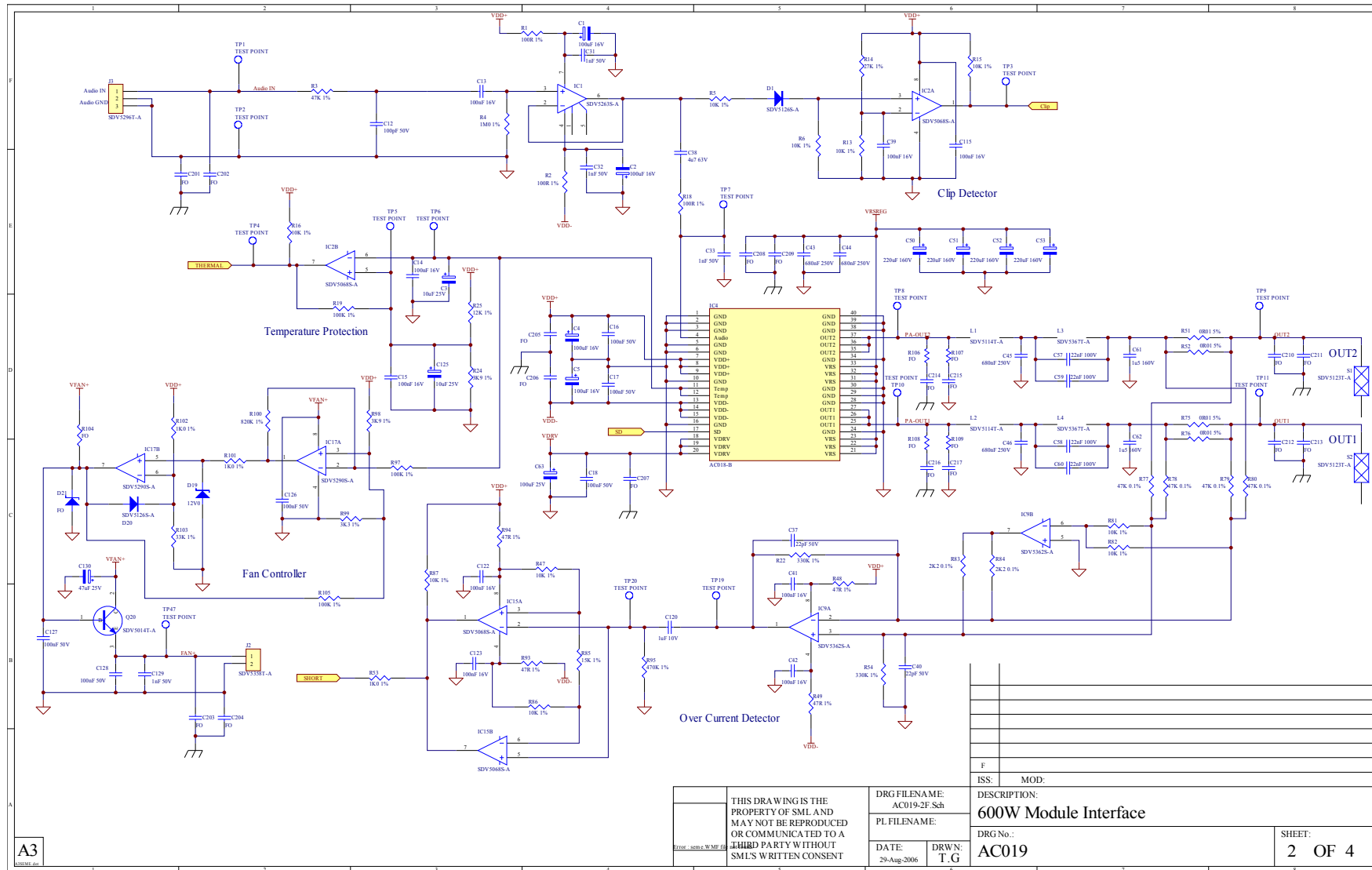


F	C109 was 1uF 50V. Added C238-249, R110, D22. Removed TP44
E	L3 & L4 were SDV5289T-A, TP45 & 22 were TP-PA3, Added Extra mounting hole. Updated BR2&3 Footprints Added J3, J4, C200-237, R106-109. Removed S10, 12, 13, 14, 15
D	R91 was 470R, C121 was 1uF 0805, R68 was 100K, C3,7,8,9 were 100uF 16V, R25 was 22K, R24 was 3K3 Corrected J1 footprint, Changed mounting of Q11&12 & IC10&12, C56 & RT1 Removed, C125 added Fan controller circuitry added
C	Short Circuit Redesign and Relayout
B	Regulator controls redesigned and Relayout
A	First Issue
ISS:	MOD:

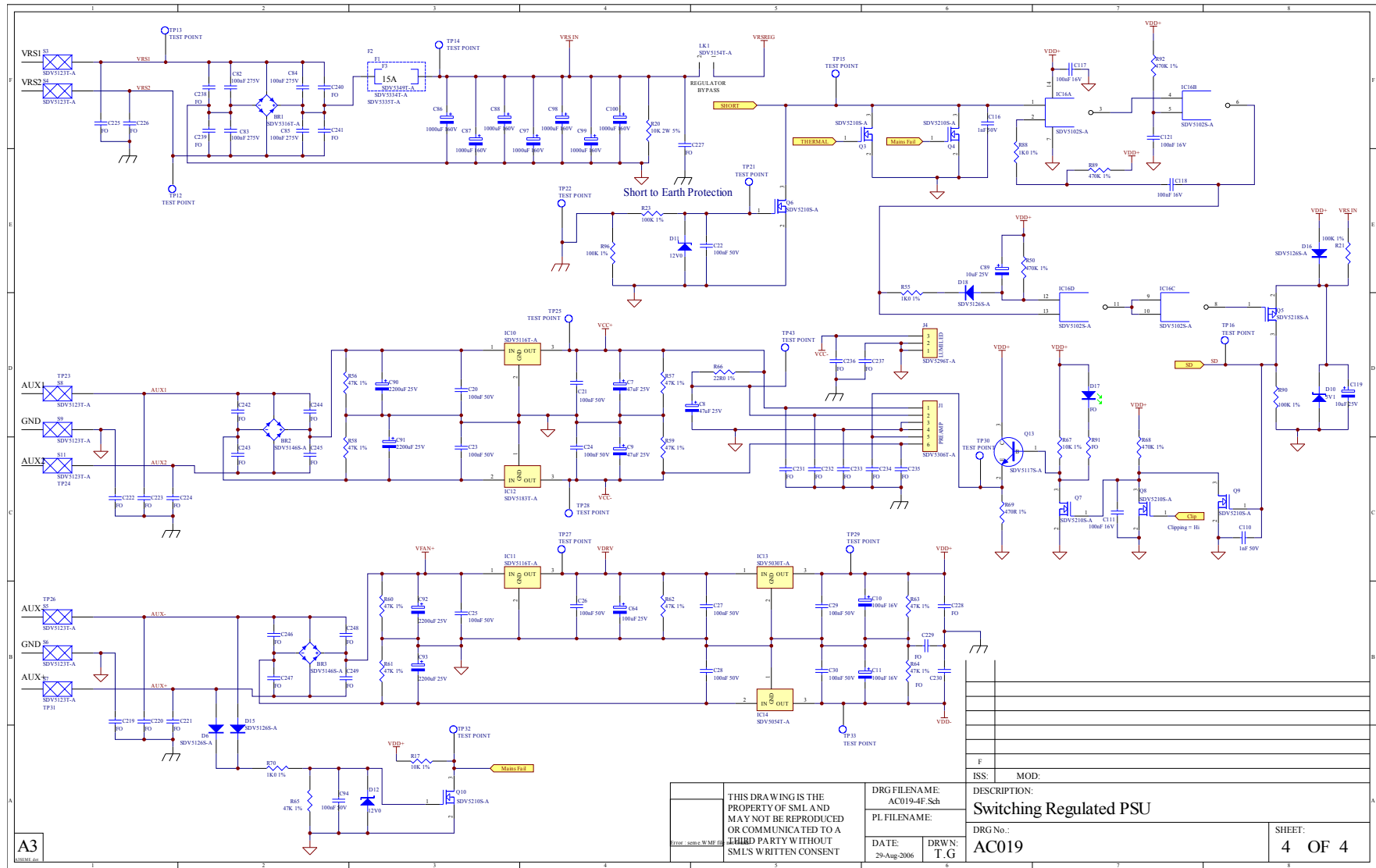
THIS DRAWING IS THE PROPERTY OF SML AND MAY NOT BE REPRODUCED OR COMMUNICATED TO A THIRD PARTY WITHOUT SML'S WRITTEN CONSENT	
DRG FILENAME: AC019-1F.Sch	PL FILENAME:
DATE: 29-Aug-2006	DRWN: T.G

DESCRIPTION: <b>Peavey 600W Interface Board</b>	
DRG No.: <b>AC019</b>	SHEET: <b>1 OF 4</b>



A3	THIS DRAWING IS THE PROPERTY OF SML AND MAY NOT BE REPRODUCED OR COMMUNICATED TO A THIRD PARTY WITHOUT SML'S WRITTEN CONSENT	DRG FILENAME:	AC019-2F.Sch	DESCRIPTION:	600W Module Interface
		PL FILENAME:			
		DATE:	29-Aug-2006	DRW:	T.G
				DRG No.:	AC019
				SHEET:	2 OF 4





THIS DRAWING IS THE PROPERTY OF SML AND MAY NOT BE REPRODUCED OR COMMUNICATED TO A THIRD PARTY WITHOUT SML'S WRITTEN CONSENT

DRG FILENAME: AC019-4F.Sch  
 PL FILENAME:  
 DATE: 29-Aug-2006  
 DRWN: T.G

DESCRIPTION:  
**Switching Regulated PSU**  
 DRG No.: AC019

SHEET:  
**4 OF 4**

A3