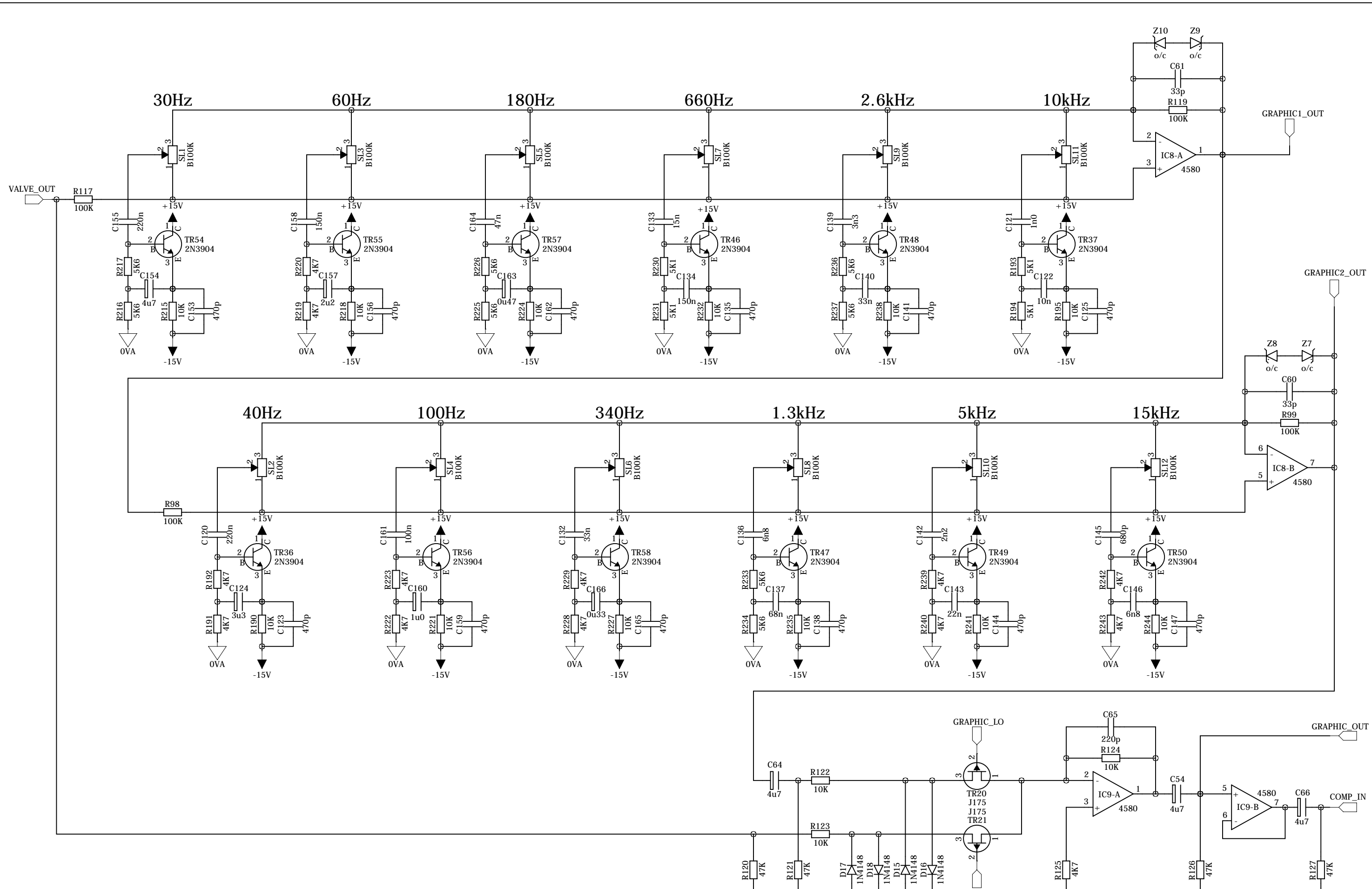


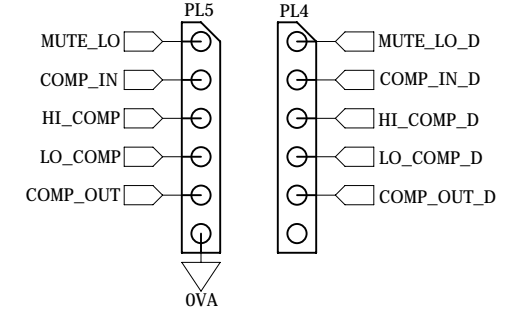
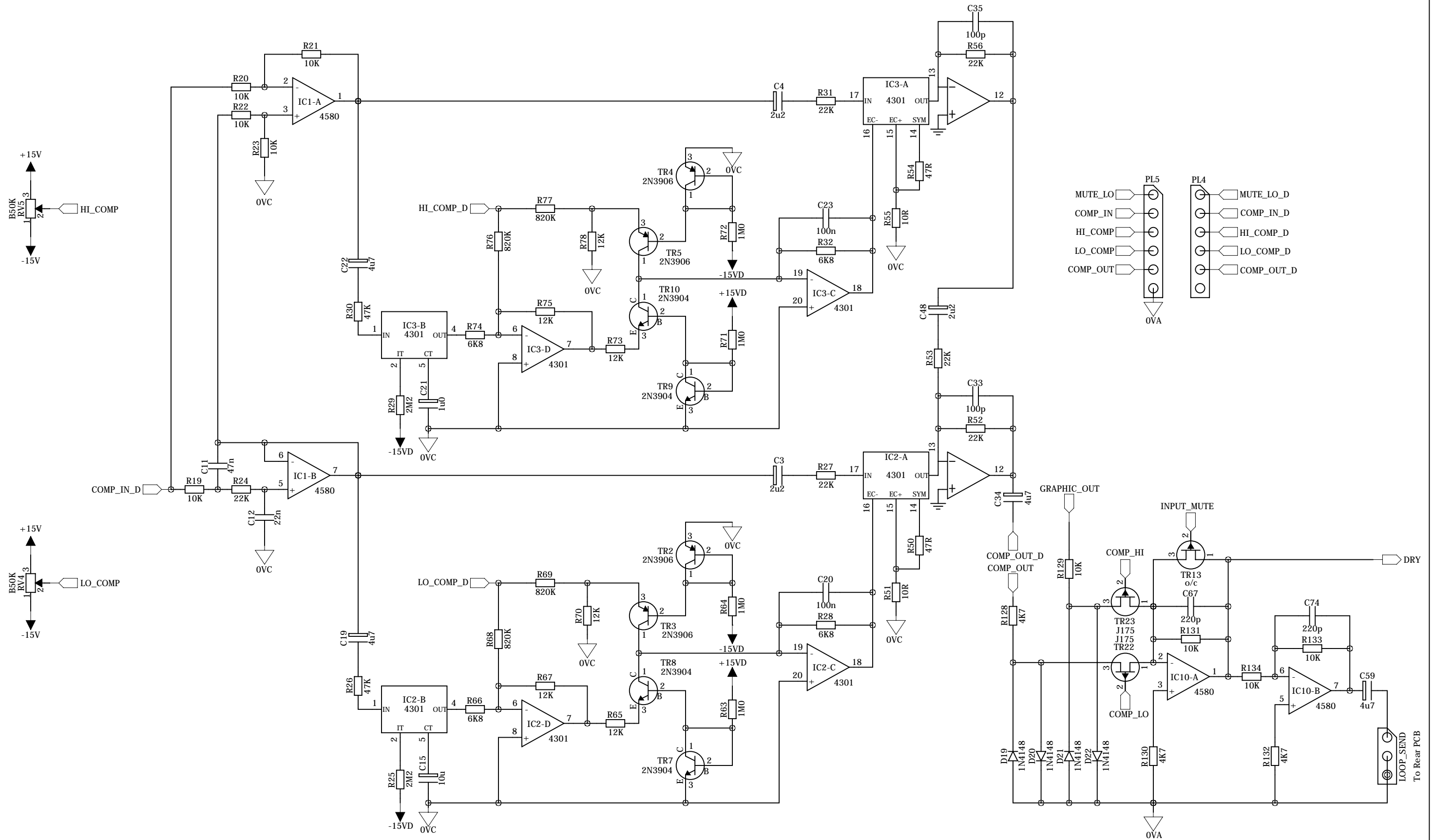
TITLE 12 Band Bass Preamp 1/5
 PROJECT Trace Elliot Bass Amp Range
 DRAWING No PTE-CD001
 ISSUE 1
 DATE 18 December 2005
 DRAWN BY Paul Stevens

TRACE ELLIOT
 Product Design & Development
 Essex
 Great Britain
 +44 (0) 777 151 3303
 paul.stevens@trace-elliott.co.uk



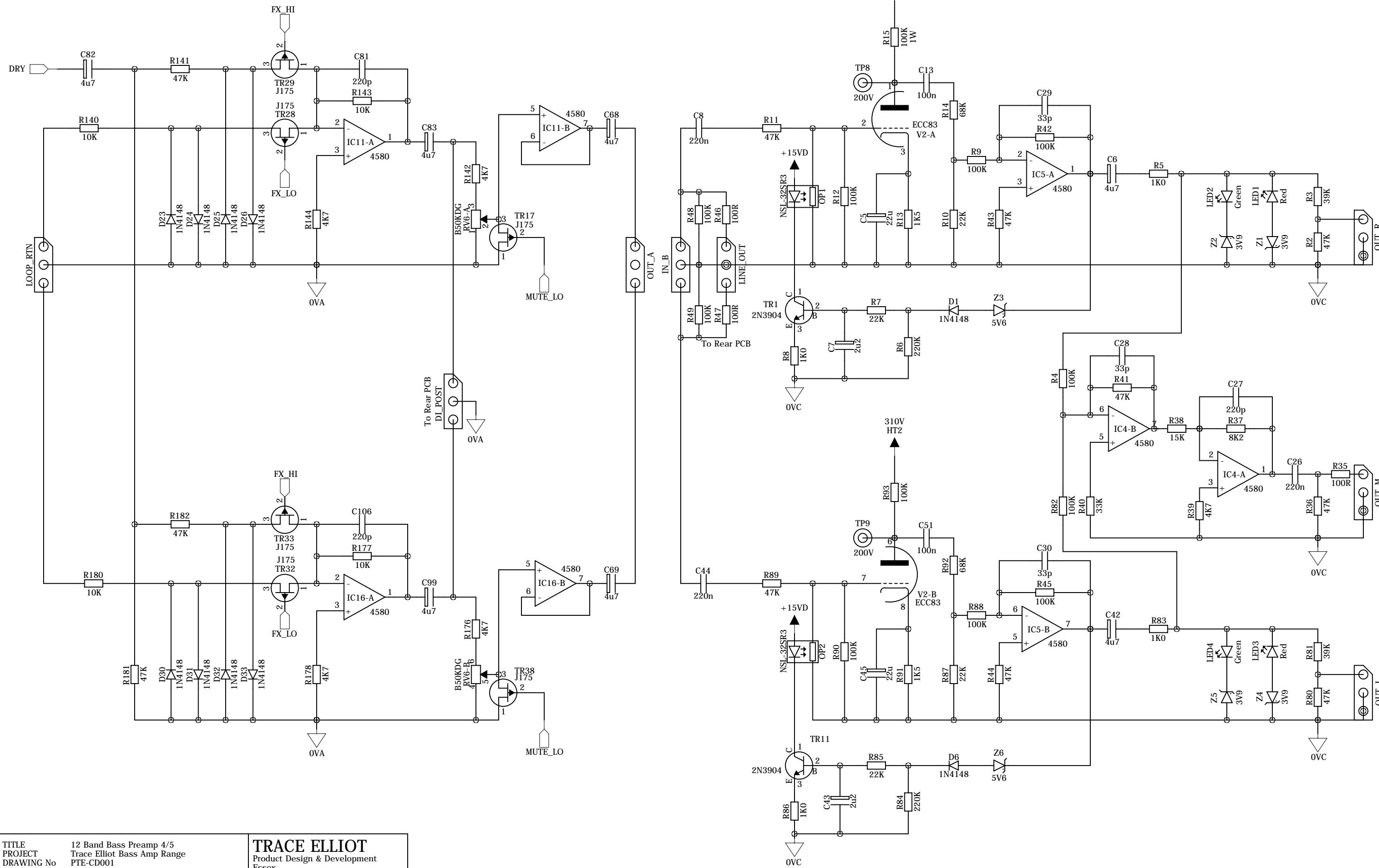
TITLE 12 Band Bass Preamp 2/5
 PROJECT Trace Elliot Bass Amp Range
 DRAWING No PTE-CD001
 ISSUE 1
 DATE 18 December 2005
 DRAWN BY Paul Stevens

TRACE ELLIOT
 Product Design & Development
 Essex
 Great Britain
 +44 (0) 777 151 3303
 paul.stevens@trace-elliott.co.uk



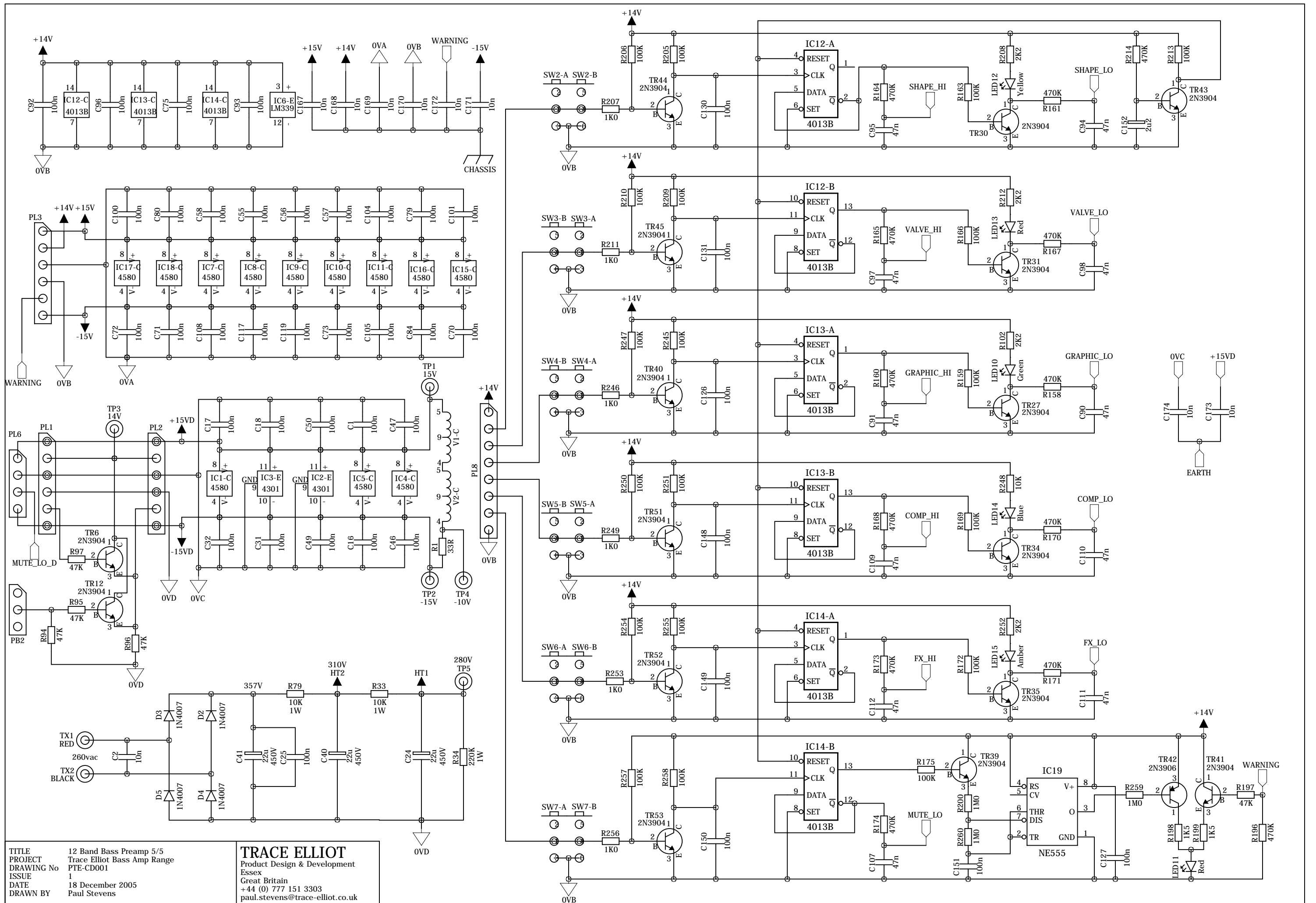
TITLE 12 Band Bass Preamp 3/5
 PROJECT Trace Elliot Bass Amp Range
 DRAWING No PTE-CD001
 ISSUE 1
 DATE 18 December 2005
 DRAWN BY Paul Stevens

TRACE ELLIOT
 Product Design & Development
 Essex
 Great Britain
 +44 (0) 777 151 3303
 paul.stevens@trace-elliott.com



TITLE 12 Band Bass Preamp 4/5
 PROJECT Trace Elliot Bass Amp Range
 DRAWING No PTE-CD001
 ISSUE 1
 DATE 18 December 2005
 DRAWN BY Paul Stevens

TRACE ELLIOT
 Product Design & Development
 Essex
 Great Britain
 +44 (0) 777 151 3303
 paul.stevens@trace-elliott.co.uk



TITLE 12 Band Bass Preamp 5/5
 PROJECT Trace Elliott Bass Amp Range
 DRAWING No PTE-CD001
 ISSUE 1
 DATE 18 December 2005
 DRAWN BY Paul Stevens

TRACE ELLIOT
 Product Design & Development
 Essex
 Great Britain
 +44 (0) 777 151 3303
 paul.stevens@trace-elliott.co.uk