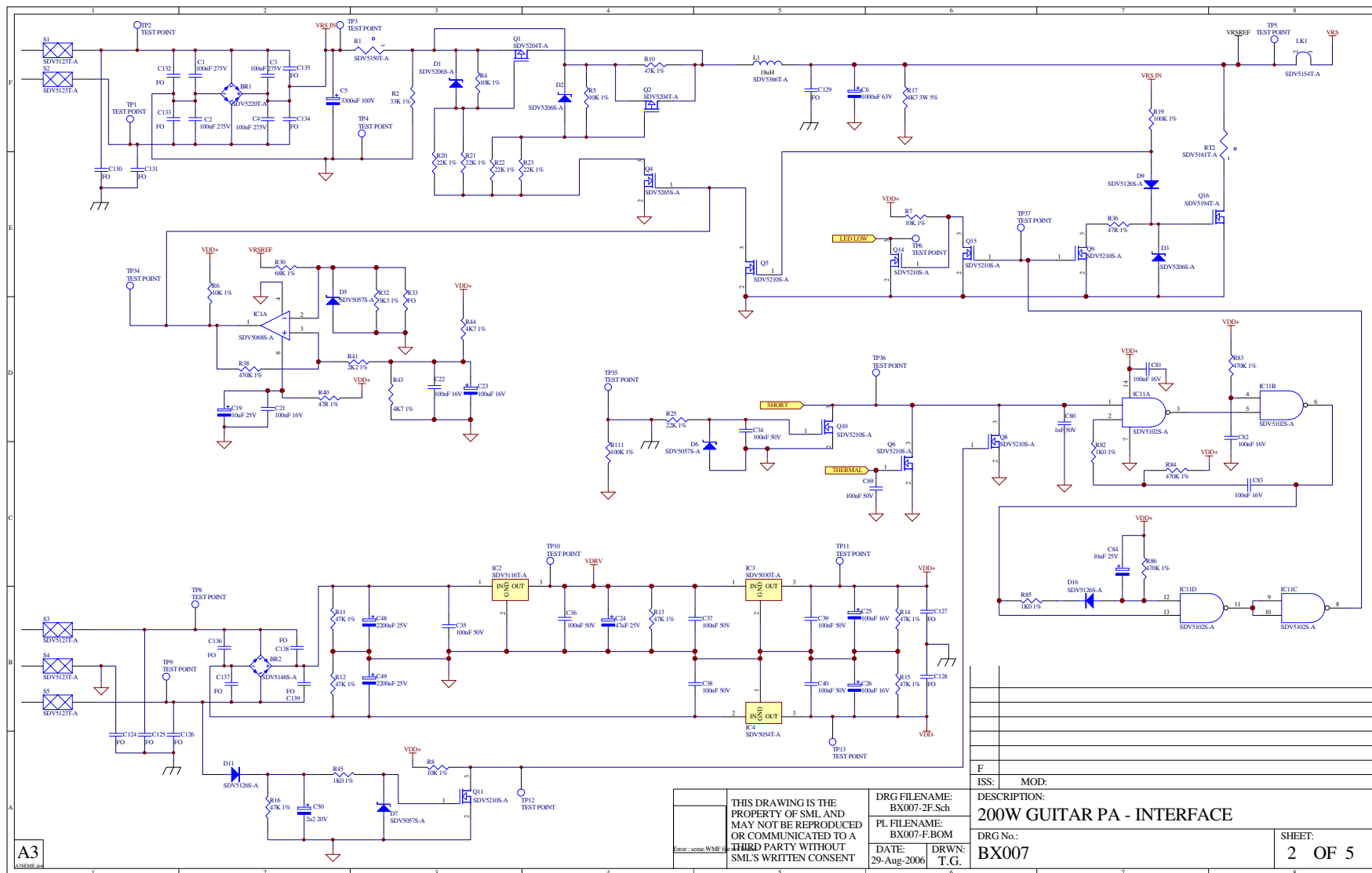


F	ADDED C132-143
E	REMOVED R81, S13-16. ADDED RT1, J2, C100-131, J3, J4, R113
D	L1, L2, L3, L4, L5, BR2 & BR3 FOOTPRINTS CHANGED
C	TP34-39 ADDED: C18 & R18 REMOVED: R19 WAS 22K; C82 WAS 1UF 10V; C24 WAS 100UF 16V; R104 WAS 10K; R112 WAS 470R; R78 WAS 10K; R65 WAS 47K; R69 WAS 33K; C92 ADDED
B	J1 FOOTPRINT CHANGED: R30 WAS 100K; R32 WAS 5K6; R65 WAS 39K; IC10 WAS SDV5054T-A; IC8 PINS 1&4 CONNECTED: D18 & 19 REMOVED;
	C79 & R81 ADDED
A	FIRST ISSUE
ISS:	MOD:

	THIS DRAWING IS THE PROPERTY OF SML AND MAY NOT BE REPRODUCED OR COMMUNICATED TO A THIRD PARTY WITHOUT SML'S WRITTEN CONSENT	DRG FILENAME: BX007-1F.Sch
		PL FILENAME: BX007-F.BOM
		DATE: 29-Aug-2006
		DRWN: T.G.

DESCRIPTION: 200W GUITAR PA
DRG No.: BX007

SHEET:
1 OF 5



A3

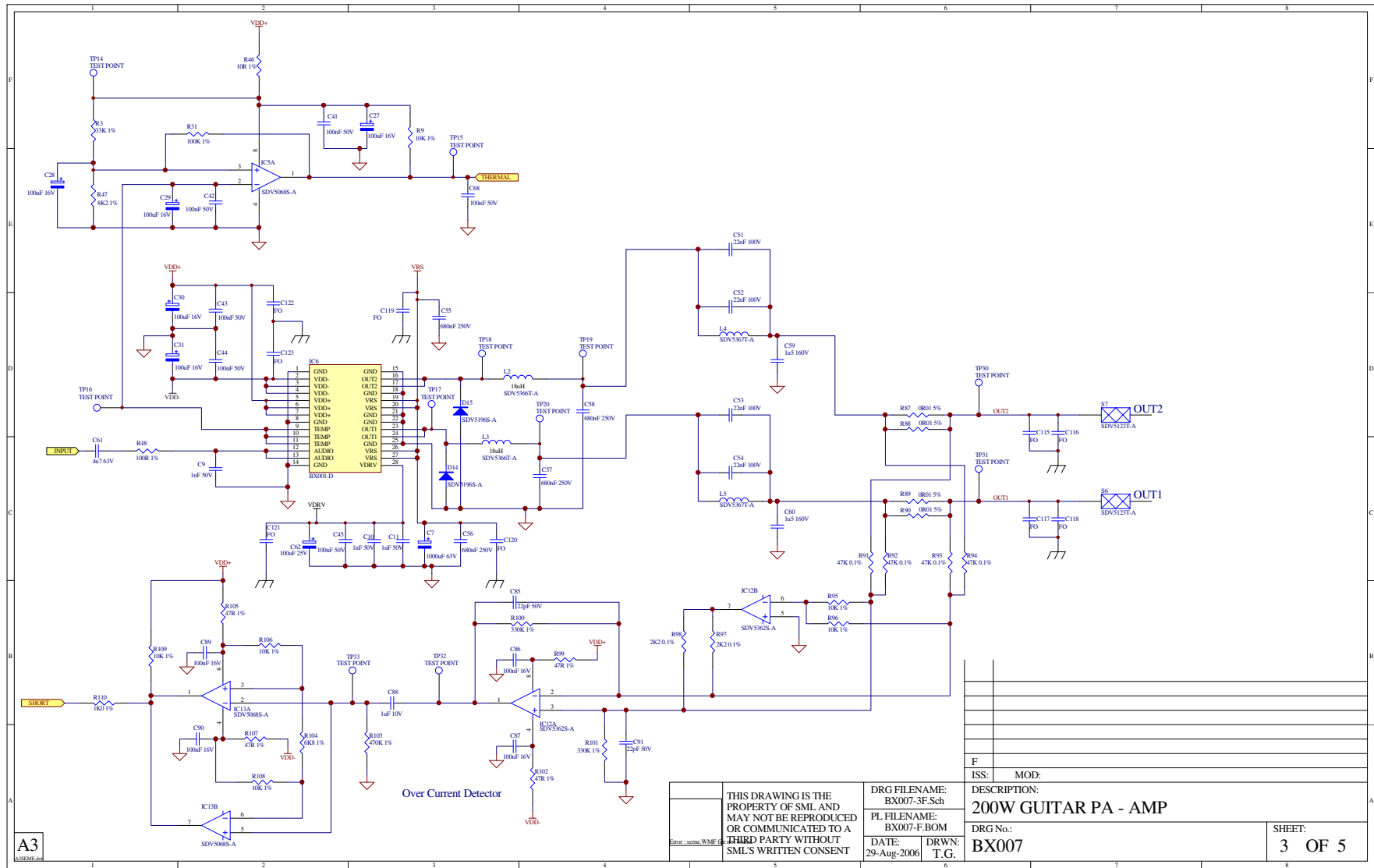
THIS DRAWING IS THE PROPERTY OF SML AND MAY NOT BE REPRODUCED OR COMMUNICATED TO A THIRD PARTY WITHOUT SML'S WRITTEN CONSENT

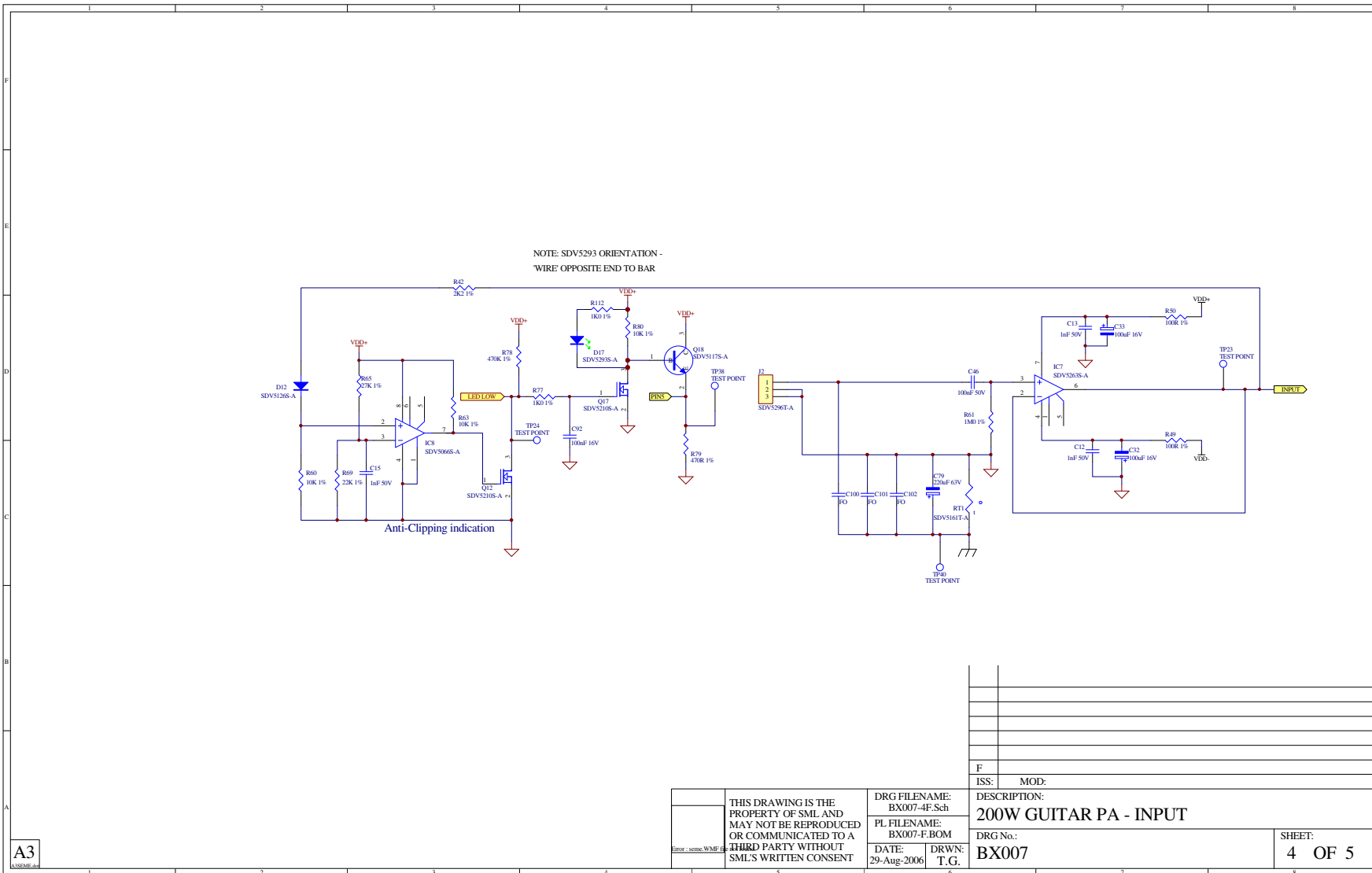
DRG FILENAME: BX007-2F.Sch
 PL FILENAME: BX007-F.BOM
 DATE: 29-Aug-2006
 DRWN: T.G.

DESCRIPTION:
200W GUITAR PA - INTERFACE

DRG No.:
BX007

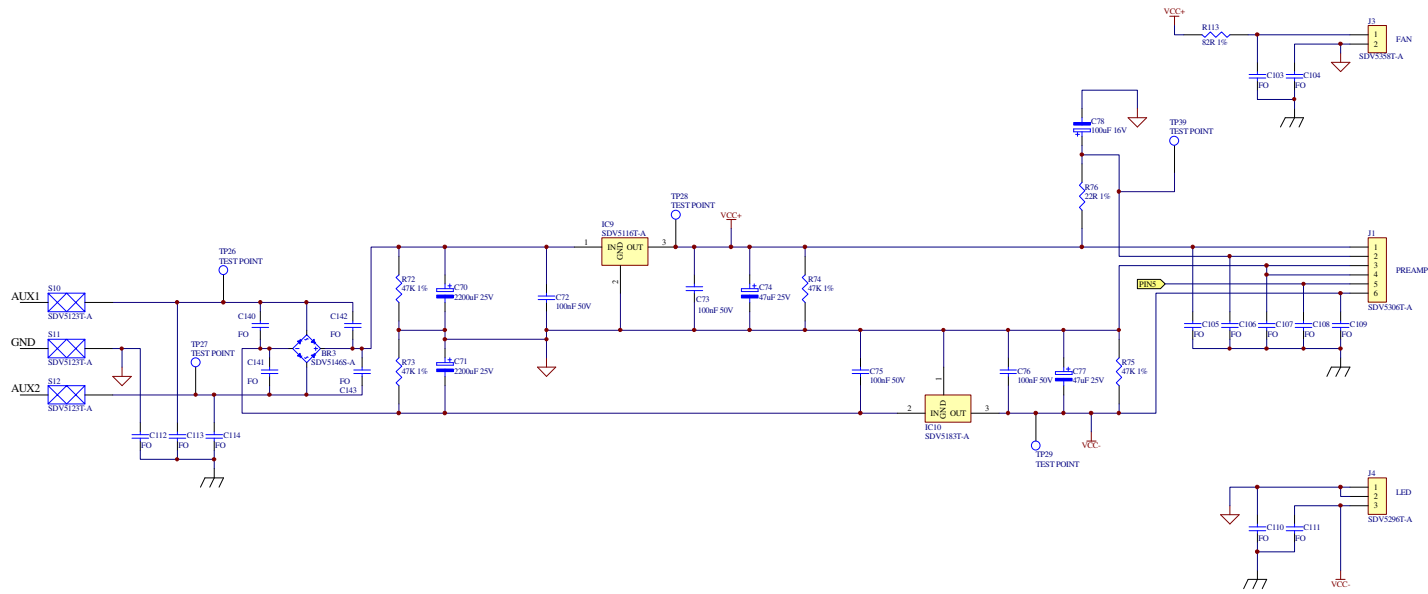
SHEET:
2 OF 5





	THIS DRAWING IS THE PROPERTY OF SML AND MAY NOT BE REPRODUCED OR COMMUNICATED TO A THIRD PARTY WITHOUT SML'S WRITTEN CONSENT		DRG FILENAME: BX007-4F.Sch		DESCRIPTION: 200W GUITAR PA - INPUT	
	PL FILENAME: BX007-F.BOM		DATE: 29-Aug-2006		DRG No.:	
	DRWN: T.G.				SHEET: 4 OF 5	
		ISS:		MOD:		

A3



F		ISS:		MOD:	
DESCRIPTION:		200W GUITAR PA - AUX POWER			
DRG No.:		BX007			
SHEET:		5 OF 5			

THIS DRAWING IS THE PROPERTY OF SML AND MAY NOT BE REPRODUCED OR COMMUNICATED TO A THIRD PARTY WITHOUT SML'S WRITTEN CONSENT		DRG FILENAME: BX007-5F.Sch	
		PL FILENAME: BX007-F.BOM	
DATE: 29-Aug-2006		DRWN: T.G.	

A3
459298.dwg