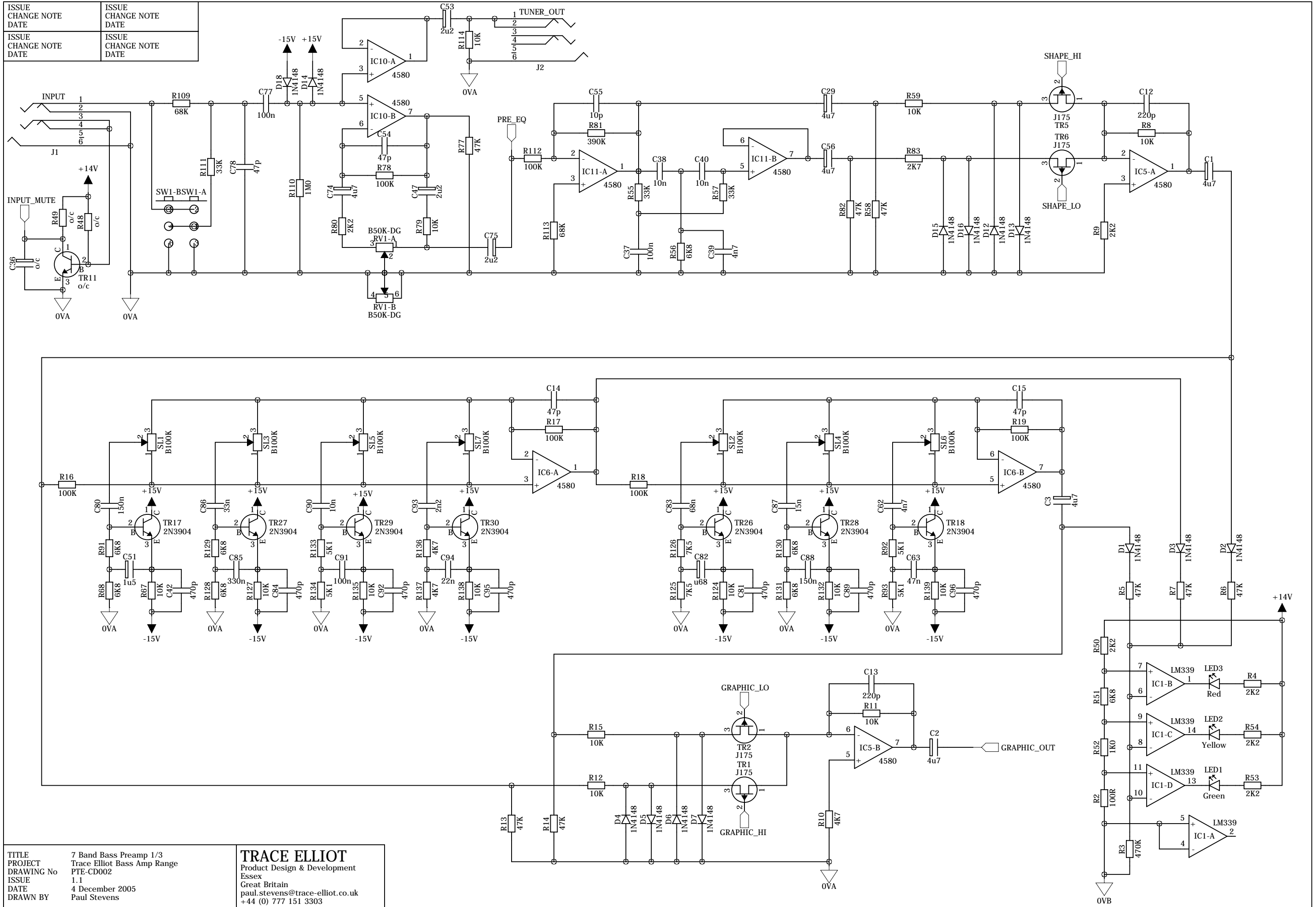


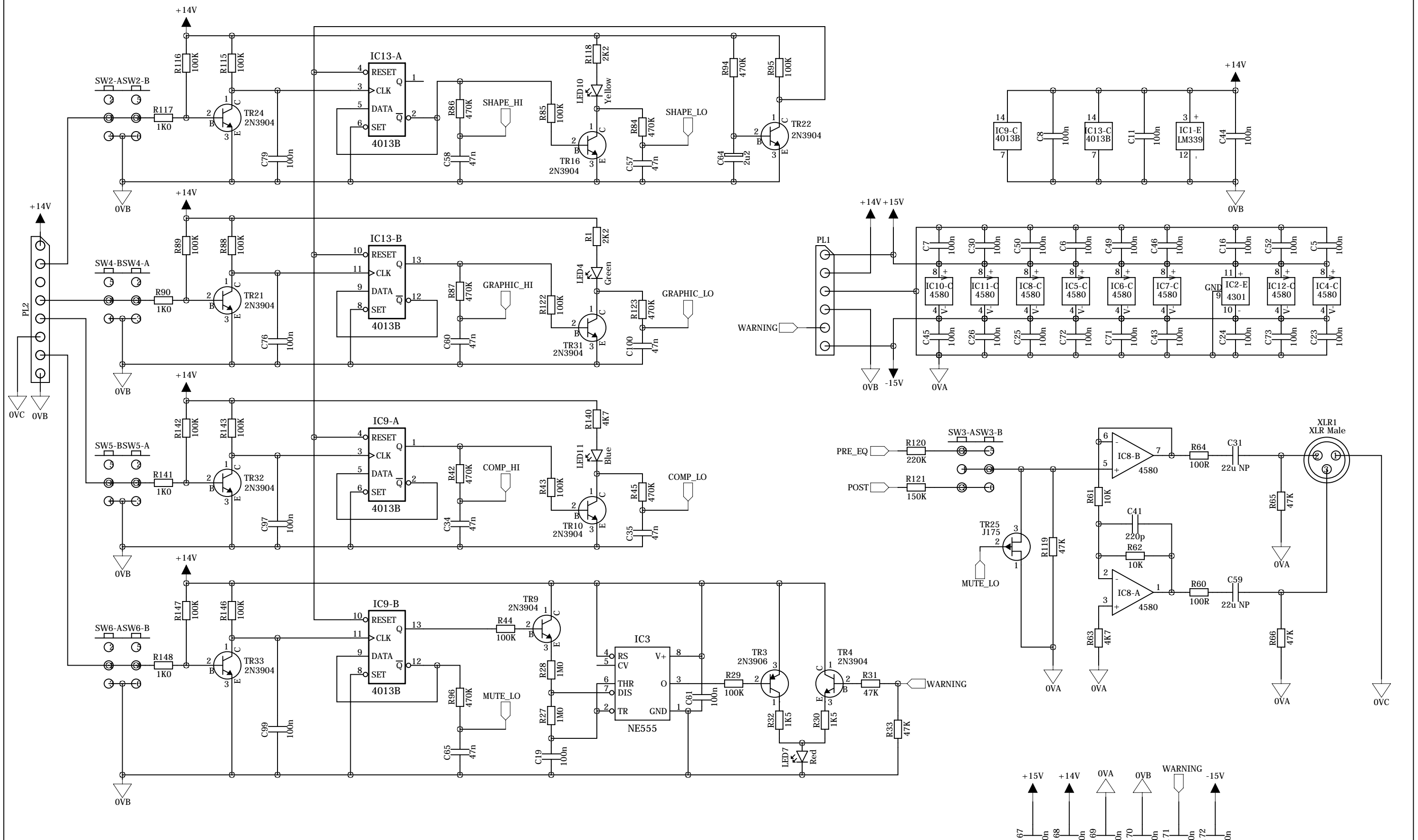
ISSUE CHANGE NOTE DATE	ISSUE CHANGE NOTE DATE
ISSUE CHANGE NOTE DATE	ISSUE CHANGE NOTE DATE



TITLE 7 Band Bass Preamp 1/3
 PROJECT Trace Elliot Bass Amp Range
 DRAWING No PTE-CD002
 ISSUE 1.1
 DATE 4 December 2005
 DRAWN BY Paul Stevens

TRACE ELLIOT
 Product Design & Development
 Essex
 Great Britain
 paul.stevens@trace-elliott.co.uk
 +44 (0) 777 151 3303

ISSUE CHANGE NOTE DATE	ISSUE CHANGE NOTE DATE	ISSUE CHANGE NOTE DATE
ISSUE CHANGE NOTE DATE	ISSUE CHANGE NOTE DATE	ISSUE CHANGE NOTE DATE

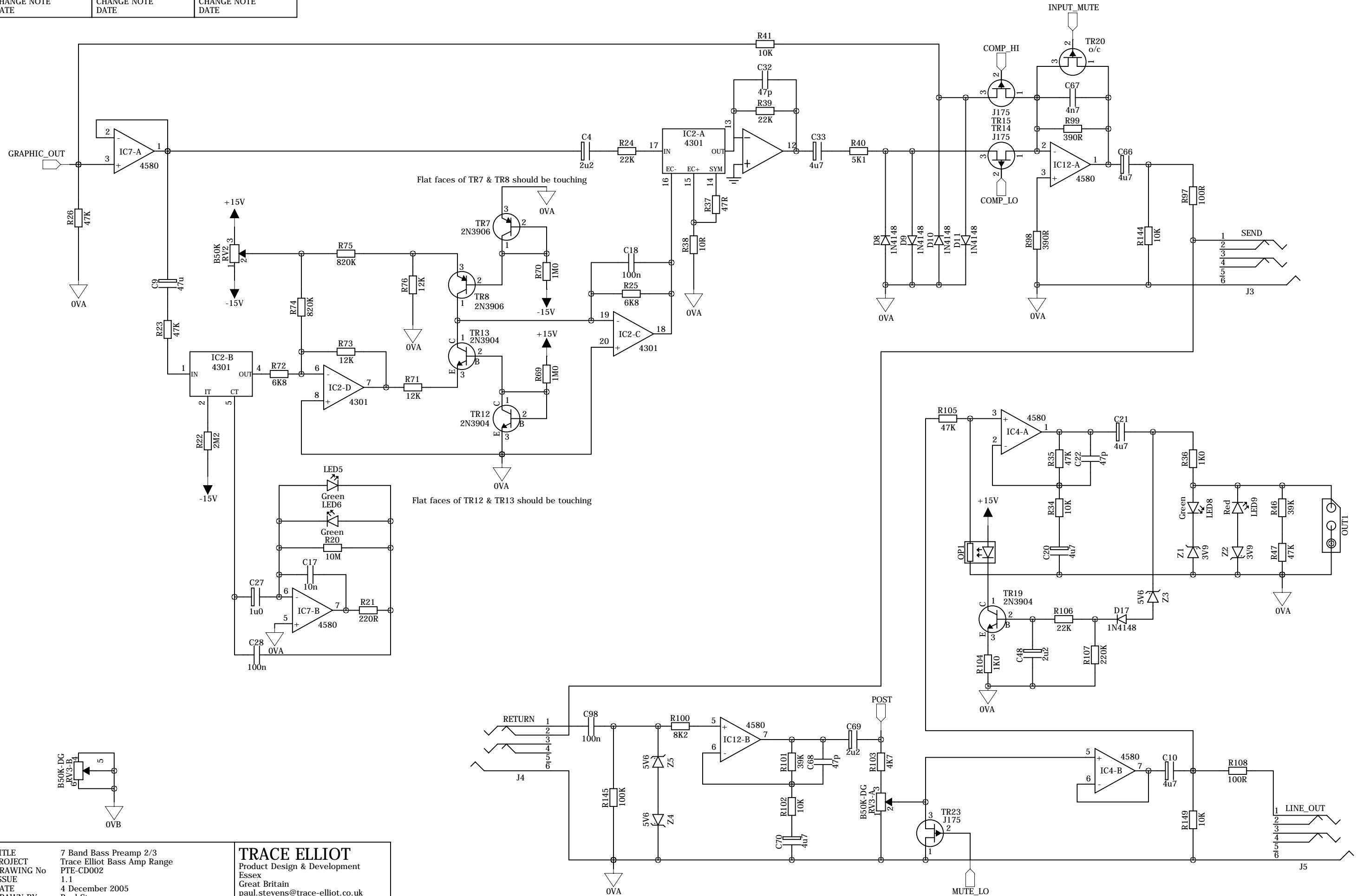


TITLE
PROJECT
DRAWING No
ISSUE
DATE
DRAWN BY

7 Band Bass Preamp 3/3
Trace Elliot Bass Amp Range
PTE-CD002
1.1
4 December 2005
Paul Stevens

TRACE ELLIOT
Product Design & Development
Essex
Great Britain
paul.stevens@trace-elliott.co.uk
+44 (0) 777 151 3303

ISSUE CHANGE NOTE DATE	ISSUE CHANGE NOTE DATE	ISSUE CHANGE NOTE DATE
ISSUE CHANGE NOTE DATE	ISSUE CHANGE NOTE DATE	ISSUE CHANGE NOTE DATE



TITLE 7 Band Bass Preamp 2/3
 PROJECT Trace Elliot Bass Amp Range
 DRAWING No PTE-CD002
 ISSUE 1.1
 DATE 4 December 2005
 DRAWN BY Paul Stevens

TRACE ELLIOT
 Product Design & Development
 Essex
 Great Britain
 paul.stevens@trace-elliott.co.uk
 +44 (0) 777 151 3303