

REV	Eng	Date:	Revision Description	ECN#
A				
B				
C				
D				
E				
F				


INDEX

SHEET	DESCRIPTION
2	DSP / SRAM
3	Codec / Analog filters
4	Host processor
5	Connector, regulators

This page blank

Company Proprietary Information

Note: All thru hole Resistors are 1/4 Watt unless otherwise indicated.
 All SMT 1206 Resistors are 1/4 Watt.
 All SMT 0805 Resistors are 1/10 Watt.
 Note Capacitor Values are indicated as Follows:
 val P = pF (picoFarads) val * 10 exp-12
 val N = nF (nanoFarads) val * 10 exp-9 (1N=1000pF, 100N=0.1uF)
 val U = uF (microFarads) val * 10 exp-6



Peavey Electronics Corp.
 P. O. Box 2898
 Meridian, MS 39301

Product:
TRACE_DSP

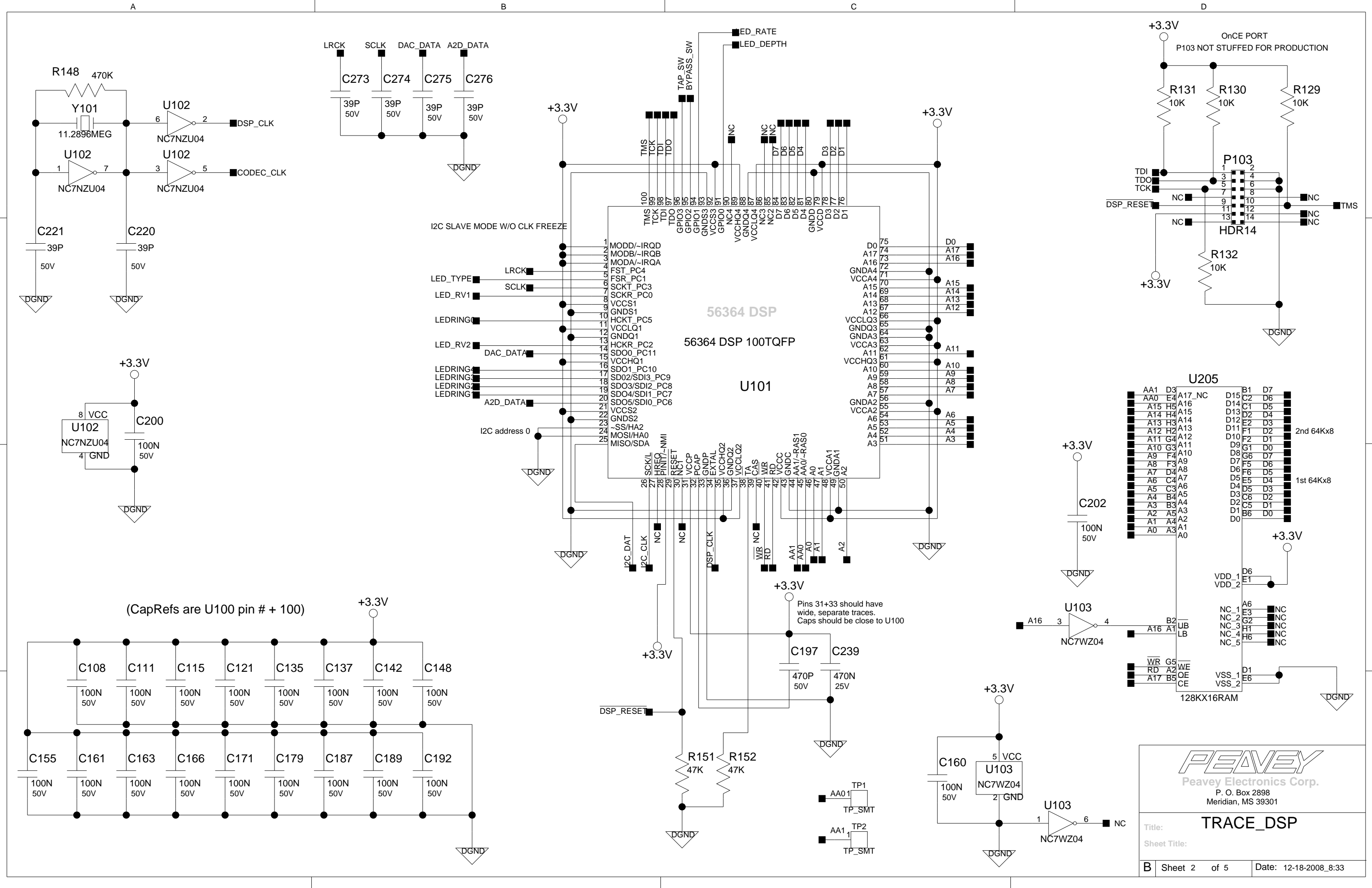
Title:

Project Number: P0500057 (65EFX)

Eng: Release Date:

B Sheet 1 of 5 Saved: 12-18-2008_8:33

Patents:
 Copyright Peavey Electronics Corporation 2008.

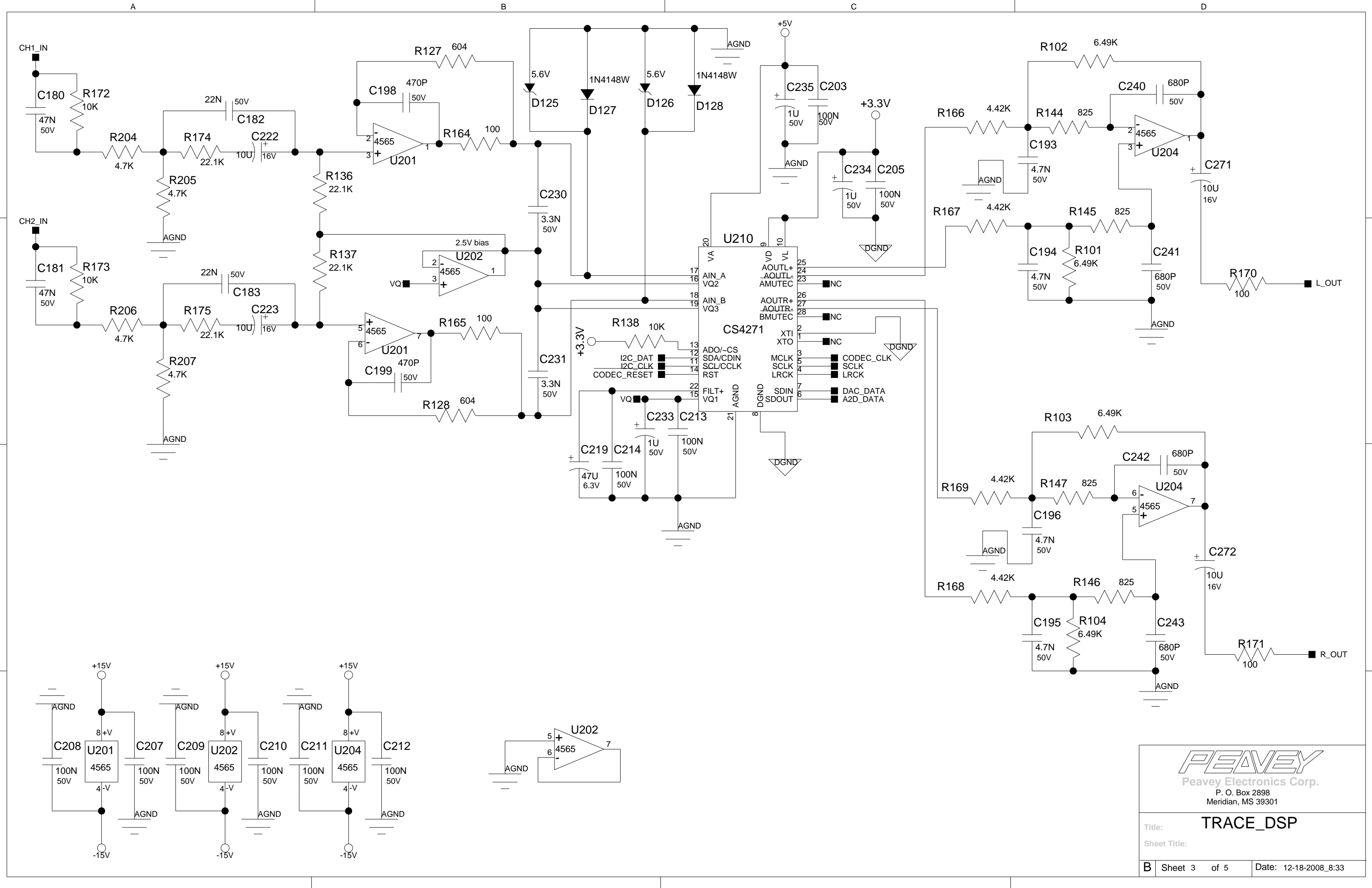


PEAVEY
Peavey Electronics Corp.
P. O. Box 2898
Meridian, MS 39301

Title: TRACE_DSP

Sheet Title:

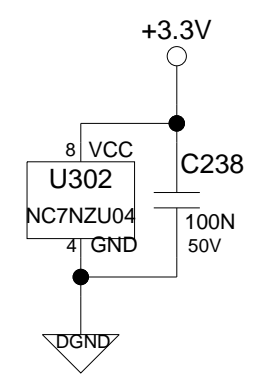
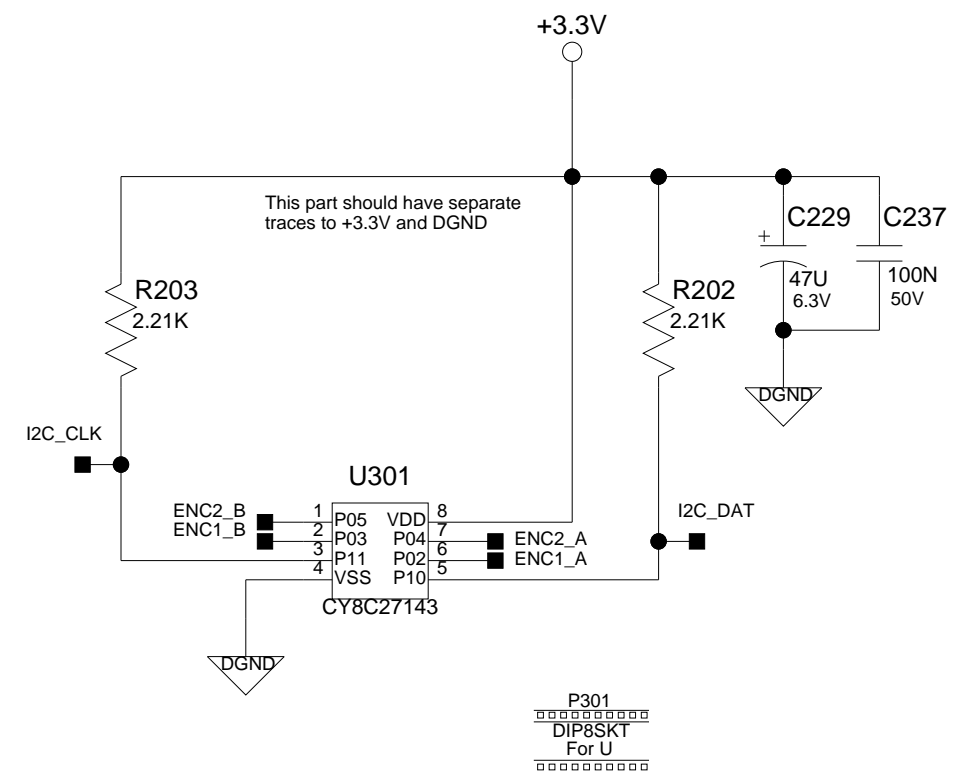
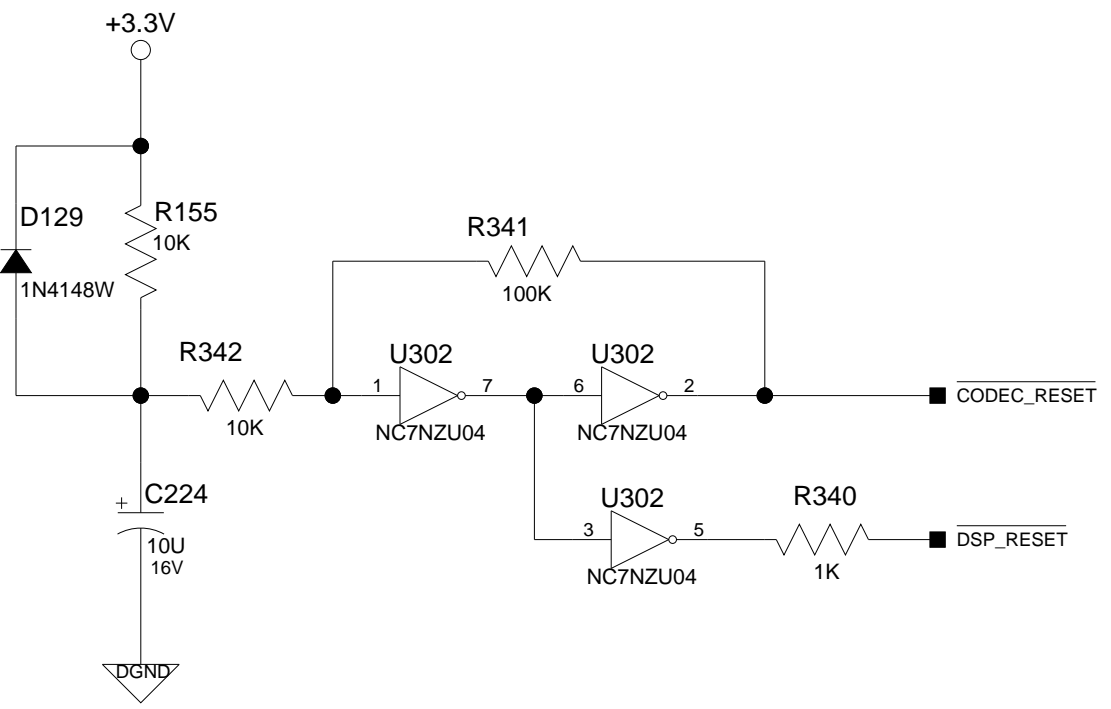
B Sheet 2 of 5 Date: 12-18-2008_8:33



Title: **TRACE_DSP**

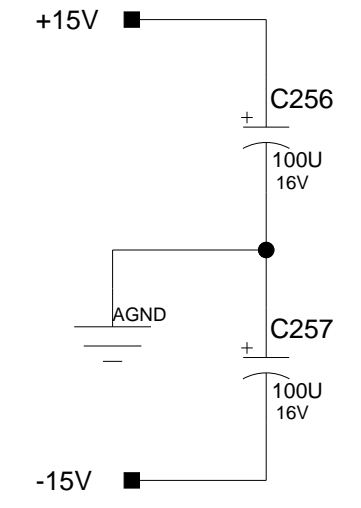
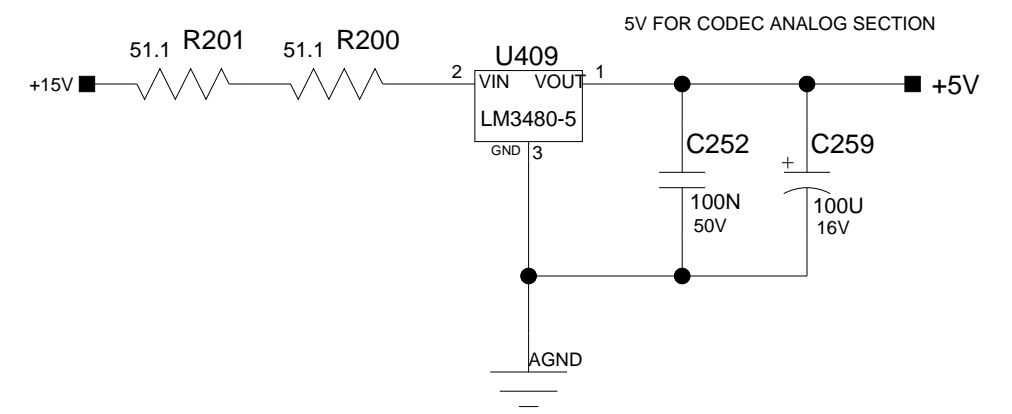
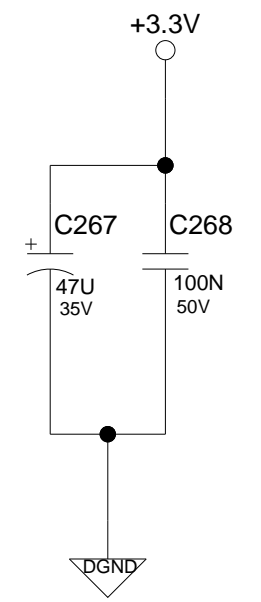
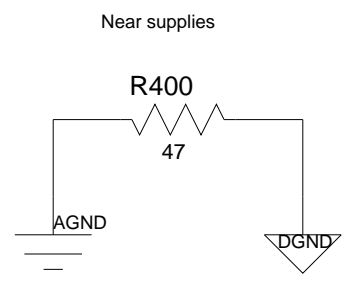
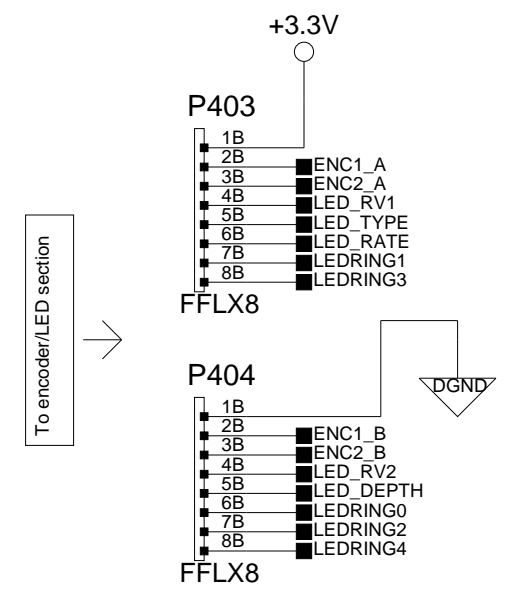
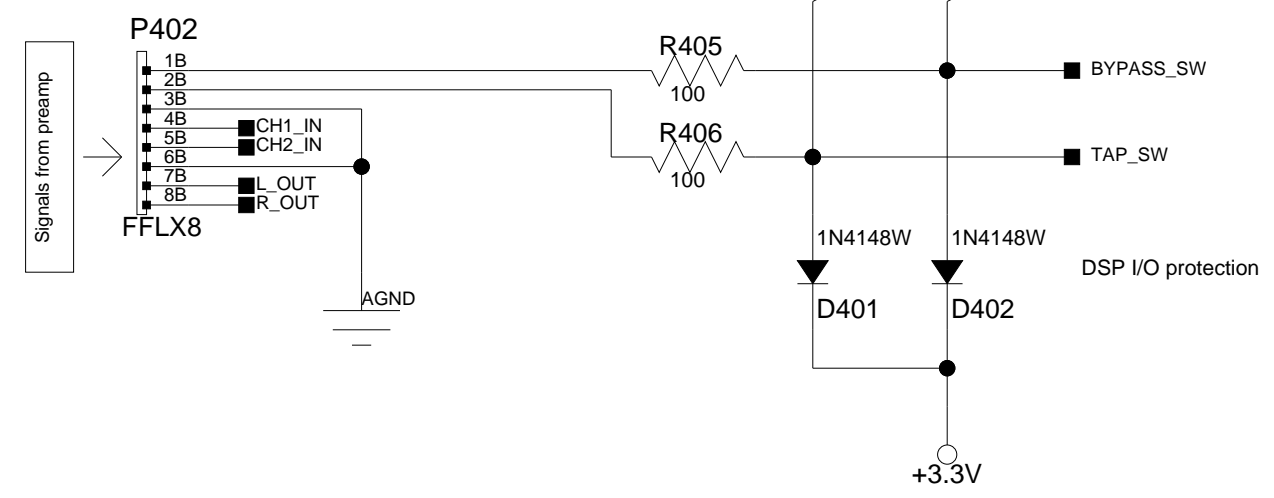
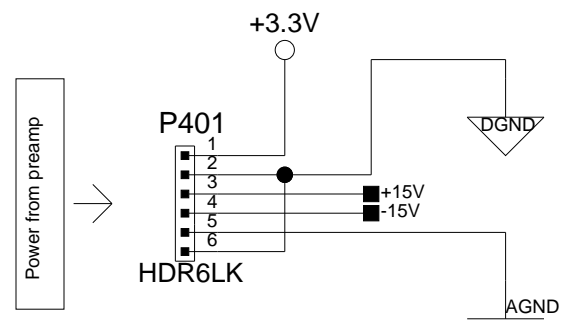
Sheet Title:

B Sheet 3 of 5 Date: 12-18-2008_8:33



Title: TRACE_DSP

Sheet Title:



ONLY STUFF ONE OF THESE TO DEFINE PIN 4, DEPENDING ON PROJECT NEED (EXTRA SWITCH INPUT OR EXTRA SIGNAL OUTPUT)

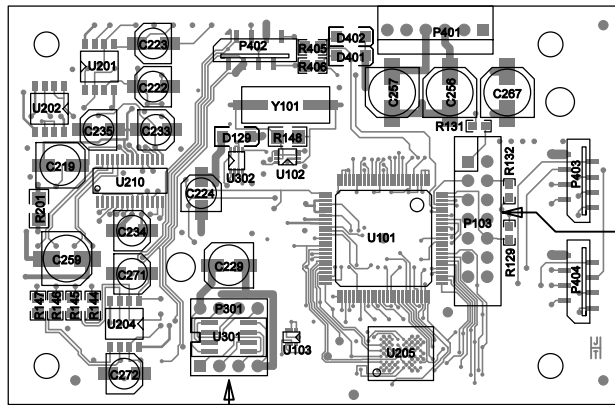


Title: **TRACE_DSP**

Sheet Title:

B Sheet 5 of 5 Date: 12-18-2008_8:33

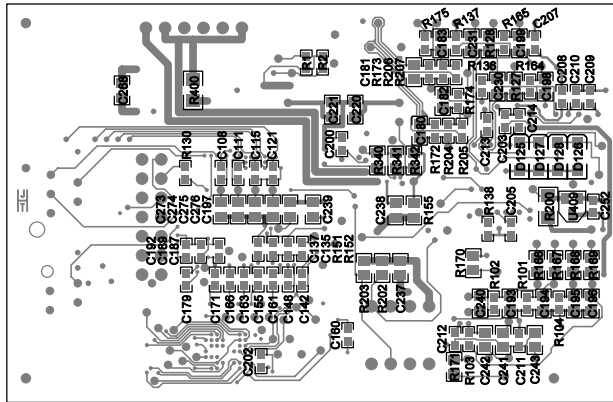
PRIMARY SIDE VIEW



DO NOT STUFF

U301 IS SOCKETED
(SOCKET IS P301)

SECONDARY SIDE VIEW



BILL OF MATERIAL REPORT

REPORT DATE/TIME: 12/18/2008 1:33:00 PM

BOARD NAME: TA DSP ASSEMBLY LEVEL NUMBER: 29098560

PROJECT NUMBER: E0700003 DESIGNER: JTH - 32101324D

Qty.	Part #	Description	Reference Designators
--			
1	30200035	470K 1/4W 5% MF 1206	R148
2	30200107	51.1 1/4W 1% MF 1206	R200 R201
2	30200174	10K 1/10W 1% MF 0805	R155 R342
4	30200181	100 1/10W 1% MF 0805	R170 R171 R405 R406
2	30200186	604 1/10W 1% MF 0805	R127 R128
1	30200188	1.00K 1/10W 1% MF 0805	R340
1	30200194	100K 1/10W 1% MF 0805	R341
2	30200267	2.21K 1/10W 1% MF 0805	R202 R203
2	30200287	100 1/10W 1% MF 0603	R164 R165
8	30200289	10K 1/10W 1% MF 0603	R2 R129 R130 R131 R132 R138 R172 R173
4	30200296	22.1K 1/10W 1% MF 0603	R136 R137 R174 R175
4	30200310	4.7K 1/10W 5% MF 0603	R204 R205 R206 R207
2	30200313	47K 1/10W 5% MF 0603	R151 R152
4	30200318	6.49K 1/10W 1% MF 0603	R101 R102 R103 R104
4	30200343	825 1/10W 1% MF 0805	R144 R145 R146 R147
1	30200365	47 1/4W 5% FUSIBLE 1206	R400
4	30200392	4.42K 1/10W 1% MF 0805	R166 R167 R168 R169

1	30200476	1M 1/10W 1% MF 0603	R1
1	30300079	47UF 35V 20% EL SMT6	C267
5	30300080	10UF 16V 20% EL SMT4	C222 C223 C224 C271 C272
3	30300081	1UF 50V 20% EL SMT4	C233 C234 C235
3	30300083	100UF 16V 20% EL SMT6	C256 C257 C259
3	30300085	0.1UF 50V 20% Z5U 0805	C237 C238 C268
6	30300087	39PF 50V 5% NPO 0805	C220 C221 C273 C274 C275 C276
3	30300090	470PF 50V 5% NPO 0805	C197 C198 C199
2	30300118	47UF 6.3V 20% EL SMT5	C219 C229
31	30300128	0.1UF 50V 10% Y5V 0603	C108 C111 C115 C121 C135 C137 C142 C148 C155 C160 C161 C163 C166 C171 C179 C187 C189 C192 C200 C202 C203 C205 C207 C208 C209 C210 C211 C212 C213 C214 C252
2	30300145	3300PF 50V 5% X7R 0805	C230 C231
4	30300147	680PF 50V 5% NPO 0805	C240 C241 C242 C243
2	30300148	0.022UF 50V 5% X7R 0805	C182 C183
4	30300161	4700PF 50V 5% X7R 0805	C193 C194 C195 C196
2	30300171	0.047UF 50V 5% X7R 0805	C180 C181
1	30300217	0.47UF 25V 5% X7R 0805	C239
1	30418263	LM3480 5V LINEAR REG -SMT	U409
5	30418328	1N4148W SWITCHING DIODE	D127 D128 D129 D401 D402
1	30418487	56364 DSP 100TQFP	U101
1	30418491	CS4271 STEREO CODEC	U210
3	30418506	4565 DUAL OPAMP SOIC8W	U201 U202 U204
2	30418546	5.6V ZENER (SOD123)-SMT	D125 D126
1	30418599	128K X 16 SRAM BGA 12NS	U205

1	30418620	NC7WZ04 DUAL HS INVERTER SC7	U103
2	30418621	NC7NZU04 TRIPLE TINY INVERTER	U102 U302
1	30418800	PSOC CY8C27143 PROG TRACE ACC	U301
1	30800043	CRYSTAL 11.2896MHZ SMT	Y101
1	31466038	8 PIN DIP IC SOCKET	P301
1	33717123	6 HDR V SR .100" TIN LK	P401
3	33719154	8 FLT FLX 1.0MM CONN SMT	P402 P403 P404

END OF BILL OF MATERIAL REPORT
