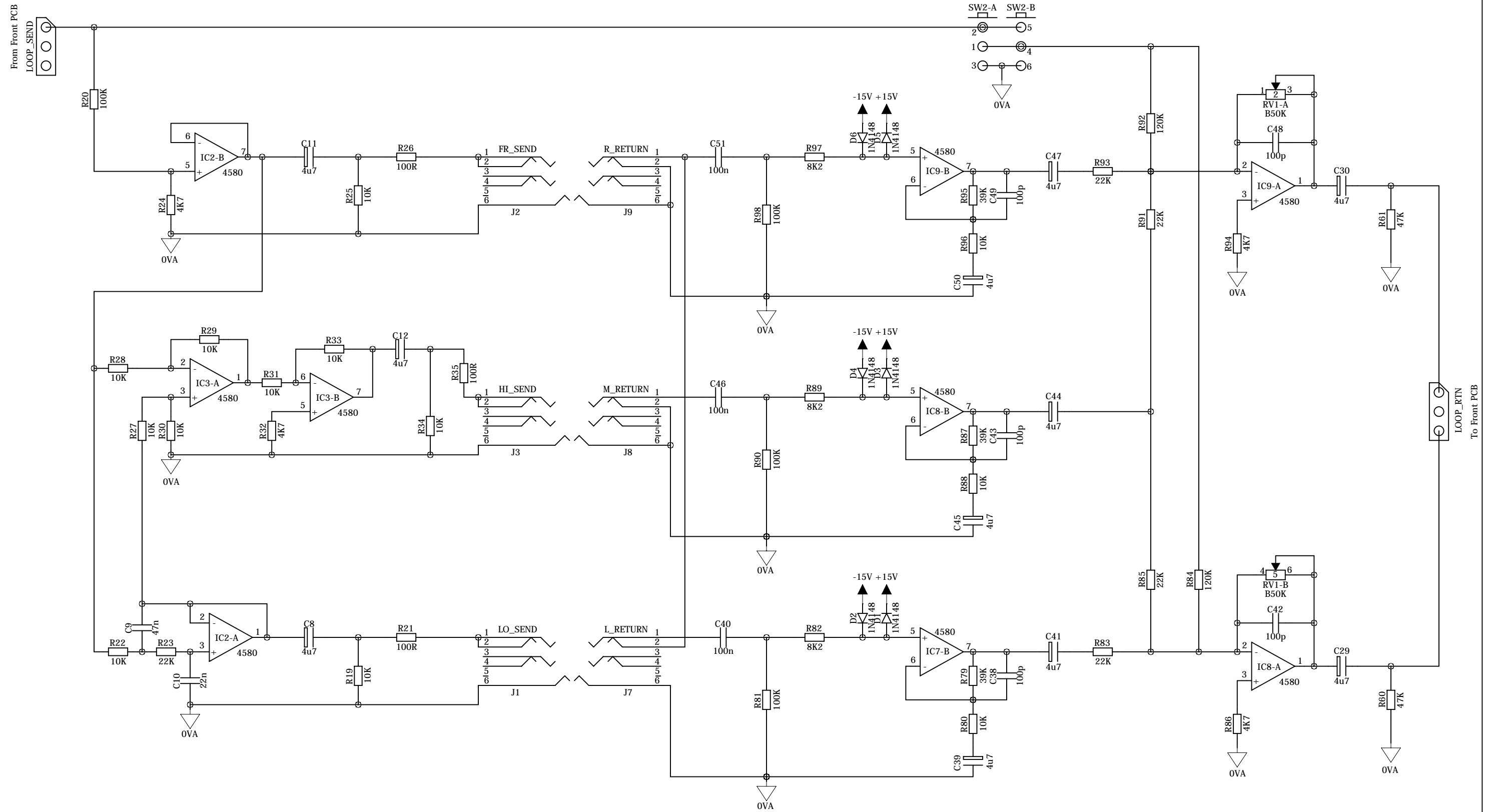


ISSUE CHANGE NOTE DATE	ISSUE CHANGE NOTE DATE	ISSUE CHANGE NOTE DATE
ISSUE CHANGE NOTE DATE	ISSUE CHANGE NOTE DATE	ISSUE CHANGE NOTE DATE

EFFECTS LOOPS

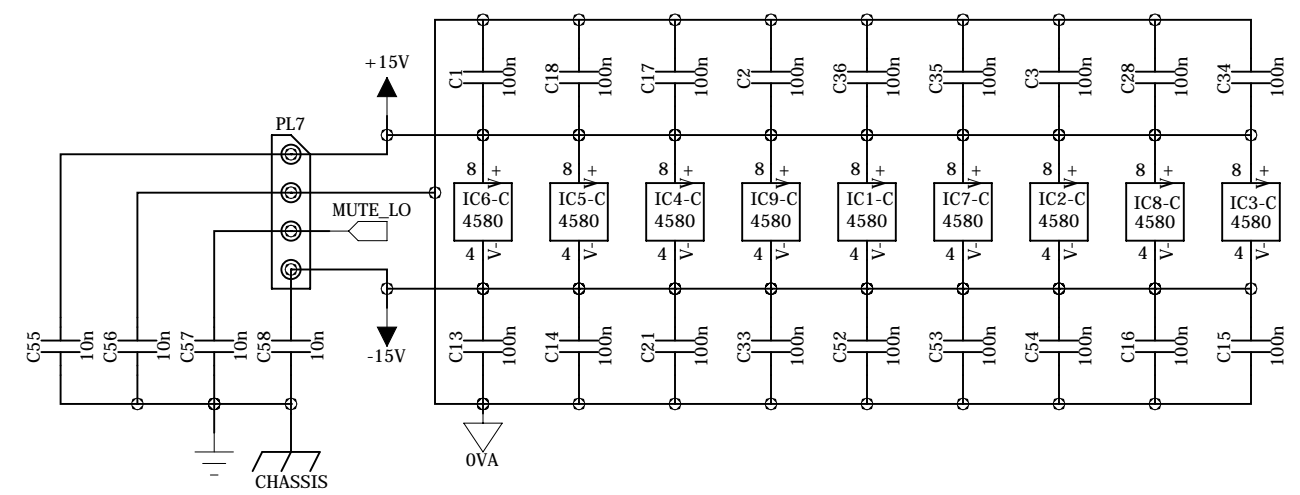
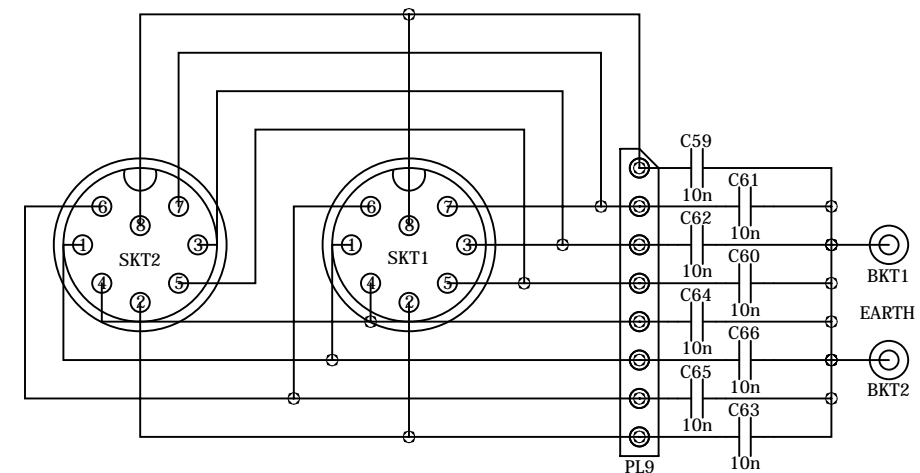
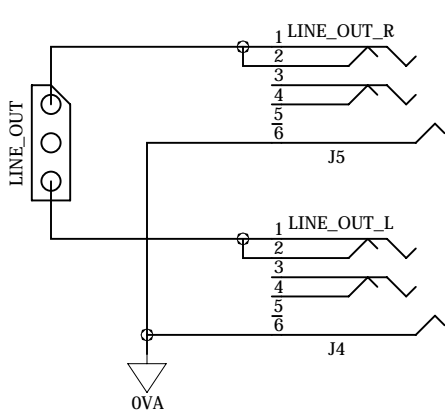
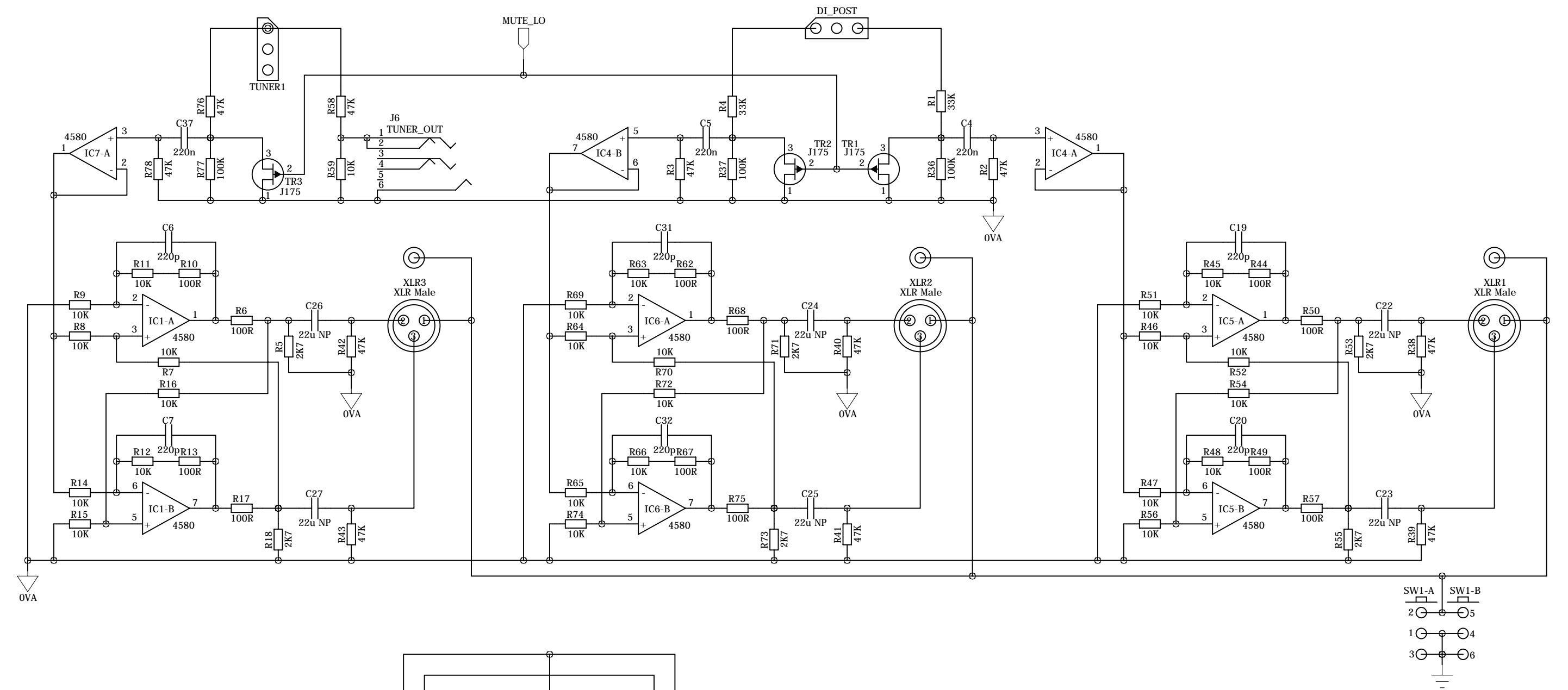


TITLE 12 Band Rear PCB 1/2
 PROJECT Trace Elliot Bass Amp Range
 DRAWING No PTE-CD003
 ISSUE 1.1
 DATE 4 December 2005
 DRAWN BY Paul Stevens

TRACE ELLIOT
 Product Design & Development
 Essex
 Great Britain
 +44 (0) 777 151 3303
 paul.stevens@trace-elliott.co.uk

ISSUE CHANGE NOTE DATE	ISSUE CHANGE NOTE DATE	ISSUE CHANGE NOTE DATE
ISSUE CHANGE NOTE DATE	ISSUE CHANGE NOTE DATE	ISSUE CHANGE NOTE DATE

OUTPUTS & FOOTSWITCH SOCKETS



TITLE 12 Band Rear PCB 2/2
 PROJECT Trace Elliot Bass Amp Range
 DRAWING No PTE-CD003
 ISSUE 1.1
 DATE 4 December 2005
 DRAWN BY Paul Stevens

TRACE ELLIOT
 Product Design & Development
 Essex
 Great Britain
 +44 (0) 777 151 3303
 paul.stevens@trace-elliott.co.uk