

TRACE ELLIOT

SERVICE MANUAL

DATE : December 29, 1999
Product Code: N/A
Model Number : GRP3 SERIES Guitar amplifiers

Issued by:
Trace Elliot Limited
Blackwater Trading Estate
The Causeway
Maldon
Essex
England
CM4 4GG

G-RP3 PRAMP TECHNICAL SPECIFICATIONS

GUITAR INPUT IMPEDANCE ----- 1.5 MEGOHMS

GUITAR INPUT SENSITIVITY ----- MIN = 250mV, MAX = 10V
(PEAK TO PEAK)

EFFECTS SEND IMPEDANCE ----- 10k OHMS

EFFECTS SEND LEVEL ----- NOMINAL -10dBV (0.3V)

EFFECTS RETURN IMPEDANCE ----- 50k OHMS

EFFECTS RETURN LEVEL ----- NOMINAL -10dBV WILL ACCEPT UP
TO +4dBm.

D.I. OUTPUT IMPEDANCE ----- 600 OHMS BALANCED

D.I. OUTPUT LEVEL ----- NOMINAL -10dBV

OUTPUT IMPEDANCE (L & R) -- 4k7 OHMS

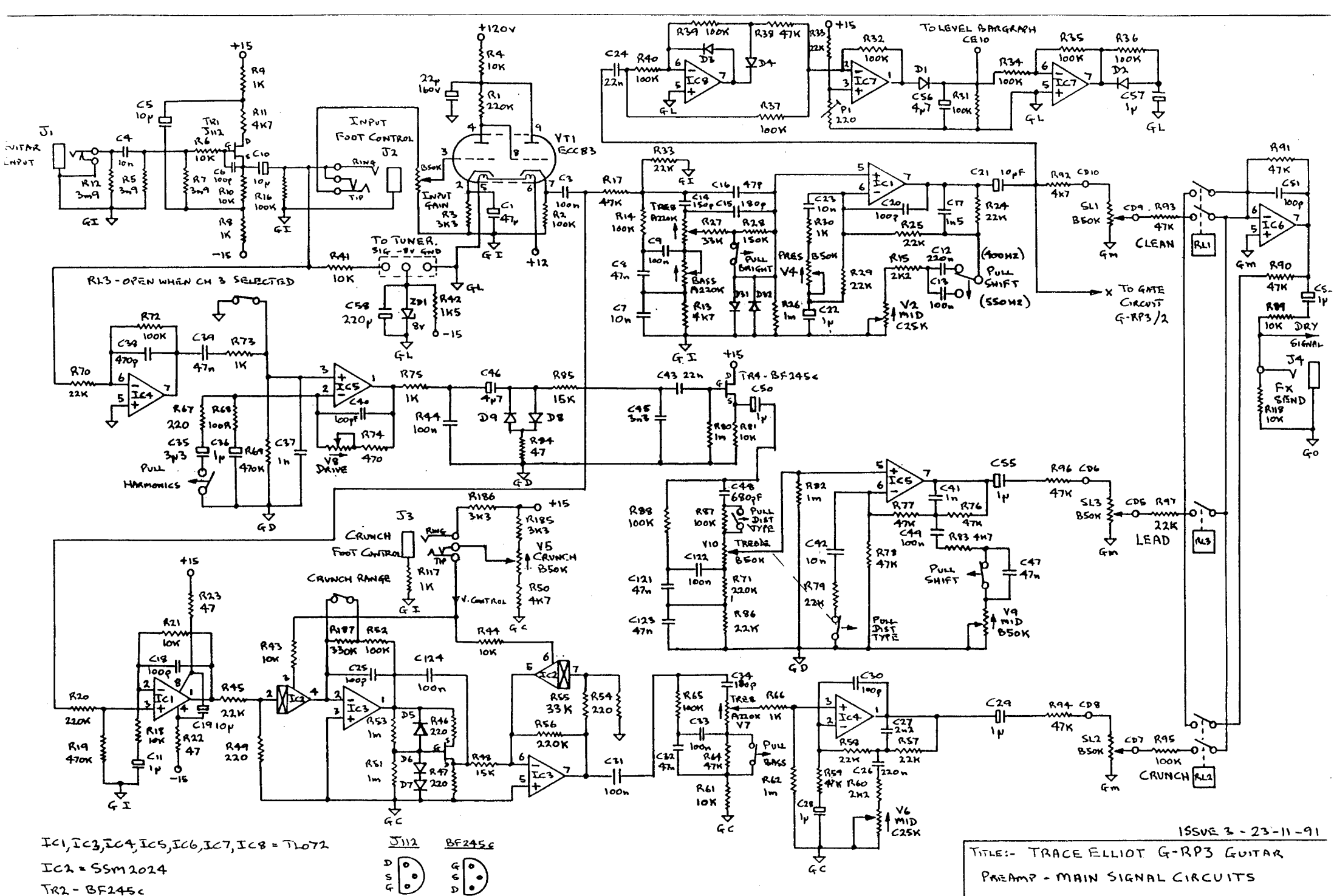
OUTPUT LEVEL (L & R) ----- 0dBV NOMINAL, 10V P-P MAX.

VALVE = ECC83 WITH HEATERS RUN FROM REGULATED D.C. FOR
MINIMUM NOISE. H.T. = 120V.

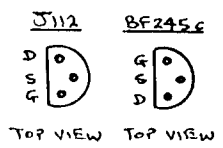
FOOTSWITCH = DIGITAL SELECTION OF CHANNEL AND EFFECTS
FUNCTIONS.

EXTERNAL CONTROL INPUTS - REQUIRE A SHORT CIRCUIT TO OPERATE
THEM.

HEADPHONE OUTPUT IMPEDANCE = 600 OHMS NOMINAL, 200 OHMS MIN.



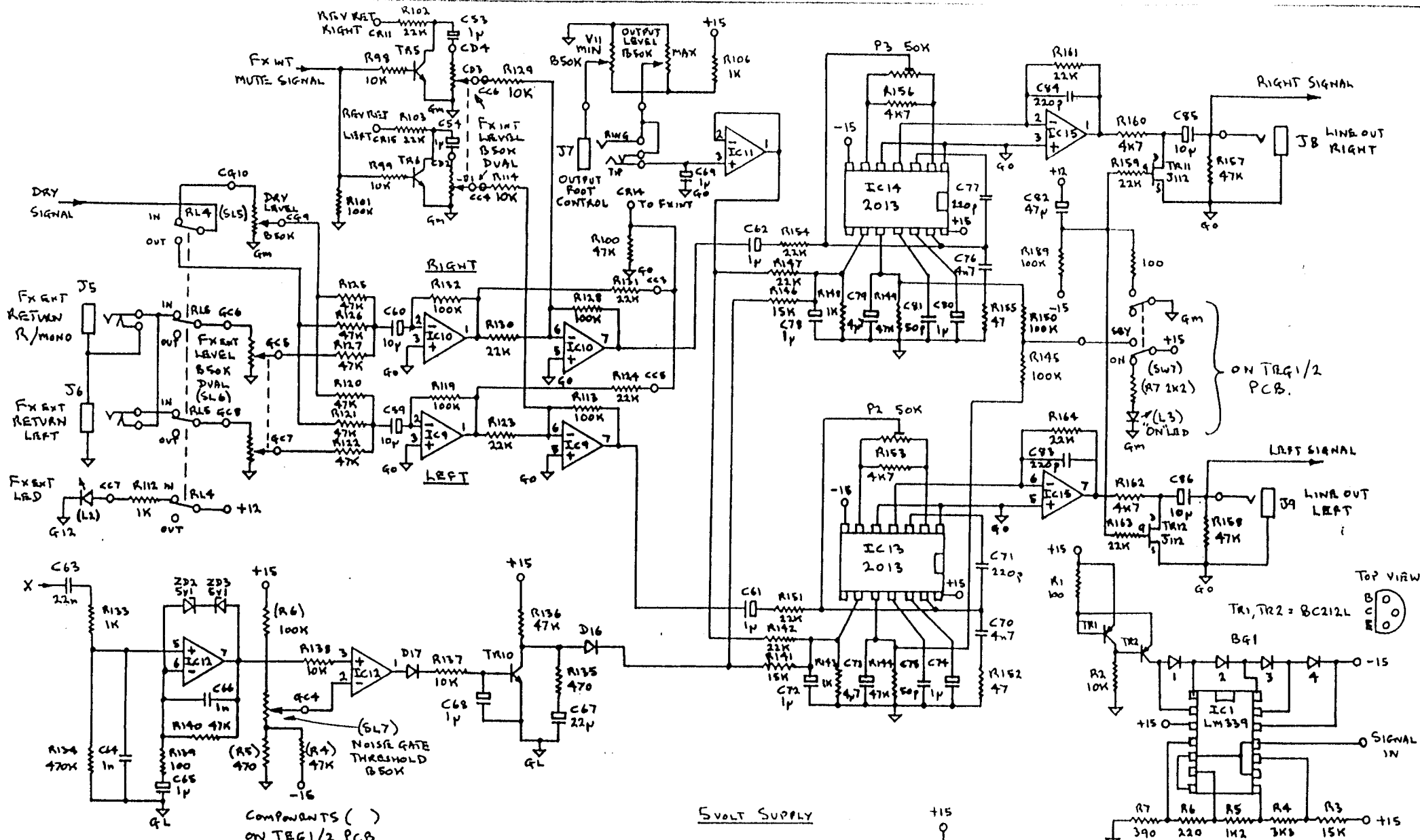
IC1, IC3, IC4, IC5, IC6, IC7, IC8 = TL072
 IC2 = SSM2024
 TR2 = BF245c



ISSUE 3 - 23-11-91

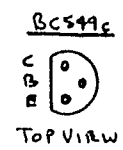
TITLE:- TRACE ELLIOT G-RP3 GUITAR
 PREAMP - MAIN SIGNAL CIRCUITS

DRAWN C BUTON	DATE 22-10-91	DWG:- G-RP3/1
------------------	------------------	------------------

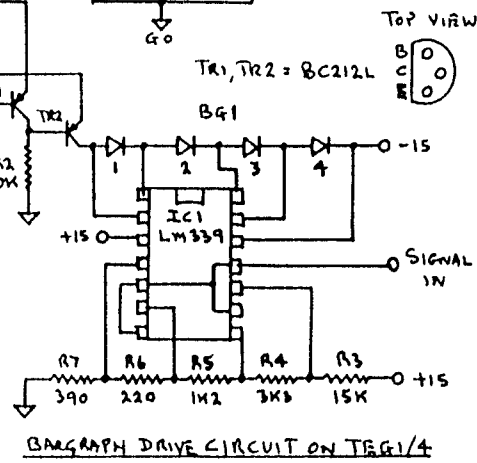
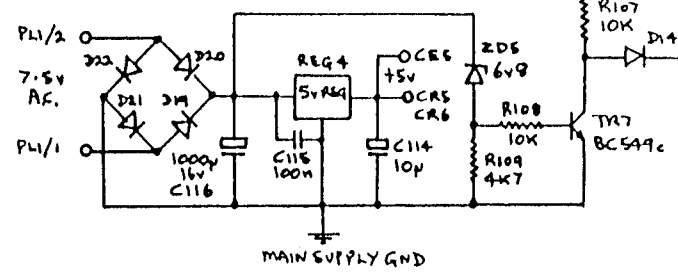


COMPONENTS () ON TRG1/2 PCB

IC9, IC10, IC11, IC12, IC15 = TL072
 TR5, TR6, TR10 = BC549C
 TR7,



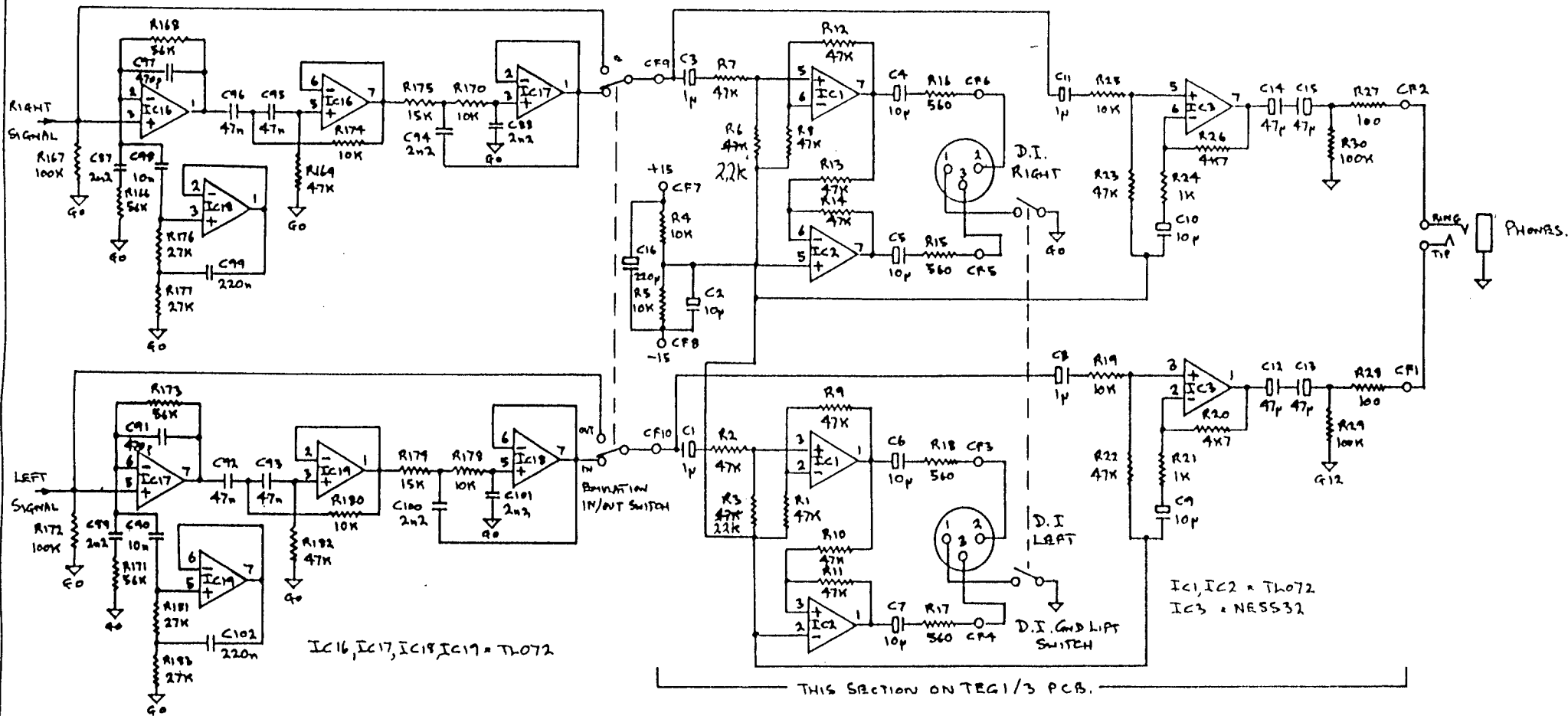
5VOLT SUPPLY



ISSUE 3 - 23-11-91

TITLE:- TRACE ELLIOT G-RP3 GUITAR
 PREAMP - EFFECTS AND OUTPUT CIRCUITS
 5VOLT SUPPLY AND BARGRAPH DRIVE.

DRAWN C BUTTON	DATE 22-10-91	DWG G-RP3/2
-------------------	------------------	----------------

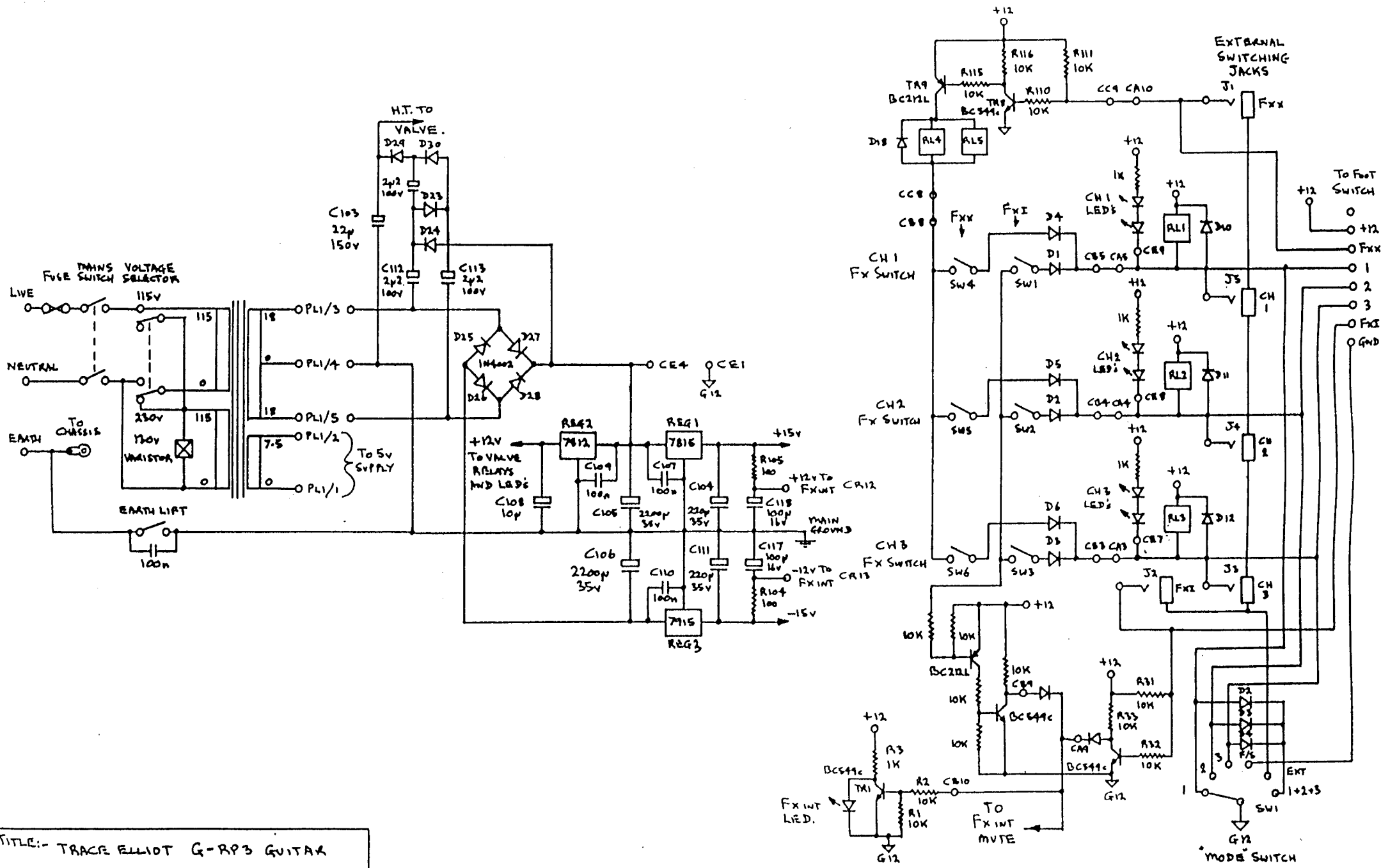


IC16, IC17, IC18, IC19 = TL072

IC1, IC2 = TL072
IC3 = NE5532

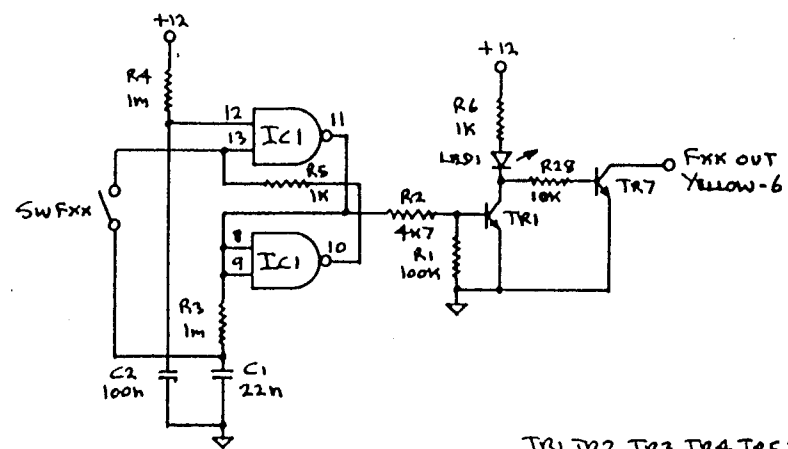
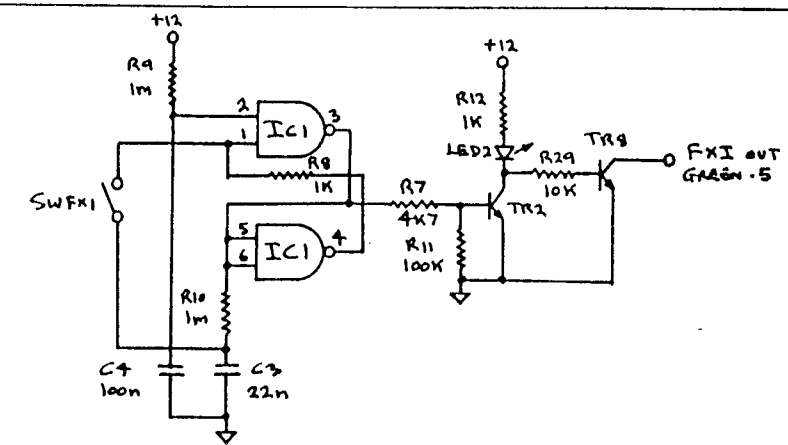
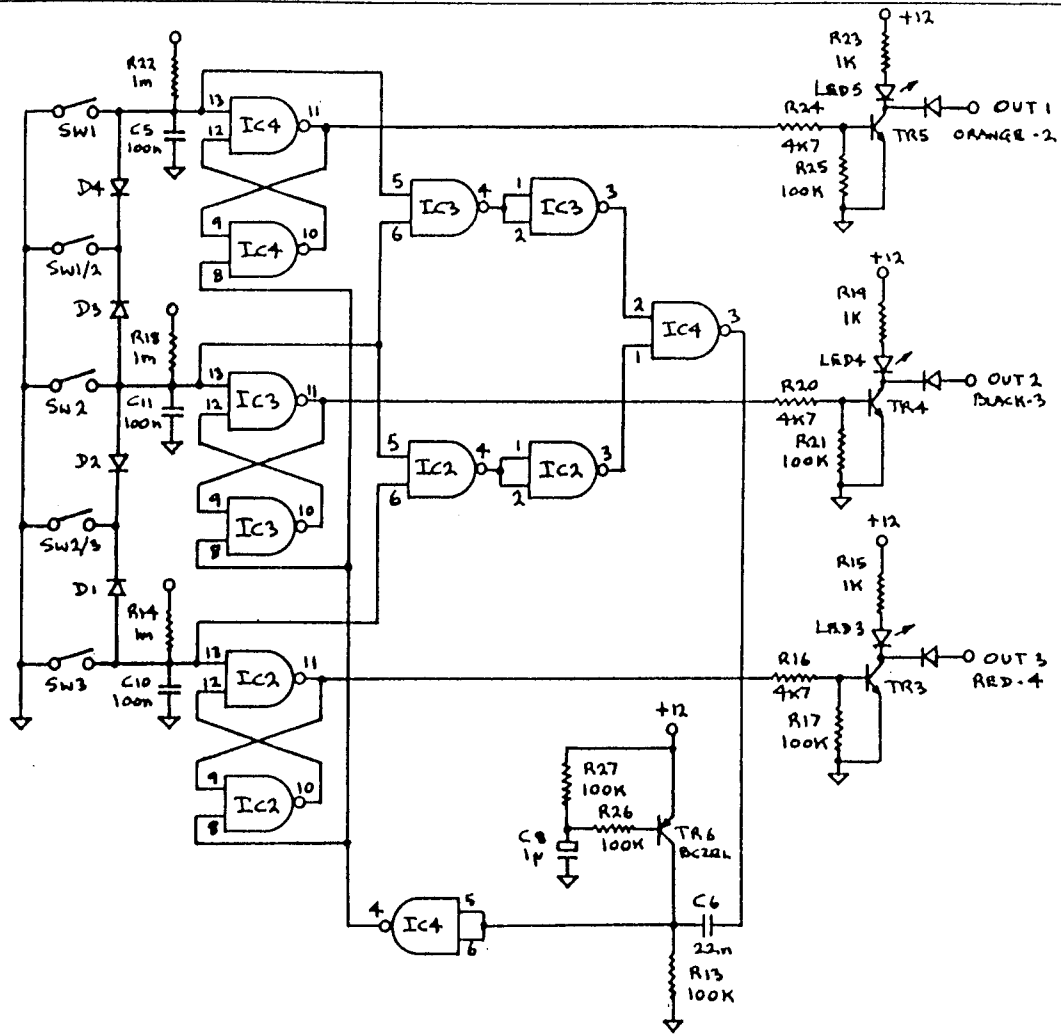
TITLE:- TRACE ELLIOT G-RP3 GUITAR
PREAMP, SPEAKER EMULATION, D.I. OUTPUTS
AND HEADPHONE CIRCUITS.

DRAWN:- C BUTTIN	DATE:- 23-10-91	DWG G-RP3/3
---------------------	--------------------	----------------

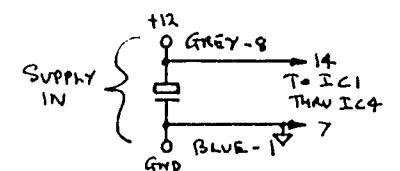


TITLE:- TRACE ELLIOT G-RP3 GUITAR
 PREAMP - POWER SUPPLY AND SWITCHING
 CIRCUITS.

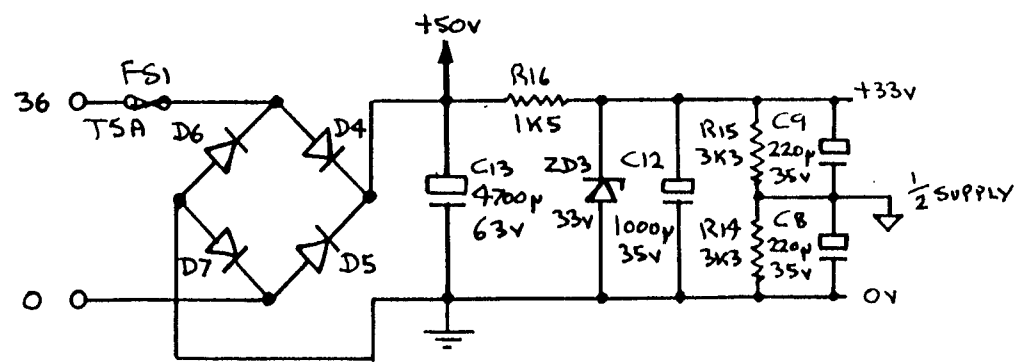
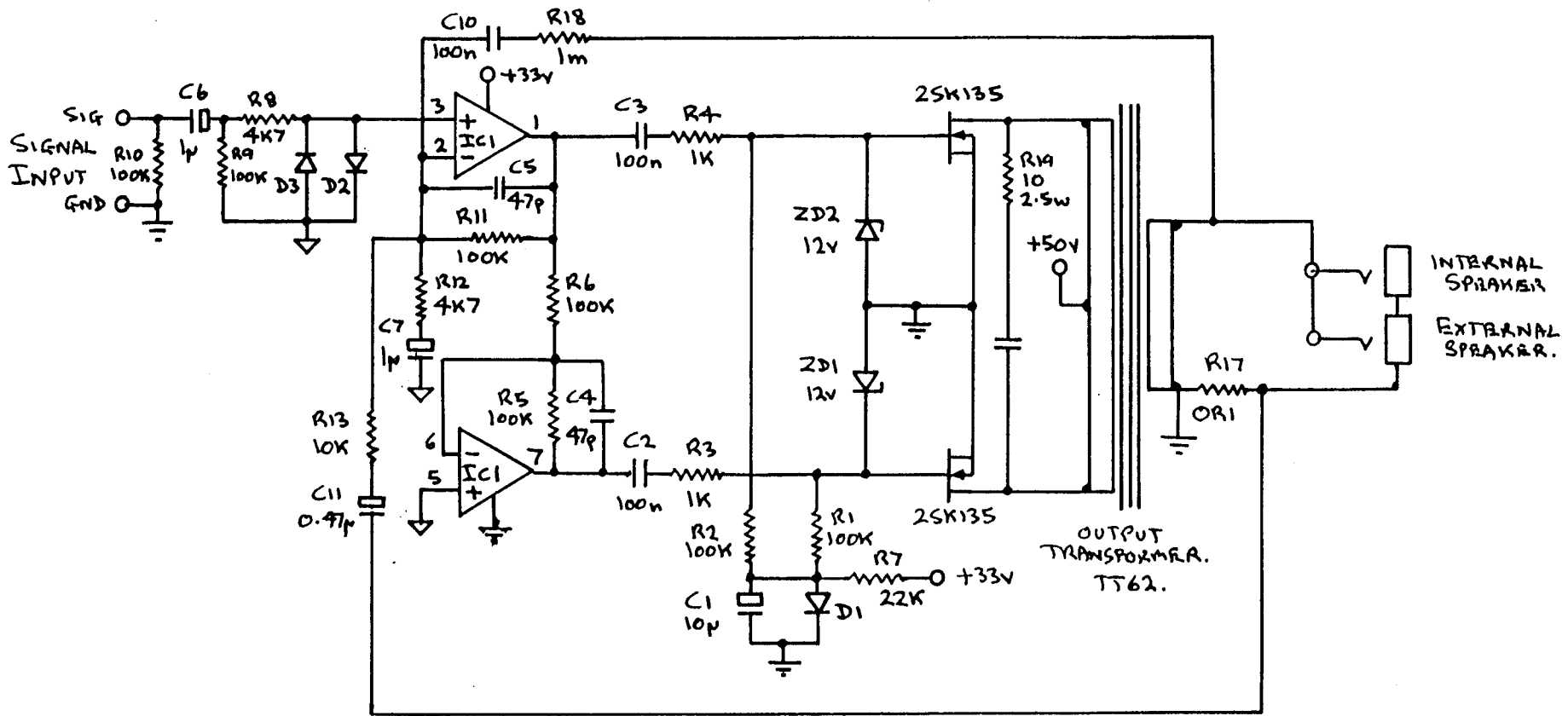
DRAWN:- C BUTTON	DATE 24-10-91	DRG:- G-RP3/4
---------------------	------------------	------------------



TR1, TR2, TR3, TR4, TR5, TR7, TR8 = BC549c
 TR6 = BC212L
 IC1 to IC4 = CD4011B



TITLE:- TRACE ELLIOT G-RP3 GUITAR PREAMP - FOOTSWITCH CIRCUIT		
DRAWN:- C BUTON	DATE:- 24-10-91	DWG G-RP3/5



TITLE :- TRACE ELLIOT 80W GUITAR
 OUTPUT STAGE. GO1 ISSUE 2
 "PATENTS PENDING"

DRAWN:- C BUTTON	DATE:- 24-10-91	DWG. GO1
---------------------	--------------------	-------------