

TRACE ELLIOT

SERVICE MANUAL

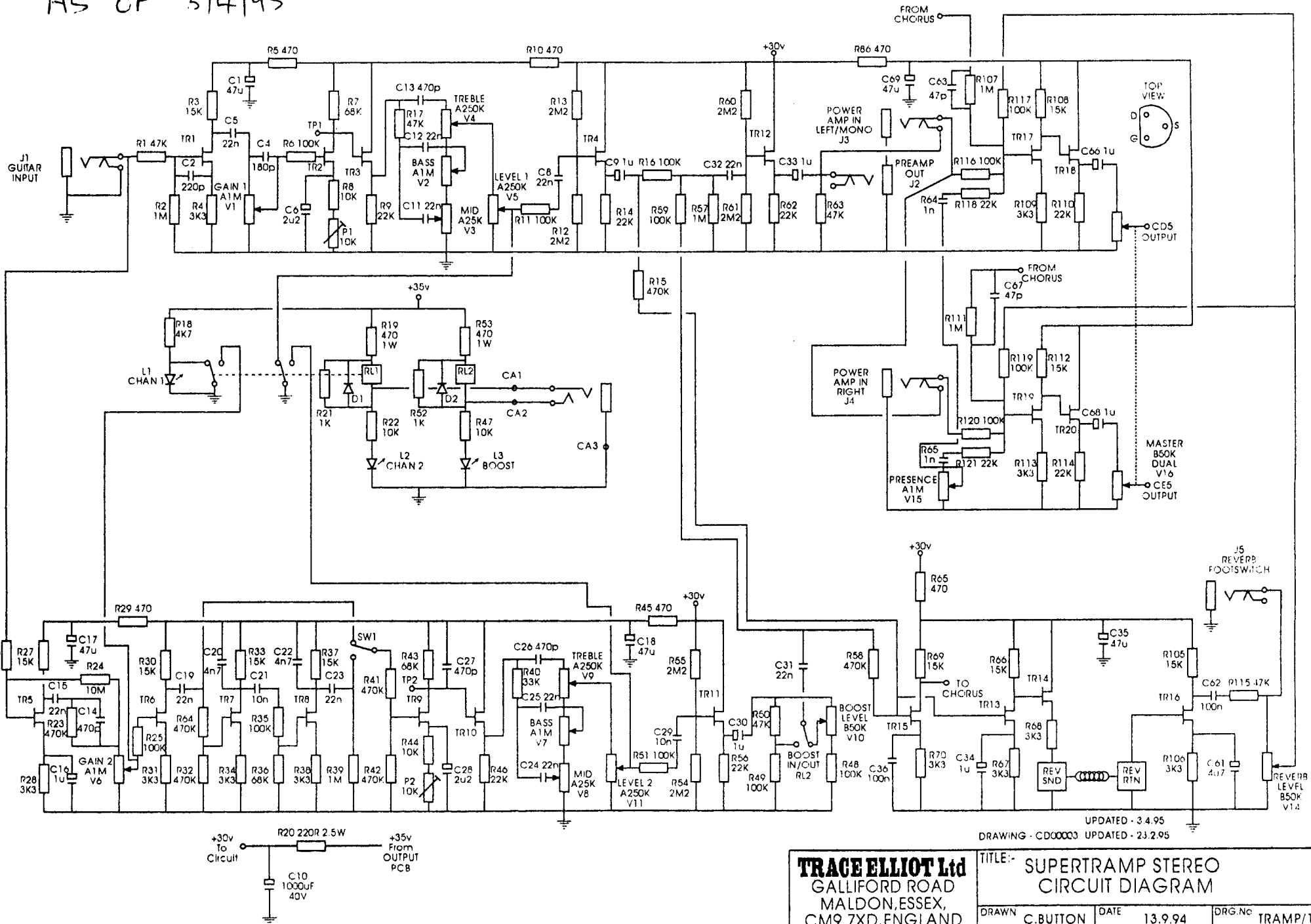
DATE : December 29, 1999

Product Code: N/A

Model Number : Super Tramp TSC

Issued by:
Trace Elliot Limited
Blackwater Trading Estate
The Causeway
Maldon
Essex
England
CM4 4GG

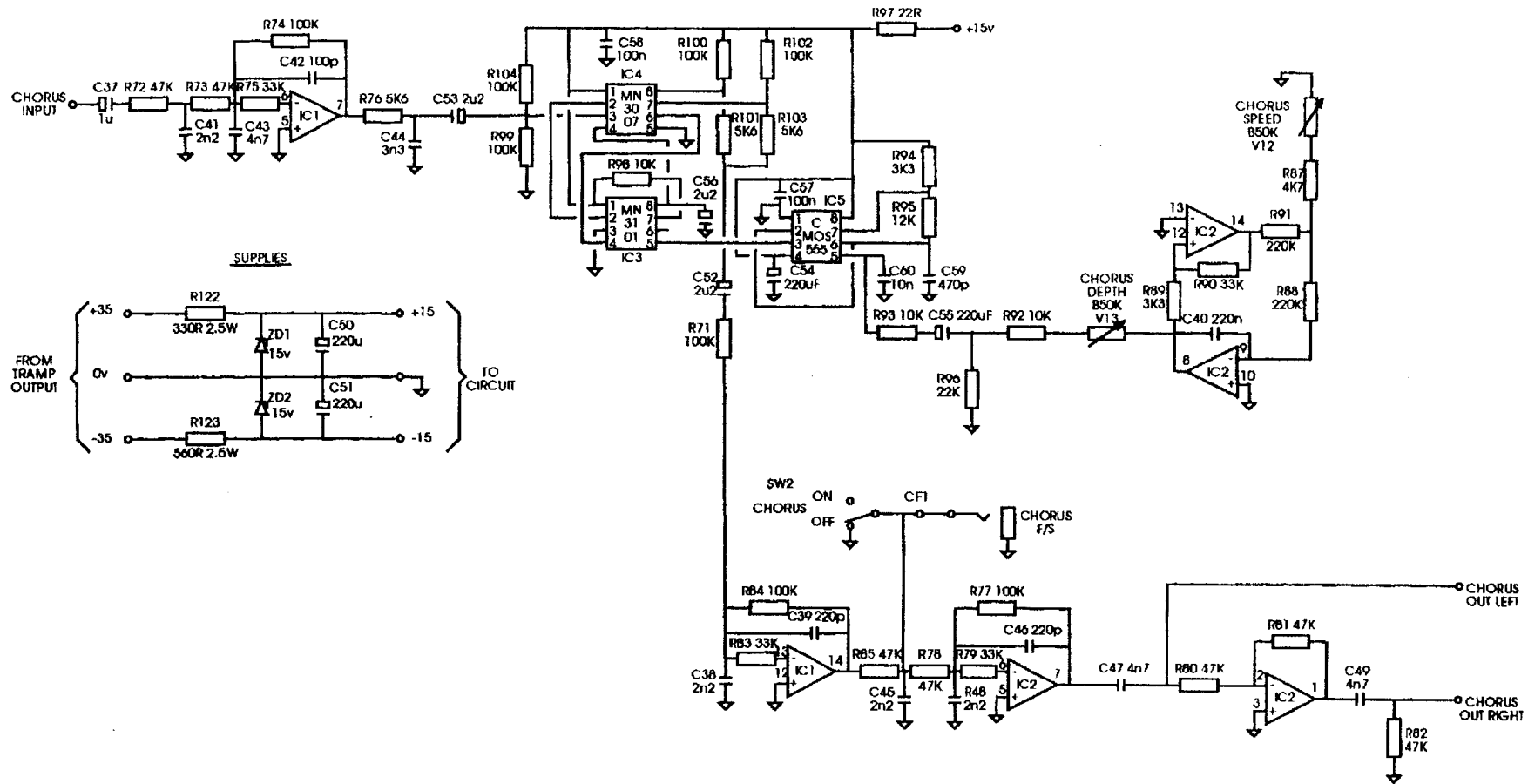
AS OF 3/4/95



UPDATED - 3.4.95
DRAWING - CD00003 UPDATED - 23.2.95

TRACE ELLIOT Ltd
GALLIFORD ROAD
MALDON, ESSEX,
CM9 7XD, ENGLAND

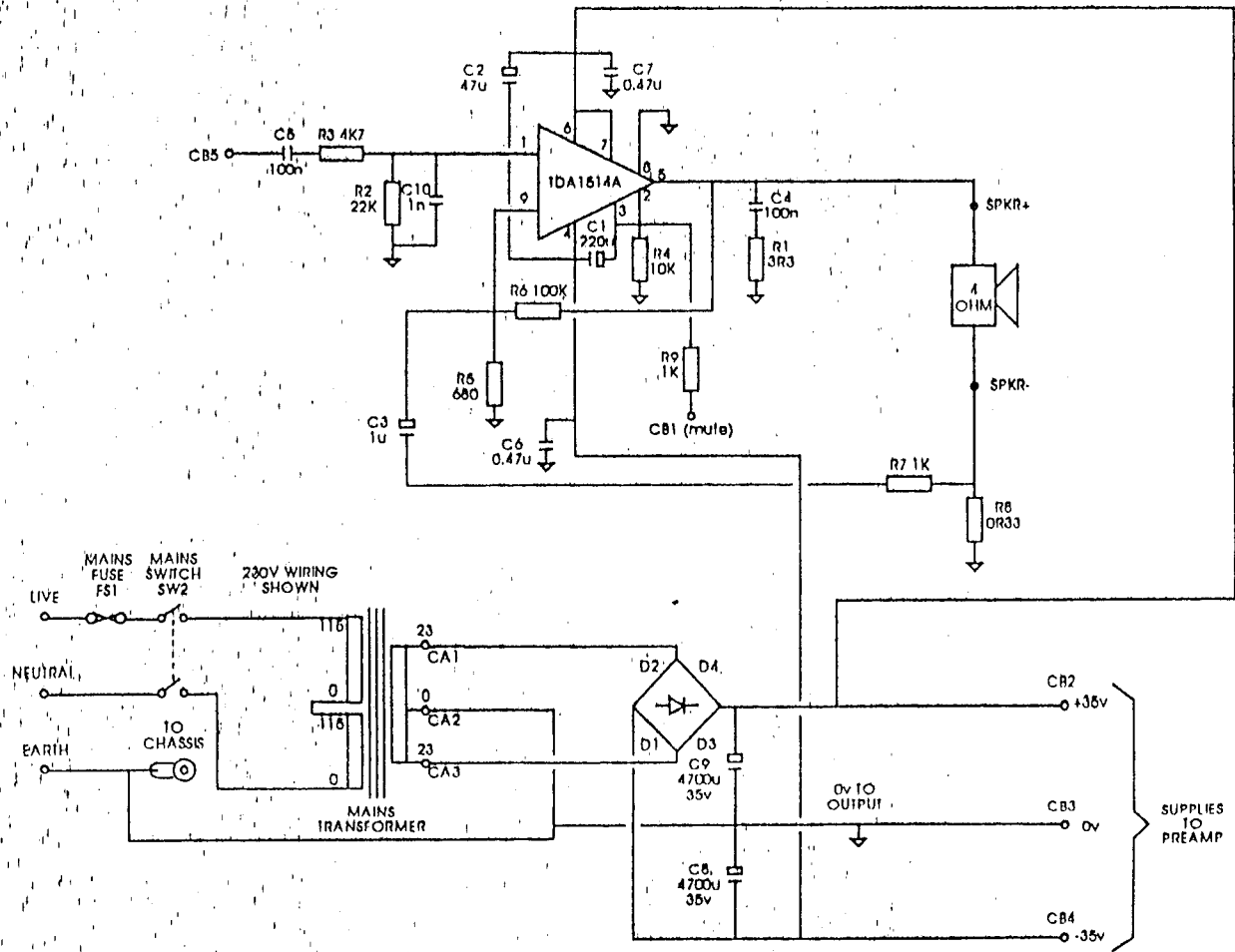
TITLE:- SUPERTRAMP STEREO CIRCUIT DIAGRAM	
DRAWN C.BUTTON	DATE 13.9.94
DRG.No TRAMP/15	



TRACE ELLIOT Ltd
 GALLIFORD ROAD
 MALDON, ESSEX,
 CM9 7XD, ENGLAND

TITLE:- SUPERTRAMP STEREO
 CHORUS CIRCUIT

DRAWN	C.BUTTON	DATE	21.9.94	DRG.No.	TRAMP/25
-------	----------	------	---------	---------	----------

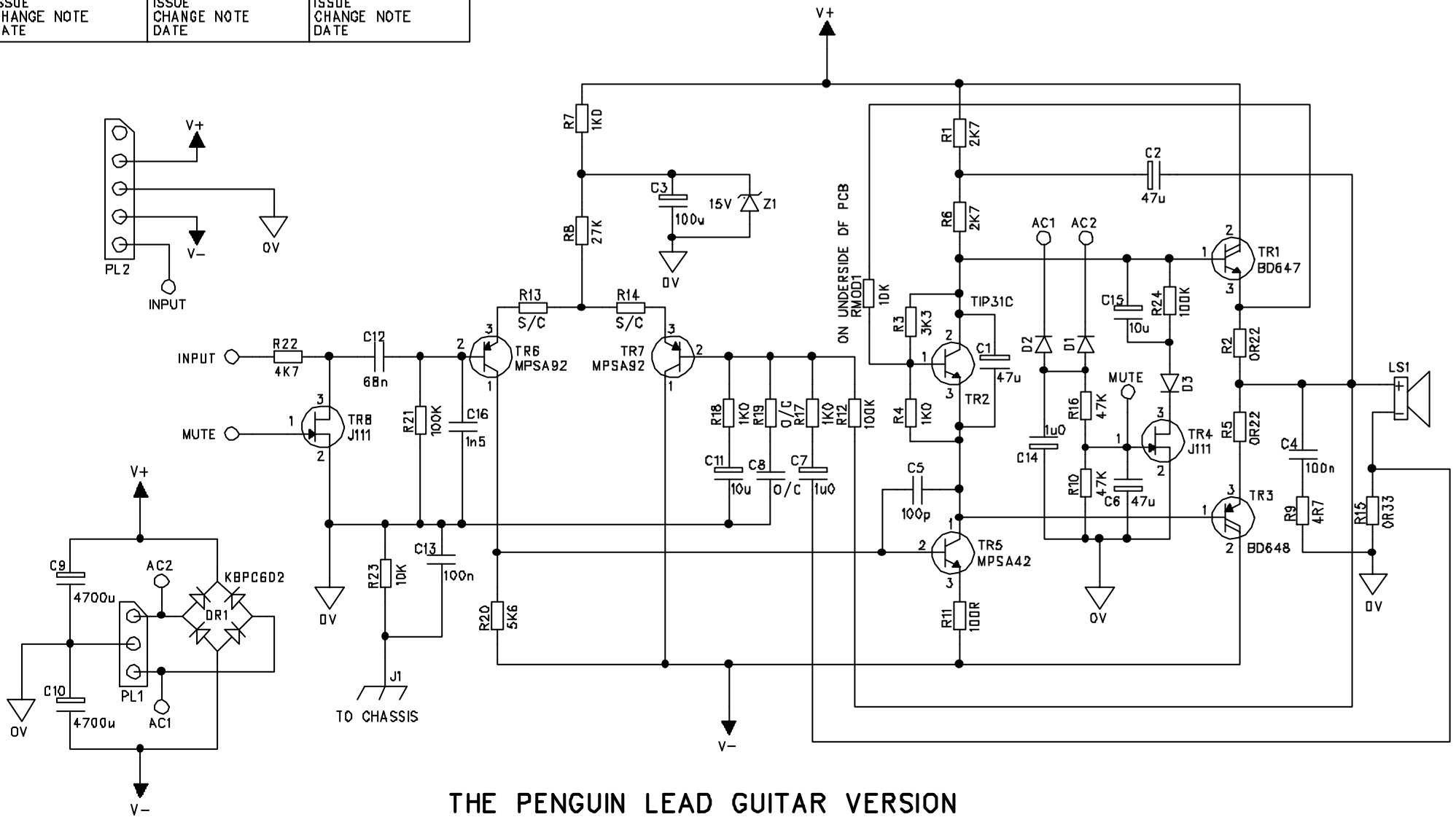


TRACE ELLIOT Ltd
 GALLIFORD ROAD
 MALDON, ESSEX,
 CM9 7XD, ENGLAND

TITLE:- Tramp OUTPUT & PSU
 CIRCUIT DIAGRAM

DRAWN	C.BUTTON	DATE	7.6.94	DRG.No.	Tramp/2
-------	----------	------	--------	---------	---------

ISSUE CHANGE NOTE DATE	ISSUE CHANGE NOTE DATE	ISSUE CHANGE NOTE DATE
ISSUE CHANGE NOTE DATE	ISSUE CHANGE NOTE DATE	ISSUE CHANGE NOTE DATE



THE PENGUIN LEAD GUITAR VERSION

TITLE
PROJECT
DRAWING No
ISSUE
DATE
DRAWN BY

NEW POWER OUTPUT STAGE
TRAMP / TRAMP TSC
CD00026
3
25/9/1996
J B RECKLESS

TRACE ELLIOT
TRACE ELLIOT LIMITED
MALDON ESSEX CM9 7GG
ENGLAND
TEL (01621) 855266
FAX (01621) 851975