

# **TRACE ELLIOT**

## **SERVICE MANUAL NO. SM00021**

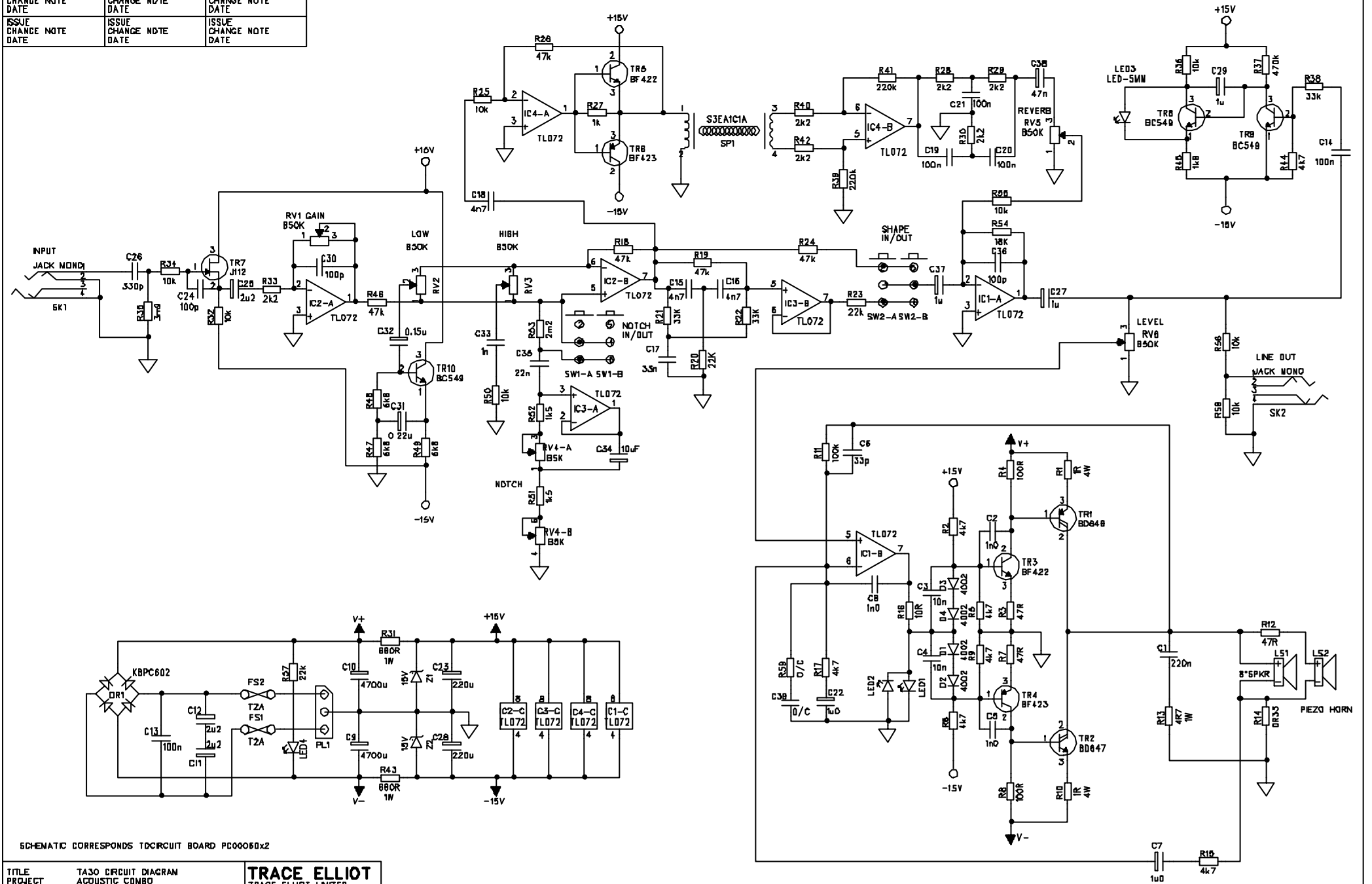
### **ISSUE 2**

**Date:** October 28, 1996  
**Product Code :** T2132  
**Model No :** TA30  
**Technical File No :** TE00021

**Issued by:**

**Trace Elliot Limited.  
Blackwater Trading Estate  
The Causeway, Maldon  
Essex CM9 4GG.**

ISSUE CHANGE NOTE DATE	ISSUE CHANGE NOTE DATE	ISSUE CHANGE NOTE DATE
ISSUE CHANGE NOTE DATE	ISSUE CHANGE NOTE DATE	ISSUE CHANGE NOTE DATE



SCHEMATIC CORRESPONDS TO CIRCUIT BOARD PC00060x2

TITLE	T430 CIRCUIT DIAGRAM	<b>TRACE ELLIOT</b> TRACE ELLIOT LIMITED NALDON ESSEX CN8 7XD ENGLAND TEL (01621) 851851 FAX (01621) 881932
PROJECT	ACOUSTIC COMBO	
DRAWING No	C00005B	
ISSUE	3	
DATE	23/8/1996	
DRAWN BY	CLIVE BUTTON	

## PCB INSERTION LIST FOR PC00060x2 - TA30

### CLIVE BUTTON - 22.4.97

Description	Part Code	Qty	Where Used
DIODE 1N4002	72-D-IN4148	4	D1-4
ZENER1,15V	72-D-BZX79C15	2	Z1-2
R1/4W,100R	72-RM100R	2	R4 R8
R1/4W,100k	72-RM100K	1	R11
R1/4W,10R	72-RM10R	1	R16
R1/4W,10k	72-RM10K	8	R25 R32 R34 R36 R50
			R55-56 R58
R1/4W,1k	72-RM1K	1	R27
R1W,680R	72-RM680R-1WATT	2	R31 R43
R1/4W,1k5	72-RM1K5	2	R51-52
R1/4W,1k8	72-RM1K8	1	R45
R1/4W,220k	72-RM220K	2	R39 R41
R1/4W,22k	72-RM22K	3	R20 R23 R57
R1/4W,2k2	72-RM2K2	6	R28-30 R33 R40 R42
R1/4W,2m2	72-RM2M2	1	R53
R1/4W,33k	72-RM33K	3	R21-22 R38
R1/4W,3m9	72-RM3M9	1	R35
R1/4W,470k	72-RM470K	1	R37
R1/4W,47R	72-RM47R	2	R3 R7
R1/4W,47k	72-RM47K	5	R18-19 R24 R26 R46
R1/4W,18K	72-RM18K	1	R54
R1/4W,4k7	72-RM4K7	7	R2 R5-6 R9 R15 R17
			R44
R1/4W,6k8	72-RM6K8	3	R47-49
R1/4W,O/C	NOT FITTED	1	R59
R1W,47R	NEW PART	1	R12
R1W,4R7	72-RM4R7-1WATT	1	R13
R4W,1R	72-RWW1R-4W	3	R1 R10
R2.5W,0R33	72-RWW0R33-2.5W	1	R14
CAPCA,100p	72-C100P-100VCA	3	C24 C30 C36
CAPCA,33p	72-C33P-100VCA	1	C6
CAPCA,100n	72-C100N-100VCA	5	C13-14 C19-21
CAPCA,10n	72-C10N-100VCA	3	C3-4 C26
CAPCA,1n	72-C1N-100VCA	4	C2 C5 C8 C33
CAPCA,22n	72-C22N-100VCA	1	C35
CAPCA,33n	72-C33N-100VCA	1	C17
CAPCA,4n7	72-C4N7-100VCA	3	C15-16 C18
CAPCA,O/C	NOT FITTED	1	C39
CAPCA,220n	72-C220N-100VCA	2	C1 C31

CAPCA,150n	72-C150N-100VCA	1	C32
CAPTANT,1u0	72-C1-35VT	2	C7 C22
CAPTANT,2u2	72-C2.2-35VT	1	C25
47n MYLAR	72-C47N?	1	C38
CAPE1,10uF	72-C10-35VER	1	C34
CAPE1,1u	72-CI-63VER	3	C27 C29 C37
CAPE1,2u2	72-C2.2-63VER	2	C11-12
CAPE1,220u	72-C220-25VER	2	C23 C28
TL072	72-IC-TL072	4	IC1-4
BC549	72-TBC549C	3	TR8-10
BF422	72-TBF422	2	TR3 TR5
BF423	72-TBF423	2	TR4 TR6
J112	72-FET-J-112	1	TR7
JACKMONO	73-SKT-JCKBNBS	2	SK1-2
CON03	72-HEAD-3W-2	1	PL1
KBPC602,	73-BRIDGE-2	1	DR1
LED,LED-5MM	72-LED-RED	4	LED1-4
PCBFUSE,T2A	72-FUS-HLD-PCB-2	2	FS1-2
SWPUSHDPDT,	72-SW-F2UEE	2	SW1-2
FUSE 1.6AT	72-FUS-1.6AT-2	2	FS1-2
BD647	72-TBD647	1	TR2
BD648	72-TBD648	1	TR1
	72-MOS-PAD-TO220	2	TR1-2
CAPE6,4700u	73-CAP-470035V	2	C9-10
POTDUAL,B5K	73-POT-B5K-DG-S	1	RV4 <b>15mmSHAFT</b>
POTSINGLE,B50K	73-POT-B50K-S	5	RV1-3 RV5-6 <b>15mmSHAFT</b>
REVERB, S3EA1C1A	PHONO LEADS HARD	1	SP1 (73-REVERB-TRAY-2)
	WIRED TO PCB.		MOUNTED CAB BOTTOM
SPEAKER	72-HEAD-2W-2	2	LS1-2

N.B. 5MM LED's - 2 OFF ARE BENT AS ON 'COMMANDO' (LED3 & LED4)  
2 OFF ARE FLUSH TO PCB. (LED1 & LED2)