

TRACE ELLIOT

SERVICE MANUAL NO. SM00051

ISSUE 1

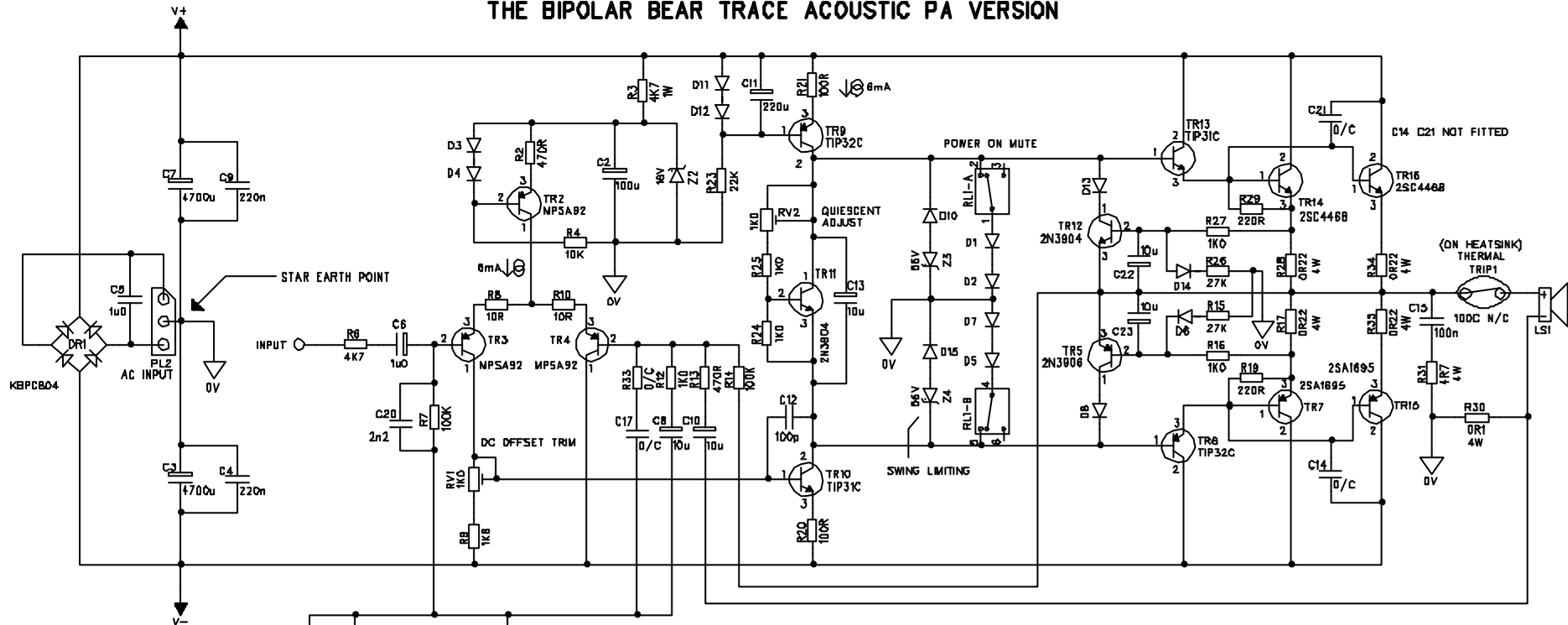
Date: AUGUST 5, 1997
Product Code : T1401
Model No : TEK 300
Technical File No : TE00051

Issued by:

**Trace Elliot Limited.
Blackwater Trading Estate
The Causeway, Maldon
Essex CM4 4GG.**

ISSUE CHANGE NOTE DATE	ISSUE CHANGE NOTE DATE	ISSUE CHANGE NOTE DATE
ISSUE CHANGE NOTE DATE	ISSUE CHANGE NOTE DATE	ISSUE CHANGE NOTE DATE

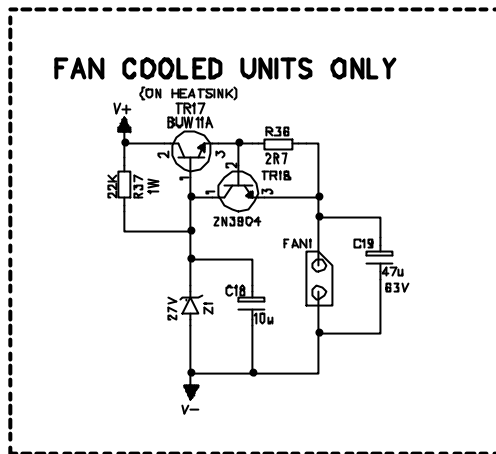
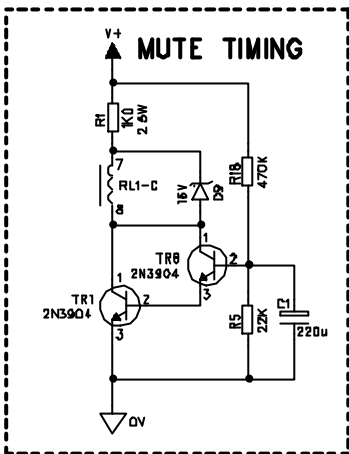
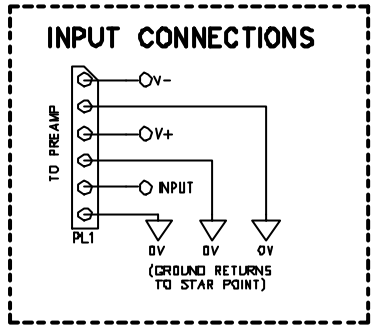
THE BIPOLAR BEAR TRACE ACOUSTIC PA VERSION



DECOUPLING TO CHASSIS
 R32 10K C16 100n
 GND1

NB:
 TR15 TR16 R34 R35 NOT FITTED FOR 150W
 R30 R15 C10 SET OUTPUT DAMPING FACTOR
 R33 C17 ARE FOR PRESENCE LIFT (IF REQD)
 R7 = R14 ALWAYS
 R15 & R26 = 10K FOR 150W
 R15 & R26 = 27K FOR 300W
 R37 = 10K / 1W FOR 100W
 R37 = 22K / 1W FOR 300W
 D1 = KBPC802 FOR 150W
 D1 = KBPC804 FOR 300W
 D1 D2 D6 D7 D10 D16 = 1N4007
 D8 = 16V ZENER
 ALL OTHER DIODES 1N4148

 OUTPUT DEVICES:
 TIP35C / TIP36C FOR 150W
 25C446B / 25A1895 FOR 300W



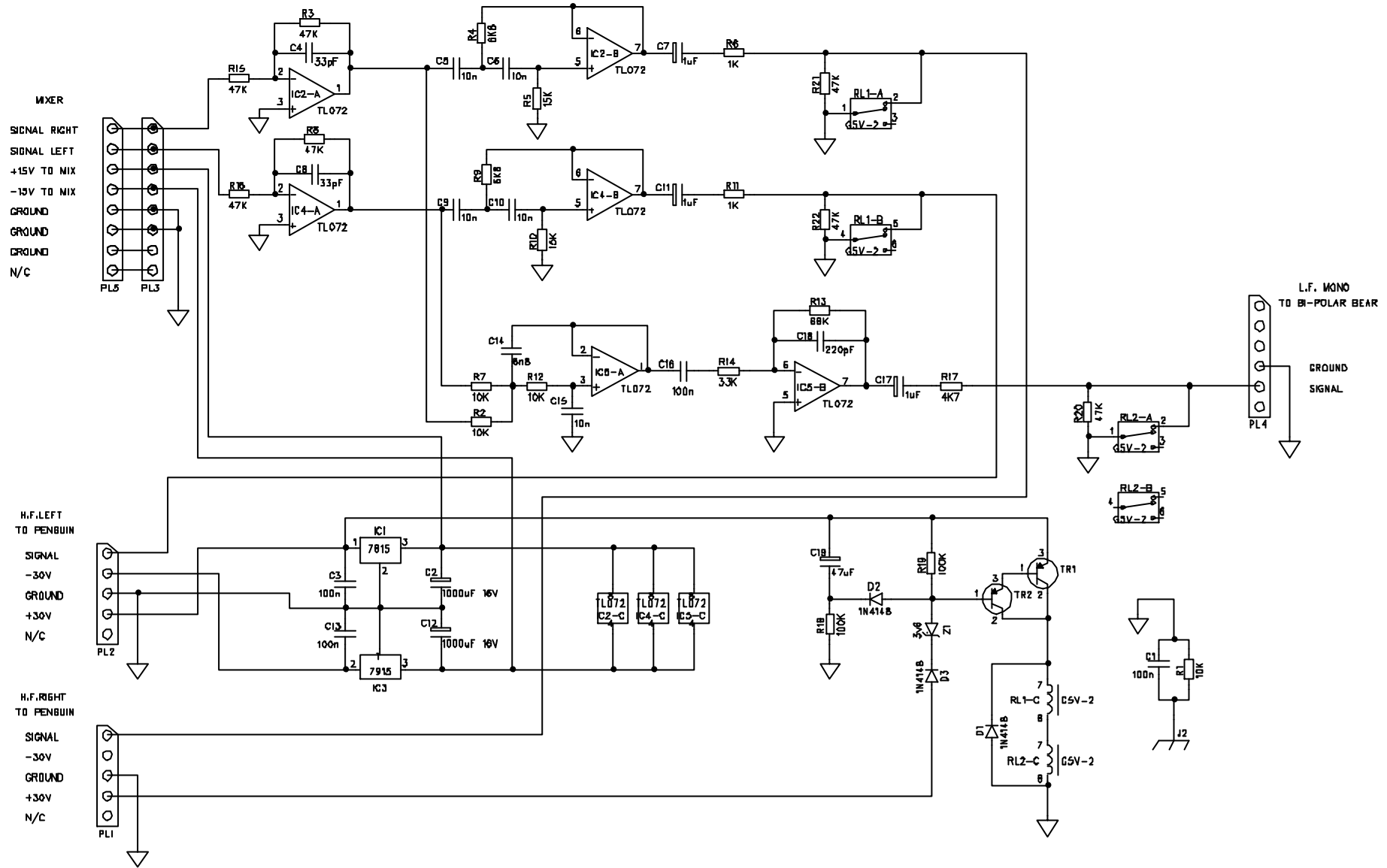
⚠
 COMPONENTS USED ARE
 OF AN APPROVED TYPE AND
 MUST BE REPLACED ACCORDINGLY

ON ISSUE 7 PCB

TITLE L F POWER AMP MODULE
 PROJECT TRACE ACOUSTIC PA
 DRAWING No CD00055
 ISSUE 2
 DATE 7/10/1996
 DRAWN BY J B RECKLESS

TRACE ELLIOT
 TRACE ELLIOT LIMITED
 NALDON ESSEX CM8 7XD
 ENGLAND
 TEL (01621) 851851
 FAX (01621) 881932

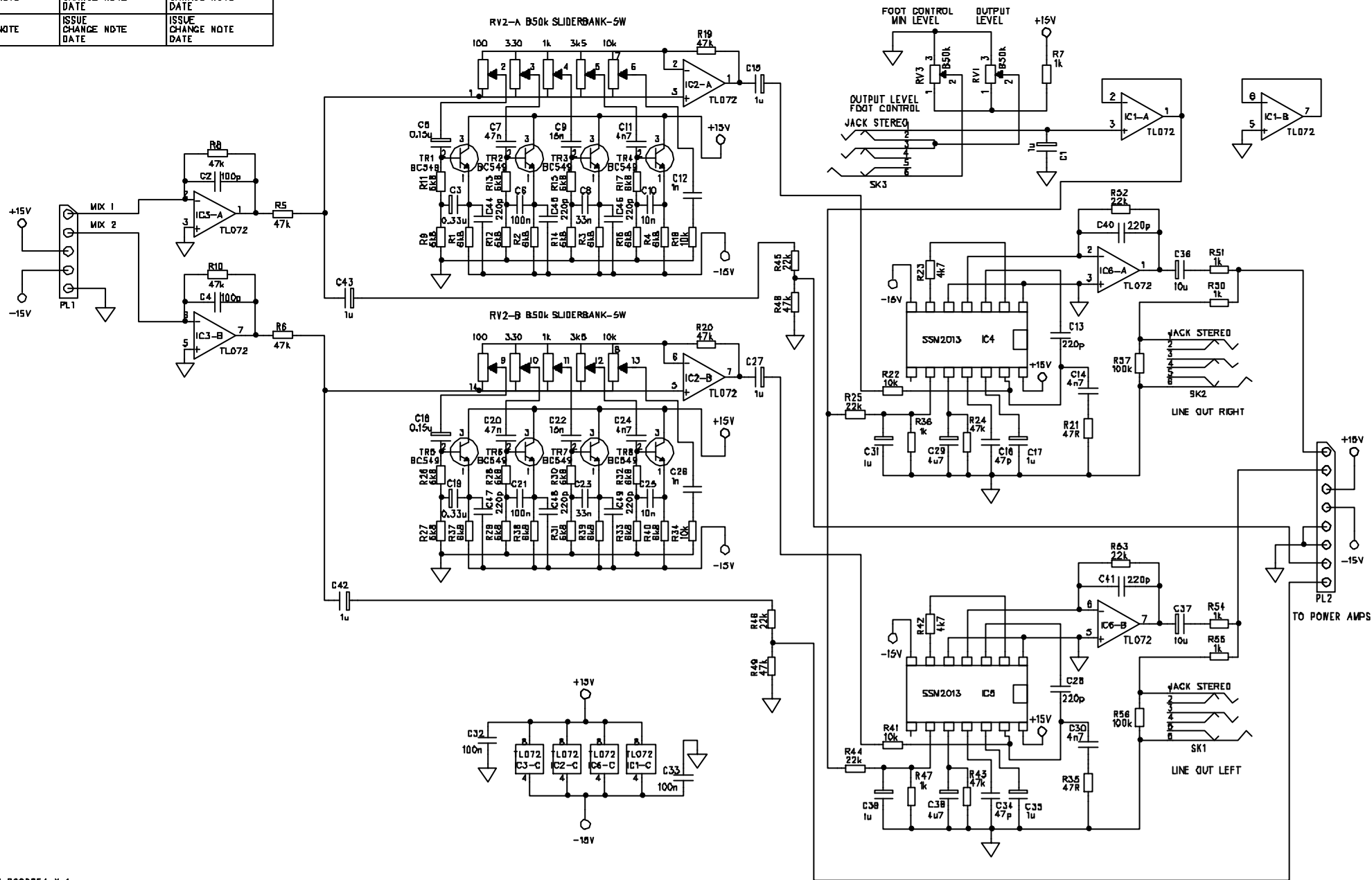
ISSUE CHANGE NOTE DATE	ISSUE CHANGE NOTE DATE	ISSUE CHANGE NOTE DATE
ISSUE CHANGE NOTE DATE	ISSUE CHANGE NOTE DATE	ISSUE CHANGE NOTE DATE



TITLE CROSSOVER AND INTERFACE PCB
PROJECT STEREO KBD COMBO - TEK300
DRAWING No C000080
ISSUE 1
DATE 16 5 96
DRAWN BY GLIVE BUTTON

TRACE ELLIOT
TRACE ELLIOT LIMITED
NALDON ESSEX CM8 7XD
ENGLAND
TEL (01821) 851851
FAX (01821) 881932

ISSUE CHANGE NOTE DATE	ISSUE CHANGE NOTE DATE	ISSUE CHANGE NOTE DATE
ISSUE CHANGE NOTE DATE	ISSUE CHANGE NOTE DATE	ISSUE CHANGE NOTE DATE

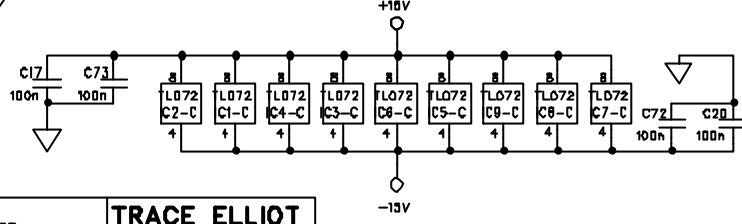
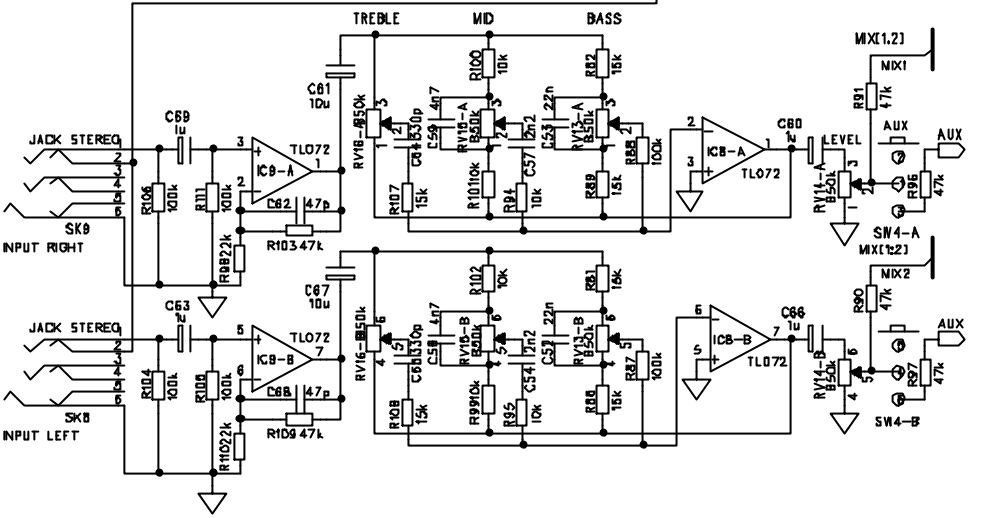
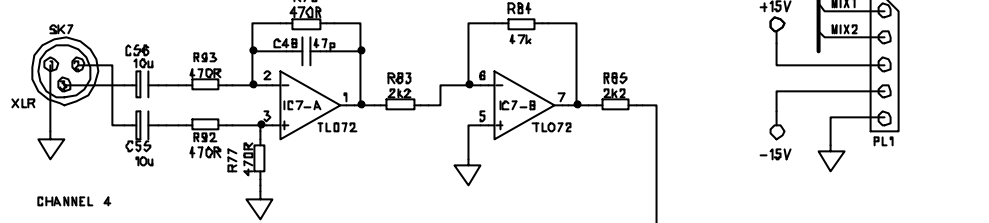
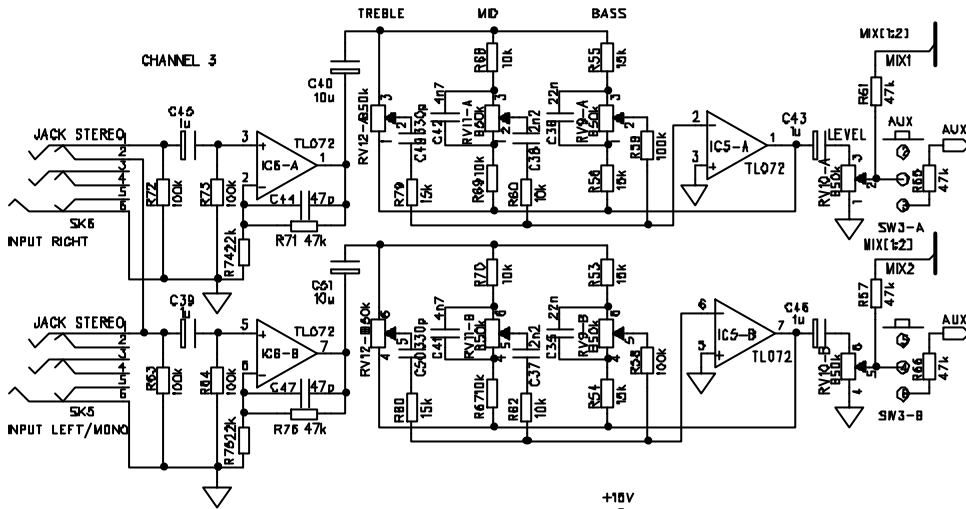
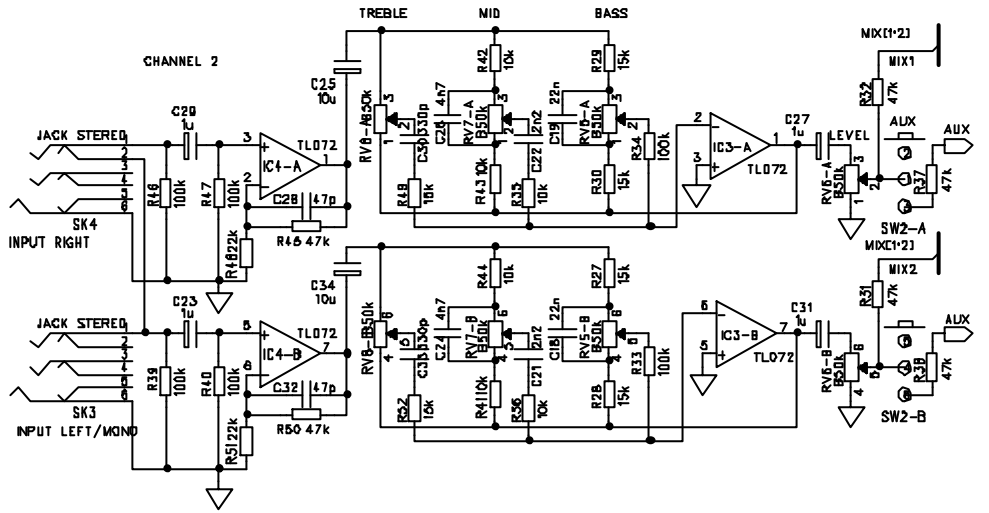
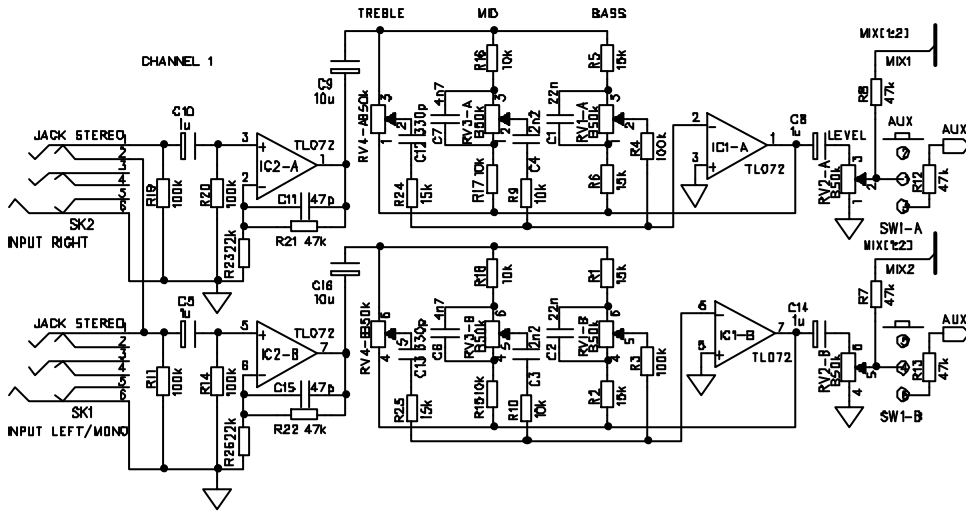


CCT FOR PC00054 X 1
 ADDITIONAL CAPACITORS C44-C40 220pF & TRACK MDD FOR SLIDER OPERATION

TITLE MASTER BOARD
 PROJECT STEREO KEYBOARD COMBO
 DRAWING No CD00048
 ISSUE 1
 DATE 2/9/97
 DRAWN BY GLIVE BUTTON

TRACE ELLIOT LTD
 BLACKWATER TRADING ESTATE
 WALTON ESSEX CB8 4BD
 GREAT BRITAIN
 TEL (01621) 851851
 FAX (01621) 881970

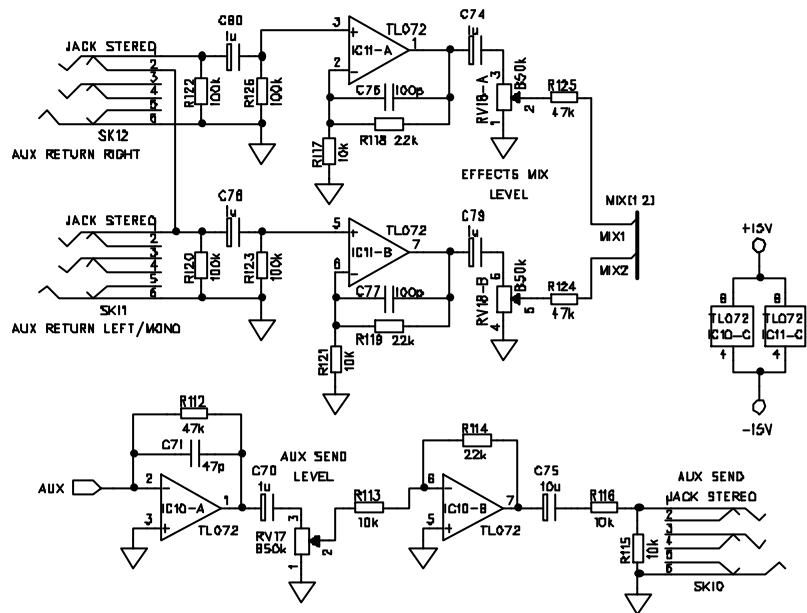
ISSUE CHANGE NOTE DATE	ISSUE CHANGE NOTE DATE	ISSUE CHANGE NOTE DATE
ISSUE CHANGE NOTE DATE	ISSUE CHANGE NOTE DATE	ISSUE CHANGE NOTE DATE



TITLE INPUT CHANNELS
 PROJECT STEREO KEYBOARD COMBO
 DRAWING No C000048 Sheet 1 of 2
 ISSUE B
 DATE 12.2.96
 DRAWN BY GLIVE BUTTON

TRACE ELLIOT
 TRACE ELLIOT LIMITED
 WALDON ESSEX CM8 7XD
 ENGLAND
 TEL (01621) 851851
 FAX (01621) 881932

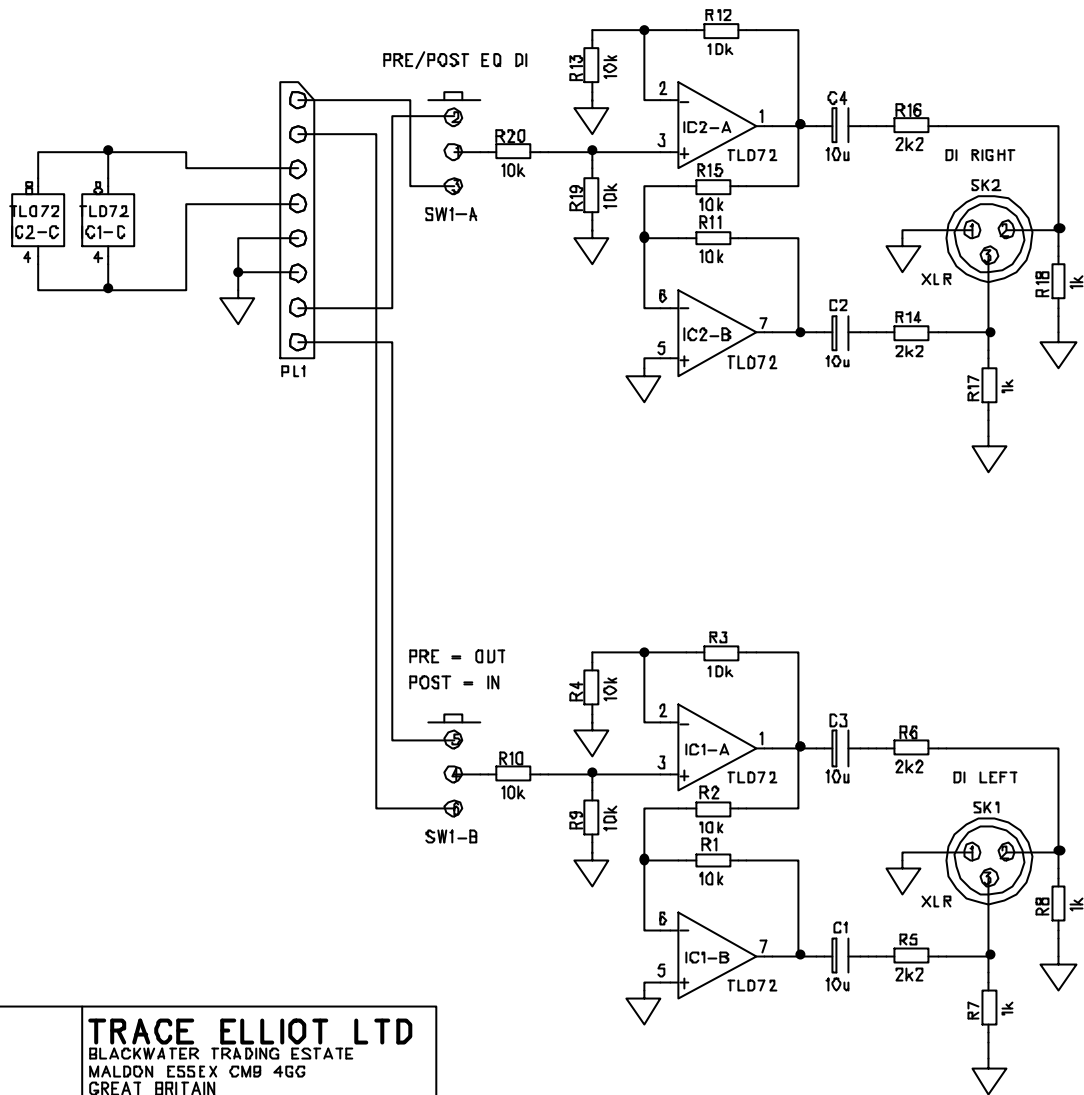
ISSUE CHANGE NOTE DATE	ISSUE CHANGE NOTE DATE	ISSUE CHANGE NOTE DATE
ISSUE CHANGE NOTE DATE	ISSUE CHANGE NOTE DATE	ISSUE CHANGE NOTE DATE



TITLE GRAPHIC & OUTPUT VCA's
 PROJECT STEREO KEYBOARD COMBO
 DRAWING No CD00048 Sheet 2 of 2
 ISSUE A
 DATE 18 2 96
 DRAWN BY CLIVE BUTTON

TRACE ELLIOT
 TRACE ELLIOT LIMITED
 WALDON ESSEX CM8 7XD
 ENGLAND
 TEL (01621) 851851
 FAX (01621) 881932

ISSUE CHANGE NOTE DATE	ISSUE CHANGE NOTE DATE	ISSUE CHANGE NOTE DATE
ISSUE CHANGE NOTE DATE	ISSUE CHANGE NOTE DATE	ISSUE CHANGE NOTE DATE



TITLE DI BOARD
 PROJECT STEREO KEYBOARD COMBO
 DRAWING No CD00050
 ISSUE A
 DATE 23.2.96
 DRAWN BY CLIVE BUTTON

TRACE ELLIOT LTD
 BLACKWATER TRADING ESTATE
 MALDON ESSEX CM8 4GG
 GREAT BRITAIN
 TEL (01621) 851851
 FAX (01621) 851975

**PARTS LIST FOR TRACE ACOUSTIC PA
'BOTTOM END' AMPLIFIER
USING PC00026 ISSUE 7
Please label the pcb 'TAPA LF'**

Description	Part Code	Qty	Where Used
DIODE 1N4007	72-D-1N4007	14	D1.....D8 D10.....D15
ZENER DIODE 16 VOLT	72-D-BZX55C16V	2	Z2 D9
ZENER DIODE 56 VOLT	72-D-BZX55C56V	2	Z3 Z4
ZENER DIODE 33 VOLT	72-D-BZX55C33V	1	Z1
ZERO OHM LINKS	72-RCZERO	14	
RES 1/4W 100K	72-RM100K	2	R7 R14
RES 1/4W 100R	72-RM100R	2	R20 R21
RES 1/4W 10K	72-RM10K	2	R4 R32
RES 1/4W 10R	72-RM10R	2	R8 R10
RES 1/4W 1K0	72-RM1K	5	R12 R16 R24 R25 R27
RES 1/4W 1K8	72-RM1K8	1	R9
RES 1/4W 220R	72-RM220R	2	R19 R29
RES 1/4W 22K	72-RM22K	2	R5 R23
RES 1 WATT 22K	72-RM22K-1WATT	1	R37
RES 1/4W 27K	72-RM27K	2	R15 R26
RES 1/4W 2R7	72-RM2R7	1	R36
RES 1/4W 470K	72-RM470K	1	R18
RES 1/4W 470R	72-RM470R	2	R2 R13
RES 1/4W 4K7	72-RM4K7	1	R6
RES 1 WATT 4K7	72-RM4K7-1WATT	1	R3
CAP RADIAL 1u0 63V	72-C1-63VER	1	C6
CAP RADIAL 10u 63V	72-C10-63VER	6	C8 C10 C13 C18 C22 C23
CAP RADIAL 100u 16V	72-C100-16VER	1	C2
CAP RADIAL 47u 63V	72-C47-63VER	1	C19
CAP RADIAL 220u 25V	72-C220-25VER	2	C1 C11
CAP CERAMIC 100p 100V	72-C100P-100VCD	1	C12
CAP BOX POLY 2n2 100V	72-C2N2-100VP	1	C20
CAP BOX POLY 100n 100V	72-C100N-100VP	2	C15 C16
CAP BOX POLY 220n 250V	72-C220N-250VP	2	C4 C9
CAP BOX POLY 1uF 250V	72-C1-250VP	1	C5
TRANSISTOR MPSA92	72-TMPSA92	3	TR2 TR3 TR4
TRANSISTOR 2N3904	72-T2N3904	5	TR1 TR8 TR11 TR12

			TR18
TRANSISTOR 2N3906	72-T2N3906	1	TR5
TRANSISTOR TIP31C	72-TIP31C	2	TR10 TR13
TRANSISTOR TIP32C	72-TIP32C	2	TR6 TR9
PRESET 1K0	72-PRESET-1K	2	RV1 RV2
RELAY 47W/6 12V DPCO	73-RELAY-47W	1	RL1
PCB TERMINAL 2 WAY	73-TERM-PCB-2WAY	1	FAN OUTPUT
HEADER 6 WAY 0.1"	72-HEAD-6W-2	1	PL1
HEADER 3 WAY 0.2"	72-HEAD-3W-3	1	PL2
HEADER 2 WAY 0.2"	72-HEAD-2W-2	1	LS1
RES W/W 0R22 4W	72-RWW0R22-4W	4	R17 R28 R34 R35
RES W/W 4R7 4W	72-RWW4R7-4W	1	R31
RES W/W 0R1 4W	72-RWW0R1-4W	1	R30
RES W/W 1K0 2.5W	72-RWW1K-2.5W	1	R1
CAP 4700u 80V SNAP IN	72-CAP-470080V	2	C3 C7
RECTIFIER KBPC804	72-BRIDGE-3	1	DR1 (fit to heatsink)
HEATSINK FINNED	71-HS-TEG	1	fit to DR1
TRANSISTOR 2SC4468	72-T2SC4468	2	TR14 TR16
TRANSISTOR 2SA1695	72-T2SA1695	2	TR7 TR15
TRANSISTOR BUW11A	72-TBUW11A	1	TR17
HEATSINK KR70	74-HS-KR70-1	2	fit to output devices
TRANSISTOR CLIP	74-HS-KR70-CLIP1	5	fit to output devices
THERMAL TRIP 100C	73-SWT-THERM-2	1	fit to heatsink, wire to TRIP1
FIXINGS:	71-SCR-M3X8PP/TT	10	for heatsinks and trip
	71-SCR-M3X16PP	1	for KBPC602
	71-NUT-M3ZINC	1	for KBPC602
	71-WAS-M3AZINC	1	for KBPC602
	71-WAS-M3SCOIL	1	for KBPC602
	71-WAS-M3NYL	8	for heatsinks under PCB
	45-MISC	0.5	

C12-PCB-PC00053x1.

PC00053x1 –TEK300 Input Board

Stereo Keyboard Combo 300 watt - 18/3/97

Description	Part Code	Qty	Where Used
R1/4W,100k	72-RM100K	28	R3-4 R11 R14 R19-20
			R33-34 R39-40
			R46-47 R58-59
			R63-64 R72-73
			R87-88 R104-106
			R111 R120 R122-123 R126
R1/4W,10k	72-RM10K	29	R9-10 R15-18
			R35-36 R41-44
			R60 R62 R67-70
			R94-95 R99-102
			R113 R115-117 R121
R1/4W,15k	72-RM15K	24	R1-2 R5-6 R24-25
			R27-30 R49 R52-56
			R79-82 R86 R89
			R107-108
R1/4W,22k	72-RM22K	11	R23 R26 R48 R51 R74 R75 R98 R110 R114 R118-119
R1/4W,2k2	72-RM2K2	2	R83 R85
R1/4W,470R	72-RM470R	4	R77-78 R92-93
R1/4W,47k	72-RM47K	28	R7-8 R12-13 R21-22
			R31-32 R37-38 R45
			R50 R57 R61 R65-66
			R71 R76 R84 R90-91
			R96-97 R103 R109
			R112 R124-125
CAPCER,100p	72-C100P-100VCD	2	C76-77
CAPCER,330p	72-C330P-100VCD	8	C12-13 C30 C33
			C49-50 C64-65
CAPCER,47p	72-C47P-100VCD2	10	C11 C15 C28 C32 C44
			C47-48 C62 C68 C71
CAPP1,100n	72-C100N-100VP	4	C17 C20 C72-73
CAPP1,22n	72-C22N-100VP	8	C1-2 C18-19 C35-36

			C52-53
CAPP1,2n2	72-C2N2-100VP	8	C3-4 C21-22 C37-38
			C54 C57
CAPP1,4n7	72-C4N7-100VP	8	C6-7 C24 C26 C41-42
			C58-59
CAPE1,10u	72-C10-35VER	11	C9 C16 C25 C34 C40
			C51 C55-56 C61 C67
			C75
CAPE1,1u	72-C1-63VER	21	C5 C8 C10 C14 C23
			C27 C29 C31 C39 C43
			C45-46 C60 C63 C66
			C69-70 C74 C78-80
TL072	72-IC-TL072	11	IC1-11
CON05,	72-HEAD-5W-2	1	PL1
JACKSTEREO,	72-SKT-JCK-PERP	11	SK1-6 SK8-12
POTDUALVERT,	73-POT-B50K-DG	17	RV1-16 RV18
B50k			
POTSINGLEVERT,	73-POT-B50K	1	RV17
B50k			
SWPUSHDPDT,	73-SWT-PUSH	4	SW1-4
XLR	73-XLR-PCB-VERT	1	SK7

C12-PCB-PC00039x1.

USING PC00039x1 - 14/5/97

STEREO KEYBOARD COMBO - CROSSOVER/INTERFACE PCB

Description	Part Code	Qty	Where Used
ZENER1,9V1	72-D-BZX55C9V1	1	Z1
DIODE1,1N4148	72-D-IN4148	3	D1 D2 D3
R1/4W,100K	72-RM100K	2	R18-19
R1/4W,10K	72-RM10K	4	R1-2 R7 R12
R1/4W,15K	72-RM15K	2	R5 R10
R1/4W,1K	72-RM1K	2	R6 R11
R1/4W,33K	72-RM33K	1	R14
R1/4W,47K	72-RM47K	7	R3 R8 R15-16 R20-22
R1/4W,4K7	72-RM4K7	1	R17
R1/4W,68K	72-RM68K	1	R13
R1/4W,6K8	72-RM6K8	2	R4 R9
CAPCER,220pF	72-C220P-100VDC	1	C18
CAPCER,33pF	72-C33P-100VCD2	2	C4 C8
CAPP1,100n	72-C100N-100VP	4	C1 C3 C13 C16
CAPP1,10n	72-C10N-100VP	5	C5-6 C9-10 C15
CAPP1,6n8	72-C6N8-100VP	1	C14
CAPE1,1uF	72-C1-63VER	3	C7 C11 C17
CAPE1,47uF	72-C47-16VER	1	C19
CAPE3,1000uF	72-C1000-16VER	2	C2 C12
TL072	72-IC-TL072	3	IC2 IC4-5
BF423	72-TBF423	2	TR1 TR2
7815 Regulator IC	72-IC-7815-REG	1	IC1
7915 Regulator IC	72-IC-7915-REG	1	IC3
HEATSINK	71-HS-TEG	2	FOR 7815 & 7915
Screw for above	71-SCR-M3-12PPB	2	For fixing IC1 & IC2
Nut for above	71-NUT-M3ZINC	2	For fixing IC1 & IC2
Washer for above	71-WAS-M3INTSP	2	For fixing IC1 & IC2
Heatsink Compound		2	For fixing IC1 & IC2
CON05	72-HEAD-5W-2	2	PL1-2
CON06	72-HEAD-6W-2	1	PL4
CON08	72-HEAD-8W-2	2	PL3 PL5
RLYDPDT1	73-RELAY-47W	2	RL1-2

--	--	--	--

C12-PCB-PC00054x2.

PC00054x1 – TEK300 Master Board

Stereo Keyboard Combo 300 watt – UP-ISSUED 07/6/99 A EWEN

Description	Part Code	Qty	Where Used
R1/4W,100k	72-RM100K	2	R56-57
R1/4W,10k	72-RM10K	8	R18 R34 R22 R41
R1/4W,1k	72-RM1K	7	R7 R36 R47 R50-51
			R54-55
R1/4W,22k	72-RM22K	6	R25 R44-46 R52-53
R1/4W,47R	72-RM47R	2	R21 R35
R1/4W,47k	72-RM47K	10	R5-6 R8 R10 R19-20 R24 R43 R48 R49
R1/4W,4k7	72-RM4K7	3	R23 R42 R58
R1/4W,6k8	72-RM6K8	24	R1-4 R9 R11-17
			R26-33 R37-40
CAPCER,100p	72-C100P-100VCD	2	C2 C4
CAPCER,220p	72-C220P-100VCD	10	C13 C28 C40-41 C44-49
CAPCER,47p	72-C47P-100VCD	2	C16 C34
CAPP1,100n	72-C100N-100VP	4	C6 C21 C32-33
CAPP1,10n	72-C10N-100VP	2	C10 C25
CAPP1,15n	72-C15N-100VP	2	C9 C22
CAPP1,1n	72-C1N-100VP	2	C12 C26
CAPP1,33n	72-C33N-100VP	2	C8 C23
CAPP1,47n	72-C47N-100VP	2	C7 C20
CAPP1,4n7	72-C4N7-100VP	4	C11 C14 C24 C30
CAPTANT,0.15u	72-C0.15-35VT	2	C5 C18
CAPTANT,0.33u	72-C0.33-35VT	2	C3 C19
CAPTANT,1u	72-C1-35VT	4	C17 C31 C35 C39
CAPTANT,4u7	72-C4.7-35VT	2	C29 C38
CAPE1,10u	72-C10-35VER	2	C36-37
CAPE1,1u	72-C1-63VER	5	C1 C15 C27 C42 C43
SSM2013	72-IC-SSM2013	2	IC4-5
TL072	72-IC-TL072	4	IC1-3 IC6
BC549	72-TBC549C	8	TR1-8

3mm RED LED	72-LED-RED-3MM	1	D1
LED SPACER	71-SPA-17.46MM	1	D1
CON05	72-HEAD-5W-2	1	PL1
CON08	72-HEAD-8W-2	1	PL2
JACKSTEREO,	72-SKT-JCK- PERP	2	SK1 SK2
PLASTIC JACK	72-SKT-JK-PERP- P	1	SK3
POTSINGLEVERT,B50k	73-POT-B50K	2	RV1 RV3
SLIDERBANK-5W,B50k	73-SLIDER-5WAY	1	RV2
7 Way jumper links	72-LK-7W50L	2	Connection of RV2
6mm Spacer, Slider Mount	71-SPA-LED- TEG2	2	

C12-PCB-PC00055x1.

PC00055x1 - 18/3/97

STEREO KEYBOARD COMBO - DI BOARD

Description	Part Code	Qty	Where Used
R1/4W,10k	72-RM10K	12	R1-4 R9-13 R15
			R19-20
R1/4W,1k	72-RM1K	4	R7-8 R17-18
R1/4W,2k2	72-RM2K2	4	R5-6 R14 R16
CAPE1,10u	72-C10-35VER	4	C1-4
TL072	72-IC-TL072	2	IC1-2
CON08	72-HEAD-8W-2	1	PL1
SWPUSHDPDT,	73-SW-F2UEE	1	SW1
XLR	73-XLR-PCB-M	2	SK1-2

C12-PCB-TEK3-HF x2.

USING PC00031 ISSUE 3. label the pcb 'TEK300 HF' – 17/7/98

<u>Description</u>	<u>Part Code</u>	<u>Qty</u>	<u>Where Used</u>
PCB 'The Penguin'	73-PCB-PC00031	1	At issue 3
Diode 1N4148	72-D-1N4148	3	D1 D2 D3
Zener diode 15V	72-D-BZY55C15	1	Z1
extra links	72-RCZERO	11	R13 R14 & As marked
Res 1/4w 100K	72-RM100K	3	R12 R21 R24
Res 1/4w 100R	72-RM100R	1	R11
Res 1/4w 10K	72-RM10K	1	R23
Res 1/4w 1K0	72-RM1K	2	R4 R18
Res 1/4w 27K	72-RM27K	1	R8
Res 1/4w 2K2	72-RM2K2	2	R17
Res 1/4w 2K7	72-RM2K7	3	R1 R6
Res 1/4w 3K3	72-RM3K3	1	R3
Res 1/4w 470R	72-RM470R	1	R19
Res 1/4w 47K	72-RM47K	2	R10 R16
Res 1/4w 4K7	72-RM4K7	1	R22
Res 1w 4R7	72-RM4R7-1WATT	1	R9
Res 1/4w 5K6	72-RM5K6	1	R20
Res 1watt 1k	72-RM1K-1WATT	1	R7
Cap ceramic 100p 0.2"	72-C100P-100VCD	1	C5
Cap ceramic 220p 0.2"	72-C220P-100VCD	1	C16
Cap box poly 10n 0.2"	72-C22N-100VP	1	C8
Cap box poly 68n 0.2"	72-C68N-100VP	1	C12
Cap box poly 100n 0.2"	72-C100N-100VP	2	C4 C13
Cap radial elec 1u0 63V	72-C1-63VER	2	C7 C14
Cap radial elec 10u 16V	72-C10-16VER	2	C11 C15
Cap radial elec 47u 16V	72-C47-16VER	3	C1 C2 C6
Cap radial elec 100u 16V	72-C100-16VER	1	C3
Transistor JFET J111	72-FET-J-111	2	TR4 TR8
Transistor MPSA42	72-TMPSA42	1	TR5
Transistor MPSA92	72-TMPSA92	2	TR6 TR7
Header 3 way 0.1"	72-HEAD-3W-2	1	PL1
Res 2.5w 0R22	72-RWW0R2-2.5W	2	R2 R5
Res 2.5w 0R33	72-RWW0R33-2.5W	1	R15
Header 2 way 0.2"	72-HEAD-2W-2	1	LS1
Header 5 way 0.1"	72-HEAD-5W-2	1	PL2
Bridge rectifier KBPC602	72-BRIDGE-2	1	DR1
Cap snap in 4700u 35V	72-CAP-470035V	2	C9 C10
Transistor BD647	72-TBD647	1	TR1 (on heatsink)
Transistor BD648	72-TBD648	1	TR3 (on heatsink)
Transistor TIP31C Motorola!!!	72-TIP31C-MO	1	TR2 (on heatsink) Motorola!!!
PCB mounting bracket	73-TERM-SCREW-M3	2	solder into PCB
Heatsink for The Penguin	TEK300 Cooling tunnel		fixed to TR1 -- TR3 with:
M3 X 12mm pozi pan head	71-SCR-M3X12PP	5	
M3 shakeproof washers	71-WAS-M3INTSP	3	
M3 hex nuts	71-NUT-M3ZINC	3	
Insulating kits	72-MOS-PAD-TO220	3	

ADD RMOD1 - add a 72-RM10K on the underside of the PCB from pin 3 of TR1 to pin 1 of TR2. This is very important!! Also ensure that this is sleeved.

NB. To avoid the transistor mounting screws fouling on the Fan, please fit all screws with the nuts on the transistor side, i.e. screw heads with their black bushes fitted through from the heatsink.

TEK300 COMBO - PARTS LIST.

Item	Description	Part Code	Qty	Notes
1	Cabinet		1	To Dwg: SKC-1 Rev A
2	Chassis		1	To Dwg: SKC-3 Rev A
3	6mm Plastic Spacers	71-SPA-6MM	10	For spacing PCB from chassis
4	Fused Mains Inlet	72-FUSED-INLET	1	
5	20mm Fuse	72-FUSE-3.15AT	1	3.15AT for Europe 6.3AT for USA
6	Mains Switch	73-SWT-MAINS-GRN	1	
7	Small Knob	71-KNOB-SMX-SM	15	
8	Large Knob	71-KNOB-SMX-LG	5	For LEVEL controls
9	Push Button Cap White	71-CAP-SWT-S6	5	
10	8 Way cable form	72-LK-10C-8W	2	Preamp to Crossover Crossover to DI PCB (same as Acoustic PA)
11	6 Way cable form		1	300mm long - in line skts Bipolar bear to Crossover (same as Acoustic PA)
12	5 Way cable form		1	100mm long - in line skts Crossover to Penguin
13	5 Way cable form		1	350mm long - in line skts Crossover to Penguin
14	80mm 24v fan	73-FAN-DC2480	1	
15	Cooling Tunnel		1	To Dwg: SKC-4
16	Penguin PCB Assy PC00031		2	Made up as TRAMP but modified as per separate instructions (same as Acoustic PA)
17	Bipolar bear PCB Assy PC00026		1	Modified as per separate instructions (same as Acoustic PA)
18	Toroidal Mains Transformer		1	Demeter - Acoustic PA Transformer
19	PC00053 Complete assy		1	Input Board

20	PC00054 Complete assy		1	Master Board
21	PC00055 Complete assy		1	DI Board
22	PC00039 Complete assy		1	Built to PARTS LIST for STEREO KEYBOARD COMBO CROSSOVER (Different to Acoustic PA)
23	M3 threaded 20mm long hex spacers		9	Farnell - 517-598 pack of 25
24	M3 x 6mm posi pan - blk	71-SCR-M3X6PPB	21	Front panel & PCB Fixing
25	M3 sproof washer	71-WAS-M3INTSP	17	PCB Fixing
26	M4 x 10mm posi pan blk	71-SCR-M4X10PP	5	Cooling Tunnel & Earth
27	M4 sproof washer	71-WAS-M4INTSP	5	
28	M4 nut	71-NUT-M4ZINK	1	Earth
29	M6 80mm long bolt	71-SCR-M6X80PP	1	Transformer Fixing
30	M6 x 20mm screw	71-SCR-M6X20PP	4	Chassis fixing
31	M6 flat washer	71-WAS-M6CBLK	5	Chassis & Tx Fixing
32	M6 nut nylock	71-NUT-M6NYLK	1	Transformer Fixing
33	Speaker Grill		1	To Dwg: SKC-2 Rev A
35	Front Panel		1	To Dwg: SKC-5 Rev A
36	Input Panel		1	To Dwg: SKC-5 Rev A
37	No 4 x 1/4 posi pan blk	71-SCR-4X1/4PPB	2	XLR Fixing
38	Grill Fixing screws	?	8	
39	15" Speaker	75-LSP-C1504PA	1	
40	5" Speaker	75-LSP-C508	4	2 x Pairs wired in parallel
41	Mains cable	73-LEAD-UK	1	Appropriate cable per country
42	Operating Instructions		1	
43	Packing		1	
44	Speaker Plugs 2 way	72-SKT-IDC-2W-2	3	