



SERVICE MANUAL

YBA200

TYPE: YS1029

WEB ACCESS: <http://www.yorkville.com>

WORLD HEADQUARTERS CANADA

Yorkville Sound
550 Granite Court
Pickering, Ontario
L1W-3Y8 CANADA

Voice: (905) 837-8481
Fax: (905) 837-8746

U.S.A.

Yorkville Sound Inc.
4625 Witmer Industrial Estate
Niagara Falls, New York
14305 USA

Voice: (716) 297-2920
Fax: (716) 297-3689



Quality and Innovation Since 1963
Printed in Canada



IMPORTANT SAFETY INSTRUCTIONS



INSTRUCTIONS PERTAINING TO A RISK OF FIRE, ELECTRIC SHOCK, OR INJURY TO PERSONS

INSTRUCTIONS RELATIVES AU RISQUE DE FEU, CHOC ÉLECTRIQUE, OU BLESSURES AUX PERSONNES

CAUTION:

TO REDUCE THE RISK OF ELECTRIC SHOCK, DO NOT REMOVE COVER (OR BACK).

NO USER SERVICEABLE PARTS INSIDE.

REFER SERVICING TO QUALIFIED SERVICE PERSONNEL.

AVIS:

AFIN DE REDUIRE LES RISQUE DE CHOC ELECTRIQUE, N'ENLEVEZ PAS LE COUVERT (OU LE PANNEAU ARRIERE)

NE CONTIENT AUCUNE PIECE REPARABLE PAR L'UTILISATEUR.

CONSULTEZ UN TECHNICIEN QUALIFIE POUR L'ENTRETIEN

Read Instructions

The Owner's Manual should be read and understood before operation of your unit. Please, save these instructions for future reference.

Packaging

Keep the box and packaging materials, in case the unit needs to be returned for service.

Warning

When using electric products, basic precautions should always be followed, including the following:

Power Sources

Your unit should be connected to a power source only of the voltage specified in the owners manual or as marked on the unit. This unit has a polarized plug. Do not use with an extension cord or receptacle unless the plug can be fully inserted. Precautions should be taken so that the grounding scheme on the unit is not defeated.

Hazards

Do not place this product on an unstable cart, stand, tripod, bracket or table. The product may fall, causing serious personal injury and serious damage to the product. Use only with cart, stand, tripod, bracket, or table recommended by the manufacturer or sold with the product. Follow the manufacturer's instructions when installing the product and use mounting accessories recommended by the manufacturer.

The apparatus should not be exposed to dripping or splashing water; no objects filled with liquids should be placed on the apparatus.

Terminals marked with the "lightning bolt" are hazardous live; the external wiring connected to these terminals require installation by an instructed person or the use of ready made leads or cords.

No naked flame sources, such as lighted candles, should be placed on the apparatus.

Power Cord

The AC supply cord should be routed so that it is unlikely that it will be damaged. If the AC supply cord is damaged DO NOT OPERATE THE UNIT.

Service

The unit should be serviced only by qualified service personnel.

Veillez Lire le Manuel

Il contient des informations qui devraient être comprises avant l'opération de votre appareil. Conservez S.V.P. ces instructions pour consultations ultérieures.

Emballage

Conservez la boîte au cas où l'appareil devait être retourner pour réparation.

Attention:

Lors de l'utilisation de produits électrique, assurez-vous d'adhérer à des précautions de bases incluant celle qui suivent:

Alimentation

L'appareil ne doit être branché qu'à une source d'alimentation correspondant au voltage spécifié dans le manuel ou tel qu'indiqué sur l'appareil. Cet appareil est équipé d'une prise d'alimentation polarisée. Ne pas utiliser cet appareil avec un cordon de raccordement à moins qu'il soit possible d'insérer complètement les trois lames. Des précautions doivent être prises afin d'éviter que le système de mise à la terre de l'appareil ne soit désengagé.

Risque

Ne pas placer cet appareil sur un chariot, un support, un trépied ou une table instables. L'appareil pourrait tomber et blesser quelqu'un ou subir des dommages importants. Utiliser seulement un chariot, un support, un trépied ou une table recommandés par le fabricant ou vendus avec le produit. Suivre les instructions du fabricant pour installer l'appareil et utiliser les accessoires recommandés par le fabricant.

Il convient de ne pas placer sur l'appareil de sources de flammes nues, telles que des bougies allumées.

L'appareil ne doit pas être exposé à des égouttements d'eau ou des éclaboussures et qu'aucun objet rempli de liquide tel que des vases ne doit être placé sur l'appareil.

Les dispositifs marqués d'une symbole "d'éclair" sont des parties dangereuses au toucher et que les câblages extérieurs connectés à ces dispositifs de connexion extérieure doivent être effectués par un opérateur formé ou en utilisant des cordons déjà préparés.

Cordon d'Alimentation

Évitez d'endommager le cordon d'alimentation. N'UTILISEZ PAS L'APPAREIL si le cordon d'alimentation est endommagé.

Service

Consultez un technicien qualifié pour l'entretien de votre appareil.

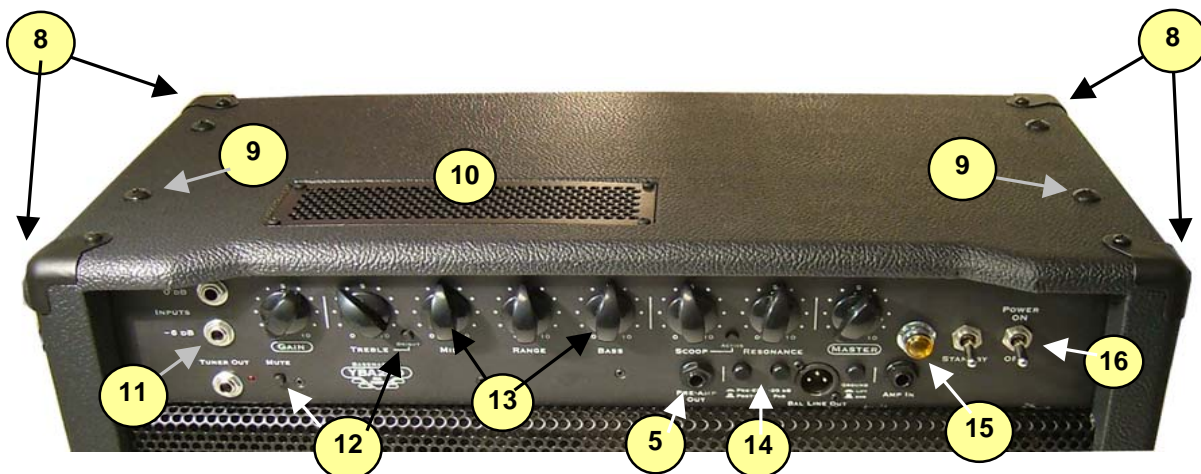
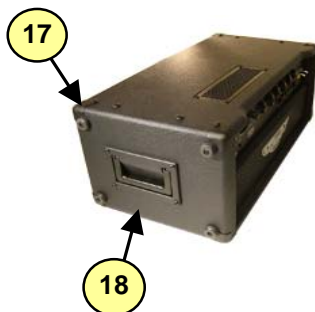
YBA200

YS No.	Description	Qty.	YS No.	Description	Qty.
6397	JEWELLED PILOT LAMP AMBER REG V1	1	2007	1/4W 1R 5%FLAME PROOF T&R RES	1
5906	RED 3MM LED 1V9 20MA .4SPCER T&R	1	2008	1.0W 10R 5%FLAME PROOF T&R RES	4
6398	RED 5MM LED 1V5 20MA HIGH EFF	1	4612	1/2W 18R 5% T&R RES	3
6399	YEL 5MM LED 1V5 20MA HIGH EFF	1	4704	5.0W 33R 5% BLK RES	1
6888	HER508 1000V 3A0 DIODE ULTRAFAS	4	2023	1/8W 220R0 1%FLAME PROOF T&R RES	2
6438	1N4007 400V 1A0 DIODE T&R	9	2024	1/8W 249R 2%FLAME PROOF T&R RES	2
6440	1N750ARL 4V7 0W5 ZENER 5% T&R	1	4713	1.0W 470R 5% T&R RES	2
6426	1N5254B 27V0 0W5 ZENER 5% T&R	1	4869	1/4W 750R 5% T&R RES	1
6475	1N5262B 51V0 0W5 ZENER 5% T&R	8	4822	1/4W 820R 5% T&R RES	4
6871	MC7915CT TO220 N 15V0 REG V2	1	4823	1/4W 1K 5% T&R RES	1
6872	MC7815CT TO220 P 15V0 REG V1	1	4854	1/4W 1K2 5% T&R RES	1
5101	BC550C TO92 NPN TRAN T&R TB	3	4824	1/4W 1K5 5% T&R RES	1
5104	MPSA56 TO92 PNP TRAN T&R TA	4	4791	1/4W 1K54 1% T&T RES	1
6882	TL072CP IC FET DUAL OP AMP	1	4738	5.0W 1K8 5% BLK RES	4
5400	10P 100V 10%CAP T&R BEAD NPO	1	4808	1/4W 2K 5% T&R RES	1
5203	47P 100V 2%CAP T&R RAD CER.2"NPO	2	4847	1/4W 2K2 5% T&R RES	1
5197	220P 100V 2%CAP T&R RAD CER.2"NPO	1	4826	1/4W 3K3 5% T&R RES	1
5816	680P 100V 5%CAP T&R RAD CER.2"NPO	1	4827	1/4W 4K7 5% T&R RES	1
5206	1N 400V 5%CAP T&R RAD .2"FLM	2	4663	1/2W 8K2 5% T&R RES	4
5208	2N2 400V 5%CAP T&R RAD .2"FLM	1	4863	1/4W 8K2 5% T&R RES	3
5209	4N7 250V 5%CAP T&R RAD .2"FLM	1	4829	1/4W 10K 5% T&R RES	9
6451	4N7 250V 20%CAP BLK 'Y' 10MM AC	1	5031	1.0W 10K0 5% T&R	1
5272	6N8 100V 5%CAP T&R RAD .2"FLM	2	4860	1/4W 11K 5% T&R RES	2
5204	10N 100V 10%CAP T&R RAD .2"FLM	2	4831	1/4W 18K 5% T&R RES	4
5834	10N 250V 20%CAP BLK RAD POLY FLM	4	4832	1/4W 22K 5% T&R RES	1
5205	15N 100V 10%CAP T&R RAD .2"FLM	1	4834	1/4W 47K 5% T&R RES	7
5840	22N 400V 10%CAP BLK RAD POLY FLM	5	4848	1/4W 62K 5% T&R RES	1
6435	22N 275V 20%CAP BLK 'X'2 15MM AC	1	4836	1/4W 68K 5% T&R RES	1
5222	33N 100V 10%CAP T&R RAD .2"FLM	1	4837	1/4W 82K 5% T&R RES	1
5224	47N 100V 10%CAP T&R RAD .2"FLM	1	4838	1/4W 100K 5% T&R RES	7
5228	100N 100V 5%CAP T&R RAD .2"FLM	9	4776	1/4W 113K 1% T&R RES	6
5314	100N 50V 10%CAP T&R BEAD X7R	1	4851	1/4W 120K 5% T&R RES	2
5865	100N 250V 10%CAP BLK RAD POLY FLM	1	4790	2.0W 150K 5%10MM BODY T&R RES	6
5229	150N 63V 10%CAP T&R RAD .2"FLM	2	4886	1/4W 200K 5% T&R RES	2
5231	220N 63V 10%CAP T&R RAD .2"FLM	2	4841	1/4W 220K 5% T&R RES	2
5882	220N 250V 10%CAP BLK RAD POLY FLM	3	6145	1/4W 249K 1%MINI T&R RES	4
5258	4U7 63V 20%CAP T&R RAD .2"EL	1	4843	1/4W 470K 5% T&R RES	6
5629	10U 160V 20%CAP BLK 10X13MM EL	1	4844	1/4W 1M 5% T&R RES	6
5945	10U 63V 20%CAP T&R RAD .2"EL	2	4845	1/4W 2M2 5% T&R RES	2
5959	10U 450V 20%CAP BLK EL	1	4751	1/4W 22M 5% T&R RES	1
5260	22U 50V 20%CAP T&R RAD .2"EL	8	3535	10" 9C-26AWG RIB 1 W/LCK HDR 098	1
5958	22U 350V 20%CAP BLK 13X25 EL	4	8741	4-40 X 1/2 PAN PH MS JS500	2
5879	100U 16V 20%CAP T&R 8X7MM .2"EL	1	8842	#4 X 5/16 PAN QUAD TYPE A JS500 BLK	2
5619	330U 100V 20%CAP BLK 12X25MM EL	1	8832	6-32 X 1/4 PAN PH TAPTITE JS500	40
5957	470U 350V 20%CAP BLK 30X50 EL	2	8807	6-32 X 5/16 PAN PH MS JS500	6
5618	470U 25V 20%CAP BLK 10X15MM EL	5	8801	6-32 X 3/8 PAN PH TAPTITE JS500	2
4423	20K 15AAUDIO 9MM P32	1	8829	6-32 X 3/8 FLAT PH TAPTITE BO#4 HEA	14
4424	100K 1B LIN 9MM P32	2	8755	#6 X 5/8 PAN PH TYPE A JS500 BLACK	12
4425	500K 15AAUDIO 9MM P32	5	8809	10-32 X 1/4 PAN PH TAPTITE JS500	4
713	25 X 20 X 50 2 MIL PLASTIC BAG	1	8753	#10 X 1/2 PAN PH TYPE A JS500 BLACK	12
8521	RUBBER BUMPER WITH WASHER VERYSMALL	8	8756	#10 X 3/4 PAN PH TYPE A BLACK OXIDE	16
8522	RUBBER BUMPER WITH WASHER -SMALL-	4	8770	1/4-20 X 1 5/16 TRUSS PH MS JS500	4
8570	CORNER, 2 LEGS NOTCED LIP BLACK	8	8736	5/16-18X2-3/4 GRD 5 HEX BOLT JS500	2
3467	CLIP 205X032 14-16AWG DISC/INSUL	2	3865	1/2 PLASTIC HEX SPACER #6	19
3478	CLIP 205/187X032 18-22AWG DISCO/INS	1	8482	3/8 1D FLAT WASHER	3
3490	CLIP 250X032 14-16AWG DISCO/INSL	10	8488	3/8 INT TOOTH LOCKWASHE ZINC	3
3601	RING TERMINAL 16AWG WIRE & #8 SCREW	2	8818	3/4 OD X 3/8 ID X .080 THICK WASHER	4
3682	250 MALE PCB TAB REEL	21	8817	#10 FLAT WASHER FOR 3/16" BOLT	4
3498	1/4" JCK PCB MT HORZ	3	3424	DPDT SLID SW PCMT H GOLD CONTACTS	1
3523	1/4" JCK PCB MT HORZ GOLD T__	1	3436	DPDT PUSH SW PCMT H BREAK B4 MAKE	3
3921	1/4" JCK PCB MT VERT STER RT SWT	3	3522	DPDT MINI PC VERT SNP ALT	3
6956	SPKON 4C PCB MT HORZ GRY #4	1	3554	DPDT TOGGLE SW QUICK .250" CARLING	2
3923	XLR MALE PCB MT HORZ MTHOLE-V SNAP	1	3732	9 PIN PC MOUNT TUBE SOCKET BE	3
3451	EYELET SMALL 0.089 OD PLATED	16	3984	8 PIN PC MOUNT TUBE SOCKET BE	4
2486	1.5 AMP SLO-BLO T&R FUSE	2	4021	SPRING RETAINER FOR 6550	4
2463	T6,3A 5X20MM FUSE	1		12AU7 DUAL TRIODE PREAMP TUBE	1
3856	FAN 80MM X 80MM 39CFM 12VDC 200MA	1		12AX7 DUAL TRIODE PREAMP TUBE	2
8542	HANDLE, RECESSED,PULL, BLACK PLASTIC	2		6550 TETRODE OUTPUT POWER TUBE	4
8889	RUBBER GROMMET #2183-034-BLK	3		YBA1 120VAC 60HZ TRD	1
3438	IEC PWR SOC W/.205TAB &FUSE 10A250V	1		YBA1 OUTPUT XFMR	1
3810	4" NYLON CABLE TIE	5			
3827	SQUARE BUMPER BUTTON BLACK	1			
8430	YCV40 CHICKEN-BEAK KNOB	8			
8633	ROUND PUSH BUTTON 1/4" BLACK	3			
8649	BUTTON KNOB FLAT BLACK	3			
3428	8' 3/18 SJT AC LINE CORD REMOVABLE	1			
8264	YBA200 LOGO EMBOSSED ALUMINUM	1			
3674	9 CIR CABLE HOLDER .098	1			
8701	4-40 KEPS NUT ZINC	2			
8800	6-32 KEPS NUT ZINC	8			
8890	1/4-20 CAGE NUT C79-88142027	4			
8797	5/16-18 KEPS NUT JS500	2			
3796	ELASTOMER PAD TSIL 1.0X0.8	2			
3850	TO-220 PLASTIC TRANSISTOR INSULATOR	2			
4004	9 CIR WAFER W/LCK VT 0.1"	1			
4597	22AWG STRAN TC WIR JMP	22			
4599	22AWG SOLID SC WIR T&R JMP	57			



YBA200

Traynor Bass Amplification



#	Part#	Description
Labeled Components		
1	8264	YBA200/YCV LOGO EMBOSSED ALUMINUM
2	Z536	YBA200 FRONT GRILL*†
3	3438	IEC PWR SOC W/.250TAB & FUSE 10A
4	Z540	YBA200 BACK GRILL*†
5	3450	1/4" JCK PCB MT HORZ GOLD
6	3424	DPDT SLID SW PCMT H GOLD CONTACTS
7	8522	RUBBER BUMPER WITH WASHER -SMALL
8	8570	CORNER, 2 LEGS NOTCHED LIP BLACK
9	8770	1/4-20X1 5/16 TRUSS PH MS JS5
10	Z537	YBA200 CABINET VENT PLATE
11	3498	1/4" JCK PCB MT HORZ
12	8633	ROUND PUSH BUTTON 1/4" BLACK
13	8430	YCV40 CHICKEN BEAK KNOB
14	8649	BUTTON KNOB FLAT BLACK
15	6397	JEWELLED PILOT LAMP AMBER REG
16	3554	DPDT TOGGLE SW QUICK .250"
17	8521	RUBBER BUMPER WITH WASHER -VERYSMALL
18	8452	HANDLE, RESESSED, PULL, BLACK PLASTIC
19	3428	8' 3/18 SJT AC LINE CORD REMOVABLE
20	12AX7	12AX7 DUAL TRIODE PREAMP TUBE
21	12AU7	12AU7 DUAL TRIODE PREAMP TUBE
22	6550	6550 TETRODE OUTPUT POWER TUBE
23	4021	SPRING RETAINER FOR 6550

20/21/22

not shown

*NOTE: Replacement grills are 'Special-Order' and are only available while the model is in production.

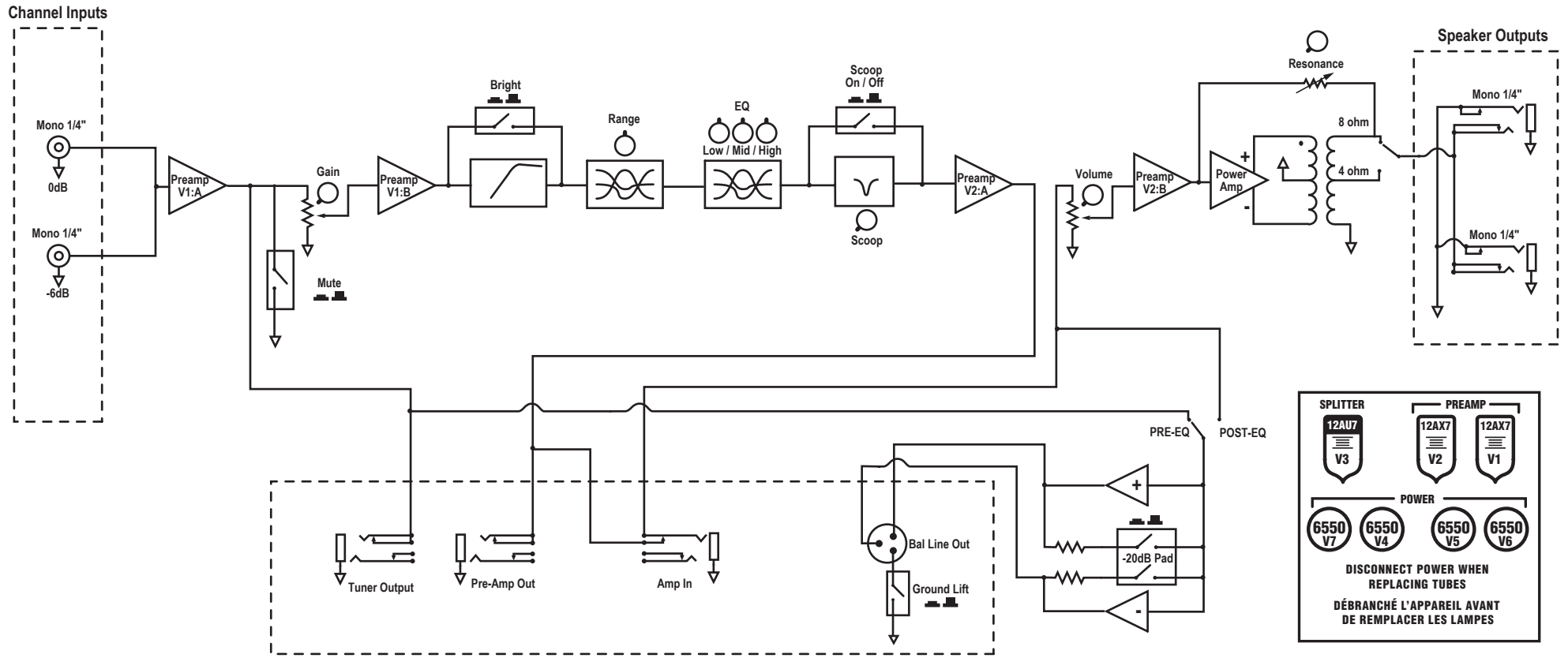
† Grilles & Support replacements are for CURRENT models only.

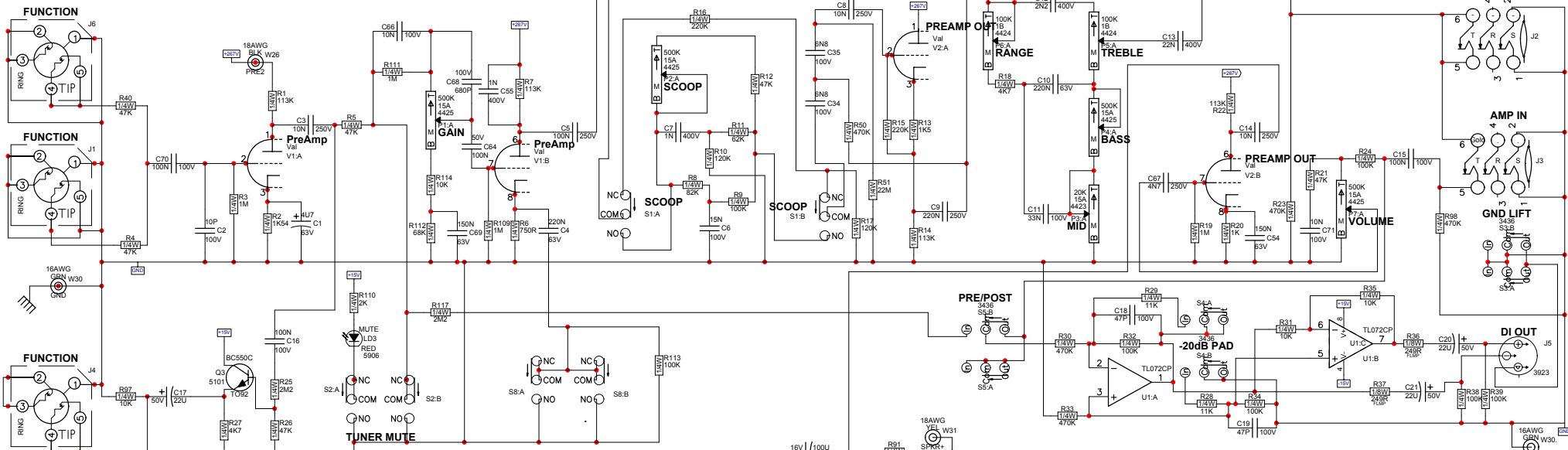
**Real Gear.
Real People.**

MODEL TYPE: YS1029

Block Diagram for YBA200

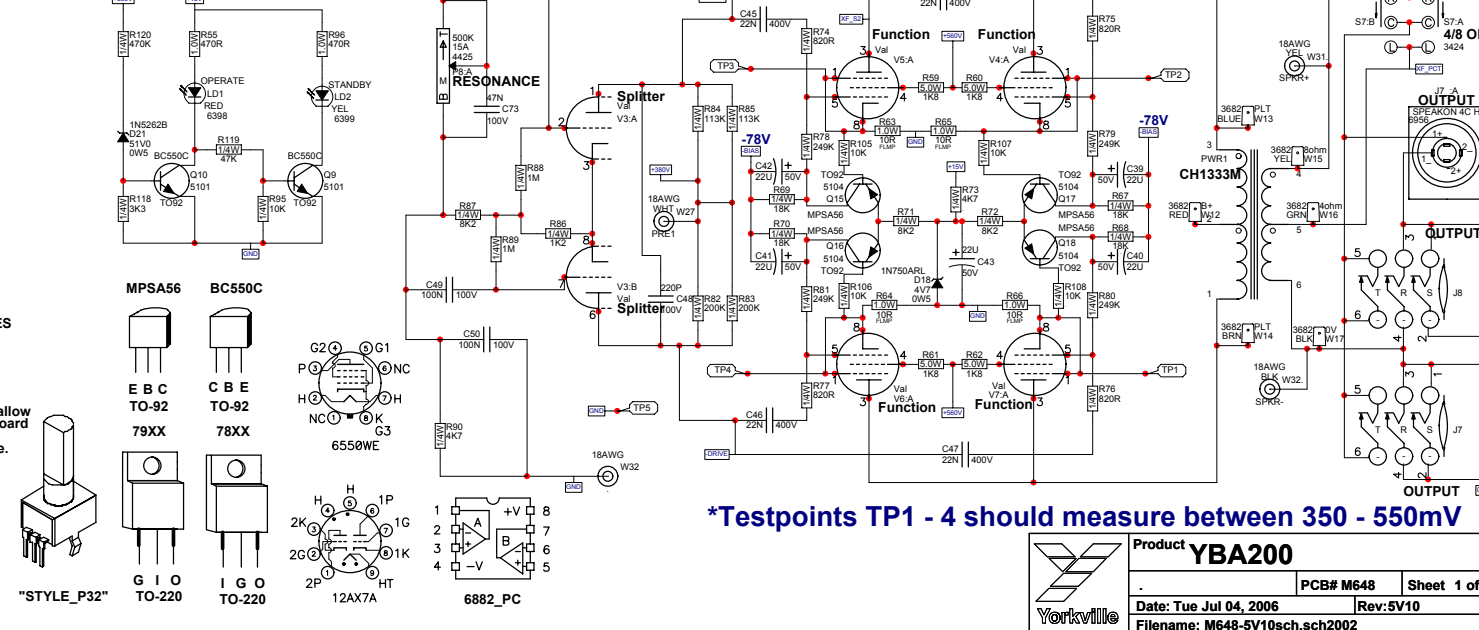
DESIGNED AND MANUFACTURED BY YORKVILLE SOUND



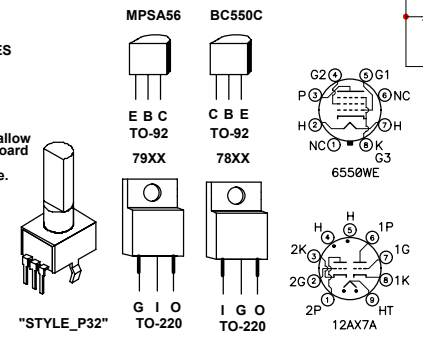


M648				
MODEL(S):- YBA200				
REF	FUNCTION	PART#	KNOB	TYPE
P1	GAIN	4425	8430	P32
P2	SCOOP	4425	8430	P32
P3	MID	4425	8430	P32
P4	BASS	4425	8430	P32
P5	TREBLE	4424	8430	P32
P6	RANGE	4424	8430	P32
P7	VOLUME	4425	8430	P32
P8	RESONANCE	4425	8430	P32
R	F	P	K	N
R	F	P	K	N
R	F	P	K	N

M648 PCB HISTORY			
#	DATE	VER#	DESCRIPTION OF CHANGE
1	22 Sept. 2003	1.00#1	2nd Proto
2	9 Jan. 2004	v1.00	fixed heatsink and made value changes
3	10-MAR-2004	V2.00	CHNGD SKRN - EYELET # SAME ON BOTH SIDE OF WIRES
4	16-MAR-2004	V2.00	CHNGD SKRN - TUBES NOW HAVE "V" DESIGNATION
5	22-MAR-2004	V2.00	PC#6672 - Change D20 from 20V to 27V0 zener (6426)
6	30-MAR-2004	V2.00	PC#6672 - Corrected colour labels on LD1 & LD2
7			PC#6672 - Apply masking to mount pins of S7
8			PC#6673 R120 CHANGED 470K->470K (#4821->4843)
9			Added extra breakaways
10	19-APR-2004	V3.00	PC#680 Add header to ribbon & tabs to ease wiring and allow for double insulated wire on STDBY and HV from power board to preamp. Modified STDBY switching.
11			Updated net classes and class to class rules for hi-voltage.
12	4 May, 2004	v3.01	
13	25-MAY-2004	V4.00	PC#6687 Replace D5-8 1N5408->1UF5408 (HER508)
14	07-JUN-2004	V4.10	Removed copper pours on sockets and force updated
15	10-JUN-2004	V4.11	PC#6688 - Replaced 100R 5W R56 with 33R 5W #4704 wirewound
16			PC#6692 - Moved VCD hole 1.5" to left and bottom left
17			ETCH GUIDE. PC#6693 - Added RTV holes to all large capacitors (C32-C33, C24-C27, C52-53, C38, C72, C59, C61-C62 and AC Caps C22-C23)
18			Updated z352 - new mounting hole sizes
19	20-OCT-2004	V5.00	AH, PC#6894, 6897 AND 6937
20	27-OCT-2005	V5.10	AH, PC#7118, REMOVE ROUTE CAUSE CUTTING R68
21	23-JUN-2006	V5.10	PC#7108, MOVE SILPAD UNDER 7915 INSTEAD 7815
22			
23			
24			
25			
26			
27			
28			
29			
30			



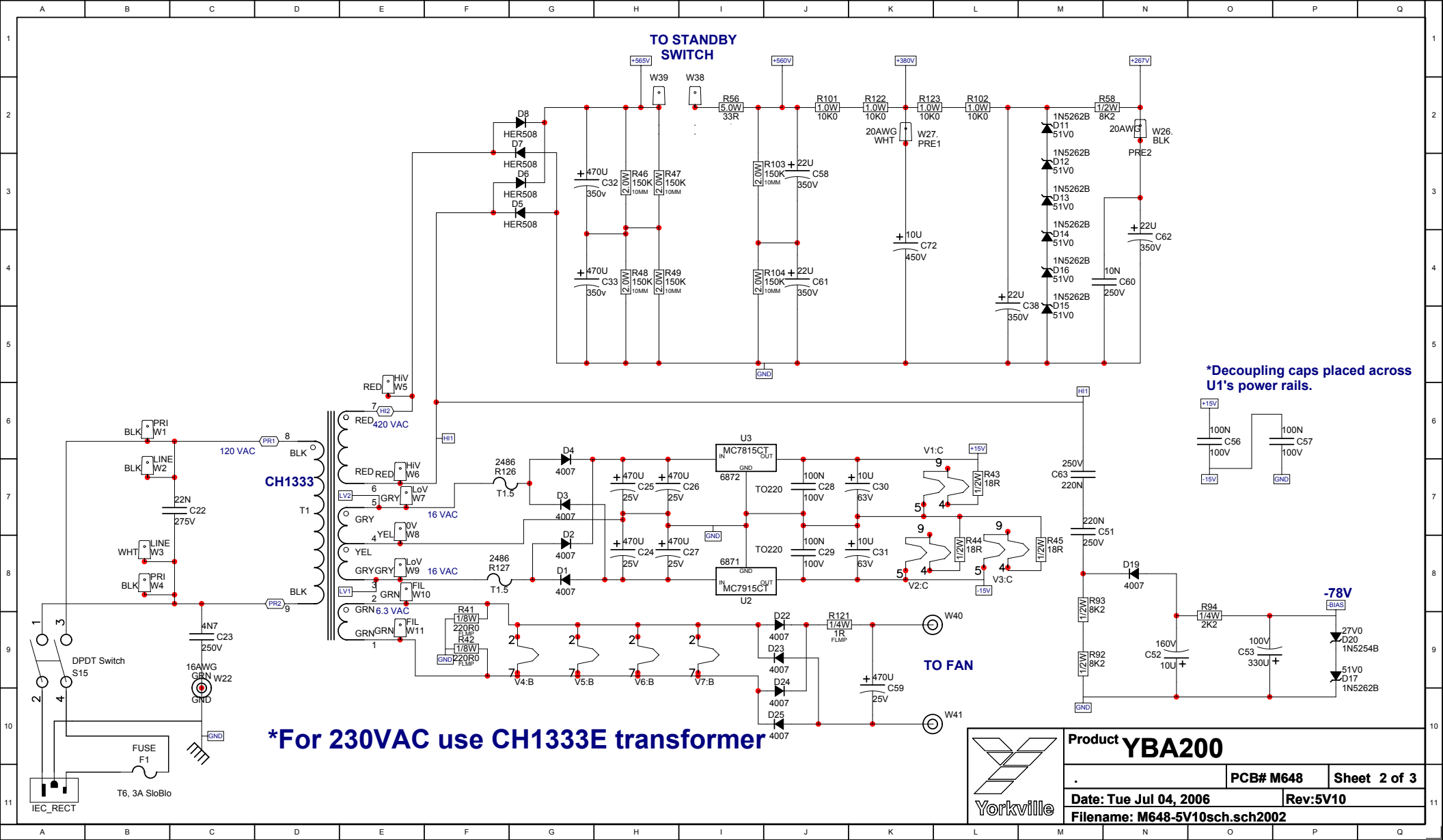
*Testpoints TP1 - 4 should measure between 350 - 550mV



"STYLE_P32"



Product	YBA200	
	PCB# M648	Sheet 1 of 3
Date:	Tue Jul 04, 2006	Rev:5V10
Filename:	M648-5V10sch.sch2002	



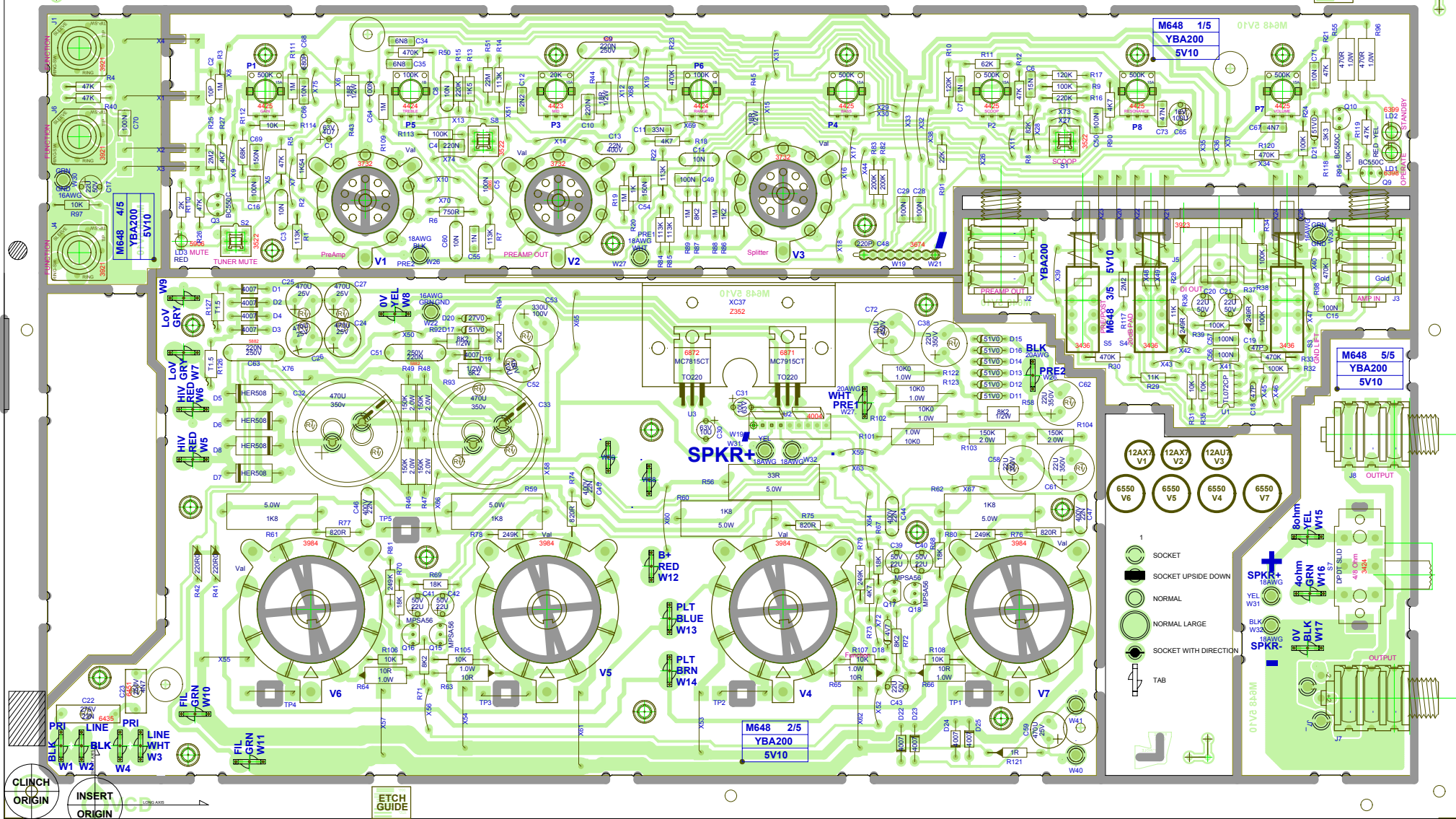
TO STANDBY SWITCH

*Decoupling caps placed across U1's power rails.

*For 230VAC use CH1333E transformer



Product YBA200		
PCB# M648		Sheet 2 of 3
Date: Tue Jul 04, 2006		Rev: 5V10
Filename: M648-5V10sch.sch2002		



SEE LAYOUT DOCUMENTATION

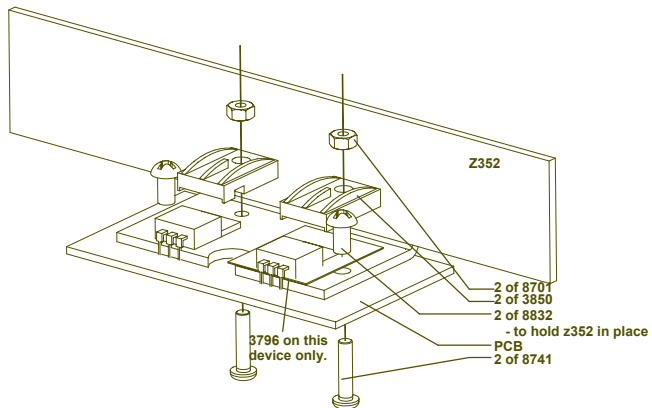


SEE LAYOUT DIAGRAM



M648 PCB HISTORY			
MODEL(S):-		YBA200	
#	DATE	VER#	DESCRIPTION OF CHANGE
1	22 Sept, 2003	1.00p1	2nd Proto
2	9 Jan, 2004	v1.00	fixed heatsink and made value changes
3	10-MAR-2004	V2.00	CHNGD SKRN - EYELET # SAME ON BOTH SIDE OF WIRES
4			CHNGD SKRN - TUBES NOW HAVE 'V' DESIGNATION
5	16-MAR-2004	V2.00	PC#6872 - Change D20 from 20V0 to 27V0 zener (6426)
6			PC#6872 - Corrected colour labels on LD1 & LD2
7	22-MAR-2004	V2.00	PC#6872 - Apply masking to mount pins of S7
8	30-MAR-2004	V2.00	PC#6873 R120 CHANGED 470R->470K (#4821->4843)
9			Added extra breakways
10	19-APR-2004	V3.00	PC#6680 Add header to ribbon & tabs to ease wiring and allow for double insulated wire on STDBY and HV from power board to preamp. Modified STDBY switching.
11			Updated net classes and class to class rules for hi-voltage.
12	4 May, 2004	v3.01	
13	25-MAY-2004	V4.00	PC#6687 Replace D5-8 IN5408->UF5408 (HER508)
1			Removed copper pours on sockets and force updated
2	07-JUN-2004	V4.10	PC#6688 - Replaced 100R 5W R56 with 33R 5W #4704 wirewound
3			PC#6692 - Moved VCD hole 1.5" to left and bottom left
4	10-JUN-2004	V4.11	ETCH GUIDE. PC#6693 - Added RTV holes to all large capacitors (C32-C33, C24-C27, C52-53, C38, C72, C58, C61-C62 and AC Caps C22-C23)
5			Updated z352 - new mounting hole sizes
6			AH, PC#6894, 6897 AND 6937
7	20-OCT-2004	V5.00	AH, PC#7118, REMOVE ROUTE CAUSE CUTTING R68
8	27-OCT-2005	V5.10	PC#7108, MOVE SILPAD UNDER 7915 INSTEAD 7815
9			N
10			N
11			N
12			N
13	D	V	N

M648				
MODEL(S):-		YBA200		
REF	FUNCTION	PART#	KNOB	TYPE
P1	GAIN	4425	8430	P32
P2	SCOOP	4425	8430	P32
P3	MID	4423	8430	P32
P4	BASS	4425	8430	P32
P5	TREBLE	4424	8430	P32
P6	RANGE	4424	8430	P32
P7	VOLUME	4425	8430	P32
P8	RESONANCE	4425	8430	P32
R	F	P	K	N
R	F	P	K	N
R	F	P	K	N
R	F	P	K	N



PRODUCTION NOTES

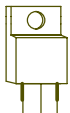
1. BEND THE SUPPORT LEADS ON THE FOUR POWER TUBE SOCKETS AFTER INSERTION.
2. USE SOLDER JIG FOR WAVESOLDERING.
3. WHEN REQUIRED, A #6956 SPEAKON WILL FIT IN THE SPACE OF J7.
4. ENSURE R56 IS #4704 WIREWOUND.
5. MOVE SILPAD TO BE UNDER #6871 INSTEAD #6872

M648 DRILL HISTORY			
MODEL(S):-		YBA200	
#	DATE	VER#	DESCRIPTION OF CHANGE
1	25-FEB-04	V01	
2	30-MAR-2004	V02	Extra breakways added
3	20-APR-2004	V03	C31 moved, some eyelets chg. to tabs, header added to W19 Added copper pours to octal socket pads.
4			
5	5 May, 2004	V3.01	Update octal sockets to ensure routed hole is sectioned. Added route slots to provide high-voltage clearance.
6			
7	25-MAY-2004	V04	Sockets now have slots
8	10-JUN-2004	V06	PC#6692 AND PC#6693 SEE PCB HISTORY BOX
9	27-OCT-2005	V07	PC#6894,6897 AND 6937 SEE PCB HISTORY TABLE
10	D	V	N
11	D	V	N
12	D	V	N
13	D	V	N

M648 PENDING CHANGES		
MODEL(S):-		YBA200
#	PC#	PENDING CHANGE
1	PC	X
2	PC	X
3	PC	X
4	PC	X
5	PC	X
6	PC	X

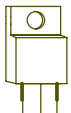
*PLACE IMPLEMENTED CHANGES INTO BOARD HISTORY

78XX



I G O
TO-220

79XX



G I O
TO-220

BC550C



C B E
TO-92

MPSA56



E B C
TO-92

6550WE

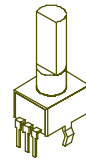
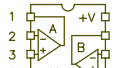


G2 G1
P S NC
H 2 H
NC K G3

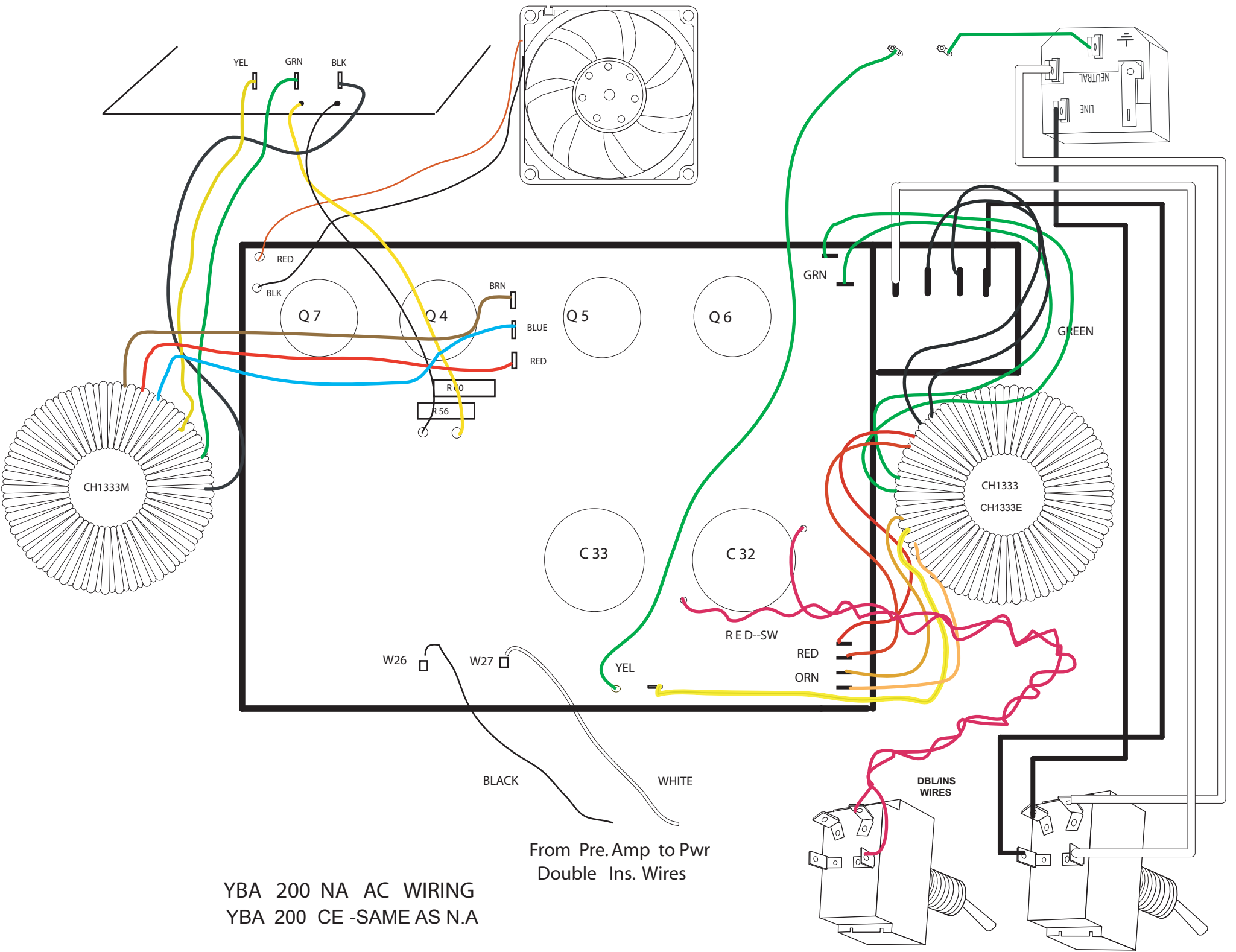
12AX7A



H H 1P
2K 1G
2G 1K
2P HT



"STYLE_P32"



YBA 200 NA AC WIRING
 YBA 200 CE -SAME AS N.A