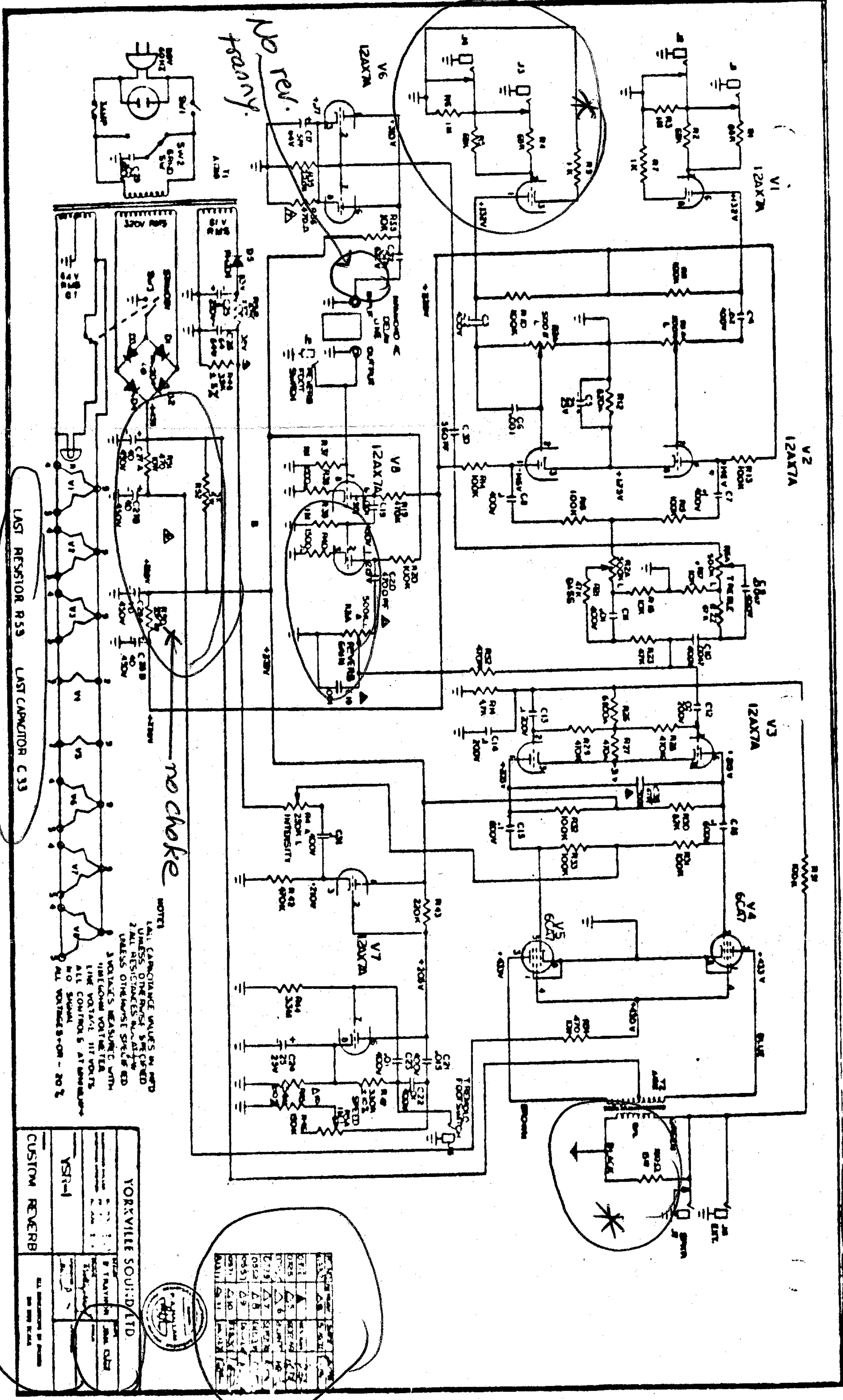


* my amp ^{case} is the same as the original schematic (#1) except for these 2 alterations

#2



Although this is redrawn, it's got the same early date