

OPERATING INSTRUCTIONS

1. Plug the A.C. power line into a 3-hole grounded outlet.  
Power Requirements: 110V. 60Hz in North America, 220-230 V., 50 or 60 Hz in U.K. and Europe.
2. Flip the power switch on the front panel up to the "A.C. ON" position.
3. Plug instrument cord into one of the input jacks on the front panel (input #1 has higher gain) and turn the "Volume" control to zero.
4. Turn "Treble" and "Bass" controls up to "5".
5. Check to see that the instruments' volume control is turned up, then turn the amplifiers' Volume control clockwise from zero until you have achieved sufficient sound level. Re-adjust Bass & Treble as required.
6. The A.C. Circuit Breaker protects the amp from A.C. current overloads. Should one occur, the breaker will open and shut the amp off. Simply press the red re-set button for renewed operation.
- 6A. (British & European models) A.C. Fuse protects circuits as above. Replace with 1 amp Slo-Blo fuse- only.
7. The jack marked "Ext. Speaker" may be used to connect one of the following:

<u>Model</u>	<u>Contents</u>	<u>Specifications</u>
YS-15P	1 x 15" Speaker & Port	100 Watts - 8 ohms
YT-15	2 x 15" Speaker	150 Watts - 8 ohms

GENERAL

- \* The 15-inch speaker in this amplifier was especially designed for bass. Playing guitar through it will not cause damage.
- \* Leave at least a 1-foot air space behind the amp for adequate ventilation when in use.
- \* Check the power tubes at least every 6 months and replace when weak.

continued.....

\* AMPLIFIER SPECIFICATIONS

R.M.S. Power: 25 watts \*pre-clipping, 40 watts \*full-clipping.

Output Impedance: 8 ohms (4 ohms minimum load limit)

Speaker: 1 x 15" 8 ohms, 75 watts.

Dimensions & Weight: 20½" x 26" x 11" - 45 lbs.

(Harmonic distortion is typically below 5% at the \*pre-clipping output level. Speakers should have total power-handling at least equal to the amps \*full-clipping power).

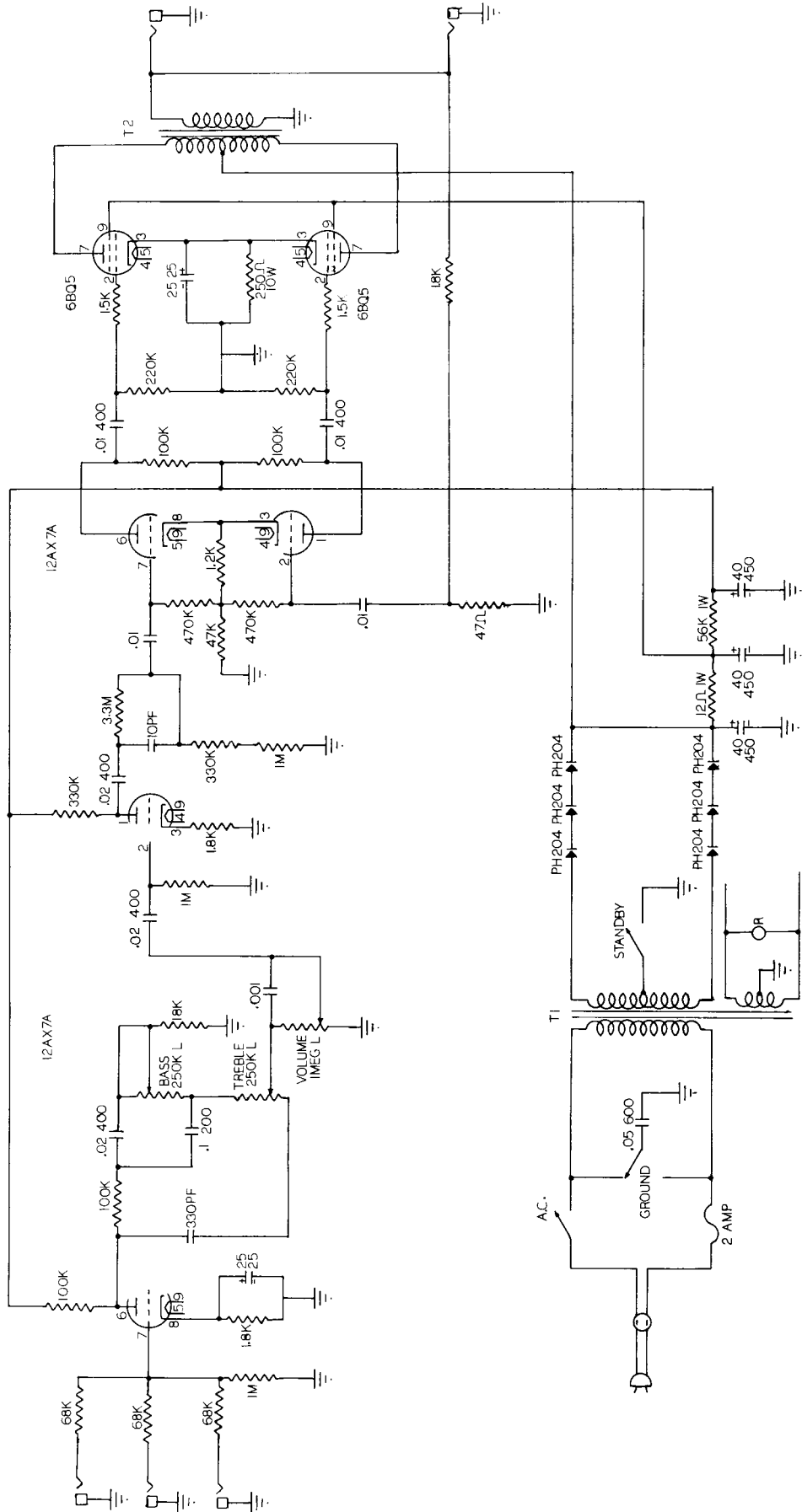
\* For warranty service, contact your authorized Traynor dealer.

\* For special information, write to:

YORKVILLE SOUND LIMITED  
80 Midwest Road,  
Scarborough, Ontario  
Canada M1P 4R2

YORKVILLE SOUND INC.  
56 Harvester Ave.  
Batavia, N.Y.  
U.S.A. 14020

NOTE  
 ALL CAPACITANCE VALUES ARE IN  
 MFD UNLESS OTHERWISE SPECIFIED  
 ALL RESISTANCE VALUES IN OHMS  
 AT 1/2 WATT UNLESS OTHERWISE SPECIFIED

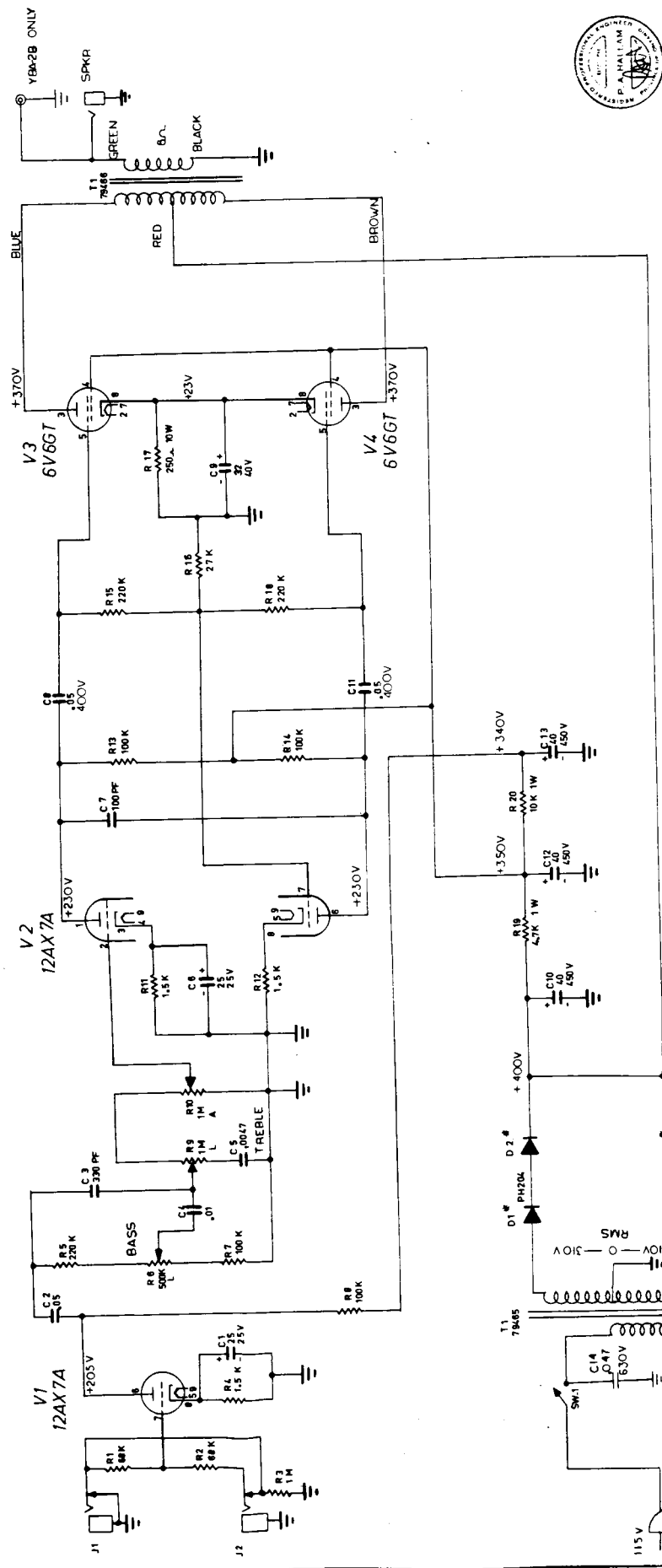


YORKVILLE SOUND LTD

BASS MATE II YBA-2A

NOV 30 1965

DESIGN BY	DIRK VAN DER SLEEN	DRAWN BY	GRANT LAUGHLIN
-----------	--------------------	----------	----------------



YORKVILLE SOUND LTD.

DATE: JAN 31/57

DESIGNED BY: P. TRAYNOR

FRACCTIONS: 1/16

OVERALL SPECIFIC TO: 1/16

APPROVED: [Signature]

MATERIAL: YBA2A/B

TYPE: BASSMATE

REVISION: DATE BY

ALL DIMENSIONS IN INCHES DO NOT SCALE

ALL RESISTORS ± 10% UNLESS OTHERWISE STATED

ALL CAPACITANCES IN MICROFARADS

ALL VOLTAGES MEASURED WITH 11 megohm V.U.M. WITH:

a) LINE VOLTAGE 115 V

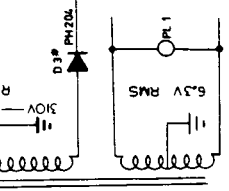
b) ALL CONTROLS AT MINIMUM

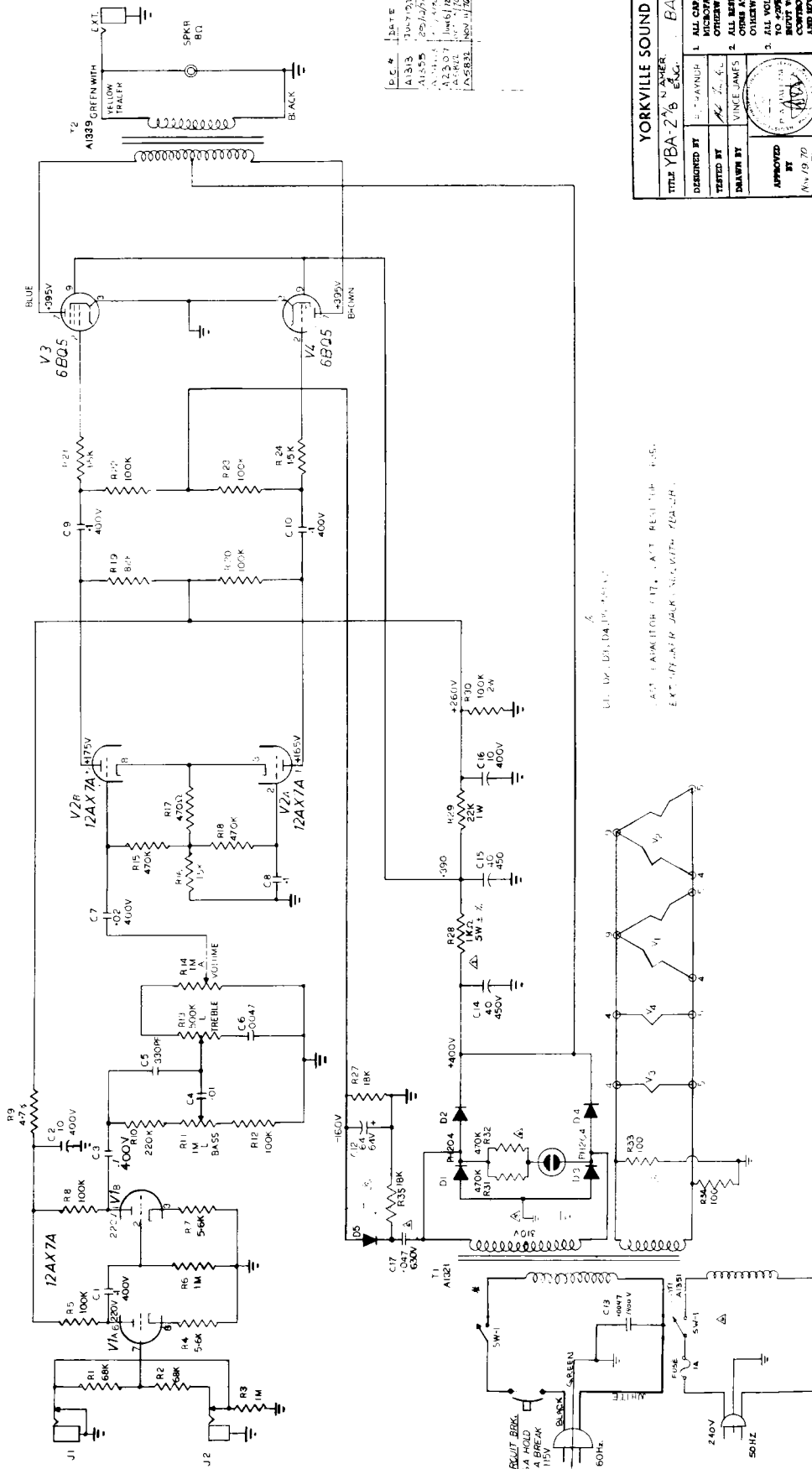
c) NO SIGNAL

d) ALL READINGS ± 20%

\* D1, D2, D3, D4, PH204

OR D1, D3, IN5061





D.C. No.	DATE	REVISION	BY
A1313	10/27/51	Δ	J.S.M.
A1555	2/2/52	Δ	J.S.M.
A1555	1/27/52	Δ	J.S.M.
A1555	1/27/52	Δ	J.S.M.
A1555	1/27/52	Δ	J.S.M.
A1555	1/27/52	Δ	J.S.M.
A1555	1/27/52	Δ	J.S.M.
A1555	1/27/52	Δ	J.S.M.
A1555	1/27/52	Δ	J.S.M.
A1555	1/27/52	Δ	J.S.M.

**YORKVILLE SOUND LTD.**

TITLE YBA-2 '6 E.G. BAS SMATE.

DESIGNED BY: J. S. M.

TESTED BY: VINCE JAMES

MANUFACTURED BY: YORKVILLE SOUND LTD.

APPROVED BY: [Signature]

DATE: Nov 19 70

BY: [Signature]

1. ALL CAPACITORS IN MICROFARADS UNLESS OTHERWISE NOTED.

2. ALL RESISTORS IN OHMS AT 20 WATT UNLESS OTHERWISE SPECIFIED.

3. ALL WIREWOUND RESISTORS MUST BE USED WITH A METER WITH 1% TOLERANCE.

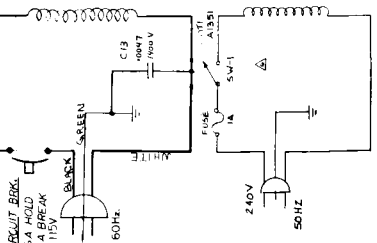
4. ALL WIREWOUND RESISTORS MUST BE USED WITH A METER WITH 1% TOLERANCE.

5. ALL WIREWOUND RESISTORS MUST BE USED WITH A METER WITH 1% TOLERANCE.

U.L. UK. D.L. DA. (U.K. PATENT)

ACT. PATENTION (U.K. PAT. REVI. 105)

EXT. PAT. IN JAPAN (U.K. PAT. 105)



\* ENGLISH VERSION