



SERVICE MANUAL

YCV80 / YCV80Q

TYPE: YS1034

WEB ACCESS: <http://www.yorkville.com>

WORLD HEADQUARTERS CANADA

Yorkville Sound
550 Granite Court
Pickering, Ontario
L1W-3Y8 CANADA

Voice: (905) 837-8481
Fax: (905) 837-8746

U.S.A.

Yorkville Sound Inc.
4625 Witmer Industrial Estate
Niagara Falls, New York
14305 USA

Voice: (716) 297-2920
Fax: (716) 297-3689



Quality and Innovation Since 1963
Printed in Canada



IMPORTANT SAFETY INSTRUCTIONS



INSTRUCTIONS PERTAINING TO A RISK OF FIRE, ELECTRIC SHOCK, OR INJURY TO PERSONS

INSTRUCTIONS RELATIVES AU RISQUE DE FEU, CHOC ÉLECTRIQUE, OU BLESSURES AUX PERSONNES

CAUTION:

TO REDUCE THE RISK OF ELECTRIC SHOCK, DO NOT REMOVE COVER (OR BACK).

NO USER SERVICEABLE PARTS INSIDE.

REFER SERVICING TO QUALIFIED SERVICE PERSONNEL.

AVIS:

AFIN DE REDUIRE LES RISQUE DE CHOC ELECTRIQUE, N'ENLEVEZ PAS LE COUVERT (OU LE PANNEAU ARRIERE)

NE CONTIENT AUCUNE PIECE REPARABLE PAR L'UTILISATEUR.

CONSULTEZ UN TECHNICIEN QUALIFIE POUR L'ENTRETIEN

Read Instructions

The Owner's Manual should be read and understood before operation of your unit. Please, save these instructions for future reference.

Packaging

Keep the box and packaging materials, in case the unit needs to be returned for service.

Warning

When using electric products, basic precautions should always be followed, including the following:

Power Sources

Your unit should be connected to a power source only of the voltage specified in the owners manual or as marked on the unit. This unit has a polarized plug. Do not use with an extension cord or receptacle unless the plug can be fully inserted. Precautions should be taken so that the grounding scheme on the unit is not defeated.

Hazards

Do not place this product on an unstable cart, stand, tripod, bracket or table. The product may fall, causing serious personal injury and serious damage to the product. Use only with cart, stand, tripod, bracket, or table recommended by the manufacturer or sold with the product. Follow the manufacturer's instructions when installing the product and use mounting accessories recommended by the manufacturer.

The apparatus should not be exposed to dripping or splashing water; no objects filled with liquids should be placed on the apparatus.

Terminals marked with the "lightning bolt" are hazardous live; the external wiring connected to these terminals require installation by an instructed person or the use of ready made leads or cords.

Ensure that proper ventilation is provided around the appliance.

No naked flame sources, such as lighted candles, should be placed on the apparatus.

Power Cord

The AC supply cord should be routed so that it is unlikely that it will be damaged. If the AC supply cord is damaged DO NOT OPERATE THE UNIT.

Service

The unit should be serviced only by qualified service personnel.

Veillez Lire le Manuel

Il contient des informations qui devraient être comprises avant l'opération de votre appareil. Conservez S.V.P. ces instructions pour consultations ultérieures.

Emballage

Conservez la boîte au cas où l'appareil devait être retourner pour réparation.

Attention:

Lors de l'utilisation de produits électrique, assurez-vous d'adhérer à des précautions de bases incluant celle qui suivent:

Alimentation

L'appareil ne doit être branché qu'à une source d'alimentation correspondant au voltage spécifié dans le manuel ou tel qu'indiqué sur l'appareil. Cet appareil est équipé d'une prise d'alimentation polarisée. Ne pas utiliser cet appareil avec un cordon de raccordement à moins qu'il soit possible d'insérer complètement les trois lames. Des précautions doivent être prises afin d'éviter que le système de mise à la terre de l'appareil ne soit désengagé.

Risque

Ne pas placer cet appareil sur un chariot, un support, un trépied ou une table instables. L'appareil pourrait tomber et blesser quelqu'un ou subir des dommages importants. Utiliser seulement un chariot, un support, un trépied ou une table recommandés par le fabricant ou vendus avec le produit. Suivre les instructions du fabricant pour installer l'appareil et utiliser les accessoires recommandés par le fabricant.

Il convient de ne pas placer sur l'appareil de sources de flammes nues, telles que des bougies allumées.

L'appareil ne doit pas être exposé à des égouttements d'eau ou des éclaboussures et qu'aucun objet rempli de liquide tel que des vases ne doit être placé sur l'appareil.

Assurez que l'appareil est fourni de la propre ventilation.

Les dispositifs marqués d'un symbole "d'éclair" sont des parties dangereuses au toucher et que les câblages extérieurs connectés à ces dispositifs de connection extérieure doivent être effectués par un opérateur formé ou en utilisant des cordons déjà préparés.

Cordon d'Alimentation

Évitez d'endommager le cordon d'alimentation. N'UTILISEZ PAS L'APPAREIL si le cordon d'alimentation est endommagé.

Service

Consultez un technicien qualifié pour l'entretien de votre appareil.

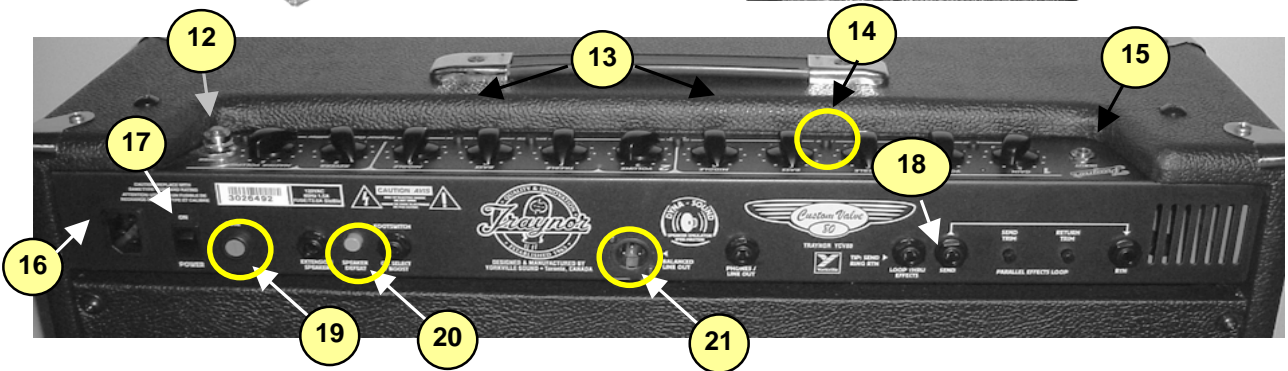
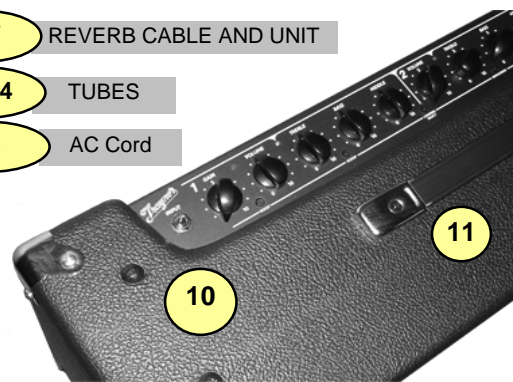
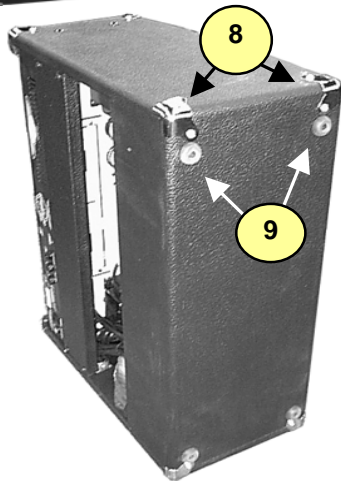
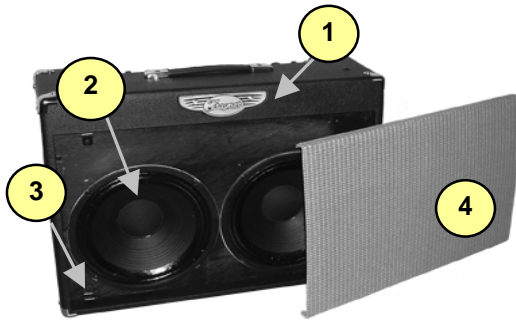
YCV80Parts List 4/8/2004

YS #	Description	Qty.	YS #	Description	Qty.	YS #	Description	Qty.
6397	JEWELLED PILOT LAMP AMBER REG V1	1	3902	72" RCA PREFAB CABLE STEREO	1	8807	6-32 X 5/16 PAN PH MS JS500	12
5906	RED 3MM LED 1V9 20MA .4SPCER T&R	1	3914	RCA SNGL PCB MT HORZ	2	8801	6-32 X 3/8 PAN PH TAPTITE JS500	4
6398	RED 5MM LED 1V5 20MA HIGH EFF	1	3923	XLR MALE PCB MT HORZ MTHOLE-V SNAP	1	8829	6-32 X 3/8 FLAT PH TAPTITE BO#4 HEA	18
6399	YEL 5MM LED 1V5 20MA HIGH EFF	1	3451	EYELET SMALL .0089 OD PLATED	56	8761	6-32 X 1/2 PAN PHIL MS ZINC CLEAR	3
5907	YEL 3MM LED 1V9 20MA .4SPCER T&R	1	3482	LOWPROFILE FUSEHOLDER 1/4" BUSSMANN	1	8757	#6 X 5/8 PN PH TYPE A ZN	2
5908	GRN 3MM LED 1V9 20MA .4SPCER T&R	1	2453	3.0 AMP SLO-BLO .25X1.25 FUSE	1	8722	#8 X 1" PAN QUAD TYPE AB B/O	4
6825	1N4148 75V 0A45 DIODE T&R	7	8456	10.0" STRAP HANDLE, NICKEL COVERS	1	8809	10-32 X 1/4 PAN PH TAPTITE JS500	5
6830	1N5408 1000V 3A0 DIODE	4	8604	10-32 T NUT	10	8749	10-32 X 1/2 QDX PH TAPTITE JS500	8
6438	1N4007 400V 1A0 DIODE T&R	6	8889	RUBBER GROMMET #2183-034-BLK	4	8750	#10 X 1/2 PAN PH TYPE A ZINC	16
6461	1N5240BRL 10V0 0W5 ZENER 5% T&R	1	3552	NYLON SPRING CLAMP	4	8756	#10 X 3/4 PAN PH TYPE A BLACK OXIDE	10
6475	1N5262B 51V0 0W5 ZENER 5% T&R	6	3810	4" NYLON CABLE TIE	8	8843	10-32 X 1 1/8 FLAT PH MS JS500	2
6871	MC7815CT TO220 N 15V0 REG V2	1	8430	YCV40 CHICKEN-BEAK KNOB	11	8786	10-32 X 1 1/4 PAN QD MS JS500 BLACK	8
6872	MC7815CT TO220 P 15V0 REG V1	1	8504	CORNER, 2 LEGS NOTCED LIP NICKEL	8	8862	#10 X 1 1/2 PAN PH TYPE A JS500	4
5101	BC550C TO92 NPN TRAN T&R TB	4	8633	ROUND PUSH BUTTON 1/4" BLACK	6	8770	1/4-20 X 1 5/16 TRUSS PH MS JS500	4
5102	BC560C TO92 PNP TRAN T&R TB	2	8661	BUTTON KNOB FLAT GREY	1	8905	YORKVILLE PRODUCT SCHEMATIC	1
5103	MPSA06 TO92 NPN TRAN T&R TA	4	3428	8' 3/18 SUT AC LINE CORD REMOVABLE	1	3663	SNAP IEC PWR SOC W/250TAB FOR .060	1
5104	MPSA56 TO92 PNP TRAN T&R TA	3	8260	YCV40 LOGO EMBOSSED ALUMINUM	1	3741	.5 SPACER ID-.171 OD-.25 #912-500	4
6873	MJE340 TO126 NPN TRAN TG	1	8910	YORKVILLE PRODUCT MANUAL	1	3865	1/2 PLASTIC HEX SPACER #6	12
6730	JRF830 TO220 NCH MFET TN	1	8900	YORKVILLE WARRANTY CARD 2-YR UNLTD.	1	3858	3/4 PLASTIC HEX SPACER #4	15
6882	TL072CP IC FET DUAL OP AMP	6	3638	12 CIR CABLE HOLDER .098	2	7080	12" 8R 80WPGM SPEAKER CELESTION	2
6880	4N35 OPTO-COUPLER	1	3674	9 CIR CABLE HOLDER .098	2	8482	3/8 1D FLAT WASHER	1
5408	47P 100V 10%CAP T&R BEAD NPO	1	8800	6-32 KEPS NUT ZINC	9	8488	3/8 INT TOOTH LOCKWASHE ZINC	1
5197	220P 100V 2%CAP T&R RAD CER.2"NPO	8	8890	1/4-20 CAGE NUT C79-88142027	4	3511	#6 FLAT WASHER NYLON	12
5417	330P 50V 10%CAP T&R BEAD NPO	1	3796	ELASTOMER PAD TSIL 1.0X0.8	3	8820	#8 FLAT WASHER JS500	4
5201	470P 100V 5%CAP T&R RAD CER.2"NPO	3	3850	TO-220 PLASTIC TRANSISTOR INSULATOR	3	8817	#10 FLAT WASHER FOR 3/16" BOLT	16
5416	470P 50V 10%CAP T&R BEAD NPO	1	4597	22AWG STRAN TC WIR JMP	5	3436	DPDT PUSH SW PCMT H BREAK B4 MAKE	1
5418	470P 250V 20% Y2 CAP DISC T&R	1	4599	22AWG SOLID SC WIR T&R JMP	71	3522	DPDT MINI PC VERT SNP ALT	6
5816	680P 100V 5%CAP T&R RAD CER.2"NPO	1	2005	1.0W 0R47 5%FLAME PROOF T&R RES	1	3698	SPST ROKR SW QUIK 180° AC PWR BL/BL	1
5206	1N 400V 5%CAP T&R RAD .2"FLM	6	2008	1.0W 10R 5%FLAME PROOF T&R RES	4	3731	SPRING RETAINER FOR OUTPUT TUBE	4
5208	2N2 400V 5%CAP T&R RAD .2"FLM	1	4612	1/2W 18R 5% T&R RES	3	3732	9 PIN PC MOUNT TUBE SOCKET BE	3
5275	3N3 100V 5%CAP T&R RAD .2"FLM	3	4816	1/4W 33R 5% T&R RES	1	3733	8 PIN PC MOUNT TUBE SOCKET	4
5209	4N7 250V 5%CAP T&R RAD .2"FLM	1	4817	1/4W 47R 5% T&R RES	4	5881	6L6 TETRODE OUTPUT TUBE BULK	4
6451	4N7 250V 20%CAP BLK Y' 10MM AC	1	2019	1/8W 100R0 1%FLAME PROOF T&R RES	2	12AX7B	12AX7 DUAL TRIODE PREAMP TUBE	3
5272	6N8 100V 5%CAP T&R RAD .2"FLM	1	4852	1/4W 100R 5% T&R RES	1	1327	YCV80 POWER XFMR	1
5204	10N 100V 10%CAP T&R RAD .2"FLM	3	2022	1.0W 220R 5%FLAME PROOF T&R RES	4	1327M	YCV80 OUTPUT XFMR	1
5834	10N 250V 20%CAP BLK RAD POLY FLM	1	2023	1/8W 220R0 1%FLAME PROOF T&R RES	2			
5210	22N 100V 10%CAP T&R RAD .2"FLM	1	4857	1/4W 220R 5% T&R RES	3			
5840	22N 400V 10%CAP BLK RAD POLY FLM	2	4736	5.0W 390R 5% BLK RES	1			
6435	22N 275V 20%CAP BLK X2' 15MM AC	1	4621	1/2W 470R 5% T&R RES	1			
5224	47N 100V 10%CAP T&R RAD .2"FLM	5	4821	1/4W 470R 5% T&R RES	3			
5841	47N 250V 10%CAP RAD POLYFILM BULK	2	5019	1/4W 620R 5%MINI T&R RES	4			
5226	68N 100V 5%CAP T&R RAD .2"FLM	1	4822	1/4W 820R 5% T&R RES	4			
5227	82N 100V 5%CAP T&R RAD .2"FLM	1	4823	1/4W 1K 5% T&R RES	3			
5228	100N 100V 5%CAP T&R RAD .2"FLM	6	4824	1/4W 1K5 5% T&R RES	3			
5865	100N 250V 10%CAP BLK RAD POLY FLM	1	4791	1/4W 1K54 1% T&T RES	1			
5229	150N 63V 10%CAP T&R RAD .2"FLM	2	4631	1/2W 2K 5% T&R RES	1			
5231	220N 63V 10%CAP T&R RAD .2"FLM	2	4705	2.0W 2K2 5% BLK RES	1			
5882	220N 250V 10%CAP BLK RAD POLY FLM	2	6104	1/4W 2K2 5%MINI T&R RES	3			
5233	330N 63V 5%CAP T&R RAD .2"FLM	5	4714	1/4W 2K21 1% T&R RES	1			
5234	470N 63V 10%CAP T&R RAD .2"FLM	1	4827	1/4W 4K7 5% T&R RES	12			
5256	1U 63V 5%CAP T&R RAD .2"FLM	1	4663	1/2W 8K2 5% T&R RES	1			
5945	10U 63V 20%CAP T&R RAD .2"EL	1	4863	1/4W 8K2 5% T&R RES	1			
5959	10U 450V 20%CAP BLK EL	4	4829	1/4W 10K 5% T&R RES	20			
5631	22U 50V 20%CAP T&R 6X7MM .2"EL	5	4856	1/4W 12K 5% T&R RES	2			
5961	33U 16V 20%CAP T&R RAD .2"NP	6	4831	1/4W 18K 5% T&R RES	2			
5902	82U 450V 20%CAP BLK 22X30MM	2	4832	1/4W 22K 5% T&R RES	2			
5267	100U 25V 20%CAP T&R RAD .2"EL	3	4902	1/4W 24K 5% T&R RES	4			
5914	100U 63V 20%CAP BLK 10X13MM EL	1	4833	1/4W 27K 5% T&R RES	3			
5618	470U 25V 20%CAP BLK 10X15MM EL	4	4840	1/4W 33K 5% T&R RES	2			
TFS-2B	TRAYNOR DUAL FOOTSWCH 10' CORD-BULK	1	4868	1/4W 36K 5% T&R RES	3			
4497	10K B LIN 9MM HORIZONTAL P29	2	4853	1/4W 39K 5% T&R RES	2			
4423	20K 15AAUDIO 9MM P32	4	4834	1/4W 47K 5% T&R RES	8			
4424	100K 1B LIN 9MM P32	2	4848	1/4W 62K 5% T&R RES	1			
4425	500K 15AAUDIO 9MM P32	5	4836	1/4W 68K 5% T&R RES	1			
713	25 X 20 X 50 2 MIL PLASTIC BAG	1	4586	1/4W 82K 5%MINI T&R RES	2			
3975	SNAP ON 0.718" INSULATING BUSHING	3	6120	1/4W 100K 5%MINI T&R RES	14			
3976	SNAP ON 0.843" INSULATING BUSHING	2	4776	1/4W 113K 1% T&R RES	3			
8461	TRIM CLIP (PLATED BLK ZINC)	4	4849	1/4W 180K 5% T&R RES	1			
8522	RUBBER BUMPER WITH WASHER -SMALL-	4	4668	2.0W 220K 5%10MM BODY T&R RES	1			
3478	CLIP 205/187X032 18-22AWG DISCO/INS	2	4841	1/4W 220K 5% T&R RES	8			
3489	CLIP 250X032 18-22AWG DISCO/INSL	4	6145	1/4W 249K 1%MINI T&R RES	1			
3490	CLIP 250X032 14-16AWG DISCO/INSL	1	4843	1/4W 470K 5% T&R RES	1			
3491	CLIP 205/187X020 18-22AWG DISCO/INS	2	4880	1/4W 680K 5% T&R RES	1			
3494	CLIP 205/187X020 14-16AWG DISCO/INS	6	4844	1/4W 1M 5% T&R RES	8			
3601	RING TERMINAL 16AWG WIRE & #8 SCREW	3	4845	1/4W 2M2 5% T&R RES	3			
3682	250 MALE PCB TAB REEL	16	3700	RELAY 2C 01AMP DC24 015MA PC-S	2			
NYS224	280 PLUG NEUTRIK NYS224	1	3537	ACC# 4EB3C1B LONG REVERB	1			
3498	1/4" JCK PCB MT HORZ	5	8865	4-40 X 5/16 PAN PH MS JS500	30			
3528	1/4" JCK PCB MT HORZ GOLD TR	2	8842	#4 X 5/16 PAN QUAD TYPE A JS500 BLK	2			
3921	1/4" JCK PCB MT VERT STER RT SWT	1	8832	6-32 X 1/4 PAN PH TAPTITE JS500	15			



YCV80

Traynor Guitar Series



#	Part#	Description
Labeled Components		
1	8260	TRAYNOR LOGO
2	7080	12" 8R 80WPGM SPEAKER CELESTION
3	8461	TRIM CLIP (PLATED BLK ZINC)
4	Z435	YCV80 GRILLE* ‡ current model only!
5	TFS-2B	TRAYNOR DUAL FOOTSWCH 10' CORD
6	8522	72" RCA PREFAB CABLE STEREO
7	3537	ACC# 4EB3C1B LONG REVERB
8	8504	CORNER, 2 LEGS NOTCED LIP NICKEL PLATED
9	8522	RUBBER BUMPER WITH WASHER -SMALL-
10	8770	1/4-20 X 1 5/16 TRUSS PH MS JS5
11	8456	10.0" STRAP HANDLE, NICKEL COVERS
12	6397	JEWELLED PILOT LAMP AMBER REG
13	8430	CHICKEN-BEAK KNOB
14	8633	ROUND PUSH BUTTON 1/4" BLACK
15	3921	1/4" JCK PCB MT VERT STER RT SWT
16	3663	SNAP IEC PWR SOC W/.250TAB FOR .060
17	3698	SPST ROKR SW QUIK 180° AC PWR
18	3450 & 3450NUT	1/4" ALL GOLD PC MNT JK SKT
19	3482	LOWPROFILE FUSEHOLDER 1/4" BUSSMANN
20	8638	PUSH SW BUTTON GREY
21	3923	XLR MALE PCB MT HORZ MTHOLE-V SNAP
22	3552	NYLON SPRING CLAMP
23	7025A OR 7025B	12AX7 DUAL TRIODE PREAMP TUBE
24	6L6B	6L6GB OUTPUT POWER TUBE
25	3428	8' 3/18 SJT AC LINE CORD REMOVABLE

- 6/7** REVERB CABLE AND UNIT
- 23/24** TUBES
- 25** AC Cord

*NOTE: Replacement grilles are 'Special-Order' and are only available while the model is in production.

‡ Grilles & Support replacements are for CURRENT models only.

**Real Gear.
Real People.**

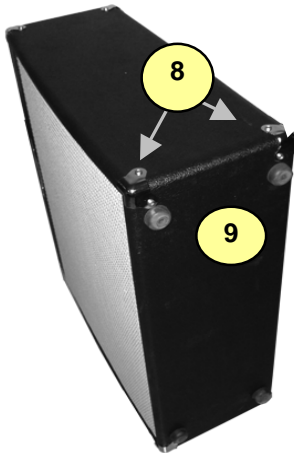


YCV80Q

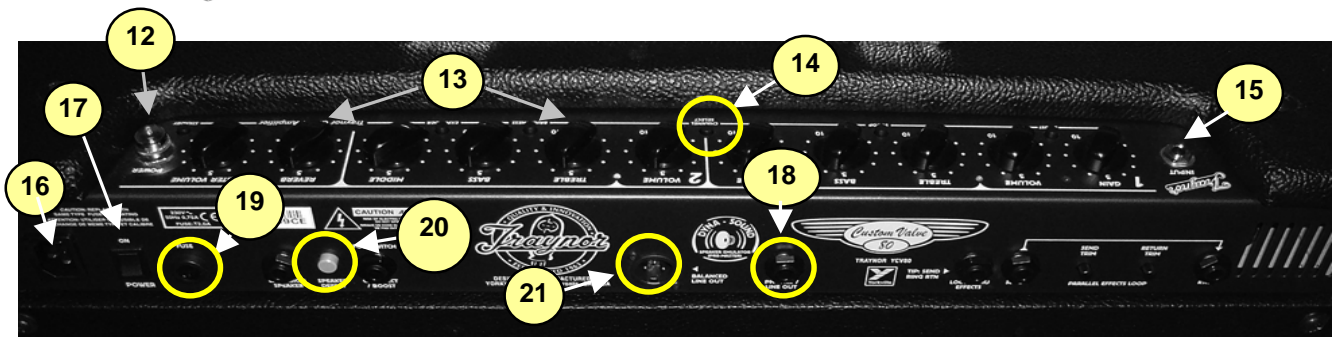
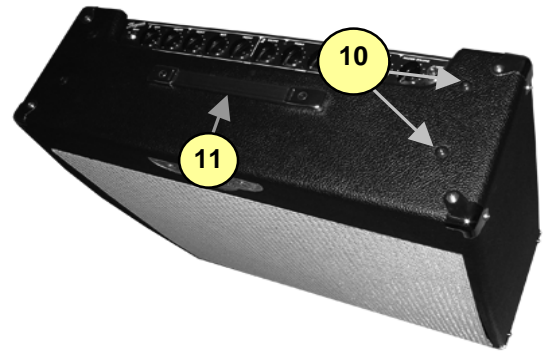
Traynor Guitar Series



#	Part#	Description
Labeled Components		
1	8260	TRAYNOR LOGO
2	TUBE10	10" 8R 30WPGM SPEAKER CELESTION (QTY: 4)
3	8461	TRIM CLIP (PLATED BLK ZINC)
4	Z460	YCV80Q GRILLE* ‡ current model only!
5	TFS-2B	TRAYNOR DUAL FOOTSWCH 10' CORD
6	8522	72" RCA PREFAB CABLE STEREO
7	3537	ACC# 4EB3C1B LONG REVERB
8	8504	CORNER, 2 LEGS NOTCED LIP NICKEL PLATED
9	8522	RUBBER BUMPER WITH WASHER -SMALL-
10	8770	1/4-20 X 1 5/16 TRUSS PH MS JS5
11	8456	10.0" STRAP HANDLE, NICKEL COVERS
12	6397	JEWELLED PILOT LAMP AMBER REG
13	8430	CHICKEN-BEAK KNOB
14	8633	ROUND PUSH BUTTON 1/4" BLACK
15	3921	1/4" JCK PCB MT VERT STER RT SWT
16	3663	SNAP IEC PWR SOC W/.250TAB FOR .060
17	3698	SPST ROKR SW QUIK 180° AC PWR
18	3450 & 3450NUT	1/4" ALL GOLD PC MNT JK SKT
19	3482	LOWPROFILE FUSEHOLDER 1/4" BUSSMANN
20	8638	PUSH SW BUTTON GREY
21	3923	XLR MALE PCB MT HORZ MTHOLE-V SNAP
22	3731	SPRING RETAINER FOR OUTPUT TUBE
23	7025A OR 7025B	12AX7 DUAL TRIODE PREAMP TUBE
24	6L6B	6L6GB OUTPUT POWER TUBE
25	3428	8' 3/18 SJT AC LINE CORD REMOVABLE



- 6/7 REVERB CABLE AND UNIT
- 22/23/24 TUBES
- 25 AC Cord



*NOTE: Replacement grilles are 'Special-Order' and are only available while the model is in production.

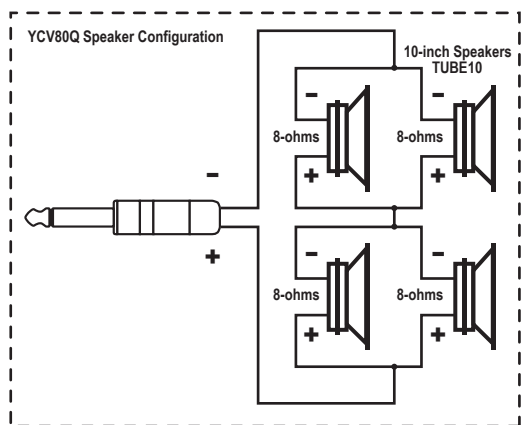
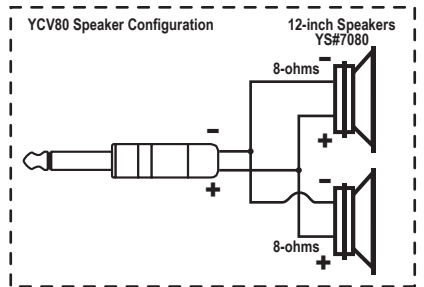
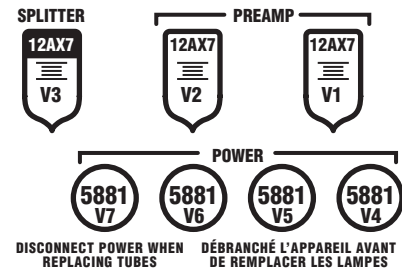
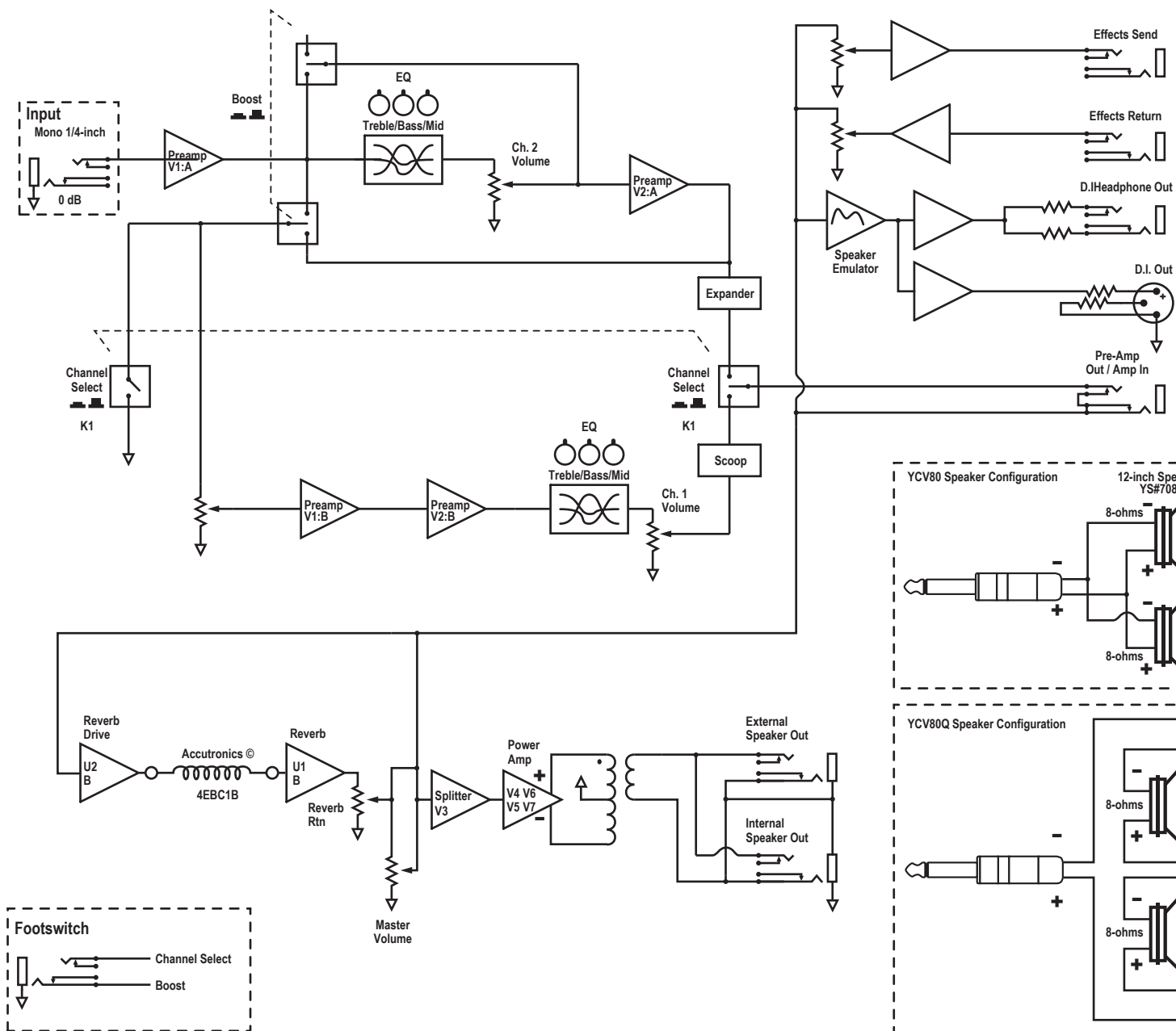
‡ Grilles & Support replacements are for CURRENT models only.

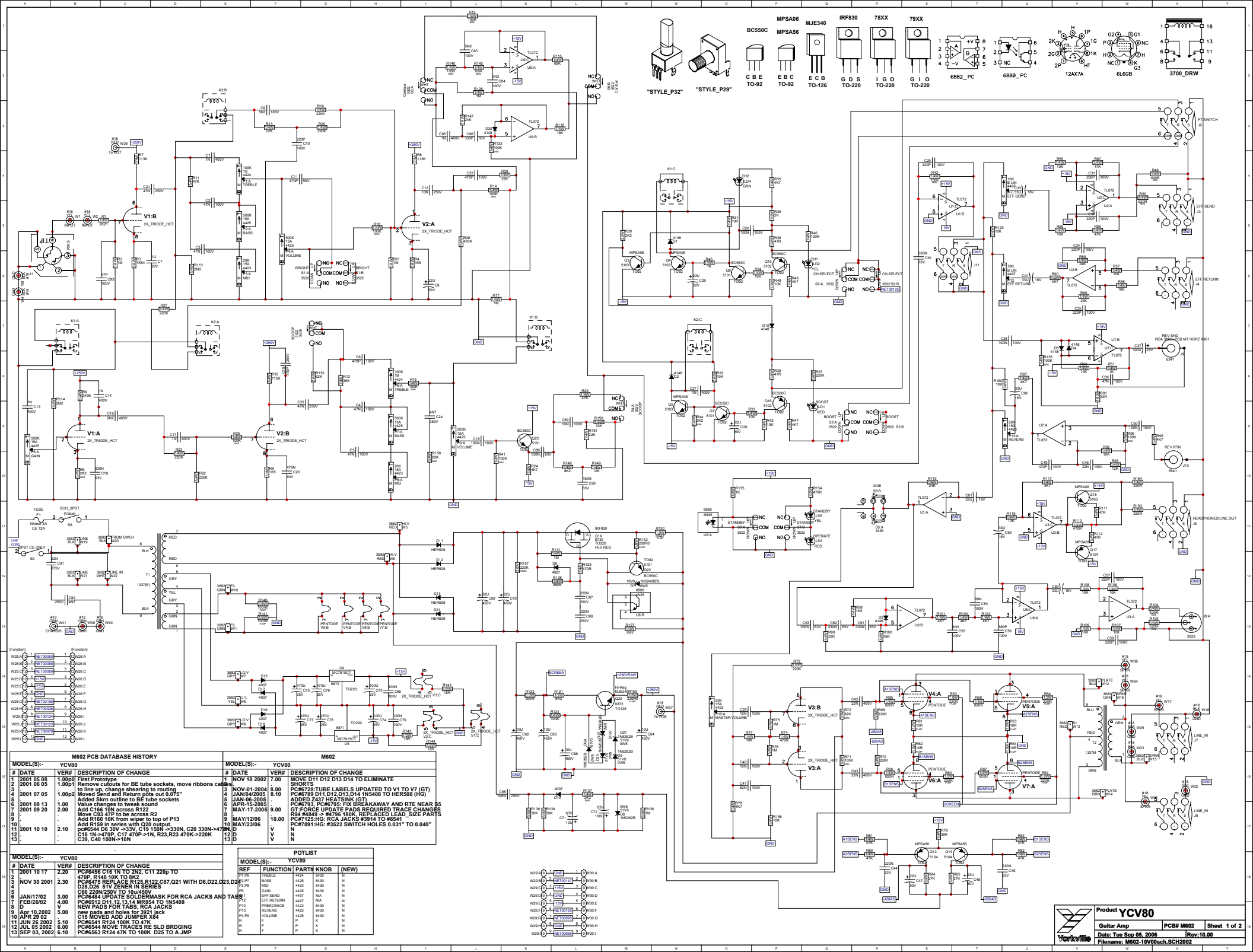
**Real Gear.
Real People.**

Block Diagram for YCV80/YCV80Q

MODEL TYPE: YS1034

DESIGNED AND MANUFACTURED BY YORKVILLE SOUND





- BC550C TO-92
 MJE340 TO-18
 IRF830 TO-220
 78XX TO-220
 6882_PC
 6880_PC
 12AX7A
 6L6GB
 370V_DRW

MODEL(S):- YCV80

#	DATE	VER#	DESCRIPTION OF CHANGE
1	2001 06 08	1.000	First Prototype
2	2001 06 08	1.000	Remove cutouts for 6E tube sockets, move ribbons to line up, change shearing to routing
3	2001 07 05	1.000	Moved Send and Return pots out 0.075"
4	2001 07 05	1.000	Added Skin outline to BE tube sockets
5	2001 08 13	2.00	Value changes to tweak sound
6	2001 09 20	2.00	Move C35 47P to be across R2
7	2001 09 20	2.00	Add C166 10K across R122
8	2001 10 10	2.10	Add R189 in series with Q20 output, push644 to 33V->33V, C19 150K->330K, C20 330N->407N, C15 1N->470P, C17 470P->1N, R23,R23 470K->220K, C38, C40 100N-510N

MODEL(S):- YCV80

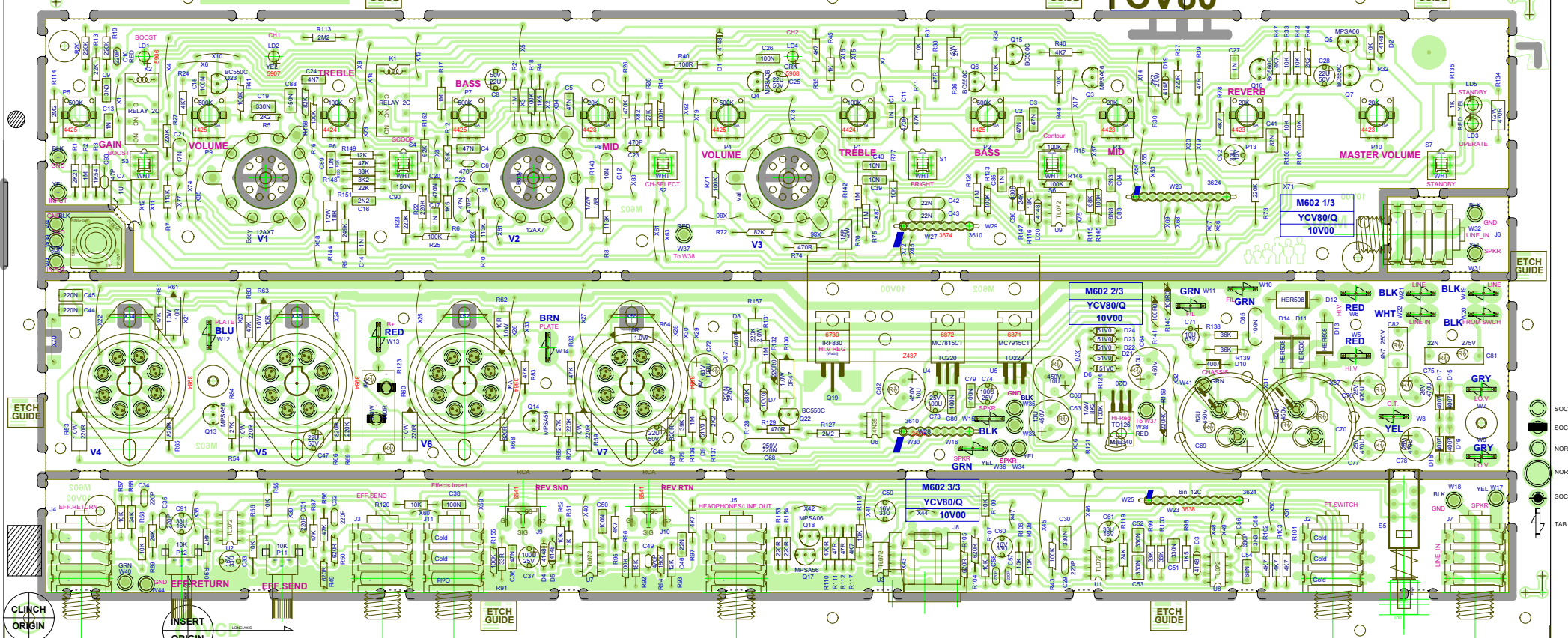
#	DATE	VER#	DESCRIPTION OF CHANGE
1	NOV 18 2002	7.00	MOVE D11 D12 D13 D14 TO ELIMINATE SHORTS
2	JAN04/2005	8.10	PC#6728-TUBE LABELS UPDATED TO V1 TO V7 (GT)
3	JAN-05-2005	8.10	ADDED 2457 HEATSINK (GT)
4	APR-15-2005	8.10	PC#6793, PC#6795: FIX BREAKAWAY AND RTE NEAR S5
5	MAY-17-2005	9.00	GT: FORCE UPDATE PADS REQUIRED TRACE CHANGES
6	MAY/12/06	10.00	R84 4949S -> 4479S 100K, REPLACED LEAD SIZE PARTS
7	MAY/23/06	10.00	PC#725HG: RCA JACKS #9314 TO #6541
8			PC#7091HG: #3522 SWITCH HOLES 0.031" TO 0.040"

MODEL(S):- YCV80

#	DATE	VER#	DESCRIPTION OF CHANGE
1	2001 10 17	2.20	PC#6456 C16 1N TO 2N2, C11 220P TO 470P R124 10K TO 82K
2	FEB/2002	4.00	PC#6475 REPLACE R125,R122,C87,Q21 WITH D6.022,D23,D25,D26 51V ZENER IN SERIES
3	NOV 30 2001	2.30	PC#6464 UPDATE SOLDERMASK FOR RCA JACKS AND TABS
4	JAN/17/02	3.00	PC#6512 D11, D12, D13, D14 M6824 TO IN6408
5	FEB/2002	4.00	NEW PADS FOR TABS, RCA JACKS
6	APR 10 2002	5.00	NEW PADS AND HOLES FOR 3221 JACK
7	APR 29 02	5.10	C15 MOVED ADD JUMPER X64
8	JUN 26 2002	6.00	PC#6544 R124 47K TO 100K
9	JUL 05 2002	6.00	PC#6544 MOVE TRACES RE SLD BRDGING
10	SEP 03, 2002	6.10	PC#6563 R124 47K TO 100K, D25 TO A JMP

MODEL(S):- YCV80

REF	FUNCTION	PART#	KNOB	(NEW)
W208	PTFE	4428	8430	N
W209	BASS	4428	8430	N
W210	TREBLE	4428	8430	N
W211	GAIN	4428	8430	N
W212	EFF SEND	4407	NA	N
W213	EFF RETURN	4407	NA	N
W214	REVERSE	4428	8430	N
W215	VOLUME	4428	8430	N
W216	P	4428	8430	N
W217	R	4428	8430	N
W218	F	4428	8430	N
W219	P	4428	8430	N
W220	F	4428	8430	N



SEE LAYOUT DOCUMENTATION

CLINCH ORIGIN
INSERT ORIGIN

ETCH GUIDE

ETCH GUIDE

ETCH GUIDE

ETCH GUIDE

M602 PCB DATABASE HISTORY			
MODEL(S):-	YCV80		
#	DATE	VER#	DESCRIPTION OF CHANGE
1	2001 05 08	1.00p0	First Prototype
2	2001 06 05	1.00p1	Remove cutouts for BE tube sockets, move ribbons cables to line up, change shearing to routing
3	2001 07 05	1.00p2	Moved Send and Return pins out 0.075" Added Skrn outline to BE tube sockets
4	2001 08 13	1.00	Value changes to tweak sound
5	2001 09 20	2.00	Add C166 10N across R122
6	.	.	Move C93 47P to be across R2
7	.	.	Add R160 10K from wiper to top of P13
8	.	.	Add R159 in series with Q20 output.
9	11 2001 10 10	2.10	pc#6544 D6 30V ->33V, C19 150N ->330N, C20 330N->470N, C15 1N->470P, C17 470P->1N, R23,R23 470K->220K C39, C40 100N->10N
10	.	.	
11	.	.	
12	.	.	
13	.	.	

M602			
MODEL(S):-	YCV80		
#	DATE	VER#	DESCRIPTION OF CHANGE
1	2001 10 17	2.20	PC#6456 C16 1N TO 2N2, C11 220p TO 470P, R148 10K TO 8K2
2	NOV 30 2001	2.30	PC#6475 REPLACE R125,R122,C87,Q21 WITH D6,D22,D23,D24 D25,D26 51V ZEMER IN SERIES
3	.	.	C66 220N/250V TO 10u/450V
4	JAN/17/02	3.00	PC#6484 UPDATE SOLDERMASK FOR RCA JACKS AND TABS
5	FEB/26/02	4.00	PC#6512 D11,12,13,14 MR854 TO 1N5408
6	D	V	NEW PADS FOR TABS, RCA JACKS
7	Apr 10,2002	5.00	new pads and holes for 3921 jack
8	APR 29 02	.	C15 MOVED ADD JUMPER X64
9	JUN 26 2002	5.10	PC#6541 R124 100K TO 47K
10	JUL 05 2002	6.00	PC#6544 MOVE TRACES RE SLD BRDGING
11	SEP 03, 2002	6.10	PC#6563 R124 47K TO 100K D25 TO A JMP

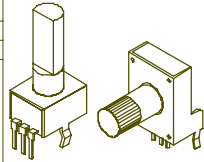
SEE LAYOUT DIAGRAM

M602 DRILL HISTORY			
MODEL(S):-	YCV80		
#	DATE	VER#	DESCRIPTION OF CHANGE
1	APR-15-2005	V12	PC#6793, PC#6795: FIX BREAKAWAY AND RTE NEAR S5
2	MAY/17/05	V13	SEE HISTORY TABLE FOR V9.00
3	MAY/23/06	V14	PC#7091 #3522 SWITCH HOLES FROM 0.031" TO 0.040"
4	D	V	N
5	D	V	N
6	D	V	N

M602 PENDING CHANGES		
MODEL(S):-	YCV80	
#	PC#	PENDING CHANGE
1	PC	X
2	PC	X
3	PC	X
4	PC	X
5	PC	X
6	PC	X

*PLACE IMPLEMENTED CHANGES INTO BOARD HISTORY

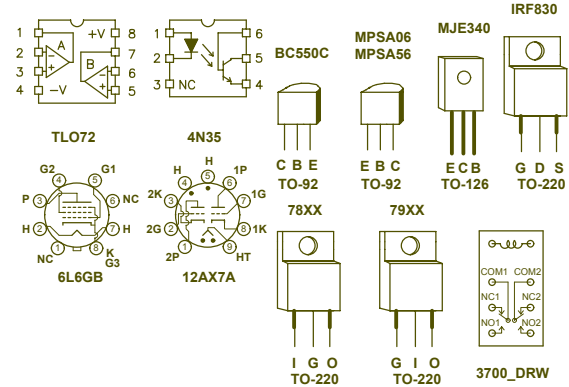
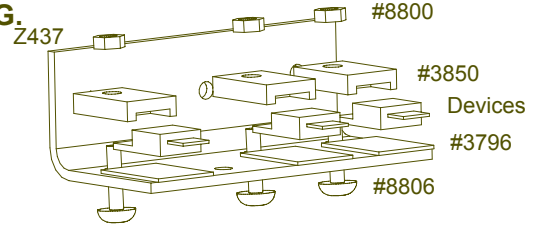
POTLIST				
MODEL(S):- YCV80				
REF	FUNCTION	PART#	KNOB	(NEW)
P1,P6	TREBLE	4424	8430	N
P2,P7	BASS	4425	8430	N
P3,P8	MID	4423	8430	N
P5	GAIN	4425	8430	N
P11	EFF SEND	4487	N/A	N
P12	EFF RETURN	4487	N/A	N
P10	PRESCENCE	4423	8430	N
P13	REVERB	4423	8430	N
P4,P9	VOLUME	4425	8430	N
R	F	P	K	N
R	F	P	K	N
R	F	P	K	N

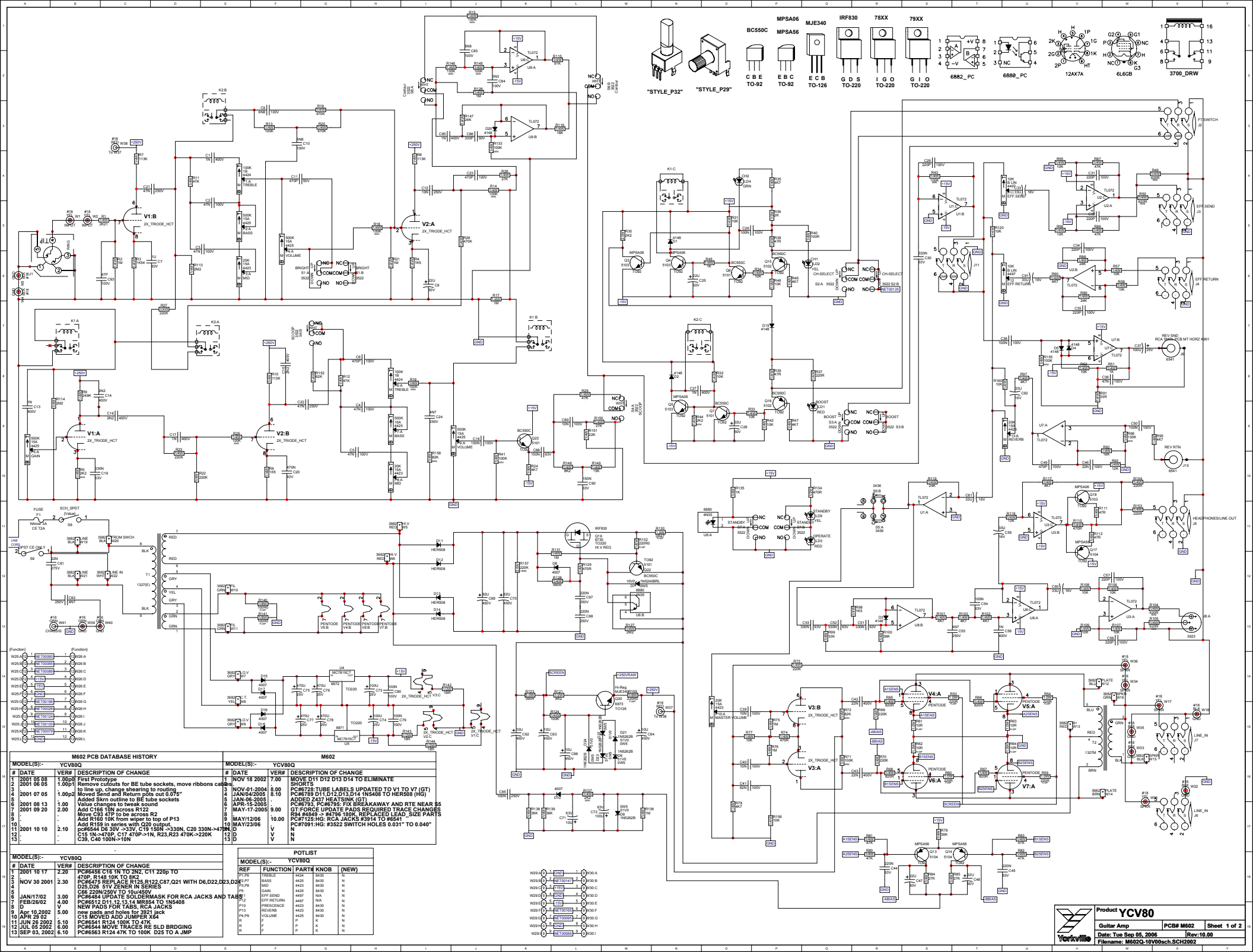


"STYLE_P32" "STYLE_P29"

PRODUCTION NOTES:

1. THERE IS A HEATSINK Z436 THAT IS ATTACHED IN WIRING.





- BC550C TO-92 C B E
 MPSA66 TO-92 E B C
 MJE340 TO-18 E C B
 IRF830 TO-220 G D S
 78XX TO-220 I G O
 79XX TO-220 G I O
 6882_PC 1 2 3 4 5 6 7 8
 6880_PC 1 2 3 4 5 6 7 8
 12AX7A H P G 20 21 22 23 24 25 26 27 28 29 30
 6L6GB G2 G1 G3 G4 G5 G6 G7 G8 G9 G10 G11 G12 G13 G14 G15 G16 G17 G18 G19 G20 G21 G22 G23 G24 G25 G26 G27 G28 G29 G30 G31 G32 G33 G34 G35 G36 G37 G38 G39 G40 G41 G42 G43 G44 G45 G46 G47 G48 G49 G50 G51 G52 G53 G54 G55 G56 G57 G58 G59 G60 G61 G62 G63 G64 G65 G66 G67 G68 G69 G70 G71 G72 G73 G74 G75 G76 G77 G78 G79 G80 G81 G82 G83 G84 G85 G86 G87 G88 G89 G90 G91 G92 G93 G94 G95 G96 G97 G98 G99 G100
 370VDRW 1 2 3 4 5 6 7 8 9 10 11 12 13 14 15 16

MODEL(S):- YCV80Q M602 PCB DATABASE HISTORY

#	DATE	VER#	DESCRIPTION OF CHANGE
1	2001 06 08	1.0000	First Prototype
2	2001 06 05	1.0002	Remove cutouts for BE tube sockets, move ribbons to line up, change shearing to routing
3	2001 07 05	1.0002	Moved Send and Return pots out 0.075"
4	2001 08 13	2.00	Added Skin outline to BE tube sockets
5	2001 08 13	2.00	Value changes to tweak sound
6	2001 09 20	2.00	Move C38 47P to be across R2
7	2001 09 20	2.00	Add C166 10K across R122
8	2001 10 10	2.10	Add R189 in series with Q20 output
9	2001 10 10	2.10	pc#6644 BE 33V->33V, C19 150K->330K, C20 330N->407N, C15 1N->470P, C17 470P->1N, R23,R23 470K->220K, C38, C40 100N->10N

MODEL(S):- YCV80Q M602

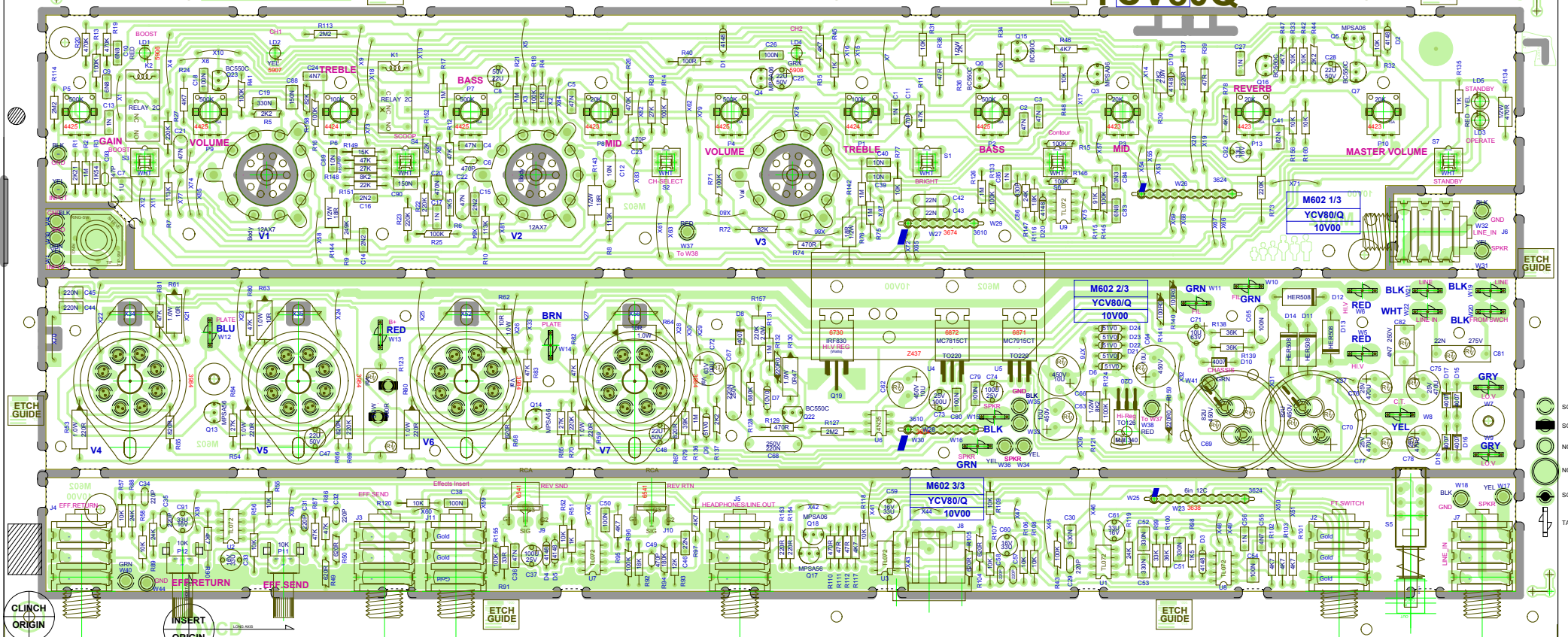
#	DATE	VER#	DESCRIPTION OF CHANGE
1	NOV 18 2002	7.00	MOVE D11 D12 D13 D14 TO ELIMINATE SHORTS
2	JAN04/2005	8.10	PC#6728-TUBE LABELS UPDATED TO V1 TO V7 (GT)
3	JAN-05-2005	8.10	ADDED 2457 HEATSINK (GT)
4	APR-15-2005	9.00	PC#6793, PC#6795: FIX BREAKAWAY AND RTE NEAR S5
5	MAY-17-2005	9.00	QT-FORCE UPDATE PADS REQUIRED TRACE CHANGES
6	MAY/12/06	10.00	R84 4949S -> 4479S 100K, REPLACED LEAD SIZE PARTS
7	MAY/23/06	10.00	PC#725HG: RCA JACKS #9314 TO #6541
8			PC#7091HG: #3522 SWITCH HOLES 0.031" TO 0.040"
9			V N
10			V N
11			V N
12			V N
13			V N

MODEL(S):- YCV80Q

#	DATE	VER#	DESCRIPTION OF CHANGE
1	2001 10 17	2.20	PC#6456 C16 1N TO 2N2, C11 220P TO 470P
2	FEB/2002	4.00	PC#6475 REPLACE R125,R122,C87,Q21 WITH D6.022,D23,D25,D26 51V ZENER IN SERIES
3	NOV 30 2001	2.30	PC#6464 UPDATE SOLDERMASK FOR RCA JACKS AND TABS
4	JAN/17/02	3.00	PC#6512 D11, D12, D13, D14 M602A TO 1N4608
5	FEB/2002	4.00	NEW PADS FOR TABS, RCA JACKS
6	APR 10 2002	5.00	new pads and holes for 3221 Jack
7	APR 29 02	5.10	C15 MOVED ADD JUMPER X64
8	JUN 26 2002	6.00	PC#6544 R124 100K TO 47K
9	JUL 05 2002	6.10	PC#6544 MOVE TRACES RE SLD BRDGING
10	SEP 03, 2002	6.10	PC#6563 R124 47K TO 100K, D25 TO A JMP

MODEL(S):- YCV80Q POTLIST

REF	FUNCTION	PART#	KNOB	(NEW)
W208	PUSH	4428	4430	N
W209	BASS	4428	4430	N
W210	TREBLE	4428	4430	N
W211	GAIN	4428	4430	N
W212	EFF SEND	4407	NA	N
W213	EFF RETURN	4407	NA	N
W214	REVERSE	4428	4430	N
W215	REVERSE	4428	4430	N
W216	VOLUME	4428	4430	N
W217	P	4428	4430	N
W218	P	4428	4430	N
W219	P	4428	4430	N
W220	P	4428	4430	N



CLINCH ORIGIN

INSERT ORIGIN

ETCH GUIDE

ETCH GUIDE

SEE LAYOUT DOCUMENTATION

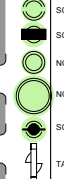
ETCH GUIDE

ETCH GUIDE

ETCH GUIDE

ETCH GUIDE

ETCH GUIDE



M602 PCB DATABASE HISTORY		
MODEL(S):-	YCV80Q	
#	DATE	VER# DESCRIPTION OF CHANGE
1	2001 05 08	1.00p0 First Prototype
2	2001 06 05	1.00p1 Remove cutouts for BE tube sockets, move ribbons cables to line up, change shearing to routing
3	2001 07 05	1.00p2 Moved Send and Return pads out 0.075" Added Skrn outline to BE tube sockets
5	2001 08 13	1.00 Value changes to tweak sound
6	2001 09 20	2.00 Add C166 10N across R122
7	.	Move C93 47P to be across R2
8	.	Add R160 10K from wiper to top of P13
9	.	Add R159 in series with Q20 output.
10	2001 10 10	2.10 pc#6544 D6 30V ->33V, C19 150N ->330N, C20 330N->470N, C15 1N->470P, C17 470P->1N, R23,R23 470K->220K C39, C40 100N->10N
12	.	.
13	.	.

MODEL(S):- YCV80Q		
#	DATE	VER# DESCRIPTION OF CHANGE
1	2001 10 17	2.20 PC#6456 C16 1N TO 2N2, C11 220p TO 470P, R148 10K TO 8K2
2	NOV 30 2001	2.30 PC#6475 REPLACE R125,R122,C87,Q21 WITH D6,D22,D23,D24 D25,D26 51V ZEMER IN SERIES
3	.	C66 220N/250V TO 10u/450V
4	JAN/17/02	3.00 PC#6484 UPDATE SOLDERMASK FOR RCA JACKS AND TABS
5	FEB/26/02	4.00 PC#6512 D11,12,13,14 MR854 TO 1N5408
6	D	V NEW PADS FOR TABS, RCA JACKS
7	Apr 10,2002	5.00 new pads and holes for 3921 jack
8	APR 29 02	. C15 MOVED ADD JUMPER X64
9	JUN 26 2002	5.10 PC#6541 R124 100K TO 47K
10	JUL 05 2002	6.00 PC#6544 MOVE TRACES RE SLD BRDGING
11	SEP 03, 2002	6.10 PC#6563 R124 47K TO 100K D25 TO A JMP

M602		
MODEL(S):-	YCV80Q	
#	DATE	VER# DESCRIPTION OF CHANGE
1	NOV 18 2002	7.00 MOVE D11 D12 D13 D14 TO ELIMINATE SHORTS
2	NOV-01-2004	8.00 PC#6728:TUBE LABELS UPDATED TO V1 TO V7 (GT)
3	JAN/04/2005	8.10 PC#6789 D11,D12,D13,D14 1N5408 TO HER508 (HG)
4	JAN-06-2005	. ADDED Z437 HEATSINK (GT)
5	APR-15-2005	9.00 PC#6793, PC#6795: FIX BREAKAWAY AND RTE NEAR S5 GT: FORCE UPDATE PADS REQUIRED TRACE CHANGES
6	MAY-17-2005	. R94 #4849 -> #4796 180K, REPLACED LEAD_SIZE PARTS
7	MAY/12/06	10.00 PC#7125:HG: RCA JACKS #3914 TO #6541
8	MAY/23/06	PC#7091:HG: #3522 SWITCH HOLES 0.031" TO 0.040"
9	D	N
10	D	N
11	D	N
12	D	N
13	D	N

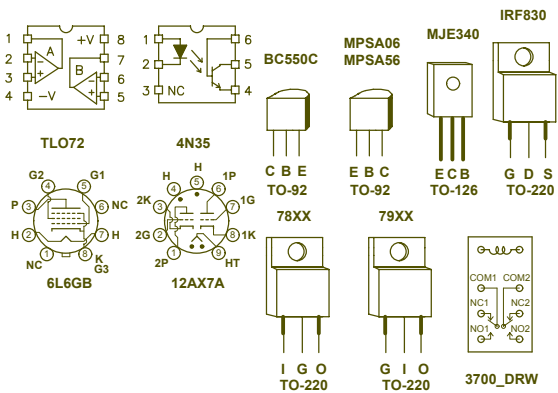
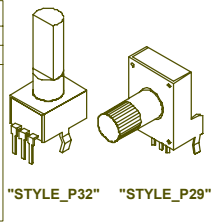
SEE LAYOUT DIAGRAM

M602 DRILL HISTORY		
MODEL(S):-	YCV80Q	
#	DATE	VER# DESCRIPTION OF CHANGE
1	APR-15-2005	V12 PC#6793, PC#6795: FIX BREAKAWAY AND RTE NEAR S5
2	MAY/17/05	V13 SEE HISTORY TABLE FOR V9.00
3	MAY/23/06	V14 PC#7091 #3522 SWITCH HOLES FROM 0.031" TO 0.040"
4	D	V N
5	D	V N
6	D	V N

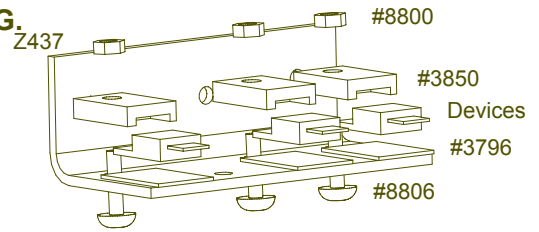
M602 PENDING CHANGES		
MODEL(S):-	YCV80Q	
#	PC#	PENDING CHANGE
1	PC	X
2	PC	X
3	PC	X
4	PC	X
5	PC	X
6	PC	X

*PLACE IMPLEMENTED CHANGES INTO BOARD HISTORY

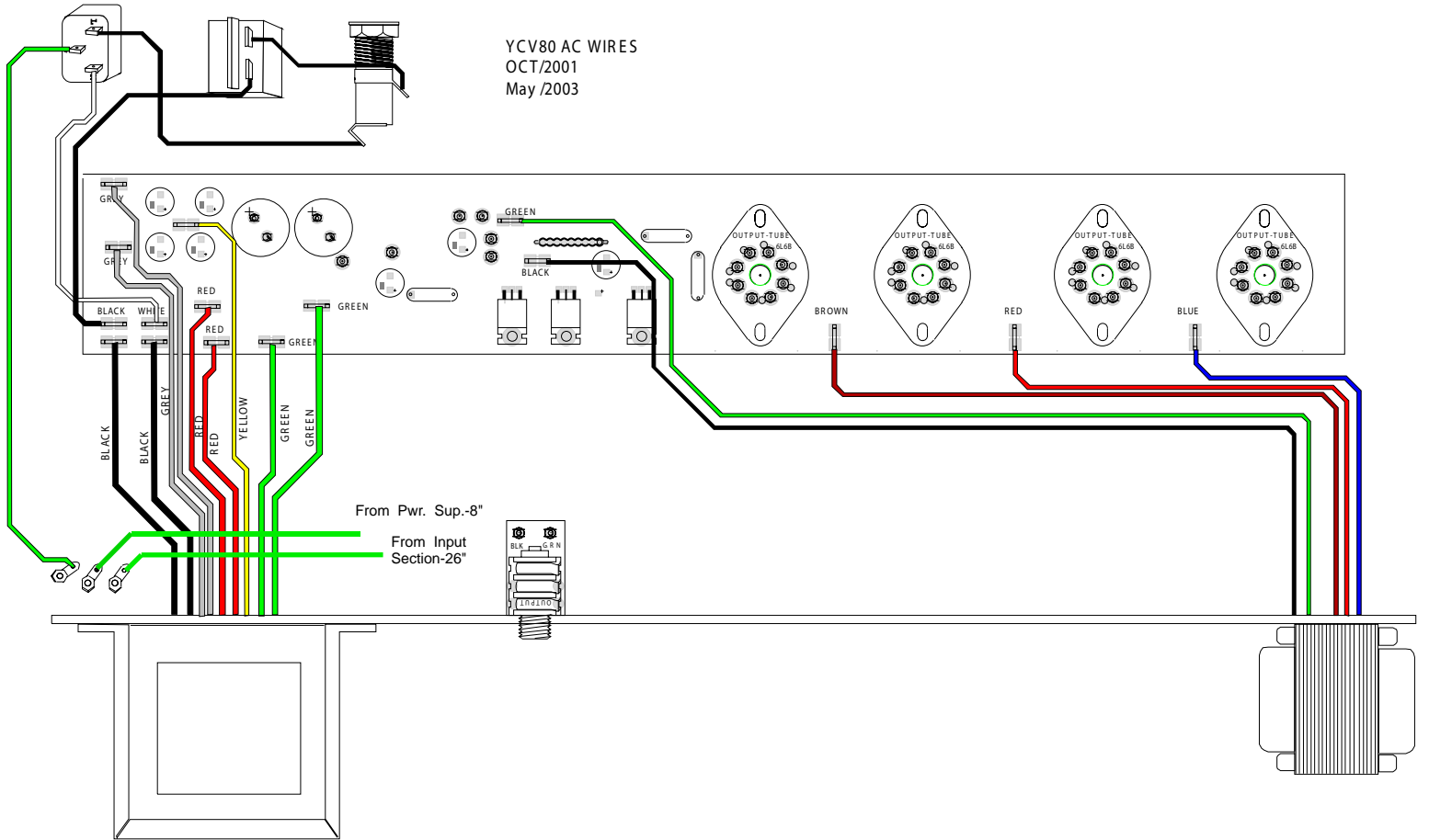
POTLIST				
MODEL(S):- YCV80Q				
REF	FUNCTION	PART#	KNOB	(NEW)
P1,P6	TREBLE	4424	8430	N
P2,P7	BASS	4425	8430	N
P3,P8	MID	4423	8430	N
P5	GAIN	4425	8430	N
P11	EFF SEND	4497	N/A	N
P12	EFF RETURN	4497	N/A	N
P10	PRESCENCE	4423	8430	N
P13	REVERB	4423	8430	N
P4,P9	VOLUME	4425	8430	N
R	F	P	K	N
R	F	P	K	N
R	F	P	K	N



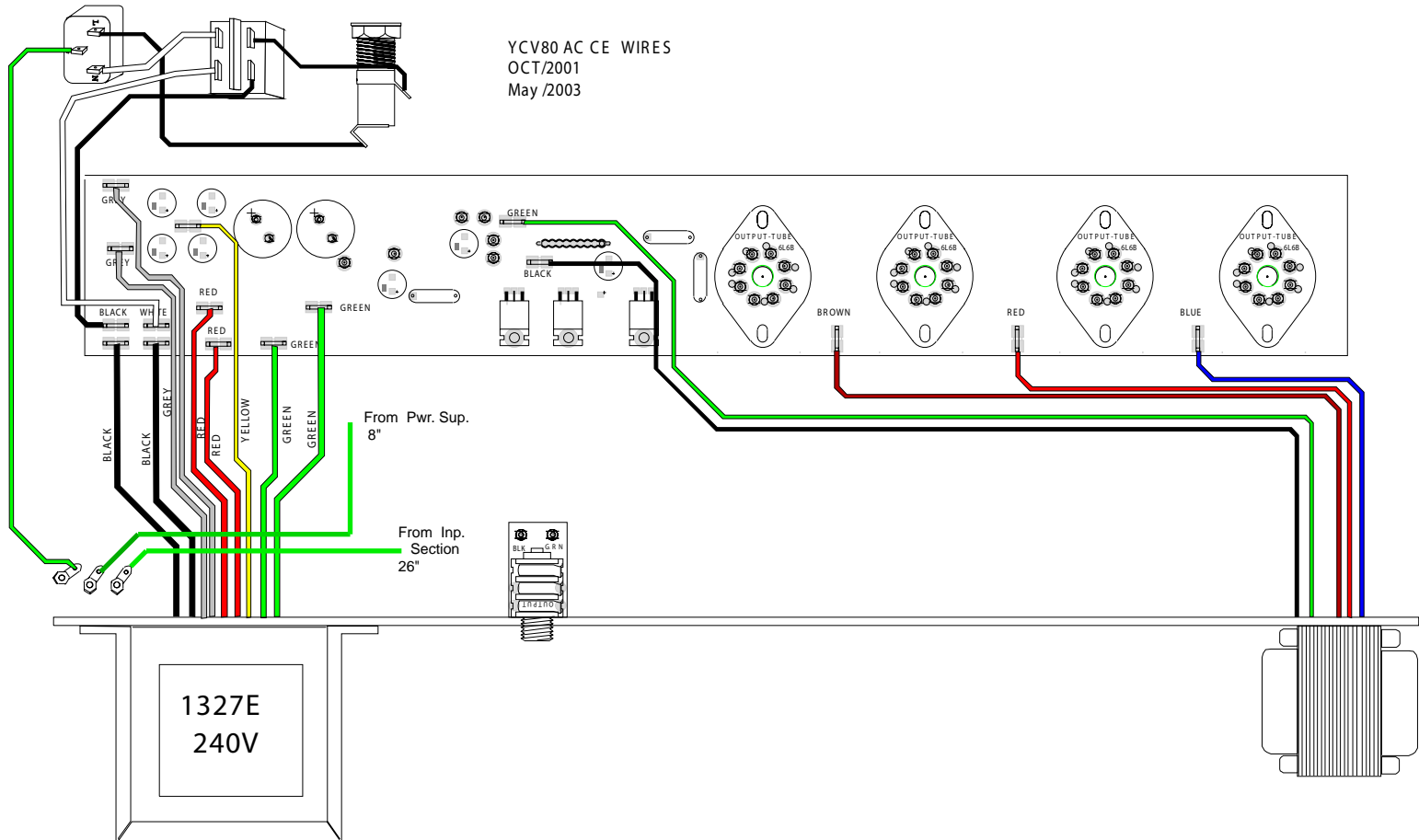
PRODUCTION NOTES:
1. THERE IS A HEATSINK Z436 THAT IS ATTACHED IN WIRING.



YCV80 AC WIRES
OCT/2001
May /2003

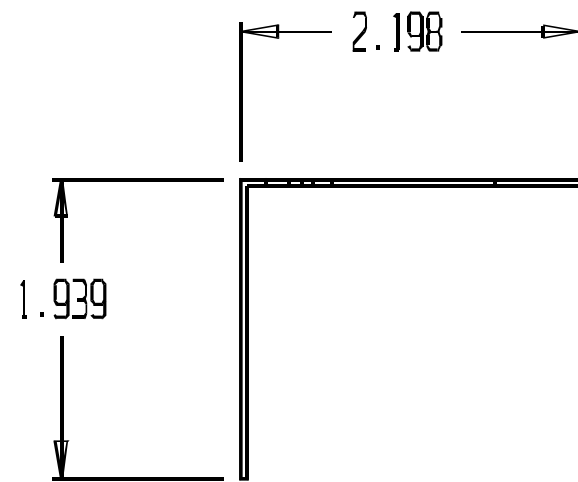


YCV80 AC CE WIRES
OCT/2001
May /2003

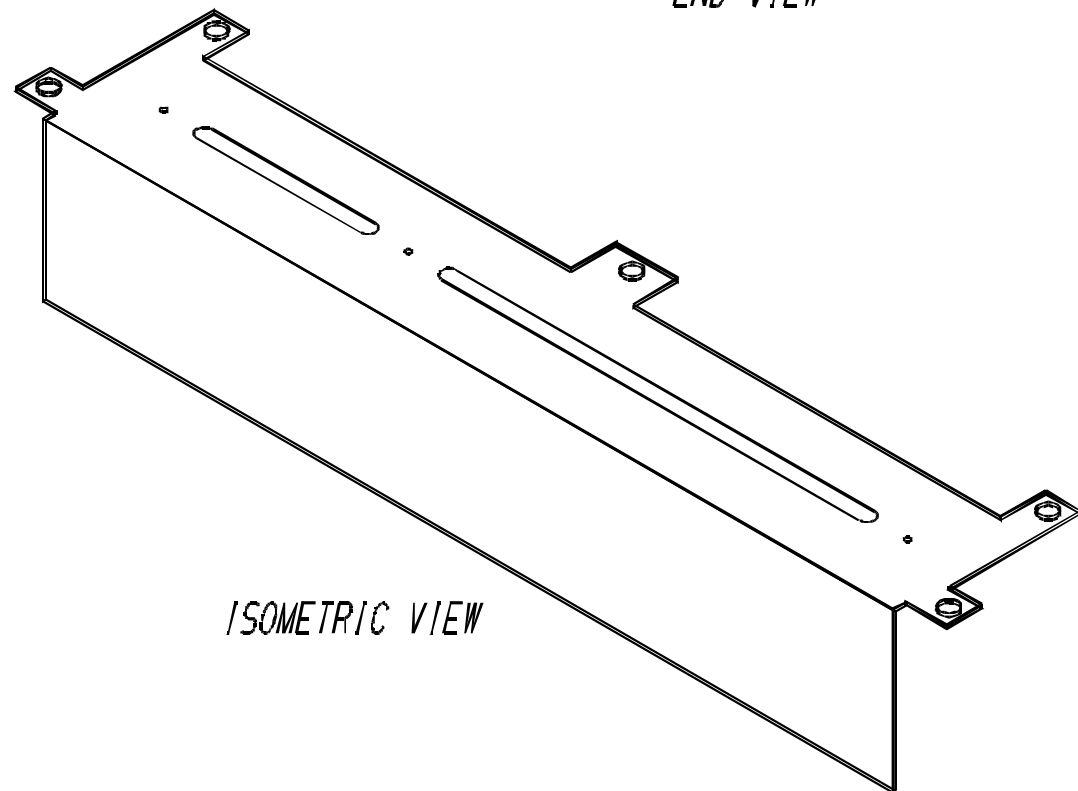


1327E
240V

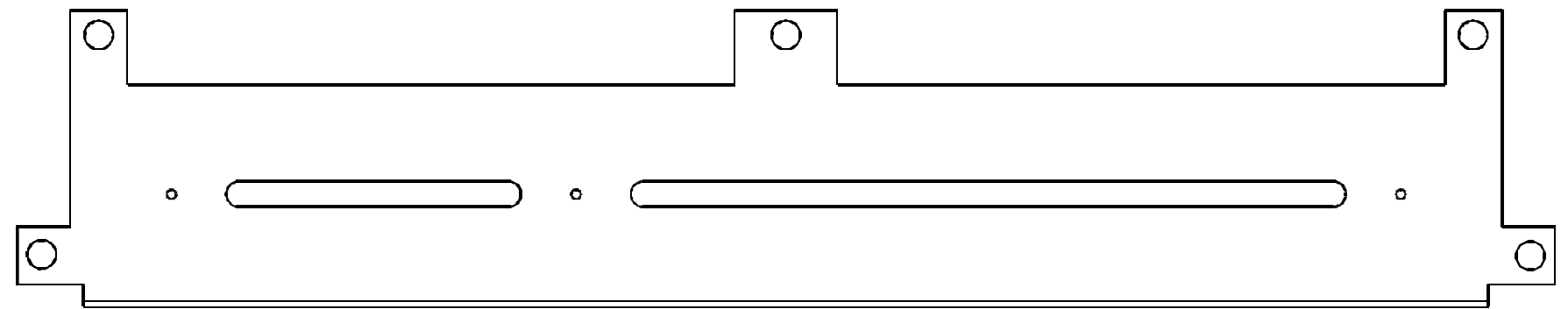
MAT: - 20 GA SATIN COAT
 BLANK: - 48.000 X 96.000
 QTY: - MULTIPLE OF 63 - 1/UNIT
 FINISH:- N/A
 TOL: -



END VIEW

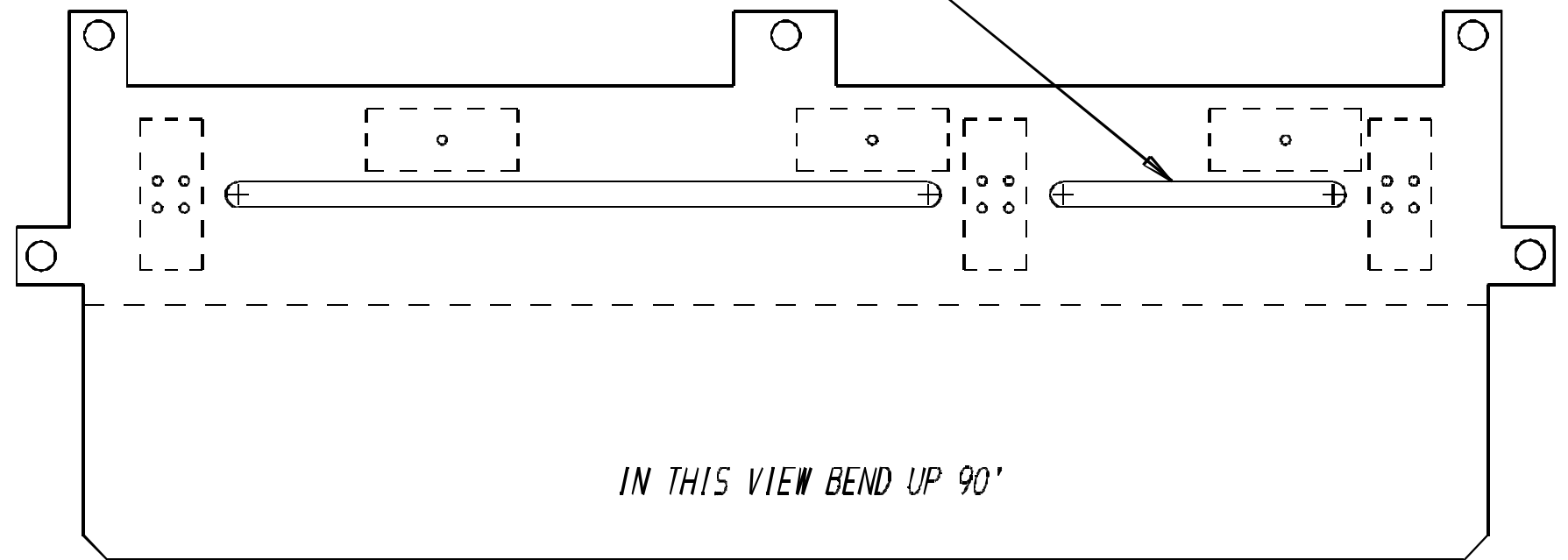


ISOMETRIC VIEW



TOP VIEW

FOR CONSTANT BEAD, SET TOOL AT 7.990



IN THIS VIEW BEND UP 90'

⊙ ⊙ INDICATES LOCATIONS OF FOAM FOR YCV40

○ INDICATES FOAM LOCATION FOR YCV80

VERSION 7.00

DESIGN:-
 DRAWN: - DL/AP
 DATE: - AUG/02

DRW SCALE: -
 PLOT SCALE:-
 FILE NAME: -YCV40/Z358_FP.PRT



TITLE:- YCV40/80 SHIELD
 PART: - Z358
 MODEL:- YCV40/80/CE

DEPT:-

TEXT IS AT .20 AT FULL SIZE

SERVICE BULLETIN: FEB. 20 / 2003

MODEL : YCV80

RE: POTENTIAL FAILURES OF POWER SUPPLY DIODES.

We have experienced an unusual number of failures amongst the rectifier diodes supplied by a specific manufacturer. To this point in time, we have been able to determine that we have received a certain percentage of diodes that have a weakness which surfaces after the unit has been run several times. The symptoms described by customers will be “blowing fuses” or “will not start up”. In either case it is likely that you have one of these bad diodes.

When you experience this condition, we recommend that you replace all 4 rectifiers with industry standard part # 1N4007, or you can order 4007's from us as part # 6438. We recommend changing out all 4 rectifiers in order to be 100% certain of no possible repeat failures.

