

URSA MAJOR, Inc.

Box 28 New Town Branch  
Boston MA 02258 USA  
telephone: 617 924 7697  
telex: 921405 URSAMAJOR BELM

file: SERVMAN1.126, 14 August 1985

PRELIMINARY SERVICE MANUAL

MSP-126  
MULTI-TAP STEREO PROCESSOR

The URSA MAJOR Engineering Department is providing this preliminary service manual to its dealers as an interim aid in servicing MSP-126's. Later, a full service manual, complete with parts list, scope photos of key waveforms, and circuit theory of operation will be available. Technicians seeking additional information in the meantime are referred to the URSA MAJOR StarGate 323 Service Manual. The 323 has many circuits in common with the MSP-126, so that its Service Manual would be helpful.

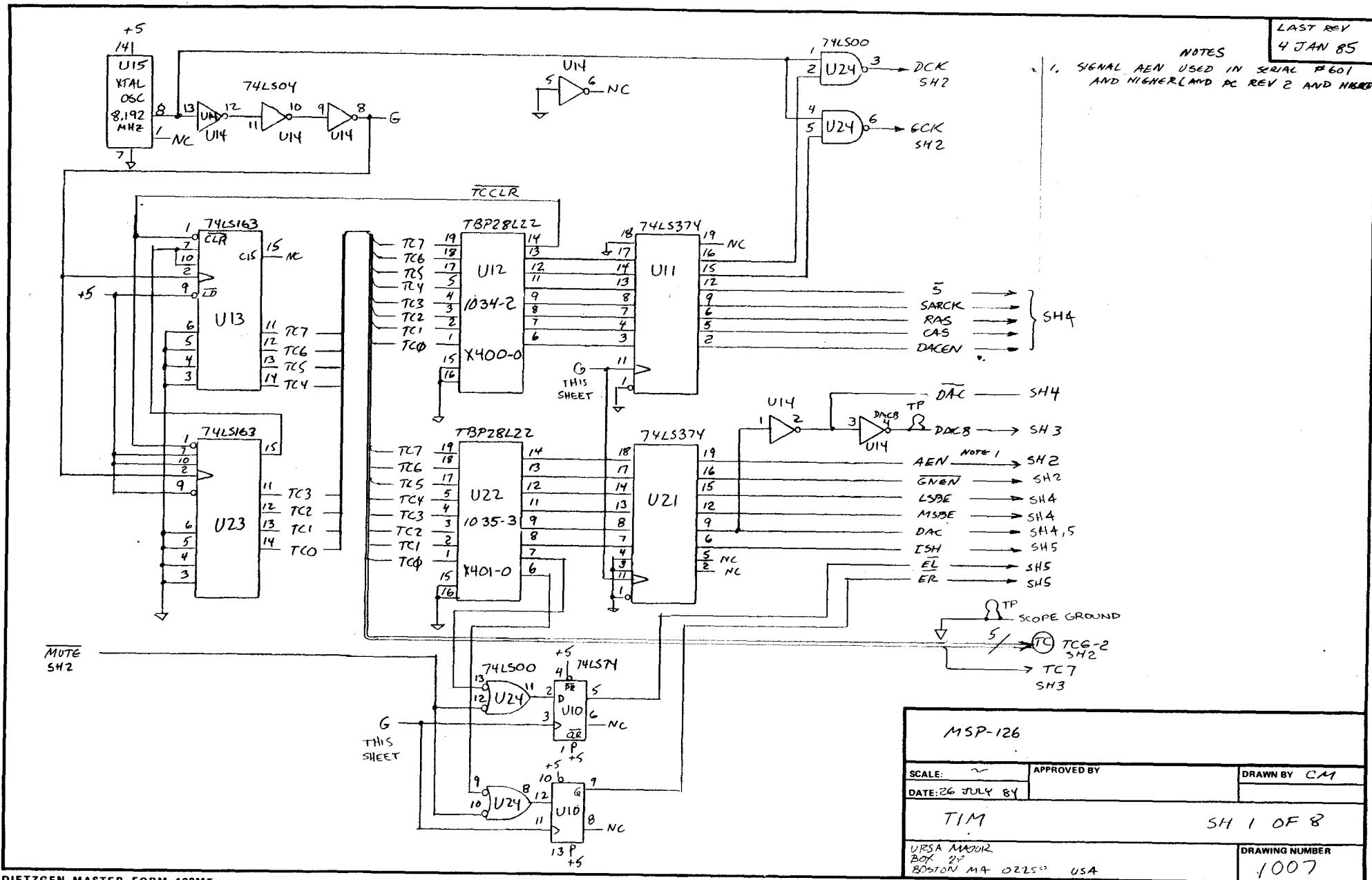
CONTENTS

Schematics, Sheets 1 through 8.

LAST REV  
4 JAN 85

NOTES

1. SIGNAL AEN USED IN SERIAL #601 AND HIGHER/LAND PC REV 2 AND HIGHER

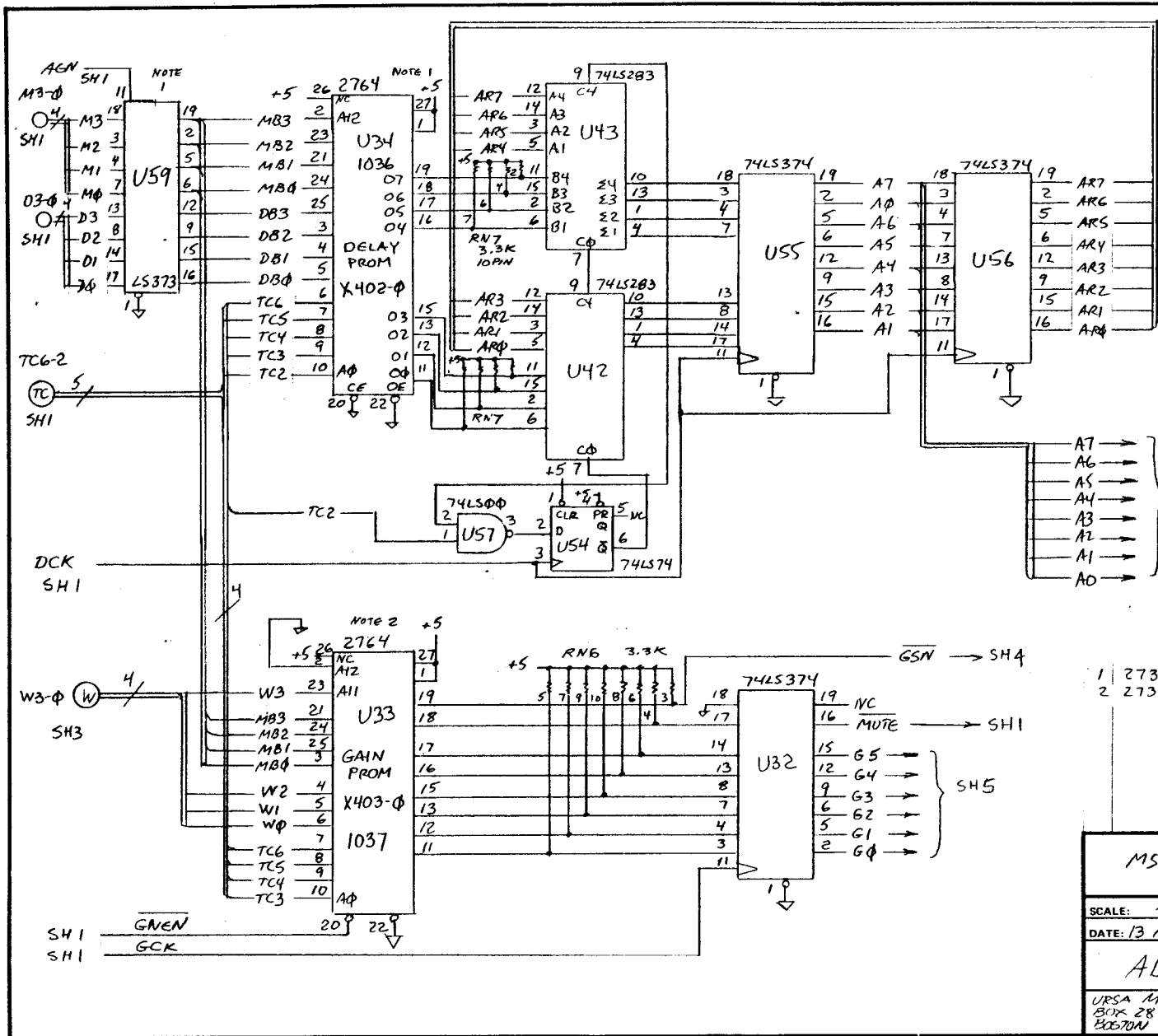


MSP-126		
SCALE: ~	APPROVED BY	DRAWN BY CM
DATE: 26 JULY 84		
TIM		SH 1 OF 8
URS SA MAJOR Box 27 BOSTON MA 02250 USA		DRAWING NUMBER 1007

LAST REV  
4 JAN 85

NOTES

1. U59 LS373 & AEN USED IN SERIAL NUMBER 601 AND HIGHER (AND PC REV 2 AND HIGHER)

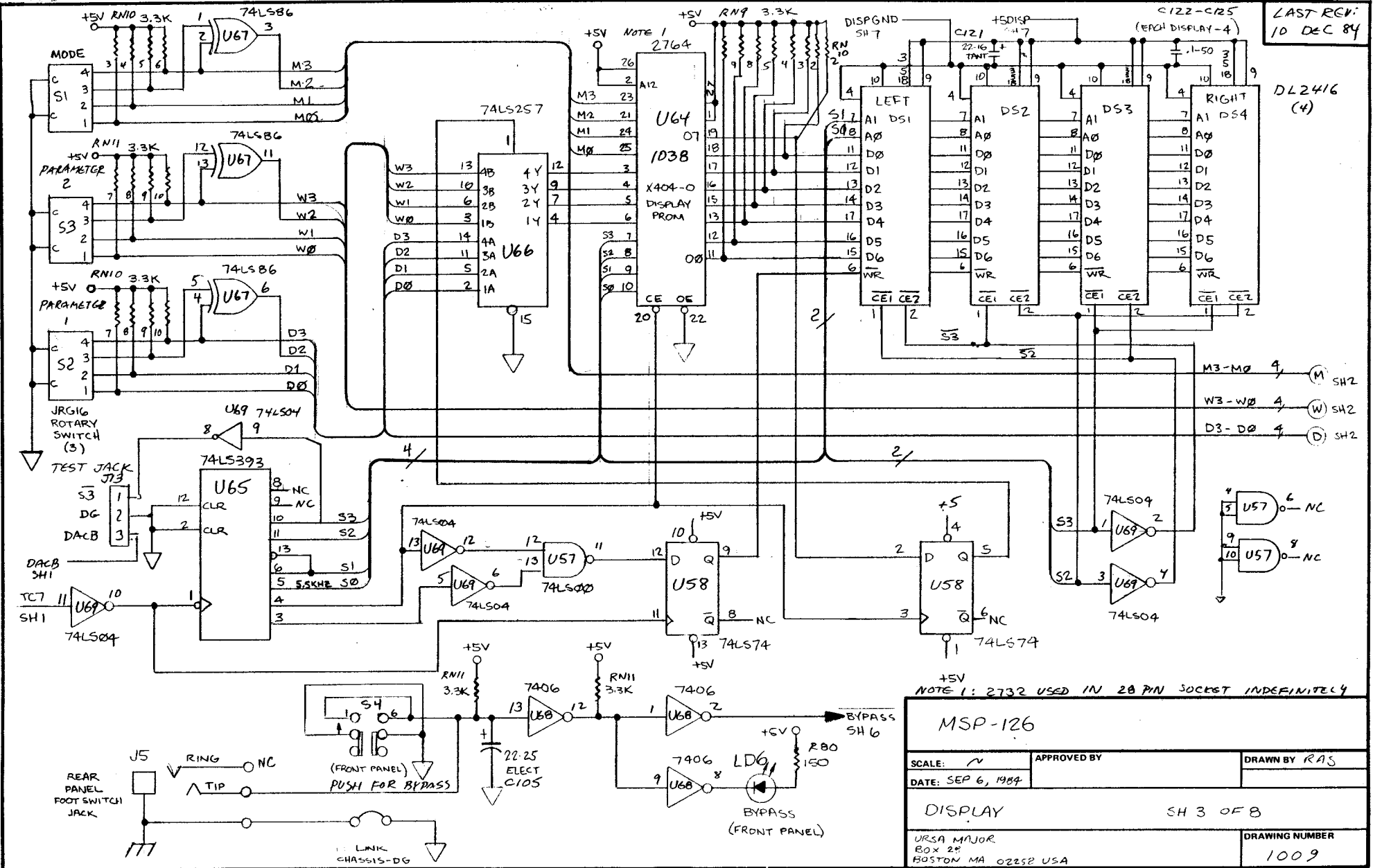


1 2732 USED IN 28PIN SOCKET UNTIL LATER.  
2 2732 TO BE USED IN 28 PIN SOCKET INDEFINITELY.

MSP-126		
SCALE: ~	APPROVED BY	DRAWN BY CM
DATE: 13 MAR 85	SH 2 OF 8	
ADS		DRAWING NUMBER
URSA MAJITZ BOX 28 BOSTON MA 02258 USA		100B

LAST REV:  
10 DEC 84

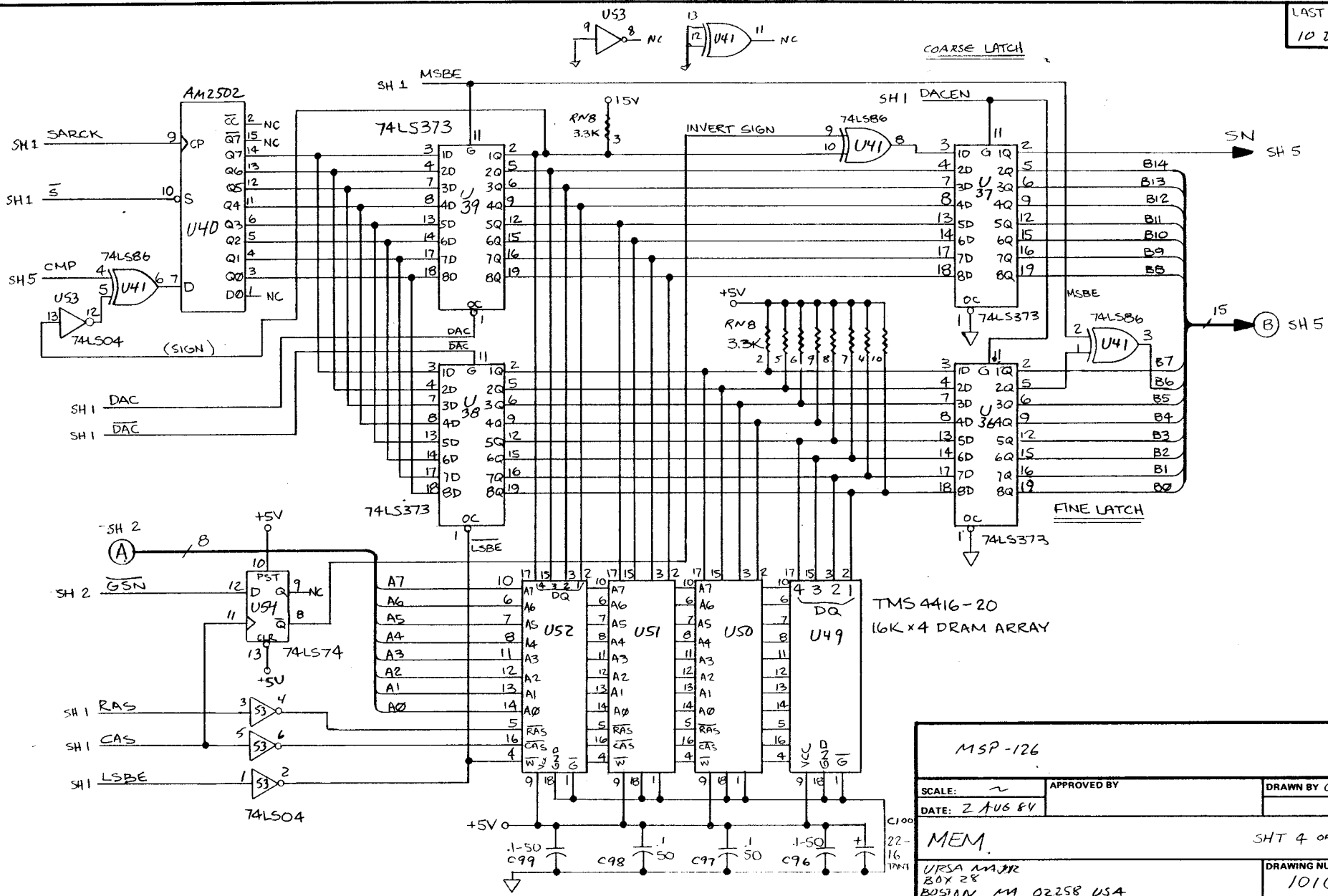
DL2416  
(4)



NOTE 1: 2732 USED IN 28 PIN SOCKET INDEFINITELY

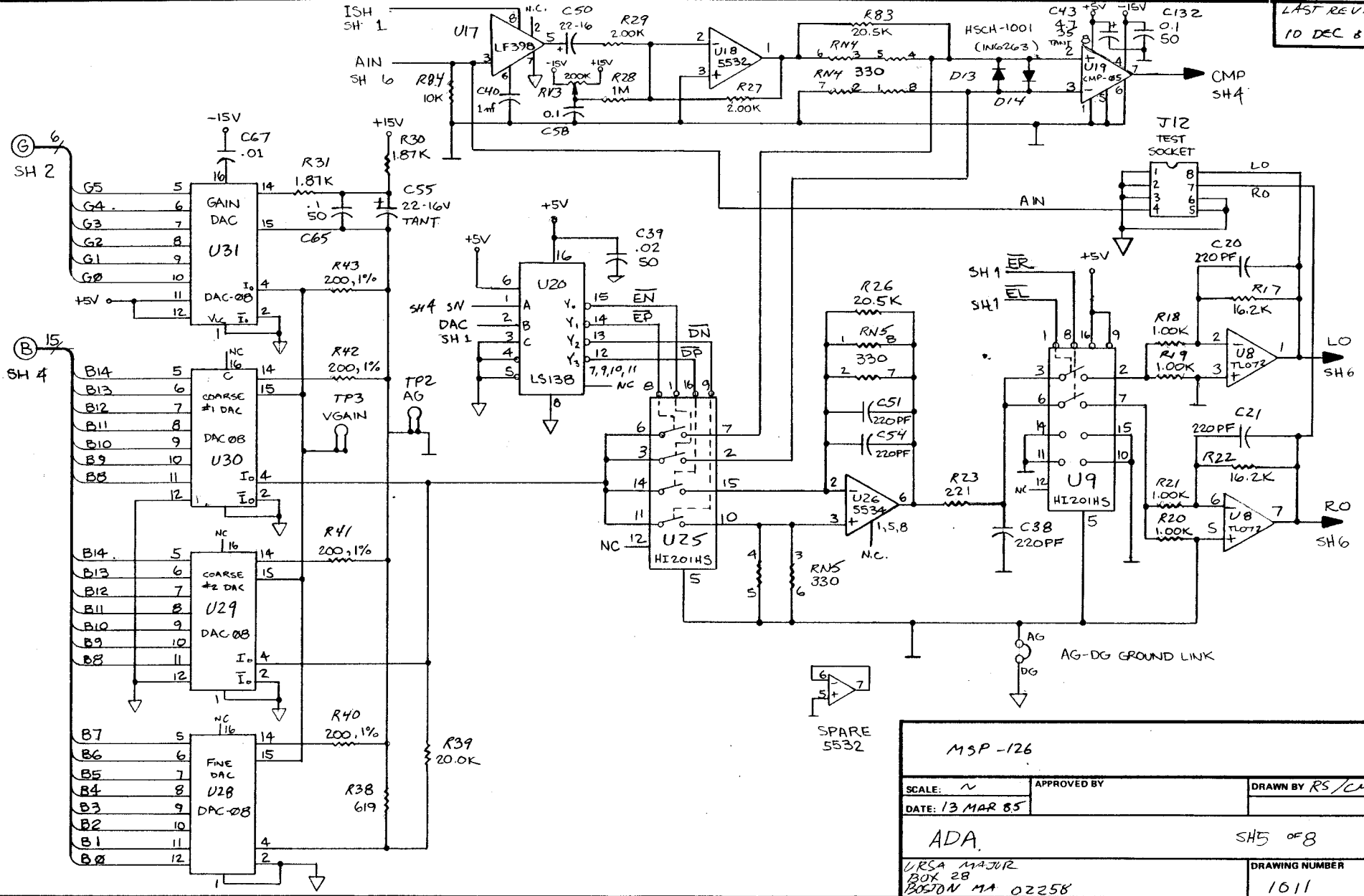
MSP-126		
SCALE: 1/1	APPROVED BY:	DRAWN BY RAS
DATE: SEP 6, 1984		
DISPLAY		SH 3 OF 8
URSA MAJOR BOX 28 BOSTON MA 02152 USA		DRAWING NUMBER 1009

LAST REV ;  
10 DEC 84



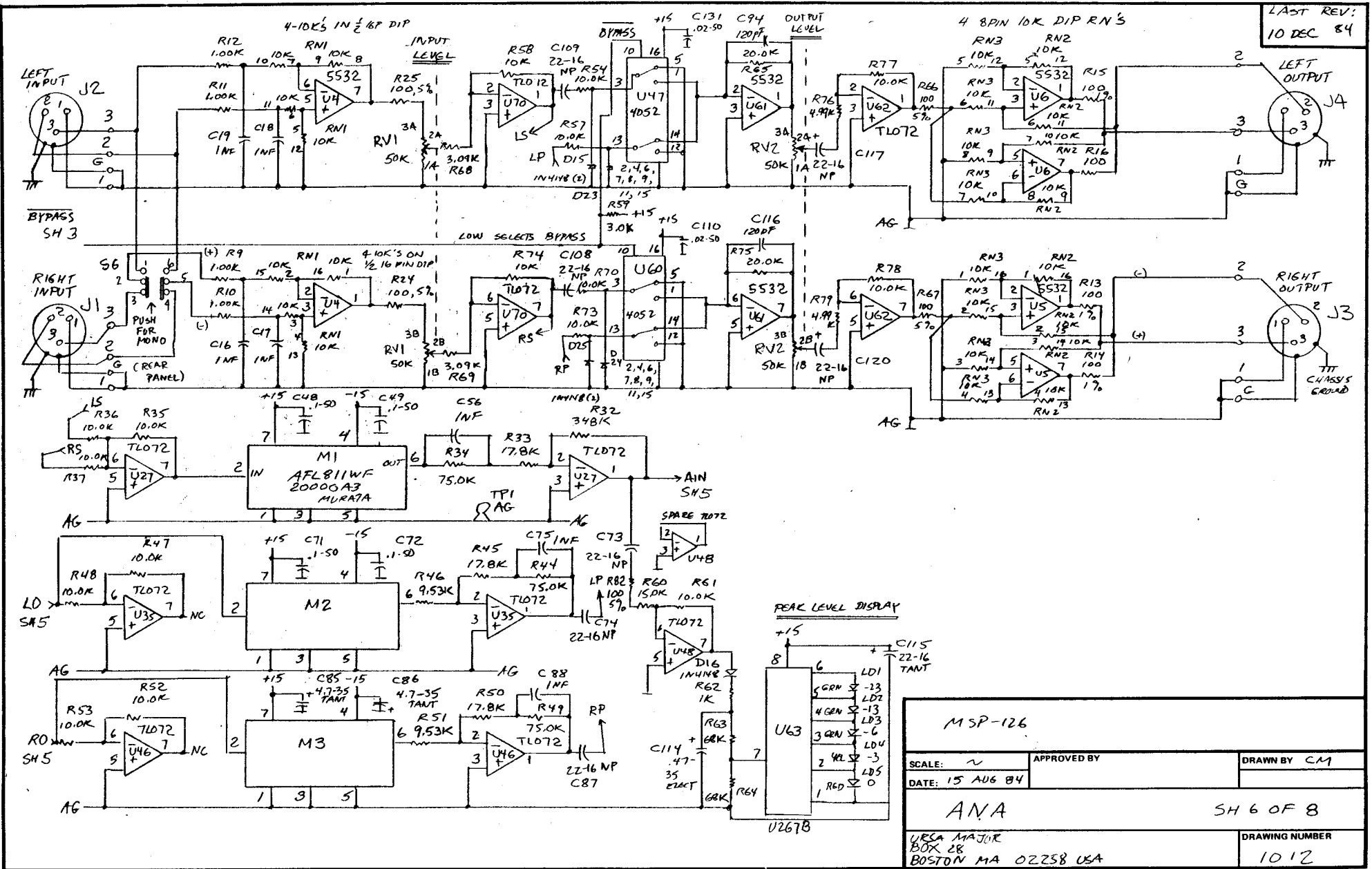
MSP-126		
SCALE: ~	APPROVED BY	DRAWN BY CM/RS
DATE: 2 AUG 84		
MEM.		SHT 4 OF 8
URSA MAJOR BOX 28 BOSTON MA 02258 USA		DRAWING NUMBER 1010

LAST REV:  
10 DEC 84



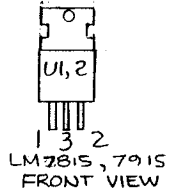
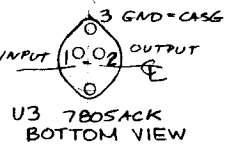
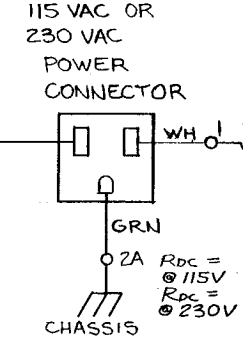
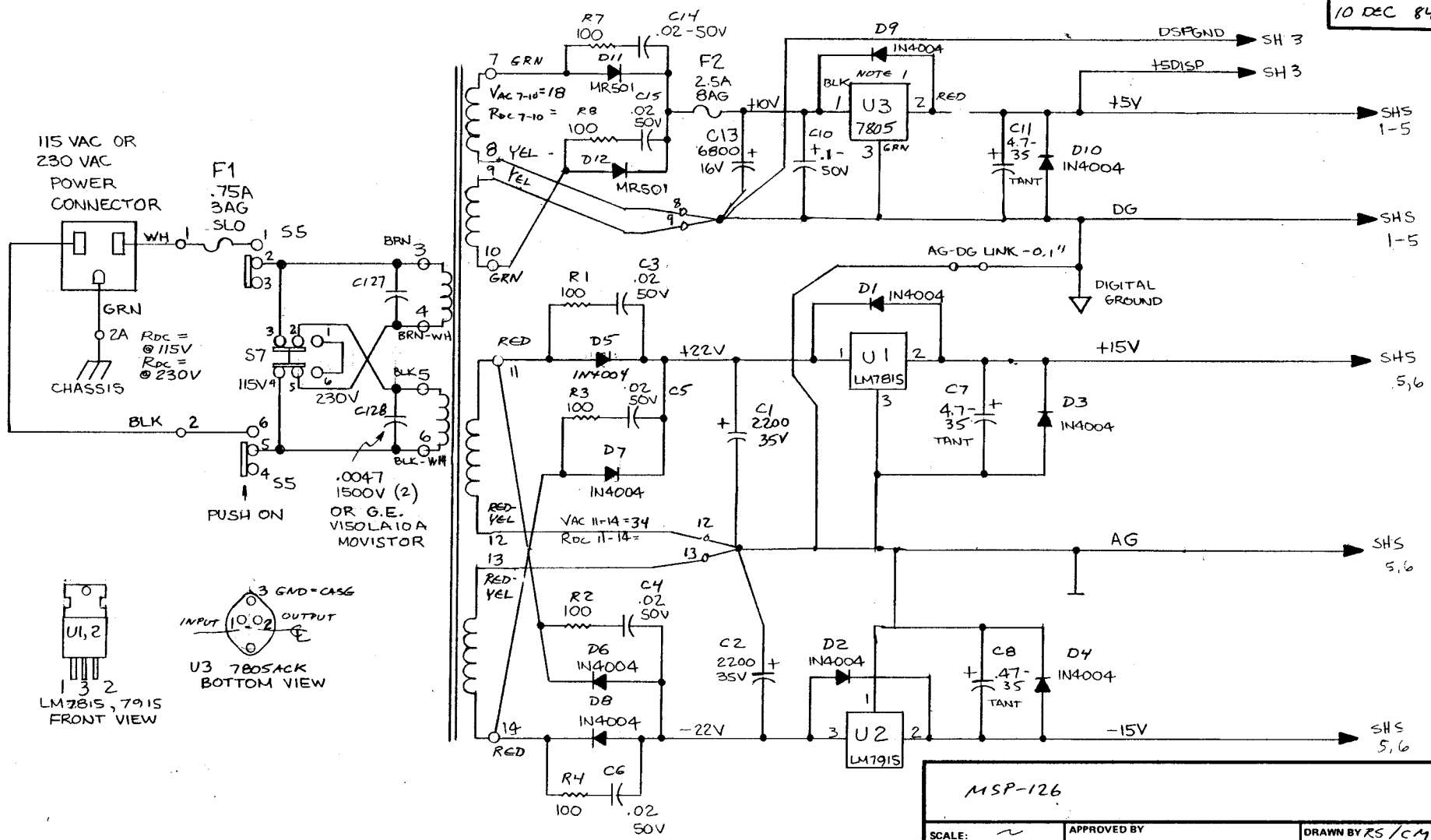
MSP-126		
SCALE: ~	APPROVED BY	DRAWN BY RS/CM
DATE: 13 MAR 85		
ADA		SH5 OF 8
URSA MAJUR BOX 28 BOSTON MA 02258		DRAWING NUMBER 1011

LAST REV:  
10 DEC 84



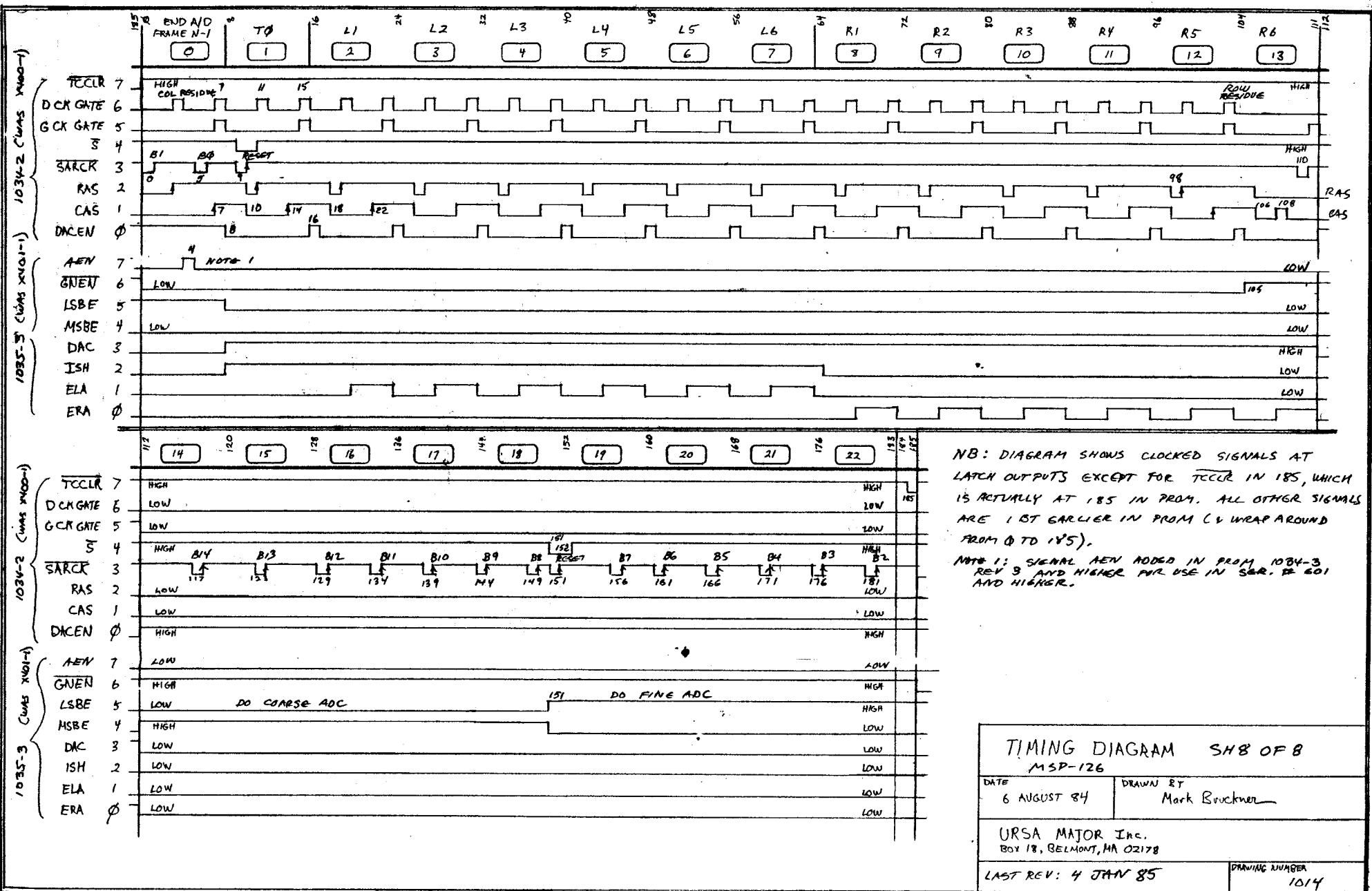
MSP-126		
SCALE: ~	APPROVED BY	DRAWN BY CM
DATE: 15 AUG 84		
ANA		SH 6 OF 8
URCA MAJOR BOX 28 BOSTON MA 02258 USA		DRAWING NUMBER 1012

LAST REV:  
10 DEC 84



MSP-126		
SCALE: ~	APPROVED BY	DRAWN BY RS/CM
DATE: 5 SEPT 84		
PWR.		SH 7 OF 8
URSIA MAJOR BOX 28 BOSTON MA 02258		DRAWING NUMBER 1013





NB: DIAGRAM SHOWS CLOCKED SIGNALS AT LATCH OUTPUTS EXCEPT FOR TCCLR IN 185, WHICH IS ACTUALLY AT 185 IN PROM. ALL OTHER SIGNALS ARE 1 BT EARLIER IN PROM (V WRAP AROUND FROM 0 TO 185).

NOTE 1: SIGNAL AEN ADDED IN PROM 1084-3 REV 3 AND HIGHER FOR USE IN SAR. # 601 AND HIGHER.

<b>TIMING DIAGRAM SH8 OF 8</b>	
MSP-126	
DATE 6 AUGUST 84	DRAWN BY Mark Bruckner
URSA MAJOR Inc. Box 18, BELMONT, MA 02178	
LAST REV: 4 JAN 85	DRAWING NUMBER 1014