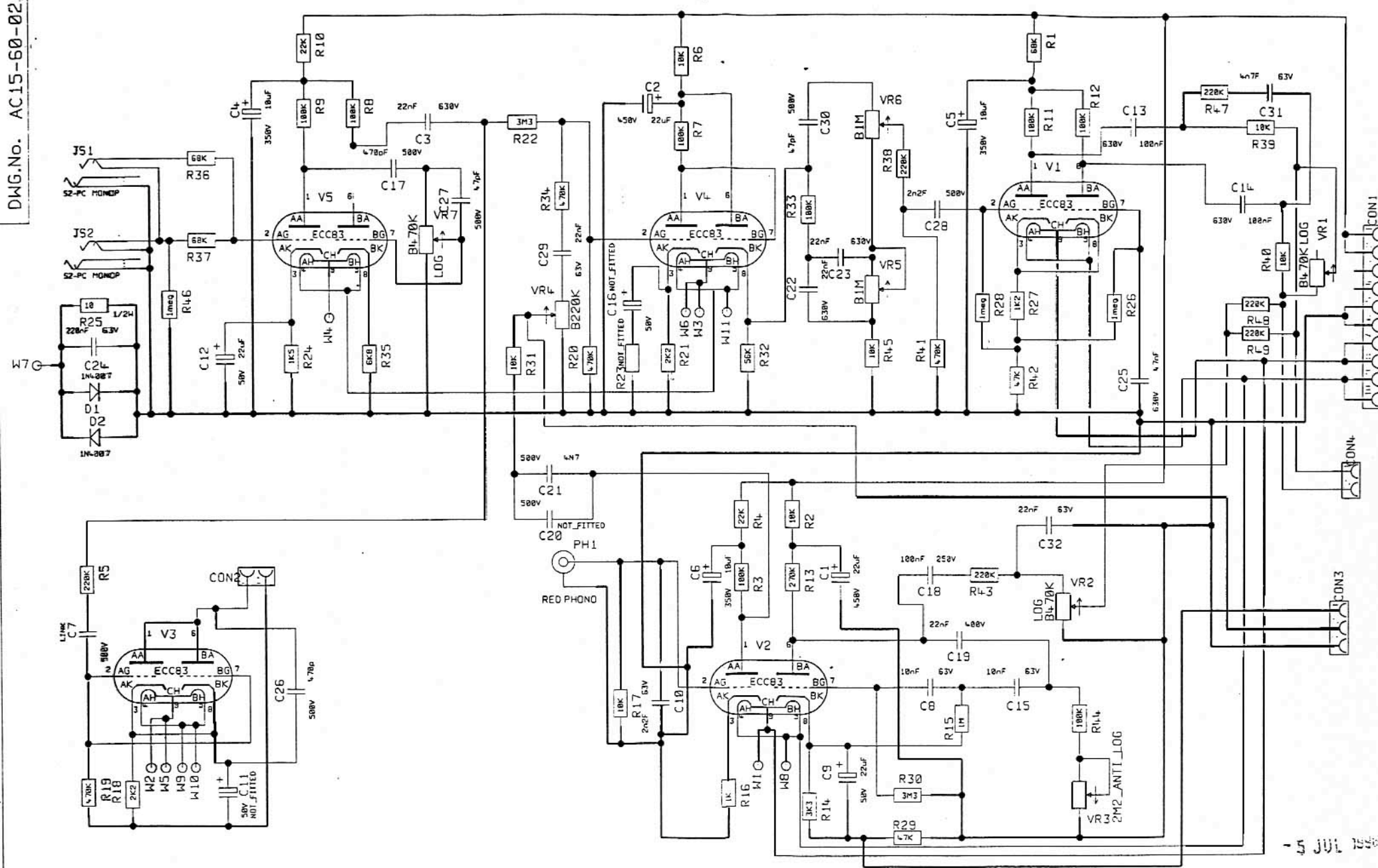


SAFETY CRITICAL COMPONENTS
 REPLACE ONLY WITH SAME TYPE & RATING

ISS	ECO NUMBER	DATE	ALL OTHER HOLES =	X = (THROUGH PLATED)	SG	12_2_96	AC15
A			E	J	N		
B			F	K	P		
C			G	L	Q		
D			H	M	R		



5 JUL 1996



- 5 JUL 1950

ALL OTHER HOLES =		X = (THROUGH PLATED)	
A	F	J	N
B	G	K	P
C	H	L	Q
D		M	R

SG 23 96
AC 15



TITLE
AC 15 PREAMP
DWG.No
AC15-60-02