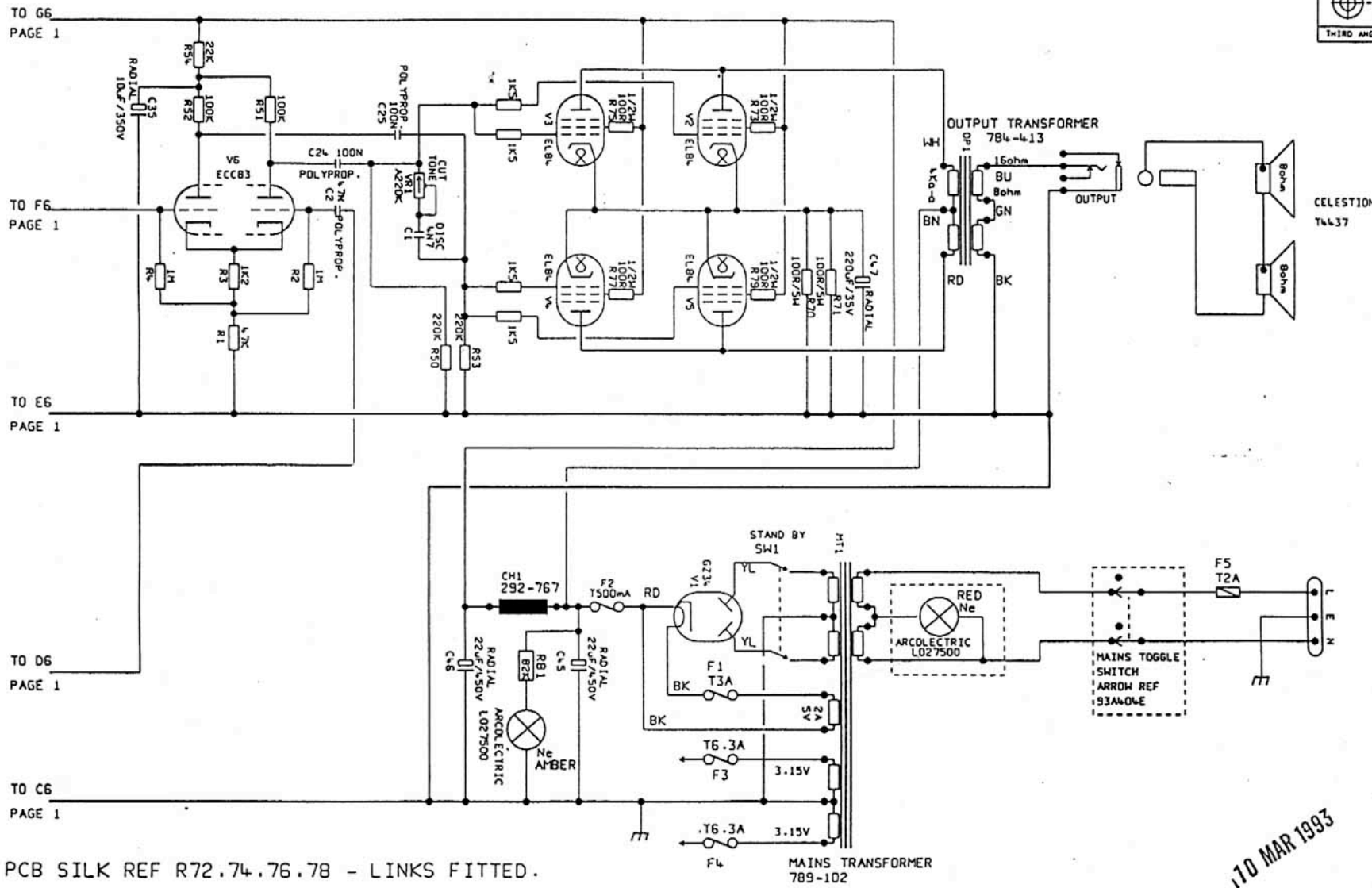


DWG. No AC30-60-02



PCB SILK REF R72.74.76.78 - LINKS FITTED.

170 MAR 1993

UNSPECIFIED HOLE DATA			MATERIAL		DIMENSIONS IN		TITLE
A		H	MATERIAL	THICKNESS	TOLERANCE (UNLESS OTHERWISE STATED)		
B		J	INTERNAL BEND RADIUS				
C		K	EXTERNAL B.F.A.				DWG. No AC30-60-02
D		L	BEND DIA.				
E		M					ISSUE 2
F		N					
G		P					

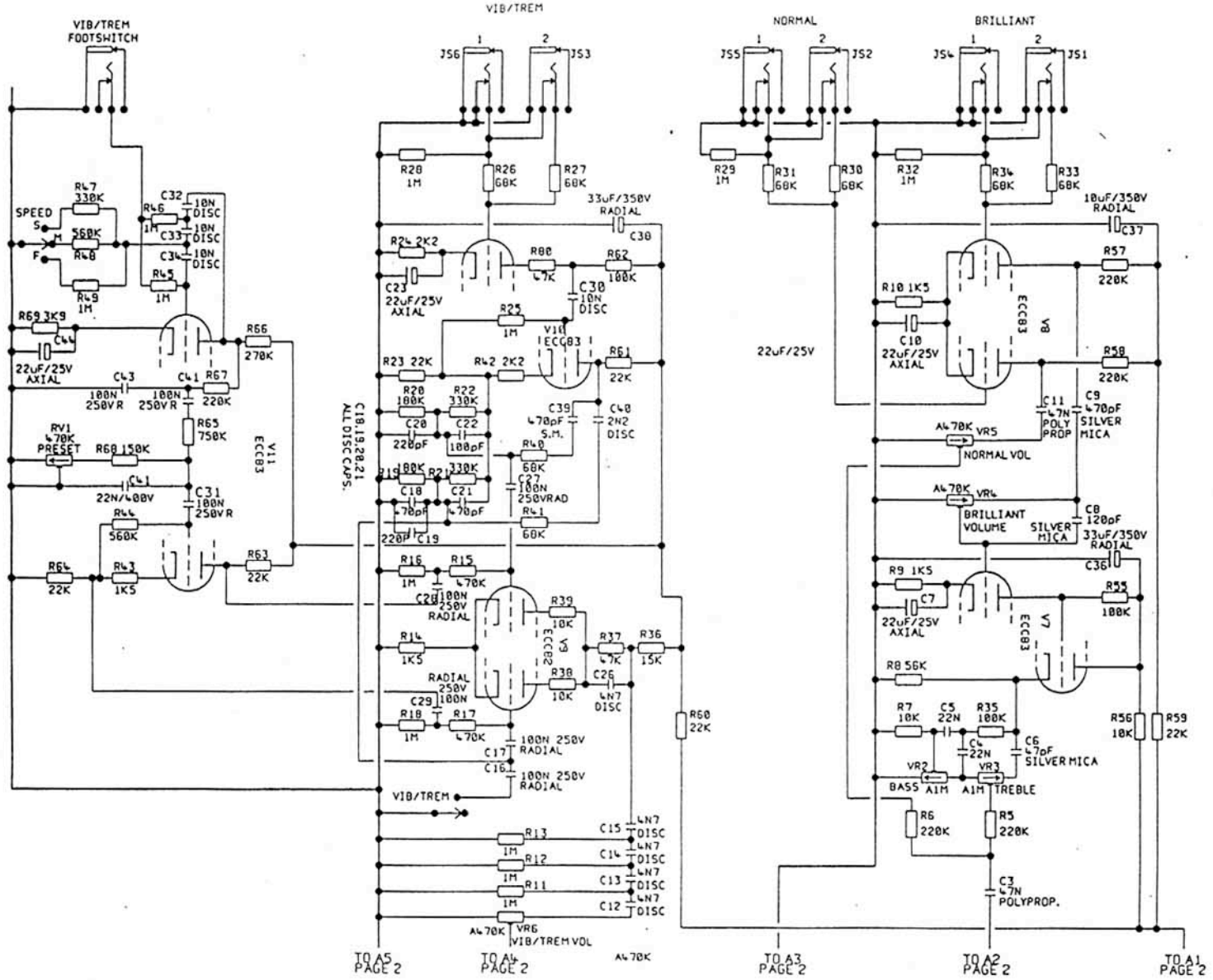
2	0319	9/3/93	DRAWN	S.G.	DATE	10-8-92	AC30 REISSUE
			CHECKED		DATE		
			APPROVED		DATE		

<p>VOX</p> <p><small>COPYRIGHT EXISTS ON THIS DOCUMENT. IT MUST NOT BE USED FOR ANY PURPOSES OTHER THAN FOR WHICH IT IS SUPPLIED AND MUST NOT BE REPRODUCED IN WHOLE OR IN PART WITHOUT WRITTEN PERMISSION FROM VOX ELECTRONICS LTD NUMBER: 102001555</small></p>		<p>TEL: 061-861 1377 TEL/FAX: 23178 80000 FAX: 061-861 1395</p>
--	--	---



THIRD ANGLE PROJECTION

DWG.No. AC30-60-02



10 MAR 1993

2	0319	9/3/93
ISS	ECD NUMBER	DATE

UNSPECIFIED HOLE DATA		
A		H
B		J
C		K
D		L
E		M
F		N
G		P

MATERIAL	
MATERIAL THICKNESS	
INTERNAL BEND RADIUS	
EXTERNAL BEND RADIUS	
BEND DIE	
DATE	18-8-92
CHECKED	
DATE	
APPROVED	
DATE	

DIMENSIONS IN	
TOLERANCE (UNLESS OTHERWISE STATED)	
DIMENSIONAL	
CENTRES	
ANGULAR	
MODEL	
AC30 REISSUE	

VOX

AC30 REISSUE

© 1992 VOX ELECTRONICS LTD. ALL RIGHTS RESERVED. IT MUST NOT BE USED FOR ANY PURPOSES OTHER THAN THAT FOR WHICH IT IS SUPPLIED AND MUST NOT BE COPIED OR DISCLOSED IN WHOLE OR IN PART WITHOUT THE WRITTEN PERMISSION OF VOX ELECTRONICS LTD. VOX ELECTRONICS LTD. UNIT 10, WOODHAY INDUSTRIAL ESTATE, WOODHAY, SOUTHAMPTON, HANTS RG9 6AT, ENGLAND. TEL: 01353 333333 FAX: 01353 333335

TITLE	AC30 TOP BOOST
	(SHT 1 OF 2)
DWG.No	AC30-60-02
ISSUE	2