

STRATED PARTS LIST

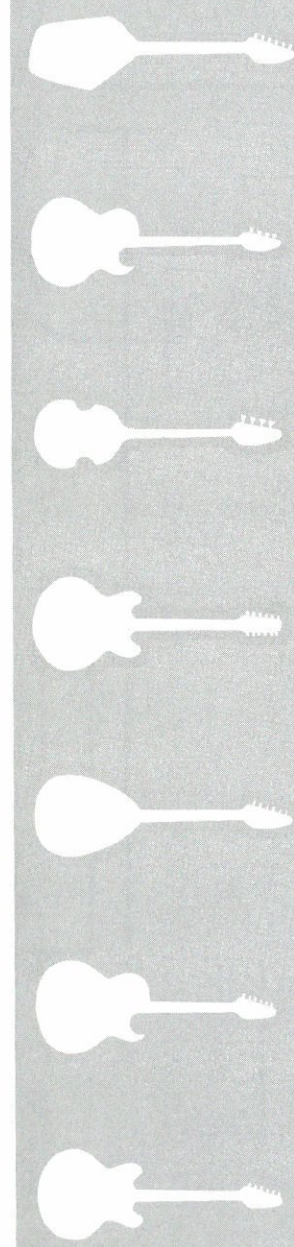
DESCRIPTION
BODY ASSEMBLY
7-0 Acoustical Body (Specify Color)
6-0 Electronic Cover (Plastic - 6-1/2" dia.)
-0 ...Mtg. Screw
5-0 Non-slip Pad (W/Snaps - 12")
6-0 Snap Button & Screw Assy. (Pad)
2-0 Strap Button & Screw Assy.
5-0 Slide Switch Cover (W/Mtg. Screw - Wah-Wah)
3-0 Slide Switch Cover (W/Mtg. Screw - "E" Tuner)
PICK GUARD
5-0
0-0 ...Mtg. Screw & Spacer Assy.
NECK ASSEMBLY W/MACHINE HEADS
2-0 ...Mtg. Screw (#10 x 1-3/4" Oval)
2-0 Machine Head (Single)
4-0 ...Mtg. Screw (#2 x 5/8" Oval)
3-0 Machine Head Eyelet (rd.)
1-0 String Cleat, Spacer & Screw Assy.
7-0 Bridge Nut (Aluminum)
1-0 Fret Wire (Narrow - Order Per Foot)
1-0 Fret Wire (Wide - Order Per Foot)
7-0 Neck Rear Cover Plate (1-5/8" x 2-5/8")
2-0 ...Mtg. Screw (#10 x 1-3/4" Oval)
ADJUSTABLE BRIDGE ASSEMBLY
0-0
1-0 Bridge Stand (Plastic)
0-0 ...Adjustment Nut (Chrome)
TREMOLO TAILPIECE ASSEMBLY
1-0 ...Mtg. Screw (#6 x 1" Oval)
6-0 Tailpiece Frame
9-0 Tremolo Spring
9-0 Roller Bar (W/Pins)
16-0 ...String Mtg. Pin
26-0 Retaining Ring (Roller Bar)
13-0 Action Arm
14-0 ...Mtg. Screw (#10 x 32 Allen Head)
8-0 Tremolo Arm (W/Knob)
30-0 ...Knob (Only)
11-0 Tremolo Arm Mtg. Screw (#10 x 32 rd.)
28-0 Tremolo Arm Mtg. Washer (Leather)
27-0 Tremolo Arm Mtg. Washer (Metal)
12-0 Tremolo Arm Mtg. Nut (#10 x 32 Hex.)
15-0 String Tension Bar
17-0 Retaining Ring (Tension Bar)
Single Notch Aluminum Rollers
25-0 ...String "E" - 1
24-0 ...String "B" - 2
23-0 ...String "G" - 3
22-0 ...String "D" - 4
21-0 ...String "A" - 5
20-0 ...String "E" - 6

INDEX NO.	PART NO.	DESCRIPTION
WAH-WAH LEVER ASSEMBLY		
35	09-3790-0	Slide Pot. Assy. (W/Mtg. Hdwre)
36	09-3787-0	Actuator & Mount Assy. (W/Screw)
37	09-3788-0	Lever
38	09-3923-0	Return Spring
ELECTRONIC COMPONENTS		
39	09-3754-0	Distortion, Treble-Bass, Repeat, Wah-Wah Modules & P.C. Board Assy.
	09-3707-0	...Treble-Bass Boost Module
	09-3708-0	...Distortion Module
	09-3755-0	...Repeat Module
	09-3786-0	...Wah-Wah Module
	09-3756-0	...P.C. Board (Only)
	09-3710-0	...100 uF 12V (Electro.) Capacitor
	09-3711-0	...10 uF 15V (Electro.) Capacitor
40	66-5000-0	9V Transistor Battery
41	09-3842-0	Battery Clamp & Screw Assy.
	09-6202-0	...Battery Clip & Cable Assy.
42	09-3703-0	"E" Tuner Assy.
	09-3704-0	...Tuning Coil
	09-3705-0	...P.C. Board (Only)
43	09-1027-0	100k Ohm Linear Pot. (Tone)
44	09-3766-0	Knob (Tone 2)
45	09-105-0	.047 uF 150V (Capacitor)
46	09-3719-0	Knob (Tone 1)
47	09-3716-0	.094 uF 125V (Capacitor)
48	09-1028-0	500k Ohm Log. Pot. (Volume)
49	09-3720-0	Knob (Volume 1)
50	09-3765-0	100k Ohm "BR" Pot. (Repeat)
51	09-3767-0	Knob (Repeat)
52	09-3714-0	1.5k Ohm Pot. (Distortion)
53	09-3721-0	Knob (Distortion)
	09-3718-0	...Set Screw (All Knobs)
54	09-3715-0	500k Ohm "B" Pot. (TR-B Boost)
55	09-3722-0	Knob (TR-B Boost)
56	09-3029-0	Phone Jack (Stereo)
57	09-3924-0	Control & Switch Plate (W/Mtg. Screw)
58	09-3717-0	Dial Pointer
59	09-3772-0	Toggle Switch (W/Knob - 3 Position)
	09-3773-0	...Knob (Only)
60	09-3759-0	Pickup Assy. (Bass)
61	09-3782-0	...Mtg. Bracket (Bass)
62	09-3761-0	Pickup Assy. (Treble)
63	09-3783-0	...Mtg. Bracket (Treble)
64	09-3769-0	Pickup Adjusting Screw & Spring Assy.
65	09-3713-0	Slide Switch (D. P. S. T.)

GUITAR

SERVICE INFORMATION

© 1968



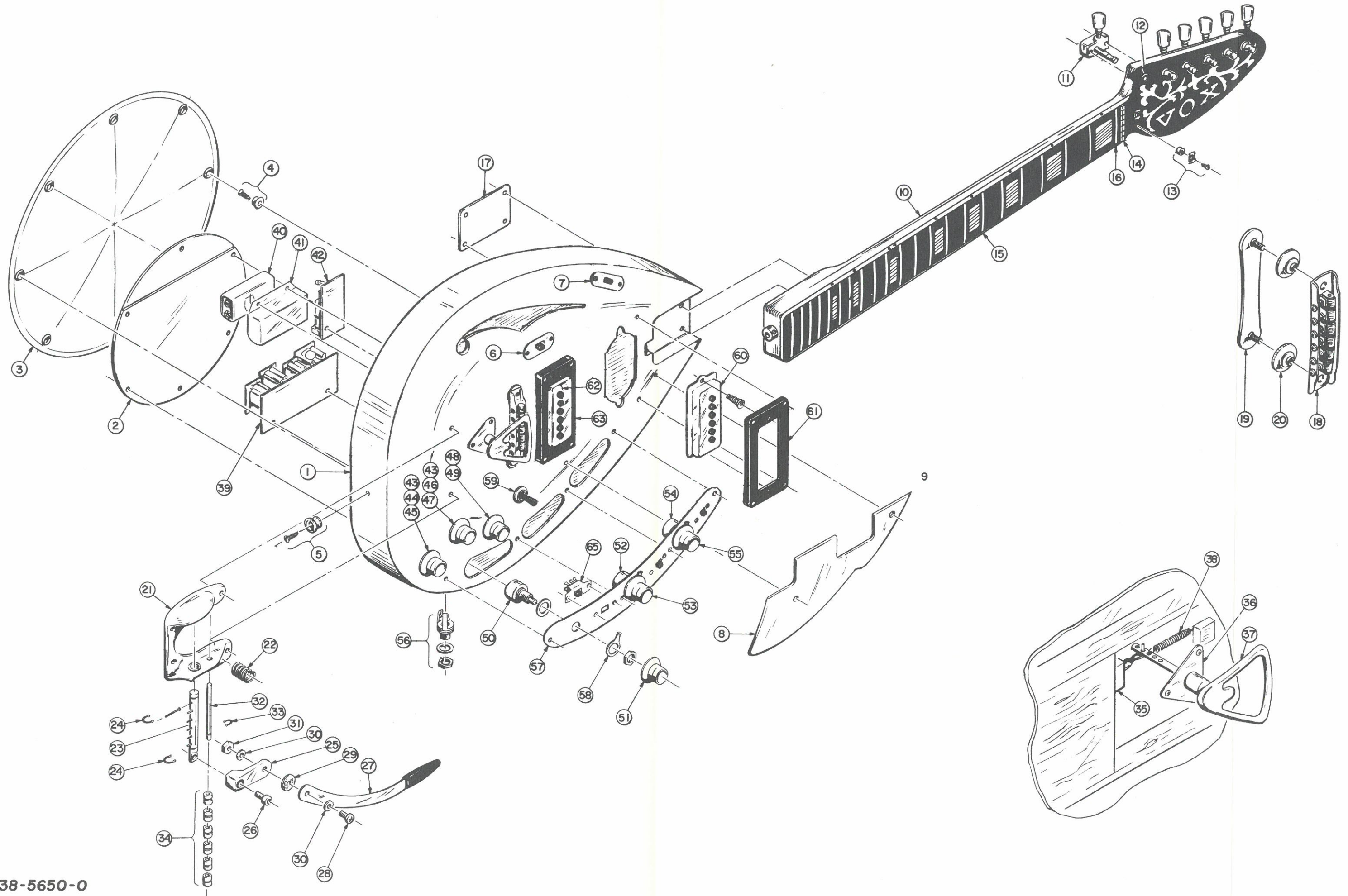
STARSTREAM

V269

MARCH R

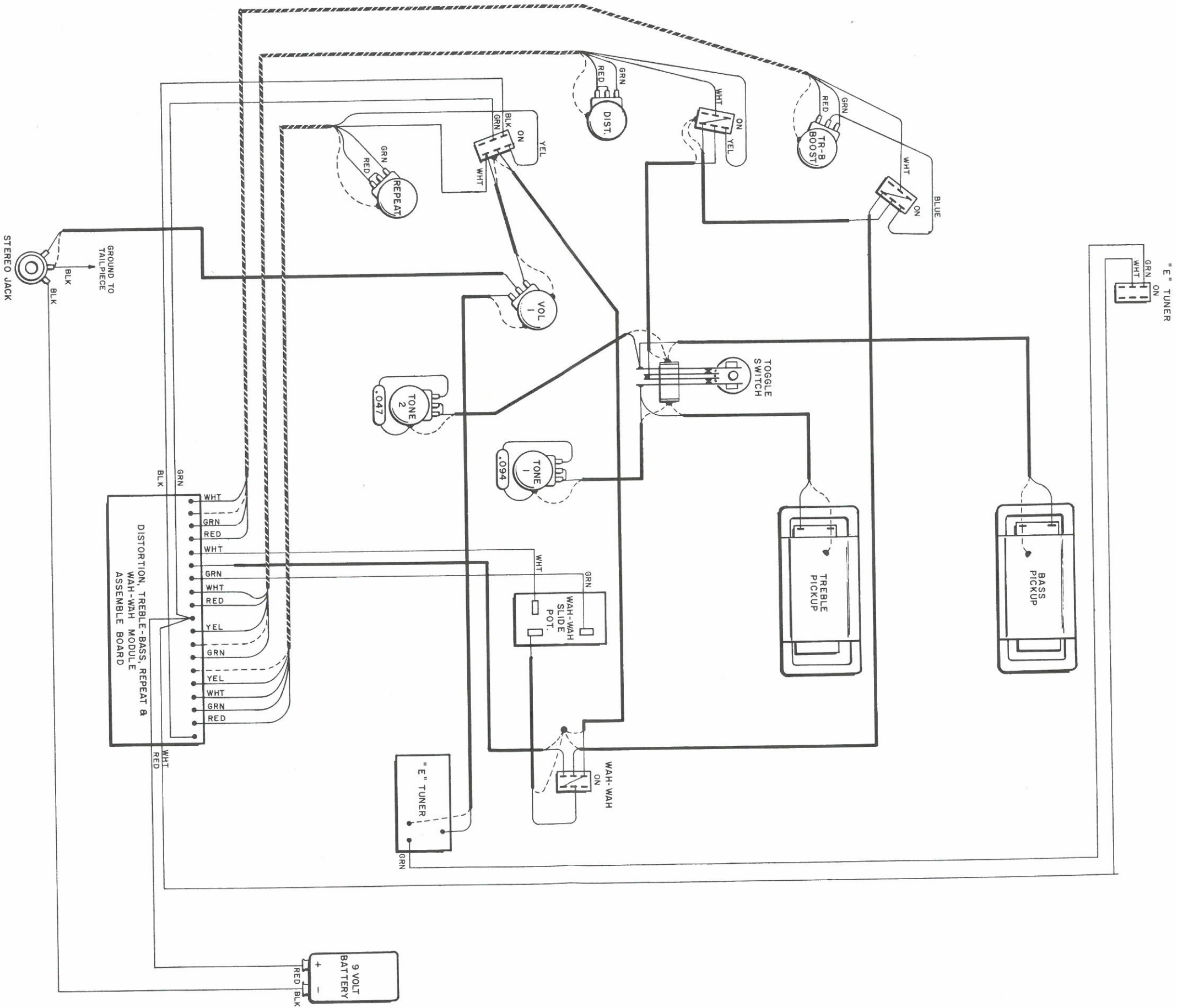
Thomas Organ Company • National Service Department • Sepulveda, California

Printed in U.S.A.



IND	NO
1	
2	
3	
4	
5	
6	
7	
8	
9	
10	
11	
12	
13	
14	
15	
16	
17	
18	
19	
20	
21	
22	
23	
24	
25	
26	
27	
28	
29	
30	
31	
32	
33	
34	

WIRING DIAGRAM



LEGEND

— SINGLE WIRE

▨ SHIELDED CABLE

- - - GROUND