

Wharfedale

Pro

Service Manual :

Mp1200

Professional Amplifier

Mp1200

Table of Contents:

1.Specifications.....	2
2.Assembly sketch.....	3
3.Assembly parts list	4
4. Schematic Diagram.....	5
5.Electronic parts list.....	6

1.SPECIFICATIONS

Output handling

stereo 2ohm	620w
stereo 4ohm	420w
stereo 8ohm	250w
4ohm	1240w
8ohm	840w

Distortion <0.2%

Frequence Response 10Hz-22kHz

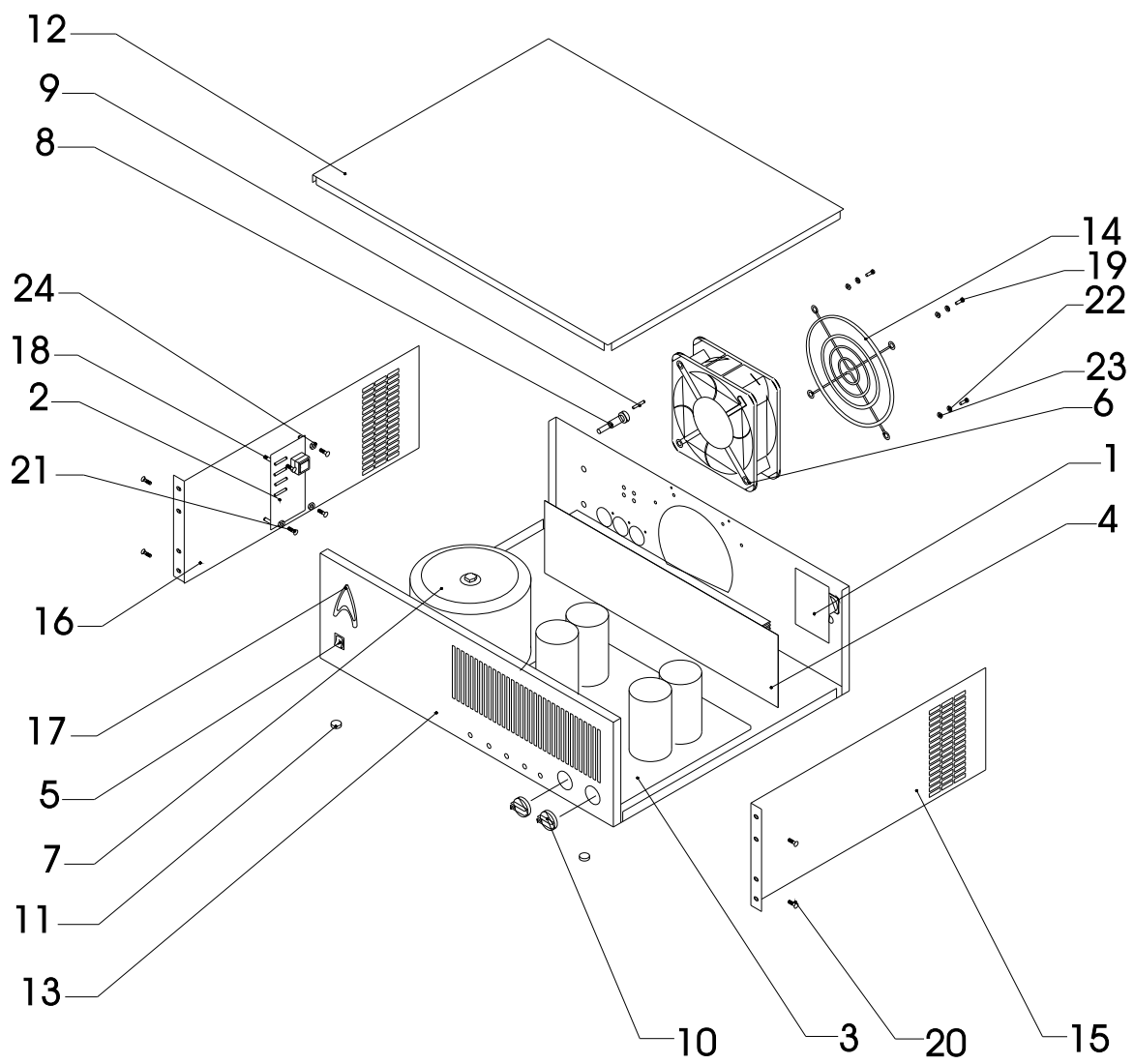
Input sensitivity 0.7v

Signal to Noise Ratio >95dB

Pan isolation >75dB

Mp1200

2.ASSEMBLY SKETCH



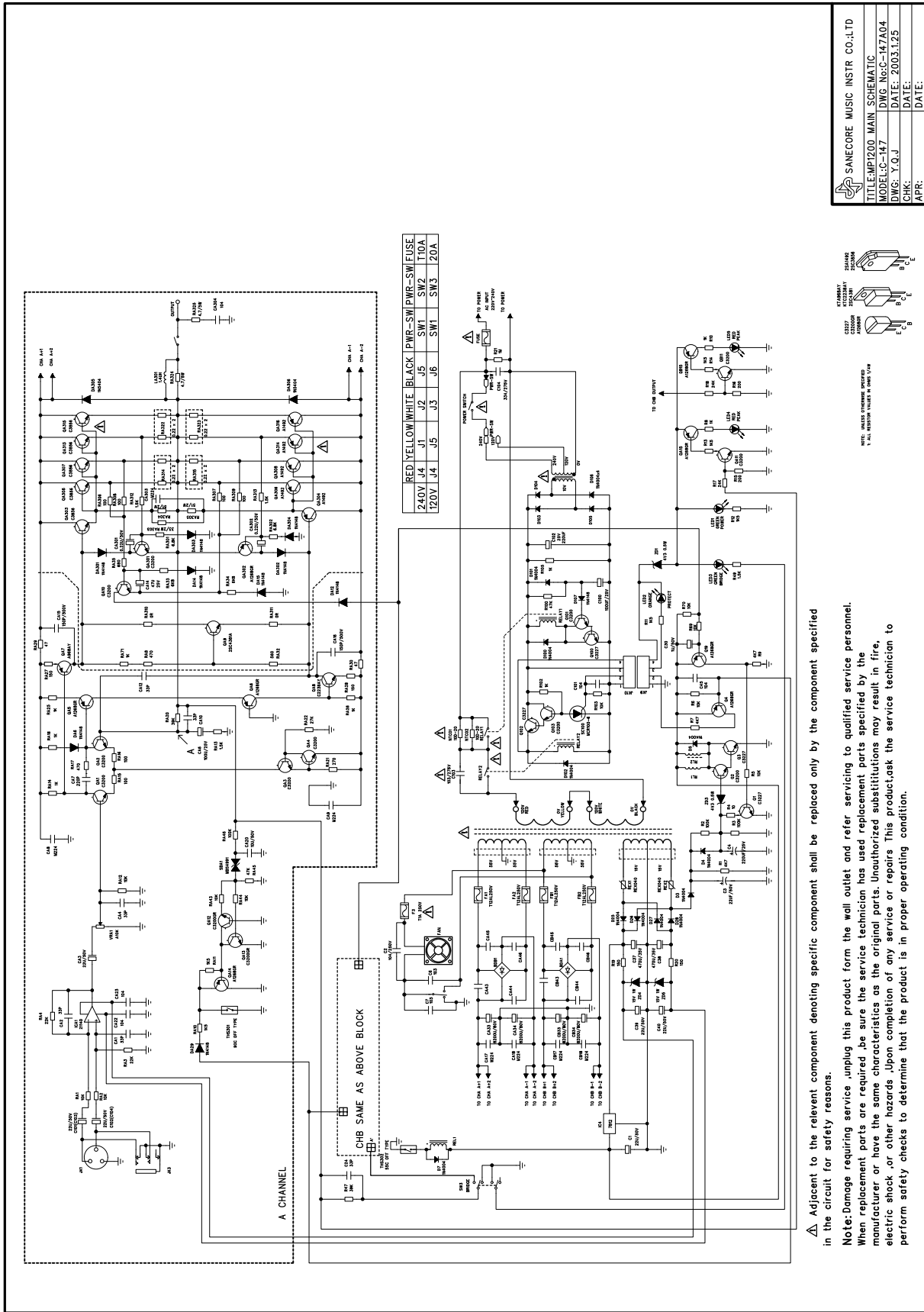
Mp1200

3.ASSEMBLY PARTS LIST

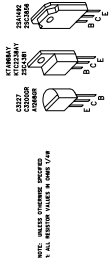
R/N	P/N	PART NAME	DESCRIPTION	QUA
1	088-1148001300	SIGNAL INPUT P.C.B		1
2	088-1148003700	AC INPUT P.C.B		1
3	088-1147000000	CHANNEL P.C.B		1
4	088-1147001000	AMPLIFIER P.C.B		1
5	041-2053000000	SWITCH	BR-22C-11L	1
6	083-0010000000	FAN	SP100A	1
7	022-2000002142	TRANSFORMER	MP1200	1
8	050-0222160122	FUSE HOLDER	D0345RA ADD UL	1
9	031-2300619122	FUSE	T10A 250V 6*30	1
10	213-1026000001	KNOB	PL1024	2
11	226-0200031711	FOOT		4
12	302-1025000001	TOP PANEL	PL1402	1
13	309-1147000001	MAIN FRAME	C14701M	1
14	310-1025000001	GRILL	FG-12	1
15	319-1147000001	LEFT PANEL	C14702M	1
16	320-1147000001	RIGHT PANEL	C14703M	1
17	217-1147000001	LOGO	C14701P	1
18	307-2300500081	CUPER POLE		4
19	527-4022160811A	SCREW	SP(+)4*16 MC H BZn	8
20	527-4022080811A	SCREW	SP(+)4*8 MC H BZn	24
21	535-3031060801A	SCREW	MPW(+)3*6 BZn D	6
22	517-4000000800A	WASHER	M4 BZn	5
23	500-4070320800A	NUT	M4	5
24	500-3050240800A	NUT	M3 BZn	8

Mp1200

4.SCHEMATIC DIAGRAM



SANECORE MUSIC INSTR CO., LTD
 TITLE: MP1200 MAIN SCHEMATIC
 MODEL: C-147 DWG No: C-147A04
 DWG: Y.Q.J DATE: 2003.1.25
 CHK: DATE:
 APR: DATE:



△ Adjacent to the relevant component denoting specific component shall be replaced only by the component specified in the circuit for safety reasons.
 Note: Damage requiring service unplugging this product from the wall outlet and refer servicing to qualified service personnel. When replacement parts are required, be sure the service technician has used replacement parts specified by the manufacturer or have the same characteristics as the original parts. Unauthorized substitutions may result in fire, electric shock, or other hazards. Upon completion of any service or repairs to this product, ask the service technician to perform safety checks to determine that the product is in proper operating condition.

Mp1200

5.ELECTRONIC PARTS LIST

R/N	P/N	PART NAME	DESCRIPTION	QUA
	088-1148001300	SIGNAL INPUT P.C.B	MP1200/1800	1
1	053-1148002613	PCB	68*60mm	1
2	048-2500000000	SOCKET	K3Y1T	2
3	049-2102224111	SOCKET	JY6351-02-250	2
4	043-1600000000	SWITCH	SS-22F16-G10	1
5	006-2204061163	CAPACITOR	SM22U 50V 20%	4
6	056-4209220000	SOCKET	JS-1135R	1
	088-1148003700	AC INPUT P.C.B		1
1	053-1148002636	P.C.B		1
2	022-1048801150	TRANSFORMER	MP EI	1
3	004-3307000000	RESISTOR	10D-20	2
4	021-6000133005	SCR	MCR100-6	1
5	018-0903200115	TRANSISTOR	KTC3200GR	2
6	018-0903227115	TRANSISTOR	KTC3227	2
7	024-2121601001	RELAYS	OZ-SS-112LM1	2
8	067-1004148000	DIODE	IN4148	1
9	067-2204004000	DIODE	IN4004	7
10	013-1040210501	CAPACITOR	100N 63V J	1
11	008-1003027505	CAPACITOR	10NF/275V 10% AC	1
12	008-3304025005	CAPACITOR	MKP334/275VAC 20%	1
13	006-1014061143	CAPACITOR	SM100uF 25V	1
14	006-2214081443	CAPACITOR	220uF 25V	1
15	001-1002105050	RESISTOR	1K 1/4W J	2
16	001-1003105050	RESISTOR	10K 1/4W J	1
17	001-4703105050	RESISTOR	47K 1/4W J	1
18	056-4104220000	HOLDER	JS-1135-04	1
19	086-0500000000	TERMINAL	PC250	11
20	001-1005205010	RESISTOR	1M 1/4W F	1
	088-1147000000	CHANNEL P.C.B		
1	053-1148002600	PCB	215*145mm	1

5.ELECTRONIC PARTS LIST

2	017-027000000	IC	NE5532D/P	1
3	017-031000000	IC	NJM7812FA	1
4	018-0701268115	AUDION	KTA 1268GR TO-92	10
5	018-0701659111	AUDION	KTA 1659Y TO-220	2
6	018-0903200115	AUDION	KTC3200GR TO-92	15
7	018-0903227115	AUDION	KTC3227 TO-92	2
8	018-0904370111	AUDION	KTC4370AY TO-220	2
9	018-3304992115	AUDION	MPS 4992 TO-92	2
10	067-3300749000	DIODE	4.3v500Mwln4749A	2
11	067-3304744000	DIODE	IN4744A	2
12	067-1104148000	DIODE	IN4148	6
13	067-2204004000	DIODE	IN4004	9
14	019-0522122000	LED		2
15	019-0544122000	LED	D5 333AD/E-A	1
16	019-0511122000	LED		2
17	034-1119992508	BRIDGEDIODES	RBV2510	2
18	020-1032420411	VR	RD1610 NOAOX	2
19	009-3301006110	CAPACITOR	33pF 100V 5%	11
20	008-1512050004	CAPACITOR	151/500V 10%	4
21	009-2211006110	CAPACITOR	220P-100V-J	2
22	014-1040300001	CAPACITOR	104-100V-J CL11	2
23	014-1040400004	CAPACITOR	0.1UF/250V J	1
24	008-1003027505	CAPACITOR	10NF/275V 10% AC	2
25	014-2240300001	CAPACITOR	220N-100V-J	8
26	006-1094051163	CAPACITOR	SM1uF 50V 20%	1
27	006-1004051162	CAPACITOR	10UF/50V	2
28	006-2204061163	CAPACITOR	SM22U 50V 20%	6
29	006-1014061143	CAPACITOR	SM100uF 25V	2
30	006-2214081443	CAPACITOR	220uF 25V	1
31	006-4711102053	CAPACITOR	470uF 35V 10%	2
32	006-8224358093	CAPACITOR	8200UF/100V	4

5.ELECTRONIC PARTS LIST

33	050-0100070211	FUSE HOLDER	FUC-2	2
34	050-0200070011	FUSE HOLDER	FUC-4	8
35	079-0401000000	PTC RESISTOR	RXE040	2
36	031-4200504121	FUSE	50T010H 1A250V	1
37	031-2300620122	FUSE	T12A 250V 6*30UL	4
38	086-0500000000	TERMINAL	PC250	12
39	056-0102224400	HOLDER	JS3962-2P-WAFER	2
40	056-0103224400	HOLDER	JS3962-WS-3P	2
41	056-0104220000	HOLDER	JS-4001-4	1
42	056-0106220000	HOLDER	JS-4001-6	3
43	056-4103220000	HOLDER	JS-1135-04	2
44	056-4105220000	HOLDER	JS-1135-05	1
45	024-1120101012	RELAYS	MIH-SH-112L	1
46	001-1000105050	RESISTOR	10ohm 1/4W J	1
47	001-4700105050	RESISTOR	47ohm 1/4W J	4
48	001-1001105050	RESISTOR	100ohm 1/4W J	4
49	001-1501105050	RESISTOR	150ohm 1/4W J	6
50	001-2001105050	RESISTOR	200ohm 1/4W J	2
51	001-2701105050	RESISTOR	270ohm 1/4W J	2
52	001-4701105050	RESISTOR	470ohm 1/4W J	4
53	001-1002105050	RESISTOR	1K 1/4W J	12
54	001-1502105050	RESISTOR	1.5K 1/4W J	11
55	001-4702105050	RESISTOR	4.7K 1/4W J	2
56	001-1003105050	RESISTOR	10K 1/4W J	15
57	001-2203105010	RESISTOR	22K 1/4W F	4
58	001-2403105050	RESISTOR	24K 1/4W J	3
59	001-2703105050	RESISTOR	27K 1/4W J	2
60	001-3903203010	RESISTOR	39K 1/8W F	3
61	001-4703105050	RESISTOR	47K 1/4W J	2
62	001-1004105050	RESISTOR	100K 1/4W J	4
63	306-1009000001	RADIATOR		1

Mp1200

5.ELECTRONIC PARTS LIST

64	056-4104220000	HOLDER	JS-1135-04	1
65	001-1004103050	RESISTOR	100K 1/8W J	2
	088-1147001000	AMPLIFIER P.C.B		
1	053-1148002610	PCB		1
2	018-0903200115	TRANSISTOR	KTC3200GR	4
3	018-0701268115	TRANSISTOR	KTA1268GR	2
4	018-0304381111	TRANSISTOR	2SC4381Y	2
5	018-0303856116	TRANSISTOR	2SC3856	10
6	018-0101492116	TRANSISTOR	2SA1492	10
7	067-1104148000	DIODE	IN4148	12
8	067-2205404000	DIODE	IN5404	4
9	008-1003027505	CAPACITOR	MKT 10NF/275V 10%	2
10	014-1040300001	CAPACITOR	104-100V-J	2
11	006-2284051163	CAPACITOR	SM0.22□F50V20%	4
12	013-2240210501	CAPACITOR	0.22UF/63V J	2
13	006-4704051143	CAPACITOR	SM47□F25V	2
14	056-0104220000	HOLDER	JS-4001-4	1
15	056-0106220000	HOLDER	JS-4001-6	1
16	086-0500000000	TERMINAL	PC250	10
17	024-2121601001	RELAYS	OZ-SS-112LM1	2
18	001-0000105050	RESISTOR	0R 1/4W 5%	4
19	003-0229910050	RESISTOR	BPR55F R22J	8
20	001-0470510050	RESISTOR	4.7ohm5W J	4
21	001-3300308050	RESISTOR	33ohm 2W J	2
22	001-5100308050	RESISTOR	51ohm2W J	4
23	001-1001105050	RESISTOR	100ohm 1/4W J	8
24	001-4701105050	RESISTOR	470ohm1/4W J	2
25	001-5601105050	RESISTOR	560ohm 1/4W J	2
26	001-6801105050	RESISTOR	680ohm1/4W J	2
27	001-1002105050	RESISTOR	1K 1/4W J	2
28	001-1502105050	RESISTOR	1.5K 1/4W J	4

5.ELECTRONIC PARTS LIST

29	001-6802105050	RESISTOR	6.8K 1/4W J	8
30	023-0120115151	COIL	2275-500734	2
31	066-0055003000	SWITCH	KSD301-5.5/5NK	1
32	066-0090002000	SWITCH	KSD301-9.0/5/5NK	1
33	306-1147000011	RADIATOR	C14704M	1

Mp1200