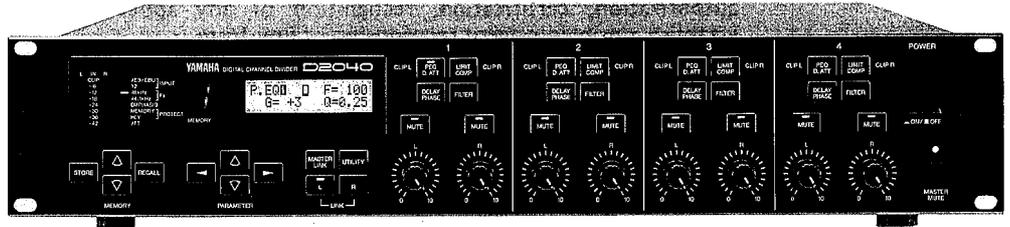


DIGITAL CHANNEL DIVIDER

D2040

SERVICE MANUAL



D2040

■ CONTENTS (目次)

SPECIFICATIONS (総合仕様).....	2/4
PANEL LAYOUT (パネルレイアウト).....	6
CIRCUIT BOARD LAYOUT (ユニットレイアウト).....	7
WIRING (基板結線図).....	8
BLOCK DIAGRAM (ブロックダイアグラム).....	12
DIMENSIONS (寸法図).....	14
DISASSEMBLY PROCEDURE (分解手順).....	15
LSI PIN DESCRIPTION (LSI端子機能表).....	20
IC BLOCK DIAGRAM (ICブロック図).....	24
CIRCUIT BOARDS (シート基板図).....	26
TEST PROGRAM (テストプログラム).....	39/43
INSPECTIONS (検査).....	42/45
INITIALIZATION (RAMのイニシャライズ).....	42/46
PARTS LIST	

IMPORTANT NOTICE

This manual has been provided for the use of authorized Yamaha Retailers and their service personnel. It has been assumed that basic service procedures inherent to the industry, and more specifically Yamaha Products, are already known and understood by the users, and have therefore not been restated.

WARNING: Failure to follow appropriate service and safety procedures when servicing this product may result in personal injury, destruction of expensive components and failure of the product to perform as specified. For these reasons, we advise all Yamaha product owners that all service required should be performed by an authorized Yamaha Retailer or the appointed service representative.

IMPORTANT: The presentation or sale of this manual to any individual or firm does not constitute authorization, certification, recognition of any applicable technical capabilities, or establish a principle-agent relationship of any form.

The data provided is believed to be accurate and applicable to the unit(s) indicated on the cover. The research, engineering, and service departments of Yamaha are continually striving to improve Yamaha products. Modifications are, therefore, inevitable and changes in specification are subject to change without notice or obligation to retrofit. Should any discrepancy appear to exist, please contact the distributor's Service Division.

WARNING: Static discharges can destroy expensive components. Discharge any static electricity your body may have accumulated by grounding yourself to the ground buss in the unit (heavy gauge black wires connect to this buss).

IMPORTANT: Turn the unit **OFF** during disassembly and parts replacement. Recheck all work before you apply power to the unit.

This product uses a lithium battery for memory back-up.

WARNING: Lithium batteries are dangerous because they can be exploded by improper handling. Observe the following precautions when handling or replacing lithium batteries.

- Leave lithium battery replacement to qualified service personnel.
- Always replace with batteries of the same type.
- When installing on the PC board, solder using the connection terminals provided on the battery cells. Never solder directly to the cells. Perform the soldering as quickly as possible.
- Never reverse the battery polarities when installing.
- Do not short the batteries.
- Do not attempt to recharge these batteries.
- Do not disassemble the batteries.
- Never heat batteries or throw them into fire.

ADVARSEL!

Lithiumbatteri. Eksplosionsfare.

Udskiftning må kun foretages af en sagkyndig, og som beskrevet i servicemanualen.

WARNING: CHEMICAL CONTENT NOTICE!

The solder used in the production of this product contains LEAD. In addition, other electrical/electronic and/or plastic (where applicable) components may also contain traces of chemicals found by the California Health and Welfare Agency (and possibly other entities) to cause cancer and/or birth defects or other reproductive harm.

DO NOT PLACE SOLDER, ELECTRICAL/ELECTRONIC OR PLASTIC COMPONENTS IN YOUR MOUTH FOR ANY REASON WHAT SO EVER!

Avoid prolonged, unprotected contact between solder and your skin! When soldering, do not inhale solder fumes or expose eyes to solder/flux vapor!

If you come in contact with solder or components located inside the enclosure of this product, wash your hands before handling food.

SPECIFICATIONS

Electrical characteristics

Frequency characteristics	20Hz~20kHz (Fs=48kHz during analog input)
S/N	110dB (Typical, during analog input and emphasis on)
Distortion rate	0.03% (1kHz, +4dBm)

Input section

No. of channels	2 channels
Input level	+4dBm (nominal) +24dBm (maximum)
Impedance	20k Ω (during balance input)

Output section

No. of channels	8 channels (4 channels x 2)
Output level	+4dBm (nominal) +24dBm (maximum)
Impedance	150 Ω (during balance output)

A/D and D/A conversion

Sampling frequency	48kHz (during analog input)
A/D conversion	19 bit
D/A conversion	20 bit
Memory	15 memory (1~F)

Digital input section

AES/EBU	AES/EBU format
Y2	YAMAHA LSI format (MEL2)

RS-485

Memory recall
Parameter control
Memory parameter transmission and reception
System setup data transmission and reception

Front panel

Control
Key
Output level x 8 (sliders)
STORE (ENTER), MEMORY Δ , MEMORY ∇ , RECALL, CURSOR \blacktriangleleft , CURSOR \blacktriangleright , PARAMETER Δ , PARAMETER ∇ , FADER LINK, UTILITY, L, R, PEQ/D.ATT (1-4), LIMIT/COMP (1-4), DELAY/POLARITY (1-4), FILTER (1-4), MUTE (1L-4R)
Display
16-character x 2-line LCD unit
7-segment LED (memory number)
8-element LED (mode indicator)
8-element LED x 2 (input level meter)
LED x 8 (output clip, indicator)

Rear panel

Connector
INPUT x 2 (XLR type connector)
OUTPUT x 8 (XLR type connector)
AES/EBU (XLR type connector)
Y2 (8P-DIN)
RS-485 x 2 (XLR type connector)
Switch
Protect switch (OFF/MEMORY/KEY)
Output level switch
(+4dB/-6dB)

Power supply

U.S. & Canadian Models	120V AC, 60 Hz
British Model	240V AC, 50 Hz
General Model	230V AC, 50 Hz

Power consumption

U.S. & Canadian Models	60 W
British Model	60 W
General Model	60 W

Dimension (WxHxD) 480 mm x 101 mm x 389.6 mm
(18-7/8" x 4" x 15-3/8")

Weight 8.5 kg (18.7 lbs)

Parameter list

PEQ/D.ATT

PEQ1	OFF/ON	OFF/ON
	Frequency	20Hz~16kHz(1/6 Oct)
	Gain	-18dB~+18dB(1dB Step)
	Q	LSH, 0.5~10(Log. step)
PEQ2	OFF/ON	OFF/ON
	Frequency	20Hz~16kHz(1/6 Oct)
	Gain	-18dB~+18dB(1dB Step)
	Q	LSH, 0.5~10(Log. step)
D.ATTENUATOR		-18.0dB~+6.0dB(0.5dB Step)

LIMIT/COMP

	OFF/ON	OFF/ON
	THRESHOLD	0dB~+20dB(1dB Step)
	RATIO	1:1~∞:1
	ATTACK TIME	1.0ms~20ms
	RELEASE TIME	0.01s~5.0s

DELAY/POLARITY

Channel Delay Time	0.0~1365.3ms(Fs=48kHz)
	0.0~1486.1ms(Fs=44.1kHz)
Offset Delay Time	0.0~1365.3ms(Fs=48kHz)
	0.0~1486.1ms(Fs=44.1kHz)
Polarity	NORMAL/REVERSE

1365.3ms (Fs=48kHz) and 1486.1ms (Fs=44.1kHz) are the upper limit value of the values to which Channel Delay Time and Offset Delay Time are added to.

FILTER

HPF	Frequency	20Hz~16kHz
	Slope	-24, -18, -12, -6, THRU
	Gain at Cut off Point	-6, -5, -4, -3
LPF	Frequency	20Hz~16kHz
	Slope	-24, -18, -12, -6, THRU
	Gain at Cut off Point	-6, -5, -4, -3

ANALOG INPUT (L, R) • XLR-3-31 TYPE
ANALOG OUTPUT L,R (1~4) • XLR-32 TYPE

Pin Assignment	Signal name
1	Grand
2	Hot
3	Cold

RS-485 • XLR-3-31 TYPE, XLR-3-32 TYPE

Pin Assignment	Signal name
1	Grand
2	Tx+/Rx+
3	Tx-/Rx-

■ 総合仕様

電气的性能	
周波数特性	20Hz~20kHz (アナログ入力時、Fs = 48kHz)
S/N	110dB(Typical、アナログ入力時、エンファシス・オン時)
歪率	0.03%(1kHz、+4dBm)
入力部	
チャンネル数	2チャンネル
入力レベル	+4dBm(nominal) +24dBm(maximum)
インピーダンス	20k Ω (バランス入力時)
出力部	
チャンネル数	8チャンネル(4チャンネル \times 2)
出力レベル	+4dBm(nominal) +24dBm(maximum)
インピーダンス	150 Ω (バランス出力時)
A/D、D/A変換	
サンプリング周波数	48kHz(アナログ入力時)
A/D変換	19ビット
D/A変換	20ビット
メモリー	
	15メモリー(1~F)
デジタル入力部	
AES/EBU	AES/EBUフォーマット
Y2	YAMAHA LSIフォーマット(MEL2)

RS-485	
	メモリーリコール パラメーターコントロール メモリーパラメーター送受信 システムセットアップデータ送受信
フロントパネル	
コントロール	アウトプットレベル \times 8(電動ボリューム)
キー	STORE(ENTER)、MEMORY Δ 、 MEMORY ∇ 、RECALL、 CURSOR \blacktriangleleft 、CURSOR \blacktriangleright 、 PARAMETER Δ 、PARAMETER ∇ 、 FADER LINK、UTILITY、L、R、 PEQ/D.ATT(1-4)、LIMIT/COMP(1-4)、 DELAY/POLARITY(1-4)、FILTER(1-4)、 MUTE(1L-4R)
表示	16文字 \times 2行LCDユニット 7セグメントLED(メモリー・ナンバー) 8素子LED(モード・インジケーター) 8素子LED \times 2(入力レベル・メーター) LED \times 8(出力クリップ・インジケーター)
リアパネル	
コネクター	INPUT \times 2(XLRタイプ・コネクター) OUTPUT \times 8(XLRタイプ・コネクター) AES/EBU(XLRタイプ・コネクター) Y2(8P-DIN) RS-485 \times 2(XLRタイプ・コネクター)
スイッチ	プロテクトスイッチ(OFF/MEMORY/ KEY) アウトプット・レベル・スイッチ (+4dB/-6dB)
電源、消費電力	
	AC100V 50/60Hz、50W
寸法、重量	
	480(W) \times 101(H) \times 389.6(D)mm 8.5Kg

パラメーター一覧表

P.EQ/D.ATT		
PEQ■	OFF/ON	OFF/ON
	Frequency	20Hz~16kHz(1/6 Oct)
	Gain	-18dB~+18dB(1dB Step)
	Q	LSH、0.5~10(Log. step)
PEQ■	OFF/ON	OFF/ON
	Frequency	20Hz~16kHz(1/6 Oct)
	Gain	-18dB~+18dB(1dB Step)
	Q	LSH、0.5~10(Log. step)
D.ATTENUATOR		-18.0dB~+6.0dB(0.5dB Step)
LIMIT/COMP		
	OFF/ON	OFF/ON
	THRESHOLD	0dB~+20dB(1dB Step)
	RATIO	1:1~∞:1
	ATTACK TIME	1.0ms~20ms
	RELEASE TIME	0.01s~5.0s
DELAY/POLARITY		
	Channel Delay Time	0.0~1365.3ms(Fs=48kHz)
		0.0~1486.1ms(Fs=44.1kHz)
	Offset Delay Time	0.0~1365.3ms(Fs=48kHz)
		0.0~1486.1ms(Fs=44.1kHz)
Polarity	NORMAL/REVERSE	
FILTER		
HPF	Frequency	20Hz~16kHz
	SLope	-24、-18、-12、-6、THRU
	Gain at Cut off Point	-6、-5、-4、-3
LPF	Frequency	20Hz~16kHz
	SLope	-24、-18、-12、-6、THRU
	Gain at Cut off Point	-6、-5、-4、-3

●コネクターピンアサイン

ANALOG INPUT (L,R)・XLR-3-31タイプ

ANALOG OUTPUT L,R (1~4)・XLR-32タイプ

Pin Assignment	Signal name
1	Grand
2	Hot
3	Cold

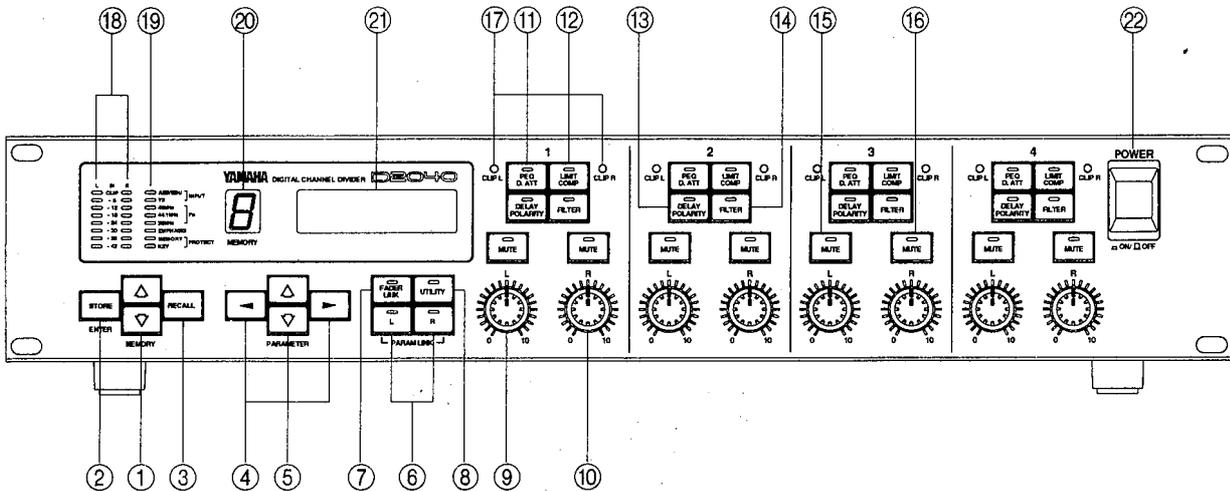
RS-485・XLR-3-31タイプ, XLR-3-32タイプ

Pin Assignment	Signal name
1	Grand
2	Tx+/Rx+
3	Tx-/Rx-

1365.3ms (Fs=48kHz)および1486.1ms (Fs=44.1kHz)は、Channel Delay TimeとOffset Delay Timeを加えた値の上限値です。

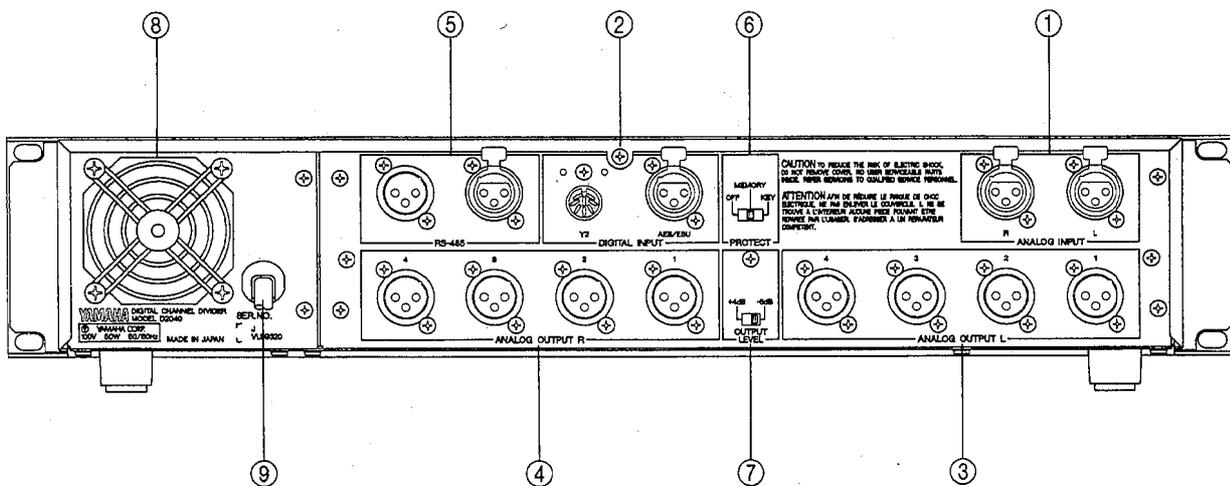
PANEL LAYOUT (パネルレイアウト)

● Front Panel (フロントパネル)



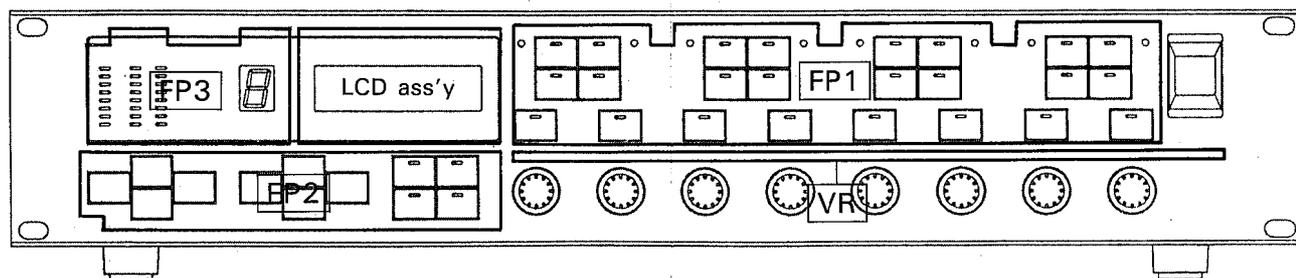
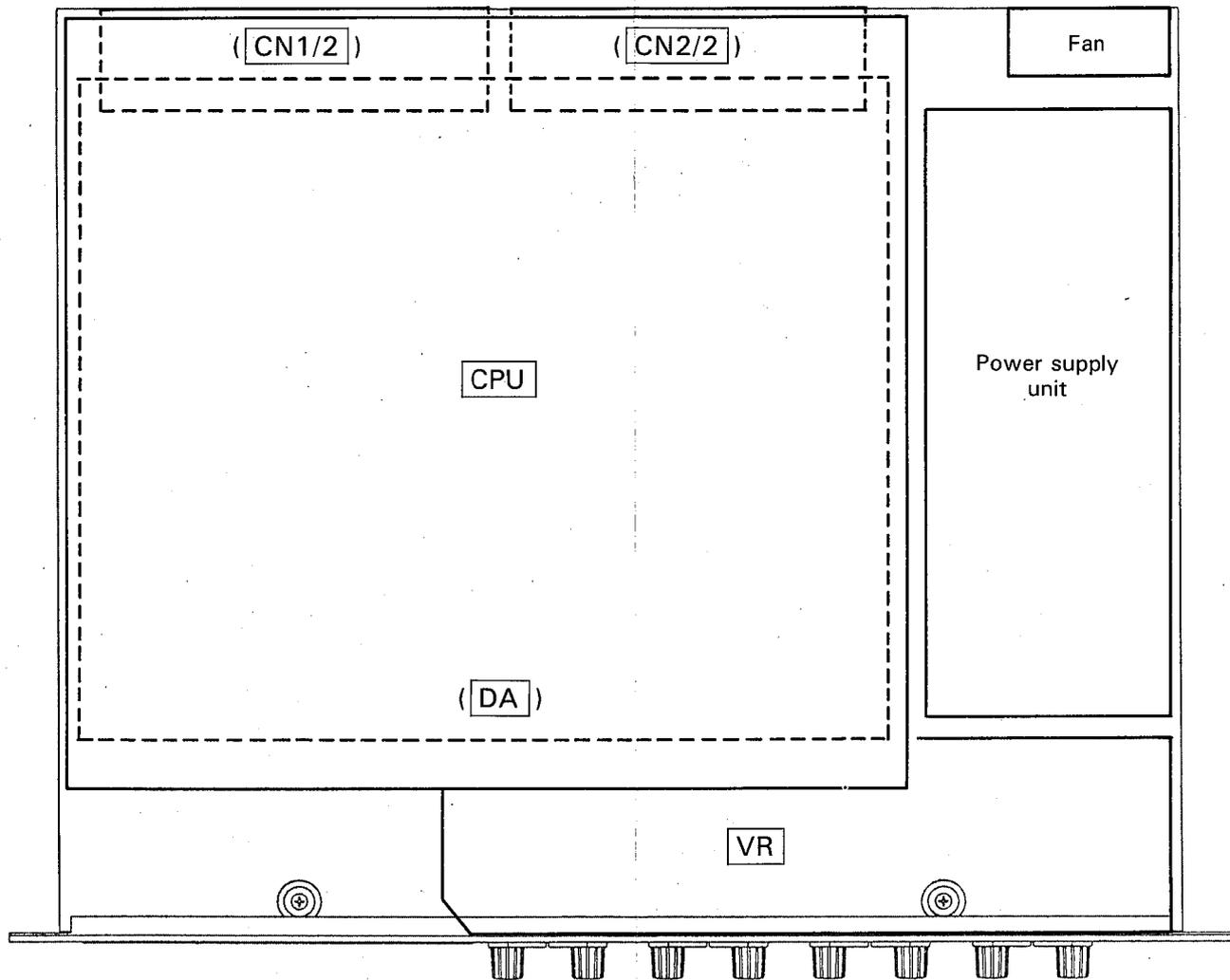
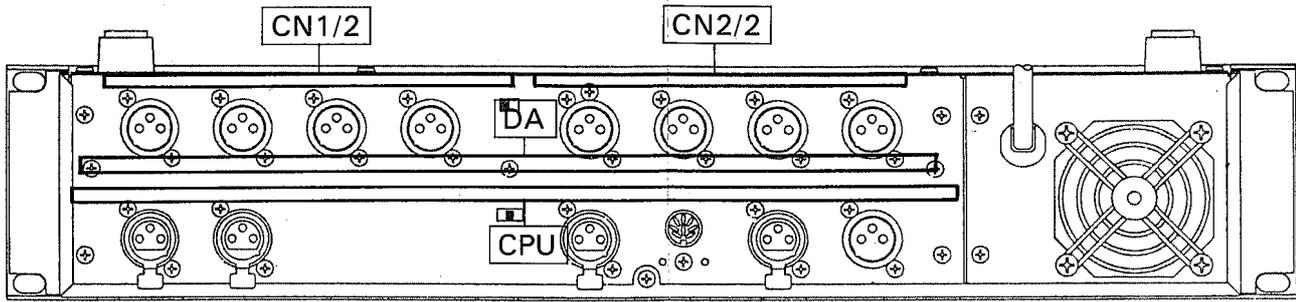
- | | |
|--|---------------------------------------|
| ① Memory Up/Down Keys (for memory selection) | ⑫ LIMIT/COMP (limiter/compressor) Key |
| ② STORE/ENTER Key | ⑬ DELAY/POLARITY Key |
| ③ RECALL Key | ⑭ FILTER Key |
| ④ Parameter Left/Right (Cursor) Keys | ⑮ MUTE L Keys |
| ⑤ Parameter Up/Down Keys (for parameter setting) | ⑯ MUTE R Keys |
| ⑥ L/R Keys (for left/right channel side selection) | ⑰ CLIP Indicators L and R |
| ⑦ FADER LINK Key | ⑱ Input Signal Level Meter |
| ⑧ UTILITY Key | ⑳ Memory Number LED (7 segment) |
| ⑨ L Output Controls | ㉑ LCD Screen |
| ⑩ R Output Controls | ㉒ Power Switch |

● Rear Panel (リアパネル)



- | | |
|------------------------------|---|
| ① ANALOG INPUT Connectors | ⑥ PROTECT Switch (for memory protection) |
| ② DIGITAL INPUT Connectors | ⑦ OUTPUT LEVEL (output signal nominal level) Switch |
| ③ ANALOG OUTPUT L Connectors | ⑧ Fan |
| ④ ANALOG OUTPUT R Connectors | ⑨ Power Cord |
| ⑤ RS-485 Port Connectors | |

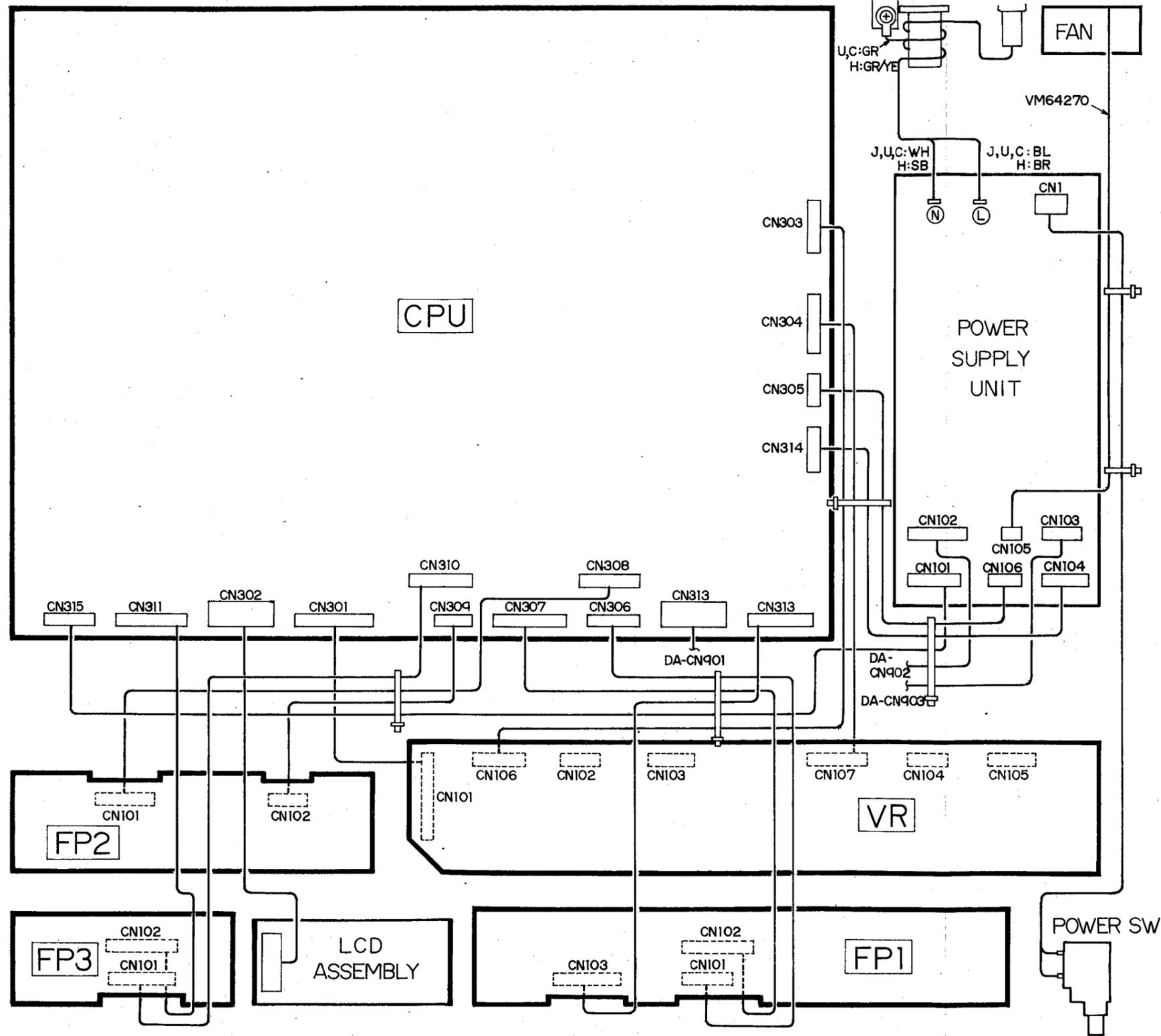
CIRCUIT BOARD LAYOUT (ユニットレイアウト)



D2040

■ WIRING (基板結線図)

● Top View (上面より)



● CPU

Connector no.	Destination	Part no.
CN301	VR-CN101	VM65590
CN302	LCD ass'y	VM65430
CN303	VR-CN106	VM65630
CN304	VR-CN107	VM65530
CN305	P.S.-CN106	VM65600
CN306	FP1-CN101	VM65510
CN307	FP1-CN102	VM65580
CN308	FP2-CN101	VM65540
CN309	FP2-CN102	VM65490
CN310	FP3-CN101	VM65560
CN311	FP3-CN102	VM65570
CN312	FP1-CN103	VM65550
CN313	DA-CN901	VM65410
CN314	P.S.-CN104	VM65620
CN315	P.S.-CN101	VM65630

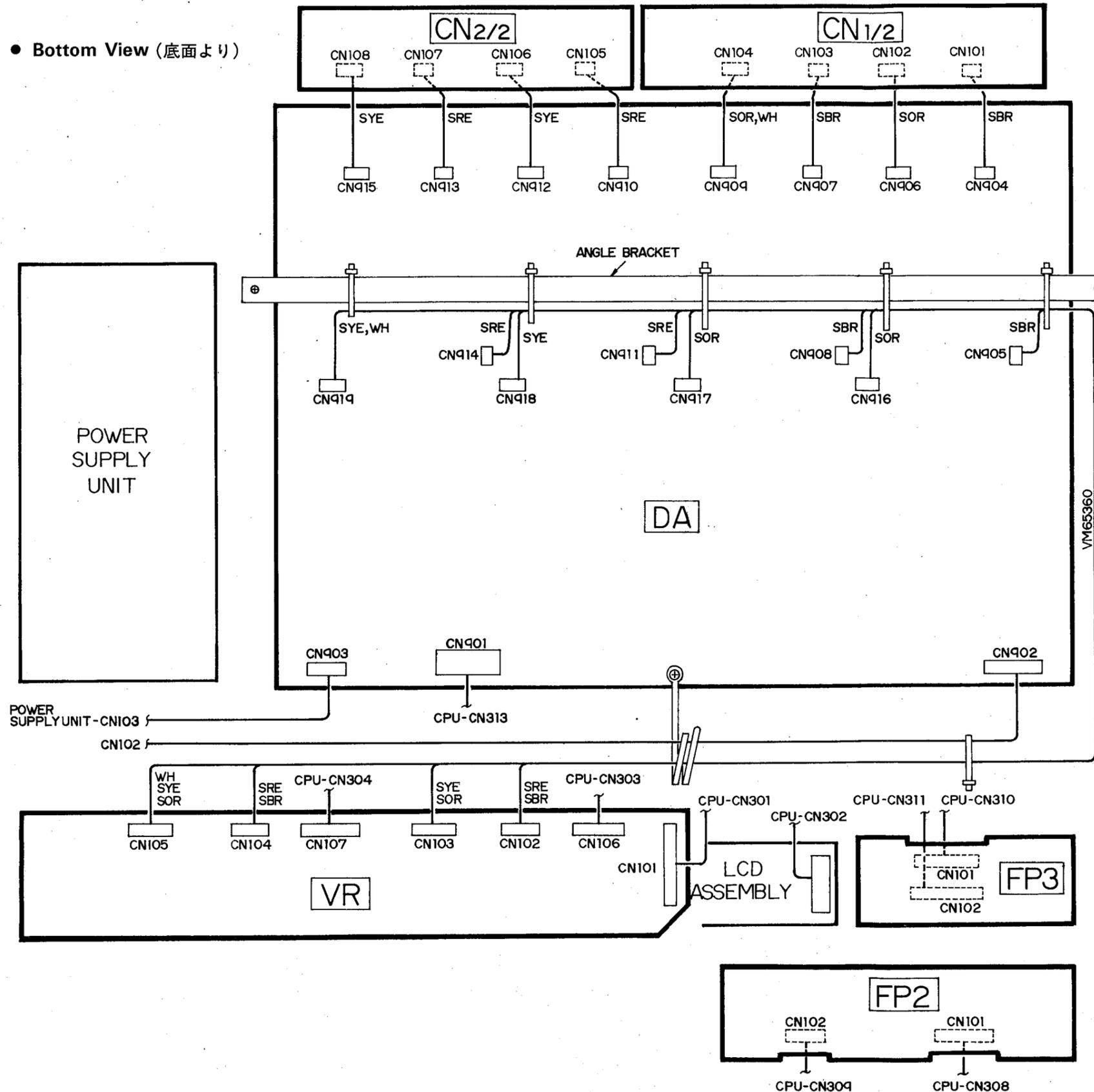
● POWER SUPPLY UNIT (P.S.)

Connector no.	Destination	Part no.
CN102	DA-CN902	VM65640
CN103	DA-CN903	VM65610

* Connector assemblies listed above are not prepared as service parts.

(上表中の束線は、サービス部品としては登録されていません。)

● Bottom View (底面より)



● DA

Connector no.	Destination	Part no.
CN901	CPU-CN313	VM65410
CN902	P.S.-CN102	VM65640
CN903	P.S.-CN103	VM65610
CN904	CN1/2-CN101	VM65310
CN906	CN1/2-CN102	VM65330
CN907	CN1/2-CN103	VM65310
CN909	CN1/2-CN104	VM65350
CN910	CN2/2-CN105	VM65320
CN912	CN2/2-CN106	VM65340
CN913	CN2/2-CN107	VM65320
CN915	CN2/2-CN108	VM65340

● VR

Connector no.	Destination	Part no.
CN101	CPU-CN301	VM65590
CN106	CPU-CN303	VM65630
CN107	CPU-CN304	VM65530

● FP2

Connector no.	Destination	Part no.
CN101	CPU-CN308	VM65540
CN102	CPU-CN309	VM65490

● FP3

Connector no.	Destination	Part no.
CN101	CPU-CN310	VM65560
CN102	CPU-CN311	VM65570

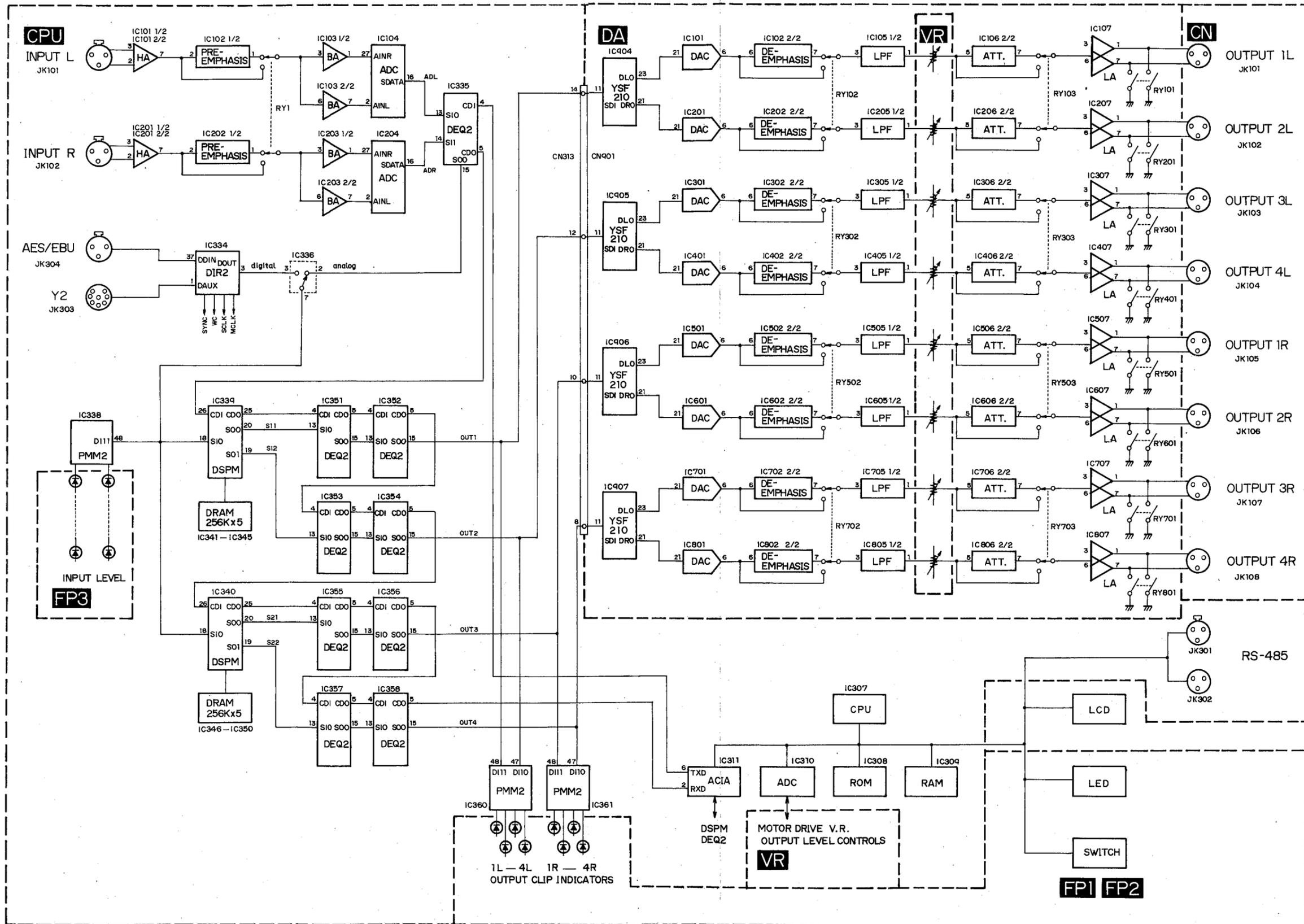
● LCD ASSEMBLY

Connector no.	Destination	Part no.
—	CPU-CN302	VM65430

* Connector assemblies listed above are not prepared as service parts.

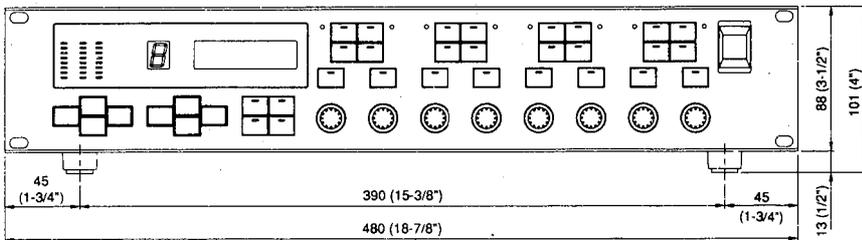
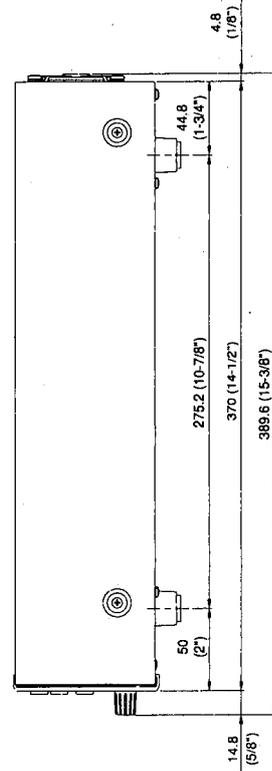
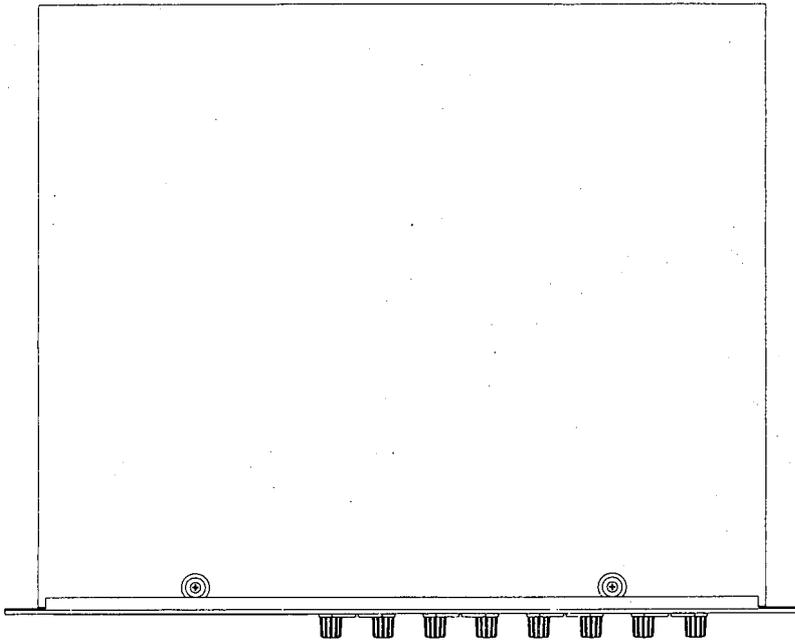
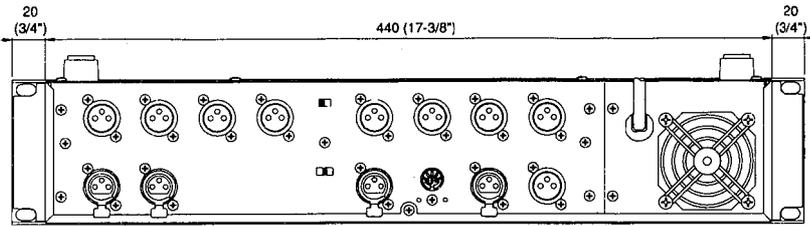
(上表中の束線は、サービス部品としては登録されていません。)

■ BLOCK DIAGRAM (ブロックダイアグラム)



D2040

DIMENSIONS (寸法図)



Unit: mm
(単位)

D2040

■ DISASSEMBLY PROCEDURE (分解手順)

1. Top Cover Removal

1-1. Remove the seven (7) screws marked as (350) in the figure, then the top cover can be removed. (Fig. 1)

2. Bottom Cover Removal

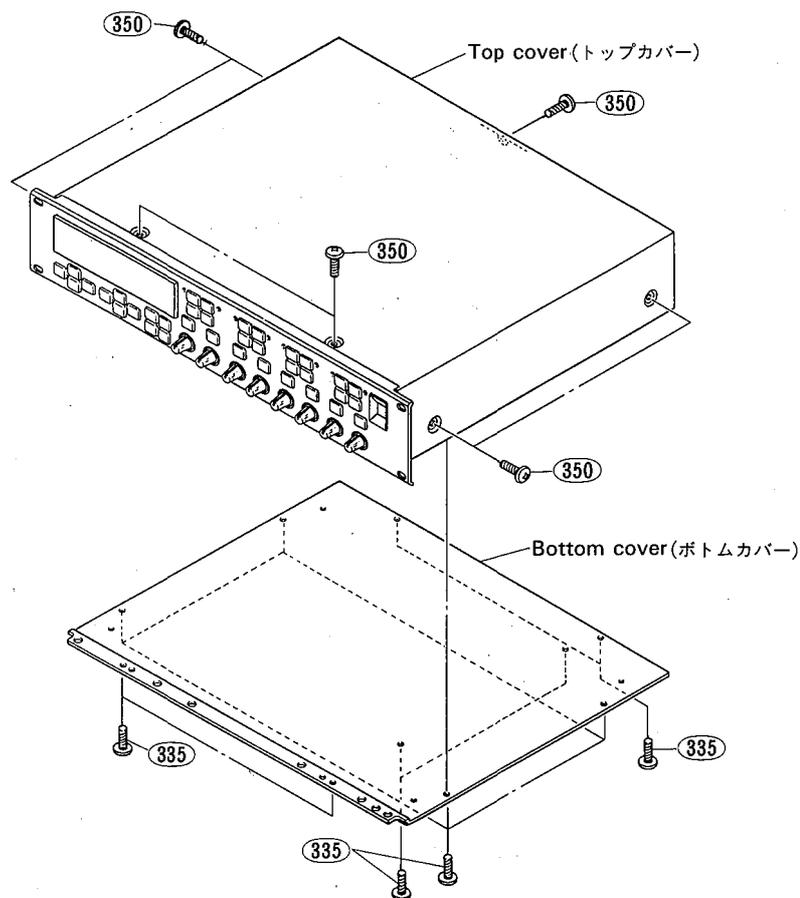
2-1. Place the unit upside down on the bench, then remove the ten (10) screws marked (335), then the bottom cover can be removed. (Fig. 1)

1. トップカバーの外し方

1-1 (350) のネジ7本を外し、トップカバーを外します。
(図1)

2. ボトムカバーの外し方

2-1 本体を逆さにして作業台の上に置き、(335) のネジ10本を外してボトムカバーを取り外します。(図1)

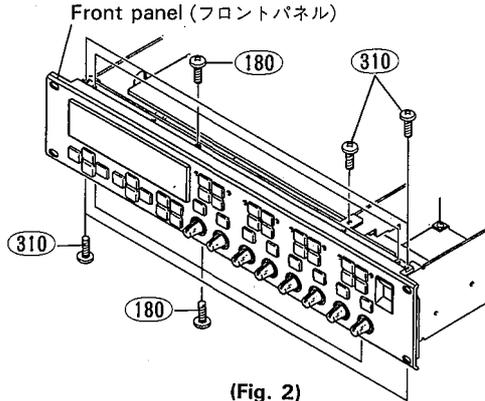


(335): Bind Head Tapping Screw-B(+バインドBタイト)A3.0X8 FCM3BL
(350): Bind Head Tapping Screw-B(+バインドBタイト)A3.0X8 FCM3BL

(Fig. 1)

3. Front Panel Removal

- 3-1. Remove the top cover. (see procedure 1)
- 3-2. Remove the bottom cover. (see procedure 2)
- 3-3. There are five (5) screws marked (310) retaining the front panel assembly, three (3) on the upper side, two (2) on the under side. To remove the front panel assembly, remove these screws. (Fig. 2)
- 3-4. Remove the six (6) screws marked (180), then the front panel can be removed. (Fig. 2)



3. フロントパネルの外し方

- 3-1 トップカバーを外します。(1項参照)
- 3-2 ボトムカバーを外します。(2項参照)
- 3-3 (310)のネジ5本を外し、フロントパネルAss'yを外します。(310)のネジは、上側に3本と下側に2本あります。(図2)
- 3-4 (180)のネジ6本を外し、フロントパネルを外します。(図2)

(180) : Bind Head Tapping Screw-B(+バインドBタイト)A3.0X8 FCM3BL
 (310) : Bind Head Tapping Screw-B(+バインドBタイト)A3.0X8 FCM3BL

4. CN1/2 Circuit Board Removal

- 4-1. Remove the bottom cover. (see procedure 2)
- 4-2. Remove the eight (8) screws marked (150a), then the CN1/2 circuit board can be removed. (Fig. 3 and Fig. 5)

4. CN1/2シートの外し方(OUTPUT L)

- 4-1 ボトムカバーを外します。(2項参照)
- 4-2 (150a)のネジ8本を外し、CN1/2シートを外します。(図3, 図5)

5. CN2/2 Circuit Board Removal

- 5-1. Remove the bottom cover. (see procedure 2)
- 5-2. Remove the eight (8) screws marked (150b), then the CN2/2 circuit board can be removed. (Fig. 3 and Fig. 5)

5. CN2/2シートの外し方(OUTPUT R)

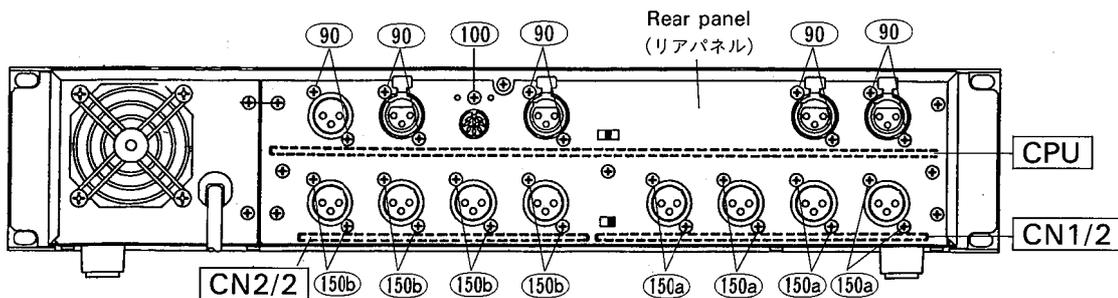
- 5-1 ボトムカバーを外します。(2項参照)
- 5-2 (150b)のネジ8本を外し、CN2/2シートを外します。(図3, 図5)

6. CPU Circuit Board Removal

- 6-1. Remove the top cover. (see procedure 1)
- 6-2. Remove the ten (10) screws marked (90) and the screw marked (100). (Fig. 3)
- 6-3. After the four (4) screws marked (70) have been removed, then the CPU circuit board can be removed. (Fig. 4)

6. CPUシートの外し方

- 6-1 トップカバーを外します。(1項参照)
- 6-2 (90)のネジ10本と(100)のネジ1本を外します。(図3)
- 6-3 (70)のネジ4本を外し、CPUシートを外します。(図4)



(90) : Bonding Head Screw(ボンディング小ネジ)3.0X8 FCM3BL
 (100) : Bind Head Tapping Screw-P(+バインドPタイト)A3.0X10 FCM3BL
 (150) : Bonding Head Screw (ボンディング小ネジ)3.0X8 FCM3BL

7. Power Supply Unit Removal

- 7-1. Remove the top cover. (see procedure 1)
- 7-2. Remove the three (3) screws marked (280) on the right side panel, then the power supply unit can be removed. (Fig. 4)

7. 電源ユニットの外し方

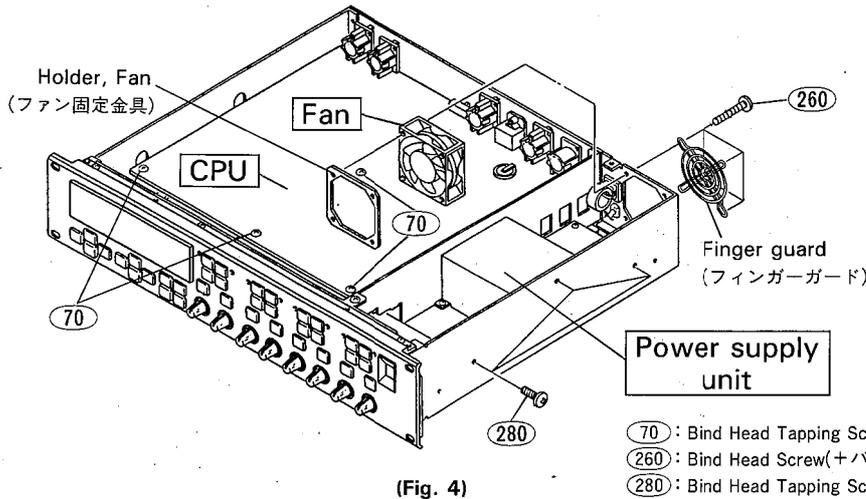
- 7-1 トップカバーを外します。(1項参照)
- 7-2 右サイドパネルにある(280)のネジ3本を外し、電源ユニットを外します。(図4)

8. Fan Removal

- 8-1. Remove the top cover. (see procedure 1)
- 8-2. Remove the four (4) screws marked (260), then remove the fan with the finger guard. (Fig. 4)

8. ファンの外し方

- 8-1 トップカバーを外します。(1項参照)
- 8-2 (260)のネジ4本を外し、フィンガーガードとファン固定金具と共にファンを外します。(図4)



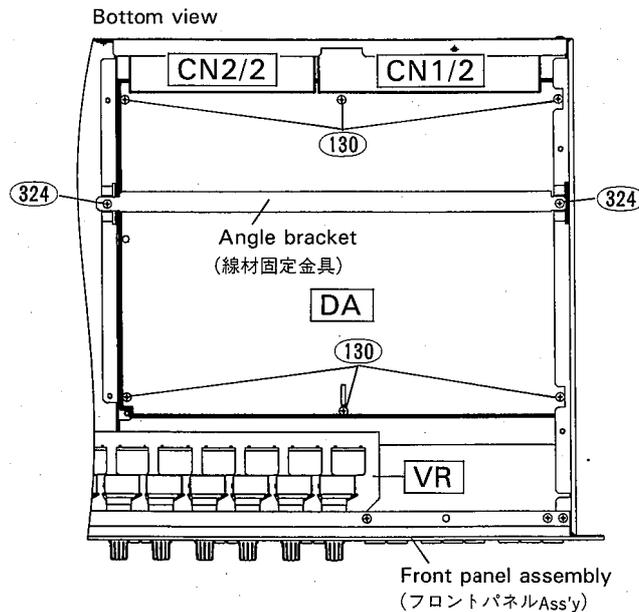
(Fig. 4)

9. DA Circuit Board Removal

- 9-1. Remove the bottom cover. (see procedure 2)
- 9-2. To remove the angle bracket, remove the two (2) screws marked (324). (Fig. 5)
- 9-3. Remove the six (6) screws marked (130), then the DA circuit board can be removed. (Fig. 5)

9. DAシートの外し方

- 9-1 ボトムカバーを外します。(2項参照)
- 9-2 (324)のネジ2本を外し、線材固定金具を外します。(図5)
- 9-3 (130)のネジ6本を外し、コネクタを抜いてDAシートを外します。(図5)



(Fig. 5)

(130) Bind Head Tapping Screw-C(+バインドCタイト)A3.0X6 FCM3BL
 (324) Bind Head Tapping Screw-B(+バインドBタイト)A3.0X6 FCM3BL

10. VR Circuit Board Removal

- 10-1. Remove the top cover. (see procedure 1)
- 10-2. Remove the bottom cover. (see procedure 2)
- 10-3. Remove the front panel. (see procedure 3)
- 10-4. Pull off the eight (8) level control knobs marked (170). (Fig. 6)
- 10-5. Loosen the eight (8) hexagonal nuts marked (110), then remove the VR circuit board. (Fig. 6)

11. FP1 Circuit Board Removal

- 11-1. Remove the top cover. (see procedure 1)
- 11-2. Remove the bottom cover. (see procedure 2)
- 11-3. Remove the front panel. (see procedure 3)
- 11-4. Remove the four (4) screws marked (85), then the FP1 circuit board can be removed. (Fig. 6)

12. FP2 Circuit Board Removal

- 12-1. Remove the top cover. (see procedure 1)
- 12-2. Remove the bottom cover. (see procedure 2)
- 12-3. Remove the front panel assembly. (see procedure 3-3)
- 12-4. Remove the two (2) screws marked (92), then the FP2 circuit board can be removed. (Fig. 6)

13. FP3 Circuit Board Removal

- 13-1. Remove the top cover. (see procedure 1)
- 13-2. Remove the bottom cover. (see procedure 2)
- 13-3. Remove the front panel assembly. (see procedure 3-3)
- 13-4. Remove the two (2) screws marked (97), then the FP3 circuit board can be removed. (Fig. 6)

14. LCD Assembly

- 14-1. Remove the top cover. (see procedure 1)
- 14-2. Remove the bottom cover. (see procedure 2)
- 14-3. Remove the front panel assembly. (see procedure 3-3)
- 14-4. Remove the two (2) screws marked (70), then the LCD assembly can be removed. (Fig. 6)

10. VRシートの外し方

- 10-1 トップカバーを外します。(1項参照)
- 10-2 ボトムカバーを外します。(2項参照)
- 10-3 フロントパネルを外します。(3項参照)
- 10-4 (170) のツマミ 8 個を外します。(図 6)
- 10-5 (110) の特殊六角ナット 8 個を外し、VRシートを外します。(図 6)

11. FP1シートの外し方

- 11-1 トップカバーを外します。(1項参照)
- 11-2 ボトムカバーを外します。(2項参照)
- 11-3 フロントパネルを外します。(3項参照)
- 11-4 (85) のネジ 4 本を外し、FP1シートを外します。(図 6)

12. FP2シートの外し方

- 12-1 トップカバーを外します。(1項参照)
- 12-2 ボトムカバーを外します。(2項参照)
- 12-3 フロントパネルAss'yを外します。(3-3項参照)
- 12-4 (92) のネジ 2 本を外し、FP2シートを外します。(図 6)

13. FP3シートの外し方

- 13-1 トップカバーを外します。(1項参照)
- 13-2 ボトムカバーを外します。(2項参照)
- 13-3 フロントパネルAss'yを外します。(3-3項参照)
- 13-4 (97) のネジ 2 本を外し、FP3シートを外します。(図 6)

14. LCD Ass'yの外し方

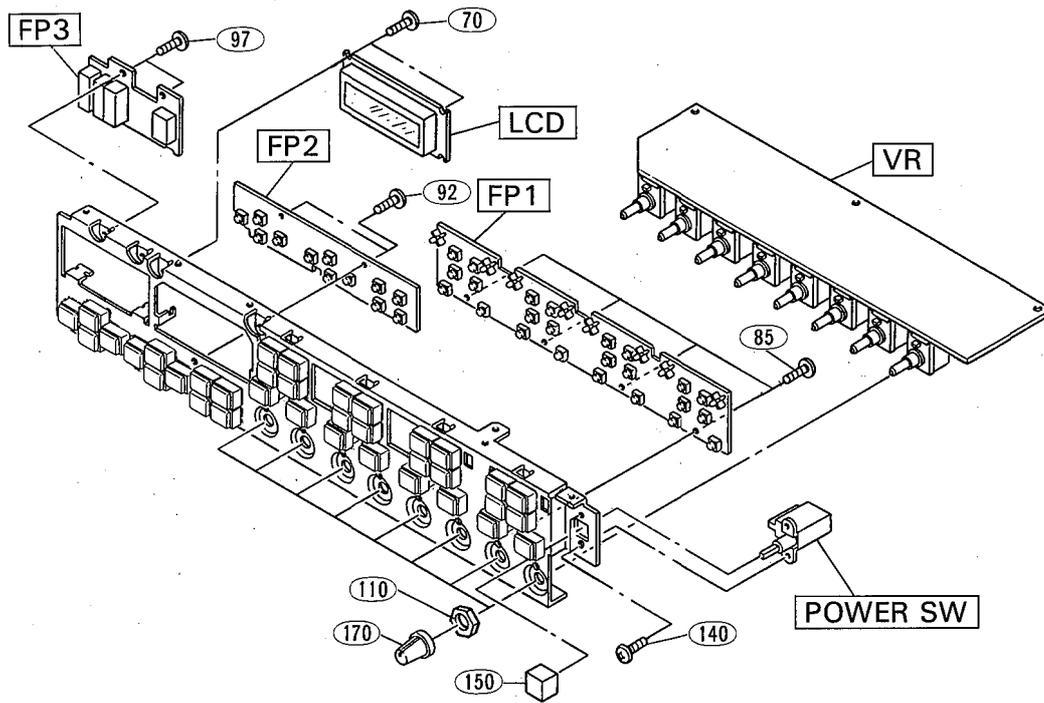
- 14-1 トップカバーを外します。(1項参照)
- 14-2 ボトムカバーを外します。(2項参照)
- 14-3 フロントパネルAss'yを外します。(3-3項参照)
- 14-4 (70) のネジ 2 本を外し、LCD Ass'yを外します。(図 6)

15. Power Switch Removal

- 15-1. Remove the top cover. (see procedure 1)
- 15-2. Remove the bottom cover. (see procedure 2)
- 15-3. Remove the front panel. (see procedure 3)
- 15-4. Pull off the power switch knob marked (150) (Fig. 6)
- 15-5. After the two (2) screws marked (140) have been removed, then the power switch can be removed. (Fig. 6)

15. パワースイッチの外し方

- 15-1 トップカバーを外します。(1項参照)
- 15-2 ボトムカバーを外します。(2項参照)
- 15-3 フロントパネルを外します。(3項参照)
- 15-4 (150) のパワースイッチつまみを外します。(図6)
- 15-5 (140) のネジ2本を外し、パワースイッチを外します。(図6)



(70) : Bind Head Screw (+バインド小ネジ)2.6X5 FCM3BL

(85) : Bind Head Tapping Screw-C(+バインドCタイト)A3.0X6 FCM3BL

(92) : Bind Head Tapping Screw-C(+バインドCタイト)A3.0X6 FCM3BL

(97) : Bind Head Tapping Screw-C(+バインドCタイト)A3.0X6 FCM3BL

(110) : Hexagonal Nut(特殊六角ナット)M9.0 FCM3BL

(140) : Bind Head Screw(+バインド小ネジ)A3.0X8 FCM3BL

(Fig. 6)

■ LSI PIN DESCRIPTION (LSI端子機能表)

• HD63B03YP-N (XD245A00) CPU

PIN NO.	NAME	I/O	FUNCTION	PIN NO.	NAME	I/O	FUNCTION
1	Vss	I	Ground	33	Vcc	O	DC Supply (+5V)
2	XTAL	I	Clock	34	A15	O	Address bus
3	EXTAL	I					
4	MP0	I	Mode program	35	A14	O	
5	MP1	I					
6	RES	I	Reset	36	A13	O	
7	STBY	I	Stand-by mode signal	37	A12	O	
8	NMI	I	Non-maskable interrupt	38	A11	O	
9	P20	I/O	Port 2	39	A10	O	
10	P21	I/O					
11	P22	I/O					
12	P23	I/O					
13	P24	I/O					
14	P25	I/O					
15	P26	I/O					
16	P27	I/O					
17	P50	I/O	Port 5	40	A9	O	
18	P51	I/O					
19	P52	I/O					
20	P53	I/O					
21	P54	I/O					
22	P55	I/O					
23	P56	I/O					
24	P57	I/O					
25	P60	I/O	Port 6	41	A8	O	
26	P61	I/O					
27	P62	I/O					
28	P63	I/O					
29	P64	I/O					
30	P65	I/O					
31	P66	I/O					
32	P67	I/O					
				42	Vss	O	Ground
				43	A7	O	Address bus
				44	A6	O	
				45	A5	O	
				46	A4	O	
				47	A3	O	
				48	A2	O	
				49	A1	O	Data bus
				50	A0	O	
				51	D7	I/O	
				52	D6	I/O	
				53	D5	I/O	
				54	D4	I/O	
				55	D3	I/O	
				56	D2	I/O	
				57	D1	I/O	
				58	D0	I/O	
				59	BA	O	Bus available
				60	LIR	O	Load instruction register
				61	R/W	O	Read/Write control
				62	WR	O	Write control
				63	RD	O	Read control
				64	E	O	Enable

• HD63B50P (IG147300) ACIA (Asynchronous Communications Interface Adaptor)

Pin No.	Name	I/O	Function	Pin No.	Name	I/O	Function
1	Vss	I	Ground	13	R/W	I	Read/Write Enable
2	Rx Data	I	Receive data	14	E	I	Data bus
3	Rx CLK	I	Receive clock	15	D7	I/O	
4	Tx CLK	O	Transmit clock	16	D6	I/O	
5	RTS	I/O	Request to send	17	D5	I/O	
6	Tx Data	O	Transmit data	18	D4	I/O	
7	IRQ	I	Interrupt request	19	D3	I/O	
8	CS0	I	Chip select	20	D2	I/O	
9	CS2	I					
10	CS1	I					
11	RS	I	Resist select	21	D1	I/O	
12	Vcc	I	Power supply (+5V)	22	D0	I/O	
				23	DCD	I	Data carrier detect
				24	CTS	I	Clear to send

• YM6104 (XE788A00) DEQ2 (Digital Equalizer)

Pin No.	Name	I/O	Function	Pin No.	Name	I/O	Function
1	VDD	I	+5V	12	Vss	I	Earth (Ground)
2	XMD	I	Alteration of Sync. (=+5V) or Asynch. (=0V) for CDI input terminal (Synch: 1:1), Asynch: 16:1)	13, 14	SI0, SI1	I	INPUT for Serial data signal
				15, 16	SO0, SO1	O	OUTPUT for Serial data signal
3	CRS	I	Initialized Serial Control Interface	17	OVF	O	Detector for OVER Flow
4	CDI	I	Inputs of μ PGM, Para, Ser. Cont. Data of Control Reg.	18	TEST	I	For test. Normally connecting to +5V
5	CDO	O	Outputs of μ PGM, Para, Ser Cont. Data of Control Reg.	19	C2	O	Output is delayed Data of 2nd bit of P. Reg. by 1 bit.
6	XCLK	I	In/Out clock for CDI & CDO	20	C1	O	Output is delayed Data of 1st bit of P. Reg. by 1 bit.
7	TRG	I	Determins transmit timing of PARA. to Para. Reg. from T BFR.	21	C0	O	Output is delayed Data of 0 bit of P. Reg. by 1 bit.
8	ESL	I	Timing determination of data for External at Ext. Shift CLK	22	CEMD	I	+5V: It's necessary to input 2 Byte for CE to CDI 0V: It needs not to have a data for CE to CDI
9	ELD	I	Timing determination of data for Inner at Ext. Shift CLK	23	IC	I	Initialized for DEQ
10	ECLK	I	Input Shift CLK of IN/OUT SR at Ext Shift CLK	24	Sync	I	Synchro. signal for system
11	CLK	I	System Clock				

D2040

• **YM3818 (XC354A00) DSPM (Digital Signal Processor)**

PIN NO.	NAME	I/O	FUNCTION	PIN NO.	NAME	I/O	FUNCTION
1	MDAT15	I/O	Data bus	33	V _{DD}		Power supply
2	MDAT14	I/O		34	MADR7	I	Address bus
3	MDAT13	I/O		35	MADR6	I	
4	MDAT12	I/O		36	MADR5	I	
5	MDAT11	I/O		37	MADR4	I	
6	MDAT10	I/O		38	MADR3	I	
7	MDAT9	I/O		39	MADR2	I	
8	MDAT8	I/O		40	MADR1	I	
9	MDAT7	I/O		41	MADRO	I	Test pin
10	MDAT6	I/O		42	TESTR	I	
11	MDAT5	I/O		43	TEST1	I	Synch pulse
12	MDAT4	I/O		44	SYNC	I	
13	MDAT3	I/O		45	CLK	I	
14	MDAT2	I/O		46	CE	I	Chip enable
15	MDAT1	I/O		47	IC	I	Initial clear
16	MDAT0	I/O		48	MOD7	I	Modulation data
17	SI1	I	49	MOD6	I		
18	SI0	I	50	MOD5	I		
19	SO1	O	51	MOD4	I		
20	SO0	O	52	MOD3	I		
21	XMD	I	53	MOD2	I		
22	XCLK	I	54	MOD1	I	Data bus	
23	TO	O	55	MOD0	I		
24	CRS	O	56	MDAT23	I/O		
25	CDO	O	57	MDAT22	I/O		
26	CDI	I	58	MDAT21	I/O		
27	TMI	O	59	MDAT20	I/O		
28	REF	O	60	MDAT19	I/O		
29	OE	O	61	MDAT18	I/O		
30	WE	O	62	MDAT17	I/O		
31	CAS	O	63	MDAT16	I/O		
32	RAS	O	64	V _{SS}		Ground	
							RAM control

• **YM3934 (XE798A00) PMM 2 (Peak Meter Module)**

Pin No.	NAME	I/O	FUNCTION	Pin No.	NAME	I/O	FUNCTION
1	NC		Meter data output	33	NC		Digital in data
2	NC			34	NC		
3	NC			35	NC		
4	DB11	O		36	D10	I	
5	DB10	O		37	D11	I	
6	DB9	O		38	D12	I	
7	DB8	O		39	D13	I	
8	DB7	O		40	D14	I	
9	DB6	O		41	D15	I	
10	NC			42	NC		
11	DB5	O		43	D16	I	
12	DB4	O		44	D17	I	
13	DB3	O		45	D18	I	
14	DB2	O		46	D19	I	
15	DB1	O		47	D110	I	
16	DB0	O		48	D111	I	
17	NC		49	NC		Falling and holding times are determined by these inputs.	
18	NC		50	NC			
19	NC		51	NC			
20	NC		52	NC			
21	OVD	I	Overflow data	53	HT1	I	
22	OMODE	I	Output mode control	54	HTO	I	
23	IMODE	I	Input mode control	55	FT1	I	
24	NC			56	FTO	I	
25	TST	I	Test pin	57	V _{SS}		Ground
26	V _{DD}		Power supply	58	V _{DD}		Power supply
27	V _{SS}		Ground	59	NC		Channel select
28	ICLK	I	System clock input	60	C3	O	
29	SYNC	I	Synch. pulse	61	C2	O	
30	RST	I	Initial reset	62	C1	O	
31	DIEN	I	Digital input enable	63	C0	O	
32	NC			64	NC		

D2040

• **AK5327-VP (XG898A00) ADC (Analog to Digital Converter)**

PIN NO.	NAME	I/O	FUNCTION	PIN NO.	NAME	I/O	FUNCTION
1	AGND	I	Analog ground	15	SCLK	I	Serial output data clock
2	AINL	I	Left channel analog input	16	SDATA	O	Serial data output
3	ZEROL	I	Zero level input for left channel	17	VD1+	I	Positive digital power supply
4	VA+	I	Positive analog power supply	18	VD2+	I	Positive digital power supply
5	VA-	I	Negative analog power supply	19	DGND	I	Digital ground
6	APD	I	Analog power down	20	DCLKA	I	Digital section input clock
7	ACAL	I	Analog calibrate	21	NC	I	No connection
8	NC	I	No connection	22	ACLKA	O	Analog section output clock
9	DCAL	O	Digital calibrate output	23	CLKIN	I	Master input clock
10	DPD	I	Digital power down	24	LGND	I	Logic ground
11	TST1	I	Test inputs	25	VL+	I	Positive logic power supply
12	TST2	I		26	ZEROR	I	Zero level input for right channel
13	TST3	I		27	AINR	I	Right channel analog input
14	L/R	I	Left/Right select	28	VREF	O	Voltage reference output

• **ADC0809CCN (XG740A00) ADC (Analog Digital Converter)**

PIN NO.	NAME	I/O	FUNCTION	PIN NO.	NAME	I/O	FUNCTION
1	IN4	I	Analog data in	15	D2	O	Digital data output
2	IN5	I		16	VREF-	O	Reference voltage (-)
3	IN6	I		17	D0	O	Digital data output
4	IN7	I		18	D4	O	
5	IN8	I		19	D5	O	
6	START	I	20	D6	O		
7	EOC	O	End of conversion data output	21	D7	O	Address latch enable data in
8	D3	O	Digital data output	22	ALE	I	
9	OE	I	Output enable data in	23	AD2	I	
10	CLK	I	Clock data in	24	AD1	I	Address data in
11	Vcc	I	Supply power (+5V)	25	AD0	I	
12	VREF+	I	Reference voltage (+)	26	IN1	I	Analog data in
13	GND	I	Supply power (0V)	27	IN2	I	
14	D1	O	Digital data output	28	IN3	I	

• **PCM63P-Y (XH987A00) DAC (Digital Analog Converter)**

PIN NO.	NAME	I/O	FUNCTION	PIN NO.	NAME	I/O	FUNCTION
1	CAP	I	Servo filter (SERVO DC)	15	NC	I	Not used
2	+VccA	I	Power supply (+)	16	NC	I	
3	CAP	I	Reference filter (REF DC)	17	NC	I	
4	CAP	I	BPO reference (BPO DC)	18	CK	I	Clock
5	BPO	I	Bipolar offset	19	NC	I	Not used
6	Iout	O	Current output	20	LE	I	LEC input
7	A.GND	I	Analog ground	21	DATA	I	Data input
8	NC	I	Not used	22	NC	I	Not used
9	RFB1	I	Feedback resistor	23	ADJB	I	Bit 2B adj.
10	RFB2	I		24	ADJA	I	Bit 2A adj.
11	-VccL	I	Power supply (-)	25	Vpot	I	Potentiometer connection
12	D.GND	I	Digital ground	26	NC	I	Not used
13	+VccL	I	Power supply (+)	27	NC	I	
14	NC	I	Not used	28	-VccA	I	Power supply

• YM3436BG (XG948C00) DIR2 (Digital Format Interface Receiver)

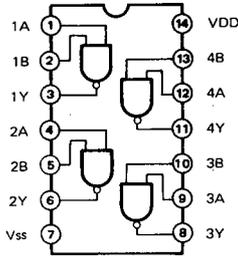
PIN NO.	NAME	I/O	FUNCTION	PIN NO.	NAME	I/O	FUNCTION
1	DAUX	I	Auxiliary input for audio data	26	PCO	O	PLL phase comparison output
2	HDLT	O	Asynchronous buffer operation flag	27	(NC)		
3	DOUT	O	Audio data output	28	CTLP	I	VCO control input P
4	VFL	O	Parity flag output	29	Vssa		VCO section power (GND)
5	OPT	O	F _s × 1 Synchronous output signal for DAC	30	TSTN	I	Test terminal. Open for normal use
6	SYNC	O	F _s × 1 Synchronous output signal for DSP	31	KM2	I	Clock mode switching input 2
7	MCC	O	F _s × 64 Bit clock output	32	KM0	I	Clock mode switching input 0
8	WC	O	F _s × 1 Word clock output	33	FS1	O	Channel status sampling frequency display output 1
9	MCB	O	F _s × 128 Bit clock output	34	FS0	O	Channel status sampling frequency display output 0
10	MCA	O	F _s × 256 Bit clock output	35	CSM	I	Channel status output method selection
11	SKSY	I	Clock synchronization control input	36	EXTW	I	External synchronous auxiliary input word clock
12	XI	I	Crystal oscillator connection or external clock input	37	DDIN	I	EIAJ (AES/EBU) data input
13	XO	O	Crystal oscillator connection	38	LR	O	PLL word clock output
14	P256	O	VCO oscillating clock connection	39	Vdd		Logic section power (+5V)
15	LOCK	O	PLL lock flag	40	ERR	O	Data error flag output
16	Vss		Logic section power (GND)	41	EMP	O	Channel status emphasis control code output
17	TC	O	PLL time constant switching output	42	CDO	O	3-wire type microcomputer interface data output
18	DIM1	I	Data input mode selection	43	CCK	I	3-wire type microcomputer interface clock input
19	DIM0	I	Data input mode selection	44	CLD	I	3-wire type microcomputer interface load input
20	DOM1	I	Data output mode selection				
21	DOM0	I	Data output mode selection				
22	KM1	I	Clock mode switching input 1				
23	RSTN	I	System reset input				
24	Vdda		VCO section power (+5V)				
25	CTLN	I	VCO control input N				

• YSF210 (XK280A00) Digital Filter

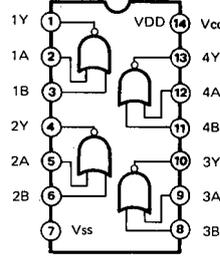
PIN NO.	NAME	I/O	FUNCTION	PIN NO.	NAME	I/O	FUNCTION																													
1	XO	O	System clock	13	OBIT1	I	Output bit selection																													
2	XI	I		14	OBIT2	I																														
3	Vss2		Ground				<table border="1"> <tr> <td></td> <td>22 bit</td> <td>20 bit</td> <td>18 bit</td> <td>no output</td> </tr> <tr> <td>OBIT1</td> <td>H</td> <td>L</td> <td>H</td> <td>L</td> </tr> <tr> <td>OBIT2</td> <td>H</td> <td>H</td> <td>L</td> <td>L</td> </tr> </table>		22 bit	20 bit	18 bit	no output	OBIT1	H	L	H	L	OBIT2	H	H	L	L														
	22 bit	20 bit	18 bit	no output																																
OBIT1	H	L	H	L																																
OBIT2	H	H	L	L																																
4	BC1	I	Bit clock	15	NC	—	No connection																													
5	SDSY	I	L/R select and input timing	16	ASY	I	Synchronous/Asynchronous system clock selection																													
6	IBIT1	I	Input bit selection	17	Vss1		Ground																													
7	IBIT2	I		<table border="1"> <tr> <td></td> <td>22 bit</td> <td>20 bit</td> <td>18 bit</td> <td>16 bit</td> <td>AV-DSP</td> <td>MEL</td> </tr> <tr> <td>IBIT1</td> <td>H</td> <td>L</td> <td>H</td> <td>L</td> <td>H</td> <td>L</td> </tr> <tr> <td>IBIT2</td> <td>H</td> <td>H</td> <td>L</td> <td>L</td> <td>H</td> <td>H</td> </tr> <tr> <td>IBIT3</td> <td>H</td> <td>H</td> <td>H</td> <td>H</td> <td>L</td> <td>L</td> </tr> </table>		22 bit	20 bit	18 bit	16 bit	AV-DSP	MEL	IBIT1	H	L	H	L	H	L	IBIT2	H	H	L	L	H	H	IBIT3	H	H	H	H	L	L	18	BCO	O	Bit clock of DLO, DRO
	22 bit	20 bit		18 bit	16 bit	AV-DSP	MEL																													
IBIT1	H	L		H	L	H	L																													
IBIT2	H	H	L	L	H	H																														
IBIT3	H	H	H	H	L	L																														
8	IBIT3	I		19	WCO	O	Word clock of DLO, DRO																													
9	MUTE	I	Mute	20	SHL	O	Deglich signal of L/R channel																													
10	NC	—	No connection	21	DRO	O	Output data of R channel																													
11	SDI	I	Input data	22	NC	—	No connection																													
12	Vdd2		Power supply	23	DLO	O	Output data of L channel																													
				24	Vdd1		Power supply																													

■ IC BLOCK DIAGRAM (ICブロック図)

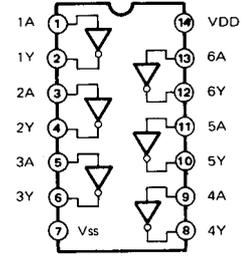
- **SN74HC00N (IR000050)**
Quad 2 Input NAND



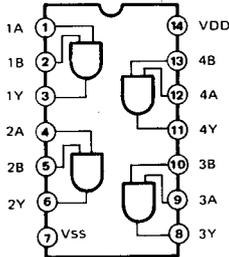
- **SN74HC02N (IR000250)**
Quad 2 Input NOR



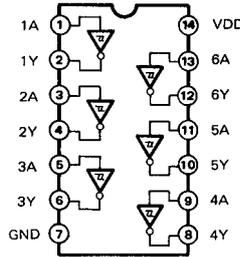
- **SN74HC04N (IR000450)**
Hex Inverter



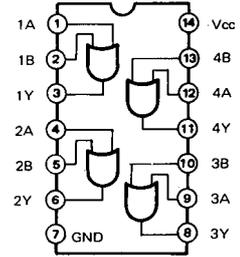
- **SN74HC08N (IR000850)**
Quad 2 Input AND



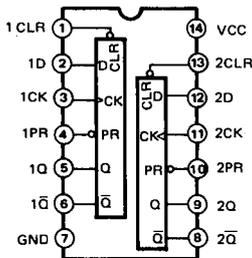
- **SN74HC14N (IR001450)**
Hex Inverter



- **SN74HC32N (IR003250)**
Quad 2 Input OR

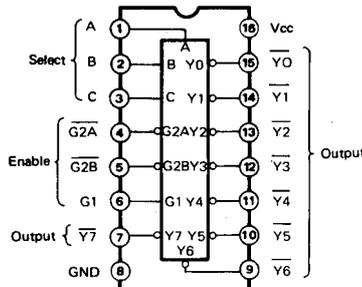


- **SN74HC74N (IR007450)**
Dual D-Type Flip-Flop

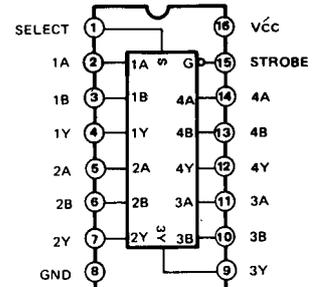


INPUTS				OUTPUTS	
PR	CLR	CLK	D	Q	Q̄
L	H	X	X	H	L
H	L	X	X	L	H
L	L	X	X	H	H
H	H	↑	H	H	L
H	H	↑	L	L	H
H	H	L	X	Q _o	Q̄ _o

- **SN74HC138N (IR013850)**
3 to 8 Demultiplexer

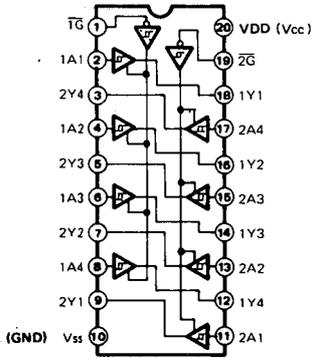


- **SN74HC157N (IR015750)**
Quad 2 to 1 Multiplexer

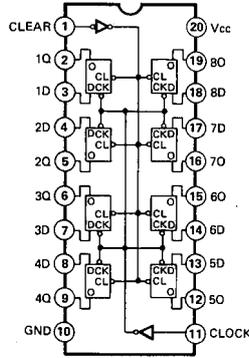


D2040

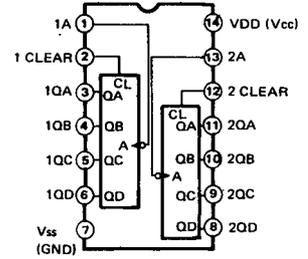
- **SN74HC244** (IR024450)
Octal 3-State Bus Buffer



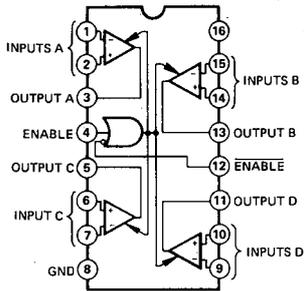
- **SN74HC273N** (IR027350)
Octal D-Type Flip-Flop



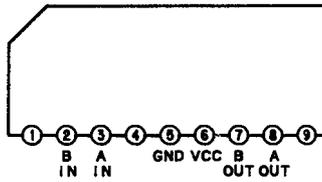
- **SN74HC393N** (IR039350)
Dual 4-Bit Binary Counter



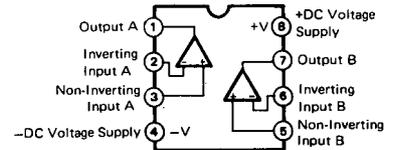
- **AM26LS32PC** (XC571A00)
Line Receiver



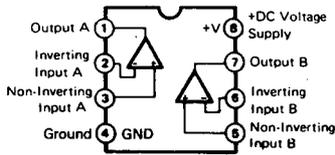
- **BA6208** (XC552A0)
Motor Driver



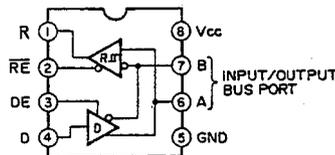
- **NE5532P** (IG102500)
- **M5230P** (XA013A00)
Dual Operational Amplifier



- **NJM2903D** (IG031000)
Dual Single-Supply Comparator

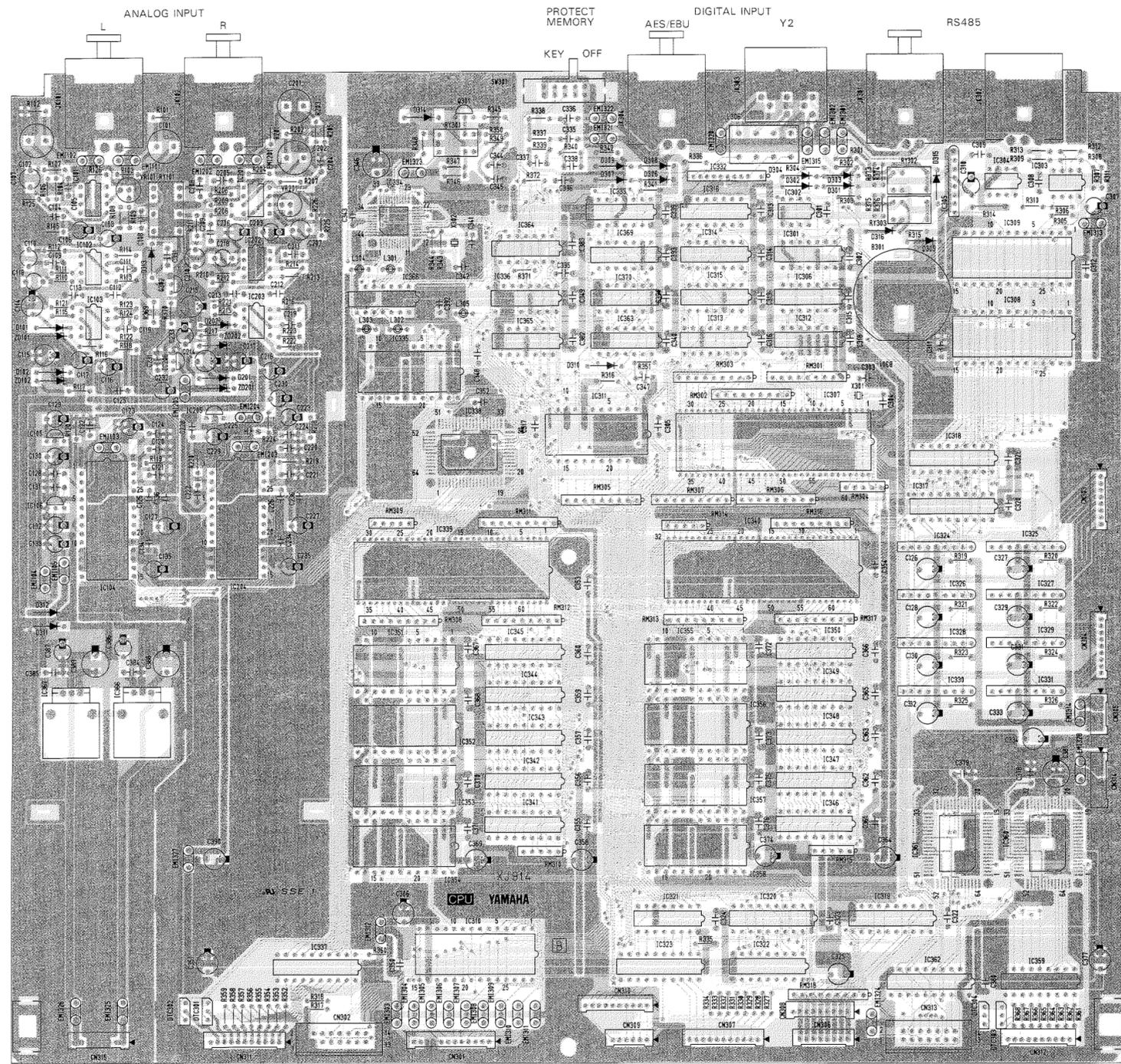


- **SN75176BP** (XJ703A00)
Differential Bus Transceiver



■ CIRCUIT BOARDS (シート基板図)

● CPU Circuit Board



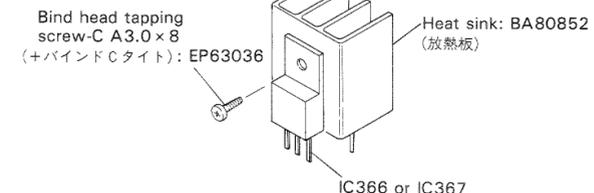
Notes)

Circuit Board : CPU (VM452700) XJ914B0

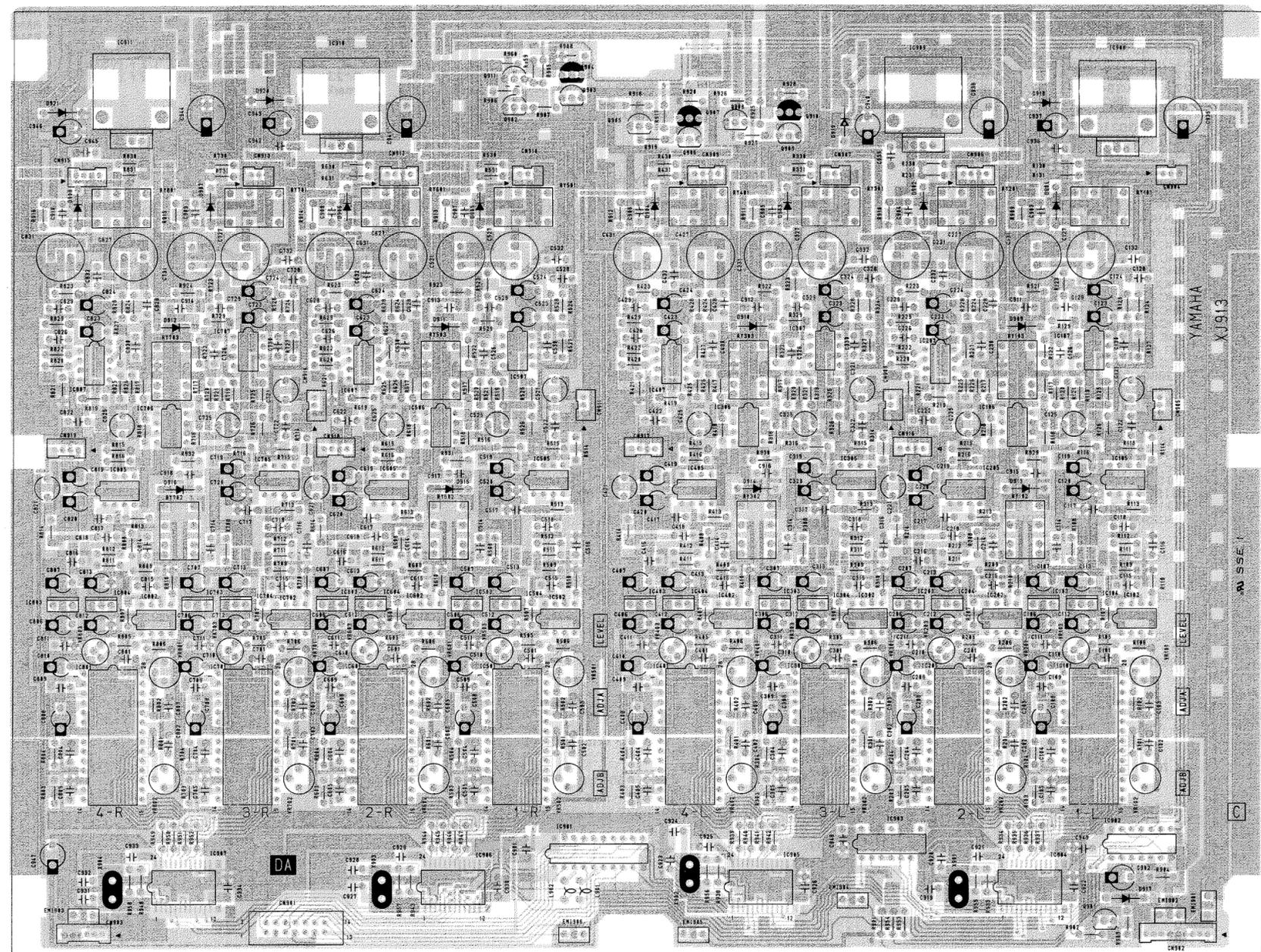
- IC
IC101 ~ 103, 201 ~ 203: NE5532P (IG102500) OP AMP.
IC104, 204: AK5327-VP (XG898A00) ADC
IC105, 205: M5278L05 (XG945A00) +5V REGULATOR
IC106, 206: M5279L05 (XG946A00) -5V REGULATOR
IC301: SN74HC08N (IR000850) AND
IC302: SN75176BP (XJ703A00) BUS-TRANSCEIVER
IC303: NJM2903 (IG031000) COMPARATOR
IC304: M5238P (XA013A00) OP AMP.
IC305: M62021L (XH970A00) RESET IC
IC306, 364, 365: SN74HC04N (IR000450) INVERTER
IC307: HD63B03YP-N (XD245A00) CPU (XK030A00) EP ROM
IC308: LC3664RL-12 (XG517A00) SRAM 64K
IC310: ADC0809CCN (XG740A00) ADC
IC311: HD63B50P (IG147300) ACIA
IC312, 370: SN74HC74N (IR007450) D-FF
IC313, 321: SN74HC138N (IR013850) DECODER 3-8
IC314: SN74HC02N (IR000250) NOR
IC315: SN74HC00N (IR000050) NAND
IC316, 368: SN74HC32N (IR003250) OR
IC317, 318, 320: SN74HC273N (IR027350) D-FF OCTAL
IC319, 362: SN74HC244 (IR024450) BUS-BUFFER
IC324 ~ 331: BA6208 (XC552A00) MOTOR DRIVER
IC332: 897021 (XH595A00) RS IN
IC333: AM26LS32PC (XC571A00) LINE RECEIVER
IC334: YM3436BG (XG948C00) DIR2
IC335, 351 ~ 358: YM6104 (XE788A00) DEQ2
IC336: SN74HC157N (IR015750) DATA-SELECTOR
IC338, 360, 361: YM3934 (XE798A00) PMM2
IC339, 340: YM3818 (XC354A00) DSPM
IC341 ~ 350: MS51464-12NC (XA457A00) DRAM 256K or MSM41464-10 (XJ801A00) DRAM 256K
IC363: SN74HC14N (IR001450) INVERTER
IC366: NJM7815FA (XD853A00) +15V REGULATOR or μ PC7815HF (XE403A00) +15V REGULATOR
IC367: NJM7915FA (XD854A00) -15V REGULATOR
IC369: SN74HC393N (IR039350) COUNTER
- Transistor
Q301, 302: 2SC1815 Y, GR (IC1815M0)
- Digital Transistor
DTC301 ~ 304: DTB143EF (VF072800)
- Transistor Array
IC322: TD62783AP (VK456300)
IC323, 337: BA6212 (VF074800)
IC359: TD62381P (VJ041400)
- Diode
D101, 102, 201, 202, 301 ~ 310: 1SS133, 1SS176 (VB941200)
D311 ~ 316: 11ES4 (VB481900)
- Zener Diode
ZD101, 102, 201, 202: MTZ4.7C 4.7V (VA093700)
- Metal Film Resistor
R101, 201: 22K Ω 1/4 F (VB088100)
R102, 202: 68K Ω 1/4 F (VB069200)
R113, 213: 22 Ω 1/4 F (VB060900)
R116, 117, 216, 217: 4.7K Ω 1/4 F (VA074100)
R110, 210, 349: 100 Ω 1/4 F (VB062600)
R119, 120, 219, 220: 56 Ω 1/4 F (VB061900)
R125, 126, 225, 226: 10K Ω 1/4 F (VA074400)
R122, 222: 3K Ω 1/4 F (VB066600)
R311: 910 Ω 1/4 F (VB065000)
R312: 1.5K Ω 1/4 F (VB065900)
R313: 2.4K Ω 1/4 F (VB066400)
R348: 3.3K Ω 1/4 F (VB066700)
R350: 470 Ω 1/4 F (VB064100)

- Solid Resistor
R314: 10M Ω 1/4 K (HI209990)
- Trimmer Potentiometer
VR101, 201: B 5.0K 3P 332 (HT560060) 2pcs
- Resistor Array
RM301 ~ 303, 305 ~ 308, 311 ~ 313, 316 ~ 318: RGLD8X103J (VE445200)
RM304, 309, 310, 314, 315: RGLD4X103J (VE443500)
- Electrolytic Cap.
C103, 106, 129, 130, 132, 133, 203, 206, 229, 230, 232, 233: 22 μ F 25V (VE018400)
C114, 115, 214, 215: 220 μ F 10V (VE017300)
C116, 117, 216, 217, 386, 387: 47 μ F 25V (VE018600)
C123, 127, 223, 227: 10 μ F 16V (VE017600)
C346, 381: 470 μ F 10V (UJ828470)
C388, 389: 220 μ F 35V (VI550200)
- Maica Capacitor
C104, 105, 109, 119, 204, 205, 209, 219: 68pF 500V J (FU451680)
C111, 211: 18pF 500V J (FU451180)
- Semiconductive Cera. Cap.
C107, 108, 110, 111, 112, 113, 114, 115, 116, 117, 118, 119, 120, 121, 122, 123, 124, 125, 126, 127, 128, 129, 130, 131, 132, 133, 134, 135, 136, 137, 138, 139, 140, 141, 142, 143, 144, 145, 146, 147, 148, 149, 150, 151, 152, 153, 154, 155, 156, 157, 158, 159, 160, 161, 162, 163, 164, 165, 166, 167, 168, 169, 170, 171, 172, 173, 174, 175, 176, 177, 178, 179, 180, 181, 182, 183, 184, 185, 186, 187, 188, 189, 190, 191, 192, 193, 194, 195, 196, 197, 198, 199, 200, 201, 202, 203, 204, 205, 206, 207, 208, 209, 210, 211, 212, 213, 214, 215, 216, 217, 218, 219, 220, 221, 222, 223, 224, 225, 226, 227, 228, 229, 230, 231, 232, 233, 234, 235, 236, 237, 238, 239, 240, 241, 242, 243, 244, 245, 246, 247, 248, 249, 250, 251, 252, 253, 254, 255, 256, 257, 258, 259, 260, 261, 262, 263, 264, 265, 266, 267, 268, 269, 270, 271, 272, 273, 274, 275, 276, 277, 278, 279, 280, 281, 282, 283, 284, 285, 286, 287, 288, 289, 290, 291, 292, 293, 294, 295, 296, 297, 298, 299, 300, 301, 302, 303, 304, 305, 306, 307, 308, 309, 310, 311, 312, 313, 314, 315, 316, 317, 318, 319, 320, 321, 322, 323, 324, 325, 326, 327, 328, 329, 330, 331, 332, 333, 334, 335, 336, 337, 338, 339, 340, 341, 342, 343, 344, 345, 346, 347, 348, 349, 350, 351, 352, 353, 354, 355, 356, 357, 358, 359, 360, 361, 362, 363, 364, 365, 366, 367, 368, 369, 370, 371, 372, 373, 374, 375, 376, 377, 378, 379, 380, 381, 382, 383, 384, 385, 386, 387, 388, 389, 390, 391, 392, 393, 394, 395, 396, 397, 398, 399, 400, 401, 402, 403, 404, 405, 406, 407, 408, 409, 410, 411, 412, 413, 414, 415, 416, 417, 418, 419, 420, 421, 422, 423, 424, 425, 426, 427, 428, 429, 430, 431, 432, 433, 434, 435, 436, 437, 438, 439, 440, 441, 442, 443, 444, 445, 446, 447, 448, 449, 450, 451, 452, 453, 454, 455, 456, 457, 458, 459, 460, 461, 462, 463, 464, 465, 466, 467, 468, 469, 470, 471, 472, 473, 474, 475, 476, 477, 478, 479, 480, 481, 482, 483, 484, 485, 486, 487, 488, 489, 490, 491, 492, 493, 494, 495, 496, 497, 498, 499, 500: 0.1 μ F 25V Z (VC694800) 56pcs
- Monolithic Mylar Cap.
C112, 113, 124, 128, 131, 212, 213, 224, 228, 231, 384, 385: 0.1 μ F 50V J (VI550600)
C120 ~ 122, 125, 220 ~ 222, 225: 0.01 μ F 50V J (VI550500)
C126, 134, 226, 234: 0.22 μ F 50V J (VJ663100)
- Ferrite Bead
L301 ~ 305: BL02RN1-R62T4 (GE300610)
- EMI Filter
EMI101, 102, 201, 202, 301, 302, 321, 322: LS MT B271KB (FZ006920)
EMI103 ~ 105, 203 ~ 205, 303 ~ 315, 320, 323 ~ 328: LS MT Y223NB (FZ006970)
- Noise Filter DIP
L306: DIPD-08C2 (VA928400)
- Quartz Crystal Unit
X301: AT-49 (VL306800) 4.9152MHz
X302: AF2138CG (VI552000) 12.288MHz
- Slide Switch
SW301: SSSU12 2/3 (VI575400) PROTECT(KEY-MEMORY-OFF)
- DIN Jack
JK303: 8P YKF51-5031 (VM642500) DIGITAL INPUT-Y2
- XLM-Connector
JK101, 102, 301, 304: XLM-3-31PCV (VL958600) ANALOG INPUT(L, R), DIGITAL INPUT-AES/EBU, RS-485
JK302: XLM-3-32PCV (VL958700) RS-485
- Relay
RY101: DC AG 8023 (VD613500)
RY301 ~ 303: DC SY-3 (VM657500)

● IC366 and IC367 installation (IC366とIC367の取り付け)



● DA Circuit Board



Components side (部品側)

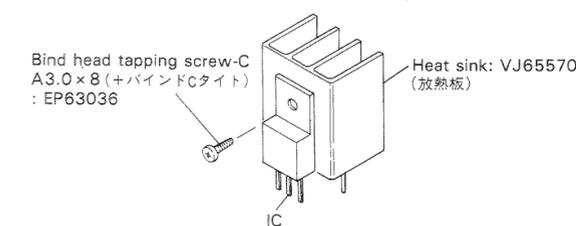
Notes)

Circuit Board : DA (VM452900) XJ913C0

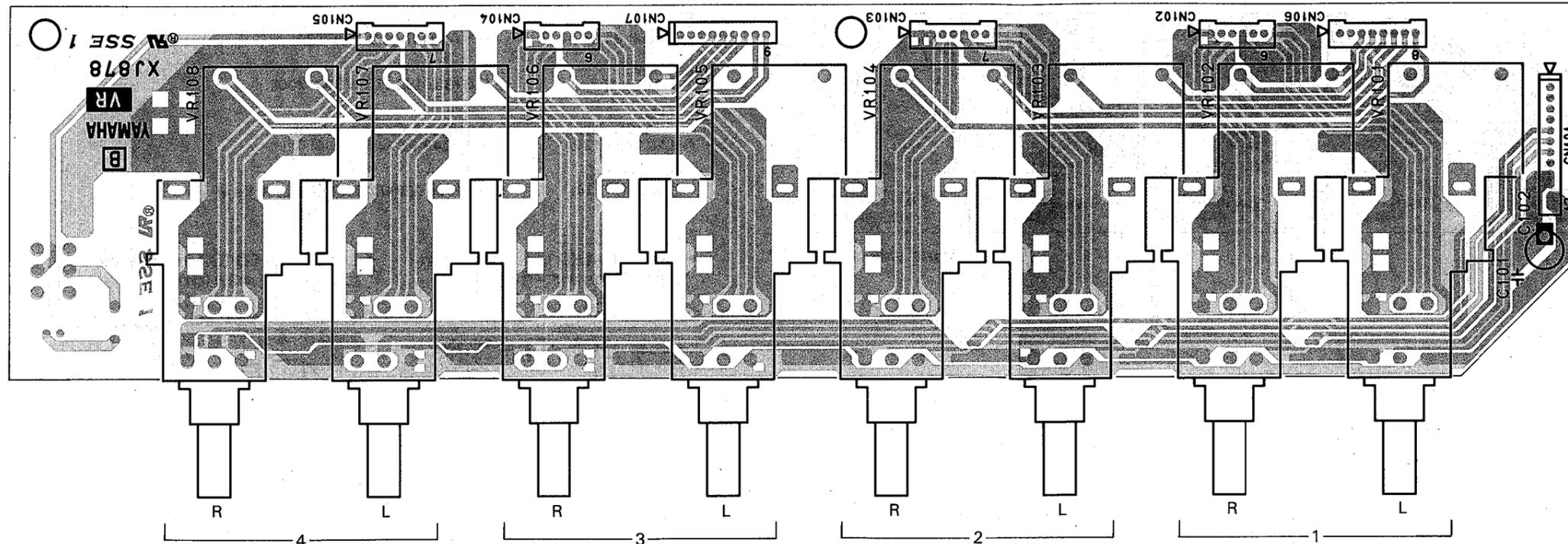
1. IC
 IC*01: PCM63P-Y (XH987A00) DAC
 IC*02: M5238P (XA013A00) OP AMP.
 IC*03: AN78N05 (XA507A00) +5V REGULATOR
 IC*04: AN79N05 (XG780A00) -5V REGULATOR
 IC*05, 106, *07, 306, 506, 706: NE5532P (IG102500) OP AMP.
 IC901: SN74HC244 (IR024450) BUS-BUFFER
 IC902: SN74HC14N (IR001450) INVERTER
 IC903: SN74HC32N (IR003250) OR
 IC904-907: YSF210 (XK280A00) DIGITAL FILTER
 IC908, 910: NJM7815FA (XD853A00) +15A REGULATOR or μ PC7815HF (XE403A00) +15V REGULATOR
 IC909, 911: (marked *: 1~8) NJM7915FA (XD854A00) -15V REGULATOR
2. Transistor
 Q901, 902, 905, 906, 908, 909, 911: 2SC1815 Y, GR (IC1815M0)
 Q903: 2SC1213A C, D (IC121310)
 Q904: 2SA673A C, D (IA067310)
 Q907, 910: 2SA1015 O, Y (IA101590)
3. Diode
 D901-916, 918-921: 11ES4 (VB481900)
 D917: 1SS133, 1SS176 (VB941200)
4. Metal Film Resistor
 R*01, *02: 330K Ω 1/4 F (VB070800)
 R*03, *04: 10 Ω 1/4 F (VB060100)
 R*06: 470 Ω 1/4 F (VB064100)
 R*10: 150 Ω 1/4 F (VB062900)
 R*15: 220K Ω 1/4 F (VB070400)
 R*17: 47K Ω 1/4 F (VB068800)
 R*18: 1K Ω 1/4 F (VB065500)
 R*20, *26, *30, *31: 10K Ω 1/4 F (VA074400)
 R*21: 430 Ω 1/4 F (VB064000)
 (marked *: 1~8)
5. Trimmer Potentiometer
 VR*01, *02: B 200K 3P POT (VJ663900) 16pcs
 VR*03: B 5.0K 3P 332 (HT560060) 8pcs
 (marked *: 1~8)
6. Electrolytic Cap.
 C*06, *12: 33 μ F 16V (VE023500)
 C*07, *13, *19, *20, *23, *24: 22 μ F 25V (VE018400)
 C*08, *10: 4.7 μ F 50V (VE020100)
 C935, 938, 941, 944: 220 μ F 35V (V1550200)
 C937, 940, 943, 946: 47 μ F 25V (VE018600)
7. Maica Capacitor
 C*15, *26, *28~*30: 33pF 500V J (FU451330)
 (marked *: 1~8)
8. Semiconductive Cera. Cap.
 C901, 903~918, 948, 949: 0.1 μ F 25V Z (VC694800)

9. Monolithic Mylar Cap.
 C*01, *04, *05, *09, *11, *32, 936, 939, 942, 945: 0.22 μ F 50V J (VJ663100)
 C*02, *03: 0.022 μ F 50V J (VJ663000)
 C*22, 921, 922, 925, 926, 929, 930, 933, 934: 1 μ F 50V J (VJ550800)
 (marked *: 1~8)
10. Ferrite Bead
 L901, 902: BL02RN1-R62T4 (GE300610)
11. EMI Filter
 EMI901-906: LS MT Y223NB (FZ006970)
12. Quartz Crystal Unit
 X901-904: AT-51 (VE463400) 21.47727MHz
13. Relay
 RY*01, 102, 103, 302, 303, 502, 503, 702, 703: DC AG 8023 (VD613500)
 (marked *: 1~8)
14. Carbon Resistor
 R*05: 2.7K Ω 1/2 F (VN687600) RMA
 R*07, *09: 4.7K Ω 1/2 F (VN687900) RMA
 R*08, *11: 2K Ω 1/2 F (VN687400) RMA
 R*12, *13, *16: 2.2K Ω 1/2 F (VN687500) RMA
 R*14: 56 Ω 1/2 F (VN686900) RMA
 R*18, *25: 10K Ω 1/2 F (VN688400) RMA
 R*22, *27: 22K Ω 1/2 F (VN688600) RMA
 R*23, *28: 75 Ω 1/2 F (VN687700) RMA
 R*24, *29: 24K Ω 1/2 F (VN688700) RMA
 (marked * = 1 ~ 8)

● IC908-IC911 installation
 (IC908-IC911の取り付け)



● VR Circuit Board

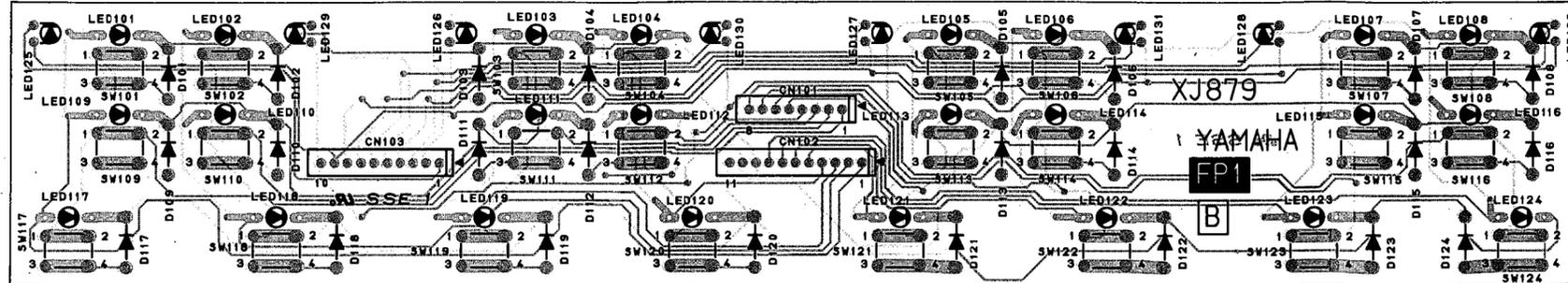


Components side (部品側)

Notes)

- Circuit Board : VR (VM453100) XJ878B0
1. Variable Resistor
VR101 ~ 108: RK18112MC004A (VM642600) A10K + B10K
OUTPUT LEVEL CONTROL
 2. Semiconductive Cera. Cap.
C101: 0.1 μ F 25V Z (VE659000)

● FP1 Circuit Board

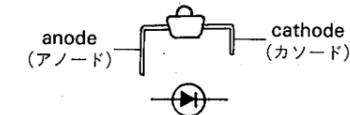


Components side (部品側)

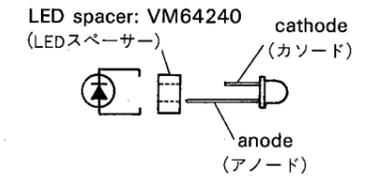
Notes)

- Circuit Board : FP1 (VM453400) XJ879B0
- Diode
D101 ~ 124: 1SS133, 1SS176 (VB941200)
 - LED
LED101 ~ 124: GL1HD212 RE (VG149600)
LED125 ~ 132: GL3HD43 RE (V1860200) CLIP
 - Push Switch
SW101 ~ 124: SKHHAK (VM664500) CLIP-L, R(1~4)

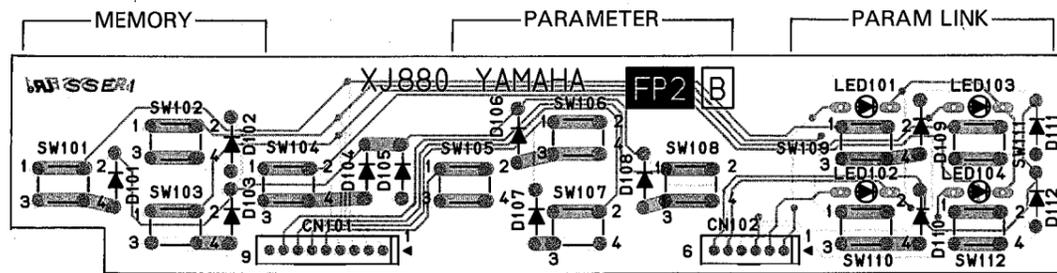
● LED101-LED124 installation (LED101~LED124の取り付け)



● LED125-LED132 installation (LED125~LED132の取り付け)



● FP2 Circuit Board

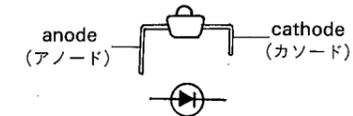


Components side (部品側)

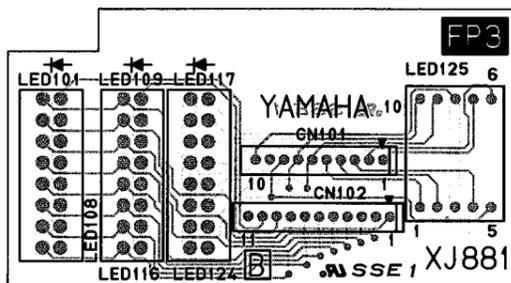
Notes)

- Circuit Board : FP2 (VM453600) XJ880B0
- Diode
D101 ~ 112: 1SS133 (IF003450)
 - LED
LED101 ~ 104: GL1HD212 RE (VG149600) PARAM LINK (FADER LINK, UTILITY, L, R)
 - Push Switch
SW101 ~ 112: SKHHAK (VM664500) MEMORY, PARAMETER, PARAM LINK

● LED101-LED104 installation (LED101~LED104の取り付け)



● FP3 Circuit Board

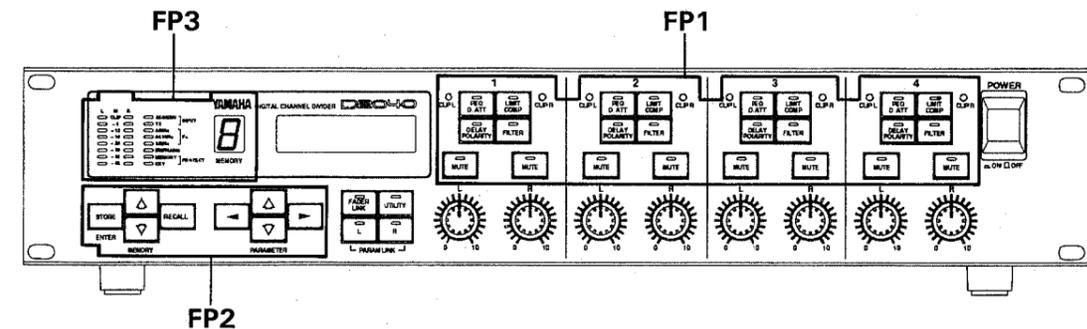


Components side (部品側)

Notes)

- Circuit Board : FP3 (VM453800) XJ881B0
- LED Display
LED101 ~ 108, 109 ~ 116: SX-25J (VA039100) INPUT LEVEL METER
LED117 ~ 124: SX-25A (VM914500) MODE INDICATOR
LED125: LN516RK (V1575100) MEMORY

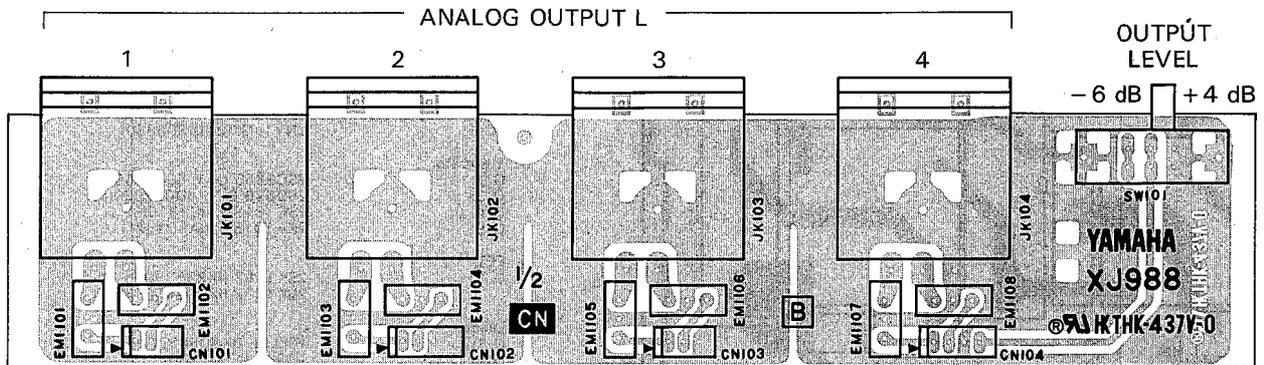
● Circuit Board Layout (ユニットレイアウト)



- FP1 : 3NA-VM45340 ▲
- FP2 : 3NA-VM45360 ▲
- FP3 : 3NA-VM45380 ▲

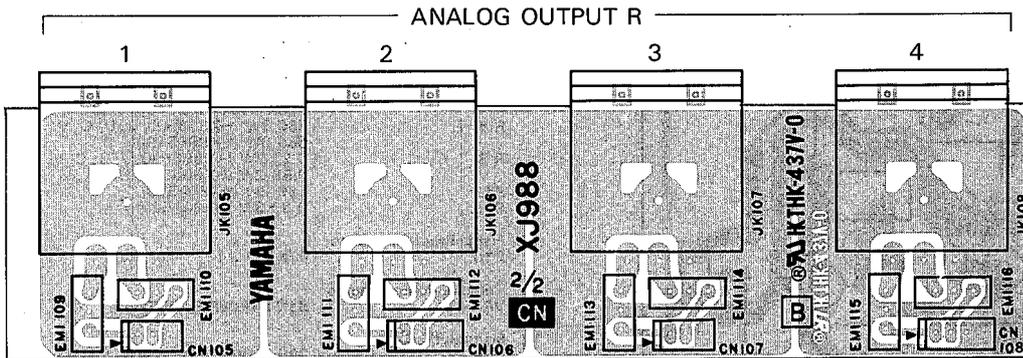
● CN Circuit Board

CN1/2



Components side (部品側)

CN2/2



Components side (部品側)

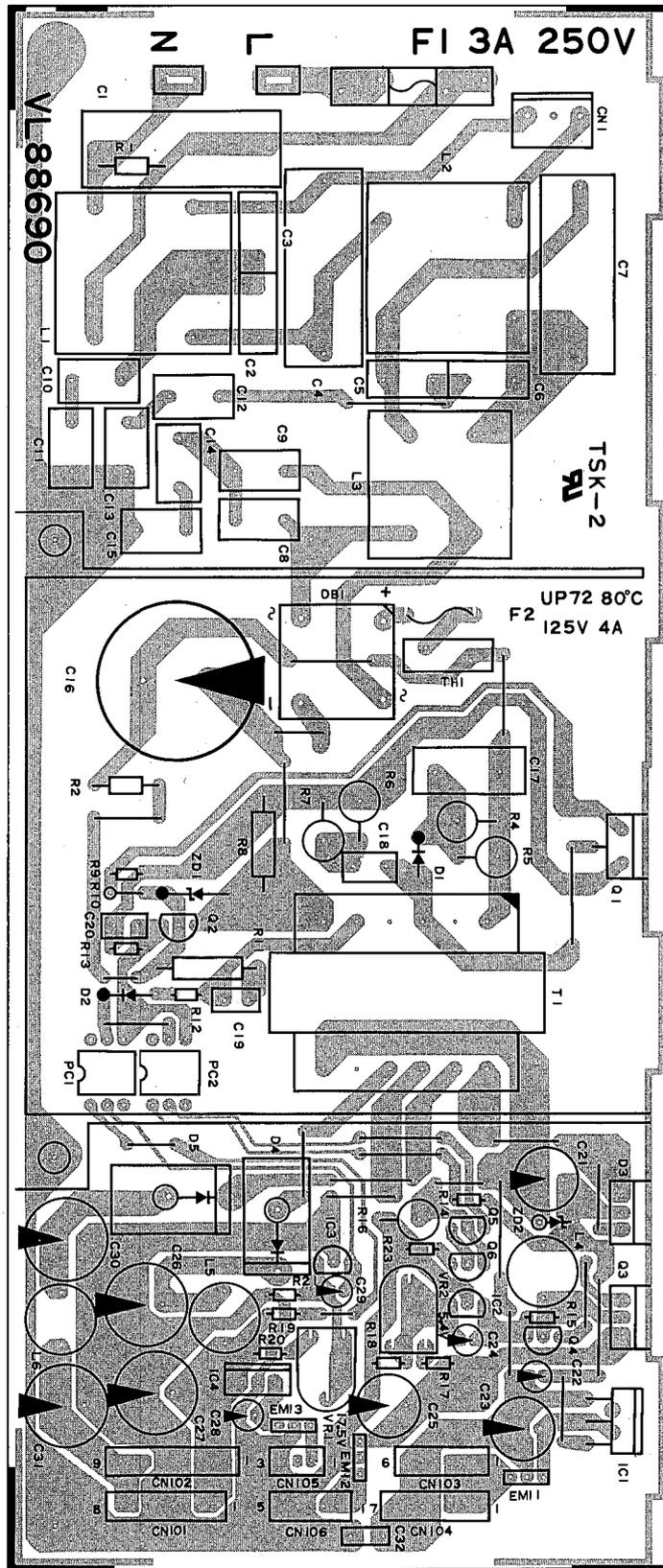
Notes)

- Circuit Board : CN (VM454000) XJ988B0
- 1. EMI Filter
EMI101 ~ 116: MT-B271KB (FZ007050)
- 2. Slide Switch
SW101: SSSU12 (VG502300) OUTPUT LEVEL
- 3. XLM-Connector
JK 101 ~ 108: XLM-3-32PCV (VL958700) ANALOG OUTPUT
- 4. Connector

	wire color	part no.
CN101	SBR	VM65310
CN102	SOR	VM65330
CN103	SBR	VM65310
CN104	SOR, WH	VM65350
CN105	SRE	VM65320
CN106	SYE	VM65340
CN107	SRE	VM65320
CN108	SYE	VM65340

● Power Supply Unit (電源ユニット)

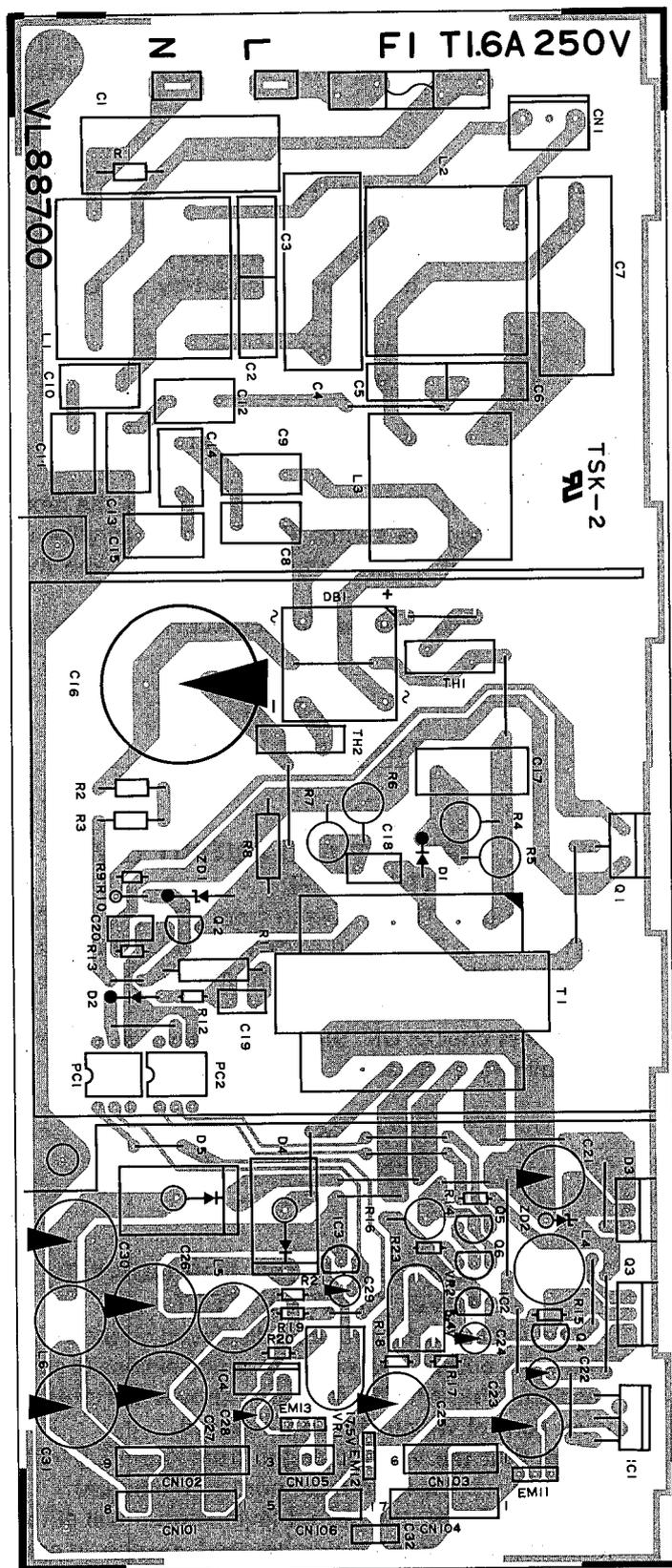
● Japanese, U.S.A., Canadian & General (110V) models



Notes)

- | | |
|------------------------------|--|
| Power Supply Unit: | (VL88690) J, U, C, V
(VL887000) H, B |
| 1. IC | |
| IC 1: | SI-3050C (X1164A00) REGULATOR |
| IC 2, 3: | μ PC1093J (IX801910) REGULATOR |
| IC 4: | μ PC7812H (IG033250) REGULATOR |
| 2. Photo Coupler | |
| PC 1: | CNY17GF-2 (IX805930) |
| 3. Transistor | |
| Q 2: | 2SC2655 O, Y (IC265500) |
| Q 3: | 2SD526 O, Y (ID052630) |
| Q 4, 6: | 2SC1815 Y (IC181510) |
| Q 5: | 2SA1015 Y (IA101521) |
| 4. FET | |
| Q 1: | 2SK1157 (IX806390) J, U, C, V
2SK1807 (IX806400) H, B |
| 5. Diode | |
| D 1: | 10ELS6 (IX805850) |
| D 2: | 1SS84 (IF001380) |
| D 3: | D5LC20U (IX805610) |
| D 4,5: | 30DF2-FIN (IX551720) |
| 6. Zener Diode | |
| ZD 1: | RD12E1 (IF003010) |
| ZD 2: | HZ9B1 (IF003180) |
| 7. Diode Stack | |
| DB 1: | S4VB40 (IX800610) J, U, C, V
S4VB60 (IX001140) H, B |
| 8. Thermistor | |
| TH 1: | 5D-11 (IX552070) J, U, C, V |
| TH 1, 2: | 5D-11 (IX552070) H, B |
| 9. Metal Oxide Film Resistor | |
| R 4, 5: | 47K 3W (HX806480) J, U, C, V
100K 3W (HX806490) H, B |
| R 6, 7: | 330 3W (HX806500) J, U, C, V
680 3W (HX806510) H, B |
| R 8: | 0.22 2W (HX806530) J, U, C, V
0.56 2W (HX806540) H, B |
| R11: | 150 2W (HX806550) |
| R16: | 0.33 3W (HX806520) |
| 10. Flame Proof C. Resistor | |
| R10: | 47K 1/4 J (---) |
| 11. Trimmer Potentiometer | |
| VR 1, 2: | B1K RVF08P (HT570540) |
| 12. Electrolytic Cap. | |
| C16: | 330 μ 200V (FX800840) J, U, C, V
150 μ 400V (FX800850) H, B |
| C21: | 1000 μ 16V (---) |
| C22, 24, 28, 29: | 1 μ 50V (---) |
| C23, 25: | 1000 μ 10V (---) |
| C26, 27, 30, 31: | 1000 μ 35V (---) |
| 13. Metalized Capacitor | |
| C 1, 4, 7: | 0.22 μ 250V (FX800860) |
| 14. Film Capacitor | |
| C19, 20: | 0.023 μ 50V (FX800830) |
| 15. Ceramic Capacitor | |
| C 2, 3, 5, 6, 8, 9: | 1000p 400V (VA879600) |
| C10-15: | 2200p 400V (VA879900) |
| C17: | 0.01 μ 400V (F1384100) |
| C18: | 100p 1KV (FX800810) J, U, C, V
68p 2KV (FX800820) H, B |
| C32: | 0.01 μ 50V (FG744100) |
| 16. Common Mode Coil | |
| L 1, 2: | PLE25H-1531R (GX803210) |
| L 3: | PLE14H-8011R7 (GX803220) |
| 17. Choke Coil | |
| L 4, 5, 6: | FL11Z180K-60 (GX803230) |
| 18. EMI Filter | |
| EMI 1, 2, 3: | IFS206-F223ZA (GX803240) |
| 19. Power Transformer | |
| T 1: | TUM040A (GX803250) J, U, C, V
TUM041A (GX803260) H, B |
| 20. Thermostat | |
| F 2: | UP75 80°C (KX802770) J, U, C, V |
| 21. Fuse | |
| F 1: | MT4 3.0A-N1 (VG806000) J, U, C, V
218 01.6 (KX802750) H, B |
| 22. Fuse Holder | |
| | PC-FH1 (LB201530) J, U, C, V |

• European model



Notes)

- Power Supply Unit: (VL886900) J, U, C, V
(VL887000) H, B
1. IC
IC 1: SI-3050C (X1164A00) REGULATOR
IC 2, 3: μ PC1093J (IX801910) REGULATOR
IC 4: μ PC7812H (IG033250) REGULATOR
 2. Photo Coupler
PC 1: CNY17GF-2 (IX805930)
 3. Transistor
Q 2: 25C2655 O, Y (IC265500)
Q 3: 25D526 O, Y (ID052630)
Q 4, 6: 25C1815 Y (IC181510)
Q 5: 25A1015 Y (IA101521)
 4. FET
Q 1: 25K1157 (IX806390) J, U, C, V
25K1807 (IX806400) H, B
 5. Diode
D 1: 10ELS6 (IX805850)
D 2: 1SS84 (IF001380)
D 3: D5LC20U (IX805610)
D 4, 5: 30DF2-FIN (IX551720)
 6. Zener Diode
ZD 1: RD12E1 (IF003010)
ZD 2: HZ9B1 (IF003180)
 7. Diode Stack
DB 1: S4VB40 (IX800610) J, U, C, V
S4VB60 (IX001140) H, B
 8. Thermistor
TH 1: 5D-11 (IX552070) J, U, C, V
TH 1, 2: 5D-11 (IX552070) H, B
 9. Metal Oxide Film Resistor
R 4, 5: 47K 3W (HX806480) J, U, C, V
100K 3W (HX806490) H, B
R 6, 7: 330 3W (HX806500) J, U, C, V
680 3W (HX806510) H, B
R 8: 0.22 2W (HX806530) J, U, C, V
0.56 2W (HX806540) H, B
R11: 150 2W (HX806550)
R16: 0.33 3W (HX806520)
 10. Flame Proof C. Resistor
R10: 47K 1/4 J (---)
 11. Trimmer Potentiometer
VR 1, 2: B1K RVF08P (HT570540)
 12. Electrolytic Cap.
C16: 330 μ 200V (FX800840) J, U, C, V
150 μ 400V (FX800850) H, B
C21: 1000 μ 16V (---)
C22, 24, 28, 29: 1 μ 50V (---)
C23, 25: 1000 μ 10V (---)
C26, 27, 30, 31: 1000 μ 35V (---)
 13. Metalized Capacitor
C 1, 4, 7: 0.22 μ 250V (FX800860)
 14. Film Capacitor
C19, 20: 0.023 μ 50V (FX800830)
 15. Ceramic Capacitor
C 2, 3, 5, 6, 8, 9: 1000p 400V (VA879600)
2200p 400V (VA879900)
C10~15: 0.01 μ 400V (FI384100)
C17: 100p 1KV (FX800810) J, U, C, V
C18: 68p 2KV (FX800820) H, B
C32: 0.01 μ 50V (FG744100)
 16. Common Mode Coil
L 1, 2: PLE25H-1531R (GX803210)
L 3: PLE14H-8011R7 (GX803220)
 17. Choke Coil
L 4, 5, 6: FL11Z180K-60 (GX803230)
 18. EMI Filter
EMI 1, 2, 3: IFS206-F223ZA (GX803240)
 19. Power Transformer
T 1: TUM040A (GX803250) J, U, C, V
TUM041A (GX803260) H, B
 20. Thermostat
F 2: UP75 80°C (KX802770) J, U, C, V
 21. Fuse
F 1: MT4 3.0A-N1 (VG806000) J, U, C, V
218 01.6 (KX802750) H, B
 22. Fuse Holder
PC-FH1 (LB201530) J, U, C, V

■ TEST PROGRAM

A. HOW TO ENTER THE TEST PROGRAM

While pressing the [PEQ/D. ATT] keys of the channel 1 and channel 3, turn on the power switch.

B. PROCEEDING THROUGH THE TESTS

When you have entered the test program, select a test number by using the memory ▲ and ▼ keys, and then press the [RECALL] key to execute the test.

C. EXIT TEST PROGRAM

To exit the test program mode and return to normal operation, select the test number 'K', then press the [RECALL] key. Activating the test 8 after performing tests 1 through 7 will also restore normal operation.

If the test 8 is executed without completion of tests 1 through 7, 'CHECK NOT END' message will appear on the LCD, and the test number that are performed will be shown by the following switch LED indicators:

TEST 1 : [AES/EBU] LED
 TEST 2 : [Y2] LED
 TEST 3 : [48 kHz] LED
 TEST 4 : [44.1 kHz] LED
 TEST 5 : [32 kHz] LED
 TEST 6 : [EMPHASIS] LED
 TEST 7 : [MEMORY] LED

D. INITIAL TEST

After the system has entered the test program, the ROM check, ACIA check and battery check will be performed automatically. When the tests check OK, the LCD display will indicate the following message.

DIAGNOSIS V1.0
 TEST ACIA OK

When the test program has been activated, a delay time is set at 0 msec. and signals pass through the digital effect circuit, and all output level controls are set at maximum position.

TEST 1. LCD TEST

Check that all dots of the LCD turn ON and OFF two times.

TEST 2. LED ON/OFF TEST

Check that each mode LED blinks once in succession from [AES/EBU] to [KEY]. Next, check that

7-segment LED will display in sequence number '0' through '9', then the switch LED indicators blink one after another. Finally, verify all LEDs light and the message 'TEST END LED' will appear on the LCD. The LEVEL and CLIP indicators will remain OFF during this test.

TEST 3. PANEL SWITCH TEST

Press the panel switches consecutively from the [STORE] switch to the switch [MUTE] of channel 4, according to the order indicated by the LCD.

DIAGNOSIS V1.0
 TEST SWITCH STO

(e.g. When checking [STORE].)

If the switch is OK, you should proceed to the next switch. When the switch [MUTE] of channel 4 is pressed, OK is displayed as shown below and the test will end.

In an error occurs, press the [RECALL] key to initiate the test.

DIAGNOSIS V1.0
 TEST SWITCH OK

TEST 4. PROTECT AND OUTPUT LEVEL SWITCH TEST

Slide the [PROTECT] switch from [OFF] to [MEMORY] then to [KEY] and back to [OFF]. Next, slide the [OUTPUT LEVEL] switch from [+4 dB] to [-6 dB] then back to [+4 dB].

If the test checks OK, the LCD display will indicate the following message.

DIAGNOSIS V1.0
 TEST REAR SW OK

TEST 5. A/D CONVERTER FOR OUTPUT LEVEL CONTROL TEST

According to the target value displayed on the LCD, rotate the output level controls anticlockwise in succession. The [MUTE] indicator shows the output level control which should be tested.

Check that the value changes from 4.5→2.5→00 (in other words, from maximum to minimum).

If the test is OK, the output level control will automatically reset at the maximum, and you should proceed to test the next A/D converter.

TEST 6. OUTPUT LEVEL CONTROL TEST

Check that the entire output level controls automatically rotate from maximum to minimum. In that way, controls will stop at the center for a while, then move to the minimum and then back to the maximum.

TEST 7. FACTORY SET TEST

This test is used to initialize the data to the factory settings.

When this test is executed, the following display will appear.

DIAGNOSIS V1.0
RAM INITIALIZE ?

If you press [STORE], the factory preset data will be restored, then the following message will appear.

DIAGNOSIS V1.0
SET INITIALIZE

TEST 9. EMPHASIS TEST

When this test is executed, the pre-emphasis and de-emphasis will work.

Apply signals of +4.0 dBm to the L and R INPUTS, and check that the outputs are as follow. (taking 1 kHz as a reference)

20 Hz—20 kHz: 0 dB+0.5 dB/0 dB—1.0 dB

Next, check that the noise level at OUTPUTS are -3 dB, taking the noise level when the emphasis does not work as a reference.

TEST A. DIGITAL INPUT TEST (AES/EBU)

Apply AES/EBU format signal of full-scale/1 kHz to the AES/EBU terminal, and check that the outputs are +24 dBm ± 1.0 dB. (distortion rate is less than 0.007%.)

The system should correctly work on each sampling frequency of 28.8 kHz through 52.8 kHz.

You can perform this test to check only the 1L and 1R channels.

You should use an AD2X, AD CONVERTER during this test.

TEST B. DIGITAL INPUT TEST (Y2)

Apply Y2 (YAMAHA-LSI) format signal of full-scale/1 kHz to the Y2 terminal, and check that the outputs are +24 dBm ± 1.0 dB. (distortion rate is less than

0.007%.)

The system should correctly work on each sampling frequency of 28.8 kHz through 52.8 kHz.

You can perform this test to check only the OUTPUTS 1L and 1R.

You should use an AD2X, AD CONVERTER during this test.

TESTS C—G. DRAM CHIP TEST

When these tests are activated, sinewaves are generated at DEQ-CHIPS.

Check that correct signals are produced at the OUTPUTS 1L through 4R using an oscilloscope or an amplifier/speaker system. If a DRAM is NG, the symmetrical waveform can not be obtained at the output. The DRAM-CHIPS which work in each test are as shown below.

Test No	L/R	MSB	LSB	Marked ***		
C	L	IC345	IC344	IC343	IC342	IC341	THR
	R	IC350	IC349	IC348	IC347	IC346	
D	L	IC344	IC343	IC342	IC341	0000	04B
	R	IC349	IC348	IC347	IC346	0000	
E	L	IC343	IC342	IC341	0000	0000	08B
	R	IC348	IC347	IC346	0000	0000	
F	L	IC342	IC341	0000	0000	0000	12B
	R	IC347	IC346	0000	0000	0000	
G	L	IC341	0000	0000	0000	0000	16B
	R	IC346	0000	0000	0000	0000	

TEST H. DEQ CHIP TEST

Check that correct sine waves of 955 Hz, +24.0 dBm ± 1.0 dB are output as follows:

DEQ CHIP	OUTPUT TERMINAL
IC351	1L
IC352	1R
IC353	2R
IC354	2L
IC355	3R
IC356	3L
IC357	4R
IC358	4L

TEST I. FLOATING A/D CONVERTER TEST

Check that the output is +4 dBm ± 1.5 dB when signals of +4.0 dBm, 1 kHz are applied to the INPUTS L and R. And when the input level is adjusted, making the output level +6.0 dBm ± 1.5 dB, a slightly clipped output waveform should be obtained. (using a distortion meter) You can perform this test to check only the OUTPUTS 1L and 1R.

TEST J. D/A CONVERTER TEST

Check that each output has the same specifications. When this test has been activated, the OUTPUTS from the DEQ-CHIPS are set at '0'. Then check that each D/A converters work correctly by measuring the noise levels at the OUTPUTS 1L through 4R.

■ INSPECTIONS

Before performing any following adjustments, set the unit as follows:

1. Output level controls: maximum
2. Set the output level switch at +4 dB.
3. Set the [PROTECT] switch at OFF.
4. Short the outputs with 600 ohm/1P loads.
5. Activate the test program.

1 Gain test

Check that the OUTPUT should be $+4.0 \text{ dBm} \pm 1.0 \text{ dB}$, when signals of $+4.0 \text{ dBm}$, 1 kHz are applied to the L and R INPUTS.

2 Frequency response test

Apply signals of $+4.0 \text{ dBm}$, 1 kHz to the L and R INPUTS, and check that the output is as follows. (taking 1 kHz as a reference)

20 Hz—20 kHz: $0 \text{ dB} + 0.5 \text{ dB/O dB} - 1.0 \text{ dB}$

3 Distortion test

Apply signals of $+24.0 \text{ dBm}$, 1 kHz to the INPUTS L and R, and check that the distortion of the outputs are less than 0.007% with a slightly clipped output waveform. Next, activate the test program 9 and check that the distortion of the outputs are less than 0.005% with a slightly clipped output waveform.

You should perform this inspection waiting for more than three minutes after the power switch has been turned ON.

4 Maximum output level test

When signals of $+4.0 \text{ dBm}$ at 1 kHz are applied to the L and R INPUTS, and the input level is adjusted, check that the outputs are $+24.0 \text{ dBm}$ with distortion rate less than 3%.

5 Noise level test

Short the pin 2 and pin 3 of the inputs with a 150 ohm load, then check that the noise levels are less than -78 dBm at the OUTPUTS.

Next, activate the test program 9 and check that the noise levels of the outputs are less than -81.0 dBm .

You should perform this inspection waiting for more than three minutes after the power switch has been turned ON.

Level Meter and clip indicator test

- 6 6-1 Apply signals of $+25.0 \text{ dBm}$ at 1 kHz to the L and R INPUTS and check that the all LEDs of the level meter and clip indicators will light.

6-2 When the input levels are adjusted to $+20.0 \text{ dBm}$, the clip indicators will go OFF.

6-3 When the input signal levels gradually decrease by -6 dB , the LEDs of the level meter go off one after another from the top one down.

6-4 When the input levels are adjusted to -22.0 dBm all LEDs will turn off.

7 Output level switch test

Turn the output level switch to [+6 dB] and apply signals of $+4 \text{ dBm}$, 1 kHz to the L and R INPUTS, check that the outputs are $-6 \text{ dBm} \pm 1.5 \text{ dB}$.

8 Muting test

After applying power to the unit, muting works for 3 ± 1 seconds and no signals should be output. And, when the power is turned off, check that muting will work and no click will be produced.

9 Digital signal input test

9-1 Activate the test program A and check that the outputs are $+24 \text{ dBm} \pm 1.0 \text{ dB}$ with distortion rate less than 0.007%, when AES/EBU format signal of full-scale/1 kHz is applied to the AES/EBU terminal. You should use an AD2X, AD CONVERTER during this test.

9-2 Activate the test program B and check that the outputs are $+24 \text{ dBm} \pm 1.0 \text{ dB}$ with distortion rate less than 0.007%, when Y2 format signal of full-scale/1 kHz is applied to the Y2 terminal.

You should use an AD2X, AD CONVERTER during this test.

10 Measuring instruments

1. For the distortion measurement, a low-pass filter with cut-off frequency of 80 kHz, -6 dB/oct. must be used.
2. For the noise level measurement, a low-pass filter with cut-off frequency of 12.7 kHz, -6 dB/oct. must be used.
3. The output impedance of the signal generator must be less than 600 ohms.
4. The input impedance of the measuring instruments must be over 1 Mohms.

■ INITIALIZATION

While pressing the [PEQ/D. ATT] key of the channel 1 and [LIMIT/COMP] key of the channel 3, turn on the power switch, then the RAM data will be initialized and the factory preset data will be restored.

■ テストプログラム

テストプログラムの起動

1チャンネルと3チャンネルの [PEQ/D. ATT] キーを押しながら、電源スイッチをONします。

テストプログラムの進め方

[MEMORY ▲] と [MEMORY ▼] キーを使用して実行するテスト番号を選択した後、[RECALL] キーを押してテストを実行します。

テストの終了の仕方

テストKを実行すると、テストプログラムモードを抜けて通常モードとなります。また、テスト1からテスト6までを行い、テスト7の初期設定を終了した後にテスト8を実施しても、テストプログラムを終えることができます。テスト1からテスト7までを終了せずにテスト7を実施すると、“CHECK NOT END”がLCDに表示されると共に、以下に示すスイッチのLEDが点灯し、終了したテストを示します。

- テスト1： [AES/EBU] LED
- テスト2： [Y2] LED
- テスト3： [48kHz] LED
- テスト4： [44.1kHz] LED
- テスト5： [32kHz] LED
- テスト6： [EMPHASIS] LED
- テスト7： [MEMORY] LED

A. イニシャルテスト

テストプログラムが起動されると、ROMのチェックサム、LSIの制御回路のチェック、バッテリーチェックが自動的に実行されます。

テストがOKなら、以下のようにLCDに表示されます。

DIAGNOSIS V1.0
 TEST ACIA OK

なお、テストプログラムが起動されると、DSP-LSIはディレイタイム=0msec.、DEQ-LSIはバイパス状態に設定されます。また、全てのアウトプットレベルコントロールは最大の位置にセットされます。

テスト1 LCD 表示器の動作確認

テストが起動されると、LCDの全ドットが2回点滅します。

テスト2 LEDの点灯確認

LEDが全て点灯するか、目視によりチェックします。

1. モードインジケータ内のLEDが、[AES/EBU]、[Y2] …… [KEY] と順次点灯します。
2. メモリーLEDディスプレイが、[0]、[1]、[2] …… [9] と順次点灯します。
3. スイッチ内のLEDが、[FADER LINK]、[L] …… [MUTE] と順次点灯します。
4. 全LEDが点灯します。(入力レベルメーターと出力クリップ用のLEDは除く)
5. LCDに、[TEST LED END] と表示されます。

テスト3 スイッチの動作確認

テストが起動されると、次の画面がLCDに表示されます。

DIAGNOSIS V1.0
 TEST SWITCH STO

([STO] の部分は、点滅している)

1. [STORE] キーを押すと、[STO] のブリンクが [MUP] に変わります。
2. [MEMORY ▲] キーを押すと、[MPU] の点滅が [MDN] に変わります。
以下、LCDの表示に従ってスイッチを順番に押していきます。
3. 最後に [4R MUTE] キーを押し、テストがOKなら次の画面がLCDに表示されます。

DIAGNOSIS V1.0
 TEST SWITCH OK

なお、NGが起きたときにはテストを再起動して、初めからやり直して下さい。

テスト4 リアパネルのスライドスイッチの動作確認

1. プロテクトスイッチを、[OFF] から [MEMORY]、[KEY] へと動かした後、[OFF] に戻します。
2. 次に、出力レベルスイッチを [+4dB] から [-6dB] に動かした後、 [+4dB] に戻します。

テストがOKなら次の画面がLCDに表示されます。

DIAGNOSIS V1.0
TEST REAR SW OK

テスト5 アウトプットレベルコントロール用A/Dコンバーターの動作確認

テストが起動されると、1Lの [MUTE] のLEDが点灯し、LCDに表示された [4.5] の数字が点滅します。各 [MUTE] のLEDが確認すべきチャンネルを示します。

アウトプットレベルコントロールをLCDの表示に従って 4.5- 2.5- 00(最大 - 最小)と反時計方向へ回します。テストがOKならアウトプットレベルコントロールは自動的に最大の位置に戻り、次のチャンネルのチェックに進みます。

テスト6 アウトプットレベルコントロールの動作確認

テストが起動されると、全てのアウトプットレベルコントロールが反時計方向に回転しはじめ、中央付近で一旦停止した後、最小の位置まで回転します。その後、再び最大の位置に戻ります。これを、目視により確認します。

テスト7 メモリーデーターなどの初期設定

テストが起動されると、次の画面が表示されます。

DIAGNOSIS V1.0
RAM INITIALIZE?

[STORE]キーを押すと次の画面が表示され、メモリーデーター、ユーティリティーデーターなどが初期値に設定されます。

DIAGNOSIS V1.0
SET INITIALIZE

テスト9 エンファシス回路の動作確認

テストが起動されると、PRE-EMPHASIS回路とDE-EMPHASIS回路がONに設定されます。

+4dBmの信号を加えたときの出力信号の周波数特性が、1kHzを基準として20Hz-20kHzで0dB+0.5dB/0dB-1.0dB以内であることを確認します。また、エンファシス回路をONにした場合のノイズレベルが、OFF時と比較して約3dB低くなることを確認します。(ヤマハA/DコンバーターAD2Xなどを使用して下さい)

テストA AES/EBUデジタル入力回路の動作確認

AES/EBU入力端子に、フルスケール/1kHzのAES/EBUフォーマットのデジタル信号を加えたとき、各出力端子(1L-4R)に+24dBm±1.0dBの信号が歪率0.007%以下で得られることを確認します。

なおサンプリング周波数は、28.8kHz-52.8kHzまで正常に動作すること。

(このテストは、各出力を代表して1Lと1Rだけを実行してもよい。また、ヤマハA/DコンバーターAD2Xなどを使用して下さい)

テストB Y2デジタル入力回路の動作確認

Y2入力端子に、フルスケール/1kHzのY2フォーマットのデジタル信号を加えたとき、各出力端子(1L-4R)に+24dBm±1.0dBの信号が歪率0.007%以下で得られることを確認します。

なおサンプリング周波数は、28.8kHz-52.8kHzまで正常に動作すること。

(このテストは、各出力を代表して1Lと1Rだけを実行してもよい。また、ヤマハA/DコンバーターAD2Xなどを使用して下さい)

テストC-G D-RAMの動作確認

テストが起動されると、DSPにて発信された正弦波が、下表のように分解能を落として出力されるので、これをモニターして上下対象の出力となっているかを確認します。あるいはアンプとスピーカーを接続して、聴感で不良のD-RAMを見つけて下さい。

テストNo.	L/R	MSB				LSB	Marked ***
C	L	IC345	IC344	IC343	IC342	IC341	THR	
	R	IC350	IC349	IC348	IC347	IC346		
D	L	IC344	IC343	IC342	IC341	0000	04B	
	R	IC349	IC348	IC347	IC346	0000		
E	L	IC343	IC342	IC341	0000	0000	08B	
	R	IC348	IC347	IC346	0000	0000		
F	L	IC342	IC341	0000	0000	0000	12B	
	R	IC347	IC346	0000	0000	0000		
G	L	IC341	0000	0000	0000	0000	16B	
	R	IC346	0000	0000	0000	0000		

テストH DEQ-LSIの動作確認

テストが起動されると、IC351-IC358のDEQ-LSIから正弦波が発振されます。1L-4Rの各出力端子に955Hz、+24.0dBm \pm 1.0dBの正弦波が得られるかを観測して、LSIが正常かどうか判断します。

DEQ CHIP	出力端子
IC351	1L
IC352	1R
IC353	2R
IC354	2L
IC355	3R
IC356	3L
IC357	4R
IC358	4L

テストI フローティングA/Dコンバーターの動作確認

ANALOG入力端子(L, R)に、+4.0dBm、1kHzの信号を加えたとき、各出力端子(1L-4R)に+4dBm \pm 1.5dBの信号が得られることを確認します。

また、入力信号のレベルを徐々に上げていったとき、出力信号のレベルが+6.0dBm \pm 1.5dBの範囲で、出力信号にクリップ波形が現れることを確認します。

(出力信号の波形観測は、歪率計のモニター出力で確認することが望ましい。また、テストは各出力を代表して1Lと1Rだけを実行してもよい。)

テストJ D/Aコンバーターのノイズチェック

このテストが起動されると、DEQ-LSIの出力が0に固定されますので、各出力端子(1L-4R)のノイズレベルを測定することにより、D/Aコンバーター以後の回路の特性上のバラツキや不良を確認することができます。

■ 検査

・準備

特に指定のない限り、フロントパネルとリアパネルのボリュームおよびスイッチは、下記の状態とする。

1. OUTPUTレベルコントロール(1L-4R)：最大
2. OUTPUTレベルスイッチ(+4dB/-6dB)：+4dB
3. PROTECTスイッチ(OFF/MEMORY/KEY)：OFF
4. OUTPUT(1L-4R)の各端子に600 Ω /1P以上の負荷を接続する
5. テストプログラムを起動する

1. 利得

ANALOG INPUT(L, R)より1kHz/+4.0dBmの信号を加えたとき、OUTPUT(1L-4R)の各端子には+4.0dBm \pm 1.0dBの出力が得られること。

2. 周波数特性

ANALOG INPUT(L, R)より1kHz/+4.0dBmの信号を加えたとき、OUTPUT(1L-4R)の各端子で得られる出力信号の周波数特性は、1kHzを基準として20Hz-20kHzの間で0dB+0.5dB/0dB-1.0dB以内のこと。

また、テストプログラム9を実行してエンファシス回路をONしたときの周波数特性も、同様のこと。

3. 歪率

ANALOG INPUT(L, R)より1kHz/+24.0dBmの信号を加えたとき、OUTPUT(1L-4R)の各端子で得られるクリップ直前の出力信号の歪率は、0.007%以下のこと。

また、テストプログラム9を実行してエンファシス回路をONしたときにOUTPUT(1L-4R)の各端子で得られるクリップ直前の出力信号の歪率は、0.005%以下のこと。なお、歪率の測定は電源スイッチをONしてから3分以上経過してから行うこと。

4. 最大出力

ANALOG INPUT(L, R)より1kHz/+4.0dBmの信号を加え、このレベルを徐々に上げていったとき、OUTPUT(1L-4R)の各端子には+24.0dBmの出力信号が歪率3%以下で得られること。

5. ノイズレベル

ANLOG INPUT(L, R)の2番ピンと3番ピンの間を150オームの抵抗で接続したときのOUTPUT(1L-4R)の各端子のノイズレベルは、-78dBm以下のこと。

また、テストプログラム9を実行してエンファシス回路をONしたときのノイズレベルは、-81.0dBm以下のこと。なお、ノイズレベルの測定は電源スイッチをONしてから3分以上経過してから行うこと。

6 入力レベルメーターと出力クリップインジケーター

ANLOG INPUT(L, R)より1kHz/+25.0dBmの信号を加えたとき、入力レベルメーターはL、Rともに[CLIP]から[-42]までの全てのLEDが点灯すること。

このとき、1L-4Rの出力クリップインジケーターも全て点灯すること。

その後、入力信号のレベルを+20.0dBmにしたとき、[CLIP]のLEDが消灯すること。

さらに入力レベルを-6dBステップで下げていったとき、[-6dB]、[-12]……とLEDが順番に消灯していき、入力レベルが-22.0dBmになったときは全てのLEDが消灯すること。

7 出力レベルスイッチ

ANLOG INPUT(L, R)より1kHz/+4.0dBmの信号を加え、出力レベルスイッチを[-6dB]側にセットしたとき、OUTPUT(1L-4R)の各端子には-6.0dBm±1.5dBの出力が得られること。

8 ミューティング回路

電源スイッチをONした後、2秒-4秒の間OUTPUT(1L-4R)の各端子には信号が出力されないこと。また、電源スイッチをOFFしたときは、速やかにミューティングがかかり、大きなクリックノイズが発生しないこと。

9 デジタル信号受信回路

9-1 テストプログラムAを起動した後、AES/EBU入力端子に、フルスケール/1kHzのAES/EBUフォーマットのデジタル信号を加えたとき、各出力端子(1L-4R)に+24dBm±1.0dBの信号が歪率0.007%以下で得られること。(ヤマハ A/Dコンバーター AD2Xなどを使用して下さい)

9-2 テストプログラムBを起動した後、Y2入力端子に、フルスケール/1kHzのYAMAHA-LSIフォーマットのデジタル信号を加えたとき、各出力端子(1L-4R)に+24dBm±1.0dBの信号が歪率0.007%以下で得られること。

(ヤマハ A/Dコンバーター AD2Xなどを使用して下さい)

10 測定器

1 歪率測定時は、80kHz、-6dB/octのフィルターを使用すること。

2 ノイズレベル測定時は、12.7kHz、-6dB/octのフィルターを使用すること。

3 発信器の出力インピーダンスは、600Ω以下のこと。

4 測定器の入力インピーダンスは、1MΩ以上のこと。

■RAMのイニシャライズ

1 チャンネルの[PEQ/D. ATT]キーと3チャンネルの[LIMIT/COMP]キーを押しながら電源スイッチをONすると、RAMの内容がイニシャライズされると共に、各パラメーターが初期値に設定されます。

DIGITAL CHANNEL DIVIDER

D2040

PARTS LIST

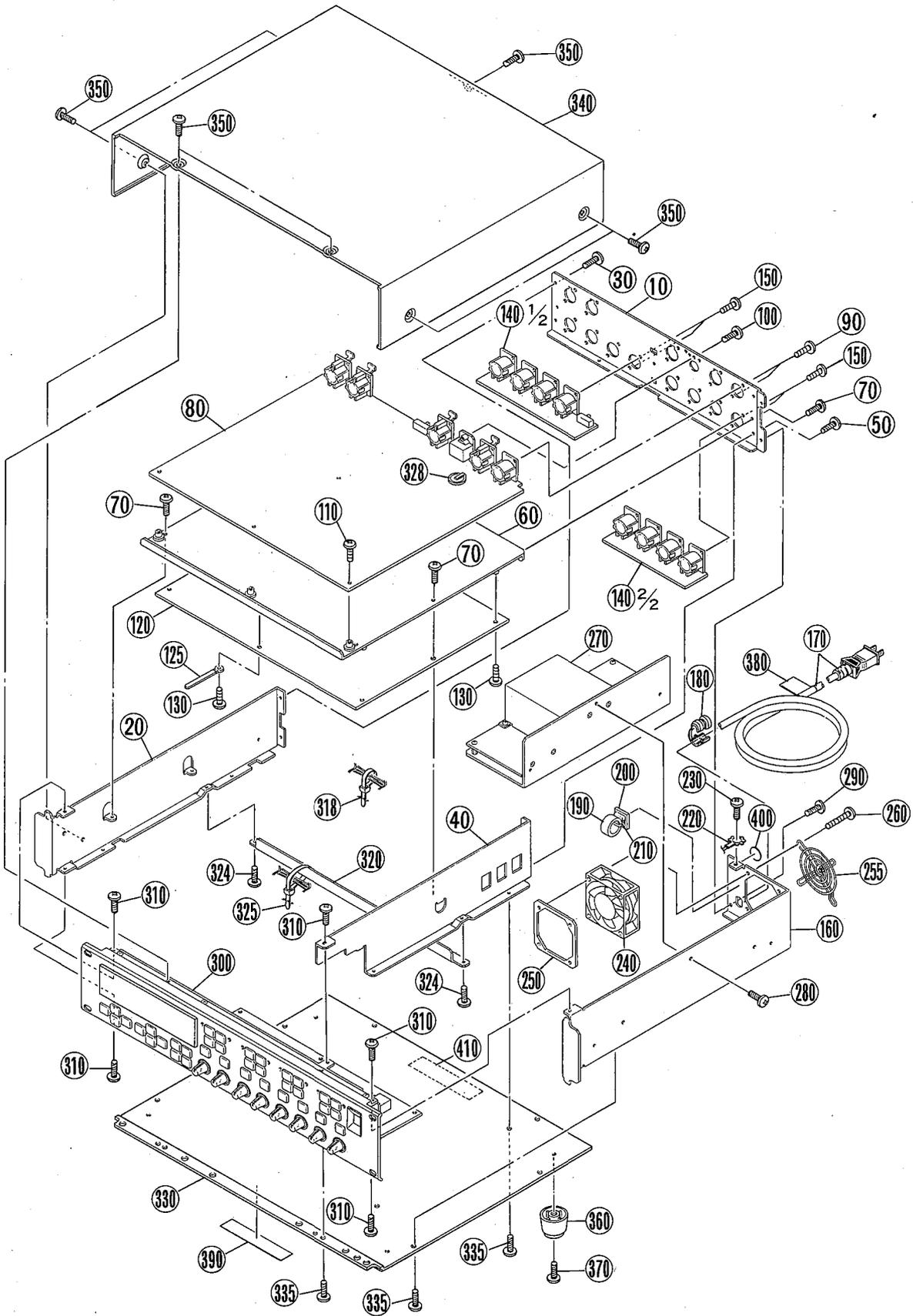
■ CONTENTS (目次)

OVERALL ASSEMBLY (総組立).....	1
FRONT PANEL ASSEMBLY (フロントパネルAss'y).....	3
TOP CAP ASSEMBLY (トップキャップAss'y).....	4
ELECTRICAL PARTS (電気部品).....	5
POWER SUPPLY UNIT (電源ユニット).....	8

Notes DESTINATION ABBREVIATIONS

A : Australian model	J : Japanese model
B : British model	M : South African model
C : Canadian model	Q : South-east Asia model
D : German model	U : U.S.A. model
E : European model	V : General export model (110V)
F : French model	W : General export model (220V)
G : Belgian model	X : General export model
H : North European model	Y : Export model
I : Indonesian model	

OVERALL ASSEMBLY (総組立)

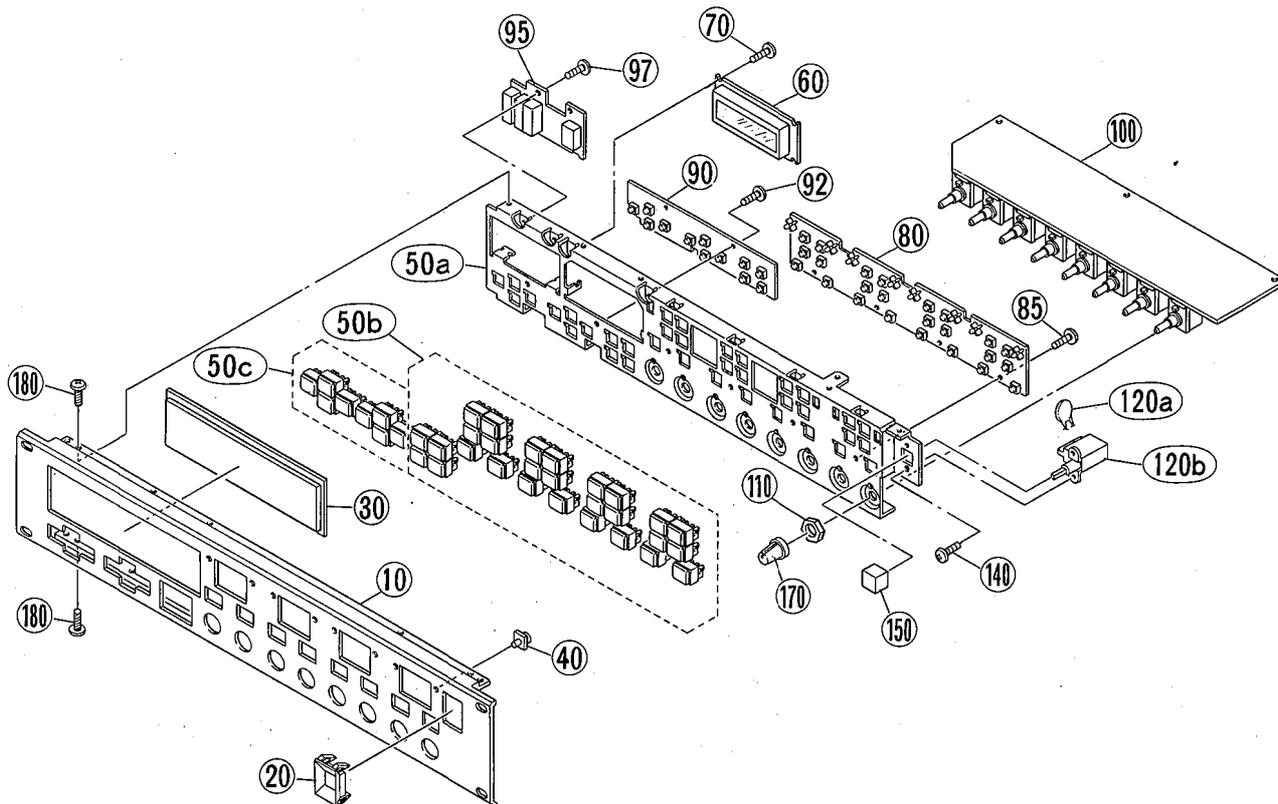


D2040

Ref. No.	Part No.	Description	部品名	Remarks	ランク
		<OVERALL ASSEMBLY>			
10	VL993000	Rear Panel		D2040	13
20	VL993100	Side Panel	Left		13
30	VC569900	Bind Head Tapping Screw-B	A3.0X8 FCM3BL	サイドパネル (左) + バインド B タイト	2pcs
40	VL993600	Stay			11
50	VC569900	Bind Head Tapping Screw-B	A3.0X8 FCM3BL	+ バインド B タイト	2pcs
60	VL993700	Shield Sheet		シールド板	14
70	VC569900	Bind Head Tapping Screw-B	A3.0X8 FCM3BL	+ バインド B タイト	7pcs
80	VM452700	Circuit Board	CPU	CPU シート	
90	VD330000	Bonding Head Screw	3.0X8 FCM3BL	ボンディング小ネジ	10pcs
100	VD890900	Bind Head Tapping Screw-P	A3.0X10 FCM3BL	+ バインド P タイト	1pc.
110	EP630310	Bind Head Tapping Screw-C	A3.0X6 FCM3BL	+ バインド C タイト	4pcs
120	VM452900	Circuit Board	DA	DA シート	
125	CB817510	Cord Clamper	S-14B	束線止め	1pc.
130	EP630310	Bind Head Tapping Screw-C	A3.0X6 FCM3BL	+ バインド C タイト	6pcs
140	VM454000	Circuit Board	CN	CN シート	1/2, 2/2
150	VD330000	Bonding Head Screw	3.0X8 FCM3BL	ボンディング小ネジ	16pcs
160	VL993200	Side Panel	Right	サイドパネル (右)	J
160	VL993300	Side Panel	Right	サイドパネル (右)	U, C, V
160	VL993400	Side Panel	Right	サイドパネル (右)	H
160	VL993500	Side Panel	Right	サイドパネル (右)	B
170	HG000610	AC Cord	15A 2.1m	電源コード	J
170	VD279600	AC Cord	10A 2.5m	電源コード	U, C, V
170	VD279800	AC Cord	6A 2.5m	電源コード	H
170	VH890200	AC Cord	10A 2.5m	電源コード	B
180	CB806850	Cord Strain Relief	SR-6N3-4	コードストッパー	J, U, C, V
180	CB032840	Cord Strain Relief	SR-5N-4	コードストッパー	H, B
190	VC362700	Ferrite Core	FR25/15/12	フェライトコア	
200	CB835590	Ring Holder	TMS-20	バンド固定具	1pc.
210	CB069250	Cord Clamper	BK-1	束線止め	1pc.
220	LA003690	Lug Terminal		端子	U, C, V, H, B 1pc.
230	VB778900	Bind Head Tapping Screw-B	A4.0X8 FCM3BL	+ バインド B タイト	U, C, V, H, B 1pc.
240	VM987100	Fan	MMS-06D12DM	軸流ファン	
250	VM964700	Holder, Fan		ファン固定金具	
255	VN003900	Finger Guard		フィンガード	09
260	VE702700	Bind Head Screw	SP4.0X35 FCM3BL	+ バインド小ネジ	4pcs
270	VL886900	Power Supply Unit		電源ユニット	J, U, C, V
270	VL887000	Power Supply Unit		電源ユニット	H, B
280	VC569900	Bind Head Tapping Screw-B	A3.0X8 FCM3BL	+ バインド B タイト	3pcs
290	VC569900	Bind Head Tapping Screw-B	A3.0X8 FCM3BL	+ バインド B タイト	2pcs
295	--	Connector Assembly	DA-CPU L=120	束線フロントパネル Ass'y	(VM65410)
300	--	Front Panel Assembly			(VM49440)
310	VC569900	Bind Head Tapping Screw-B	A3.0X8 FCM3BL	+ バインド B タイト	5pcs
312	--	Connector Assembly	PH&PH 8P 400L	束線	CPU-PS (VM65630)
313	--	Connector Assembly	PH&PH 9P 400L	束線	PS-DA (VM65640)
314	--	Connector Assembly	PH&PH 6P 140L	束線	PS-DA (VM65610)
315	--	Connector Assembly	PH&PH 7P 250L	束線	CPU-PS (VM65620)
316	--	Connector Assembly	PH&PH 5P 300L	束線	CPU-PS (VM65600)
317	--	Connector Assembly	VR Shield	束線	DA-VR (VM65360)
318	CB069250	Cord Clamper	BK-1	インシュロックタイ	6pcs
320	VM766600	Angle Bracket		線材固定金具	09
324	VC791600	Bind Head Tapping Screw-B	A3.0X6 FCM3BL	+ バインド B タイト	2pcs
325	CB069250	Cord Clamper	BK-1	インシュロックタイ	6pcs
328	VN103500	Lithium Battery	CR2032	リチウム電池	J
330	VL994000	Bottom Cover		ボトムカバー	11
335	VC569900	Bind Head Tapping Screw-B	A3.0X8 FCM3BL	+ バインド B タイト	10pcs
340	VL993900	Top Cover		トップカバー	17
350	VC569900	Bind Head Tapping Screw-B	A3.0X8 FCM3BL	+ バインド B タイト	7pcs
360	CB651110	Foot	TL-014	トランレグ	4pcs
370	EP600840	Bind Head Tapping Screw-B	3.0X16 FCM3BL	+ バインド B タイト	4pcs
380	--	Label, AC Cord		コード注意ラベル	B (VH09670)
390	--	Label, Caution		注意書	U, C, V (CB81344)
400	--	Earth Mark		アースマーク	H, B (CA06069)
410	--	Label		ラベル	U, C, V (VM99880)

*New Parts (新規部品) Part No.欄が"-"の部品は、補修用部品として準備されていません。

FRONT PANEL ASSEMBLY (フロントパネルAss'y)



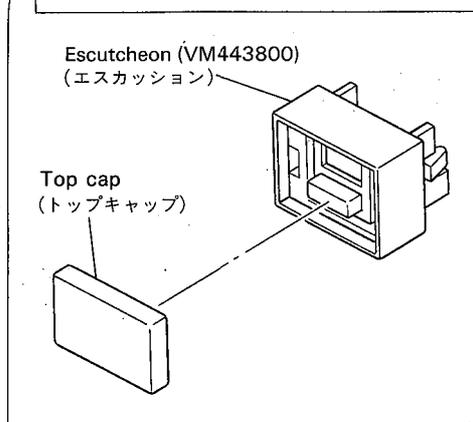
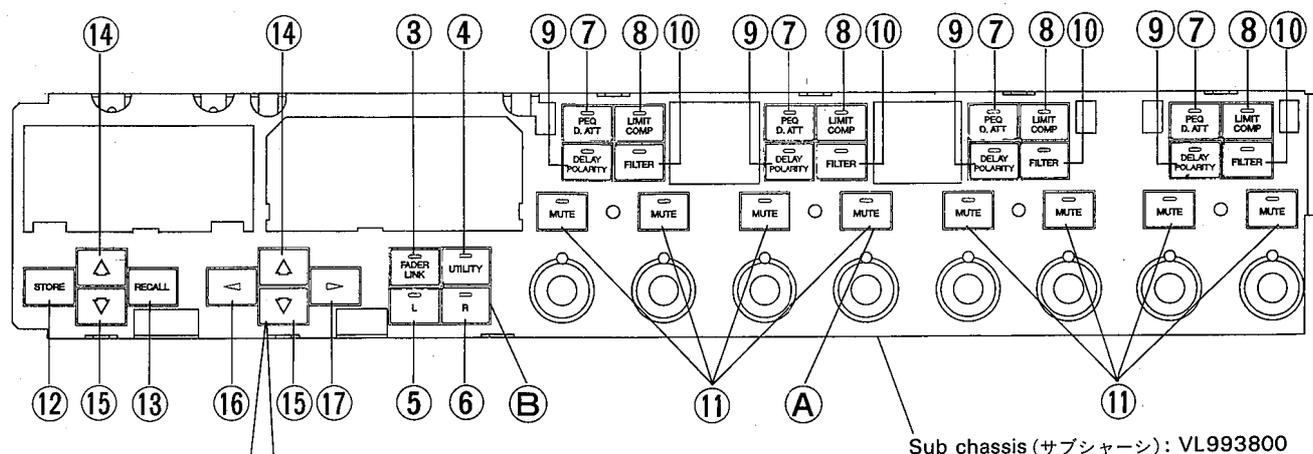
D2040

Ref. No.	Part No.	Description	部品名	Remarks	ランク
		<FRONT PANEL ASSEMBLY>	<フロントパネルAss'y>	D2040	
* 10	VL994100	Front Panel	フロントパネル		17
* 20	VL813000	Escutcheon, PSW	PSW エスカッション	POWER	03
* 30	VL994200	Meter Cover	メーターカバー		18
* 40	VM463600	Lens, LED	LED レンズ	8pcs (VM49450)	04
* 50	--	Keyboard Assembly	キーボード Ass'y		
* 50a	VL993800	Sub Chassis	サブシャーシ		19
* 50b	VM494600	Top Cap Assembly	トップキャップ Ass'y		
* 50c	VM494700	Top Cap Assembly	トップキャップ Ass'y		
* 60	VM654600	LCD Assembly	LCD Ass'y		16
* 60a	VH203400	LCD	液晶ディスプレイ		
* 60b	--	Connector Assembly	液線	(VM65430)	
* 70	--	Bind Head Screw	2.6X5 FCM3BL	2pcs (0378601)	
* 80	VM453400	Circuit Board	FP1		01
* 85	EP630310	Bind Head Tapping Screw-C	A3.0X6 FCM3BL	4pcs	
* 90	VM453600	Circuit Board	FP2		01
* 92	EP630310	Bind Head Tapping Screw-C	A3.0X6 FCM3BL	2pcs	
* 95	VM453800	Circuit Board	FP3		01
* 97	EP630310	Bind Head Tapping Screw-C	A3.0X6 FCM3BL	2pcs	
* 100	VM453100	Circuit Board	VR		01
* 110	VC364900	Hexagonal Nut	9.0 FCM3BL	8pcs	
* 120	--	Connector Assembly	POWER	(VM65370)	
* 120a	FI383470	Ceramic Cap.	4700P 400V		01
* 120b	VE454100	Push Switch	ESB-8278V-F	POWER	03
* 120c	LB101710	Connector Pin	SVH-21T-P1.1		01
* 120d	LB015030	Connector Housing	3P		01
* 140	VB511300	Bind Head Screw	A3.0X8 FCM3BL	2pcs	01
* 150	VL812900	Knob, Power Switch	BL	POWER	03
* 170	VM463700	Knob, Volume	BL	8pcs	04
* 180	VC569900	Bind Head Tapping Screw-B	A3.0X8 FCM3BL	6pcs	01

*New Parts (新規部品) Part No.欄が"--"の部品は、補修用部品として準備されていません。

ランク : Japan only

TOP CAP ASSEMBLY (トップキャップ Ass'y)



Ref. No.	Part No.	Description	部品名	Remarks	ランク
*	VM494600	<TOP CAP ASSEMBLY>	<トップキャップ Ass'y>	D2040	
3	--	Top Cap, with Lens	トップキャップ	(VM46740)	
4	--	Top Cap, with Lens	トップキャップ	(VM46750)	
5	--	Top Cap, with Lens	トップキャップ	(VM46760)	
6	--	Top Cap, with Lens	トップキャップ	(VM46770)	
7	--	Top Cap, with Lens	トップキャップ	(VM46780)	
8	--	Top Cap, with Lens	トップキャップ	(VM46790)	
9	--	Top Cap, with Lens	トップキャップ	(VM46800)	
10	--	Top Cap, with Lens	トップキャップ	(VM46810)	
11	--	Top Cap, with Lens	トップキャップ	(VM46820)	
A	--	Escutcheon	エスカッション	28pcs (VM44380)	
*	VM494700	<TOP CAP ASSEMBLY>	<トップキャップ Ass'y>		
12	--	Top Cap	トップキャップ	(VM46830)	
13	--	Top Cap	トップキャップ	(VM46840)	
14	--	Top Cap	トップキャップ	(VM46850)	
15	--	Top Cap	トップキャップ	(VM46860)	
16	--	Top Cap	トップキャップ	(VM46870)	
17	--	Top Cap	トップキャップ	(VM46880)	
B	--	Escutcheon	エスカッション	8pcs (VM44380)	

*New Parts (新規部品) Part No.欄が"--"の部品は、補修用部品として準備されていません。

ランク: Japan only

ELECTRICAL PARTS (電気部品)

Ref. No.	Part No.	Description	部品名	Remarks	ランク	
**	VM452700	Circuit Board	CPU	CPUシート	D2040	
**	VM452900	Circuit Board	DA	DAシート		
**	VM453100	Circuit Board	VR	VRシート		
**	VM453400	Circuit Board	FP1	FP1シート		
**	VM453600	Circuit Board	FP2	FP2シート		
**	VM453800	Circuit Board	FP3	FP3シート		
**	VM454000	Circuit Board	CN	CNシート		
*	VM452700	Circuit Board	CPU	CPUシート		
*	IG102500	IC	NE5532P	IC	OP AMP.	06
*	XA013A00	IC	M5238P	IC	OP AMP.	
*	XG945A00	IC	M5278L05	IC	+5V REGULATOR	01
*	XG946A00	IC	M5279L05	IC	-5V REGULATOR	02
*	XH970A00	IC	M62021L	IC	RESET IC	04
*	IG031000	IC	NJM2903	IC	COMPARATOR	05
*	XC552A00	IC	BA6208	IC	MOTOR DRIVER	04
*	XH595A00	IC	897021	IC	RS IN	05
*	IR000050	IC	SN74HC00N	IC	NAND	03
*	IR000250	IC	SN74HC02N	IC	NOR	03
*	IR000450	IC	SN74HC04N	IC	INVERTER	03
*	IR000850	IC	SN74HC08N	IC	AND	03
*	IR001450	IC	SN74HC14N	IC	INVERTER	05
*	IR003250	IC	SN74HC32N	IC	OR	03
*	IR007450	IC	SN74HC74N	IC	D-FF	04
*	IR013850	IC	SN74HC138N	IC	DECODER 3-8	05
*	IR015750	IC	SN74HC157N	IC	DATA-SELECTOR	02
*	IR024450	IC	SN74HC244	IC	BUS-BUFFER	07
*	IR027350	IC	SN74HC273N	IC	D-FF OCTAL	05
*	IR039350	IC	SN74HC393N	IC	COUNTER	04
*	XC571A00	IC	AN26LS32PC	IC	LINE RECEIVER	05
*	XJ703A00	IC	SN75176BP	IC	BUS-TRANSCIEVER	07
*	IG147300	IC	HD63B50P	IC	ACIA	09
*	XD245A00	IC	HD63B03YP-N	IC	CPU	08
*	XG517A00	IC	LC3664RL-12	IC	SRAM 64K	08
*	XK030A00	IC		IC	EP ROM	
*	XC354A00	IC	YM3818	IC	DSPM	11
*	XE788A00	IC	YM6104	IC	DEQ2	11
*	XE798A00	IC	YM3934	IC	PMM2	12
*	XG740A00	IC	ADC0809CCN	IC	ADC	09
*	XG898A00	IC	AK5327-VP	IC	ADC	19
*	XG948C00	IC	YM3436BG	IC	DIR2	10
*	XA457A00	IC	MS51464-12NC	IC	DRAM 256K	08
*	XJ801A00	IC	MSM41464-10	IC	DRAM 256K	07
*	XD853A00	IC	NJM7815FA	IC	+15V REGULATOR	03
*	XE403A00	IC	uPC7815HF	IC	+15V REGULATOR	02
*	XD854A00	IC	NJM7915FA	IC	-15V REGULATOR	03
*	IC1815M0	Transistor	2SC1815 Y,GR	トランジスタ		01
*	VF072800	Digital Transistor	DTB143EF	デジタルトランジスタ		01
*	VF074800	Transistor Array	BA6212	トランジスタアレイ		05
*	VJ041400	Transistor Array	TD62381P	トランジスタアレイ		04
*	VK456300	Transistor Array	TD62783AP	トランジスタアレイ		04
*	VB481900	Diode	11ES4	ダイオード		01
*	VB941200	Diode	1SS133,1SS176	ダイオード		01
*	VA093700	Zener Diode	MTZ4.7C 4.7V	ツェナーダイオード		
*	VN686900	Carbon Resistor	56Ω 1/2 F	カーボン抵抗	RMA	
*	VN687400	Carbon Resistor	2KΩ 1/2 F	カーボン抵抗	RMA	
*	VN687700	Carbon Resistor	3KΩ 1/2 F	カーボン抵抗	RMA	
*	VN687900	Carbon Resistor	4.7KΩ 1/2 F	カーボン抵抗	RMA	
*	VN688000	Carbon Resistor	5.1KΩ 1/2 F	カーボン抵抗	RMA	
*	VN688200	Carbon Resistor	6.8KΩ 1/2 F	カーボン抵抗	RMA	
*	VN688400	Carbon Resistor	10KΩ 1/2 F	カーボン抵抗	RMA	
*	VN688500	Carbon Resistor	12KΩ 1/2 F	カーボン抵抗	RMA	
*	VB060900	Metal Film Resistor	22.0Ω 1/4 F	金属被膜抵抗		01
*	VB061900	Metal Film Resistor	56.0Ω 1/4 F	金属被膜抵抗		01
*	VB062600	Metal Film Resistor	100.0Ω 1/4 F	金属被膜抵抗		01
*	VB064100	Metal Film Resistor	470.0Ω 1/4 F	金属被膜抵抗		01
*	VB065000	Metal Film Resistor	910.0Ω 1/4 F	金属被膜抵抗		01
*	VA074100	Metal Film Resistor	4.7KΩ 1/4 F	金属被膜抵抗		01
*	VA074400	Metal Film Resistor	10.0KΩ 1/4 F	金属被膜抵抗		01
*	VB065900	Metal Film Resistor	1.5KΩ 1/4 F	金属被膜抵抗		01
*	VB066400	Metal Film Resistor	2.4KΩ 1/4 F	金属被膜抵抗		01
*	VB066600	Metal Film Resistor	3.0KΩ 1/4 F	金属被膜抵抗		01
*	VB066700	Metal Film Resistor	3.3KΩ 1/4 F	金属被膜抵抗		01
*	VB068100	Metal Film Resistor	22.0KΩ 1/4 F	金属被膜抵抗		01
*	VB069200	Metal Film Resistor	68.0KΩ 1/4 F	金属被膜抵抗		01
*	HI209900	Solid Resistor	10.0MΩ 1/4 K	ソリッド抵抗		01
*	HT560060	Trimmer Potentiometer	B 5.0KΩ 3P	半固定ボリューム	Gain adj.	05
*	VE443500	Resistor Array	RGLD4X103J	抵抗アレイ		01
*	VE445200	Resistor Array	RGLD8X103J	抵抗アレイ		01

D2040

*New Parts (新規部品) Part No.欄が“-”の部品は、補修用部品として準備されていません。

Ref. No.	Part No.	Description	部品名	Remarks	ランク	
	VE017600	Electrolytic Cap.	10uF 16V	ケミコン	DUOREX	01
	VE018400	Electrolytic Cap.	22uF 25V	ケミコン	DUOREX	01
	VE018600	Electrolytic Cap.	47uF 25V	ケミコン	DUOREX	01
	VI550200	Electrolytic Cap.	220uF 35V	ケミコン	DUOREX	01
	VE017300	Electrolytic Cap.	220uF 10V	ケミコン	DUOREX	01
	UJ828470	Electrolytic Cap.	470uF 10V	ケミコン		01
	FU451180	Maica Capacitor	18pF 500V J	マイカコン		01
	FU451680	Maica Capacitor	68pF 500V J	マイカコン		01
	VC694800	Semiconductive Cera. Cap.	0.1uF 25V Z	半導体セラコン		01
	VI550500	Monolithic Mylar Cap.	0.01uF 50V J	積層マイラコン		01
	VI550600	Monolithic Mylar Cap.	0.1uF 50V J	積層マイラコン		01
	VJ663100	Monolithic Mylar Cap.	0.22uF 50V J	積層マイラコン		01
	FZ006920	EMI Filter	LS MT B271KB	LCフィルター EMI		01
	FZ006970	EMI Filter	LS MT Y223NB	LCフィルター EMI		02
	GE300610	Ferrite Bead	BLO2RN1-R62T4	フェライトビーズ		01
	VA928400	Noise Filter DIP	DIPD-08C2	ノイズフィルター DIP		05
	VI552000	Quartz Crystal Unit	AF2138CG	水晶振動子	12.288MHz	03
	VL306800	Quartz Crystal Unit	AT-49	水晶振動子	4.9152MHz	03
	VI575400	Slide Switch	SSSU12 2/3	スライドスイッチ	PROTECT	02
	VM642500	DIN Jack	8P YKF51-5031	DINジャック	DIGITAL IN-Y2	
	VL958600	XLM-Connector	XLM-3-31PCV	キャノンジャック	ANALOG IN,RS485 DIGITAL IN-AES RS485	
	VL958700	XLM-Connector	XLM-3-32PCV	キャノンジャック		06
	VD613500	Relay	DC AG 8023	リレー		
	VM657500	Relay	DC SY-3	リレー		
	VN103600	Holder, Battery		バッテリーホルダー		01
	VB438700	Angle Bracket, Earth		アース金具	(VL18470)	
	--	IC Socket	DICF-28CS-E	ICソケット		03
	BA808520	Heat Sink	T220M 25L	ヒートシンク		
	EP630360	Bind Head Tapping Screw-C	A3.0X8 FCM3BL	ナパインドCタイト	2pcs	
	VM452900	Circuit Board	DA	DAシート		
	IG102500	IC	NE5532P	IC	OP AMP.	06
	XA013A00	IC	M5238P	IC	OP AMP.	
	XA507A00	IC	AN78N05	IC	+5V REGULATOR	02
	XG780A00	IC	AN79N05	IC	-5V REGULATOR	02
	IR001450	IC	SN74HC14N	IC	INVERTER	05
	IR003250	IC	SN74HC32N	IC	OR	03
	IR024450	IC	SN74HC244	IC	BUS-BUFFER	07
	XH987A00	IC	PCM63P-Y	IC	DAC	17
	XK280A00	IC	YSF210	IC	DIGITAL FILTER	10
	XD853A00	IC	NJM7815FA	IC	+15A REGULATOR	03
	XE403A00	IC	uPC7815HF	IC	+15V REGULATOR	02
	XD854A00	IC	NJM7915FA	IC	-15V REGULATOR	03
	IA067310	Transistor	2SA873A C,D	トランジスタ		01
	IA101590	Transistor	2SA1015 O,Y	トランジスタ		01
	IC121310	Transistor	2SC1213A C,D	トランジスタ		01
	IC1815M0	Transistor	2SC1815 Y,GR	トランジスタ		01
	VB481900	Diode	11ES4	ダイオード		01
	VB941200	Diode	1SS133,1SS176	ダイオード		01
	VN688900	Carbon Resistor	56Ω 1/2 F	カーボン抵抗	RMA	
	VN687000	Carbon Resistor	75Ω 1/2 F	カーボン抵抗	RMA	
	VN687400	Carbon Resistor	2KΩ 1/2 F	カーボン抵抗	RMA	
	VN687500	Carbon Resistor	2.2KΩ 1/2 F	カーボン抵抗	RMA	
	VN687600	Carbon Resistor	2.7KΩ 1/2 F	カーボン抵抗	RMA	
	VN687900	Carbon Resistor	4.7KΩ 1/2 F	カーボン抵抗	RMA	
	VN688400	Carbon Resistor	10KΩ 1/2 F	カーボン抵抗	RMA	
	VN688600	Carbon Resistor	22KΩ 1/2 F	カーボン抵抗	RMA	
	VN688700	Carbon Resistor	24KΩ 1/2 F	カーボン抵抗	RMA	
	VB060100	Metal Film Resistor	10.0Ω 1/4 F	金属被膜抵抗		01
	VB062900	Metal Film Resistor	150.0Ω 1/4 F	金属被膜抵抗		01
	VB064000	Metal Film Resistor	430.0Ω 1/4 F	金属被膜抵抗		01
	VB064100	Metal Film Resistor	470.0Ω 1/4 F	金属被膜抵抗		01
	VA074400	Metal Film Resistor	10.0KΩ 1/4 F	金属被膜抵抗		01
	VB065500	Metal Film Resistor	1.0KΩ 1/4 F	金属被膜抵抗		01
	VB068800	Metal Film Resistor	47.0KΩ 1/4 F	金属被膜抵抗		01
	VB070400	Metal Film Resistor	220KΩ 1/4 F	金属被膜抵抗		01
	VB070800	Metal Film Resistor	330KΩ 1/4 F	金属被膜抵抗		01
	HT560060	Trimmer Potentiometer	B 5.0KΩ 3P	半固定ボリューム	OUT level adj.	05
	VJ663900	Trimmer Potentiometer	B 200KΩ 3P	半固定ボリューム	Distortion adi.	07
	VE020100	Electrolytic Cap.	4.7uF 50V	ケミコン	DUOREX	01
	VE018400	Electrolytic Cap.	22uF 25V	ケミコン	DUOREX	01
	VE023500	Electrolytic Cap.	33uF 16V	ケミコン	DUOREX	01
	VE018600	Electrolytic Cap.	47uF 25V	ケミコン	DUOREX	01
	VI550200	Electrolytic Cap.	220uF 35V	ケミコン	DUOREX	01
	FU451330	Maica Capacitor	33pF 500V J	マイカコン		01
	VC694800	Semiconductive Cera. Cap.	0.10uF 25V Z	半導体セラコン		01
	VI550800	Monolithic Mylar Cap.	1.0uF 50V J	積層マイラコン		03
	VJ663000	Monolithic Mylar Cap.	0.022uF 50V J	積層マイラコン		01

*New Parts (新規部品) Part No.欄が"-"の部品は、補修用部品として準備されていません。

ランク: Japan only

D2040

Ref. No.	Part No.	Description	部品名	Remarks	ランク
	VJ663100	Monolithic Mylar Cap.	0.22uF 50V J	積層マイラーコン	01
	GE300610	Ferrite Bead	BL02RN1-R62T4	フェライトビーズ	01
	FZ006970	EMI Filter	LS-MT Y223NB	LCフィルター EMI	02
	VE463400	Quartz Crystal Unit	AT-51	水晶振動子	04
	VD613500	Relay	DC AG 8023	リレー	06
	--	Heat Sink	T220N(19) 25L	ヒートシンク	(VJ65570)
	EP630360	Bind Head Tapping Screw-C	A 3.0X8 FCM3BL	+ バインド C タイト	4pcs
*	VM453100	Circuit Board	VR	V R シート	OUTPUT LEVEL
*	VM642600	Variable Resistor	RK18112MC004A	電動ロータリー V R	
	VE659000	Semiconductive Cera. Cap.	0.1000 25V Z	半導体セラコン	01
	--	Connector Assembly	SAN&PH 9P 250L	束線	VR-CPU (VM65530)
	--	Connector Assembly	SAN&PH 12P 100L	束線	VR-CPU (VM65590)
*	VM453400	Circuit Board	FP1	F P 1 シート	
	VB941200	Diode	ISS133,ISS176	ダイオード	01
	VG149600	LED	GL1HD212 RE	L E D	24pcs
	VI860200	LED	GL3HD43 RE	L E D	CLIP
*	VM664500	Push Switch	SKHHAK	プッシュスイッチ	24pcs
*	VM642400	Spacer, LED		L E D スパースー	8pcs
	--	Connector Assembly	SAN&PH 8P 160L	束線	→ CPU (VM65510)
	--	Connector Assembly	SAN&PH 10P 160L	束線	→ CPU (VM65550)
	--	Connector Assembly	SAN&PH 11P 200L	束線	→ CPU (VM65580)
*	VM453600	Circuit Board	FP2	F P 2 シート	
	IF003450	Diode	ISS133	ダイオード	01
	VG149600	LED	GL1HD212 RE	L E D	01
*	VM664500	Push Switch	SKHHAK	プッシュスイッチ	PARAM LINK
	--	Connector Assembly	SAN&PH 6P 180L	束線	12pcs
	--	Connector Assembly	SAN&PH 9P 300L	束線	→ CPU (VM65490)
	--	Connector Assembly			→ CPU (VM65540)
*	VM453800	Circuit Board	FP3	F P 3 シート	
	VA039100	LED Display	SX-25J	L E D ディスプレイ	INPUT LEVEL
	VI575100	LED Display	LN516RK	L E D ディスプレイ	MODE INDICATOR
*	VM914500	LED Display	SX-25A	L E D ディスプレイ	MEMORY
	--	Connector Assembly	SAN&PH 10P 200L	束線	→ CPU (VM65560)
	--	Connector Assembly	SAN&PH 11P 120L	束線	→ CPU (VM65570)
*	VM454000	Circuit Board	CN	C N シート	
	FZ007050	EMI Filter	MT-B271KB	LCフィルター EMI	01
	VG502300	Slide Switch	SSSU12	スライドスイッチ	OUTPUT LEVEL
	VL958700	XLM-Connector	XLM-3-32PCV	スキヤノンジャック	ANALOG-L.R
	--	Connector Assembly	CN1 Shield	束線	DA-CN1 (VM65310)
	--	Connector Assembly	CN2 Shield	束線	DA-CN2 (VM65320)
	--	Connector Assembly	CN3 Shield	束線	DA-CN1 (VM65330)
	--	Connector Assembly	CN4 Shield	束線	DA-CN2 (VM65340)
	--	Connector Assembly	CN5 Shield	束線	DA-CN1 (VM65350)
	MG000610	AC Cord	15A 2.1m	電源コード	J
	VD279600	AC Cord	10A 2.5m	電源コード	U.C.V
	VD279800	AC Cord	6A 2.5m	電源コード	H
	VH890200	AC Cord	10A 2.5m	電源コード	B
					06
					08
					08
					09
*	VL886900	Power Supply Unit		電源ユニット	J,U,C,V
*	VL887000	Power Supply Unit		電源ユニット	H,B
	VC362700	Ferrite Core	FR25/15/12	フェライトコア	1400L
*	VM987100	Fan	MMS-06D12DM	軸流ファン	
	VN103500	Lithium Battery	CR2032	リチウム電池	
	VE454100	Push Switch	ESB-8278V-F	プッシュスイッチ	POWER
*	VM654600	LCD Assembly	16X2	L C D Ass'y	
	VH203400	LCD	LM16X221	液晶ディスプレイ	
	--	Connector Assembly	LCD-CPU L=100	束線	(VM65430)
					16

D2040

■POWER SUPPLY UNIT (電源ユニット)

Ref. No.	Part No.	Description	部品名	Remarks	ランク
		<POWER SUPPLY UNIT>	<電源ユニット>	D2040	
	VL886900	Power Supply Unit	電源ユニット	J,U,C,V D2040	
	VL887000	Power Supply Unit	電源ユニット	H,B	
	XI184A00	IC	IC	REGULATOR	04
	IG033250	IC	IC	REGULATOR	05
	IX801910	IC	IC	REGULATOR	03
	IX805930	Photo Coupler	フォトカプラー		06
	IC265500	Transistor	トランジスタ		01
	ID052630	Transistor	トランジスタ		04
	IC181510	Transistor	トランジスタ		01
	IA101521	Transistor	トランジスタ		01
	IX806390	FET	FET	J,U,C,V	05
	IX806400	FET	FET	H,B	06
	IX805850	Diode	ダイオード		02
	IF001380	Diode	ダイオード		01
	IX805610	Diode	ダイオード		03
	IX551720	Diode	ダイオード		03
	IF003010	Zener Diode	ツェナーダイオード		01
	IF003180	Zener Diode	ツェナーダイオード		01
	IX800610	Diode Stack	ダイオードスタック	J,U,C,V	05
	IX001140	Diode Stack	ダイオードスタック	H,B	05
	IX552070	Thermistor	サーミスタ		03
	HX806480	Metal Oxide Film Resistor	酸化金属被膜抵抗	J,U,C,V	
	HX806490	Metal Oxide Film Resistor	酸化金属被膜抵抗	H,B	
	HX806500	Metal Oxide Film Resistor	酸化金属被膜抵抗	J,U,C,V	
	HX806510	Metal Oxide Film Resistor	酸化金属被膜抵抗	H,B	
	HX806520	Metal Oxide Film Resistor	酸化金属被膜抵抗		
	HX806530	Metal Oxide Film Resistor	酸化金属被膜抵抗	J,U,C,V	
	HX806540	Metal Oxide Film Resistor	酸化金属被膜抵抗	H,B	
	HX806550	Metal Oxide Film Resistor	酸化金属被膜抵抗		
	--	Flame Proof C. Resistor	不燃化カーボン抵抗		
	HT570540	Trimmer Potentiometer	半固定抵抗		02
	FX800840	Electrolytic Cap.	ケミコン	J,U,C,V	
	FX800850	Electrolytic Cap.	ケミコン	H,B	
	--	Electrolytic Cap.	ケミコン		
	--	Electrolytic Cap.	ケミコン		
	--	Electrolytic Cap.	ケミコン		
	FX800860	Metalized Capacitor	メタライズドコン		
	FX800830	Film Capacitor	フィルムコン		
	VA879600	Ceramic Capacitor	セラコン		01
	VA879900	Ceramic Capacitor	セラコン		01
	FI384100	Ceramic Capacitor	セラコン		01
	FG744100	Ceramic Capacitor	セラコン		01
	FX800810	Ceramic Capacitor	セラコン	J,U,C,V	
	FX800820	Ceramic Capacitor	セラコン	H,B	
	GX803210	Common Mode Coil	コモンモードコイル		
	GX803220	Common Mode Coil	コモンモードコイル		
	GX803230	Choke Coil	チョークコイル		
	GX803240	EMI Filter	EMIフィルター		
	GX803250	Power Transformer	電源トランス	J,U,C,V	
	GX803260	Power Transformer	電源トランス	H,B	
	KX802770	Thermostat	サーモスタット	J,U,C,V	05
	VG806000	Fuse	ヒューズ	J,U,C,V	03
	KX802750	Fuse	ヒューズ	H,B	
	LB201530	Fuse Holder	ヒューズホルダー	J,U,C,V	01
	EC030040	Flat Head Screw	皿ネジ	4pcs/3pcs	
	EG330360	Bind Head Screw	皿ネジ	7pcs	
	EC030030	Flat Head Screw	皿ネジ	1pcs	
	--	Transistor Holder	トランジスタ押さえ板	Q1,D3	
	--	Diode Holder	ダイオード押さえ板	IC1,F2	
	--	IC Holder	IC押さえ板	Q1	
	--	Spacer	六角スパーサー	4pcs	
	--	Chassis	シャーシ		
	--	Shield Case	シールドケース		

*New Parts (新規部品) Part No.欄が“--”の部品は、補修用部品として準備されていません。

ランク：Japan only

D2040

