



### IMPORTANT NOTICE

This manual has been provided for the use of authorized Yamaha Retailers and their service personnel. It has been assumed that basic service procedures inherent to the industry, and more specifically Yamaha Products, are already known and understood by the users, and have therefore not been restated.

**WARNING :** Failure to follow appropriate service and safety procedures when servicing this product may result in personal injury, destruction of expensive components and failure of the product to perform as specified. For these reasons, we advise all Yamaha product owners that all service required should be performed by an authorized Yamaha Retailer or the appointed service representative.

**IMPORTANT :** This presentation or sale of this manual to any individual or firm does not constitute authorization certification, recognition of any applicable technical capabilities, or establish a principal-agent relationship of any form.

The data provided is believed to be accurate and applicable to the unit(s) indicated on the cover. The research engineering, and service departments of Yamaha are continually striving to improve Yamaha products. Modifications are, therefore, inevitable and changes in specification are subject to change without notice or obligation to retrofit. Should any discrepancy appear to exist, please contact the distributor's Service Division.

**WARNING :** Static discharges can destroy expensive components. Discharge any static electricity your body may have accumulated by grounding yourself to the ground bus in the unit (heavy gauge black wires connect to this bus.)

**IMPORTANT :** Turn the unit OFF during disassembly and parts replacement. Recheck all work before you apply power to the unit.

### WARNING: CHEMICAL CONTENT NOTICE!


The solder used in the production of this product contains LEAD. In addition, other electrical/electronic and/or plastic (Where applicable) components may also contain traces of chemicals found by the California Health and Welfare Agency (and possibly other entities) to cause cancer and/or birth defects or other reproductive harm.

**DO NOT PLACE SOLDER, ELECTRICAL/ELECTRONIC OR PLASTIC COMPONENTS IN YOUR MOUTH FOR ANY REASON WHATSOEVER SO EVER!**

Avoid prolonged, unprotected contact between solder and your skin! When soldering, do not inhale solder fumes or expose eyes to solder/flux vapor!

If you come in contact with solder or components located inside the enclosure of this product, wash your hands before handling food.

## ■ WARNING

Components having special characteristics are marked  and must be replaced with parts having specification equal to those originally installed.

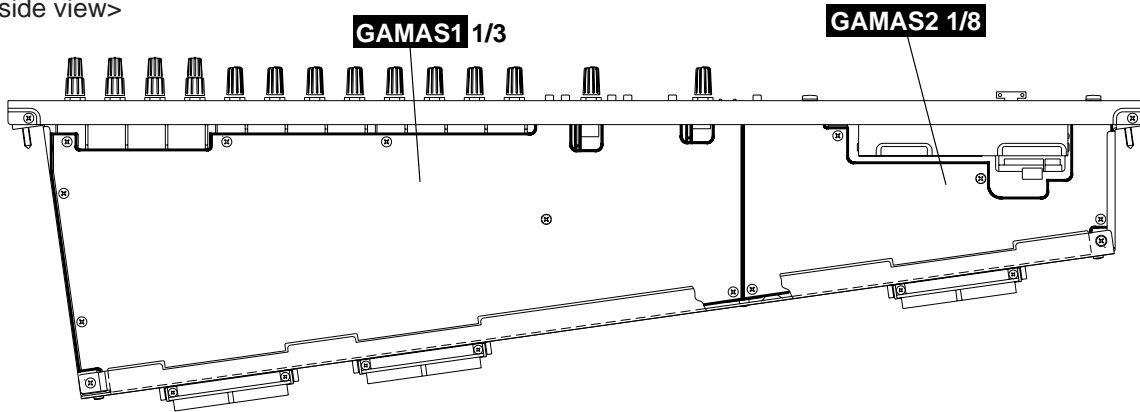


印の商品は、安全を維持するために重要な部品です。交換する場合は、安全のために必ず指定の部品をご使用ください。

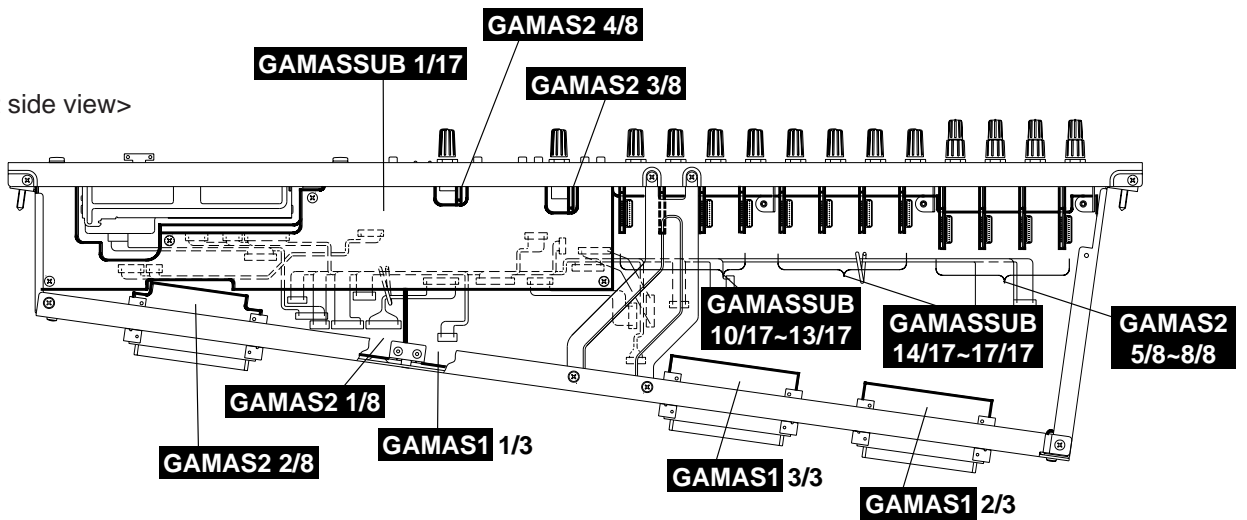
# ■ CIRCUIT BOARD LAYOUT (ユニットレイアウト)

## ● GROUP/AUX MASTER MODULE (G/A マスターモジュール)

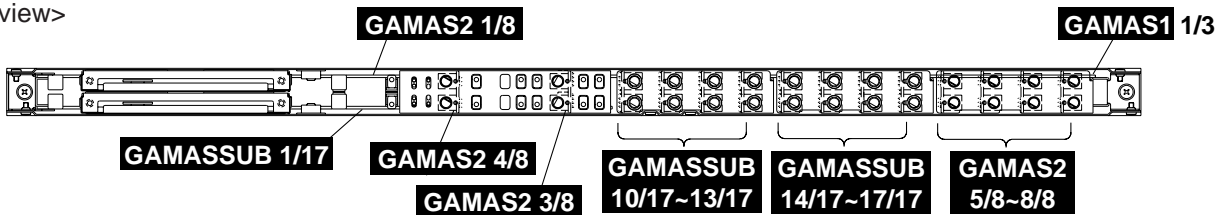
<Left side view>



<Right side view>



<Top view>



## ■ PANEL LAYOUT ( パネルレイアウト )

Please refer to 7 page of PM5000 service manual.  
( PM5000 サービスマニュアルの 7 ページを参照してください。 )

## ■ DISASSEMBLY PROCEDURE ( 分解手順 )

Please refer to the following item about a disassembly procedure.  
( 分解手順については下記の項目を参照してください。 )

|   |    |
|---|----|
| 39. GROUP/AUX Master Module ( G/A マスターモジュール ).....        | 66 |
| DISASSEMBLY PROCEDURE OF MODULE ( モジュール部の分解 ).....        | 73 |
| • GROUP/AUX MASTER Module Section ( G/A マスターモジュール部 )..... | 85 |

## ■ LSI PIN DESCRIPTION ( LSI 端子機能表 )

Please refer to 96 page of PM5000 service manual.  
( PM5000 サービスマニュアルの 96 ページを参照してください。 )

## ■ IC BLOCK DIAGRAM ( IC ブロック図 )

Please refer to 102 page of PM5000 service manual.  
( PM5000 サービスマニュアルの 102 ページを参照してください。 )

## ■ CIRCUIT BOARDS (シート基板図)

Please refer to the following item about a circuit boards.

(シート基板図については下記の項目を参照してください。)

|  |         |
|--|---------|
| GAMAS1 1/3 Circuit Board (X2924B0) .....     | 152/154 |
| GAMAS1 2/3 Circuit Board (X2924B0) .....     | 152/154 |
| GAMAS1 3/3 Circuit Board (X2924B0) .....     | 152/154 |
| GAMAS1 1/3 Circuit Board (X2924C0) .....     | 156/158 |
| GAMAS1 2/3 Circuit Board (X2924C0) .....     | 156/158 |
| GAMAS1 3/3 Circuit Board (X2924C0) .....     | 156/158 |
| GAMAS2 1/8 Circuit Board (X2925B0) .....     | 160/161 |
| GAMAS2 2/8 Circuit Board (X2925B0) .....     | 160/161 |
| GAMAS2 3/8 Circuit Board (X2925B0) .....     | 162     |
| GAMAS2 4/8 Circuit Board (X2925B0) .....     | 162     |
| GAMAS2 5/8 Circuit Board (X2925B0) .....     | 162     |
| GAMAS2 6/8 Circuit Board (X2925B0) .....     | 163     |
| GAMAS2 7/8 Circuit Board (X2925B0) .....     | 163     |
| GAMAS2 8/8 Circuit Board (X2925B0) .....     | 163     |
| GAMASSUB 1/17 Circuit Board (X2926B0) .....  | 176/177 |
| GAMASSUB 2/17 Circuit Board (X2926B0) .....  | 178     |
| GAMASSUB 3/17 Circuit Board (X2926B0) .....  | 178     |
| GAMASSUB 4/17 Circuit Board (X2926B0) .....  | 178     |
| GAMASSUB 5/17 Circuit Board (X2926B0) .....  | 178     |
| GAMASSUB 6/17 Circuit Board (X2926B0) .....  | 179     |
| GAMASSUB 7/17 Circuit Board (X2926B0) .....  | 179     |
| GAMASSUB 8/17 Circuit Board (X2926B0) .....  | 179     |
| GAMASSUB 9/17 Circuit Board (X2926B0) .....  | 179     |
| GAMASSUB 10/17 Circuit Board (X2926B0) ..... | 180     |
| GAMASSUB 11/17 Circuit Board (X2926B0) ..... | 180     |
| GAMASSUB 12/17 Circuit Board (X2926B0) ..... | 180     |
| GAMASSUB 13/17 Circuit Board (X2926B0) ..... | 180     |
| GAMASSUB 14/17 Circuit Board (X2926B0) ..... | 181     |
| GAMASSUB 15/17 Circuit Board (X2926B0) ..... | 181     |
| GAMASSUB 16/17 Circuit Board (X2926B0) ..... | 181     |
| GAMASSUB 17/17 Circuit Board (X2926B0) ..... | 181     |

# GROUP/AUX MASTER MODULE

# GAM5000

# PARTS LIST


## ■ CONTENTS(目次)


|                               |   |
|-------------------------------|---|
| OVERALL ASSEMBLY(同梱品セット)..... | 2 |
| ELECTRICAL PARTS(電気部品).....   | 5 |

## Notes : DESTINATION ABBREVIATIONS

|                          |                                 |
|--------------------------|---------------------------------|
| A : Australian model     | M : South African model         |
| B : British model        | O : Chinese model               |
| C : Canadian model       | Q : South-east Asia model       |
| D : German model         | T : Taiwan model                |
| E : European model       | U : U.S.A. model                |
| F : French model         | V : General export model (110V) |
| H : North European model | W : General export model (220V) |
| I : Indonesian model     | N,X: General export model       |
| J : Japanese model       | Y : Export model                |
| K : Korean model         |                                 |

## ■ WARNING

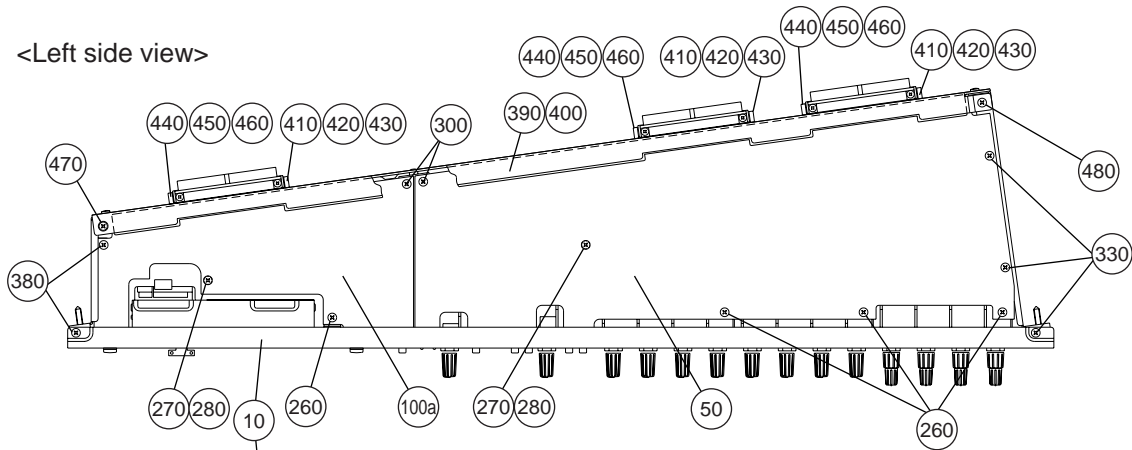
Components having special characteristics are marked  and must be replaced with parts having specification equal to those originally installed.

 印の部品は、安全を維持するために重要な部品です。交換する場合は、安全のために必ず指定の部品をご使用ください。

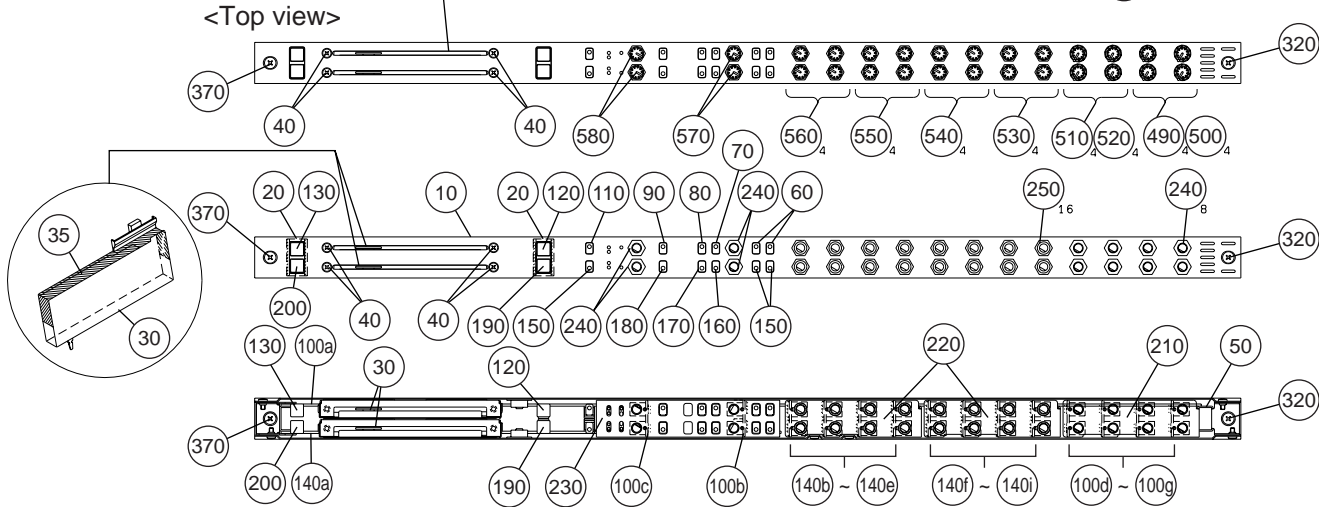
- The numbers "QTY" show quantities for each unit.
- The parts with "--" in "PART NO." are not available as spare parts.
- This mark "}" in the REMARKS column means these parts are interchangeable.
- The second letter of the shaded (■) part number is O, not zero.
- The second letter of the shaded (■) part number is I, not one.
- 部品価格ランクは、変更になることがあります。
- QTY欄に記されている数字は、各ユニット当たりの使用個数です。
- PART NO.が"--"の部品は、サービス用部品として準備されておりません。
- REMARKS欄の"}"マークの部品は、併用部品です。
- 網掛けの付いたPART NO. の2番目の文字は「ゼロ」ではなく、「オー」です。
- 網掛けの付いたPART NO. の2番目の文字は「イチ」ではなく、「アイ」です。

OVERALL ASSEMBLY(同梱品セット)

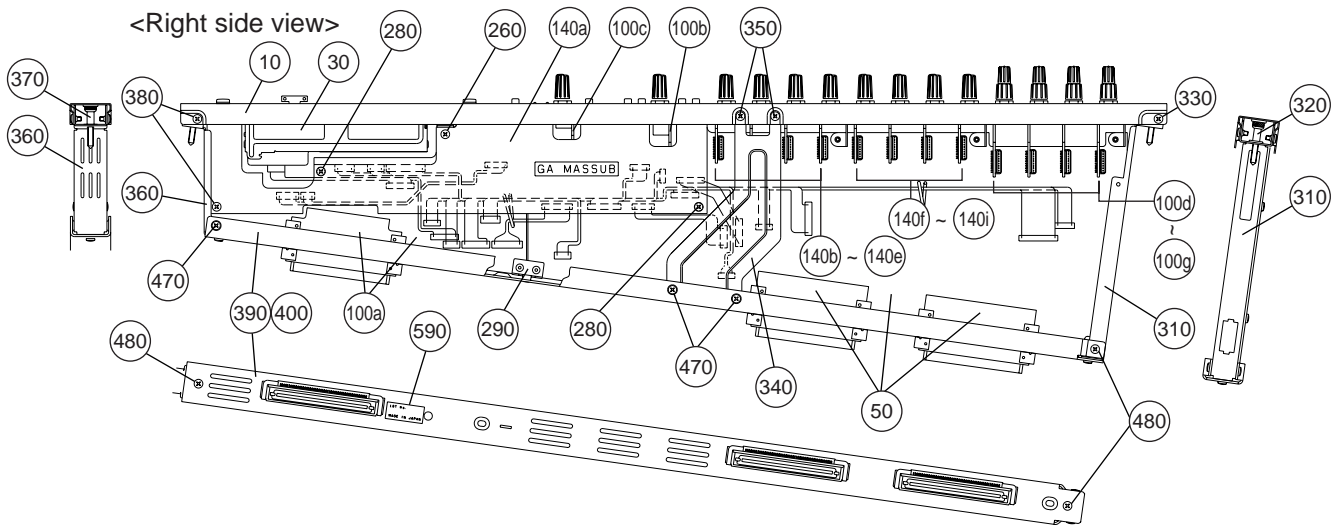
<Left side view>



<Top view>



<Right side view>



| REF NO. | PART NO. | DESCRIPTION               | 部 品 名               | REMARKS                 | QTY                              | RANK  |
|---------|----------|---------------------------|---------------------|-------------------------|----------------------------------|-------|
|         | --       | OVERALL ASSEMBLY          | 同 梱 品 セ ッ ト         | GAM5000                 |                                  |       |
|         | --       | Overall Assembly          | 同 梱 品 セ ッ ト         | J (WA37520)             |                                  |       |
|         | --       | Overall Assembly          | 同 梱 品 セ ッ ト         | Y (WA37530)             |                                  |       |
|         | --       | GROUP/AUX Module          | G / A モ ジ ュ ー ル     | (V996200)               |                                  |       |
| 10      | V9872300 | MD Panel                  | G/A                 | M D パ ネ ル G / A         |                                  |       |
| 20      | WA012200 | Escutcheon L, MD          | x2 BLUE             | M D エ ス カ ッ シ ョ ン L     |                                  |       |
| 30      | V8367800 | Slide Variable Resistor   | D 10.0K RSA0K11K9   | ス ラ イ ド V R 1 0 0       | GROUP/AUX                        | 10    |
| 35      | VT177400 | Fader Felt                | 150                 | フ ェ ー ダ ー フ ェ ル ト       |                                  | 03    |
| 40      | VD780000 | Flat Head Tapping Screw-S | 3.0X6 MFZN2BL       | + 皿 S タ イ ト             |                                  | 01    |
| 50      | V9944100 | Circuit Board             | PM5K GAMAS1         | G A M A S 1 シ ー ト       |                                  |       |
| 60      | VS407900 | Push Button with Lens     | 5x8 M-GRAY          | プ ッ シ ュ ボ タ ン 5 x 8     | TO MATRIX,TB/OSC                 | 03    |
| 70      | VS408600 | Push Button with Lens     | 5x8 RED             | プ ッ シ ュ ボ タ ン 5 x 8     | TO ST                            | 03    |
| 80      | VS408100 | Push Button with Lens     | 5x8 YELLOW          | プ ッ シ ュ ボ タ ン 5 x 8     | TO MONO                          | 03    |
| 90      | VS408800 | Push Button with Lens     | 5x8 S-GRAY          | プ ッ シ ュ ボ タ ン 5 x 8     | INSERT                           | 03    |
| 100a    | AAx47900 | Circuit Board             | PM5K GAMAS2 1_2/8   | G A M A S 2 1 _ 2 シ ー ト | (V994440)                        |       |
| 100b    | AAx47910 | Circuit Board             | PM5K GAMAS2 3/8     | G A M A S 2 3 / 8 シ ー ト | (V994440)                        |       |
| 100c    | AAx47920 | Circuit Board             | PM5K GAMAS2 4/8     | G A M A S 2 4 / 8 シ ー ト | (V994440)                        |       |
| 100d    | AAx47930 | Circuit Board             | PM5K GAMAS2 5/8     | G A M A S 2 5 / 8 シ ー ト | (V994440)                        |       |
| 100e    | AAx47940 | Circuit Board             | PM5K GAMAS2 6/8     | G A M A S 2 6 / 8 シ ー ト | (V994440)                        |       |
| 100f    | AAx47950 | Circuit Board             | PM5K GAMAS2 7/8     | G A M A S 2 7 / 8 シ ー ト | (V994440)                        |       |
| 100g    | AAx47960 | Circuit Board             | PM5K GAMAS2 8/8     | G A M A S 2 8 / 8 シ ー ト | (V994440)                        |       |
| 110     | VS407900 | Push Button with Lens     | 5x8 M-GRAY          | プ ッ シ ュ ボ タ ン 5 x 8     | RECALL SAFE                      | 03    |
| 120     | WA015000 | Push Button               | L ASS'Y             | プ ッ シ ュ ボ タ ン ( L )     | ON                               |       |
| 130     | VN680200 | Push Button               | L ASS'Y             | プ ッ シ ュ ボ タ ン ( L )     | CUE                              | 05    |
| 140a    | AAx47970 | Circuit Board             | PM5K GAMASSUB 1/17  | G A M A S S U B シ ー ト   | (V994470)                        |       |
| 140b    | AAx48060 | Circuit Board             | PM5K GAMASSUB 10/17 | G A M A S S U B シ ー ト   | (V994470)                        |       |
| 140c    | AAx48070 | Circuit Board             | PM5K GAMASSUB 11/17 | G A M A S S U B シ ー ト   | (V994470)                        |       |
| 140d    | AAx48080 | Circuit Board             | PM5K GAMASSUB 12/17 | G A M A S S U B シ ー ト   | (V994470)                        |       |
| 140e    | AAx48090 | Circuit Board             | PM5K GAMASSUB 13/17 | G A M A S S U B シ ー ト   | (V994470)                        |       |
| 140f    | AAx48100 | Circuit Board             | PM5K GAMASSUB 14/17 | G A M A S S U B シ ー ト   | (V994470)                        |       |
| 140g    | AAx48110 | Circuit Board             | PM5K GAMASSUB 15/17 | G A M A S S U B シ ー ト   | (V994470)                        |       |
| 140h    | AAx48120 | Circuit Board             | PM5K GAMASSUB 16/17 | G A M A S S U B シ ー ト   | (V994470)                        |       |
| 140i    | AAx48130 | Circuit Board             | PM5K GAMASSUB 17/17 | G A M A S S U B シ ー ト   | (V994470)                        |       |
| 150     | VS407900 | Push Button with Lens     | 5x8 M-GRAY          | プ ッ シ ュ ボ タ ン 5 x 8     | TO MATRIX,TB/OSC,<br>RECALL SAFE | 3 03  |
| 160     | VS408600 | Push Button with Lens     | 5x8 RED             | プ ッ シ ュ ボ タ ン 5 x 8     | TO ST                            | 03    |
| 170     | VS408100 | Push Button with Lens     | 5x8 YELLOW          | プ ッ シ ュ ボ タ ン 5 x 8     | TO MONO                          | 03    |
| 180     | VS408800 | Push Button with Lens     | 5x8 S-GRAY          | プ ッ シ ュ ボ タ ン 5 x 8     | INSERT                           | 03    |
| 190     | WA015000 | Push Button               | L ASS'Y             | プ ッ シ ュ ボ タ ン ( L )     | ON                               |       |
| 200     | VN680200 | Push Button               | L ASS'Y             | プ ッ シ ュ ボ タ ン ( L )     | CUE                              | 05    |
| 210     | --       | MD VR Spacer              | AUX2                | M D V R ス ペ ー A U X 2   | (V990640)                        |       |
| 220     | --       | MD VR Spacer              | AUX1                | M D V R ス ペ ー A U X 1   | (V990630)                        | 2     |
| 230     | --       | MD VR Spacer              | AUX3                | M D V R ス ペ ー A U X 3   | (V990650)                        |       |
| 240     | VR991600 | Hexagonal Nut             | 7.0 11X2 MFZN2BL    | 管 用 ナ ッ ト 7 X 1 1 X 2   |                                  | 12 01 |
| 250     | VJ388000 | Hexagonal Nut             | 9.0 11X2 MFZN2BL    | 特 殊 六 角 ナ ッ ト           |                                  | 16 01 |
| 260     | EP630210 | Bind Head Tapping Screw-S | 3.0X6 MFZN2BL       | + バ イ ン ド S タ イ ト       |                                  | 5 01  |
| 270     | WC501000 | Support                   | TP-127-18           | 絶 縁 サ ポ ー ト             |                                  | 2     |
| 280     | EP630210 | Bind Head Tapping Screw-S | 3.0X6 MFZN2BL       | + バ イ ン ド S タ イ ト       |                                  | 4 01  |
| 290     | --       | PCB Holder, MD            |                     | M D P C B ホ ル ダ ー       | (V987320)                        |       |
| 300     | EP630210 | Bind Head Tapping Screw-S | 3.0X6 MFZN2BL       | + バ イ ン ド S タ イ ト       |                                  | 2 01  |
| 310     | --       | Rear Stay, MD             | IN                  | M D リ ア ス テ イ I N       | (V987290)                        |       |
| 320     | WA595800 | MD Screw                  | S                   | M D 特 殊 ネ ジ             |                                  |       |
| 330     | EP630210 | Bind Head Tapping Screw-S | 3.0X6 MFZN2BL       | + バ イ ン ド S タ イ ト       |                                  | 4 01  |
| 340     | --       | Center Stay, MD           | AUX                 | M D セ ン タ ー ス テ イ A U X | (V990560)                        |       |
| 350     | EP630210 | Bind Head Tapping Screw-S | 3.0X6 MFZN2BL       | + バ イ ン ド S タ イ ト       |                                  | 2 01  |
| 360     | --       | Front Stay, MD            | IN                  | M D フ ロ ン ト ス テ イ I N   | (V987260)                        |       |
| 370     | WA595800 | MD Screw                  | S                   | M D 特 殊 ネ ジ             |                                  |       |
| 380     | EP630210 | Bind Head Tapping Screw-S | 3.0X6 MFZN2BL       | + バ イ ン ド S タ イ ト       |                                  | 4 01  |
| 390     | --       | Bottom Stay, MD           | AUX                 | M D ボ ト ム ス テ イ A U X   | (V987340)                        |       |
| 400     | --       | Insulation Sheet, MD      | MAS                 | M D 絶 縁 シ ー ト M A S     | (V991830)                        |       |
| 410     | V9905300 | Connector Holder L, MD    | LEFT                | M D コ ネ ク タ ホ ル ダ ー L   |                                  | 3     |
| 420     | WA009300 | Bind Head Screw           | 2.6X12 MFZN2BL      | + バ イ ン ド 小 ネ ジ         |                                  | 3 01  |
| 430     | EP630210 | Bind Head Tapping Screw-S | 3.0X6 MFZN2BL       | + バ イ ン ド S タ イ ト       |                                  | 3 01  |
| 440     | V9905400 | Connector Holder R, MD    | RIGHT               | M D コ ネ ク タ ホ ル ダ ー R   |                                  | 3     |
| 450     | WA009300 | Bind Head Screw           | 2.6X12 MFZN2BL      | + バ イ ン ド 小 ネ ジ         |                                  | 3 01  |
| 460     | EP630210 | Bind Head Tapping Screw-S | 3.0X6 MFZN2BL       | + バ イ ン ド S タ イ ト       |                                  | 3 01  |
| 470     | VD780000 | Flat Head Tapping Screw-S | 3.0X6 MFZN2BL       | + 皿 S タ イ ト             |                                  | 4 01  |
| 480     | EP630210 | Bind Head Tapping Screw-S | 3.0X6 MFZN2BL       | + バ イ ン ド S タ イ ト       |                                  | 4 01  |
| 490     | V9996900 | Knob Lower                | S-GRAY/D-RED        | ノ ブ ( シ タ )             | ST MATRIX 1,2                    | 4     |
| 500     | WA000100 | Knob Upper                | S-GRAY/D-RED        | ノ ブ ( ウ エ )             | ST MATRIX 1,2                    | 4     |

\*: New Parts

RANK: Japan only





**ELECTRICAL PARTS(電気部品)**

| REF NO. | PART NO. | DESCRIPTION                | 部 品 名               | REMARKS                 | QTY                       | RANK |
|---------|----------|----------------------------|---------------------|-------------------------|---------------------------|------|
|         |          | ELECTRICAL PARTS           |                     | GAM5000                 |                           |      |
|         | V9944100 | Circuit Board              | PM5K GAMAS1         | G A M A S 1 シ ー ト       | MAS1 (X2924C0)            |      |
|         | AAx47900 | Circuit Board              | PM5K GAMAS2 1_2/8   | G A M A S 2 1 _ 2 シ ー ト | MAS2 (V994440)(X2925B0)   |      |
|         | AAx47910 | Circuit Board              | PM5K GAMAS2 3/8     | G A M A S 2 3 / 8 シ ー ト | MAS2 (V994440)(X2925B0)   |      |
|         | AAx47920 | Circuit Board              | PM5K GAMAS2 4/8     | G A M A S 2 4 / 8 シ ー ト | MAS2 (V994440)(X2925B0)   |      |
|         | AAx47930 | Circuit Board              | PM5K GAMAS2 5/8     | G A M A S 2 5 / 8 シ ー ト | MAS2 (V994440)(X2925B0)   |      |
|         | AAx47940 | Circuit Board              | PM5K GAMAS2 6/8     | G A M A S 2 6 / 8 シ ー ト | MAS2 (V994440)(X2925B0)   |      |
|         | AAx47950 | Circuit Board              | PM5K GAMAS2 7/8     | G A M A S 2 7 / 8 シ ー ト | MAS2 (V994440)(X2925B0)   |      |
|         | AAx47960 | Circuit Board              | PM5K GAMAS2 8/8     | G A M A S 2 8 / 8 シ ー ト | MAS2 (V994440)(X2925B0)   |      |
|         | AAx47970 | Circuit Board              | PM5K GAMASSUB 1/17  | G A M A S S U B シ ー ト   | MASSUB (V994470)(X2926B0) |      |
|         | AAx48060 | Circuit Board              | PM5K GAMASSUB 10/17 | G A M A S S U B シ ー ト   | MASSUB (V994470)(X2926B0) |      |
|         | AAx48070 | Circuit Board              | PM5K GAMASSUB 11/17 | G A M A S S U B シ ー ト   | MASSUB (V994470)(X2926B0) |      |
|         | AAx48080 | Circuit Board              | PM5K GAMASSUB 12/17 | G A M A S S U B シ ー ト   | MASSUB (V994470)(X2926B0) |      |
|         | AAx48090 | Circuit Board              | PM5K GAMASSUB 13/17 | G A M A S S U B シ ー ト   | MASSUB (V994470)(X2926B0) |      |
|         | AAx48100 | Circuit Board              | PM5K GAMASSUB 14/17 | G A M A S S U B シ ー ト   | MASSUB (V994470)(X2926B0) |      |
|         | AAx48110 | Circuit Board              | PM5K GAMASSUB 15/17 | G A M A S S U B シ ー ト   | MASSUB (V994470)(X2926B0) |      |
|         | AAx48120 | Circuit Board              | PM5K GAMASSUB 16/17 | G A M A S S U B シ ー ト   | MASSUB (V994470)(X2926B0) |      |
|         | AAx48130 | Circuit Board              | PM5K GAMASSUB 17/17 | G A M A S S U B シ ー ト   | MASSUB (V994470)(X2926B0) |      |
|         | V9944100 | Circuit Board              | PM5K GAMAS1         | G A M A S 1 シ ー ト       | MAS1 (X2924C0)            |      |
| 40      | --       | Jumper Wire                | 0.55                | ジ ャ ン パ ー 線             | (VA07890)                 |      |
| C101    | US063100 | Ceramic Capacitor-B (chip) | 1000P 50V K         | チ ッ プ セ ラ ( B )         |                           | 01   |
| C102    | US063100 | Ceramic Capacitor-B (chip) | 1000P 50V K         | チ ッ プ セ ラ ( B )         |                           | 01   |
| C103    | UR848220 | Electrolytic Cap.          | 220.00 25.0V        | ケ ミ コ ン                 |                           | 01   |
| C104    | US044220 | Ceramic Capacitor-B (chip) | 0.0220 25V K        | チ ッ プ セ ラ ( B )         |                           | 01   |
| C105    | US062220 | Ceramic Capacitor-SL(chip) | 220P 50V J          | チ ッ プ セ ラ ( S L )       |                           | 01   |
| C107    | US061330 | Ceramic Capacitor-CH(chip) | 33P 50V J           | チ ッ プ セ ラ ( C H )       |                           | 01   |
| C108    | UR848100 | Electrolytic Cap.          | 100.00 25.0V        | ケ ミ コ ン                 |                           | 01   |
| C109    | US062470 | Ceramic Capacitor-SL(chip) | 470P 50V J          | チ ッ プ セ ラ ( S L )       |                           | 01   |
| C110    | US061680 | Ceramic Capacitor-SL(chip) | 68P 50V J           | チ ッ プ セ ラ ( S L )       |                           | 01   |
| C111    | US064100 | Ceramic Capacitor-B (chip) | 0.0100 50V K        | チ ッ プ セ ラ ( B )         |                           | 01   |
| C112    | UR848100 | Electrolytic Cap.          | 100.00 25.0V        | ケ ミ コ ン                 |                           | 01   |
| C113    | US064100 | Ceramic Capacitor-B (chip) | 0.0100 50V K        | チ ッ プ セ ラ ( B )         |                           | 01   |
| C114    | UR848100 | Electrolytic Cap.          | 100.00 25.0V        | ケ ミ コ ン                 |                           | 01   |
| C115    | UR847470 | Electrolytic Cap.          | 47.00 25.0V         | ケ ミ コ ン                 |                           | 01   |
| C116    | UR847100 | Electrolytic Cap.          | 10.00 25.0V         | ケ ミ コ ン                 |                           | 01   |
| C117    | UA355100 | Mylar Capacitor            | 0.1000 50V J        | マ イ ラ ー コ ン             |                           | 01   |
| C136    | US145100 | Ceramic Capacitor-F (chip) | 0.1000 25V Z        | チ ッ プ セ ラ ( F )         |                           | 01   |
| -139    | US145100 | Ceramic Capacitor-F (chip) | 0.1000 25V Z        | チ ッ プ セ ラ ( F )         |                           | 01   |
| C142    | US145100 | Ceramic Capacitor-F (chip) | 0.1000 25V Z        | チ ッ プ セ ラ ( F )         |                           | 01   |
| C143    | US145100 | Ceramic Capacitor-F (chip) | 0.1000 25V Z        | チ ッ プ セ ラ ( F )         |                           | 01   |
| C144    | US064100 | Ceramic Capacitor-B (chip) | 0.0100 50V K        | チ ッ プ セ ラ ( B )         |                           | 01   |
| C145    | US064100 | Ceramic Capacitor-B (chip) | 0.0100 50V K        | チ ッ プ セ ラ ( B )         |                           | 01   |
| C146    | US063100 | Ceramic Capacitor-B (chip) | 1000P 50V K         | チ ッ プ セ ラ ( B )         |                           | 01   |
| C147    | US062470 | Ceramic Capacitor-SL(chip) | 470P 50V J          | チ ッ プ セ ラ ( S L )       |                           | 01   |
| C148    | US062470 | Ceramic Capacitor-SL(chip) | 470P 50V J          | チ ッ プ セ ラ ( S L )       |                           | 01   |
| C151    | US061680 | Ceramic Capacitor-SL(chip) | 68P 50V J           | チ ッ プ セ ラ ( S L )       |                           | 01   |
| C152    | US061680 | Ceramic Capacitor-SL(chip) | 68P 50V J           | チ ッ プ セ ラ ( S L )       |                           | 01   |
| C155    | UR847470 | Electrolytic Cap.          | 47.00 25.0V         | ケ ミ コ ン                 |                           | 01   |
| C156    | UR847470 | Electrolytic Cap.          | 47.00 25.0V         | ケ ミ コ ン                 |                           | 01   |
| C159    | US062100 | Ceramic Capacitor-SL(chip) | 100P 50V J          | チ ッ プ セ ラ ( S L )       |                           | 01   |
| C301    | UR848220 | Electrolytic Cap.          | 220.00 25.0V        | ケ ミ コ ン                 |                           | 01   |
| C302    | US044220 | Ceramic Capacitor-B (chip) | 0.0220 25V K        | チ ッ プ セ ラ ( B )         |                           | 01   |
| C303    | US062220 | Ceramic Capacitor-SL(chip) | 220P 50V J          | チ ッ プ セ ラ ( S L )       |                           | 01   |
| C305    | US061330 | Ceramic Capacitor-CH(chip) | 33P 50V J           | チ ッ プ セ ラ ( C H )       |                           | 01   |
| C306    | UR848100 | Electrolytic Cap.          | 100.00 25.0V        | ケ ミ コ ン                 |                           | 01   |
| C307    | US062470 | Ceramic Capacitor-SL(chip) | 470P 50V J          | チ ッ プ セ ラ ( S L )       |                           | 01   |
| C308    | US061680 | Ceramic Capacitor-SL(chip) | 68P 50V J           | チ ッ プ セ ラ ( S L )       |                           | 01   |
| C309    | UR847470 | Electrolytic Cap.          | 47.00 25.0V         | ケ ミ コ ン                 |                           | 01   |
| C310    | US064100 | Ceramic Capacitor-B (chip) | 0.0100 50V K        | チ ッ プ セ ラ ( B )         |                           | 01   |
| -313    | US064100 | Ceramic Capacitor-B (chip) | 0.0100 50V K        | チ ッ プ セ ラ ( B )         |                           | 01   |
| C314    | US145100 | Ceramic Capacitor-F (chip) | 0.1000 25V Z        | チ ッ プ セ ラ ( F )         |                           | 01   |
| C315    | US145100 | Ceramic Capacitor-F (chip) | 0.1000 25V Z        | チ ッ プ セ ラ ( F )         |                           | 01   |
| C316    | US062470 | Ceramic Capacitor-SL(chip) | 470P 50V J          | チ ッ プ セ ラ ( S L )       |                           | 01   |
| C317    | US062470 | Ceramic Capacitor-SL(chip) | 470P 50V J          | チ ッ プ セ ラ ( S L )       |                           | 01   |
| C318    | US061680 | Ceramic Capacitor-SL(chip) | 68P 50V J           | チ ッ プ セ ラ ( S L )       |                           | 01   |
| C319    | US061680 | Ceramic Capacitor-SL(chip) | 68P 50V J           | チ ッ プ セ ラ ( S L )       |                           | 01   |
| C320    | UR847470 | Electrolytic Cap.          | 47.00 25.0V         | ケ ミ コ ン                 |                           | 01   |
| C321    | UR847470 | Electrolytic Cap.          | 47.00 25.0V         | ケ ミ コ ン                 |                           | 01   |
| C338    | US145100 | Ceramic Capacitor-F (chip) | 0.1000 25V Z        | チ ッ プ セ ラ ( F )         |                           | 01   |

\*: New Parts

RANK: Japan only

| REF NO. | PART NO. | DESCRIPTION                | 部 品 名            | REMARKS           | QTY           | RANK |
|---------|----------|----------------------------|------------------|-------------------|---------------|------|
| C347    | US062100 | Ceramic Capacitor-SL(chip) | 100P 50V J       | チップセラ ( S L )     |               | 01   |
| * CN101 | WB913700 | Flat Cable Assembly        | MOD-BUS FLAT50   | 束 線               |               |      |
| * CN102 | WB913700 | Flat Cable Assembly        | MOD-BUS FLAT50   | 束 線               |               |      |
| CN103   | V8875700 | Connector                  | JE 17P TE        | J E コ ネ ク タ ー     |               | 02   |
| CN104   | V8810200 | Connector                  | JE 9P TE         | J E コ ネ ク タ ー     |               | 02   |
| CN105   | VB390100 | Connector Base Post        | PH 5P TE         | コネクタベースポスト        |               | 01   |
| CN106   | WB054400 | Connector Assembly         | MAS1SHIELD1      | 束 線               |               | 05   |
| CN107   | WB051000 | Connector Assembly         | KR&DA 9P 250L    | 束 線 # 2 6         |               | 05   |
| CN108   | WB052200 | Connector Assembly         | KR&DA 13P 500L   | 束 線 # 2 6         |               | 07   |
| CN109   | VB390100 | Connector Base Post        | PH 5P TE         | コネクタベースポスト        |               | 01   |
| * CN110 | WB822100 | Connector Assembly         | KR&DA 6P 250L    | 束 線 # 2 6         |               |      |
| CN111   | VB390400 | Connector Base Post        | PH 8P TE         | コネクタベースポスト        |               | 01   |
| CN112   | VB390300 | Connector Base Post        | PH 7P TE         | コネクタベースポスト        |               | 01   |
| CN113   | VB390200 | Connector Base Post        | PH 6P TE         | コネクタベースポスト        |               | 01   |
| CN120   | WB082800 | Connector Assembly         | SAN&PH 5P 300L   | 束 線 # 2 4         |               |      |
| CN501   | V8875600 | Connector                  | JE 13P TE        | J E コ ネ ク タ ー     |               | 02   |
| -504    | V8875600 | Connector                  | JE 13P TE        | J E コ ネ ク タ ー     |               | 02   |
| CN505   | V8875500 | Connector                  | JE 7P TE         | J E コ ネ ク タ ー     |               | 01   |
| -512    | V8875500 | Connector                  | JE 7P TE         | J E コ ネ ク タ ー     |               | 01   |
| * CN901 | WB413700 | Receptacle                 | PHEC100R-R210    | レセプタクルベローズ        |               |      |
| * CN903 | WB413700 | Receptacle                 | PHEC100R-R210    | レセプタクルベローズ        |               |      |
| DA101   | VV556300 | Diode Array                | DAN217 0.3A X2   | ダイオードアレイ          |               | 01   |
| DA301   | VV556300 | Diode Array                | DAN217 0.3A X2   | ダイオードアレイ          |               | 01   |
| EM101   | WA093400 | LC Filter                  | ZJSR5101-223TA   | L C フィルター E M I   |               | 01   |
| IC101   | XT157A00 | IC                         | NJM4580ED        | I C               | OP AMP        | 02   |
| IC104   | XT157A00 | IC                         | NJM4580ED        | I C               | OP AMP        | 02   |
| IC106   | X4040A00 | IC                         | MM74HC4066SJX    | I C               | ANALOG SWITCH | 01   |
| IC107   | XY879A00 | IC                         | TC74HC4053AF(EL) | I C               | MULTIPLEXER   | 03   |
| -109    | XY879A00 | IC                         | TC74HC4053AF(EL) | I C               | MULTIPLEXER   | 03   |
| IC110   | XJ598A00 | IC                         | NJM78L05UA       | I C               | REGULATOR +5V | 02   |
| IC301   | XT157A00 | IC                         | NJM4580ED        | I C               | OP AMP        | 02   |
| IC304   | XT157A00 | IC                         | NJM4580ED        | I C               | OP AMP        | 02   |
| IC306   | XY879A00 | IC                         | TC74HC4053AF(EL) | I C               | MULTIPLEXER   | 03   |
| -308    | XY879A00 | IC                         | TC74HC4053AF(EL) | I C               | MULTIPLEXER   | 03   |
| J101    | --       | Jumper Wire                | 0.55             | ジ ャ ン パ ー 線       | (VA07890)     |      |
| J105    | --       | Jumper Wire                | 0.55             | ジ ャ ン パ ー 線       | (VA07890)     |      |
| J106    | --       | Jumper Wire                | 0.55             | ジ ャ ン パ ー 線       | (VA07890)     |      |
| J108    | --       | Jumper Wire                | 0.55             | ジ ャ ン パ ー 線       | (VA07890)     |      |
| J109    | --       | Jumper Wire                | 0.55             | ジ ャ ン パ ー 線       | (VA07890)     |      |
| J111    | --       | Jumper Wire                | 0.55             | ジ ャ ン パ ー 線       | (VA07890)     |      |
| -113    | --       | Jumper Wire                | 0.55             | ジ ャ ン パ ー 線       | (VA07890)     |      |
| J117    | --       | Jumper Wire                | 0.55             | ジ ャ ン パ ー 線       | (VA07890)     |      |
| -119    | --       | Jumper Wire                | 0.55             | ジ ャ ン パ ー 線       | (VA07890)     |      |
| J304    | --       | Jumper Wire                | 0.55             | ジ ャ ン パ ー 線       | (VA07890)     |      |
| -306    | --       | Jumper Wire                | 0.55             | ジ ャ ン パ ー 線       | (VA07890)     |      |
| K101    | VB966900 | Style Pin                  | IMSA-6024 L=35   | スタイルピン L = 3 5    |               | 01   |
| K501    | VB966900 | Style Pin                  | IMSA-6024 L=35   | スタイルピン L = 3 5    |               | 01   |
| LD101   | VJ471200 | LED Yellow                 | GL2HY6           | L E D             | SUM GAIN ON   | 01   |
| LD102   | V9076400 | LED Yellow                 | TLYU160          | L E D             | TB/OSC        | 01   |
| LD103   | VH325200 | LED Red                    | GL2PR6           | L E D             | Σ・PEAK L      | 01   |
| LD106   | V9076400 | LED Yellow                 | TLYU160          | L E D             | INSERT        | 01   |
| LD107   | V9076200 | LED Green                  | TLGU50T          | L E D             | TO ST         | 01   |
| LD108   | V9076200 | LED Green                  | TLGU50T          | L E D             | TO MONO       | 01   |
| LD109   | V9076400 | LED Yellow                 | TLYU160          | L E D             | TO MATRIX     | 01   |
| Q101    | V8603000 | Transistor                 | 2SA1312 BL       | ト ラ ン ジ ス タ       |               | 01   |
| -103    | V8603000 | Transistor                 | 2SA1312 BL       | ト ラ ン ジ ス タ       |               | 01   |
| Q104    | VV556400 | Transistor                 | 2SC2412K Q,R,S   | ト ラ ン ジ ス タ       |               | 01   |
| Q105    | VV556400 | Transistor                 | 2SC2412K Q,R,S   | ト ラ ン ジ ス タ       |               | 01   |
| Q106    | VV010500 | Pair Transistor            | IMT1A            | ペ ア ト ラ ン ジ ス タ   |               | 01   |
| Q107    | VV556400 | Transistor                 | 2SC2412K Q,R,S   | ト ラ ン ジ ス タ       |               | 01   |
| Q114    | VV556400 | Transistor                 | 2SC2412K Q,R,S   | ト ラ ン ジ ス タ       |               | 01   |
| Q115    | V8851000 | Transistor Array           | IMH2A            | ト ラ ン ジ ス タ ア レ イ |               | 01   |
| Q301    | V8603000 | Transistor                 | 2SA1312 BL       | ト ラ ン ジ ス タ       |               | 01   |
| -303    | V8603000 | Transistor                 | 2SA1312 BL       | ト ラ ン ジ ス タ       |               | 01   |
| R101    | WA027600 | Metal Film Resistor (chip) | 24.0K 1/10 D     | チ ッ プ 金 皮 抵 抗     |               | 01   |
| R102    | WA027600 | Metal Film Resistor (chip) | 24.0K 1/10 D     | チ ッ プ 金 皮 抵 抗     |               | 01   |
| R103    | RD358100 | Carbon Resistor (chip)     | 100.0K 63M J     | チ ッ プ 抵 抗         |               | 01   |
| R104    | RD357470 | Carbon Resistor (chip)     | 47.0K 63M J      | チ ッ プ 抵 抗         |               | 01   |
| R105    | RD355270 | Carbon Resistor (chip)     | 270.0 63M J      | チ ッ プ 抵 抗         |               | 01   |
| R106    | WA025000 | Metal Film Resistor (chip) | 470.0 1/10 D     | チ ッ プ 金 皮 抵 抗     |               | 01   |

\*: New Parts

RANK: Japan only

| REF NO. | PART NO. | DESCRIPTION                | 部 品 名         | REMARKS       | QTY | RANK |
|---------|----------|----------------------------|---------------|---------------|-----|------|
| R107    | RD355270 | Carbon Resistor (chip)     | 270.0 63M J   | チ ッ プ 抵 抗     |     | 01   |
| R108    | WA025800 | Metal Film Resistor (chip) | 2.4K 1/10 D   | チ ッ プ 金 皮 抵 抗 |     | 01   |
| R109    | WA025000 | Metal Film Resistor (chip) | 470.0 1/10 D  | チ ッ プ 金 皮 抵 抗 |     | 01   |
| R110    | WA027700 | Metal Film Resistor (chip) | 27.0K 1/10 D  | チ ッ プ 金 皮 抵 抗 |     | 01   |
| R111    | RD355100 | Carbon Resistor (chip)     | 100.0 63M J   | チ ッ プ 抵 抗     |     | 01   |
| R112    | WA026700 | Metal Film Resistor (chip) | 10.0K 1/10 D  | チ ッ プ 金 皮 抵 抗 |     | 01   |
| R113    | WA026700 | Metal Film Resistor (chip) | 10.0K 1/10 D  | チ ッ プ 金 皮 抵 抗 |     | 01   |
| R114    | RD354100 | Carbon Resistor (chip)     | 10.0 63M J    | チ ッ プ 抵 抗     |     | 01   |
| R115    | RD358100 | Carbon Resistor (chip)     | 100.0K 63M J  | チ ッ プ 抵 抗     |     | 01   |
| R116    | RD358100 | Carbon Resistor (chip)     | 100.0K 63M J  | チ ッ プ 抵 抗     |     | 01   |
| R117    | WA028200 | Metal Film Resistor (chip) | 100.0K 1/10 D | チ ッ プ 金 皮 抵 抗 |     | 01   |
| R118    | WA027800 | Metal Film Resistor (chip) | 36.0K 1/10 D  | チ ッ プ 金 皮 抵 抗 |     | 01   |
| R119    | RD358100 | Carbon Resistor (chip)     | 100.0K 63M J  | チ ッ プ 抵 抗     |     | 01   |
| R120    | RD358220 | Carbon Resistor (chip)     | 220.0K 63M J  | チ ッ プ 抵 抗     |     | 01   |
| R121    | RD355470 | Carbon Resistor (chip)     | 470.0 63M J   | チ ッ プ 抵 抗     |     | 01   |
| R122    | RD358100 | Carbon Resistor (chip)     | 100.0K 63M J  | チ ッ プ 抵 抗     |     | 01   |
| R123    | WA027300 | Metal Film Resistor (chip) | 18.0K 1/10 D  | チ ッ プ 金 皮 抵 抗 |     | 01   |
| R124    | WA027600 | Metal Film Resistor (chip) | 24.0K 1/10 D  | チ ッ プ 金 皮 抵 抗 |     | 01   |
| R125    | RD358100 | Carbon Resistor (chip)     | 100.0K 63M J  | チ ッ プ 抵 抗     |     | 01   |
| R126    | RD354680 | Carbon Resistor (chip)     | 68.0 63M J    | チ ッ プ 抵 抗     |     | 01   |
| R127    | RD355100 | Carbon Resistor (chip)     | 100.0 63M J   | チ ッ プ 抵 抗     |     | 01   |
| R128    | RD358470 | Carbon Resistor (chip)     | 470.0K 63M J  | チ ッ プ 抵 抗     |     | 01   |
| R130    | RD355100 | Carbon Resistor (chip)     | 100.0 63M J   | チ ッ プ 抵 抗     |     | 01   |
| R131    | RD355150 | Carbon Resistor (chip)     | 150.0 63M J   | チ ッ プ 抵 抗     |     | 01   |
| R163    | WA026900 | Metal Film Resistor (chip) | 12.0K 1/10 D  | チ ッ プ 金 皮 抵 抗 |     | 01   |
| -168    | WA026900 | Metal Film Resistor (chip) | 12.0K 1/10 D  | チ ッ プ 金 皮 抵 抗 |     | 01   |
| R169    | RD358100 | Carbon Resistor (chip)     | 100.0K 63M J  | チ ッ プ 抵 抗     |     | 01   |
| R171    | RD357100 | Carbon Resistor (chip)     | 10.0K 63M J   | チ ッ プ 抵 抗     |     | 01   |
| -174    | RD357100 | Carbon Resistor (chip)     | 10.0K 63M J   | チ ッ プ 抵 抗     |     | 01   |
| R175    | RD354100 | Carbon Resistor (chip)     | 10.0 63M J    | チ ッ プ 抵 抗     |     | 01   |
| R176    | RD354100 | Carbon Resistor (chip)     | 10.0 63M J    | チ ッ プ 抵 抗     |     | 01   |
| R177    | WA026900 | Metal Film Resistor (chip) | 12.0K 1/10 D  | チ ッ プ 金 皮 抵 抗 |     | 01   |
| -179    | WA026900 | Metal Film Resistor (chip) | 12.0K 1/10 D  | チ ッ プ 金 皮 抵 抗 |     | 01   |
| R182    | RD358100 | Carbon Resistor (chip)     | 100.0K 63M J  | チ ッ プ 抵 抗     |     | 01   |
| R187    | RD358100 | Carbon Resistor (chip)     | 100.0K 63M J  | チ ッ プ 抵 抗     |     | 01   |
| R301    | WA027600 | Metal Film Resistor (chip) | 24.0K 1/10 D  | チ ッ プ 金 皮 抵 抗 |     | 01   |
| R302    | WA027600 | Metal Film Resistor (chip) | 24.0K 1/10 D  | チ ッ プ 金 皮 抵 抗 |     | 01   |
| R303    | RD358100 | Carbon Resistor (chip)     | 100.0K 63M J  | チ ッ プ 抵 抗     |     | 01   |
| R304    | RD357470 | Carbon Resistor (chip)     | 47.0K 63M J   | チ ッ プ 抵 抗     |     | 01   |
| R305    | RD355270 | Carbon Resistor (chip)     | 270.0 63M J   | チ ッ プ 抵 抗     |     | 01   |
| R306    | WA025000 | Metal Film Resistor (chip) | 470.0 1/10 D  | チ ッ プ 金 皮 抵 抗 |     | 01   |
| R307    | RD355270 | Carbon Resistor (chip)     | 270.0 63M J   | チ ッ プ 抵 抗     |     | 01   |
| R308    | WA025800 | Metal Film Resistor (chip) | 2.4K 1/10 D   | チ ッ プ 金 皮 抵 抗 |     | 01   |
| R309    | WA025000 | Metal Film Resistor (chip) | 470.0 1/10 D  | チ ッ プ 金 皮 抵 抗 |     | 01   |
| R310    | WA027700 | Metal Film Resistor (chip) | 27.0K 1/10 D  | チ ッ プ 金 皮 抵 抗 |     | 01   |
| R311    | RD355100 | Carbon Resistor (chip)     | 100.0 63M J   | チ ッ プ 抵 抗     |     | 01   |
| R312    | WA026700 | Metal Film Resistor (chip) | 10.0K 1/10 D  | チ ッ プ 金 皮 抵 抗 |     | 01   |
| R313    | WA026700 | Metal Film Resistor (chip) | 10.0K 1/10 D  | チ ッ プ 金 皮 抵 抗 |     | 01   |
| R314    | RD354100 | Carbon Resistor (chip)     | 10.0 63M J    | チ ッ プ 抵 抗     |     | 01   |
| R315    | RD358100 | Carbon Resistor (chip)     | 100.0K 63M J  | チ ッ プ 抵 抗     |     | 01   |
| R316    | WA026900 | Metal Film Resistor (chip) | 12.0K 1/10 D  | チ ッ プ 金 皮 抵 抗 |     | 01   |
| -321    | WA026900 | Metal Film Resistor (chip) | 12.0K 1/10 D  | チ ッ プ 金 皮 抵 抗 |     | 01   |
| R322    | RD358100 | Carbon Resistor (chip)     | 100.0K 63M J  | チ ッ プ 抵 抗     |     | 01   |
| R324    | RD357100 | Carbon Resistor (chip)     | 10.0K 63M J   | チ ッ プ 抵 抗     |     | 01   |
| -327    | RD357100 | Carbon Resistor (chip)     | 10.0K 63M J   | チ ッ プ 抵 抗     |     | 01   |
| R328    | RD354100 | Carbon Resistor (chip)     | 10.0 63M J    | チ ッ プ 抵 抗     |     | 01   |
| R329    | RD354100 | Carbon Resistor (chip)     | 10.0 63M J    | チ ッ プ 抵 抗     |     | 01   |
| R351    | WA026900 | Metal Film Resistor (chip) | 12.0K 1/10 D  | チ ッ プ 金 皮 抵 抗 |     | 01   |
| -353    | WA026900 | Metal Film Resistor (chip) | 12.0K 1/10 D  | チ ッ プ 金 皮 抵 抗 |     | 01   |
| R505    | WA026900 | Metal Film Resistor (chip) | 12.0K 1/10 D  | チ ッ プ 金 皮 抵 抗 |     | 01   |
| -508    | WA026900 | Metal Film Resistor (chip) | 12.0K 1/10 D  | チ ッ プ 金 皮 抵 抗 |     | 01   |
| R513    | WA026900 | Metal Film Resistor (chip) | 12.0K 1/10 D  | チ ッ プ 金 皮 抵 抗 |     | 01   |
| -516    | WA026900 | Metal Film Resistor (chip) | 12.0K 1/10 D  | チ ッ プ 金 皮 抵 抗 |     | 01   |
| R521    | WA026900 | Metal Film Resistor (chip) | 12.0K 1/10 D  | チ ッ プ 金 皮 抵 抗 |     | 01   |
| -524    | WA026900 | Metal Film Resistor (chip) | 12.0K 1/10 D  | チ ッ プ 金 皮 抵 抗 |     | 01   |
| R529    | WA026900 | Metal Film Resistor (chip) | 12.0K 1/10 D  | チ ッ プ 金 皮 抵 抗 |     | 01   |
| -532    | WA026900 | Metal Film Resistor (chip) | 12.0K 1/10 D  | チ ッ プ 金 皮 抵 抗 |     | 01   |
| R537    | WA026900 | Metal Film Resistor (chip) | 12.0K 1/10 D  | チ ッ プ 金 皮 抵 抗 |     | 01   |
| -552    | WA026900 | Metal Film Resistor (chip) | 12.0K 1/10 D  | チ ッ プ 金 皮 抵 抗 |     | 01   |
| RJ01    | RD350000 | Carbon Resistor (chip)     | 0 63M J       | チ ッ プ 抵 抗     |     | 01   |

\*: New Parts

RANK: Japan only

| REF NO. | PART NO. | DESCRIPTION                |                    | 部 品 名                   | REMARKS                 | QTY | RANK |
|---------|----------|----------------------------|--------------------|-------------------------|-------------------------|-----|------|
| -24     | RD350000 | Carbon Resistor (chip)     | 0 63M J            | チ ャ ッ プ 抵 抗             |                         |     | 01   |
| SW101   | V8286900 | Push Switch Gold           | SPUJ19C600 2/2     | プ ッ シ ュ S W 金 メ ッ キ     | TO MATRIX               |     | 03   |
| SW102   | V8286900 | Push Switch Gold           | SPUJ19C600 2/2     | プ ッ シ ュ S W 金 メ ッ キ     | TB/OSC                  |     | 03   |
| SW103   | V9075500 | Push Switch                | SPUJ191900 2/2     | プ ッ シ ュ S W             | TO ST                   |     | 02   |
| SW104   | V9075500 | Push Switch                | SPUJ191900 2/2     | プ ッ シ ュ S W             | TO MONO                 |     | 02   |
| SW106   | V8286900 | Push Switch Gold           | SPUJ19C600 2/2     | プ ッ シ ュ S W 金 メ ッ キ     | INSERT                  |     | 03   |
| VR101   | VA788300 | Trimmer Potentiometer      | B 47.0K 3P RHE     | 半 固 定 V R               | SUM GAIN TRIM A-L       |     | 01   |
| VR301   | VA788300 | Trimmer Potentiometer      | B 47.0K 3P RHE     | 半 固 定 V R               | SUM GAIN TRIM B-L       |     | 01   |
| ZD101   | VU171900 | Zener Diode                | UDZS5.1BTE-17 5.1V | ツ ェ ナ ー ダイ オ ー ド        |                         |     | 01   |
| ZD301   | VU171900 | Zener Diode                | UDZS5.1BTE-17 5.1V | ツ ェ ナ ー ダイ オ ー ド        |                         |     | 01   |
|         | AAX47900 | Circuit Board              | PM5K GAMAS2 1_2/8  | G A M A S 2 1 _ 2 シ ー ト | MAS2 (V994440)(X2925B0) |     |      |
|         | AAX47910 | Circuit Board              | PM5K GAMAS2 3/8    | G A M A S 2 3 / 8 シ ー ト | MAS2 (V994440)(X2925B0) |     |      |
|         | AAX47920 | Circuit Board              | PM5K GAMAS2 4/8    | G A M A S 2 4 / 8 シ ー ト | MAS2 (V994440)(X2925B0) |     |      |
|         | AAX47930 | Circuit Board              | PM5K GAMAS2 5/8    | G A M A S 2 5 / 8 シ ー ト | MAS2 (V994440)(X2925B0) |     |      |
|         | AAX47940 | Circuit Board              | PM5K GAMAS2 6/8    | G A M A S 2 6 / 8 シ ー ト | MAS2 (V994440)(X2925B0) |     |      |
|         | AAX47950 | Circuit Board              | PM5K GAMAS2 7/8    | G A M A S 2 7 / 8 シ ー ト | MAS2 (V994440)(X2925B0) |     |      |
|         | AAX47960 | Circuit Board              | PM5K GAMAS2 8/8    | G A M A S 2 8 / 8 シ ー ト | MAS2 (V994440)(X2925B0) |     |      |
| 40      | V9517400 | LED Spacer                 | LA-5-3             | L E D ス ペ ー サ ー         |                         | 5   | 01   |
| C107    | US145100 | Ceramic Capacitor-F (chip) | 0.1000 25V Z       | チ ャ ッ プ セ ラ ( F )       |                         |     | 01   |
| C119    | UR847100 | Electrolytic Cap.          | 10.00 25.0V        | ケ ミ コ ン                 |                         |     | 01   |
| -121    | UR847100 | Electrolytic Cap.          | 10.00 25.0V        | ケ ミ コ ン                 |                         |     | 01   |
| C122    | UR848100 | Electrolytic Cap.          | 100.00 25.0V       | ケ ミ コ ン                 |                         |     | 01   |
| -124    | UR848100 | Electrolytic Cap.          | 100.00 25.0V       | ケ ミ コ ン                 |                         |     | 01   |
| C125    | UR847100 | Electrolytic Cap.          | 10.00 25.0V        | ケ ミ コ ン                 |                         |     | 01   |
| C127    | US061470 | Ceramic Capacitor-CH(chip) | 47P 50V J          | チ ャ ッ プ セ ラ ( C H )     |                         |     | 01   |
| C129    | US061680 | Ceramic Capacitor-SL(chip) | 68P 50V J          | チ ャ ッ プ セ ラ ( S L )     |                         |     | 01   |
| C131    | US062100 | Ceramic Capacitor-SL(chip) | 100P 50V J         | チ ャ ッ プ セ ラ ( S L )     |                         |     | 01   |
| C133    | UR847470 | Electrolytic Cap.          | 47.00 25.0V        | ケ ミ コ ン                 |                         |     | 01   |
| C135    | US063100 | Ceramic Capacitor-B (chip) | 1000P 50V K        | チ ャ ッ プ セ ラ ( B )       |                         | 01  | 01   |
| C136    | US064100 | Ceramic Capacitor-B (chip) | 0.0100 50V K       | チ ャ ッ プ セ ラ ( B )       |                         |     | 01   |
| C137    | US063100 | Ceramic Capacitor-B (chip) | 1000P 50V K        | チ ャ ッ プ セ ラ ( B )       |                         |     | 01   |
| C138    | US064100 | Ceramic Capacitor-B (chip) | 0.0100 50V K       | チ ャ ッ プ セ ラ ( B )       |                         |     | 01   |
| C139    | US145100 | Ceramic Capacitor-F (chip) | 0.1000 25V Z       | チ ャ ッ プ セ ラ ( F )       |                         |     | 01   |
| C140    | US062100 | Ceramic Capacitor-SL(chip) | 100P 50V J         | チ ャ ッ プ セ ラ ( S L )     |                         |     | 01   |
| C141    | US145100 | Ceramic Capacitor-F (chip) | 0.1000 25V Z       | チ ャ ッ プ セ ラ ( F )       |                         |     | 01   |
| C142    | US062100 | Ceramic Capacitor-SL(chip) | 100P 50V J         | チ ャ ッ プ セ ラ ( S L )     |                         |     | 01   |
| C143    | US145100 | Ceramic Capacitor-F (chip) | 0.1000 25V Z       | チ ャ ッ プ セ ラ ( F )       |                         |     | 01   |
| -150    | US145100 | Ceramic Capacitor-F (chip) | 0.1000 25V Z       | チ ャ ッ プ セ ラ ( F )       |                         |     | 01   |
| C152    | US062100 | Ceramic Capacitor-SL(chip) | 100P 50V J         | チ ャ ッ プ セ ラ ( S L )     |                         |     | 01   |
| C153    | US062100 | Ceramic Capacitor-SL(chip) | 100P 50V J         | チ ャ ッ プ セ ラ ( S L )     |                         |     | 01   |
| C155    | US062100 | Ceramic Capacitor-SL(chip) | 100P 50V J         | チ ャ ッ プ セ ラ ( S L )     |                         |     | 01   |
| -176    | US062100 | Ceramic Capacitor-SL(chip) | 100P 50V J         | チ ャ ッ プ セ ラ ( S L )     |                         |     | 01   |
| C177    | US145100 | Ceramic Capacitor-F (chip) | 0.1000 25V Z       | チ ャ ッ プ セ ラ ( F )       |                         |     | 01   |
| -190    | US145100 | Ceramic Capacitor-F (chip) | 0.1000 25V Z       | チ ャ ッ プ セ ラ ( F )       |                         |     | 01   |
| C191    | UR848100 | Electrolytic Cap.          | 100.00 25.0V       | ケ ミ コ ン                 |                         |     | 01   |
| C192    | US062100 | Ceramic Capacitor-SL(chip) | 100P 50V J         | チ ャ ッ プ セ ラ ( S L )     |                         |     | 01   |
| * CN101 | WB413700 | Receptacle                 | PHEC100R-R210      | レ セ プ タ ク ル ベ ロ ー ズ     |                         |     |      |
| * CN103 | WB913800 | Flat Cable Assembly        | MOD-BUS FLAT40     | 束 線 # 2 6               |                         |     | 04   |
| CN104   | WB049100 | Connector Assembly         | KR&DA 5P 160L      | 束 線 # 2 6               |                         |     | 03   |
| CN105   | VB390500 | Connector Base Post        | PH 9P TE           | コ ネ ク タ ベ ー ス ポ ス ト     |                         |     | 01   |
| CN106   | VB390600 | Connector Base Post        | PH 10P TE          | コ ネ ク タ ベ ー ス ポ ス ト     |                         |     | 05   |
| CN108   | WB083300 | Connector Assembly         | MNMAFAD-CP         | 束 線                     |                         |     | 01   |
| CN109   | VB390200 | Connector Base Post        | PH 6P TE           | コ ネ ク タ ベ ー ス ポ ス ト     |                         |     | 01   |
| CN110   | V8809800 | Connector Plug             | JE 9P SE           | J E コ ネ ク タ ー プ ラ グ     |                         |     | 02   |
| CN111   | V8875400 | Connector Plug             | JE 17P SE          | J E コ ネ ク タ ー プ ラ グ     |                         |     | 01   |
| CN112   | VB390300 | Connector Base Post        | PH 7P TE           | コ ネ ク タ ベ ー ス ポ ス ト     |                         |     | 01   |
| CN114   | VB390200 | Connector Base Post        | PH 6P TE           | コ ネ ク タ ベ ー ス ポ ス ト     |                         |     | 01   |
| * CN115 | WB756700 | Connector Assembly         | KR&DA 5P 300L      | 束 線 # 2 6               |                         |     | 01   |
| CN116   | VF283100 | Connector Base Post        | PH 13P TE          | コ ネ ク タ ベ ー ス ポ ス ト     |                         |     | 01   |
| CN118   | VB390000 | Connector Base Post        | PH 4P TE           | コ ネ ク タ ベ ー ス ポ ス ト     |                         |     | 01   |
| CN120   | VB390100 | Connector Base Post        | PH 5P TE           | コ ネ ク タ ベ ー ス ポ ス ト     |                         |     | 01   |
| CN501   | V8875300 | Connector Plug             | JE 13P SE          | J E コ ネ ク タ ー プ ラ グ     |                         |     | 01   |
| -504    | V8875300 | Connector Plug             | JE 13P SE          | J E コ ネ ク タ ー プ ラ グ     |                         |     | 01   |
| CP101   | VS345300 | IC Protector               | ICP-N10 T104       | I C プ ロ テ ク タ ー         |                         | 2   | 01   |
| -103    | VS345300 | IC Protector               | ICP-N10 T104       | I C プ ロ テ ク タ ー         |                         | 2   | 01   |
| D101    | VS201100 | Diode                      | D1F60              | ダ イ オ ー ド               |                         |     | 01   |
| D102    | VS201100 | Diode                      | D1F60              | ダ イ オ ー ド               |                         |     | 01   |
| D103    | VT332900 | Diode                      | 1SS355 TE-17       | ダ イ オ ー ド               |                         |     | 01   |
| D104    | VT332900 | Diode                      | 1SS355 TE-17       | ダ イ オ ー ド               |                         |     | 01   |

\*: New Parts

RANK: Japan only

| REF NO. | PART NO. | DESCRIPTION                |                 | 部 品 名             | REMARKS        | QTY | RANK |
|---------|----------|----------------------------|-----------------|-------------------|----------------|-----|------|
| EM101   | WA093400 | LC Filter                  | ZJSR5101-223TA  | L C フィルター E M I   |                |     | 01   |
| -104    | WA093400 | LC Filter                  | ZJSR5101-223TA  | L C フィルター E M I   |                |     | 01   |
| IC101   | X3208A00 | IC                         | UPD65883GJ-Y01  | I C               | GATE ARRAY     |     | 07   |
| IC102   | XT157A00 | IC                         | NJM4580ED       | I C               | OP AMP         |     | 02   |
| IC103   | X4040A00 | IC                         | MM74HC4066SJX   | I C               | ANALOG SWITCH  |     | 01   |
| IC104   | X4040A00 | IC                         | MM74HC4066SJX   | I C               | ANALOG SWITCH  |     | 01   |
| IC105   | XL091A00 | IC                         | HD74HC02FPEL    | I C               | NOR            |     | 01   |
| IC106   | XW104A00 | IC                         | MM74HC14SJX     | I C               | INVERTER       |     | 01   |
| IC107   | XW104A00 | IC                         | MM74HC14SJX     | I C               | INVERTER       |     | 01   |
| J505    | --       | Jumper Wire                | 0.55            | ジ ャ ン パ ー 線       | (VA07890)      |     |      |
| -508    | --       | Jumper Wire                | 0.55            | ジ ャ ン パ ー 線       | (VA07890)      |     |      |
| J513    | --       | Jumper Wire                | 0.55            | ジ ャ ン パ ー 線       | (VA07890)      |     |      |
| -516    | --       | Jumper Wire                | 0.55            | ジ ャ ン パ ー 線       | (VA07890)      |     |      |
| J521    | --       | Jumper Wire                | 0.55            | ジ ャ ン パ ー 線       | (VA07890)      |     |      |
| -524    | --       | Jumper Wire                | 0.55            | ジ ャ ン パ ー 線       | (VA07890)      |     |      |
| J529    | --       | Jumper Wire                | 0.55            | ジ ャ ン パ ー 線       | (VA07890)      |     |      |
| -532    | --       | Jumper Wire                | 0.55            | ジ ャ ン パ ー 線       | (VA07890)      |     |      |
| K101    | VB966900 | Style Pin                  | IMSA-6024 L=35  | スタイルピン L = 3 5    |                |     | 01   |
| L101    | V3063400 | Chip Inductance            | BLM18BD601SN1D  | チ ッ プ イ ン ダ ク タ   |                |     | 01   |
| -105    | V3063400 | Chip Inductance            | BLM18BD601SN1D  | チ ッ プ イ ン ダ ク タ   |                |     | 01   |
| L107    | V3063400 | Chip Inductance            | BLM18BD601SN1D  | チ ッ プ イ ン ダ ク タ   |                |     | 01   |
| -112    | V3063400 | Chip Inductance            | BLM18BD601SN1D  | チ ッ プ イ ン ダ ク タ   |                |     | 01   |
| L114    | V3063400 | Chip Inductance            | BLM18BD601SN1D  | チ ッ プ イ ン ダ ク タ   |                |     | 01   |
| -117    | V3063400 | Chip Inductance            | BLM18BD601SN1D  | チ ッ プ イ ン ダ ク タ   |                |     | 01   |
| L119    | V3063400 | Chip Inductance            | BLM18BD601SN1D  | チ ッ プ イ ン ダ ク タ   |                |     | 01   |
| -124    | V3063400 | Chip Inductance            | BLM18BD601SN1D  | チ ッ プ イ ン ダ ク タ   |                |     | 01   |
| LD101   | V9076400 | LED Yellow                 | TLYU160         | L E D             | RECALL SAFE    |     | 01   |
| LD102   | V5295900 | LED Green                  | SLP-235B-51     | L E D             | GROUP PRE PAN  |     | 01   |
| LD103   | WA473300 | LED Yellow                 | SLP-435B-51     | L E D             | GROUP POST PAN |     | 01   |
| LD104   | V9076600 | LED Orange                 | TLOE263AP       | L E D             | ON             |     | 01   |
| LD105   | V9076600 | LED Orange                 | TLOE263AP       | L E D             | CUE            |     | 01   |
| LD106   | VT942200 | LED Red                    | SLP-135B        | L E D             | AUX            |     | 01   |
| Q101    | VG013300 | Transistor                 | 2SB1132 82-390  | ト ラ ン ジ ス タ       |                |     | 01   |
| Q102    | VG013400 | Transistor                 | 2SD1664 82-390  | ト ラ ン ジ ス タ       |                |     | 01   |
| Q103    | VG013300 | Transistor                 | 2SB1132 82-390  | ト ラ ン ジ ス タ       |                |     | 01   |
| Q104    | VV556400 | Transistor                 | 2SC2412K Q,R,S  | ト ラ ン ジ ス タ       |                |     | 01   |
| Q105    | VV556500 | Transistor                 | 2SA1037AK Q,R,S | ト ラ ン ジ ス タ       |                |     | 01   |
| Q106    | VV556400 | Transistor                 | 2SC2412K Q,R,S  | ト ラ ン ジ ス タ       |                |     | 01   |
| Q107    | VV556400 | Transistor                 | 2SC2412K Q,R,S  | ト ラ ン ジ ス タ       |                |     | 01   |
| Q109    | VV556400 | Transistor                 | 2SC2412K Q,R,S  | ト ラ ン ジ ス タ       |                |     | 01   |
| Q110    | V8851000 | Transistor Array           | IMH2A           | ト ラ ン ジ ス タ ア レ イ |                |     | 01   |
| Q112    | V8851000 | Transistor Array           | IMH2A           | ト ラ ン ジ ス タ ア レ イ |                |     | 01   |
| Q113    | V8851000 | Transistor Array           | IMH2A           | ト ラ ン ジ ス タ ア レ イ |                |     | 01   |
| Q114    | VV556400 | Transistor                 | 2SC2412K Q,R,S  | ト ラ ン ジ ス タ       |                |     | 01   |
| Q115    | VV556400 | Transistor                 | 2SC2412K Q,R,S  | ト ラ ン ジ ス タ       |                |     | 01   |
| R101    | RD356100 | Carbon Resistor (chip)     | 1.0K 63M J      | チ ッ プ 抵 抗         |                |     | 01   |
| R102    | RD356100 | Carbon Resistor (chip)     | 1.0K 63M J      | チ ッ プ 抵 抗         |                |     | 01   |
| R103    | RD356120 | Carbon Resistor (chip)     | 1.2K 63M J      | チ ッ プ 抵 抗         |                |     | 01   |
| R104    | RD357200 | Carbon Resistor (chip)     | 20.0K 63M J     | チ ッ プ 抵 抗         |                |     | 01   |
| R105    | WA028000 | Metal Film Resistor (chip) | 47.0K 1/10 D    | チ ッ プ 金 皮 抵 抗     |                |     | 01   |
| R106    | RD250000 | Carbon Resistor (chip)     | 0.0 0.0 J       | チ ッ プ 抵 抗         |                |     | 01   |
| R107    | WA026200 | Metal Film Resistor (chip) | 4.7K 1/10 D     | チ ッ プ 金 皮 抵 抗     |                |     | 01   |
| R109    | WA026700 | Metal Film Resistor (chip) | 10.0K 1/10 D    | チ ッ プ 金 皮 抵 抗     |                |     | 01   |
| R110    | RD250000 | Carbon Resistor (chip)     | 0.0 0.0 J       | チ ッ プ 抵 抗         |                |     | 01   |
| R111    | RD354100 | Carbon Resistor (chip)     | 10.0 63M J      | チ ッ プ 抵 抗         |                |     | 01   |
| R113    | RD357100 | Carbon Resistor (chip)     | 10.0K 63M J     | チ ッ プ 抵 抗         |                |     | 01   |
| R115    | RD357220 | Carbon Resistor (chip)     | 22.0K 63M J     | チ ッ プ 抵 抗         |                |     | 01   |
| R117    | RD358100 | Carbon Resistor (chip)     | 100.0K 63M J    | チ ッ プ 抵 抗         |                |     | 01   |
| R119    | RD357100 | Carbon Resistor (chip)     | 10.0K 63M J     | チ ッ プ 抵 抗         |                |     | 01   |
| R120    | RD357220 | Carbon Resistor (chip)     | 22.0K 63M J     | チ ッ プ 抵 抗         |                |     | 01   |
| R122    | RD358100 | Carbon Resistor (chip)     | 100.0K 63M J    | チ ッ プ 抵 抗         |                |     | 01   |
| R125    | RD358100 | Carbon Resistor (chip)     | 100.0K 63M J    | チ ッ プ 抵 抗         |                |     | 01   |
| R126    | RD358100 | Carbon Resistor (chip)     | 100.0K 63M J    | チ ッ プ 抵 抗         |                |     | 01   |
| R127    | RD355100 | Carbon Resistor (chip)     | 100.0 63M J     | チ ッ プ 抵 抗         |                |     | 01   |
| R128    | RD354270 | Carbon Resistor (chip)     | 27.0 63M J      | チ ッ プ 抵 抗         |                |     | 01   |
| R129    | RD358100 | Carbon Resistor (chip)     | 100.0K 63M J    | チ ッ プ 抵 抗         |                |     | 01   |
| R130    | RD355100 | Carbon Resistor (chip)     | 100.0 63M J     | チ ッ プ 抵 抗         |                |     | 01   |
| R131    | RD354680 | Carbon Resistor (chip)     | 68.0 63M J      | チ ッ プ 抵 抗         |                |     | 01   |
| RA101   | RE048100 | Resistor Array             | 100KX4          | 抵 抗 ア レ イ         |                |     | 01   |
| RA102   | RE048100 | Resistor Array             | 100KX4          | 抵 抗 ア レ イ         |                |     | 01   |

\*: New Parts

RANK: Japan only

| REF NO. | PART NO. | DESCRIPTION                | 部 品 名               | REMARKS               | QTY                       | RANK |
|---------|----------|----------------------------|---------------------|-----------------------|---------------------------|------|
| RA103   | RE045100 | Resistor Array             | 100X4               | 抵 抗 ア レ イ             |                           | 01   |
| -110    | RE045100 | Resistor Array             | 100X4               | 抵 抗 ア レ イ             |                           | 01   |
| RA111   | RE047100 | Resistor Array             | 10KX4               | 抵 抗 ア レ イ             |                           | 01   |
| -113    | RE047100 | Resistor Array             | 10KX4               | 抵 抗 ア レ イ             |                           | 01   |
| * RY101 | WB170800 | Relay                      | DC NA-12W-K         | リ レ                   |                           | 04   |
| * RY103 | WB170800 | Relay                      | DC NA-12W-K         | リ レ                   |                           | 04   |
| SW101   | KA401270 | Slide Switch               | SSS212              | ス ラ イ ド S W           | TO STEREO POST/PRE ON SW  | 03   |
| SW102   | VN316300 | Slide Switch               | SSSS2-22-01         | ス ラ イ ド S W           | TO MTRX POST/PRE FADER    | 02   |
| SW103   | VN316300 | Slide Switch               | SSSS2-22-01         | ス ラ イ ド S W           | TO MTRX POST/PRE ON SW    | 02   |
| SW104   | KA401270 | Slide Switch               | SSS212              | ス ラ イ ド S W           | TO STEREO POST/PRE ON SW  | 03   |
| SW105   | VN316300 | Slide Switch               | SSSS2-22-01         | ス ラ イ ド S W           | TO MTRX POST/PRE FADER    | 02   |
| SW106   | VN316300 | Slide Switch               | SSSS2-22-01         | ス ラ イ ド S W           | TO MTRX POST/PRE ON SW    | 02   |
| SW107   | V9075500 | Push Switch                | SPUJ191900 2/2      | ブ ッ シ ュ S W           | RECALL SAFE               | 02   |
| SW108   | V9075500 | Push Switch                | SPUJ191900 2/2      | ブ ッ シ ュ S W           | ON                        | 02   |
| SW109   | V9075500 | Push Switch                | SPUJ191900 2/2      | ブ ッ シ ュ S W           | CUE                       | 02   |
| VR101   | WB412400 | Rotary Variable Resistor   | AC20K RK09L         | 二 連 ロ ー タ リ ー V R     | PAN                       | 04   |
| VR102   | WB412400 | Rotary Variable Resistor   | AC20K RK09L         | 二 連 ロ ー タ リ ー V R     | PAN                       | 04   |
| VR103   | V9270000 | Variable Resistor with SW  | A50Kx2 RK097        | S W 付 V R             | SUM GAIN                  | 05   |
| VR104   | V9270000 | Variable Resistor with SW  | A50Kx2 RK097        | S W 付 V R             | SUM GAIN                  | 05   |
| VR551   | V8530000 | Rotary Pot.                | A10K AC20K RK097    | 二 軸 ロ ー タ リ ー V R     | ST MATRIX 1               | 06   |
| VR552   | V8530000 | Rotary Pot.                | A10K AC20K RK097    | 二 軸 ロ ー タ リ ー V R     | ST MATRIX 1               | 06   |
| VR553   | V8530000 | Rotary Pot.                | A10K AC20K RK097    | 二 軸 ロ ー タ リ ー V R     | ST MATRIX 2               | 06   |
| VR554   | V8530000 | Rotary Pot.                | A10K AC20K RK097    | 二 軸 ロ ー タ リ ー V R     | ST MATRIX 2               | 06   |
| VR555   | V8530000 | Rotary Pot.                | A10K AC20K RK097    | 二 軸 ロ ー タ リ ー V R     | ST MATRIX 3               | 06   |
| VR556   | V8530000 | Rotary Pot.                | A10K AC20K RK097    | 二 軸 ロ ー タ リ ー V R     | ST MATRIX 3               | 06   |
| VR557   | V8530000 | Rotary Pot.                | A10K AC20K RK097    | 二 軸 ロ ー タ リ ー V R     | ST MATRIX 4               | 06   |
| VR558   | V8530000 | Rotary Pot.                | A10K AC20K RK097    | 二 軸 ロ ー タ リ ー V R     | ST MATRIX 4               | 06   |
|         | AAX47970 | Circuit Board              | PM5K GAMASSUB 1/17  | G A M A S S U B シ ー ト | MASSUB (V994470)(X2926B0) |      |
|         | AAX48060 | Circuit Board              | PM5K GAMASSUB 10/17 | G A M A S S U B シ ー ト | MASSUB (V994470)(X2926B0) |      |
|         | AAX48070 | Circuit Board              | PM5K GAMASSUB 11/17 | G A M A S S U B シ ー ト | MASSUB (V994470)(X2926B0) |      |
|         | AAX48080 | Circuit Board              | PM5K GAMASSUB 12/17 | G A M A S S U B シ ー ト | MASSUB (V994470)(X2926B0) |      |
|         | AAX48090 | Circuit Board              | PM5K GAMASSUB 13/17 | G A M A S S U B シ ー ト | MASSUB (V994470)(X2926B0) |      |
|         | AAX48100 | Circuit Board              | PM5K GAMASSUB 14/17 | G A M A S S U B シ ー ト | MASSUB (V994470)(X2926B0) |      |
|         | AAX48110 | Circuit Board              | PM5K GAMASSUB 15/17 | G A M A S S U B シ ー ト | MASSUB (V994470)(X2926B0) |      |
|         | AAX48120 | Circuit Board              | PM5K GAMASSUB 16/17 | G A M A S S U B シ ー ト | MASSUB (V994470)(X2926B0) |      |
|         | AAX48130 | Circuit Board              | PM5K GAMASSUB 17/17 | G A M A S S U B シ ー ト | MASSUB (V994470)(X2926B0) |      |
| 40      | --       | Jumper Wire                | 0.55                | ジ ャ ン パ ー 線           | (VA07890)                 |      |
| 50      | V9517400 | LED Spacer                 | LA-5-3              | L E D ス ペ ー サ ー       |                           | 2 01 |
| C301    | UR847100 | Electrolytic Cap.          | 10.00 25.0V         | ケ ー ミ コ ン             |                           | 01   |
| C302    | UA355100 | Mylar Capacitor            | 0.1000 50V J        | マ イ ラ ー コ ン           |                           | 01   |
| C305    | UR847100 | Electrolytic Cap.          | 10.00 25.0V         | ケ ー ミ コ ン             |                           | 01   |
| C306    | US061470 | Ceramic Capacitor-CH(chip) | 47P 50V J           | チ ッ プ セ ラ ( C H )     |                           | 01   |
| C307    | US061680 | Ceramic Capacitor-SL(chip) | 68P 50V J           | チ ッ プ セ ラ ( S L )     |                           | 01   |
| C308    | UR847470 | Electrolytic Cap.          | 47.00 25.0V         | ケ ー ミ コ ン             |                           | 01   |
| C313    | US064100 | Ceramic Capacitor-B (chip) | 0.0100 50V K        | チ ッ プ セ ラ ( B )       |                           | 01   |
| C314    | US064100 | Ceramic Capacitor-B (chip) | 0.0100 50V K        | チ ッ プ セ ラ ( B )       |                           | 01   |
| C315    | US063100 | Ceramic Capacitor-B (chip) | 1000P 50V K         | チ ッ プ セ ラ ( B )       |                           | 01   |
| C316    | US145100 | Ceramic Capacitor-F (chip) | 0.1000 25V Z        | チ ッ プ セ ラ ( F )       |                           | 01   |
| C317    | US145100 | Ceramic Capacitor-F (chip) | 0.1000 25V Z        | チ ッ プ セ ラ ( F )       |                           | 01   |
| CN301   | VN872600 | Connector Assembly         | SAN&PH 8P 100L      | 束 線 # 2 4             |                           | 07   |
| CN302   | WB049500 | Connector Assembly         | KR&DA 6P 180L       | 束 線 # 2 6             |                           | 04   |
| CN303   | WB083300 | Connector Assembly         | MNMAFAD-CP          | 束 線                   |                           | 05   |
| CN304   | WB051200 | Connector Assembly         | KR&DA 10P 80L       | 束 線 # 2 6             |                           | 05   |
| CN306   | WB049700 | Connector Assembly         | KR&DA 7P 80L        | 束 線 # 2 6             |                           | 04   |
| CN307   | WB050000 | Connector Assembly         | KR&DA 7P 200L       | 束 線 # 2 6             |                           | 05   |
| CN308   | WB048400 | Connector Assembly         | KR&DA 4P 300L       | 束 線 # 2 6             |                           | 04   |
| CN555   | V8875200 | Connector Plug             | JE 7P SE            | J E コ ネ ク タ ー プ ラ グ   |                           | 01   |
| -562    | V8875200 | Connector Plug             | JE 7P SE            | J E コ ネ ク タ ー プ ラ グ   |                           | 01   |
| IC301   | XT157A00 | IC                         | NJM4580ED           | I C                   | OP AMP                    | 02   |
| IC302   | X4040A00 | IC                         | MM74HC4066SJX       | I C                   | ANALOG SWITCH             | 01   |
| IC303   | X4040A00 | IC                         | MM74HC4066SJX       | I C                   | ANALOG SWITCH             | 01   |
| J301    | --       | Jumper Wire                | 0.55                | ジ ャ ン パ ー 線           | (VA07890)                 |      |
| -303    | --       | Jumper Wire                | 0.55                | ジ ャ ン パ ー 線           | (VA07890)                 |      |
| K301    | VB966900 | Style Pin                  | IMSA-6024 L=35      | ス タ イ ル ピ ン L = 3 5   |                           | 01   |
| K302    | VB966900 | Style Pin                  | IMSA-6024 L=35      | ス タ イ ル ピ ン L = 3 5   |                           | 01   |
| LD301   | VH325200 | LED Red                    | GL2PR6              | L E D                 | Σ*PEAK L                  | 01   |
| LD304   | V9076400 | LED Yellow                 | TLYU160             | L E D                 | INSERT                    | 01   |
| LD305   | V9076400 | LED Yellow                 | TLYU160             | L E D                 | TO MATRIX                 | 01   |
| LD306   | V9076200 | LED Green                  | TLGU50T             | L E D                 | TO ST                     | 01   |

\*: New Parts

RANK: Japan only

| REF NO. | PART NO. | DESCRIPTION                | 部 品 名             | REMARKS     | QTY         | RANK |
|---------|----------|----------------------------|-------------------|-------------|-------------|------|
| LD307   | V9076200 | LED Green                  | TLGU50T           | TO MONO     |             | 01   |
| LD308   | V9076600 | LED Orange                 | TLOE263AP         | CUE         |             | 01   |
| LD309   | V9076600 | LED Orange                 | TLOE263AP         | ON          |             | 01   |
| LD310   | V9076400 | LED Yellow                 | TLYU160           | RECALL SAFE |             | 01   |
| LD311   | VJ471200 | LED Yellow                 | GL2HY6            | SUM GAIN ON |             | 01   |
| LD312   | V9076400 | LED Yellow                 | TLYU160           | TB/OSC      |             | 01   |
| Q301    | VV556400 | Transistor                 | 2SC2412K Q,R,S    | トランジスタ      |             | 01   |
| Q302    | VV556400 | Transistor                 | 2SC2412K Q,R,S    | トランジスタ      |             | 01   |
| Q303    | VV010500 | Pair Transistor            | IMT1A             | ペアトランジスタ    |             | 01   |
| Q304    | VV556400 | Transistor                 | 2SC2412K Q,R,S    | トランジスタ      |             | 01   |
| Q305    | VV556400 | Transistor                 | 2SC2412K Q,R,S    | トランジスタ      |             | 01   |
| Q311    | V8851000 | Transistor Array           | IMH2A             | トランジスタアレイ   |             | 01   |
| Q312    | V8851000 | Transistor Array           | IMH2A             | トランジスタアレイ   |             | 01   |
| Q313    | VV556400 | Transistor                 | 2SC2412K Q,R,S    | トランジスタ      |             | 01   |
| Q314    | VV556400 | Transistor                 | 2SC2412K Q,R,S    | トランジスタ      |             | 01   |
| R302    | RD358100 | Carbon Resistor (chip)     | 100.0K 63M J      | チップ抵抗       |             | 01   |
| R305    | WA028200 | Metal Film Resistor (chip) | 100.0K 1/10 D     | チップ金皮抵抗     |             | 01   |
| R306    | WA027800 | Metal Film Resistor (chip) | 36.0K 1/10 D      | チップ金皮抵抗     |             | 01   |
| R309    | RD358100 | Carbon Resistor (chip)     | 100.0K 63M J      | チップ抵抗       |             | 01   |
| R310    | RD358220 | Carbon Resistor (chip)     | 220.0K 63M J      | チップ抵抗       |             | 01   |
| R312    | RD355470 | Carbon Resistor (chip)     | 470.0 63M J       | チップ抵抗       |             | 01   |
| R313    | RD358470 | Carbon Resistor (chip)     | 470.0K 63M J      | チップ抵抗       |             | 01   |
| R318    | RD358100 | Carbon Resistor (chip)     | 100.0K 63M J      | チップ抵抗       |             | 01   |
| R319    | WA027300 | Metal Film Resistor (chip) | 18.0K 1/10 D      | チップ金皮抵抗     |             | 01   |
| R320    | WA027600 | Metal Film Resistor (chip) | 24.0K 1/10 D      | チップ金皮抵抗     |             | 01   |
| R322    | RD355100 | Carbon Resistor (chip)     | 100.0 63M J       | チップ抵抗       |             | 01   |
| R323    | RD358100 | Carbon Resistor (chip)     | 100.0K 63M J      | チップ抵抗       |             | 01   |
| R324    | RD355150 | Carbon Resistor (chip)     | 150.0 63M J       | チップ抵抗       |             | 01   |
| R325    | RD354680 | Carbon Resistor (chip)     | 68.0 63M J        | チップ抵抗       |             | 01   |
| R326    | RD355100 | Carbon Resistor (chip)     | 100.0 63M J       | チップ抵抗       |             | 01   |
| R327    | WA028000 | Metal Film Resistor (chip) | 47.0K 1/10 D      | チップ金皮抵抗     |             | 01   |
| R328    | RD250000 | Carbon Resistor (chip)     | 0.0 0.0 J         | チップ抵抗       |             | 01   |
| R329    | WA026200 | Metal Film Resistor (chip) | 4.7K 1/10 D       | チップ金皮抵抗     |             | 01   |
| R331    | WA026700 | Metal Film Resistor (chip) | 10.0K 1/10 D      | チップ金皮抵抗     |             | 01   |
| R332    | RD250000 | Carbon Resistor (chip)     | 0.0 0.0 J         | チップ抵抗       |             | 01   |
| R333    | RD354100 | Carbon Resistor (chip)     | 10.0 63M J        | チップ抵抗       |             | 01   |
| R335    | RD358100 | Carbon Resistor (chip)     | 100.0K 63M J      | チップ抵抗       |             | 01   |
| R337    | RD358100 | Carbon Resistor (chip)     | 100.0K 63M J      | チップ抵抗       |             | 01   |
| -341    | RD358100 | Carbon Resistor (chip)     | 100.0K 63M J      | チップ抵抗       |             | 01   |
| R342    | RD357470 | Carbon Resistor (chip)     | 47.0K 63M J       | チップ抵抗       |             | 01   |
| R343    | RD355100 | Carbon Resistor (chip)     | 100.0 63M J       | チップ抵抗       |             | 01   |
| R344    | RD354680 | Carbon Resistor (chip)     | 68.0 63M J        | チップ抵抗       |             | 01   |
| RJ01    | RD350000 | Carbon Resistor (chip)     | 0 63M J           | チップ抵抗       |             | 01   |
| -09     | RD350000 | Carbon Resistor (chip)     | 0 63M J           | チップ抵抗       |             | 01   |
| SW301   | V8286900 | Push Switch Gold           | SPUJ19C600 2/2    | プッシュSW金メッキ  | TO MATRIX   | 03   |
| SW302   | V8286900 | Push Switch Gold           | SPUJ19C600 2/2    | プッシュSW金メッキ  | TB/OSC      | 03   |
| SW303   | V9075500 | Push Switch                | SPUJ191900 2/2    | プッシュSW      | TO ST       | 02   |
| SW304   | V9075500 | Push Switch                | SPUJ191900 2/2    | プッシュSW      | TO MONO     | 02   |
| SW306   | V8286900 | Push Switch Gold           | SPUJ19C600 2/2    | プッシュSW金メッキ  | INSERT      | 03   |
| SW307   | V9075500 | Push Switch                | SPUJ191900 2/2    | プッシュSW      | RECALL SAFE | 02   |
| SW308   | V9075500 | Push Switch                | SPUJ191900 2/2    | プッシュSW      | ON          | 02   |
| SW309   | V9075500 | Push Switch                | SPUJ191900 2/2    | プッシュSW      | CUE         | 02   |
| VR559   | VS768500 | Rotary Variable Resistor   | 20KA              | ロータリVR      | MATRIX 1    | 04   |
| VR560   | VS768500 | Rotary Variable Resistor   | 20KA              | ロータリVR      | MATRIX 1    | 04   |
| VR561   | VS768500 | Rotary Variable Resistor   | 20KA              | ロータリVR      | MATRIX 2    | 04   |
| VR562   | VS768500 | Rotary Variable Resistor   | 20KA              | ロータリVR      | MATRIX 2    | 04   |
| VR563   | VS768500 | Rotary Variable Resistor   | 20KA              | ロータリVR      | MATRIX 3    | 04   |
| VR564   | VS768500 | Rotary Variable Resistor   | 20KA              | ロータリVR      | MATRIX 3    | 04   |
| VR565   | VS768500 | Rotary Variable Resistor   | 20KA              | ロータリVR      | MATRIX 4    | 04   |
| VR566   | VS768500 | Rotary Variable Resistor   | 20KA              | ロータリVR      | MATRIX 4    | 04   |
| VR567   | VS768500 | Rotary Variable Resistor   | 20KA              | ロータリVR      | MATRIX 5    | 04   |
| VR568   | VS768500 | Rotary Variable Resistor   | 20KA              | ロータリVR      | MATRIX 5    | 04   |
| VR569   | VS768500 | Rotary Variable Resistor   | 20KA              | ロータリVR      | MATRIX 6    | 04   |
| VR570   | VS768500 | Rotary Variable Resistor   | 20KA              | ロータリVR      | MATRIX 6    | 04   |
| VR571   | VS768500 | Rotary Variable Resistor   | 20KA              | ロータリVR      | MATRIX 7    | 04   |
| VR572   | VS768500 | Rotary Variable Resistor   | 20KA              | ロータリVR      | MATRIX 7    | 04   |
| VR573   | VS768500 | Rotary Variable Resistor   | 20KA              | ロータリVR      | MATRIX 8    | 04   |
| VR574   | VS768500 | Rotary Variable Resistor   | 20KA              | ロータリVR      | MATRIX 8    | 04   |
|         | V8367800 | Slide Variable Resistor    | D 10.0K RSA0K11K9 | スライドVR100   | GROUP/AUX   | 2 10 |

\*: New Parts

RANK: Japan only



# GROUP/AUX MASTER MODULE

# GAM5000

# CIRCUIT DIAGRAM

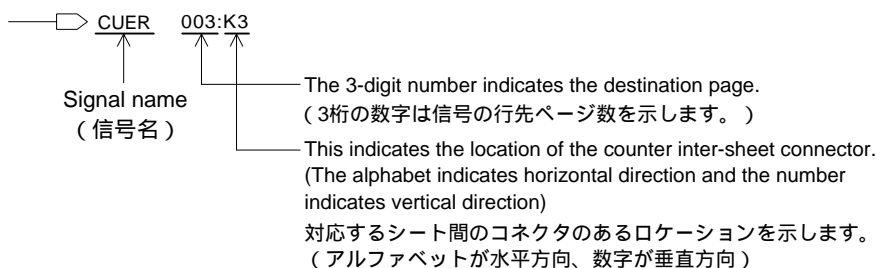
## ■ CONTENTS( 目次 )

### CIRCUIT DIAGRAM( 回路図 )

|                                       |    |                            |   |
|---------------------------------------|----|----------------------------|---|
| GAMAS1 1/3 (002~006) .....            | 6  | GAMASSUB 4/17 (004) .....  | 5 |
| GAMAS1 2/3 (007) .....                | 11 | GAMASSUB 5/17 (004) .....  | 5 |
| GAMAS1 3/3 (007) .....                | 11 | GAMASSUB 6/17 (004) .....  | 5 |
| GAMAS2 1/8 (002, 003, 005, 006) ..... | 12 | GAMASSUB 7/17 (004) .....  | 5 |
| GAMAS2 2/8 (002) .....                | 12 | GAMASSUB 8/17 (004) .....  | 5 |
| GAMAS2 3/8 (003) .....                | 13 | GAMASSUB 9/17 (004) .....  | 5 |
| GAMAS2 4/8 (003) .....                | 13 | GAMASSUB 10/17 (004) ..... | 5 |
| GAMAS2 5/8 (004) .....                | 14 | GAMASSUB 11/17 (004) ..... | 5 |
| GAMAS2 6/8 (004) .....                | 14 | GAMASSUB 12/17 (004) ..... | 5 |
| GAMAS2 7/8 (004) .....                | 14 | GAMASSUB 13/17 (004) ..... | 5 |
| GAMAS2 8/8 (004) .....                | 14 | GAMASSUB 14/17 (004) ..... | 5 |
| GAMASSUB 1/17 (002, 003) .....        | 3  | GAMASSUB 15/17 (004) ..... | 5 |
| GAMASSUB 2/17 (004) .....             | 5  | GAMASSUB 16/17 (004) ..... | 5 |
| GAMASSUB 3/17 (004) .....             | 5  | GAMASSUB 17/17 (004) ..... | 5 |

### Notation for Circuit Diagrams( 回路図表記上の注意 )

#### 1. How to identify inter-sheet connectors( シート間コネクタの読み方について )



Note: See parts list for details of circuit board component parts.

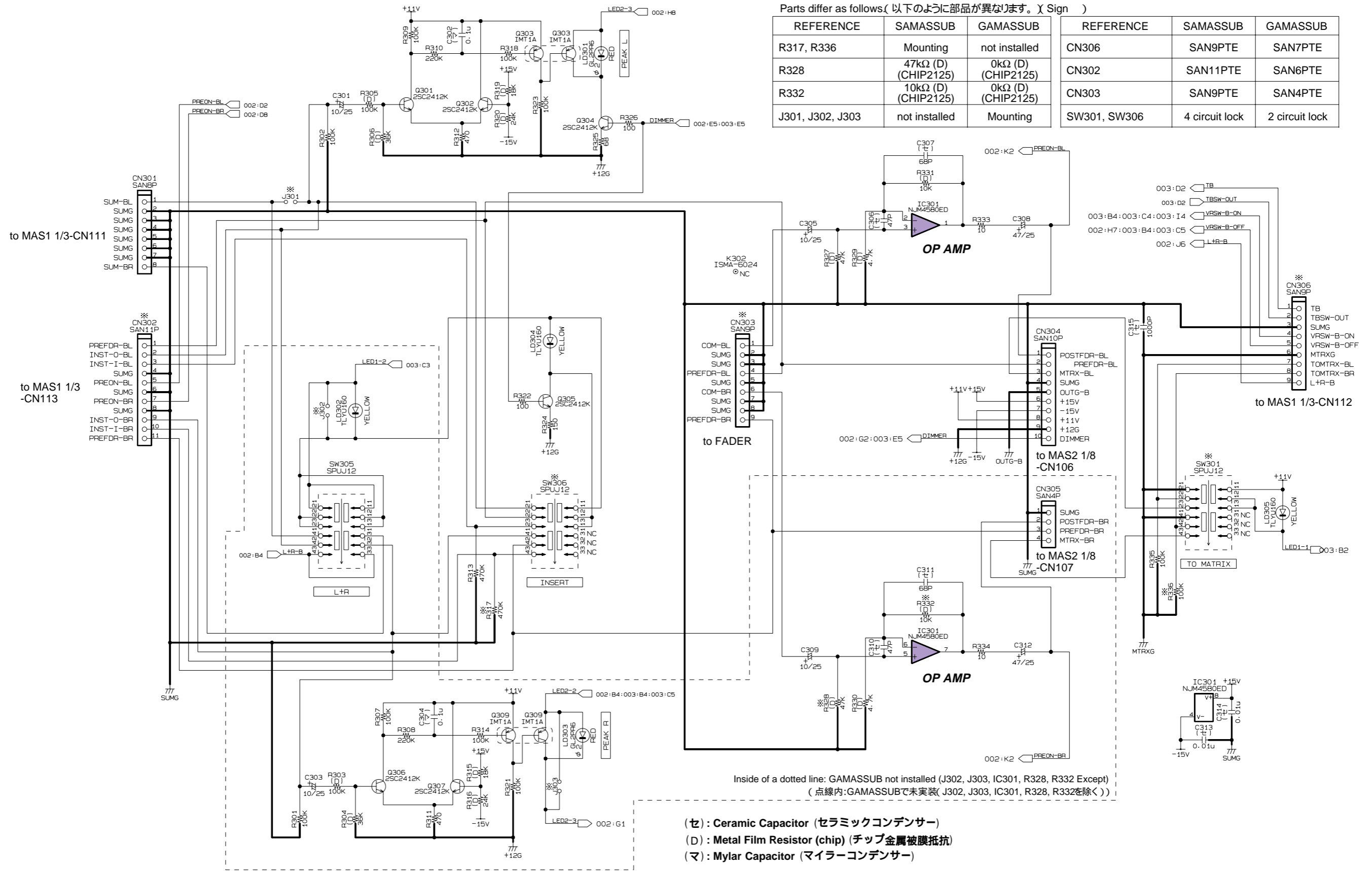
注 : シートの部品詳細はパーツリストをご参照下さい。

# GAMASSUB 1/17 CIRCUIT DIAGRAM 002 (GAM5000)

GAM5000

MASSUB circuit board is common to SAMASSUB and GAMASSUB.  
 (基板MASSUBは、シートSAMASSUBとシートGAMASSUBで共通です。)  
 Parts differ as follows.(以下のように部品が異なります。X Sign )

| REFERENCE        | SAMASSUB               | GAMASSUB              | REFERENCE    | SAMASSUB       | GAMASSUB       |
|------------------|------------------------|-----------------------|--------------|----------------|----------------|
| R317, R336       | Mounting               | not installed         | CN306        | SAN9PTE        | SAN7PTE        |
| R328             | 47kΩ (D)<br>(CHIP2125) | 0kΩ (D)<br>(CHIP2125) | CN302        | SAN11PTE       | SAN6PTE        |
| R332             | 10kΩ (D)<br>(CHIP2125) | 0kΩ (D)<br>(CHIP2125) | CN303        | SAN9PTE        | SAN4PTE        |
| J301, J302, J303 | not installed          | Mounting              | SW301, SW306 | 4 circuit lock | 2 circuit lock |

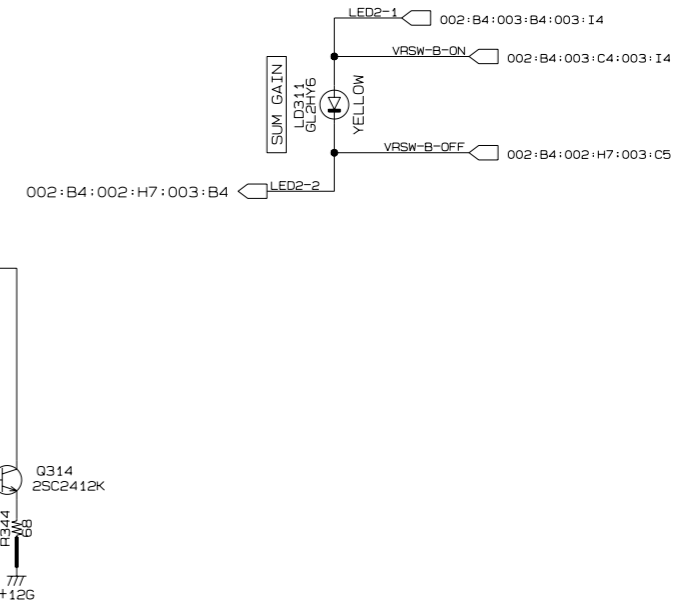
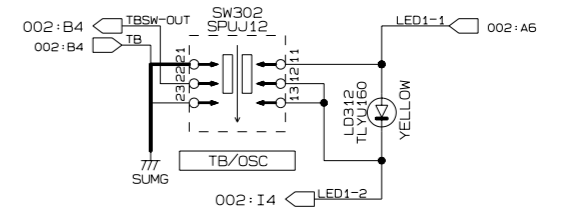
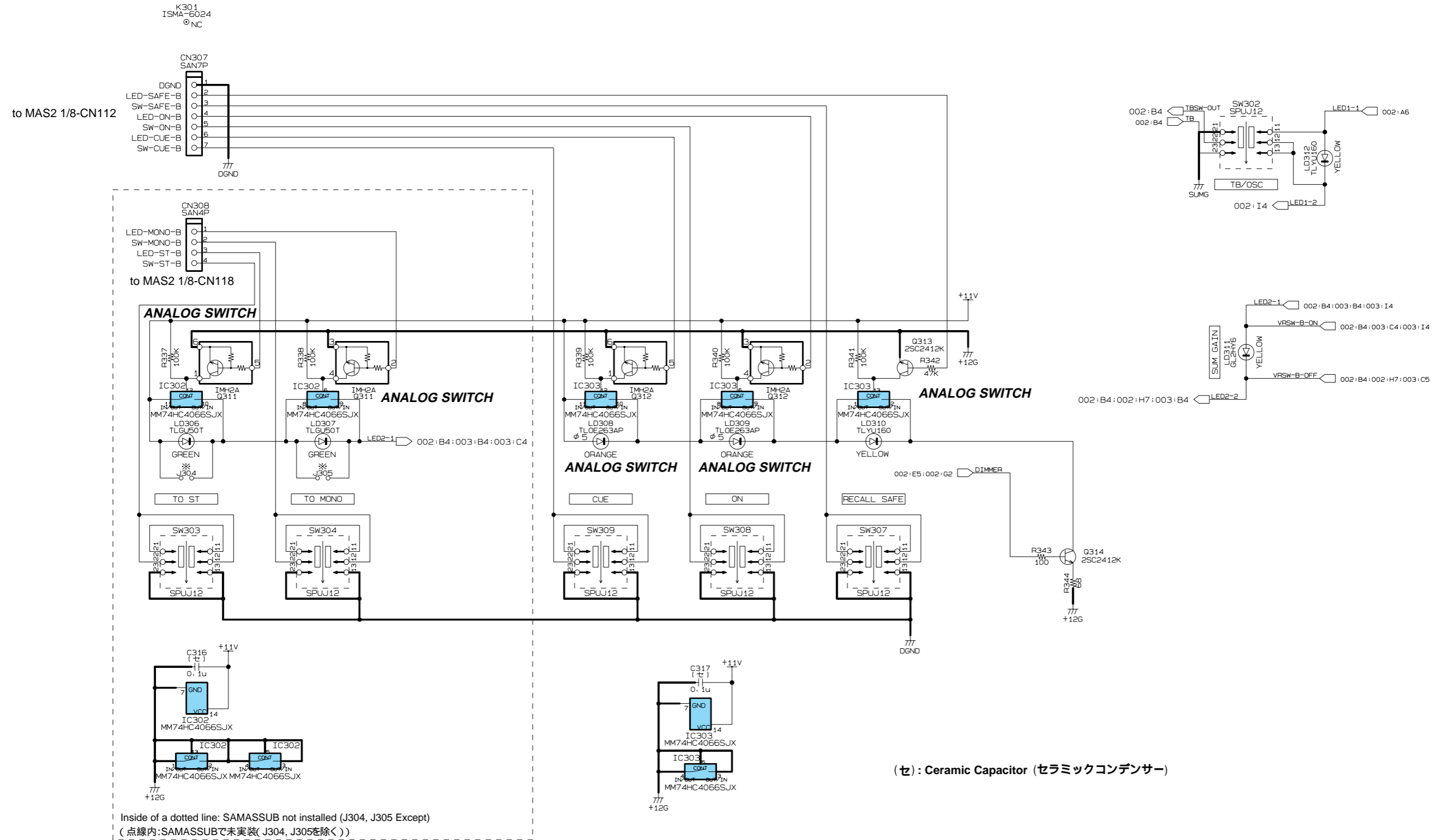


Inside of a dotted line: GAMASSUB not installed (J302, J303, IC301, R328, R332 Except)  
 (点線内:GAMASSUBで未実装(J302, J303, IC301, R328, R332を除く))

- (セ) : Ceramic Capacitor (セラミックコンデンサー)
- (D) : Metal Film Resistor (chip) (チップ金属被膜抵抗)
- (マ) : Mylar Capacitor (マイラーコンデンサー)

■ GAMASSUB 1/17 CIRCUIT DIAGRAM 003 (GAM5000)

GAM5000



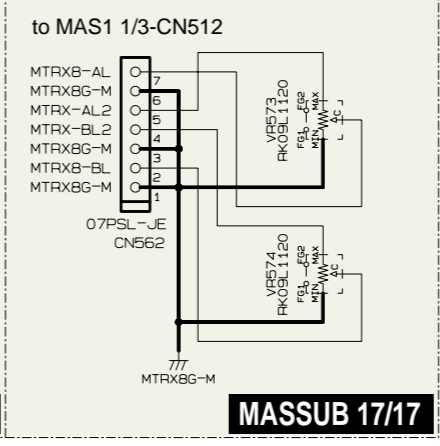
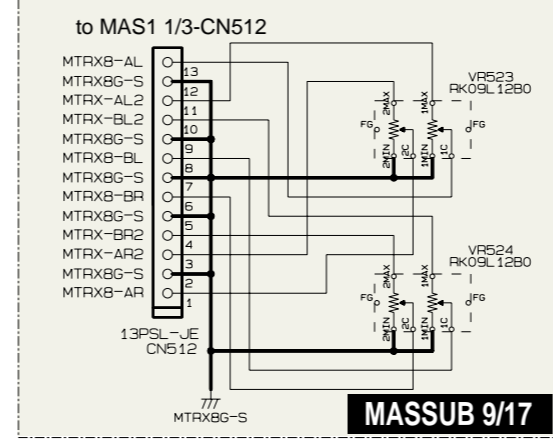
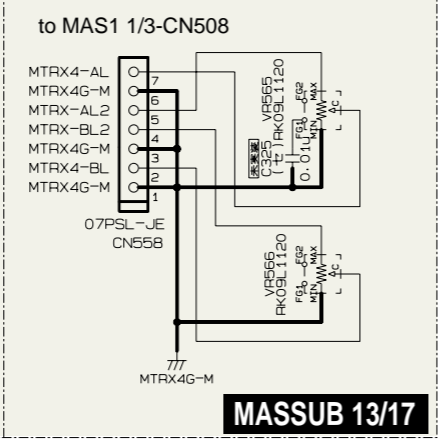
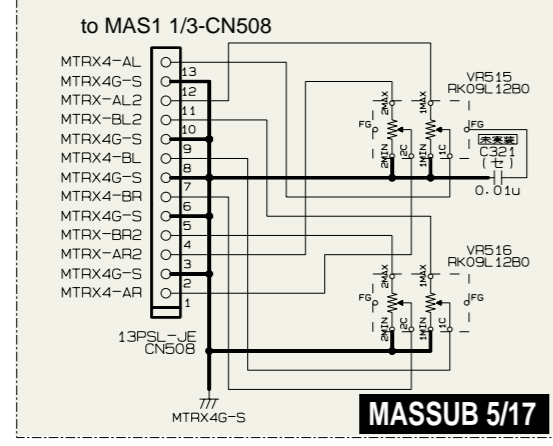
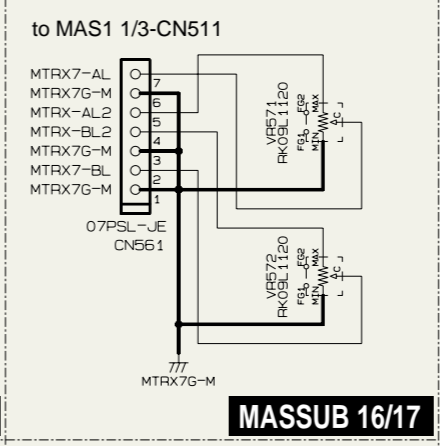
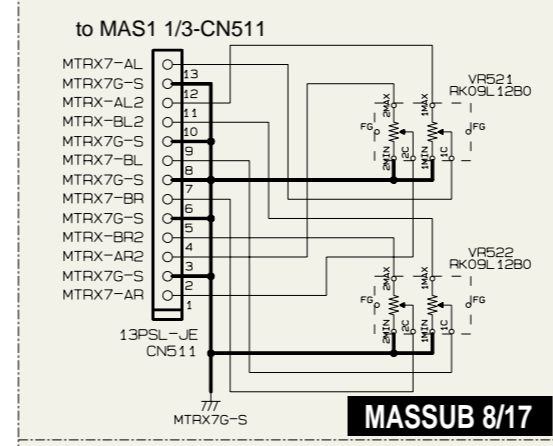
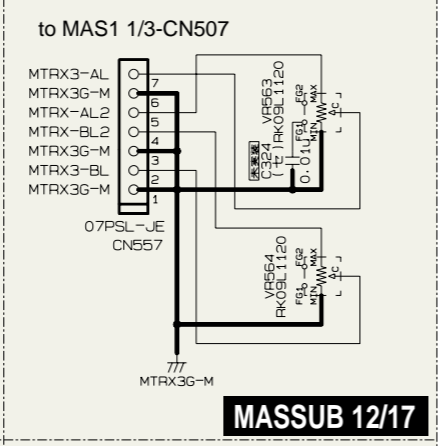
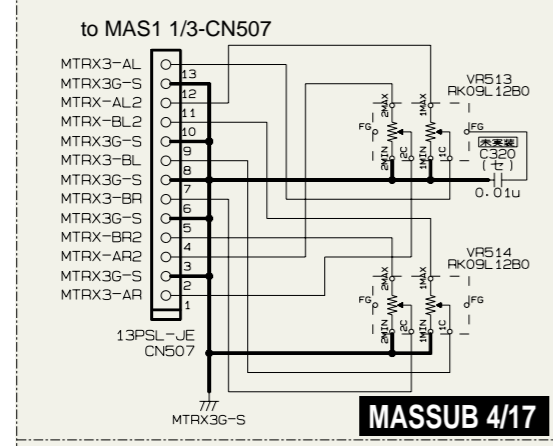
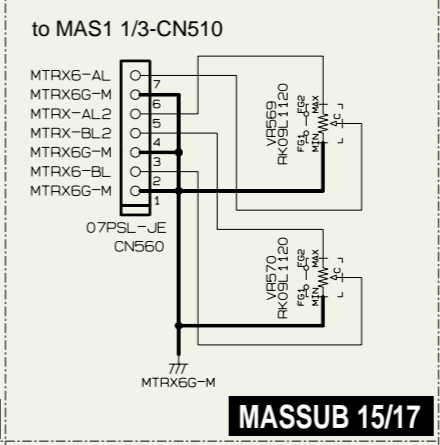
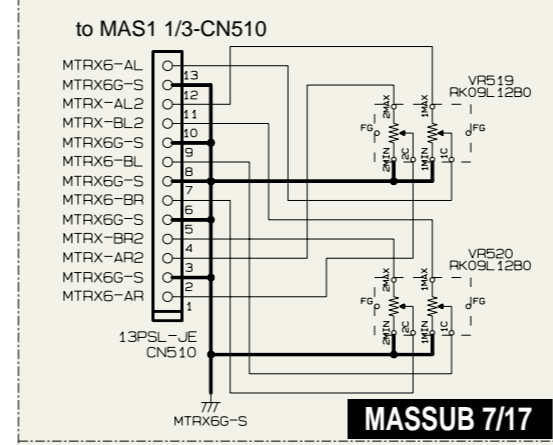
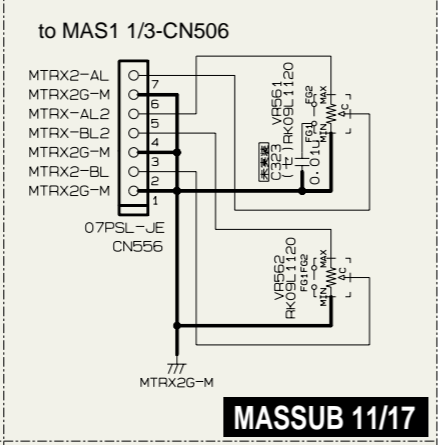
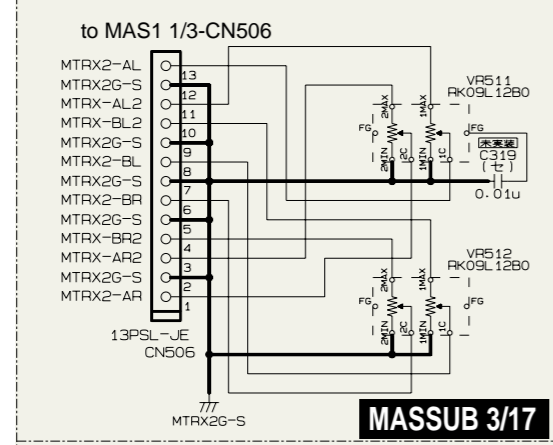
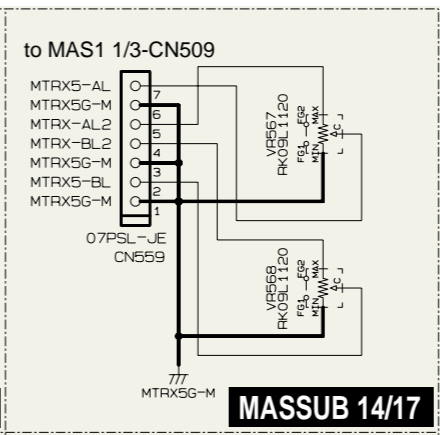
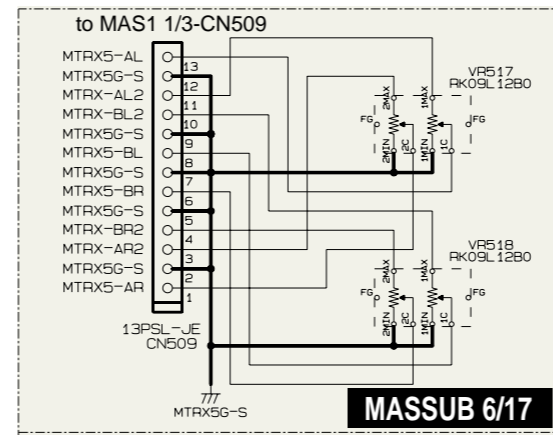
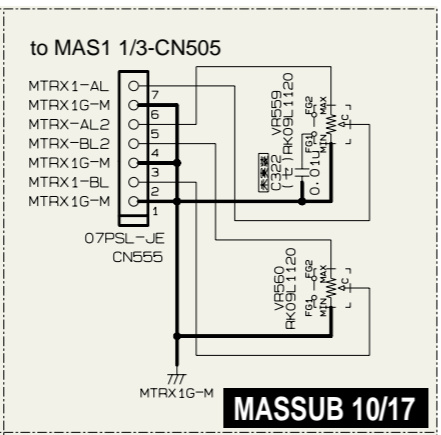
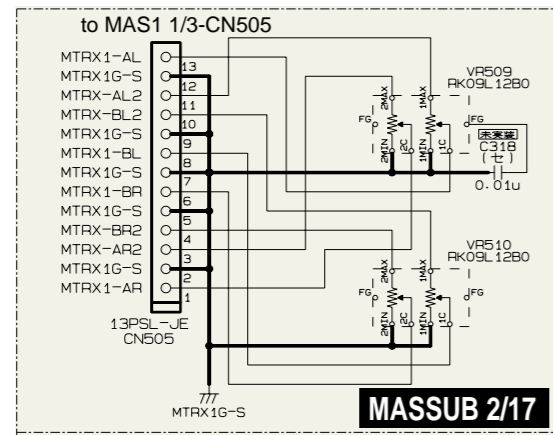
(セ) : Ceramic Capacitor (セラミックコンデンサー)

MASSUB circuit board is common to SAMASSUB and GAMASSUB.  
 (基板MASSUBは、シートSAMASSUBとシートGAMASSUBで共通です。)  
 Parts differ as follows( 以下のように部品が異なります。 ) Sign

| REFERENCE  | SAMASSUB | GAMASSUB      |
|------------|----------|---------------|
| J304, J305 | Mounting | not installed |

# GAMASSUB 2/17-17/17 CIRCUIT DIAGRAM 004 (GAM5000)

# GAM5000

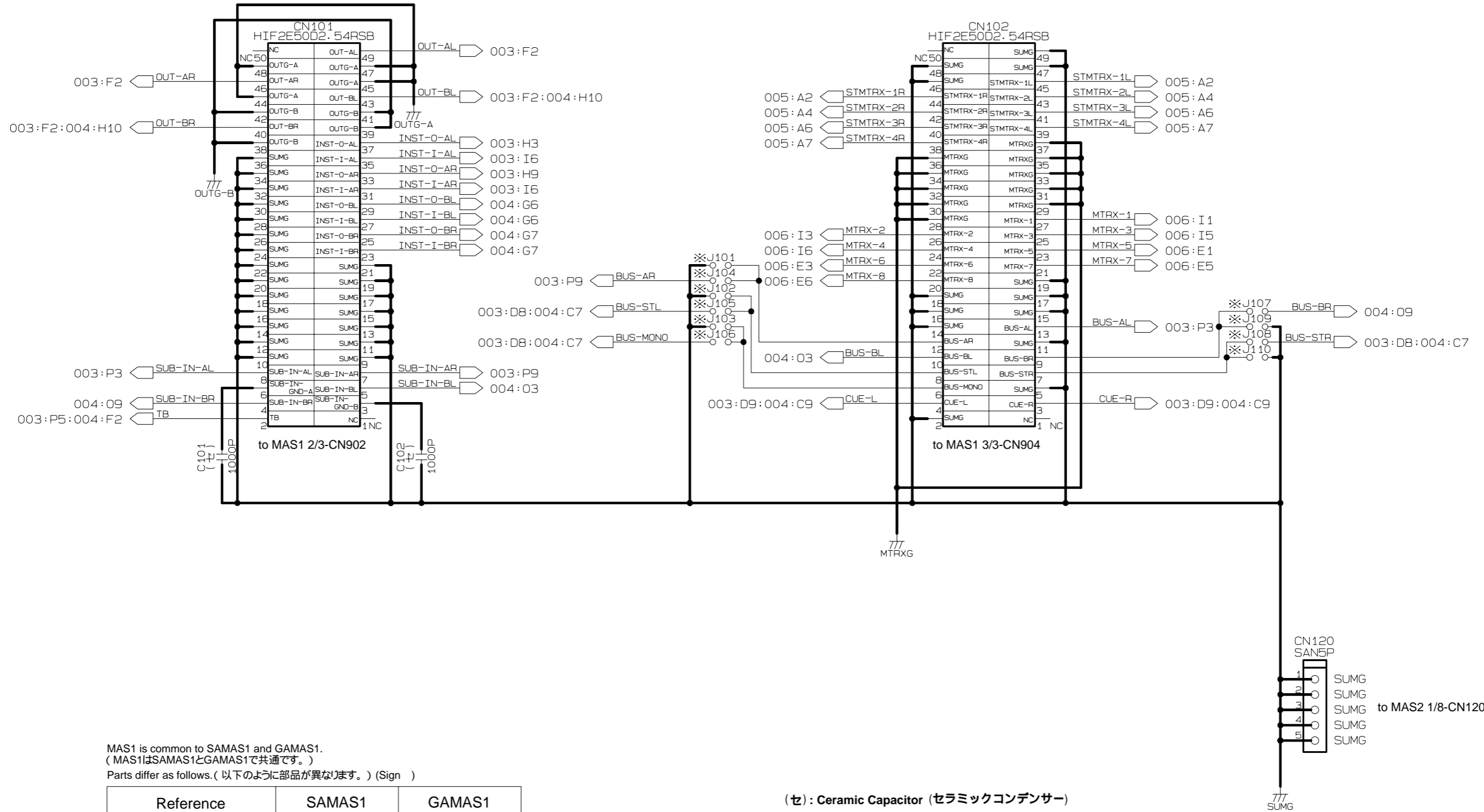


MASSUB circuit board is common to SAMASSUB and GAMASSUB.  
 (基板MASSUBは、シートSAMASSUBとシートGAMASSUBで共通です。)  
 Parts differ as follows ( 以下のように部品が異なります。 )

| REFERENCE            | SAMASSUB      | GAMASSUB      |
|----------------------|---------------|---------------|
| VR509-524, CN505-512 | Mounting      | not installed |
| VR559-574, CN555-562 | not installed | Mounting      |

**GAMAS1 1/3 CIRCUIT DIAGRAM 002 (GAM5000)**

GAM5000



MAS1 is common to SAMAS1 and GAMAS1.  
 (MAS1はSAMAS1とGAMAS1で共通です。)  
 Parts differ as follows. (以下のように部品が異なります。)(Sign )

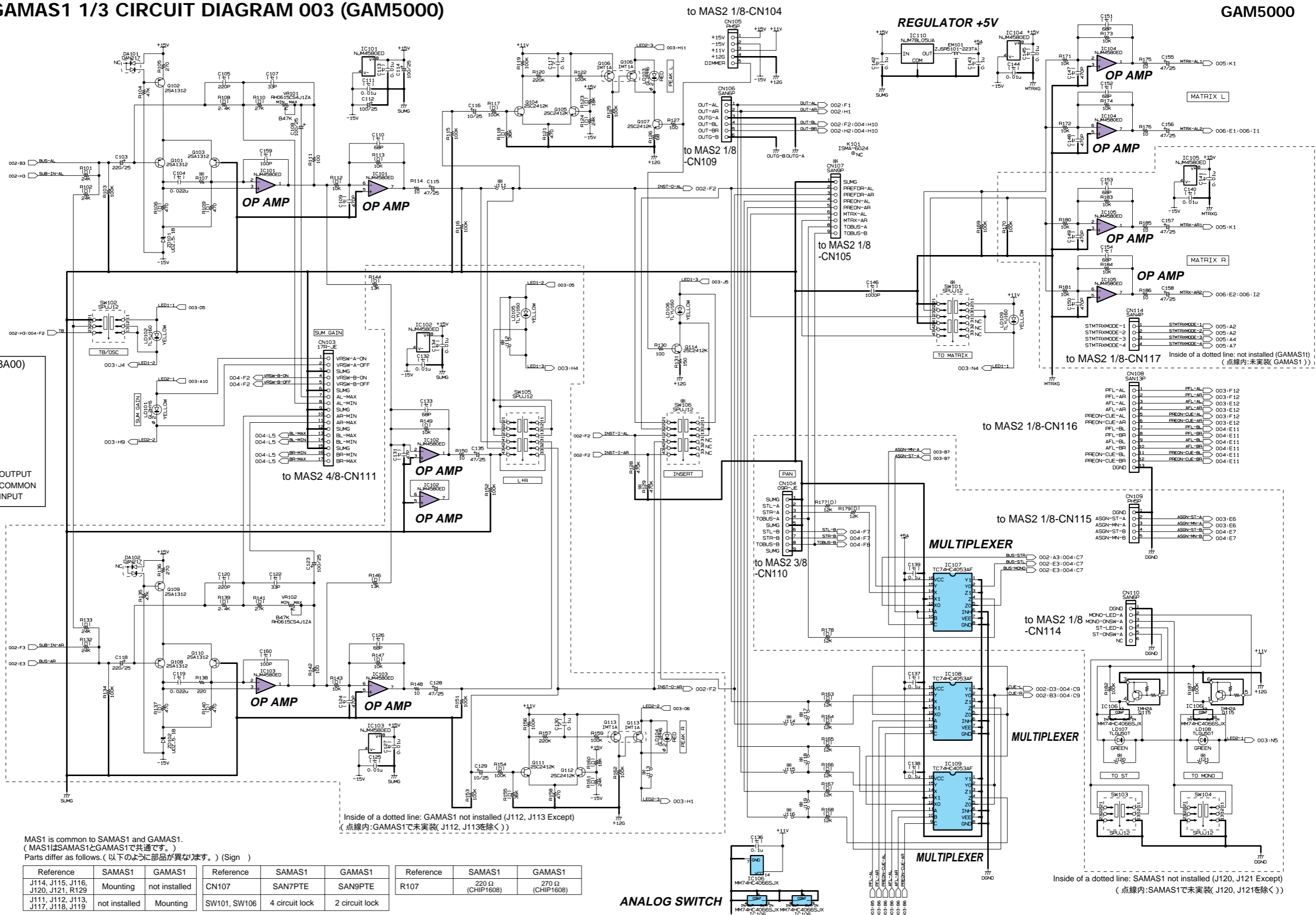
| Reference                      | SAMAS1        | GAMAS1        |
|--------------------------------|---------------|---------------|
| J102, J103, J104<br>J107, J110 | Mounting      | not installed |
| J101, J105, J106<br>J108, J109 | not installed | Mounting      |

(セ) : Ceramic Capacitor (セラミックコンデンサー)

# GAMAS1 1/3 CIRCUIT DIAGRAM 003 (GAM5000)

**\*NJM78L05UA(XJ598A00)  
REGULATOR +5V**

1: OUTPUT  
2: COMMON  
3: INPUT

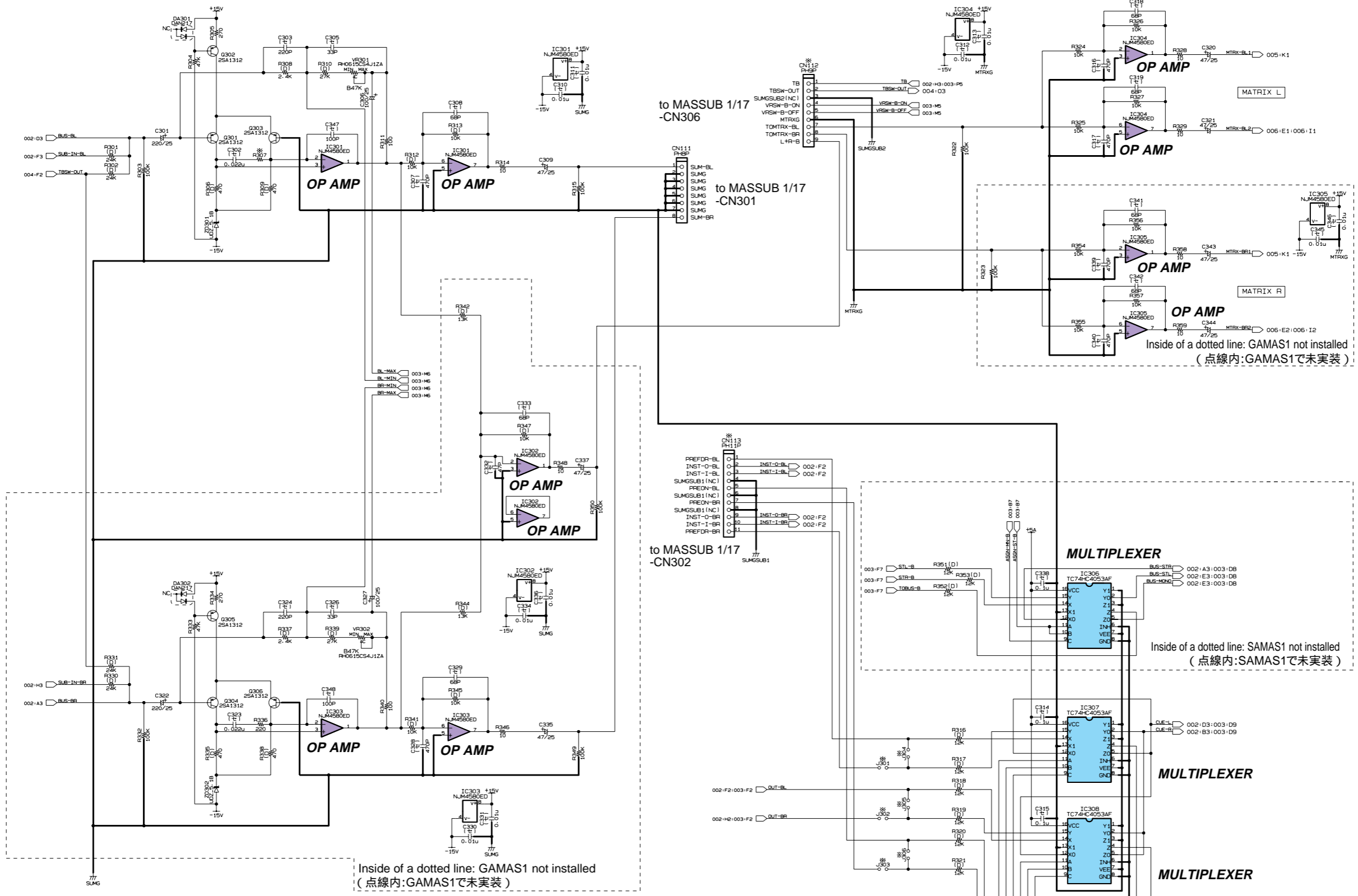


MAS1 is common to SAMAS1 and GAMAS1.  
(MAS1はSAMAS1とGAMAS1で共通です。)  
Parts differ as follows. (以下のように部品が異なります。)(Sign )

| Reference                          | SAMAS1        | GAMAS1        | Reference    | SAMAS1         | GAMAS1         | Reference | SAMAS1           | GAMAS1           |
|------------------------------------|---------------|---------------|--------------|----------------|----------------|-----------|------------------|------------------|
| J114, J115, J116, J120, J121, R129 | Mounting      | not installed | CN107        | SAN7PTE        | SAN9PTE        | R107      | 220 Ω (CHIP1608) | 270 Ω (CHIP1608) |
| J111, J112, J113, J117, J118, J119 | not installed | Mounting      | SW101, SW106 | 4 circuit lock | 2 circuit lock |           |                  |                  |

GAMAS1 1/3 CIRCUIT DIAGRAM 004 (GAM5000)

GAM5000



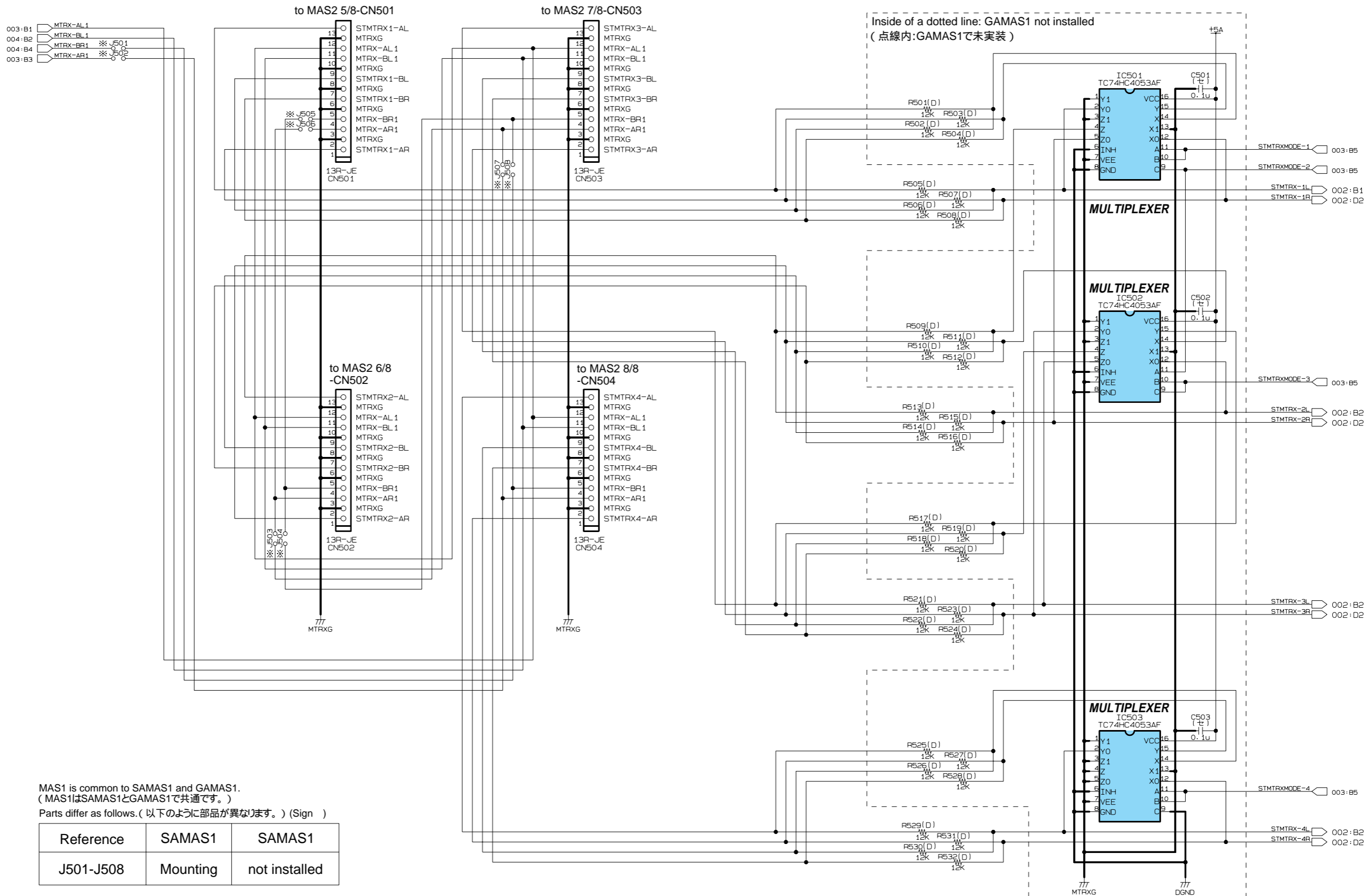
MAS1 is common to SAMAS1 and GAMAS1. (MAS1はSAMAS1とGAMAS1で共通です。) Parts differ as follows. (以下のように部品が異なります。)(Sign)

| Reference        | SAMAS1        | GAMAS1        | Reference | SAMAS1  | GAMAS1 | Reference | SAMAS1           | GAMAS1           |
|------------------|---------------|---------------|-----------|---------|--------|-----------|------------------|------------------|
| J301, J302, J303 | Mounting      | not installed | CN112     | PH9PTE  | PH7PTE | R307      | 220 Ω (CHIP1608) | 270 Ω (CHIP1608) |
| J304, J305, J306 | not installed | Mounting      | CN113     | PH11PTE | PH6PTE |           |                  |                  |

(C) : Ceramic Capacitor (セラミックコンデンサー)  
 (D) : Metal Film Resistor (chip) (チップ金属被膜抵抗)

# GAMAS1 1/3 CIRCUIT DIAGRAM 005 (GAM5000)

GAM5000



MAS1 is common to SAMAS1 and GAMAS1.  
(MAS1はSAMAS1とGAMAS1で共通です。)

Parts differ as follows. (以下のように部品が異なります。)(Sign )

| Reference | SAMAS1   | SAMAS1        |
|-----------|----------|---------------|
| J501-J508 | Mounting | not installed |

(セ) : Ceramic Capacitor (セラミックコンデンサー)  
(D) : Metal Film Resistor (chip) (チップ金属被膜抵抗)



L K J I H G F E D C B A

**GAMAS1 1/3 CIRCUIT DIAGRAM 006 (GAM5000)**

**GAM5000**

002:B2 MTRX-1  
003:B2:006:E1 MTRX-AL2  
004:B2:006:E1 MTRX-BL2  
004:B5:006:E2 MTRX-BR2  
003:B4:006:E2 MTRX-AR2

002:D2 MTRX-2  
002:B2 MTRX-3  
002:D2 MTRX-4

MTRX1-AL, MTRX1-AL2, MTRX1-BL2, MTRX1-BL, MTRX1-BR, MTRX1-AR, MTRX2-AL, MTRX2-AL2, MTRX2-BL2, MTRX2-BL, MTRX2-BR, MTRX2-AR, MTRX3-AL, MTRX3-AL2, MTRX3-BL2, MTRX3-BL, MTRX3-BR, MTRX3-AR, MTRX4-AL, MTRX4-AL2, MTRX4-BL2, MTRX4-BL, MTRX4-BR, MTRX4-AR

13R-JE CN505, 13R-JE CN506, 13R-JE CN507, 13R-JE CN508

777 MTRXG

002:B2 MTRX-5  
003:B2:006:I1 MTRX-AL2  
004:B2:006:I1 MTRX-BL2  
004:B5:006:I2 MTRX-BR2  
003:B4:006:I2 MTRX-AR2

002:D2 MTRX-6  
002:B2 MTRX-7  
002:D3 MTRX-8

MTRX5-AL, MTRX5-AL2, MTRX5-BL2, MTRX5-BL, MTRX5-BR, MTRX5-AR, MTRX6-AL, MTRX6-AL2, MTRX6-BL2, MTRX6-BL, MTRX6-BR, MTRX6-AR, MTRX7-AL, MTRX7-AL2, MTRX7-BL2, MTRX7-BL, MTRX7-BR, MTRX7-AR, MTRX8-AL, MTRX8-AL2, MTRX8-BL2, MTRX8-BL, MTRX8-BR, MTRX8-AR

13R-JE CN509, 13R-JE CN510, 13R-JE CN511, 13R-JE CN512

777 MTRXG

MAS1 is common to SAMAS1 and GAMAS1.  
(MAS1はSAMAS1とGAMAS1で共通です。)  
Parts differ as follows. (以下のように部品が異なります。)

| Reference               | SAMAS1              | GAMAS1              |
|-------------------------|---------------------|---------------------|
| R537-R552               | 18K Ω<br>(CHIP2125) | 12K Ω<br>(CHIP2125) |
| R569-R584               | 18K Ω<br>(CHIP2125) | not installed       |
| R553-R568,<br>R585-R600 | 36K Ω<br>(CHIP2125) | not installed       |
| CN505-512               | 13R-JE              | 07R-JE              |

MAS1 is common to SAMAS1 and GAMAS1. (MAS1はSAMAS1とGAMAS1で共通です。)  
The connection places of a connector differ as follows.  
(以下のようにコネクタの接続先が異なります。)

| Reference | SAMAS1                     | GAMAS1                      |
|-----------|----------------------------|-----------------------------|
| CN505     | to SAMASSUB 2/17<br>-CN505 | to GAMASSUB 10/17<br>-CN555 |
| CN506     | to SAMASSUB 3/17<br>-CN506 | to GAMASSUB 11/17<br>-CN556 |
| CN507     | to SAMASSUB 4/17<br>-CN507 | to GAMASSUB 12/17<br>-CN557 |
| CN508     | to SAMASSUB 5/17<br>-CN508 | to GAMASSUB 13/17<br>-CN558 |
| CN509     | to SAMASSUB 6/17<br>-CN509 | to GAMASSUB 14/17<br>-CN559 |
| CN510     | to SAMASSUB 7/17<br>-CN510 | to GAMASSUB 15/17<br>-CN560 |
| CN511     | to SAMASSUB 8/17<br>-CN511 | to GAMASSUB 16/17<br>-CN561 |
| CN512     | to SAMASSUB 9/17<br>-CN512 | to GAMASSUB 17/17<br>-CN562 |

(D) : Metal Film Resistor (chip) (チップ金属被膜抵抗)

**GAMAS1 1/3 CIRCUIT DIAGRAM 006 (GAM5000)**

28CC1-8828408-6

10

L

K

J

I

H

G

F

E

D

C

B

A

■ **GAMAS1 2/3, 3/3 CIRCUIT DIAGRAM 007 (GAM5000)**

GAM5000

SAMAS1:  
to MASBUS1  
-CN101~CN106  
GAMAS1:  
to MASBUS1  
-CN107~CN110

**GAMAS1 2/3**

to MAS 1/3  
-CN101

**BUS Connector Section  
(BUSコネクタ部)**

SAMAS1:  
to MASBUS1  
-CN101~CN106  
GAMAS1:  
to MASBUS1  
-CN107~CN110

SAMAS1:  
to MASBUS2  
-CN101~CN106  
GAMAS1:  
to MASBUS2  
-CN107~CN110

**GAMAS1 3/3**

to MAS 1/3  
-CN102

**BUS Connector Section  
(BUSコネクタ部)**

SAMAS1:  
to MASBUS2  
-CN101~CN106  
GAMAS1:  
to MASBUS2  
-CN107~CN110

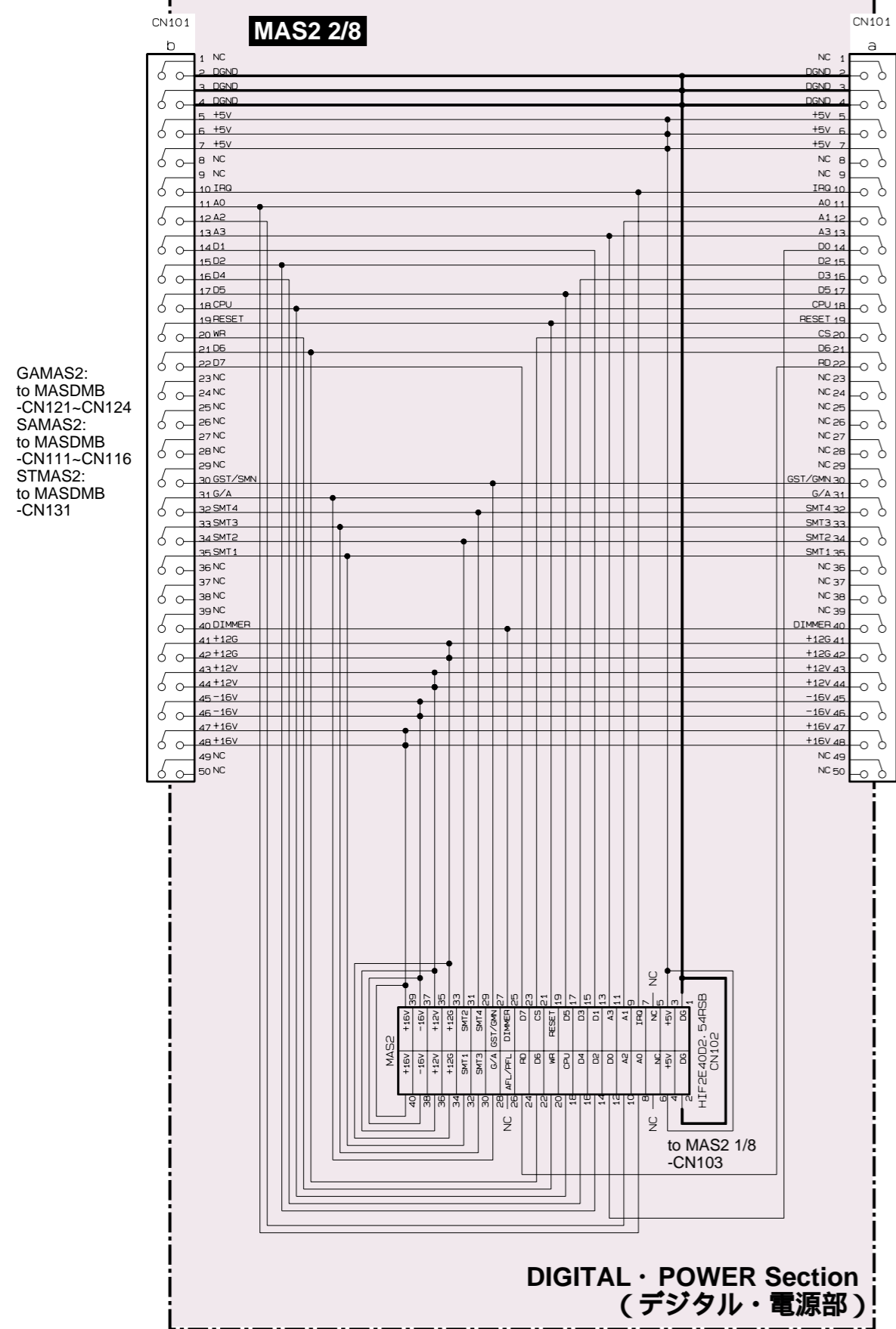
28CC1-8828408-7

■ **GAMAS1 2/3, 3/3 CIRCUIT DIAGRAM 007 (GAM5000)**

11

**GAMAS2 1/8, 2/8 CIRCUIT DIAGRAM 002 (GAM5000)**

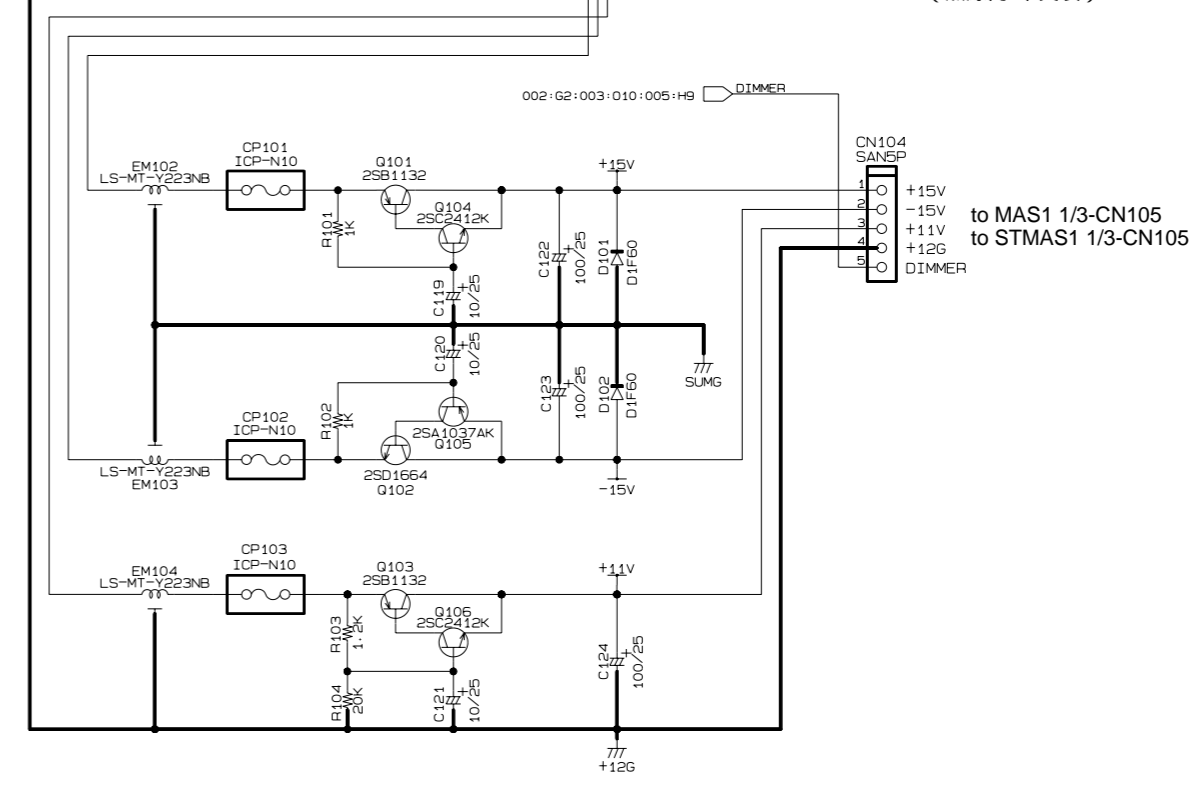
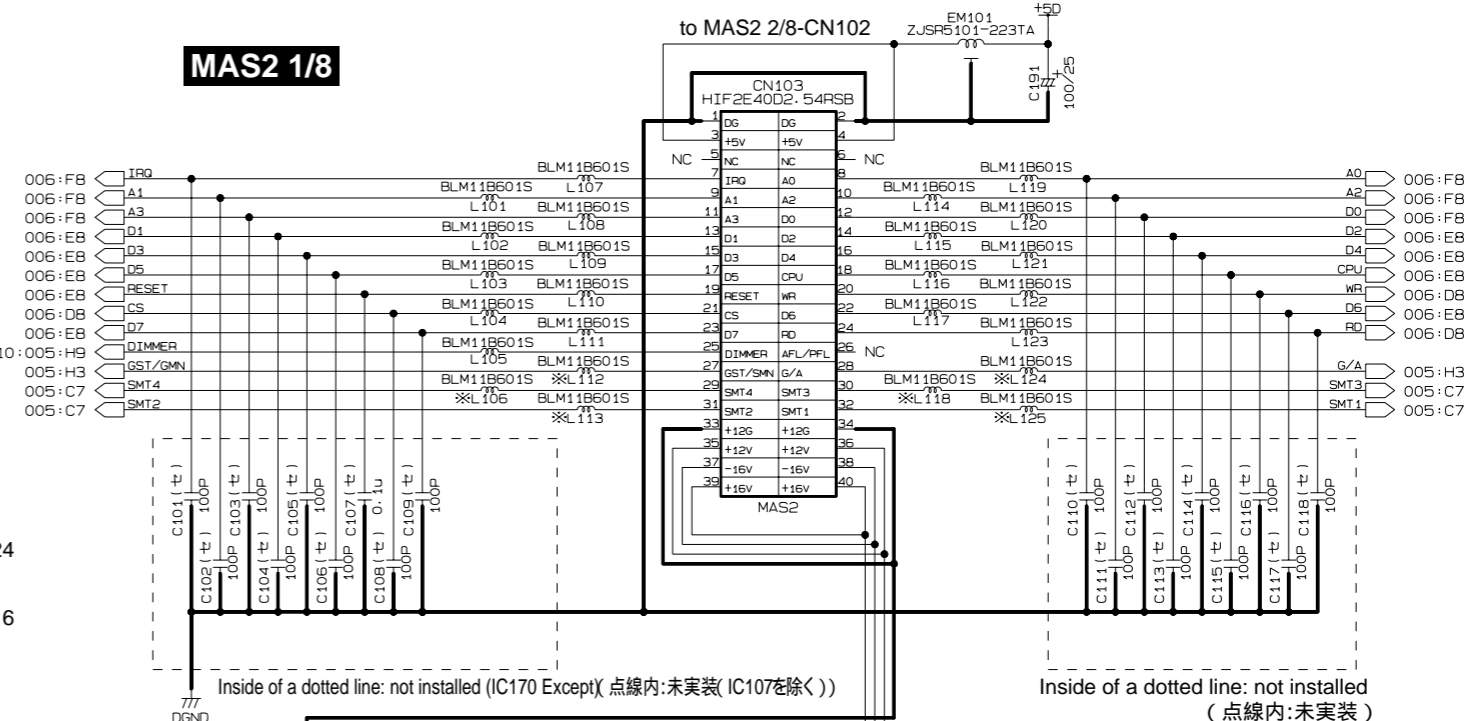
GAM5000



GAMAS2:  
to MASDDB  
-CN121~CN124  
SAMAS2:  
to MASDDB  
-CN111~CN116  
STMAS2:  
to MASDDB  
-CN131

GAMAS2:  
to MASDDB  
-CN121~CN124  
SAMAS2:  
to MASDDB  
-CN111~CN116  
STMAS2:  
to MASDDB  
-CN131

002:C4:003:010:005:H9  
DIMMER  
GST/GMN  
SMT4  
SMT2  
SMT1



MAS2 is common to SAMAS2, GAMAS2 and STMAS2.  
(MAS2はSAMAS2, GAMAS2, STMAS2で共通です。)

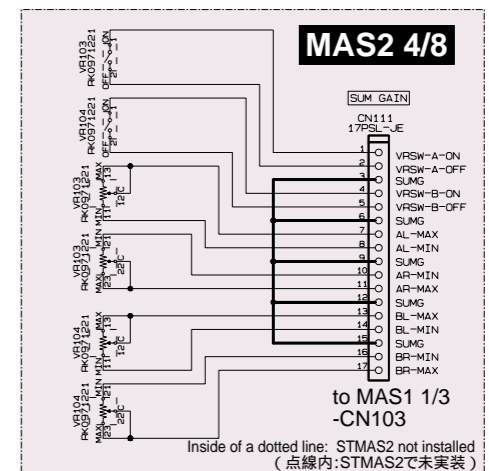
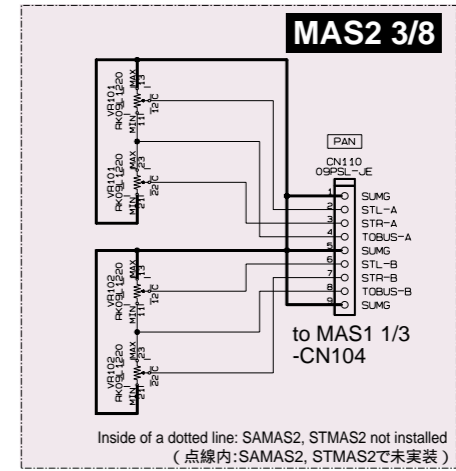
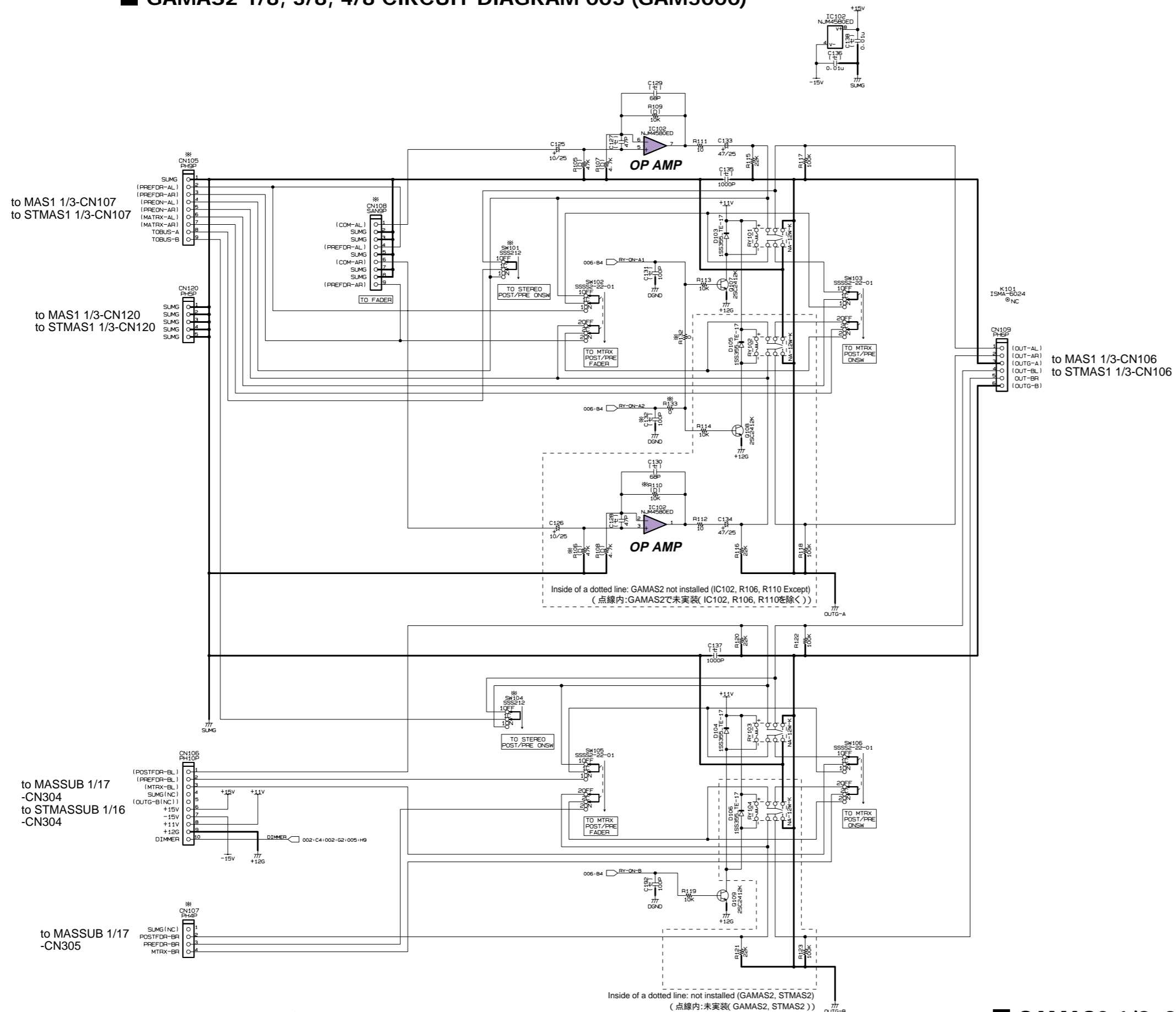
Parts differ as follows. (以下のように部品が異なります。)(Sign )

| Reference              | SAMAS2        | GAMAS2        | STMAS2        |
|------------------------|---------------|---------------|---------------|
| L112, L124             | not installed | Mounting      | not installed |
| L106, L113, L118, L125 | Mounting      | not installed | Mounting      |

**GAMAS2 1/8, 2/8 CIRCUIT DIAGRAM 002 (GAM5000)**

**GAMAS2 1/8, 3/8, 4/8 CIRCUIT DIAGRAM 003 (GAM5000)**

GAM5000



MAS2 is common to SAMAS2, GAMAS2 and STMAS2.  
(MAS2はSAMAS2, GAMAS2, STMAS2で共通です。)  
Parts differ as follows. (以下のように部品が異なります。)(Sign)

| Reference    | SAMAS2                  | GAMAS2                | STMAS2                  |
|--------------|-------------------------|-----------------------|-------------------------|
| SW101, SW104 | not installed           | Mounting              | not installed           |
| CN107        | Mounting                | not installed         | not installed           |
| R132         | Mounting                | not installed         | not installed           |
| R133, C132   | not installed           | not installed         | Mounting                |
| R106         | 47K Ω (D)<br>(CHIP2125) | 0 Ω (D)<br>(CHIP2125) | 47K Ω (D)<br>(CHIP2125) |
| R110         | 10K Ω (D)<br>(CHIP2125) | 0 Ω (D)<br>(CHIP2125) | 10K Ω (D)<br>(CHIP2125) |
| R105         | PH7PTE                  | PH9PTE                | PH7PTE                  |
| CN108        | SAN9PTE                 | SAN14PTE              | SAN9PTE                 |

Moreover, the signal names in ( ) differ as follows by SAMAS2, GAMAS2, and STMAS2.  
(また、SAMAS2, GAMAS2とSTMAS2で( )内の信号名が、以下のように異なります。)

| Signal name correspondence table<br>(信号名対応表) |              | Signal name correspondence table<br>(信号名対応表) |           |
|--|--------------|--|-----------|
| SAMAS2, GAMAS2                               | STMAS2       | SAMAS2, GAMAS2                               | STMAS2    |
| PREFDR-AL                                    | PREFDR-STL   | OUT-AL                                       | OUT-STL   |
| PREFDR-AR                                    | PREFDR-STR   | OUT-AR                                       | OUT-STR   |
| PREON-AL                                     | PREON-STL    | OUTG-A                                       | OUTG-ST   |
| PREON-AR                                     | PREON-STR    | OUT-BL                                       | OUT-MN/C  |
| MTRX-AL                                      | MTRX-STL     | OUTG-B                                       | OUTG-MN/C |
| MTRX-AR                                      | MTRX-STR     |  |           |
| POSTFDR-BL                                   | POSTFDR-MN/C |  |           |
| PREFDR-BL                                    | PREFDR-MN/C  |  |           |
| MTRX-BL                                      | MTRX-MN/C    |  |           |
| COM-AL                                       | COM-STL      |  |           |
| COM-AR                                       | COMSTR       |  |           |

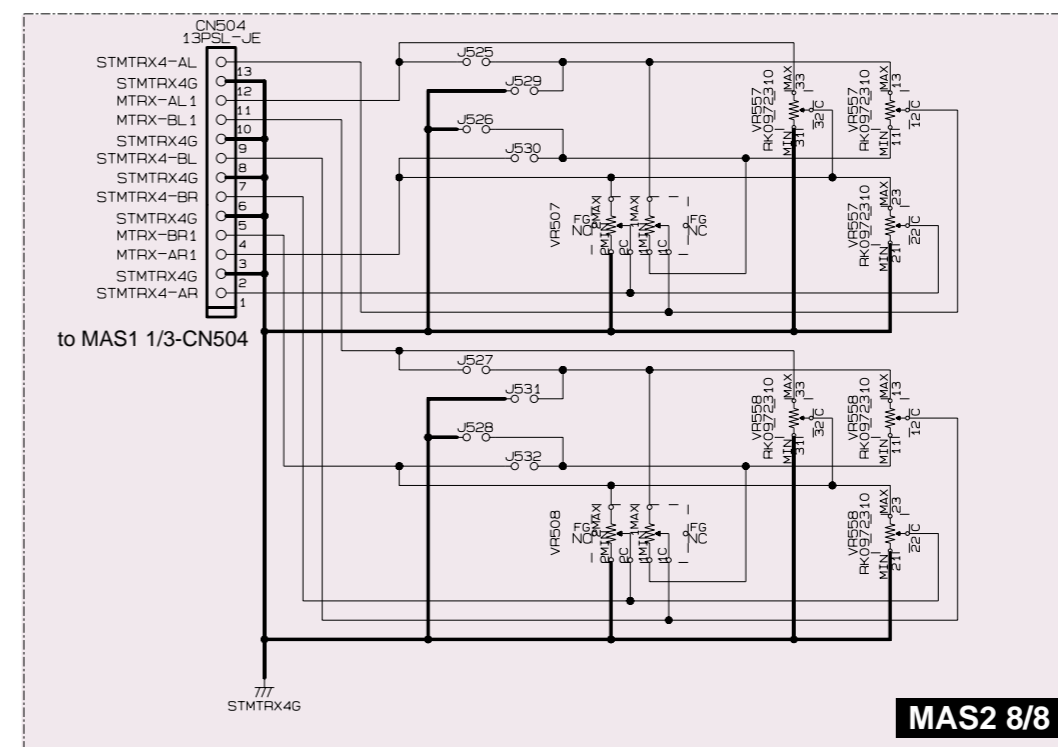
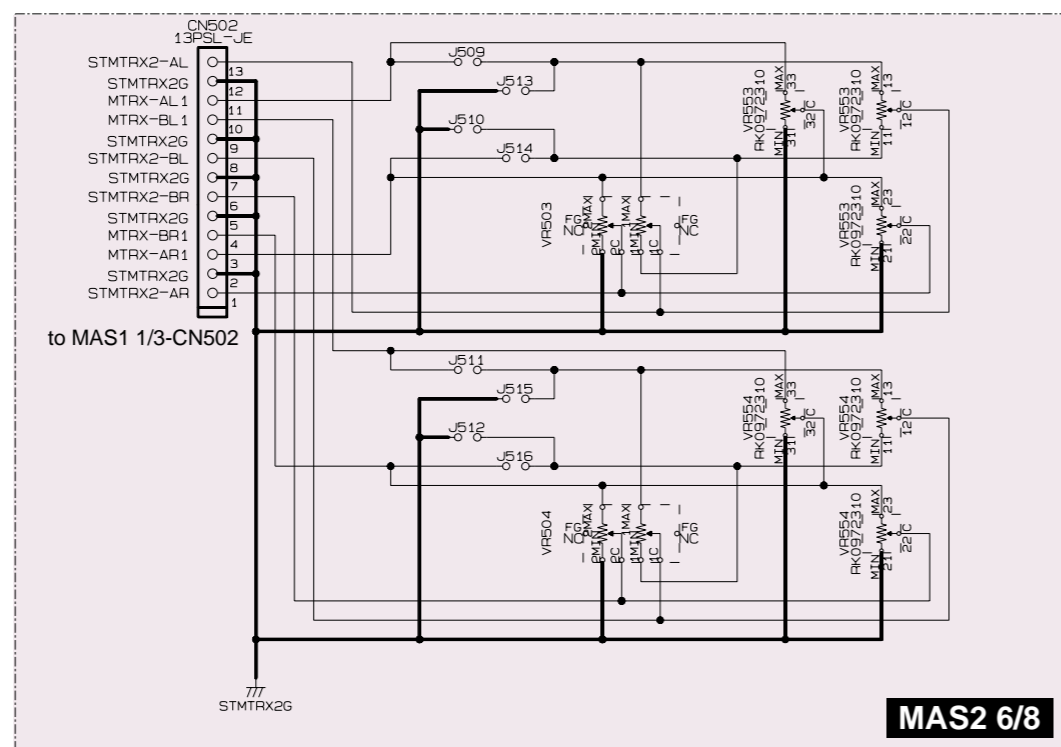
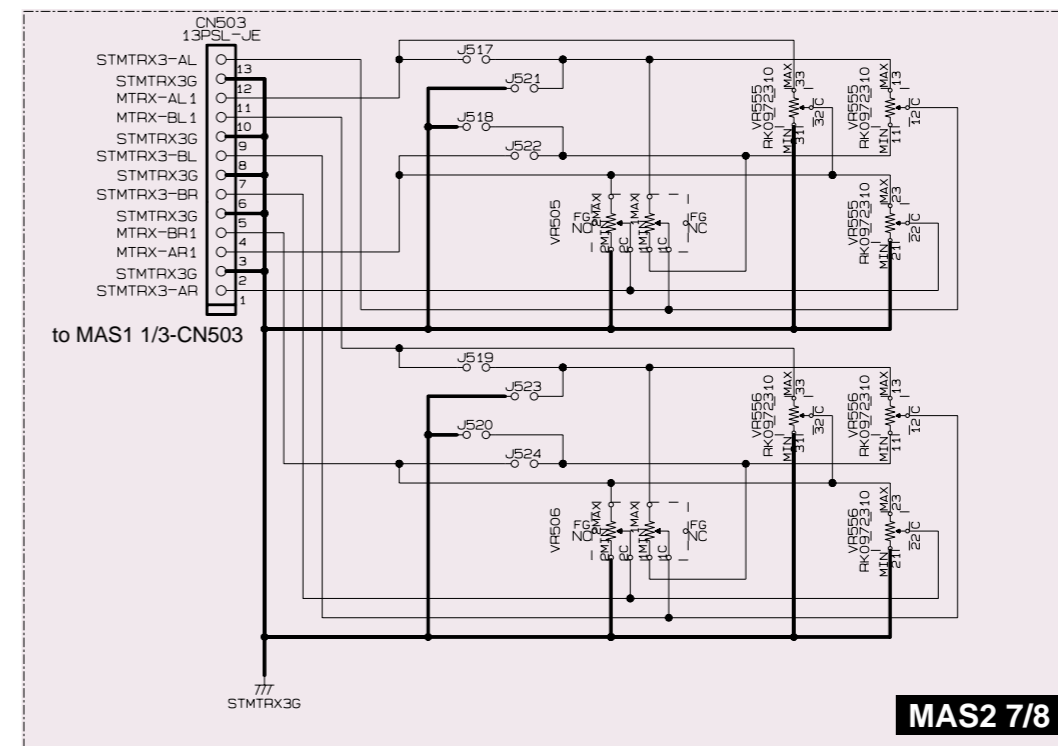
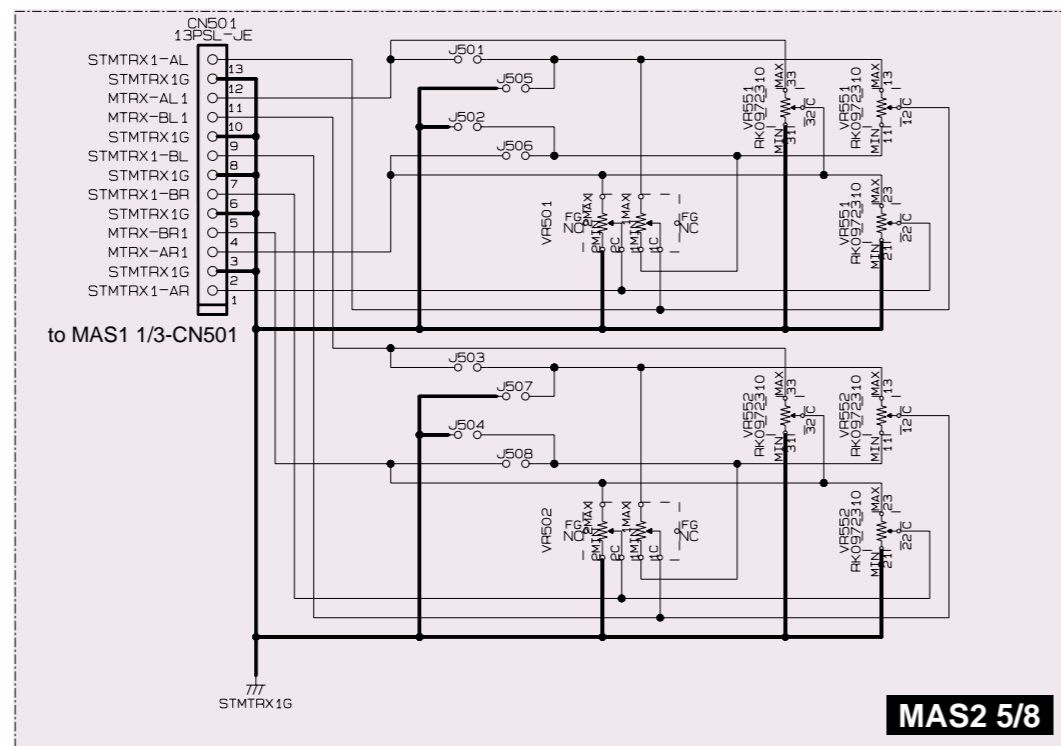
28CC1-8828409-3

(C) : Ceramic Capacitor (セラミックコンデンサー)  
(D) : Metal Film Resistor (chip) (チップ金属被膜抵抗)

**GAMAS2 1/8, 3/8, 4/8 CIRCUIT DIAGRAM 003 (GAM5000)**

# GAMAS2 5/8-8/8 CIRCUIT DIAGRAM 004 (GAM5000)

GAM5000



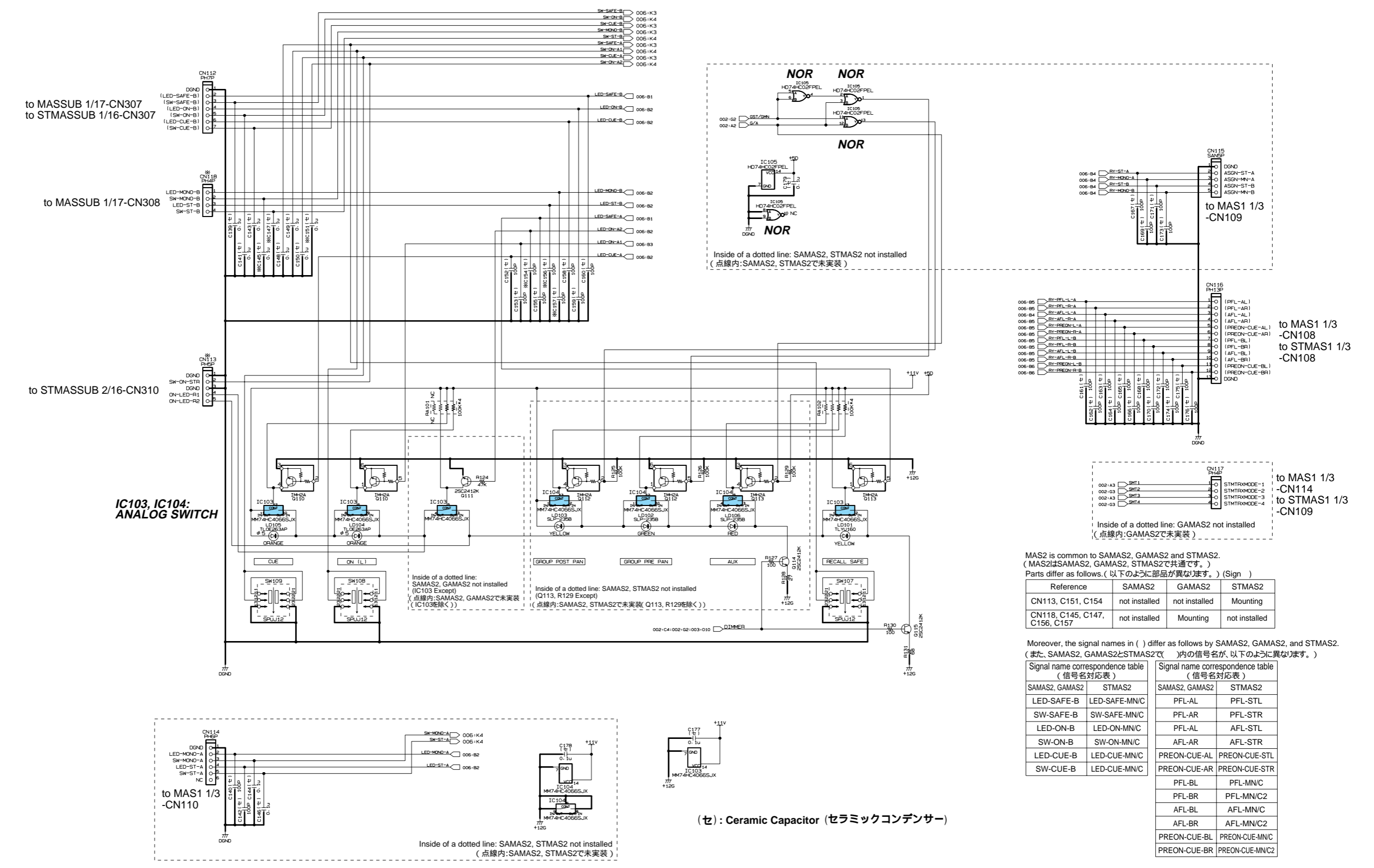
MAS2 is common to SAMAS2, GAMAS2 and STMAS2. ( MAS2はSAMAS2, GAMAS2, STMAS2で共通です。 )  
 Parts differ as follows. ( 以下のように部品が異なります。 )

| Reference   | SAMAS2        | GAMAS2        | STMAS2        |
|---|---------------|---------------|---------------|
| J501-J504, J509-J512, J517-J520, J525-J528, VR501-VR508 | Mounting      | not installed | not installed |
| J505-J508, J513-J516, J521-J524, J529-J532, VR551-VR558 | not installed | Mounting      | not installed |
| CN501-CN504   | Mounting      | Mounting      | not installed |

# GAMAS2 5/8-8/8 CIRCUIT DIAGRAM 004 (GAM5000)

GAMAS2 1/8 CIRCUIT DIAGRAM 005 (GAM5000)

GAM5000



MAS2 is common to SAMAS2, GAMAS2 and STMAS2. (MAS2はSAMAS2, GAMAS2, STMAS2で共通です。)  
Parts differ as follows. (以下のように部品が異なります。)(Sign)

| Reference                     | SAMAS2        | GAMAS2        | STMAS2        |
|-------------------------------|---------------|---------------|---------------|
| CN113, C151, C154             | not installed | not installed | Mounting      |
| CN118, C145, C147, C156, C157 | not installed | Mounting      | not installed |

Moreover, the signal names in ( ) differ as follows by SAMAS2, GAMAS2, and STMAS2. (また、SAMAS2, GAMAS2とSTMAS2で( )内の信号名が、以下のように異なります。)

| Signal name correspondence table (信号名対応表) |               | Signal name correspondence table (信号名対応表) |                 |
|---|---------------|---|-----------------|
| SAMAS2, GAMAS2                            | STMAS2        | SAMAS2, GAMAS2                            | STMAS2          |
| LED-SAFE-B                                | LED-SAFE-MN/C | PFL-AL                                    | PFL-STL         |
| SW-SAFE-B                                 | SW-SAFE-MN/C  | PFL-AR                                    | PFL-STR         |
| LED-ON-B                                  | LED-ON-MN/C   | PFL-AL                                    | AFL-STL         |
| SW-ON-B                                   | SW-ON-MN/C    | AFL-AR                                    | AFL-STR         |
| LED-CUE-B                                 | LED-CUE-MN/C  | PREON-CUE-AL                              | PREON-CUE-STL   |
| SW-CUE-B                                  | LED-CUE-MN/C  | PREON-CUE-AR                              | PREON-CUE-STR   |
|   |               | PFL-BL                                    | PFL-MN/C        |
|   |               | PFL-BR                                    | PFL-MN/C2       |
|   |               | AFL-BL                                    | AFL-MN/C        |
|   |               | AFL-BR                                    | AFL-MN/C2       |
|   |               | PREON-CUE-BL                              | PREON-CUE-MN/C  |
|   |               | PREON-CUE-BR                              | PREON-CUE-MN/C2 |

GAMAS2 1/8 CIRCUIT DIAGRAM 006 (GAM5000)

GAM5000

