

POWER AMPLIFIER IPA 8200

SERVICE MANUAL



■ CONTENTS (目次)

| | |
|--|----|
| SPECIFICATIONS | 3 |
| 仕様 | 4 |
| DIMENSIONS (寸法図) | 5 |
| PANEL LAYOUT (パネルレイアウト) | 6 |
| CIRCUIT BOARD LAYOUT (ユニットレイアウト) | 7 |
| SERVICE PRECAUTIONS (サービス時の注意) | 8 |
| DISASSEMBLY PROCEDURES (分解手順) | 11 |
| IC BLOCK DIAGRAM (IC ブロック図) | 22 |
| CIRCUIT BOARDS (シート基板図) | 23 |
| INSPECTIONS | 43 |
| 検査 | 45 |
| ADJUSTMENT OF AMP circuit board (AMP シートの調整) | 46 |
| PARTS LIST | |
| IC & DIODE FIGURES | |
| WIRING DIAGRAM | |
| BLOCK DIAGRAM | |
| CIRCUIT DIAGRAM | |

IMPORTANT NOTICE

This manual has been provided for the use of authorized Yamaha Retailers and their service personnel. It has been assumed that basic service procedures inherent to the industry, and more specifically Yamaha Products, are already known and understood by the users, and have therefore not been restated.

WARNING: Failure to follow appropriate service and safety procedures when servicing this product may result in personal injury, destruction of expensive components and failure of the product to perform as specified. For these reasons, we advise all Yamaha product owners that all service required should be performed by an authorized Yamaha Retailer or the appointed service representative.

IMPORTANT: This presentation or sale of this manual to any individual or firm does not constitute authorization, certification, recognition of any applicable technical capabilities, or establish a principal-agent relationship of any form.

The data provided is believed to be accurate and applicable to the unit(s) indicated on the cover. The research engineering, and service departments of Yamaha are continually striving to improve Yamaha products. Modifications are, therefore, inevitable and changes in specification are subject to change without notice or obligation to retrofit. Should any discrepancy appear to exist, please contact the distributor's Service Division.

WARNING: Static discharges can destroy expensive components. Discharge any static electricity your body may have accumulated by grounding yourself to the ground bus in the unit (heavy gauge black wires connect to this bus).

IMPORTANT: Turn the unit OFF during disassembly and parts replacement. Recheck all work before you apply power to the unit.

WARNING: This product contains chemicals known to the State of California to cause cancer, or birth defects or other reproductive harm.

DO NOT PLACE SOLDER, ELECTRICAL/ELECTRONIC OR PLASTIC COMPONENTS IN YOUR MOUTH FOR ANY REASON WHATSOEVER!

Avoid prolonged, unprotected contact between solder and your skin! When soldering, do not inhale solder fumes or expose eyes to solder/flux vapor!

If you come in contact with solder or components located inside the enclosure of this product, wash your hands before handling food.

IMPORTANT NOTICE FOR THE UNITED KINGDOM


Connecting the Plug and Cord

WARNING: THIS APPARATUS MUST BE EARTHED

IMPORTANT. The wires in this mains lead are coloured in accordance with the following code:

| | |
|-------------------|---------|
| GREEN-AND-YELLOW: | EARTH |
| BLUE: | NEUTRAL |
| BROWN: | LIVE |


As the colours of the wires in the mains lead of this apparatus may not correspond with the coloured markings identifying the terminals in your plug, proceed as follows:


The wire which is coloured GREEN and YELLOW must be connected to the terminal in the plug which is marked by the letter E or by the safety earth symbol  or colored GREEN or colored GREEN and YELLOW.

The wire which is coloured BLUE must be connected to the terminal which is marked with the letter N or coloured BLACK.

The wire which is coloured BROWN must be connected to the terminal which is marked with the letter L or coloured RED.

■ WARNING (注意)

Components having special characteristics are marked  and must be replaced with parts having specification equal to those originally installed.

 印の商品は、安全を維持するために重要な部品です。交換する場合は、安全のために必ず指定の部品をご使用ください。

SPECIFICATIONS

General Specifications

| | | | | |
|-------------------------|--|--|--------|---------|
| Output Power | 4Ω per channel | 200W x 8 | | |
| | 8Ω per channel | 100W x 8 | | |
| | 8Ω / BRIDGE | 400W x 4 | | |
| 1kHz, THD+N=1% | 4Ω per channel | 180W x 8 | | |
| | 8Ω per channel | 90W x 8 | | |
| | 8Ω / BRIDGE | 360W x 4 | | |
| 20Hz-20kHz, THD+N=1% | 4Ω per channel | 200W x 8 | | |
| | 8Ω per channel | 100W x 8 | | |
| | 8Ω / BRIDGE | 400W x 4 | | |
| Maximum Input Level | | +24dBu | | |
| Input Impedance | | 20kΩ(balanced), 10kΩ(unbalanced) | | |
| Input Sensitivity (dBu) | Switch Position | +4dBu | 26dB | 32dB |
| | 8Ω, Att. max | Input sensitivity | +4dBu | +5.2dBu |
| Voltage Gain | Switch Position | +4dBu | 26dB | 32dB |
| | Att. Max | Voltage Gain | 27.2dB | 26dB |
| S/N Ratio | A-weighted | ≥100dB | | |
| THD+N | 1kHz, half power, 4Ω | ≤0.1% | | |
| Frequency Response | 1W, 8Ω | 20Hz-20kHz, +0dB, -1.5dB | | |
| Channel Separation | 1kHz, half power, 8Ω Att. max, input 600Ω shunt | ≥60dB | | |
| Controls | Front Panel | POWER switch (rocker) MUTE switch (push ON/push OFF) x 8 Attenuator (41position) x 8 | | |
| | Rear Panel | MODE switch (STEREO/BRIDGE/PARALLEL) x 4 GAIN switch (+4dBu/26dB/32dB) x 1 HPF switch (OFF/20Hz/55Hz) x 1 | | |
| Connectors | Input | Euroblock (balanced)/ch | | |
| | Output | Barrier strip/ch | | |
| | Power | AC inlet x 1 | | |
| Indicators | | POWER x 1 (Green), PROTECT x 8 (Red), CLIP x 8 (Red), SIGNAL x 8 (Green), MUTE x 8 (Red), PARALLEL x 4 (Orange), BRIDGE x 4 (Orange) | | |
| Load Protection | POWER switch on/off | Output mute | | |
| | DC-fault | Power supply shutdown | | |
| Amplifier Protection | Thermal | Output mute (heatsink temp ≥95°C) | | |
| | Over current | Power supply shutdown | | |
| Power Supply Protection | Thermal | Power supply shutdown (heatsink temp ≥85°C) | | |
| Limiter Circuit | Clip limiting | Limiting level ≥100W@8Ω or 200W@4Ω | | |
| Cooling | | High/Low two speed fan x 2 | | |
| AC Power Requirement | | U.S./Canada: 120V, 60Hz Korea: 220V, 60Hz China: 220V, 50Hz Other: 220V-240V, 50/60Hz | | |
| Power Consumption | | 400W | | |
| Dimensions (W x H x D) | | 480 x 88 x 406.5mm (18-7/8 x 3-7/16 x 16 inch) (The depth is measured from the front panel surface to the rear mounting hardware.) | | |
| Weight | | 10.5kg (23.2 lbs) | | |
| Included Accessories | | AC power cord (2.5m) x 1, Security cover x 1, Allen wrench x 1, Security cover attachment screw x 2, 3-pin Euroblock connector x 8, Owner's manual | | |

- Half power = 3dB below rated power
- 0dBu = 0.775Vrms

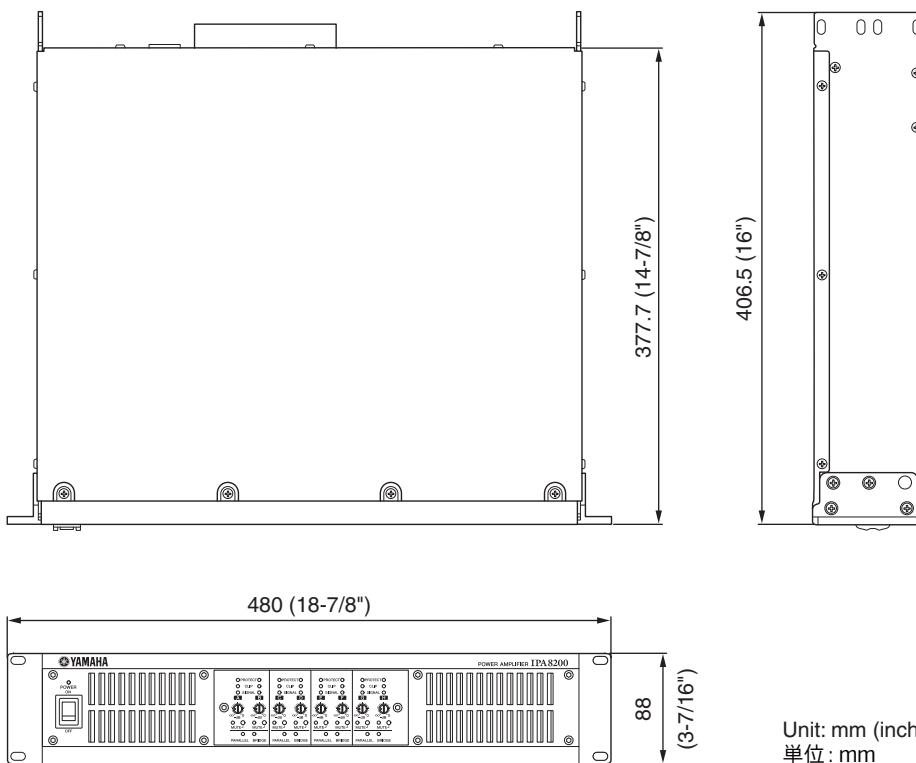
■ 仕様

一般仕様

| | | | | |
|--------------------------|--|--|----------|----------|
| 連続出力 | 4Ω per channel | 200W × 8 | | |
| | 8Ω per channel | 100W × 8 | | |
| | 8Ω / BRIDGE | 400W × 4 | | |
| 1 kHz, THD + N = 1% | 4Ω per channel | 180W × 8 | | |
| | 8Ω per channel | 90W × 8 | | |
| | 8Ω / BRIDGE | 360W × 4 | | |
| 20Hz-20kHz, THD + N = 1% | 4Ω per channel | 200W × 8 | | |
| | 8Ω per channel | 100W × 8 | | |
| | 8Ω / BRIDGE | 400W × 4 | | |
| 1 kHz, 20ms Burst | 4Ω per channel | 200W × 8 | | |
| | 8Ω per channel | 100W × 8 | | |
| | 8Ω / BRIDGE | 400W × 4 | | |
| 最大入力レベル | | + 24dBu | | |
| 入力インピーダンス | | 20kΩ (balanced), 10kΩ (unbalanced) | | |
| 入力感度 (dBu) | Switch Position | + 4dBu | 26dB | 32dB |
| | 8Ω, Att. max | Input sensitivity | + 5.2dBu | - 0.8dBu |
| 電圧利得 | Switch Position | + 4dBu | 26dB | 32dB |
| | Att. Max | Voltage Gain | 27.2dB | 26dB |
| SN比 | A-weighted | ≥ 100dB | | |
| 全高調波歪率 | 1kHz, half power, 4Ω | ≤ 0.1% | | |
| 周波数特性 | 1W, 8Ω | 20Hz-20kHz, + 0dB, - 1.5dB | | |
| チャンネルセパレーション | 1kHz, half power, 8Ω Att. max, input 600Ω shunt | ≥ 60dB | | |
| コントロール操作子 | Front Panel | POWER switch (rocker) MUTE switch (push ON/push OFF) × 8 Attenuator (41 position) × 8 | | |
| | Rear Panel | MODE switch (STEREO/BRIDGE/PARALLEL) × 4 GAIN switch (+ 4dBu/26dB/32dB) × 1 HPF switch (OFF/20Hz/55Hz) × 1 | | |
| 端子 | Input | Euroblock (balanced)/ch | | |
| | Output | Barrier strip/ch | | |
| | Power | AC inlet × 1 | | |
| インジケータ | | POWER × 1 (Green), PROTECT × 8 (Red), CLIP × 8 (Red), SIGNAL × 8 (Green), MUTE × 8 (Red), PARALLEL × 4 (Orange), BRIDGE × 4 (Orange) | | |
| 負荷保護 | POWER switch on/off | Output mute | | |
| | DC-fault | Power supply shutdown | | |
| アンプ保護 | Thermal | Output mute (heatsink temp ≥ 95 °C) | | |
| | Over current | Power supply shutdown | | |
| 電源保護 | Thermal | Power supply shutdown (heatsink temp ≥ 85 °C) | | |
| リミッター回路 | Clip limiting | Limiting level ≥ 100W @ 8Ω or 200W @ 4Ω | | |
| 冷却 | | High/Low two speed fan × 2 | | |
| 電源条件 | | 100V, 50/60Hz | | |
| 消費電力 | | 400W | | |
| 外形寸法 (W × H × D) | | 480 × 88 × 406.5mm (奥行きはパネル面より背面マウント金具まで) | | |
| 質量 | | 10.5kg | | |
| 付属品 | | 電源コード (2.5m) × 1、セキュリティーカバー × 1、 六角レンチ × 1、セキュリティーカバー取り付け用ネジ × 2、 ユーロブロック (3P) × 8、取扱説明書 (本書) | | |

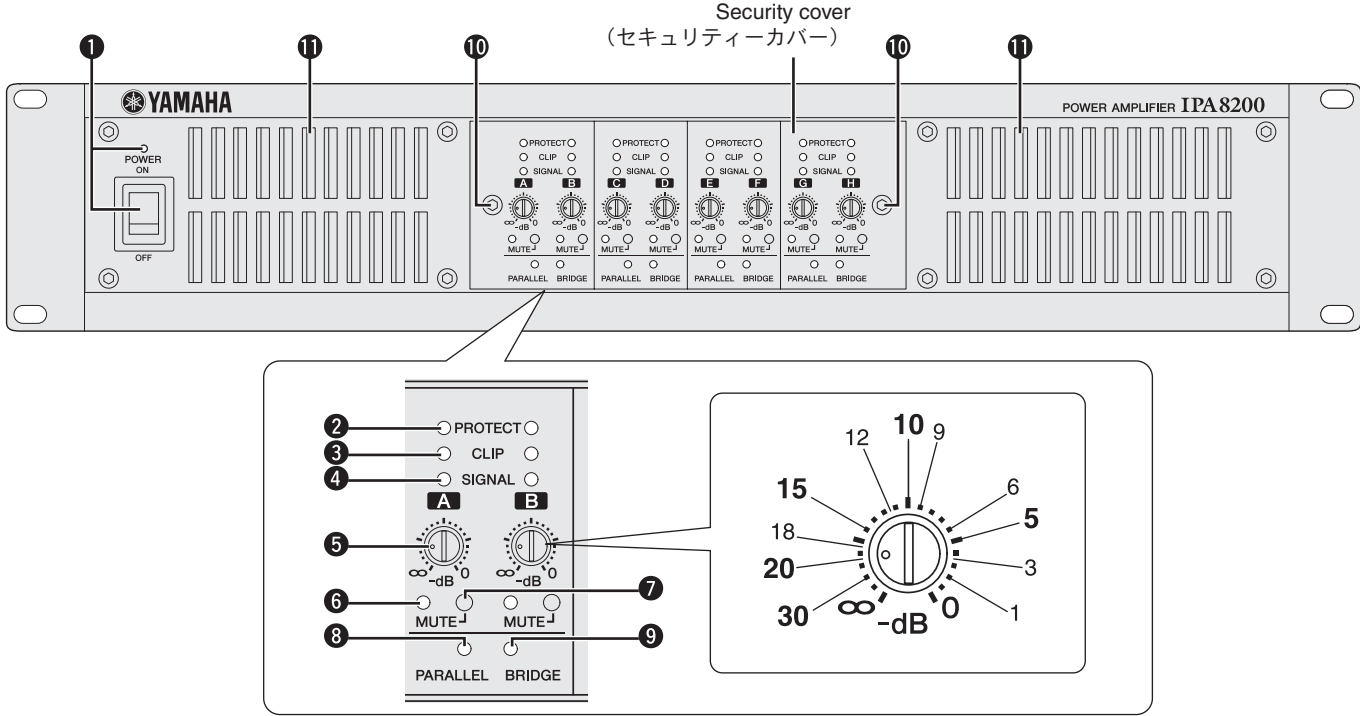
- half power: 定格出力より3dB低い出力
- 0dBu=0.775Vrms

■ DIMENSIONS (寸法図)



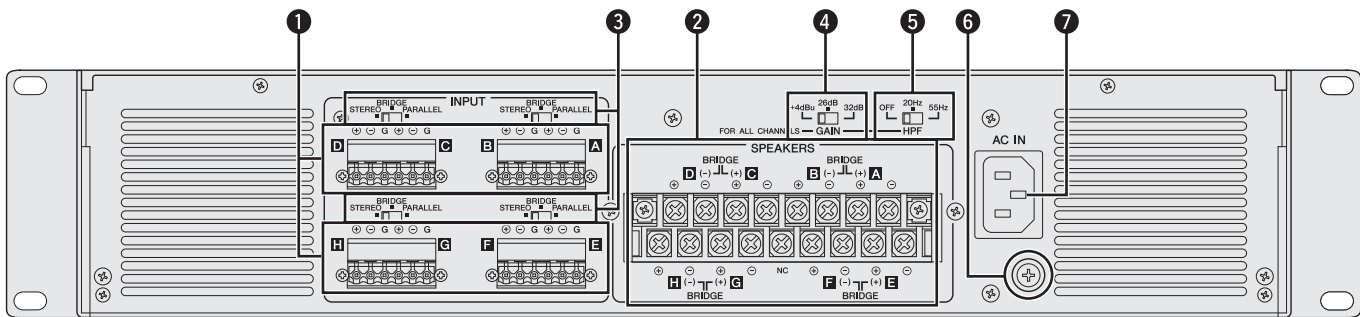
■ PANEL LAYOUT (パネルレイアウト)

• Front Panel (フロントパネル)



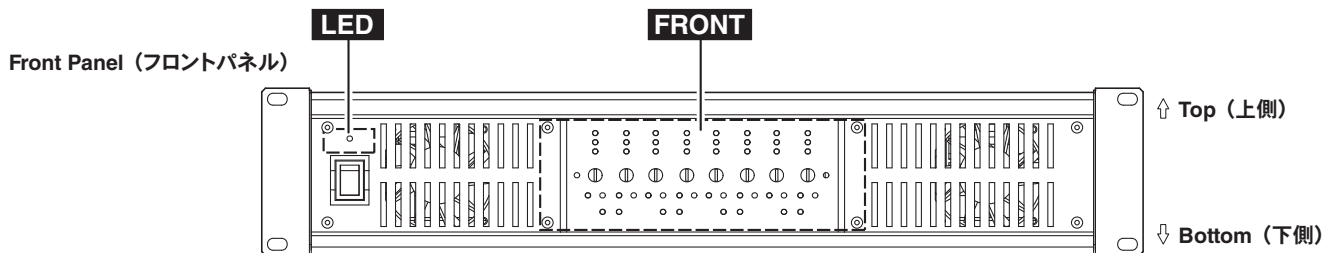
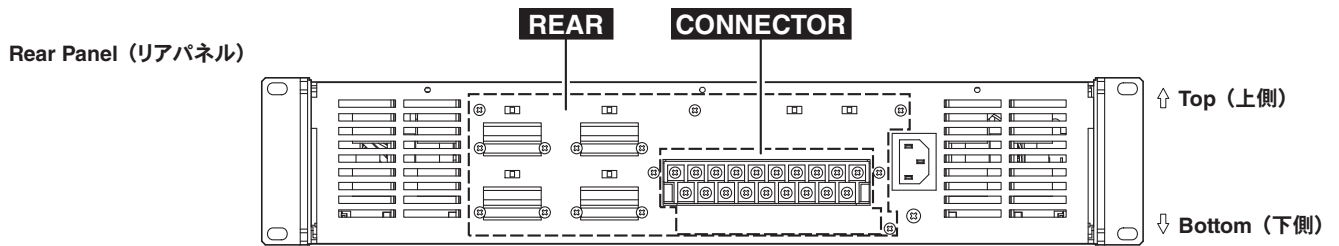
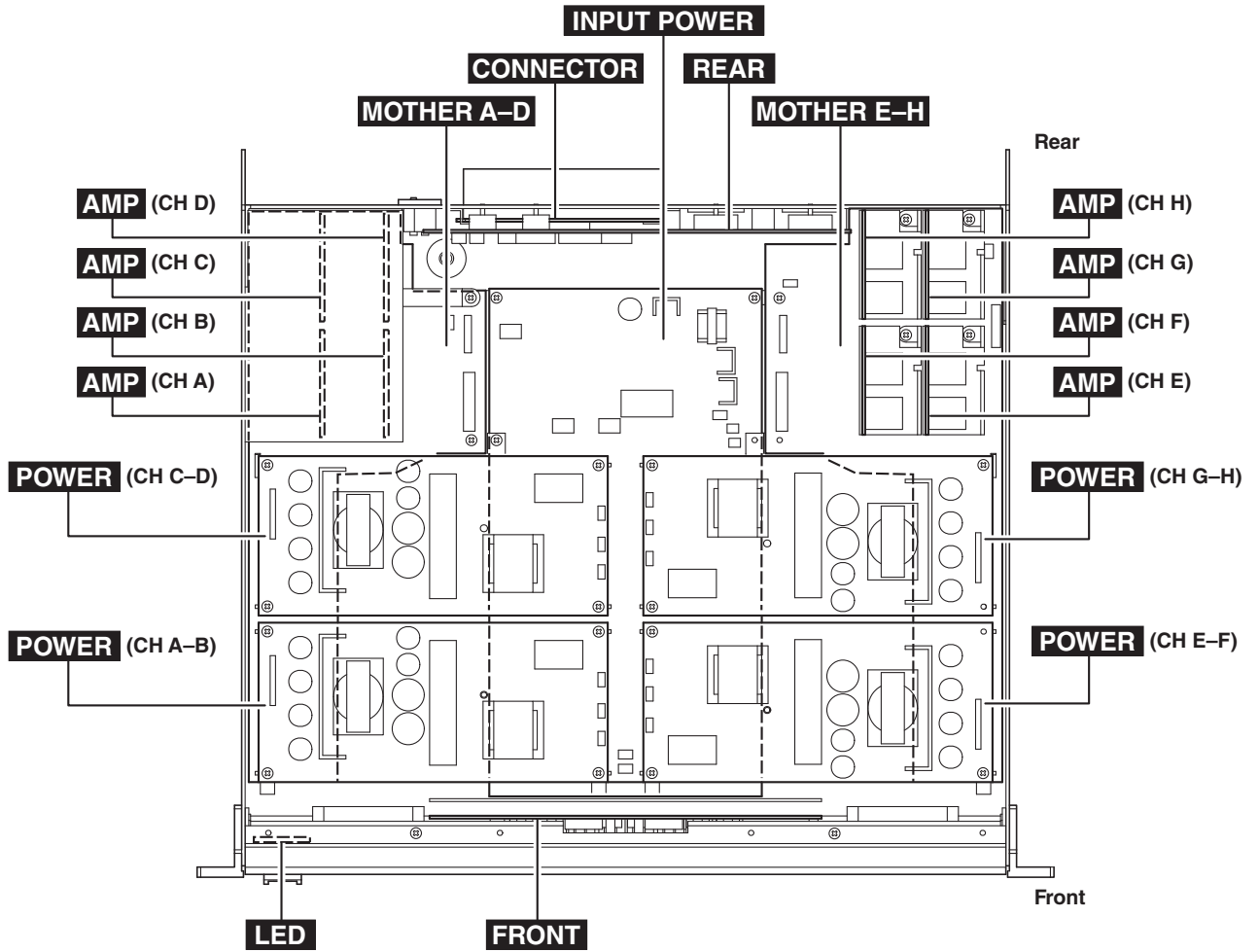
- | | | | |
|------------------------------|-----------------------------------|---------------------|-------------------|
| 1 POWER switch and indicator | 7 MUTE switch | 1 POWER スイッチ、インジケータ | 7 MUTE スイッチ |
| 2 PROTECT indicator | 8 PARALLEL indicator | 2 PROTECT インジケータ | 8 PARALLEL インジケータ |
| 3 CLIP indicator | 9 BRIDGE indicator | 3 CLIP インジケータ | 9 BRIDGE インジケータ |
| 4 SIGNAL indicator | 10 Screw holes for security cover | 4 SIGNAL インジケータ | 10 セキュリティーカバー用ネジ穴 |
| 5 Attenuator | 11 Air intakes | 5 アッテネータ | 11 吸気口 |
| 6 MUTE indicator | | 6 MUTE インジケータ | |

• Rear Panel (リアパネル)



- | | |
|--|---|
| 1 INPUT connectors | 1 INPUT 端子 |
| 2 SPEAKERS connectors | 2 SPEAKERS 端子 |
| 3 MODE switches (STEREO mode, BRIDGE mode, PARALLEL mode) | 3 MODE スイッチ (STEREO モード、BRIDGE モード、PARALLEL モード) |
| 4 GAIN switch (+4 dBu, 26 dB, 32 dB) | 4 GAIN スイッチ (+4 dBu, 26 dB, 32 dB) |
| 5 HPF switch | 5 HPF スイッチ |
| 6 Ground screw | 6 アース用ネジ |
| 7 AC inlet | 7 AC インレット |

■ CIRCUIT BOARD LAYOUT (ユニットレイアウト)



■ SERVICE PRECAUTIONS (サービス時の注意)

Safety measures

- Some component parts on the INPUT POWER circuit board and POWER circuit boards maintain a high voltage even when the power is switched off.

For this reason to avoid an electrical shock, do not touch the upper metallic part of the following capacitors until the remaining voltage has discharged.

[Discharging Method]

Before starting the service work, connect discharging resistors (220 ohms 10W) to the terminals indicated in the figure below to discharge electricity. (13 points)

The required discharging time is about 10 seconds per each. Check that the DC voltage between the terminals measures close to 0 (zero) volts using a multi-meter to make sure that the discharge is completed.

安全対策

- INPUT POWER シート、POWER シートの部品の一部には電源 OFF 状態でも高電圧が残ります。

感電防止のため、残った電圧を放電するまで下記のコンデンサの上部の金属部分に触らないでください。

[放電方法]

修理作業を始める前に、放電抵抗 (220 Ω、10 W) を下図に示す放電用の端子間に接続します。(13箇所)

放電に必要な時間は各々約 10 秒です。放電完了確認のため、端子間電圧がほぼ 0 (ゼロ) Vであることをテスターでチェックします。

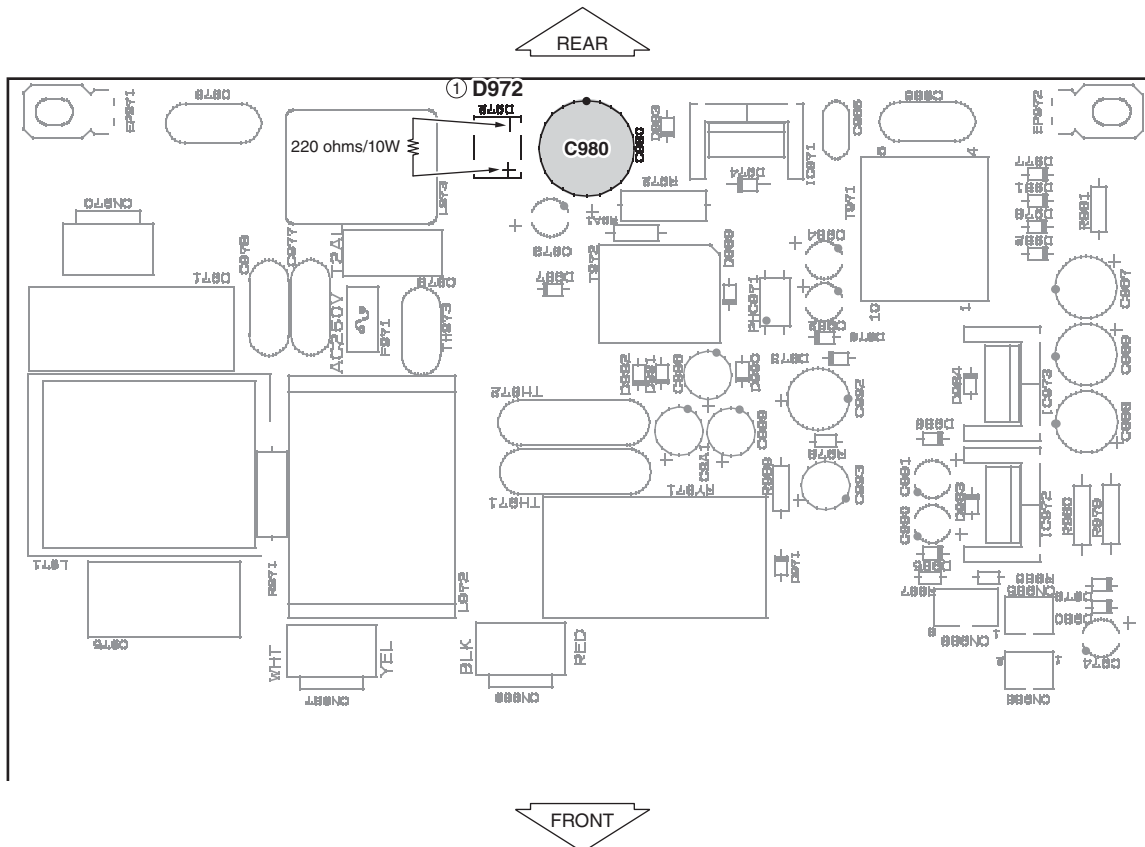
INPUT POWER circuit board

| Capacitors / コンデンサ | Discharging point / 放電箇所 |
|--------------------|--------------------------------|
| C980 | ① D972: + pin <==> D972: - pin |

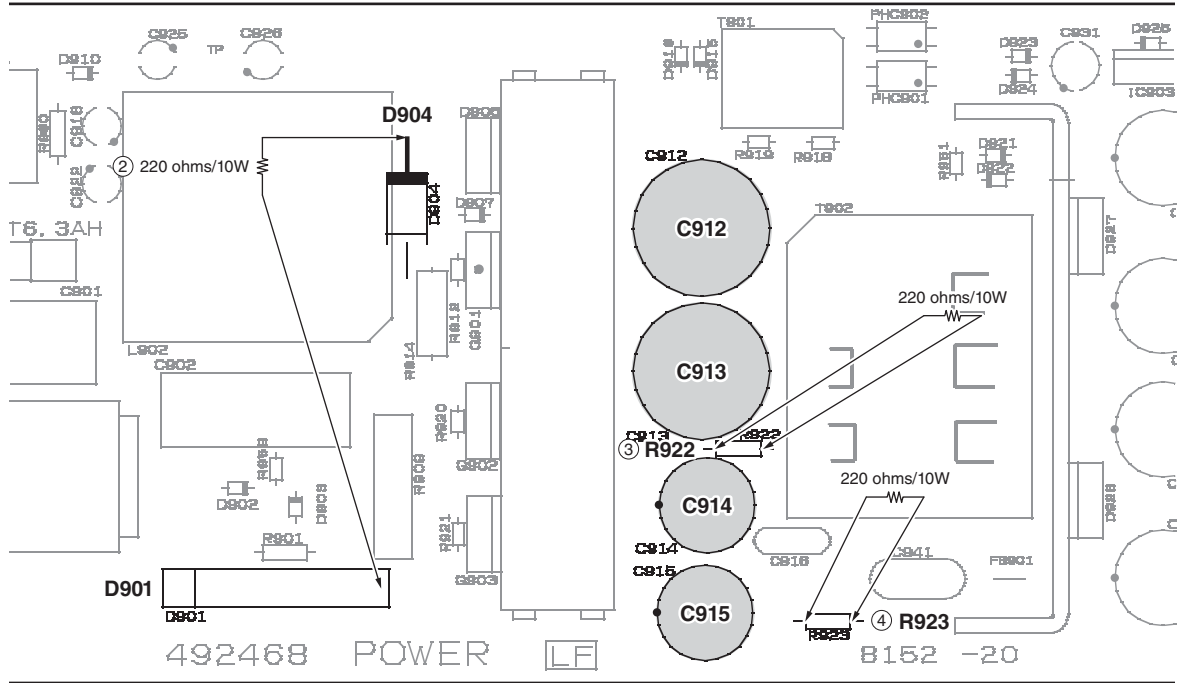
POWER circuit board x 4

| Capacitors / コンデンサ | Discharging point / 放電箇所 |
|--------------------|----------------------------------|
| C912, C913 | ② D904: cathode <==> D901: - pin |
| C914 | ③ Between both terminals of R922 |
| C915 | ④ Between both terminals of R923 |

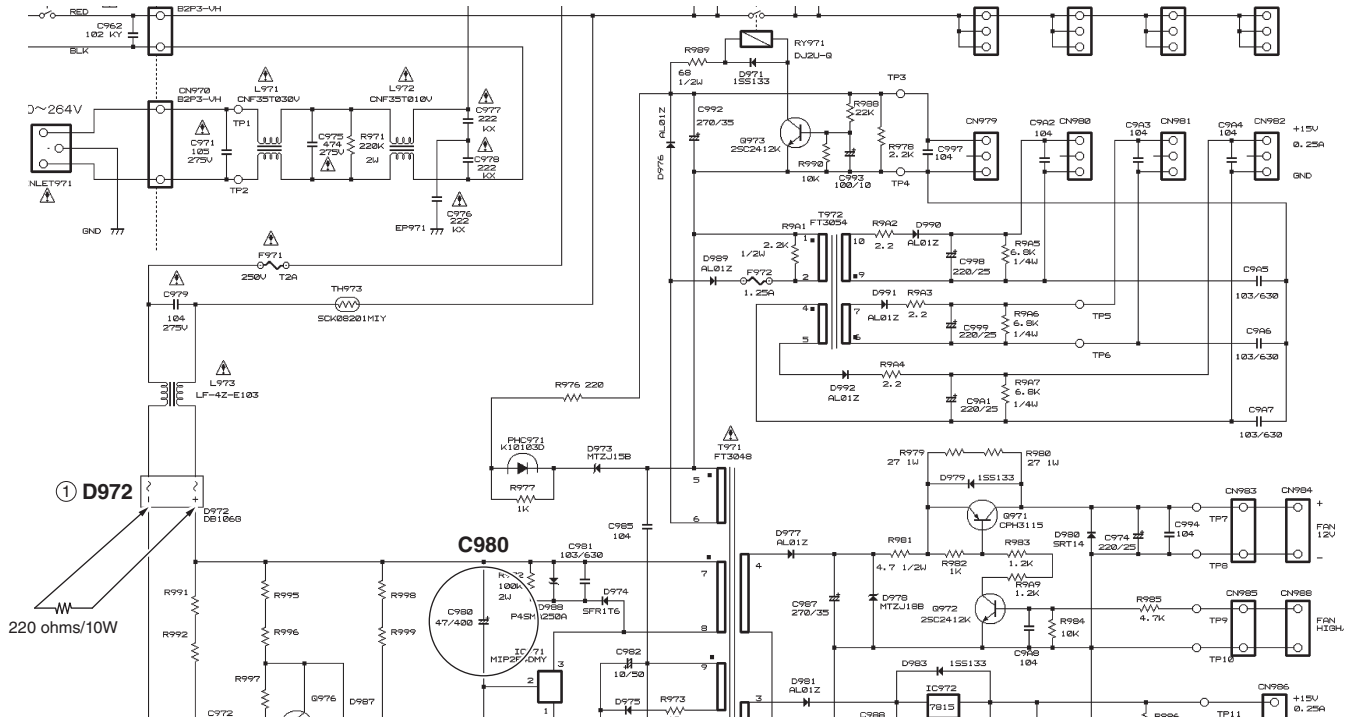
INPUT POWER cricuit board



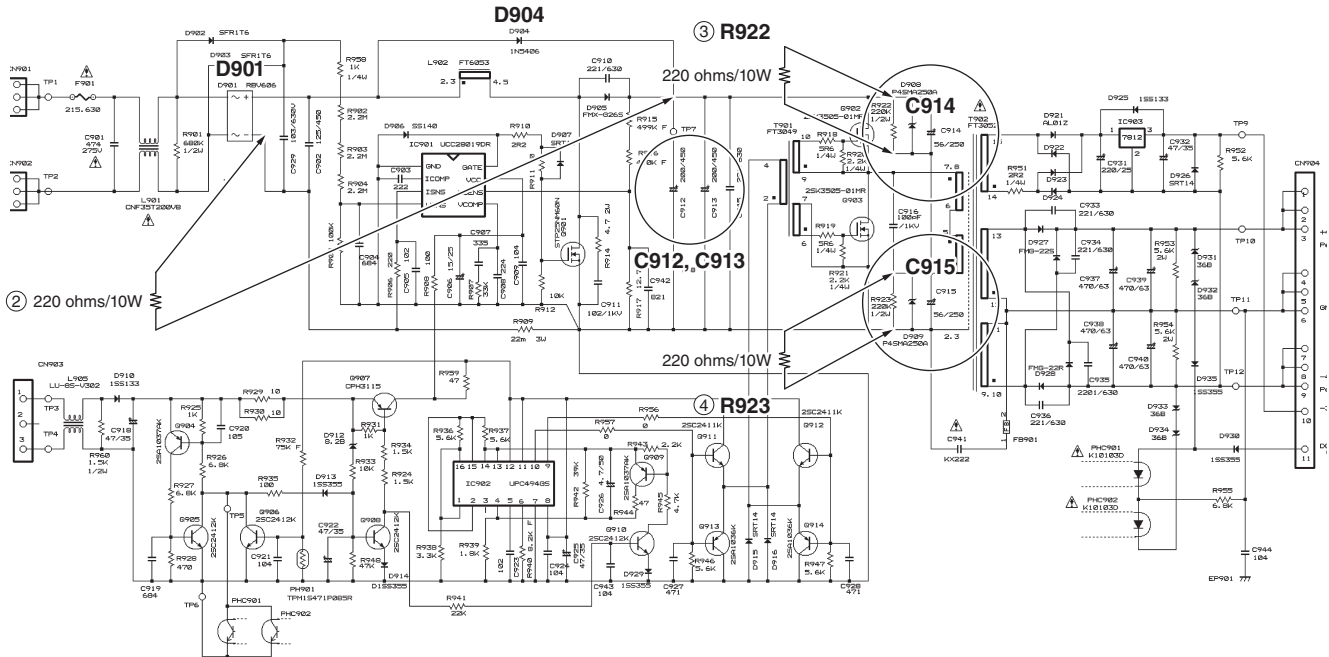
POWER circuit board x 4



INPUT POWER circuit diagram



POWER circuit diagram x 4



■ DISASSEMBLY PROCEDURES (分解手順)

1. Top Cover and L Angles

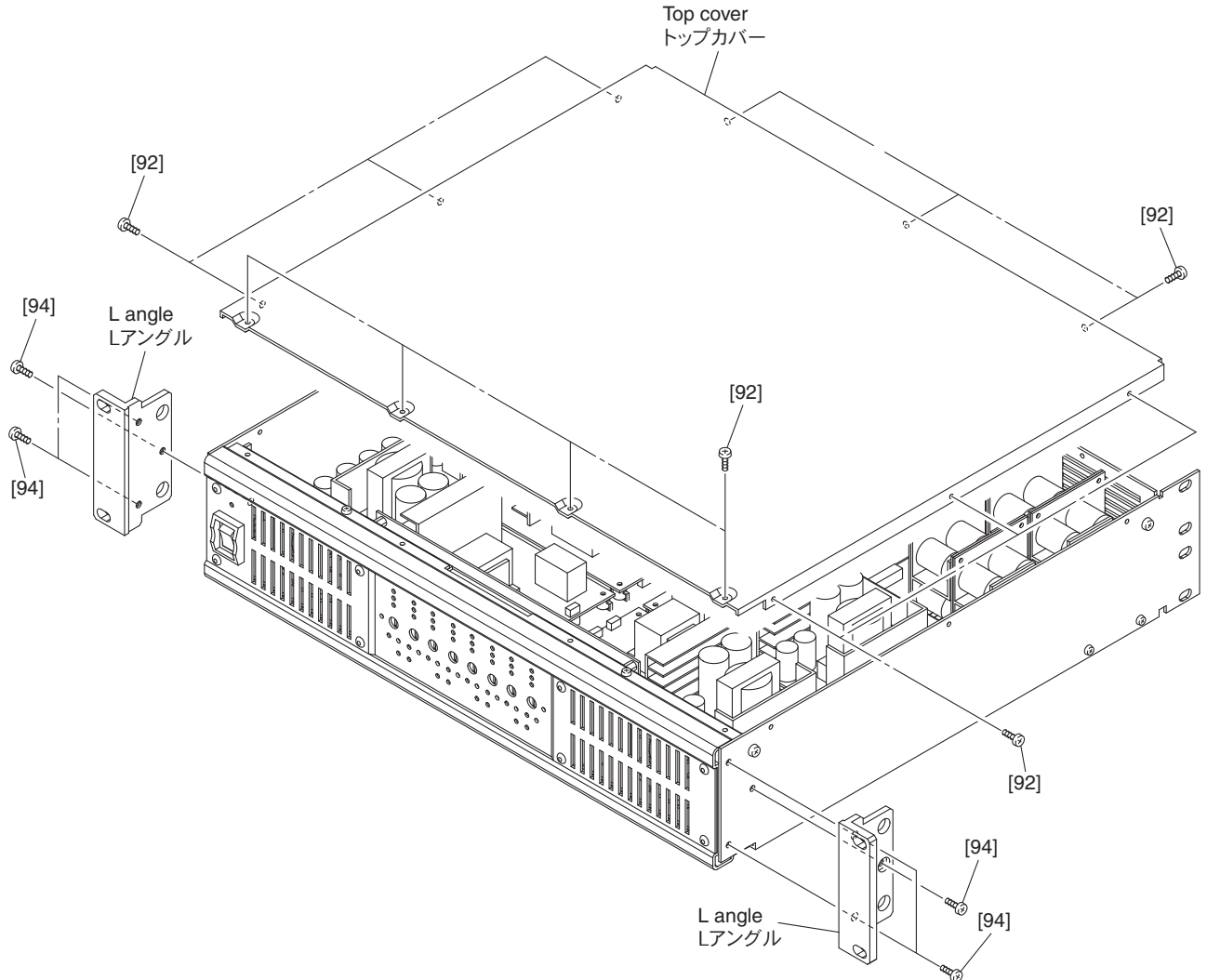
(Time required: about 3 minutes)

- 1-1. Remove the thirteen (13) screws marked [92]. The top cover can then be removed. (Fig. 1)
- 1-2. Remove the six (6) screws marked [94]. The two (2) L angles can then be removed. (Fig. 1)

1. トップカバー、L アングル

(所要時間：約 3 分)

- 1-1. [92] のネジ 13 本を外し、トップカバーを外します。(図 1)
- 1-2. [94] のネジ 6 本を外し、L アングル 2 個を外します。(図 1)



[92]: BIND HEAD TAPPING SCREW-B 3x8 MFZN2BL (WS522000) B タイト+ BIND

[94]: BIND HEAD TAPPING SCREW-B 4x8 NI-BL (WP183100) B タイト+ BIND

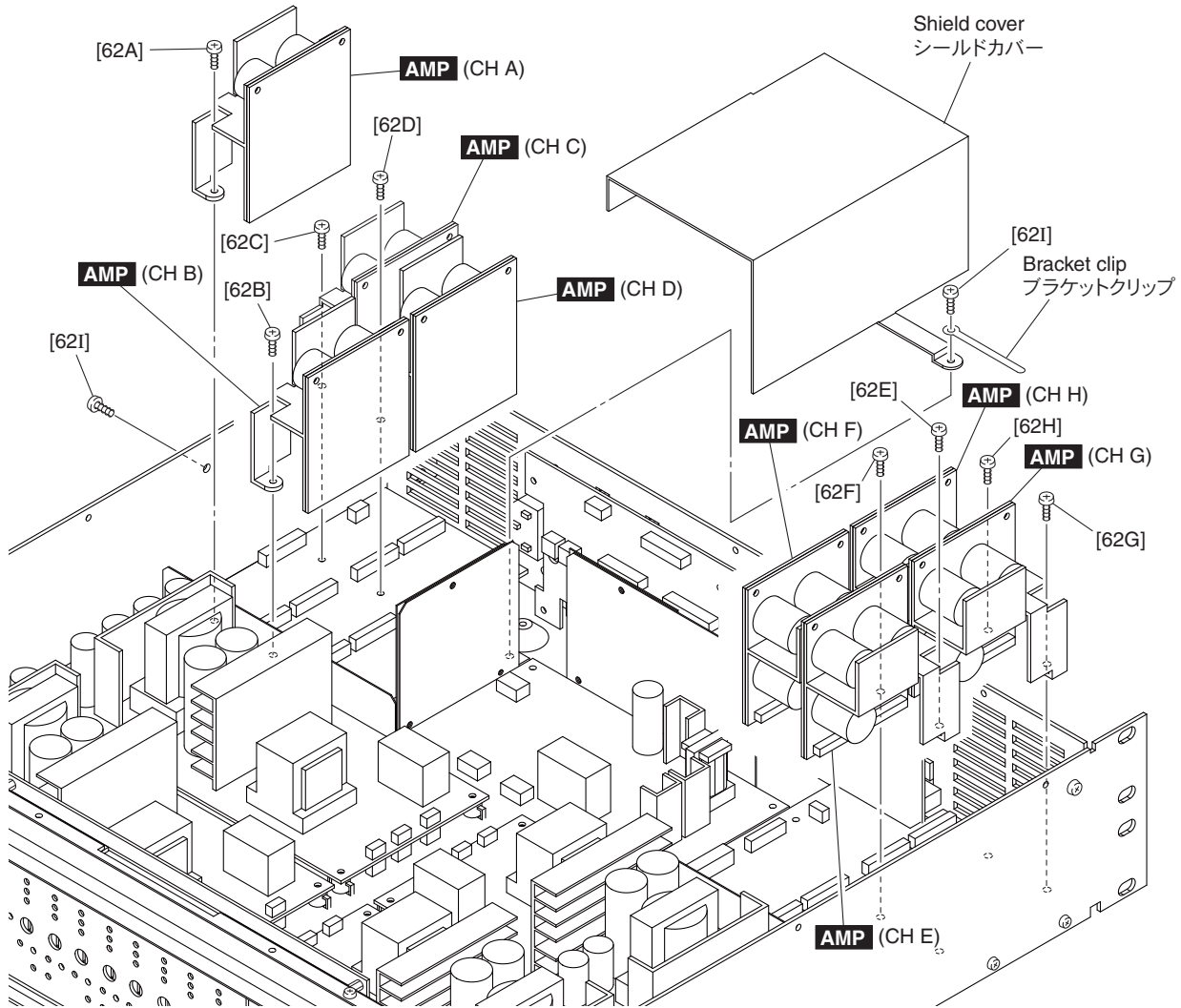
Fig. 1 (図 1)

2. AMP Circuit Boards (Time required: about 7 minutes)

- 2-1. Remove the top cover. (See procedure 1.)
- 2-2. Remove the two (2) screws marked [62I], the bracket clip and the shield cover. (Fig. 2)
- 2-3. Remove the screw marked [62A]. The AMP circuit board (channel A) can then be removed. (Fig. 2)
- 2-4. In the same manner, the AMP circuit boards (channel B, C, D, E, F, G, H) can then be removed. (Fig. 2)

2. AMP シート (所要時間：約 7 分)

- 2-1. トップカバーを外します。(1 項参照)
- 2-2. [62I] のネジ 2 本、ブラケットクリップ、シールドカバーを外します。(図 2)
- 2-3. [62A] のネジを外し、AMP シート (チャンネル A) を外します。(図 2)
- 2-4. 同様の方法で、AMP シート (チャンネル B、C、D、E、F、G、H) を外します。(図 2)



- [62A]: BIND HEAD TAPPING SCREW-B 3x8 MFZN2BL (WS522000) B タイト + BIND
 [62B]: BIND HEAD TAPPING SCREW-B 3x8 MFZN2BL (WS522000) B タイト + BIND
 [62C]: BIND HEAD TAPPING SCREW-B 3x8 MFZN2BL (WS522000) B タイト + BIND
 [62D]: BIND HEAD TAPPING SCREW-B 3x8 MFZN2BL (WS522000) B タイト + BIND
 [62E]: BIND HEAD TAPPING SCREW-B 3x8 MFZN2BL (WS522000) B タイト + BIND
 [62F]: BIND HEAD TAPPING SCREW-B 3x8 MFZN2BL (WS522000) B タイト + BIND
 [62G]: BIND HEAD TAPPING SCREW-B 3x8 MFZN2BL (WS522000) B タイト + BIND
 [62H]: BIND HEAD TAPPING SCREW-B 3x8 MFZN2BL (WS522000) B タイト + BIND
 [62I]: BIND HEAD TAPPING SCREW-B 3x8 MFZN2BL (WS522000) B タイト + BIND

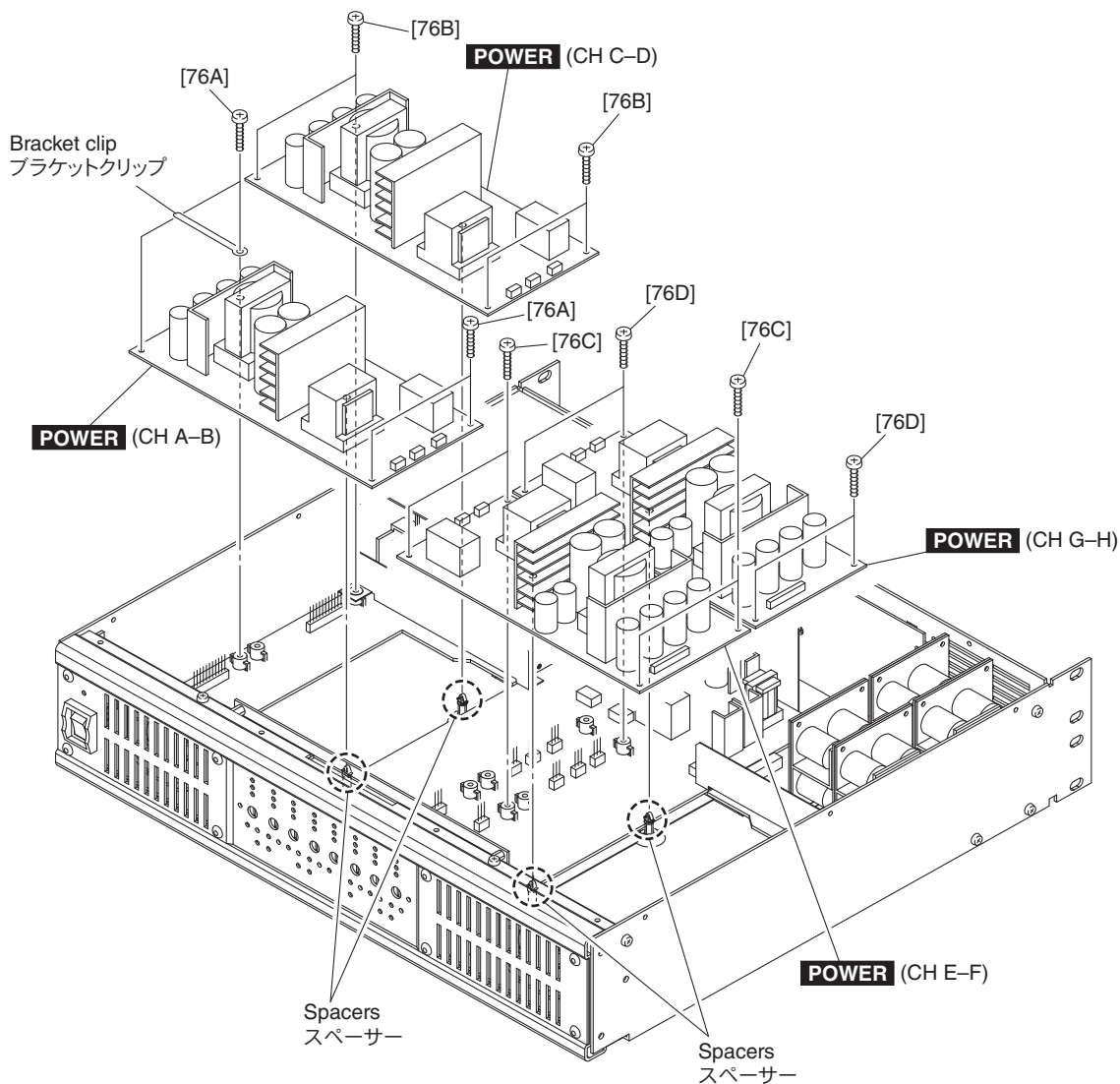
Fig. 2 (図 2)

3. POWER Circuit Boards (Time required: about 6 minutes)

- 3-1. Remove the top cover. (See procedure 1.)
- 3-2. Remove the four (4) screws marked [76A] and the bracket clip. Release the spacer. The POWER circuit board (channel A-B) can then be removed. (Fig. 3)
- 3-3. Remove the four (4) screws marked [76B]. Release the spacer. The POWER circuit board (channel C-D) can then be removed. (Fig. 3)
- 3-4. In the same manner, the POWER circuit boards (channel E-F, G-H) can then be removed. (Fig. 3)

3. POWER シート (所要時間：約 6 分)

- 3-1. トップカバーを外します。(1 項参照)
- 3-2. [76A] のネジ 4 本、ブラケットクリップを外します。スペーサーを解除し、POWER シート (チャンネル A-B) を外します。(図 3)
- 3-3. [76B] のネジ 4 本を外します。スペーサーを解除し、POWER シート (チャンネル C-D) を外します。(図 3)
- 3-4. 同様の方法で、POWER シート (チャンネル E-F、G-H) を外します。(図 3)



- [76A]: BIND HEAD TAPPING SCREW-B 3.0x16 NI-BL (WT892700) B タイト+ BIND
 [76B]: BIND HEAD TAPPING SCREW-B 3.0x16 NI-BL (WT892700) B タイト+ BIND
 [76C]: BIND HEAD TAPPING SCREW-B 3.0x16 NI-BL (WT892700) B タイト+ BIND
 [76D]: BIND HEAD TAPPING SCREW-B 3.0x16 NI-BL (WT892700) B タイト+ BIND

Fig. 3 (図 3)

4. MOTHER A-D circuit board (Time required: about 8 minutes)

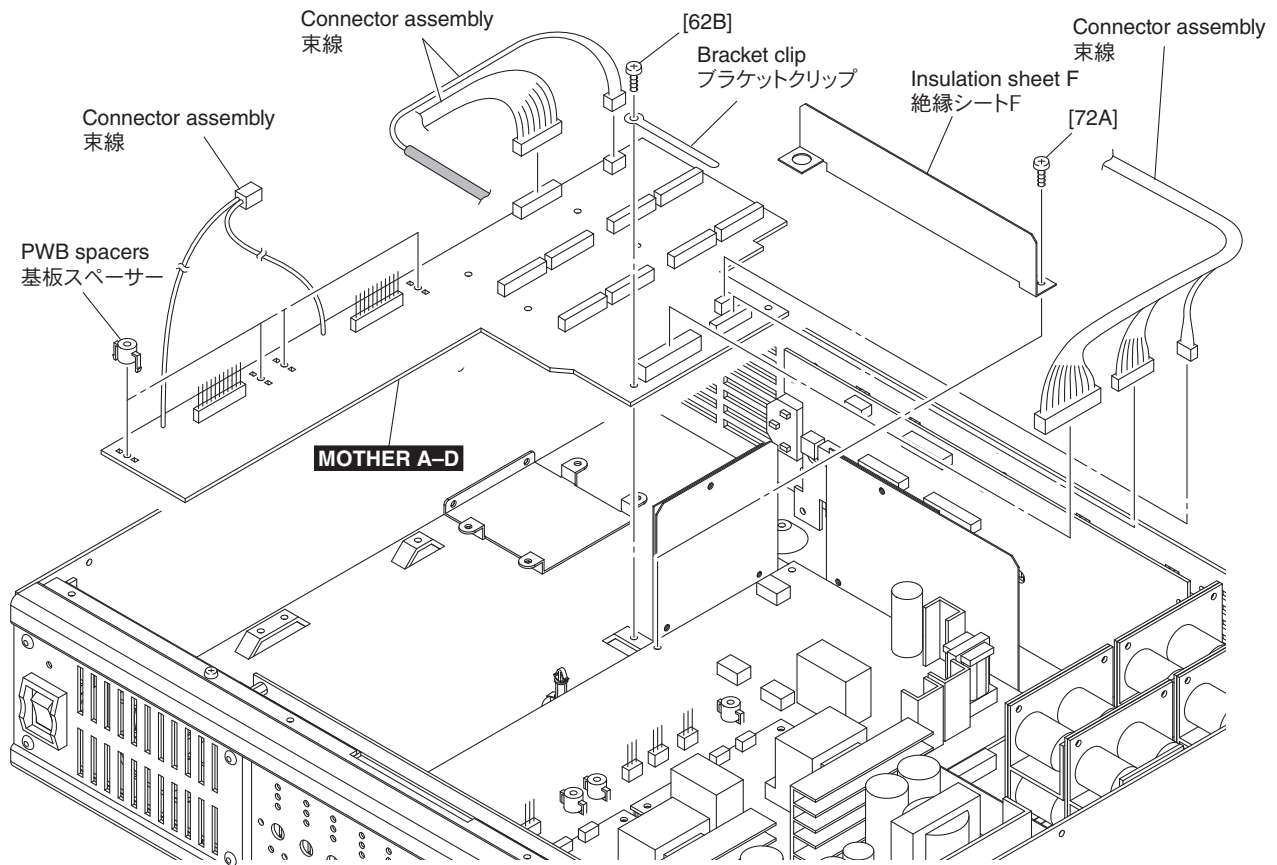
- 4-1. Remove the top cover. (See procedure 1.)
- 4-2. Remove the AMP circuit boards (channel A, B, C, D). (See procedure 2.)
- 4-3. Remove the POWER circuit boards (channel A-B, C-D). (See procedure 3.)
- 4-4. Remove the screw marked [72A] and the insulation sheet F. (Fig. 4)
- 4-5. Remove the screw marked [62B] and the bracket clip. The MOTHER A-D circuit board can then be removed. (Fig. 4)

Note: The four (4) PWB spacers are not component parts of the MOTHER A-D circuit board. When replacing the MOTHER A-D circuit board, remove them from old circuit board and install them to new circuit board.

4. MOTHER A-D シート (所要時間：約 8 分)

- 4-1. トップカバーを外します。(1 項参照)
- 4-2. AMP シート (チャンネル A、B、C、D) を外します。(2 項参照)
- 4-3. POWER シート (チャンネル A-B、C-D) を外します。(3 項参照)
- 4-4. [72A] のネジ、絶縁シート F を外します。(図 4)
- 4-5. [62B] のネジ、ブラケットクリップを外し、MOTHER A-D シートを外します。(図 4)

注意： 基板スペーサー 4 個は、MOTHER A-D シートの構成部品ではありません。MOTHER A-D シートを交換する際には、基板スペーサー 4 個を古いシートから外して、新しいシートに取り付けてください。



[62B]: BIND HEAD TAPPING SCREW-B 3x8 MFZN2BL (WS522000) B タイト+ BIND
 [72A]: BIND HEAD TAPPING SCREW-B 3x8 MFZN2BL (WS522000) B タイト+ BIND

Fig. 4 (図 4)

5. MOTHER E-H circuit board (Time required: about 8 minutes)

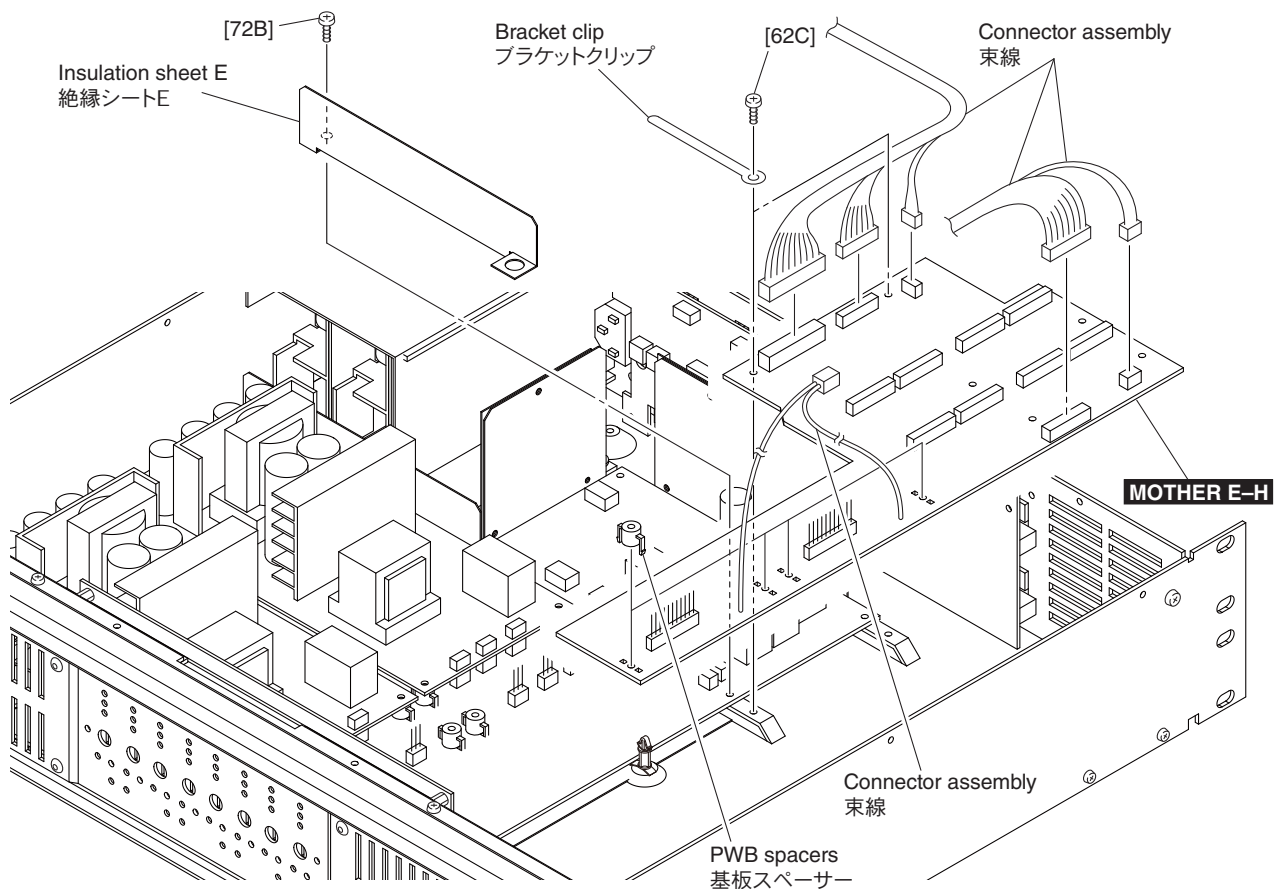
- 5-1. Remove the top cover. (See procedure 1.)
- 5-2. Remove the AMP circuit boards (channel E, F, G, H). (See procedure 2.)
- 5-3. Remove the POWER circuit boards (channel E-F, G-H). (See procedure 3.)
- 5-4. Remove the screw marked [72B] and the insulation sheet E. (Fig. 5)
- 5-5. Remove the two (2) screws marked [62C] and the two (2) bracket clips. The MOTHER E-H circuit board can then be removed. (Fig. 5)

Note: The four (4) PWB spacers are not component parts of the MOTHER E-H circuit board. When replacing the MOTHER E-H circuit board, remove them from old circuit board and install them to new circuit board.

5. MOTHER E-H シート (所要時間：約 8 分)

- 5-1. トップカバーを外します。(1 項参照)
- 5-2. AMP シート (チャンネル E、F、G、H) を外します。(2 項参照)
- 5-3. POWER シート (チャンネル E-F、G-H) を外します。(3 項参照)
- 5-4. [72B] のネジ、絶縁シート E を外します。(図 5)
- 5-5. [62C] のネジ 2 本、ブラケットクリップ 2 個を外し、MOTHER E-H シートを外します。(図 5)

注意： 基板スペーサー 4 個は、MOTHER E-H シートの構成部品ではありません。MOTHER E-H シートを交換する際には、基板スペーサー 4 個を古いシートから外して、新しいシートに取り付けてください。



[62C]: BIND HEAD TAPPING SCREW-B 3x8 MFZN2BL (WS522000) B タイト+ BIND
 [72B]: BIND HEAD TAPPING SCREW-B 3x8 MFZN2BL (WS522000) B タイト+ BIND

Fig. 5 (図 5)

6. INPUT POWER Circuit Board (Time required: about 9 minutes)

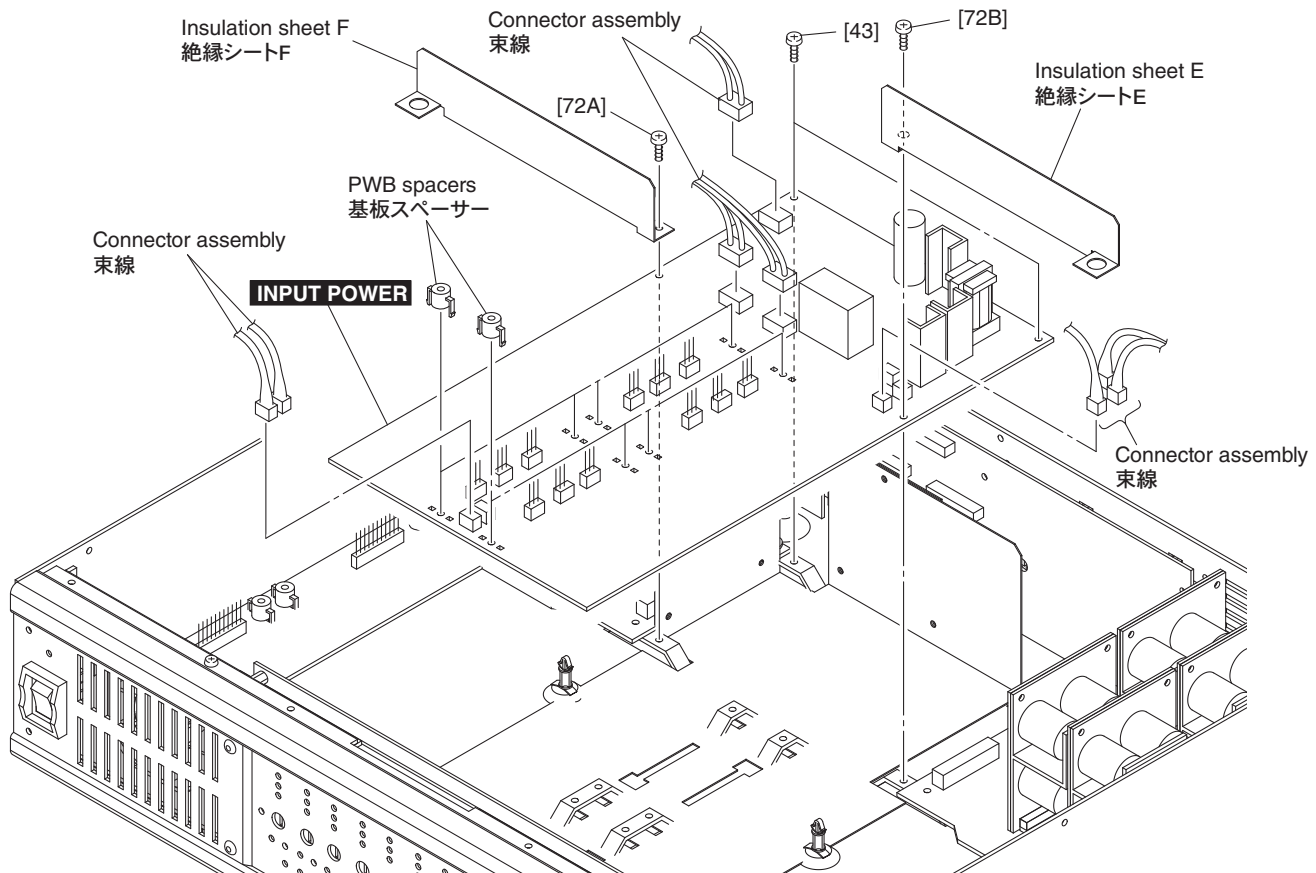
- 6-1. Remove the top cover. (See procedure 1.)
- 6-2. Remove all the POWER circuit boards.
(See procedure 3.)
- 6-3. Remove the screw marked [72A] and the insulation sheet F. (Fig. 6)
- 6-4. Remove the screw marked [72B] and the insulation sheet E. (Fig. 6)
- 6-5. Remove the two (2) screws marked [43]. (Fig. 6)
- 6-6. Disconnect all the connector assemblies from the INPUT POWER circuit board. The INPUT POWER circuit board can then be removed. (Fig. 6)

Note: The eight (8) PWB spacers are not component parts of the INPUT POWER circuit board. When replacing the INPUT POWER circuit board, remove them from old circuit board and install them to new circuit board.

6. INPUT POWER シート (所要時間：約 9 分)

- 6-1. トップカバーを外します。(1 項参照)
- 6-2. すべての POWER シートを外します。(3 項参照)
- 6-3. [72A] のネジ、絶縁シート F を外します。(図 6)
- 6-4. [72B] のネジ、絶縁シート E を外します。(図 6)
- 6-5. [43] のネジ 2 本を外します。(図 6)
- 6-6. INPUT POWER シートからすべての束線を外し、INPUT POWER シートを外します。(図 6)

注意： 8 個の基板スペーサーは、INPUT POWER シートの構成部品ではありません。INPUT POWER シートを交換する際には、古いシートから基板スペーサーを取り外して新しいシートへ取り付けてください。



- [43]: BIND HEAD TAPPING SCREW-B 3x8 MFZN2BL (WS522000) B タイト+ BIND
 [72A]: BIND HEAD TAPPING SCREW-B 3x8 MFZN2BL (WS522000) B タイト+ BIND
 [72B]: BIND HEAD TAPPING SCREW-B 3x8 MFZN2BL (WS522000) B タイト+ BIND

Fig. 6 (図 6)

7. REAR Circuit Board (Time required: about 5 minutes)

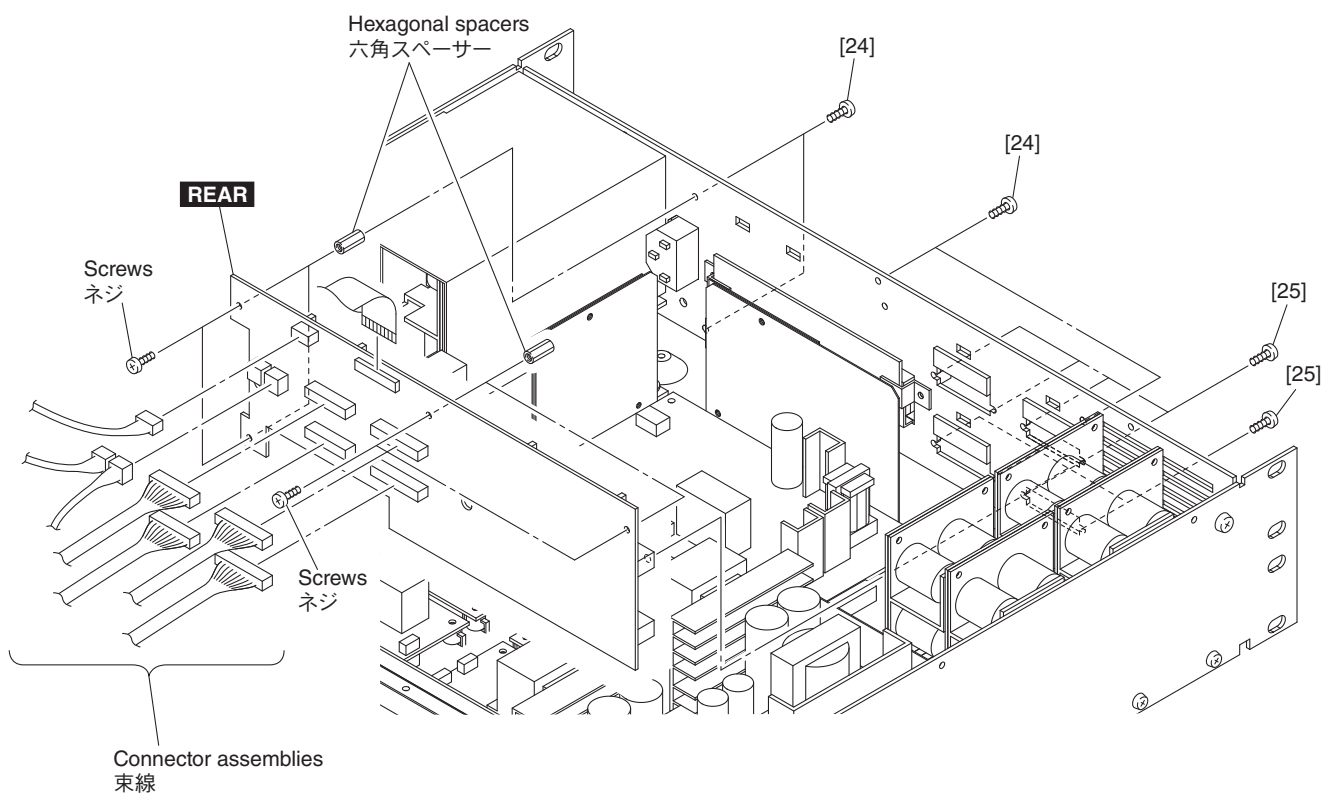
- 7-1. Remove the top cover. (See procedure 1.)
- 7-2. Remove the eight (8) screws marked [25] and the four (4) screws marked [24]. (Fig. 7)
- 7-3. Disconnect all the connector assemblies from the REAR circuit board. The REAR circuit board can then be removed together with the four (4) hexagonal spacers and four (4) screws. (Fig. 7)

Note: The four (4) hexagonal spacers and four (4) screws are not component parts of the REAR circuit board. When replacing the REAR circuit board, remove them from old circuit board and install them to new circuit board.

7. REAR シート (所要時間：約 5 分)

- 7-1. トップカバーを外します。(1 項参照)
- 7-2. [25]のネジ 8 本、[24]のネジ 4 本を外します。(図 7)
- 7-3. REAR シートからすべての束線を外し、REAR シートを六角スペーサー 4 本、ネジ 4 本と共に外します。(図 7)

注意：六角スペーサー 4 本、ネジ 4 本は、REAR シートの構成部品ではありません。REAR シートを交換する際には、古いシートから六角スペーサー 4 本、ネジ 4 本を外して、新しいシートに取り付けてください。



- [24]: BIND HEAD SCREW 3x6 MFZN2B3 (WS522500) 小ネジ+ BIND
 [25]: PAN HEAD SCREW M2.6x6 NI-BL (WS522400) 小ネジ+ PAN

Fig. 7 (図 7)

8. CONNECTOR Circuit Board (Time required: about 13 minutes)

- 8-1. Remove the top cover. (See procedure 1.)
- 8-2. Remove all the POWER circuit boards.
(See procedure 3.)
- 8-3. Remove the INPUT POWER circuit board.
(See procedure 6.)
- 8-4. Remove the REAR circuit board. (See procedure 7.)
- 8-5. Remove the two (2) screws marked [13]. (Fig. 8)
- 8-6. Disconnect the connector assemblies from the CONNECTOR circuit board. The CONNECTOR circuit board can then be removed together with the two (2) bracket terminals and two (2) screws. (Fig. 8)

Note: The two (2) bracket terminals and two (2) screws are not component parts of the CONNECTOR circuit board. When replacing the CONNECTOR circuit board, remove them from old circuit board and install them to new circuit board.

9. AC Inlet Assembly (Time required: about 6 minutes)

- 9-1. Remove the top cover. (See procedure 1.)
- 9-2. Remove the AMP circuit board (channel D).
(See procedure 2.)
- 9-3. Remove the screw marked [15], and remove the lug terminal of the AC inlet assembly and the toothed lock washer. (Fig. 8)
- 9-4. Disconnect the AC inlet connector assembly connector from the INPUT POWER circuit board. (Fig. 8)
- 9-5. Release the two (2) hooks of the AC inlet. The AC inlet assembly can then be removed. (Fig. 8)

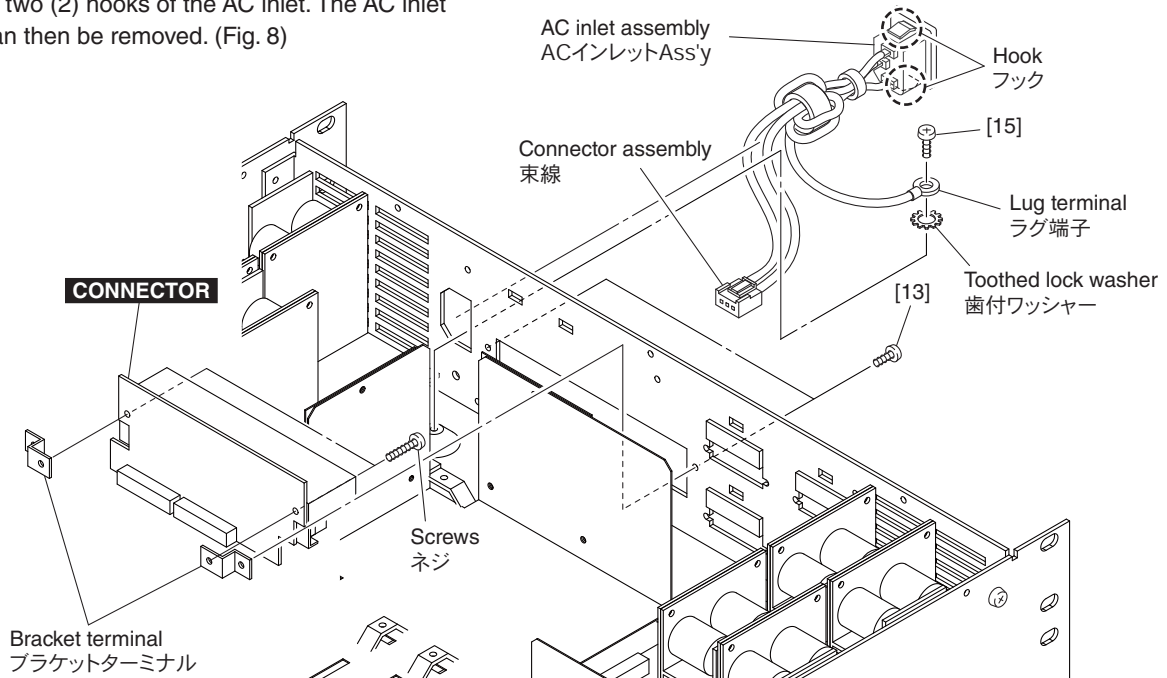
8. CONNECTOR シート (所要時間：約 13 分)

- 8-1. トップカバーを外します。(1 項参照)
- 8-2. すべての POWER シートを外します。(3 項参照)
- 8-3. INPUT POWER シートを外します。(6 項参照)
- 8-4. REAR シートを外します。(7 項参照)
- 8-5. [13] のネジ 2 本を外します。(図 8)
- 8-6. CONNECTOR シートからすべての束線を外し、CONNECTOR シートをブラケットターミナル 2 個、ネジ 2 本と共に外します。(図 8)

注意： ブラケットターミナル 2 個、ネジ 2 本は、CONNECTOR シートの構成部品ではありません。CONNECTOR シートを交換する際には、古いシートからブラケットターミナル 2 個、ネジ 2 本を外し、新しいシートに取り付けます。

9. AC インレット Ass'y (所要時間：約 6 分)

- 9-1. トップカバーを外します。(1 項参照)
- 9-2. AMP シート (チャンネル D) を外します。(2 項参照)
- 9-3. [15] のネジを外し、AC インレット Ass'y のラグ端子と歯付ワッシャーを外します。(図 8)
- 9-4. INPUT POWER シートから、AC インレット Ass'y の束線を外します。(図 8)
- 9-5. AC インレットの 2 ヶ所のフックを解除し、AC インレット Ass'y を外します。(図 8)



- [13]: BIND HEAD TAPPING SCREW-B 3x8 MFZN2BL (WS522000) B タイト+ BIND
 [15]: BIND HEAD SCREW M4x8 CR3 BLACK (WS522700) 小ネジ+ BIND

Fig. 8 (図 8)

10. Front Panel, Deco Panel Assembly and Power Switch Assembly (Time required: about 8 minutes)

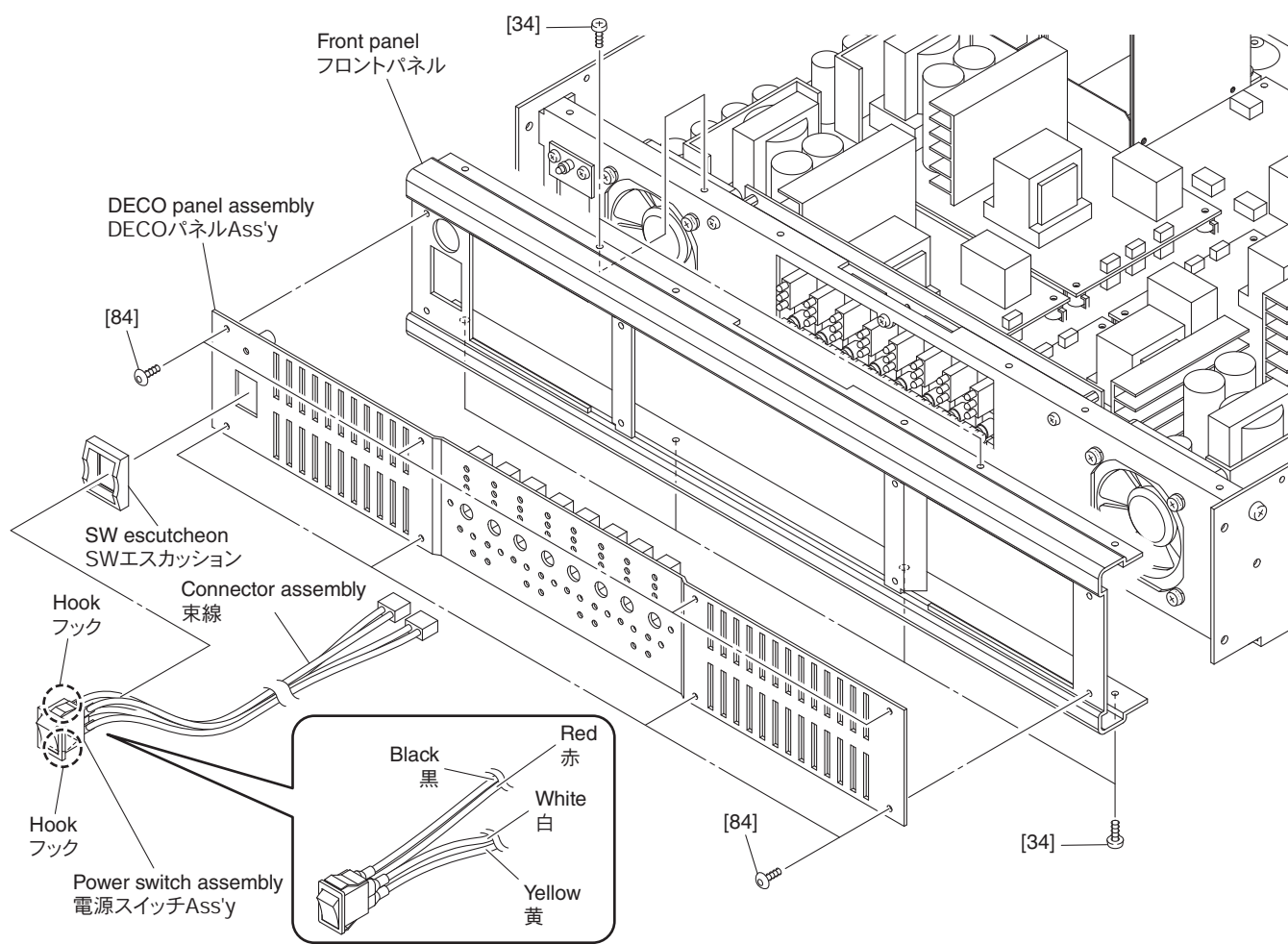
- 10-1. Remove the top cover. (See procedure 1.)
- 10-2. Disconnect the wires of the power switch assembly from the INPUT POWER circuit board. (Fig. 9)
- 10-3. Remove the six (6) screws marked [34]. The front panel can then be removed together with the deco panel assembly and power switch assembly. (Fig. 9)
- 10-4. Remove the eight (8) screws marked [84]. The deco panel assembly can then be removed together with the power switch assembly from the front panel. (Fig. 9)
- 10-5. Release the two (2) hooks of the power switch. The power switch assembly and the SW escutcheon can then be removed from the deco panel assembly. (Fig. 9)

Note: When installing the power switch assembly, set the red/black cables to the left side and the yellow/white cables to the right side in order to set its ON/OFF position normal.

10. フロントパネル、DECO パネル Ass'y、電源スイッチ Ass'y (所要時間：約 8 分)

- 10-1. トップカバーを外します。(1 項参照)
- 10-2. 電源スイッチの線材を、INPUT POWER シートから外します。(図 9)
- 10-3. [34] のネジ 6 本を外します。フロントパネルを、DECO パネル Ass'y、電源スイッチ Ass'y と共に外します。(図 9)
- 10-4. [84] のネジ 8 本を外し、DECO パネル Ass'y を電源スイッチ Ass'y と共にフロントパネルから外します。(図 9)
- 10-5. 電源スイッチのフック 2 箇所を解除し、電源スイッチ Ass'y と SW エスカッションを DECO パネル Ass'y から外します。(図 9)

注意：電源スイッチを取り付ける際には、スイッチの ON/OFF 位置を正しくするために、赤 / 黒の線材を左側に、黄 / 白の線材を右側に位置させます。



[34]: BIND HEAD TAPPING SCREW-B 3x8 MFZN2BL (WS522000) B タイト+ BIND
 [84]: HEXAGONAL TAPPING SCREW-B 3x8 NI-BL (WP927800) 六角穴付 B タイトネジ

Fig. 9 (図 9)

11. Fans (Time required: about 8 minutes)

- 11-1. Remove the top cover. (See procedure 1.)
- 11-2. Remove the front panel together with the deco panel assembly and power switch assembly. (See procedure 10.)

Left Fan

- 11-3. Disconnect the left fan connector assembly from the INPUT POWER circuit board. (Fig. 10)
- 11-4. Remove the four (4) screws marked [3A] and four (4) hexagonal nuts marked [4A]. The left fan can then be removed. (Fig. 10)

Right Fan

- 11-5. Disconnect the right fan connector assembly from the INPUT POWER circuit board. (Fig. 10)
- 11-6. Remove the four (4) screws marked [3B] and four (4) hexagonal nuts marked [4B]. The right fan can then be removed. (Fig. 10)

12. LED Circuit Board (Time required: about 5 minutes)

- 12-1. Remove the top cover. (See procedure 1.)
- 12-2. Remove the front panel together with the deco panel assembly and power switch assembly. (See procedure 10.)
- 12-3. Remove the two (2) screws marked [6]. (Fig. 10)
- 12-4. Disconnect the connector assembly from the LED circuit board. The LED circuit board can then be removed. (Fig. 10)

11. ファン (所要時間 : 約 8 分)

- 11-1. トップカバーを外します。(1 項参照)
- 11-2. フロントパネルを DECO パネル Ass'y、電源スイッチ Ass'y と共に外します。(10 項参照)

左側のファン

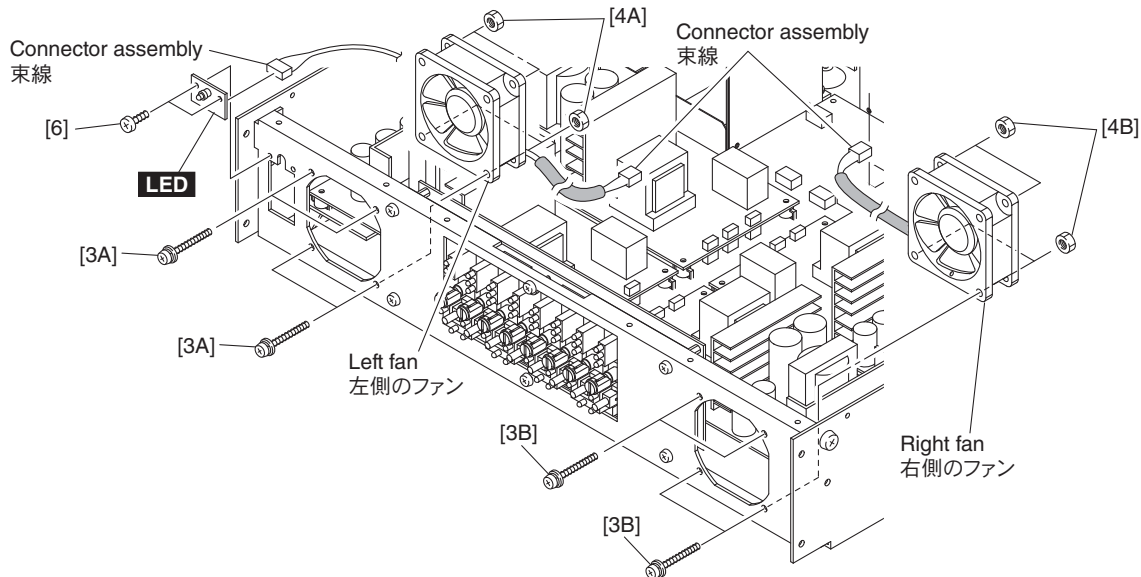
- 11-3. 左側のファンの線材を INPUT シートから外します。(図 10)
- 11-4. [3A] のネジ 4 本、[4A] の六角ナット 4 個を外し、左側のファンを外します。(図 10)

右側のファン

- 11-5. 右側のファンの束線を INPUT シートから外します。(図 10)
- 11-6. [3B] のネジ 4 本、[4B] の六角ナット 4 個を外し、右側のファンを外します。(図 10)

12. LED シート (所要時間 : 約 5 分)

- 12-1. トップカバーを外します。(1 項参照)
- 12-2. フロントパネルを DECO パネル Ass'y、電源スイッチ Ass'y と共に外します。(10 項参照)
- 12-3. [6] のネジ 2 本を外します。(図 10)
- 12-4. LED シートから束線を外し、LED シートを外します。(図 10)



- [3A]: PAN HEAD SCREW M4x35 CR3 BLACK (WS522200) 小ネジ+ PAN SP
 [3B]: PAN HEAD SCREW M4x35 CR3 BLACK (WS522200) 小ネジ+ PAN SP
 [4A]: HEXAGONAL NUT M4.0 CR3 (AAX61890) フランジ付き六角ナット
 [4B]: HEXAGONAL NUT M4.0 CR3 (AAX61890) フランジ付き六角ナット
 [6]: BIND HEAD TAPPING SCREW-B 3x8 MFZN2BL (WS522000) B タイト+ BIND

Fig. 10 (図 10)

13. FRONT Circuit Board Assembly (Time required: about 15 minutes)

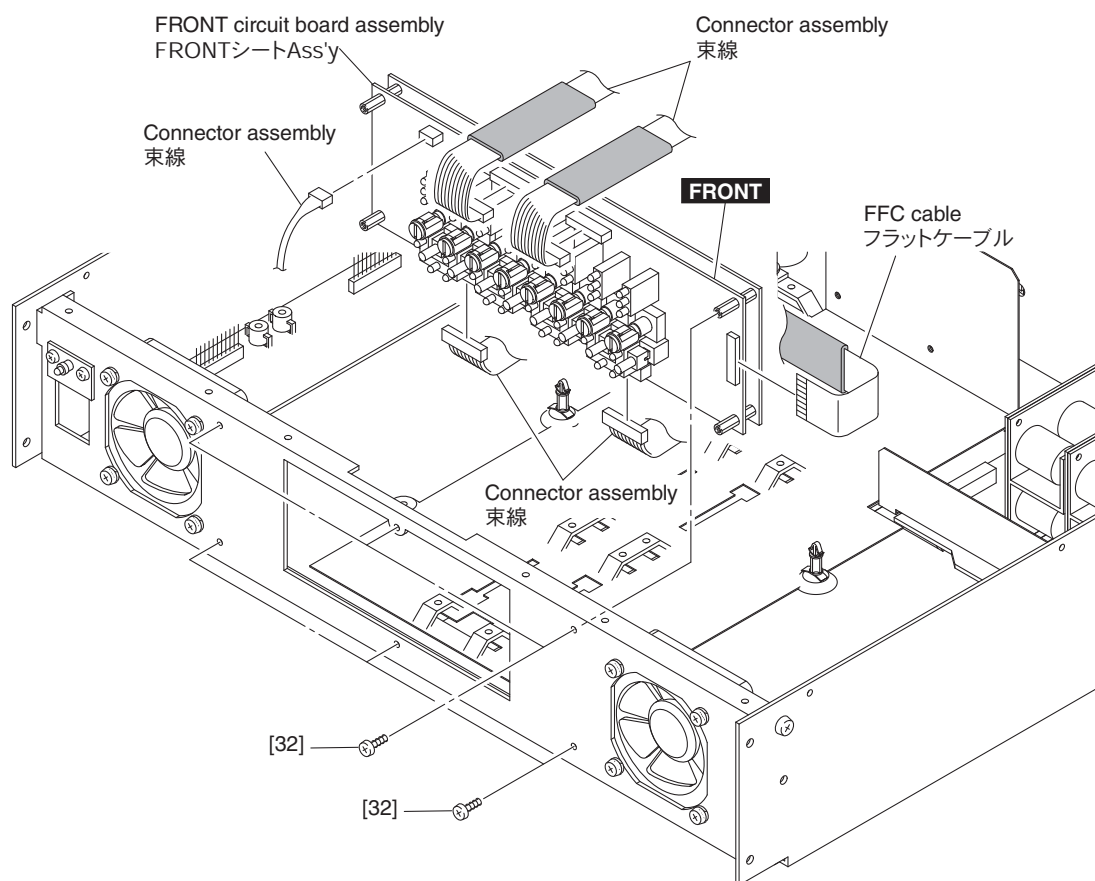
- 13-1. Remove the top cover. (See procedure 1.)
- 13-2. Remove all the POWER circuit boards.
(See procedure 3.)
- 13-3. Remove the INPUT POWER circuit board.
(See procedure 6.)
- 13-4. Remove the front panel together with the deco panel assembly and the power switch assembly.
(See procedure 10.)
- 13-5. Disconnect all the connector assemblies from the FRONT circuit board. (Fig. 11)
- 13-6. Remove the six (6) screws marked [32]. The FRONT circuit board assembly can then be removed together with the . (Fig. 11)

Note: For details of the FRONT circuit board assembly, see parts list page xx.

13. FRONT シート Ass'y (所要時間：約 15 分)

- 13-1. トップカバーを外します。(1 項参照)
- 13-2. すべての POWER シートを外します。(3 項参照)
- 13-3. INPUT POWER シートを外します。(6 項参照)
- 13-4. フロントパネルを DECO パネル Ass'y、電源スイッチ Ass'y と共に外します。(10 項参照)
- 13-5. すべての束線を、FRONT シートから外します。
(図 11)
- 13-6. [32] のネジ 6 本を外し、FRONT シート Ass'y を外します。(図 11)

注意： FRONT シート Ass'y の詳細については、パーツリスト xx ページを参照してください。



[32]: BIND HEAD SCREW 3x6 MFZN2B3 (WS522500) 小ネジ+ BIND

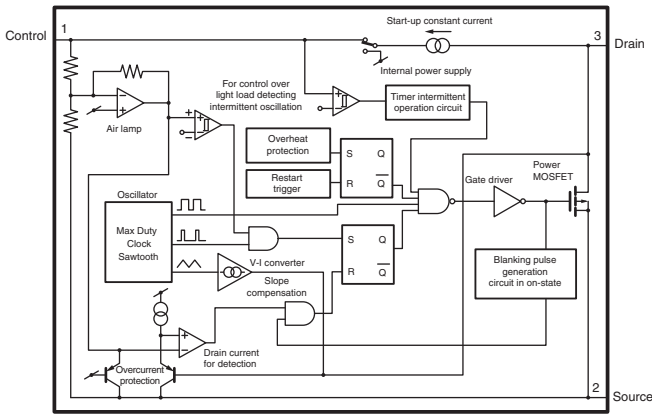
Fig. 11 (図 11)

IC BLOCK DIAGRAM (IC ブロック図)

• **MIP2E4DMY (YA883A0)**

IPD

INPUT POWER: IC971



• **NJM2068M-D TE1 (AAX6275)**

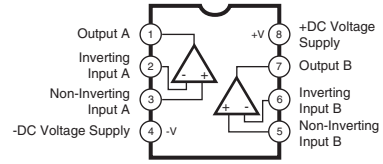
Operational Amplifier

REAR: IC11, 31, 51, 71

FRONT: IC101, 102, 202, 301, 302, 402, IC501, 502, 602, 701, 702, 802

MOTHER A-D: IC1101, 1301

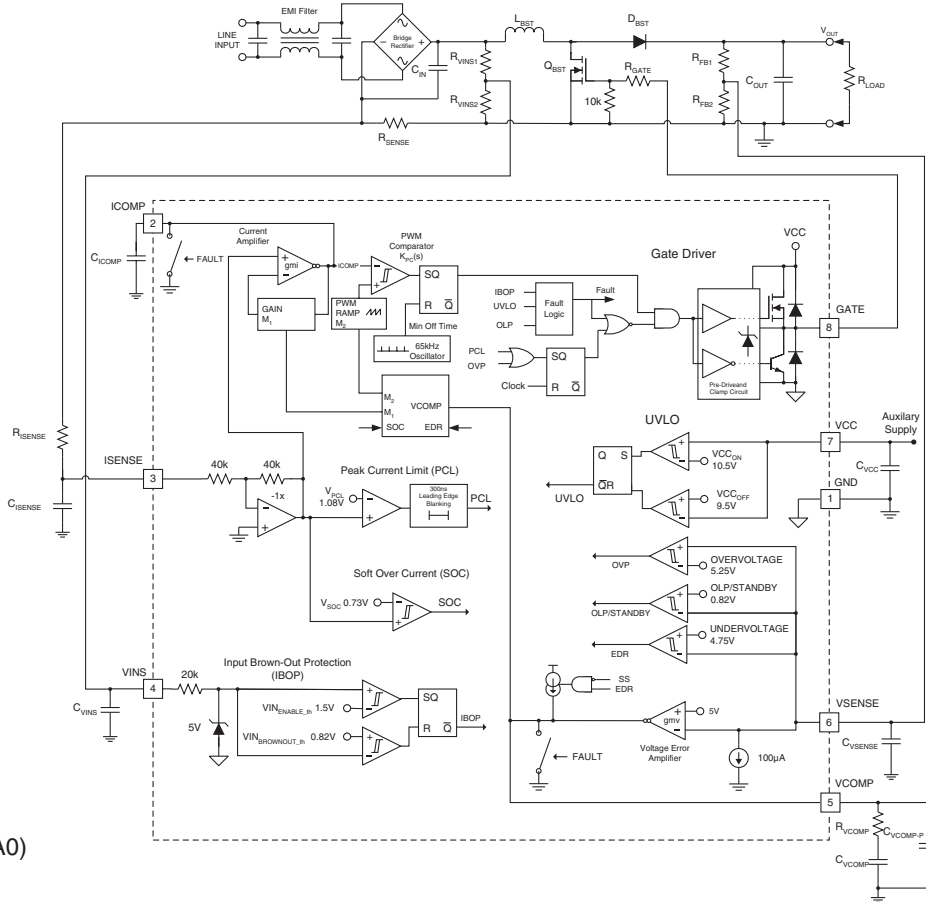
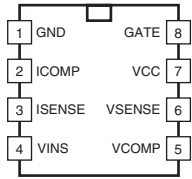
MOTHER E-H: IC1501, 1701



• **UCC28019DR (YA885A0)**

PFC Controller

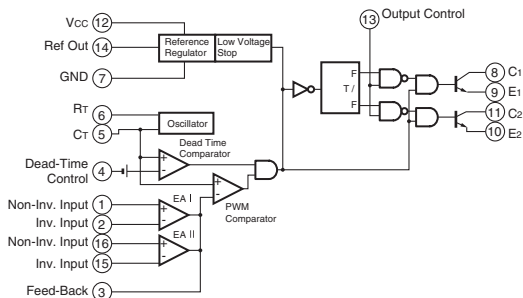
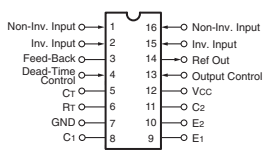
POWER: IC901



• **UPC494GS-T2-A T (X8569A0)**

SWR Controller

POWER: IC902



■ CIRCUIT BOARDS (シート基板図)

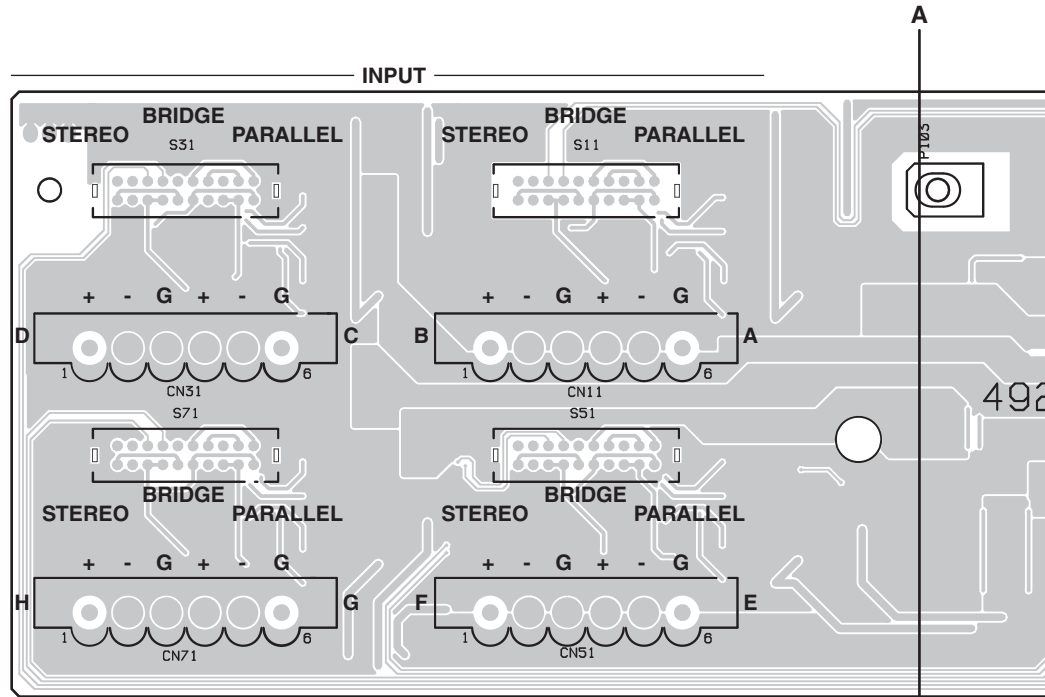
CONTENTS (目次)

| | | |
|-----------------------------|-----------------|----|
| • AMP Circuit Board | (4205-20) | 42 |
| • CONNECTOR Circuit Board | (5258-20) | 42 |
| • FRONT Circuit Board | (1060-20) | 26 |
| • INPUT POWER Circuit Board | (9077-20) | 36 |
| • LED Circuit Board | (5258-20) | 42 |
| • MOTHER A–D Circuit Board | (5258-20) | 28 |
| • MOTHER E–H Circuit Board | (7483-20) | 32 |
| • POWER Circuit Board | (8152-20) | 40 |
| • REAR Circuit Board | (2029-20) | 24 |

Note: See parts list for details of circuit board component parts.

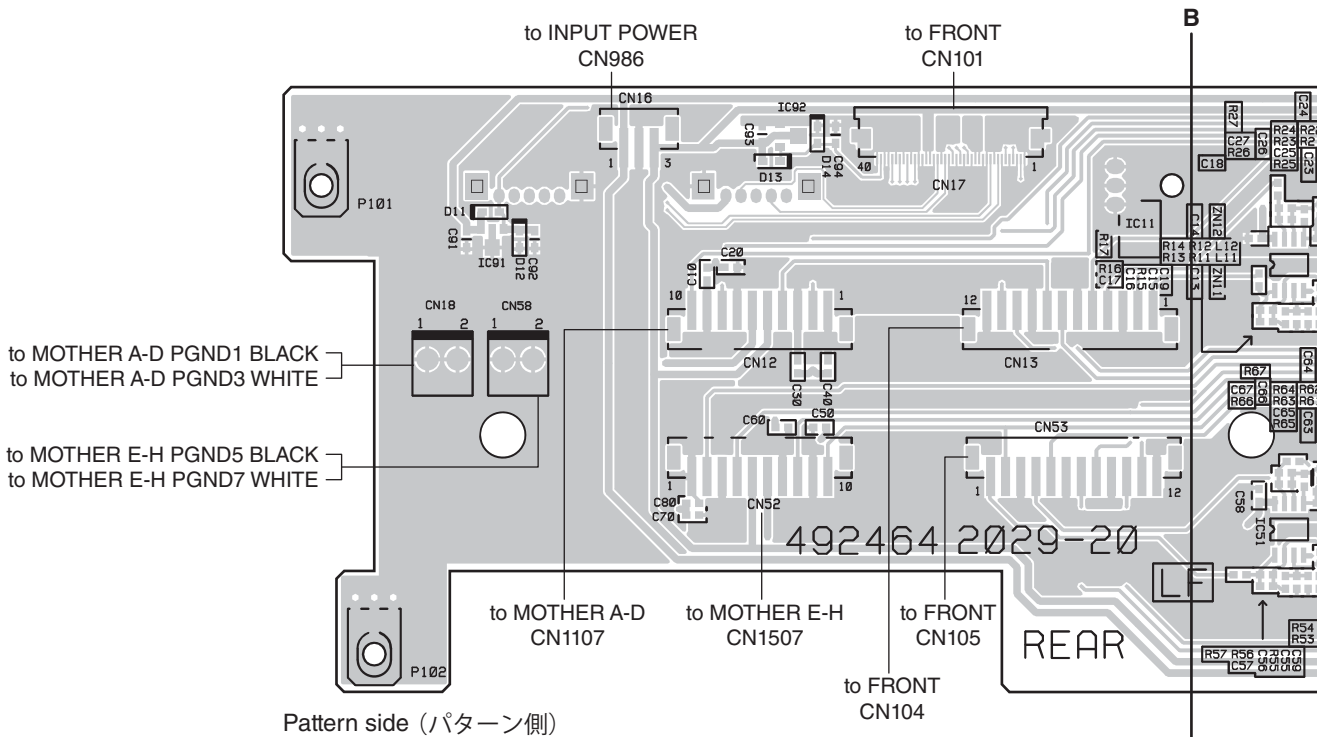
注： シートの部品詳細はパーツリストをご参照ください。

• REAR Circuit Board



Component side (部品側)

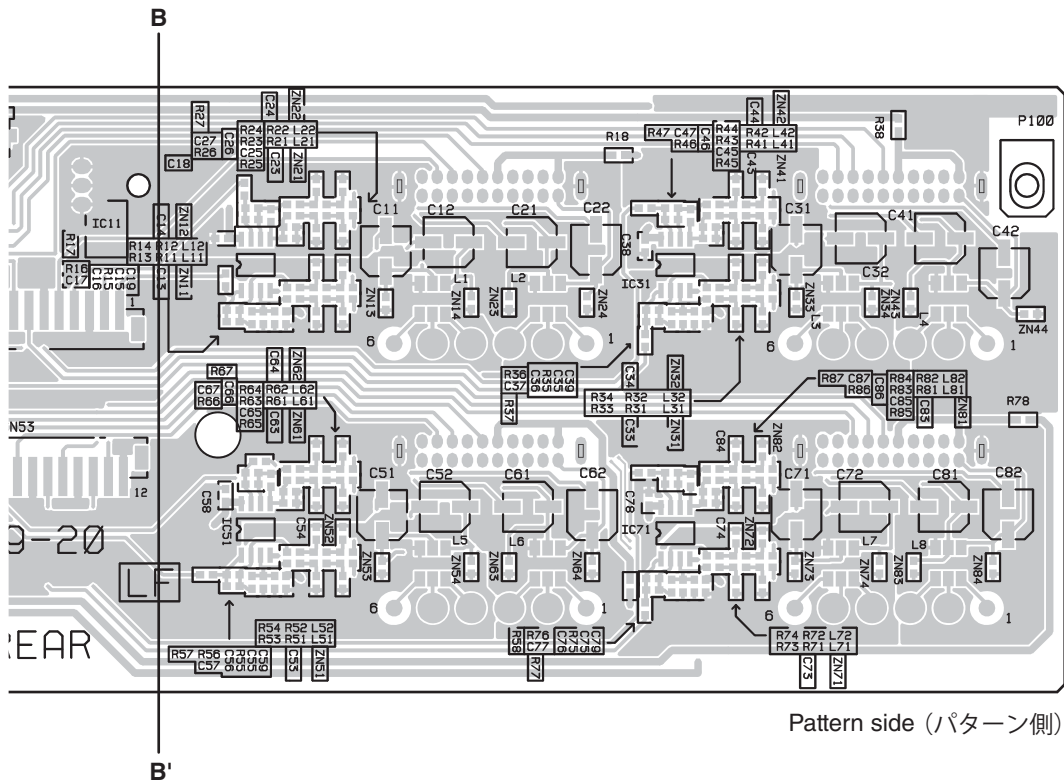
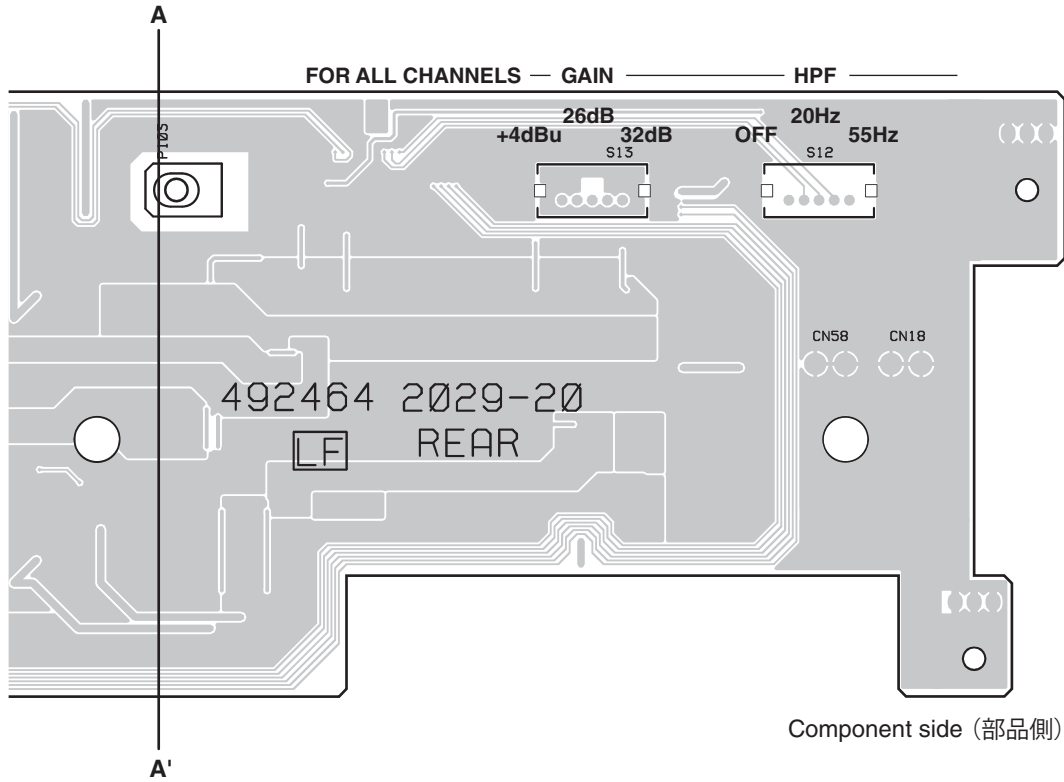
A'



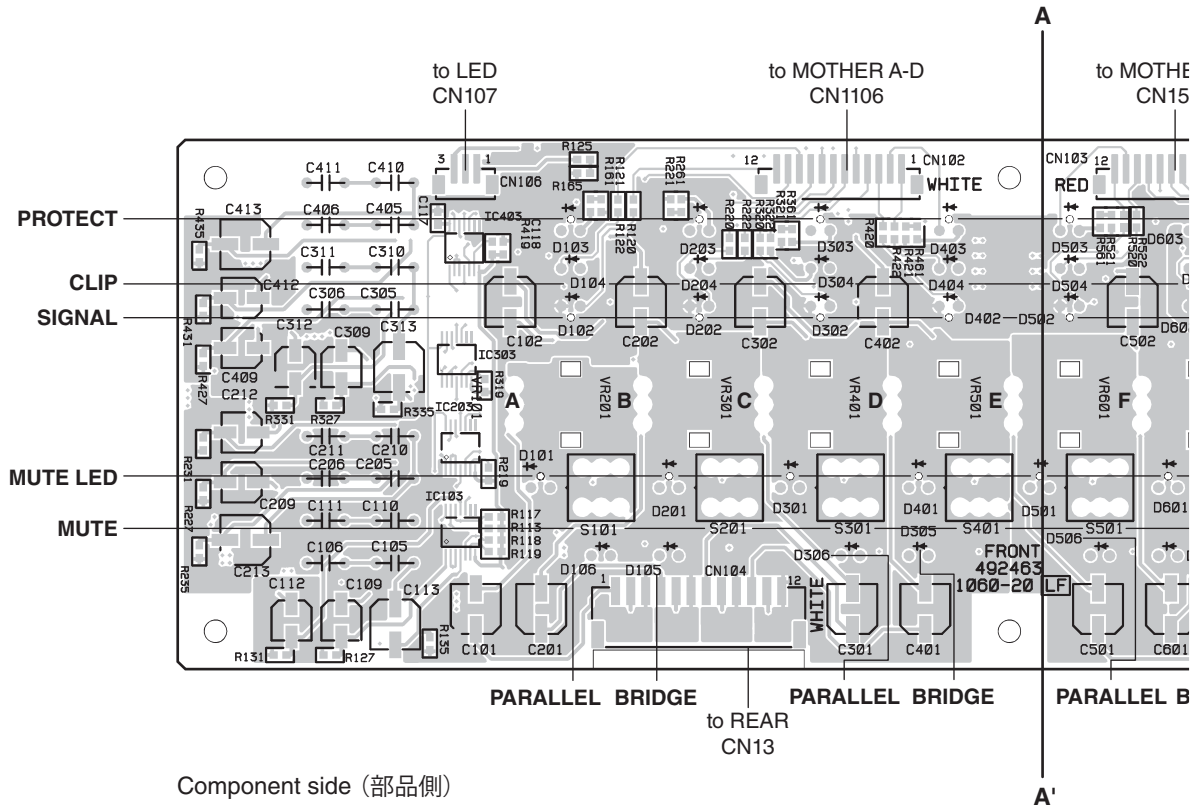
Pattern side (パターン側)

B'

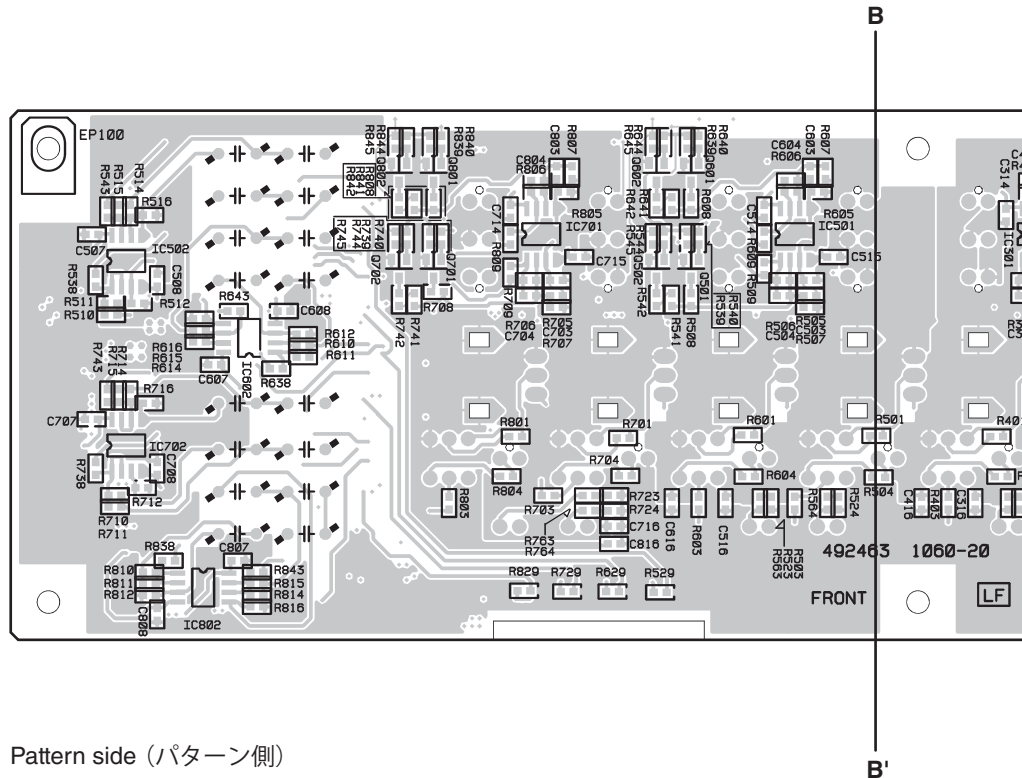
• REAR Circuit Board



• FRONT Circuit Board

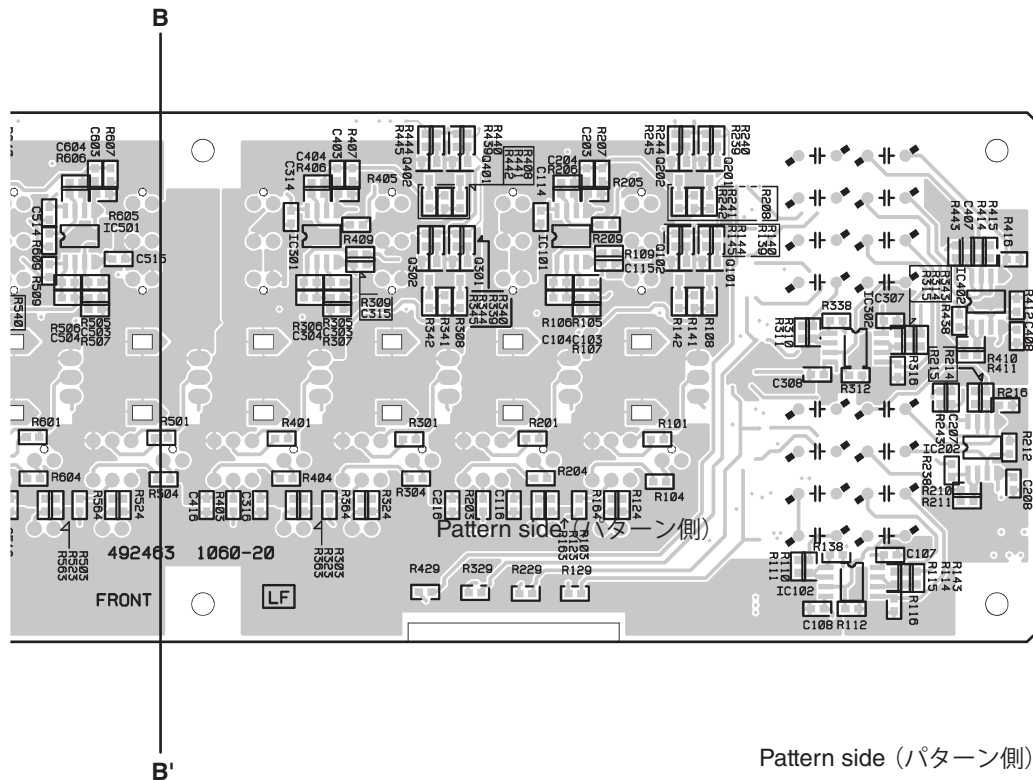
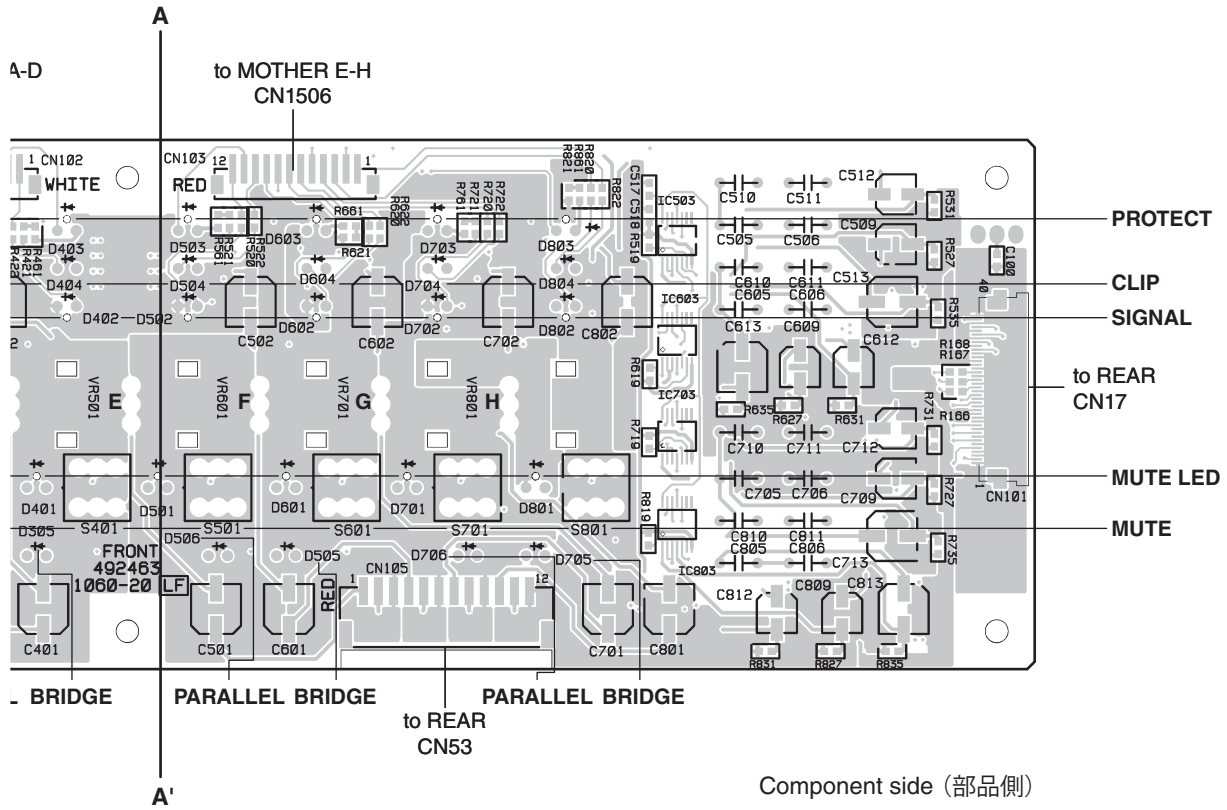


Component side (部品側)



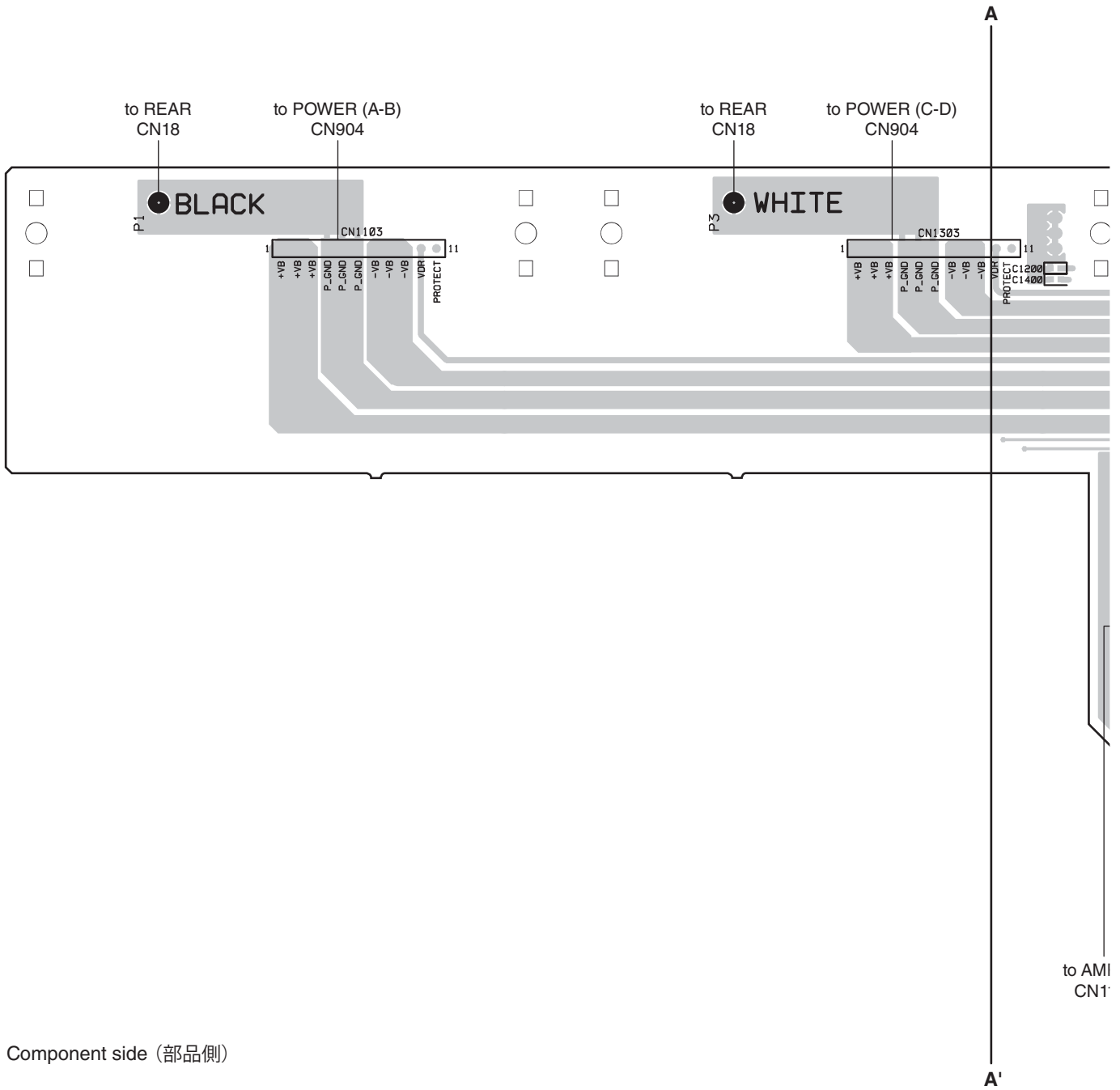
Pattern side (パターン側)

• FRONT Circuit Board

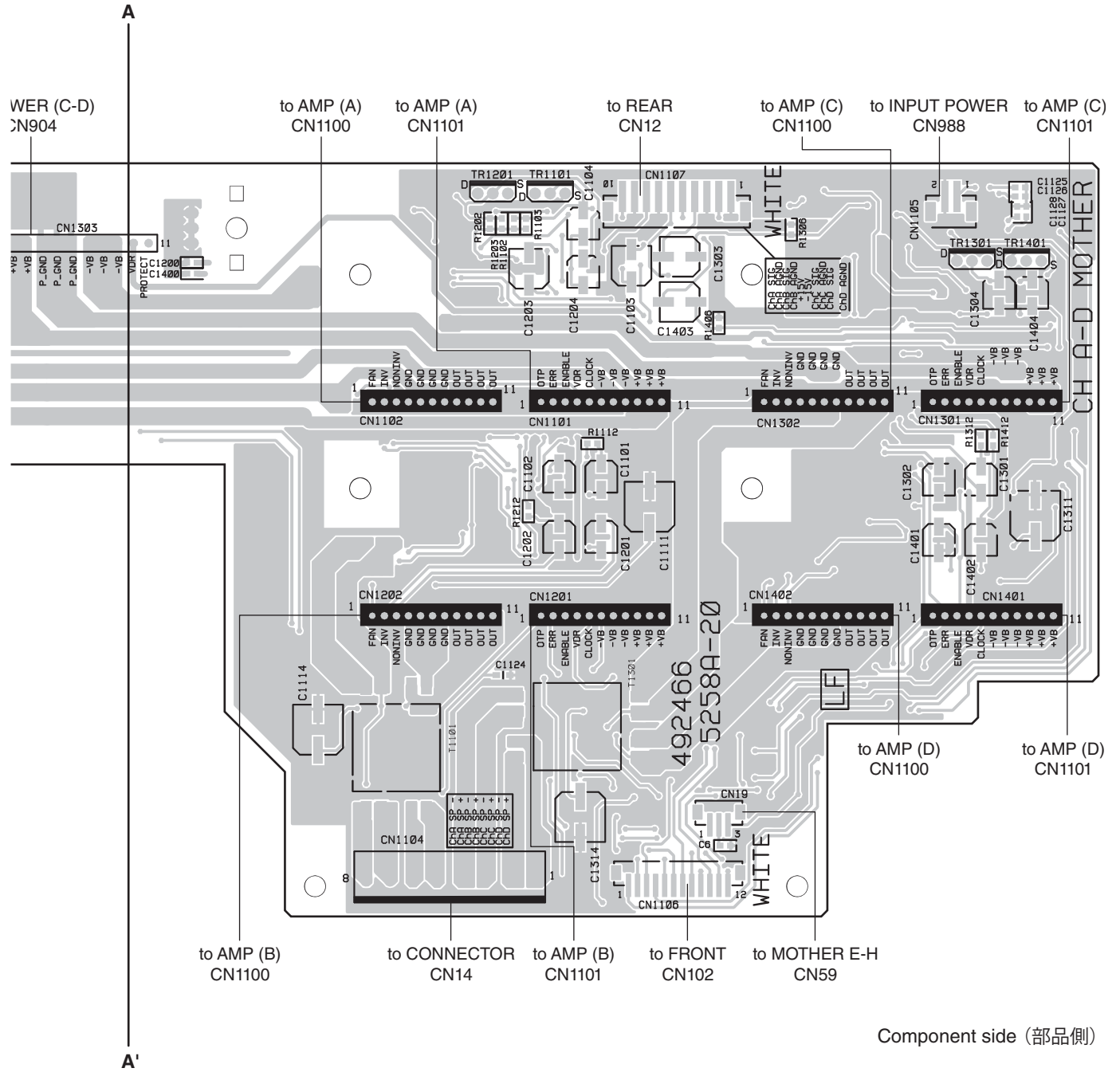


492463

• MOTHER A-D Circuit Board

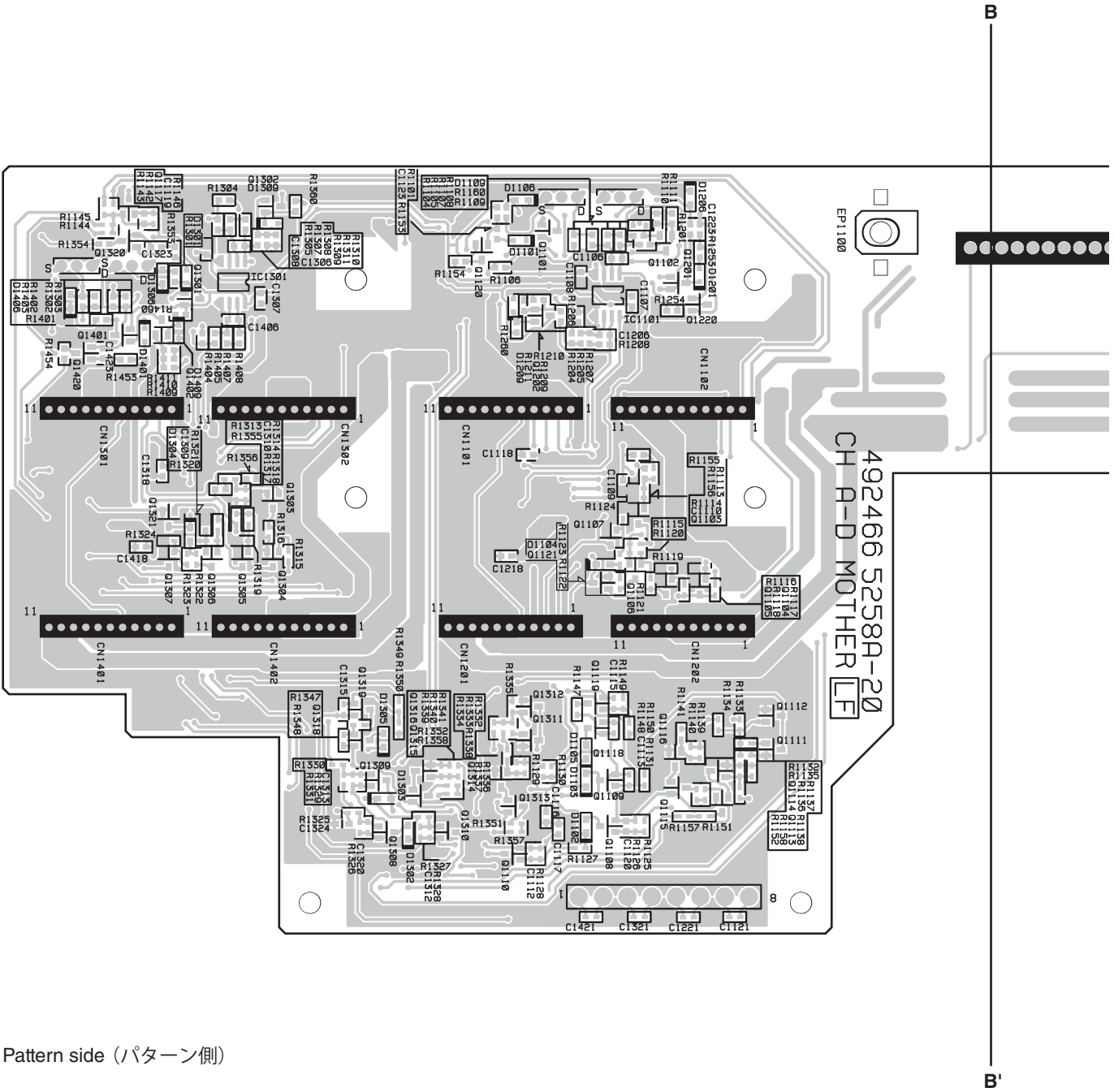


• MOTHER A-D Circuit Board



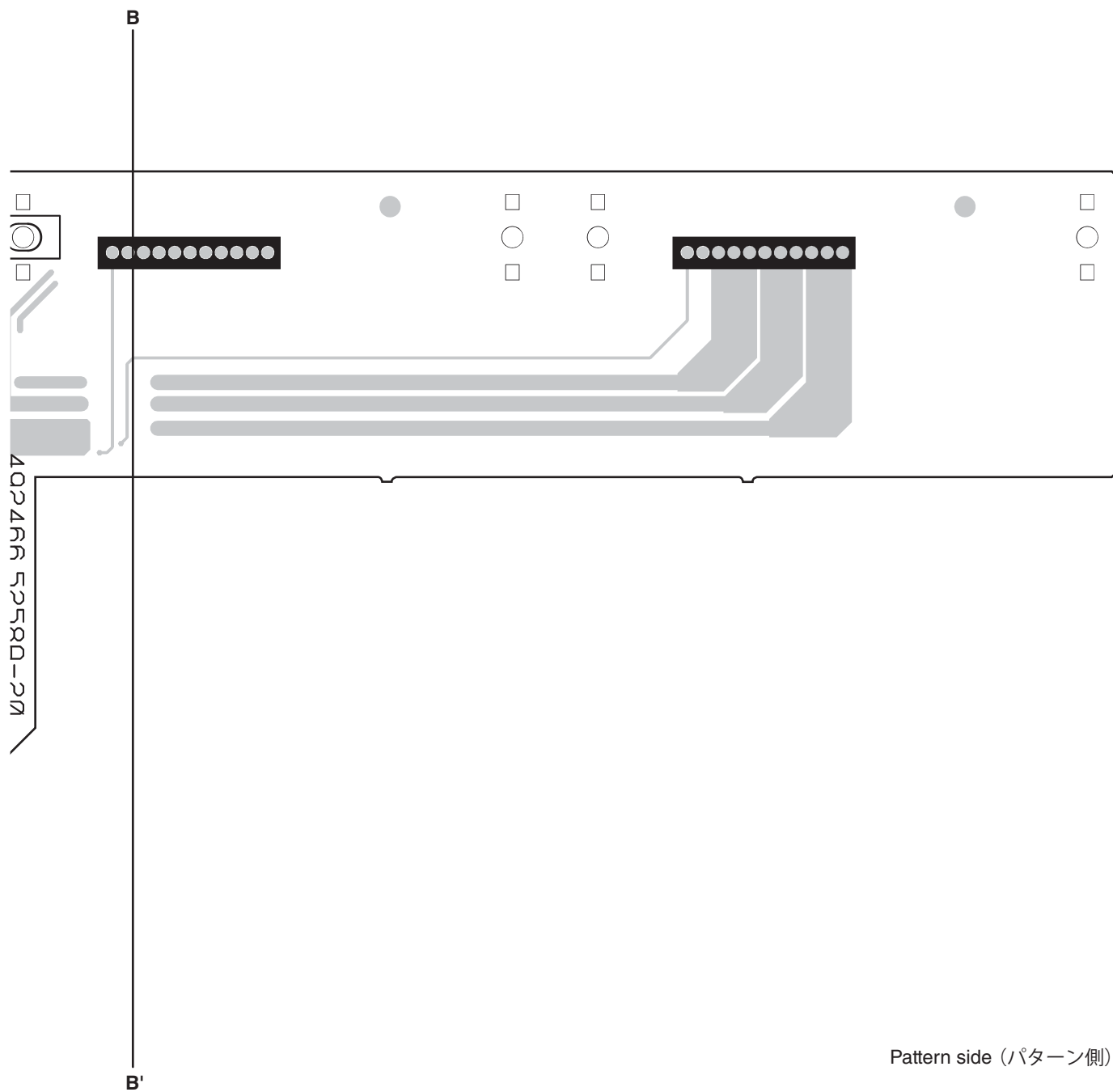
Component side (部品側)

• MOTHER A-D Circuit Board

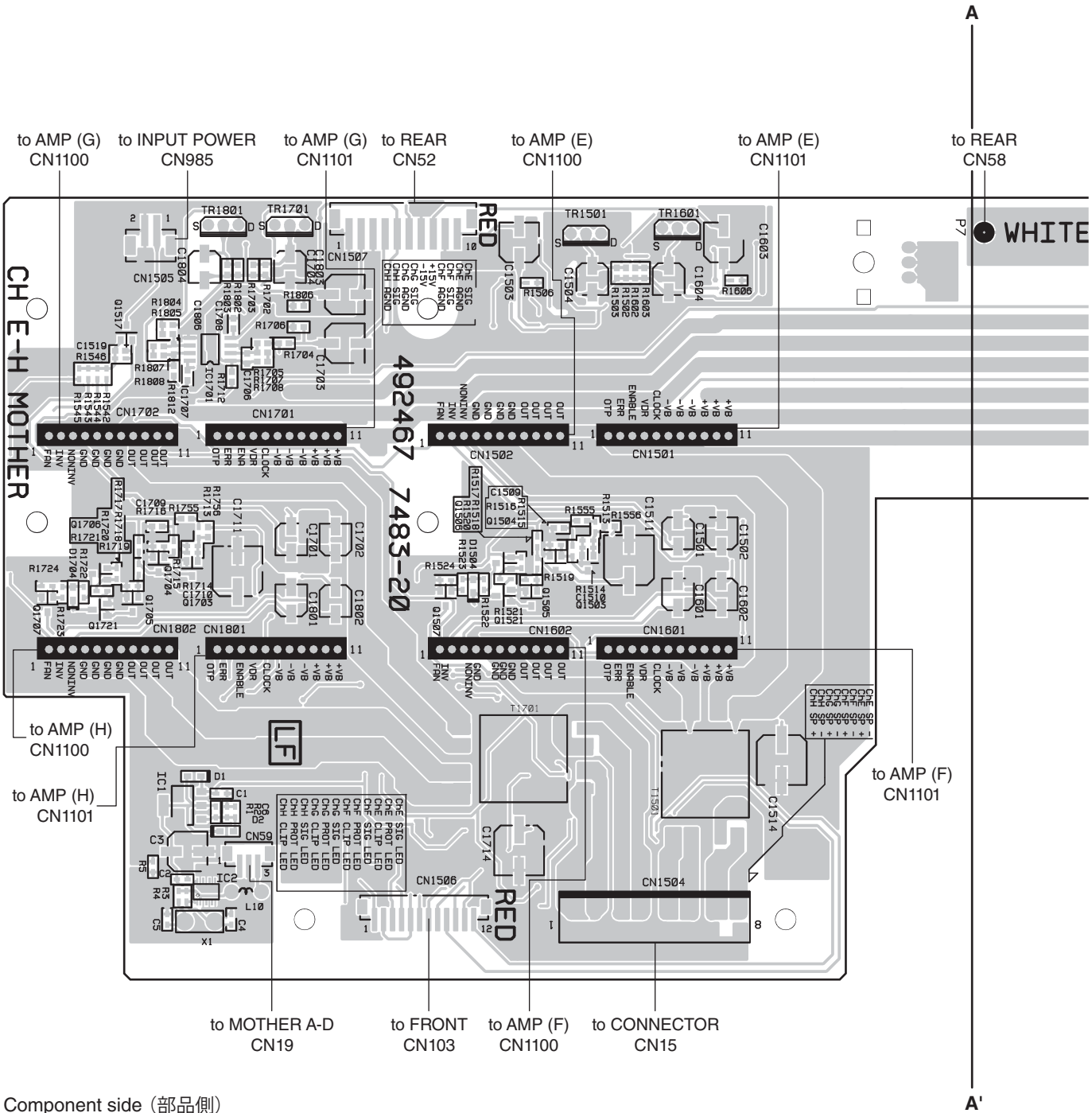


Pattern side (パターン側)

• MOTHER A-D Circuit Board

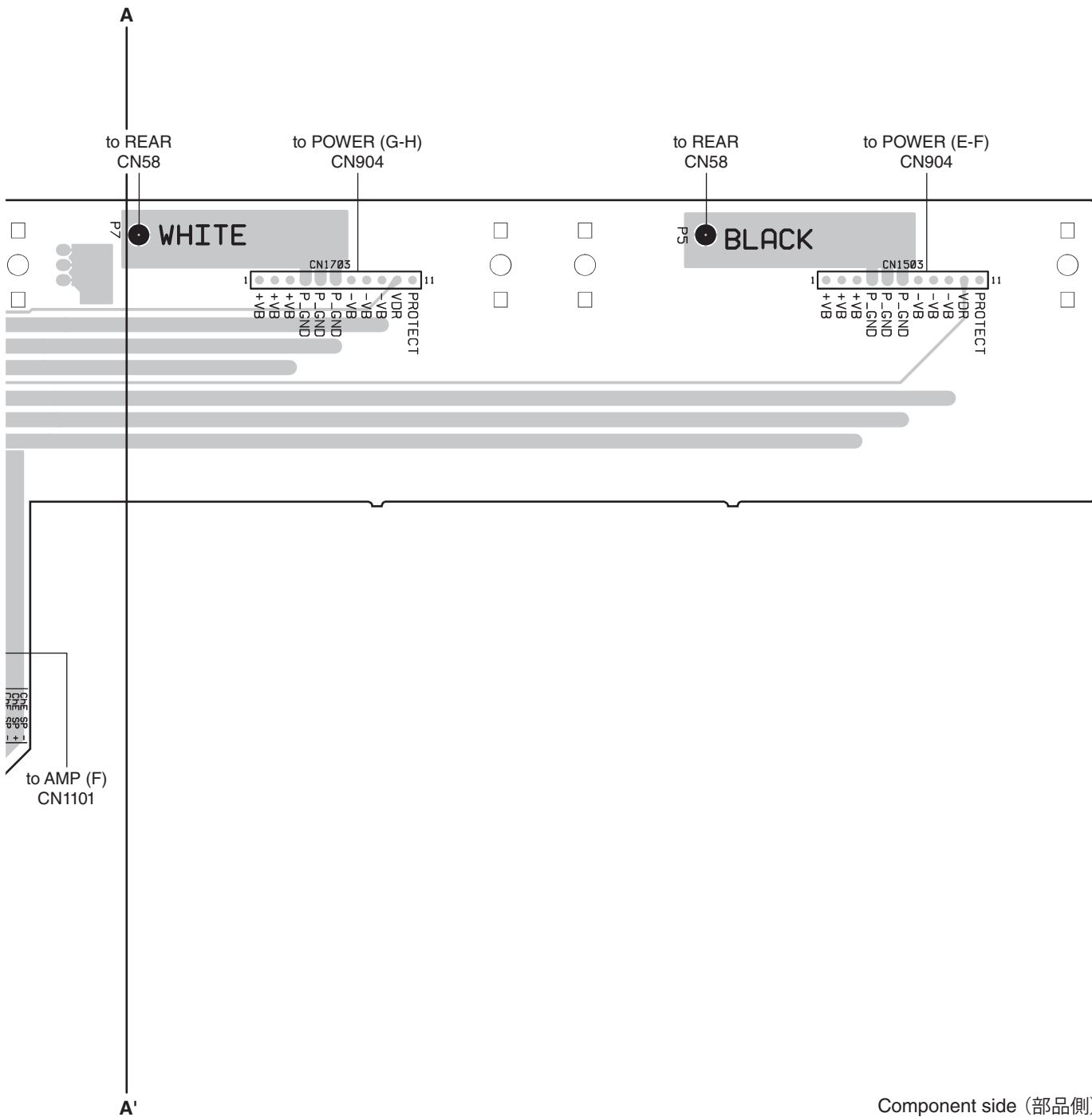


• MOTHER E-H Circuit Board

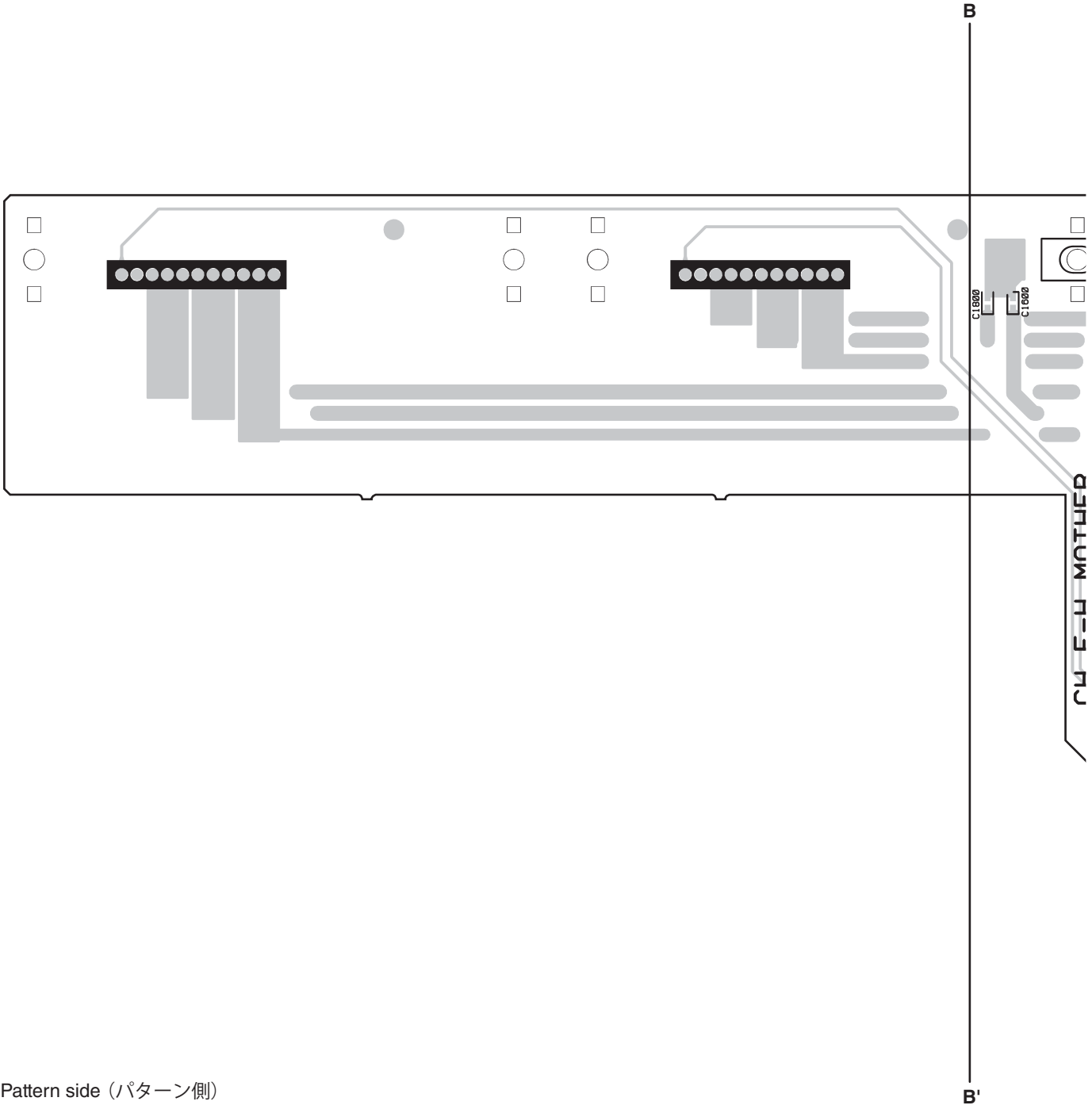


Component side (部品側)

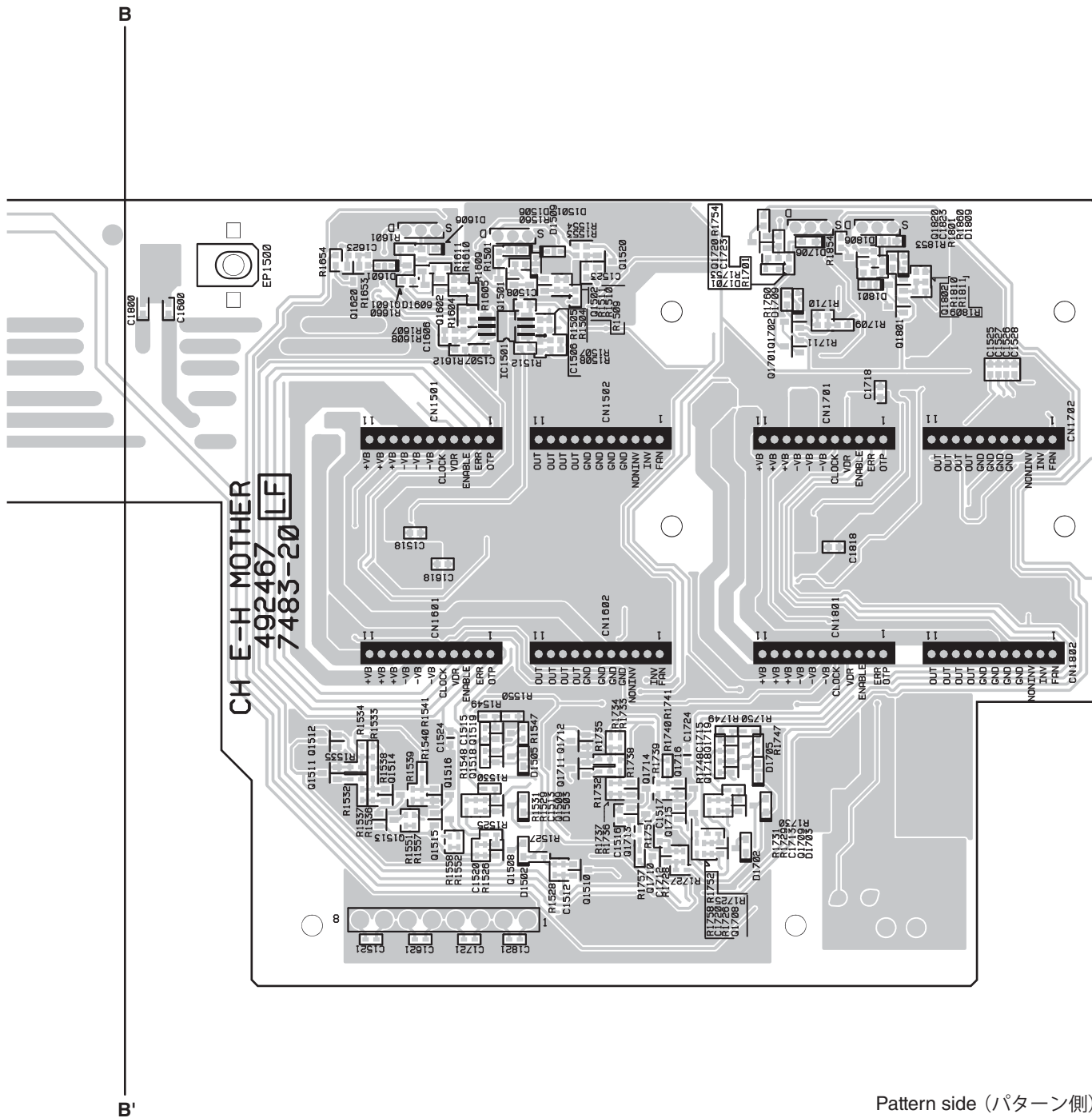
• MOTHER E-H Circuit Board



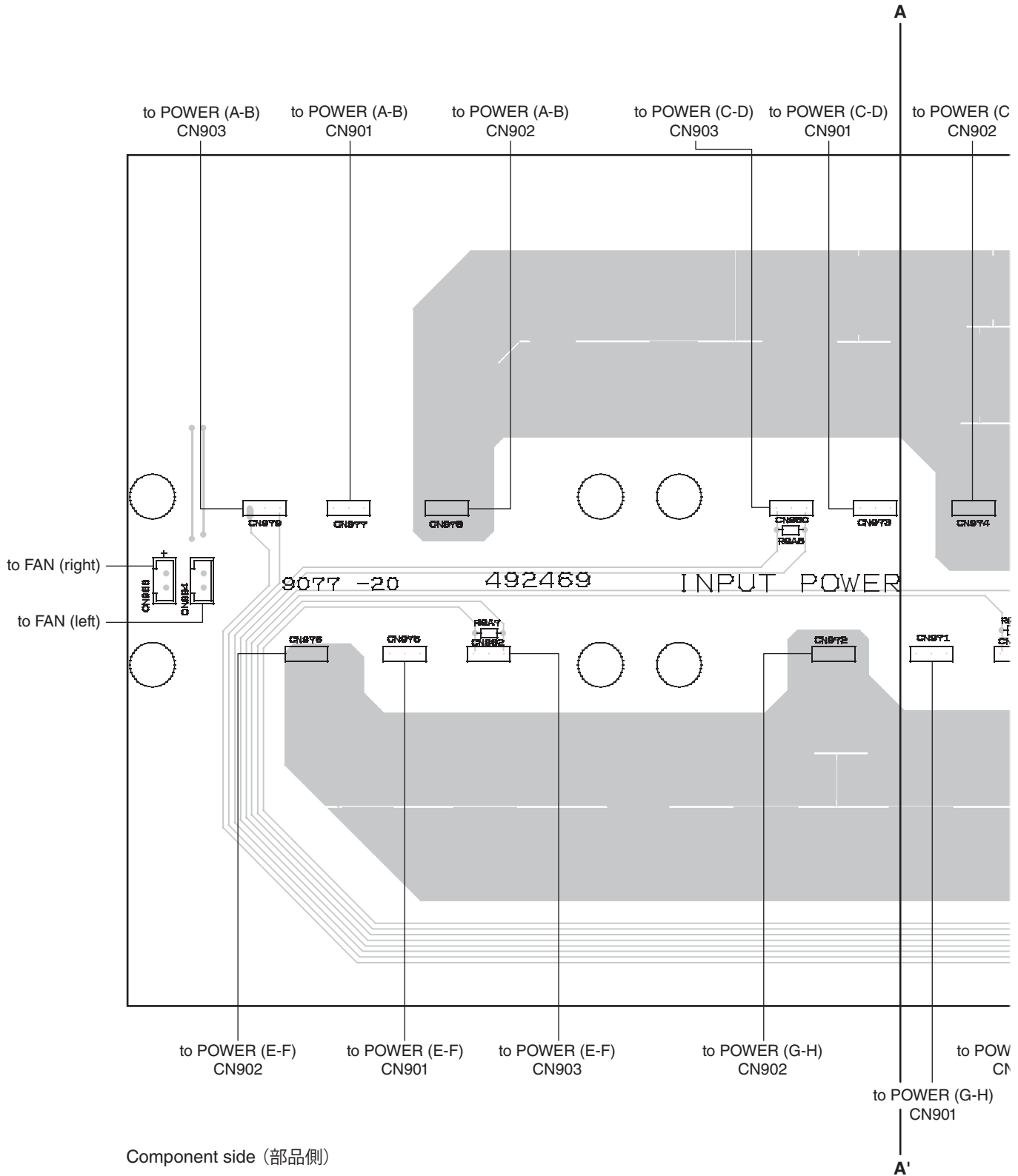
- MOTHER E-H Circuit Board



• MOTHER E-H Circuit Board

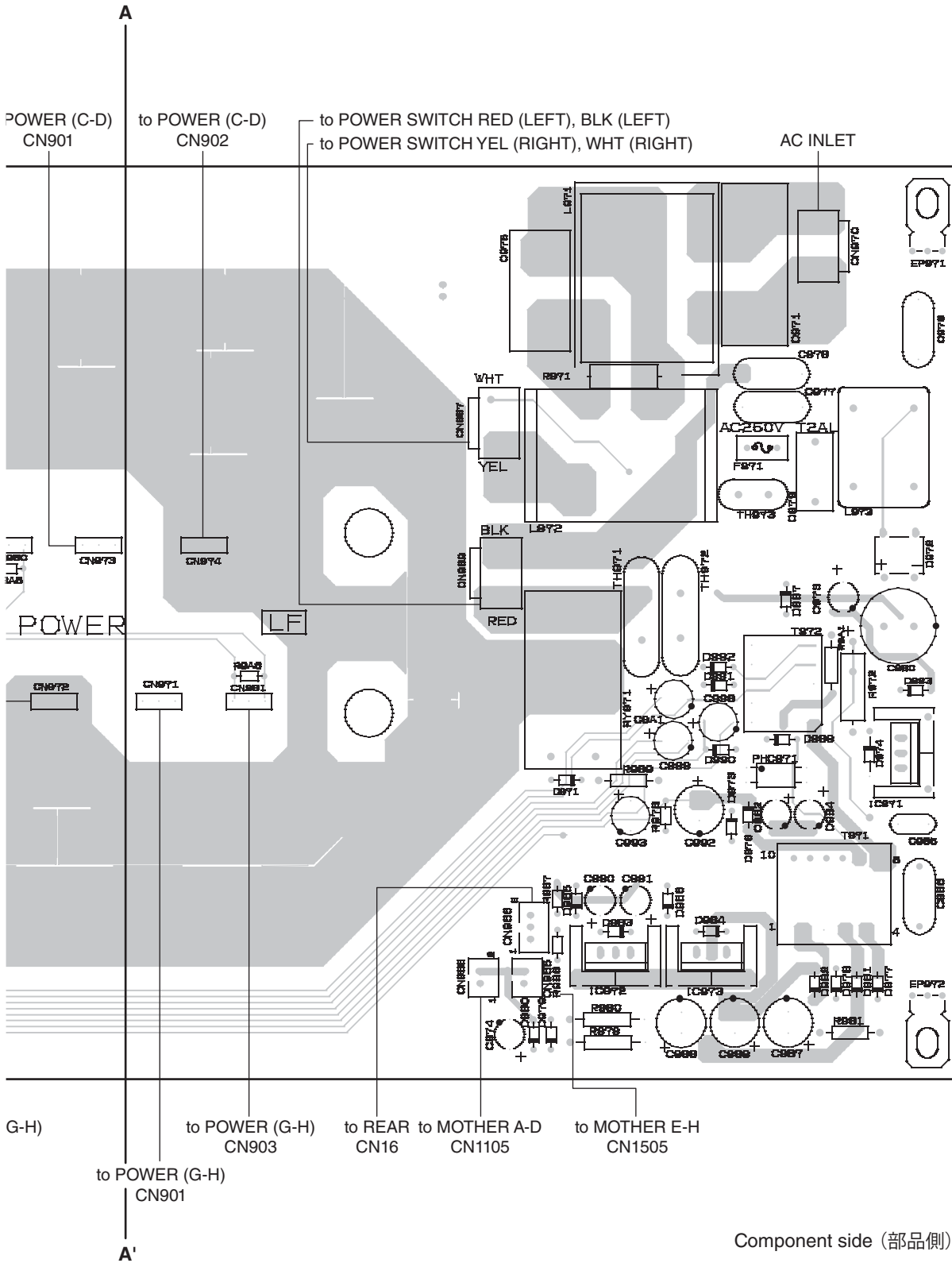


• INPUT POWER Circuit Board



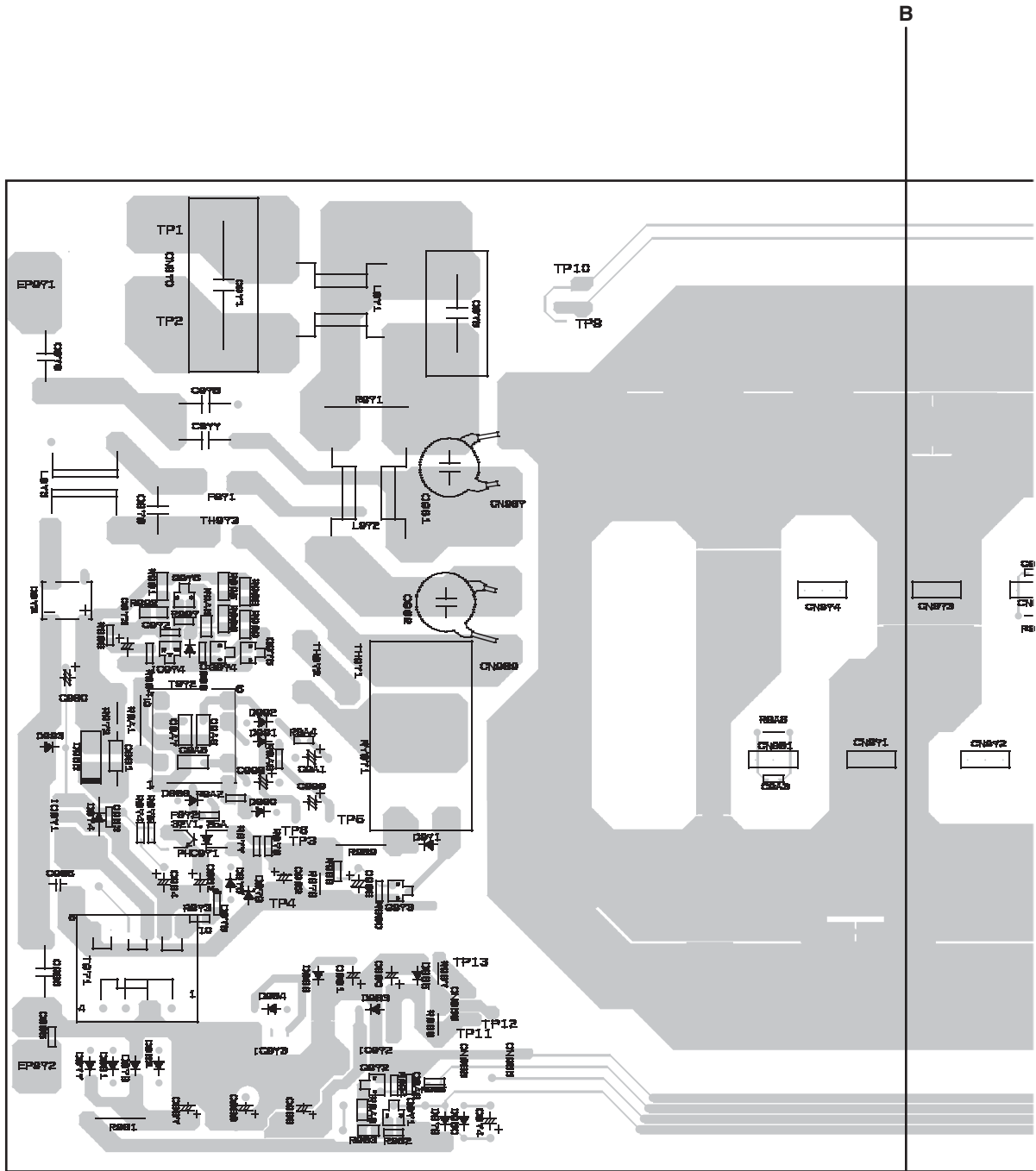
Component side (部品側)

• INPUT POWER Circuit Board



Component side (部品側)

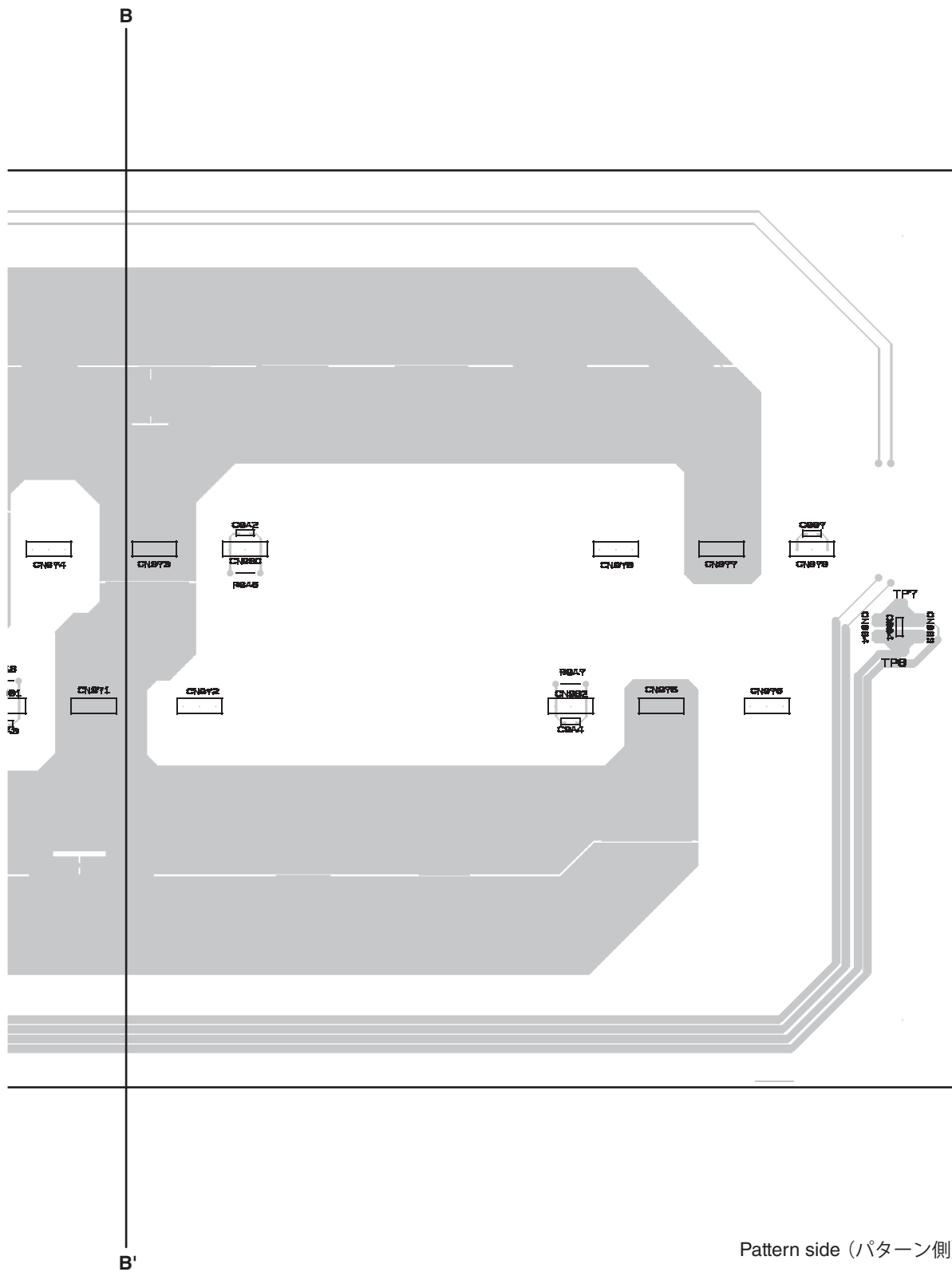
• INPUT POWER Circuit Board



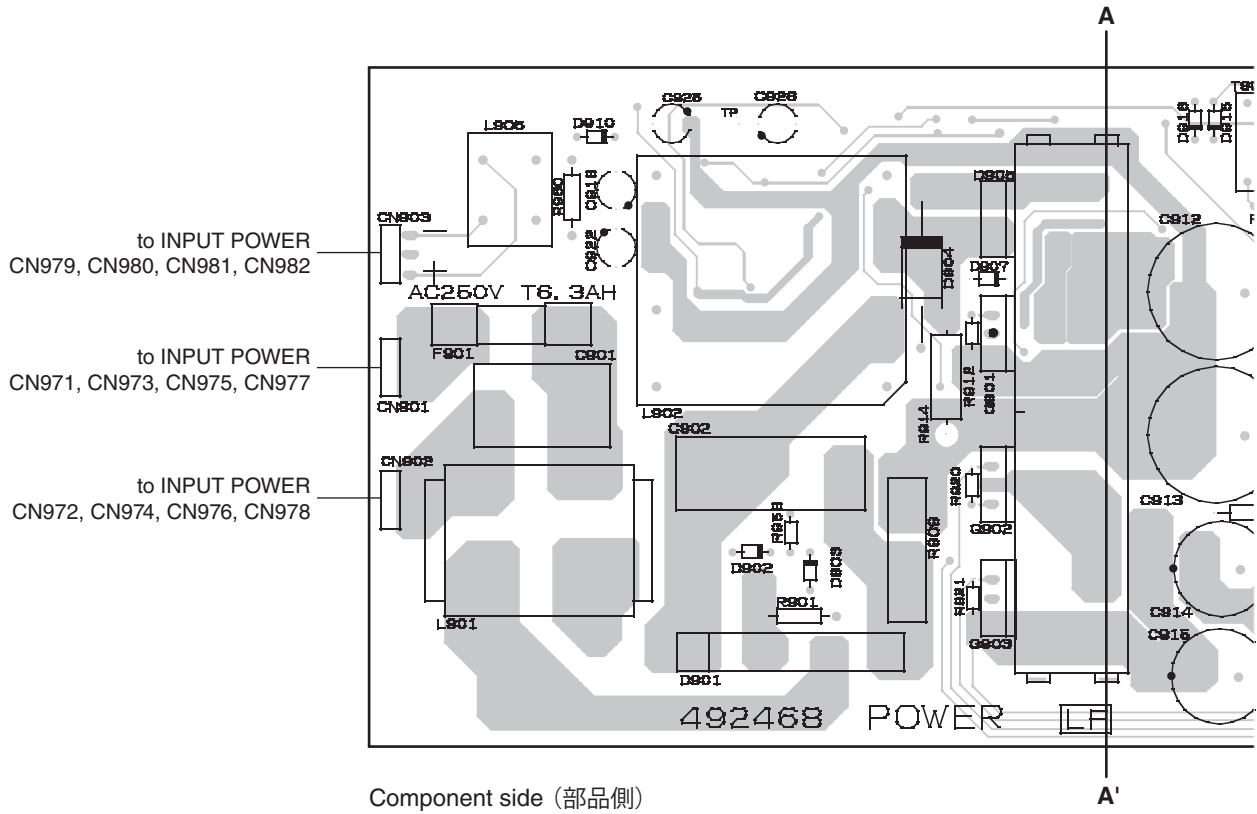
Pattern side (パターン側)

B
B'

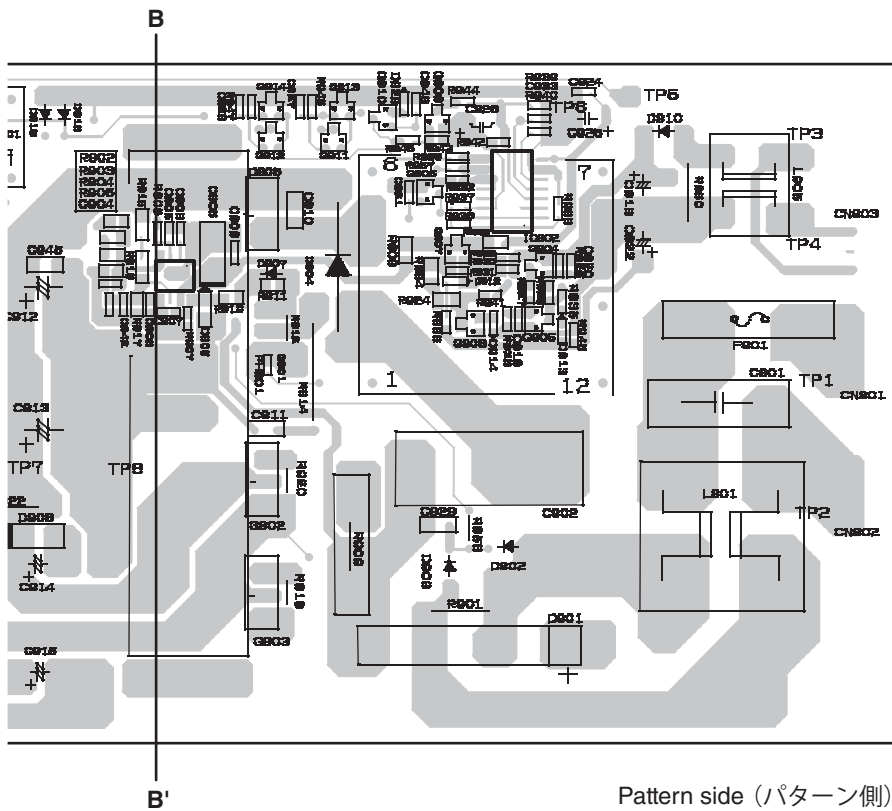
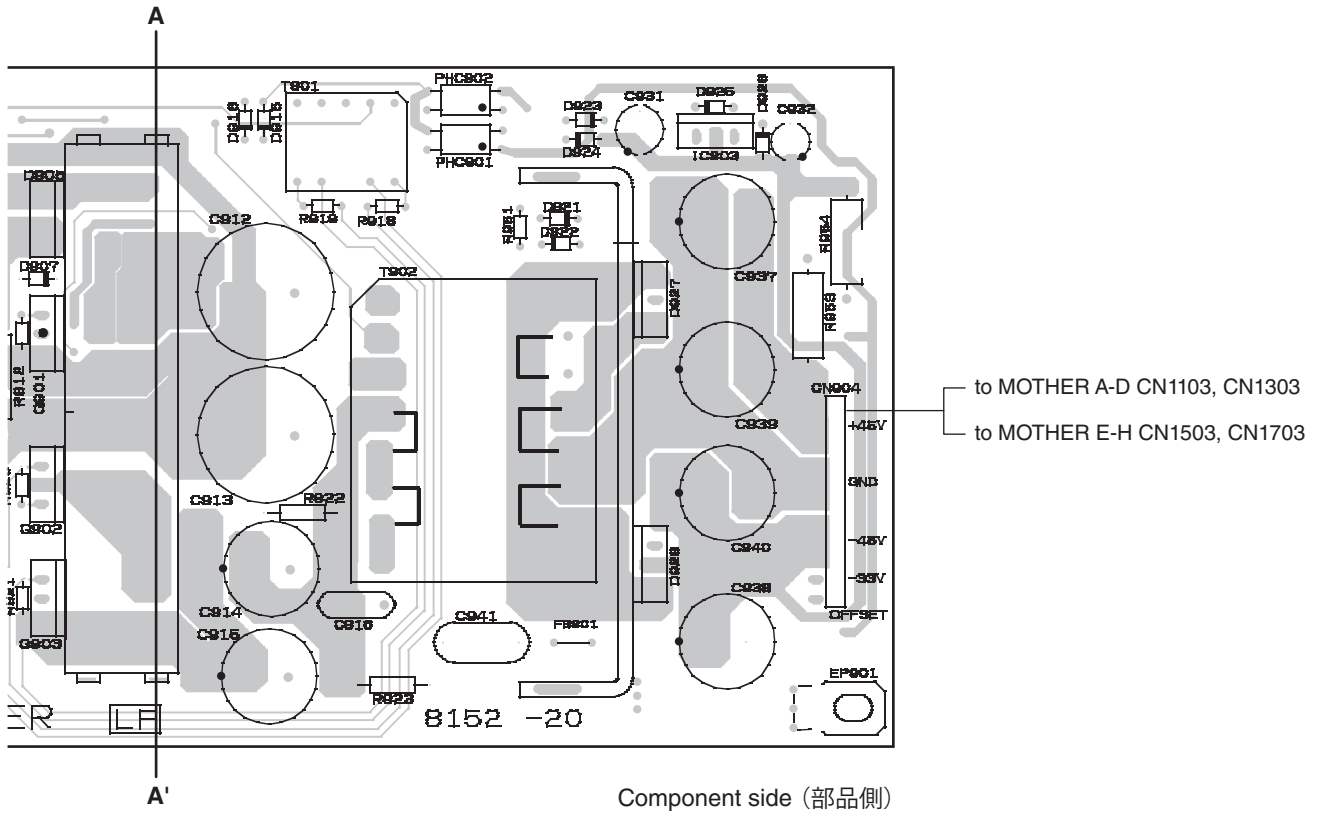
• INPUT POWER Circuit Board



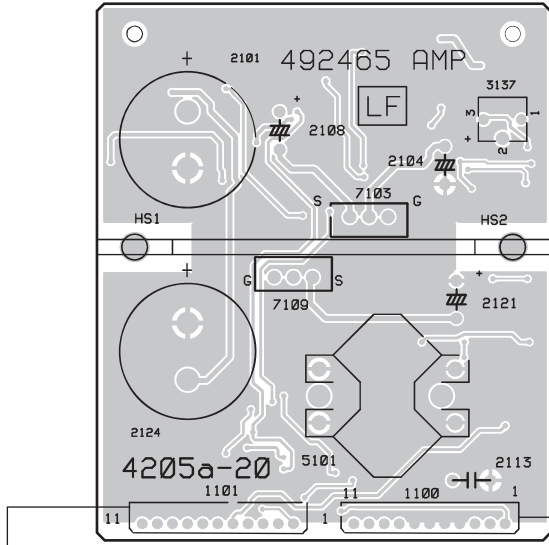
• POWER Circuit Board



• POWER Circuit Board

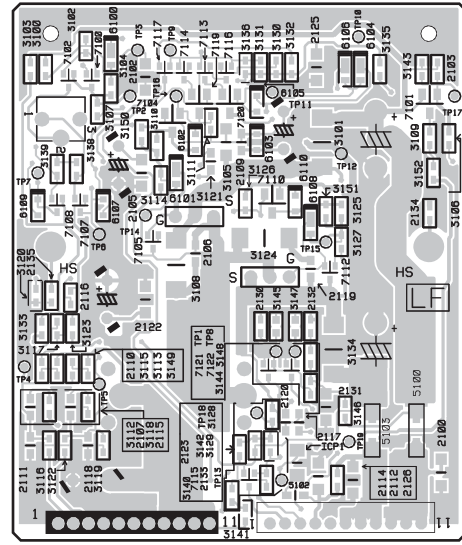


• AMP Circuit Board



to MOTHER A-D CN1101, CN1201, CN1301, CN1401
to MOTHER E-H CN1501, CN1601, CN1701, CN1801
Component side (部品側)

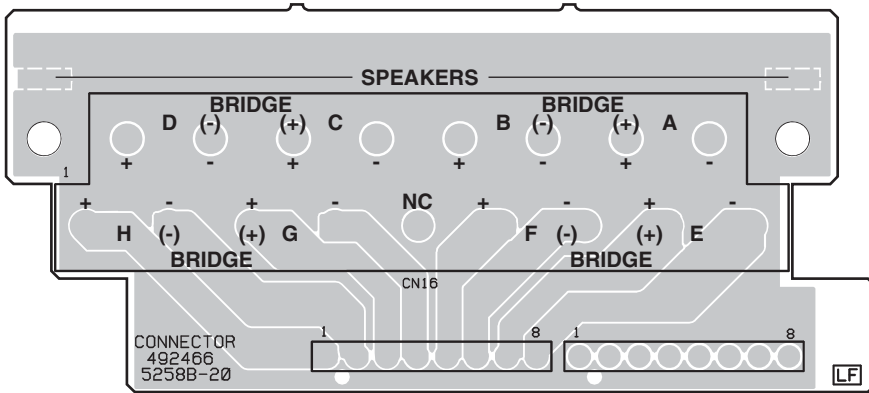
to MOTHER A-D
CN1102, CN1202,
CN1302, CN1402
to MOTHER E-H
CN1502, CN1602,
CN1702, CN1802



Pattern side (パターン側)

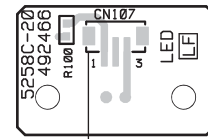
492465

• CONNECTOR Circuit Board

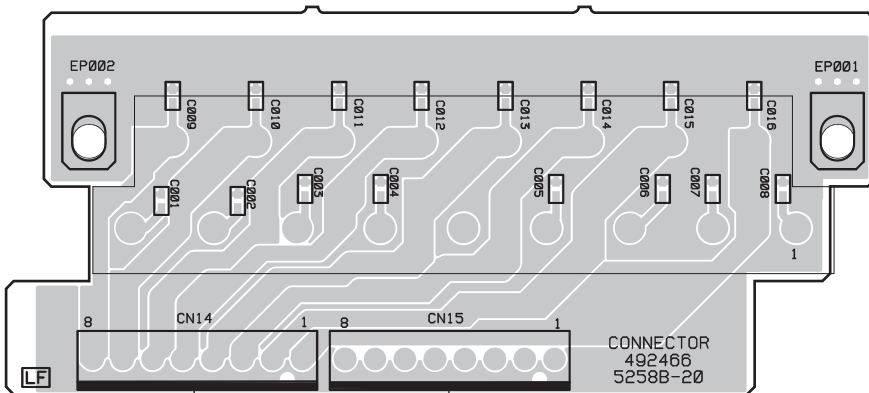


Component side (部品側)

• LED Circuit Board



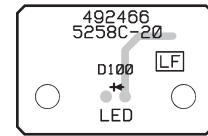
to FRONT
CN106
Component side (部品側)



to MOTHER A-D
CN1104

to MOTHER E-H
CN1504

Pattern side (パターン側)



POWER LED GREEN

Pattern side (パターン側)

492466

492466

■ INSPECTIONS

1. Test Conditions

Measuring Voltage : AC 100V 50/60 Hz (J)
 : AC 120V 60 Hz (U)
 : AC 230V 50 Hz (B, E)
 : AC 220V 50 Hz (O)
 : AC 220V 60 Hz (K)

Normal temperature : From 10 °C to 35 °C

Normal humidity : From 45 % to 85 %

Load : 4 Ω

INPUT : 1 kHz

Attenuator : All channel maximum

MUTE switch : All channel OFF

GAIN switch : "26 dBu"

HPF switch : "OFF"

MODE switch : "STEREO"

FILTER : DIN – Audio

2. Electrical Characteristic

| No. | Item | Input Conditions | Output Conditions | Nominal | Limit | | |
|-----|-------------------------------|--|---|---|----------------------------|-------------------------------------|-------------|
| 1 | Output Power | All channel input | 1% T.H.D. Output | 4 Ω | 210 W | > 200 W | |
| | | | 8 Ω | 120 W | > 100 W | | |
| | | All channel input MODE switch "BRIDGE" | 8 Ω B.T.L. | 420 W | > 400 W | | |
| 2 | Signal to Noise Ratio | Input short GAIN switch "32 dBu" | Ref: 1 kHz, 1 % T.H.D. Output Load: 4 Ω Measure with A weighted | 101 dB | > 100 dB | | |
| 3 | T.H.D | All channel input | 1 kHz Half power | 4 Ω 8 Ω | 0.1 % 0.1 % | < 0.5 % < 0.5 % | |
| 4 | Frequency Response | | 20 Hz 20 kHz | Ref: 1 kHz, 1 W Output Load: 8 Ω No Filter | -1 dB | > -1.5 dB < 0 dB | |
| | | | | | -1 dB | > -1.5 dB < 0 dB | |
| 5 | Crosstalk | Input: A, B, C, D, E, F, G, H to adjacent channel Measured channel, Input impedance = 600 Ω GAIN switch "32 dBu" | Ref: 1 kHz Half power output Load 8 Ω | 70 dB | > 60 dB | | |
| 6 | Residual Noise | Attenuator: Minimum Input impedance = 150 Ω GAIN switch "32 dBu" | Load: 8 Ω Measure with A weighted | -72 dBu | < -70 dBu | | |
| 7 | GAIN Switch | Input: 1 kHz, -10 dBu | Ref: Switch "26 dBu" Load: 8 Ω | Switch "26 dB" Switch "+4 dBu" Switch "32 dB" | 16 dBu 1.2 dB 6.0 dB | 16 ±2 dBu 1.2 ±2 dB 6.0 ±2 dB | |
| 8 | HPF Switch | Ref: Switch "OFF" | 20 Hz 55 Hz | Ref: Switch "OFF" 1 W Output Load 8 Ω | Switch "20 Hz" | -3.2 dBu | -3.2 ±2 dB |
| | | | | | Switch "55 Hz" | -3.2 dBu | -3.2 ± 2 dB |
| 9 | Idle Output Power Consumption | No input | Load: 4 Ω | 67 W | 70 W ± 10 % | | |
| 10 | 1/8 Output Power Consumption | Input all channel 1 kHz, sine wave | Ref: 25 W output Load: 4 Ω | 360 W | < 400 W | | |

(NOTE) 0 dBu = 0.775 Vrms

3. Over Load Protection

Perform the following test on each channel.

Input the 1 kHz, sine wave to INPUT connectors, and adjust the input signal level so that the output level is +22.2 dBu (= 25 W, 4 Ω).

Short-circuit between “+” and “-” of SPEAKERS connectors and confirm that output stops and the PROTECT indicator lights red.

4. SIGNAL Indicator

Perform the following test on each channel with 8 Ω loaded.

Input the 1 kHz, sine wave to INPUT connectors, and adjust the input signal level so that the output level is +8.3 dBu.

Confirm that the SIGNAL indicator lights green.

5. CLIP Indicator

Perform the following test on each channel with 8 Ω loaded.

Input the 1 kHz, +7 dBu sine wave to INPUT connectors.

Confirm that the CLIP indicator lights red and the SIGNAL indicator lights green.

■ 検査

1. 試験条件

| | | | |
|---------|------------------------|-----------|---------------|
| 測定電圧 | : AC 100V 50/60 Hz (J) | MUTE スイッチ | : 全チャンネル OFF |
| 常温 | : 10 °C ~ 35 °C | GAIN スイッチ | : “26 dBu” |
| 恒湿 | : 45 % ~ 85 % | HPF スイッチ | : “OFF” |
| 負荷 | : 4 Ω | MODE スイッチ | : “STEREO” |
| 入力 | : 1 kHz | フィルター | : DIN – Audio |
| アッテネーター | : 全チャンネル 最大 | | |

2. 電気特性

| No. | 項目 | 入力条件 | 出力条件 | 標準値 | 限界値 | |
|-----|----------------|---|---|-------------------------------|----------------|---------------------|
| 1 | 定格出力 | 全チャンネル入力 | 1 % 歪率 出力 | 4 Ω | 210 W | > 200 W |
| | | 全チャンネル入力 | | 8 Ω | 120 W | > 100 W |
| | | MODE スイッチ “BRIDGE” | | 8 Ω B.T.L. | 420 W | > 400 W |
| 2 | 信号対雑音比 | 入力ショート GAIN スイッチ “32 dBu” | 基準 : 1 kHz、1 % 歪率 出力 負荷 : 4 Ω A ネットワークで測定 | 101 dB | > 100 dB | |
| 3 | 歪率 | 全チャンネル入力 | 1 kHz 1/2 定格出力 | 4 Ω | 0.1 % | < 0.5 % |
| | | | | 8 Ω | 0.1 % | < 0.5 % |
| 4 | 周波数特性 | | 20 Hz | 基準 : 1 kHz、1 W 出力 負荷 : 8 Ω | -1 dB | > -1.5 dB < 0 dB |
| | | | 20 kHz | フィルター使用せず | -1 dB | > -1.5 dB < 0 dB |
| 5 | クロストーク | 入力 : A、B、C、D、E、F、G、H から隣接チャンネルへ (測定チャンネル入力端子を 600 Ω で短絡) GAIN スイッチ “32 dBu” | 基準 : 1 kHz 1/2 定格出力 負荷 : 8 Ω | 70 dB | > 60 dB | |
| 6 | 残留雑音 | アッテネーター : 最小 入力インピーダンス = 150 Ω GAIN スイッチ “32 dBu” | 負荷 : 8 Ω A ネットワークで測定 | -72 dBu | < -70 dBu | |
| 7 | GAIN スイッチ | 入力 : 1 kHz、-10 dBu | 基準 : スイッチ “26 dBu” 負荷 : 8 Ω | スイッチ “26 dB” | 16 dBu | 16 ± 2 dBu |
| | | | | スイッチ “+4 dBu” | 1.2 dB | 1.2 ± 2 dB |
| | | | | スイッチ “32 dB” | 6.0 dB | 6.0 ± 2 dB |
| 8 | HPF スイッチ | 基準 : スイッチ “OFF” | 20 Hz 基準 : スイッチ “OFF” 1 W 出力 負荷 : 8 Ω | スイッチ “20 Hz” | -3.2 dBu | -3.2 ± 2 dB |
| | | | | 55 Hz スイッチ “55 Hz” | -3.2 dBu | -3.2 ± 2 dB |
| 9 | 無信号時の消費電力 | 入力なし | 負荷 : 4 Ω | 67 W | 70 W ± 10 % | |
| 10 | 1/8 定格出力時の消費電力 | 全チャンネル入力 1 kHz、正弦波 | 基準 : 25 W 出力 負荷 : 4 Ω | 360 W | < 400 W | |

(注) 0 dBu = 0.775 Vrms

3. 過負荷保護回路動作

次の検査を、各チャンネル毎に行います。

INPUT 端子に 1 kHz 正弦波を入力し、出力レベルが +22.2 dBu (= 25 W、4 Ω) になるように入力信号レベルを調整します。SPEAKERS 端子の “+” と “-” 間を短絡したとき、出力が無くなり、PROTECT インジケータが赤色に点灯することを確認します。

4. SIGNAL インジケータの確認

次の検査を、8 Ω 負荷状態で各チャンネル毎に行います。

INPUT 端子に 1 kHz 正弦波を入力し、出力レベルが +8.3 dBu になるように入力信号レベルを調整したとき、SIGNAL インジケータが緑色に点灯することを確認します。

5. CLIP インジケータの確認

次の検査を、8 Ω 負荷状態で各チャンネル毎に行います。

INPUT 端子に 1 kHz、+7 dBu 正弦波を入力したとき、CLIP インジケータが赤色に、SIGNAL インジケータが緑色に点灯することを確認します。

■ ADJUSTMENT OF AMP circuit board (AMP シートの調整)

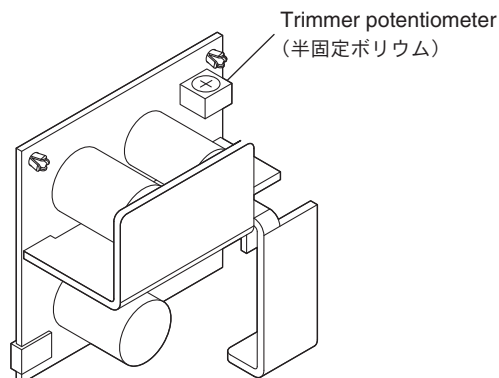
Perform the following adjustment on each channel.

1. Connect a 4 Ω load resistor to the SPEAKERS connectors.
2. After turning on the power, wait more than 60 seconds until performance is stabilized.

Then adjust the trimmer potentiometer to make the voltage across the load resistor DC ±3 mV or less.

次の調整を、各チャンネル毎に行います。

1. SPEAKER 端子に 4 Ω の負荷抵抗を接続します。
2. 電源 ON 後、60 秒以上経過して動作が安定してから、負荷抵抗の両端電圧が DC ±3 mV 以下となるように半固定ポリウムを調整します。



POWER AMPLIFIER

IPA 8200

PARTS LIST

■ CONTENTS (目次)

| | | | |
|--|-----|-------|---|
| OVERALL ASSEMBLY (総組立) | 1/2 | | 2 |
| | 2/2 | | 4 |
| FRONT CIRCUIT BOARD ASSEMBLY (FRONT シート Ass'y) | | | 6 |
| DECO PANEL ASSEMBLY (DECO パネル Ass'y) | | | 7 |
| AC INLET ASSEMBLY (AC インレット Ass'y) | | | 7 |
| ELECTRICAL PARTS (電気部品) | | | 8 |

Notes: DESTINATION ABBREVIATIONS

| | |
|--------------------------|---------------------------------|
| A : Australian model | M : South African model |
| B : British model | O : Chinese model |
| C : Canadian model | Q : South-east Asia model |
| D : German model | T : Taiwan model |
| E : European model | U : U.S.A. model |
| F : French model | V : General export model (110V) |
| H : North European model | W : General export model (220V) |
| I : Indonesian model | N,X: General export model |
| J : Japanese model | Y : Export model |

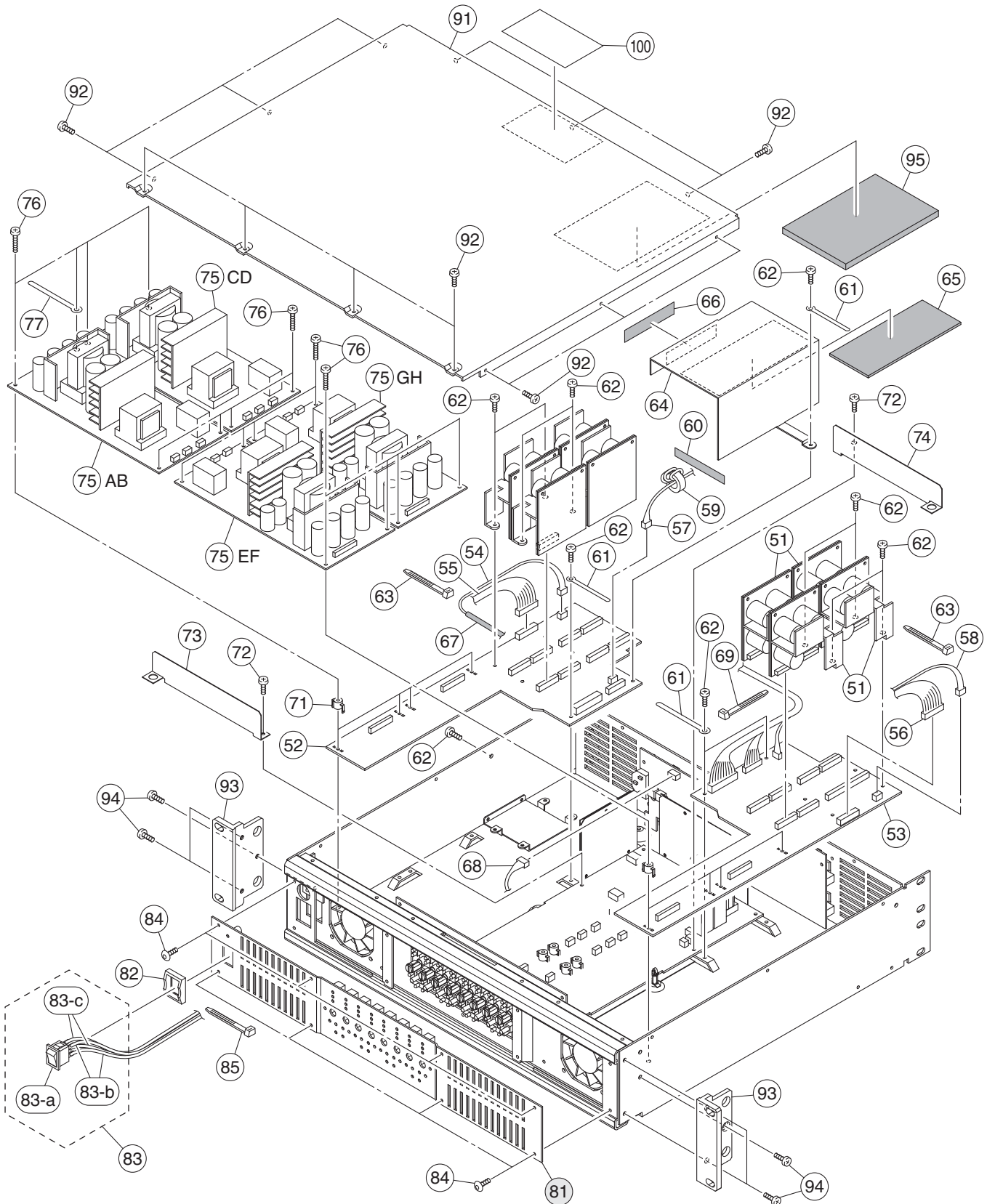
■ WARNING (注意)

Components having special characteristics are marked \triangle and must be replaced with parts having specification equal to those originally installed.

\triangle 印の商品は、安全を維持するために重要な部品です。交換する場合は、安全のために必ず指定の部品をご使用ください。

- The numbers "QTY" show quantities for each unit.
- The parts with "--" in "PART NO." are not available as spare parts.
- This mark "}" in the REMARKS column means these parts are interchangeable.
- The second letter of the shaded (■) part number is O, not zero.
- The second letter of the shaded (■) part number is I, not one.
- 部品価格ランクは、変更になることがあります。
- QTY 欄に記されている数字は、各ユニット当たりの使用個数です。
- PART NO. が "--" の部品は、サービス用部品として準備されておりません。
- REMARKS 欄の「}」マークの部品は、併用部品です。
- 網掛けの付いた PART NO. の 2 番目の文字は「ゼロ」ではなく、「オー」です。
- 網掛けの付いた PART NO. の 2 番目の文字は「イチ」ではなく、「アイ」です。

OVERALL ASSEMBLY 1/2 (総組立 1/2)



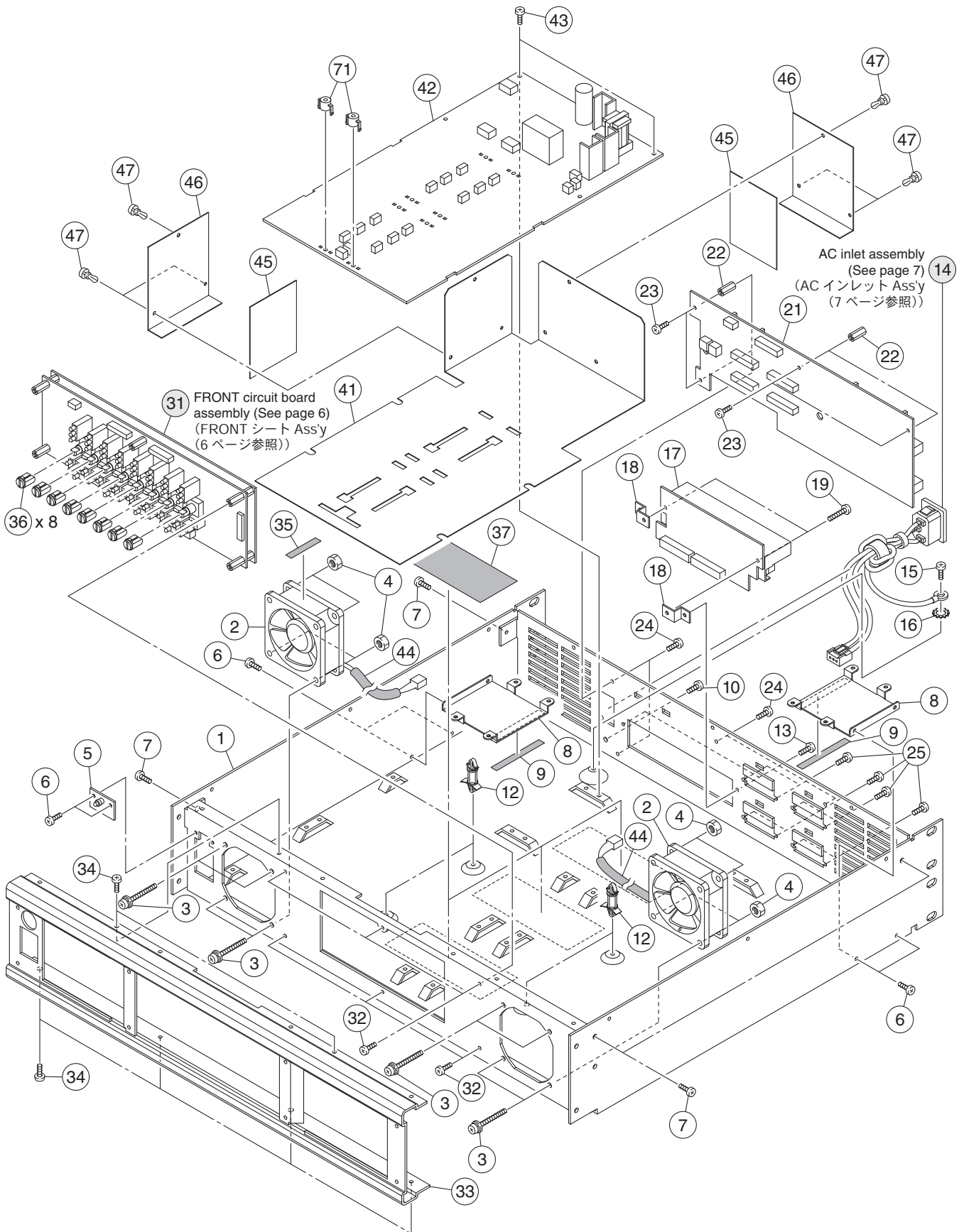
DECO panel assembly (See page 7)
 (DECO パネル Ass'y (7 ページ参照))

| REF NO. | PART NO. | DESCRIPTION | 部 品 名 | REMARKS | QTY | RANK |
|---------|----------|---------------------------|--------------------|-------------------|------------------|------|
| * 51 | WR983400 | OVERALL ASSEMBLY | 総組立 | | | |
| * 52 | AA96230 | CIRCUIT BOARD | AMP | 498457 | 8 | |
| * 53 | WR986100 | CIRCUIT BOARD | MOTHER A-D | 498458-1(WR98320) | | |
| * 54 | WT868100 | CONNECTOR ASSEMBLY | MOTHER E-H | 498459 | | |
| * 55 | WT867700 | CONNECTOR ASSEMBLY | PH-PH 2P-380 | 束線 | 500434 | |
| * 56 | WT867800 | CONNECTOR ASSEMBLY | PH-PH 10P-A | 束線 | 494170 | |
| * 57 | WT868200 | CONNECTOR ASSEMBLY | PH-PH 10P-B | 束線 | 494171 | |
| * 58 | WR964700 | CONNECTOR ASSEMBLY | ZH-ZH 1P3 340 | 束線 | 500435 | |
| * 59 | - | FERRITE CORE | PH-PH 2P XM8 | 束線 | 484447 | |
| * 60 | WT891200 | CUSHION | HF70T18x6x10 LF | フェライトコア | 412809 (WR98600) | |
| * 61 | - | BRACKET CLIP | 6x80x1 | クッション | 490290 | |
| * 62 | WS522000 | BIND HEAD TAPPING SCREW-B | SCF-0692-3 | ブラケットクリップ | 429516 | 4 |
| * 63 | AA6324R | CORD BINDER | 3x8 MFZN2BL | Bタイト+BIND | 417371 | 13 |
| * 64 | - | SHIELD COVER | SKB-1M WH | インシュロックタイ | 080558 | 2 |
| * 65 | - | CUSHION | 50x120x2 | クッション | 496303 | |
| * 66 | WS523000 | CUSHION GASKET | 10x60 E02F4T | 不織布ガスケット | 490289 | |
| * 67 | WR982700 | TUBE | 8x160 BLACK UL,CSA | スミチューブ | 490288 | |
| * 68 | WR964800 | CONNECTOR ASSEMBLY | PH-PH 3P XM8 | 束線 | 484448 | |
| * 69 | - | CORD BINDER | SKB-1M WH | インシュロックタイ | 080558 (AA6324) | 2 |
| * 71 | WS495200 | PWB SPACER | | 基板スペーサー | 484745 | 16 |
| * 72 | WS522000 | BIND HEAD TAPPING SCREW-B | 3x8 MFZN2BL | Bタイト+BIND | 417371 | 2 |
| * 73 | WS495600 | INSULATION SHEET F | | 絶縁シート F | 490233 | |
| * 74 | WS495500 | INSULATION SHEET E | | 絶縁シート E | 490232 | |
| * 75 | WR983100 | CIRCUIT BOARD | POWER | POWERシート | 498460 | 4 |
| * 76 | WT892700 | BIND HEAD TAPPING SCREW-B | 3.0x16 NI-BL | Bタイト+BIND | 497092 | 16 |
| * 77 | - | BRACKET CLIP | SCF-0692-3 | ブラケットクリップ | 429516 | |
| * 81 | WT891100 | DECO PANEL ASSEMBLY | | DECOパネルAss'y | 498463 | |
| * 82 | WS494600 | SWITCH ESCUTCHEON | | SWエスカッション | 484746 | |
| * 83 | - | POWER SWITCH ASSEMBLY | | 電源スイッチAss'y | POWER | |
| △ * 83a | WR971800 | POWER SWITCH | RF-1003-BB4 LF | 電源スイッチ | 425797 | |
| * 83b | WT867500 | CONNECTOR ASSEMBLY | VH-STO A3M4A (Y/W) | 束線 | 493992 | |
| * 83c | WT867600 | CONNECTOR ASSEMBLY | VH-STO A3M4B (R/B) | 束線 | 493993 | |
| * 84 | WP927800 | HEXAGONAL TAPPING SCREW-B | 3x8 NI-BL | 六角穴付Bタイトネジ | 411067 | 8 |
| * 85 | - | CORD BINDER | SKB-1M WH | インシュロックタイ | 080558 (AA6324) | |
| * 91 | WS494200 | TOP COVER | | トップカバー | 484730 | |
| * 92 | WS522000 | BIND HEAD TAPPING SCREW-B | 3x8 MFZN2BL | Bタイト+BIND | 417371 | 13 |
| * 93 | WS494400 | L ANGLE | | Lアングル | 484732 | 2 |
| * 94 | WP183100 | BIND HEAD TAPPING SCREW-B | 4x8 NI-BL | Bタイト+BIND | 414197 | 6 |
| * 95 | WT892500 | CUSHION | 80x130x5 | クッション | 490302 | 01 |
| * 100 | WT891400 | NAMEPLATE LABEL | J | 銘板ラベル | 491488 | |
| * 100 | WT891500 | NAMEPLATE LABEL | U | 銘板ラベル | 491489 | |
| * 100 | WT891600 | NAMEPLATE LABEL | EB | 銘板ラベル | 491490 | |
| * 100 | WT891700 | NAMEPLATE LABEL | O | 銘板ラベル | 493070 | |
| * 100 | WU437000 | NAMEPLATE LABEL | K | 銘板ラベル | 506410 | |

* : New Parts

RANK: Japan only

OVERALL ASSEMBLY 2/2 (総組立 2/2)

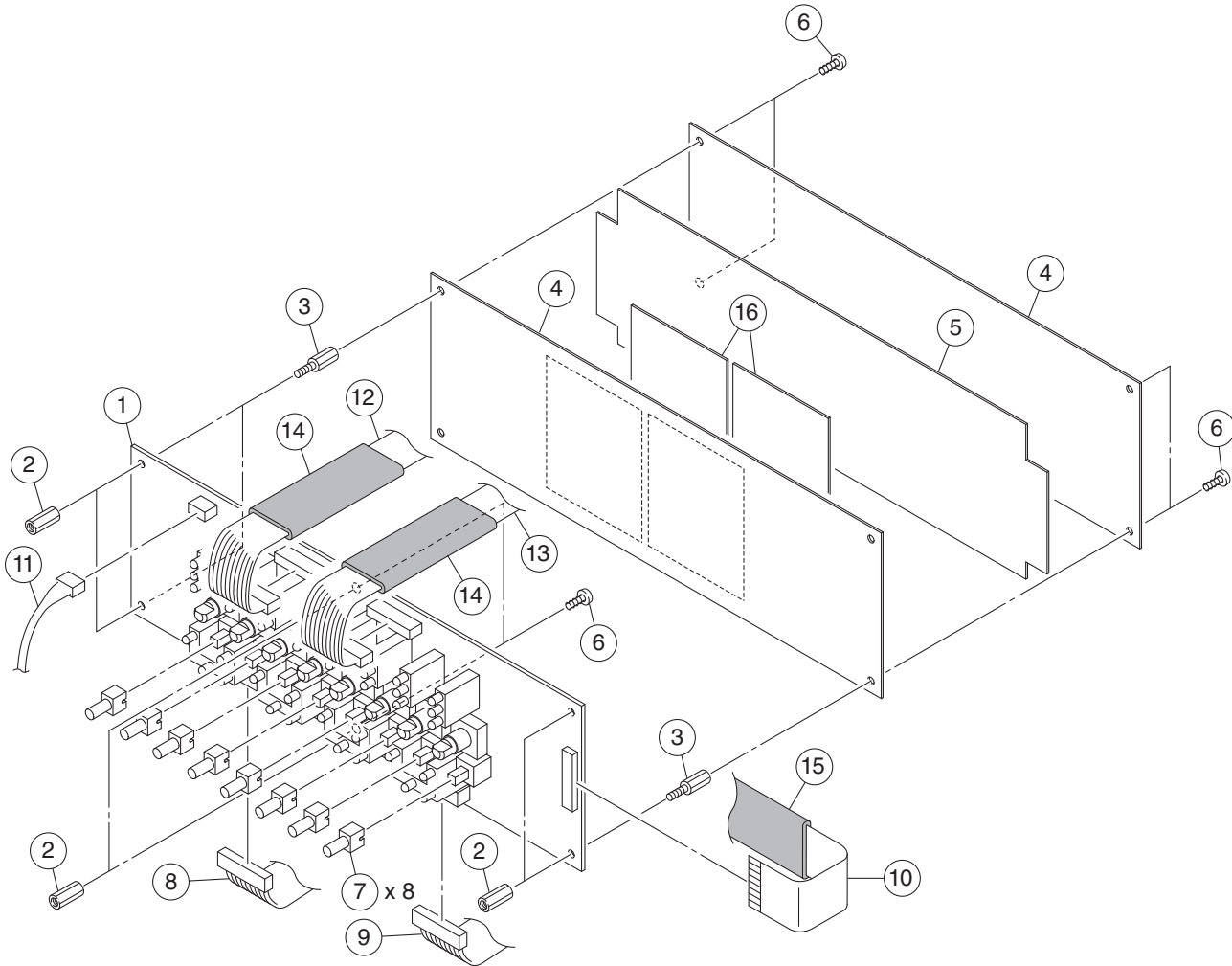


| REF NO. | PART NO. | DESCRIPTION | 部 品 名 | REMARKS | QTY | RANK |
|-------------|-----------|---------------------------------|--------------------|-------------------|-----|------|
| * 1 | WS494100 | OVERALL ASSEMBLY | 総組立 | | | |
| * 2 | WR973700 | CHASSIS | シャーシ印刷 | 484727 | | |
| * 3 | WS522200 | DC FAN | AFB0612M-8T29 | 484455 | 2 | |
| * 4 | WS522200 | PAN HEAD SCREW | M4x35 CR3 BLACK | 489656 | 8 | |
| * 5 | AAAX61890 | HEXAGONAL NUT | M4.0 CR3 | 410782 | 8 | |
| * 6 | AAAX96250 | CIRCUIT BOARD | LED | 498458-3(WR98320) | | |
| * 7 | WS522000 | BIND HEAD TAPPING SCREW-B | 3x8 MFZN2BL | 417371 | 6 | |
| * 8 | WP183100 | BIND HEAD TAPPING SCREW-B | 4x8 NI-BL | 414197 | 4 | 01 |
| * 9 | -- | AMP BRACKET | | 484749 | 2 | |
| * 10 | WS523000 | CUSHION GASKET | 10x60 E02F4T | 490289 | 2 | |
| * 11 | WS522700 | BIND HEAD SCREW | M4x8 CR3 BLACK | 497079 | | |
| * 12 | -- | SPACER | SPM-7 | 495946 (WS52390) | 4 | |
| * 13 | WS522000 | BIND HEAD TAPPING SCREW-B | 3x8 MFZN2BL | 417371 | 2 | |
| * 14 | WT881000 | AC INLET ASSEMBLY | | 498462 | | |
| * 15 | WS522700 | BIND HEAD SCREW | M4x8 CR3 BLACK | 497079 | | |
| * 16 | WP183300 | TOOTHED LOCK WASHER B | M4.0 CR3 | 416947 | | 01 |
| * 17 | AAAX96240 | CIRCUIT BOARD | CONNECTOR | 498458-2(WR98320) | | |
| * 18 | WS494300 | BRACKET TERMINAL | | 484731 | 2 | |
| * 19 | WS522600 | BIND HEAD SCREW | 4x30 MFZN2B3 | 454876 | 2 | |
| * 20 | WR983500 | CIRCUIT BOARD | REAR | 498456 | | |
| * 21 | -- | SPACER | L=12 | 484743 | 4 | |
| * 22 | WS522500 | BIND HEAD SCREW | 3x6 MFZN2B3 | 423329 | 4 | |
| * 23 | WS522500 | BIND HEAD SCREW | 3x6 MFZN2B3 | 423329 | 4 | |
| * 24 | WS522400 | PAN HEAD SCREW | M2.6x6 NI-BL | 490287 | 8 | |
| * 25 | -- | FRONT CIRCUIT BOARD ASSEMBLY | | | | |
| * 26 | WS522500 | BIND HEAD SCREW | 3x6 MFZN2B3 | 423329 | 6 | |
| * 27 | WS494000 | FRONT PANEL | | 484721 | | |
| * 28 | WS522000 | BIND HEAD TAPPING SCREW-B | 3x8 MFZN2BL | 417371 | 6 | |
| * 29 | -- | ADHESIVE TAPE | 5x20 | 038622 | | |
| * 30 | WS496100 | VOLUME KNOB | | 490831 | 8 | |
| * 31 | WS523100 | CUSHION | 50x130x1 | 495527 | 3 | |
| * 32 | -- | INSULATION SHEET A | | 495252 (WT89180) | | |
| * 33 | WR981700 | CIRCUIT BOARD | INPUT POWER | 498461 | | |
| * 34 | WS522000 | BIND HEAD TAPPING SCREW-B | 3x8 MFZN2BL | 417371 | 2 | |
| * 35 | WR982700 | TUBE | 8x160 BLACK UL,CSA | 490288 | 2 | |
| * 36 | -- | SHIELD PLATE | 50x67x0.1x2 | 497613 | 2 | |
| * 37 | -- | INSULATION SHEET G | | 497558 (WT89200) | 2 | |
| * 38 | AAAX62000 | RIVET | P2032B | 413289 | 6 | |
| * 39 | WS495200 | PWB SPACER | | 484745 | 16 | |
| ACCESSORIES | | | | | | |
| * 40 | WG261700 | POWER CABLE | J | 414427 | | 08 |
| * 41 | WR981800 | AC CORD | UC | 484443 | | |
| * 42 | WH221600 | AC CORD | BS | 444740 | | 12 |
| * 43 | WR981900 | AC CORD | E | 490311 | | |
| * 44 | AAAX6956R | AC CORD | CNH | 414426 | | 12 |
| * 45 | WT892400 | HEXAGONAL WRENCH | 16x50 2.0mm | 483055 | | |
| * 46 | AAAX61840 | SECURITY COVER ATTACHMENT SCREW | 3.0x8 NI-BL | 411066 | 2 | 01 |
| * 47 | WR963700 | 3-PIN EUROBLOCK CONNECTOR | MC100-50803 | 484482 | 8 | |
| * 48 | WS495800 | SECURITY COVER | | 484747 | | |

* : New Parts

RANK: Japan only

FRONT CIRCUIT BOARD ASSEMBLY (FRONT シート Ass'y)

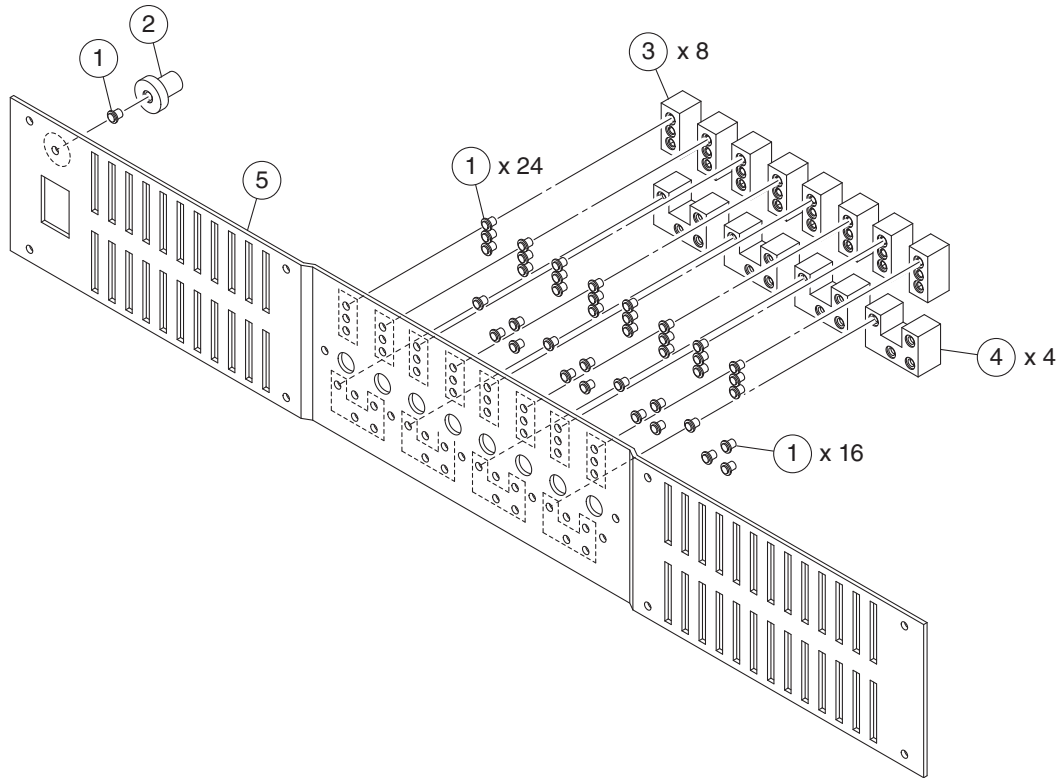


| REF NO. | PART NO. | DESCRIPTION | 部 品 名 | REMARKS | QTY | RANK |
|---------|----------|------------------------------|-----------------|------------------|--------|------|
| | -- | FRONT CIRCUIT BOARD ASSEMBLY | FRONTシートAss'y | | | |
| * 1 | WR983600 | CIRCUIT BOARD | FRONTシート | | 498455 | |
| 2 | -- | SPACER | スペーサー | | 484743 | 6 |
| * 3 | WS522800 | HEXAGONAL SPACER | スペーサー | | 490237 | 4 |
| 4 | -- | INSULATION SHEET E | 絶縁シートC | 491741 (WT89190) | | 2 |
| 5 | -- | SHIELD PLATE | シールド板 | | 491743 | |
| * 6 | WS522500 | BIND HEAD SCREW | 小ネジ+BIND | | 423329 | 6 |
| * 7 | WS494700 | PUSH KNOB | プッシュノブ | MUTE CH (A-H) | 484737 | 8 |
| * 8 | WR964500 | CONNECTOR ASSEMBLY | PH-PH 12P-A | 束線 | 484445 | |
| * 9 | WR964600 | CONNECTOR ASSEMBLY | PH-PH 12P-B | 束線 | 484446 | |
| * 10 | WR982200 | FFC CABLE | XM8 LF | FFCケーブル | 484454 | |
| * 11 | WR965300 | CONNECTOR ASSEMBLY | ZH-ZH 2P3 XM8 | 束線 | 484453 | |
| * 12 | WR965200 | CONNECTOR ASSEMBLY | ZH-ZH 12P-A XM8 | 束線 | 484452 | |
| * 13 | WR965700 | CONNECTOR ASSEMBLY | ZH-ZH 12P-B XM8 | 束線 | 490156 | |
| * 14 | WT891300 | CUSHION | 40x110x1 | クッション | 490291 | 2 |
| 15 | -- | CUSHION | 50x130x1 | クッション | 495527 | |
| 16 | -- | SHIELD PLATE | 50x67x0.1x2 | シールドプレート | 497613 | 2 |

* : New Parts

RANK: Japan only

■ DECO PANEL ASSEMBLY (DECO パネル Ass'y)

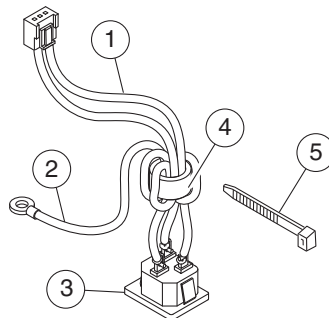


| REF NO. | PART NO. | DESCRIPTION | 部 品 名 | REMARKS | QTY | RANK |
|---------|-----------------|---------------------|---------------|---------|--------|------|
| * | WT891100 | DECO PANEL ASSEMBLY | DECOパネル Ass'y | | 498463 | |
| 1 | -- | LENS | レンズ | | 484738 | 41 |
| 2 | -- | LENS COVER | レンズカバー | | 489127 | |
| 3 | -- | LENS MASK A | レンズマスク A | | 484739 | 8 |
| 4 | -- | LENS MASK B | レンズマスク B | | 484740 | 4 |
| 5 | -- | DECO PANEL PRINT | DECOパネル | | 484724 | |

* : New Parts

RANK: Japan only

■ AC INLET ASSEMBLY (AC インレット Ass'y)



| REF NO. | PART NO. | DESCRIPTION | 部 品 名 | REMARKS | QTY | RANK |
|---------|-----------------|--------------------|---------------|---------------------|------------------|------|
| * | WT881000 | AC INLET ASSEMBLY | ACインレット Ass'y | | 498462 | |
| 1 | -- | CONNECTOR ASSEMBLY | 束線 | VH2P3-A XM8 (BE/BR) | 484444 (WR96440) | |
| 2 | -- | CORD ASSEMBLY | 束線 | XM8 (GN/YL) | 484451 (WR96510) | |
| 3 | -- | AC INLET | ACインレット | SS-120-2.0 | 446341 (WJ27980) | 4 |
| 4 | -- | FERRITE CORE | フェライトコア | HF70T18x6x10 LF | 412809 (WR98600) | |
| 5 | -- | CORD BINDER | インシュロックタイ | SKB-1M WH | 080558 (AAX6324) | |

* : New Parts

RANK: Japan only

■ ELECTRICAL PARTS (電気部品)

| REF. NO. | PART NO. | DESCRIPTION | 部 品 名 | REMARKS | QTY | RANK |
|----------|---------------|--------------------------|---------------------|-------------------|-----|------|
| | | ELECTRICAL PARTS | 電 気 部 品 | | | |
| * | WR983400 | CIRCUIT BOARD | AMP | 498457 | 8 | |
| * | AAX96240 | CIRCUIT BOARD | CONNECTOR | 498458-2(WR98320) | | |
| * | WR983600 | CIRCUIT BOARD | FRONT | 498455 | | |
| * | WR981700 | CIRCUIT BOARD | INPUT POWER | 498461 | | |
| * | AAX96250 | CIRCUIT BOARD | LED | 498458-3(WR98320) | | |
| * | AAX96230 | CIRCUIT BOARD | MOTHER A-D | 498458-1(WR98320) | | |
| * | WR986100 | CIRCUIT BOARD | MOTHER E-H | 498459 | | |
| * | WR983100 | CIRCUIT BOARD | POWER | 498460 | 4 | |
| * | WR983500 | CIRCUIT BOARD | REAR | 498456 | | |
| | WR983400 | CIRCUIT BOARD | AMP | 498457 | | |
| | -- | HEAT SINK | 放 熱 板 | 484733 | | |
| | -- | INSULATION SHEET D | 絶 縁 シ ー ト D | 490231 (WS49600) | | |
| * | WP928000 | HEXAGONAL NUT | 六 角 ナ ッ ト | 422987 | 2 | |
| | WP182700 | SC PN S-W | M3x12 CR3 | 408158 | 2 | 01 |
| * | WS524000 | PLASTIC RIVET | ネ | 490182 | 2 | |
| | -- | ADHESIVE TAPE | プ ラ ス チ ッ ク リ ベ ッ ト | 038622 | | |
| * | ICP1 WS481000 | OVER CURRENT PROTECTOR | ICP-S1.2 | 488606 | | |
| 1100 | WJ593500 | CONNECTOR BASE POST | 11P 52418-1110 LF | 444628 | | 05 |
| 1101 | WJ593500 | CONNECTOR BASE POST | 11P 52418-1110 LF | 444628 | | 05 |
| 2100 | WP064600 | CERAMIC CAPACITOR (CHIP) | 0.1uF 100V | 469854 | | 02 |
| 2101 | WR969300 | ELECTROLYTIC CAPACITOR | 820uF 63V | 484536 | | |
| 2102 | WP064600 | CERAMIC CAPACITOR (CHIP) | 0.1uF 100V | 469854 | | 02 |
| 2103 | AAX6273R | CERAMIC CAPACITOR (CHIP) | 0.01uF 50V K | 368353 | | |
| 2104 | WP067900 | ELECTROLYTIC CAP. | 22uF 100V | 469853 | | 02 |
| 2105 | WP064600 | CERAMIC CAPACITOR (CHIP) | 0.1uF 100V | 469854 | | 02 |
| 2106 | WU376900 | CERAMIC CAPACITOR (CHIP) | 220pF 250V | 504800 | | 01 |
| 2107 | AAX6302R | CERAMIC CAPACITOR (CHIP) | 1000pF K | 065501 | | |
| 2108 | AAX6350R | ELECTROLYTIC CAP. | 100uF 16V | 066700 | | 01 |
| 2109 | WJ592100 | CERAMIC CAPACITOR (CHIP) | 0.47uF K | 334335 | | 03 |
| 2110 | WJ591300 | CERAMIC CAPACITOR (CHIP) | 330pF J | 420810 | | 01 |
| 2111 | WP064100 | CERAMIC CAPACITOR (CHIP) | 3900pF K | 457806 | | 01 |
| 2112 | WJ592300 | CERAMIC CAPACITOR (CHIP) | 0.1uF Z | 431122 | | 01 |
| 2113 | WJ588100 | MYLAR CAPACITOR | 1.25uF 50V J | 056221 | | 05 |
| 2114 | WP064600 | CERAMIC CAPACITOR (CHIP) | 0.1uF 100V | 469854 | | 02 |
| 2115 | AAX6302R | CERAMIC CAPACITOR (CHIP) | 1000pF K | 065501 | | |
| 2116 | WJ591300 | CERAMIC CAPACITOR (CHIP) | 330pF J | 420810 | | 01 |
| 2117 | WJ592100 | CERAMIC CAPACITOR (CHIP) | 0.47uF K | 334335 | | 03 |
| 2118 | WP064100 | CERAMIC CAPACITOR (CHIP) | 3900pF K | 457806 | | 01 |
| 2119 | WU376900 | CERAMIC CAPACITOR (CHIP) | 220pF 250V | 504800 | | 01 |
| 2120 | WJ592100 | CERAMIC CAPACITOR (CHIP) | 0.47uF K | 334335 | | 03 |
| 2121 | WP067900 | ELECTROLYTIC CAP. | 22uF 100V | 469853 | | 02 |
| 2122 | WP064600 | CERAMIC CAPACITOR (CHIP) | 0.1uF 100V | 469854 | | 02 |
| 2123 | AAX6273R | CERAMIC CAPACITOR (CHIP) | 0.01uF 50V K | 368353 | | |
| 2124 | WR969300 | ELECTROLYTIC CAPACITOR | 820uF 63V | 484536 | | |
| 2125 | WP064600 | CERAMIC CAPACITOR (CHIP) | 0.1uF 100V | 469854 | | 02 |
| 2126 | WP064600 | CERAMIC CAPACITOR (CHIP) | 0.1uF 100V | 469854 | | 02 |
| 2130 | AAX6273R | CERAMIC CAPACITOR (CHIP) | 0.01uF 50V K | 368353 | | |
| 2131 | WP064600 | CERAMIC CAPACITOR (CHIP) | 0.1uF 100V | 469854 | | 02 |
| 2132 | AAX6273R | CERAMIC CAPACITOR (CHIP) | 0.01uF 50V K | 368353 | | |
| 2133 | WR959500 | CERAMIC CAPACITOR (CHIP) | 33pF 50V J | 368361 | | |
| 2134 | WJ592200 | CERAMIC CAPACITOR (CHIP) | 0.1uF 25V K | 374404 | | 01 |
| 2135 | WJ592200 | CERAMIC CAPACITOR (CHIP) | 0.1uF 25V K | 374404 | | 01 |
| 3100 | AAX6315R | CARBON RESISTOR (CHIP) | 10 J | 067492 | | 01 |
| 3101 | WN825200 | CARBON RESISTOR (CHIP) | 0.043 1W | 469855 | | 03 |
| 3102 | AAX6290R | CARBON RESISTOR (CHIP) | 470 J | 067544 | | |
| 3103 | AAX6312R | CARBON RESISTOR (CHIP) | 1M J | 067500 | | |
| 3104 | AAX6280R | CARBON RESISTOR (CHIP) | 47K J | 067546 | | 01 |
| 3105 | WP920300 | CARBON RESISTOR (CHIP) | 33K J | 067641 | | |
| 3106 | AAX6311R | CARBON RESISTOR (CHIP) | 3.3K J | 067531 | | |
| 3107 | AAX6292R | CARBON RESISTOR (CHIP) | 100K J | 067499 | | |
| 3108 | WP440100 | CARBON RESISTOR (CHIP) | 22 1W | 471638 | | 02 |
| 3109 | AAX6406R | CARBON RESISTOR (CHIP) | 27K J | 067527 | | |
| 3110 | WR951400 | CARBON RESISTOR (CHIP) | 56 1/10W J | 067550 | | |
| 3111 | WJ599700 | CARBON RESISTOR (CHIP) | 390 J | 067538 | | 01 |
| 3112 | AAX6407R | CARBON RESISTOR (CHIP) | 12K J | 067504 | | |
| 3113 | WT870100 | CARBON RESISTOR (CHIP) | 3.9K 1/16W F | 423389 | | |
| 3114 | AAX6290R | CARBON RESISTOR (CHIP) | 470 J | 067544 | | |
| 3115 | AAX6281R | CARBON RESISTOR (CHIP) | 1K J | 067495 | | 01 |

*: New Parts

RANK: Japan only

AMP

| REF NO. | PART NO. | DESCRIPTION | 部 品 名 | REMARKS | QTY | RANK |
|---------|----------|------------------------|----------------------|-----------|--------|------|
| * 3116 | WR958800 | CARBON RESISTOR (CHIP) | 1.8K 1/10W F | チ ッ プ 抵 抗 | 423390 | |
| 3117 | AAx6281R | CARBON RESISTOR (CHIP) | 1K J | チ ッ プ 抵 抗 | 067495 | 01 |
| 3118 | AAx6407R | CARBON RESISTOR (CHIP) | 12K J | チ ッ プ 抵 抗 | 067504 | |
| * 3119 | WT869900 | CARBON RESISTOR (CHIP) | 6.8K 1/16W F | チ ッ プ 抵 抗 | 085280 | |
| 3120 | AAx6281R | CARBON RESISTOR (CHIP) | 1K J | チ ッ プ 抵 抗 | 067495 | 01 |
| 3121 | WJ611600 | POSITIVE THERMISTOR | TFPT0805L3901KM T | ボ ジ ス タ | 432431 | 07 |
| * 3122 | WR958800 | CARBON RESISTOR (CHIP) | 1.8K 1/10W F | チ ッ プ 抵 抗 | 423390 | |
| 3123 | AAx6281R | CARBON RESISTOR (CHIP) | 1K J | チ ッ プ 抵 抗 | 067495 | 01 |
| 3124 | WP440100 | CARBON RESISTOR (CHIP) | 22 1W | チ ッ プ 抵 抗 | 471638 | 02 |
| * 3125 | WR951400 | CARBON RESISTOR (CHIP) | 56 1/10W J | チ ッ プ 抵 抗 | 067550 | |
| 3126 | WJ599700 | CARBON RESISTOR (CHIP) | 390 J | チ ッ プ 抵 抗 | 067538 | 01 |
| 3127 | AAx6290R | CARBON RESISTOR (CHIP) | 470 J | チ ッ プ 抵 抗 | 067544 | |
| 3128 | AAx6311R | CARBON RESISTOR (CHIP) | 3.3K J | チ ッ プ 抵 抗 | 067531 | |
| 3129 | AAx6281R | CARBON RESISTOR (CHIP) | 1K J | チ ッ プ 抵 抗 | 067495 | 01 |
| 3130 | AAx6408R | CARBON RESISTOR (CHIP) | 680 J | チ ッ プ 抵 抗 | 067557 | 01 |
| 3131 | AAx6317R | CARBON RESISTOR (CHIP) | 560 J | チ ッ プ 抵 抗 | 067551 | |
| 3132 | AAx6408R | CARBON RESISTOR (CHIP) | 680 J | チ ッ プ 抵 抗 | 067557 | 01 |
| 3133 | AAx6312R | CARBON RESISTOR (CHIP) | 1M J | チ ッ プ 抵 抗 | 067500 | |
| 3134 | WN825200 | CARBON RESISTOR (CHIP) | 0.043 1W | チ ッ プ 抵 抗 | 469855 | 03 |
| 3135 | AAx6315R | CARBON RESISTOR (CHIP) | 10 J | チ ッ プ 抵 抗 | 067492 | 01 |
| 3136 | WJ606900 | CARBON RESISTOR (CHIP) | 15K J | チ ッ プ 抵 抗 | 067709 | 01 |
| 3137 | WJ613400 | TRIMMER POTENTIOMETER | 100 KVSF639TC101 | 半 固 定 抵 抗 | 459054 | 03 |
| 3138 | WJ599500 | CARBON RESISTOR (CHIP) | 100 J | チ ッ プ 抵 抗 | 067493 | 01 |
| 3139 | WJ599500 | CARBON RESISTOR (CHIP) | 100 J | チ ッ プ 抵 抗 | 067493 | 01 |
| 3140 | AAx6379R | CARBON RESISTOR (CHIP) | 22K J | チ ッ プ 抵 抗 | 067520 | |
| 3141 | AAx6379R | CARBON RESISTOR (CHIP) | 22K J | チ ッ プ 抵 抗 | 067520 | |
| 3142 | AAx6288R | CARBON RESISTOR (CHIP) | 10K J | チ ッ プ 抵 抗 | 067497 | 03 |
| 3143 | AAx6288R | CARBON RESISTOR (CHIP) | 10K J | チ ッ プ 抵 抗 | 067497 | 03 |
| 3144 | AAx6292R | CARBON RESISTOR (CHIP) | 100K J | チ ッ プ 抵 抗 | 067499 | |
| * 3145 | WR966800 | THERMISTOR | TPM1S471P065R | サ ミ ス タ | 484458 | |
| 3146 | AAx6315R | CARBON RESISTOR (CHIP) | 10 J | チ ッ プ 抵 抗 | 067492 | 01 |
| * 3147 | WR967000 | THERMISTOR | TPM1S471P095R | サ ミ ス タ | 484461 | |
| 3148 | AAx6292R | CARBON RESISTOR (CHIP) | 100K J | チ ッ プ 抵 抗 | 067499 | |
| * 3149 | WT870200 | CARBON RESISTOR (CHIP) | 4.3K 1/16W F | チ ッ プ 抵 抗 | 500382 | |
| * 3150 | WR951400 | CARBON RESISTOR (CHIP) | 56 1/10W J | チ ッ プ 抵 抗 | 067550 | |
| * 3151 | WR951400 | CARBON RESISTOR (CHIP) | 56 1/10W J | チ ッ プ 抵 抗 | 067550 | |
| 3152 | AAx6406R | CARBON RESISTOR (CHIP) | 27K J | チ ッ プ 抵 抗 | 067527 | |
| 5100 | WJ594100 | COIL | BLM41PG750SN1L T | コ イ ル | 432423 | 03 |
| * 5101 | WU597300 | COIL | FT6033A LF | コ イ ル | 504929 | |
| 5102 | WJ594000 | COIL | BLM21PG221SN1D T | コ イ ル | 432422 | 01 |
| 5103 | WJ594100 | COIL | BLM41PG750SN1L T | コ イ ル | 432423 | 03 |
| 6100 | WP066700 | DIODE | RF051VA1STR T | ダ イ オード | 469848 | 03 |
| 6101 | WP066700 | DIODE | RF051VA1STR T | ダ イ オード | 469848 | 03 |
| 6102 | WP067100 | DIODE | RB501V-40TE-17 T | ダ イ オード | 469850 | 02 |
| 6103 | WN946400 | ZENER DIODE | UDZS12B TE-17 | ツェナーダイオード | 069032 | 01 |
| 6104 | WP066800 | DIODE | RF051VA1STR T | ダ イ オード | 469849 | 03 |
| 6105 | WJ595300 | ZENER DIODE | PDZ-3.3B T LF | ツェナーダイオード | 432428 | 02 |
| 6106 | WP066800 | DIODE | RF051VA1STR T | ダ イ オード | 469849 | 03 |
| 6107 | WP067100 | DIODE | RB501V-40TE-17 T | ダ イ オード | 469850 | 02 |
| 6108 | WP066700 | DIODE | RF051VA1STR T | ダ イ オード | 469848 | 03 |
| 6109 | WP067100 | DIODE | RB501V-40TE-17 T | ダ イ オード | 469850 | 02 |
| 6110 | WP067100 | DIODE | RB501V-40TE-17 T | ダ イ オード | 469850 | 02 |
| 7100 | WP065600 | TRANSISTOR | 2SA1579 T106 T | トランジスタ | 469845 | 02 |
| 7101 | WP440300 | TRANSISTOR | 2SA1721-O(TE85L F) T | トランジスタ | 471639 | 04 |
| 7102 | WP065600 | TRANSISTOR | 2SA1579 T106 T | トランジスタ | 469845 | 02 |
| 7103 | WP065400 | FET | 2SK3603-01MR | F E T | 469843 | 08 |
| * 7104 | WR970600 | TRANSISTOR | 2SA1036K | トランジスタ | 084677 | |
| 7105 | WP441600 | TRANSISTOR | 2SB1694 T106 T | トランジスタ | 449267 | 02 |
| 7107 | WP065600 | TRANSISTOR | 2SA1579 T106 T | トランジスタ | 469845 | 02 |
| 7108 | WP065600 | TRANSISTOR | 2SA1579 T106 T | トランジスタ | 469845 | 02 |
| 7109 | WP065400 | FET | 2SK3603-01MR | F E T | 469843 | 08 |
| * 7110 | WR970600 | TRANSISTOR | 2SA1036K | トランジスタ | 084677 | |
| 7112 | WP441600 | TRANSISTOR | 2SB1694 T106 T | トランジスタ | 449267 | 02 |
| 7113 | WN946100 | TRANSISTOR | 2SC4081 T106 RS | トランジスタ | 068880 | 01 |
| 7114 | WN946100 | TRANSISTOR | 2SC4081 T106 RS | トランジスタ | 068880 | 01 |
| 7115 | WP066500 | TRANSISTOR | 2SC4102 T106 T | トランジスタ | 469847 | 02 |
| 7116 | WN946100 | TRANSISTOR | 2SC4081 T106 RS | トランジスタ | 068880 | 01 |
| 7117 | WN946100 | TRANSISTOR | 2SC4081 T106 RS | トランジスタ | 068880 | 01 |
| 7119 | WN939100 | TRANSISTOR | 2SC3906K RSE T146 | トランジスタ | 068869 | 02 |
| 7120 | WN939100 | TRANSISTOR | 2SC3906K RSE T146 | トランジスタ | 068869 | 02 |

* : New Parts

RANK: Japan only

AMP and CONNECTOR and FRONT

| REF NO. | PART NO. | DESCRIPTION | | 部 品 名 | REMARKS | QTY | RANK |
|---------|----------|--------------------------|---------------------|-------------------------|-------------------|--------|------|
| 7121 | WN946100 | TRANSISTOR | 2SC4081 T106 RS | ト ラ ン ジ ス タ | | 068880 | 01 |
| 7122 | WN946100 | TRANSISTOR | 2SC4081 T106 RS | ト ラ ン ジ ス タ | | 068880 | 01 |
| C001 | AAX96240 | CIRCUIT BOARD | CONNECTOR | C O N N E C T O R シ ー ト | 498458-2(WR98320) | | |
| | AAX6302R | CERAMIC CAPACITOR (CHIP) | 1000pF K | チ ッ プ セ ラ コ ン | 065501 | | |
| * -016 | AAX6302R | CERAMIC CAPACITOR (CHIP) | 1000pF K | チ ッ プ セ ラ コ ン | 065501 | | |
| * CN14 | WR962700 | CONNECTOR BASE POST | B 8P-VH | コ ネ ク タ ー ベ ー ス ポ ス ト | 338865 | | |
| * CN15 | WR962700 | CONNECTOR BASE POST | B 8P-VH | コ ネ ク タ ー ベ ー ス ポ ス ト | 338865 | | |
| * CN16 | WR963600 | CONNECTOR | 17P OTB-6222-M T LF | コ ネ ク タ ー | 484442 | | |
| EP001 | -- | LUG TERMINAL | | ラ グ 端 子 | 490035 (WR98260) | | |
| EP002 | -- | LUG TERMINAL | | ラ グ 端 子 | 490035 (WR98260) | | |
| | WR983600 | CIRCUIT BOARD | FRONT | F R O N T シ ー ト | 498455 | | |
| | -- | LED SPACER A | | L E D ス ペ ー サ ー A | 484741 (WS49500) | | |
| | -- | LED SPACER B | | L E D ス ペ ー サ ー B | 484742 (WS49510) | | |
| C100 | AAX6273R | CERAMIC CAPACITOR (CHIP) | 0.01uF 50V K | チ ッ プ セ ラ コ ン | 368353 | | |
| C101 | AAX6297R | ELECTROLYTIC CAP. (CHIP) | 47uF 25V | チ ッ プ ケ ミ コ ン | 412426 | | |
| C102 | AAX6297R | ELECTROLYTIC CAP. (CHIP) | 47uF 25V | チ ッ プ ケ ミ コ ン | 412426 | | |
| C104 | AAX6296R | CERAMIC CAPACITOR (CHIP) | 27pF 50V J | チ ッ プ セ ラ コ ン | 368358 | | |
| * C105 | WR973900 | POLYESTER FILM CAPACITOR | 0.12uF 50V | ポ リ エ ス テ ル コ ン | 064911 | | |
| * C106 | WR973900 | POLYESTER FILM CAPACITOR | 0.12uF 50V | ポ リ エ ス テ ル コ ン | 064911 | | |
| C107 | WJ592200 | CERAMIC CAPACITOR (CHIP) | 0.1uF 25V K | チ ッ プ セ ラ コ ン | 374404 | | 01 |
| C108 | WJ592200 | CERAMIC CAPACITOR (CHIP) | 0.1uF 25V K | チ ッ プ セ ラ コ ン | 374404 | | 01 |
| C109 | AAX6299R | ELECTROLYTIC CAP. (CHIP) | 10uF 35V | チ ッ プ ケ ミ コ ン | 412428 | | 02 |
| * C110 | WR974000 | POLYESTER FILM CAPACITOR | 0.33uF 50V J | ポ リ エ ス テ ル コ ン | 064930 | | |
| * C111 | WR974000 | POLYESTER FILM CAPACITOR | 0.33uF 50V J | ポ リ エ ス テ ル コ ン | 064930 | | |
| C112 | AAX6299R | ELECTROLYTIC CAP. (CHIP) | 10uF 35V | チ ッ プ ケ ミ コ ン | 412428 | | 02 |
| C113 | AAX6297R | ELECTROLYTIC CAP. (CHIP) | 47uF 25V | チ ッ プ ケ ミ コ ン | 412426 | | |
| C114 | WJ592200 | CERAMIC CAPACITOR (CHIP) | 0.1uF 25V K | チ ッ プ セ ラ コ ン | 374404 | | 01 |
| C115 | WJ592200 | CERAMIC CAPACITOR (CHIP) | 0.1uF 25V K | チ ッ プ セ ラ コ ン | 374404 | | 01 |
| C116 | AAX6273R | CERAMIC CAPACITOR (CHIP) | 0.01uF 50V K | チ ッ プ セ ラ コ ン | 368353 | | |
| C117 | WJ592200 | CERAMIC CAPACITOR (CHIP) | 0.1uF 25V K | チ ッ プ セ ラ コ ン | 374404 | | 01 |
| C118 | WJ592200 | CERAMIC CAPACITOR (CHIP) | 0.1uF 25V K | チ ッ プ セ ラ コ ン | 374404 | | 01 |
| C201 | AAX6297R | ELECTROLYTIC CAP. (CHIP) | 47uF 25V | チ ッ プ ケ ミ コ ン | 412426 | | |
| C202 | AAX6297R | ELECTROLYTIC CAP. (CHIP) | 47uF 25V | チ ッ プ ケ ミ コ ン | 412426 | | |
| C204 | AAX6296R | CERAMIC CAPACITOR (CHIP) | 27pF 50V J | チ ッ プ セ ラ コ ン | 368358 | | |
| * C205 | WR973900 | POLYESTER FILM CAPACITOR | 0.12uF 50V | ポ リ エ ス テ ル コ ン | 064911 | | |
| * C206 | WR973900 | POLYESTER FILM CAPACITOR | 0.12uF 50V | ポ リ エ ス テ ル コ ン | 064911 | | |
| C207 | WJ592200 | CERAMIC CAPACITOR (CHIP) | 0.1uF 25V K | チ ッ プ セ ラ コ ン | 374404 | | 01 |
| C208 | WJ592200 | CERAMIC CAPACITOR (CHIP) | 0.1uF 25V K | チ ッ プ セ ラ コ ン | 374404 | | 01 |
| C209 | AAX6299R | ELECTROLYTIC CAP. (CHIP) | 10uF 35V | チ ッ プ ケ ミ コ ン | 412428 | | 02 |
| * C210 | WR974000 | POLYESTER FILM CAPACITOR | 0.33uF 50V J | ポ リ エ ス テ ル コ ン | 064930 | | |
| * C211 | WR974000 | POLYESTER FILM CAPACITOR | 0.33uF 50V J | ポ リ エ ス テ ル コ ン | 064930 | | |
| C212 | AAX6299R | ELECTROLYTIC CAP. (CHIP) | 10uF 35V | チ ッ プ ケ ミ コ ン | 412428 | | 02 |
| C213 | AAX6297R | ELECTROLYTIC CAP. (CHIP) | 47uF 25V | チ ッ プ ケ ミ コ ン | 412426 | | |
| C216 | AAX6273R | CERAMIC CAPACITOR (CHIP) | 0.01uF 50V K | チ ッ プ セ ラ コ ン | 368353 | | |
| C301 | AAX6297R | ELECTROLYTIC CAP. (CHIP) | 47uF 25V | チ ッ プ ケ ミ コ ン | 412426 | | |
| C302 | AAX6297R | ELECTROLYTIC CAP. (CHIP) | 47uF 25V | チ ッ プ ケ ミ コ ン | 412426 | | |
| C304 | AAX6296R | CERAMIC CAPACITOR (CHIP) | 27pF 50V J | チ ッ プ セ ラ コ ン | 368358 | | |
| * C305 | WR973900 | POLYESTER FILM CAPACITOR | 0.12uF 50V | ポ リ エ ス テ ル コ ン | 064911 | | |
| * C306 | WR973900 | POLYESTER FILM CAPACITOR | 0.12uF 50V | ポ リ エ ス テ ル コ ン | 064911 | | |
| C307 | WJ592200 | CERAMIC CAPACITOR (CHIP) | 0.1uF 25V K | チ ッ プ セ ラ コ ン | 374404 | | 01 |
| C308 | WJ592200 | CERAMIC CAPACITOR (CHIP) | 0.1uF 25V K | チ ッ プ セ ラ コ ン | 374404 | | 01 |
| C309 | AAX6299R | ELECTROLYTIC CAP. (CHIP) | 10uF 35V | チ ッ プ ケ ミ コ ン | 412428 | | 02 |
| * C310 | WR974000 | POLYESTER FILM CAPACITOR | 0.33uF 50V J | ポ リ エ ス テ ル コ ン | 064930 | | |
| * C311 | WR974000 | POLYESTER FILM CAPACITOR | 0.33uF 50V J | ポ リ エ ス テ ル コ ン | 064930 | | |
| C312 | AAX6299R | ELECTROLYTIC CAP. (CHIP) | 10uF 35V | チ ッ プ ケ ミ コ ン | 412428 | | 02 |
| C313 | AAX6297R | ELECTROLYTIC CAP. (CHIP) | 47uF 25V | チ ッ プ ケ ミ コ ン | 412426 | | |
| C314 | WJ592200 | CERAMIC CAPACITOR (CHIP) | 0.1uF 25V K | チ ッ プ セ ラ コ ン | 374404 | | 01 |
| C315 | WJ592200 | CERAMIC CAPACITOR (CHIP) | 0.1uF 25V K | チ ッ プ セ ラ コ ン | 374404 | | 01 |
| C316 | AAX6273R | CERAMIC CAPACITOR (CHIP) | 0.01uF 50V K | チ ッ プ セ ラ コ ン | 368353 | | |
| C401 | AAX6297R | ELECTROLYTIC CAP. (CHIP) | 47uF 25V | チ ッ プ ケ ミ コ ン | 412426 | | |
| C404 | AAX6296R | CERAMIC CAPACITOR (CHIP) | 27pF 50V J | チ ッ プ セ ラ コ ン | 368358 | | |
| * C405 | WR973900 | POLYESTER FILM CAPACITOR | 0.12uF 50V | ポ リ エ ス テ ル コ ン | 064911 | | |
| * C406 | WR973900 | POLYESTER FILM CAPACITOR | 0.12uF 50V | ポ リ エ ス テ ル コ ン | 064911 | | |
| C407 | WJ592200 | CERAMIC CAPACITOR (CHIP) | 0.1uF 25V K | チ ッ プ セ ラ コ ン | 374404 | | 01 |
| C408 | WJ592200 | CERAMIC CAPACITOR (CHIP) | 0.1uF 25V K | チ ッ プ セ ラ コ ン | 374404 | | 01 |
| C409 | AAX6299R | ELECTROLYTIC CAP. (CHIP) | 10uF 35V | チ ッ プ ケ ミ コ ン | 412428 | | 02 |
| * C410 | WR974000 | POLYESTER FILM CAPACITOR | 0.33uF 50V J | ポ リ エ ス テ ル コ ン | 064930 | | |
| * C411 | WR974000 | POLYESTER FILM CAPACITOR | 0.33uF 50V J | ポ リ エ ス テ ル コ ン | 064930 | | |

* : New Parts

RANK: Japan only

FRONT

| REF NO. | PART NO. | DESCRIPTION | 部 品 名 | REMARKS | QTY | RANK |
|---------|------------------|--------------------------|----------------------|-----------------------|------------------|--------|
| C412 | AA X6299R | ELECTROLYTIC CAP. (CHIP) | 10uF 35V | チ ッ プ ケ ミ コ ン | 412428 | 02 |
| C413 | AA X6297R | ELECTROLYTIC CAP. (CHIP) | 47uF 25V | チ ッ プ ケ ミ コ ン | 412426 | |
| C416 | AA X6273R | CERAMIC CAPACITOR (CHIP) | 0.01uF 50V K | チ ッ プ セ ラ コ ン | 368353 | |
| C501 | AA X6297R | ELECTROLYTIC CAP. (CHIP) | 47uF 25V | チ ッ プ ケ ミ コ ン | 412426 | |
| C502 | AA X6297R | ELECTROLYTIC CAP. (CHIP) | 47uF 25V | チ ッ プ ケ ミ コ ン | 412426 | |
| C504 | AA X6296R | CERAMIC CAPACITOR (CHIP) | 27pF 50V J | チ ッ プ セ ラ コ ン | 368358 | |
| * C505 | WR 973900 | POLYESTER FILM CAPACITOR | 0.12uF 50V | ポ リ エ ス テ ル コ ン | 064911 | |
| * C506 | WR 973900 | POLYESTER FILM CAPACITOR | 0.12uF 50V | ポ リ エ ス テ ル コ ン | 064911 | |
| C507 | WJ 592200 | CERAMIC CAPACITOR (CHIP) | 0.1uF 25V K | チ ッ プ セ ラ コ ン | 374404 | 01 |
| C508 | WJ 592200 | CERAMIC CAPACITOR (CHIP) | 0.1uF 25V K | チ ッ プ セ ラ コ ン | 374404 | 01 |
| C509 | AA X6299R | ELECTROLYTIC CAP. (CHIP) | 10uF 35V | チ ッ プ ケ ミ コ ン | 412428 | 02 |
| * C510 | WR 974000 | POLYESTER FILM CAPACITOR | 0.33uF 50V J | ポ リ エ ス テ ル コ ン | 064930 | |
| * C511 | WR 974000 | POLYESTER FILM CAPACITOR | 0.33uF 50V J | ポ リ エ ス テ ル コ ン | 064930 | |
| C512 | AA X6299R | ELECTROLYTIC CAP. (CHIP) | 10uF 35V | チ ッ プ ケ ミ コ ン | 412428 | 02 |
| C513 | AA X6297R | ELECTROLYTIC CAP. (CHIP) | 47uF 25V | チ ッ プ ケ ミ コ ン | 412426 | |
| C514 | WJ 592200 | CERAMIC CAPACITOR (CHIP) | 0.1uF 25V K | チ ッ プ セ ラ コ ン | 374404 | 01 |
| C515 | WJ 592200 | CERAMIC CAPACITOR (CHIP) | 0.1uF 25V K | チ ッ プ セ ラ コ ン | 374404 | 01 |
| C516 | AA X6273R | CERAMIC CAPACITOR (CHIP) | 0.01uF 50V K | チ ッ プ セ ラ コ ン | 368353 | |
| C517 | WJ 592200 | CERAMIC CAPACITOR (CHIP) | 0.1uF 25V K | チ ッ プ セ ラ コ ン | 374404 | 01 |
| C518 | WJ 592200 | CERAMIC CAPACITOR (CHIP) | 0.1uF 25V K | チ ッ プ セ ラ コ ン | 374404 | 01 |
| C601 | AA X6297R | ELECTROLYTIC CAP. (CHIP) | 47uF 25V | チ ッ プ ケ ミ コ ン | 412426 | |
| C602 | AA X6297R | ELECTROLYTIC CAP. (CHIP) | 47uF 25V | チ ッ プ ケ ミ コ ン | 412426 | |
| C604 | AA X6296R | CERAMIC CAPACITOR (CHIP) | 27pF 50V J | チ ッ プ セ ラ コ ン | 368358 | |
| * C605 | WR 973900 | POLYESTER FILM CAPACITOR | 0.12uF 50V | ポ リ エ ス テ ル コ ン | 064911 | |
| * C606 | WR 973900 | POLYESTER FILM CAPACITOR | 0.12uF 50V | ポ リ エ ス テ ル コ ン | 064911 | |
| C607 | WJ 592200 | CERAMIC CAPACITOR (CHIP) | 0.1uF 25V K | チ ッ プ セ ラ コ ン | 374404 | 01 |
| C608 | WJ 592200 | CERAMIC CAPACITOR (CHIP) | 0.1uF 25V K | チ ッ プ セ ラ コ ン | 374404 | 01 |
| * C610 | WR 974000 | POLYESTER FILM CAPACITOR | 0.33uF 50V J | ポ リ エ ス テ ル コ ン | 064930 | |
| * C611 | WR 974000 | POLYESTER FILM CAPACITOR | 0.33uF 50V J | ポ リ エ ス テ ル コ ン | 064930 | |
| C613 | AA X6297R | ELECTROLYTIC CAP. (CHIP) | 47uF 25V | チ ッ プ ケ ミ コ ン | 412426 | |
| C616 | AA X6273R | CERAMIC CAPACITOR (CHIP) | 0.01uF 50V K | チ ッ プ セ ラ コ ン | 368353 | |
| C701 | AA X6297R | ELECTROLYTIC CAP. (CHIP) | 47uF 25V | チ ッ プ ケ ミ コ ン | 412426 | |
| C702 | AA X6297R | ELECTROLYTIC CAP. (CHIP) | 47uF 25V | チ ッ プ ケ ミ コ ン | 412426 | |
| C704 | AA X6296R | CERAMIC CAPACITOR (CHIP) | 27pF 50V J | チ ッ プ セ ラ コ ン | 368358 | |
| * C705 | WR 973900 | POLYESTER FILM CAPACITOR | 0.12uF 50V | ポ リ エ ス テ ル コ ン | 064911 | |
| * C706 | WR 973900 | POLYESTER FILM CAPACITOR | 0.12uF 50V | ポ リ エ ス テ ル コ ン | 064911 | |
| C707 | WJ 592200 | CERAMIC CAPACITOR (CHIP) | 0.1uF 25V K | チ ッ プ セ ラ コ ン | 374404 | 01 |
| C708 | WJ 592200 | CERAMIC CAPACITOR (CHIP) | 0.1uF 25V K | チ ッ プ セ ラ コ ン | 374404 | 01 |
| C709 | AA X6299R | ELECTROLYTIC CAP. (CHIP) | 10uF 35V | チ ッ プ ケ ミ コ ン | 412428 | 02 |
| * C710 | WR 974000 | POLYESTER FILM CAPACITOR | 0.33uF 50V J | ポ リ エ ス テ ル コ ン | 064930 | |
| * C711 | WR 974000 | POLYESTER FILM CAPACITOR | 0.33uF 50V J | ポ リ エ ス テ ル コ ン | 064930 | |
| C714 | WJ 592200 | CERAMIC CAPACITOR (CHIP) | 0.1uF 25V K | チ ッ プ セ ラ コ ン | 374404 | 01 |
| C715 | WJ 592200 | CERAMIC CAPACITOR (CHIP) | 0.1uF 25V K | チ ッ プ セ ラ コ ン | 374404 | 01 |
| C716 | AA X6273R | CERAMIC CAPACITOR (CHIP) | 0.01uF 50V K | チ ッ プ セ ラ コ ン | 368353 | |
| C801 | AA X6297R | ELECTROLYTIC CAP. (CHIP) | 47uF 25V | チ ッ プ ケ ミ コ ン | 412426 | |
| C802 | AA X6297R | ELECTROLYTIC CAP. (CHIP) | 47uF 25V | チ ッ プ ケ ミ コ ン | 412426 | |
| C804 | AA X6296R | CERAMIC CAPACITOR (CHIP) | 27pF 50V J | チ ッ プ セ ラ コ ン | 368358 | |
| * C805 | WR 973900 | POLYESTER FILM CAPACITOR | 0.12uF 50V | ポ リ エ ス テ ル コ ン | 064911 | |
| * C806 | WR 973900 | POLYESTER FILM CAPACITOR | 0.12uF 50V | ポ リ エ ス テ ル コ ン | 064911 | |
| C807 | WJ 592200 | CERAMIC CAPACITOR (CHIP) | 0.1uF 25V K | チ ッ プ セ ラ コ ン | 374404 | 01 |
| C808 | WJ 592200 | CERAMIC CAPACITOR (CHIP) | 0.1uF 25V K | チ ッ プ セ ラ コ ン | 374404 | 01 |
| C809 | AA X6299R | ELECTROLYTIC CAP. (CHIP) | 10uF 35V | チ ッ プ ケ ミ コ ン | 412428 | 02 |
| * C810 | WR 974000 | POLYESTER FILM CAPACITOR | 0.33uF 50V J | ポ リ エ ス テ ル コ ン | 064930 | |
| * C811 | WR 974000 | POLYESTER FILM CAPACITOR | 0.33uF 50V J | ポ リ エ ス テ ル コ ン | 064930 | |
| C812 | AA X6299R | ELECTROLYTIC CAP. (CHIP) | 10uF 35V | チ ッ プ ケ ミ コ ン | 412428 | 02 |
| C813 | AA X6297R | ELECTROLYTIC CAP. (CHIP) | 47uF 25V | チ ッ プ ケ ミ コ ン | 412426 | |
| C816 | AA X6273R | CERAMIC CAPACITOR (CHIP) | 0.01uF 50V K | チ ッ プ セ ラ コ ン | 368353 | |
| CN101 | -- | CONNECTOR BASE POST | 40P 54132-4097 | コ ネ ク タ ー ベ ー ス ポ ス ト | 456881 (WR96350) | |
| CN102 | -- | CONNECTOR BASE POST | 12P B12B-ZR-SM4-TF | コ ネ ク タ ー ベ ー ス ポ ス ト | 484441 (WR96230) | |
| CN103 | -- | CONNECTOR BASE POST | 12P B12B-ZR-SM4-R-TF | コ ネ ク タ ー ベ ー ス ポ ス ト | 484949 (WR96250) | |
| CN104 | -- | CONNECTOR BASE POST | 12P S12B-PH-SM4-TB | コ ネ ク タ ー ベ ー ス ポ ス ト | 081751 (WR96150) | |
| CN105 | -- | CONNECTOR BASE POST | 12P S12B-PH-SM4-R-TB | コ ネ ク タ ー ベ ー ス ポ ス ト | 485379 (WR96210) | |
| CN106 | -- | CONNECTOR BASE POST | 3P B3B-ZR-SM4-TF | コ ネ ク タ ー ベ ー ス ポ ス ト | 044944 (WR96220) | |
| D101 | AA X6401R | LED RED | SEL6210R D L F | L E D 赤 | CH A MUTE | 411467 |
| * D102 | WT 886100 | LED GREEN | SEL6410E D L F | L E D 緑 | CH A SIGNAL | 412429 |
| D103 | AA X6401R | LED RED | SEL6210R D L F | L E D 赤 | CH A PROTECT | 411467 |
| D104 | AA X6401R | LED RED | SEL6210R D L F | L E D 赤 | CH A CLIP | 411467 |
| D105 | WJ 598200 | LED ORANGE | SEL6910A D L F | L E D 橙 | CH A/B BRIDGE | 446160 |
| D106 | WJ 598200 | LED ORANGE | SEL6910A D L F | L E D 橙 | CH A/B PARA | 446160 |
| D201 | AA X6401R | LED RED | SEL6210R D L F | L E D 赤 | CH B MUTE | 411467 |

* : New Parts

RANK: Japan only

FRONT

| REF NO. | PART NO. | DESCRIPTION | 部 品 名 | REMARKS | QTY | RANK | |
|---------|----------|------------------------|----------------|-------------|---------------|--------|----|
| * D202 | WT886100 | LED GREEN | SEL6410E D LF | L E D 緑 | CH B SIGNAL | 412429 | |
| D203 | AAX6401R | LED RED | SEL6210R D LF | L E D 赤 | CH B PROTECT | 411467 | |
| D204 | AAX6401R | LED RED | SEL6210R D LF | L E D 赤 | CH B CLIP | 411467 | |
| D301 | AAX6401R | LED RED | SEL6210R D LF | L E D 赤 | CH C MUTE | 411467 | |
| * D302 | WT886100 | LED GREEN | SEL6410E D LF | L E D 緑 | CH C SIGNAL | 412429 | |
| D303 | AAX6401R | LED RED | SEL6210R D LF | L E D 赤 | CH C PROTECT | 411467 | |
| D304 | AAX6401R | LED RED | SEL6210R D LF | L E D 赤 | CH C CLIP | 411467 | |
| D305 | WJ598200 | LED ORANGE | SEL6910A D LF | L E D 橙 | CH C/D BRIDGE | 446160 | 03 |
| D306 | WJ598200 | LED ORANGE | SEL6910A D LF | L E D 橙 | CH C/D PARA | 446160 | 03 |
| D401 | AAX6401R | LED RED | SEL6210R D LF | L E D 赤 | CH D MUTE | 411467 | |
| * D402 | WT886100 | LED GREEN | SEL6410E D LF | L E D 緑 | CH D SIGNAL | 412429 | |
| D403 | AAX6401R | LED RED | SEL6210R D LF | L E D 赤 | CH D PROTECT | 411467 | |
| D404 | AAX6401R | LED RED | SEL6210R D LF | L E D 赤 | CH D CLIP | 411467 | |
| D501 | AAX6401R | LED RED | SEL6210R D LF | L E D 赤 | CH E MUTE | 411467 | |
| * D502 | WT886100 | LED GREEN | SEL6410E D LF | L E D 緑 | CH E SIGNAL | 412429 | |
| D503 | AAX6401R | LED RED | SEL6210R D LF | L E D 赤 | CH E PROTECT | 411467 | |
| D504 | AAX6401R | LED RED | SEL6210R D LF | L E D 赤 | CH E CLIP | 411467 | |
| D505 | WJ598200 | LED ORANGE | SEL6910A D LF | L E D 橙 | CH E/F BRIDGE | 446160 | 03 |
| D506 | WJ598200 | LED ORANGE | SEL6910A D LF | L E D 橙 | CH E/F PARA | 446160 | 03 |
| D601 | AAX6401R | LED RED | SEL6210R D LF | L E D 赤 | CH F MUTE | 411467 | |
| * D602 | WT886100 | LED GREEN | SEL6410E D LF | L E D 緑 | CH F SIGNAL | 412429 | |
| D603 | AAX6401R | LED RED | SEL6210R D LF | L E D 赤 | CH F PROTECT | 411467 | |
| D604 | AAX6401R | LED RED | SEL6210R D LF | L E D 赤 | CH F CLIP | 411467 | |
| D701 | AAX6401R | LED RED | SEL6210R D LF | L E D 赤 | CH G MUTE | 411467 | |
| * D702 | WT886100 | LED GREEN | SEL6410E D LF | L E D 緑 | CH G SIGNAL | 412429 | |
| D703 | AAX6401R | LED RED | SEL6210R D LF | L E D 赤 | CH G PROTECT | 411467 | |
| D704 | AAX6401R | LED RED | SEL6210R D LF | L E D 赤 | CH G CLIP | 411467 | |
| D705 | WJ598200 | LED ORANGE | SEL6910A D LF | L E D 橙 | CH G/H BRIDGE | 446160 | 03 |
| D706 | WJ598200 | LED ORANGE | SEL6910A D LF | L E D 橙 | CH G/H PARA | 446160 | 03 |
| D801 | AAX6401R | LED RED | SEL6210R D LF | L E D 赤 | CH H MUTE | 411467 | |
| * D802 | WT886100 | LED GREEN | SEL6410E D LF | L E D 緑 | CH H SIGNAL | 412429 | |
| D803 | AAX6401R | LED RED | SEL6210R D LF | L E D 赤 | CH H PROTECT | 411467 | |
| D804 | AAX6401R | LED RED | SEL6210R D LF | L E D 赤 | CH H CLIP | 411467 | |
| EP100 | XX698880 | LUG TERMINAL | MET37-0001 | ラ グ 端 子 | | 075878 | 02 |
| IC101 | AAX6275R | IC | NJM2068M-D TE1 | I C | OP AMP | 070170 | 04 |
| IC102 | AAX6275R | IC | NJM2068M-D TE1 | I C | OP AMP | 070170 | 04 |
| * IC103 | YA884A00 | IC | NJU4066BV(TE1) | I C | ANALOG SWITCH | 484456 | |
| IC202 | AAX6275R | IC | NJM2068M-D TE1 | I C | OP AMP | 070170 | 04 |
| * IC203 | YA884A00 | IC | NJU4066BV(TE1) | I C | ANALOG SWITCH | 484456 | |
| IC301 | AAX6275R | IC | NJM2068M-D TE1 | I C | OP AMP | 070170 | 04 |
| IC302 | AAX6275R | IC | NJM2068M-D TE1 | I C | OP AMP | 070170 | 04 |
| * IC303 | YA884A00 | IC | NJU4066BV(TE1) | I C | ANALOG SWITCH | 484456 | |
| IC402 | AAX6275R | IC | NJM2068M-D TE1 | I C | OP AMP | 070170 | 04 |
| * IC403 | YA884A00 | IC | NJU4066BV(TE1) | I C | ANALOG SWITCH | 484456 | |
| IC501 | AAX6275R | IC | NJM2068M-D TE1 | I C | OP AMP | 070170 | 04 |
| IC502 | AAX6275R | IC | NJM2068M-D TE1 | I C | OP AMP | 070170 | 04 |
| * IC503 | YA884A00 | IC | NJU4066BV(TE1) | I C | ANALOG SWITCH | 484456 | |
| IC602 | AAX6275R | IC | NJM2068M-D TE1 | I C | OP AMP | 070170 | 04 |
| * IC603 | YA884A00 | IC | NJU4066BV(TE1) | I C | ANALOG SWITCH | 484456 | |
| IC701 | AAX6275R | IC | NJM2068M-D TE1 | I C | OP AMP | 070170 | 04 |
| IC702 | AAX6275R | IC | NJM2068M-D TE1 | I C | OP AMP | 070170 | 04 |
| * IC703 | YA884A00 | IC | NJU4066BV(TE1) | I C | ANALOG SWITCH | 484456 | |
| IC802 | AAX6275R | IC | NJM2068M-D TE1 | I C | OP AMP | 070170 | 04 |
| * Q101 | WR970400 | TRANSISTOR | 2SC5938A | ト ラ ン ジ ス タ | | 484462 | |
| * Q102 | WR970400 | TRANSISTOR | 2SC5938A | ト ラ ン ジ ス タ | | 484462 | |
| * Q201 | WR970400 | TRANSISTOR | 2SC5938A | ト ラ ン ジ ス タ | | 484462 | |
| * Q202 | WR970400 | TRANSISTOR | 2SC5938A | ト ラ ン ジ ス タ | | 484462 | |
| * Q301 | WR970400 | TRANSISTOR | 2SC5938A | ト ラ ン ジ ス タ | | 484462 | |
| * Q302 | WR970400 | TRANSISTOR | 2SC5938A | ト ラ ン ジ ス タ | | 484462 | |
| * Q401 | WR970400 | TRANSISTOR | 2SC5938A | ト ラ ン ジ ス タ | | 484462 | |
| * Q402 | WR970400 | TRANSISTOR | 2SC5938A | ト ラ ン ジ ス タ | | 484462 | |
| * Q501 | WR970400 | TRANSISTOR | 2SC5938A | ト ラ ン ジ ス タ | | 484462 | |
| * Q502 | WR970400 | TRANSISTOR | 2SC5938A | ト ラ ン ジ ス タ | | 484462 | |
| * Q601 | WR970400 | TRANSISTOR | 2SC5938A | ト ラ ン ジ ス タ | | 484462 | |
| * Q602 | WR970400 | TRANSISTOR | 2SC5938A | ト ラ ン ジ ス タ | | 484462 | |
| * Q701 | WR970400 | TRANSISTOR | 2SC5938A | ト ラ ン ジ ス タ | | 484462 | |
| * Q702 | WR970400 | TRANSISTOR | 2SC5938A | ト ラ ン ジ ス タ | | 484462 | |
| * Q801 | WR970400 | TRANSISTOR | 2SC5938A | ト ラ ン ジ ス タ | | 484462 | |
| * Q802 | WR970400 | TRANSISTOR | 2SC5938A | ト ラ ン ジ ス タ | | 484462 | |
| R101 | AAX6288R | CARBON RESISTOR (CHIP) | 10K J | チ ッ プ 抵 抗 | | 067497 | 03 |

*: New Parts

RANK: Japan only

FRONT

| REF NO. | PART NO. | DESCRIPTION | 部 | 品 | 名 | REMARKS | QTY | RANK |
|---------|----------------------|------------------------|--------------|---|---|---------|--------|------|
| R103 | AA X6310R | CARBON RESISTOR (CHIP) | 1.8K J | チ | ッ | ブ 抵 抗 | 067514 | |
| R104 | AA X6310R | CARBON RESISTOR (CHIP) | 1.8K J | チ | ッ | ブ 抵 抗 | 067514 | |
| R105 | AA X6380R | CARBON RESISTOR (CHIP) | 8.2K J | チ | ッ | ブ 抵 抗 | 067562 | |
| R106 | AA X6288R | CARBON RESISTOR (CHIP) | 10K J | チ | ッ | ブ 抵 抗 | 067497 | 03 |
| * R107 | WR950800 | CARBON RESISTOR (CHIP) | 470K 1/10W J | チ | ッ | ブ 抵 抗 | 067547 | |
| * R108 | WR958400 | CARBON RESISTOR (CHIP) | 9.1K 1/10W J | チ | ッ | ブ 抵 抗 | 490819 | |
| R109 | AA X6315R | CARBON RESISTOR (CHIP) | 10 J | チ | ッ | ブ 抵 抗 | 067492 | 01 |
| R110 | AA X6278R | CARBON RESISTOR (CHIP) | 33K J | チ | ッ | ブ 抵 抗 | 067532 | |
| -112 | AA X6278R | CARBON RESISTOR (CHIP) | 33K J | チ | ッ | ブ 抵 抗 | 067532 | |
| R113 | AA X6280R | CARBON RESISTOR (CHIP) | 47K J | チ | ッ | ブ 抵 抗 | 067546 | 01 |
| R114 | AA X6278R | CARBON RESISTOR (CHIP) | 33K J | チ | ッ | ブ 抵 抗 | 067532 | |
| -116 | AA X6278R | CARBON RESISTOR (CHIP) | 33K J | チ | ッ | ブ 抵 抗 | 067532 | |
| R117 | AA X6280R | CARBON RESISTOR (CHIP) | 47K J | チ | ッ | ブ 抵 抗 | 067546 | 01 |
| -119 | AA X6280R | CARBON RESISTOR (CHIP) | 47K J | チ | ッ | ブ 抵 抗 | 067546 | 01 |
| R120 | AA X6317R | CARBON RESISTOR (CHIP) | 560 J | チ | ッ | ブ 抵 抗 | 067551 | |
| R121 | AA X6310R | CARBON RESISTOR (CHIP) | 1.8K J | チ | ッ | ブ 抵 抗 | 067514 | |
| R123 | AA X6310R | CARBON RESISTOR (CHIP) | 1.8K J | チ | ッ | ブ 抵 抗 | 067514 | |
| R124 | AA X6310R | CARBON RESISTOR (CHIP) | 1.8K J | チ | ッ | ブ 抵 抗 | 067514 | |
| R129 | AA X6288R | CARBON RESISTOR (CHIP) | 10K J | チ | ッ | ブ 抵 抗 | 067497 | 03 |
| R135 | AA X6288R | CARBON RESISTOR (CHIP) | 10K J | チ | ッ | ブ 抵 抗 | 067497 | 03 |
| R138 | AA X6315R | CARBON RESISTOR (CHIP) | 10 J | チ | ッ | ブ 抵 抗 | 067492 | 01 |
| R139 | AA X6292R | CARBON RESISTOR (CHIP) | 100K J | チ | ッ | ブ 抵 抗 | 067499 | |
| R140 | AA X6288R | CARBON RESISTOR (CHIP) | 10K J | チ | ッ | ブ 抵 抗 | 067497 | 03 |
| R141 | AA X6278R | CARBON RESISTOR (CHIP) | 33K J | チ | ッ | ブ 抵 抗 | 067532 | |
| R142 | AA X6406R | CARBON RESISTOR (CHIP) | 27K J | チ | ッ | ブ 抵 抗 | 067527 | |
| R143 | AA X6315R | CARBON RESISTOR (CHIP) | 10 J | チ | ッ | ブ 抵 抗 | 067492 | 01 |
| R144 | AA X6292R | CARBON RESISTOR (CHIP) | 100K J | チ | ッ | ブ 抵 抗 | 067499 | |
| R145 | AA X6288R | CARBON RESISTOR (CHIP) | 10K J | チ | ッ | ブ 抵 抗 | 067497 | 03 |
| R161 | AA X6310R | CARBON RESISTOR (CHIP) | 1.8K J | チ | ッ | ブ 抵 抗 | 067514 | |
| R163 | AA X6310R | CARBON RESISTOR (CHIP) | 1.8K J | チ | ッ | ブ 抵 抗 | 067514 | |
| R164 | AA X6310R | CARBON RESISTOR (CHIP) | 1.8K J | チ | ッ | ブ 抵 抗 | 067514 | |
| R165 | WJ599900 | CARBON RESISTOR (CHIP) | 820 J | チ | ッ | ブ 抵 抗 | 067561 | 01 |
| R166 | AA X6310R | CARBON RESISTOR (CHIP) | 1.8K J | チ | ッ | ブ 抵 抗 | 067514 | |
| -168 | AA X6310R | CARBON RESISTOR (CHIP) | 1.8K J | チ | ッ | ブ 抵 抗 | 067514 | |
| R201 | AA X6288R | CARBON RESISTOR (CHIP) | 10K J | チ | ッ | ブ 抵 抗 | 067497 | 03 |
| R203 | AA X6310R | CARBON RESISTOR (CHIP) | 1.8K J | チ | ッ | ブ 抵 抗 | 067514 | |
| R204 | AA X6310R | CARBON RESISTOR (CHIP) | 1.8K J | チ | ッ | ブ 抵 抗 | 067514 | |
| R205 | AA X6380R | CARBON RESISTOR (CHIP) | 8.2K J | チ | ッ | ブ 抵 抗 | 067562 | |
| R206 | AA X6288R | CARBON RESISTOR (CHIP) | 10K J | チ | ッ | ブ 抵 抗 | 067497 | 03 |
| * R207 | WR950800 | CARBON RESISTOR (CHIP) | 470K 1/10W J | チ | ッ | ブ 抵 抗 | 067547 | |
| * R208 | WR958400 | CARBON RESISTOR (CHIP) | 9.1K 1/10W J | チ | ッ | ブ 抵 抗 | 490819 | |
| R209 | AA X6315R | CARBON RESISTOR (CHIP) | 10 J | チ | ッ | ブ 抵 抗 | 067492 | 01 |
| R210 | AA X6278R | CARBON RESISTOR (CHIP) | 33K J | チ | ッ | ブ 抵 抗 | 067532 | |
| -212 | AA X6278R | CARBON RESISTOR (CHIP) | 33K J | チ | ッ | ブ 抵 抗 | 067532 | |
| R214 | AA X6278R | CARBON RESISTOR (CHIP) | 33K J | チ | ッ | ブ 抵 抗 | 067532 | |
| -216 | AA X6278R | CARBON RESISTOR (CHIP) | 33K J | チ | ッ | ブ 抵 抗 | 067532 | |
| R219 | AA X6280R | CARBON RESISTOR (CHIP) | 47K J | チ | ッ | ブ 抵 抗 | 067546 | 01 |
| R220 | AA X6317R | CARBON RESISTOR (CHIP) | 560 J | チ | ッ | ブ 抵 抗 | 067551 | |
| R221 | AA X6310R | CARBON RESISTOR (CHIP) | 1.8K J | チ | ッ | ブ 抵 抗 | 067514 | |
| R222 | AA X6310R | CARBON RESISTOR (CHIP) | 1.8K J | チ | ッ | ブ 抵 抗 | 067514 | |
| R227 | AA X6288R | CARBON RESISTOR (CHIP) | 10K J | チ | ッ | ブ 抵 抗 | 067497 | 03 |
| R229 | AA X6288R | CARBON RESISTOR (CHIP) | 10K J | チ | ッ | ブ 抵 抗 | 067497 | 03 |
| R231 | AA X6288R | CARBON RESISTOR (CHIP) | 10K J | チ | ッ | ブ 抵 抗 | 067497 | 03 |
| R235 | AA X6288R | CARBON RESISTOR (CHIP) | 10K J | チ | ッ | ブ 抵 抗 | 067497 | 03 |
| R238 | AA X6315R | CARBON RESISTOR (CHIP) | 10 J | チ | ッ | ブ 抵 抗 | 067492 | 01 |
| R239 | AA X6292R | CARBON RESISTOR (CHIP) | 100K J | チ | ッ | ブ 抵 抗 | 067499 | |
| R240 | AA X6288R | CARBON RESISTOR (CHIP) | 10K J | チ | ッ | ブ 抵 抗 | 067497 | 03 |
| R241 | AA X6278R | CARBON RESISTOR (CHIP) | 33K J | チ | ッ | ブ 抵 抗 | 067532 | |
| R242 | AA X6406R | CARBON RESISTOR (CHIP) | 27K J | チ | ッ | ブ 抵 抗 | 067527 | |
| R243 | AA X6315R | CARBON RESISTOR (CHIP) | 10 J | チ | ッ | ブ 抵 抗 | 067492 | 01 |
| R244 | AA X6292R | CARBON RESISTOR (CHIP) | 100K J | チ | ッ | ブ 抵 抗 | 067499 | |
| R245 | AA X6288R | CARBON RESISTOR (CHIP) | 10K J | チ | ッ | ブ 抵 抗 | 067497 | 03 |
| R261 | AA X6310R | CARBON RESISTOR (CHIP) | 1.8K J | チ | ッ | ブ 抵 抗 | 067514 | |
| R301 | AA X6288R | CARBON RESISTOR (CHIP) | 10K J | チ | ッ | ブ 抵 抗 | 067497 | 03 |
| R303 | AA X6310R | CARBON RESISTOR (CHIP) | 1.8K J | チ | ッ | ブ 抵 抗 | 067514 | |
| R304 | AA X6310R | CARBON RESISTOR (CHIP) | 1.8K J | チ | ッ | ブ 抵 抗 | 067514 | |
| R305 | AA X6380R | CARBON RESISTOR (CHIP) | 8.2K J | チ | ッ | ブ 抵 抗 | 067562 | |
| R306 | AA X6288R | CARBON RESISTOR (CHIP) | 10K J | チ | ッ | ブ 抵 抗 | 067497 | 03 |
| * R307 | WR950800 | CARBON RESISTOR (CHIP) | 470K 1/10W J | チ | ッ | ブ 抵 抗 | 067547 | |
| * R308 | WR958400 | CARBON RESISTOR (CHIP) | 9.1K 1/10W J | チ | ッ | ブ 抵 抗 | 490819 | |

* : New Parts RANK: Japan only

FRONT

| REF NO. | PART NO. | DESCRIPTION | 部 | 品 | 名 | REMARKS | QTY | RANK | | |
|---------|-----------|------------------------|--------------|---|---|---------|-----|------|--------|----|
| R309 | AA X6315R | CARBON RESISTOR (CHIP) | 10 J | チ | ッ | ブ | 抵 | 抗 | 067492 | 01 |
| R310 | AA X6278R | CARBON RESISTOR (CHIP) | 33K J | チ | ッ | ブ | 抵 | 抗 | 067532 | |
| -312 | AA X6278R | CARBON RESISTOR (CHIP) | 33K J | チ | ッ | ブ | 抵 | 抗 | 067532 | |
| R314 | AA X6278R | CARBON RESISTOR (CHIP) | 33K J | チ | ッ | ブ | 抵 | 抗 | 067532 | |
| -316 | AA X6278R | CARBON RESISTOR (CHIP) | 33K J | チ | ッ | ブ | 抵 | 抗 | 067532 | |
| R319 | AA X6280R | CARBON RESISTOR (CHIP) | 47K J | チ | ッ | ブ | 抵 | 抗 | 067546 | 01 |
| R320 | AA X6317R | CARBON RESISTOR (CHIP) | 560 J | チ | ッ | ブ | 抵 | 抗 | 067551 | |
| R321 | AA X6310R | CARBON RESISTOR (CHIP) | 1.8K J | チ | ッ | ブ | 抵 | 抗 | 067514 | |
| -324 | AA X6310R | CARBON RESISTOR (CHIP) | 1.8K J | チ | ッ | ブ | 抵 | 抗 | 067514 | |
| R327 | AA X6288R | CARBON RESISTOR (CHIP) | 10K J | チ | ッ | ブ | 抵 | 抗 | 067497 | 03 |
| R329 | AA X6288R | CARBON RESISTOR (CHIP) | 10K J | チ | ッ | ブ | 抵 | 抗 | 067497 | 03 |
| R331 | AA X6288R | CARBON RESISTOR (CHIP) | 10K J | チ | ッ | ブ | 抵 | 抗 | 067497 | 03 |
| R335 | AA X6288R | CARBON RESISTOR (CHIP) | 10K J | チ | ッ | ブ | 抵 | 抗 | 067497 | 03 |
| R338 | AA X6315R | CARBON RESISTOR (CHIP) | 10 J | チ | ッ | ブ | 抵 | 抗 | 067492 | 01 |
| R339 | AA X6292R | CARBON RESISTOR (CHIP) | 100K J | チ | ッ | ブ | 抵 | 抗 | 067499 | |
| R340 | AA X6288R | CARBON RESISTOR (CHIP) | 10K J | チ | ッ | ブ | 抵 | 抗 | 067497 | 03 |
| R341 | AA X6278R | CARBON RESISTOR (CHIP) | 33K J | チ | ッ | ブ | 抵 | 抗 | 067532 | |
| R342 | AA X6406R | CARBON RESISTOR (CHIP) | 27K J | チ | ッ | ブ | 抵 | 抗 | 067527 | |
| R343 | AA X6315R | CARBON RESISTOR (CHIP) | 10 J | チ | ッ | ブ | 抵 | 抗 | 067492 | 01 |
| R344 | AA X6292R | CARBON RESISTOR (CHIP) | 100K J | チ | ッ | ブ | 抵 | 抗 | 067499 | |
| R345 | AA X6288R | CARBON RESISTOR (CHIP) | 10K J | チ | ッ | ブ | 抵 | 抗 | 067497 | 03 |
| R361 | AA X6310R | CARBON RESISTOR (CHIP) | 1.8K J | チ | ッ | ブ | 抵 | 抗 | 067514 | |
| R363 | AA X6310R | CARBON RESISTOR (CHIP) | 1.8K J | チ | ッ | ブ | 抵 | 抗 | 067514 | |
| R364 | AA X6310R | CARBON RESISTOR (CHIP) | 1.8K J | チ | ッ | ブ | 抵 | 抗 | 067514 | |
| R401 | AA X6288R | CARBON RESISTOR (CHIP) | 10K J | チ | ッ | ブ | 抵 | 抗 | 067497 | 03 |
| R403 | AA X6310R | CARBON RESISTOR (CHIP) | 1.8K J | チ | ッ | ブ | 抵 | 抗 | 067514 | |
| R404 | AA X6310R | CARBON RESISTOR (CHIP) | 1.8K J | チ | ッ | ブ | 抵 | 抗 | 067514 | |
| R405 | AA X6380R | CARBON RESISTOR (CHIP) | 8.2K J | チ | ッ | ブ | 抵 | 抗 | 067562 | |
| R406 | AA X6288R | CARBON RESISTOR (CHIP) | 10K J | チ | ッ | ブ | 抵 | 抗 | 067497 | 03 |
| * R407 | WR950800 | CARBON RESISTOR (CHIP) | 470K 1/10W J | チ | ッ | ブ | 抵 | 抗 | 067547 | |
| * R408 | WR958400 | CARBON RESISTOR (CHIP) | 9.1K 1/10W J | チ | ッ | ブ | 抵 | 抗 | 490819 | |
| R409 | AA X6315R | CARBON RESISTOR (CHIP) | 10 J | チ | ッ | ブ | 抵 | 抗 | 067492 | 01 |
| R410 | AA X6278R | CARBON RESISTOR (CHIP) | 33K J | チ | ッ | ブ | 抵 | 抗 | 067532 | |
| -412 | AA X6278R | CARBON RESISTOR (CHIP) | 33K J | チ | ッ | ブ | 抵 | 抗 | 067532 | |
| R414 | AA X6278R | CARBON RESISTOR (CHIP) | 33K J | チ | ッ | ブ | 抵 | 抗 | 067532 | |
| -416 | AA X6278R | CARBON RESISTOR (CHIP) | 33K J | チ | ッ | ブ | 抵 | 抗 | 067532 | |
| R419 | AA X6280R | CARBON RESISTOR (CHIP) | 47K J | チ | ッ | ブ | 抵 | 抗 | 067546 | 01 |
| R420 | AA X6317R | CARBON RESISTOR (CHIP) | 560 J | チ | ッ | ブ | 抵 | 抗 | 067551 | |
| R421 | AA X6310R | CARBON RESISTOR (CHIP) | 1.8K J | チ | ッ | ブ | 抵 | 抗 | 067514 | |
| R422 | AA X6310R | CARBON RESISTOR (CHIP) | 1.8K J | チ | ッ | ブ | 抵 | 抗 | 067514 | |
| R427 | AA X6288R | CARBON RESISTOR (CHIP) | 10K J | チ | ッ | ブ | 抵 | 抗 | 067497 | 03 |
| R429 | AA X6288R | CARBON RESISTOR (CHIP) | 10K J | チ | ッ | ブ | 抵 | 抗 | 067497 | 03 |
| R431 | AA X6288R | CARBON RESISTOR (CHIP) | 10K J | チ | ッ | ブ | 抵 | 抗 | 067497 | 03 |
| R435 | AA X6288R | CARBON RESISTOR (CHIP) | 10K J | チ | ッ | ブ | 抵 | 抗 | 067497 | 03 |
| R438 | AA X6315R | CARBON RESISTOR (CHIP) | 10 J | チ | ッ | ブ | 抵 | 抗 | 067492 | 01 |
| R439 | AA X6292R | CARBON RESISTOR (CHIP) | 100K J | チ | ッ | ブ | 抵 | 抗 | 067499 | |
| R440 | AA X6288R | CARBON RESISTOR (CHIP) | 10K J | チ | ッ | ブ | 抵 | 抗 | 067497 | 03 |
| R441 | AA X6278R | CARBON RESISTOR (CHIP) | 33K J | チ | ッ | ブ | 抵 | 抗 | 067532 | |
| R442 | AA X6406R | CARBON RESISTOR (CHIP) | 27K J | チ | ッ | ブ | 抵 | 抗 | 067527 | |
| R443 | AA X6315R | CARBON RESISTOR (CHIP) | 10 J | チ | ッ | ブ | 抵 | 抗 | 067492 | 01 |
| R444 | AA X6292R | CARBON RESISTOR (CHIP) | 100K J | チ | ッ | ブ | 抵 | 抗 | 067499 | |
| R445 | AA X6288R | CARBON RESISTOR (CHIP) | 10K J | チ | ッ | ブ | 抵 | 抗 | 067497 | 03 |
| R461 | AA X6310R | CARBON RESISTOR (CHIP) | 1.8K J | チ | ッ | ブ | 抵 | 抗 | 067514 | |
| R501 | AA X6288R | CARBON RESISTOR (CHIP) | 10K J | チ | ッ | ブ | 抵 | 抗 | 067497 | 03 |
| R503 | AA X6310R | CARBON RESISTOR (CHIP) | 1.8K J | チ | ッ | ブ | 抵 | 抗 | 067514 | |
| R504 | AA X6310R | CARBON RESISTOR (CHIP) | 1.8K J | チ | ッ | ブ | 抵 | 抗 | 067514 | |
| R505 | AA X6380R | CARBON RESISTOR (CHIP) | 8.2K J | チ | ッ | ブ | 抵 | 抗 | 067562 | |
| R506 | AA X6288R | CARBON RESISTOR (CHIP) | 10K J | チ | ッ | ブ | 抵 | 抗 | 067497 | 03 |
| * R507 | WR950800 | CARBON RESISTOR (CHIP) | 470K 1/10W J | チ | ッ | ブ | 抵 | 抗 | 067547 | |
| * R508 | WR958400 | CARBON RESISTOR (CHIP) | 9.1K 1/10W J | チ | ッ | ブ | 抵 | 抗 | 490819 | |
| R509 | AA X6315R | CARBON RESISTOR (CHIP) | 10 J | チ | ッ | ブ | 抵 | 抗 | 067492 | 01 |
| R510 | AA X6278R | CARBON RESISTOR (CHIP) | 33K J | チ | ッ | ブ | 抵 | 抗 | 067532 | |
| -512 | AA X6278R | CARBON RESISTOR (CHIP) | 33K J | チ | ッ | ブ | 抵 | 抗 | 067532 | |
| R514 | AA X6278R | CARBON RESISTOR (CHIP) | 33K J | チ | ッ | ブ | 抵 | 抗 | 067532 | |
| -516 | AA X6278R | CARBON RESISTOR (CHIP) | 33K J | チ | ッ | ブ | 抵 | 抗 | 067532 | |
| R519 | AA X6280R | CARBON RESISTOR (CHIP) | 47K J | チ | ッ | ブ | 抵 | 抗 | 067546 | 01 |
| R520 | AA X6317R | CARBON RESISTOR (CHIP) | 560 J | チ | ッ | ブ | 抵 | 抗 | 067551 | |
| R521 | AA X6310R | CARBON RESISTOR (CHIP) | 1.8K J | チ | ッ | ブ | 抵 | 抗 | 067514 | |
| -524 | AA X6310R | CARBON RESISTOR (CHIP) | 1.8K J | チ | ッ | ブ | 抵 | 抗 | 067514 | |
| R527 | AA X6288R | CARBON RESISTOR (CHIP) | 10K J | チ | ッ | ブ | 抵 | 抗 | 067497 | 03 |

*: New Parts

RANK: Japan only

FRONT and INPUT POWER

| REF NO. | PART NO. | DESCRIPTION | 部 品 名 | REMARKS | QTY | RANK |
|------------|----------------|--------------------------|------------------|-------------------|--------|------|
| R745 | AA X6288R | CARBON RESISTOR (CHIP) | 10K J | チ ッ プ 抵 抗 | 067497 | 03 |
| R761 | AA X6310R | CARBON RESISTOR (CHIP) | 1.8K J | チ ッ プ 抵 抗 | 067514 | |
| R763 | AA X6310R | CARBON RESISTOR (CHIP) | 1.8K J | チ ッ プ 抵 抗 | 067514 | |
| R764 | AA X6310R | CARBON RESISTOR (CHIP) | 1.8K J | チ ッ プ 抵 抗 | 067514 | |
| R801 | AA X6288R | CARBON RESISTOR (CHIP) | 10K J | チ ッ プ 抵 抗 | 067497 | 03 |
| R803 | AA X6310R | CARBON RESISTOR (CHIP) | 1.8K J | チ ッ プ 抵 抗 | 067514 | |
| R804 | AA X6310R | CARBON RESISTOR (CHIP) | 1.8K J | チ ッ プ 抵 抗 | 067514 | |
| R805 | AA X6380R | CARBON RESISTOR (CHIP) | 8.2K J | チ ッ プ 抵 抗 | 067562 | |
| R806 | AA X6288R | CARBON RESISTOR (CHIP) | 10K J | チ ッ プ 抵 抗 | 067497 | 03 |
| * R807 | WR950800 | CARBON RESISTOR (CHIP) | 470K 1/10W J | チ ッ プ 抵 抗 | 067547 | |
| * R808 | WR958400 | CARBON RESISTOR (CHIP) | 9.1K 1/10W J | チ ッ プ 抵 抗 | 490819 | |
| R809 | AA X6315R | CARBON RESISTOR (CHIP) | 10 J | チ ッ プ 抵 抗 | 067492 | 01 |
| R810 | AA X6278R | CARBON RESISTOR (CHIP) | 33K J | チ ッ プ 抵 抗 | 067532 | |
| -812 | AA X6278R | CARBON RESISTOR (CHIP) | 33K J | チ ッ プ 抵 抗 | 067532 | |
| R814 | AA X6278R | CARBON RESISTOR (CHIP) | 33K J | チ ッ プ 抵 抗 | 067532 | |
| -816 | AA X6278R | CARBON RESISTOR (CHIP) | 33K J | チ ッ プ 抵 抗 | 067532 | |
| R819 | AA X6280R | CARBON RESISTOR (CHIP) | 47K J | チ ッ プ 抵 抗 | 067546 | 01 |
| R820 | AA X6317R | CARBON RESISTOR (CHIP) | 560 J | チ ッ プ 抵 抗 | 067551 | |
| R821 | AA X6310R | CARBON RESISTOR (CHIP) | 1.8K J | チ ッ プ 抵 抗 | 067514 | |
| R822 | AA X6310R | CARBON RESISTOR (CHIP) | 1.8K J | チ ッ プ 抵 抗 | 067514 | |
| R827 | AA X6288R | CARBON RESISTOR (CHIP) | 10K J | チ ッ プ 抵 抗 | 067497 | 03 |
| R829 | AA X6288R | CARBON RESISTOR (CHIP) | 10K J | チ ッ プ 抵 抗 | 067497 | 03 |
| R831 | AA X6288R | CARBON RESISTOR (CHIP) | 10K J | チ ッ プ 抵 抗 | 067497 | 03 |
| R835 | AA X6288R | CARBON RESISTOR (CHIP) | 10K J | チ ッ プ 抵 抗 | 067497 | 03 |
| R838 | AA X6315R | CARBON RESISTOR (CHIP) | 10 J | チ ッ プ 抵 抗 | 067492 | 01 |
| R839 | AA X6292R | CARBON RESISTOR (CHIP) | 100K J | チ ッ プ 抵 抗 | 067499 | |
| R840 | AA X6288R | CARBON RESISTOR (CHIP) | 10K J | チ ッ プ 抵 抗 | 067497 | 03 |
| R841 | AA X6278R | CARBON RESISTOR (CHIP) | 33K J | チ ッ プ 抵 抗 | 067532 | |
| R842 | AA X6406R | CARBON RESISTOR (CHIP) | 27K J | チ ッ プ 抵 抗 | 067527 | |
| R843 | AA X6315R | CARBON RESISTOR (CHIP) | 10 J | チ ッ プ 抵 抗 | 067492 | 01 |
| R844 | AA X6292R | CARBON RESISTOR (CHIP) | 100K J | チ ッ プ 抵 抗 | 067499 | |
| R845 | AA X6288R | CARBON RESISTOR (CHIP) | 10K J | チ ッ プ 抵 抗 | 067497 | 03 |
| R861 | AA X6310R | CARBON RESISTOR (CHIP) | 1.8K J | チ ッ プ 抵 抗 | 067514 | |
| S101 | AA X6318R | PUSH SWITCH | PS-22E85-L5.2 LF | プ ッ シ ュ ス イ ッ チ | 407770 | 03 |
| S201 | AA X6318R | PUSH SWITCH | PS-22E85-L5.2 LF | プ ッ シ ュ ス イ ッ チ | 407770 | 03 |
| S301 | AA X6318R | PUSH SWITCH | PS-22E85-L5.2 LF | プ ッ シ ュ ス イ ッ チ | 407770 | 03 |
| S401 | AA X6318R | PUSH SWITCH | PS-22E85-L5.2 LF | プ ッ シ ュ ス イ ッ チ | 407770 | 03 |
| S501 | AA X6318R | PUSH SWITCH | PS-22E85-L5.2 LF | プ ッ シ ュ ス イ ッ チ | 407770 | 03 |
| S601 | AA X6318R | PUSH SWITCH | PS-22E85-L5.2 LF | プ ッ シ ュ ス イ ッ チ | 407770 | 03 |
| S701 | AA X6318R | PUSH SWITCH | PS-22E85-L5.2 LF | プ ッ シ ュ ス イ ッ チ | 407770 | 03 |
| S801 | AA X6318R | PUSH SWITCH | PS-22E85-L5.2 LF | プ ッ シ ュ ス イ ッ チ | 407770 | 03 |
| * VR101 | WS480600 | ROTARY VARIABLE RESISTOR | B20.0K | ロ ー タ リ ー ヴ R | 487925 | |
| * VR201 | WS480600 | ROTARY VARIABLE RESISTOR | B20.0K | ロ ー タ リ ー ヴ R | 487925 | |
| * VR301 | WS480600 | ROTARY VARIABLE RESISTOR | B20.0K | ロ ー タ リ ー ヴ R | 487925 | |
| * VR401 | WS480600 | ROTARY VARIABLE RESISTOR | B20.0K | ロ ー タ リ ー ヴ R | 487925 | |
| * VR501 | WS480600 | ROTARY VARIABLE RESISTOR | B20.0K | ロ ー タ リ ー ヴ R | 487925 | |
| * VR601 | WS480600 | ROTARY VARIABLE RESISTOR | B20.0K | ロ ー タ リ ー ヴ R | 487925 | |
| * VR701 | WS480600 | ROTARY VARIABLE RESISTOR | B20.0K | ロ ー タ リ ー ヴ R | 487925 | |
| * VR801 | WS480600 | ROTARY VARIABLE RESISTOR | B20.0K | ロ ー タ リ ー ヴ R | 487925 | |
| | WR981700 | CIRCUIT BOARD | INPUT POWER | INPUT POWERシート | 498461 | |
| * WP928400 | HEATSINK | A1C7 A-2 | ヒ ー ト シ ン ク | | 434646 | 3 |
| * WS522100 | PAN HEAD SCREW | M3x10 | ナ べ 小 ネ ジ | | 422409 | 3 |
| △ * C971 | WR974500 | CAPACITOR | 1.0uF 275V | 規 格 認 定 コ ン デ ン サ | 485441 | |
| * C974 | WR949800 | ELECTROLYTIC CAPACITOR | 220uF 25V | ケ ミ コ ン | 433553 | |
| △ * C975 | WR974200 | CAPACITOR | 0.47uF 275V | 規 格 認 定 コ ン デ ン サ | 485439 | |
| △ C976 | WP111400 | CERAMIC CAPACITOR | 2200pF | セ ラ コ ン | 471018 | 03 |
| △ -978 | WP111400 | CERAMIC CAPACITOR | 2200pF | セ ラ コ ン | 471018 | 03 |
| △ * C979 | -- | CAPACITOR | 0.1uF 275V | 規 格 認 定 コ ン デ ン サ | 488698 | |
| * C980 | WR969800 | ELECTROLYTIC CAPACITOR | 47uF 400V | ケ ミ コ ン | 484954 | |
| * C981 | WR959100 | CERAMIC CAPACITOR (CHIP) | 0.01uF 630V K | チ ッ プ 積 層 セ ラ コ ン | 418068 | |
| * C982 | WR968600 | ELECTROLYTIC CAPACITOR | 10uF 50V | ケ ミ コ ン | 474898 | |
| * C983 | WR958100 | CERAMIC CAPACITOR (CHIP) | 0.1uF 50V K | チ ッ プ 積 層 セ ラ コ ン | 484941 | |
| * C984 | WR969400 | ELECTROLYTIC CAPACITOR | 47uF 35V | ケ ミ コ ン | 484947 | |
| * C985 | WR974100 | MYLAR CAPACITOR | 0.1uF 50V K | マ イ ラ ー コ ン | 065011 | |
| △ C986 | WP111400 | CERAMIC CAPACITOR | 2200pF | セ ラ コ ン | 471018 | 03 |
| * C987 | WR969200 | ELECTROLYTIC CAPACITOR | 270uF 35V | ケ ミ コ ン | 420757 | |
| * -989 | WR969200 | ELECTROLYTIC CAPACITOR | 270uF 35V | ケ ミ コ ン | 420757 | |
| * C990 | WR969400 | ELECTROLYTIC CAPACITOR | 47uF 35V | ケ ミ コ ン | 484947 | |
| * C991 | WR969400 | ELECTROLYTIC CAPACITOR | 47uF 35V | ケ ミ コ ン | 484947 | |

* : New Parts

RANK: Japan only

INPUT POWER

| REF NO. | PART NO. | DESCRIPTION | 部 品 名 | REMARKS | QTY | RANK |
|---------|----------|---------------------------|---------------------|-----------------------|--------|------|
| * C992 | WR969200 | ELECTROLYTIC CAPACITOR | 270uF 35V | ケ ミ コ ン | 420757 | |
| * C993 | WR970000 | ELECTROLYTIC CAPACITOR | 10uF 10V | ケ ミ コ ン | 488663 | |
| * C994 | WR958100 | CERAMIC CAPACITOR (CHIP) | 0.1uF 50V K | チ ッ プ 積 層 セ ラ コ ン | 484941 | |
| * C995 | WR958100 | CERAMIC CAPACITOR (CHIP) | 0.1uF 50V K | チ ッ プ 積 層 セ ラ コ ン | 484941 | |
| * C997 | WR958100 | CERAMIC CAPACITOR (CHIP) | 0.1uF 50V K | チ ッ プ 積 層 セ ラ コ ン | 484941 | |
| * C998 | WR949800 | ELECTROLYTIC CAPACITOR | 220uF 25V | ケ ミ コ ン | 433553 | |
| * C999 | WR949800 | ELECTROLYTIC CAPACITOR | 220uF 25V | ケ ミ コ ン | 433553 | |
| * C9A1 | WR949800 | ELECTROLYTIC CAPACITOR | 220uF 25V | ケ ミ コ ン | 433553 | |
| * C9A2 | WR958100 | CERAMIC CAPACITOR (CHIP) | 0.1uF 50V K | チ ッ プ 積 層 セ ラ コ ン | 484941 | |
| * C9A3 | WR958100 | CERAMIC CAPACITOR (CHIP) | 0.1uF 50V K | チ ッ プ 積 層 セ ラ コ ン | 484941 | |
| * C9A4 | WR958100 | CERAMIC CAPACITOR (CHIP) | 0.1uF 50V K | チ ッ プ 積 層 セ ラ コ ン | 484941 | |
| * C9A5 | WR959100 | CERAMIC CAPACITOR (CHIP) | 0.01uF 630V K | チ ッ プ 積 層 セ ラ コ ン | 418068 | |
| * C9A6 | WR959100 | CERAMIC CAPACITOR (CHIP) | 0.01uF 630V K | チ ッ プ 積 層 セ ラ コ ン | 418068 | |
| * C9A7 | WR959100 | CERAMIC CAPACITOR (CHIP) | 0.01uF 630V K | チ ッ プ 積 層 セ ラ コ ン | 418068 | |
| * C9A8 | WR958100 | CERAMIC CAPACITOR (CHIP) | 0.1uF 50V K | チ ッ プ 積 層 セ ラ コ ン | 484941 | |
| CN970 | AAX10590 | CONNECTOR BASE POST | 2P B2P3-VH | コ ネ ク タ ー 2 P | 081855 | |
| * CN971 | WR963000 | CONNECTOR BASE POST | 3P GPHA102-0302A156 | コ ネ ク タ ー ベ ー ス ポ ス ト | 484434 | |
| -982 | WR963000 | CONNECTOR BASE POST | 3P GPHA102-0302A156 | コ ネ ク タ ー ベ ー ス ポ ス ト | 484434 | |
| CN983 | AAX4246R | BASE POST | 2P B2B-EH | コ ネ ク タ ー 2 P | 081439 | 01 |
| CN984 | AAX4246R | BASE POST | 2P B2B-EH | コ ネ ク タ ー 2 P | 081439 | 01 |
| * CN985 | WR961100 | CONNECTOR BASE POST | 2P B02B-PH-K-S | コ ネ ク タ ー ベ ー ス ポ ス ト | 081678 | |
| * CN986 | WR961200 | CONNECTOR BASE POST | 3P B03B-PH-K-S | コ ネ ク タ ー ベ ー ス ポ ス ト | 081690 | |
| * CN987 | AAX10590 | CONNECTOR BASE POST | 2P B2P3-VH | コ ネ ク タ ー 2 P | 081855 | |
| * CN988 | WR961100 | CONNECTOR BASE POST | 2P B02B-PH-K-S | コ ネ ク タ ー ベ ー ス ポ ス ト | 081678 | |
| CN989 | AAX10590 | CONNECTOR BASE POST | 2P B2P3-VH | コ ネ ク タ ー 2 P | 081855 | |
| D971 | AAX4255R | DIODE | 1S5133 | ダ イ オ ー ド | 069460 | 01 |
| * D972 | WR972500 | DIODE | DB106G | ダ イ オ ー ド | 484968 | |
| * D973 | WR973600 | ZENER DIODE | MTZJ15B | ツ ェ ナ ー ダ イ オ ー ド | 069188 | |
| * D974 | WP914400 | DIODE | SFR1T6 T | ダ イ オ ー ド | 408519 | |
| D975 | XX698570 | DIODE (CHIP) | 1S5355 TE-17 | ダ イ オ ー ド | 069444 | 01 |
| * D976 | WR972300 | DIODE | AL01Z | ダ イ オ ー ド | 484966 | |
| * D977 | WR972300 | DIODE | AL01Z | ダ イ オ ー ド | 484966 | |
| * D981 | WR972300 | DIODE | AL01Z | ダ イ オ ー ド | 484966 | |
| * D982 | WR972300 | DIODE | AL01Z | ダ イ オ ー ド | 484966 | |
| D983 | AAX4255R | DIODE | 1S5133 | ダ イ オ ー ド | 069460 | 01 |
| D984 | AAX4255R | DIODE | 1S5133 | ダ イ オ ー ド | 069460 | 01 |
| D985 | WP043100 | DIODE | SRT14A1 T LF | ダ イ オ ー ド | 433550 | 02 |
| D986 | WP043100 | DIODE | SRT14A1 T LF | ダ イ オ ー ド | 433550 | 02 |
| * D988 | WR972700 | DIODE | P4SMA250A-E3/61 | ダ イ オ ー ド | 488607 | |
| * D989 | WR972300 | DIODE | AL01Z | ダ イ オ ー ド | 484966 | |
| * -992 | WR972300 | DIODE | AL01Z | ダ イ オ ー ド | 484966 | |
| D993 | AAX6359R | ZENER DIODE | MTZJ18B | ツ ェ ナ ー ダ イ オ ー ド | 069208 | |
| EP971 | XX698880 | LUG TERMINAL | MET37-0001 | ラ グ 端 子 | 075878 | 02 |
| EP972 | XX698880 | LUG TERMINAL | MET37-0001 | ラ グ 端 子 | 075878 | 02 |
| △ F971 | WR985800 | FUSE | SST 250V 2A T | ヒ ュ ー ズ | 433554 | |
| △ F972 | WT880900 | FUSE | 1.25A | ヒ ュ ー ズ | 496575 | |
| * IC971 | YA883A00 | IC | MIP2E4DMY | IC | 454915 | |
| IC972 | AAX6364R | IC | KIA7815API-U/P | IC | 407826 | 03 |
| IC973 | AAX6366R | IC | KIA7915PI-U/P | IC | 407827 | 03 |
| △ L971 | WR984800 | COIL | CNF35T030V | コ イ ル | 488691 | |
| △ L972 | WR984900 | COIL | CNF35T010V | コ イ ル | 488692 | |
| △ L973 | WR984000 | COIL | LF-4Z-E103 | コ イ ル | 433523 | |
| * Q971 | WR971300 | TRANSISTOR | CPH3115 | ト ラ ン ジ ス タ | 489591 | |
| Q972 | AAX45980 | TRANSISTOR (CHIP) | 2SC2412K QRS T146 | ト ラ ン ジ ス タ | 068775 | 01 |
| Q973 | AAX45980 | TRANSISTOR (CHIP) | 2SC2412K QRS T146 | ト ラ ン ジ ス タ | 068775 | 01 |
| * R971 | WR973100 | METAL OXIDE FILM RESISTOR | 220K 2W J | 酸 化 金 属 皮 膜 抵 抗 | 484975 | |
| * R972 | WT880800 | METAL OXIDE FILM RESISTOR | 220K 2W J | 酸 化 金 属 皮 膜 抵 抗 | 496574 | |
| R973 | AAX6315R | CARBON RESISTOR (CHIP) | 10 J | チ ッ プ 抵 抗 | 067492 | 01 |
| * R974 | WR951300 | CARBON RESISTOR (CHIP) | 22 1/10W J | チ ッ プ 抵 抗 | 067517 | |
| R975 | WJ600400 | CARBON RESISTOR (CHIP) | 6.8 J | チ ッ プ 抵 抗 | 444634 | 01 |
| R976 | WJ599600 | CARBON RESISTOR (CHIP) | 220 J | チ ッ プ 抵 抗 | 067518 | 01 |
| R977 | AAX6281R | CARBON RESISTOR (CHIP) | 1K J | チ ッ プ 抵 抗 | 067495 | 01 |
| * R978 | WR951600 | CARBON RESISTOR | 2.2K 1/6W J | カ ー ボ ン 抵 抗 | 067155 | |
| * R980 | WR966300 | METAL OXIDE FILM RESISTOR | 27 1W J | 酸 化 金 属 皮 膜 抵 抗 | 068104 | |
| * R981 | WR966400 | METAL OXIDE FILM RESISTOR | 4.7 1/2W J | 酸 化 金 属 皮 膜 抵 抗 | 484972 | |
| R982 | AAX6281R | CARBON RESISTOR (CHIP) | 1K J | チ ッ プ 抵 抗 | 067495 | 01 |
| * R983 | WR949900 | CARBON RESISTOR (CHIP) | 1.2K 1/8W J | チ ッ プ 抵 抗 | 067696 | |
| R984 | AAX6288R | CARBON RESISTOR (CHIP) | 10K J | チ ッ プ 抵 抗 | 067497 | 03 |
| R985 | AAX6388R | CARBON RESISTOR (CHIP) | 4.7K J | チ ッ プ 抵 抗 | 067545 | |
| * R986 | WR951800 | CARBON RESISTOR | 3.9K 1/6W J | カ ー ボ ン 抵 抗 | 067223 | |

* : New Parts

RANK: Japan only

INPUT POWER and LED and MOTHER A-D

| REF NO. | PART NO. | DESCRIPTION | | 部 品 名 | REMARKS | QTY | RANK |
|------------|--------------------|--------------------------|------------------|-------------------------|-------------------|--------|------|
| * R987 | WR951800 | CARBON RESISTOR | 3.9K 1/6W J | カ ー ボ ン 抵 抗 | | 067223 | |
| R988 | AAx6379R | CARBON RESISTOR (CHIP) | 22K J | チ ッ プ 抵 抗 | | 067520 | |
| * R989 | WT880700 | CARBON RESISTOR | 68 1/2W J | カ ー ボ ン 抵 抗 | | 496573 | |
| R990 | AAx6288R | CARBON RESISTOR (CHIP) | 10K J | チ ッ プ 抵 抗 | | 067497 | 03 |
| * R9A1 | WR959900 | CARBON RESISTOR | 2.2K 1/2W J | カ ー ボ ン 抵 抗 | | 338937 | |
| R9A2 | WN843200 | CARBON RESISTOR (CHIP) | 2.2 J | チ ッ プ 抵 抗 | | 067523 | 01 |
| R9A3 | WN843200 | CARBON RESISTOR (CHIP) | 2.2 J | チ ッ プ 抵 抗 | | 067523 | 01 |
| R9A4 | WN843200 | CARBON RESISTOR (CHIP) | 2.2 J | チ ッ プ 抵 抗 | | 067523 | 01 |
| * R9A5 | WR952000 | CARBON RESISTOR | 6.8K 1/6W J | カ ー ボ ン 抵 抗 | | 067294 | |
| * R9A6 | WR952000 | CARBON RESISTOR | 6.8K 1/6W J | カ ー ボ ン 抵 抗 | | 067294 | |
| * R9A7 | WR952000 | CARBON RESISTOR | 6.8K 1/6W J | カ ー ボ ン 抵 抗 | | 067294 | |
| * R9A8 | WR951700 | CARBON RESISTOR (CHIP) | 0.0 1/8W J | チ ッ プ 抵 抗 | | 067674 | |
| * R9A9 | WR949900 | CARBON RESISTOR (CHIP) | 1.2K 1/8W J | チ ッ プ 抵 抗 | | 067696 | |
| * RY971 | WR976000 | RELAY | DJ12D2-O(M)-Q | リ レ | | 480657 | |
| * T971 | WR984400 | COIL | FT3048 | コ イ ル | | 484958 | |
| * T972 | WR985400 | COIL | FT3054 | コ イ ル | | 490342 | |
| * TH971 | WR968300 | THERMISTOR | SCK20200MIBY | サ ミ スタ | | 488664 | |
| * TH972 | WR968300 | THERMISTOR | SCK20200MIBY | サ ミ スタ | | 488664 | |
| * TH973 | WR968400 | THERMISTOR | SCK08201MIY | サ ミ スタ | | 490312 | |
| | AAx96250 | CIRCUIT BOARD | LED | L E D シ ー ト | 498458-3(WR98320) | | |
| | WS523800 | LED SPACER | LH-5-3 | L E D ス ペ ー サ | 419569 | | |
| CN107 | -- | CONNECTOR BASE POST | 3P B3B-ZR-SM4-TF | コ ネ ク タ ー ベ ー ス ポ ス ト | 044944(WR96220) | | |
| * D100 | WT886100 | LED GREEN | SEL6410E D LF | L E D 緑 | POWER | 412429 | |
| R100 | AAx6317R | CARBON RESISTOR (CHIP) | 560 J | チ ッ プ 抵 抗 | | 067551 | |
| | AAx96230 | CIRCUIT BOARD | MOTHER A-D | M O T H E R A - D シ ー ト | 498458 (WR98320) | | |
| * WR965900 | CONNECTOR ASSEMBLY | VH 2P-A | 束 線 | | 490158 | | |
| C1101 | AAx6299R | ELECTROLYTIC CAP. (CHIP) | 10uF 35V | チ ッ プ ケ ミ コ ン | | 412428 | 02 |
| C1102 | AAx6299R | ELECTROLYTIC CAP. (CHIP) | 10uF 35V | チ ッ プ ケ ミ コ ン | | 412428 | 02 |
| C1103 | AAx6297R | ELECTROLYTIC CAP. (CHIP) | 47uF 25V | チ ッ プ ケ ミ コ ン | | 412426 | |
| C1104 | AAx6299R | ELECTROLYTIC CAP. (CHIP) | 10uF 35V | チ ッ プ ケ ミ コ ン | | 412428 | 02 |
| C1107 | WJ592200 | CERAMIC CAPACITOR (CHIP) | 0.1uF 25V K | チ ッ プ セ ラ コ ン | | 374404 | 01 |
| -1109 | WJ592200 | CERAMIC CAPACITOR (CHIP) | 0.1uF 25V K | チ ッ プ セ ラ コ ン | | 374404 | 01 |
| C1111 | WJ590400 | ELECTROLYTIC CAP. (CHIP) | 100uF 16V | チ ッ プ ケ ミ コ ン | | 066076 | 03 |
| C1112 | AAx6273R | CERAMIC CAPACITOR (CHIP) | 0.01uF 50V K | チ ッ プ セ ラ コ ン | | 368353 | |
| C1113 | AAx6273R | CERAMIC CAPACITOR (CHIP) | 0.01uF 50V K | チ ッ プ セ ラ コ ン | | 368353 | |
| C1114 | WJ590400 | ELECTROLYTIC CAP. (CHIP) | 100uF 16V | チ ッ プ ケ ミ コ ン | | 066076 | 03 |
| C1115 | AAx6273R | CERAMIC CAPACITOR (CHIP) | 0.01uF 50V K | チ ッ プ セ ラ コ ン | | 368353 | |
| C1120 | AAx6302R | CERAMIC CAPACITOR (CHIP) | 1000pF K | チ ッ プ セ ラ コ ン | | 065501 | |
| C1121 | AAx6302R | CERAMIC CAPACITOR (CHIP) | 1000pF K | チ ッ プ セ ラ コ ン | | 065501 | |
| C1123 | WJ592200 | CERAMIC CAPACITOR (CHIP) | 0.1uF 25V K | チ ッ プ セ ラ コ ン | | 374404 | 01 |
| C1124 | WJ592100 | CERAMIC CAPACITOR (CHIP) | 0.47uF K | チ ッ プ セ ラ コ ン | | 334335 | 03 |
| C1125 | WJ592200 | CERAMIC CAPACITOR (CHIP) | 0.1uF 25V K | チ ッ プ セ ラ コ ン | | 374404 | 01 |
| -1128 | WJ592200 | CERAMIC CAPACITOR (CHIP) | 0.1uF 25V K | チ ッ プ セ ラ コ ン | | 374404 | 01 |
| C1200 | WJ592200 | CERAMIC CAPACITOR (CHIP) | 0.1uF 25V K | チ ッ プ セ ラ コ ン | | 374404 | 01 |
| C1201 | AAx6299R | ELECTROLYTIC CAP. (CHIP) | 10uF 35V | チ ッ プ ケ ミ コ ン | | 412428 | 02 |
| C1202 | AAx6299R | ELECTROLYTIC CAP. (CHIP) | 10uF 35V | チ ッ プ ケ ミ コ ン | | 412428 | 02 |
| C1203 | AAx6297R | ELECTROLYTIC CAP. (CHIP) | 47uF 25V | チ ッ プ ケ ミ コ ン | | 412426 | |
| C1204 | AAx6299R | ELECTROLYTIC CAP. (CHIP) | 10uF 35V | チ ッ プ ケ ミ コ ン | | 412428 | 02 |
| C1206 | AAx6182R | CERAMIC CAPACITOR (CHIP) | 10pF 50V J | チ ッ プ セ ラ コ ン | | 065472 | |
| C1218 | WJ592200 | CERAMIC CAPACITOR (CHIP) | 0.1uF 25V K | チ ッ プ セ ラ コ ン | | 374404 | 01 |
| C1221 | AAx6302R | CERAMIC CAPACITOR (CHIP) | 1000pF K | チ ッ プ セ ラ コ ン | | 065501 | |
| C1223 | WJ592200 | CERAMIC CAPACITOR (CHIP) | 0.1uF 25V K | チ ッ プ セ ラ コ ン | | 374404 | 01 |
| C1301 | AAx6299R | ELECTROLYTIC CAP. (CHIP) | 10uF 35V | チ ッ プ ケ ミ コ ン | | 412428 | 02 |
| C1302 | AAx6299R | ELECTROLYTIC CAP. (CHIP) | 10uF 35V | チ ッ プ ケ ミ コ ン | | 412428 | 02 |
| C1303 | AAx6297R | ELECTROLYTIC CAP. (CHIP) | 47uF 25V | チ ッ プ ケ ミ コ ン | | 412426 | |
| C1304 | AAx6299R | ELECTROLYTIC CAP. (CHIP) | 10uF 35V | チ ッ プ ケ ミ コ ン | | 412428 | 02 |
| C1306 | AAx6182R | CERAMIC CAPACITOR (CHIP) | 10pF 50V J | チ ッ プ セ ラ コ ン | | 065472 | |
| C1307 | WJ592200 | CERAMIC CAPACITOR (CHIP) | 0.1uF 25V K | チ ッ プ セ ラ コ ン | | 374404 | 01 |
| -1309 | WJ592200 | CERAMIC CAPACITOR (CHIP) | 0.1uF 25V K | チ ッ プ セ ラ コ ン | | 374404 | 01 |
| C1311 | WJ590400 | ELECTROLYTIC CAP. (CHIP) | 100uF 16V | チ ッ プ ケ ミ コ ン | | 066076 | 03 |
| C1312 | AAx6273R | CERAMIC CAPACITOR (CHIP) | 0.01uF 50V K | チ ッ プ セ ラ コ ン | | 368353 | |
| C1313 | AAx6273R | CERAMIC CAPACITOR (CHIP) | 0.01uF 50V K | チ ッ プ セ ラ コ ン | | 368353 | |
| C1314 | WJ590400 | ELECTROLYTIC CAP. (CHIP) | 100uF 16V | チ ッ プ ケ ミ コ ン | | 066076 | 03 |
| C1315 | AAx6273R | CERAMIC CAPACITOR (CHIP) | 0.01uF 50V K | チ ッ プ セ ラ コ ン | | 368353 | |
| C1318 | WJ592200 | CERAMIC CAPACITOR (CHIP) | 0.1uF 25V K | チ ッ プ セ ラ コ ン | | 374404 | 01 |
| C1320 | AAx6302R | CERAMIC CAPACITOR (CHIP) | 1000pF K | チ ッ プ セ ラ コ ン | | 065501 | |
| C1321 | AAx6302R | CERAMIC CAPACITOR (CHIP) | 1000pF K | チ ッ プ セ ラ コ ン | | 065501 | |
| C1323 | WJ592200 | CERAMIC CAPACITOR (CHIP) | 0.1uF 25V K | チ ッ プ セ ラ コ ン | | 374404 | 01 |

* : New Parts

RANK: Japan only

MOTHER A-D

| REF NO. | PART NO. | DESCRIPTION | 部 品 名 | REMARKS | QTY | RANK |
|----------|----------|--------------------------|-------------------------|-----------------------|------------------|------|
| C1324 | WJ592100 | CERAMIC CAPACITOR (CHIP) | 0.47uF K | チ ッ プ セ ラ コ ン | 334335 | 03 |
| C1400 | WJ592200 | CERAMIC CAPACITOR (CHIP) | 0.1uF 25V K | チ ッ プ セ ラ コ ン | 374404 | 01 |
| C1401 | AA6299R | ELECTROLYTIC CAP. (CHIP) | 10uF 35V | チ ッ プ ケ ミ コ ン | 412428 | 02 |
| C1402 | AA6299R | ELECTROLYTIC CAP. (CHIP) | 10uF 35V | チ ッ プ ケ ミ コ ン | 412428 | 02 |
| C1403 | AA6297R | ELECTROLYTIC CAP. (CHIP) | 47uF 25V | チ ッ プ ケ ミ コ ン | 412426 | |
| C1404 | AA6299R | ELECTROLYTIC CAP. (CHIP) | 10uF 35V | チ ッ プ ケ ミ コ ン | 412428 | 02 |
| C1406 | AA6182R | CERAMIC CAPACITOR (CHIP) | 10pF 50V J | チ ッ プ セ ラ コ ン | 065472 | |
| C1418 | WJ592200 | CERAMIC CAPACITOR (CHIP) | 0.1uF 25V K | チ ッ プ セ ラ コ ン | 374404 | 01 |
| C1421 | AA6302R | CERAMIC CAPACITOR (CHIP) | 1000pF K | チ ッ プ セ ラ コ ン | 065501 | |
| C1423 | WJ592200 | CERAMIC CAPACITOR (CHIP) | 0.1uF 25V K | チ ッ プ セ ラ コ ン | 374404 | 01 |
| CN1101 | WJ593800 | CONNECTOR BASE POST | 11P 53290-1180 LF | コ ネ ク タ 1 1 P | 444918 | 07 |
| CN1102 | WJ593800 | CONNECTOR BASE POST | 11P 53290-1180 LF | コ ネ ク タ 1 1 P | 444918 | 07 |
| * CN1103 | WR963100 | CONNECTOR BASE POST | 11P GPHA102-1102A156 LF | コ ネ ク タ ー ベ ー ス ポ ス ト | 484435 | |
| * CN1104 | WR962700 | CONNECTOR BASE POST | 8P-VH | コ ネ ク タ ー ベ ー ス ポ ス ト | 338865 | |
| * CN1105 | WR961300 | CONNECTOR BASE POST | 2P B02B-PH-SM4-TB | コ ネ ク タ ー ベ ー ス ポ ス ト | 081686 | |
| CN1106 | -- | CONNECTOR BASE POST | 12P 54132-4097 | コ ネ ク タ ー ベ ー ス ポ ス ト | 484441 (WR96230) | |
| CN1107 | -- | CONNECTOR BASE POST | 10P B10B-PH-SM4-TB | コ ネ ク タ ー ベ ー ス ポ ス ト | 484439 (WR96170) | |
| CN1201 | WJ593800 | CONNECTOR BASE POST | 11P 53290-1180 LF | コ ネ ク タ 1 1 P | 444918 | 07 |
| CN1202 | WJ593800 | CONNECTOR BASE POST | 11P 53290-1180 LF | コ ネ ク タ 1 1 P | 444918 | 07 |
| CN1301 | WJ593800 | CONNECTOR BASE POST | 11P 53290-1180 LF | コ ネ ク タ 1 1 P | 444918 | 07 |
| CN1302 | WJ593800 | CONNECTOR BASE POST | 11P 53290-1180 LF | コ ネ ク タ 1 1 P | 444918 | 07 |
| * CN1303 | WR963100 | CONNECTOR BASE POST | 11P GPHA102-1102A156 LF | コ ネ ク タ ー ベ ー ス ポ ス ト | 484435 | |
| CN1401 | WJ593800 | CONNECTOR BASE POST | 11P 53290-1180 LF | コ ネ ク タ 1 1 P | 444918 | 07 |
| CN1402 | WJ593800 | CONNECTOR BASE POST | 11P 53290-1180 LF | コ ネ ク タ 1 1 P | 444918 | 07 |
| * D1101 | WT869300 | ZENER DIODE | UDZS6.2B 6.2V | ツ ェ ナ ー ダ イ オ ー ド | 044872 | |
| D1102 | XX698570 | DIODE (CHIP) | 1SS355 TE-17 | ダ イ オ ー ド | 069444 | 01 |
| -1106 | XX698570 | DIODE (CHIP) | 1SS355 TE-17 | ダ イ オ ー ド | 069444 | 01 |
| * D1109 | WP899000 | ZENER DIODE | UDZS5.6B TE-17 | ツ ェ ナ ー ダ イ オ ー ド | 049039 | |
| * D1201 | WT869300 | ZENER DIODE | UDZS6.2B 6.2V | ツ ェ ナ ー ダ イ オ ー ド | 044872 | |
| D1206 | XX698570 | DIODE (CHIP) | 1SS355 TE-17 | ダ イ オ ー ド | 069444 | 01 |
| * D1209 | WP899000 | ZENER DIODE | UDZS5.6B TE-17 | ツ ェ ナ ー ダ イ オ ー ド | 049039 | |
| * D1301 | WT869300 | ZENER DIODE | UDZS6.2B 6.2V | ツ ェ ナ ー ダ イ オ ー ド | 044872 | |
| D1302 | XX698570 | DIODE (CHIP) | 1SS355 TE-17 | ダ イ オ ー ド | 069444 | 01 |
| -1306 | XX698570 | DIODE (CHIP) | 1SS355 TE-17 | ダ イ オ ー ド | 069444 | 01 |
| * D1309 | WP899000 | ZENER DIODE | UDZS5.6B TE-17 | ツ ェ ナ ー ダ イ オ ー ド | 049039 | |
| * D1401 | WT869300 | ZENER DIODE | UDZS6.2B 6.2V | ツ ェ ナ ー ダ イ オ ー ド | 044872 | |
| D1406 | XX698570 | DIODE (CHIP) | 1SS355 TE-17 | ダ イ オ ー ド | 069444 | 01 |
| * D1409 | WP899000 | ZENER DIODE | UDZS5.6B TE-17 | ツ ェ ナ ー ダ イ オ ー ド | 049039 | |
| EP1100 | XX698880 | LUG TERMINAL | MET37-0001 | ラ グ 端 子 | 075878 | 02 |
| EP1101 | XX698880 | LUG TERMINAL | MET37-0001 | ラ グ 端 子 | 075878 | 02 |
| IC1101 | AA6275R | IC | NJM2068M-D TE1 | OP AMP | 070170 | 04 |
| IC1301 | AA6275R | IC | NJM2068M-D TE1 | OP AMP | 070170 | 04 |
| Q1101 | AA6277R | TRANSISTOR (CHIP) | KRA102S-RTK/P T LF | ト ラ ン ジ ス タ | 402267 | 01 |
| * Q1102 | WR970400 | TRANSISTOR | 2SC5938A | ト ラ ン ジ ス タ | 484462 | |
| Q1103 | AA645980 | TRANSISTOR (CHIP) | 2SC2412K QRS T146 | ト ラ ン ジ ス タ | 068775 | 01 |
| -1105 | AA645980 | TRANSISTOR (CHIP) | 2SC2412K QRS T146 | ト ラ ン ジ ス タ | 068775 | 01 |
| Q1106 | AA6371R | TRANSISTOR (CHIP) | 2SA1037AK QRS T146 | ト ラ ン ジ ス タ | 068590 | 01 |
| Q1107 | AA645980 | TRANSISTOR (CHIP) | 2SC2412K QRS T146 | ト ラ ン ジ ス タ | 068775 | 01 |
| Q1108 | AA6371R | TRANSISTOR (CHIP) | 2SA1037AK QRS T146 | ト ラ ン ジ ス タ | 068590 | 01 |
| Q1109 | AA6371R | TRANSISTOR (CHIP) | 2SA1037AK QRS T146 | ト ラ ン ジ ス タ | 068590 | 01 |
| Q1110 | AA645980 | TRANSISTOR (CHIP) | 2SC2412K QRS T146 | ト ラ ン ジ ス タ | 068775 | 01 |
| Q1111 | WJ613900 | DIGITAL TRANSISTOR | DTC144EKA T146 | デ ジ タ ル ト ラ ン ジ ス タ | 069311 | 01 |
| Q1112 | AA645980 | TRANSISTOR (CHIP) | 2SC2412K QRS T146 | ト ラ ン ジ ス タ | 068775 | 01 |
| Q1113 | AA6277R | TRANSISTOR (CHIP) | KRA102S-RTK/P T LF | ト ラ ン ジ ス タ | 402267 | 01 |
| * Q1114 | WR970400 | TRANSISTOR | 2SC5938A | ト ラ ン ジ ス タ | 484462 | |
| Q1115 | AA6277R | TRANSISTOR (CHIP) | KRA102S-RTK/P T LF | ト ラ ン ジ ス タ | 402267 | 01 |
| * Q1116 | WR970400 | TRANSISTOR | 2SC5938A | ト ラ ン ジ ス タ | 484462 | |
| Q1117 | AA6371R | TRANSISTOR (CHIP) | 2SA1037AK QRS T146 | ト ラ ン ジ ス タ | 068590 | 01 |
| Q1118 | AA6371R | TRANSISTOR (CHIP) | 2SA1037AK QRS T146 | ト ラ ン ジ ス タ | 068590 | 01 |
| * Q1119 | WR970400 | TRANSISTOR | 2SC5938A | ト ラ ン ジ ス タ | 484462 | |
| Q1120 | WJ613900 | DIGITAL TRANSISTOR | DTC144EKA T146 | デ ジ タ ル ト ラ ン ジ ス タ | 069311 | 01 |
| Q1121 | WJ613900 | DIGITAL TRANSISTOR | DTC144EKA T146 | デ ジ タ ル ト ラ ン ジ ス タ | 069311 | 01 |
| Q1201 | AA6277R | TRANSISTOR (CHIP) | KRA102S-RTK/P T LF | ト ラ ン ジ ス タ | 402267 | 01 |
| * Q1202 | WR970400 | TRANSISTOR | 2SC5938A | ト ラ ン ジ ス タ | 484462 | |
| Q1303 | AA645980 | TRANSISTOR (CHIP) | 2SC2412K QRS T146 | ト ラ ン ジ ス タ | 068775 | 01 |
| -1305 | AA645980 | TRANSISTOR (CHIP) | 2SC2412K QRS T146 | ト ラ ン ジ ス タ | 068775 | 01 |
| Q1306 | AA6371R | TRANSISTOR (CHIP) | 2SA1037AK QRS T146 | ト ラ ン ジ ス タ | 068590 | 01 |
| Q1307 | AA645980 | TRANSISTOR (CHIP) | 2SC2412K QRS T146 | ト ラ ン ジ ス タ | 068775 | 01 |
| Q1308 | AA6371R | TRANSISTOR (CHIP) | 2SA1037AK QRS T146 | ト ラ ン ジ ス タ | 068590 | 01 |
| Q1309 | AA6371R | TRANSISTOR (CHIP) | 2SA1037AK QRS T146 | ト ラ ン ジ ス タ | 068590 | 01 |

* : New Parts

RANK: Japan only

MOTHER A-D

| REF NO. | PART NO. | DESCRIPTION | 部 品 名 | REMARKS | QTY | RANK |
|---------|------------------|------------------------|--------------------|---------------------|--------|------|
| Q1310 | AA X45980 | TRANSISTOR (CHIP) | 2SC2412K QRS T146 | ト ラ ン ジ ス タ | 068775 | 01 |
| Q1311 | WJ 613900 | DIGITAL TRANSISTOR | DTC144EKA T146 | デ ジ タ ル ト ラ ン ジ ス タ | 069311 | 01 |
| Q1312 | AA X45980 | TRANSISTOR (CHIP) | 2SC2412K QRS T146 | ト ラ ン ジ ス タ | 068775 | 01 |
| Q1313 | AA X6277R | TRANSISTOR (CHIP) | KRA102S-RTK/P T LF | ト ラ ン ジ ス タ | 402267 | 01 |
| * Q1314 | WR 970400 | TRANSISTOR | 2SC5938A | ト ラ ン ジ ス タ | 484462 | |
| Q1315 | AA X6277R | TRANSISTOR (CHIP) | KRA102S-RTK/P T LF | ト ラ ン ジ ス タ | 402267 | 01 |
| * Q1316 | WR 970400 | TRANSISTOR | 2SC5938A | ト ラ ン ジ ス タ | 484462 | |
| Q1318 | AA X6371R | TRANSISTOR (CHIP) | 2SA1037AK QRS T146 | ト ラ ン ジ ス タ | 068590 | 01 |
| * Q1319 | WR 970400 | TRANSISTOR | 2SC5938A | ト ラ ン ジ ス タ | 484462 | |
| Q1320 | WJ 613900 | DIGITAL TRANSISTOR | DTC144EKA T146 | デ ジ タ ル ト ラ ン ジ ス タ | 069311 | 01 |
| Q1321 | WJ 613900 | DIGITAL TRANSISTOR | DTC144EKA T146 | デ ジ タ ル ト ラ ン ジ ス タ | 069311 | 01 |
| Q1401 | AA X6277R | TRANSISTOR (CHIP) | KRA102S-RTK/P T LF | ト ラ ン ジ ス タ | 402267 | 01 |
| * Q1402 | WR 970400 | TRANSISTOR | 2SC5938A | ト ラ ン ジ ス タ | 484462 | |
| Q1420 | WJ 613900 | DIGITAL TRANSISTOR | DTC144EKA T146 | デ ジ タ ル ト ラ ン ジ ス タ | 069311 | 01 |
| R1101 | AA X6279R | CARBON RESISTOR (CHIP) | 1.5K J | チ ッ プ 抵 抗 | 067508 | |
| R1102 | AA X6286R | CARBON RESISTOR (CHIP) | 150K J | チ ッ プ 抵 抗 | 067511 | |
| R1103 | AA X6286R | CARBON RESISTOR (CHIP) | 150K J | チ ッ プ 抵 抗 | 067511 | |
| R1104 | WP 034700 | CARBON RESISTOR (CHIP) | 43KΩJ | チ ッ プ 抵 抗 | 396548 | 01 |
| R1105 | AA X6281R | CARBON RESISTOR (CHIP) | 1K J | チ ッ プ 抵 抗 | 067495 | 01 |
| R1107 | AA X6282R | CARBON RESISTOR (CHIP) | 270K J | チ ッ プ 抵 抗 | 067528 | |
| * R1108 | WP 899200 | CARBON RESISTOR (CHIP) | 39K J | チ ッ プ 抵 抗 | 067540 | |
| * R1109 | WT 869600 | CARBON RESISTOR (CHIP) | 10K 1/16W F | チ ッ プ 抵 抗 | 067496 | |
| * R1110 | WQ 026300 | CARBON RESISTOR (CHIP) | 33K 1/10W F | チ ッ プ 抵 抗 | 418796 | |
| * R1111 | WT 870300 | CARBON RESISTOR (CHIP) | 27K 1/16W F | チ ッ プ 抵 抗 | 500383 | |
| R1112 | WJ 599500 | CARBON RESISTOR (CHIP) | 100 J | チ ッ プ 抵 抗 | 067493 | 01 |
| R1113 | AA X6281R | CARBON RESISTOR (CHIP) | 1K J | チ ッ プ 抵 抗 | 067495 | 01 |
| R1114 | AA X6288R | CARBON RESISTOR (CHIP) | 10K J | チ ッ プ 抵 抗 | 067497 | 03 |
| R1115 | AA X6288R | CARBON RESISTOR (CHIP) | 10K J | チ ッ プ 抵 抗 | 067497 | 03 |
| R1116 | AA X6292R | CARBON RESISTOR (CHIP) | 100K J | チ ッ プ 抵 抗 | 067499 | |
| R1117 | WJ 606800 | CARBON RESISTOR (CHIP) | 82K J | チ ッ プ 抵 抗 | 067564 | 01 |
| R1118 | AA X6382R | CARBON RESISTOR (CHIP) | 56K J | チ ッ プ 抵 抗 | 067554 | |
| R1119 | AA X6288R | CARBON RESISTOR (CHIP) | 10K J | チ ッ プ 抵 抗 | 067497 | 03 |
| R1120 | AA X6281R | CARBON RESISTOR (CHIP) | 1K J | チ ッ プ 抵 抗 | 067495 | 01 |
| R1121 | AA X6288R | CARBON RESISTOR (CHIP) | 10K J | チ ッ プ 抵 抗 | 067497 | 03 |
| R1122 | AA X6388R | CARBON RESISTOR (CHIP) | 4.7K J | チ ッ プ 抵 抗 | 067545 | |
| R1123 | AA X6288R | CARBON RESISTOR (CHIP) | 10K J | チ ッ プ 抵 抗 | 067497 | 03 |
| R1124 | AA X6288R | CARBON RESISTOR (CHIP) | 10K J | チ ッ プ 抵 抗 | 067497 | 03 |
| R1125 | AA X6280R | CARBON RESISTOR (CHIP) | 47K J | チ ッ プ 抵 抗 | 067546 | 01 |
| R1126 | WJ 606500 | CARBON RESISTOR (CHIP) | 2.7K J | チ ッ プ 抵 抗 | 067526 | 01 |
| R1127 | AA X6280R | CARBON RESISTOR (CHIP) | 47K J | チ ッ プ 抵 抗 | 067546 | 01 |
| R1128 | AA X6388R | CARBON RESISTOR (CHIP) | 4.7K J | チ ッ プ 抵 抗 | 067545 | |
| R1129 | AA X6288R | CARBON RESISTOR (CHIP) | 10K J | チ ッ プ 抵 抗 | 067497 | 03 |
| R1130 | WJ 606600 | CARBON RESISTOR (CHIP) | 330K J | チ ッ プ 抵 抗 | 067533 | 01 |
| R1131 | AA X6292R | CARBON RESISTOR (CHIP) | 100K J | チ ッ プ 抵 抗 | 067499 | |
| R1132 | AA X6315R | CARBON RESISTOR (CHIP) | 10 J | チ ッ プ 抵 抗 | 067492 | 01 |
| R1133 | AA X6292R | CARBON RESISTOR (CHIP) | 100K J | チ ッ プ 抵 抗 | 067499 | |
| R1134 | AA X6292R | CARBON RESISTOR (CHIP) | 100K J | チ ッ プ 抵 抗 | 067499 | |
| R1135 | AA X6288R | CARBON RESISTOR (CHIP) | 10K J | チ ッ プ 抵 抗 | 067497 | 03 |
| * R1137 | WR 958700 | CARBON RESISTOR | 8.2K 1/10W F | カ ー ボ ン 抵 抗 | 053568 | |
| * R1138 | WQ 026300 | CARBON RESISTOR (CHIP) | 33K 1/10W F | チ ッ プ 抵 抗 | 418796 | |
| * R1140 | WR 958700 | CARBON RESISTOR | 8.2K 1/10W F | カ ー ボ ン 抵 抗 | 053568 | |
| * R1141 | WQ 026300 | CARBON RESISTOR (CHIP) | 33K 1/10W F | チ ッ プ 抵 抗 | 418796 | |
| R1142 | AA X6280R | CARBON RESISTOR (CHIP) | 47K J | チ ッ プ 抵 抗 | 067546 | 01 |
| -1145 | AA X6280R | CARBON RESISTOR (CHIP) | 47K J | チ ッ プ 抵 抗 | 067546 | 01 |
| R1146 | AA X6388R | CARBON RESISTOR (CHIP) | 4.7K J | チ ッ プ 抵 抗 | 067545 | |
| R1147 | AA X6280R | CARBON RESISTOR (CHIP) | 47K J | チ ッ プ 抵 抗 | 067546 | 01 |
| -1150 | AA X6280R | CARBON RESISTOR (CHIP) | 47K J | チ ッ プ 抵 抗 | 067546 | 01 |
| R1151 | WJ 599900 | CARBON RESISTOR (CHIP) | 820 J | チ ッ プ 抵 抗 | 067561 | 01 |
| R1152 | WJ 599900 | CARBON RESISTOR (CHIP) | 820 J | チ ッ プ 抵 抗 | 067561 | 01 |
| R1153 | AA X6291R | CARBON RESISTOR (CHIP) | 15K J | チ ッ プ 抵 抗 | 067509 | |
| R1154 | AA X6310R | CARBON RESISTOR (CHIP) | 1.8K J | チ ッ プ 抵 抗 | 067514 | |
| * R1155 | WT 870000 | CARBON RESISTOR (CHIP) | 130K 1/16W J | チ ッ プ 抵 抗 | 391438 | |
| * R1156 | WT 869800 | CARBON RESISTOR (CHIP) | 390K 1/16W F | チ ッ プ 抵 抗 | 067541 | |
| R1157 | WJ 599900 | CARBON RESISTOR (CHIP) | 820 J | チ ッ プ 抵 抗 | 067561 | 01 |
| R1158 | WJ 599900 | CARBON RESISTOR (CHIP) | 820 J | チ ッ プ 抵 抗 | 067561 | 01 |
| R1160 | AA X6288R | CARBON RESISTOR (CHIP) | 10K J | チ ッ プ 抵 抗 | 067497 | 03 |
| R1201 | AA X6279R | CARBON RESISTOR (CHIP) | 1.5K J | チ ッ プ 抵 抗 | 067508 | |
| R1202 | AA X6286R | CARBON RESISTOR (CHIP) | 150K J | チ ッ プ 抵 抗 | 067511 | |
| R1203 | AA X6286R | CARBON RESISTOR (CHIP) | 150K J | チ ッ プ 抵 抗 | 067511 | |
| R1204 | WP 034700 | CARBON RESISTOR (CHIP) | 43KΩJ | チ ッ プ 抵 抗 | 396548 | 01 |

* : New Parts

RANK: Japan only

MOTHER A-D

| REF NO. | PART NO. | DESCRIPTION | 部 | 品 | 名 | REMARKS | QTY | RANK | | | |
|---------|----------|------------------------|--------------|---|---|---------|-----|------|--------|--------|--|
| R1205 | AAx6281R | CARBON RESISTOR (CHIP) | 1K J | チ | ッ | ブ | 抵 | 抗 | 067495 | 01 | |
| R1207 | AAx6282R | CARBON RESISTOR (CHIP) | 270K J | チ | ッ | ブ | 抵 | 抗 | 067528 | | |
| R1208 | WP899200 | CARBON RESISTOR (CHIP) | 39k J | チ | ッ | ブ | 抵 | 抗 | 067540 | | |
| * R1209 | WT869600 | CARBON RESISTOR (CHIP) | 10K 1/16W F | チ | ッ | ブ | 抵 | 抗 | 067496 | | |
| * R1210 | WQ026300 | CARBON RESISTOR (CHIP) | 33K 1/10W F | チ | ッ | ブ | 抵 | 抗 | 418796 | | |
| * R1211 | WT870300 | CARBON RESISTOR (CHIP) | 27K 1/16W F | チ | ッ | ブ | 抵 | 抗 | 500383 | | |
| R1212 | WJ599500 | CARBON RESISTOR (CHIP) | 100 J | チ | ッ | ブ | 抵 | 抗 | 067493 | 01 | |
| R1253 | AAx6291R | CARBON RESISTOR (CHIP) | 15K J | チ | ッ | ブ | 抵 | 抗 | 067509 | | |
| R1254 | AAx6310R | CARBON RESISTOR (CHIP) | 1.8K J | チ | ッ | ブ | 抵 | 抗 | 067514 | | |
| R1260 | AAx6288R | CARBON RESISTOR (CHIP) | 10K J | チ | ッ | ブ | 抵 | 抗 | 067497 | 03 | |
| R1301 | AAx6279R | CARBON RESISTOR (CHIP) | 1.5K J | チ | ッ | ブ | 抵 | 抗 | 067508 | | |
| R1302 | AAx6286R | CARBON RESISTOR (CHIP) | 150K J | チ | ッ | ブ | 抵 | 抗 | 067511 | | |
| R1303 | AAx6286R | CARBON RESISTOR (CHIP) | 150K J | チ | ッ | ブ | 抵 | 抗 | 067511 | | |
| R1304 | WP034700 | CARBON RESISTOR (CHIP) | 43KΩJ | チ | ッ | ブ | 抵 | 抗 | 396548 | 01 | |
| R1305 | AAx6281R | CARBON RESISTOR (CHIP) | 1K J | チ | ッ | ブ | 抵 | 抗 | 067495 | 01 | |
| R1307 | AAx6282R | CARBON RESISTOR (CHIP) | 270K J | チ | ッ | ブ | 抵 | 抗 | 067528 | | |
| * R1308 | WP899200 | CARBON RESISTOR (CHIP) | 39k J | チ | ッ | ブ | 抵 | 抗 | 067540 | | |
| * R1309 | WT869600 | CARBON RESISTOR (CHIP) | 10K 1/16W F | チ | ッ | ブ | 抵 | 抗 | 067496 | | |
| * R1310 | WQ026300 | CARBON RESISTOR (CHIP) | 33K 1/10W F | チ | ッ | ブ | 抵 | 抗 | 418796 | | |
| * R1311 | WT870300 | CARBON RESISTOR (CHIP) | 27K 1/16W F | チ | ッ | ブ | 抵 | 抗 | 500383 | | |
| R1312 | WJ599500 | CARBON RESISTOR (CHIP) | 100 J | チ | ッ | ブ | 抵 | 抗 | 067493 | 01 | |
| R1313 | AAx6281R | CARBON RESISTOR (CHIP) | 1K J | チ | ッ | ブ | 抵 | 抗 | 067495 | 01 | |
| R1314 | AAx6288R | CARBON RESISTOR (CHIP) | 10K J | チ | ッ | ブ | 抵 | 抗 | 067497 | 03 | |
| R1315 | AAx6288R | CARBON RESISTOR (CHIP) | 10K J | チ | ッ | ブ | 抵 | 抗 | 067497 | 03 | |
| R1316 | AAx6292R | CARBON RESISTOR (CHIP) | 100K J | チ | ッ | ブ | 抵 | 抗 | 067499 | | |
| R1317 | WJ606800 | CARBON RESISTOR (CHIP) | 82K J | チ | ッ | ブ | 抵 | 抗 | 067564 | 01 | |
| R1318 | AAx6382R | CARBON RESISTOR (CHIP) | 56K J | チ | ッ | ブ | 抵 | 抗 | 067554 | | |
| R1319 | AAx6288R | CARBON RESISTOR (CHIP) | 10K J | チ | ッ | ブ | 抵 | 抗 | 067497 | 03 | |
| R1320 | AAx6281R | CARBON RESISTOR (CHIP) | 1K J | チ | ッ | ブ | 抵 | 抗 | 067495 | 01 | |
| R1321 | AAx6288R | CARBON RESISTOR (CHIP) | 10K J | チ | ッ | ブ | 抵 | 抗 | 067497 | 03 | |
| R1322 | AAx6388R | CARBON RESISTOR (CHIP) | 4.7K J | チ | ッ | ブ | 抵 | 抗 | 067545 | | |
| R1323 | AAx6288R | CARBON RESISTOR (CHIP) | 10K J | チ | ッ | ブ | 抵 | 抗 | 067497 | 03 | |
| R1324 | AAx6288R | CARBON RESISTOR (CHIP) | 10K J | チ | ッ | ブ | 抵 | 抗 | 067497 | 03 | |
| R1325 | AAx6280R | CARBON RESISTOR (CHIP) | 47K J | チ | ッ | ブ | 抵 | 抗 | 067546 | 01 | |
| R1326 | WJ606500 | CARBON RESISTOR (CHIP) | 2.7K J | チ | ッ | ブ | 抵 | 抗 | 067526 | 01 | |
| R1327 | AAx6280R | CARBON RESISTOR (CHIP) | 47K J | チ | ッ | ブ | 抵 | 抗 | 067546 | 01 | |
| R1328 | AAx6388R | CARBON RESISTOR (CHIP) | 4.7K J | チ | ッ | ブ | 抵 | 抗 | 067545 | | |
| R1329 | AAx6288R | CARBON RESISTOR (CHIP) | 10K J | チ | ッ | ブ | 抵 | 抗 | 067497 | 03 | |
| R1330 | WJ606600 | CARBON RESISTOR (CHIP) | 330K J | チ | ッ | ブ | 抵 | 抗 | 067533 | 01 | |
| R1331 | AAx6292R | CARBON RESISTOR (CHIP) | 100K J | チ | ッ | ブ | 抵 | 抗 | 067499 | | |
| R1332 | AAx6315R | CARBON RESISTOR (CHIP) | 10 J | チ | ッ | ブ | 抵 | 抗 | 067492 | 01 | |
| R1333 | AAx6292R | CARBON RESISTOR (CHIP) | 100K J | チ | ッ | ブ | 抵 | 抗 | 067499 | | |
| R1334 | AAx6292R | CARBON RESISTOR (CHIP) | 100K J | チ | ッ | ブ | 抵 | 抗 | 067499 | | |
| R1335 | AAx6288R | CARBON RESISTOR (CHIP) | 10K J | チ | ッ | ブ | 抵 | 抗 | 067497 | 03 | |
| * R1337 | WR958700 | CARBON RESISTOR | 8.2K 1/10W F | カ | - | ポ | ン | 抵 | 抗 | 053568 | |
| * R1338 | WQ026300 | CARBON RESISTOR (CHIP) | 33K 1/10W F | チ | ッ | ブ | 抵 | 抗 | 418796 | | |
| * R1340 | WR958700 | CARBON RESISTOR | 8.2K 1/10W F | カ | - | ポ | ン | 抵 | 抗 | 053568 | |
| * R1341 | WQ026300 | CARBON RESISTOR (CHIP) | 33K 1/10W F | チ | ッ | ブ | 抵 | 抗 | 418796 | | |
| R1347 | AAx6280R | CARBON RESISTOR (CHIP) | 47K J | チ | ッ | ブ | 抵 | 抗 | 067546 | 01 | |
| -1350 | AAx6280R | CARBON RESISTOR (CHIP) | 47K J | チ | ッ | ブ | 抵 | 抗 | 067546 | 01 | |
| R1351 | WJ599900 | CARBON RESISTOR (CHIP) | 820 J | チ | ッ | ブ | 抵 | 抗 | 067561 | 01 | |
| R1352 | WJ599900 | CARBON RESISTOR (CHIP) | 820 J | チ | ッ | ブ | 抵 | 抗 | 067561 | 01 | |
| R1353 | AAx6291R | CARBON RESISTOR (CHIP) | 15K J | チ | ッ | ブ | 抵 | 抗 | 067509 | | |
| R1354 | AAx6310R | CARBON RESISTOR (CHIP) | 1.8K J | チ | ッ | ブ | 抵 | 抗 | 067514 | | |
| * R1355 | WT870000 | CARBON RESISTOR (CHIP) | 130K 1/16W J | チ | ッ | ブ | 抵 | 抗 | 391438 | | |
| * R1356 | WT869800 | CARBON RESISTOR (CHIP) | 390K 1/16W F | チ | ッ | ブ | 抵 | 抗 | 067541 | | |
| R1357 | WJ599900 | CARBON RESISTOR (CHIP) | 820 J | チ | ッ | ブ | 抵 | 抗 | 067561 | 01 | |
| R1358 | WJ599900 | CARBON RESISTOR (CHIP) | 820 J | チ | ッ | ブ | 抵 | 抗 | 067561 | 01 | |
| R1360 | AAx6288R | CARBON RESISTOR (CHIP) | 10K J | チ | ッ | ブ | 抵 | 抗 | 067497 | 03 | |
| R1401 | AAx6279R | CARBON RESISTOR (CHIP) | 1.5K J | チ | ッ | ブ | 抵 | 抗 | 067508 | | |
| R1402 | AAx6286R | CARBON RESISTOR (CHIP) | 150K J | チ | ッ | ブ | 抵 | 抗 | 067511 | | |
| R1403 | AAx6286R | CARBON RESISTOR (CHIP) | 150K J | チ | ッ | ブ | 抵 | 抗 | 067511 | | |
| R1404 | WP034700 | CARBON RESISTOR (CHIP) | 43KΩJ | チ | ッ | ブ | 抵 | 抗 | 396548 | 01 | |
| R1405 | AAx6281R | CARBON RESISTOR (CHIP) | 1K J | チ | ッ | ブ | 抵 | 抗 | 067495 | 01 | |
| R1407 | AAx6282R | CARBON RESISTOR (CHIP) | 270K J | チ | ッ | ブ | 抵 | 抗 | 067528 | | |
| * R1408 | WP899200 | CARBON RESISTOR (CHIP) | 39k J | チ | ッ | ブ | 抵 | 抗 | 067540 | | |
| * R1409 | WT869600 | CARBON RESISTOR (CHIP) | 10K 1/16W F | チ | ッ | ブ | 抵 | 抗 | 067496 | | |
| * R1410 | WQ026300 | CARBON RESISTOR (CHIP) | 33K 1/10W F | チ | ッ | ブ | 抵 | 抗 | 418796 | | |
| * R1411 | WT870300 | CARBON RESISTOR (CHIP) | 27K 1/16W F | チ | ッ | ブ | 抵 | 抗 | 500383 | | |
| R1412 | WJ599500 | CARBON RESISTOR (CHIP) | 100 J | チ | ッ | ブ | 抵 | 抗 | 067493 | 01 | |

* : New Parts

RANK: Japan only

MOTHER A-D and MOTHER E-H

| REF NO. | PART NO. | DESCRIPTION | 部 品 名 | REMARKS | QTY | RANK |
|---------|-----------|--------------------------|----------------|---------------|--------|------|
| R1453 | AA X6291R | CARBON RESISTOR (CHIP) | 15K J | チ ッ プ 抵 抗 | 067509 | |
| R1454 | AA X6310R | CARBON RESISTOR (CHIP) | 1.8K J | チ ッ プ 抵 抗 | 067514 | |
| R1460 | AA X6288R | CARBON RESISTOR (CHIP) | 10K J | チ ッ プ 抵 抗 | 067497 | 03 |
| * T1101 | WR984100 | COIL | OD2215-701B | コ イ ル | 493953 | |
| * T1301 | WR984100 | COIL | OD2215-701B | コ イ ル | 493953 | |
| TR1101 | AA X6404R | FET | 2SK246 BL (-F) | F E T | 407813 | 03 |
| TR1201 | AA X6404R | FET | 2SK246 BL (-F) | F E T | 407813 | 03 |
| TR1301 | AA X6404R | FET | 2SK246 BL (-F) | F E T | 407813 | 03 |
| TR1401 | AA X6404R | FET | 2SK246 BL (-F) | F E T | 407813 | 03 |
| * C1 | WR986100 | CIRCUIT BOARD | MOTHER E-H | MOTHER E-Hシート | 498459 | |
| * C2 | WR966000 | CONNECTOR ASSEMBLY | VH 2P-B | 束 線 | 490159 | |
| C1 | WJ592200 | CERAMIC CAPACITOR (CHIP) | 0.1uF 25V K | チ ッ プ セ ラ コ ン | 374404 | 01 |
| C2 | WJ592200 | CERAMIC CAPACITOR (CHIP) | 0.1uF 25V K | チ ッ プ セ ラ コ ン | 374404 | 01 |
| C3 | AA X6297R | ELECTROLYTIC CAP. (CHIP) | 47uF 25V | チ ッ プ ケ ミ コ ン | 412426 | |
| C4 | WM929300 | CERAMIC CAPACITOR (CHIP) | 220pF 50V J | チ ッ プ セ ラ コ ン | 065484 | 01 |
| C5 | WM929300 | CERAMIC CAPACITOR (CHIP) | 220pF 50V J | チ ッ プ セ ラ コ ン | 065484 | 01 |
| C6 | AA X6273R | CERAMIC CAPACITOR (CHIP) | 0.01uF 50V K | チ ッ プ セ ラ コ ン | 368353 | |
| C1501 | AA X6299R | ELECTROLYTIC CAP. (CHIP) | 10uF 35V | チ ッ プ ケ ミ コ ン | 412428 | 02 |
| C1502 | AA X6299R | ELECTROLYTIC CAP. (CHIP) | 10uF 35V | チ ッ プ ケ ミ コ ン | 412428 | 02 |
| C1503 | AA X6297R | ELECTROLYTIC CAP. (CHIP) | 47uF 25V | チ ッ プ ケ ミ コ ン | 412426 | |
| C1504 | AA X6299R | ELECTROLYTIC CAP. (CHIP) | 10uF 35V | チ ッ プ ケ ミ コ ン | 412428 | 02 |
| C1506 | AA X6182R | CERAMIC CAPACITOR (CHIP) | 10pF 50V J | チ ッ プ セ ラ コ ン | 065472 | |
| C1507 | WJ592200 | CERAMIC CAPACITOR (CHIP) | 0.1uF 25V K | チ ッ プ セ ラ コ ン | 374404 | 01 |
| -1509 | WJ592200 | CERAMIC CAPACITOR (CHIP) | 0.1uF 25V K | チ ッ プ セ ラ コ ン | 374404 | 01 |
| C1511 | WJ590400 | ELECTROLYTIC CAP. (CHIP) | 100uF 16V | チ ッ プ ケ ミ コ ン | 066076 | 03 |
| C1512 | AA X6273R | CERAMIC CAPACITOR (CHIP) | 0.01uF 50V K | チ ッ プ セ ラ コ ン | 368353 | |
| C1513 | AA X6273R | CERAMIC CAPACITOR (CHIP) | 0.01uF 50V K | チ ッ プ セ ラ コ ン | 368353 | |
| C1514 | WJ590400 | ELECTROLYTIC CAP. (CHIP) | 100uF 16V | チ ッ プ ケ ミ コ ン | 066076 | 03 |
| C1515 | AA X6273R | CERAMIC CAPACITOR (CHIP) | 0.01uF 50V K | チ ッ プ セ ラ コ ン | 368353 | |
| C1516 | WJ592200 | CERAMIC CAPACITOR (CHIP) | 0.1uF 25V K | チ ッ プ セ ラ コ ン | 374404 | 01 |
| -1518 | WJ592200 | CERAMIC CAPACITOR (CHIP) | 0.1uF 25V K | チ ッ プ セ ラ コ ン | 374404 | 01 |
| C1519 | AA X6302R | CERAMIC CAPACITOR (CHIP) | 1000pF K | チ ッ プ セ ラ コ ン | 065501 | |
| -1521 | AA X6302R | CERAMIC CAPACITOR (CHIP) | 1000pF K | チ ッ プ セ ラ コ ン | 065501 | |
| C1523 | WJ592200 | CERAMIC CAPACITOR (CHIP) | 0.1uF 25V K | チ ッ プ セ ラ コ ン | 374404 | 01 |
| C1524 | WJ592100 | CERAMIC CAPACITOR (CHIP) | 0.47uF K | チ ッ プ セ ラ コ ン | 334335 | 03 |
| C1525 | WJ592200 | CERAMIC CAPACITOR (CHIP) | 0.1uF 25V K | チ ッ プ セ ラ コ ン | 374404 | 01 |
| -1528 | WJ592200 | CERAMIC CAPACITOR (CHIP) | 0.1uF 25V K | チ ッ プ セ ラ コ ン | 374404 | 01 |
| C1600 | WJ592200 | CERAMIC CAPACITOR (CHIP) | 0.1uF 25V K | チ ッ プ セ ラ コ ン | 374404 | 01 |
| C1601 | AA X6299R | ELECTROLYTIC CAP. (CHIP) | 10uF 35V | チ ッ プ ケ ミ コ ン | 412428 | 02 |
| C1602 | AA X6299R | ELECTROLYTIC CAP. (CHIP) | 10uF 35V | チ ッ プ ケ ミ コ ン | 412428 | 02 |
| C1603 | AA X6297R | ELECTROLYTIC CAP. (CHIP) | 47uF 25V | チ ッ プ ケ ミ コ ン | 412426 | |
| C1604 | AA X6299R | ELECTROLYTIC CAP. (CHIP) | 10uF 35V | チ ッ プ ケ ミ コ ン | 412428 | 02 |
| C1606 | AA X6182R | CERAMIC CAPACITOR (CHIP) | 10pF 50V J | チ ッ プ セ ラ コ ン | 065472 | |
| C1618 | WJ592200 | CERAMIC CAPACITOR (CHIP) | 0.1uF 25V K | チ ッ プ セ ラ コ ン | 374404 | 01 |
| C1621 | AA X6302R | CERAMIC CAPACITOR (CHIP) | 1000pF K | チ ッ プ セ ラ コ ン | 065501 | |
| C1623 | WJ592200 | CERAMIC CAPACITOR (CHIP) | 0.1uF 25V K | チ ッ プ セ ラ コ ン | 374404 | 01 |
| C1701 | AA X6299R | ELECTROLYTIC CAP. (CHIP) | 10uF 35V | チ ッ プ ケ ミ コ ン | 412428 | 02 |
| C1702 | AA X6299R | ELECTROLYTIC CAP. (CHIP) | 10uF 35V | チ ッ プ ケ ミ コ ン | 412428 | 02 |
| C1703 | AA X6297R | ELECTROLYTIC CAP. (CHIP) | 47uF 25V | チ ッ プ ケ ミ コ ン | 412426 | |
| C1704 | AA X6299R | ELECTROLYTIC CAP. (CHIP) | 10uF 35V | チ ッ プ ケ ミ コ ン | 412428 | 02 |
| C1706 | AA X6182R | CERAMIC CAPACITOR (CHIP) | 10pF 50V J | チ ッ プ セ ラ コ ン | 065472 | |
| C1707 | WJ592200 | CERAMIC CAPACITOR (CHIP) | 0.1uF 25V K | チ ッ プ セ ラ コ ン | 374404 | 01 |
| -1709 | WJ592200 | CERAMIC CAPACITOR (CHIP) | 0.1uF 25V K | チ ッ プ セ ラ コ ン | 374404 | 01 |
| C1711 | WJ590400 | ELECTROLYTIC CAP. (CHIP) | 100uF 16V | チ ッ プ ケ ミ コ ン | 066076 | 03 |
| C1712 | AA X6273R | CERAMIC CAPACITOR (CHIP) | 0.01uF 50V K | チ ッ プ セ ラ コ ン | 368353 | |
| C1713 | AA X6273R | CERAMIC CAPACITOR (CHIP) | 0.01uF 50V K | チ ッ プ セ ラ コ ン | 368353 | |
| C1714 | WJ590400 | ELECTROLYTIC CAP. (CHIP) | 100uF 16V | チ ッ プ ケ ミ コ ン | 066076 | 03 |
| C1715 | AA X6273R | CERAMIC CAPACITOR (CHIP) | 0.01uF 50V K | チ ッ プ セ ラ コ ン | 368353 | |
| C1718 | WJ592200 | CERAMIC CAPACITOR (CHIP) | 0.1uF 25V K | チ ッ プ セ ラ コ ン | 374404 | 01 |
| C1720 | AA X6302R | CERAMIC CAPACITOR (CHIP) | 1000pF K | チ ッ プ セ ラ コ ン | 065501 | |
| C1721 | AA X6302R | CERAMIC CAPACITOR (CHIP) | 1000pF K | チ ッ プ セ ラ コ ン | 065501 | |
| C1723 | WJ592200 | CERAMIC CAPACITOR (CHIP) | 0.1uF 25V K | チ ッ プ セ ラ コ ン | 374404 | 01 |
| C1724 | WJ592100 | CERAMIC CAPACITOR (CHIP) | 0.47uF K | チ ッ プ セ ラ コ ン | 334335 | 03 |
| C1800 | WJ592200 | CERAMIC CAPACITOR (CHIP) | 0.1uF 25V K | チ ッ プ セ ラ コ ン | 374404 | 01 |
| C1801 | AA X6299R | ELECTROLYTIC CAP. (CHIP) | 10uF 35V | チ ッ プ ケ ミ コ ン | 412428 | 02 |
| C1802 | AA X6299R | ELECTROLYTIC CAP. (CHIP) | 10uF 35V | チ ッ プ ケ ミ コ ン | 412428 | 02 |
| C1803 | AA X6297R | ELECTROLYTIC CAP. (CHIP) | 47uF 25V | チ ッ プ ケ ミ コ ン | 412426 | |
| C1804 | AA X6299R | ELECTROLYTIC CAP. (CHIP) | 10uF 35V | チ ッ プ ケ ミ コ ン | 412428 | 02 |
| C1806 | AA X6182R | CERAMIC CAPACITOR (CHIP) | 10pF 50V J | チ ッ プ セ ラ コ ン | 065472 | |

* : New Parts

RANK: Japan only

MOTHER E-H

| REF NO. | PART NO. | DESCRIPTION | 部 品 名 | REMARKS | QTY | RANK |
|---------|----------|--------------------------|-------------------------|-----------------------|------------------|------|
| C1818 | WJ592200 | CERAMIC CAPACITOR (CHIP) | 0.1uF 25V K | チ ッ プ セ ラ コ ン | 374404 | 01 |
| C1821 | AA6302R | CERAMIC CAPACITOR (CHIP) | 1000pF K | チ ッ プ セ ラ コ ン | 065501 | |
| C1823 | WJ592200 | CERAMIC CAPACITOR (CHIP) | 0.1uF 25V K | チ ッ プ セ ラ コ ン | 374404 | 01 |
| CN59 | -- | CONNECTOR BASE POST | B3B-ZR-SM4-TF | コ ネ ク タ ー ベ ー ス ポ ス ト | 044944 (WR96220) | |
| CN1501 | WJ593800 | CONNECTOR BASE POST | 11P 53290-1180 LF | コ ネ ク タ 1 1 P | 444918 | 07 |
| CN1502 | WJ593800 | CONNECTOR BASE POST | 11P 53290-1180 LF | コ ネ ク タ 1 1 P | 444918 | 07 |
| CN1503 | WR963100 | CONNECTOR BASE POST | 11P GPHA102-1102A156 LF | コ ネ ク タ ー ベ ー ス ポ ス ト | 484435 | |
| CN1504 | WR962700 | CONNECTOR BASE POST | 8P-VH | コ ネ ク タ ー ベ ー ス ポ ス ト | 338865 | |
| CN1505 | WR961300 | CONNECTOR BASE POST | 2P B02B-PH-SM4-TB | コ ネ ク タ ー ベ ー ス ポ ス ト | 081686 | |
| CN1506 | -- | CONNECTOR BASE POST | 12P B12B-ZR-SM4-R-TF | コ ネ ク タ ー ベ ー ス ポ ス ト | 484949 (WR96250) | |
| CN1507 | -- | CONNECTOR BASE POST | 10P B10B-PH-SM4-R-TB | コ ネ ク タ ー ベ ー ス ポ ス ト | 484953 (WR96190) | |
| CN1601 | WJ593800 | CONNECTOR BASE POST | 11P 53290-1180 LF | コ ネ ク タ 1 1 P | 444918 | 07 |
| CN1602 | WJ593800 | CONNECTOR BASE POST | 11P 53290-1180 LF | コ ネ ク タ 1 1 P | 444918 | 07 |
| CN1701 | WJ593800 | CONNECTOR BASE POST | 11P 53290-1180 LF | コ ネ ク タ 1 1 P | 444918 | 07 |
| CN1702 | WJ593800 | CONNECTOR BASE POST | 11P 53290-1180 LF | コ ネ ク タ 1 1 P | 444918 | 07 |
| CN1703 | WR963100 | CONNECTOR BASE POST | 11P GPHA102-1102A156 LF | コ ネ ク タ ー ベ ー ス ポ ス ト | 484435 | |
| CN1801 | WJ593800 | CONNECTOR BASE POST | 11P 53290-1180 LF | コ ネ ク タ 1 1 P | 444918 | 07 |
| CN1802 | WJ593800 | CONNECTOR BASE POST | 11P 53290-1180 LF | コ ネ ク タ 1 1 P | 444918 | 07 |
| D1 | XX698570 | DIODE (CHIP) | 1SS355 TE-17 | ダ イ オ ー ド | 069444 | 01 |
| D2 | XX698570 | DIODE (CHIP) | 1SS355 TE-17 | ダ イ オ ー ド | 069444 | 01 |
| D1501 | WT869300 | ZENER DIODE | UDZS6.2B 6.2V | ツ ェ ナ ー ダ イ オ ー ド | 044872 | |
| D1502 | XX698570 | DIODE (CHIP) | 1SS355 TE-17 | ダ イ オ ー ド | 069444 | 01 |
| D1503 | XX698570 | DIODE (CHIP) | 1SS355 TE-17 | ダ イ オ ー ド | 069444 | 01 |
| D1509 | WP899000 | ZENER DIODE | UDZS5.6B TE-17 | ツ ェ ナ ー ダ イ オ ー ド | 049039 | |
| D1601 | WT869300 | ZENER DIODE | UDZS6.2B 6.2V | ツ ェ ナ ー ダ イ オ ー ド | 044872 | |
| D1606 | XX698570 | DIODE (CHIP) | 1SS355 TE-17 | ダ イ オ ー ド | 069444 | 01 |
| D1609 | WP899000 | ZENER DIODE | UDZS5.6B TE-17 | ツ ェ ナ ー ダ イ オ ー ド | 049039 | |
| D1701 | WT869300 | ZENER DIODE | UDZS6.2B 6.2V | ツ ェ ナ ー ダ イ オ ー ド | 044872 | |
| D1702 | XX698570 | DIODE (CHIP) | 1SS355 TE-17 | ダ イ オ ー ド | 069444 | 01 |
| D1706 | XX698570 | DIODE (CHIP) | 1SS355 TE-17 | ダ イ オ ー ド | 069444 | 01 |
| D1709 | WP899000 | ZENER DIODE | UDZS5.6B TE-17 | ツ ェ ナ ー ダ イ オ ー ド | 049039 | |
| D1801 | WT869300 | ZENER DIODE | UDZS6.2B 6.2V | ツ ェ ナ ー ダ イ オ ー ド | 044872 | |
| D1806 | XX698570 | DIODE (CHIP) | 1SS355 TE-17 | ダ イ オ ー ド | 069444 | 01 |
| D1809 | WP899000 | ZENER DIODE | UDZS5.6B TE-17 | ツ ェ ナ ー ダ イ オ ー ド | 049039 | |
| EP1500 | XX698880 | LUG TERMINAL | MET37-0001 | ラ グ 端 子 | 075878 | 02 |
| EP1501 | XX698880 | LUG TERMINAL | MET37-0001 | ラ グ 端 子 | 075878 | 02 |
| IC1 | YC319A00 | IC | LM317EMPX/NOPB | レギュレーター | 434806 | |
| IC2 | YC320A00 | IC | TC74VFX04FK | インバーター | 496236 | |
| IC1501 | AA6275R | IC | NJM2068M-D TE1 | OP AMP | 070170 | 04 |
| IC1701 | AA6275R | IC | NJM2068M-D TE1 | OP AMP | 070170 | 04 |
| L10 | -- | FERRITE BEAD | ZBF503M-007A-01 | フェライトビーズ | 413258 (WR96850) | |
| Q1501 | AA6277R | TRANSISTOR (CHIP) | KRA102S-RTK/P T LF | トランジスタ | 402267 | 01 |
| Q1502 | WR970400 | TRANSISTOR | 2SC5938A | トランジスタ | 484462 | |
| Q1503 | AA45980 | TRANSISTOR (CHIP) | 2SC2412K QRS T146 | トランジスタ | 068775 | 01 |
| Q1504 | AA45980 | TRANSISTOR (CHIP) | 2SC2412K QRS T146 | トランジスタ | 068775 | 01 |
| Q1506 | AA6371R | TRANSISTOR (CHIP) | 2SA1037AK QRS T146 | トランジスタ | 068590 | 01 |
| Q1507 | AA45980 | TRANSISTOR (CHIP) | 2SC2412K QRS T146 | トランジスタ | 068775 | 01 |
| Q1508 | AA6371R | TRANSISTOR (CHIP) | 2SA1037AK QRS T146 | トランジスタ | 068590 | 01 |
| Q1509 | AA6371R | TRANSISTOR (CHIP) | 2SA1037AK QRS T146 | トランジスタ | 068590 | 01 |
| Q1510 | AA45980 | TRANSISTOR (CHIP) | 2SC2412K QRS T146 | トランジスタ | 068775 | 01 |
| Q1511 | WJ613900 | DIGITAL TRANSISTOR | DTC144EKA T146 | デジタルトランジスタ | 069311 | 01 |
| Q1512 | AA45980 | TRANSISTOR (CHIP) | 2SC2412K QRS T146 | トランジスタ | 068775 | 01 |
| Q1513 | AA6277R | TRANSISTOR (CHIP) | KRA102S-RTK/P T LF | トランジスタ | 402267 | 01 |
| Q1514 | WR970400 | TRANSISTOR | 2SC5938A | トランジスタ | 484462 | |
| Q1515 | AA6277R | TRANSISTOR (CHIP) | KRA102S-RTK/P T LF | トランジスタ | 402267 | 01 |
| Q1516 | WR970400 | TRANSISTOR | 2SC5938A | トランジスタ | 484462 | |
| Q1517 | AA6371R | TRANSISTOR (CHIP) | 2SA1037AK QRS T146 | トランジスタ | 068590 | 01 |
| Q1518 | AA6371R | TRANSISTOR (CHIP) | 2SA1037AK QRS T146 | トランジスタ | 068590 | 01 |
| Q1519 | WR970400 | TRANSISTOR | 2SC5938A | トランジスタ | 484462 | |
| Q1520 | WJ613900 | DIGITAL TRANSISTOR | DTC144EKA T146 | デジタルトランジスタ | 069311 | 01 |
| Q1521 | WJ613900 | DIGITAL TRANSISTOR | DTC144EKA T146 | デジタルトランジスタ | 069311 | 01 |
| Q1601 | AA6277R | TRANSISTOR (CHIP) | KRA102S-RTK/P T LF | トランジスタ | 402267 | 01 |
| Q1602 | WR970400 | TRANSISTOR | 2SC5938A | トランジスタ | 484462 | |
| Q1620 | WJ613900 | DIGITAL TRANSISTOR | DTC144EKA T146 | デジタルトランジスタ | 069311 | 01 |
| Q1701 | AA6277R | TRANSISTOR (CHIP) | KRA102S-RTK/P T LF | トランジスタ | 402267 | 01 |
| Q1702 | WR970400 | TRANSISTOR | 2SC5938A | トランジスタ | 484462 | |
| Q1703 | AA45980 | TRANSISTOR (CHIP) | 2SC2412K QRS T146 | トランジスタ | 068775 | 01 |
| Q1705 | AA45980 | TRANSISTOR (CHIP) | 2SC2412K QRS T146 | トランジスタ | 068775 | 01 |
| Q1706 | AA6371R | TRANSISTOR (CHIP) | 2SA1037AK QRS T146 | トランジスタ | 068590 | 01 |
| Q1707 | AA45980 | TRANSISTOR (CHIP) | 2SC2412K QRS T146 | トランジスタ | 068775 | 01 |

* : New Parts

RANK: Japan only

MOTHER E-H

| REF NO. | PART NO. | DESCRIPTION | 部 品 名 | REMARKS | QTY | RANK |
|---------|-----------|------------------------|--------------------|---------------------|--------|------|
| Q1708 | AA X6371R | TRANSISTOR (CHIP) | 2SA1037AK QRS T146 | ト ラ ン ジ ス タ | 068590 | 01 |
| Q1709 | AA X6371R | TRANSISTOR (CHIP) | 2SA1037AK QRS T146 | ト ラ ン ジ ス タ | 068590 | 01 |
| Q1710 | AA X45980 | TRANSISTOR (CHIP) | 2SC2412K QRS T146 | ト ラ ン ジ ス タ | 068775 | 01 |
| Q1711 | WJ613900 | DIGITAL TRANSISTOR | DTC144EKA T146 | デ ジ タ ル ト ラ ン ジ ス タ | 069311 | 01 |
| Q1712 | AA X45980 | TRANSISTOR (CHIP) | 2SC2412K QRS T146 | ト ラ ン ジ ス タ | 068775 | 01 |
| * Q1713 | AA X6277R | TRANSISTOR (CHIP) | KRA102S-RTK/P T LF | ト ラ ン ジ ス タ | 402267 | 01 |
| Q1714 | WR970400 | TRANSISTOR | 2SC5938A | ト ラ ン ジ ス タ | 484462 | |
| Q1715 | AA X6277R | TRANSISTOR (CHIP) | KRA102S-RTK/P T LF | ト ラ ン ジ ス タ | 402267 | 01 |
| * Q1716 | WR970400 | TRANSISTOR | 2SC5938A | ト ラ ン ジ ス タ | 484462 | |
| Q1718 | AA X6371R | TRANSISTOR (CHIP) | 2SA1037AK QRS T146 | ト ラ ン ジ ス タ | 068590 | 01 |
| * Q1719 | WR970400 | TRANSISTOR | 2SC5938A | ト ラ ン ジ ス タ | 484462 | |
| Q1720 | WJ613900 | DIGITAL TRANSISTOR | DTC144EKA T146 | デ ジ タ ル ト ラ ン ジ ス タ | 069311 | 01 |
| Q1721 | WJ613900 | DIGITAL TRANSISTOR | DTC144EKA T146 | デ ジ タ ル ト ラ ン ジ ス タ | 069311 | 01 |
| Q1801 | AA X6277R | TRANSISTOR (CHIP) | KRA102S-RTK/P T LF | ト ラ ン ジ ス タ | 402267 | 01 |
| * Q1802 | WR970400 | TRANSISTOR | 2SC5938A | ト ラ ン ジ ス タ | 484462 | |
| Q1820 | WJ613900 | DIGITAL TRANSISTOR | DTC144EKA T146 | デ ジ タ ル ト ラ ン ジ ス タ | 069311 | 01 |
| * R1 | WT870400 | CARBON RESISTOR (CHIP) | 240 1/16W F | チ ッ プ 抵 抗 | 500793 | |
| * R2 | WT869700 | CARBON RESISTOR (CHIP) | 270 1/16W F | チ ッ プ 抵 抗 | 067524 | |
| R3 | AA X6312R | CARBON RESISTOR (CHIP) | 1M J | チ ッ プ 抵 抗 | 067500 | |
| R4 | AA X6287R | CARBON RESISTOR (CHIP) | 5.6K J | チ ッ プ 抵 抗 | 067553 | |
| R5 | AA X6409R | CARBON RESISTOR (CHIP) | 0.00 J | チ ッ プ 抵 抗 | 067491 | 01 |
| R1501 | AA X6279R | CARBON RESISTOR (CHIP) | 1.5K J | チ ッ プ 抵 抗 | 067508 | |
| R1502 | AA X6286R | CARBON RESISTOR (CHIP) | 150K J | チ ッ プ 抵 抗 | 067511 | |
| R1503 | AA X6286R | CARBON RESISTOR (CHIP) | 150K J | チ ッ プ 抵 抗 | 067511 | |
| R1504 | WP034700 | CARBON RESISTOR (CHIP) | 43K J | チ ッ プ 抵 抗 | 396548 | 01 |
| R1505 | AA X6281R | CARBON RESISTOR (CHIP) | 1K J | チ ッ プ 抵 抗 | 067495 | 01 |
| R1507 | AA X6282R | CARBON RESISTOR (CHIP) | 270K J | チ ッ プ 抵 抗 | 067528 | |
| * R1508 | WP899200 | CARBON RESISTOR (CHIP) | 39k J | チ ッ プ 抵 抗 | 067540 | |
| * R1509 | WT869600 | CARBON RESISTOR (CHIP) | 10K 1/16W F | チ ッ プ 抵 抗 | 067496 | |
| * R1510 | WQ026300 | CARBON RESISTOR (CHIP) | 33K 1/10W F | チ ッ プ 抵 抗 | 418796 | |
| * R1511 | WT870300 | CARBON RESISTOR (CHIP) | 27K 1/16W F | チ ッ プ 抵 抗 | 500383 | |
| R1512 | WJ599500 | CARBON RESISTOR (CHIP) | 100 J | チ ッ プ 抵 抗 | 067493 | 01 |
| R1513 | AA X6281R | CARBON RESISTOR (CHIP) | 1K J | チ ッ プ 抵 抗 | 067495 | 01 |
| R1514 | AA X6288R | CARBON RESISTOR (CHIP) | 10K J | チ ッ プ 抵 抗 | 067497 | 03 |
| R1515 | AA X6288R | CARBON RESISTOR (CHIP) | 10K J | チ ッ プ 抵 抗 | 067497 | 03 |
| R1516 | AA X6292R | CARBON RESISTOR (CHIP) | 100K J | チ ッ プ 抵 抗 | 067499 | |
| R1517 | WJ606800 | CARBON RESISTOR (CHIP) | 82K J | チ ッ プ 抵 抗 | 067564 | 01 |
| R1518 | AA X6382R | CARBON RESISTOR (CHIP) | 56K J | チ ッ プ 抵 抗 | 067554 | |
| R1519 | AA X6288R | CARBON RESISTOR (CHIP) | 10K J | チ ッ プ 抵 抗 | 067497 | 03 |
| R1520 | AA X6281R | CARBON RESISTOR (CHIP) | 1K J | チ ッ プ 抵 抗 | 067495 | 01 |
| R1521 | AA X6288R | CARBON RESISTOR (CHIP) | 10K J | チ ッ プ 抵 抗 | 067497 | 03 |
| R1522 | AA X6388R | CARBON RESISTOR (CHIP) | 4.7K J | チ ッ プ 抵 抗 | 067545 | |
| R1523 | AA X6288R | CARBON RESISTOR (CHIP) | 10K J | チ ッ プ 抵 抗 | 067497 | 03 |
| R1524 | AA X6288R | CARBON RESISTOR (CHIP) | 10K J | チ ッ プ 抵 抗 | 067497 | 03 |
| R1525 | AA X6280R | CARBON RESISTOR (CHIP) | 47K J | チ ッ プ 抵 抗 | 067546 | 01 |
| R1526 | WJ606500 | CARBON RESISTOR (CHIP) | 2.7K J | チ ッ プ 抵 抗 | 067526 | 01 |
| R1527 | AA X6280R | CARBON RESISTOR (CHIP) | 47K J | チ ッ プ 抵 抗 | 067546 | 01 |
| R1528 | AA X6388R | CARBON RESISTOR (CHIP) | 4.7K J | チ ッ プ 抵 抗 | 067545 | |
| R1529 | AA X6288R | CARBON RESISTOR (CHIP) | 10K J | チ ッ プ 抵 抗 | 067497 | 03 |
| R1530 | WJ606600 | CARBON RESISTOR (CHIP) | 330K J | チ ッ プ 抵 抗 | 067533 | 01 |
| R1531 | AA X6292R | CARBON RESISTOR (CHIP) | 100K J | チ ッ プ 抵 抗 | 067499 | |
| R1532 | AA X6315R | CARBON RESISTOR (CHIP) | 10 J | チ ッ プ 抵 抗 | 067492 | 01 |
| R1533 | AA X6292R | CARBON RESISTOR (CHIP) | 100K J | チ ッ プ 抵 抗 | 067499 | |
| R1534 | AA X6292R | CARBON RESISTOR (CHIP) | 100K J | チ ッ プ 抵 抗 | 067499 | |
| R1535 | AA X6288R | CARBON RESISTOR (CHIP) | 10K J | チ ッ プ 抵 抗 | 067497 | 03 |
| * R1537 | WR958700 | CARBON RESISTOR | 8.2K 1/10W F | カ ー ボ ン 抵 抗 | 053568 | |
| * R1538 | WQ026300 | CARBON RESISTOR (CHIP) | 33K 1/10W F | チ ッ プ 抵 抗 | 418796 | |
| * R1540 | WR958700 | CARBON RESISTOR | 8.2K 1/10W F | カ ー ボ ン 抵 抗 | 053568 | |
| * R1541 | WQ026300 | CARBON RESISTOR (CHIP) | 33K 1/10W F | チ ッ プ 抵 抗 | 418796 | |
| R1542 | AA X6280R | CARBON RESISTOR (CHIP) | 47K J | チ ッ プ 抵 抗 | 067546 | 01 |
| -1545 | AA X6280R | CARBON RESISTOR (CHIP) | 47K J | チ ッ プ 抵 抗 | 067546 | 01 |
| R1546 | AA X6388R | CARBON RESISTOR (CHIP) | 4.7K J | チ ッ プ 抵 抗 | 067545 | |
| R1547 | AA X6280R | CARBON RESISTOR (CHIP) | 47K J | チ ッ プ 抵 抗 | 067546 | 01 |
| -1550 | AA X6280R | CARBON RESISTOR (CHIP) | 47K J | チ ッ プ 抵 抗 | 067546 | 01 |
| R1551 | WJ599900 | CARBON RESISTOR (CHIP) | 820 J | チ ッ プ 抵 抗 | 067561 | 01 |
| R1552 | WJ599900 | CARBON RESISTOR (CHIP) | 820 J | チ ッ プ 抵 抗 | 067561 | 01 |
| R1553 | AA X6291R | CARBON RESISTOR (CHIP) | 15K J | チ ッ プ 抵 抗 | 067509 | |
| R1554 | AA X6310R | CARBON RESISTOR (CHIP) | 1.8K J | チ ッ プ 抵 抗 | 067514 | |
| * R1555 | WT870000 | CARBON RESISTOR (CHIP) | 130K 1/16W J | チ ッ プ 抵 抗 | 391438 | |
| * R1556 | WT869800 | CARBON RESISTOR (CHIP) | 390K 1/16W F | チ ッ プ 抵 抗 | 067541 | |

*: New Parts

RANK: Japan only

MOTHER E-H

| REF NO. | PART NO. | DESCRIPTION | 部 | 品 | 名 | REMARKS | QTY | RANK |
|---------|----------|------------------------|--------------|---|---|---------|--------|------|
| R1557 | WJ599900 | CARBON RESISTOR (CHIP) | 820 J | チ | ッ | ブ 抵 抗 | 067561 | 01 |
| R1558 | WJ599900 | CARBON RESISTOR (CHIP) | 820 J | チ | ッ | ブ 抵 抗 | 067561 | 01 |
| R1560 | AAx6288R | CARBON RESISTOR (CHIP) | 10K J | チ | ッ | ブ 抵 抗 | 067497 | 03 |
| R1601 | AAx6279R | CARBON RESISTOR (CHIP) | 1.5K J | チ | ッ | ブ 抵 抗 | 067508 | |
| R1602 | AAx6286R | CARBON RESISTOR (CHIP) | 150K J | チ | ッ | ブ 抵 抗 | 067511 | |
| R1603 | AAx6286R | CARBON RESISTOR (CHIP) | 150K J | チ | ッ | ブ 抵 抗 | 067511 | |
| R1604 | WP034700 | CARBON RESISTOR (CHIP) | 43KΩJ | チ | ッ | ブ 抵 抗 | 396548 | 01 |
| R1605 | AAx6281R | CARBON RESISTOR (CHIP) | 1K J | チ | ッ | ブ 抵 抗 | 067495 | 01 |
| R1607 | AAx6282R | CARBON RESISTOR (CHIP) | 270K J | チ | ッ | ブ 抵 抗 | 067528 | |
| * R1608 | WP899200 | CARBON RESISTOR (CHIP) | 39k J | チ | ッ | ブ 抵 抗 | 067540 | |
| * R1609 | WT869600 | CARBON RESISTOR (CHIP) | 10K 1/16W F | チ | ッ | ブ 抵 抗 | 067496 | |
| * R1610 | WQ026300 | CARBON RESISTOR (CHIP) | 33K 1/10W F | チ | ッ | ブ 抵 抗 | 418796 | |
| * R1611 | WT870300 | CARBON RESISTOR (CHIP) | 27K 1/16W F | チ | ッ | ブ 抵 抗 | 500383 | |
| R1612 | WJ599500 | CARBON RESISTOR (CHIP) | 100 J | チ | ッ | ブ 抵 抗 | 067493 | 01 |
| R1653 | AAx6291R | CARBON RESISTOR (CHIP) | 15K J | チ | ッ | ブ 抵 抗 | 067509 | |
| R1654 | AAx6310R | CARBON RESISTOR (CHIP) | 1.8K J | チ | ッ | ブ 抵 抗 | 067514 | |
| R1660 | AAx6288R | CARBON RESISTOR (CHIP) | 10K J | チ | ッ | ブ 抵 抗 | 067497 | 03 |
| R1701 | AAx6279R | CARBON RESISTOR (CHIP) | 1.5K J | チ | ッ | ブ 抵 抗 | 067508 | |
| R1702 | AAx6286R | CARBON RESISTOR (CHIP) | 150K J | チ | ッ | ブ 抵 抗 | 067511 | |
| R1703 | AAx6286R | CARBON RESISTOR (CHIP) | 150K J | チ | ッ | ブ 抵 抗 | 067511 | |
| R1704 | WP034700 | CARBON RESISTOR (CHIP) | 43KΩJ | チ | ッ | ブ 抵 抗 | 396548 | 01 |
| R1705 | AAx6281R | CARBON RESISTOR (CHIP) | 1K J | チ | ッ | ブ 抵 抗 | 067495 | 01 |
| R1707 | AAx6282R | CARBON RESISTOR (CHIP) | 270K J | チ | ッ | ブ 抵 抗 | 067528 | |
| * R1708 | WP899200 | CARBON RESISTOR (CHIP) | 39k J | チ | ッ | ブ 抵 抗 | 067540 | |
| * R1709 | WT869600 | CARBON RESISTOR (CHIP) | 10K 1/16W F | チ | ッ | ブ 抵 抗 | 067496 | |
| * R1710 | WQ026300 | CARBON RESISTOR (CHIP) | 33K 1/10W F | チ | ッ | ブ 抵 抗 | 418796 | |
| * R1711 | WT870300 | CARBON RESISTOR (CHIP) | 27K 1/16W F | チ | ッ | ブ 抵 抗 | 500383 | |
| R1712 | WJ599500 | CARBON RESISTOR (CHIP) | 100 J | チ | ッ | ブ 抵 抗 | 067493 | 01 |
| R1713 | AAx6281R | CARBON RESISTOR (CHIP) | 1K J | チ | ッ | ブ 抵 抗 | 067495 | 01 |
| R1714 | AAx6288R | CARBON RESISTOR (CHIP) | 10K J | チ | ッ | ブ 抵 抗 | 067497 | 03 |
| R1715 | AAx6288R | CARBON RESISTOR (CHIP) | 10K J | チ | ッ | ブ 抵 抗 | 067497 | 03 |
| R1716 | AAx6292R | CARBON RESISTOR (CHIP) | 100K J | チ | ッ | ブ 抵 抗 | 067499 | |
| R1717 | WJ606800 | CARBON RESISTOR (CHIP) | 82K J | チ | ッ | ブ 抵 抗 | 067564 | 01 |
| R1718 | AAx6382R | CARBON RESISTOR (CHIP) | 56K J | チ | ッ | ブ 抵 抗 | 067554 | |
| R1719 | AAx6288R | CARBON RESISTOR (CHIP) | 10K J | チ | ッ | ブ 抵 抗 | 067497 | 03 |
| R1720 | AAx6281R | CARBON RESISTOR (CHIP) | 1K J | チ | ッ | ブ 抵 抗 | 067495 | 01 |
| R1721 | AAx6288R | CARBON RESISTOR (CHIP) | 10K J | チ | ッ | ブ 抵 抗 | 067497 | 03 |
| R1722 | AAx6388R | CARBON RESISTOR (CHIP) | 4.7K J | チ | ッ | ブ 抵 抗 | 067545 | |
| R1723 | AAx6288R | CARBON RESISTOR (CHIP) | 10K J | チ | ッ | ブ 抵 抗 | 067497 | 03 |
| R1724 | AAx6288R | CARBON RESISTOR (CHIP) | 10K J | チ | ッ | ブ 抵 抗 | 067497 | 03 |
| R1725 | AAx6280R | CARBON RESISTOR (CHIP) | 47K J | チ | ッ | ブ 抵 抗 | 067546 | 01 |
| R1726 | WJ606500 | CARBON RESISTOR (CHIP) | 2.7K J | チ | ッ | ブ 抵 抗 | 067526 | 01 |
| R1727 | AAx6280R | CARBON RESISTOR (CHIP) | 47K J | チ | ッ | ブ 抵 抗 | 067546 | 01 |
| R1728 | AAx6388R | CARBON RESISTOR (CHIP) | 4.7K J | チ | ッ | ブ 抵 抗 | 067545 | |
| R1729 | AAx6288R | CARBON RESISTOR (CHIP) | 10K J | チ | ッ | ブ 抵 抗 | 067497 | 03 |
| R1730 | WJ606600 | CARBON RESISTOR (CHIP) | 330K J | チ | ッ | ブ 抵 抗 | 067533 | 01 |
| R1731 | AAx6292R | CARBON RESISTOR (CHIP) | 100K J | チ | ッ | ブ 抵 抗 | 067499 | |
| R1732 | AAx6315R | CARBON RESISTOR (CHIP) | 10 J | チ | ッ | ブ 抵 抗 | 067492 | 01 |
| R1733 | AAx6292R | CARBON RESISTOR (CHIP) | 100K J | チ | ッ | ブ 抵 抗 | 067499 | |
| R1734 | AAx6292R | CARBON RESISTOR (CHIP) | 100K J | チ | ッ | ブ 抵 抗 | 067499 | |
| R1735 | AAx6288R | CARBON RESISTOR (CHIP) | 10K J | チ | ッ | ブ 抵 抗 | 067497 | 03 |
| * R1737 | WR958700 | CARBON RESISTOR | 8.2K 1/10W F | カ | ー | ボ ン 抵 抗 | 053568 | |
| * R1738 | WQ026300 | CARBON RESISTOR (CHIP) | 33K 1/10W F | チ | ッ | ブ 抵 抗 | 418796 | |
| * R1740 | WR958700 | CARBON RESISTOR | 8.2K 1/10W F | カ | ー | ボ ン 抵 抗 | 053568 | |
| * R1741 | WQ026300 | CARBON RESISTOR (CHIP) | 33K 1/10W F | チ | ッ | ブ 抵 抗 | 418796 | |
| R1747 | AAx6280R | CARBON RESISTOR (CHIP) | 47K J | チ | ッ | ブ 抵 抗 | 067546 | 01 |
| -1750 | AAx6280R | CARBON RESISTOR (CHIP) | 47K J | チ | ッ | ブ 抵 抗 | 067546 | 01 |
| R1751 | WJ599900 | CARBON RESISTOR (CHIP) | 820 J | チ | ッ | ブ 抵 抗 | 067561 | 01 |
| R1752 | WJ599900 | CARBON RESISTOR (CHIP) | 820 J | チ | ッ | ブ 抵 抗 | 067561 | 01 |
| R1753 | AAx6291R | CARBON RESISTOR (CHIP) | 15K J | チ | ッ | ブ 抵 抗 | 067509 | |
| R1754 | AAx6310R | CARBON RESISTOR (CHIP) | 1.8K J | チ | ッ | ブ 抵 抗 | 067514 | |
| * R1755 | WT870000 | CARBON RESISTOR (CHIP) | 130K 1/16W J | チ | ッ | ブ 抵 抗 | 391438 | |
| * R1756 | WT869800 | CARBON RESISTOR (CHIP) | 390K 1/16W F | チ | ッ | ブ 抵 抗 | 067541 | |
| R1757 | WJ599900 | CARBON RESISTOR (CHIP) | 820 J | チ | ッ | ブ 抵 抗 | 067561 | 01 |
| R1758 | WJ599900 | CARBON RESISTOR (CHIP) | 820 J | チ | ッ | ブ 抵 抗 | 067561 | 01 |
| R1760 | AAx6288R | CARBON RESISTOR (CHIP) | 10K J | チ | ッ | ブ 抵 抗 | 067497 | 03 |
| R1801 | AAx6279R | CARBON RESISTOR (CHIP) | 1.5K J | チ | ッ | ブ 抵 抗 | 067508 | |
| R1802 | AAx6286R | CARBON RESISTOR (CHIP) | 150K J | チ | ッ | ブ 抵 抗 | 067511 | |
| R1803 | AAx6286R | CARBON RESISTOR (CHIP) | 150K J | チ | ッ | ブ 抵 抗 | 067511 | |
| R1804 | WP034700 | CARBON RESISTOR (CHIP) | 43KΩJ | チ | ッ | ブ 抵 抗 | 396548 | 01 |

* : New Parts

RANK: Japan only

MOTHER E-H and POWER

| REF NO. | PART NO. | DESCRIPTION | 部 品 名 | REMARKS | QTY | RANK |
|------------|----------------|--------------------------|-------------------------|-----------------|--------|------|
| R1805 | AA X6281R | CARBON RESISTOR (CHIP) | 1K J | チ ッ プ 抵 抗 | 067495 | 01 |
| R1807 | AA X6282R | CARBON RESISTOR (CHIP) | 270K J | チ ッ プ 抵 抗 | 067528 | |
| * R1808 | WP899200 | CARBON RESISTOR (CHIP) | 39k J | チ ッ プ 抵 抗 | 067540 | |
| * R1809 | WT869600 | CARBON RESISTOR (CHIP) | 10K 1/16W F | チ ッ プ 抵 抗 | 067496 | |
| * R1810 | WQ026300 | CARBON RESISTOR (CHIP) | 33K 1/10W F | チ ッ プ 抵 抗 | 418796 | |
| * R1811 | WT870300 | CARBON RESISTOR (CHIP) | 27K 1/16W F | チ ッ プ 抵 抗 | 500383 | |
| R1812 | WJ599500 | CARBON RESISTOR (CHIP) | 100 J | チ ッ プ 抵 抗 | 067493 | 01 |
| R1853 | AA X6291R | CARBON RESISTOR (CHIP) | 15K J | チ ッ プ 抵 抗 | 067509 | |
| R1854 | AA X6310R | CARBON RESISTOR (CHIP) | 1.8K J | チ ッ プ 抵 抗 | 067514 | |
| R1860 | AA X6288R | CARBON RESISTOR (CHIP) | 10K J | チ ッ プ 抵 抗 | 067497 | 03 |
| * T1501 | WR984100 | COIL | OD2215-701B | コ イ ル | 493953 | |
| * T1701 | WR984100 | COIL | OD2215-701B | コ イ ル | 493953 | |
| TR1501 | AA X6404R | FET | 2SK246 BL (-F) | F E T | 407813 | 03 |
| TR1601 | AA X6404R | FET | 2SK246 BL (-F) | F E T | 407813 | 03 |
| TR1701 | AA X6404R | FET | 2SK246 BL (-F) | F E T | 407813 | 03 |
| TR1801 | AA X6404R | FET | 2SK246 BL (-F) | F E T | 407813 | 03 |
| * X1 | WT870700 | CERAMIC RESONATOR | CSBLA380KECE-B0 | セラミック振動子 | 496237 | |
| | WR983100 | CIRCUIT BOARD | POWER | P O W E R シ ー ト | 498460 | |
| | AA X11050 | BUSHING | B-24 | ブ ッ シ ャ | 044543 | 01 |
| * WS522100 | PAN HEAD SCREW | M3x10 | ナ ベ 小 ネ ジ | 422409 | 6 | |
| * WP928000 | HEXAGONAL NUT | | 六 角 ナ ッ ト | 422987 | 2 | |
| * WT892800 | SILICON SHEET | TC-30CG | シリコンシート | 486094 | | |
| * WR982800 | FUSE HOLDER | TP00351-31 | ヒューズホルダー | 490180 | 2 | |
| | -- | HEATSINK POWER A | | ヒートシンク A | 484734 | |
| | -- | HEATSINK POWER B | | ヒートシンク B | 484735 | |
| △ C901 | WR974200 | CAPACITOR | 0.47uF 275V | 規格認定コンデンサ | 485439 | |
| * C902 | WR975800 | POLYPROPYLENE CAPACITOR | 1.2uF 450V K | P コ ン | 484957 | |
| * C903 | WT869200 | CERAMIC CAPACITOR (CHIP) | 2200pF 50V | チップ積層セラコン | 498170 | |
| * C904 | WR957800 | CERAMIC CAPACITOR (CHIP) | 0.68uF 10V K | チップ積層セラコン | 484939 | |
| * C905 | AA X6302R | CERAMIC CAPACITOR (CHIP) | 1000pF K | チップセラコン | 065501 | |
| * C906 | WR986900 | TANTALUM CAPACITOR | 15uF 25V | タンタルコン | 484946 | |
| * C907 | WR957900 | CERAMIC CAPACITOR (CHIP) | 3.3uF 10V K | チップ積層セラコン | 484940 | |
| * C908 | WR959400 | CERAMIC CAPACITOR (CHIP) | 0.22uF 25V K | チップ積層セラコン | 488610 | |
| * C909 | WR958100 | CERAMIC CAPACITOR (CHIP) | 0.1uF 50V K | チップ積層セラコン | 484941 | |
| * C910 | WR959200 | CERAMIC CAPACITOR (CHIP) | 220pF 630V J | チップ積層セラコン | 484942 | |
| * C911 | WR959300 | CERAMIC CAPACITOR (CHIP) | 1000pF 1000V K | チップ積層セラコン | 487041 | |
| * C912 | WT868600 | ELECTROLYTIC CAPACITOR | 200uF 450V | ケ ミ コ ン | 500381 | |
| * C913 | WT868600 | ELECTROLYTIC CAPACITOR | 200uF 450V | ケ ミ コ ン | 500381 | |
| * C914 | WR969600 | ELECTROLYTIC CAPACITOR | 56uF 250V | ケ ミ コ ン | 484951 | |
| * C915 | WR969600 | ELECTROLYTIC CAPACITOR | 56uF 250V | ケ ミ コ ン | 484951 | |
| * C916 | WR982900 | CERAMIC CAPACITOR | 100pF 1KV J | セラコン | 488662 | |
| * C918 | WP068900 | ELECTROLYTIC CAP. | 47uF 35V | ケ ミ コ ン | 470971 | 02 |
| * C919 | WR957800 | CERAMIC CAPACITOR (CHIP) | 0.68uF 10V K | チップ積層セラコン | 484939 | |
| * C920 | WT869100 | CERAMIC CAPACITOR (CHIP) | 1.0uF 25V | チップ積層セラコン | 460592 | |
| * C921 | WR958100 | CERAMIC CAPACITOR (CHIP) | 0.1uF 50V K | チップ積層セラコン | 484941 | |
| * C922 | WP068900 | ELECTROLYTIC CAP. | 47uF 35V | ケ ミ コ ン | 470971 | 02 |
| * C923 | WU093700 | CERAMIC CAPACITOR (CHIP) | 1000pF 50V J | チップセラコン | 423397 | |
| * C924 | WR958100 | CERAMIC CAPACITOR (CHIP) | 0.1uF 50V K | チップ積層セラコン | 484941 | |
| * C925 | WP068900 | ELECTROLYTIC CAP. | 47uF 35V | ケ ミ コ ン | 470971 | 02 |
| * C926 | WR969500 | ELECTROLYTIC CAPACITOR | 4.7uF 50V | ケ ミ コ ン | 484950 | |
| * C927 | WR959700 | CERAMIC CAPACITOR (CHIP) | 470pF 50V K | チップ積層セラコン | 065514 | |
| * C928 | WR959700 | CERAMIC CAPACITOR (CHIP) | 470pF 50V K | チップ積層セラコン | 065514 | |
| * C929 | WR959100 | CERAMIC CAPACITOR (CHIP) | 0.01uF 630V K | チップ積層セラコン | 418068 | |
| * C931 | WR949800 | ELECTROLYTIC CAPACITOR | 220uF 25V | ケ ミ コ ン | 433553 | |
| * C932 | WP068900 | ELECTROLYTIC CAP. | 47uF 35V | ケ ミ コ ン | 470971 | 02 |
| * C933 | WR959200 | CERAMIC CAPACITOR (CHIP) | 220pF 630V J | チップ積層セラコン | 484942 | |
| * -936 | WR959200 | CERAMIC CAPACITOR (CHIP) | 220pF 630V J | チップ積層セラコン | 484942 | |
| * C937 | WR969700 | ELECTROLYTIC CAPACITOR | 470uF 63V | ケ ミ コ ン | 484952 | |
| * -940 | WR969700 | ELECTROLYTIC CAPACITOR | 470uF 63V | ケ ミ コ ン | 484952 | |
| C941 | WP111400 | CERAMIC CAPACITOR | 2200pF | セラコン | 471018 | 03 |
| * C942 | WR957700 | CERAMIC CAPACITOR (CHIP) | 820pF 50V J | チップ積層セラコン | 484938 | |
| * C943 | WR958100 | CERAMIC CAPACITOR (CHIP) | 0.1uF 50V K | チップ積層セラコン | 484941 | |
| * C944 | WR958100 | CERAMIC CAPACITOR (CHIP) | 0.1uF 50V K | チップ積層セラコン | 484941 | |
| * C945 | WR959200 | CERAMIC CAPACITOR (CHIP) | 220pF 630V J | チップ積層セラコン | 484942 | |
| * CN901 | WR963200 | CONNECTOR BASE POST | 3P GSHD106-0302A06 | コネクターベースポスト | 484436 | |
| * -903 | WR963200 | CONNECTOR BASE POST | 3P GSHD106-0302A06 | コネクターベースポスト | 484436 | |
| * CN904 | WR963300 | CONNECTOR BASE POST | 11P GPHA102-1102A156 LF | コネクターベースポスト | 484437 | |
| * D901 | WR972000 | DIODE STACK | RBV-606 6.0A 600V | ダイオードスタック | 055547 | |
| * D902 | WP914400 | DIODE | SFR1T6 T | ダイオード | 408519 | |

*: New Parts

RANK: Japan only

POWER

| REF NO. | PART NO. | DESCRIPTION | 部 品 名 | REMARKS | QTY | RANK |
|----------|----------|---------------------------|--------------------|-----------------|-----------------------|------|
| * D903 | WP914400 | DIODE | SFR1T6 T | ダイオード | 408519 | |
| * D904 | WR972100 | DIODE | 1N5406 | ダイオード | 484963 | |
| * D905 | WR972400 | DIODE | FMX-G26S | ダイオード | 484967 | |
| * D906 | WR972200 | DIODE | SS140 | ダイオード | 484964 | |
| D907 | WP043100 | DIODE | SRT14A1 T LF | ダイオード | 433550 | 02 |
| * D908 | WR972700 | DIODE | P4SMA250A-E3/61 | ダイオード | 488607 | |
| * D909 | WR972700 | DIODE | P4SMA250A-E3/61 | ダイオード | 488607 | |
| D910 | AAx4255R | DIODE | 1SS133 | ダイオード | 069460 | 01 |
| * D912 | WR966100 | ZENER DIODE | UDZS8.2B 8.2V | ツェナーダイオード | 043062 | |
| * D913 | XX698570 | DIODE (CHIP) | 1SS355 TE-17 | ダイオード | 069444 | 01 |
| D914 | XX698570 | DIODE (CHIP) | 1SS355 TE-17 | ダイオード | 069444 | 01 |
| D915 | WP043100 | DIODE | SRT14A1 T LF | ダイオード | 433550 | 02 |
| D916 | WP043100 | DIODE | SRT14A1 T LF | ダイオード | 433550 | 02 |
| * D921 | WR972300 | DIODE | AL01Z | ダイオード | 484966 | |
| * -924 | WR972300 | DIODE | AL01Z | ダイオード | 484966 | |
| D925 | AAx4255R | DIODE | 1SS133 | ダイオード | 069460 | 01 |
| D926 | WP043100 | DIODE | SRT14A1 T LF | ダイオード | 433550 | 02 |
| D927 | WN959300 | DIODE BRIDGE | D FMG-22S 10A | ダイオードブリッジ | 069556 | 07 |
| D928 | WN964200 | DIODE BRIDGE | D FMG-22S 10A | ダイオードブリッジ | 069557 | 07 |
| D929 | XX698570 | DIODE (CHIP) | 1SS355 TE-17 | ダイオード | 069444 | 01 |
| D930 | XX698570 | DIODE (CHIP) | 1SS355 TE-17 | ダイオード | 069444 | 01 |
| * D931 | WR966200 | ZENER DIODE | UDZS36B 36V | ツェナーダイオード | 050650 | |
| * -934 | WR966200 | ZENER DIODE | UDZS36B 36V | ツェナーダイオード | 050650 | |
| D935 | XX698570 | DIODE (CHIP) | 1SS355 TE-17 | ダイオード | 069444 | 01 |
| EP901 | XX698880 | LUG TERMINAL | MET37-0001 | ラ グ 端 子 | 075878 | 02 |
| △ F901 | WJ596600 | FUSE | T 6.3A 250V | ヒ ュ ー ス | 451066 | 03 |
| FB901 | -- | FERRITE BEAD | ZBF503M-00TA-01 | フェライトビーズ | 413258 (WR96850) | |
| * IC901 | YA885A00 | IC | UCC28019DR | IC | PFC CONTROLLER 484970 | |
| IC902 | X8569A00 | IC | UPC494GS-T2-A T | IC | SWR CONTROLLER 070475 | 07 |
| * IC903 | YA882A00 | IC | KIA7812API-U/P | IC | REGULATOR 354983 | |
| * L901 | WR984700 | COIL | CNF35T200VB | コ イ ル | 488609 | |
| * L902 | WR984500 | COIL | FT6053 | コ イ ル | 484961 | |
| * L905 | WR984600 | COIL | LU-8S-V302 | コ イ ル | 488608 | |
| PH901 | WR966900 | THERMISTOR | TPM1S471P085R | サ ミ スタ ー | 484460 | |
| * PHC901 | WR973200 | PHOTO COUPLER | K10103D | フ ォ ト カ プ ラ ー | 484971 | |
| * PHC902 | WR973200 | PHOTO COUPLER | K10103D | フ ォ ト カ プ ラ ー | 484971 | |
| * Q901 | WT870600 | FET | STP25NM60N | F E T | 500188 | |
| * Q902 | WR970100 | FET | 2SK3505 | F E T | 484981 | |
| * Q903 | WR970100 | FET | 2SK3505 | F E T | 484981 | |
| * Q904 | AAx6371R | TRANSISTOR (CHIP) | 2SA1037AK QRS T146 | ト ラ ン ジ ス タ | 068590 | 01 |
| Q905 | AAx45980 | TRANSISTOR (CHIP) | 2SC2412K QRS T146 | ト ラ ン ジ ス タ | 068775 | 01 |
| Q906 | AAx45980 | TRANSISTOR (CHIP) | 2SC2412K QRS T146 | ト ラ ン ジ ス タ | 068775 | 01 |
| * Q907 | WR970600 | TRANSISTOR | 2SA1036K | ト ラ ン ジ ス タ | 084677 | |
| Q908 | AAx45980 | TRANSISTOR (CHIP) | 2SC2412K QRS T146 | ト ラ ン ジ ス タ | 068775 | 01 |
| Q909 | AAx6371R | TRANSISTOR (CHIP) | 2SA1037AK QRS T146 | ト ラ ン ジ ス タ | 068590 | 01 |
| Q910 | AAx45980 | TRANSISTOR (CHIP) | 2SC2412K QRS T146 | ト ラ ン ジ ス タ | 068775 | 01 |
| * Q911 | WR970300 | TRANSISTOR | 2SC2411K | ト ラ ン ジ ス タ | 068774 | |
| * Q912 | WR970300 | TRANSISTOR | 2SC2411K | ト ラ ン ジ ス タ | 068774 | |
| * Q913 | WR970600 | TRANSISTOR | 2SA1036K | ト ラ ン ジ ス タ | 084677 | |
| * Q914 | WR970600 | TRANSISTOR | 2SA1036K | ト ラ ン ジ ス タ | 084677 | |
| R901 | WR959800 | CARBON RESISTOR | 680K 1/2W J | カ ー ボ ン 抵 抗 | 484948 | |
| * R902 | WR950600 | CARBON RESISTOR (CHIP) | 2.2M 1/8W J | チ ッ プ 抵 抗 | 067737 | |
| * -904 | WR950600 | CARBON RESISTOR (CHIP) | 2.2M 1/8W J | チ ッ プ 抵 抗 | 067737 | |
| * R905 | WR950000 | CARBON RESISTOR (CHIP) | 100K 1/8W J | チ ッ プ 抵 抗 | 067683 | |
| R906 | WJ599600 | CARBON RESISTOR (CHIP) | 220 J | チ ッ プ 抵 抗 | 067518 | 01 |
| R907 | AAx6278R | CARBON RESISTOR (CHIP) | 33K J | チ ッ プ 抵 抗 | 067532 | |
| * R908 | WR950100 | CARBON RESISTOR (CHIP) | 100 1/8W J | チ ッ プ 抵 抗 | 067677 | |
| * R909 | WT869500 | CEMENT RESISTOR | 0.022 3W K | セ メ ン ト 抵 抗 | 498166 | |
| * R910 | WR951900 | CARBON RESISTOR (CHIP) | 2.2 1/8W J | チ ッ プ 抵 抗 | 067738 | |
| R911 | WJ600000 | CARBON RESISTOR (CHIP) | 10 J | チ ッ プ 抵 抗 | 067675 | 01 |
| * R914 | WR966500 | METAL OXIDE FILM RESISTOR | 4.7 2W J | 酸 化 金 属 皮 膜 抵 抗 | 488661 | |
| * R915 | WR958300 | CARBON RESISTOR | 499K 1/4W F | カ ー ボ ン 抵 抗 | 484977 | |
| * R916 | WR958600 | CARBON RESISTOR | 470K 1/4W F | カ ー ボ ン 抵 抗 | 487160 | |
| * R917 | WR958200 | CARBON RESISTOR | 12.7K 1/8W F | カ ー ボ ン 抵 抗 | 484976 | |
| * R918 | WR952300 | CARBON RESISTOR | 5.6 1/6W J | カ ー ボ ン 抵 抗 | 067277 | |
| * R919 | WR952300 | CARBON RESISTOR | 5.6 1/6W J | カ ー ボ ン 抵 抗 | 067277 | |
| * R920 | WR951600 | CARBON RESISTOR | 2.2K 1/6W J | カ ー ボ ン 抵 抗 | 067155 | |
| * R921 | WR951600 | CARBON RESISTOR | 2.2K 1/6W J | カ ー ボ ン 抵 抗 | 067155 | |
| * R922 | WR973000 | RESISTOR | 220K 1/2W J | 抵 抗 | 484974 | |
| * R923 | WR973000 | RESISTOR | 220K 1/2W J | 抵 抗 | 484974 | |

* : New Parts

RANK: Japan only

POWER and REAR

| REF NO. | PART NO. | DESCRIPTION | | 部 品 名 | REMARKS | QTY | RANK |
|---------|----------|---------------------------|-------------|-------------------|---------|--------|------|
| * R924 | WR947800 | CARBON RESISTOR (CHIP) | 1.5K 1/8W J | チ ッ プ 抵 抗 | | 067707 | |
| R925 | AAx6281R | CARBON RESISTOR (CHIP) | 1K J | チ ッ プ 抵 抗 | | 067495 | 01 |
| R926 | WJ606700 | CARBON RESISTOR (CHIP) | 6.8K J | チ ッ プ 抵 抗 | | 067558 | 01 |
| R927 | WJ606700 | CARBON RESISTOR (CHIP) | 6.8K J | チ ッ プ 抵 抗 | | 067558 | 01 |
| R928 | AAx6290R | CARBON RESISTOR (CHIP) | 470 J | チ ッ プ 抵 抗 | | 067544 | |
| R929 | AAx6315R | CARBON RESISTOR (CHIP) | 10 J | チ ッ プ 抵 抗 | | 067492 | 01 |
| R930 | AAx6315R | CARBON RESISTOR (CHIP) | 10 J | チ ッ プ 抵 抗 | | 067492 | 01 |
| R931 | AAx6281R | CARBON RESISTOR (CHIP) | 1K J | チ ッ プ 抵 抗 | | 067495 | 01 |
| R932 | WU093500 | CARBON RESISTOR (CHIP) | 75K 1/10W D | チ ッ プ 抵 抗 | | 493681 | |
| R933 | AAx6288R | CARBON RESISTOR (CHIP) | 10K J | チ ッ プ 抵 抗 | | 067497 | 03 |
| * R934 | WR947800 | CARBON RESISTOR (CHIP) | 1.5K 1/8W J | チ ッ プ 抵 抗 | | 067707 | |
| R935 | WJ599500 | CARBON RESISTOR (CHIP) | 100 J | チ ッ プ 抵 抗 | | 067493 | 01 |
| R936 | AAx6287R | CARBON RESISTOR (CHIP) | 5.6K J | チ ッ プ 抵 抗 | | 067553 | |
| R937 | AAx6287R | CARBON RESISTOR (CHIP) | 5.6K J | チ ッ プ 抵 抗 | | 067553 | |
| R938 | AAx6311R | CARBON RESISTOR (CHIP) | 3.3K J | チ ッ プ 抵 抗 | | 067531 | |
| R939 | AAx6310R | CARBON RESISTOR (CHIP) | 1.8K J | チ ッ プ 抵 抗 | | 067514 | |
| R940 | WR958700 | CARBON RESISTOR (CHIP) | 8.2K F | チ ッ プ 抵 抗 | | 053568 | |
| R941 | AAx6379R | CARBON RESISTOR (CHIP) | 22K J | チ ッ プ 抵 抗 | | 067520 | |
| * R942 | WP899200 | CARBON RESISTOR (CHIP) | 39k J | チ ッ プ 抵 抗 | | 067540 | |
| R943 | AAx6285R | CARBON RESISTOR (CHIP) | 2.2K J | チ ッ プ 抵 抗 | | 067519 | 01 |
| R944 | WJ599800 | CARBON RESISTOR (CHIP) | 47 J | チ ッ プ 抵 抗 | | 067543 | 01 |
| R945 | AAx6388R | CARBON RESISTOR (CHIP) | 4.7K J | チ ッ プ 抵 抗 | | 067545 | |
| R946 | AAx6287R | CARBON RESISTOR (CHIP) | 5.6K J | チ ッ プ 抵 抗 | | 067553 | |
| R947 | AAx6287R | CARBON RESISTOR (CHIP) | 5.6K J | チ ッ プ 抵 抗 | | 067553 | |
| R948 | AAx6280R | CARBON RESISTOR (CHIP) | 47K J | チ ッ プ 抵 抗 | | 067546 | 01 |
| * R951 | WR958900 | CARBON RESISTOR | 2.2 1/4W J | カ ー ボ ン 抵 抗 | | 491074 | |
| R952 | AAx6287R | CARBON RESISTOR (CHIP) | 5.6K J | チ ッ プ 抵 抗 | | 067553 | |
| * R953 | WP915800 | METAL OXIDE FILM RESISTOR | 5.6k 2W | 酸 化 金 属 増 皮 膜 抵 抗 | | 474905 | |
| * R954 | WP915800 | METAL OXIDE FILM RESISTOR | 5.6k 2W | 酸 化 金 属 増 皮 膜 抵 抗 | | 474905 | |
| R955 | WJ606700 | CARBON RESISTOR (CHIP) | 6.8K J | チ ッ プ 抵 抗 | | 067558 | 01 |
| R956 | AAx6409R | CARBON RESISTOR (CHIP) | 0.00 J | チ ッ プ 抵 抗 | | 067491 | 01 |
| R957 | AAx6409R | CARBON RESISTOR (CHIP) | 0.00 J | チ ッ プ 抵 抗 | | 067491 | 01 |
| * R958 | WR951500 | CARBON RESISTOR | 1K 1/6W J | カ ー ボ ン 抵 抗 | | 067069 | |
| R959 | WR950700 | CARBON RESISTOR (CHIP) | 47 1/8W J | チ ッ プ 抵 抗 | | 067776 | |
| * R960 | WR959000 | CARBON RESISTOR | 1.5K 1/2W J | カ ー ボ ン 抵 抗 | | 488659 | |
| * T901 | WR985100 | COIL | FT3049 | コ イ ル | | 484959 | |
| * T902 | WR985200 | COIL | FT3052 | コ イ ル | | 484960 | |
| | WR983500 | CIRCUIT BOARD | REAR | R E A R シ ー ト | | 498456 | |
| C10 | WJ592200 | CERAMIC CAPACITOR (CHIP) | 0.1uF 25V K | チ ッ プ セ ラ コ ン | | 374404 | 01 |
| C11 | AAx6297R | ELECTROLYTIC CAP. (CHIP) | 47uF 25V | チ ッ プ ケ ミ コ ン | | 412426 | |
| C12 | AAx6297R | ELECTROLYTIC CAP. (CHIP) | 47uF 25V | チ ッ プ ケ ミ コ ン | | 412426 | |
| * C13 | WR959700 | CERAMIC CAPACITOR (CHIP) | 470pF 50V K | チ ッ プ 積 層 セ ラ コ ン | | 065514 | |
| * C14 | WR959700 | CERAMIC CAPACITOR (CHIP) | 470pF 50V K | チ ッ プ 積 層 セ ラ コ ン | | 065514 | |
| C15 | AAx6296R | CERAMIC CAPACITOR (CHIP) | 27pF 50V J | チ ッ プ セ ラ コ ン | | 368358 | |
| C17 | AAx6296R | CERAMIC CAPACITOR (CHIP) | 27pF 50V J | チ ッ プ セ ラ コ ン | | 368358 | |
| C18 | WJ592200 | CERAMIC CAPACITOR (CHIP) | 0.1uF 25V K | チ ッ プ セ ラ コ ン | | 374404 | 01 |
| -20 | WJ592200 | CERAMIC CAPACITOR (CHIP) | 0.1uF 25V K | チ ッ プ セ ラ コ ン | | 374404 | 01 |
| C21 | AAx6297R | ELECTROLYTIC CAP. (CHIP) | 47uF 25V | チ ッ プ ケ ミ コ ン | | 412426 | |
| C22 | AAx6297R | ELECTROLYTIC CAP. (CHIP) | 47uF 25V | チ ッ プ ケ ミ コ ン | | 412426 | |
| * C23 | WR959700 | CERAMIC CAPACITOR (CHIP) | 470pF 50V K | チ ッ プ 積 層 セ ラ コ ン | | 065514 | |
| * C24 | WR959700 | CERAMIC CAPACITOR (CHIP) | 470pF 50V K | チ ッ プ 積 層 セ ラ コ ン | | 065514 | |
| C25 | AAx6296R | CERAMIC CAPACITOR (CHIP) | 27pF 50V J | チ ッ プ セ ラ コ ン | | 368358 | |
| C27 | AAx6296R | CERAMIC CAPACITOR (CHIP) | 27pF 50V J | チ ッ プ セ ラ コ ン | | 368358 | |
| C30 | WJ592200 | CERAMIC CAPACITOR (CHIP) | 0.1uF 25V K | チ ッ プ セ ラ コ ン | | 374404 | 01 |
| C31 | AAx6297R | ELECTROLYTIC CAP. (CHIP) | 47uF 25V | チ ッ プ ケ ミ コ ン | | 412426 | |
| C32 | AAx6297R | ELECTROLYTIC CAP. (CHIP) | 47uF 25V | チ ッ プ ケ ミ コ ン | | 412426 | |
| * C33 | WR959700 | CERAMIC CAPACITOR (CHIP) | 470pF 50V K | チ ッ プ 積 層 セ ラ コ ン | | 065514 | |
| * C34 | WR959700 | CERAMIC CAPACITOR (CHIP) | 470pF 50V K | チ ッ プ 積 層 セ ラ コ ン | | 065514 | |
| C35 | AAx6296R | CERAMIC CAPACITOR (CHIP) | 27pF 50V J | チ ッ プ セ ラ コ ン | | 368358 | |
| C37 | AAx6296R | CERAMIC CAPACITOR (CHIP) | 27pF 50V J | チ ッ プ セ ラ コ ン | | 368358 | |
| C38 | WJ592200 | CERAMIC CAPACITOR (CHIP) | 0.1uF 25V K | チ ッ プ セ ラ コ ン | | 374404 | 01 |
| -40 | WJ592200 | CERAMIC CAPACITOR (CHIP) | 0.1uF 25V K | チ ッ プ セ ラ コ ン | | 374404 | 01 |
| C41 | AAx6297R | ELECTROLYTIC CAP. (CHIP) | 47uF 25V | チ ッ プ ケ ミ コ ン | | 412426 | |
| C42 | AAx6297R | ELECTROLYTIC CAP. (CHIP) | 47uF 25V | チ ッ プ ケ ミ コ ン | | 412426 | |
| * C43 | WR959700 | CERAMIC CAPACITOR (CHIP) | 470pF 50V K | チ ッ プ 積 層 セ ラ コ ン | | 065514 | |
| * C44 | WR959700 | CERAMIC CAPACITOR (CHIP) | 470pF 50V K | チ ッ プ 積 層 セ ラ コ ン | | 065514 | |
| C45 | AAx6296R | CERAMIC CAPACITOR (CHIP) | 27pF 50V J | チ ッ プ セ ラ コ ン | | 368358 | |
| C47 | AAx6296R | CERAMIC CAPACITOR (CHIP) | 27pF 50V J | チ ッ プ セ ラ コ ン | | 368358 | |
| C50 | WJ592200 | CERAMIC CAPACITOR (CHIP) | 0.1uF 25V K | チ ッ プ セ ラ コ ン | | 374404 | 01 |

*: New Parts

RANK: Japan only

REAR

| REF NO. | PART NO. | DESCRIPTION | 部 品 名 | REMARKS | QTY | RANK |
|---------|------------------|--------------------------|----------------------|----------------------|------------------|--------|
| C51 | AA X6297R | ELECTROLYTIC CAP. (CHIP) | 47uF 25V | チ ッ プ ケ ミ コ ン | 412426 | |
| C52 | AA X6297R | ELECTROLYTIC CAP. (CHIP) | 47uF 25V | チ ッ プ ケ ミ コ ン | 412426 | |
| * C53 | WR 959700 | CERAMIC CAPACITOR (CHIP) | 470pF 50V K | チ ッ プ 積 層 セ ラ コ ン | 065514 | |
| * C54 | WR 959700 | CERAMIC CAPACITOR (CHIP) | 470pF 50V K | チ ッ プ 積 層 セ ラ コ ン | 065514 | |
| C55 | AA X6296R | CERAMIC CAPACITOR (CHIP) | 27pF 50V J | チ ッ プ セ ラ コ ン | 368358 | |
| C57 | AA X6296R | CERAMIC CAPACITOR (CHIP) | 27pF 50V J | チ ッ プ セ ラ コ ン | 368358 | |
| C58 | WJ 592200 | CERAMIC CAPACITOR (CHIP) | 0.1uF 25V K | チ ッ プ セ ラ コ ン | 374404 | 01 |
| -60 | WJ 592200 | CERAMIC CAPACITOR (CHIP) | 0.1uF 25V K | チ ッ プ セ ラ コ ン | 374404 | 01 |
| C61 | AA X6297R | ELECTROLYTIC CAP. (CHIP) | 47uF 25V | チ ッ プ ケ ミ コ ン | 412426 | |
| C62 | AA X6297R | ELECTROLYTIC CAP. (CHIP) | 47uF 25V | チ ッ プ ケ ミ コ ン | 412426 | |
| * C63 | WR 959700 | CERAMIC CAPACITOR (CHIP) | 470pF 50V K | チ ッ プ 積 層 セ ラ コ ン | 065514 | |
| * C64 | WR 959700 | CERAMIC CAPACITOR (CHIP) | 470pF 50V K | チ ッ プ 積 層 セ ラ コ ン | 065514 | |
| C65 | AA X6296R | CERAMIC CAPACITOR (CHIP) | 27pF 50V J | チ ッ プ セ ラ コ ン | 368358 | |
| C67 | AA X6296R | CERAMIC CAPACITOR (CHIP) | 27pF 50V J | チ ッ プ セ ラ コ ン | 368358 | |
| C70 | WJ 592200 | CERAMIC CAPACITOR (CHIP) | 0.1uF 25V K | チ ッ プ セ ラ コ ン | 374404 | 01 |
| C71 | AA X6297R | ELECTROLYTIC CAP. (CHIP) | 47uF 25V | チ ッ プ ケ ミ コ ン | 412426 | |
| C72 | AA X6297R | ELECTROLYTIC CAP. (CHIP) | 47uF 25V | チ ッ プ ケ ミ コ ン | 412426 | |
| * C73 | WR 959700 | CERAMIC CAPACITOR (CHIP) | 470pF 50V K | チ ッ プ 積 層 セ ラ コ ン | 065514 | |
| * C74 | WR 959700 | CERAMIC CAPACITOR (CHIP) | 470pF 50V K | チ ッ プ 積 層 セ ラ コ ン | 065514 | |
| C75 | AA X6296R | CERAMIC CAPACITOR (CHIP) | 27pF 50V J | チ ッ プ セ ラ コ ン | 368358 | |
| C77 | AA X6296R | CERAMIC CAPACITOR (CHIP) | 27pF 50V J | チ ッ プ セ ラ コ ン | 368358 | |
| C78 | WJ 592200 | CERAMIC CAPACITOR (CHIP) | 0.1uF 25V K | チ ッ プ セ ラ コ ン | 374404 | 01 |
| -80 | WJ 592200 | CERAMIC CAPACITOR (CHIP) | 0.1uF 25V K | チ ッ プ セ ラ コ ン | 374404 | 01 |
| C81 | AA X6297R | ELECTROLYTIC CAP. (CHIP) | 47uF 25V | チ ッ プ ケ ミ コ ン | 412426 | |
| C82 | AA X6297R | ELECTROLYTIC CAP. (CHIP) | 47uF 25V | チ ッ プ ケ ミ コ ン | 412426 | |
| * C83 | WR 959700 | CERAMIC CAPACITOR (CHIP) | 470pF 50V K | チ ッ プ 積 層 セ ラ コ ン | 065514 | |
| * C84 | WR 959700 | CERAMIC CAPACITOR (CHIP) | 470pF 50V K | チ ッ プ 積 層 セ ラ コ ン | 065514 | |
| C85 | AA X6296R | CERAMIC CAPACITOR (CHIP) | 27pF 50V J | チ ッ プ セ ラ コ ン | 368358 | |
| C87 | AA X6296R | CERAMIC CAPACITOR (CHIP) | 27pF 50V J | チ ッ プ セ ラ コ ン | 368358 | |
| C91 | WJ 592100 | CERAMIC CAPACITOR (CHIP) | 0.47uF K | チ ッ プ セ ラ コ ン | 334335 | 03 |
| -94 | WJ 592100 | CERAMIC CAPACITOR (CHIP) | 0.47uF K | チ ッ プ セ ラ コ ン | 334335 | 03 |
| CN11 | -- | CONNECTOR | 6P ME060-50806 | コ ネ ク タ ー | INPUT CH (A-B) | |
| | | | | | 484438 (WR96340) | |
| CN12 | -- | CONNECTOR BASE POST | 10P B10B-PH-SM4-TB | コ ネ ク タ ー ベ ース ポ ス ト | 484439 (WR96170) | |
| CN13 | -- | CONNECTOR BASE POST | 12P B12B-PH-SM4-TB | コ ネ ク タ ー ベ ース ポ ス ト | 485377 (WR96180) | |
| CN16 | -- | CONNECTOR BASE POST | 3P B3B-PH-SM4-TB | コ ネ ク タ ー ベ ース ポ ス ト | 402264 (WR96160) | |
| CN17 | -- | CONNECTOR BASE POST | 40P 54132-4097 | コ ネ ク タ ー ベ ース ポ ス ト | 456881 (WR96350) | |
| CN18 | AA X4369R | CONNECTOR BASE POST | 2P B2P-VH | コ ネ ク タ ー 2 P | 081661 | 02 |
| CN31 | -- | CONNECTOR | 6P ME060-50806 | コ ネ ク タ ー | INPUT CH (C-D) | |
| | | | | | 484438 (WR96340) | |
| CN51 | -- | CONNECTOR | 6P ME060-50806 | コ ネ ク タ ー | INPUT CH (E-F) | |
| | | | | | 484438 (WR96340) | |
| CN52 | -- | CONNECTOR BASE POST | 10P B10B-PH-SM4-R-TB | コ ネ ク タ ー ベ ース ポ ス ト | 484953 (WR96190) | |
| CN53 | -- | CONNECTOR BASE POST | 12P B12B-PH-SM4-R-TB | コ ネ ク タ ー ベ ース ポ ス ト | 485378 (WR96200) | |
| CN58 | AA X4369R | CONNECTOR BASE POST | 2P B2P-VH | コ ネ ク タ ー 2 P | 081661 | 02 |
| CN71 | -- | CONNECTOR | 6P ME060-50806 | コ ネ ク タ ー | INPUT CH (G-H) | |
| | | | | | 484438 (WR96340) | |
| D11 | XX 698570 | DIODE (CHIP) | 1SS355 TE-17 | ダ イ オ ー ド | 069444 | 01 |
| D12 | WP 067100 | DIODE | RB501V-40TE-17 T | ダ イ オ ー ド | 469850 | 02 |
| D13 | XX 698570 | DIODE (CHIP) | 1SS355 TE-17 | ダ イ オ ー ド | 069444 | 01 |
| D14 | WP 067100 | DIODE | RB501V-40TE-17 T | ダ イ オ ー ド | 469850 | 02 |
| IC11 | AA X6275R | IC | NJM2068M-D TE1 | | C OP AMP | 070170 |
| IC31 | AA X6275R | IC | NJM2068M-D TE1 | | C OP AMP | 070170 |
| IC51 | AA X6275R | IC | NJM2068M-D TE1 | | C OP AMP | 070170 |
| IC71 | AA X6275R | IC | NJM2068M-D TE1 | | C OP AMP | 070170 |
| * IC91 | YA 877A00 | IC | NJM78L08UA TE1 | | C REGULATOR | 070403 |
| * IC92 | YA 878A00 | IC | NJM79L08UA TE1 | | C REGULATOR | 070452 |
| * L1 | WR 985500 | CHIP INDUCTOR | ACM4532-102-3P-T001 | チ ッ プ イ ン ダ ク タ ー | 485380 | |
| * -8 | WR 985500 | CHIP INDUCTOR | ACM4532-102-3P-T001 | チ ッ プ イ ン ダ ク タ ー | 485380 | |
| L11 | WJ 594200 | COIL | MMZ1608A152ET T LF | コ イ ル | 436042 | 01 |
| L12 | WJ 594200 | COIL | MMZ1608A152ET T LF | コ イ ル | 436042 | 01 |
| L21 | WJ 594200 | COIL | MMZ1608A152ET T LF | コ イ ル | 436042 | 01 |
| L22 | WJ 594200 | COIL | MMZ1608A152ET T LF | コ イ ル | 436042 | 01 |
| L31 | WJ 594200 | COIL | MMZ1608A152ET T LF | コ イ ル | 436042 | 01 |
| L32 | WJ 594200 | COIL | MMZ1608A152ET T LF | コ イ ル | 436042 | 01 |
| L41 | WJ 594200 | COIL | MMZ1608A152ET T LF | コ イ ル | 436042 | 01 |
| L42 | WJ 594200 | COIL | MMZ1608A152ET T LF | コ イ ル | 436042 | 01 |
| L51 | WJ 594200 | COIL | MMZ1608A152ET T LF | コ イ ル | 436042 | 01 |
| L52 | WJ 594200 | COIL | MMZ1608A152ET T LF | コ イ ル | 436042 | 01 |
| L61 | WJ 594200 | COIL | MMZ1608A152ET T LF | コ イ ル | 436042 | 01 |

* : New Parts

RANK: Japan only

REAR

| REF NO. | PART NO. | DESCRIPTION | 部 | 品 | 名 | REMARKS | QTY | RANK |
|---------|----------|------------------------|--------------------|---|---|---------|--------|------|
| L62 | WJ594200 | COIL | MMZ1608A152ET T LF | コ | イ | ル | 436042 | 01 |
| L71 | WJ594200 | COIL | MMZ1608A152ET T LF | コ | イ | ル | 436042 | 01 |
| L72 | WJ594200 | COIL | MMZ1608A152ET T LF | コ | イ | ル | 436042 | 01 |
| L81 | WJ594200 | COIL | MMZ1608A152ET T LF | コ | イ | ル | 436042 | 01 |
| L82 | WJ594200 | COIL | MMZ1608A152ET T LF | コ | イ | ル | 436042 | 01 |
| P100 | XX698880 | LUG TERMINAL | MET37-0001 | ラ | グ | 端 | 075878 | 02 |
| -103 | XX698880 | LUG TERMINAL | MET37-0001 | ラ | グ | 端 | 075878 | 02 |
| R11 | AA6315R | CARBON RESISTOR (CHIP) | 10 J | チ | ッ | ブ | 067492 | 01 |
| R12 | AA6315R | CARBON RESISTOR (CHIP) | 10 J | チ | ッ | ブ | 067492 | 01 |
| R13 | AA6288R | CARBON RESISTOR (CHIP) | 10K J | チ | ッ | ブ | 067497 | 03 |
| R14 | AA6288R | CARBON RESISTOR (CHIP) | 10K J | チ | ッ | ブ | 067497 | 03 |
| R15 | WJ606700 | CARBON RESISTOR (CHIP) | 6.8K J | チ | ッ | ブ | 067558 | 01 |
| R16 | WJ606700 | CARBON RESISTOR (CHIP) | 6.8K J | チ | ッ | ブ | 067558 | 01 |
| R17 | AA6315R | CARBON RESISTOR (CHIP) | 10 J | チ | ッ | ブ | 067492 | 01 |
| R18 | WJ599500 | CARBON RESISTOR (CHIP) | 100 J | チ | ッ | ブ | 067493 | 01 |
| R21 | AA6315R | CARBON RESISTOR (CHIP) | 10 J | チ | ッ | ブ | 067492 | 01 |
| R22 | AA6315R | CARBON RESISTOR (CHIP) | 10 J | チ | ッ | ブ | 067492 | 01 |
| R23 | AA6288R | CARBON RESISTOR (CHIP) | 10K J | チ | ッ | ブ | 067497 | 03 |
| R24 | AA6288R | CARBON RESISTOR (CHIP) | 10K J | チ | ッ | ブ | 067497 | 03 |
| R25 | WJ606700 | CARBON RESISTOR (CHIP) | 6.8K J | チ | ッ | ブ | 067558 | 01 |
| R26 | WJ606700 | CARBON RESISTOR (CHIP) | 6.8K J | チ | ッ | ブ | 067558 | 01 |
| R27 | AA6315R | CARBON RESISTOR (CHIP) | 10 J | チ | ッ | ブ | 067492 | 01 |
| R31 | AA6315R | CARBON RESISTOR (CHIP) | 10 J | チ | ッ | ブ | 067492 | 01 |
| R32 | AA6315R | CARBON RESISTOR (CHIP) | 10 J | チ | ッ | ブ | 067492 | 01 |
| R33 | AA6288R | CARBON RESISTOR (CHIP) | 10K J | チ | ッ | ブ | 067497 | 03 |
| R34 | AA6288R | CARBON RESISTOR (CHIP) | 10K J | チ | ッ | ブ | 067497 | 03 |
| R35 | WJ606700 | CARBON RESISTOR (CHIP) | 6.8K J | チ | ッ | ブ | 067558 | 01 |
| R36 | WJ606700 | CARBON RESISTOR (CHIP) | 6.8K J | チ | ッ | ブ | 067558 | 01 |
| R37 | AA6315R | CARBON RESISTOR (CHIP) | 10 J | チ | ッ | ブ | 067492 | 01 |
| R38 | WJ599500 | CARBON RESISTOR (CHIP) | 100 J | チ | ッ | ブ | 067493 | 01 |
| R41 | AA6315R | CARBON RESISTOR (CHIP) | 10 J | チ | ッ | ブ | 067492 | 01 |
| R42 | AA6315R | CARBON RESISTOR (CHIP) | 10 J | チ | ッ | ブ | 067492 | 01 |
| R43 | AA6288R | CARBON RESISTOR (CHIP) | 10K J | チ | ッ | ブ | 067497 | 03 |
| R44 | AA6288R | CARBON RESISTOR (CHIP) | 10K J | チ | ッ | ブ | 067497 | 03 |
| R45 | WJ606700 | CARBON RESISTOR (CHIP) | 6.8K J | チ | ッ | ブ | 067558 | 01 |
| R46 | WJ606700 | CARBON RESISTOR (CHIP) | 6.8K J | チ | ッ | ブ | 067558 | 01 |
| R47 | AA6315R | CARBON RESISTOR (CHIP) | 10 J | チ | ッ | ブ | 067492 | 01 |
| R51 | AA6315R | CARBON RESISTOR (CHIP) | 10 J | チ | ッ | ブ | 067492 | 01 |
| R52 | AA6315R | CARBON RESISTOR (CHIP) | 10 J | チ | ッ | ブ | 067492 | 01 |
| R53 | AA6288R | CARBON RESISTOR (CHIP) | 10K J | チ | ッ | ブ | 067497 | 03 |
| R54 | AA6288R | CARBON RESISTOR (CHIP) | 10K J | チ | ッ | ブ | 067497 | 03 |
| R55 | WJ606700 | CARBON RESISTOR (CHIP) | 6.8K J | チ | ッ | ブ | 067558 | 01 |
| R56 | WJ606700 | CARBON RESISTOR (CHIP) | 6.8K J | チ | ッ | ブ | 067558 | 01 |
| R57 | AA6315R | CARBON RESISTOR (CHIP) | 10 J | チ | ッ | ブ | 067492 | 01 |
| R58 | WJ599500 | CARBON RESISTOR (CHIP) | 100 J | チ | ッ | ブ | 067493 | 01 |
| R61 | AA6315R | CARBON RESISTOR (CHIP) | 10 J | チ | ッ | ブ | 067492 | 01 |
| R62 | AA6315R | CARBON RESISTOR (CHIP) | 10 J | チ | ッ | ブ | 067492 | 01 |
| R63 | AA6288R | CARBON RESISTOR (CHIP) | 10K J | チ | ッ | ブ | 067497 | 03 |
| R64 | AA6288R | CARBON RESISTOR (CHIP) | 10K J | チ | ッ | ブ | 067497 | 03 |
| R65 | WJ606700 | CARBON RESISTOR (CHIP) | 6.8K J | チ | ッ | ブ | 067558 | 01 |
| R66 | WJ606700 | CARBON RESISTOR (CHIP) | 6.8K J | チ | ッ | ブ | 067558 | 01 |
| R67 | AA6315R | CARBON RESISTOR (CHIP) | 10 J | チ | ッ | ブ | 067492 | 01 |
| R71 | AA6315R | CARBON RESISTOR (CHIP) | 10 J | チ | ッ | ブ | 067492 | 01 |
| R72 | AA6315R | CARBON RESISTOR (CHIP) | 10 J | チ | ッ | ブ | 067492 | 01 |
| R73 | AA6288R | CARBON RESISTOR (CHIP) | 10K J | チ | ッ | ブ | 067497 | 03 |
| R74 | AA6288R | CARBON RESISTOR (CHIP) | 10K J | チ | ッ | ブ | 067497 | 03 |
| R75 | WJ606700 | CARBON RESISTOR (CHIP) | 6.8K J | チ | ッ | ブ | 067558 | 01 |
| R76 | WJ606700 | CARBON RESISTOR (CHIP) | 6.8K J | チ | ッ | ブ | 067558 | 01 |
| R77 | AA6315R | CARBON RESISTOR (CHIP) | 10 J | チ | ッ | ブ | 067492 | 01 |
| R78 | WJ599500 | CARBON RESISTOR (CHIP) | 100 J | チ | ッ | ブ | 067493 | 01 |
| R81 | AA6315R | CARBON RESISTOR (CHIP) | 10 J | チ | ッ | ブ | 067492 | 01 |
| R82 | AA6315R | CARBON RESISTOR (CHIP) | 10 J | チ | ッ | ブ | 067492 | 01 |
| R83 | AA6288R | CARBON RESISTOR (CHIP) | 10K J | チ | ッ | ブ | 067497 | 03 |
| R84 | AA6288R | CARBON RESISTOR (CHIP) | 10K J | チ | ッ | ブ | 067497 | 03 |
| R85 | WJ606700 | CARBON RESISTOR (CHIP) | 6.8K J | チ | ッ | ブ | 067558 | 01 |
| R86 | WJ606700 | CARBON RESISTOR (CHIP) | 6.8K J | チ | ッ | ブ | 067558 | 01 |
| R87 | AA6315R | CARBON RESISTOR (CHIP) | 10 J | チ | ッ | ブ | 067492 | 01 |
| * S11 | WR971900 | SLIDE SWITCH | SS-43D28-G6NS | ス | ラ | イ | 484457 | W |
| * S12 | WR971700 | SLIDE SWITCH | SSSF014800 | ス | ラ | イ | 416849 | S W |
| * S13 | WR971700 | SLIDE SWITCH | SSSF014800 | ス | ラ | イ | 416849 | S W |

* : New Parts

RANK: Japan only

REAR

| REF NO. | PART NO. | DESCRIPTION | | 部 品 名 | REMARKS | QTY | RANK |
|---------|----------|--------------------------|--------------------|-------------------|---------|--------|------|
| * S31 | WR971900 | SLIDE SWITCH | SS-43D28-G6NS | ス ラ イ ド S W | | 484457 | |
| * S51 | WR971900 | SLIDE SWITCH | SS-43D28-G6NS | ス ラ イ ド S W | | 484457 | |
| * S71 | WR971900 | SLIDE SWITCH | SS-43D28-G6NS | ス ラ イ ド S W | | 484457 | |
| ZN11 | AA6319R | VARISTOR | AVR-M1608C270KT2AB | バ リ ス タ | | 374351 | 02 |
| ZN12 | AA6319R | VARISTOR | AVR-M1608C270KT2AB | バ リ ス タ | | 374351 | 02 |
| * ZN13 | WR959700 | CERAMIC CAPACITOR (CHIP) | 470pF 50V K | チ ッ プ 積 層 セ ラ コ ン | | 065514 | |
| * ZN14 | WR959700 | CERAMIC CAPACITOR (CHIP) | 470pF 50V K | チ ッ プ 積 層 セ ラ コ ン | | 065514 | |
| ZN21 | AA6319R | VARISTOR | AVR-M1608C270KT2AB | バ リ ス タ | | 374351 | 02 |
| ZN22 | AA6319R | VARISTOR | AVR-M1608C270KT2AB | バ リ ス タ | | 374351 | 02 |
| * ZN23 | WR959700 | CERAMIC CAPACITOR (CHIP) | 470pF 50V K | チ ッ プ 積 層 セ ラ コ ン | | 065514 | |
| * ZN24 | WR959700 | CERAMIC CAPACITOR (CHIP) | 470pF 50V K | チ ッ プ 積 層 セ ラ コ ン | | 065514 | |
| ZN31 | AA6319R | VARISTOR | AVR-M1608C270KT2AB | バ リ ス タ | | 374351 | 02 |
| ZN32 | AA6319R | VARISTOR | AVR-M1608C270KT2AB | バ リ ス タ | | 374351 | 02 |
| ZN33 | WR959700 | CERAMIC CAPACITOR (CHIP) | 470pF 50V K | チ ッ プ 積 層 セ ラ コ ン | | 065514 | |
| * ZN34 | WR959700 | CERAMIC CAPACITOR (CHIP) | 470pF 50V K | チ ッ プ 積 層 セ ラ コ ン | | 065514 | |
| ZN41 | AA6319R | VARISTOR | AVR-M1608C270KT2AB | バ リ ス タ | | 374351 | 02 |
| ZN42 | AA6319R | VARISTOR | AVR-M1608C270KT2AB | バ リ ス タ | | 374351 | 02 |
| ZN43 | WR959700 | CERAMIC CAPACITOR (CHIP) | 470pF 50V K | チ ッ プ 積 層 セ ラ コ ン | | 065514 | |
| * ZN44 | WR959700 | CERAMIC CAPACITOR (CHIP) | 470pF 50V K | チ ッ プ 積 層 セ ラ コ ン | | 065514 | |
| ZN51 | AA6319R | VARISTOR | AVR-M1608C270KT2AB | バ リ ス タ | | 374351 | 02 |
| ZN52 | AA6319R | VARISTOR | AVR-M1608C270KT2AB | バ リ ス タ | | 374351 | 02 |
| ZN53 | WR959700 | CERAMIC CAPACITOR (CHIP) | 470pF 50V K | チ ッ プ 積 層 セ ラ コ ン | | 065514 | |
| * ZN54 | WR959700 | CERAMIC CAPACITOR (CHIP) | 470pF 50V K | チ ッ プ 積 層 セ ラ コ ン | | 065514 | |
| ZN61 | AA6319R | VARISTOR | AVR-M1608C270KT2AB | バ リ ス タ | | 374351 | 02 |
| ZN62 | AA6319R | VARISTOR | AVR-M1608C270KT2AB | バ リ ス タ | | 374351 | 02 |
| * ZN63 | WR959700 | CERAMIC CAPACITOR (CHIP) | 470pF 50V K | チ ッ プ 積 層 セ ラ コ ン | | 065514 | |
| * ZN64 | WR959700 | CERAMIC CAPACITOR (CHIP) | 470pF 50V K | チ ッ プ 積 層 セ ラ コ ン | | 065514 | |
| ZN71 | AA6319R | VARISTOR | AVR-M1608C270KT2AB | バ リ ス タ | | 374351 | 02 |
| ZN72 | AA6319R | VARISTOR | AVR-M1608C270KT2AB | バ リ ス タ | | 374351 | 02 |
| * ZN73 | WR959700 | CERAMIC CAPACITOR (CHIP) | 470pF 50V K | チ ッ プ 積 層 セ ラ コ ン | | 065514 | |
| * ZN74 | WR959700 | CERAMIC CAPACITOR (CHIP) | 470pF 50V K | チ ッ プ 積 層 セ ラ コ ン | | 065514 | |
| ZN81 | AA6319R | VARISTOR | AVR-M1608C270KT2AB | バ リ ス タ | | 374351 | 02 |
| ZN82 | AA6319R | VARISTOR | AVR-M1608C270KT2AB | バ リ ス タ | | 374351 | 02 |
| * ZN83 | WR959700 | CERAMIC CAPACITOR (CHIP) | 470pF 50V K | チ ッ プ 積 層 セ ラ コ ン | | 065514 | |
| * ZN84 | WR959700 | CERAMIC CAPACITOR (CHIP) | 470pF 50V K | チ ッ プ 積 層 セ ラ コ ン | | 065514 | |

* : New Parts

RANK: Japan only

POWER AMPLIFIER

IPA 8200

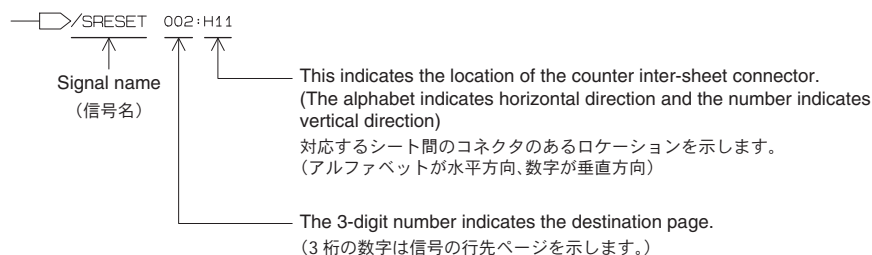
CIRCUIT DIAGRAM

■ CONTENTS (目次)

| | |
|----------------------------------|----|
| IC & DIODE FIGURES (外形図) | 2 |
| WIRING DIAGRAM (基板結線図) | 3 |
| BLOCK DIAGRAM (ブロックダイアグラム) | 4 |
| CIRCUIT DIAGRAM (回路図) | |
| REAR 1/3 | 5 |
| REAR 2/3 | 6 |
| REAR 3/3 | 7 |
| FRONT 1/4 | 8 |
| FRONT 2/4 | 9 |
| FRONT 3/4 | 10 |
| FRONT 4/4 | 11 |
| MOTHER A-D 1/2 | 12 |
| MOTHER A-D 2/2 | 13 |
| MOTHER E-H 1/2 | 14 |
| MOTHER E-H 2/2 | 15 |
| AMP | 16 |
| INPUT POWER | 17 |
| POWER | 18 |
| CONNECTOR, LED | 19 |

Notation for Circuit Diagrams (回路図表記上の注意)

How to identify inter-sheet connectors (シート間コネクタの読み方について)

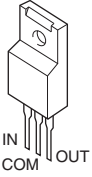
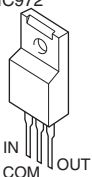
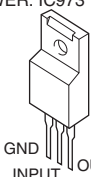
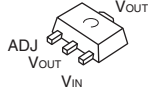
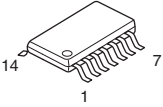
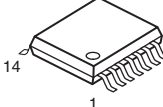
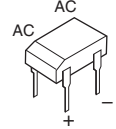
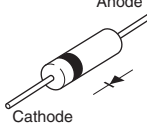
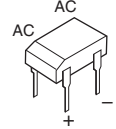
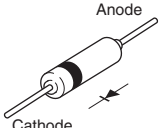
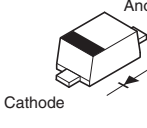
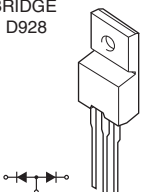
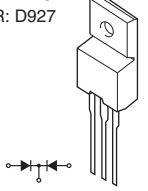
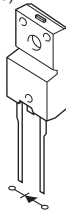
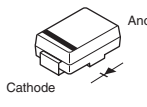
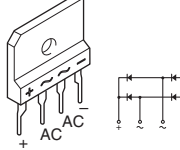
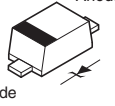


■ WARNING (注意)

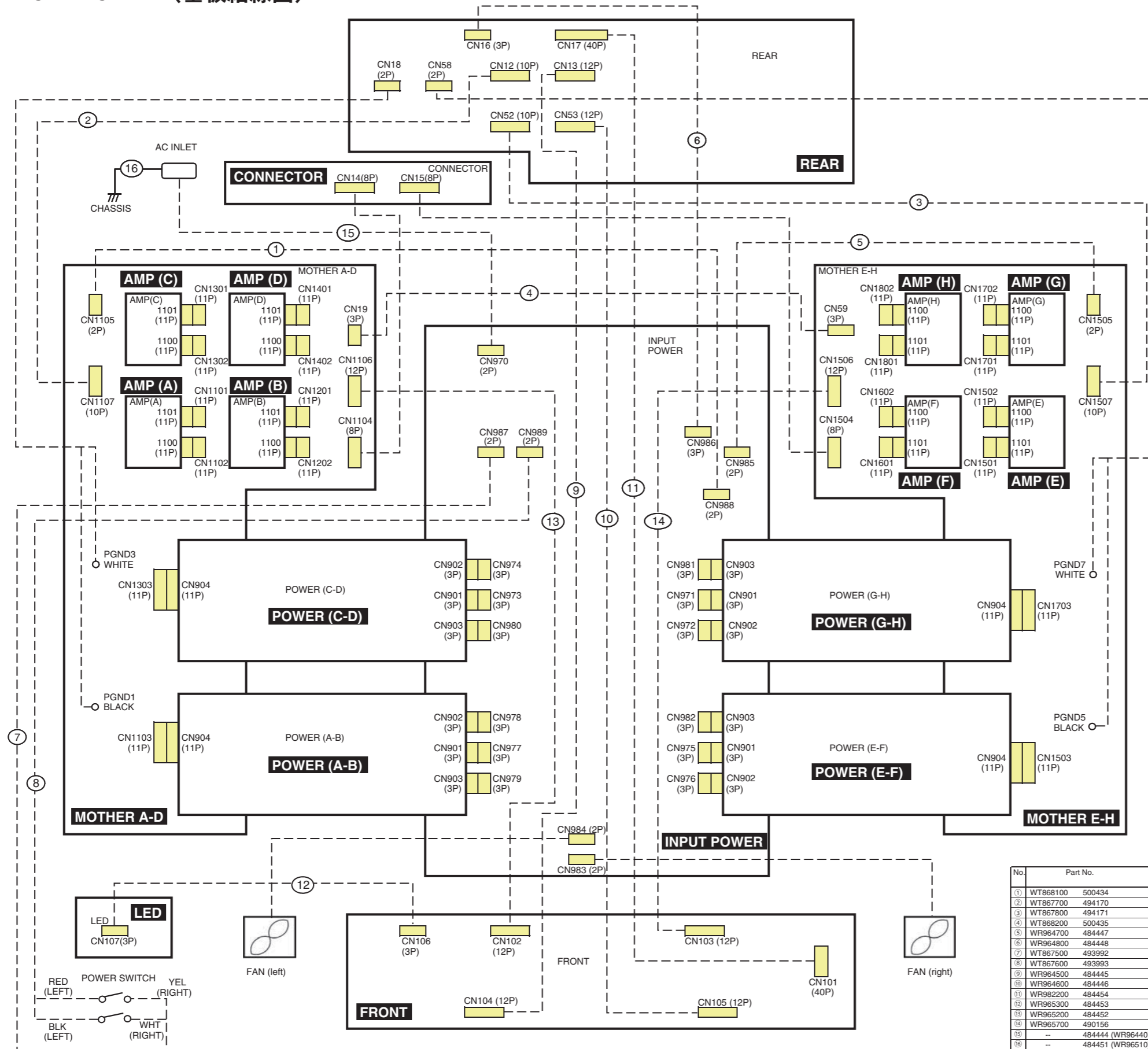
Components having special characteristics are marked \triangle and must be replaced with parts having specification equal to those originally installed.

\triangle 印の商品は、安全を維持するために重要な部品です。交換する場合は、安全のために必ず指定の部品をご使用ください。

■ IC & DIODE FIGURES (外形図)

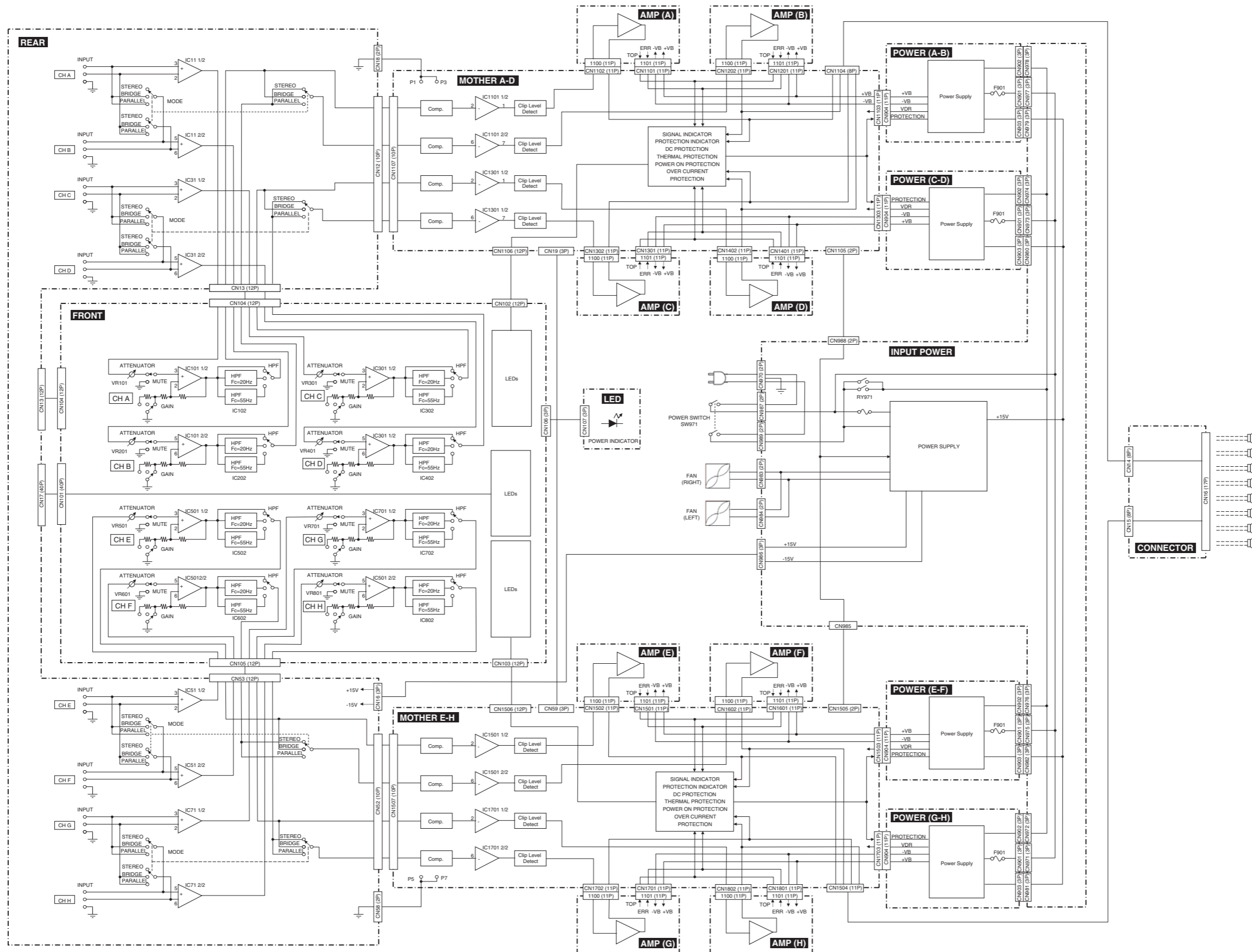
| | | | |
|---|---|---|---|
| <ul style="list-style-type: none"> • KIA7812API-U/P (YA882A00) REGULATOR POWER: IC903  | <ul style="list-style-type: none"> • KIA7815API-U/P (AAX6364R) REGULATOR INPUT POWER: IC972  | <ul style="list-style-type: none"> • KIA7915PI-U/P (AAX6366R) REGULATOR INPUT POWER: IC973  | <ul style="list-style-type: none"> • LM317EMPX/NOPB (YC319A00) REGULATOR MOTHER E-H: IC1  |
| <ul style="list-style-type: none"> • TC74VCX04FK (YC320A00) INVERTER MOTHER E-H: IC2  | <ul style="list-style-type: none"> • NJU4066BV TE1 (YA884A00) ANALOG SWITCH FRONT: IC103, 203, 303, 403, IC503, 603, 703  | | |
| <ul style="list-style-type: none"> • 1N5406 (WR972100) DIODE POWER: D904 | <ul style="list-style-type: none"> • SFR1T6 T (WP914400) DIODE INPUT POWER: D974 POWER: D902, 903 | <ul style="list-style-type: none"> • DB106G (WR972500) DIODE INPUT POWER: D972  | |
| <ul style="list-style-type: none"> • AL01Z (WR972300) DIODE INPUT POWER: D976, 977, 981, D982, 989-992 POWER: D921-924 | <ul style="list-style-type: none"> • SRT14A1-T-LF (WP043100) DIODE INPUT POWER: D985, 986 POWER: D907, 915, 916, 926  |  | |
| <ul style="list-style-type: none"> • 1SS133 (AAX4255R) DIODE INPUT POWER: D971, 983, 984 POWER: D910, 925 | <ul style="list-style-type: none"> • 1SS140 (WR972200) DIODE POWER: D906  | <ul style="list-style-type: none"> • MTZJ15B (WR973600) ZENER DIODE INPUT POWER: D973 | |
| <ul style="list-style-type: none"> • 1SS355 TE-17 (XX698570) DIODE REAR: D11, 13 MOTHER A-D: D1102-1106, 1206, D1302-1306, 1406 MOTHER E-H: D1, 2, 1502-1506, 1606, D1702-1706, 1806 INPUT POWER: D975 POWER: D913, 914, 929, 930, 935 | <ul style="list-style-type: none"> • RB501V-40 TE-417 T (WP067100) DIODE REAR: D12, 14  | <ul style="list-style-type: none"> • FMG-22R 10A (WN964200) DIODE BRIDGE POWER: D928  | |
| <ul style="list-style-type: none"> • FMG-22S 10A (WN959300) DIODE BRIDGE POWER: D927  | <ul style="list-style-type: none"> • FMX-G26S (WR972400) DIODE POWER: D905  | <ul style="list-style-type: none"> • P4SMA250A-E3/61 (WR972700) DIODE INPUT POWER: D988 POWER: D908, 909  | <ul style="list-style-type: none"> • RBV-606 6.0A 600V (WR972000) DIODE STACK POWER: D901  |
| <ul style="list-style-type: none"> • UDZS5.6B TE-17 (WP899000) ZENER DIODE MOTHER A-D: D1109, 1209, 1309, 1409 MOTHER E-H: D1509, 1609, 1709, 1809 | <ul style="list-style-type: none"> • UDZS8.2B 8.2V (WR966100) ZENER DIODE POWER: D912 | <ul style="list-style-type: none"> • UDZS36B 36V (WR966200) ZENER DIODE POWER: D931-934  | |

■ WIRING DIAGRAM (基板結線図)



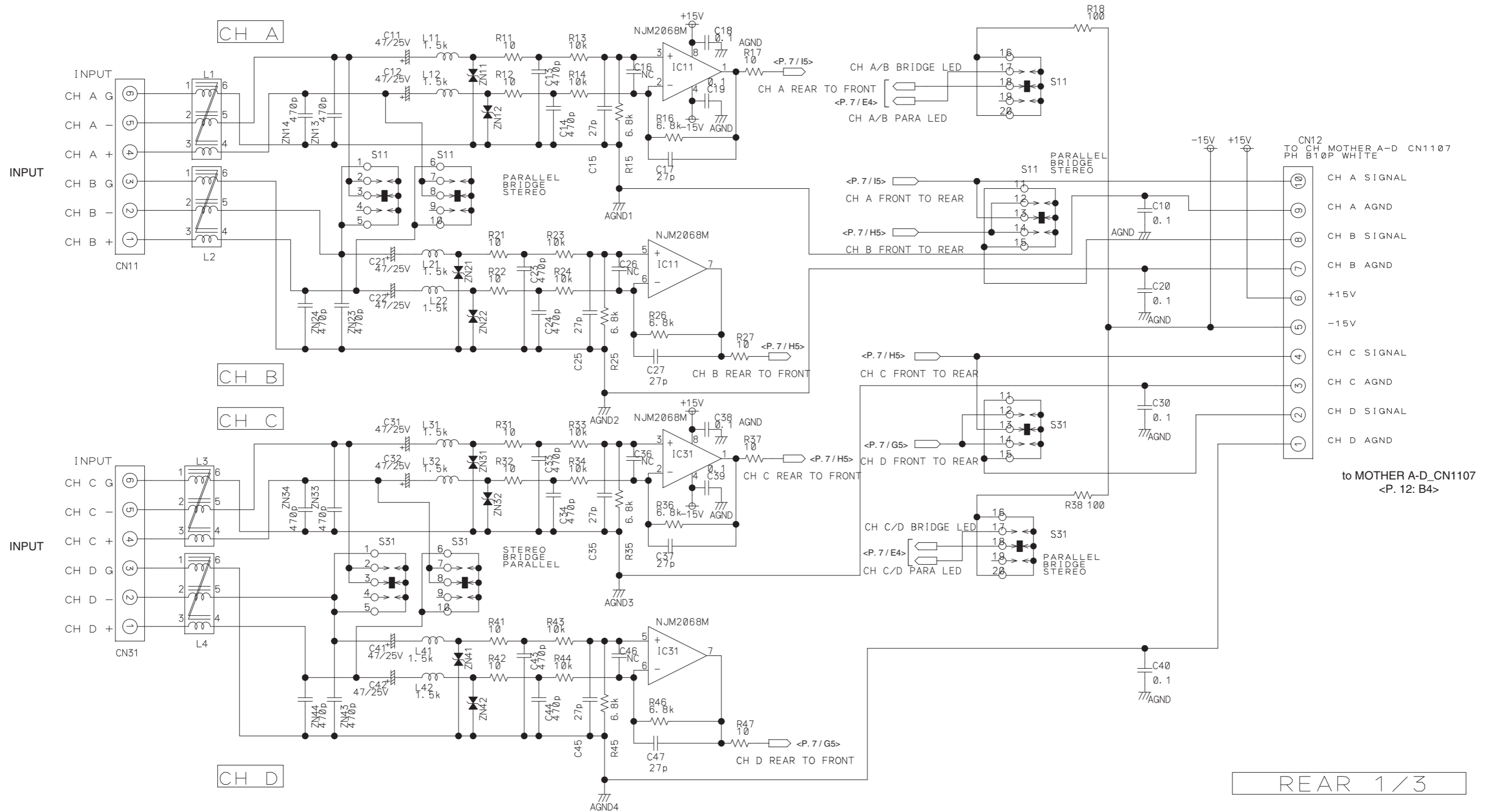
| No. | Part No. | Assembly Name 組立名 | Remarks 備考 | Location |
|-----|---------------------|----------------------|------------------------|---------------------------------|
| ① | WT868100 500434 | CONNECTOR ASSEMBLY | 束線 PH-PH 2P-380 | OVERALL ASSEMBLY 54 |
| ② | WT867700 494170 | CONNECTOR ASSEMBLY | 束線 PH-PH 10P-A | OVERALL ASSEMBLY 55 |
| ③ | WT867800 494171 | CONNECTOR ASSEMBLY | 束線 PH-PH 10P-B | OVERALL ASSEMBLY 56 |
| ④ | WT868200 500435 | CONNECTOR ASSEMBLY | 束線 ZH-ZH 1P3 340 | OVERALL ASSEMBLY 57 |
| ⑤ | WR964700 484447 | CONNECTOR ASSEMBLY | 束線 PH-PH 2P XM8 | OVERALL ASSEMBLY 58 |
| ⑥ | WR964800 484448 | CONNECTOR ASSEMBLY | 束線 PH-PH 3P XM8 | OVERALL ASSEMBLY 68 |
| ⑦ | WT867500 493992 | CONNECTOR ASSEMBLY | 束線 VH-STO A3M4A (Y/W) | OVERALL ASSEMBLY 83b |
| ⑧ | WT867600 493993 | CONNECTOR ASSEMBLY | 束線 VH-STO A3M4B (R/B) | OVERALL ASSEMBLY 83c |
| ⑨ | WR964500 484445 | CONNECTOR ASSEMBLY | 束線 PH-PH 12P-A | FRONT CIRCUIT BOARD ASSEMBLY 8 |
| ⑩ | WR964600 484446 | CONNECTOR ASSEMBLY | 束線 PH-PH 12P-B | FRONT CIRCUIT BOARD ASSEMBLY 9 |
| ⑪ | WR982200 484454 | FFC CABLE | FFCケーブル XM8 LF | FRONT CIRCUIT BOARD ASSEMBLY 10 |
| ⑫ | WR965300 484453 | CONNECTOR ASSEMBLY | 束線 ZH-ZH 2P3 XM8 | FRONT CIRCUIT BOARD ASSEMBLY 11 |
| ⑬ | WR965200 484452 | CONNECTOR ASSEMBLY | 束線 ZH-ZH 12P-A XM8 | FRONT CIRCUIT BOARD ASSEMBLY 12 |
| ⑭ | WR965700 490156 | CONNECTOR ASSEMBLY | 束線 ZH-ZH 12P-B XM8 | FRONT CIRCUIT BOARD ASSEMBLY 13 |
| ⑮ | -- 484444 (WR96440) | CONNECTOR ASSEMBLY | 束線 VH2P3-A XM8 (BE/BR) | AC INLET ASSEMBLY 1 |
| ⑯ | -- 484451 (WR96510) | CORD ASSEMBLY | 束線 XM8 (GN/YL) | AC INLET ASSEMBLY 2 |

BLOCK DIAGRAM (ブロックダイアグラム)



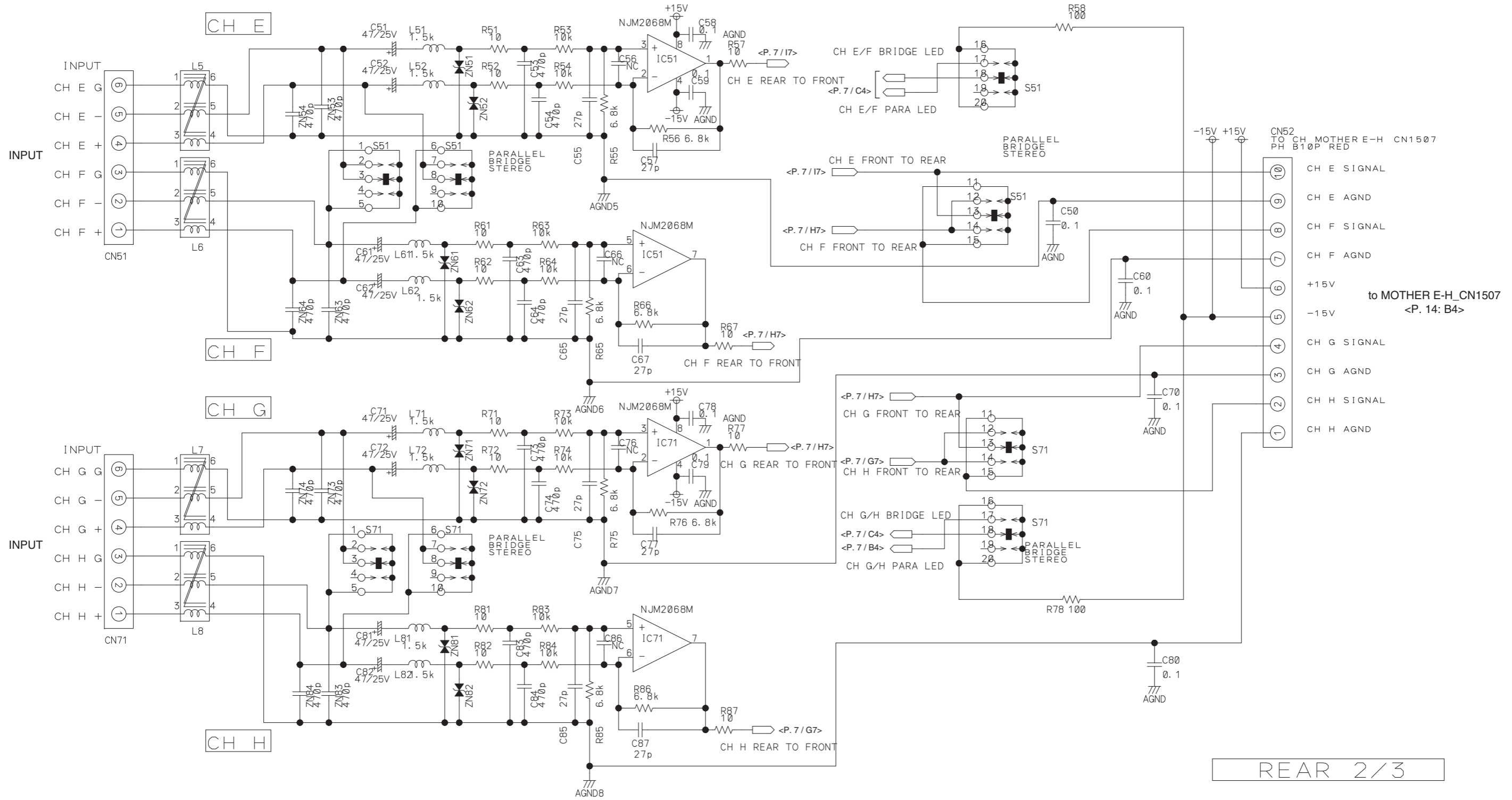
CIRCUIT DIAGRAM (回路図)

REAR 1/3



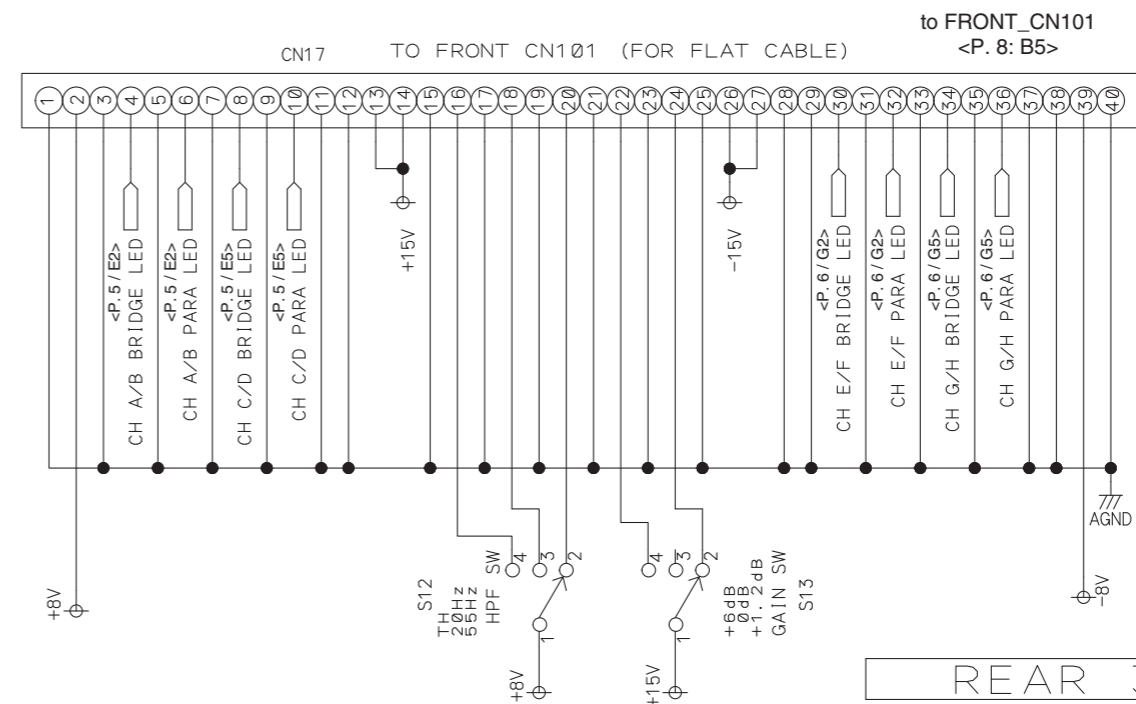
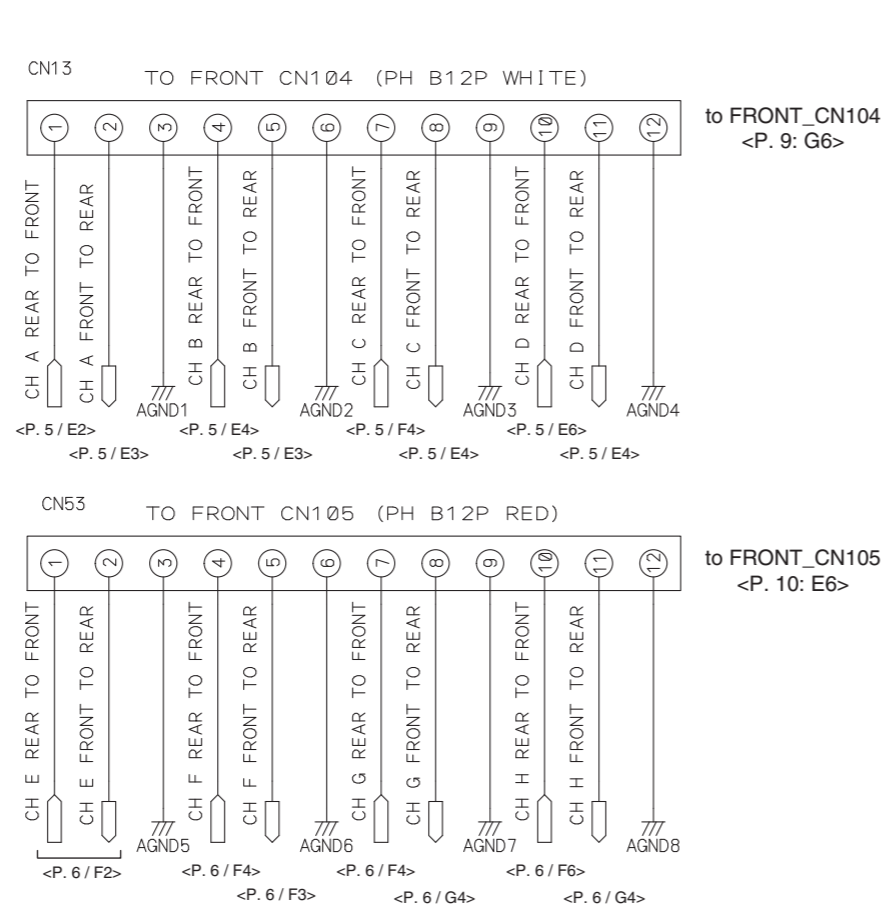
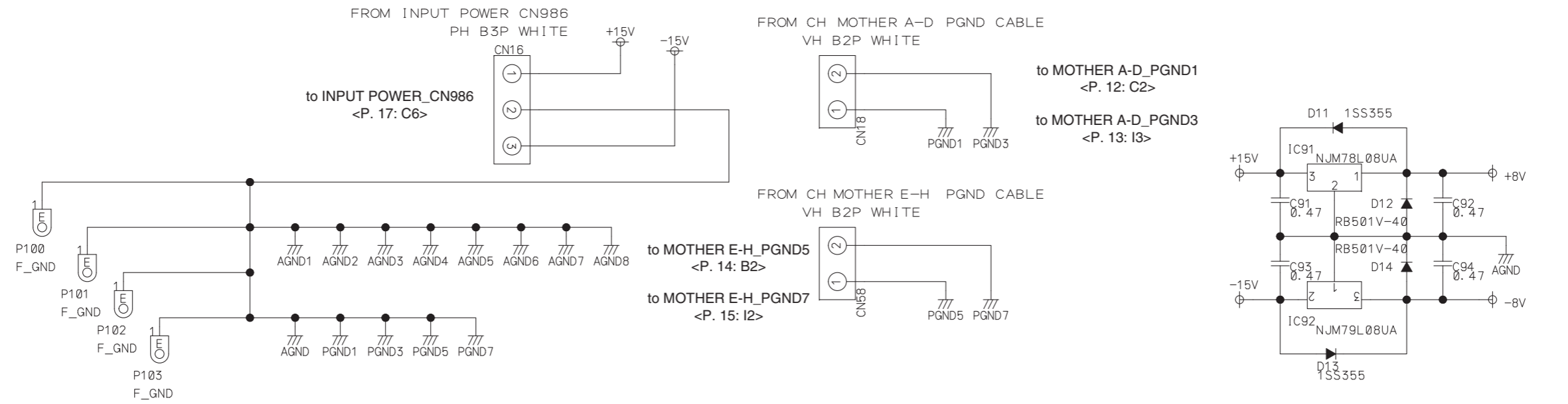
REAR 1/3

REAR 2/3



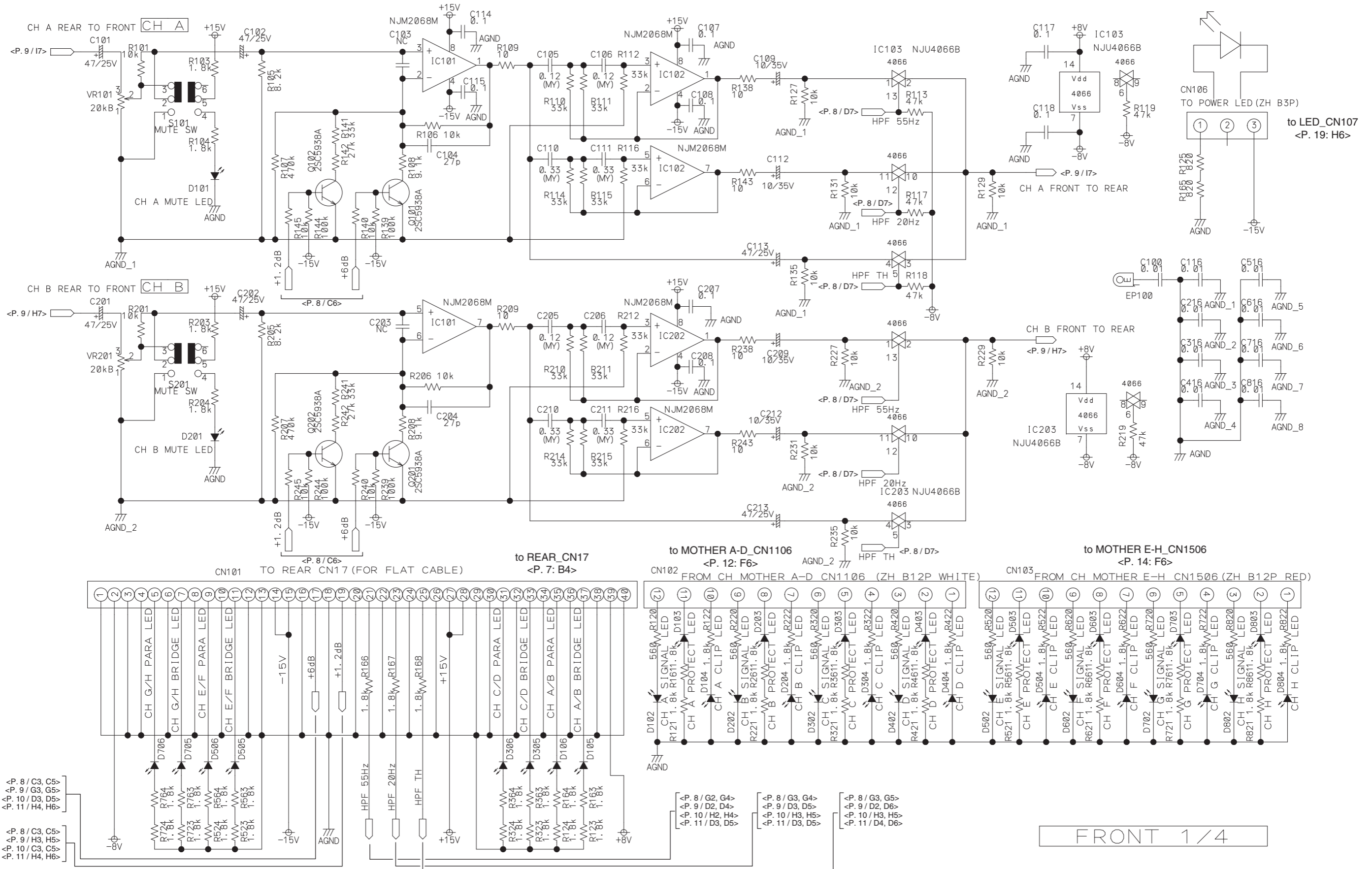
REAR 2/3

REAR 3/3



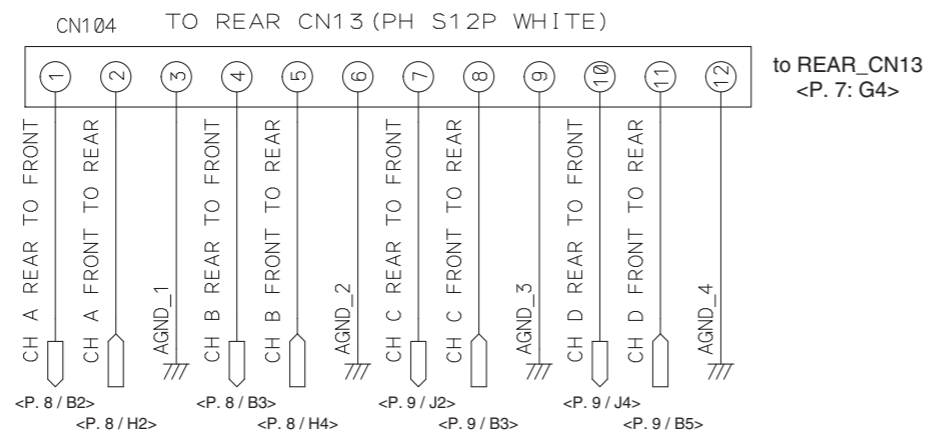
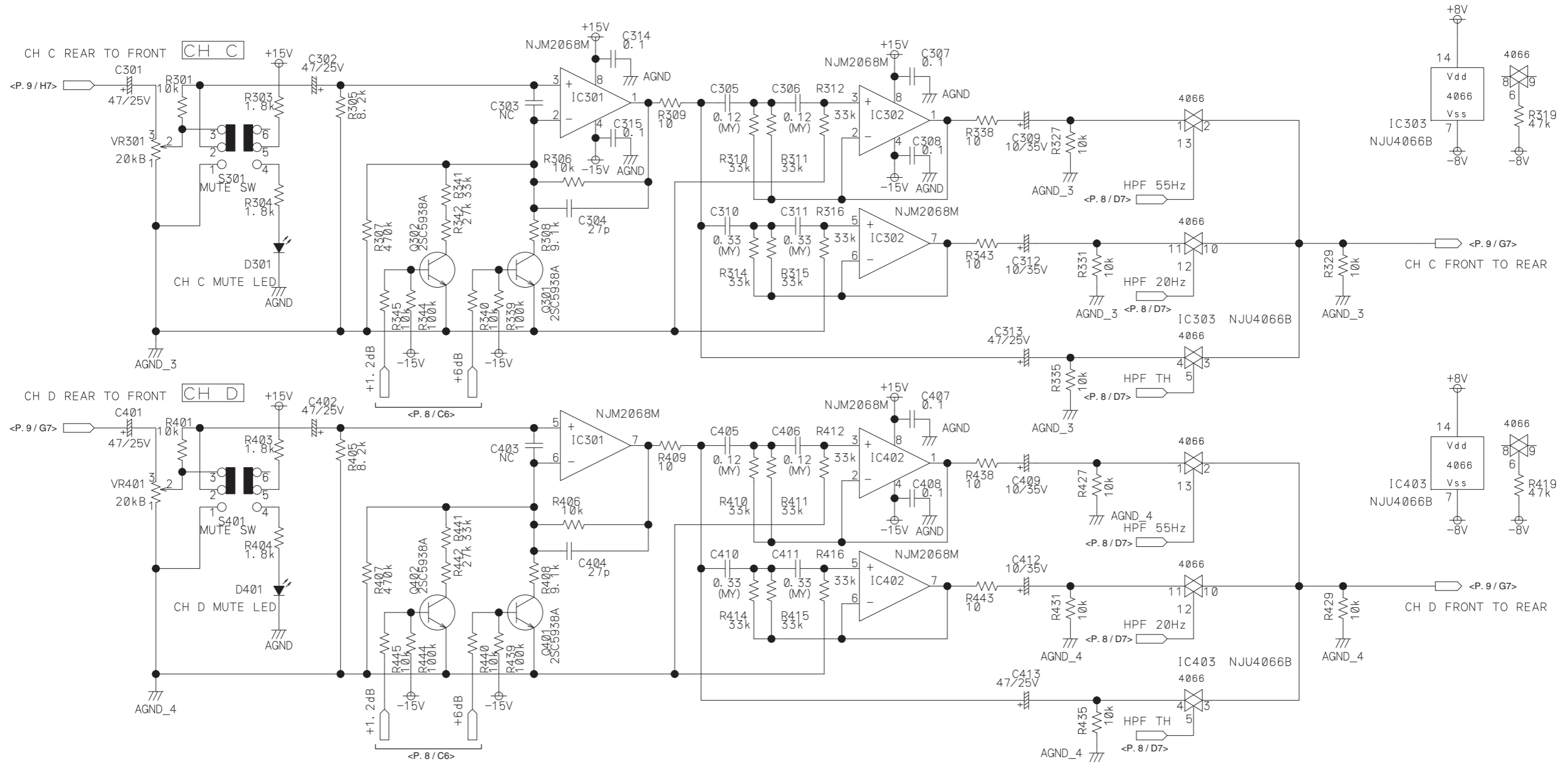
REAR 3/3

FRONT 1/4



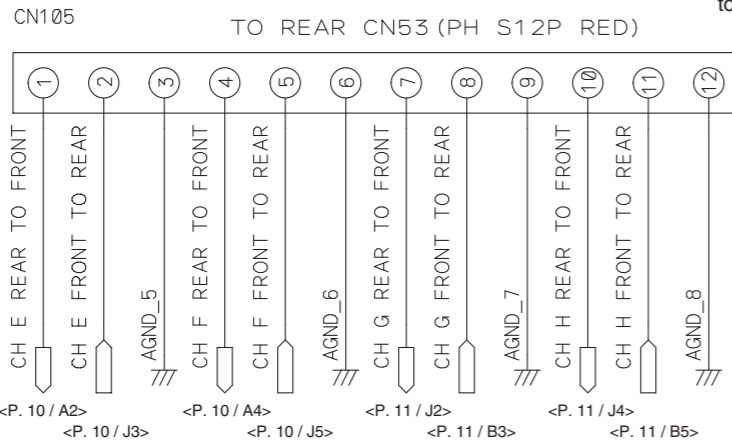
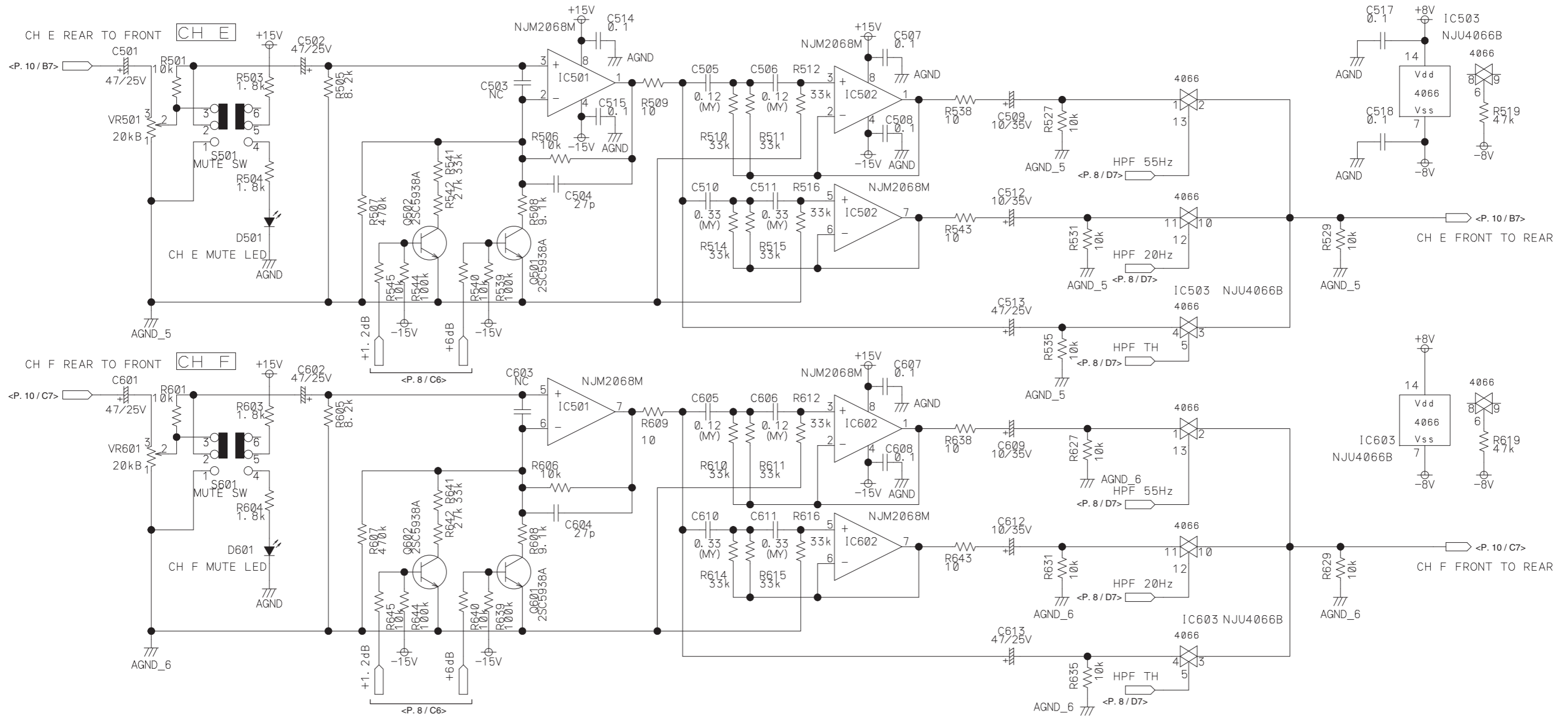
FRONT 1/4

FRONT 2/4



FRONT 2/4

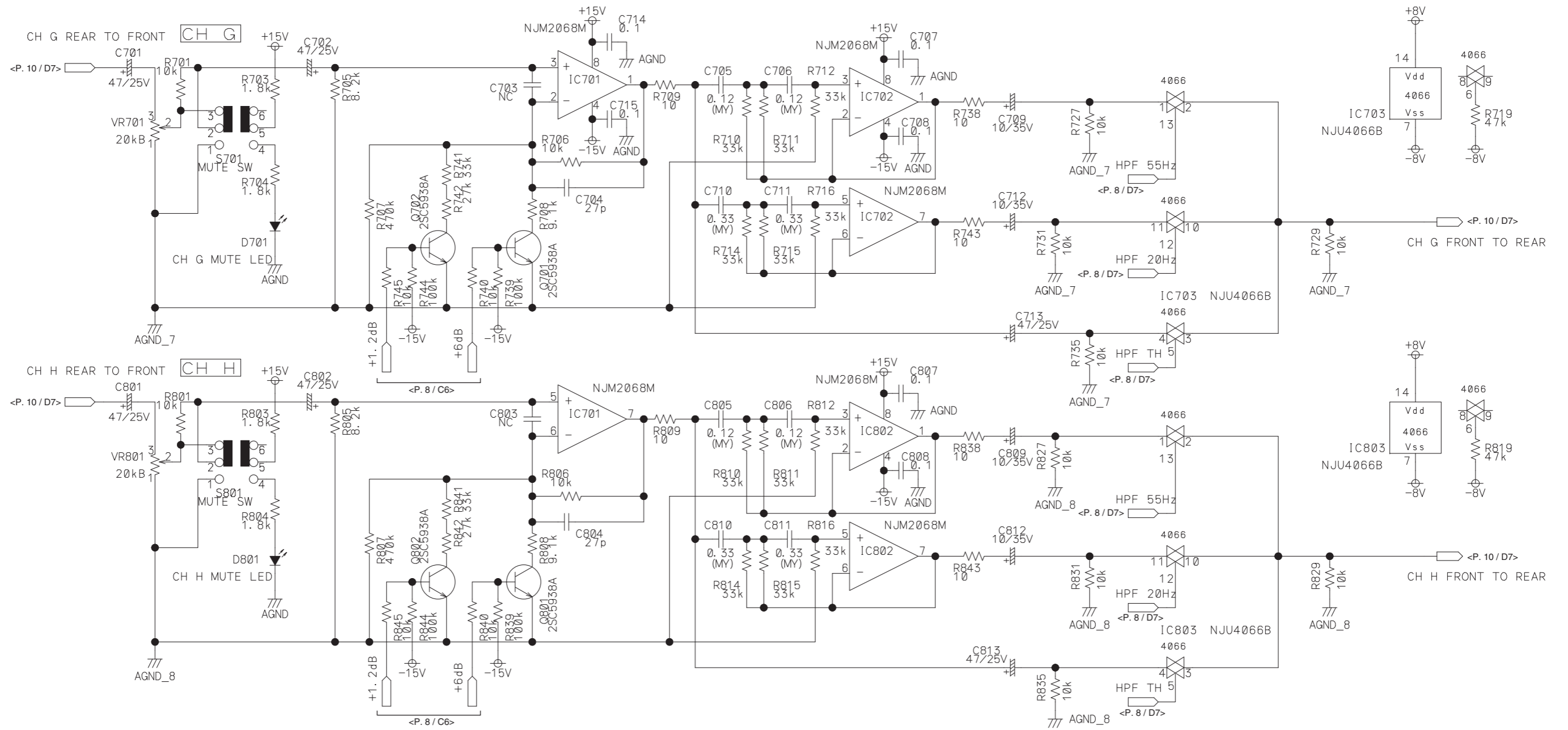
FRONT 3/4



to REAR_CN53
<P. 7: G6>

FRONT 3/4

FRONT 4/4



FRONT 4/4

MOTHER A-D 1/2

to AMP (A)_1101
<P. 16: B5>

to AMP (A)_1100
<P. 16: B2>

to AMP (B)_1101
<P. 16: B5>

to AMP (B)_1100
<P. 16: B2>

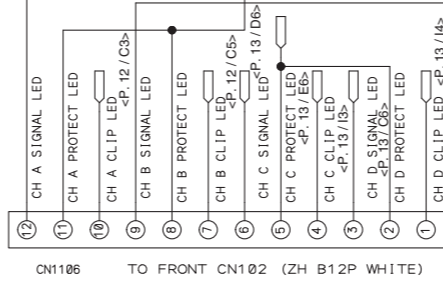
to POWER (A-B)_CN904
<P. 18: I3>

to REAR_CN12
<P. 5: B3>

to INPUT POWER_CN988
<P. 17: C5>

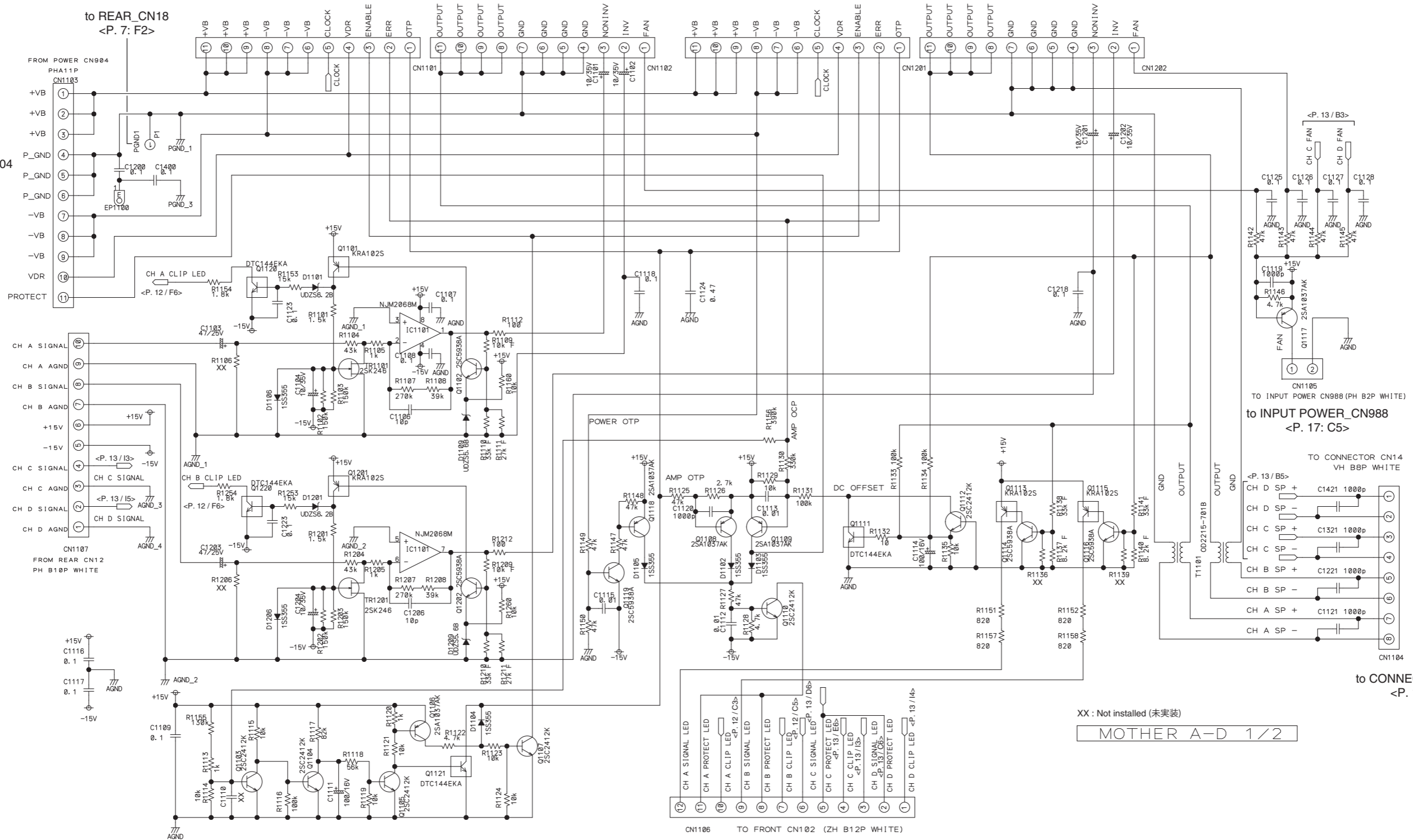
TO CONNECTOR CN14
VH B8P WHITE

to CONNECTOR_CN14
<P. 19: I2>

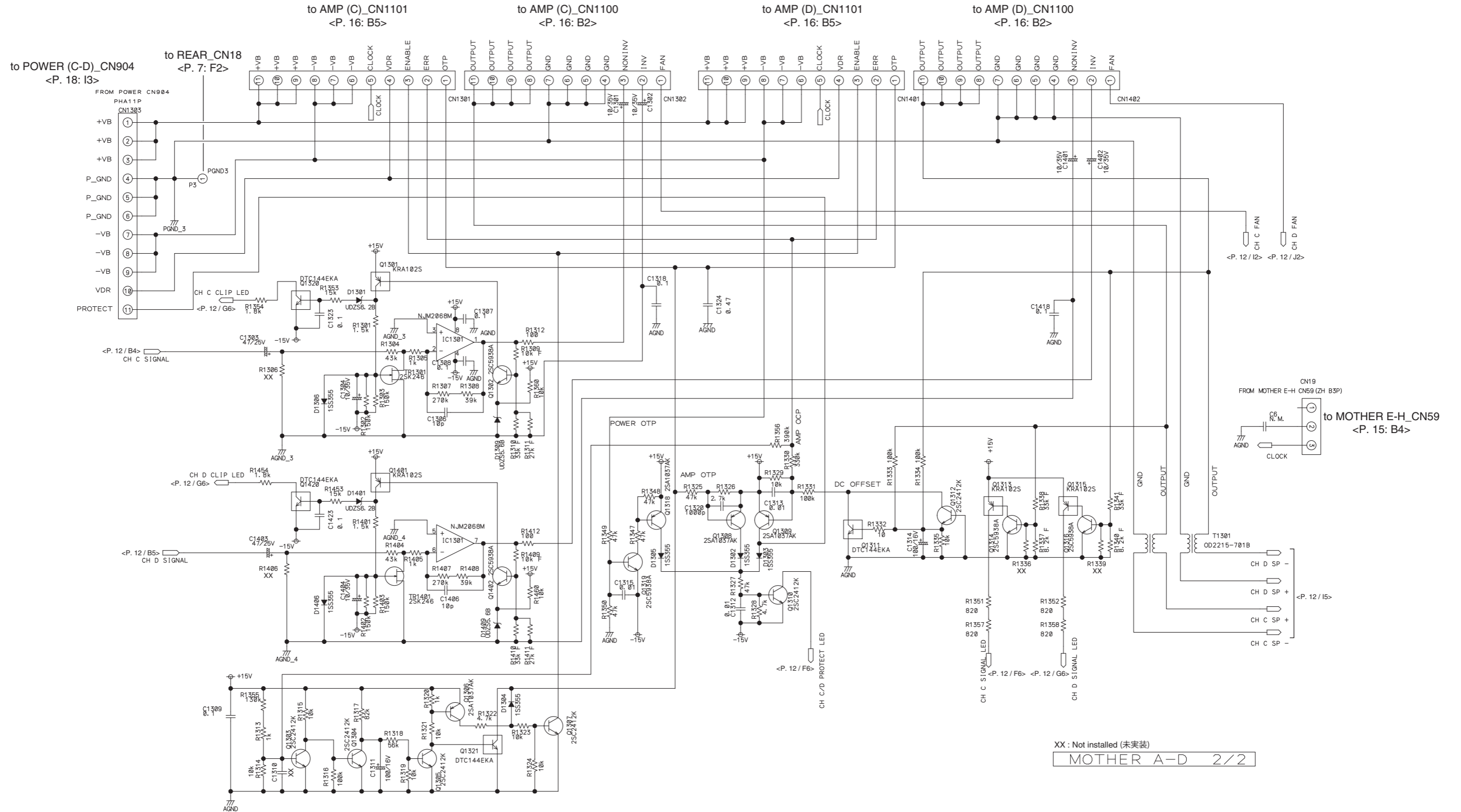


XX : Not installed (未実装)
MOTHER A-D 1/2

to FRONT_CN102
<P. 8: F5>

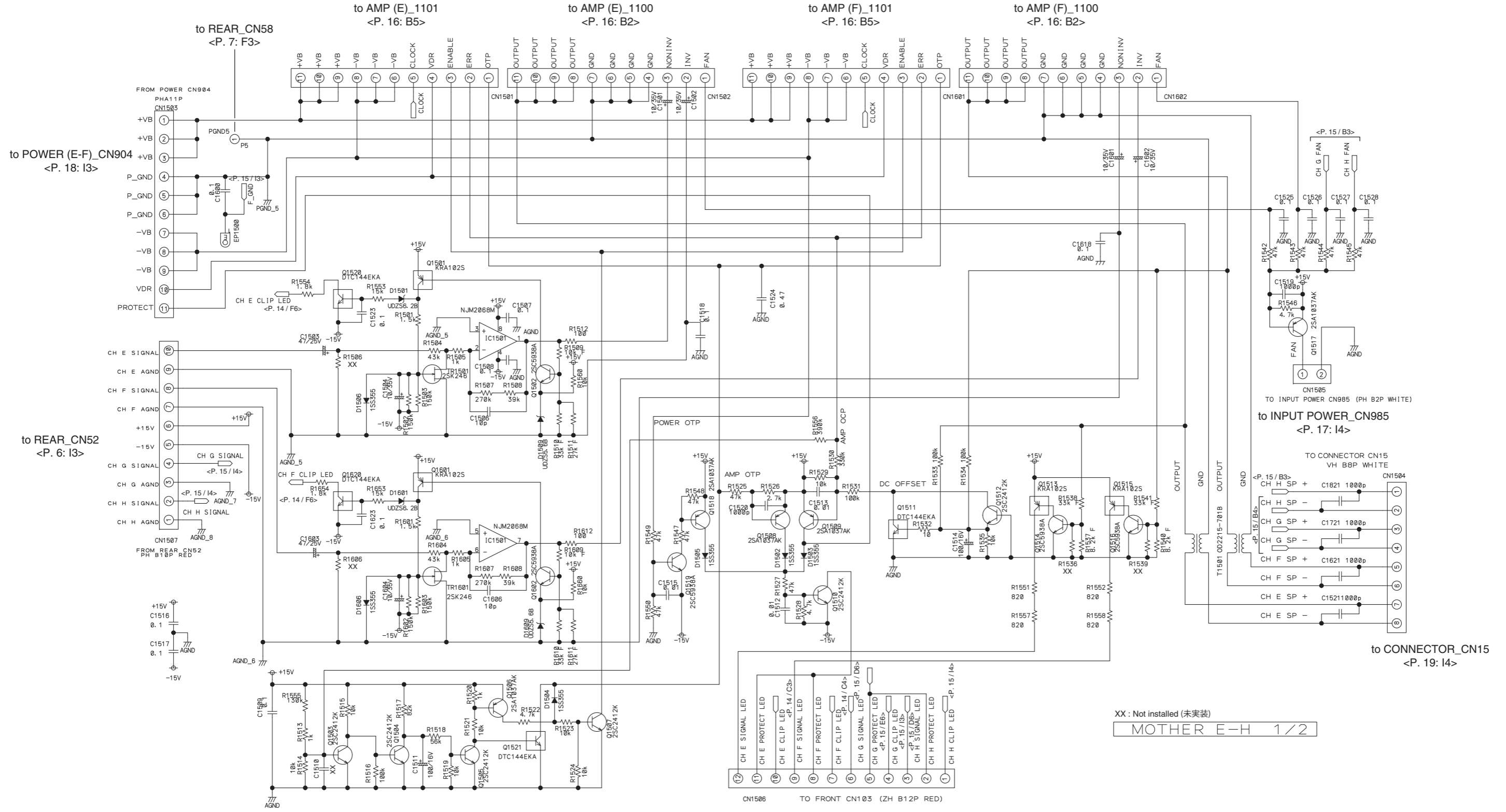


MOTHER A-D 2/2



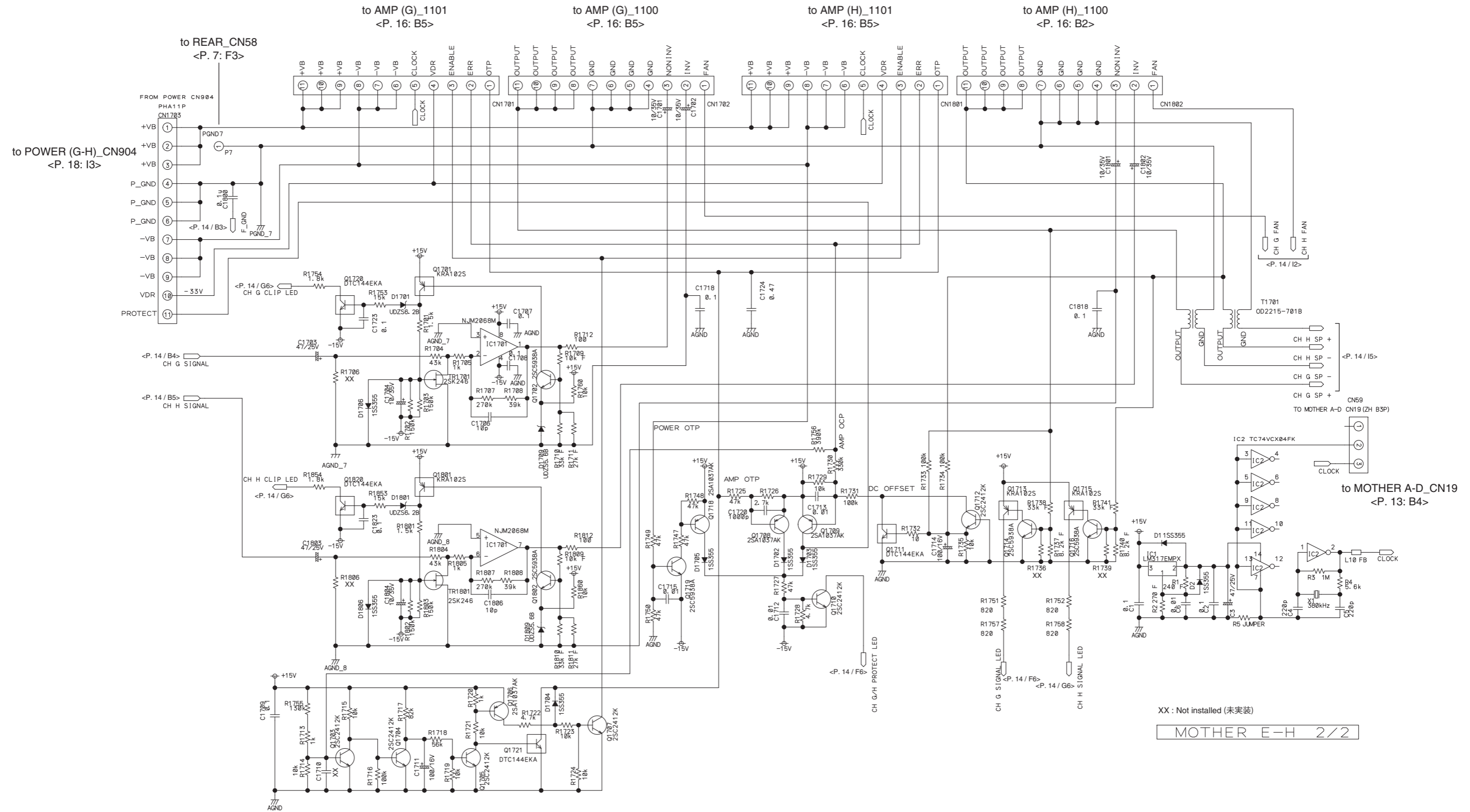
XX : Not installed (未実装)
 MOTHER A-D 2/2

MOTHER E-H 1/2



XX : Not installed (未実装)
 MOTHER E-H 1/2

MOTHER E-H 2/2

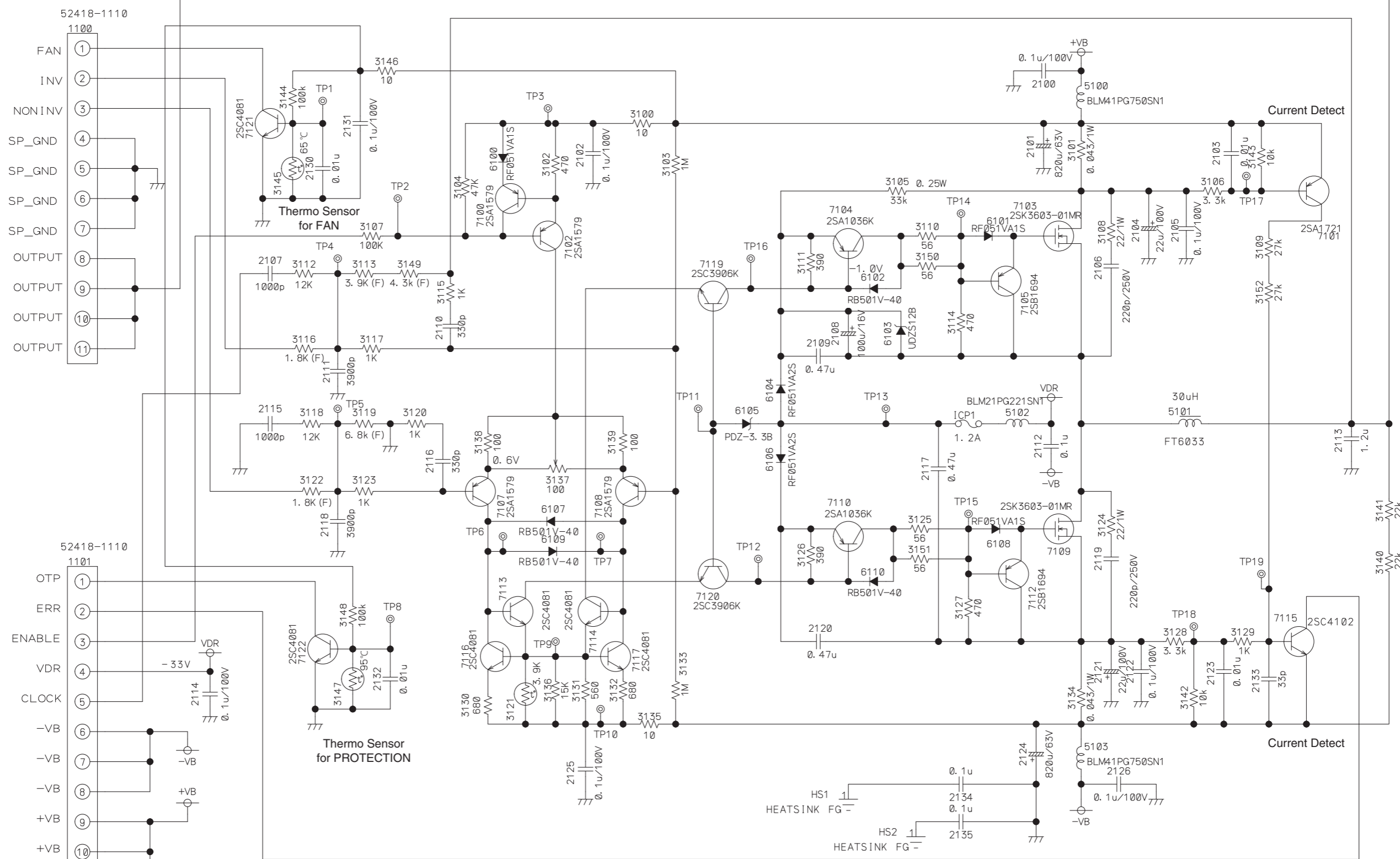


XX : Not installed (未実装)

MOTHER E-H 2/2

AMP

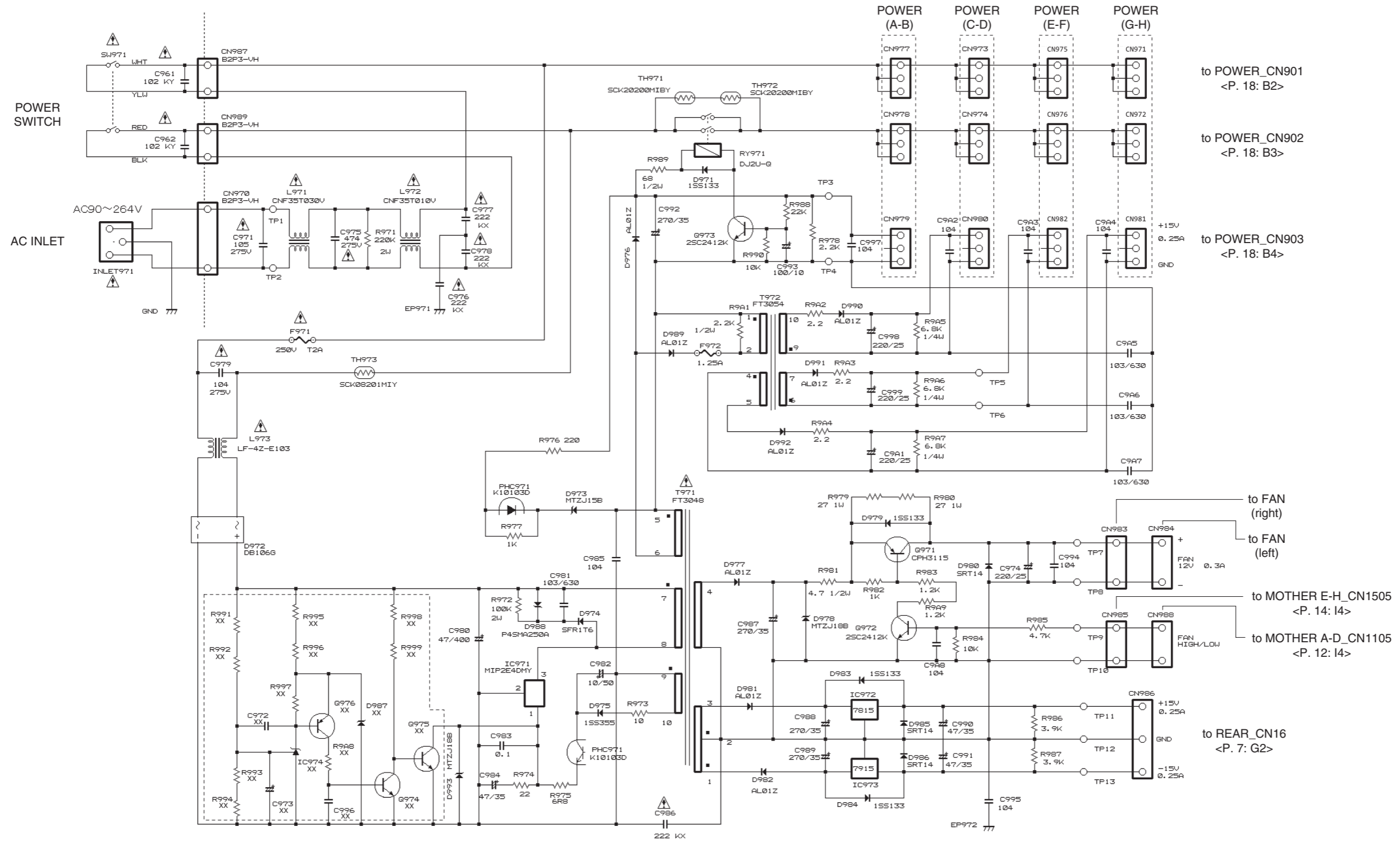
to MOTHER A-D_CN1102 <P. 12: D2>
 to MOTHER A-D_CN1202 <P. 12: G2>
 to MOTHER A-D_CN1302 <P. 13: F2>
 to MOTHER A-D_CN1402 <P. 13: C2>
 to MOTHER E-H_CN1502 <P. 14: D2>
 to MOTHER E-H_CN1602 <P. 14: G2>
 to MOTHER E-H_CN1702 <P. 15: F2>
 to MOTHER E-H_CN1802 <P. 15: C2>



to MOTHER A-D_CN1101 <P. 12: C2>
 to MOTHER A-D_CN1201 <P. 12: F2>
 to MOTHER A-D_CN1301 <P. 13: G2>
 to MOTHER A-D_CN1401 <P. 13: E2>
 -VB
 -VB
 -VB
 +VB
 +VB
 +VB

AMP (A) AMP (E)
 AMP (B) AMP (F)
 AMP (C) AMP (G)
 AMP (D) AMP (H)

INPUT POWER

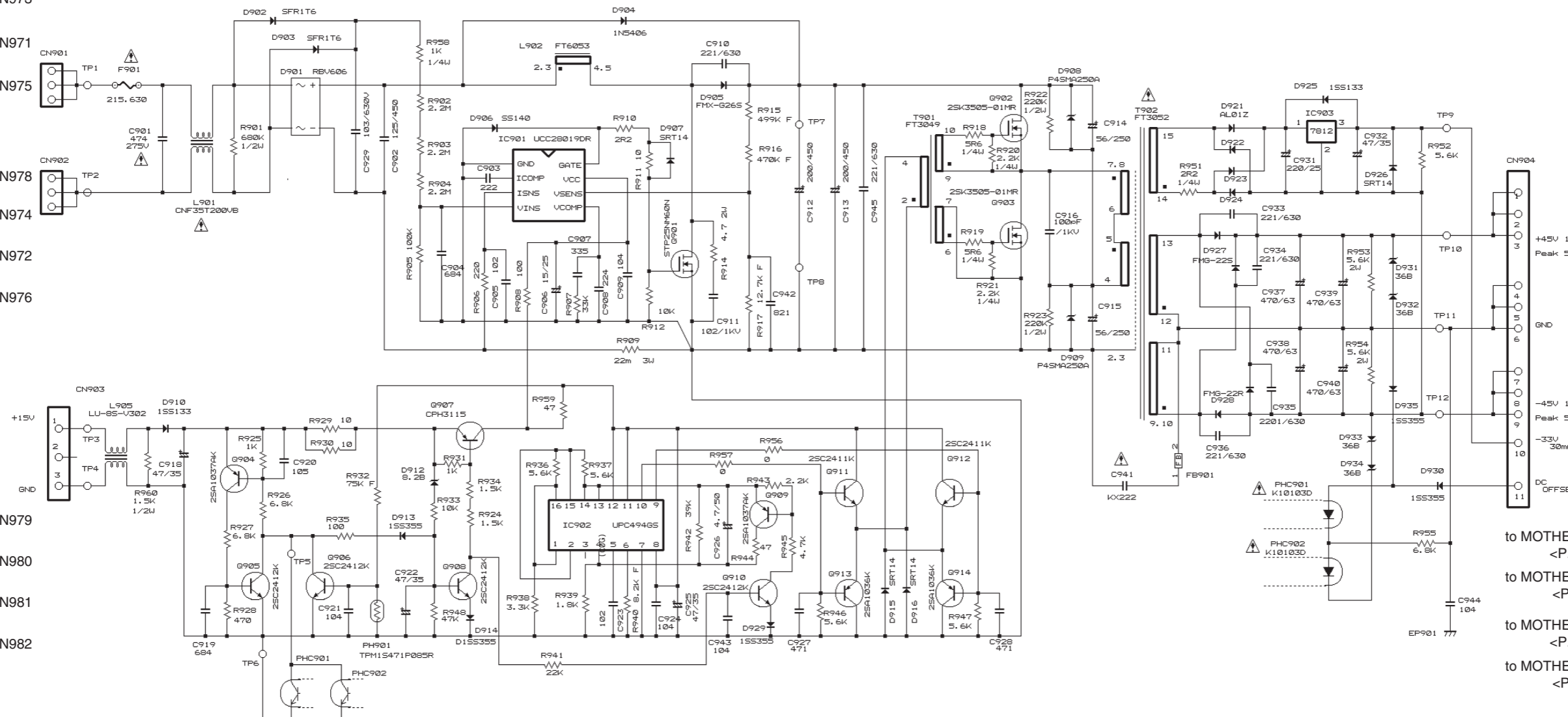


INPUT POWER

XX : Not installed (未実装)

POWER

- to INPUT_POWER_CN977 <P. 17: E2>
- to INPUT_POWER_CN973 <P. 17: D2>
- to INPUT_POWER_CN971 <P. 17: D2>
- to INPUT_POWER_CN975 <P. 17: C2>
- to INPUT_POWER_CN978 <P. 17: E3>
- to INPUT_POWER_CN974 <P. 17: D3>
- to INPUT_POWER_CN972 <P. 17: D3>
- to INPUT_POWER_CN976 <P. 17: C3>



- to INPUT_POWER_CN979 <P. 17: E3>
- to INPUT_POWER_CN980 <P. 17: D3>
- to INPUT_POWER_CN981 <P. 17: D3>
- to INPUT_POWER_CN982 <P. 17: C3>

- to MOTHER A-D_CN1103 <P. 12: B2>
- to MOTHER A-D_CN1303 <P. 13: I2>
- to MOTHER E-H_CN1503 <P. 14: B2>
- to MOTHER E-H_CN1703 <P. 15: I2>

POWER (A-B)
 POWER (C-D)
 POWER (E-F)
 POWER (G-H)

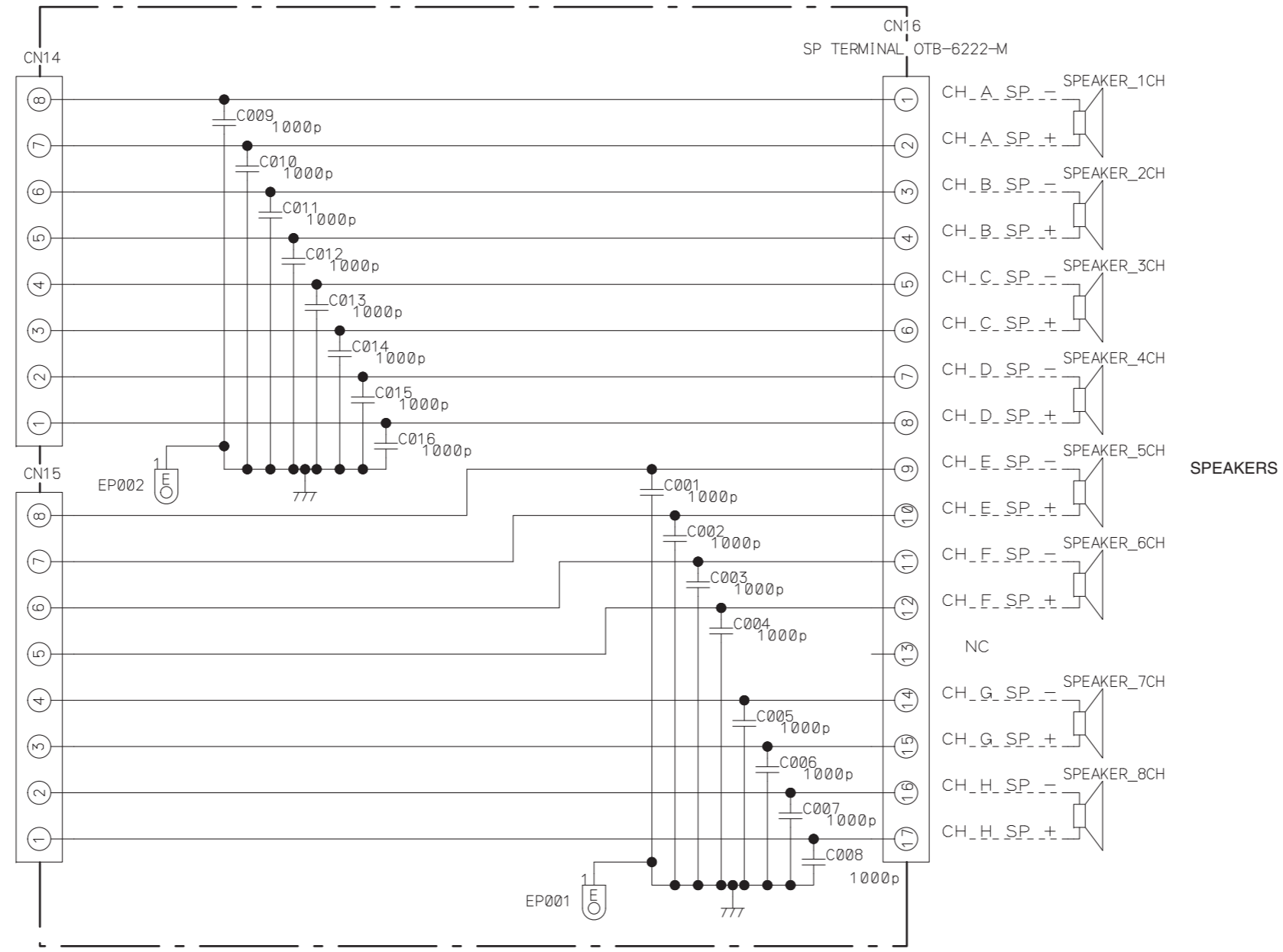
CONNECTOR / LED

FROM CH MOTHER A-D CN1104 BOARD IN B8P WHITE

to MOTHER A-D_CN1104 <P. 12: J5>

FROM CH MOTHER E-H CN1504 BOARD IN B8P WHITE

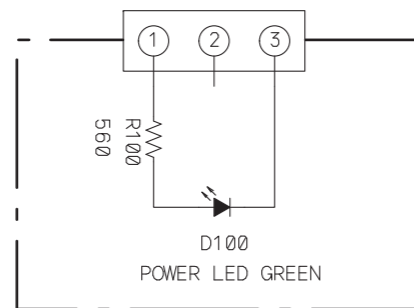
to MOTHER E-H_CN1504 <P. 14: J5>



to FRONT_CN106 <P. 8: I2>

CN107

FROM FRONT CN106 (ZH B3P WHITE)



S5020144-16

S5020144-15

CONNECTOR

LED