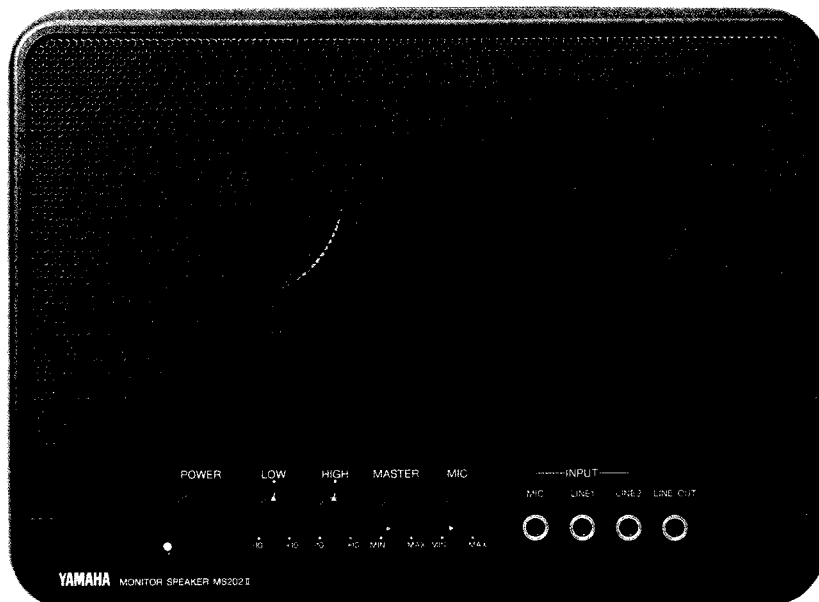


MONITOR SPEAKER MS202 II SERVICE MANUAL



Additional version

This service manual is a supplement. Before servicing the unit, if the rear panel reads "MADE IN TAIWAN", you must have the MS202II service manual **011143** in addition to this one.

追補版

本サービスマニュアルは、台湾製 MS202II を対象とした追補版です。リアパネルに「MADE IN TAIWAN」と印刷してあるユニットを修理する際は、基本サービスマニュアル管理番号 **011143** と一緒にご使用下さい。

■ CONTENTS (目次)

AIM OF THIS SUPPLEMENT (追補版の要旨)	2
BLOCK DIAGRAM (ブロック図)	2
IC BLOCK DIAGRAM (ICブロック図)	2
INSPECTIONS (検査)	3/4
CIRCUIT BOARDS (シート基板図)	6
OVERALL CIRCUIT DIAGRAM (総回路図)	9
PARTS LIST	

IMPORTANT NOTICE

This manual has been provided for the use of authorized Yamaha Retailers and their service personnel. It has been assumed that basic service procedures inherent to the industry, and more specifically Yamaha Products, are already known and understood by the users, and have therefore not been restated.

WARNING: Failure to follow appropriate service and safety procedures when servicing this product may result in personal injury, destruction of expensive components and failure of the product to perform as specified. For these reasons, we advise all Yamaha product owners that all service required should be performed by an authorized Yamaha Retailer or the appointed service representative.

IMPORTANT: This presentation or sale of this manual to any individual or firm does not constitute authorization, certification, recognition of any applicable technical capabilities, or establish a principal-agent relationship of any form.

The data provided is believed to be accurate and applicable to the unit(s) indicated on the cover. The research engineering, and service departments of Yamaha are continually striving to improve Yamaha products. Modifications are, therefore, inevitable and changes in specification are subject to change without notice or obligation to retrofit. Should any discrepancy appear to exist, please contact the distributor's Service Division.

WARNING: Static discharges can destroy expensive components. Discharge any static electricity you body may have accumulated by grounding yourself to the ground buss in the unit (heavy gauge black wires connect to this buss.)

IMPORTANT: Turn the unit OFF during disassembly and parts replacement. Recheck all work before you apply power to the unit.

WARNING: CHEMICAL CONTENT NOTICE!

The solder used in the production of this product contains LEAD. In addition, other electrical/electronic and/or plastic (where applicable) components may also contain traces of chemicals found by the California Health and Welfare Agency (and possibly other entities) to cause cancer and/or birth defects or other reproductive harm.

DO NOT PLACE SOLDER, ELECTRICAL/ELECTRONIC OR PLASTIC COMPONENTS IN YOUR MOUTH FOR ANY REASON WHATSOEVER!

Avoid prolonged, unprotected contact between solder and your skin! When soldering, do not inhale solder fumes or expose eyes to solder/flux vapor!

If you come in contact with solder or components located inside the enclosure of this product, wash your hands before handling food.

■ WARNING

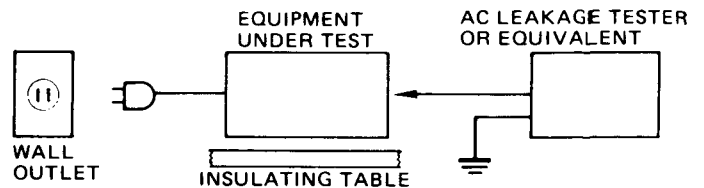
Components having special characteristics are marked \triangle and must be replaced with parts having specification equal to those originally installed.

\triangle 印の商品は、安全を維持するために重要な部品です。交換する場合は、安全のため必ず指定の部品をご使用下さい。

■ TO SERVICE PERSONNEL

Leakage Current Measurement (For 120V Model Only).
When service has been completed, it is imperative that you verify that all exposed conductive surfaces are properly insulated from supply circuits.

- Meter impedance should be equivalent to 1500 ohm shunted by 0.15 μ F.
- Leakage current must not exceed 0.5mA.
- Be sure to test for leakage with the AC plug in both polarities.



● POLARIZATION (U, C models only)

This amplifier product is equipped with a polarized alternating current line plug (a plug having one blade wider than the other). This plug will fit into the power outlet only one way. This is a safety feature.

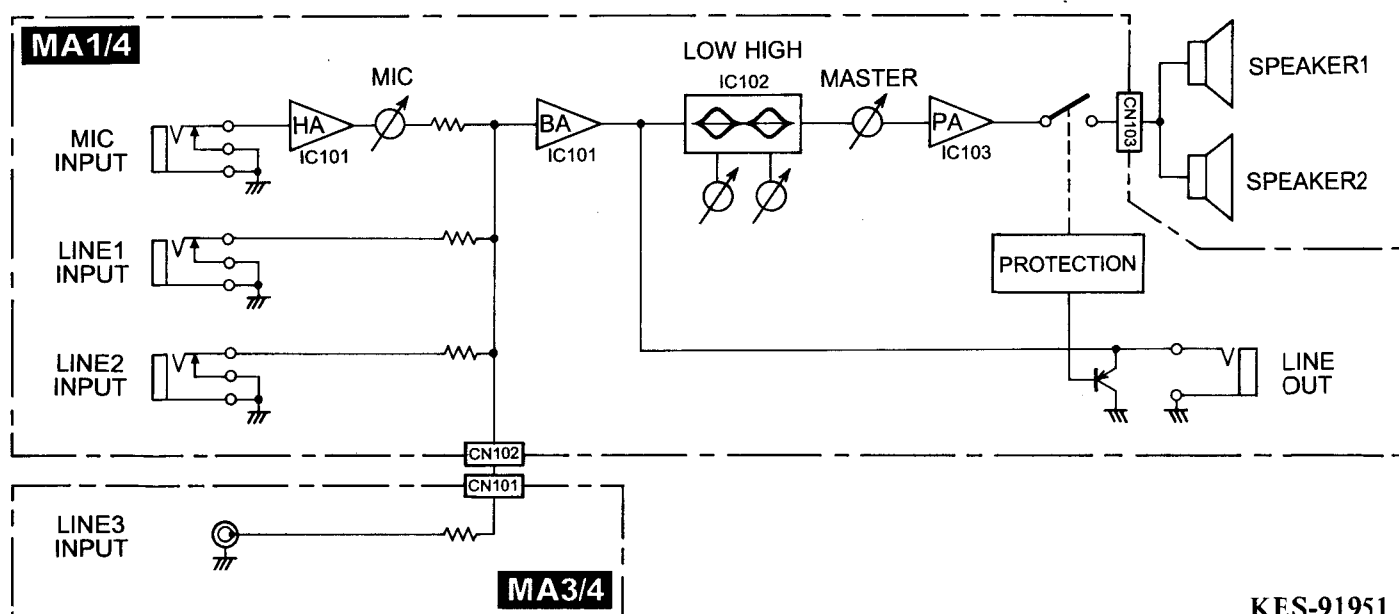
■ AIM OF THIS SUPPLEMENT (追補版の要旨)

This service manual is a supplement which does not have the following subjects. You must have the MS202II service manual [011143] in addition to this one.

本サービスマニュアルは、台湾製 MS202II を対象とした追補版です。以下の項目については掲載されておりませんので、基本サービスマニュアル管理番号[011143] を参照下さい。

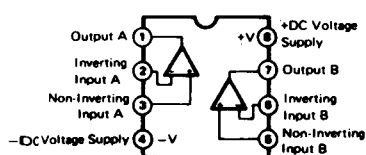
- SPECIFICATIONS (総合仕様)
- PANEL LAYOUT (パネルレイアウト)
- CIRCUIT BOARD LAYOUT (ユニットレイアウト)
- DIMENSIONS (寸法図)
- DISASSEMBLY PROCEDURE (分解手順)

■ BLOCK DIAGRAM (ブロックダイアグラム)



■ IC BLOCK DIAGRAM (ICブロック図)

- NJM2068D-D (XA987A00)
Dual Operational Amplifier



INSPECTIONS

A. PREPARATIONS

Before performing any following inspections, set the unit as follows:

1. Set the MIC and MASTER VOLUME controls at maximum.
2. Set the HIGH and LOW equalizer controls at center.
3. Connect a 4 ohm load resistance across the speaker terminal. (Greater than 100 W)
4. AC supply

J	:100±1 V	50/60 Hz
UC	:120±1 V	60 Hz
HB	:230±2 V	50 Hz
WT	:240±2 V	50 Hz

5. Apply a less than 150 ohm load resistance to the LINE 3 jack.

1. DC VOLTAGE

Before testing for specifications, confirm that DC voltage is the rated value as follows:

$$\pm B - \text{chassis(GND)} : \pm 26 \text{ V} \pm 3 \text{ V}$$

2. MUTING

Check that when the power switch is turned ON/OFF, the click noise levels are as follows:

(When no signal is applied.)

POWER SWITCH	RELAY ON/OFF TIME	CLICK NOISE LEVEL	
		SPEAKER TERMINAL	LINE OUT
OFF→ON	2.0±1.5 sec.	less than 0.2 Vp-p	less than 0.1 Vp-p
ON→OFF	3.0±2.0 sec.	less than 0.2 Vp-p	less than 0.1 Vp-p

3. IDLE CURRENT

When no signal is applied, check that the idle current is within $\pm 150 \text{ mV}$ at the speaker terminal.

4. GAIN

Check that the output level should be within the following range when an 1 kHz sine wave is applied in status A.

INPUT	OUTPUT	
	LINE OUT	SPEAKER TERMINAL
-60 dBm to MIC (Rs=150 Ω)	-20 dBm±2 dB	+11.3 dBm±2 dB
-20 dBm to LINE 1/2	-20 dBm±2 dB	—
-20 dBm to LINE 3	-20 dBm±2 dB	—

5. MAXIMUM OUTPUT

Apply an 1 kHz sine wave to the MIC INPUT jack in status 4, and increase its level so that a +21.2 dBm output is obtained at the speaker terminal, the distortion factor should be less than 0.5 %.

And decrease the MASTER volume, and increase its level so that a +18 dBm output is obtained at the LINE OUT terminal, the distortion factor should be less than 0.2 %.

6. NOISE LEVEL

When 600 ohm to the MIC INPUT jack is applied, the noise level at output should be as follows:

Noise level should be measured using a DIN-AUDIO filter, not to have an effect of interference noise.

MEASURE AT	VOLUME CONTROL	EQs	NOISE LEVEL
SPEAKER TERMINAL	MAXIMUM	CENTER	less than -40 dBm
	MINIMUM	CENTER	less than -60 dBm
LINE OUT	ANY POSITION	—	less than -60 dBm

7. EQUALIZER CONTROLS

When the HIGH and LOW controls are operated the output level of each frequency obtained at the speaker terminal should be within the range as shown below, with the output level when an 1 kHz, -30 dBm sine wave is applied to the LINE 1 or LINE 2 jack as a reference in section A.

INPUT SIGNAL	EQs		OUTPUT
80 Hz	LOW	MAXIMUM	+14±2 dB
		MINIMUM	-8±2 dB
		CENTER	+2.5±1 dB
10 kHz	HIGH	MAXIMUM	+14±2 dB
		MINIMUM	-8±2 dB
		CENTER	+2.5±1 dB

Confirm no vibration sound from the voice coil, when 50 Hz through 20 kHz sine wave is applied.

And confirm no vibration sound, when 55 mV and 50 Hz through 20 kHz sine wave is applied to the LINE 3 jack.

■ 検査

A. 準備

スピーカー端子

負荷抵抗 : $RL = 4 \Omega$
(無誘導抵抗、電力は 100 W 以上)

LINE OUT 端子

負荷抵抗 : $RL = 10k \Omega$

コントロール

MIC : 最大
MASTER : 最大
HIGH : 中央
LOW : 中央

AC 電源

J 仕向 : $100 \pm 1 V$ 50/60 Hz
UC 仕向 : $120 \pm 1 V$ 60 Hz
HB 仕向 : $230 \pm 2 V$ 50 Hz
WT 仕向 : $240 \pm 2 V$ 50 Hz

LINE 3 端子

未入力時 : 150Ω 以下で終端

1. 電源電圧

無信号時に、DC 電圧の確認を行います。ただし、シャーシ (アース) を基準点とします。

$\pm B = \pm 26 V \pm 3 V$

2. ミューティング

パワースイッチを ON/OFF したときのリレーの動作時間と、各端子間に現れるクリックノイズが次表の通りであることを確認します。

入力信号	パワー スイッチ	リレー 動作時間	クリックノイズ	
			SP 端子	L/O 端子
無信号	OFF→ON	2.0 ± 1.5 秒	0.2 Vp-p 以下	0.1 Vp-p 以下
	ON→OFF	3.0 ± 2.0 秒	0.2 Vp-p 以下	0.1 Vp-p 以下

*SP 端子=スピーカー端子

*L/O 端子=LINE OUT 端子

3. 中点電位

無信号状態において、スピーカー端子間(SP+, SP-)の直流電圧が $\pm 150 mV$ 以下であることを確認します。

4. 利得

(A)の状態では 1 kHz の正弦波を各入力端子に加えた時、[LINE OUT]端子で得られる出力信号のレベルが次表の通りであることを確認します。

入力端子	入力レベル	出力レベル	
		LINE OUT 端子	スピーカー端子
MIC INPUT ($R_s=150 \Omega$)	-60 dBm	-20 dBm ± 2 dB	+11.3 dBm ± 2 dB
LINE 1,2	-20 dBm	-20 dBm ± 2 dB	-
LINE 3	-20 dBm	-20 dBm ± 2 dB	-

5. 最大出力

(4)の状態(入力端子は[MIC INPUT]とします)で入力信号のレベルを徐々に上げていき、スピーカー端子での出力レベルが +21.2 dBm になったときの歪率が 0.5 % 以下であることを確認します。

また[MASTER VOLUME]をしばらく、入力信号のレベルを上げていき、[LINE OUT]端子での出力レベルが +18 dBm になったときの歪率が 0.2 % 以下であることを確認します。

6. ノイズレベル

[MIC INPUT]端子を 600Ω で終端したときのノイズレベルが、次表の通りであることを確認します。

ただし、ノイズレベル計は DIN AUDIO フィルターを使用し、誘導ノイズの影響を受けないように注意して測定してください。

出力端子	VOLUME	HIGH, LOW	ノイズレベル
SP 端子	最大	中央	-40 dBm 以下
	最小	中央	-60 dBm 以下
L/O 端子	-	-	-60 dBm 以下

*SP 端子=スピーカー端子

*L/O 端子=LINE OUT 端子

7. イコライザーの変化特性

(A)の状態では、1 kHz、-30 dBm の信号を[LINE 1]端子または[LINE 2]端子に加えたときにスピーカー端子で得られる出力信号のレベルを基準レベル(0 dB)として、入力信号を 80 Hz、10 kHz と変えたときのイコライザーの変化特性が、次表の通りであることを確認します。

MS202 II
S/# NI01001 onward

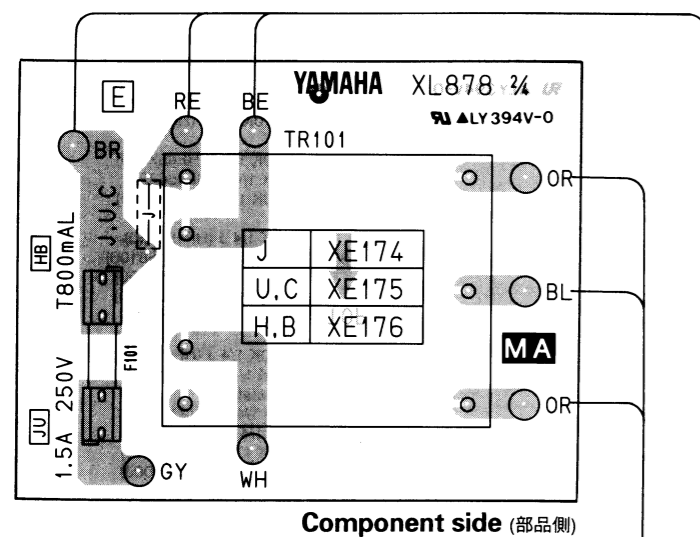
入力信号	イコライザー	出力レベル	
80 Hz	LOW	最大	+14±2 dB
		最小	-8±2 dB
		中央	+2.5±1 dB
10 kHz	HIGH	最大	+14±2 dB
		最小	-8±2 dB
		中央	+2.5±1 dB

スピーカーシステムとアンプユニットを接続し、
[LINE 3]端子に 55 mV、50 Hz～20 kHz の正弦波をスイ
ープ入力したとき、また音楽信号を加えたときボイス
コイルの当たり、ピリツキ等の異音を発生しないこと
を確認します。

位相チェッカーにて、2 つのスピーカーが正しく接続
されていることを確認します。

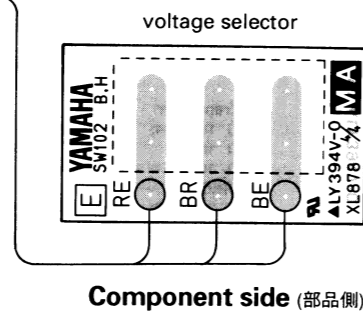
CIRCUIT BOARDS (シート基板図)

• **MA 2/4 Circuit Board**

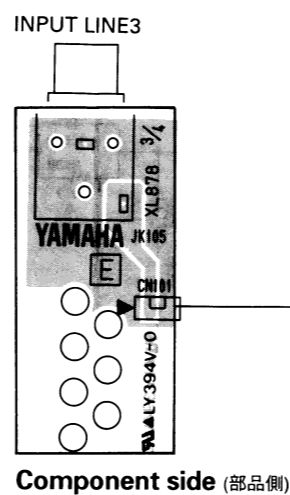


• **MA 4/4 Circuit Board**

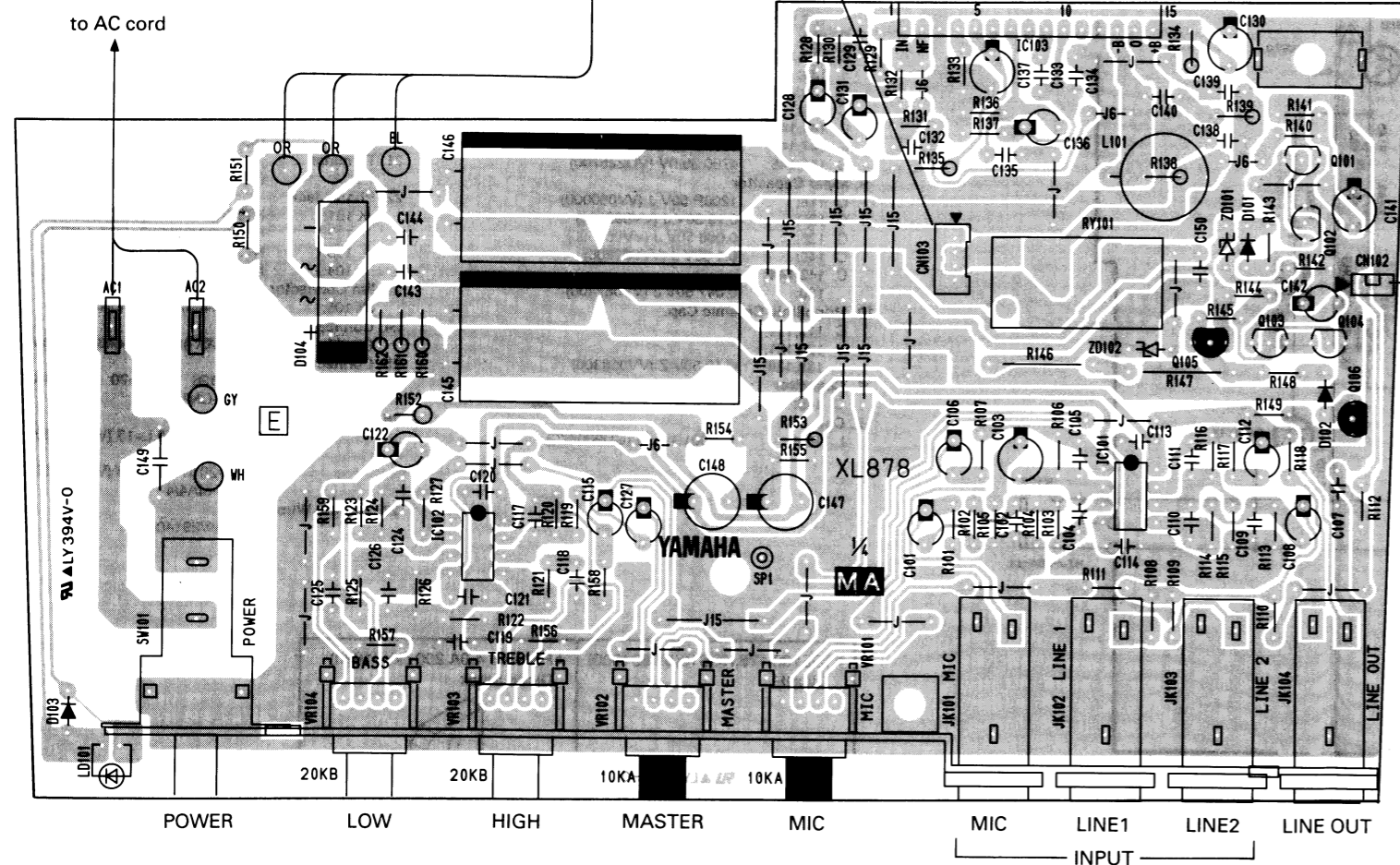
(North European and British models only)



• **MA 3/4 Circuit Board**



• **MA 1/4 Circuit Board**



Component side (部品側)

Notes

Circuit Board: MA (VV486800) XL878E0 JUV
Circuit Board: MA1/4 (NX818710) XL878E0 JUV
Circuit Board: MA2/4 (NX818720) XL878E0 JUV
Circuit Board: MA3/4 (NX818730) XL878E0 JUV

Circuit Board: MA (VV486900) XL878E0 HWB
Circuit Board: MA1/4 (NX818670) XL878E0 HWB
Circuit Board: MA2/4 (NX818680) XL878E0 HWB
Circuit Board: MA3/4 (NX818690) XL878E0 HWB
Circuit Board: MA4/4 (NX818700) XL878E0 HWB

1. **IC**
IC 101,102: NJM2068D-D (XA987A00) OP AMP
IC 103: STK 4026-2 25W 1 (XC567A00) POWER AMP
2. **Transistor**
Q 101-104: 2SC1815 Y,GR (IC1815M0)
Q 105: 2SA970 GR,BL (IA097030)
Q 106: 2SA1115 E,F (IA111520)
3. **Diode**
D 101-103: 1SS133,176,HSS10 (VD631600)
4. **Diode Stack**
D 104: PBU403 4.0A 200 (VV518200)
5. **Zener Diode**
ZD101: MTZ J 12.0C 12. (VG440300)
ZD102: MTZ J 24.0C 24. (VG442600)
6. **LED**
LD101: LT311G-41-C13 RE (VV620800) POWER indicator
7. **Ceramic Capacitor**
C 102,133: 1000P 50V K (FG613100)
C 104,109, 129,135: 220P 50V J (FG652220)
C 105: 82P 50V J (FG651820)
C 107: 470P 50V K (FG612470)
C 110: 150P 50V J (FG652150)
C 111,117, 124: 33P 50V J (FG651330)
C 119: 560P 50V K (FG612560)
C 132: 3P 50V C (FG650300)
C 134: 100P 50V J (FG652100)
8. **Electrolytic Cap.**
C 101,106, 108,115, 122,128: 4.70 50.0V (UJ866470)
C 103: 100.00 16.0V (UJ838100)
C 112,127, 131: 10.00 25.0V (UJ847100)
C 130,137: 47.00 50.0V (UJ867470)
C 136: 100.00 25.0V (UJ848100)
C 141,142: 47.00 16.0V (UJ837470)
C 147,148: 100.00 50.0V (UJ868100)
C 145,146: 4700 35.0V (VQ225700)
9. **Mylar Capacitor**
C 118: 1200P 50V J (VV060000)
C 125: 0.15 50V J (VV063000)
C 126: 0.068 50V J (VV062600)
C 140: 0.1 50V J (VV062800)
C 143,144, 150: 0.047 50V J (VV062400)
10. **Monolithic Ceramic Cap.**
C 113,114, 120,121, 138,139: 0.10 50V Z (VV059300)
11. **Capacitor**
C 149: 0.01 400V J.U.C (VV520600)
12. **Coil**
L 101: RZ-001 1.5uH (GD900470)

13. Carbon Resistor

- R 101: 68.0K 1/4 J (HF457680)
- R 102,103, 107,127: 100.0 1/4 J (HF455100)
- R 104,106, 142: 12.0K 1/4 J (HF457120)
- R 105,117: 120.0 1/4 J (HF455120)
- R 108-111,119, 120,123,124, 133,141: 10.0K 1/4 J (HF457100)
- R 112,149: 470.0 1/4 J (HF455470)
- R 113,116: 22.0K 1/4 J (HF457220)
- R 114: 220.0 1/4 J (HF455220)
- R 115,154, 155: 5.6K 1/4 J (HF456560)
- R 118,143: 330.0K 1/4 J (HF458330)
- R 121,122, 125,126: 18.0K 1/4 J (HF457180)
- R 128,129: 2.2K 1/4 J (HF456220)
- R 130,131: 56.0K 1/4 J (HF457560)
- R 132,158, 159: 1.5K 1/4 J (HF456150)
- R 136,137: 100.0K 1/4 J (HF458100)
- R 140: 33.0K 1/4 J (HF457330)
- R 144: 47.0K 1/4 J (HF457470)
- R 145: 8.2K 1/4 J (HF456820)
- R 148,156, 157: 15.0K 1/4 J (HF457150)
- R 150,151: 3.3K 1/4 J (HF456330)

14. Flame Proof C. Resistor

- R 134,135: 100 1/4 J (VV276800)
- R 138,139: 4.7 1/4 J (VV276700)
- R 152,153: 1.0K 1/4 J (VV276900)
- R 160-162: 6.8K 1/4 J (VV277000)

15. Metal Oxide Film Resistor

- R 146,147: 680 2W J (VV301100)

16. Rotary Variable Resistor

- VR101,102: A 10K RK112M (VV277500) MIC,MASTER
- VR103,104: B 20K RK112M (VV277700) HIGH,LOW

17. Fuse

- F 101: TDS 1.5A 250V J/ (VV301200) JUV
- F 101: TSD 800mA 250V S (VV301300) HWB

18. Push Switch

- SW101: SDDL11874-YL (VV059400) POWER

19. Slide Switch

- SW102: SDKGB (VE206000) HWB Volume selector (H,W,B only)

20. Relay

- RY101: DC OSA-SS-224DM3 (VU161600)

21. Terminal

- AC1,2: (VA855400) to AC cord

22. Phone Jack

- JK 101: HTJ-0 (VV278300) MIC INPUT
- 102: HTJ-0 (VV278300) LINE1 INPUT
- 103: HTJ-0 (VV278300) LINE2 INPUT
- 104: HTJ-0 (VV278300) LINE OUT

23. Pin Connector

- JK 105: (VV278400) INPUT LINE3

24. Connector Base Post

- CN103: M2426XX 4P (VV066400) to Speaker

25. Connector Assembly

- CN101: B&B #26 2P L=70 (VV513100) MA1/4-CN102

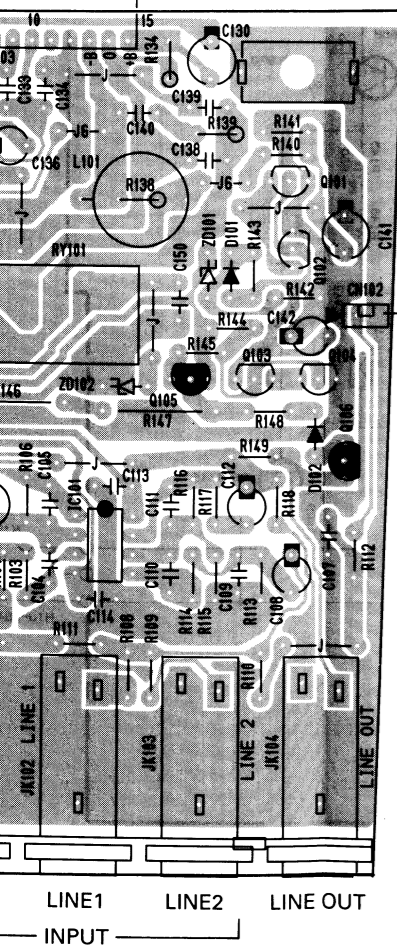
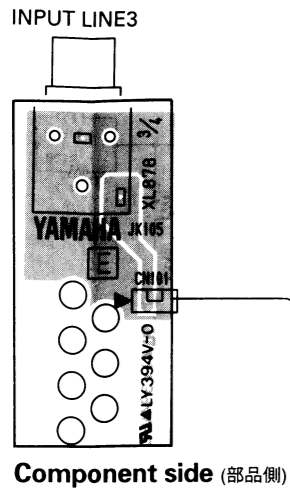
26. Cable Kit

- : B&B #20 1PX5 L=13 (VV513200) MA1/4-MA2/4
- : B&B #20 1PX3 L=18 (VV605000) MA1/4-MA4/4

27. Jumper Wire

- : 0.60 (VV291400)

• MA 3/4 Circuit Board



Component side (部品側)

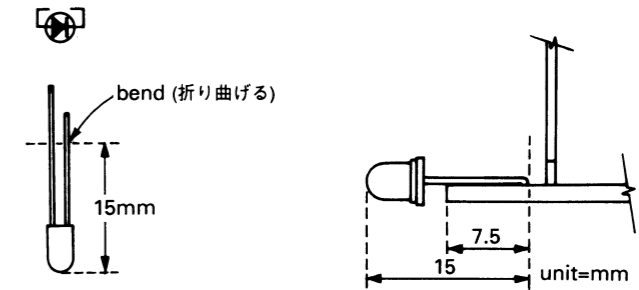
Notes)

- Circuit Board: MA (VV486800) XL878E0 JUV
 Circuit Board: MA1/4 (NX818710) XL878E0 JUV
 Circuit Board: MA2/4 (NX818720) XL878E0 JUV
 Circuit Board: MA3/4 (NX818730) XL878E0 JUV
- Circuit Board: MA (VV486900) XL878E0 HWB
 Circuit Board: MA1/4(NX818670) XL878E0 HWB
 Circuit Board: MA2/4(NX818680) XL878E0 HWB
 Circuit Board: MA3/4(NX818690) XL878E0 HWB
 Circuit Board: MA4/4(NX818700) XL878E0 HWB
- IC**
 IC 101,102: NJM2068D-D (XA987A00) OP AMP
 IC 103: STK 4026-2 25W 1 (XC567A00) POWER AMP
 - Transistor**
 Q 101-104: 2SC1815 Y,GR (IC1815M0)
 Q 105: 2SA970 GR,BL (IA097030)
 Q 106: 2SA1115 E,F (IA111520)
 - Diode**
 D 101-103: 1SS133,176,HSS10 (VD631600)
 - Diode Stack**
 D 104: PBU403 4.0A 200 (VV518200)
 - Zener Diode**
 ZD101: MTZ J 12.0C 12. (VG440300)
 ZD102: MTZ J 24.0C 24. (VG442600)
 - LED**
 LD101: LT311G-41-C13 RE (VV620800) POWER indicator
 - Ceramic Capacitor**
 C 102,133: 1000P 50V K (FG613100)
 C 104,109,129,135: 220P 50V J (FG652220)
 C 105: 82P 50V J (FG651820)
 C 107: 470P 50V K (FG612470)
 C 110: 150P 50V J (FG652150)
 C 111,117,124: 33P 50V J (FG651330)
 C 119: 560P 50V K (FG612560)
 C 132: 3P 50V C (FG650300)
 C 134: 100P 50V J (FG652100)
 - Electrolytic Cap.**
 C 101,106,108,115,122,128: 4.70 50.0V (UJ866470)
 C 103: 100.00 16.0V (UJ838100)
 C 112,127,131: 10.00 25.0V (UJ847100)
 C 130,137: 47.00 50.0V (UJ867470)
 C 136: 100.00 25.0V (UJ848100)
 C 141,142: 47.00 16.0V (UJ837470)
 C 147,148: 100.00 50.0V (UJ868100)
 C 145,146: 4700 35.0V (VQ225700)
 - Mylar Capacitor**
 C 118: 1200P 50V J (VV060000)
 C 125: 0.15 50V J (VV063000)
 C 126: 0.068 50V J (VV062600)
 C 140: 0.1 50V J (VV062800)
 C 143,144,150: 0.047 50V J (VV062400)
 - Monolithic Ceramic Cap.**
 C 113,114,120,121,138,139: 0.10 50V Z (VV059300)
 - Capacitor**
 C 149: 0.01 400V J.U.C (VV520600)
 - Coil**
 L 101: RZ-001 1.5uH (GD900470)

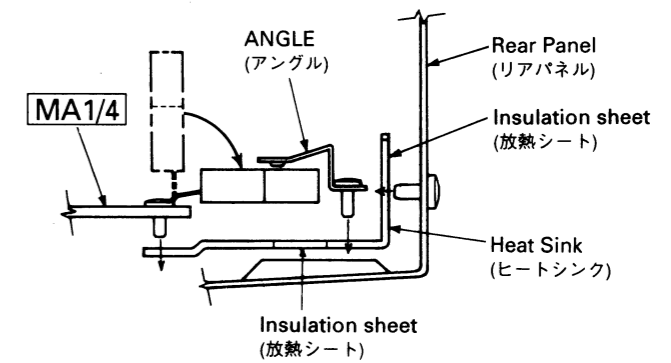
13. Carbon Resistor

- R 101: 68.0K 1/4 J (HF457680)
 R 102,103,107,127: 100.0 1/4 J (HF455100)
 R 104,106,142: 12.0K 1/4 J (HF457120)
 R 105,117: 120.0 1/4 J (HF455120)
 R 108-111,119,120,123,124,133,141: 10.0K 1/4 J (HF457100)
 R 112,149: 470.0 1/4 J (HF455470)
 R 113,116: 22.0K 1/4 J (HF457220)
 R 114: 220.0 1/4 J (HF455220)
 R 115,154,155: 5.6K 1/4 J (HF456560)
 R 118,143: 330.0K 1/4 J (HF458330)
 R 121,122,125,126: 18.0K 1/4 J (HF457180)
 R 128,129: 2.2K 1/4 J (HF456220)
 R 130,131: 56.0K 1/4 J (HF457560)
 R 132,158,159: 1.5K 1/4 J (HF456150)
 R 136,137: 100.0K 1/4 J (HF458100)
 R 140: 33.0K 1/4 J (HF457330)
 R 144: 47.0K 1/4 J (HF457470)
 R 145: 8.2K 1/4 J (HF456820)
 R 148,156,157: 15.0K 1/4 J (HF457150)
 R 150,151: 3.3K 1/4 J (HF456330)
- 14. Flame Proof C. Resistor**
 R 134,135: 100 1/4 J (VV276800)
 R 138,139: 4.7 1/4 J (VV276700)
 R 152,153: 1.0K 1/4 J (VV276900)
 R 160-162: 6.8K 1/4 J (VV277000)
- 15. Metal Oxide Film Resistor**
 R 146,147: 680 2W J (VV301100)
- 16. Rotary Variable Resistor**
 VR101,102: A 10K RK112M (VV277500) MIC,MASTER
 VR103,104: B 20K RK112M (VV277700) HIGH,LOW
- 17. Fuse**
 F 101: TDS 1.5A 250V J/ (VV301200) JUV
 F 101: TSD 800mA 250V S (VV301300) HWB
- 18. Push Switch**
 SW101: SDDL11874-YL (VV059400) POWER
- 19. Slide Switch**
 SW102: SDKGB (VE206000) HWB Voltage selector (H,W,B only)
- 20. Relay**
 RY101: DC OSA-SS-224DM3 (VU161600) 24V
- 21. Terminal**
 AC1,2: (VA855400) to AC cord
- 22. Phone Jack**
 JK 101: HTJ-0 (VV278300) MIC INPUT
 102: HTJ-0 (VV278300) LINE1 INPUT
 103: HTJ-0 (VV278300) LINE2 INPUT
 104: HTJ-0 (VV278300) LINE OUT
- 23. Pin Connector**
 JK 105: (VV278400) INPUT LINE3
- 24. Connector Base Post**
 CN103: M2426XX 4P (VV066400) to Speakers
- 25. Connector Assembly**
 CN101: B&B #26 2P L=70 (VV513100) to MA1/4-CN102
- 26. Cable Kit**
 : B&B #20 1PX5 L=13 (VV513200) MA1/4-MA2/4
 : B&B #20 1PX3 L=18 (VV605000) HWB MA1/4-MA4/4
- 27. Jumper Wire**
 : 0.60 (VV291400)

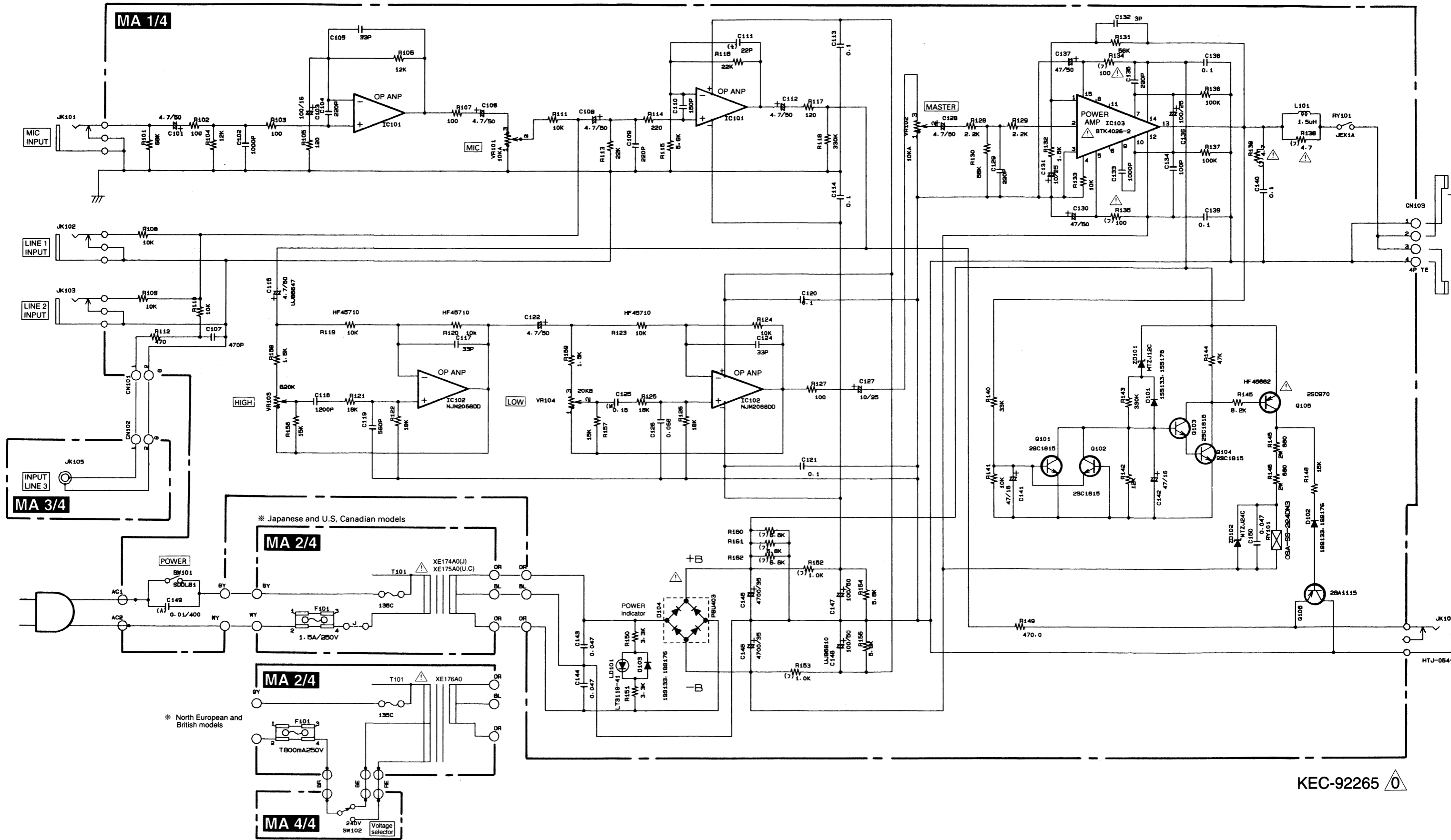
• LED installation (LEDの取付け)



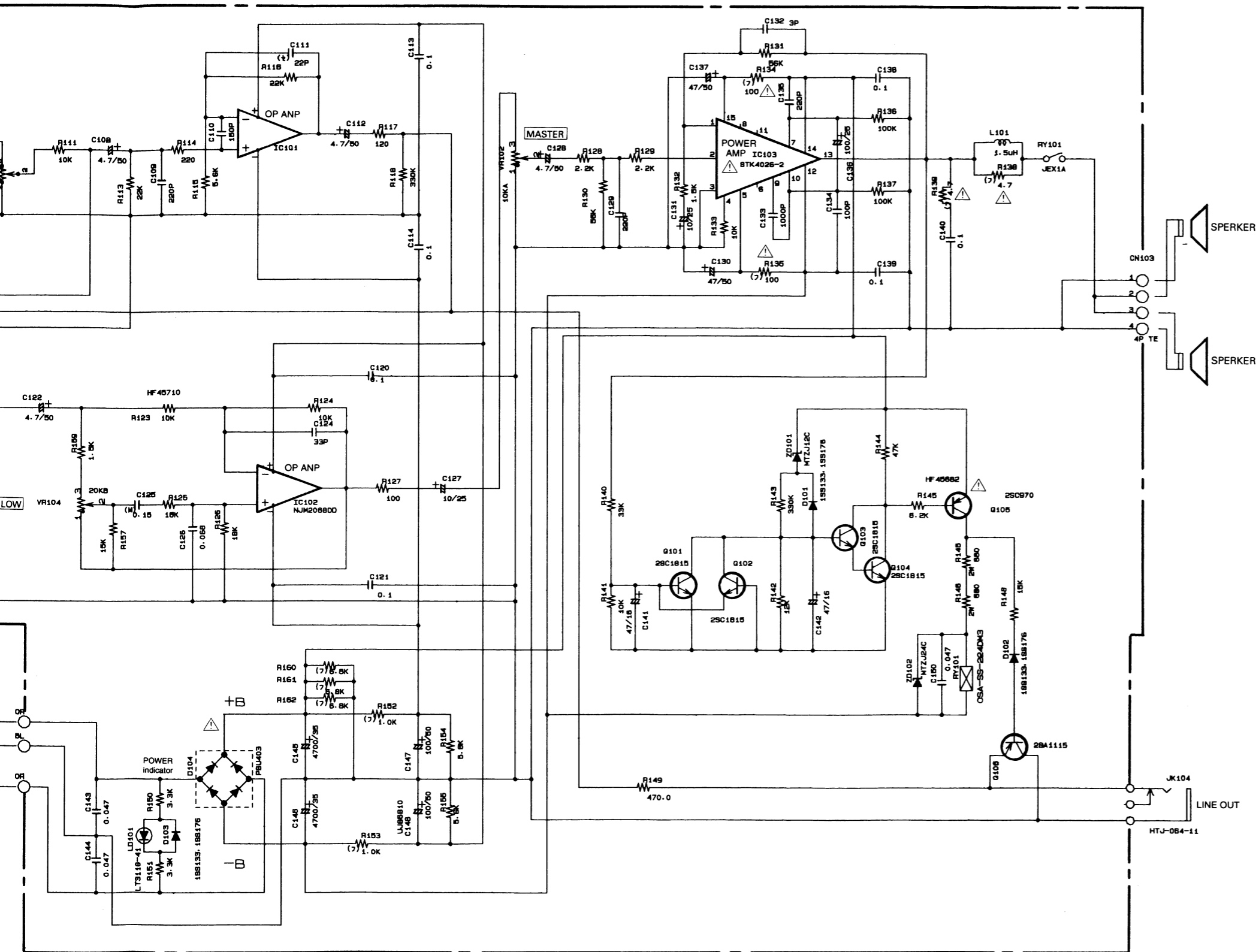
• IC103 (Power Amp) installation (IC103の取付け)



OVERALL CIRCUIT DIAGRAM (総回路図)



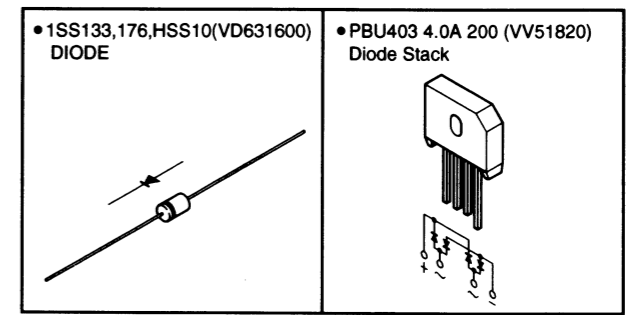
KEC-92265



Notes

- Circuit Board: MA (VV486900) XL878E0 JUV
 Circuit Board: MA1/4 (NX818710) XL878E0 JUV
 Circuit Board: MA2/4 (NX818720) XL878E0 JUV
 Circuit Board: MA3/4 (NX818730) XL878E0 JUV
- Circuit Board: MA (VV486900) XL878E0 HWB
 Circuit Board: MA1/4 (NX818670) XL878E0 HWB
 Circuit Board: MA2/4 (NX818680) XL878E0 HWB
 Circuit Board: MA3/4 (NX818690) XL878E0 HWB
 Circuit Board: MA4/4 (NX818700) XL878E0 HWB
- IC
 IC 101,102: NJM2068D-D (XA987A00) OP AMP
 IC 103: STK 4026-2 25W 1 (XC567A00) POWER AMP
 - Transistor
 Q 101-104: 2SC1815 Y,GR (IC1815M0)
 Q 105: 2SA970 GR,BL (IA097030)
 Q 106: 2SA1115 E,F (IA111520)
 - Diode
 D 101-103: 1SS133,176,HSS10 (VD631600)
 D 104: PBU403 4.0A 200 (VV518200)
 - Zener Diode
 ZD101: MTZ J 12.0C 12. (VG440300)
 ZD102: MTZ J 24.0C 24. (VG442600)
 - LED
 LD101: LT311G-41-C13 RE (VV260800) POWER indicator
 - Ceramic Capacitor
 C 102,133: 1000P 50V K (FG613100)
 C 104,109,129,135: 220P 50V J (FG652220)
 C 105: 82P 50V J (FG651820)
 C 107: 470P 50V K (FG612470)
 C 110: 150P 50V J (FG652150)
 C 111,117,124: 33P 50V J (FG651330)
 C 119: 560P 50V K (FG612560)
 C 132: 3P 50V C (FG650300)
 C 134: 100P 50V J (FG652100)
 - Electrolytic Cap.
 C 101,106,108,115,122,128: 4.70 50.0V (UJ866470)
 C 103: 100.00 16.0V (UJ838100)
 C 112,127,131: 10.00 25.0V (UJ847100)
 C 130,137: 47.00 50.0V (UJ867470)
 C 136: 100.00 25.0V (UJ848100)
 C 141,142: 47.00 16.0V (UJ837470)
 C 147,148: 100.00 50.0V (UJ868100)
 C 145,146: 4700 35.0V (VQ225700)
 - Mylar Capacitor
 C 118: 1200P 50V J (VV060000)
 C 125: 0.15 50V J (VV063000)
 C 126: 0.068 50V J (VV062600)
 C 140: 0.1 50V J (VV062800)
 C 143,144,150: 0.047 50V J (VV062400)
 - Monolithic Ceramic Cap.
 C 113,114,120,121,138,139: 0.10 50V Z (VV059300)
 - Capacitor
 C 149: 0.01 400V J.U.C (VV520600)
 - Coil
 L 101: RZ-001 1.5uH (GD900470)
 - Carbon Resistor
 R 101: 68.0K 1/4 J (HF457680)
 R 102,103,107,127: 100.0 1/4 J (HF455100)
 R 104,106,142: 12.0K 1/4 J (HF457120)
 R 105,117: 120.0 1/4 J (HF455120)
 R 108-111,119,120,123,124,133,141: 10.0K 1/4 J (HF457100)
 R 112,149: 470.0 1/4 J (HF455470)
 R 113,116: 22.0K 1/4 J (HF457220)
 R 114: 220.0 1/4 J (HF455220)
 R 115,154,155: 5.6K 1/4 J (HF456560)
 R 118,143: 330.0K 1/4 J (HF458330)
 R 121,122,125,126: 18.0K 1/4 J (HF457180)
 R 128,129: 2.2K 1/4 J (HF456220)
 R 130,131: 56.0K 1/4 J (HF457560)
 R 132,158,159: 1.5K 1/4 J (HF456150)
 R 136,137: 100.0K 1/4 J (HF458100)
 R 140: 33.0K 1/4 J (HF457330)
 R 144: 47.0K 1/4 J (HF457470)
 R 145: 8.2K 1/4 J (HF456820)
 R 148,156,157: 15.0K 1/4 J (HF457150)
 R 150,151: 3.3K 1/4 J (HF456330)
 - Flame Proof C. Resistor
 R 134,135: 100 1/4 J (VV276800)
 R 138,139: 4.7 1/4 J (VV276700)
 R 152,153: 1.0K 1/4 J (VV276900)
 R 160-162: 6.8K 1/4 J (VV277000)
 - Metal Oxide Film Resistor
 R 146,147: 680 2W J (VV301100)
 - Rotary Variable Resistor
 VR101,102: A 10K RK112M (VV277500) MIC,MASTER
 VR103,104: B 20K RK112M (VV277700) HIGH,LOW
 - Fuse
 F 101: TDS 1.5A 250V J/ (VV301200) JUV
 F 101: TSD 800mA 250V S (VV301300) HWB
 - Push Switch
 SW101: SDDL11874-YL (VV059400) POWER
 - Slide Switch
 SW102: SDKGB (VE206000) HWB Voltage selector (H,V,B only)
 - Relay
 RY101: DC OSA-SS-224DM3 (VU161600) 24V
 - Terminal
 AC1,2: (VA855400) to AC cord
 - Phone Jack
 JK 101: HTJ-0 (VV278300) MIC INPUT
 102: HTJ-0 (VV278300) LINE1 INPUT
 103: HTJ-0 (VV278300) LINE2 INPUT
 104: HTJ-0 (VV278300) LINE OUT
 - Pin Connector
 JK 105: (VV278400) INPUT LINE3
 - Connector Base Post
 CN103: M2426XX 4P (VV066400) to Speakers
 - Connector Assembly
 CN101: B&B #26 2P L=70 (VV513100) to MA1/4-CN102
 - Cable Kit
 : B&B #20 1PX5 L=13 (VV513200)
 : MA1/4-MA2/4
 : B&B #20 1PX3 L=18 (VV605000) HWB
 : MA1/4-MA4/4
 - Jumper Wire
 : 0.60 (VV291400)

KEC-92265



MONITOR SPEAKER

MS202 II

(S/# NI01001~)

PARTS LIST

■ CONTENTS (目次)

OVERALL ASSEMBLY (総組立)	1
ELECTRICAL PARTS (電気部品)	3

Notes: DESTINATION ABBREVIATIONS

A : Australian model	J : Japanese model
B : British model	U : U.S. model
C : Canadian model	V : General export model (110 V)
E : European model	W : General export model (220 V)
H : North European model	X : General export model
I : Indonesian model	Y : Export model

■WARNING

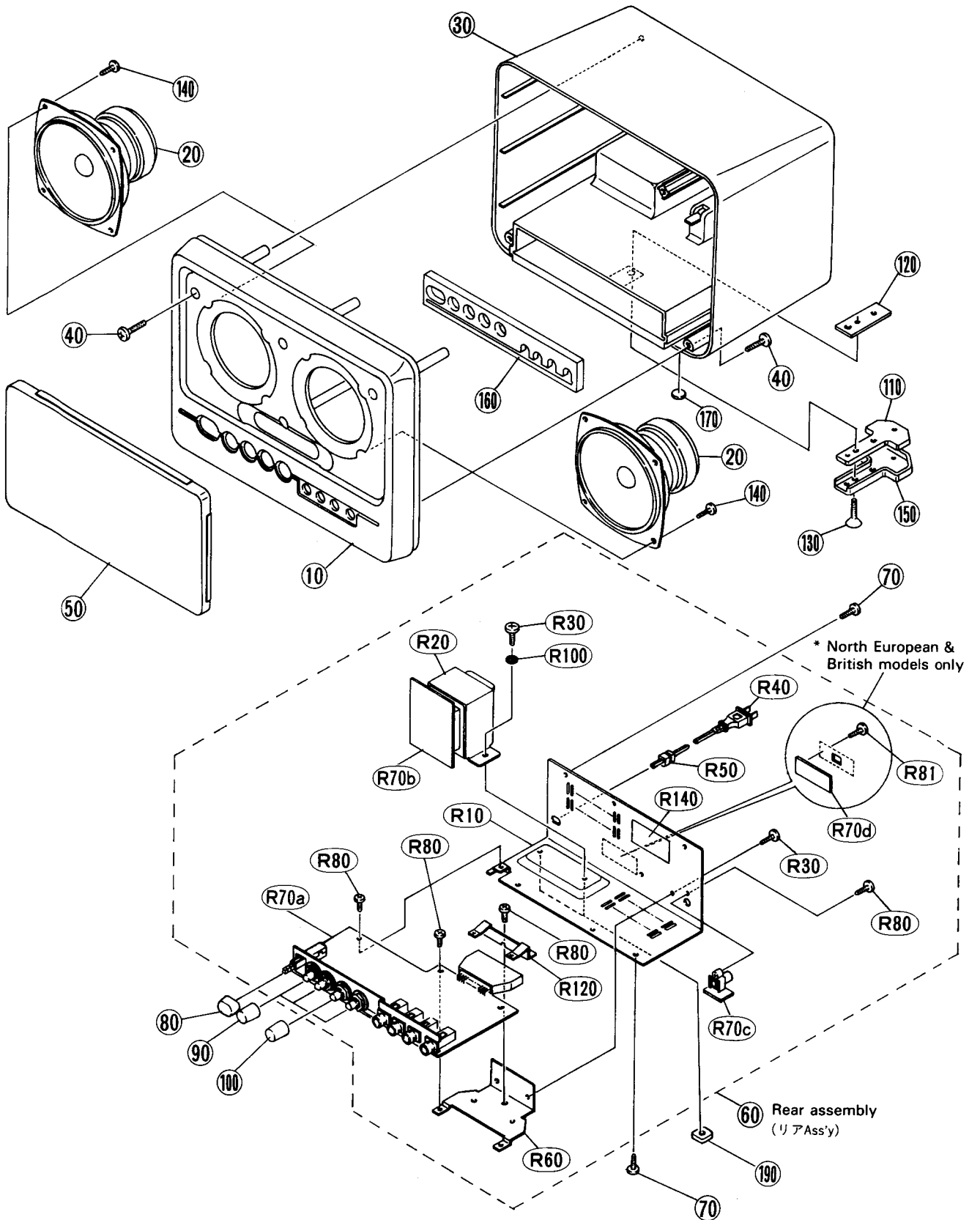
Components having special characteristics are marked Δ and must be replaced with parts having specifications equal to those originally installed.

△印の部品は、安全を維持するために重要な部品です。交換をする場合は、安全のため必ず指定の部品をご使用下さい。

- | |
|---|
| <ul style="list-style-type: none">• The numbers in "QTY" shows quantities for each unit.• The parts with "--" in "Parts No." are not available as spare parts.
• 部品価格ランクは、変更になることがあります。• QTY 欄に記されている数字は、各ユニット当たりの使用個数です。• 部品 No.が "--" の部品は、サービス用部品として準備されていません。 |
|---|

MS202 II
S/# NI01001 onward

OVERALL ASSEMBLY (総組立)



REF NO.	PART NO.	DESCRIPTION		部 品 名	REMARKS	QTY	ランク
	--	OVERALL ASSEMBLY	MS202 II	総 組 立	J (VV54580)		
	--	OVERALL ASSEMBLY	MS202 II	総 組 立	UV (VV54590)		
	--	OVERALL ASSEMBLY	MS202 II	総 組 立	HW (VV54600)		
	--	OVERALL ASSEMBLY	MS202 II	総 組 立	B (VV54610)		
* 10	VV547200	Speaker Baffle		S P バ ッ フ ル			
20	XE596A00	Speaker	10.0cm 8ohm 10W	ス ピ ー カ ー	JA1060	2	08
* 30	VV547300	Speaker Cabinet		S P キ ャ ビ ネ ッ ト			
40	VA835700	Bind Head Tapping Screw-P	4.0X16 MFZN2BL	+ バ イ ン ド P タ イ ト		6	01
* 50	VV547400	Grille Assembly		グ リ ル A s s ' y			
50a	--	Vibration-proof Tape	A	防 振 テ ー プ		2	
50b	--	Vibration-proof Tape	B	防 振 テ ー プ		2	
60	--	Rear Assembly		リ ア A s s ' y	J (VV54630)		
60	--	Rear Assembly		リ ア A s s ' y	UV (VV54640)		
60	--	Rear Assembly		リ ア A s s ' y	HW (VV54650)		
60	--	Rear Assembly		リ ア A s s ' y	B (VV54660)		
70	VD277800	Bind Head Tapping Screw-P	3.5X8 ZMCBL	+ バ イ ン ド P タ イ ト		6	01
80	VP678100	Knob		ノ ブ (ブ ッ シ ュ)	POWER		03
90	VP678200	Knob		ノ ブ (マ ル)	MIC,HIGH,LOW	3	03
100	VP779100	Knob		ノ ブ (マ ル)	MASTER		03
* 110	VV547500	Sub Chassis	A STAND	S U B 金 具 A			
* 120	VV547600	Sub Chassis	B STAND	S U B 金 具 B			
* 130	VV636900	Flat Head Screw	5.0X18 MFZN2BL	+ 皿 小 ネ ジ		2	
140	VB931600	Bind Head Tapping Screw-P	4.0X8 MFZN2BL	+ バ イ ン ド P タ イ ト		8	01
* 150	VV547700	Stand Cover		ス タ ン ド カ バ ー			
* 160	VV547800	Cushion		ク ッ シ ョ ン			
* 170	VV534800	Foot	SJ-5832	ゴ ム 足 線			
* 180	--	Connector Assembly	C&F #24 4P L=350	ブ ロ テ ク タ ー	(VV51340)	2	
* 190	VV891100	Protector					
	--	Rear Assembly		リ ア A s s ' y	J (VV54630)		
	--	Rear Assembly		リ ア A s s ' y	UV (VV54640)		
	--	Rear Assembly		リ ア A s s ' y	HW (VV54650)		
	--	Rear Assembly		リ ア A s s ' y	B (VV54660)		
* R10	VV506700	Rear Panel		リ ア パ ネ ル	J		
* R10	VV506800	Rear Panel		リ ア パ ネ ル	UV		
* R10	VV506900	Rear Panel		リ ア パ ネ ル	HWB		
△* R20	XE174800	Power Transformer		電 源 ト ラ ン ス	J		
△* R20	XE175800	Power Transformer	UL,CSA B	電 源 ト ラ ン ス	UV		
△* R20	XE176C00	Power Transformer	CEE	電 源 ト ラ ン ス	HWB		
R30	EG340190	Bind Head Tapping Screw-B	4.0X8 MFZN2BL	+ バ イ ン ド B タ イ ト		4	01
* R40	VV323000	AC Cord	J	電 源 コ ー ド	J		
* R40	VV624900	AC Cord	UC SPT-1 2.0m	電 源 コ ー ド	UV		
* R40	VV323200	AC Cord	CEE 2.0m	電 源 コ ー ド	HW		
* R40	VV581600	AC Cord	BS 2P 10A 2.0m	電 源 コ ー ド	B		
R50	CB068630	Cord Strain Relief	SR-3P-4 HEYCO	コ ー ド ス ト ッ パ ー	JUV		01
R50	CB072750	Cord Strain Relief	SR-4N-4	コ ー ド ス ト ッ パ ー	HWB		01
* R60	VV547900	Heat Sink		ヒ ー ト シ ン ク			
R70	--	Circuit Board	MA	M A シ ー ト	JUV (VV48680)		
* R70a	NX818710	Circuit Board	MA1/4	M A 1 / 4 シ ー ト	JUV		
* R70b	NX818720	Circuit Board	MA2/4	M A 2 / 4 シ ー ト	JUV		
* R70c	NX818730	Circuit Board	MA3/4	M A 3 / 4 シ ー ト	JUV		
R70	--	Circuit Board	MA	M A シ ー ト	HWB (VV48690)		
* R70a	NX818670	Circuit Board	MA1/4	M A 1 / 4 シ ー ト	HWB		
* R70b	NX818680	Circuit Board	MA2/4	M A 2 / 4 シ ー ト	HWB		
* R70c	NX818690	Circuit Board	MA3/4	M A 3 / 4 シ ー ト	HWB		
* R70d	NX818700	Circuit Board	MA4/4	M A 4 / 4 シ ー ト	HWB		
R80	EP600190	Bind Head Tapping Screw-B	3.0X8 MFZN2BL	+ バ イ ン ド B タ イ ト		4	01
R81	EP630220	Bind Head Tapping Screw-P	3.0X8 MFZN2BL	+ バ イ ン ド P タ イ ト	JUV		01
R81	EP630220	Bind Head Tapping Screw-P	3.0X8 MFZN2BL	+ バ イ ン ド P タ イ ト	HWB	3	01
R100	EX802440	Spring Washer	#2 4.0 MFZN2BL	バ ネ 座 金		2	(0376533)
R110	VF513900	Insulation Sheet		放 熱 シ ー ト		2	03
* R120	VV548000	Angle Bracket	P.IC	ア ン グ ル			
R140	--	Label		注 意 書	UV (VV90340)		
R150	VV104600	Cord Holder	CV-100	イ ン シ ュ ロ ッ ク タ イ	JUV		
R150	VV104600	Cord Holder	CV-100	イ ン シ ュ ロ ッ ク タ イ	HWB	3	

* New Parts (新規部品)

ランク : Japan only

ELECTRICAL PARTS (電気部品)

REF NO.	PART NO.	DESCRIPTION	MS202II	部 品 名	REMARKS	QTY	ラック
	--	ELECTRICAL PARTS	MS202II	電 気 部 品			
*	NX818710	Circuit Board	MA	M A シ ー ト	JUV (VV48680)		
*	NX818720	Circuit Board	MA1/4	M A 1 / 4 シ ー ト	JUV (XL878E0)		
*	NX818730	Circuit Board	MA2/4	M A 2 / 4 シ ー ト	JUV (XL878E0)		
	--	Circuit Board	MA3/4	M A 3 / 4 シ ー ト	JUV (XL878E0)		
*	NX818670	Circuit Board	MA	M A シ ー ト	HWB (VV48690)		
*	NX818680	Circuit Board	MA1/4	M A 1 / 4 シ ー ト	HWB (XL878E0)		
*	NX818690	Circuit Board	MA2/4	M A 2 / 4 シ ー ト	HWB (XL878E0)		
*	NX818700	Circuit Board	MA3/4	M A 3 / 4 シ ー ト	HWB (XL878E0)		
	VP157200	Bind Head Tapping Screw-C	A3.0X6 MFZN2BL	+ バインド C タイ			01
	EG330360	Bind Head Screw	3.0X6 ZMC2BL	バ イ ン ド 小 ネ			01
	VB966900	Style Pin	IMSA-6024 L=35	ス タ イ ル ピ ン			01
	VV319600	Fuse Holder	CQ-05CT	ヒ ュ ー ズ ホ ル ダ ー			
	--	Sub Chassis		サ ブ シ ャ ー シ ー	(VV52440)		
	VV291400	Jumper Wire	0.60	ジ ャ ン パ ー 線			
	--	Cable Kit	B&B #20 1P*5 L130	線 材 キ ッ ト	(VV51320)		
	BB069510	Angle	#6951 A-8	ラ ン ド 金 具			01
	--	Connector Assembly	C&F #24 4P L=350	束 線	HWB (VV51340)		
	--	Cable Kit	B&B #20 1P*3 L180	線 材 キ ッ ト	HWB (VV60500)		
	VA855400	Terminal		P C 用 カ ラ ゲ 端 子			01
	FG613100	Ceramic Capacitor-B	1000P 50V K	セ ラ コ ン B			01
	FG612470	Ceramic Capacitor-B	470P 50V K	セ ラ コ ン B			01
	FG612560	Ceramic Capacitor-B	560P 50V K	セ ラ コ ン B			01
	FG652220	Ceramic Capacitor-SL	220P 50V J	セ ラ コ ン (S L)			
	FG651820	Ceramic Capacitor-SL	82P 50V J	セ ラ コ ン (S L)			01
	FG652150	Ceramic Capacitor-SL	150P 50V J	セ ラ コ ン (S L)			01
	FG651330	Ceramic Capacitor-SL	33P 50V J	セ ラ コ ン (S L)			01
	FG650300	Ceramic Capacitor-SL	3P 50V C	セ ラ コ ン (S L)			01
	FG652100	Ceramic Capacitor-SL	100P 50V J	セ ラ コ ン (S L)			01
	VV059300	Monolithic Ceramic Cap.	0.10 50V Z	積 層 セ ラ コ ン			
	UJ866470	Electrolytic Cap.	4.70 50.0V	ケ ミ コ ン			01
	UJ838100	Electrolytic Cap.	100.00 16.0V	ケ ミ コ ン			01
	UJ847100	Electrolytic Cap.	10.00 25.0V	ケ ミ コ ン			01
	UJ867470	Electrolytic Cap.	47.00 50.0V	ケ ミ コ ン			01
	UJ848100	Electrolytic Cap.	100.00 25.0V	ケ ミ コ ン			01
	UJ837470	Electrolytic Cap.	47.00 16.0V	ケ ミ コ ン			01
	VQ225700	Electrolytic Cap.	4700 35.0V VX	ケ ミ コ ン			04
	UJ868100	Electrolytic Cap.	100.00 50.0V	ケ ミ コ ン			01
*	VV060000	Mylar Capacitor	1200P 50V J	マ イ ラ ー コ ン			
*	VV063000	Mylar Capacitor	0.15 50V J	マ イ ラ ー コ ン			
*	VV062600	Mylar Capacitor	0.068 50V J	マ イ ラ ー コ ン			
*	VV062800	Mylar Capacitor	0.1 50V J	マ イ ラ ー コ ン			
*	VV062400	Mylar Capacitor	0.047 50V J	マ イ ラ ー コ ン			
*	VV062400	Mylar Capacitor	0.047 50V J	マ イ ラ ー コ ン			
*	VV520600	Capacitor	0.01 400V J.U.C.S	規 格 認 定 コ ン			
△*	VD631600	Diode	1S1133,176,HSS104	ダ イ オ ー ド			01
*	VV518200	Diode Stack	PBU403 4.0A 200V	ダ イ オ ー ド ス タ ッ ク			
*	VV301200	Fuse	TDS 1.5A 250V J/UC	ヒ ュ ー ズ	JUV		
*	VV301300	Fuse	TSD 800MA 250V SEM	ヒ ュ ー ズ	HWB		
	GD900470	Coil	RZ-001 1.5uH	空 芯 コ イ ル			01
△	IC1815M0	Transistor	2SC1815 Y,GR	ト ラ ン ジ ス タ			01
	IA097030	Transistor	2SA970 GR,BL	ト ラ ン ジ ス タ			01
	IA111520	Transistor	2SA1115 E,F	ト ラ ン ジ ス タ			01
	HF457680	Carbon Resistor	68.0K 1/4 J	カ ー ボ ン 抵 抗			01
	HF455100	Carbon Resistor	100.0 1/4 J	カ ー ボ ン 抵 抗			01
	HF457120	Carbon Resistor	12.0K 1/4 J	カ ー ボ ン 抵 抗			01
	HF455120	Carbon Resistor	120.0 1/4 J	カ ー ボ ン 抵 抗			01
	HF457100	Carbon Resistor	10.0K 1/4 J	カ ー ボ ン 抵 抗			01
	HF455470	Carbon Resistor	470.0 1/4 J	カ ー ボ ン 抵 抗			01
	HF457220	Carbon Resistor	22.0K 1/4 J	カ ー ボ ン 抵 抗			01
	HF455220	Carbon Resistor	220.0 1/4 J	カ ー ボ ン 抵 抗			01
	HF456560	Carbon Resistor	5.6K 1/4 J	カ ー ボ ン 抵 抗			01
	HF458330	Carbon Resistor	330.0K 1/4 J	カ ー ボ ン 抵 抗			01
	HF457180	Carbon Resistor	18.0K 1/4 J	カ ー ボ ン 抵 抗			01
	HF456220	Carbon Resistor	2.2K 1/4 J	カ ー ボ ン 抵 抗			01
	HF457560	Carbon Resistor	56.0K 1/4 J	カ ー ボ ン 抵 抗			01
	HF456150	Carbon Resistor	1.5K 1/4 J	カ ー ボ ン 抵 抗			01
	HF458100	Carbon Resistor	100.0K 1/4 J	カ ー ボ ン 抵 抗			01
	HF457330	Carbon Resistor	33.0K 1/4 J	カ ー ボ ン 抵 抗			01

* New Parts (新規部品)

ラック : Japan only

REF NO.	PART NO.	DESCRIPTION		部 品 名	REMARKS	QTY	ランク
	HF457470	Carbon Resistor	47.0K 1/4 J	カ ー ボ ン 抵 抗			01
	HF456820	Carbon Resistor	8.2K 1/4 J	カ ー ボ ン 抵 抗			01
	HF457150	Carbon Resistor	15.0K 1/4 J	カ ー ボ ン 抵 抗			01
	HF456330	Carbon Resistor	3.3K 1/4 J	カ ー ボ ン 抵 抗			01
△*	VV276800	Flame Proof C. Resistor	100 1/4 J	不 燃 化 カ ー ボ ン 抵 抗			
△*	VV276700	Flame Proof C. Resistor	4.7 1/4 J	不 燃 化 カ ー ボ ン 抵 抗			
*	VV276900	Flame Proof C. Resistor	1.0K 1/4 J	不 燃 化 カ ー ボ ン 抵 抗			
*	VV277000	Flame Proof C. Resistor	6.8K 1/4 J	不 燃 化 カ ー ボ ン 抵 抗			
*	VV301100	Metal Oxide Film Resistor	680 2W J	酸 化 金 属 被 膜 抵 抗			
	--	Connector Assembly	B&B #26 2P L=70	束 線	(VV51310)		
*	CN103	Connector Base Post	M2426XX 4P TE	コ ン ネ ク タ ベ ー ス ポ ス ト			
	IC101	IC	NJM2068D-D		C OP AMP		01
	IC102	IC	NJM2068D-D		C OP AMP		01
△	IC103	IC	STK 4026-2 25W 1CH		C POWER AMP		07
*	JK101	Phone Jack	HTJ-064	ホ ー ン コ ネ ク タ	MIC		
*	JK102	Phone Jack	HTJ-064	ホ ー ン コ ネ ク タ	LINE1		
*	JK103	Phone Jack	HTJ-064	ホ ー ン コ ネ ク タ	LINE2		
*	JK104	Phone Jack	HTJ-064	ホ ー ン コ ネ ク タ	LINE OUT		
*	JK105	Pin Connector		ピ ン ジ ャ ッ ク	INPUT LINE3		
	LD101	LED	LT311G-41-C13 RE	L E D	POWER indicator		
	RY101	Relay	DC OSA-SS-224DM3	リ レ ー	24V		06
	SW101	Push Switch	SDDL11874-YL	プ ッ シ ュ S W	POWER		
	SW102	Slide Switch	SDKGB	ス ラ イ ド S W	HWB Voltage selector		03
*	VR101	Rotary Variable Resistor	A 10K RK112MF0	ロ ー タ リ ー V R	MIC		
*	VR102	Rotary Variable Resistor	A 10K RK112MF0	ロ ー タ リ ー V R	MASTER		
*	VR103	Rotary Variable Resistor	B 20K RK112MF0	ロ ー タ リ ー V R	HIGH		
*	VR104	Rotary Variable Resistor	B 20K RK112MF0	ロ ー タ リ ー V R	LOW		
	ZD101	Zener Diode	MTZ J 12.0C 12.0V	ツ ェ ナ ー ダイ オ ー ド			01
	ZD102	Zener Diode	MTZ J 24.0C 24.0V	ツ ェ ナ ー ダイ オ ー ド			01
△*	XE174B00	Power Transformer		電 源 ト ラ ン ス	J		
△*	XE175B00	Power Transformer	UL,CSA B	電 源 ト ラ ン ス	UV		
△*	XE176C00	Power Transformer	CEE	電 源 ト ラ ン ス	HWB		
*	VV329000	AC Cord	J	電 源 コ ー ド	J		
*	VV624900	AC Cord	UC SPT-1 2.0m	電 源 コ ー ド	UV		
*	VV329200	AC Cord	CEE 2.0m	電 源 コ ー ド	HW		
	VV581600	AC Cord	BS 2P 10A 2.0m	電 源 コ ー ド	B		
	XE596A00	Speaker	10.0cm 8ohm 10W	ス ピ ー カ ー	JA1060	2	08

* New Parts (新規部品)

ランク : Japan only