

# PORTABLE PA SYSTEM STAGEPAS 300

## SERVICE MANUAL



Speaker



Mixer



Speaker

### ■ CONTENTS (目次)

SPECIFICATIONS (総合仕様) .....	3
PANEL LAYOUT (パネルレイアウト) .....	4
DIMENSIONS (寸法図) .....	4
CIRCUIT BOARD LAYOUT (ユニットレイアウト) .....	5
DISASSEMBLY PROCEDURE (分解手順) .....	6
IC BLOCK DIAGRAM (ICブロック図) .....	15
CIRCUIT BOARDS (シート基板図) .....	16
INSPECTIONS (検査) .....	23
TROUBLE SHOOTING (トラブルシューティング) .....	26
PARTS LIST	
BLOCK DIAGRAM (ブロックダイアグラム)	
CIRCUIT DIAGRAM (回路図)	

**IMPORTANT NOTICE**

This manual has been provided for the use of authorized Yamaha Retailers and their service personnel. It has been assumed that basic service procedures inherent to the industry, and more specifically Yamaha Products, are already known and understood by the users, and have therefore not been restated.

**WARNING :** Failure to follow appropriate service and safety procedures when servicing this product may result in personal injury, destruction of expensive components and failure of the product to perform as specified. For these reasons, we advise all Yamaha product owners that all service required should be performed by an authorized Yamaha Retailer or the appointed service representative.

**IMPORTANT :** This presentation or sale of this manual to any individual or firm does not constitute authorization certification, recognition of any applicable technical capabilities, or establish a principal-agent relationship of any form.

The data provided is believed to be accurate and applicable to the unit(s) indicated on the cover. The research engineering, and service departments of Yamaha are continually striving to improve Yamaha products. Modifications are, therefore, inevitable and changes in specification are subject to change without notice or obligation to retrofit. Should any discrepancy appear to exist, please contact the distributor's Service Division.

**WARNING :** Static discharges can destroy expensive components. Discharge any static electricity your body may have accumulated by grounding yourself to the ground bus in the unit (heavy gauge black wires connect to this bus.)

**IMPORTANT :** Turn the unit OFF during disassembly and parts replacement. Recheck all work before you apply power to the unit.

**WARNING: CHEMICAL CONTENT NOTICE!**

The solder used in the production of this product contains LEAD. In addition, other electrical/electronic and/or plastic (Where applicable) components may also contain traces of chemicals found by the California Health and Welfare Agency (and possibly other entities) to cause cancer and/or birth defects or other reproductive harm.

**DO NOT PLACE SOLDER, ELECTRICAL/ELECTRONIC OR PLASTIC COMPONENTS IN YOUR MOUTH FOR ANY REASON WHAT SO EVER!**

Avoid prolonged, unprotected contact between solder and your skin! When soldering, do not inhale solder fumes or expose eyes to solder/flux vapor!

If you come in contact with solder or components located inside the enclosure of this product, wash your hands before handling food.


**IMPORTANT NOTICE FOR THE UNITED KINGDOM  
Connecting the Plug and Cord**

**WARNING: THIS APPARATUS MUST BE EARTHED**

**IMPORTANT.** The wires in this mains lead are coloured in accordance with the following code:

GREEN-AND-YELLOW	: EARTH
BLUE	: NEUTRAL
BROWN	: LIVE

As the colours of the wires in the mains lead of this apparatus may not correspond with the coloured markings identifying the terminals in your plug proceed as follows:

The wire which is coloured GREEN-and-YELLOW must be connected to the terminal in the plug which is marked by the letter E or by the safety earth symbol  or colored GREEN or GREEN-and-YELLOW.


The wire which is coloured BLUE must be connected to the terminal which is marked with the letter N or coloured BLACK.

The wire which is coloured BROWN must be connected to the terminal which is marked with the letter L or coloured RED.

• This applies only to products distributed by Yamaha-Kemble Music (U.K.) Ltd.

(3 wires)

**■ WARNING**

Components having special characteristics are marked  and must be replaced with parts having specification equal to those originally installed.



印の部品は、安全を維持するために重要な部品です。交換する場合は、安全のために必ず指定の部品をご使用ください。

## ■ SPECIFICATIONS

### ● General Specifications

#### Maximum Output Power

≥150 W+150 W/6 Ω @10 % THD at 1 kHz (SPEAKER L/R)  
 ≥100 W+100 W/6 Ω @1 % THD at 1 kHz (SPEAKER L/R)

#### Frequency Response

-3 dB, 0 dB, +1 dB @20 Hz~20 kHz, 1 W Output/6 Ω (Without MUSIC/SPEECH, EQ and SP EQ Circuit) (SPEAKER L/R)  
 -3 dB, 0 dB, +1 dB @20 Hz~20 kHz, +4 dBu 10 kΩ Load  
 [MUSIC/SPEECH]switch=MUSIC (MONITOR OUT, REC OUT)

#### Total Harmonic Distortion

≤1 % @1 kHz, 50 W Output Power (SPEAKER L/R)  
 ≤0.5 % @20 Hz~20 kHz, +14 dBu 10 kΩ (MONITOR OUT, REC OUT)

#### Hum & Noise (20 Hz~20 kHz, Rs=150 Ω, MIC/LINE switch=MIC)

≤-65 dBu Residual output noise (SPEAKER L/R)  
 ≤-90 dBu Residual output noise (MONITOR OUT, REC OUT)  
 ≤-67 dBu @MONITOR OUT control & one CH LEVEL control at nominal level (CH1~4)(MONITOR OUT)

#### Crosstalk (1 kHz)

≤-70 dB between input channels

#### Weight

18 kg (mixer and two speakers)

#### Power Consumption

70 W

#### Stereo Input Channel Equalization:

Shelving turnover/rolloff frequency:  
 3 dB before maximum cut or boost.  
 ±15 dB  
 HIGH 10 kHz shelving  
 LOW 100 Hz shelving

#### Accessories

Power Cable, Speaker Cable, Owner's Manual

#### Option

Microphone

### ● Speaker

#### Enclosure

Bass-reflex type

#### Speaker Unit

LF: 8" (20 cm) Cone  
 HF: 1" (2.54 cm) Compression Driver

#### Cross Over Frequency

4 kHz

#### Frequency Range

55 Hz~20 kHz

#### Maximum Output Level

112 dB (1 m)

## ■ 総合仕様

### ● 一般仕様

#### 最大出力

150 W+150 W/6 Ω @10 % THD at 1 kHz (SPEAKER L/R)  
 100 W+100 W/6 Ω @1 % THD at 1 kHz (SPEAKER L/R)

#### 周波数特性

-3 dB, 0 dB, +1 dB @20 Hz ~ 20 kHz, 1 W 出力/6 Ω  
 (MUSIC/SPEECH, EQ and SP EQ Circuit を除く) (SPEAKER L/R)  
 -3 dB, 0 dB, +1 dB @20 Hz ~ 20 kHz, +4 dBu 10 k Ω Load  
 [MUSIC/SPEECH]スイッチ=MUSIC (MONITOR OUT, REC OUT)

#### 全高調波歪率

1 % @1 kHz, 50W Output Power (SPEAKER L/R)  
 0.5 % @20 Hz~20 kHz, +14 dBu 10 k Ω (MONITOR OUT, REC OUT)

#### ハム & ノイズ (20 Hz ~ 20 kHz, Rs=150 Ω, MIC/LINE スイッチ=MIC)

-65 dBu 残留ノイズ (SPEAKER L/R)  
 -90 dBu 残留ノイズ (MONITOR OUT, REC OUT)  
 -67 dBu @MONITOR OUTコントロール&1チャンネルコントロール  
 ノミナルレベル (CH1 ~ 4)(MONITOR OUT)

#### クロストーク (1 kHz)

-70 dB 入出力間

#### 質量

18 kg (スピーカー2台 + ミキサー)

#### 消費電力

70 W

#### 入力チャンネルイコライザー特性

シェルピングタイプのターンオーバー/ロールオフ周波数:  
 最大可変幅(±15 dB)に対し3 dB下がったポイント  
 HIGH 10 kHz シェルピングタイプ  
 LOW 100 Hz シェルピングタイプ

#### 付属品

電源ケーブル、スピーカーケーブル、取扱説明書、保証書

#### オプション

マイク

### ● スピーカー エンクロージャー

バスレフ型

#### スピーカーユニット

LF: 8" (20 cm) コーン  
 HF: 1" (2.54 cm) コンプレッションドライバー

#### クロスオーバー周波数

4 kHz

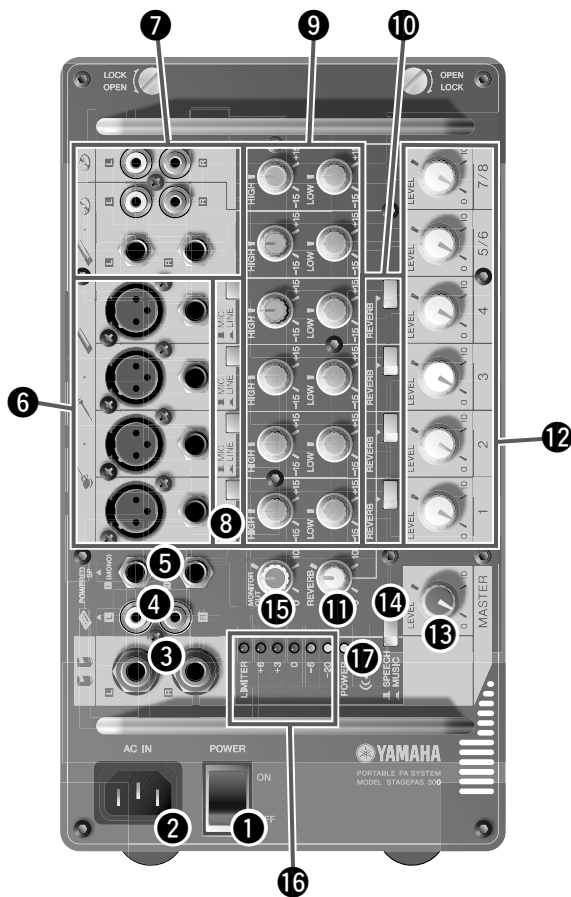
#### 再生周波数帯域

55 Hz ~ 20 kHz

#### 最大出力音圧レベル

112 dB (軸上1 m)

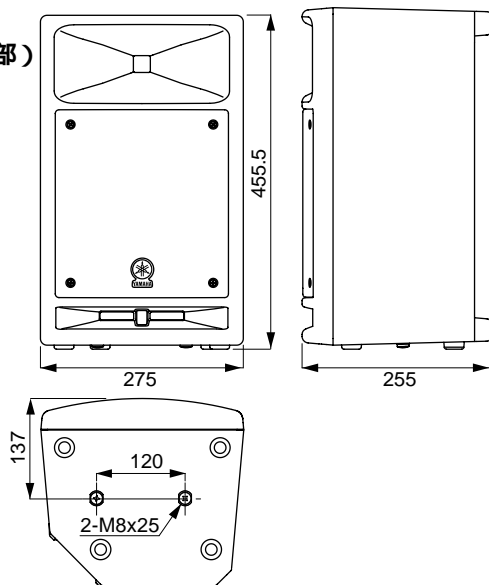
## ■ PANEL LAYOUT (パネルレイアウト)



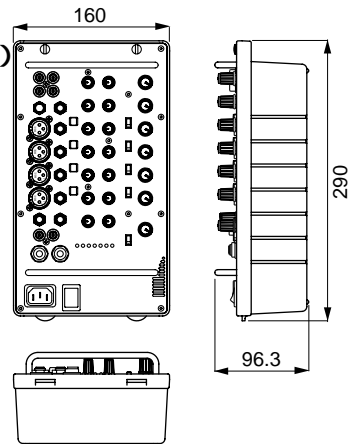
- ① [POWER] switch ([POWER]スイッチ)
- ② [AC IN] jack ([AC IN]端子)
- ③ [SPEAKER L/R] jacks  
([SPEAKER L/R]端子(付属のスピーカー用))
- ④ [REC OUT L/R] jacks ([REC OUT L/R]端子)
- ⑤ [MONITOR OUT L(MONO)/R] jacks  
([MONITOR OUT L(MONO)/R]端子)
- ⑥ Channel input jacks (CH 1 to 4)  
(チャンネル入力端子 (CH 1から4))
- ⑦ Stereo channel input jacks (CH 5/6, 7/8)  
(ステレオチャンネル入力端子(CH 5/6、7/8))
- ⑧ [MIC/LINE] switches ([MIC/LINE]スイッチ)
- ⑨ Equalizer [HIGH]/[LOW] (EQ(イコライザー))
- ⑩ [REVERB] switches ([REVERB]スイッチ)
- ⑪ [REVERB] control ([REVERB]コントロール)
- ⑫ [LEVEL] control ([LEVEL]コントロール)
- ⑬ [MASTER LEVEL] control  
([MASTER LEVEL]コントロール)
- ⑭ [SPEECH/MUSIC] switch  
([SPEECH/MUSIC]スイッチ)
- ⑮ [MONITOR OUT] control  
([MONITOR OUT]コントロール)
- ⑯ [LEVEL] meter ([LEVEL]メーター)
- ⑰ [POWER] indicator ([POWER]インジケーター)

## ■ DIMENSIONS (寸法図)

Speaker  
(スピーカー部)

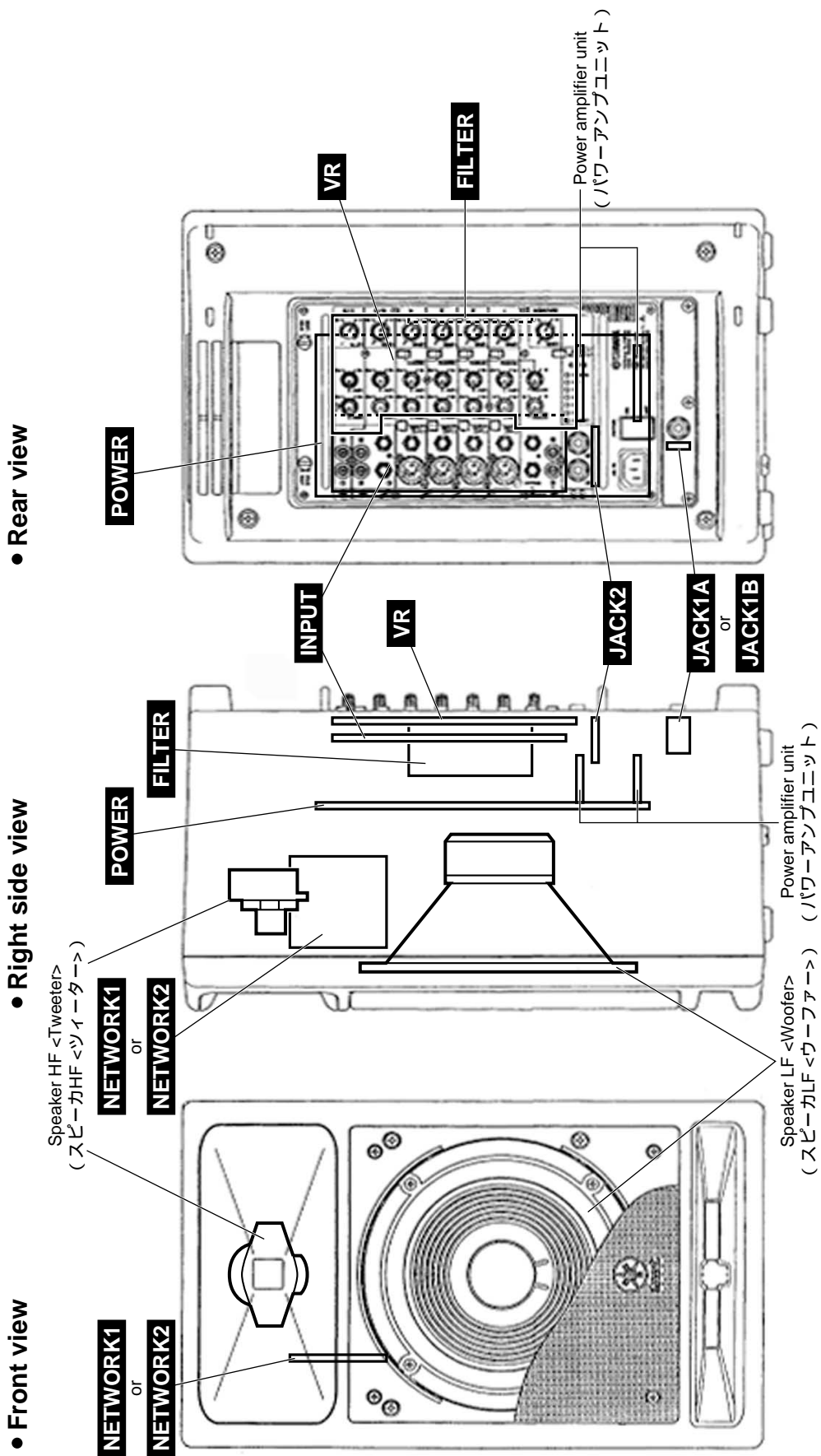


Mixer  
(ミキサー部)



Unit: mm  
(単位)

# ■ CIRCUIT BOARD LAYOUT (ユニットレイアウト)



## ■ DISASSEMBLY PROCEDURE (分解手順)

### 1. Front Grille Assembly

(Time required: About 1 minute)

- 1-1 Remove the four (4) screws marked [120A]. The front grille assembly can then be removed. (Fig.1)

### 2. Speaker LF (Woofer)

(Time required: About 2 minutes)

- 2-1 Remove the front grille assembly. (See procedure 1)  
 2-2 Remove the four (4) screws marked [100A]. The speaker LF (woofer) can then be removed. (Fig.1)  
 2-3 Remove the wire LF (red/black) attached to the speaker LF (woofer). (Photo.1)

### 3. Front Cabinet Unit, Rear Cabinet Unit

(Time required: About 3 minutes)

- 3-1 Remove the front grille assembly. (See procedure 1)  
 3-2 Remove the five (5) screws marked [80A] and four (4) screws marked [80B]. The front cabinet unit and rear cabinet unit can then be separated. (Fig.1,2)  
 3-3 Remove the wire LF (red/black) attached to the speaker LF (woofer). (Photo.1)  
 3-4 Remove the wire HF (yellow/blue) attached to the speaker HF (tweeter). (Photo.2)

\* Take care not to open the front cabinet unit and rear cabinet unit too wide or the speaker LF (woofer) terminal and speaker HF (tweeter) terminal may be damaged.

### 1. フロントグリル Ass'y (所要時間: 約1分)

- 1-1 [120A]のネジ4本を外して、フロントグリル Ass'yを外します。(図1)

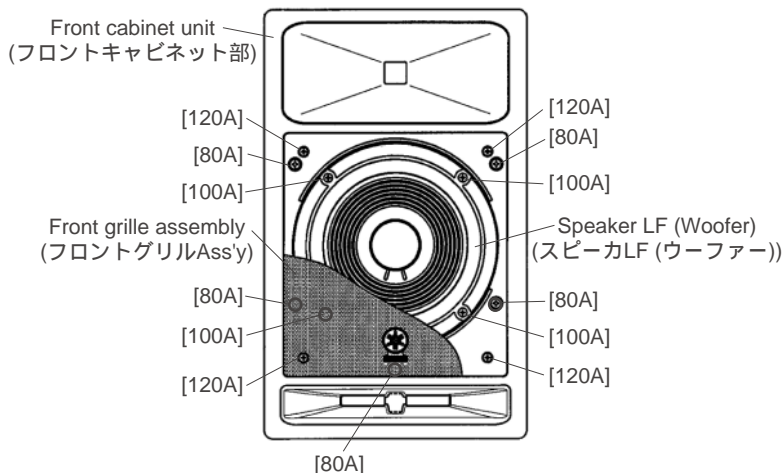
### 2. スピーカLF(ウーファー) (所要時間: 約2分)

- 2-1 フロントグリル Ass'yを外します。(1項参照)  
 2-2 [100A]のネジ4本を外して、スピーカLF(ウーファー)を外します。(図1)  
 2-3 スピーカLF(ウーファー)に取り付けられている束線LF(赤/黒)を外します。(写真1)

### 3. フロントキャビネット部、リアキャビネット部 (所要時間: 約3分)

- 3-1 フロントグリル Ass'yを外します。(1項参照)  
 3-2 [80A]のネジ5本と[80B]のネジ4本を外して、フロントキャビネット部、リアキャビネット部を別けます。(図1,2)  
 3-3 スピーカLF(ウーファー)に取り付けられている束線LF(赤/黒)を外します。(写真1)  
 3-4 スピーカHF(ツイーター)に取り付けられている束線HF(黄/青)を外します。(写真2)  
 フロントキャビネット部とリアキャビネット部を開きすぎて、スピーカLF(ウーファー)端子、スピーカHF(ツイーター)端子を傷めないように注意してください。

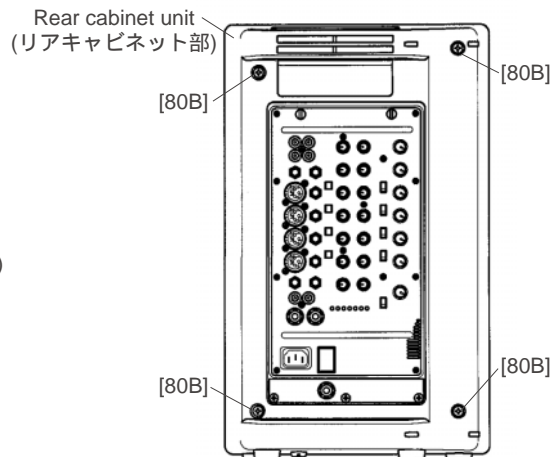
<Front view>



- [80A]: Bind Head Tapping Screw-A (+ バインド A タイト) 5.0X35 NI-BL (AAX61640)  
 [100A]: Bind Head Tapping Screw-B (+ バインド B タイト) 4.0X18 NI-BL (AAX61660)  
 [120A]: Bind Head Tapping Screw-B (+ バインド B タイト) 4.0X10 NI-BL (AAX61680)

Fig.1 (図1)

<Rear view>



- [80B]: Bind Head Tapping Screw-A (+ バインド A タイト) 5.0X35 NI-BL (AAX61640)

Fig.2 (図2)

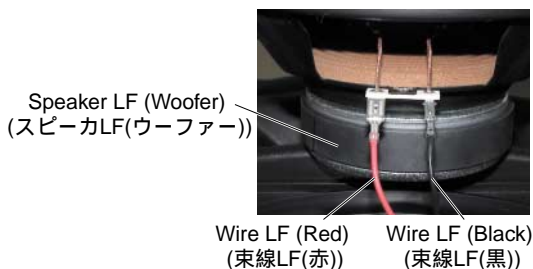


Photo 1 (写真 1)

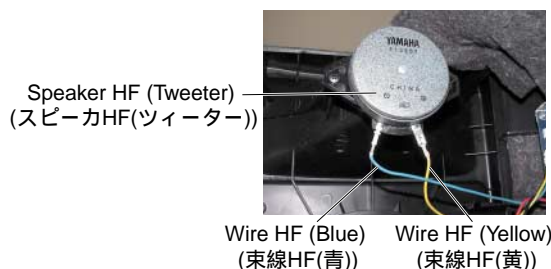


Photo 2 (写真 2)

**4. Speaker HF (Tweeter)**

(Time required: About 4 minutes)

- 4-1 Remove the front grille assembly. (See procedure 1)
- 4-2 Separate the front cabinet unit and rear cabinet unit. (See procedure 3)
- 4-3 Remove the two (2) screws marked [70A]. The speaker HF (tweeter) can then be removed from the front cabinet unit. (Fig.3)

**4. スピーカHF(ツイーター) 所要時間:約4分)**

- 4-1 フロントグリル Ass'y を外します。(1項参照)
- 4-2 フロントキャビネット部、リアキャビネット部を別けます。(3項参照)
- 4-3 [70A]のネジ2本を外して、フロントキャビネット部からスピーカHF(ツイーター)を外します。(図3)

**5. Network Assembly, NETWORK1 Circuit Board or NETWORK2 Circuit Board**

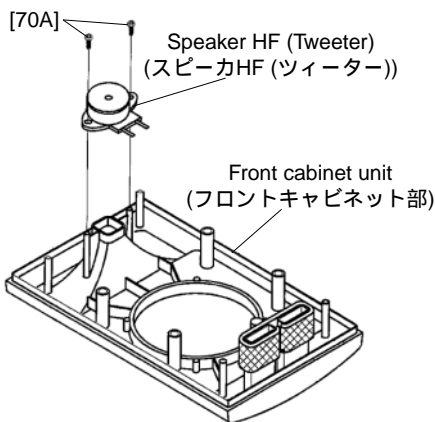
(Time required: About 7 minutes)

- 5-1 Remove the front grille assembly. (See procedure 1)
- 5-2 Separate the front cabinet unit and rear cabinet unit. (See procedure 3)
- 5-3 Remove the four (4) screws marked [13]. The network assembly can then be removed from the rear cabinet unit. (Fig.4)
- 5-4 Remove the four (4) screws marked [N40]. The network holders C and D can then be removed from the NETWORK1 circuit board or NETWORK2 circuit board. (Fig.4)

**5. ネットワーク Ass'y、NETWORK1 シートまたはNETWORK2 シート**

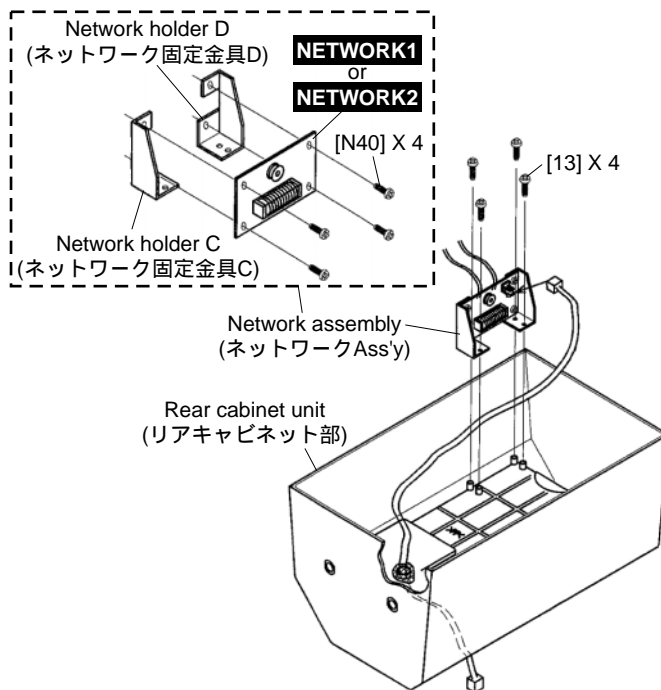
(所要時間:約7分)

- 5-1 フロントグリル Ass'y を外します。(1項参照)
- 5-2 フロントキャビネット部、リアキャビネット部を別けます。(3項参照)
- 5-3 [13]のネジ4本を外して、リアキャビネット部からネットワーク Ass'yを外します。(図4)
- 5-4 [N40]のネジ4本を外して、NETWORK1 シートまたはNETWORK2 シートからネットワーク固定金具C、Dを外します。(図4)



[70A]: Bind Head Tapping Screw-B (+ バインド B タイト) 4.0X20 NI-BL (AAX61630)

Fig.3 (図 3)



[13]: Bind Head Tapping Screw-B (+ バインド B タイト) 3.0X10 NI-BL (AAX61710)  
 [N40]: Pan Head Tapping Screw-B (+ ナベタッピング B タイト) 3.0X8 CR3 (AAX61700)

Fig.4 (図 4)

**6. Mixer Assembly, Cover Mold Assembly  
(Time required: About 1 minute)**

6-1 Rotate the two (2) straight slots on the fastener heads with a coin driver or minus driver until each straight slot is in alignment with the OPEN position. The mixer assembly or cover mold assembly can then be removed. (Fig.5)

**6. ミキサー Ass'y、カバーモールド Ass'y  
(所要時間：約1分)**

6-1 コインドライバーまたはマイナスドライバーで、ファスナーヘッドのマイナス形溝2箇所をOPENの位置まで回して、ミキサー Ass'y またはカバーモールド Ass'y を外します。(図5)

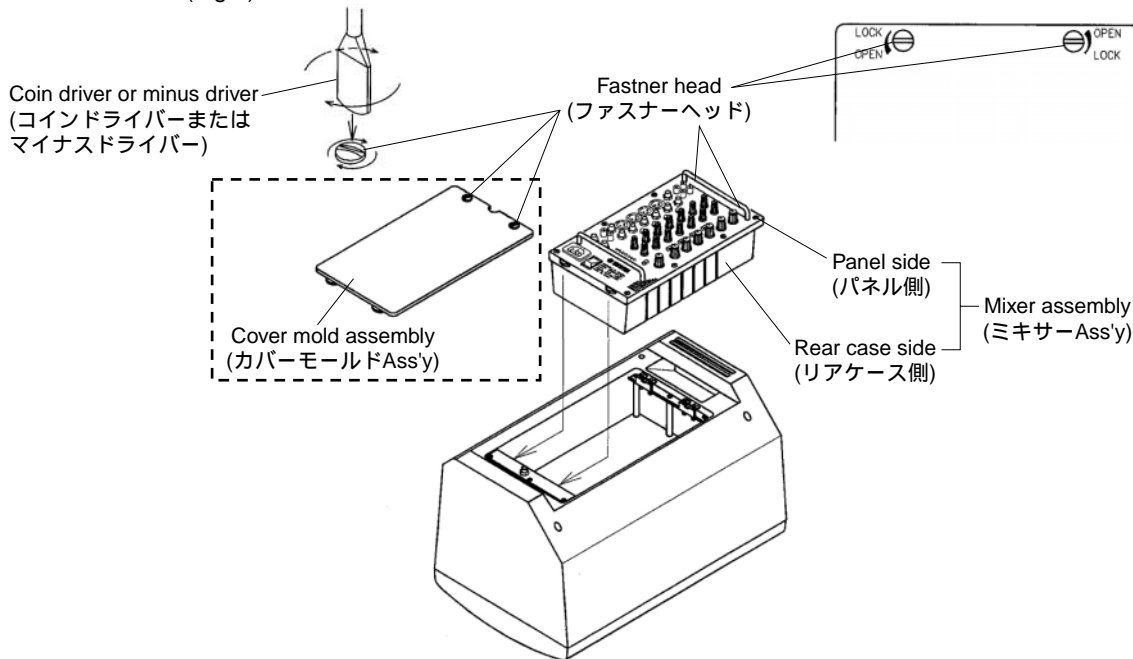


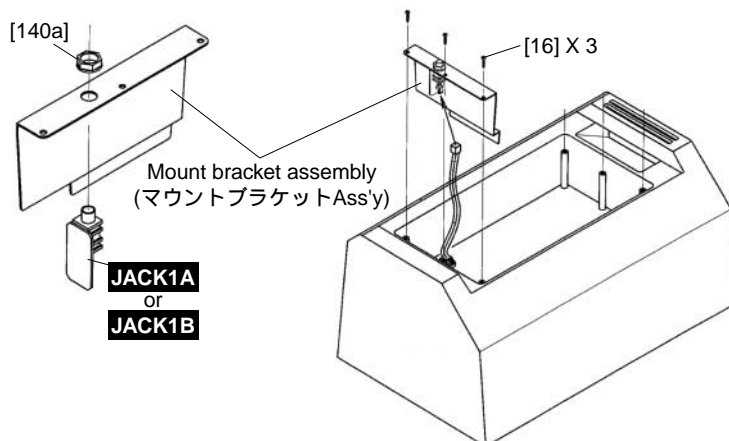
Fig.5 (図5)

**7. JACK1A Circuit Board or JACK1B Circuit Board  
(Time required: About 2 minutes)**

7-1 Remove the mixer assembly or cover mold assembly. (See procedure 6)  
7-2 Remove the three (3) screws marked [16]. The mount bracket assembly can then be removed together with the JACK1A circuit board or JACK1B circuit board. (Fig.6)  
7-3 Remove the hexagonal nut marked [140a]. The JACK1A circuit board or JACK1B circuit board can then be removed from the mount bracket assembly. (Fig.6)

**7. JACK1A シートまたはJACK1B シート  
(所要時間：約2分)**

7-1 ミキサー Ass'y またはカバーモールド Ass'y を外します。(6項参照)  
7-2 [16]のネジ3本を外して、JACK1A シートまたはJACK1Bシートと共にマウントブラケット Ass'y を外します。(図6)  
7-3 [140a]の特殊六角ナット1個を外して、マウントブラケット Ass'y から JACK1A シートまたはJACK1Bシートを外します。(図6)



[16]: Bind Head Tapping Screw-B (+ バインド B タイト) 4.0X10 NI-BL (AA61680)  
[140a]: Hexagonal Nut (特殊六角ナット) M15.0 BL

Fig.6 (図6)



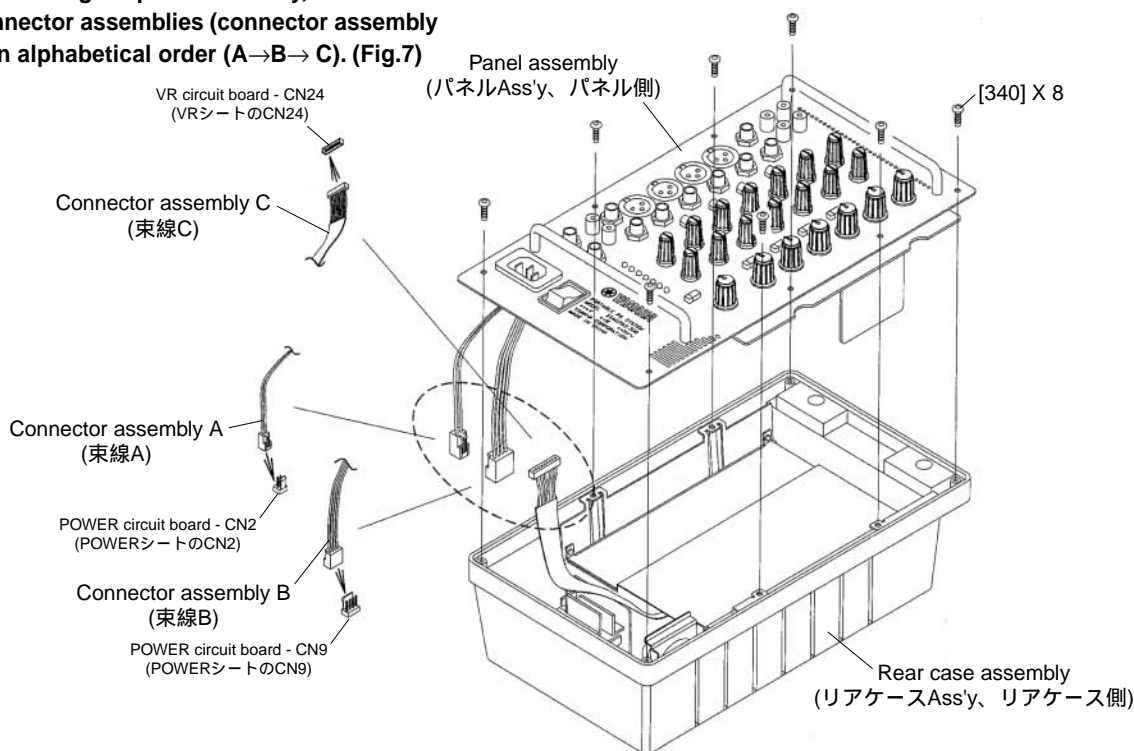
## 8. Mixer Assembly (Panel Assembly, Rear Case Assembly)

(Time required: About 3 minutes)

- 8-1 Remove the mixer assembly. (See procedure 6)  
 8-2 Remove the eight (8) screws marked [340], and separate the panel assembly and rear case assembly from the mixer assembly. (Fig.7) (See the cautions below:)

### <Cautions on removing panel assembly and connection>

- \* When removing the panel assembly, take care not to damage the three connector assemblies (connector assembly A, B, C). (Fig.7)
- \* When assembling the panel assembly, connect the three connector assemblies (connector assembly A, B, C) in alphabetical order (A→B→C). (Fig.7)



[340]: Hexagonal Tapping Screw-B (六角ネジB タイト) 3.0X8 NI-BL (AAX62010)

Fig.7 (図7)

### [Disassembly of Panel Assembly (Mixer Assembly)]

- \* Before removing the following parts (in procedure 9 to procedure 13), remove the mixer assembly (see procedure 6), rear case assembly (see procedure 8).

## 9. INPUT Circuit Board

(Time required: About 6 minutes)

- 9-1 Remove the eight (8) hexagonal nuts marked [190a] and ten (10) screws marked [200] from the panel printing side. (Fig.8)  
 9-2 Remove the INPUT circuit board from the connectors CN21 and CN26 of the VR circuit board. (Fig.8)
- \* The four (4) push buttons marked [170] and four (4) push spacers marked [180] are not parts of the INPUT circuit board. When replacing the INPUT circuit board, be sure to remove these parts and attach them to the new INPUT circuit board. (Fig.9)

## 8. ミキサー Ass'y(パネル側、リアケース側)

(所要時間: 約3分)

- 8-1 ミキサー Ass'yを外します。(6項参照)  
 8-2 [340]のネジ8本を外して、ミキサー Ass'yからパネル側とリアケース側を別けます。(図7)(下記注意事項参照)

### パネル側の取り外し / 接続時の注意

パネル側を外す時に、3本の束線(束線A,B,C)に注意してください。(図7)

パネル側を取り付ける際は、3本の束線(束線A,B,C)をA B Cの順に接続します。(図7)

### 【パネル側(ミキサー Ass'y)の分解】

以下の各部品(9項~13項)を取り外す前に、ミキサー Ass'y(6項参照)リアケース側(8項参照)を外しておきます。

## 9. INPUT シート(所要時間: 約6分)

- 9-1 パネル印刷面から[190a]の特殊六角ナット8個、[200]のネジ10本を外します。(図8)  
 9-2 VRシートのCN21、CN26のコネクターからINPUTシートを外します。(図8)  
 [170]のプッシュボタン4個と[180]のプッシュペーサ4個は、INPUTシートの構成部品ではありません。INPUTシートを交換する際には必ずこれらを取り外し、新しいINPUTシートに取り付けてください。(図9)

## 10. VR Circuit Board

(Time required: About 10 minutes)

- 10-1 Remove the INPUT circuit board. (See procedure 9)
- 10-2 Remove the six (6) volume knobs (white) marked [130] and the volume knob (red) marked [140] from the panel printing side. (Fig.8)
- 10-3 Remove the five (5) screws marked [160]. The VR circuit board can then be removed. (Fig.10)

\* The following parts are not parts of the VR circuit board. When replacing the VR circuit board, be sure to remove these parts and attach them to the new VR circuit board. (Fig.11)

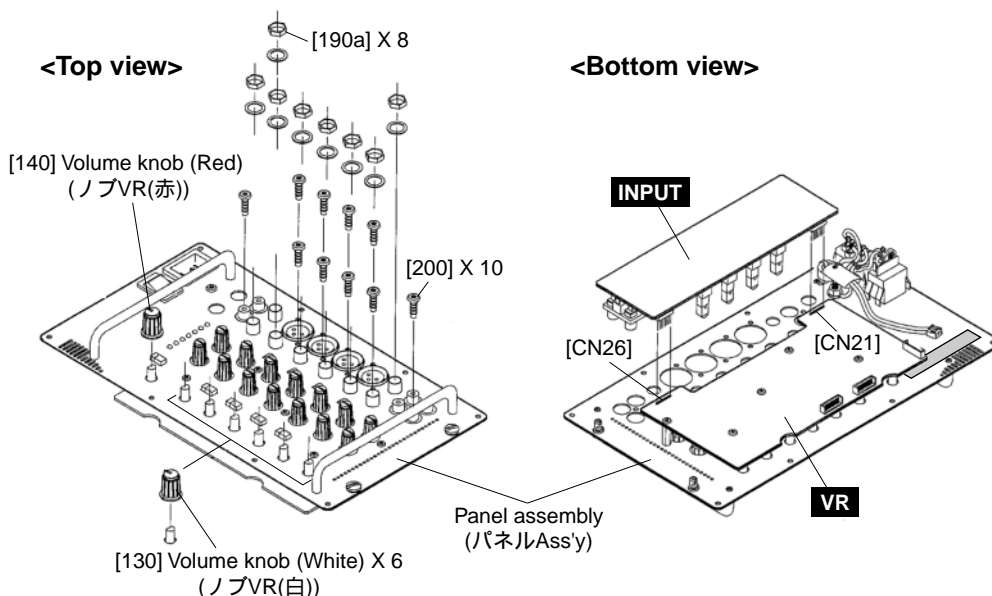
- [90]: Push buttons 5 pcs.
- [100B]: Volume knob (S) (white) 1 pc.
- [110A]: Volume knobs (S) (green) 12 pcs.
- [120B]: Volume knob (S) (blue) 1 pc.

## 10. VR シート (所要時間: 約 10 分)

- 10-1 INPUT シートを外します。(9 項参照)
- 10-2 パネル印刷面から [130] のノブ VR (白) 6 個、[140] のノブ VR (赤) 1 個を外します。(図 8)
- 10-3 [160] のネジ 5 本を外して、VR シートを外します。(図 10)

以下の各部品は、VR シートの構成部品ではありません。VR シートを交換する際には必ずこれらを取り外し、新しい VR シートに取り付けてください。(図 11)

- [90]: プッシュボタン 5 個
- [100B]: ノブ VR (S) (白) 1 個
- [110A]: ノブ VR (S) (緑) 12 個
- [120B]: ノブ VR (S) (青) 1 個



[190a]: Hexagonal Nut (特殊六角ナット) M11.0  
 [200]: Bind Head Tapping Screw-B (+バインド B タイト) 3.0X10 NI-BL (AAX61710)

Fig.8 (図 8)

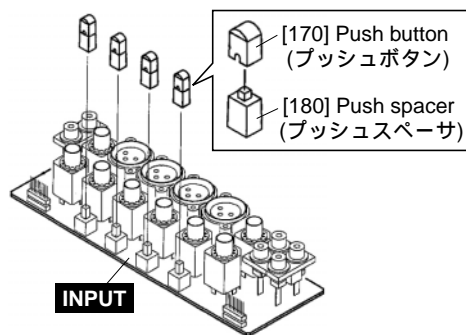
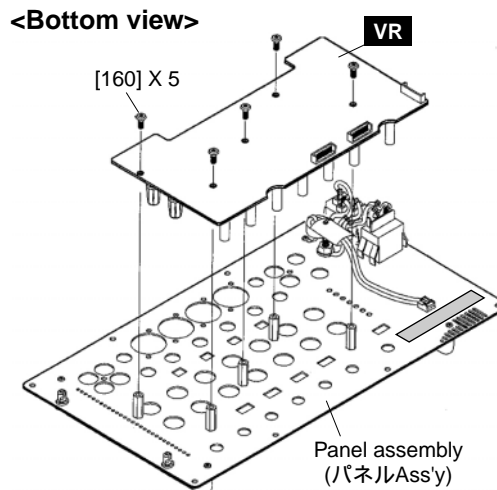


Fig.9 (図 9)



[160]: Bind Head Screw (+バインド小ネジ) 3.0X8 CR3 (AAX61910)

Fig.10 (図 10)

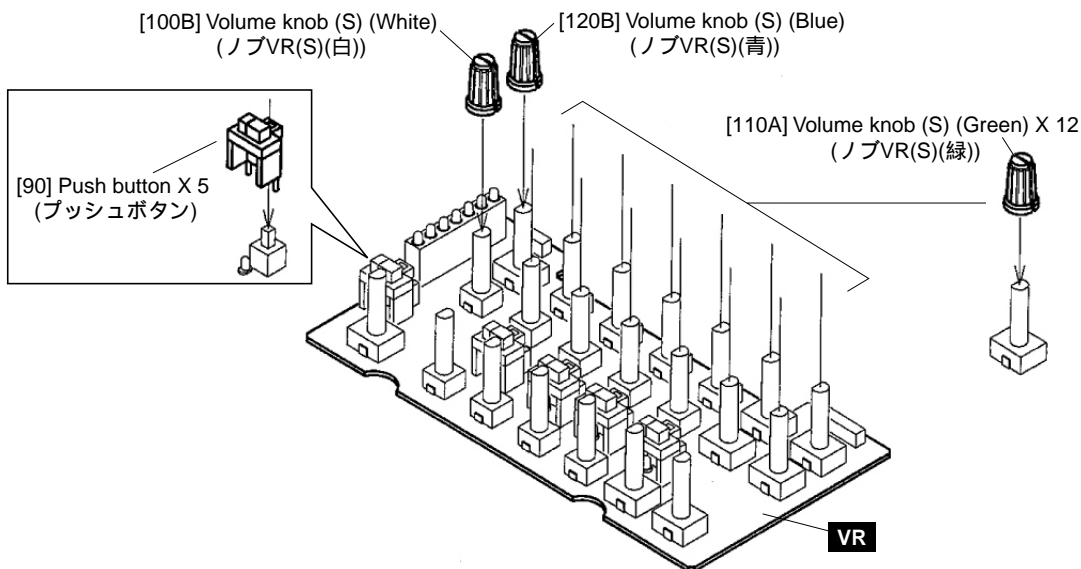


Fig.11 (図 11)

**11. FILTER Circuit Board**

(Time required: About 4 minutes)

11-1 Remove the FILTER circuit board from the connectors CN27 and CN31 of the VR circuit board. (Fig.12)

**11. FILTER シート (所要時間: 約 4 分)**

11-1 VR シートの CN27 と CN31 のコネクターから、FILTER シートを外します。(図 12)

**12. JACK2 Circuit Board**

(Time required: About 4 minutes)

12-1 Remove the two (2) hexagonal nuts marked [220a] from the panel printing side. The JACK2 circuit board can then be removed. (Fig.13)

**12. JACK2 シート (所要時間: 約 4 分)**

12-1 パネル印刷面から[220a]の特殊六角ナット2個を外し、JACK2 シートを外します。(図 13)

**13. Power Switch, AC Inlet**

(Time required: About 5 minutes)

13-1 Remove the two (2) connector assemblies (connector assembly (1P) and connector assembly (2P)) and earth wire soldered to the power switch and AC inlet. (Fig.14)

**13. 電源スイッチ、AC インレット**

(所要時間: 約 5 分)

13-1 電源スイッチとACインレットに半田付けされている束線2本(束線1P,束線2P)とアース線を外します。(図 14)

13-2 Remove the power switch by pressing its claws. (Fig.15)

13-2 電源スイッチのツメを押して外します。(図 15)

13-3 Remove the AC inlet by pressing its claws. (Fig.16)

13-3 AC インレットのツメを押して外します。(図 16)

<Bottom view>

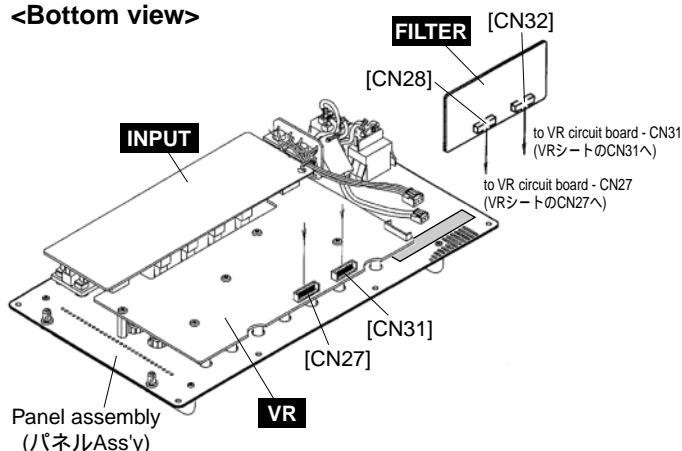
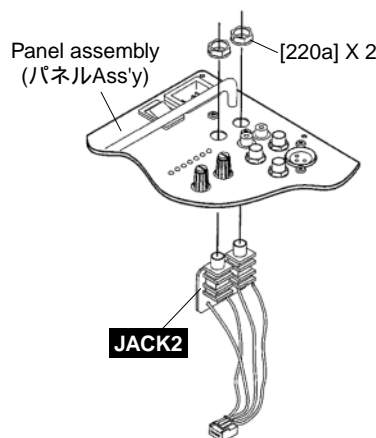


Fig.12 (図 12)



[220a]: Hexagonal Nut (特殊六角ナット) M15.0 BL

Fig.13 (図 13)

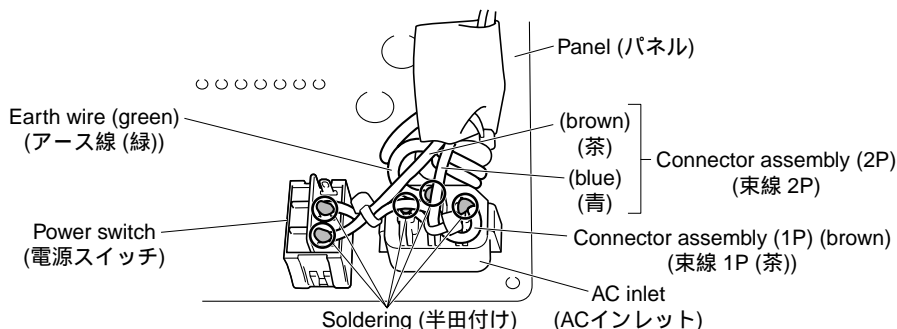


Fig.14 (図14)

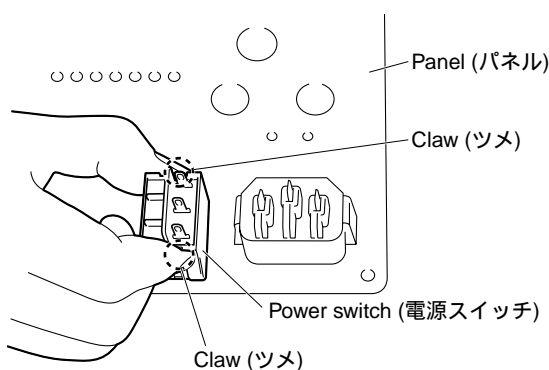


Fig.15 (図15)

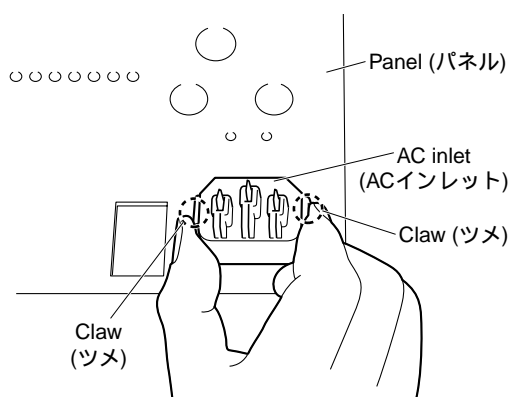


Fig.16 (図16)

[Disassembly of Rear Case Assembly (Mixer Assembly)]

\* Before removing the following parts (in procedure 14 to procedure 16), remove the mixer assembly (see procedure 6), panel assembly (see procedure 8).

14. Power Amplifier Unit, POWER Circuit Board (Time required: About 6 minutes)

- 14-1 Remove the screw marked [270A]. The power amplifier unit A can then be removed. (Fig.17)
- 14-2 Remove the screw marked [270B]. The power amplifier unit B can then be removed. (Fig.17)
- 14-3 Remove the two (2) screws marked [320]. The insulator C can then be removed. (Fig.18)
- 14-4 Remove the two (2) rivets marked [310]. The insulator B can then be removed. (Fig.18)
- 14-5 Remove the seven (7) screws marked [260]. The POWER circuit board can then be removed. (Fig.17)

\* The cushion A is not a part of the POWER circuit board. When replacing the POWER circuit board, be sure to attach the cushion A to the new POWER circuit board. (Fig.19)

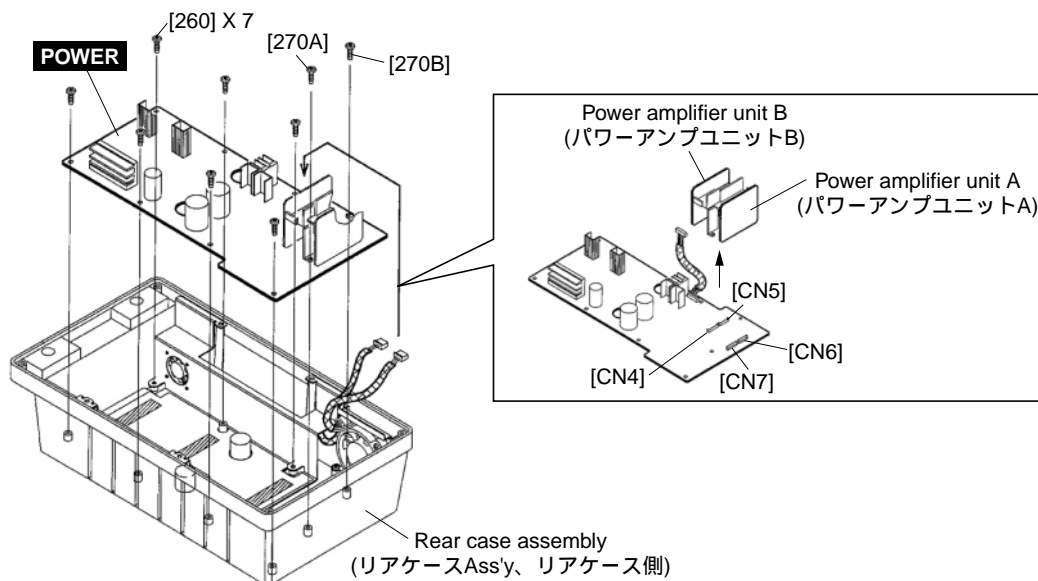
《リアケース側 (ミキサー Ass'y) の分解》

以下の各部品 (14 項 ~ 16 項) を取り外す前に、ミキサー Ass'y (6 項参照)、パネル側 (8 項参照) を外しておきます。

14. パワーアンプユニット、POWER シート (所要時間: 約6分)

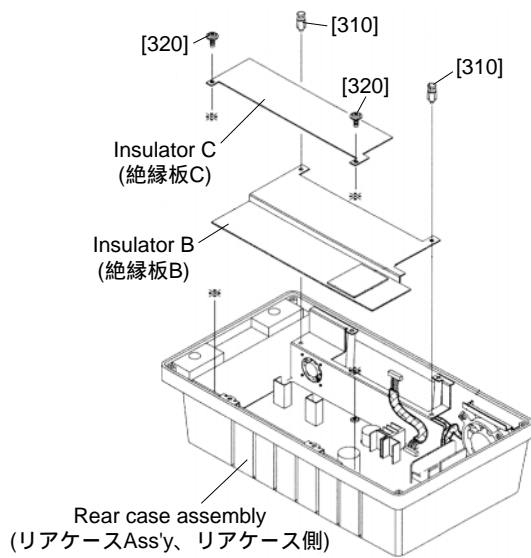
- 14-1 [270A]のネジ1本を外して、パワーアンプユニットAを外します。(図17)
- 14-2 [270B]のネジ1本を外して、パワーアンプユニットBを外します。(図17)
- 14-3 [320]のネジ2本を外して、絶縁板Cを外します。(図18)
- 14-4 [310]のリベット2個を外して、絶縁板Bを外します。(図18)
- 14-5 [260]のネジ7本を外して、POWERシートを外します。(図17)

クッションAは、POWERシートの構成部品ではありません。POWERシートを交換する際には、必ずクッションAを新しいPOWERシートに取り付けてください。(図19)



- [260]: Bind Head Tapping Screw-B (+ バインド B タイト) 3.0X8 CR3 (AAX61980)
- [270]: Bind Head Tapping Screw-B (+ バインド B タイト) 3.0X10 NI-BL (AAX61710)

Fig.17 ( 図 17)



- [310]: Rivet (リベット) P2032B (AAX62000)
- [320]: Pan Head Tapping Screw-B (+ ナベタッピング B タイト) 3.0X8 CR3 (AAX61700)

Fig.18 ( 図 18)

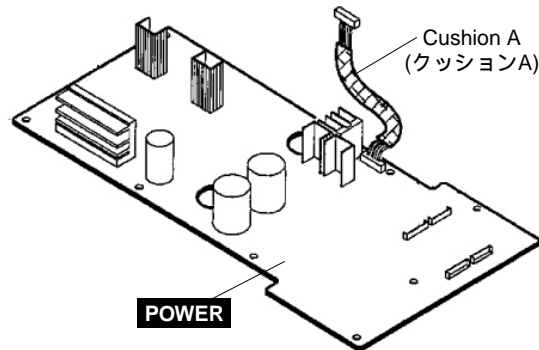


Fig.19 ( 図 19)

**15. Fan (Small) (Time required: About 7 minutes)**

- 15-1 Remove the POWER circuit board.  
(See procedure 14)
- 15-2 Remove the shield case together with the fan (small). (Fig.20)
- 15-3 Remove the four (4) screws marked [110B]. The fan (small) can then be removed from the shield case. (Fig.20)
  - \* **The cushion B is not a part of the fan (small). (Fig.20)**
  - \* **Connect the connector of the fan (small) to the CN3 of the POWER circuit board.**

**16. Fan (Large) (Time required: About 7 minutes)**

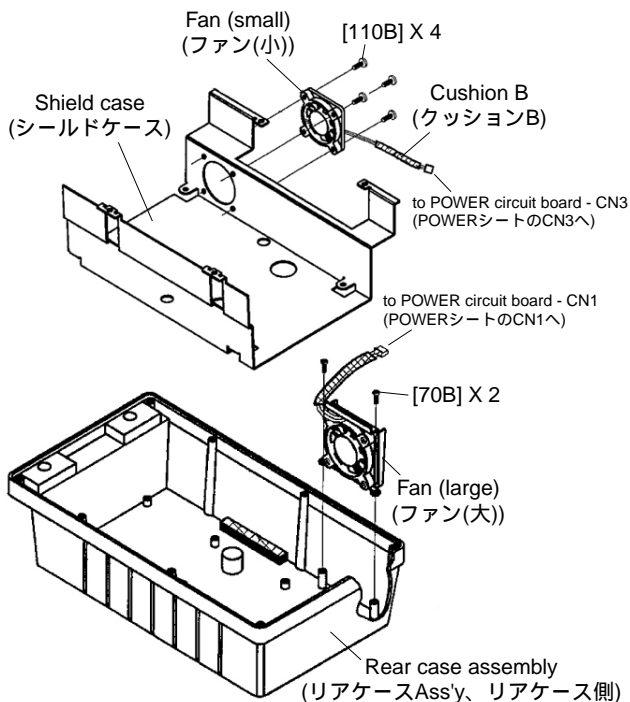
- 16-1 Remove the power amplifier units A and B.  
(See procedures 14-1 and 14-2)
- 16-2 Remove the two (2) screws marked [70B]. The fan (large) can then be removed together with the fan bracket. (Fig.20)
- 16-3 Remove the four (4) screws marked [60]. The fan (large) can then be removed from the fan bracket. (Fig.21)
  - \* **The cushion C is not a part of the fan (large). (Fig.21)**
  - \* **Connect the connector of the fan (large) to the CN1 of the POWER circuit board.**

**15. ファン (小) (所要時間 : 約 7 分)**

- 15-1 POWER シートを外します。(14 項参照)
- 15-2 ファン (小) と共にシールドケースを外します。(図 20)
- 15-3 [110B]のネジ 4 本を外して、シールドケースからファン (小) を外します。(図 20)  
クッション B は、ファン (小) の構成部品ではありません。(図 20)  
ファン (小) のコネクタは POWER シートの CN3 へ接続します。

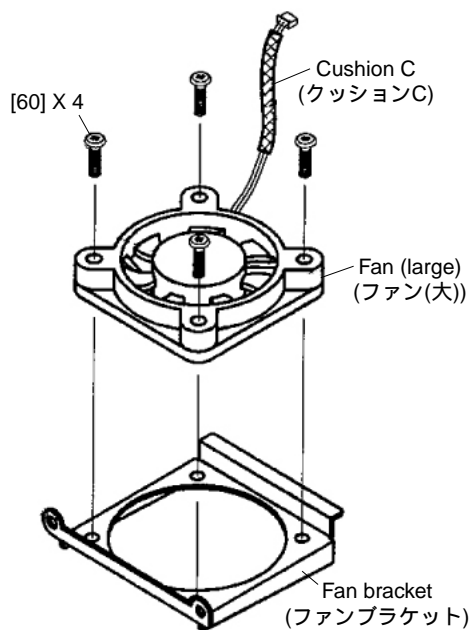
**16. ファン (大) (所要時間 : 約 7 分)**

- 16-1 パワーアンプユニット A、B を外します。(14-1、14-2 項参照)
- 16-2 [70B]のネジ 2 本を外して、ファンブラケットと共にファン (大) を外します。(図 20)
- 16-3 [60]のネジ 4 本を外して、ファンブラケットからファン (大) を外します。(図 21)  
クッション C は、ファン (大) の構成部品ではありません。(図 21)  
ファン (大) のコネクタは POWER シートの CN1 へ接続します。



- [70B]: Bind Head Tapping Screw-B (+ バインド B タイト)  
3.0X8 CR3 (AAX61980)
- [110B]: Pan Head Tapping Screw-B (+ ナベタッピング B タイト)  
3.0X12 CR3 (AAX62050)

Fig.20 (図 20)



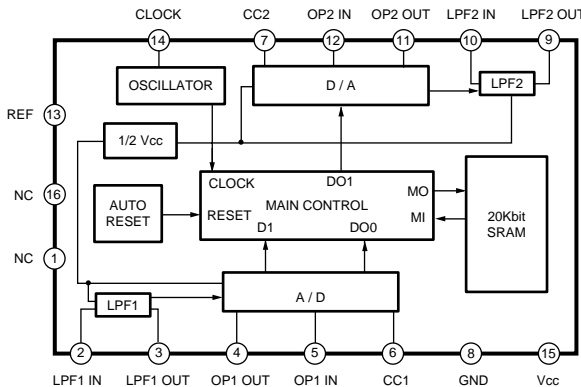
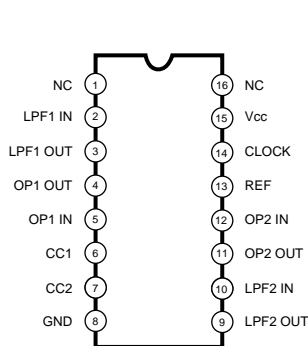
- [60]: Bind Head Tapping Screw-B (+ バインド B タイト)  
4.0X16 CR3 (AAX62030)

Fig.21 (図 21)

# IC BLOCK DIAGRAM (ICブロック図)

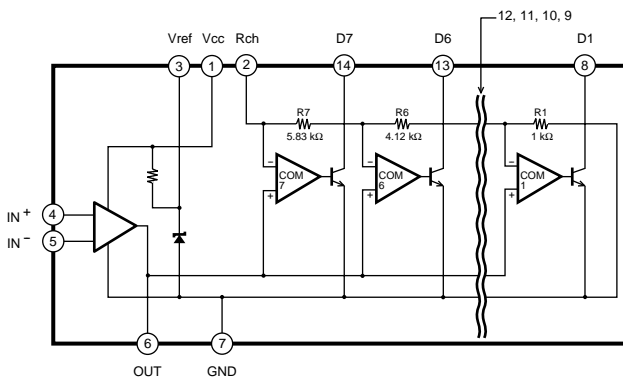
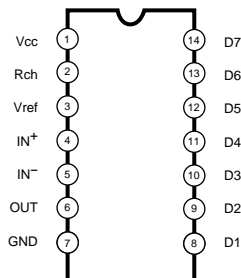
## ● M65850FP (AAX62760)

Digital Echo  
FILTER: IC602



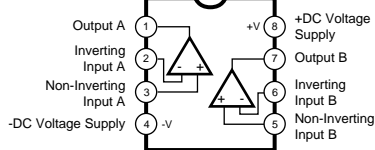
## ● LB1407-E LF (AAX68710)

AC/DC Voltage Level Meter  
VR: IC604



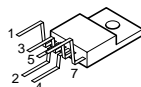
## ● NJM2068M-D TE1 (AAX62750)

Dual Operational Amplifier  
FILTER: IC103, 107, 204, 603  
INPUT: IC101, 201, 501, 701  
VR: IC102, 105, 106, 202, 203, 302, 402, 502, 503, 702, 703

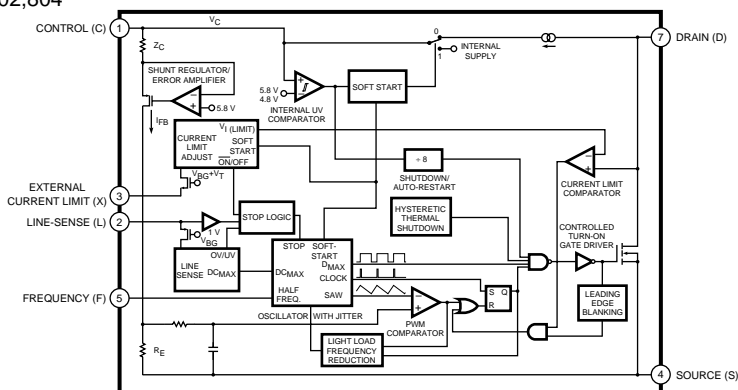


## ● TOP249Y (AAX63650)

Switching Controller  
POWER: IC802,804



- 1: CONTROL
- 2: LINE-SENSE
- 3: EXTERNAL CURRENT LIMIT
- 4: SOURCE
- 5: FREQUENCY
- 7: DRAIN



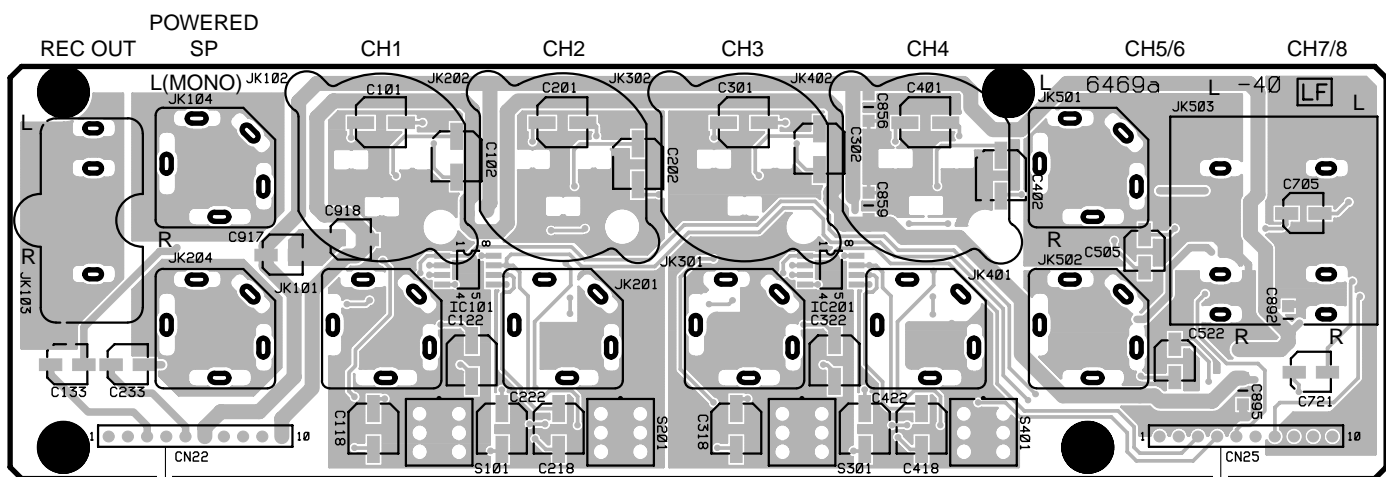
## ■ CIRCUIT BOARDS (シート基板図)

FILTER Circuit Board (6469-40) .....	22
INPUT Circuit Board (6469-40) .....	16
JACK1A Circuit Board (8143-40) .....	22
JACK1B Circuit Board (8143-40) .....	22
JACK2 Circuit Board (6469-40) .....	22
NETWORK1 Circuit Board (8143-40) .....	17
NETWORK2 Circuit Board (8143-40) .....	17
POWER Circuit Board (8143-40) .....	18/19
VR Circuit Board (6469-40) .....	20/21

Note: See parts list for details of circuit board component parts.

注: シートの部品詳細はパーツリストをご参照ください。

### ● INPUT Circuit Board



to VR-CN21

■ MIC  
■ LINE

■ MIC  
■ LINE

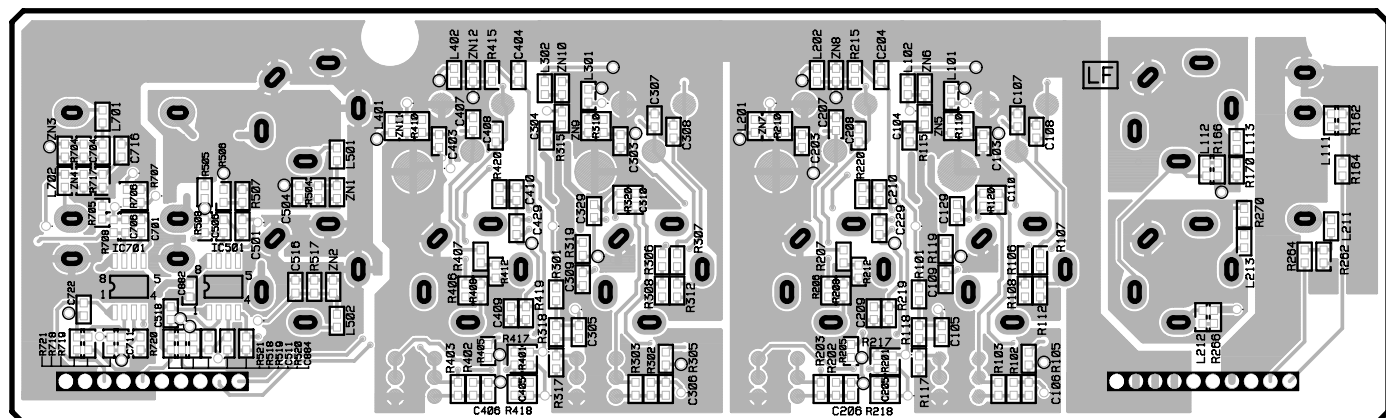
■ MIC  
■ LINE

■ MIC  
■ LINE

to VR-CN26

Component side (部品側)

407747

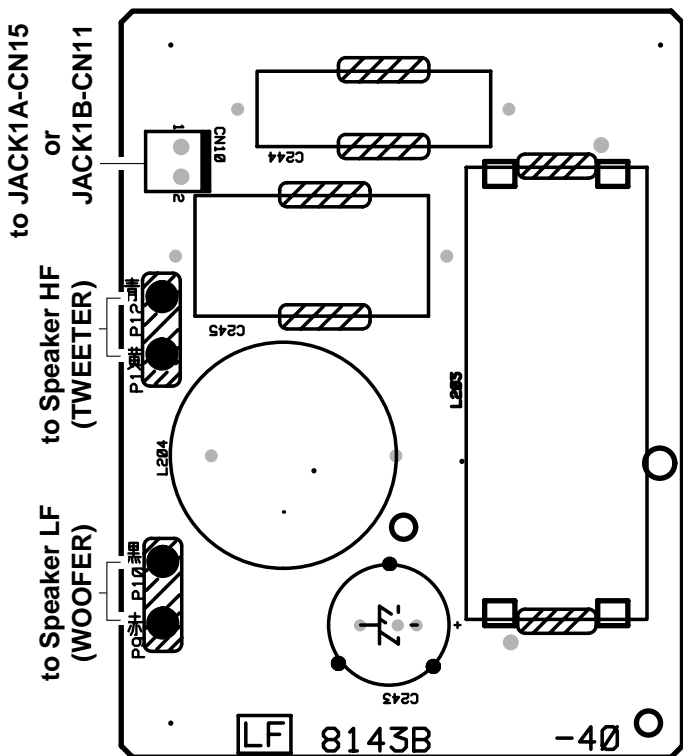


Pattern side (パターン側)

407744

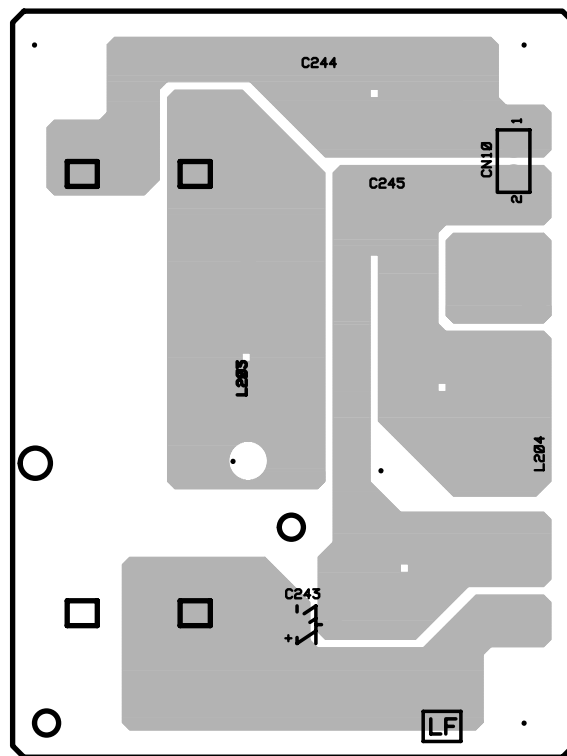


● NETWORK1 Circuit Board



Component side (部品側)

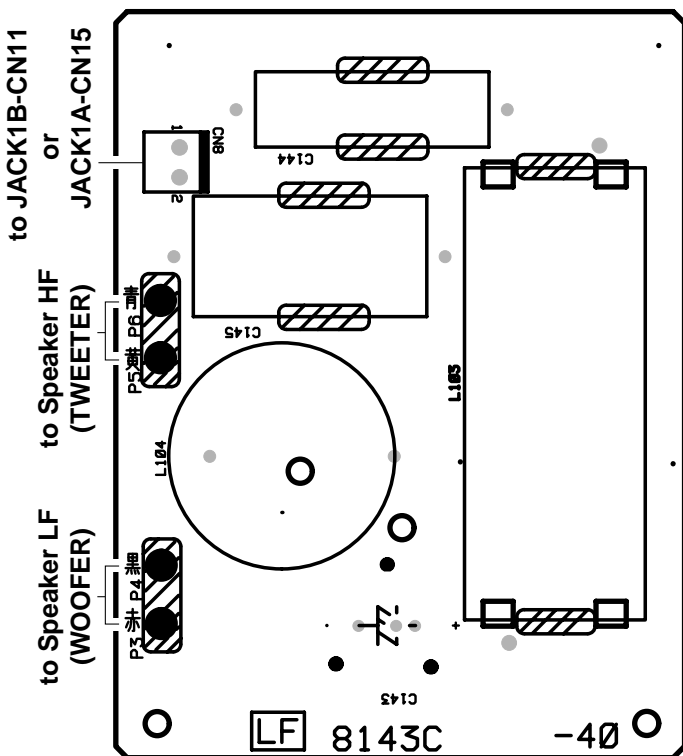
407751, 407752



Pattern side (パターン側)

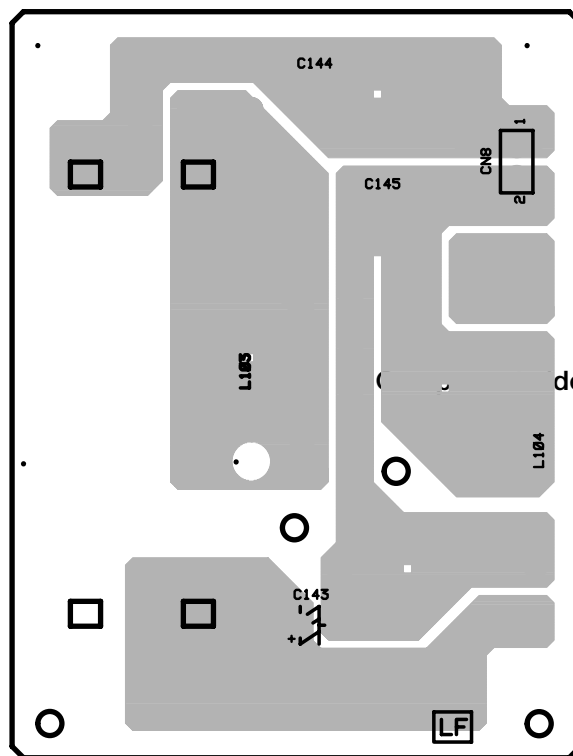
407750

● NETWORK2 Circuit Board



Component side (部品側)

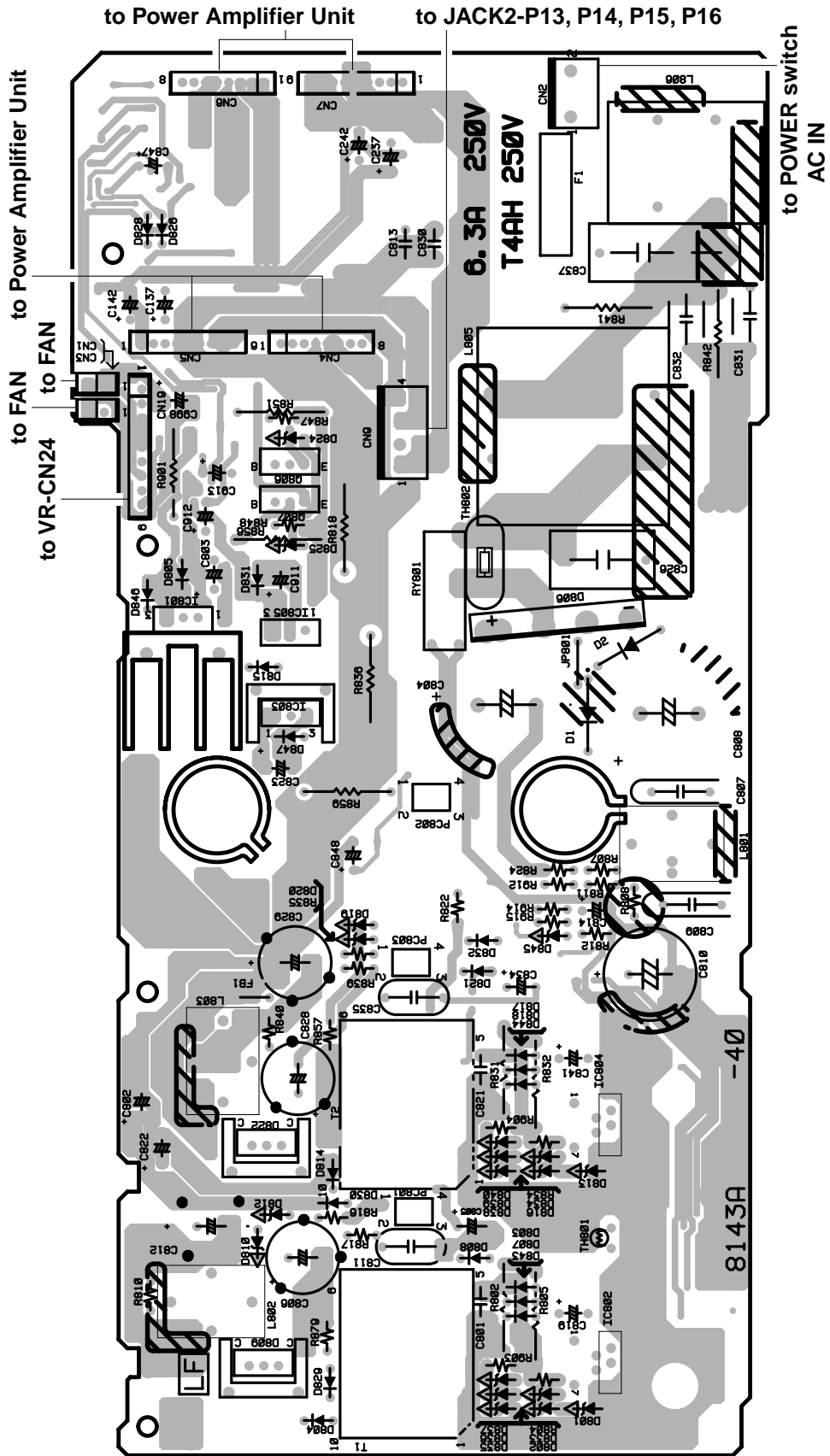
407751, 407752



Pattern side (パターン側)

407750

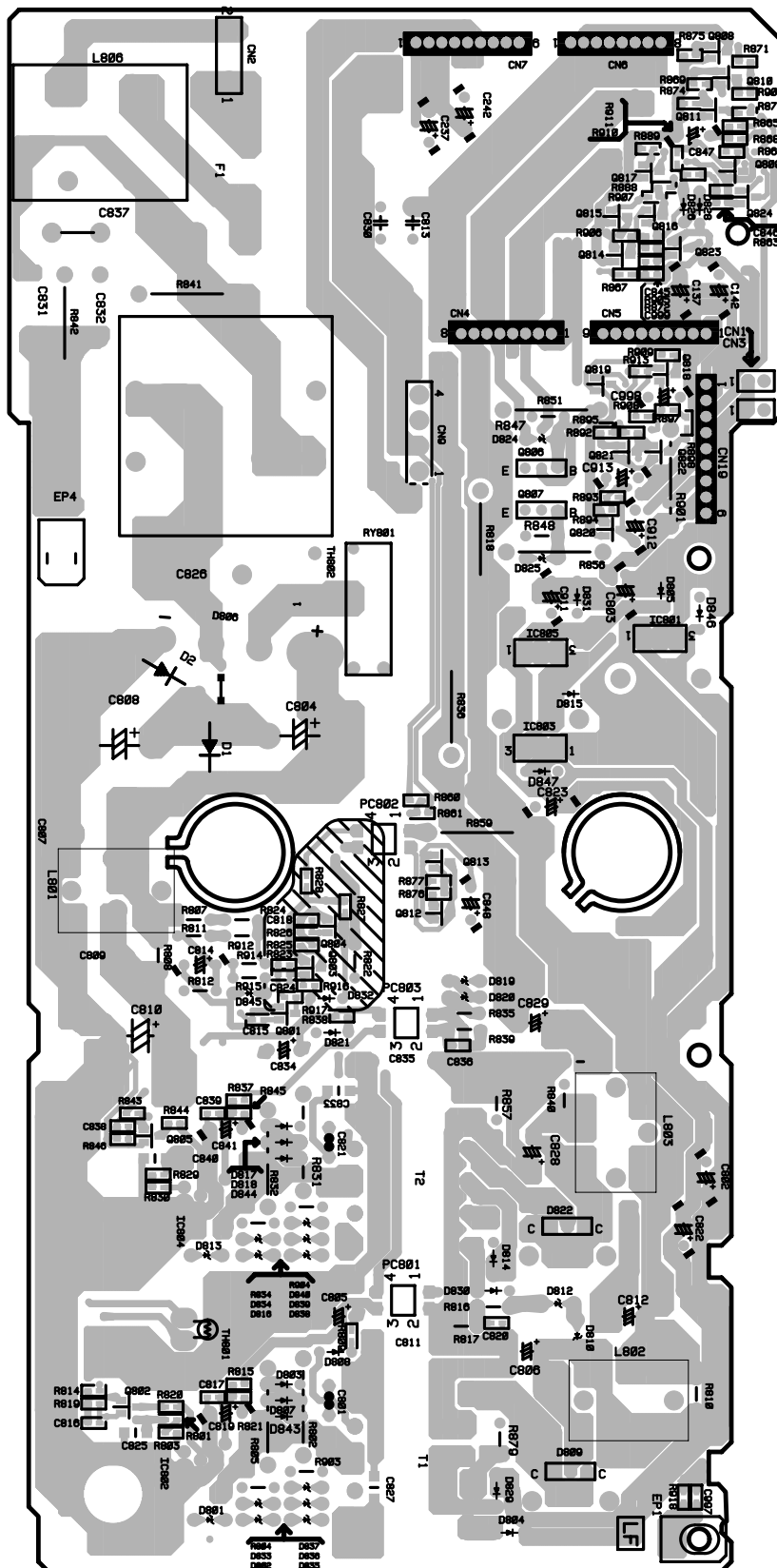
● POWER Circuit Board



Component side (部品側)

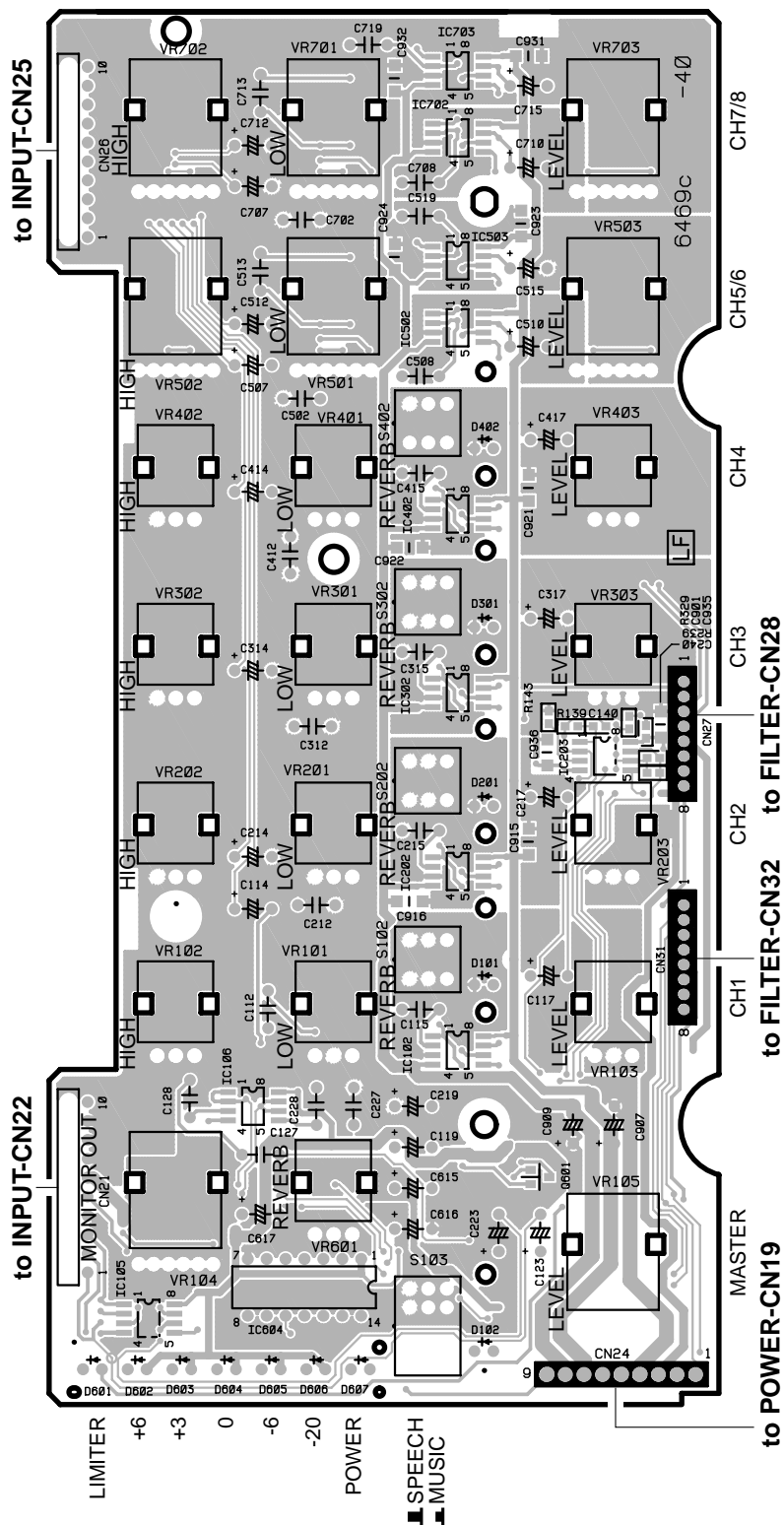
407751, 407752

● POWER Circuit Board



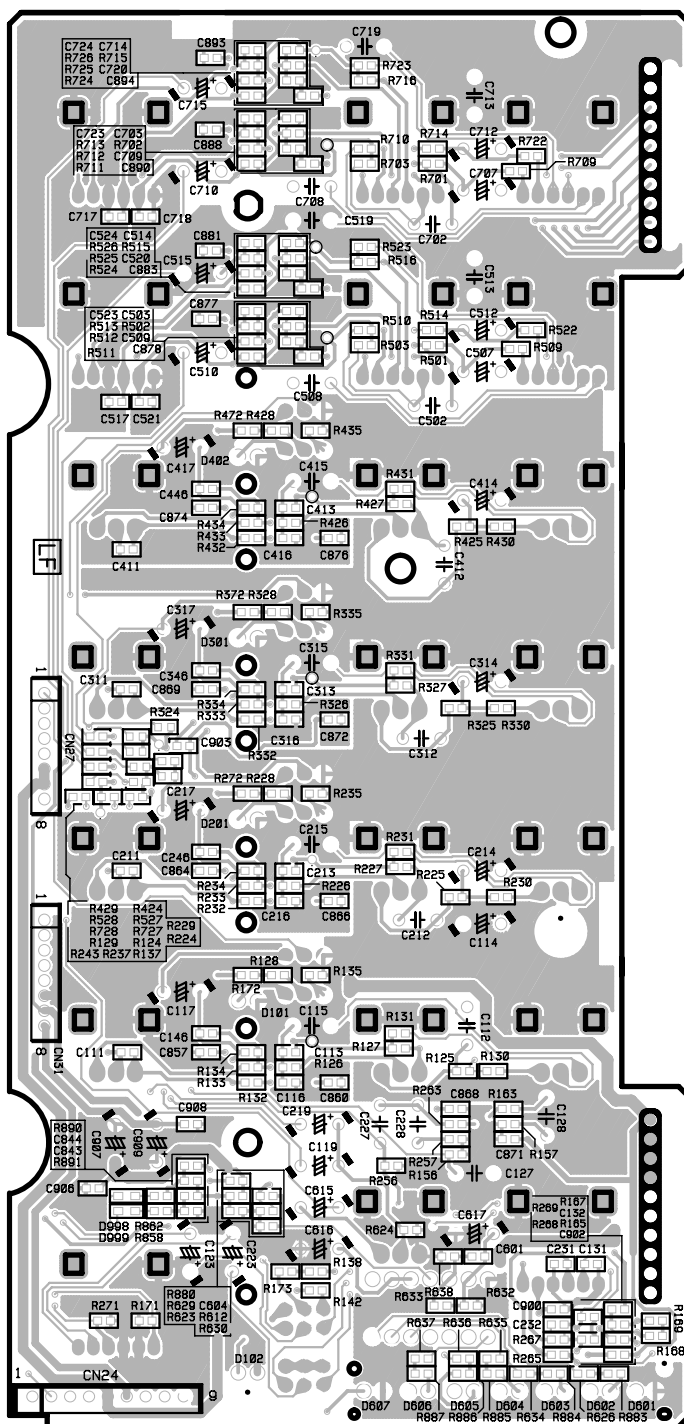
Pattern side (パターン側)

● VR Circuit Board



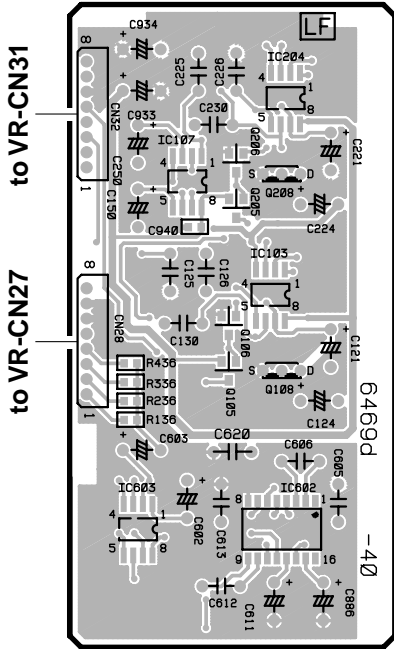
Component side (部品側)

● VR Circuit Board



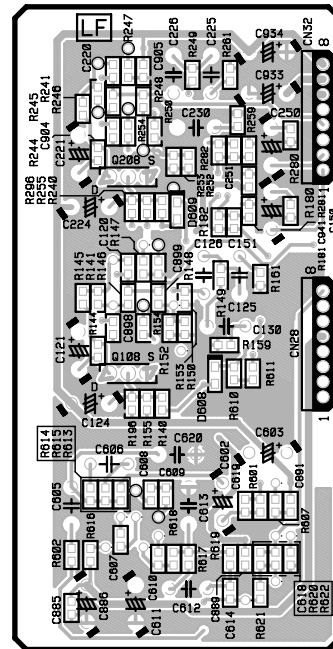
Pattern side (パターン側)

● FILTER Circuit Board



Component side (部品側)

407747

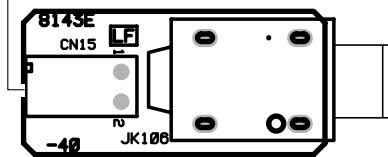


Pattern side (パターン側)

407744

● JACK1A Circuit Board

to NETWORK1-CN10  
or  
NETWORK2-CN8

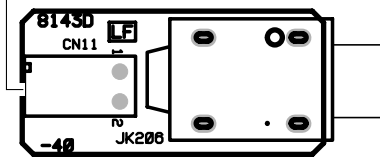


Component side (部品側)

407751, 407752

● JACK1B Circuit Board

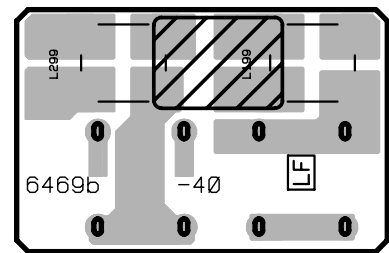
to NETWORK2-CN8  
or  
NETWORK1-CN10



Component side (部品側)

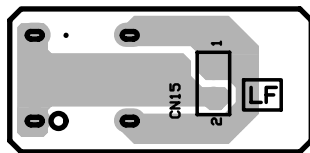
407751, 407752

● JACK2 Circuit Board



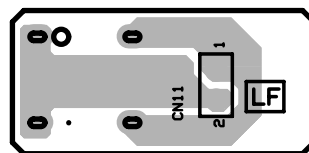
Component side (部品側)

407747



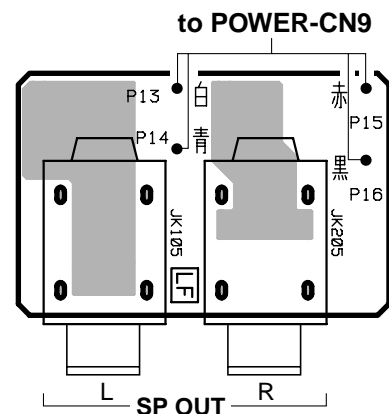
Pattern side (パターン側)

407750



Pattern side (パターン側)

407750



Pattern side (パターン側)

407744

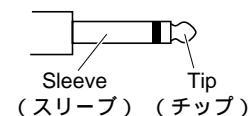
## ■ INSPECTIONS (検査)

### 1. Test Conditions (試験条件)

Measuring Voitage (測定電圧):	AC 100 V 50/60 Hz (J) AC 120 V 60 Hz (U, C, V) AC 240 V 50 Hz (A) AC 230 V 50 Hz (B, H, W) AC 220 V 60 Hz (K) AC 220 V 50 Hz (O)
Load (負荷):	6 Ω
Input (入力):	1 KHz
MASTER LEVEL VR (マスターレベル VR):	MAX.
Tone-control VR (トーンコントロール VR):	HIGH, LOW = All channel Center.
REVERB SW (リバーブ SW):	All channel OFF.
REVERB level (リバーブレベル VR):	MIN.
SPEECH/MUSIC SW (スピーチ/ミュージック SW):	MUSIC
USE MEASUREMENT FILTER:	DIN-Audio

#### NOTE:

- ① Use a low pass filter (20 KHz) to measure noise at the SP jack (SP OUT).  
(SP 端子 (SP OUT) でノイズを測定する場合は、ローパスフィルター (20 KHz) を使用してください。)
- ② The sleeve of the SP OUT Lch is the hot terminal. So, pay attention not to let it contact GND.  
(SP OUT Lch は、スリーブ側がホット端子となりますので、アースに接触しない様注意してください。)



### 2. Electric Characteristic (電気特性)

No.	ITEM (項目)	INPUT CONDITIONS (入力条件)	OUTPUT CONDITIONS (出力条件)	NOMINAL (標準値)	LIMIT (限界値)
1	OUTPUT POWER (定格出力)	INPUT1-SW=LINE INPUT1-LEVEL=MAX.	SP OUT: 1 %THD OUTPUT (1 %歪 出力)	L, R 112 W	>100 W
2	T. H. D. (歪率)	INPUT1-SW=LINE INPUT1-LEVEL=MAX.	SP OUT: 50 W OUTPUT (50 W 出力)	L, R 0.5 %	<1 %
		INPUT1-SW=LINE INPUT1-LEVEL=MAX.	MONITOR OUT: +14 dBu OUTPUT (Load: 10 kΩ)	L, R 0.1 %	<0.2 %

No.	ITEM (項目)	INPUT CONDITIONS (入力条件)		OUTPUT CONDITIONS (出力条件)		NOMINAL (標準値)	LIMIT (限界値)		
3	INPUT SENSITIVITY (入力感度)	INPUT 1, 2, 3, 4 (Each) INPUT=XLR INPUT-SW=LINE INPUT-LEVEL=MAX.		SP OUT: REF: 100 W OUTPUT	L, R	-23 dBu	-23 dBu±3 dB		
				MONITOR OUT: +4 dBu OUTPUT (Load: 10 kΩ)	L	-31 dBu	-31 dBu±3 dB		
				REC OUT: -8 dBu OUTPUT (Load: 10 kΩ)	L, R	-31 dBu	-31 dBu±3 dB		
		INPUT 1, 2, 3, 4 (Each) INPUT=XLR INPUT-SW=MIC INPUT-LEVEL=MAX.		MONITOR OUT: +4 dBu OUTPUT (Load: 10 kΩ)	L	-61 dBu	-61 dBu±3 dB		
		INPUT 1, 2, 3, 4 (Each) INPUT=PHONE INPUT-SW=LINE INPUT-LEVEL=MAX.			L	-21 dBu	-21 dBu±3 dB		
		INPUT 5 and 6, 7 and 8 (Each pair) INPUT=PHONE, RCA INPUT-LEVEL=MAX.			L	-21 dBu	-21 dBu±3 dB		
4	FREQUENCY RESPONSE (周波数特性)	INPUT: 1, 2, 3, 4 (Each) INPUT=XLR INPUT-SW=LINE INPUT-LEVEL=MAX.	60 Hz	SP OUT: REF: 1 W OUTPUT (基準: 1 W 出力)	L, R	+4.0 dB	+4.0±2 dB		
			10 KHz			0 dB	0±2 dB		
		INPUT: 5 and 6, 7 and 8 (Each pair) INPUT=PHONE, RCA INPUT-LEVEL=MAX.	60 Hz	SP OUT: REF: 1 W OUTPUT (基準: 1 W 出力)	L, R	+4.0 dB	+4.0±2 dB		
			10 KHz			0 dB	0±2 dB		
		5	TONE-CONTROL CHARACTERISTIC (トーンコントロール特性)	INPUT 1, 2, 3, 4, 5, 6, 7, 8 (Each) LOW=MIN. REF: 30 Hz, LOW VR CENTER		REF: 300 mV RECOU (基準: 300 mV RECOU 出力) (Load: 10 kΩ)		-15.0 dB	-15.0±2 dB
				INPUT 1, 2, 3, 4, 5, 6, 7, 8 (Each) LOW=MAX. REF: 30 Hz, LOW VR CENTER				+15.0 dB	+15.0±2 dB
INPUT 1, 2, 3, 4, 5, 6, 7, 8 (Each) HIGH=MIN. REF: 30 KHz, HIGH VR CENTER				-15.0 dB	-15.0±2 dB				
INPUT 1, 2, 3, 4, 5, 6, 7, 8 (Each) HIGH=MAX. REF: 30 KHz, HIGH VR CENTER				+15.0 dB	+15.0±2 dB				
INPUT1 HIGH, LOW VR CENTER SPEECH/MUSIC=SPEECH REF: 80 Hz, MUSIC MODE				-3.0 dB	-3.0±2 dB				



No.	ITEM (項目)	INPUT CONDITIONS (入力条件)	OUTPUT CONDITIONS (出力条件)	NOMINAL (標準値)	LIMIT (限界値)	
6	CROSSTALK (クロストーク)	INPUT 1, 2, 3, 4, 5, 6, 7, 8 to Adjacent INPUT (隣接 CH 間)	SP OUT: REF: 100 W OUTPUT (基準: 100 W 出力)	75 dB	>70 dB	
7	SIGNAL TO NOISE RATIO (信号雑音比)	INPUT SHORT (入力短絡)	SP OUT:	SP OUT	75dB	>70 dB
			REF: 100 W OUTPUT (基準: 100 W 出力)	MONITOR OUT	95dB	>90 dB
8	RESIDUAL NOISE (残留雑音)	MASTER-LEVEL=MIN. SW-MIC INPUT=XLR INPUT IMPEDANCE=150 Ω	SP OUT		-54 dBu	<-50 dBu
			SP OUT (MEASURE WITH 20 kHz LPF)		-70 dBu	<-65 dBu
9	LEVEL METER INDICATION (レベルメーター表示)	INPUT1	SP OUT: REF: LEVEL METER="0" (LEVEL METER "0" が表示)	21 dBu	21 dBu±2 dB	
10	POWER CONSUMPTION (消費電力)		SP OUT: REF: 12.5 W OUTPUT	69 W	<75 W	

(NOTE): 0 dBu=0.775 V

### 3. Over Load Protection (過負荷保護回路動作)

The product shall be set to 12.5 W output on SP OUT.

When + and - of SP OUT short-circuit, the product should stop the output and should blink POWER LED.

(SP OUTに12.5 Wを出力させ、SP OUTの+と-をショートさせた時、SP OUTの出力が無くなり、POWER表示LEDが点滅することを確認します。)

### 4. Limiter Indication (リミッタ - 表示の確認)

The product shall be set to 31 dBu output on SP OUT.

Then, LIMITER LED(RED) should light on and all LEDs of LEVEL meter should light on.

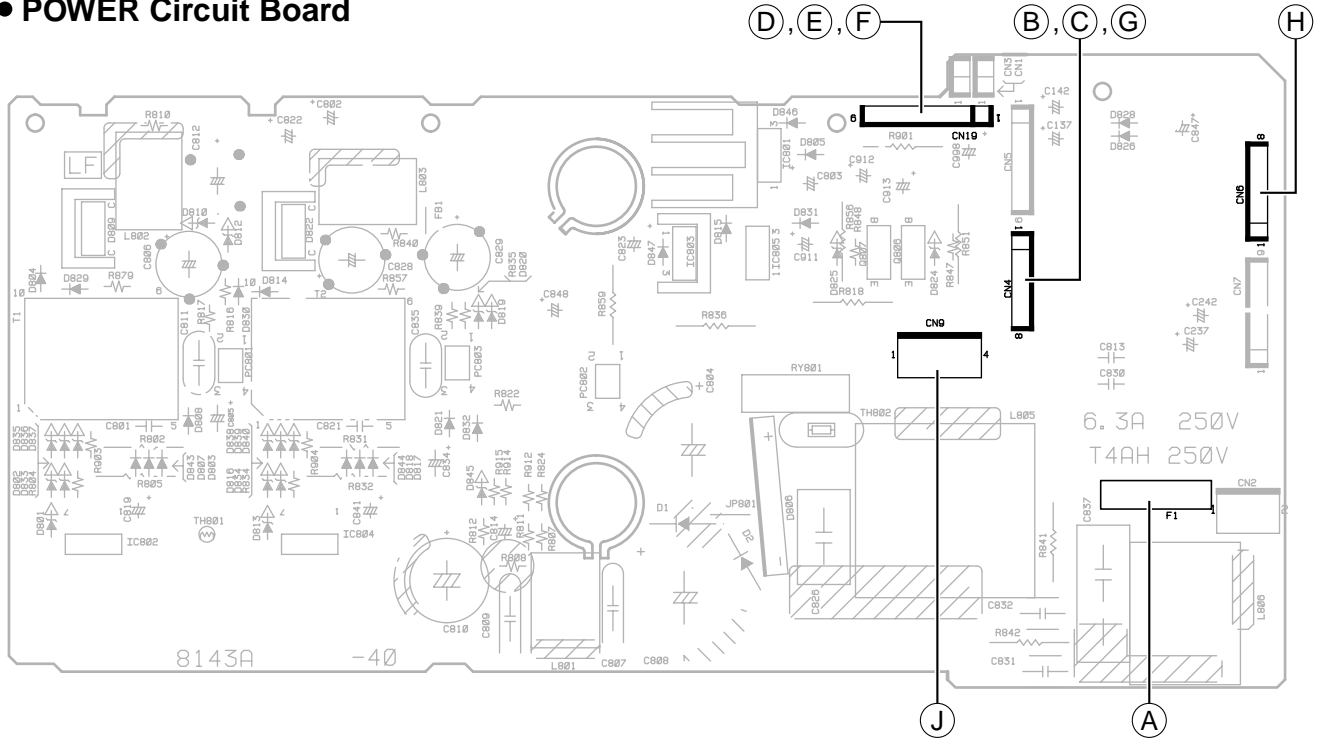
(SP OUTに31 dBuを出力させた時、LIMITER表示LED(赤色)が点灯し(一瞬でも可)、LEVEL表示LEDが全て点灯することを確認します。)

# TRUBLE SHOOTING (トラブルシューティング)

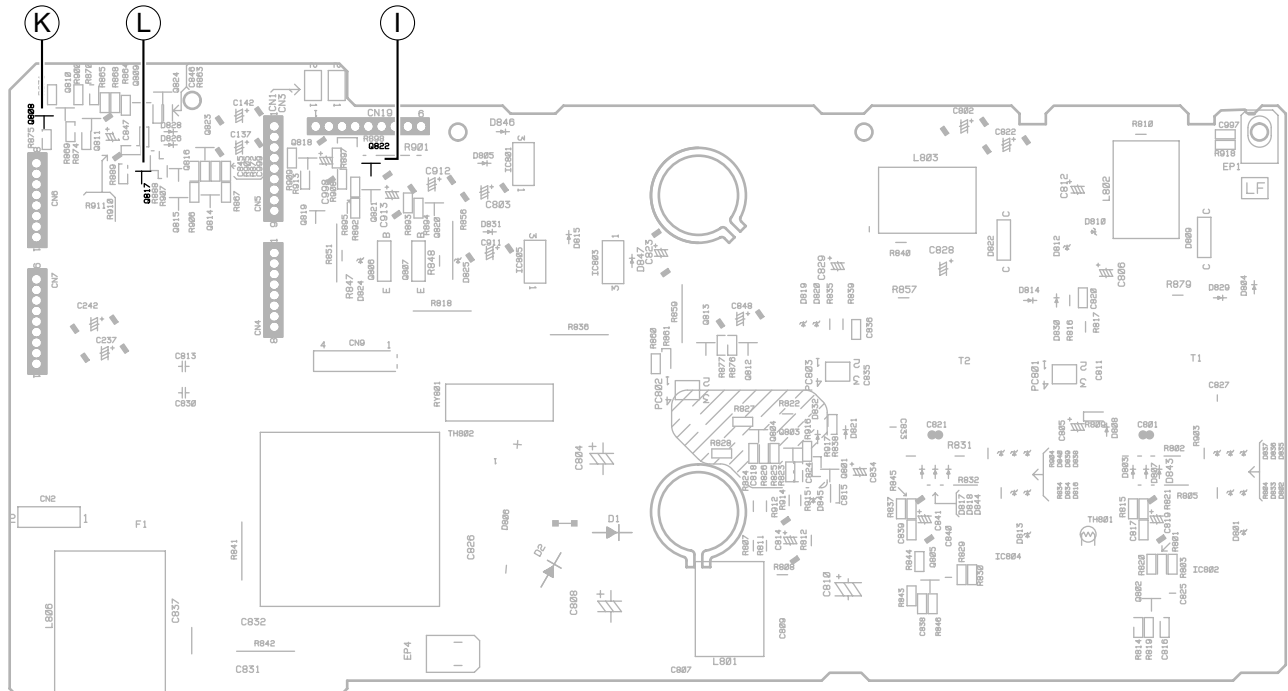
\* Points marked by “(A)” to “(L)” in the figure of circuit board are the points to be checked as indicated by the same marks in the flowchart on the next page or after.

基板図の(A) ~ (L)は、次ページからのフローチャートにおけるチェックポイントを示しています。

## ● POWER Circuit Board

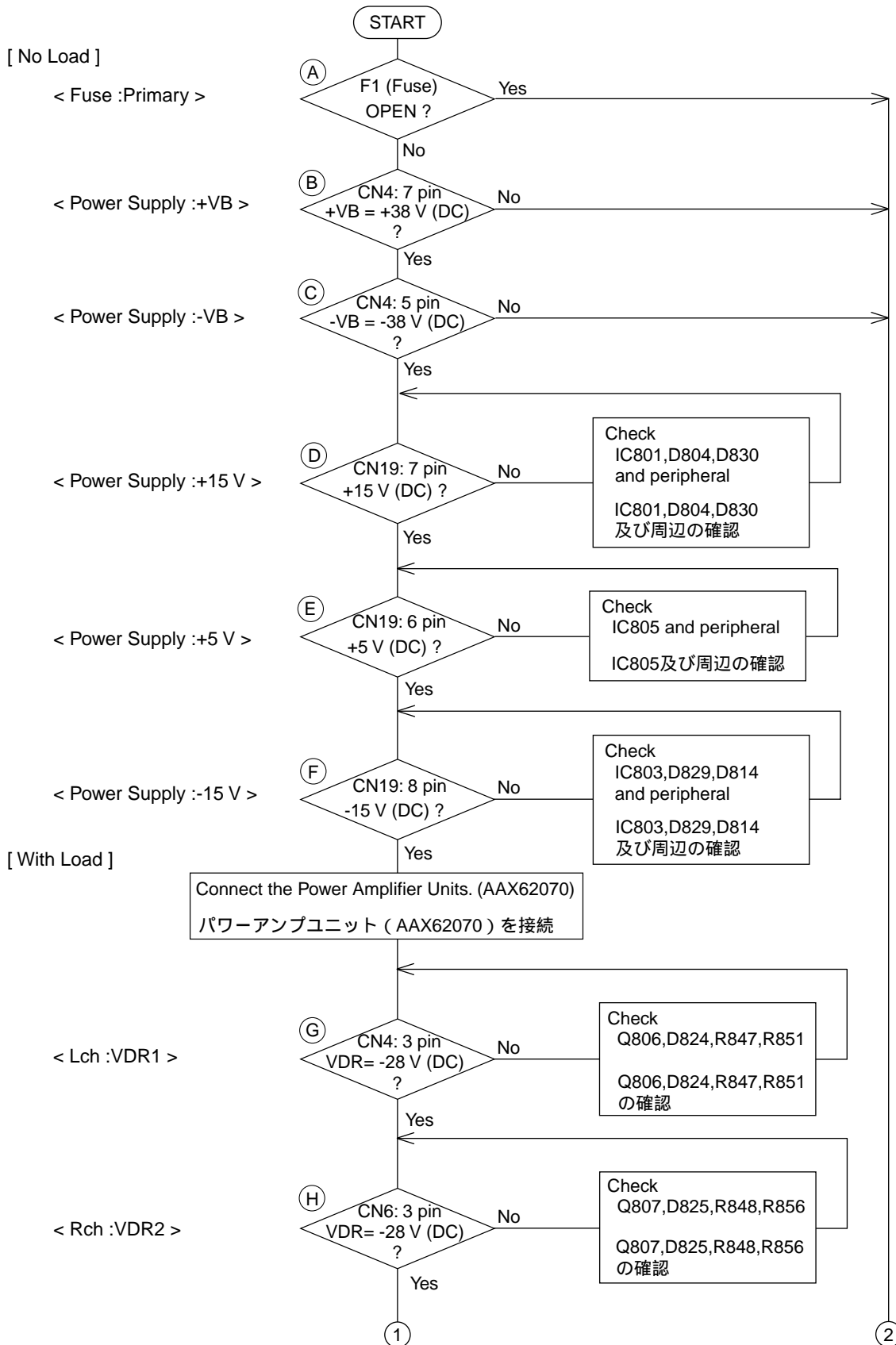


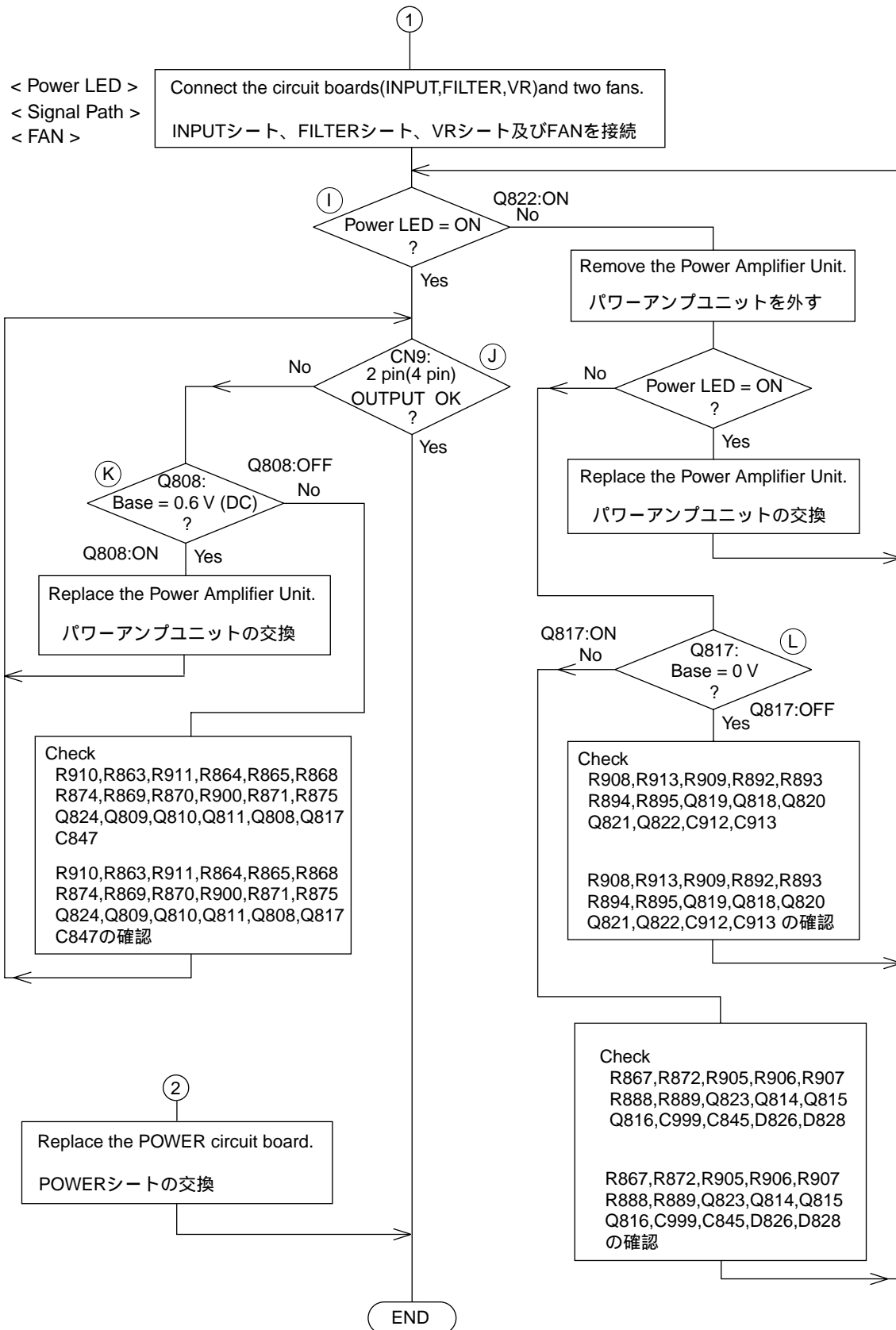
Component side (部品側)



Pattern side (パターン側)

• Trouble Shooting (POWER circuit board)





# PORTABLE PA SYSTEM STAGEPAS 300 PARTS LIST


## ■ CONTENTS(目次)


OVERALL ASSEMBLY(総組立).....	2
MIXER ASSEMBLY(ミキサーAss'y).....	5
REAR CASE ASSEMBLY(リアケースAss'y).....	7
ELECTRICAL PARTS(電気部品).....	8-20

## Notes : DESTINATION ABBREVIATIONS

A : Australian model	M : South African model
B : British model	O : Chinese model
C : Canadian model	Q : South-east Asia model
D : German model	T : Taiwan model
E : European model	U : U.S.A. model
F : French model	V : General export model (110V)
H : North European model	W : General export model (220V)
I : Indonesian model	N,X : General export model
J : Japanese model	Y : Export model
K : Korean model	

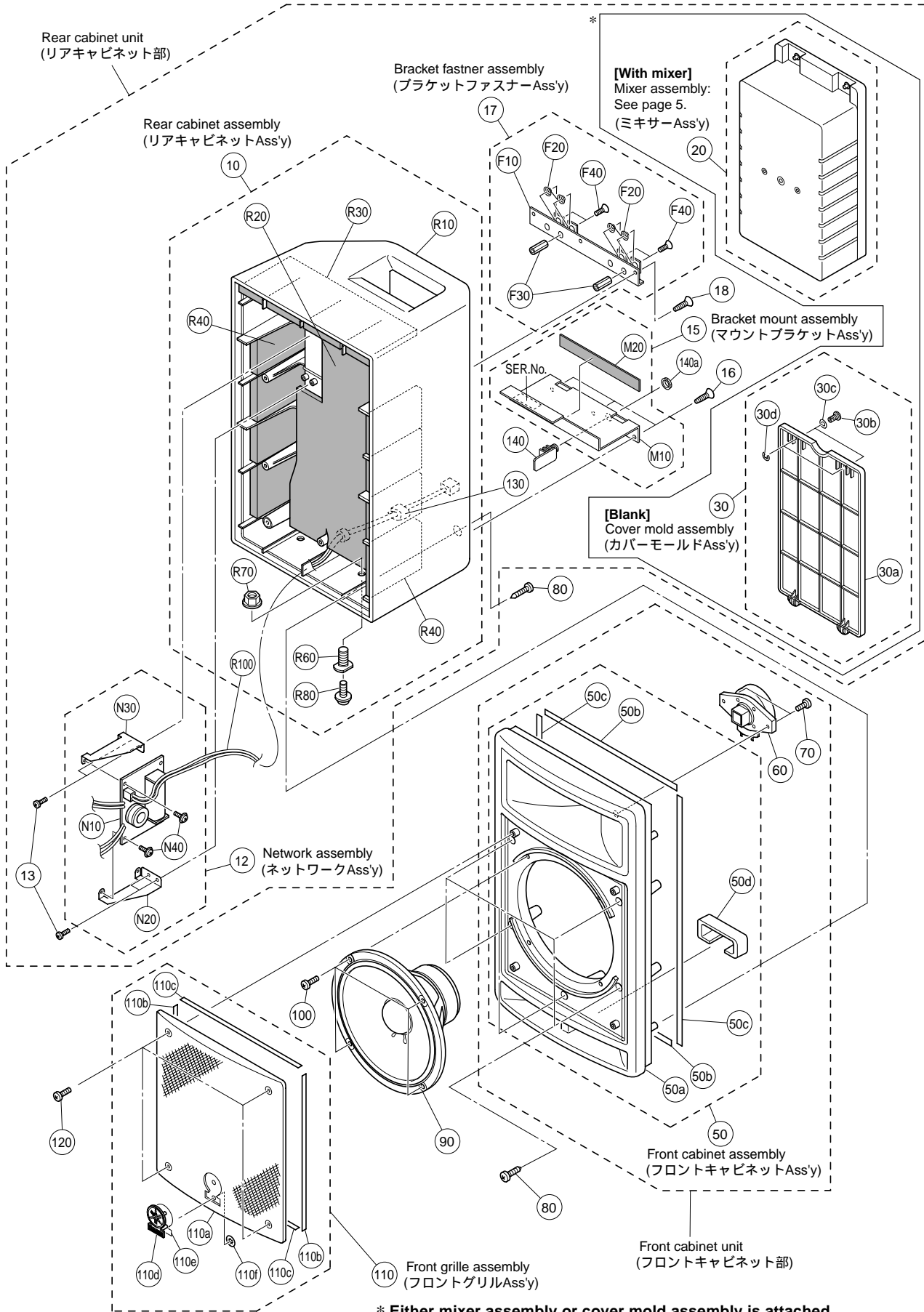
## ■ WARNING

Components having special characteristics are marked  and must be replaced with parts having specification equal to those originally installed.

 印の部品は、安全を維持するために重要な部品です。交換する場合は、安全のために必ず指定の部品をご使用ください。

- The numbers "QTY" show quantities for each unit.
- The parts with "--" in "PART NO." are not available as spare parts.
- This mark "}" in the REMARKS column means these parts are interchangeable.
- The second letter of the shaded (■) part number is O, not zero.
- The second letter of the shaded (■) part number is I, not one.
- 部品価格ランクは、変更になることがあります。
- QTY欄に記されている数字は、各ユニット当たりの使用個数です。
- PART NO.が"--"の部品は、サービス用部品として準備されておりません。
- REMARKS欄の「}」マークの部品は、併用部品です。
- 網掛けの付いたPART NO. の2番目の文字は「ゼロ」ではなく、「オー」です。
- 網掛けの付いたPART NO. の2番目の文字は「イチ」ではなく、「アイ」です。

# OVERALL ASSEMBLY (総組立)



\* Either mixer assembly or cover mold assembly is attached.  
 \*ミキサーAss'yまたはカバーモールドAss'yのどちらかが取り付けられています。

REF NO.	PART NO.	DESCRIPTION		部 品 名	REMARKS	QTY	RANK
		OVERALL ASSEMBLY		総 組 立	STAGEPAS 300		
	--	Overall Assembly		総 組 立	J		
	--	Overall Assembly		総 組 立	U,C		
	--	Overall Assembly		総 組 立	V		
	--	Overall Assembly		総 組 立	A		
	--	Overall Assembly		総 組 立	B		
	--	Overall Assembly		総 組 立	H		
	--	Overall Assembly		総 組 立	W		
	--	Overall Assembly		総 組 立	K		
	--	Overall Assembly		総 組 立	O		
*	10	AAx61590		リアキャビネットA s s y		2	
	12	--		ネットワークA s s ' y		2	
*	13	AAx61710	3.0X10 NI-BL	Bind Head Tapping Screw-B + バインド B タイ		8	
*	15	AAx68640		Bracket Mount Assembly	J,A,H,B,K,O,V,W	2	
*	15	AAx68650		Bracket Mount Assembly	U,C	2	
*	16	AAx61680	4.0X10 NI-BL	Bind Head Tapping Screw-B + バインド B タイ		6	
	17	AAx68660		Bracket Fastner Assembly		2	
*	18	AAx61680	4.0X10 NI-BL	Bind Head Tapping Screw-B + バインド B タイ		6	
	20	--		Mixer Assembly	J,U,C,V		
	20	--		Mixer Assembly	A		
	20	--		Mixer Assembly	H,B,W		
	20	--		Mixer Assembly	K,O		
*	30	AAx61600		Cover Mold Assembly			
	30a	--		Cover Mold			
	30b	--		Fastner Head		2	
	30c	--	D9.5	Flat Washer		2	
	30d	--	E4	Ret-Ring		2	
*	50	AAx61610		Front Cabinet Assembly		2	
	50a	--		Front Cabinet		2	
	50b	--	7.0X265	Cushion		4	
	50c	--	7.0X440	Cushion		4	
	50d	--	FELT DUCT	Damping Material		2	
*	60	AAx61620		Speaker HF	TWEETER	2	
*	70	AAx61630	4.0X20 NI-BL	Bind Head Tapping Screw-B + バインド B タイ		4	
*	80	AAx61640	5.0X35 NI-BL	Bind Head Tapping Screw-A + バインド A タイ		18	
*	90	AAx61650		Speaker LF	WOOFER	2	
*	100	AAx61660	4.0X18 NI-BL	Bind Head Tapping Screw-B + バインド B タイ		8	
*	110	AAx61670		Front Grille Assembly		2	
	110a	--		Front Grille		2	
	110b	--	6.0X245	Cushion A Grille		4	
	110c	--	6.0X225	Cushion B Grille		4	
	110d	--		Logo Badge	YAMAHA	2	
	110e	--		Cushion Badge		2	
	110f	--		Bush Nut		4	
*	120	AAx61680	4.0X10 NI-BL	Bind Head Tapping Screw-B + バインド B タイ		8	
	130	AAx31970	10X20X0.9	Cushion Bush		2	
*	140	AAx63200	JACK1A	Circuit Board	} WITH NUT		
*	140	AAx69280	JACK1B	Circuit Board	} WITH NUT		
	140a	--	M15.0 BL	Hexagonal Nut		2	
*		AAx61590		リアキャビネットA s s y			
	R10	--		リアキャビネット			
	R20	--	FELT REAR	Damping Material A			
	R30	--	FELT TOP	Damping Material B			
	R40	--	FELT SIDE	Damping Material C		8	
*	R60	AAx61720		Misc Bolt		2	
*	R70	AAx61730	M12 CR3	Flange Nut		2	
*	R80	AAx61740	8.0X25 NI-BL	Pan Head Screw		2	
	R100	--	SP VH-VH 2P-500	Connector Assembly			
*		--		ネットワークA s s ' y			
*	N10	AAx61690	NETWORK1	Circuit Board	NET WORKシート1		
*	N10	AAx68680	NETWORK2	Circuit Board	NET WORKシート2		
	N20	--		Holder C Network	ネットワーク固定金具C		
	N30	--		Holder D Network	ネットワーク固定金具D		
*	N40	AAx61700	3.0X8 CR3	Pan Head Tapping Screw-B	+ ナベタッピングBタイ	4	
*		AAx68640		Bracket Mount Assembly	J,A,H,B,K,O,V,W		
*		AAx68650		Bracket Mount Assembly	U,C		
	M10	--		Mount Bracket	J,A,H,B,K,O,V,W		

\*: New Parts

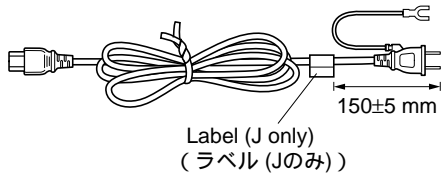
RANK: Japan only

REF NO.	PART NO.	DESCRIPTION		部 品 名	REMARKS	QTY	RANK
M10	--	Mount Bracket		マウントブラケット	U,C		
M20	--	Cushion	12X150X2	クッション			
* F10	AAX68660	Bracket Fastner Assembly Fastner Bracket		ブラケットF A s s ' y ファスナーブラケット			
* F20	AAX61750	Spring		バネ		2	
* F30	AAX61760	Spacer	L16	スペーサー		4	
* F40	AAX61770	Flat Head Screw	3.0X8 SC FL NI-BL	+ 皿小ネジ		4	
		ACCESSORIES		付 属 品			
△*	AAX68580	AC Cord	J	電源ケーブル	J		
△*	AAX69550	Label Caution		ラベル	J		
△*	AAX68590	AC Cord	U	電源ケーブル	U,C,V		
△*	AAX68600	AC Cord	E	電源ケーブル	A,H,K,W		
△*	AAX68610	AC Cord	BS	電源ケーブル	B		
△*	AAX69560	AC Cord	O (CHN)	電源ケーブル	O		
* △	AAX68620	Speaker Cable		スピーカーケーブル		2	

\*: New Parts

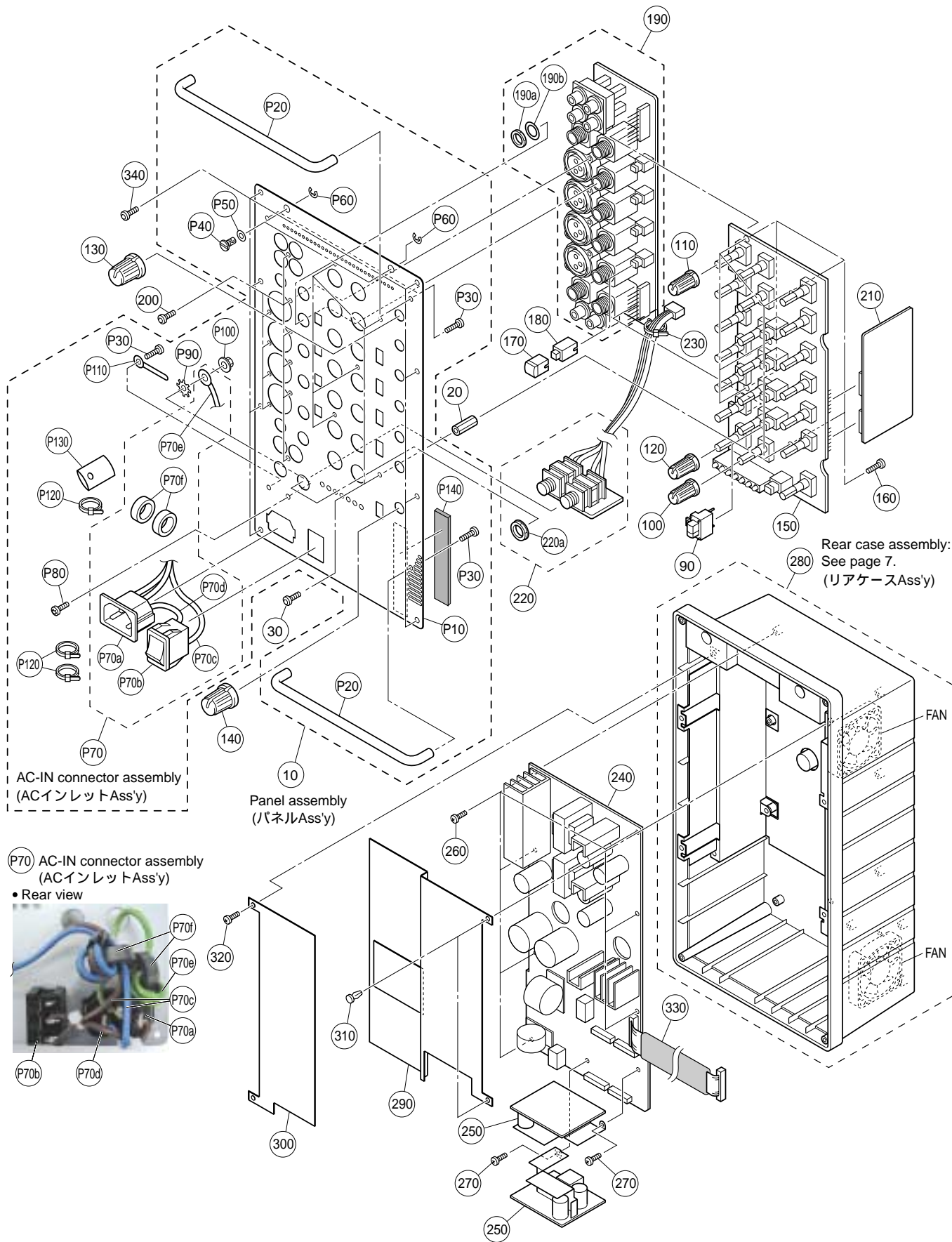
RANK: Japan only

• AC Cord (J model)  
(電源ケーブル)





■ MIXER ASSEMBLY (ミキサー Ass'y)

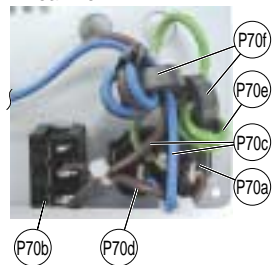


Rear case assembly:  
See page 7.  
(リアケース Ass'y)

AC-IN connector assembly  
(ACインレット Ass'y)

Panel assembly  
(パネル Ass'y)

P70 AC-IN connector assembly  
(ACインレット Ass'y)  
• Rear view

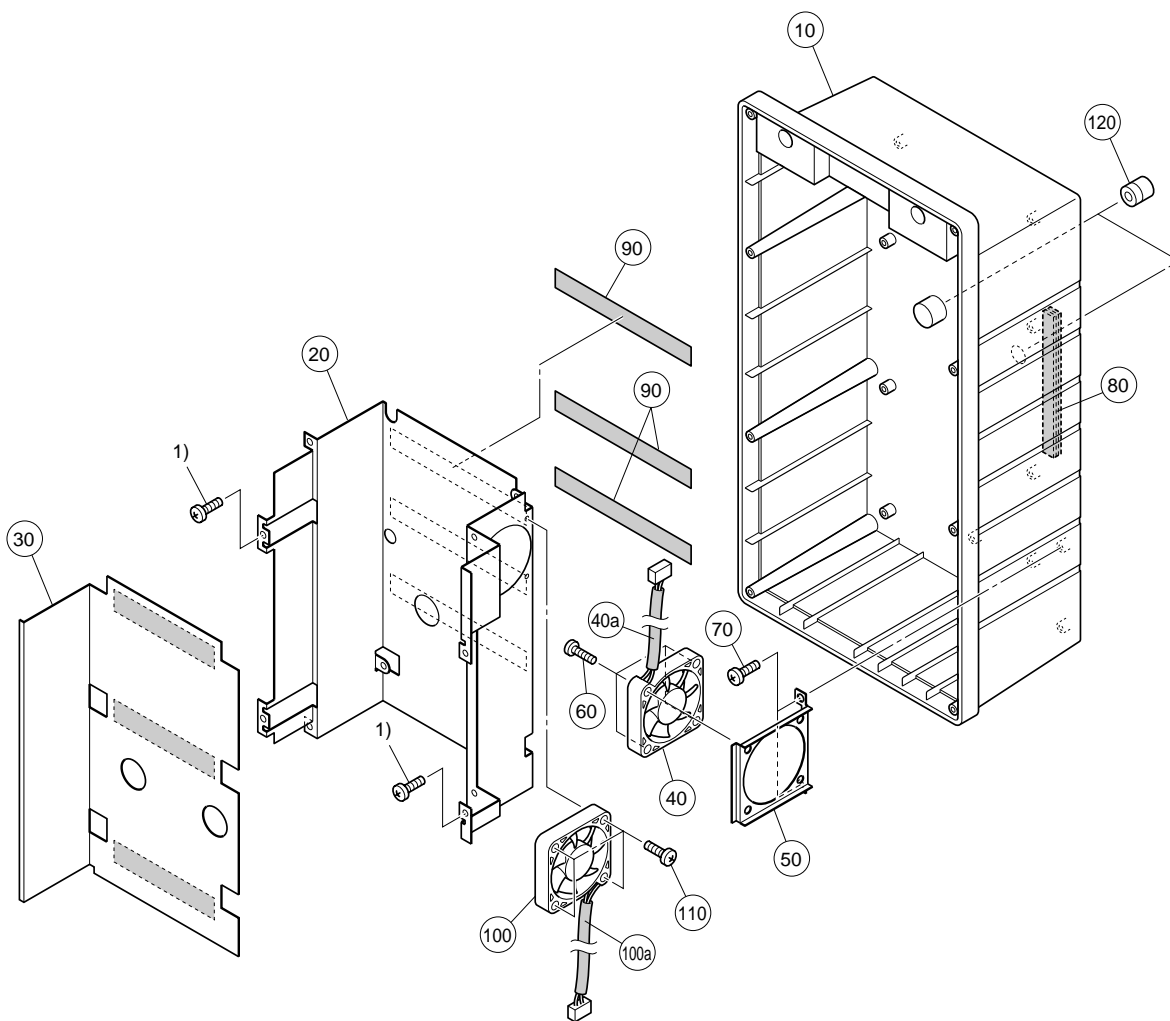


REF NO.	PART NO.	DESCRIPTION		部 品 名	REMARKS	QTY	RANK
		MIXER ASSEMBLY		ミキサー A s s ' y	STAGEPAS 300		
	--	Mixer Assembly		ミキサー A s s ' y	J,U,C,V		
	--	Mixer Assembly		ミキサー A s s ' y	A		
	--	Mixer Assembly		ミキサー A s s ' y	H,B,W		
	--	Mixer Assembly		ミキサー A s s ' y	K,O		
* 10	AAX61790	Panel Assembly		パネル A s s ' y	J,U,C,K,O,V		
* 10	AAX61800	Panel Assembly		パネル A s s ' y	A,H,B,W		
* 20	AAX61760	Spacer	L16	ス ペ ー サ ー		5	
* 30	AAX61840	Hexagonal Screw	3.0X8 NI-BL	六 角 ネ ジ		5	
90	V9664700	Push Button Milky/D-Gray		プ ッ シ ュ ボ タ ン	SPEECH/MUSIC,REVERB	5	01
100	V9665200	Volume Knob White/Gray	S	ノ ブ ヴ R ( S )	REVERB		01
110	V9665300	Volume Knob Green/Gray	S	ノ ブ ヴ R ( S )	HIGH,LOW	12	01
120	V9665400	Volume Knob Blue/Gray	S	ノ ブ ヴ R ( S )	MONITOR OUT		01
130	WA009900	Volume Knob White/M-Gray		ノ ブ ヴ R	LEVEL (CH 1-4,5/6,7/8)	6	
140	WA010000	Volume Knob Red/M-Gray		ノ ブ ヴ R	LEVEL (MASTER)		
* 150	AAX61900	Circuit Board	VR	V R シ ー ト			
* 160	AAX61910	Bind Head Screw	3.0X8 CR3	+ バ イ ン ド 小 ネ ジ		5	
170	V9664800	Push Button White/D-Gray		プ ッ シ ュ ボ タ ン	MIC/LINE	4	01
* 180	AAX61920	Push Spacer		プ ッ シ ュ ス ペ ー サ ー		4	
* 190	AAX61930	Circuit Board	INPUT	I N P U T シ ー ト			
190a	--	Hexagonal Nut	M11.0	特 殊 六 角 ナ ッ ト		8	
190b	--	Flat Washer	M9.2	特 殊 平 座 金		8	
* 200	AAX61710	Bind Head Tapping Screw-B	3.0X10 NI-BL	+ バ イ ン ド B タ イ ト		10	
* 210	AAX62660	Circuit Board	FILTER	F I L T E R シ ー ト			
* 220	AAX61950	Circuit Board	JACK2	J A C K 2 シ ー ト	WITH NUT		
220a	--	Hexagonal Nut	M15.0 BL	特 殊 六 角 ナ ッ ト		2	
230	AAX63240	Cord Holder	SKB-1M WH	イ ン シ ュ ロ ッ ク タイ			
* 240	AAX68670	Circuit Board	POWER	P O W E R シ ー ト	J,U,C,A,V		
* 240	AAX68690	Circuit Board	POWER	P O W E R シ ー ト	H,B,K,O,W		
△ * 250	AAX62070	Power Amplifier Unit	100W UCD-S200	パ ワ ー ア ン プ ユ ニ ッ ト		2	
* 260	AAX61980	Bind Head Tapping Screw-B	3.0X8 CR3	+ バ イ ン ド B タ イ ト		7	
* 270	AAX61710	Bind Head Tapping Screw-B	3.0X10 NI-BL	+ バ イ ン ド B タ イ ト		2	
* 280	AAX61990	Rear Case Assembly		リ ア ケ ー ス A s s ' y			
290	--	Insulator B		絶 縁 板 B			
300	--	Insulator C		絶 縁 板 C			
* 310	AAX62000	Rivet	P2032B	リ ベ ッ ト		2	
* 320	AAX61700	Pan Head Tapping Screw-B	3.0X8 CR3	+ ナ ベ タ ッ プ イ ン グ B タ イ ト		2	
* 330	AAX70180	Cushion	40X80X2	ク ッ シ ュ ン			
* 340	AAX62010	Hexagonal Tapping Screw-B	3.0X8 NI-BL	六 角 ネ ジ B タ イ ト		8	
	AAX61790	Panel Assembly		パネル A s s ' y	J,U,C,K,O,V		
	AAX61800	Panel Assembly		パネル A s s ' y	A,H,B,W		
P10	--	Panel		パ ネ ル	J,U,C,K,O,V		
P10	--	Panel		パ ネ ル	A,H,B,W		
* P20	AAX61810	Handle		ハ ン ド ル		2	
* P30	AAX61910	Bind Head Screw	3.0X8 CR3	+ バ イ ン ド 小 ネ ジ		4	
P40	--	Fastner Head		フ ァ ス ナ ー ヘ ッ ド		2	
P50	--	Flat Washer	D9.5	特 殊 平 座 金		2	
P60	--	Ret-Ring	E4	リ ン グ		2	
P70	--	AC-IN Connector Assembly		A C イ ン レ ッ ト A s s ' y			
△ * P70a	AAX61850	AC Inlet	M1910-C LF	A C イ ン レ ッ ト	AC IN		
△ * P70b	AAX61860	Switch	JW-M12RKK	シ ー ソ ー S W	POWER ON/OFF		
P70c	--	Connector Assembly	VH 2P3 (210)	束 線 2 P			
P70d	--	Connector Assembly	PR1x60	束 線 1 P			
P70e	--	Earth Wire	M4.0 (160)	ア ー ス 線			
P70f	--	Ferrite Core	HF70T18X6X10 LF	フ ェ ラ イ ト コ ア		2	
* P80	AAX61870	Screw	4.0X14 NI-BL	P I N T O R X ネ ジ			
* P90	AAX61880	Toothed Lock Washer B	M4.0 CR3	歯 付 座 金 外 歯 形			
* P100	AAX61890	Hexagonal Nut	M4.0 CR3	フ ラ ン ジ 付 き 六 角 ナ ッ ト			
P110	--	Cord Binder		束 線 止 め			
P120	AAX63240	Cord Holder	SKB-1M WH	イ ン シ ュ ロ ッ ク タイ		3	
P130	--	Insulator Tube		絶 縁 チ ュ ー ブ			
P140	--	Cushion	65X8X2	ク ッ シ ュ ン			

\*: New Parts

RANK: Japan only

# REAR CASE ASSEMBLY(リアケースAss'y)



1) The screws are for transportations only. Remove the screws during assembly.  
 1) 輸送用ネジです。組立時は取り外してください。

REF. NO.	PART NO.	DESCRIPTION		部 品 名	REMARKS	QTY	RANK
*		REAR CASE ASSEMBLY		リアケース Ass'y	STAGEPAS 300		
	AAX61990	Rear Case Assembly		リアケース Ass'y			
10	--	Rear Case		リアケース			
20	--	Shield Case		シールドケース			
30	--	Insulator A		絶縁板 A			
*	40	AAX62020	Fan	5010L12S NF2 LF	ファン		
40a	--	Cushion	70X15X2	クッション			
50	--	Fan Bracket		ファンブラケット			
*	60	AAX62030	Bind Head Tapping Screw-B	4.0X16 CR3	+ バインド B タイト	4	
*	70	AAX61980	Bind Head Tapping Screw-B	3.0X8 CR3	+ バインド B タイト	2	
80	--	Cushion	8.0X65X2	クッション		3	
90	--	Cushion	7.0X100X2	クッション		3	
*	100	AAX62040	Fan	4010L12S ND2 LF	ファン		
100a	--	Cushion	20X100X2	クッション			
*	110	AAX62050	Pan Head Tapping Screw-B	3.0X12 CR3	+ ナベタッピング B タイト	4	
*	120	AAX62060	Nut		ナット	2	

\*: New Parts

RANK: Japan only

# ELECTRICAL PARTS (電気部品)

REF NO.	PART NO.	DESCRIPTION	部 品 名	REMARKS	QTY	RANK
		ELECTRICAL PARTS	電 気 部 品	STAGEPAS 300		
*	AA62660	Circuit Board	FILTER	F I L T E R シ ー ト (6469-40)		
*	AA61930	Circuit Board	INPUT	I N P U T シ ー ト (6469-40)		
*	AA63200	Circuit Board	JACK1A	J A C K 1 A シ ー ト (8143-40)		
*	AA69280	Circuit Board	JACK1B	J A C K 1 B シ ー ト (8143-40)		
*	AA61950	Circuit Board	JACK2	J A C K 2 シ ー ト (6469-40)		
*	AA61690	Circuit Board	NETWORK1	N E T W O R K シ ー ト 1 (8143-40)		
*	AA68680	Circuit Board	NETWORK2	N E T W O R K シ ー ト 2 (8143-40)		
*	AA68670	Circuit Board	POWER	P O W E R シ ー ト J,U,C,A,V (8143-40)		
*	AA68690	Circuit Board	POWER	P O W E R シ ー ト H,B,K,O,W (8143-40)		
*	AA61900	Circuit Board	VR	V R シ ー ト (6469-40)		
*	AA62660	Circuit Board	FILTER	F I L T E R シ ー ト (6469-40)		
* C120	AA61820	Ceramic Capacitor (chip)	10P 50V D	チ ッ プ セ ラ コ ン		
* C121	AA62670	Electrolytic Cap.	10/35V	ケ ミ コ ン		
* C124	AA62670	Electrolytic Cap.	10/35V	ケ ミ コ ン		
* C125	AA611160	Mylar Capacitor	0.15 50V J	マ イ ラ コ ン ( W = 6 )		
* C126	AA611160	Mylar Capacitor	0.15 50V J	マ イ ラ コ ン ( W = 6 )		
* C130	XX698870	Mylar Capacitor	0.01 50V J	マ イ ラ コ ン		
* C150	AA62670	Electrolytic Cap.	10/35V	ケ ミ コ ン		
* C151	AA63010	Ceramic Capacitor (chip)	22P 50V	チ ッ プ セ ラ コ ン		
* C220	AA61820	Ceramic Capacitor (chip)	10P 50V D	チ ッ プ セ ラ コ ン		
* C221	AA62670	Electrolytic Cap.	10/35V	ケ ミ コ ン		
* C224	AA62670	Electrolytic Cap.	10/35V	ケ ミ コ ン		
* C225	AA611160	Mylar Capacitor	0.15 50V J	マ イ ラ コ ン ( W = 6 )		
* C226	AA611160	Mylar Capacitor	0.15 50V J	マ イ ラ コ ン ( W = 6 )		
* C230	XX698870	Mylar Capacitor	0.01 50V J	マ イ ラ コ ン		
* C250	AA62670	Electrolytic Cap.	10/35V	ケ ミ コ ン		
* C251	AA63010	Ceramic Capacitor (chip)	22P 50V	チ ッ プ セ ラ コ ン		
* C602	AA62670	Electrolytic Cap.	10/35V	ケ ミ コ ン		
* C603	AA62670	Electrolytic Cap.	10/35V	ケ ミ コ ン		
* C605	AA611160	Mylar Capacitor	0.15 50V J	マ イ ラ コ ン ( W = 6 )		
* C606	AA611210	Mylar Capacitor	1500P 50V J	マ イ ラ コ ン		
* C607	AA62690	Ceramic Capacitor (chip)	0.068 25V K	チ ッ プ セ ラ コ ン		
* C608	AA62710	Ceramic Capacitor (chip)	1u 10V K	チ ッ プ セ ラ コ ン		
* C609	AA62710	Ceramic Capacitor (chip)	1u 10V K	チ ッ プ セ ラ コ ン		
* C610	AA62690	Ceramic Capacitor (chip)	0.068 25V K	チ ッ プ セ ラ コ ン		
* C611	AA610480	Electrolytic Cap.	47/16V	ケ ミ コ ン		
* C612	AA611210	Mylar Capacitor	1500P 50V J	マ イ ラ コ ン		
* C613	AA62680	Mylar Capacitor	6800P 50V J	マ イ ラ コ ン		
* C614	AA62710	Ceramic Capacitor (chip)	1u 10V K	チ ッ プ セ ラ コ ン		
* C618	AA62720	Ceramic Capacitor (chip)	47P 50V J	チ ッ プ セ ラ コ ン		
* C620	AA62680	Mylar Capacitor	6800P 50V J	マ イ ラ コ ン		
* C885	AA62730	Ceramic Capacitor (chip)	0.01 50V K	チ ッ プ セ ラ コ ン		
* C886	AA62670	Electrolytic Cap.	10/35V	ケ ミ コ ン		
* C889	AA62730	Ceramic Capacitor (chip)	0.01 50V K	チ ッ プ セ ラ コ ン		
* C891	AA62730	Ceramic Capacitor (chip)	0.01 50V K	チ ッ プ セ ラ コ ン		
* C898	AA62730	Ceramic Capacitor (chip)	0.01 50V K	チ ッ プ セ ラ コ ン		
* C899	AA62730	Ceramic Capacitor (chip)	0.01 50V K	チ ッ プ セ ラ コ ン		
* C904	AA62730	Ceramic Capacitor (chip)	0.01 50V K	チ ッ プ セ ラ コ ン		
* C905	AA62730	Ceramic Capacitor (chip)	0.01 50V K	チ ッ プ セ ラ コ ン		
* C933	AA62670	Electrolytic Cap.	10/35V	ケ ミ コ ン		
* C934	AA62670	Electrolytic Cap.	10/35V	ケ ミ コ ン		
* C940	AA62730	Ceramic Capacitor (chip)	0.01 50V K	チ ッ プ セ ラ コ ン		
* C941	AA62730	Ceramic Capacitor (chip)	0.01 50V K	チ ッ プ セ ラ コ ン		
* CN28	AA62740	Connector Base Post	8P 52418-0810	コ ネ ク タ 8 P		
* CN32	AA62740	Connector Base Post	8P 52418-0810	コ ネ ク タ 8 P		
* D608	XX698570	Diode (chip)	1SS355 TE-17	ダ イ オ ー ド		
* D609	XX698570	Diode (chip)	1SS355 TE-17	ダ イ オ ー ド		
* IC103	AA62750	IC (chip)	NJM2068M-D TE1	I C	OP AMP	
* IC107	AA62750	IC (chip)	NJM2068M-D TE1	I C	OP AMP	
* IC204	AA62750	IC (chip)	NJM2068M-D TE1	I C	OP AMP	
* IC602	AA62760	IC (chip)	M65850FP T	I C	DIGITAL ECHO	
* IC603	AA62750	IC (chip)	NJM2068M-D TE1	I C	OP AMP	
* Q105	AA62770	Transistor (chip)	KRA102S-RTK/P T LF	ト ラ ン ジ ス タ		
* Q106	AA645980	Transistor (chip)	2SC2412K QRS T146	ト ラ ン ジ ス タ		
* Q108	AA64040	FET	2SK246 BL (-F)	F E T		
* Q205	AA62770	Transistor (chip)	KRA102S-RTK/P T LF	ト ラ ン ジ ス タ		
* Q206	AA645980	Transistor (chip)	2SC2412K QRS T146	ト ラ ン ジ ス タ		
* Q208	AA64040	FET	2SK246 BL (-F)	F E T		

\*: New Parts

RANK: Japan only

REF NO.	PART NO.	DESCRIPTION		部 品 名	REMARKS	QTY	RANK
* R136	AA63820	Carbon Resistor (chip)	56K	チ ッ ブ 抵 抗			
* R140	AA62790	Carbon Resistor (chip)	1.5K J	チ ッ ブ 抵 抗			
* R141	AA62800	Carbon Resistor (chip)	47K J	チ ッ ブ 抵 抗			
* R144	AA62800	Carbon Resistor (chip)	47K J	チ ッ ブ 抵 抗			
* R145	AA62810	Carbon Resistor (chip)	1K J	チ ッ ブ 抵 抗			
* R146	AA62820	Carbon Resistor (chip)	270K J	チ ッ ブ 抵 抗			
* R147	AA64090	Carbon Resistor (chip)	0.00 J	チ ッ ブ 抵 抗			
* R148	AA62780	Carbon Resistor (chip)	33K J	チ ッ ブ 抵 抗			
* R149	AA62870	Carbon Resistor (chip)	5.6K J	チ ッ ブ 抵 抗			
* R150	AA62840	Carbon Resistor (chip)	68K J	チ ッ ブ 抵 抗			
* R152	AA62850	Carbon Resistor (chip)	2.2K J	チ ッ ブ 抵 抗			
* R154	AA62810	Carbon Resistor (chip)	1K J	チ ッ ブ 抵 抗			
* R155	AA62860	Carbon Resistor (chip)	150K J	チ ッ ブ 抵 抗			
* R159	AA62870	Carbon Resistor (chip)	5.6K J	チ ッ ブ 抵 抗			
* R161	AA62920	Carbon Resistor (chip)	100K J	チ ッ ブ 抵 抗			
* R180	AA63790	Carbon Resistor (chip)	22K J	チ ッ ブ 抵 抗			
* R182	AA63790	Carbon Resistor (chip)	22K J	チ ッ ブ 抵 抗			
* R196	AA62860	Carbon Resistor (chip)	150K J	チ ッ ブ 抵 抗			
* R236	AA63820	Carbon Resistor (chip)	56K J	チ ッ ブ 抵 抗			
* R240	AA62790	Carbon Resistor (chip)	1.5K J	チ ッ ブ 抵 抗			
* R241	AA62800	Carbon Resistor (chip)	47K J	チ ッ ブ 抵 抗			
* R244	AA62800	Carbon Resistor (chip)	47K J	チ ッ ブ 抵 抗			
* R245	AA62810	Carbon Resistor (chip)	1K J	チ ッ ブ 抵 抗			
* R246	AA62820	Carbon Resistor (chip)	270K J	チ ッ ブ 抵 抗			
* R247	AA64090	Carbon Resistor (chip)	0.00 J	チ ッ ブ 抵 抗			
* R248	AA62780	Carbon Resistor (chip)	33K J	チ ッ ブ 抵 抗			
* R249	AA62870	Carbon Resistor (chip)	5.6K J	チ ッ ブ 抵 抗			
* R250	AA62840	Carbon Resistor (chip)	68K J	チ ッ ブ 抵 抗			
* R252	AA62850	Carbon Resistor (chip)	2.2K J	チ ッ ブ 抵 抗			
* R254	AA62810	Carbon Resistor (chip)	1K J	チ ッ ブ 抵 抗			
* R255	AA62860	Carbon Resistor (chip)	150K J	チ ッ ブ 抵 抗			
* R259	AA62870	Carbon Resistor (chip)	5.6K J	チ ッ ブ 抵 抗			
* R261	AA62920	Carbon Resistor (chip)	100K J	チ ッ ブ 抵 抗			
* R280	AA63790	Carbon Resistor (chip)	22K J	チ ッ ブ 抵 抗			
* R282	AA63790	Carbon Resistor (chip)	22K J	チ ッ ブ 抵 抗			
* R296	AA62860	Carbon Resistor (chip)	150K J	チ ッ ブ 抵 抗			
* R336	AA63820	Carbon Resistor (chip)	56K J	チ ッ ブ 抵 抗			
* R436	AA63820	Carbon Resistor (chip)	56K J	チ ッ ブ 抵 抗			
* R601	AA62870	Carbon Resistor (chip)	5.6K	チ ッ ブ 抵 抗			
* R602	AA62890	Carbon Resistor (chip)	39K J	チ ッ ブ 抵 抗			
* R607	AA62870	Carbon Resistor (chip)	5.6K J	チ ッ ブ 抵 抗			
* R610	AA62900	Carbon Resistor (chip)	470 J	チ ッ ブ 抵 抗			
* R611	AA62900	Carbon Resistor (chip)	470 J	チ ッ ブ 抵 抗			
* R613	AA62910	Carbon Resistor (chip)	15K J	チ ッ ブ 抵 抗			
* -615	AA62910	Carbon Resistor (chip)	15K J	チ ッ ブ 抵 抗			
* R616	AA62920	Carbon Resistor (chip)	100K J	チ ッ ブ 抵 抗			
* R617	AA62910	Carbon Resistor (chip)	15K J	チ ッ ブ 抵 抗			
* -619	AA62910	Carbon Resistor (chip)	15K J	チ ッ ブ 抵 抗			
* R620	AA62800	Carbon Resistor (chip)	47K J	チ ッ ブ 抵 抗			
* R621	AA62880	Carbon Resistor (chip)	10K J	チ ッ ブ 抵 抗			
* R622	AA62880	Carbon Resistor (chip)	10K J	チ ッ ブ 抵 抗			
* AAX61930		Circuit Board	INPUT	I N P U T シ ー ト	(6469-40)		
* C101	AA62930	Electrolytic Cap. (chip)	22/50V	チ ッ ブ ケ ミ コ ン			
* C102	AA62930	Electrolytic Cap. (chip)	22/50V	チ ッ ブ ケ ミ コ ン			
* C103	AA62940	Ceramic Capacitor (chip)	470P 50V J	チ ッ ブ セ ラ コ ン			
* -108	AA62940	Ceramic Capacitor (chip)	470P 50V J	チ ッ ブ セ ラ コ ン			
* C109	AA62960	Ceramic Capacitor (chip)	27P 50V J	チ ッ ブ セ ラ コ ン			
* C110	AA62960	Ceramic Capacitor (chip)	27P 50V J	チ ッ ブ セ ラ コ ン			
* C118	AA62970	Electrolytic Cap. (chip)	47/25V	チ ッ ブ ケ ミ コ ン			
* C122	AA62970	Electrolytic Cap. (chip)	47/25V	チ ッ ブ ケ ミ コ ン			
* C129	AA62980	Ceramic Capacitor (chip)	220P 50V J	チ ッ ブ セ ラ コ ン			
* C133	AA62990	Electrolytic Cap. (chip)	10/35V	チ ッ ブ ケ ミ コ ン			
* C201	AA62930	Electrolytic Cap. (chip)	22/50V	チ ッ ブ ケ ミ コ ン			
* C202	AA62930	Electrolytic Cap. (chip)	22/50V	チ ッ ブ ケ ミ コ ン			
* C203	AA62940	Ceramic Capacitor (chip)	470P 50V J	チ ッ ブ セ ラ コ ン			
* -208	AA62940	Ceramic Capacitor (chip)	470P 50V J	チ ッ ブ セ ラ コ ン			
* C209	AA62960	Ceramic Capacitor (chip)	27P 50V J	チ ッ ブ セ ラ コ ン			
* C210	AA62960	Ceramic Capacitor (chip)	27P 50V J	チ ッ ブ セ ラ コ ン			
* C218	AA62970	Electrolytic Cap. (chip)	47/25V	チ ッ ブ ケ ミ コ ン			

\*: New Parts

RANK: Japan only

REF NO.	PART NO.	DESCRIPTION		部 品 名	REMARKS	QTY	RANK
* C222	AAx62970	Electrolytic Cap. (chip)	47/25V	チ ッ プ ケ ミ コ ン			
* C229	AAx62980	Ceramic Capacitor (chip)	220P 50V J	チ ッ プ セ ラ コ ン			
* C233	AAx62990	Electrolytic Cap. (chip)	10/35V	チ ッ プ ケ ミ コ ン			
* C301	AAx62930	Electrolytic Cap. (chip)	22/50V	チ ッ プ ケ ミ コ ン			
* C302	AAx62930	Electrolytic Cap. (chip)	22/50V	チ ッ プ ケ ミ コ ン			
* C303	AAx62940	Ceramic Capacitor (chip)	470P 50V J	チ ッ プ セ ラ コ ン			
* -308	AAx62940	Ceramic Capacitor (chip)	470P 50V J	チ ッ プ セ ラ コ ン			
* C309	AAx62960	Ceramic Capacitor (chip)	27P 50V J	チ ッ プ セ ラ コ ン			
* C310	AAx62960	Ceramic Capacitor (chip)	27P 50V J	チ ッ プ セ ラ コ ン			
* C318	AAx62970	Electrolytic Cap. (chip)	47/25V	チ ッ プ ケ ミ コ ン			
* C322	AAx62970	Electrolytic Cap. (chip)	47/25V	チ ッ プ ケ ミ コ ン			
* C329	AAx62980	Ceramic Capacitor (chip)	220P 50V J	チ ッ プ セ ラ コ ン			
* C401	AAx62930	Electrolytic Cap. (chip)	22/50V	チ ッ プ ケ ミ コ ン			
* C402	AAx62930	Electrolytic Cap. (chip)	22/50V	チ ッ プ ケ ミ コ ン			
* C403	AAx62940	Ceramic Capacitor (chip)	470P 50V J	チ ッ プ セ ラ コ ン			
* -408	AAx62940	Ceramic Capacitor (chip)	470P 50V J	チ ッ プ セ ラ コ ン			
* C409	AAx62960	Ceramic Capacitor (chip)	27P 50V J	チ ッ プ セ ラ コ ン			
* C410	AAx62960	Ceramic Capacitor (chip)	27P 50V J	チ ッ プ セ ラ コ ン			
* C418	AAx62970	Electrolytic Cap. (chip)	47/25V	チ ッ プ ケ ミ コ ン			
* C422	AAx62970	Electrolytic Cap. (chip)	47/25V	チ ッ プ ケ ミ コ ン			
* C429	AAx62980	Ceramic Capacitor (chip)	220P 50V J	チ ッ プ セ ラ コ ン			
* C501	AAx62720	Ceramic Capacitor (chip)	47P 50V J	チ ッ プ セ ラ コ ン			
* C504	AAx63010	Ceramic Capacitor (chip)	22P 50V J	チ ッ プ セ ラ コ ン			
* C505	AAx62990	Electrolytic Cap. (chip)	10/35V	チ ッ プ ケ ミ コ ン			
* C506	AAx69290	Ceramic Capacitor (chip)	2200P 50V K	チ ッ プ セ ラ コ ン			
* C511	AAx62720	Ceramic Capacitor (chip)	47P 50V J	チ ッ プ セ ラ コ ン			
* C516	AAx63010	Ceramic Capacitor (chip)	22P 50V J	チ ッ プ セ ラ コ ン			
* C518	AAx69290	Ceramic Capacitor (chip)	2200P 50V K	チ ッ プ セ ラ コ ン			
* C522	AAx62990	Electrolytic Cap. (chip)	10/35V	チ ッ プ ケ ミ コ ン			
* C701	AAx62720	Ceramic Capacitor (chip)	47P 50V J	チ ッ プ セ ラ コ ン			
* C704	AAx63010	Ceramic Capacitor (chip)	22P 50V J	チ ッ プ セ ラ コ ン			
* C705	AAx62990	Electrolytic Cap. (chip)	10/35V	チ ッ プ ケ ミ コ ン			
* C706	AAx69290	Ceramic Capacitor (chip)	2200P 50V K	チ ッ プ セ ラ コ ン			
* C711	AAx62720	Ceramic Capacitor (chip)	47P 50V J	チ ッ プ セ ラ コ ン			
* C716	AAx63010	Ceramic Capacitor (chip)	22P 50V J	チ ッ プ セ ラ コ ン			
* C721	AAx62990	Electrolytic Cap. (chip)	10/35V	チ ッ プ ケ ミ コ ン			
* C722	AAx69290	Ceramic Capacitor (chip)	2200P 50V K	チ ッ プ セ ラ コ ン			
* C856	AAx63030	Ceramic Capacitor (chip)	4.7/25V	チ ッ プ セ ラ コ ン			
* C859	AAx63030	Ceramic Capacitor (chip)	4.7/25V	チ ッ プ セ ラ コ ン			
* C882	AAx62730	Ceramic Capacitor (chip)	0.01 50V K	チ ッ プ セ ラ コ ン			
* C884	AAx62730	Ceramic Capacitor (chip)	0.01 50V K	チ ッ プ セ ラ コ ン			
* C892	AAx63030	Ceramic Capacitor (chip)	4.7/25V	チ ッ プ セ ラ コ ン			
* C895	AAx63030	Ceramic Capacitor (chip)	4.7/25V	チ ッ プ セ ラ コ ン			
* C917	AAx62990	Electrolytic Cap. (chip)	10/35V	チ ッ プ ケ ミ コ ン			
* C918	AAx62990	Electrolytic Cap. (chip)	10/35V	チ ッ プ ケ ミ コ ン			
* CN22	AAx63040	Connector Base Post	10PPHA102-1002A156	コ ネ ク タ 1 0 P			
* CN25	AAx63040	Connector Base Post	10PPHA102-1002A156	コ ネ ク タ 1 0 P			
* IC101	AAx62750	IC (chip)	NJM2068M-D TE1	I C	OP AMP		
* IC201	AAx62750	IC (chip)	NJM2068M-D TE1	I C	OP AMP		
* IC501	AAx62750	IC (chip)	NJM2068M-D TE1	I C	OP AMP		
* IC701	AAx62750	IC (chip)	NJM2068M-D TE1	I C	OP AMP		
* JK101	AAx63050	Phone Jack Black	MSJ-064-20A LF	ホ ー ン ジャ ッ ク	CH 1		
* JK102	AAx63060	Cannon Connector	XLR-301J-A LF	キ ャ ノ ン ジャ ッ ク	CH 1		
* JK103	AAx63070	RCA Jack Nickel	2P MSP-532HV1-21LF	R C A ジャ ッ ク 2 P	REC OUT L/R		
* JK104	AAx63050	Phone Jack Black	MSJ-064-20A LF	ホ ー ン ジャ ッ ク	POWERED SP L(MONO)		
* JK201	AAx63050	Phone Jack Black	MSJ-064-20A LF	ホ ー ン ジャ ッ ク	CH 2		
* JK202	AAx63060	Cannon Connector	XLR-301J-A LF	キ ャ ノ ン ジャ ッ ク	CH 2		
* JK204	AAx63050	Phone Jack Black	MSJ-064-20A LF	ホ ー ン ジャ ッ ク	POWERED SP R		
* JK301	AAx63050	Phone Jack Black	MSJ-064-20A LF	ホ ー ン ジャ ッ ク	CH 3		
* JK302	AAx63060	Cannon Connector	XLR-301J-A LF	キ ャ ノ ン ジャ ッ ク	CH 3		
* JK401	AAx63050	Phone Jack Black	MSJ-064-20A LF	ホ ー ン ジャ ッ ク	CH 4		
* JK402	AAx63060	Cannon Connector	XLR-301J-A LF	キ ャ ノ ン ジャ ッ ク	CH 4		
* JK501	AAx63050	Phone Jack Black	MSJ-064-20A LF	ホ ー ン ジャ ッ ク	CH 5/6 L		
* JK502	AAx63050	Phone Jack Black	MSJ-064-20A LF	ホ ー ン ジャ ッ ク	CH 5/6 R		
* JK503	AAx63080	RCA Jack Nickel	4P MSP-247H1-01 LF	R C A ジャ ッ ク 4 P	CH 5/6,7/8 L/R		
* L101	AAx63090	Coil	MMZ1608S102AT T LF	コ イ ル			
* L102	AAx63090	Coil	MMZ1608S102AT T LF	コ イ ル			
* L111	AAx63090	Coil	MMZ1608S102AT T LF	コ イ ル			
* -113	AAx63090	Coil	MMZ1608S102AT T LF	コ イ ル			
* L201	AAx63090	Coil	MMZ1608S102AT T LF	コ イ ル			

\*: New Parts

RANK: Japan only



REF NO.	PART NO.	DESCRIPTION		部 品 名	REMARKS	QTY	RANK
* R418	AA X63110	Carbon Resistor (chip)	3.3K J	チ ッ プ 抵 抗			
* R419	AA X63160	Carbon Resistor (chip)	120K J	チ ッ プ 抵 抗			
* R420	AA X63160	Carbon Resistor (chip)	120K J	チ ッ プ 抵 抗			
* R504	AA X62920	Carbon Resistor (chip)	100K J	チ ッ プ 抵 抗			
* R505	AA X62800	Carbon Resistor (chip)	47K J	チ ッ プ 抵 抗			
* R506	AA X62870	Carbon Resistor (chip)	5.6K J	チ ッ プ 抵 抗			
* R507	AA X63880	Carbon Resistor (chip)	4.7K J	チ ッ プ 抵 抗			
* R508	AA X62810	Carbon Resistor (chip)	1K J	チ ッ プ 抵 抗			
* R517	AA X62920	Carbon Resistor (chip)	100K J	チ ッ プ 抵 抗			
* R518	AA X62800	Carbon Resistor (chip)	47K J	チ ッ プ 抵 抗			
* R519	AA X62870	Carbon Resistor (chip)	5.6K J	チ ッ プ 抵 抗			
* R520	AA X63880	Carbon Resistor (chip)	4.7K J	チ ッ プ 抵 抗			
* R521	AA X62810	Carbon Resistor (chip)	1K J	チ ッ プ 抵 抗			
* R704	AA X62920	Carbon Resistor (chip)	100K J	チ ッ プ 抵 抗			
* R705	AA X62800	Carbon Resistor (chip)	47K J	チ ッ プ 抵 抗			
* R706	AA X62870	Carbon Resistor (chip)	5.6K J	チ ッ プ 抵 抗			
* R707	AA X63880	Carbon Resistor (chip)	4.7K J	チ ッ プ 抵 抗			
* R708	AA X62810	Carbon Resistor (chip)	1K J	チ ッ プ 抵 抗			
* R717	AA X62920	Carbon Resistor (chip)	100K J	チ ッ プ 抵 抗			
* R718	AA X62800	Carbon Resistor (chip)	47K J	チ ッ プ 抵 抗			
* R719	AA X62870	Carbon Resistor (chip)	5.6K J	チ ッ プ 抵 抗			
* R720	AA X63880	Carbon Resistor (chip)	4.7K J	チ ッ プ 抵 抗			
* R721	AA X62810	Carbon Resistor (chip)	1K J	チ ッ プ 抵 抗			
* S101	AA X63180	Push Switch	PS-22E85-L5.2 LF	プ ッ シ ュ ス イ ッ チ	MIC/LINE (CH 1)		
* S201	AA X63180	Push Switch	PS-22E85-L5.2 LF	プ ッ シ ュ ス イ ッ チ	MIC/LINE (CH 2)		
* S301	AA X63180	Push Switch	PS-22E85-L5.2 LF	プ ッ シ ュ ス イ ッ チ	MIC/LINE (CH 3)		
* S401	AA X63180	Push Switch	PS-22E85-L5.2 LF	プ ッ シ ュ ス イ ッ チ	MIC/LINE (CH 4)		
* ZN1	AA X63190	Varistor	AVR-M1608C270KT2AB	バ リ ス タ			
* -12	AA X63190	Varistor	AVR-M1608C270KT2AB	バ リ ス タ			
* CN15	AA X63200	Circuit Board	JACK1A	J A C K 1 A シ ー ト	(8143-40)		
* JK106	AA X63210	Connector Base Post	2P S2P-VH	コ ネ ク タ 2 P			
* JK106	AA X63220	Phone Jack	4P CK-6.35-29A	ホ ー ン ジャ ッ ク			
* CN11	AA X69280	Circuit Board	JACK1B	J A C K 1 B シ ー ト	(8143-40)		
* JK206	AA X63210	Connector Base Post	2P S2P-VH	コ ネ ク タ 2 P			
* JK206	AA X63220	Phone Jack	4P CK-6.35-29A	ホ ー ン ジャ ッ ク			
* JK105	AA X61950	Circuit Board	JACK2	J A C K 2 シ ー ト	(6469-40)		
* L199	--	Connector Assembly	VH4P-SIN	束 線 4 P	P13-P16 (AA X6353)		
* L299	AA X63220	Phone Jack	4P CK-6.35-29A	ホ ー ン ジャ ッ ク	SP OUT		
* L299	AA X63220	Phone Jack	4P CK-6.35-29A	ホ ー ン ジャ ッ ク	SP OUT		
* L299	AA X63230	Coil	ACM1211-102-2PL LF	コ イ ル			
* L299	AA X63230	Coil	ACM1211-102-2PL LF	コ イ ル			
* C243	AA X61690	Circuit Board	NETWORK1	N E T W O R K シ ー ト 1	(8143-40)		
* C244	--	Cord Holder	SKB-1M WH	イ ン シ ュ ロ ッ ク タイ	L204 (AA X6324)		
* C245	--	Cord Holder	SKB-2M WH	イ ン シ ュ ロ ッ ク タイ	L203 (AA X6325)		
* CN10	AA X43480	Capacitor	6.8uF/100V	B P コ ン デ ン サ			
* P9	AA X43490	Film Capacitor	0.82uF/250V	フ ィ ル ム コ ン デ ン サ			
* P10	AA X43500	Film Capacitor	3.9uF/250V	フ ィ ル ム コ ン デ ン サ			
* P11	AA X43690	Connector Base Post	2P B2P-VH	コ ネ ク タ 2 P			
* P12	AA X43510	Coil	1.2mH	コ イ ル			
* P12	AA X43520	Coil	0.3mH	コ イ ル			
* P3	--	Wire Red	+ LF SP-WF 205N	束 線 L F 赤			
* P4	--	Wire Black	- LF SP-WF 110N	束 線 L F 黒			
* P5	--	Wire Yellow	+ HF SP-TW 205N	束 線 H F 黄			
* P6	--	Wire Blue	- HF SP-TW 110N	束 線 H F 青			
* C143	AA X68680	Circuit Board	NETWORK2	N E T W O R K シ ー ト 2	(8143-40)		
* C144	--	Cord Holder	SKB-1M WH	イ ン シ ュ ロ ッ ク タイ	L104 (AA X6324)		
* C145	--	Cord Holder	SKB-2M WH	イ ン シ ュ ロ ッ ク タイ	L103 (AA X6325)		
* CN8	AA X43480	Capacitor	6.8uF/100V	B P コ ン デ ン サ			
* P3	AA X43490	Film Capacitor	0.82uF/250V	フ ィ ル ム コ ン デ ン サ			
* P4	AA X43500	Film Capacitor	3.9uF/250V	フ ィ ル ム コ ン デ ン サ			
* P5	AA X43690	Connector Base Post	2P B2P-VH	コ ネ ク タ 2 P			
* P6	AA X43510	Coil	1.2mH	コ イ ル			
* P7	AA X43520	Coil	0.3mH	コ イ ル			
* P8	--	Wire Red	+ LF SP-WF 205N	束 線 L F 赤			
* P9	--	Wire Black	- LF SP-WF 110N	束 線 L F 黒			

\*: New Parts

RANK: Japan only



REF NO.	PART NO.	DESCRIPTION		部 品 名	REMARKS	QTY	RANK
P5	--	Wire Yellow	+ HF SP-TW 205N	束 線 H F 黄			
P6	--	Wire Blue	- HF SP-TW 110N	束 線 H F 青			
*	AAx68670	Circuit Board	POWER	P O W E R シ ー ト	J,U,C,A,V (8143-40)		
*	AAx68690	Circuit Board	POWER	P O W E R シ ー ト	H,B,K,O,W (8143-40)		
	--	Bushing	B-24	ブ ッ シ ュ	IC802,804 (AAx1105)	2	
	--	Tube Black	1.0X12	チ ュ ー プ	TH801 (AAx6330)	2	
	--	Mica	SK16B	マ イ カ	IC802,804 (AAx3142)	2	
	--	Heat Sink	A	ヒ ー ト シ ン ク	(AAx6331)	3	
	--	Heat Sink	25X20	ヒ ー ト シ ン ク	(AAx6332)		
	--	Heat Sink		ヒ ー ト シ ン ク	IC802,804,TH801 (AAx6333)		
*	AAx62050	Pan Head Screw	3.0X12 CR3	+ ナ ベ 小 ネ ジ		7	
*	AAx61980	Bind Head Tapping Screw-B	3.0X8 CR3	+ バ イ ン ド B タ イ ト		2	
	--	Ferrite Core	HF70BB3.5X5X1.3 LF	フ ェ ラ イ ト コ ア	D809,822 (AAx6334)	2	
*	AAx63350	Fuse Holder	EYF-52BCY T	ヒ ュ ー ズ ホ ル ダ		2	
C137	AAx63360	Electrolytic Cap.	10/50V	ケ ミ コ ン			
C142	AAx63360	Electrolytic Cap.	10/50V	ケ ミ コ ン			
C237	AAx63360	Electrolytic Cap.	10/50V	ケ ミ コ ン			
C242	AAx63360	Electrolytic Cap.	10/50V	ケ ミ コ ン			
C801	AAx63370	Ceramic Capacitor	1000P/500V	セ ラ コ ン			
C802	AAx63380	Electrolytic Cap.	220/25V	ケ ミ コ ン			
C803	AAx63360	Electrolytic Cap.	10/50V	ケ ミ コ ン			
C804	AAx63390	Electrolytic Cap.	390/200V	ケ ミ コ ン			
C805	AAx63400	Electrolytic Cap.	47/25V	ケ ミ コ ン			
C806	AAx63410	Electrolytic Cap.	1000/50V	ケ ミ コ ン			
C807	AAx63420	Ceramic Capacitor	0.01/500V	セ ラ コ ン			
C808	AAx63390	Electrolytic Cap.	390/200V	ケ ミ コ ン			
C809	AAx63420	Ceramic Capacitor	0.01/500V	セ ラ コ ン			
C810	AAx63430	Electrolytic Cap.	47/400V	ケ ミ コ ン			
⚠	C811	Ceramic Capacitor	1000P/250V	セ ラ コ ン			
C812	AAx63410	Electrolytic Cap.	1000/50V	ケ ミ コ ン			
C813	AAx34520	Mylar Capacitor	0.1 50V J	マ イ ラ コ ン			
C814	AAx68730	Electrolytic Cap.	10/63V	ケ ミ コ ン			
C815	AAx62730	Ceramic Capacitor (chip)	0.01 50V K	チ ッ プ セ ラ コ ン			
C816	AAx62730	Ceramic Capacitor (chip)	0.01 50V K	チ ッ プ セ ラ コ ン			
C817	AAx63450	Ceramic Capacitor (chip)	0.1 25V Z	チ ッ プ セ ラ コ ン			
C818	AAx63450	Ceramic Capacitor (chip)	0.1 25V Z	チ ッ プ セ ラ コ ン			
C819	AAx63400	Electrolytic Cap.	47/25V	ケ ミ コ ン			
C820	AAx63450	Ceramic Capacitor (chip)	0.1 25V Z	チ ッ プ セ ラ コ ン			
C821	AAx63370	Ceramic Capacitor	1000P/500V	セ ラ コ ン			
C822	AAx63380	Electrolytic Cap.	220/25V	ケ ミ コ ン			
C823	AAx63460	Electrolytic Cap.	10/50V	ケ ミ コ ン			
C824	AAx63450	Ceramic Capacitor (chip)	0.1 25V Z	チ ッ プ セ ラ コ ン			
C825	AAx63470	Ceramic Capacitor (chip)	0.01 630V K	チ ッ プ セ ラ コ ン			
⚠	C826	Mylar Capacitor	0.22/275V	マ イ ラ コ ン			
C827	AAx63470	Ceramic Capacitor (chip)	0.01 630V K	チ ッ プ セ ラ コ ン			
C828	AAx63410	Electrolytic Cap.	1000/50V	ケ ミ コ ン			
C829	AAx63410	Electrolytic Cap.	1000/50V	ケ ミ コ ン			
C830	AAx34520	Mylar Capacitor	0.1 50V J	マ イ ラ コ ン			
⚠	C831	Ceramic Capacitor	1000P/250V	セ ラ コ ン	J,U,C,V		
⚠	C831	Ceramic Capacitor	470P/250V	セ ラ コ ン	A,H,B,K,O,W		
⚠	C832	Ceramic Capacitor	1000P/250V	セ ラ コ ン	J,U,C,V		
⚠	C832	Ceramic Capacitor	470P/250V	セ ラ コ ン	A,H,B,K,O,W		
C833	AAx63470	Ceramic Capacitor (chip)	0.01 630V K	チ ッ プ セ ラ コ ン			
C834	AAx63400	Electrolytic Cap.	47/25V	ケ ミ コ ン			
⚠	C835	Ceramic Capacitor	1000P/250V	セ ラ コ ン			
C836	AAx63450	Ceramic Capacitor (chip)	0.1 25V Z	チ ッ プ セ ラ コ ン			
⚠	C837	Mylar Capacitor	0.47/275V	マ イ ラ コ ン	J,U,C,V		
⚠	C837	Mylar Capacitor	0.22/275V	マ イ ラ コ ン	A,H,B,K,O,W		
C838	AAx62730	Ceramic Capacitor (chip)	0.01 50V K	チ ッ プ セ ラ コ ン			
C839	AAx63450	Ceramic Capacitor (chip)	0.1 25V Z	チ ッ プ セ ラ コ ン			
C840	AAx63470	Ceramic Capacitor (chip)	0.01 630V K	チ ッ プ セ ラ コ ン			
C841	AAx63400	Electrolytic Cap.	47/25V	ケ ミ コ ン			
C845	AAx62710	Ceramic Capacitor (chip)	1u 10V K	チ ッ プ セ ラ コ ン			
C847	AAx63500	Electrolytic Cap.	100/16V	ケ ミ コ ン			
C848	AAx63500	Electrolytic Cap.	100/16V	ケ ミ コ ン			
C911	AAx63400	Electrolytic Cap.	47/25V	ケ ミ コ ン			
-913	AAx63400	Electrolytic Cap.	47/25V	ケ ミ コ ン			
C997	AAx63020	Ceramic Capacitor (chip)	1000P K	チ ッ プ セ ラ コ ン			
C998	AAx69470	Electrolytic Cap.	220/16V	ケ ミ コ ン			

\*: New Parts

RANK: Japan only

STAGEPAS 300

REF NO.	PART NO.	DESCRIPTION	部 品 名	REMARKS	QTY	RANK
* C999	AA62730	Ceramic Capacitor (chip)	0.01 50V K	チ ッ プ セ ラ コ ン		
△ CN1	AA642460	Connector Base Post	2P B2B-EH	コ ネ ク タ 2 P		
△ CN2	AA610590	Connector Base Post	2P B2P3-VH	コ ネ ク タ 2 P		
△ CN3	AA642460	Connector Base Post	2P B2B-EH	コ ネ ク タ 2 P		
* CN4	AA63510	Connector Base Post	8P 53290-0810	コ ネ ク タ 8 P		
* CN5	AA63520	Connector Base Post	9P 53290-0910	コ ネ ク タ 9 P		
* CN6	AA63510	Connector Base Post	8P 53290-0810	コ ネ ク タ 8 P		
* CN7	AA63520	Connector Base Post	9P 53290-0910	コ ネ ク タ 9 P		
* CN9	AA612200	Connector Base Post	4P B4P-VH	コ ネ ク タ 4 P		
△ CN19	--	Connector Assembly	9P-100 EH-SCN	束 線 9 P L = 1 0 0	(AA6354)	
* D801	AA63550	Zener Diode	1ZB100 TPA(Q) T LF	ツ ェ ナ ー ダ イ オ ー ド		
* D802	AA63550	Zener Diode	1ZB100 TPA(Q) T LF	ツ ェ ナ ー ダ イ オ ー ド		
* D803	AA63560	Diode	1DL42A(TPA3) T	ダ イ オ ー ド		
* D804	AA63560	Diode	1DL42A(TPA3) T	ダ イ オ ー ド		
* D805	AA642550	Diode	1SS133 T-77	ダ イ オ ー ド		
* D806	AA63570	Diode Stack	RBV-404	ダ イ オ ー ド ス タ ッ ク		
* D807	AA63560	Diode	1DL42A(TPA3) T	ダ イ オ ー ド		
* D808	AA642550	Diode	1SS133 T-77	ダ イ オ ー ド		
* D809	AA63580	Diode Stack	10DL2CZ47A (-F) LF	ダ イ オ ー ド ス タ ッ ク		
* D810	AA63590	Zener Diode	MTZJ18B T-77	ツ ェ ナ ー ダ イ オ ー ド		
* D812	AA63590	Zener Diode	MTZJ18B T-77	ツ ェ ナ ー ダ イ オ ー ド		
* D813	AA63550	Zener Diode	1ZB100 TPA(Q) T LF	ツ ェ ナ ー ダ イ オ ー ド		
* D814	AA63560	Diode	1DL42A(TPA3) T	ダ イ オ ー ド		
* D815	AA642550	Diode	1SS133 T-77	ダ イ オ ー ド		
* D816	AA63550	Zener Diode	1ZB100 TPA(Q) T LF	ツ ェ ナ ー ダ イ オ ー ド		
* D817	AA63560	Diode	1DL42A(TPA3) T	ダ イ オ ー ド		
* D818	AA63560	Diode	1DL42A(TPA3) T	ダ イ オ ー ド		
* D819	AA63590	Zener Diode	MTZJ18B T-77	ツ ェ ナ ー ダ イ オ ー ド		
* D820	AA63590	Zener Diode	MTZJ18B T-77	ツ ェ ナ ー ダ イ オ ー ド		
* D821	AA642550	Diode	1SS133 T-77	ダ イ オ ー ド		
* D822	AA63580	Diode Stack	10DL2CZ47A (-F) LF	ダ イ オ ー ド ス タ ッ ク		
* D824	AA63600	Zener Diode	MTZJ10B T-77	ツ ェ ナ ー ダ イ オ ー ド		
* D825	AA63600	Zener Diode	MTZJ10B T-77	ツ ェ ナ ー ダ イ オ ー ド		
* D826	AA642550	Diode	1SS133 T-77	ダ イ オ ー ド		
* D828	AA642550	Diode	1SS133 T-77	ダ イ オ ー ド		
* D829	AA63560	Diode	1DL42A(TPA3) T	ダ イ オ ー ド		
* D830	AA63560	Diode	1DL42A(TPA3) T	ダ イ オ ー ド		
* D831	AA642550	Diode	1SS133 T-77	ダ イ オ ー ド		
* D832	AA642550	Diode	1SS133 T-77	ダ イ オ ー ド		
* D833	AA63550	Zener Diode	1ZB100 TPA(Q) T LF	ツ ェ ナ ー ダ イ オ ー ド		
* -840	AA63550	Zener Diode	1ZB100 TPA(Q) T LF	ツ ェ ナ ー ダ イ オ ー ド		
* D843	AA63560	Diode	1DL42A(TPA3) T	ダ イ オ ー ド		
* D844	AA63560	Diode	1DL42A(TPA3) T	ダ イ オ ー ド		
* D845	AA63590	Zener Diode	MTZJ18B T-77	ツ ェ ナ ー ダ イ オ ー ド		
* D846	AA642550	Diode	1SS133 T-77	ダ イ オ ー ド		
* D847	AA642550	Diode	1SS133 T-77	ダ イ オ ー ド		
* EP1	XX698880	Lug Terminal	MET37-0001	ラ グ 端 子		
* EP4	XX698880	Lug Terminal	MET37-0001	ラ グ 端 子		
* △ F1	AA63610	Fuse	6.3A 250V	ヒ ユ ー ズ	J,U,C,V	
* △ F1	AA63620	Fuse	T4AL 250V	ヒ ユ ー ズ	A,H,B,K,O,W	
* FB1	--	Ferrite Core	ZBF503M-00(TA)-TLF	フ ェ ラ イ ト コ ア	(AA6363)	
* IC801	AA63640	IC	KIA7815API-U/P	I C	REGULATOR +15V	
* IC802	AA63650	IC	TOP249YN LF	I C	Switching Controller	
* IC803	AA63660	IC	KIA7915PI-U/P	I C	REGULATOR -15V	
* IC804	AA63650	IC	TOP249YN LF	I C	Switching Controller	
* IC805	AA63670	IC	KIA78M05PI-U/P	I C	REGULATOR +5V	
* JP801	--	Jumper Wire	7.5mm	ジ ャ ン パ ー 線	J,U,C,V	
* L801	AA63680	Coil	SF-T8-50S-01 LF (72uH)	コ イ ル		
* -803	AA63680	Coil	SF-T8-50S-01 LF (72uH)	コ イ ル		
* △ L805	AA669570	Coil	TF3524B-702Y4R0-01	コ イ ル		
* △ L806	AA63690	Coil	TF2528S-402Y4R0-K1	コ イ ル		
* △ PC801	AA63700	PHC	TLP421 (D4)	P H C		
* △ -803	AA63700	PHC	TLP421 (D4)	P H C		
* Q801	AA645980	Transistor (chip)	2SC2412K QRS T146	ト ラ ン ジ ス タ		
* Q802	AA645980	Transistor (chip)	2SC2412K QRS T146	ト ラ ン ジ ス タ		
* Q803	AA63710	Transistor (chip)	2SA1037AK QRS T146	ト ラ ン ジ ス タ		
* Q804	AA645980	Transistor (chip)	2SC2412K QRS T146	ト ラ ン ジ ス タ		
* Q805	AA645980	Transistor (chip)	2SC2412K QRS T146	ト ラ ン ジ ス タ		
* Q806	AA651690	Transistor	KTC2026 YGR	ト ラ ン ジ ス タ		
* Q807	AA651690	Transistor	KTC2026 YGR	ト ラ ン ジ ス タ		

\*: New Parts

RANK: Japan only

REF NO.	PART NO.	DESCRIPTION	部 品 名	REMARKS	QTY	RANK
Q808	AAx45980	Transistor (chip)	2SC2412K QRS T146	ト ラ ン ジ ス タ		
Q809	AAx45980	Transistor (chip)	2SC2412K QRS T146	ト ラ ン ジ ス タ		
* Q810	AAx63710	Transistor (chip)	2SA1037AK QRS T146	ト ラ ン ジ ス タ		
Q811	AAx45980	Transistor (chip)	2SC2412K QRS T146	ト ラ ン ジ ス タ		
-813	AAx45980	Transistor (chip)	2SC2412K QRS T146	ト ラ ン ジ ス タ		
* Q814	AAx63720	Transistor (chip)	KRC102S-RTK/P T LF	ト ラ ン ジ ス タ		
* Q815	AAx63720	Transistor (chip)	KRC102S-RTK/P T LF	ト ラ ン ジ ス タ		
* Q816	AAx63710	Transistor (chip)	2SA1037AK QRS T146	ト ラ ン ジ ス タ		
Q817	AAx45980	Transistor (chip)	2SC2412K QRS T146	ト ラ ン ジ ス タ		
* Q818	AAx63710	Transistor (chip)	2SA1037AK QRS T146	ト ラ ン ジ ス タ		
Q819	AAx45980	Transistor (chip)	2SC2412K QRS T146	ト ラ ン ジ ス タ		
-821	AAx45980	Transistor (chip)	2SC2412K QRS T146	ト ラ ン ジ ス タ		
* Q822	AAx63720	Transistor (chip)	KRC102S-RTK/P T LF	ト ラ ン ジ ス タ		
* Q823	AAx63710	Transistor (chip)	2SA1037AK QRS T146	ト ラ ン ジ ス タ		
Q824	AAx45980	Transistor (chip)	2SC2412K QRS T146	ト ラ ン ジ ス タ		
Q825	AAx45980	Transistor (chip)	2SC2412K QRS T146	ト ラ ン ジ ス タ		
* R801	AAx63120	Carbon Resistor (chip)	1M J	チ ッ プ 抵 抗		
* R802	AAx63730	Metal Film Resistor	27K 1W J	金 属 被 膜 抵 抗		
* R803	AAx63120	Carbon Resistor (chip)	1M J	チ ッ プ 抵 抗		
* R804	AAx63740	Carbon Resistor	56 1/4W J	カ ー ボ ン 抵 抗		
* R805	AAx63730	Metal Film Resistor	27K 1W J	金 属 被 膜 抵 抗		
R807	AAx42650	Carbon Resistor	56K 1/4W J	カ ー ボ ン 抵 抗		
* R809	AAx63150	Carbon Resistor (chip)	10 J	チ ッ プ 抵 抗		
* R810	AAx63750	Carbon Resistor	33 1/4W J	カ ー ボ ン 抵 抗		
R811	AAx42720	Carbon Resistor	47K 1/4W J	カ ー ボ ン 抵 抗		
* R812	AAx63760	Carbon Resistor	39K 1/4W J	カ ー ボ ン 抵 抗		
* R814	AAx62840	Carbon Resistor (chip)	68K J	チ ッ プ 抵 抗		
* R815	AAx63150	Carbon Resistor (chip)	10 J	チ ッ プ 抵 抗		
R816	AAx68740	Carbon Resistor	680 1/4W J	カ ー ボ ン 抵 抗		
* R817	AAx63770	Carbon Resistor	820 1/4W J	カ ー ボ ン 抵 抗		
* R818	AAx63780	Metal Film Resistor	1.8K 2W J	金 属 被 膜 抵 抗		
* R819	AAx63790	Carbon Resistor (chip)	22K J	チ ッ プ 抵 抗		
* R820	AAx63800	Carbon Resistor (chip)	8.2K J	チ ッ プ 抵 抗		
* R821	AAx63810	Carbon Resistor (chip)	68 J	チ ッ プ 抵 抗		
R822	AAx42790	Carbon Resistor	100 1/4W J	カ ー ボ ン 抵 抗		
* R823	AAx62870	Carbon Resistor (chip)	5.6K J	チ ッ プ 抵 抗		
R824	AAx42650	Carbon Resistor	56K 1/4W J	カ ー ボ ン 抵 抗		
* R825	AAx62920	Carbon Resistor (chip)	100K J	チ ッ プ 抵 抗		
* R826	AAx62870	Carbon Resistor (chip)	5.6K J	チ ッ プ 抵 抗		
* R827	AAx62920	Carbon Resistor (chip)	100K J	チ ッ プ 抵 抗		
* R828	AAx62800	Carbon Resistor (chip)	47K J	チ ッ プ 抵 抗		
* R829	AAx63120	Carbon Resistor (chip)	1M J	チ ッ プ 抵 抗		
* R830	AAx63120	Carbon Resistor (chip)	1M J	チ ッ プ 抵 抗		
* R831	AAx63730	Metal Film Resistor	27K 1W J	金 属 被 膜 抵 抗		
* R832	AAx63730	Metal Film Resistor	27K 1W J	金 属 被 膜 抵 抗		
* R834	AAx63740	Carbon Resistor	56 1/4W J	カ ー ボ ン 抵 抗		
R835	AAx68740	Carbon Resistor	680 1/4W J	カ ー ボ ン 抵 抗		
* R836	AAx63780	Metal Film Resistor	1.8K 2W J	金 属 被 膜 抵 抗		
* R837	AAx63150	Carbon Resistor (chip)	10 J	チ ッ プ 抵 抗		
* R838	AAx63150	Carbon Resistor (chip)	10 J	チ ッ プ 抵 抗		
* R839	AAx63770	Carbon Resistor	820 1/4W J	カ ー ボ ン 抵 抗		
* R840	AAx63750	Carbon Resistor	33 1/4W J	カ ー ボ ン 抵 抗		
* R841	AAx63830	Solidr Resistor	3.3M 1/2U K	抵 抗		
* R842	AAx63830	Solidr Resistor	3.3M 1/2U K	抵 抗		
* R843	AAx62840	Carbon Resistor (chip)	68K J	チ ッ プ 抵 抗		
* R844	AAx63800	Carbon Resistor (chip)	8.2K J	チ ッ プ 抵 抗		
* R845	AAx63810	Carbon Resistor (chip)	68 J	チ ッ プ 抵 抗		
* R846	AAx63790	Carbon Resistor (chip)	22K J	チ ッ プ 抵 抗		
R847	AAx42610	Carbon Resistor	10K 1/4W J	カ ー ボ ン 抵 抗		
R848	AAx42610	Carbon Resistor	10K 1/4W J	カ ー ボ ン 抵 抗		
* R851	AAx63840	Metal Film Resistor	560 1W J	金 属 被 膜 抵 抗		
* R856	AAx63840	Metal Film Resistor	560 1W J	金 属 被 膜 抵 抗		
R857	AAx11950	Flame Proof C. Resistor	1 1/4W J (FS)	不 燃 化 カ ー ボ ン 抵 抗		
* R859	AAx63860	Metal Film Resistor	2.2K 1W J	金 属 被 膜 抵 抗		
* R860	AAx62920	Carbon Resistor (chip)	100K J	チ ッ プ 抵 抗		
* R861	AAx62920	Carbon Resistor (chip)	100K J	チ ッ プ 抵 抗		
* R863	AAx62880	Carbon Resistor (chip)	10K J	チ ッ プ 抵 抗		
* R864	AAx62920	Carbon Resistor (chip)	100K J	チ ッ プ 抵 抗		
* R865	AAx63820	Carbon Resistor (chip)	56K J	チ ッ プ 抵 抗		
* R867	AAx63120	Carbon Resistor (chip)	1M J	チ ッ プ 抵 抗		

\*: New Parts

RANK: Japan only

REF NO.	PART NO.	DESCRIPTION	部 品 名	REMARKS	QTY	RANK
* R868	AA63820	Carbon Resistor (chip)	56K J	チ ッ プ 抵 抗		
* R869	AA62810	Carbon Resistor (chip)	1K J	チ ッ プ 抵 抗		
* R870	AA62880	Carbon Resistor (chip)	10K J	チ ッ プ 抵 抗		
* R871	AA62880	Carbon Resistor (chip)	10K J	チ ッ プ 抵 抗		
* R872	AA63870	Carbon Resistor (chip)	560K J	チ ッ プ 抵 抗		
* R874	AA62880	Carbon Resistor (chip)	10K J	チ ッ プ 抵 抗		
* -876	AA62880	Carbon Resistor (chip)	10K J	チ ッ プ 抵 抗		
* R877	AA63790	Carbon Resistor (chip)	22K J	チ ッ プ 抵 抗		
R879	AA611950	Flame Proof C. Resistor	1 1/4W J (FS)	不 燃 化 カ ー ボ ン 抵 抗		
* R888	AA62880	Carbon Resistor (chip)	10K J	チ ッ プ 抵 抗		
* R889	AA62810	Carbon Resistor (chip)	1K J	チ ッ プ 抵 抗		
* R892	AA63790	Carbon Resistor (chip)	22K J	チ ッ プ 抵 抗		
* R893	AA63880	Carbon Resistor (chip)	4.7K J	チ ッ プ 抵 抗		
* R894	AA63790	Carbon Resistor (chip)	22K J	チ ッ プ 抵 抗		
* R895	AA63880	Carbon Resistor (chip)	4.7K J	チ ッ プ 抵 抗		
* R897	AA62810	Carbon Resistor (chip)	1K J	チ ッ プ 抵 抗		
* R898	AA62810	Carbon Resistor (chip)	1K J	チ ッ プ 抵 抗		
* R900	AA63880	Carbon Resistor (chip)	4.7K J	チ ッ プ 抵 抗		
* R901	AA63890	Metal Film Resistor	15 2W J	金 属 被 膜 抵 抗		
* R903	AA63740	Carbon Resistor	56 1/4W J	カ ー ボ ン 抵 抗		
* R904	AA63740	Carbon Resistor	56 1/4W J	カ ー ボ ン 抵 抗		
* R905	AA62880	Carbon Resistor (chip)	10K J	チ ッ プ 抵 抗		
* R906	AA62880	Carbon Resistor (chip)	10K J	チ ッ プ 抵 抗		
* R907	AA62800	Carbon Resistor (chip)	47K J	チ ッ プ 抵 抗		
* R908	AA62880	Carbon Resistor (chip)	10K J	チ ッ プ 抵 抗		
* R909	AA62880	Carbon Resistor (chip)	10K J	チ ッ プ 抵 抗		
* R910	AA62860	Carbon Resistor (chip)	150K J	チ ッ プ 抵 抗		
* R911	AA62880	Carbon Resistor (chip)	10K J	チ ッ プ 抵 抗		
* R912	AA642720	Carbon Resistor	47K 1/4W J	カ ー ボ ン 抵 抗		
* R913	AA62880	Carbon Resistor (chip)	10K J	チ ッ プ 抵 抗		
R914	AA642720	Carbon Resistor	47K 1/4W J	カ ー ボ ン 抵 抗		
R915	AA642720	Carbon Resistor	47K 1/4W J	カ ー ボ ン 抵 抗		
* R916	AA63820	Carbon Resistor (chip)	56K J	チ ッ プ 抵 抗		
* R917	AA62800	Carbon Resistor (chip)	47K J	チ ッ プ 抵 抗		
* R918	AA63150	Carbon Resistor (chip)	10 J	チ ッ プ 抵 抗		
* RY801	AA63900	Relay	PCJ-112D3M LF	リ レ		
* T1	AA63910	Power Transformer		電 源 ト ラ ン ス		
* T2	AA63910	Power Transformer		電 源 ト ラ ン ス		
* TH801	AA63920	Positive Thermistor	PTFM04BC471Q2N34B0	ボ ジ ス タ		
* TH802	AA63930	Positive Thermistor	NTPDD8R0LDHB0	ボ ジ ス タ		
* AAX61900	Circuit Board	VR	V R シ ー ト	(6469-40)		
* AAX63940	LED Holder		L E D ホ ル ダ ー			
* C111	AA63000	Ceramic Capacitor (chip)	100P 50V J	チ ッ プ セ ラ コ ン		
* C112	AA63950	Mylar Capacitor	0.039 50V J	マ イ ラ コ ン		
* C113	AA62720	Ceramic Capacitor (chip)	47P 50V J	チ ッ プ セ ラ コ ン		
* C114	AA63360	Electrolytic Cap.	10/50V	ケ ミ コ ン		
* C115	AA63960	Mylar Capacitor	820P 50V J	マ イ ラ コ ン		
* C116	AA63000	Ceramic Capacitor (chip)	100P 50V J	チ ッ プ セ ラ コ ン		
* C117	AA63360	Electrolytic Cap.	10/50V	ケ ミ コ ン		
* C119	AA63360	Electrolytic Cap.	10/50V	ケ ミ コ ン		
* C123	AA63360	Electrolytic Cap.	10/50V	ケ ミ コ ン		
C127	AA634520	Mylar Capacitor	0.1 50V J	マ イ ラ コ ン		
C128	AA634520	Mylar Capacitor	0.1 50V J	マ イ ラ コ ン		
* C131	AA63000	Ceramic Capacitor (chip)	100P 50V J	チ ッ プ セ ラ コ ン		
* C132	AA62720	Ceramic Capacitor (chip)	47P 50V J	チ ッ プ セ ラ コ ン		
* C146	AA62720	Ceramic Capacitor (chip)	47P 50V J	チ ッ プ セ ラ コ ン		
* C211	AA63000	Ceramic Capacitor (chip)	100P 50V J	チ ッ プ セ ラ コ ン		
* C212	AA63950	Mylar Capacitor	0.039 50V J	マ イ ラ コ ン		
* C213	AA62720	Ceramic Capacitor (chip)	47P 50V J	チ ッ プ セ ラ コ ン		
* C214	AA63360	Electrolytic Cap.	10/50V	ケ ミ コ ン		
* C215	AA63960	Mylar Capacitor	820P 50V J	マ イ ラ コ ン		
* C216	AA63000	Ceramic Capacitor (chip)	100P 50V J	チ ッ プ セ ラ コ ン		
* C217	AA63360	Electrolytic Cap.	10/50V	ケ ミ コ ン		
* C219	AA63360	Electrolytic Cap.	10/50V	ケ ミ コ ン		
* C223	AA63360	Electrolytic Cap.	10/50V	ケ ミ コ ン		
C227	AA634520	Mylar Capacitor	0.1 50V J	マ イ ラ コ ン		
C228	AA634520	Mylar Capacitor	0.1 50V J	マ イ ラ コ ン		
* C231	AA63000	Ceramic Capacitor (chip)	100P 50V J	チ ッ プ セ ラ コ ン		
* C232	AA62720	Ceramic Capacitor (chip)	47P 50V J	チ ッ プ セ ラ コ ン		

\*: New Parts

RANK: Japan only

REF NO.	PART NO.	DESCRIPTION		部 品 名	REMARKS	QTY	RANK
* C246	AA62720	Ceramic Capacitor (chip)	47P 50V J	チ ッ プ セ ラ コ ン			
* C311	AA63000	Ceramic Capacitor (chip)	100P 50V J	チ ッ プ セ ラ コ ン			
* C312	AA63950	Mylar Capacitor	0.039 50V J	マ イ ラ コ ン			
* C313	AA62720	Ceramic Capacitor (chip)	47P 50V J	チ ッ プ セ ラ コ ン			
* C314	AA63360	Electrolytic Cap.	10/50V	ケ ミ コ ン			
* C315	AA63960	Mylar Capacitor	820P 50V J	マ イ ラ コ ン			
* C316	AA63000	Ceramic Capacitor (chip)	100P 50V J	チ ッ プ セ ラ コ ン			
* C317	AA63360	Electrolytic Cap.	10/50V	ケ ミ コ ン			
* C346	AA62720	Ceramic Capacitor (chip)	47P 50V J	チ ッ プ セ ラ コ ン			
* C411	AA63000	Ceramic Capacitor (chip)	100P 50V J	チ ッ プ セ ラ コ ン			
* C412	AA63950	Mylar Capacitor	0.039 50V J	マ イ ラ コ ン			
* C413	AA62720	Ceramic Capacitor (chip)	47P 50V J	チ ッ プ セ ラ コ ン			
* C414	AA63360	Electrolytic Cap.	10/50V	ケ ミ コ ン			
* C415	AA63960	Mylar Capacitor	820P 50V J	マ イ ラ コ ン			
* C416	AA63000	Ceramic Capacitor (chip)	100P 50V J	チ ッ プ セ ラ コ ン			
* C417	AA63360	Electrolytic Cap.	10/50V	ケ ミ コ ン			
* C446	AA62720	Ceramic Capacitor (chip)	47P 50V J	チ ッ プ セ ラ コ ン			
* C502	AA63950	Mylar Capacitor	0.039 50V J	マ イ ラ コ ン			
* C503	AA62720	Ceramic Capacitor (chip)	47P 50V J	チ ッ プ セ ラ コ ン			
* C507	AA63360	Electrolytic Cap.	10/50V	ケ ミ コ ン			
* C508	AA63960	Mylar Capacitor	820P 50V J	マ イ ラ コ ン			
* C509	AA63000	Ceramic Capacitor (chip)	100P 50V J	チ ッ プ セ ラ コ ン			
* C510	AA63360	Electrolytic Cap.	10/50V	ケ ミ コ ン			
* C512	AA63360	Electrolytic Cap.	10/50V	ケ ミ コ ン			
* C513	AA63950	Mylar Capacitor	0.039 50V J	マ イ ラ コ ン			
* C514	AA62720	Ceramic Capacitor (chip)	47P 50V J	チ ッ プ セ ラ コ ン			
* C515	AA63360	Electrolytic Cap.	10/50V	ケ ミ コ ン			
* C517	AA63000	Ceramic Capacitor (chip)	100P 50V J	チ ッ プ セ ラ コ ン			
* C519	AA63960	Mylar Capacitor	820P 50V J	マ イ ラ コ ン			
* C520	AA63000	Ceramic Capacitor (chip)	100P 50V J	チ ッ プ セ ラ コ ン			
* C521	AA63000	Ceramic Capacitor (chip)	100P 50V J	チ ッ プ セ ラ コ ン			
* C523	AA62720	Ceramic Capacitor (chip)	47P 50V J	チ ッ プ セ ラ コ ン			
* C524	AA62720	Ceramic Capacitor (chip)	47P 50V J	チ ッ プ セ ラ コ ン			
* C604	AA62710	Ceramic Capacitor (chip)	1u 10V K	チ ッ プ セ ラ コ ン			
* C615	AA63360	Electrolytic Cap.	10/50V	ケ ミ コ ン			
* C616	AA63970	Electrolytic Cap.	4.7/50V	ケ ミ コ ン			
* C617	AA63970	Electrolytic Cap.	4.7/50V	ケ ミ コ ン			
* C702	AA63950	Mylar Capacitor	0.039 50V J	マ イ ラ コ ン			
* C703	AA62720	Ceramic Capacitor (chip)	47P 50V J	チ ッ プ セ ラ コ ン			
* C707	AA63360	Electrolytic Cap.	10/50V	ケ ミ コ ン			
* C708	AA63960	Mylar Capacitor	820P 50V J	マ イ ラ コ ン			
* C709	AA63000	Ceramic Capacitor (chip)	100P 50V J	チ ッ プ セ ラ コ ン			
* C710	AA63360	Electrolytic Cap.	10/50V	ケ ミ コ ン			
* C712	AA63360	Electrolytic Cap.	10/50V	ケ ミ コ ン			
* C713	AA63950	Mylar Capacitor	0.039 50V J	マ イ ラ コ ン			
* C714	AA62720	Ceramic Capacitor (chip)	47P 50V J	チ ッ プ セ ラ コ ン			
* C715	AA63360	Electrolytic Cap.	10/50V	ケ ミ コ ン			
* C717	AA63000	Ceramic Capacitor (chip)	100P 50V J	チ ッ プ セ ラ コ ン			
* C718	AA63000	Ceramic Capacitor (chip)	100P 50V J	チ ッ プ セ ラ コ ン			
* C719	AA63960	Mylar Capacitor	820P 50V J	マ イ ラ コ ン			
* C720	AA63000	Ceramic Capacitor (chip)	100P 50V J	チ ッ プ セ ラ コ ン			
* C723	AA62720	Ceramic Capacitor (chip)	47P 50V J	チ ッ プ セ ラ コ ン			
* C724	AA62720	Ceramic Capacitor (chip)	47P 50V J	チ ッ プ セ ラ コ ン			
* C843	AA62710	Ceramic Capacitor (chip)	1u 10V K	チ ッ プ セ ラ コ ン			
* C844	AA62710	Ceramic Capacitor (chip)	1u 10V K	チ ッ プ セ ラ コ ン			
* C857	AA62730	Ceramic Capacitor (chip)	0.01 50V K	チ ッ プ セ ラ コ ン			
* C860	AA62730	Ceramic Capacitor (chip)	0.01 50V K	チ ッ プ セ ラ コ ン			
* C868	AA62730	Ceramic Capacitor (chip)	0.01 50V K	チ ッ プ セ ラ コ ン			
* C869	AA62730	Ceramic Capacitor (chip)	0.01 50V K	チ ッ プ セ ラ コ ン			
* C871	AA62730	Ceramic Capacitor (chip)	0.01 50V K	チ ッ プ セ ラ コ ン			
* C872	AA62730	Ceramic Capacitor (chip)	0.01 50V K	チ ッ プ セ ラ コ ン			
* C877	AA62730	Ceramic Capacitor (chip)	0.01 50V K	チ ッ プ セ ラ コ ン			
* C878	AA62730	Ceramic Capacitor (chip)	0.01 50V K	チ ッ プ セ ラ コ ン			
* C888	AA62730	Ceramic Capacitor (chip)	0.01 50V K	チ ッ プ セ ラ コ ン			
* C890	AA62730	Ceramic Capacitor (chip)	0.01 50V K	チ ッ プ セ ラ コ ン			
* C900	AA62730	Ceramic Capacitor (chip)	0.01 50V K	チ ッ プ セ ラ コ ン			
* C902	AA62730	Ceramic Capacitor (chip)	0.01 50V K	チ ッ プ セ ラ コ ン			
* C906	AA62730	Ceramic Capacitor (chip)	0.01 50V K	チ ッ プ セ ラ コ ン			
* C907	AA63360	Electrolytic Cap.	10/50V	ケ ミ コ ン			
* C908	AA62730	Ceramic Capacitor (chip)	0.01 50V K	チ ッ プ セ ラ コ ン			

\*: New Parts

RANK: Japan only

REF NO.	PART NO.	DESCRIPTION	部 品 名	REMARKS	QTY	RANK
* C909	AA63360	Electrolytic Cap.	10/50V	ケ ミ コ ン		
* C915	AA63030	Ceramic Capacitor (chip)	4.7/25V	チ ッ プ セ ラ コ ン		
* C916	AA63030	Ceramic Capacitor (chip)	4.7/25V	チ ッ プ セ ラ コ ン		
* C921	AA63030	Ceramic Capacitor (chip)	4.7/25V	チ ッ プ セ ラ コ ン		
* -924	AA63030	Ceramic Capacitor (chip)	4.7/25V	チ ッ プ セ ラ コ ン		
* C931	AA63030	Ceramic Capacitor (chip)	4.7/25V	チ ッ プ セ ラ コ ン		
* C932	AA63030	Ceramic Capacitor (chip)	4.7/25V	チ ッ プ セ ラ コ ン		
* C935	AA63030	Ceramic Capacitor (chip)	4.7/25V	チ ッ プ セ ラ コ ン		
* C936	AA63030	Ceramic Capacitor (chip)	4.7/25V	チ ッ プ セ ラ コ ン		
* CN21	AA63980	Connector Base Post	10P SHD106-1002A06	コ ネ ク タ 1 0 P		
* CN24	AA63990	Connector Base Post	9P B9B-EH	コ ネ ク タ 9 P		
* CN26	AA63980	Connector Base Post	10P SHD106-1002A06	コ ネ ク タ 1 0 P		
* CN27	AA63510	Connector Base Post	8P 53290-0810	コ ネ ク タ 8 P		
* CN31	AA63510	Connector Base Post	8P 53290-0810	コ ネ ク タ 8 P		
* D101	AA64000	LED Green	SEL6410E D LF	L E D 緑	REVERB (CH 1)	
* D102	AA69580	LED Green	SEL6710K D LF	L E D 緑	SPEECH/MUSIC	
* D201	AA64000	LED Green	SEL6410E D LF	L E D 緑	REVERB (CH 2)	
* D301	AA64000	LED Green	SEL6410E D LF	L E D 緑	REVERB (CH 3)	
* D402	AA64000	LED Green	SEL6410E D LF	L E D 緑	REVERB (CH 4)	
* D601	AA64010	LED Red	SEL6210R D LF	L E D 赤	LIMITER	
* D602	AA64020	LED Yellow	SEL6710Y D LF	L E D 黄	+6	
* D603	AA64020	LED Yellow	SEL6710Y D LF	L E D 黄	+3	
* D604	AA64020	LED Yellow	SEL6710Y D LF	L E D 黄	0	
* D605	AA64030	LED Green	SEL6410G D LF	L E D 緑	-6	
* D606	AA64030	LED Green	SEL6410G D LF	L E D 緑	-20	
* D607	AA64030	LED Green	SEL6410G D LF	L E D 緑	POWER	
* D998	AA64090	Carbon Resistor (chip)	0.00 J	チ ッ プ 抵 抗		
* D999	AA64090	Carbon Resistor (chip)	0.00 J	チ ッ プ 抵 抗		
* IC102	AA62750	IC (chip)	NJM2068M-D TE1	I C	OP AMP	
* IC105	AA62750	IC (chip)	NJM2068M-D TE1	I C	OP AMP	
* IC106	AA62750	IC (chip)	NJM2068M-D TE1	I C	OP AMP	
* IC202	AA62750	IC (chip)	NJM2068M-D TE1	I C	OP AMP	
* IC203	AA62750	IC (chip)	NJM2068M-D TE1	I C	OP AMP	
* IC302	AA62750	IC (chip)	NJM2068M-D TE1	I C	OP AMP	
* IC402	AA62750	IC (chip)	NJM2068M-D TE1	I C	OP AMP	
* IC502	AA62750	IC (chip)	NJM2068M-D TE1	I C	OP AMP	
* IC503	AA62750	IC (chip)	NJM2068M-D TE1	I C	OP AMP	
* IC604	AA68710	IC	LB1407-E LF	I C	Level Meter	
* IC702	AA62750	IC (chip)	NJM2068M-D TE1	I C	OP AMP	
* IC703	AA62750	IC (chip)	NJM2068M-D TE1	I C	OP AMP	
Q601	AA645980	Transistor (chip)	2SC2412K QRS T146	ト ラ ン ジ ス タ		
* R124	AA62880	Carbon Resistor (chip)	10K J	チ ッ プ 抵 抗		
* R125	AA62880	Carbon Resistor (chip)	10K J	チ ッ プ 抵 抗		
* R126	AA62780	Carbon Resistor (chip)	33K J	チ ッ プ 抵 抗		
* R127	AA62880	Carbon Resistor (chip)	10K J	チ ッ プ 抵 抗		
* R128	AA62810	Carbon Resistor (chip)	1K J	チ ッ プ 抵 抗		
* R129	AA62880	Carbon Resistor (chip)	10K J	チ ッ プ 抵 抗		
* R130	AA63880	Carbon Resistor (chip)	4.7K J	チ ッ プ 抵 抗		
* R131	AA62870	Carbon Resistor (chip)	5.6K J	チ ッ プ 抵 抗		
* R132	AA62880	Carbon Resistor (chip)	10K J	チ ッ プ 抵 抗		
* R133	AA63130	Carbon Resistor (chip)	3.9K J	チ ッ プ 抵 抗		
* R134	AA62800	Carbon Resistor (chip)	47K J	チ ッ プ 抵 抗		
* R135	AA64050	Carbon Resistor (chip)	330 J	チ ッ プ 抵 抗		
* R137	AA62880	Carbon Resistor (chip)	10K J	チ ッ プ 抵 抗		
* R138	AA62810	Carbon Resistor (chip)	1K J	チ ッ プ 抵 抗		
* R139	AA62880	Carbon Resistor (chip)	10K J	チ ッ プ 抵 抗		
* R142	AA64050	Carbon Resistor (chip)	330 J	チ ッ プ 抵 抗		
* R143	AA63880	Carbon Resistor (chip)	4.7K J	チ ッ プ 抵 抗		
* R156	AA62880	Carbon Resistor (chip)	10K J	チ ッ プ 抵 抗		
* R157	AA64060	Carbon Resistor (chip)	27K J	チ ッ プ 抵 抗		
* R163	AA62910	Carbon Resistor (chip)	15K J	チ ッ プ 抵 抗		
* R165	AA63790	Carbon Resistor (chip)	22K J	チ ッ プ 抵 抗		
* R167	AA64070	Carbon Resistor (chip)	12K J	チ ッ プ 抵 抗		
* R168	AA62800	Carbon Resistor (chip)	47K J	チ ッ プ 抵 抗		
* R169	AA62910	Carbon Resistor (chip)	15K J	チ ッ プ 抵 抗		
* R171	AA62920	Carbon Resistor (chip)	100K J	チ ッ プ 抵 抗		
* R172	AA62810	Carbon Resistor (chip)	1K J	チ ッ プ 抵 抗		
* R173	AA62810	Carbon Resistor (chip)	1K J	チ ッ プ 抵 抗		
* R224	AA62880	Carbon Resistor (chip)	10K J	チ ッ プ 抵 抗		
* R225	AA62880	Carbon Resistor (chip)	10K J	チ ッ プ 抵 抗		

\*: New Parts

RANK: Japan only

REF NO.	PART NO.	DESCRIPTION		部	品	名	REMARKS	QTY	RANK
* R226	AAx62780	Carbon Resistor (chip)	33K J	チ	ッ	ブ 抵 抗			
* R227	AAx62880	Carbon Resistor (chip)	10K J	チ	ッ	ブ 抵 抗			
* R228	AAx62810	Carbon Resistor (chip)	1K J	チ	ッ	ブ 抵 抗			
* R229	AAx62880	Carbon Resistor (chip)	10K J	チ	ッ	ブ 抵 抗			
* R230	AAx63880	Carbon Resistor (chip)	4.7K J	チ	ッ	ブ 抵 抗			
* R231	AAx62870	Carbon Resistor (chip)	5.6K J	チ	ッ	ブ 抵 抗			
* R232	AAx62880	Carbon Resistor (chip)	10K J	チ	ッ	ブ 抵 抗			
* R233	AAx63130	Carbon Resistor (chip)	3.9K J	チ	ッ	ブ 抵 抗			
* R234	AAx62800	Carbon Resistor (chip)	47K J	チ	ッ	ブ 抵 抗			
* R235	AAx64050	Carbon Resistor (chip)	330 J	チ	ッ	ブ 抵 抗			
* R237	AAx62880	Carbon Resistor (chip)	10K J	チ	ッ	ブ 抵 抗			
* R239	AAx62880	Carbon Resistor (chip)	10K J	チ	ッ	ブ 抵 抗			
* R243	AAx63880	Carbon Resistor (chip)	4.7K J	チ	ッ	ブ 抵 抗			
* R256	AAx62880	Carbon Resistor (chip)	10K J	チ	ッ	ブ 抵 抗			
* R257	AAx64060	Carbon Resistor (chip)	27K J	チ	ッ	ブ 抵 抗			
* R263	AAx62910	Carbon Resistor (chip)	15K J	チ	ッ	ブ 抵 抗			
* R265	AAx63790	Carbon Resistor (chip)	22K J	チ	ッ	ブ 抵 抗			
* R267	AAx64070	Carbon Resistor (chip)	12K J	チ	ッ	ブ 抵 抗			
* R268	AAx62800	Carbon Resistor (chip)	47K J	チ	ッ	ブ 抵 抗			
* R269	AAx62910	Carbon Resistor (chip)	15K J	チ	ッ	ブ 抵 抗			
* R271	AAx62920	Carbon Resistor (chip)	100K J	チ	ッ	ブ 抵 抗			
* R272	AAx62810	Carbon Resistor (chip)	1K J	チ	ッ	ブ 抵 抗			
* R324	AAx62880	Carbon Resistor (chip)	10K J	チ	ッ	ブ 抵 抗			
* R325	AAx62880	Carbon Resistor (chip)	10K J	チ	ッ	ブ 抵 抗			
* R326	AAx62780	Carbon Resistor (chip)	33K J	チ	ッ	ブ 抵 抗			
* R327	AAx62880	Carbon Resistor (chip)	10K J	チ	ッ	ブ 抵 抗			
* R328	AAx62810	Carbon Resistor (chip)	1K J	チ	ッ	ブ 抵 抗			
* R329	AAx62880	Carbon Resistor (chip)	10K J	チ	ッ	ブ 抵 抗			
* R330	AAx63880	Carbon Resistor (chip)	4.7K J	チ	ッ	ブ 抵 抗			
* R331	AAx62870	Carbon Resistor (chip)	5.6K J	チ	ッ	ブ 抵 抗			
* R332	AAx62880	Carbon Resistor (chip)	10K J	チ	ッ	ブ 抵 抗			
* R333	AAx63130	Carbon Resistor (chip)	3.9K J	チ	ッ	ブ 抵 抗			
* R334	AAx62800	Carbon Resistor (chip)	47K J	チ	ッ	ブ 抵 抗			
* R335	AAx64050	Carbon Resistor (chip)	330 J	チ	ッ	ブ 抵 抗			
* R372	AAx62810	Carbon Resistor (chip)	1K J	チ	ッ	ブ 抵 抗			
* R424	AAx62880	Carbon Resistor (chip)	10K J	チ	ッ	ブ 抵 抗			
* R425	AAx62880	Carbon Resistor (chip)	10K J	チ	ッ	ブ 抵 抗			
* R426	AAx62780	Carbon Resistor (chip)	33K J	チ	ッ	ブ 抵 抗			
* R427	AAx62880	Carbon Resistor (chip)	10K J	チ	ッ	ブ 抵 抗			
* R428	AAx62810	Carbon Resistor (chip)	1K J	チ	ッ	ブ 抵 抗			
* R429	AAx62880	Carbon Resistor (chip)	10K J	チ	ッ	ブ 抵 抗			
* R430	AAx63880	Carbon Resistor (chip)	4.7K J	チ	ッ	ブ 抵 抗			
* R431	AAx62870	Carbon Resistor (chip)	5.6K J	チ	ッ	ブ 抵 抗			
* R432	AAx62880	Carbon Resistor (chip)	10K J	チ	ッ	ブ 抵 抗			
* R433	AAx63130	Carbon Resistor (chip)	3.9K J	チ	ッ	ブ 抵 抗			
* R434	AAx62800	Carbon Resistor (chip)	47K J	チ	ッ	ブ 抵 抗			
* R435	AAx64050	Carbon Resistor (chip)	330 J	チ	ッ	ブ 抵 抗			
* R472	AAx62810	Carbon Resistor (chip)	1K J	チ	ッ	ブ 抵 抗			
* R501	AAx62880	Carbon Resistor (chip)	10K J	チ	ッ	ブ 抵 抗			
* R502	AAx62780	Carbon Resistor (chip)	33K J	チ	ッ	ブ 抵 抗			
* R503	AAx62880	Carbon Resistor (chip)	10K J	チ	ッ	ブ 抵 抗			
* R509	AAx63880	Carbon Resistor (chip)	4.7K J	チ	ッ	ブ 抵 抗			
* R510	AAx62870	Carbon Resistor (chip)	5.6K J	チ	ッ	ブ 抵 抗			
* R511	AAx62880	Carbon Resistor (chip)	10K J	チ	ッ	ブ 抵 抗			
* R512	AAx63130	Carbon Resistor (chip)	3.9K J	チ	ッ	ブ 抵 抗			
* R513	AAx62800	Carbon Resistor (chip)	47K J	チ	ッ	ブ 抵 抗			
* R514	AAx62880	Carbon Resistor (chip)	10K J	チ	ッ	ブ 抵 抗			
* R515	AAx62780	Carbon Resistor (chip)	33K J	チ	ッ	ブ 抵 抗			
* R516	AAx62880	Carbon Resistor (chip)	10K J	チ	ッ	ブ 抵 抗			
* R522	AAx63880	Carbon Resistor (chip)	4.7K J	チ	ッ	ブ 抵 抗			
* R523	AAx62870	Carbon Resistor (chip)	5.6K J	チ	ッ	ブ 抵 抗			
* R524	AAx62880	Carbon Resistor (chip)	10K J	チ	ッ	ブ 抵 抗			
* R525	AAx63130	Carbon Resistor (chip)	3.9K J	チ	ッ	ブ 抵 抗			
* R526	AAx62800	Carbon Resistor (chip)	47K J	チ	ッ	ブ 抵 抗			
* R527	AAx62880	Carbon Resistor (chip)	10K J	チ	ッ	ブ 抵 抗			
* R528	AAx62880	Carbon Resistor (chip)	10K J	チ	ッ	ブ 抵 抗			
* R612	AAx64080	Carbon Resistor (chip)	680 J	チ	ッ	ブ 抵 抗			
* R623	AAx62880	Carbon Resistor (chip)	10K J	チ	ッ	ブ 抵 抗			
* R624	AAx62920	Carbon Resistor (chip)	100K J	チ	ッ	ブ 抵 抗			
* R626	AAx62810	Carbon Resistor (chip)	1K J	チ	ッ	ブ 抵 抗			

\*: New Parts

RANK: Japan only

REF NO.	PART NO.	DESCRIPTION	部 品 名	REMARKS	QTY	RANK
* R629	AA62880	Carbon Resistor (chip)	10K J	チ ッ ブ 抵 抗		
* R630	AA62880	Carbon Resistor (chip)	10K J	チ ッ ブ 抵 抗		
* R632	AA62910	Carbon Resistor (chip)	15K J	チ ッ ブ 抵 抗		
* R633	AA63160	Carbon Resistor (chip)	120K J	チ ッ ブ 抵 抗		
* R634	AA62810	Carbon Resistor (chip)	1K J	チ ッ ブ 抵 抗		
* -637	AA62810	Carbon Resistor (chip)	1K J	チ ッ ブ 抵 抗		
* R638	AA62880	Carbon Resistor (chip)	10K J	チ ッ ブ 抵 抗		
* R701	AA62880	Carbon Resistor (chip)	10K J	チ ッ ブ 抵 抗		
* R702	AA62780	Carbon Resistor (chip)	33K J	チ ッ ブ 抵 抗		
* R703	AA62880	Carbon Resistor (chip)	10K J	チ ッ ブ 抵 抗		
* R709	AA63880	Carbon Resistor (chip)	4.7K J	チ ッ ブ 抵 抗		
* R710	AA62870	Carbon Resistor (chip)	5.6K J	チ ッ ブ 抵 抗		
* R711	AA62880	Carbon Resistor (chip)	10K J	チ ッ ブ 抵 抗		
* R712	AA63130	Carbon Resistor (chip)	3.9K J	チ ッ ブ 抵 抗		
* R713	AA62800	Carbon Resistor (chip)	47K J	チ ッ ブ 抵 抗		
* R714	AA62880	Carbon Resistor (chip)	10K J	チ ッ ブ 抵 抗		
* R715	AA62780	Carbon Resistor (chip)	33K J	チ ッ ブ 抵 抗		
* R716	AA62880	Carbon Resistor (chip)	10K J	チ ッ ブ 抵 抗		
* R722	AA63880	Carbon Resistor (chip)	4.7K J	チ ッ ブ 抵 抗		
* R723	AA62870	Carbon Resistor (chip)	5.6K J	チ ッ ブ 抵 抗		
* R724	AA62880	Carbon Resistor (chip)	10K J	チ ッ ブ 抵 抗		
* R725	AA63130	Carbon Resistor (chip)	3.9K J	チ ッ ブ 抵 抗		
* R726	AA62800	Carbon Resistor (chip)	47K J	チ ッ ブ 抵 抗		
* R727	AA62880	Carbon Resistor (chip)	10K J	チ ッ ブ 抵 抗		
* R728	AA62880	Carbon Resistor (chip)	10K J	チ ッ ブ 抵 抗		
* R858	AA63790	Carbon Resistor (chip)	22K J	チ ッ ブ 抵 抗		
* R862	AA63790	Carbon Resistor (chip)	22K J	チ ッ ブ 抵 抗		
* R880	AA64090	Carbon Resistor (chip)	0.00 J	チ ッ ブ 抵 抗		
* R883	AA62810	Carbon Resistor (chip)	1K J	チ ッ ブ 抵 抗		
* -887	AA62810	Carbon Resistor (chip)	1K J	チ ッ ブ 抵 抗		
* R890	AA64100	Carbon Resistor (chip)	1.2K J	チ ッ ブ 抵 抗		
* R891	AA64100	Carbon Resistor (chip)	1.2K J	チ ッ ブ 抵 抗		
* S102	AA63180	Push Switch	PS-22E85-L5.2 LF	ブ ッ シ ュ ス イ ッ チ	REVERB (CH 1)	
* S103	AA64110	Push Switch	PS-42E85L LF	ブ ッ シ ュ ス イ ッ チ	SPEECH/MUSIC	
* S202	AA63180	Push Switch	PS-22E85-L5.2 LF	ブ ッ シ ュ ス イ ッ チ	REVERB (CH 2)	
* S302	AA63180	Push Switch	PS-22E85-L5.2 LF	ブ ッ シ ュ ス イ ッ チ	REVERB (CH 3)	
* S402	AA63180	Push Switch	PS-22E85-L5.2 LF	ブ ッ シ ュ ス イ ッ チ	REVERB (CH 4)	
* VR101	AA64120	Rotary Variable Resistor	1B50KCC 50KB LF	ボ リ ウ ム	LOW (CH 1)	
* VR102	AA64120	Rotary Variable Resistor	1B50KCC 50KB LF	ボ リ ウ ム	HIGH (CH 1)	
* VR103	AA64130	Rotary Variable Resistor	15A20K 20KA LF	ボ リ ウ ム	LEVEL (CH 1)	
* VR104	AA64140	Rotary Variable Resistor	1B50K 50KBx2 LF	ボ リ ウ ム	MONITOR OUT	
* VR105	AA64140	Rotary Variable Resistor	1B50K 50KBx2 LF	ボ リ ウ ム	LEVEL (MASTER)	
* VR201	AA64120	Rotary Variable Resistor	1B50KCC 50KB LF	ボ リ ウ ム	LOW (CH 2)	
* VR202	AA64120	Rotary Variable Resistor	1B50KCC 50KB LF	ボ リ ウ ム	HIGH (CH 2)	
* VR203	AA64130	Rotary Variable Resistor	15A20K 20KA LF	ボ リ ウ ム	LEVEL (CH 2)	
* VR301	AA64120	Rotary Variable Resistor	1B50KCC 50KB LF	ボ リ ウ ム	LOW (CH 3)	
* VR302	AA64120	Rotary Variable Resistor	1B50KCC 50KB LF	ボ リ ウ ム	HIGH (CH 3)	
* VR303	AA64130	Rotary Variable Resistor	15A20K 20KA LF	ボ リ ウ ム	LEVEL (CH 3)	
* VR401	AA64120	Rotary Variable Resistor	1B50KCC 50KB LF	ボ リ ウ ム	LOW (CH 4)	
* VR402	AA64120	Rotary Variable Resistor	1B50KCC 50KB LF	ボ リ ウ ム	HIGH (CH 4)	
* VR403	AA64130	Rotary Variable Resistor	15A20K 20KA LF	ボ リ ウ ム	LEVEL (CH 4)	
* VR501	AA64160	Rotary Variable Resistor	1B50KCC 50KBx2 LF	ボ リ ウ ム	LOW (CH 5/6)	
* VR502	AA64160	Rotary Variable Resistor	1B50KCC 50KBx2 LF	ボ リ ウ ム	HIGH (CH 5/6)	
* VR503	AA64150	Rotary Variable Resistor	15A20K 20KAx2 LF	ボ リ ウ ム	LEVEL (CH 5/6)	
* VR601	AA64130	Rotary Variable Resistor	15A20K 20KA LF	ボ リ ウ ム	REVERB (CH 1-4)	
* VR701	AA64160	Rotary Variable Resistor	1B50KCC 50KBx2 LF	ボ リ ウ ム	LOW (CH 7/8)	
* VR702	AA64160	Rotary Variable Resistor	1B50KCC 50KBx2 LF	ボ リ ウ ム	HIGH (CH 7/8)	
* VR703	AA64150	Rotary Variable Resistor	15A20K 20KAx2 LF	ボ リ ウ ム	LEVEL (CH 7/8)	
* AAX61620	Speaker HF			ス ピ ー カ H F	TWEETER	2
* AAX61650	Speaker LF			ス ピ ー カ L F	WOOFER	2
△*	AA61850	AC Inlet	M1910-C LF	A C イ ン レ ッ ト	AC IN	
△*	AA61860	Switch	JW-M12RKK	シ ー ソ ー S W	POWER ON/OFF	
△*	AA62070	Power Amplifier Unit	100W UCD-S200	パ ワ ー ア ン プ ユ ニ ッ ト		2
* AAX62020	Fan	5010L12S NF2 LF		フ ァ ン		
* AAX62040	Fan	4010L12S ND2 LF		フ ァ ン		

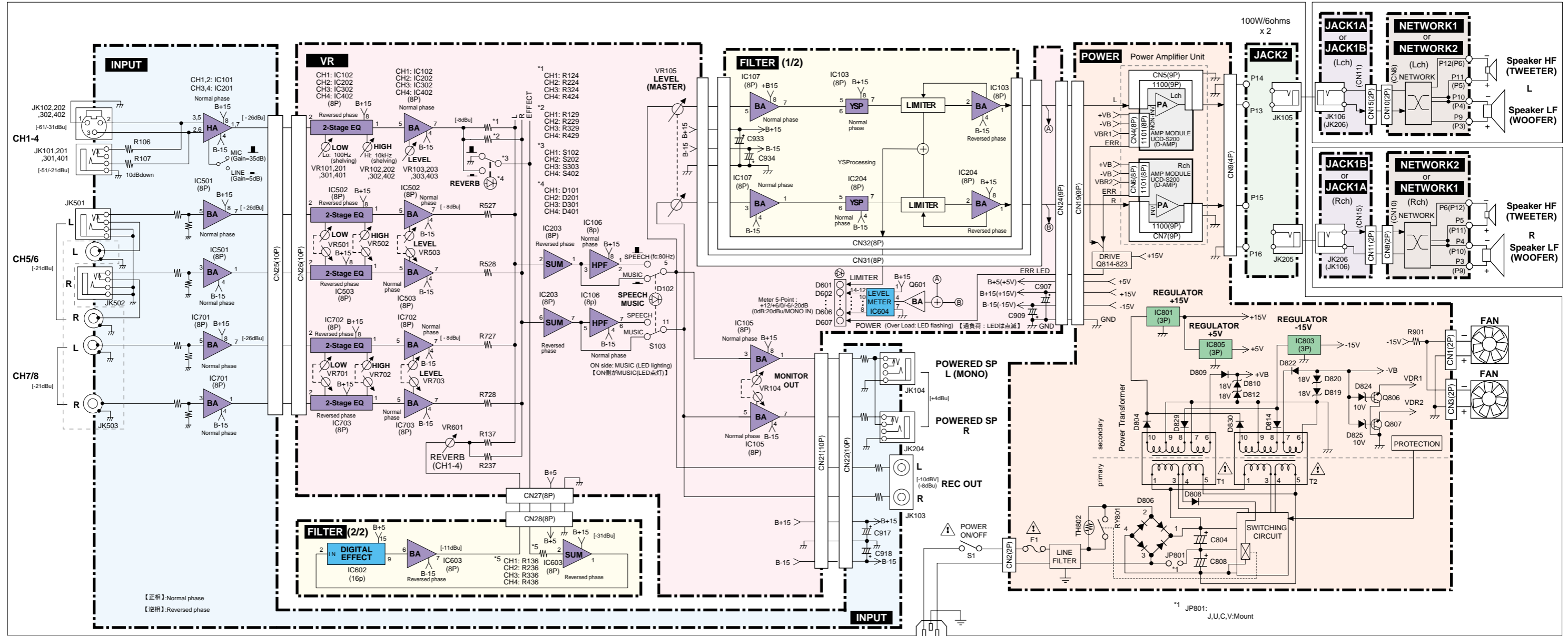
\*: New Parts

RANK: Japan only



# STAGEPAS 300 BLOCK DIAGRAM(ブロックダイアグラム)

# STAGEPAS 300

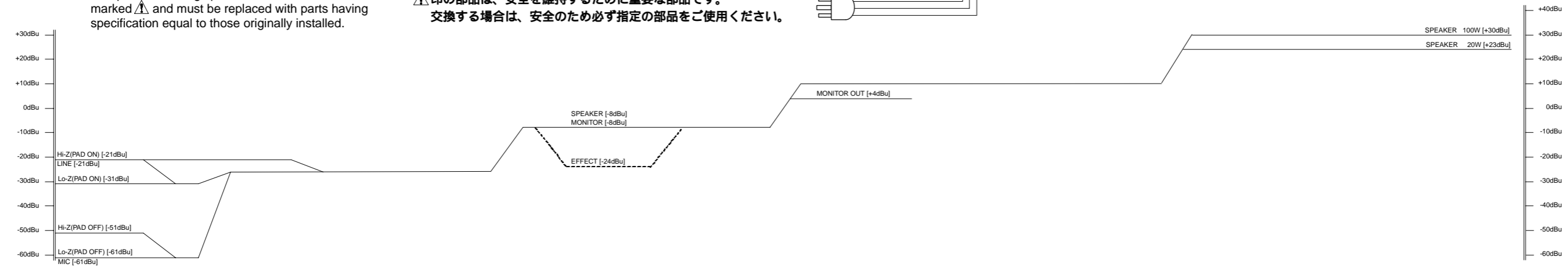


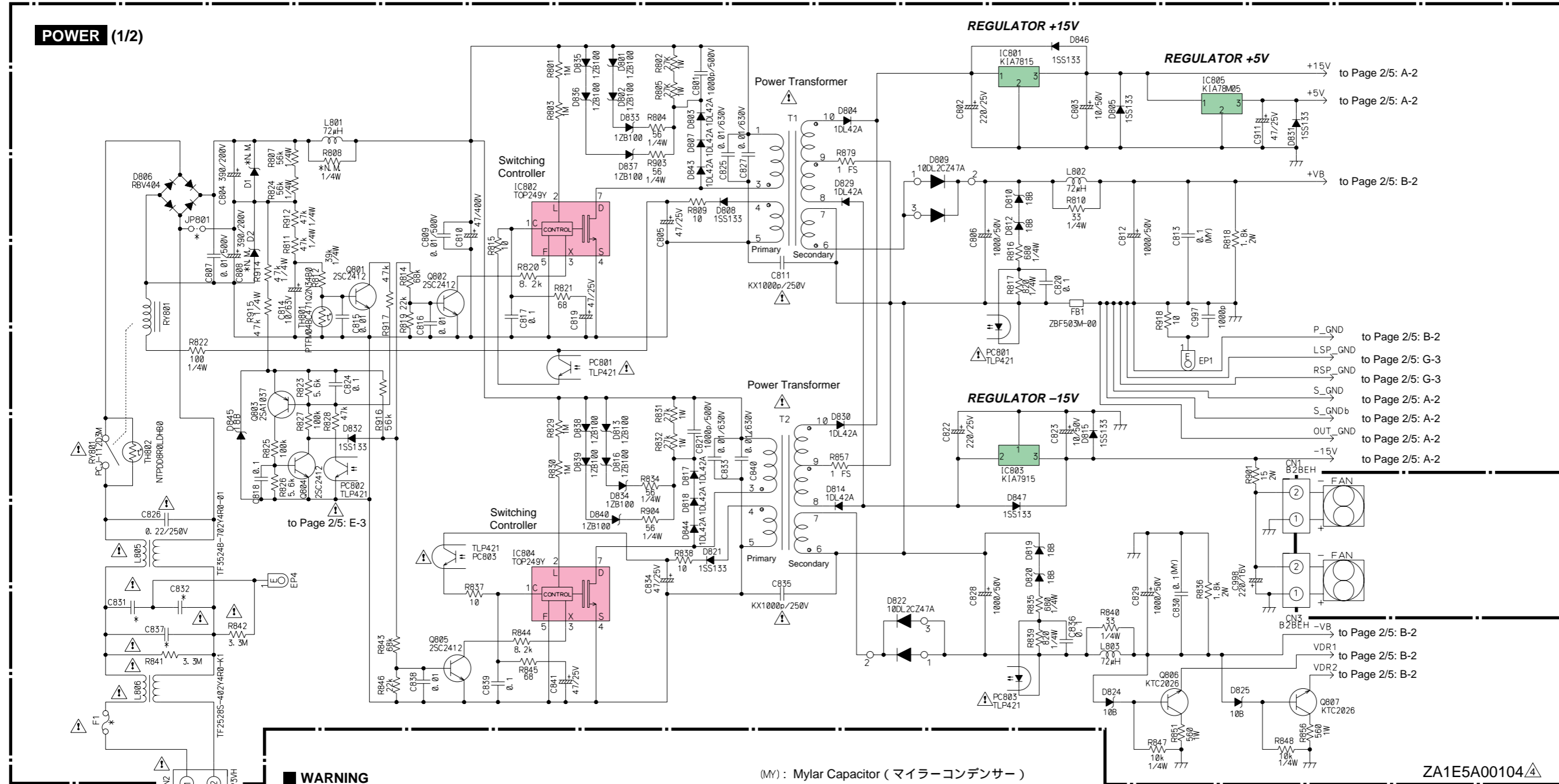
### WARNING

Components having special characteristics are marked and must be replaced with parts having specification equal to those originally installed.

### 安全上の注意

印の部品は、安全を維持するために重要な部品です。交換する場合は、安全のため必ず指定の部品をご使用ください。





**WARNING**  
Components having special characteristics are marked and must be replaced with parts having specification equal to those originally installed.

**安全上の注意**  
 印の部品は、安全を維持するために重要な部品です。交換する場合は、安全のため必ず指定の部品をご使用ください。

(MY) : Mylar Capacitor (マイラーコンデンサー)  
FS : Flame Proof C. Resistor (不燃化カーボン抵抗)  
\*N. M. : not installed (未実装)

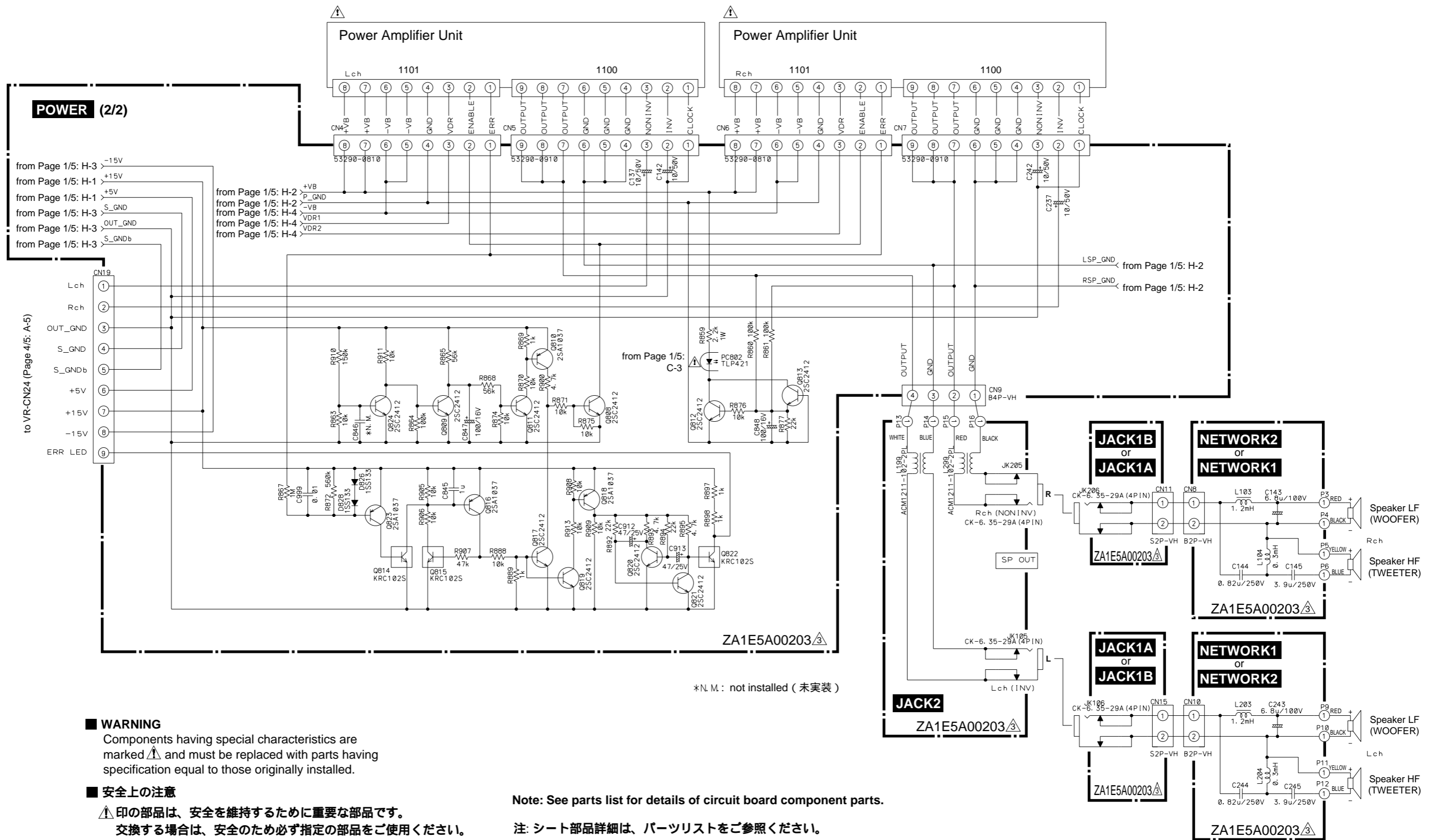
ZA1E5A00104

\* Destination

Destination	AC Cord	F1	JP801	C831, 832	C837	Power Supply
J	AAX68580	6.3A 125V	Mount	KX1000p/250V	0.47uF/250V	AC100V 50/60Hz
U, C	AAX68590	6.3A 125V	Mount	KX1000p/250V	0.47uF/250V	AC120V 60Hz
V	AAX68590	6.3A 125V	Mount	KX1000p/250V	0.47uF/250V	AC120V 60Hz
A	AAX68600	T4AH 250V	Non	KX470p/250V	0.22F/250V	AC240V 50Hz
B	AAX68610	T4AH 250V	Non	KX470p/250V	0.22F/250V	AC230V 50Hz
H	AAX68600	T4AH 250V	Non	KX470p/250V	0.22F/250V	AC230V 50Hz
W	AAX68600	T4AH 250V	Non	KX470p/250V	0.22F/250V	AC230V 50Hz
K	AAX68600	T4AH 250V	Non	KX470p/250V	0.22F/250V	AC220V 60Hz
O	AAX69560	T4AH 250V	Non	KX470p/250V	0.22F/250V	AC220V 60Hz

<p>•RBV-404 (AAX63570) DIODE STACK 4.0A 400V POWER: D806</p>	<p>•10DL2CZ47A (AAX63580) DIODE STACK 10A 200V POWER: D809,822</p>	<p>•KIA7815API (AAX63640) REGULATOR +15V POWER: IC801</p>	<p>•KIA7915PI (AAX63660) REGULATOR -15V POWER: IC803</p>	<p>•KIA78M05PI (AAX63670) REGULATOR +5V POWER: IC805</p>
--	--	---	--	--

Note: See parts list for details of circuit board component parts.  
注: シート部品詳細は、パーツリストをご参照ください。



**WARNING**  
Components having special characteristics are marked and must be replaced with parts having specification equal to those originally installed.

**安全上の注意**  
 印の部品は、安全を維持するために重要な部品です。交換する場合は、安全のため必ず指定の部品をご使用ください。

**Note:** See parts list for details of circuit board component parts.  
注: シート部品詳細は、パーツリストをご参照ください。

\*N. M.: not installed (未実装)

A B C D E F G H I

STAGEPAS 300 CIRCUIT DIAGRAM 3/5 (INPUT)

STAGEPAS 300

1  
2  
3  
4  
5  
6

The diagram illustrates the input and processing stages of the STAGEPAS 300. It features four input channels (CH1-CH4) and two output channels (CH5/6 and CH7/8). Each channel includes a microphone (MIC) and line input section, followed by a pre-amplifier stage using NJM2068M OP AMPs. The output stages are powered and include a Zener diode (Z1) and a Zener diode (Z2) for protection. The diagram also shows the power supply section with +15V and -15V rails, and various passive components like resistors (R), capacitors (C), and inductors (L). The input connectors are labeled CH1, CH2, CH3, CH4, CH5/6, and CH7/8. The output connectors are labeled REC OUT, POWERED SP L (MONO), and POWERED SP R. The diagram is divided into sections A through I, and the input section is labeled 'INPUT'.

to VR-CN26  
(Page 4/5: A-2)

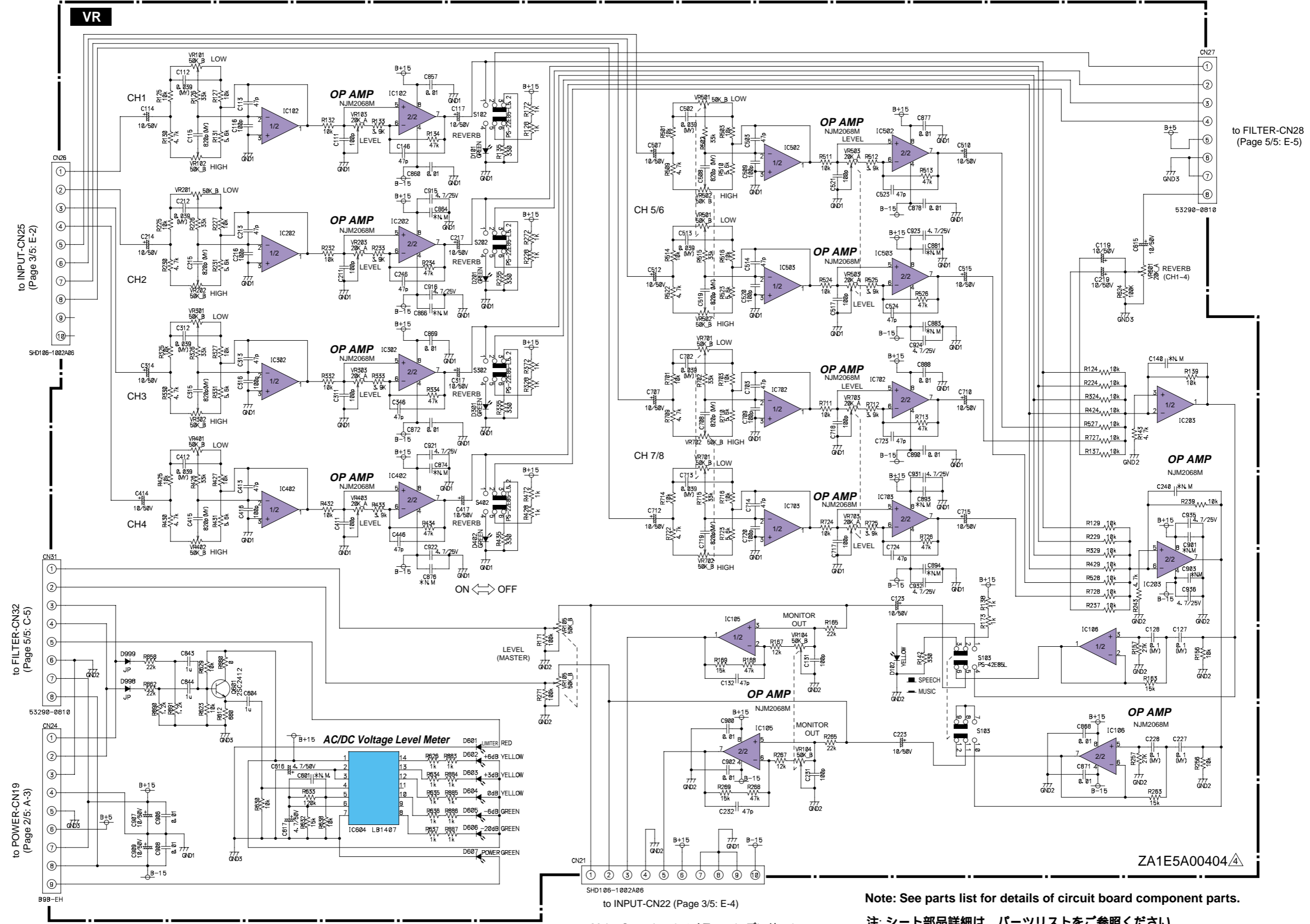
to VR-CN21  
(Page 4/5: E-6)

\*N.M.: not installed (未実装)

Note: See parts list for details of circuit board component parts.  
注: シート部品詳細は、パーツリストをご参照ください。

STAGEPAS 300

STAGEPAS 300 CIRCUIT DIAGRAM 3/5 (INPUT)



to INPUT-CN25 (Page 3/5: E-2)

to FILTER-CN32 (Page 5/5: C-5)

to POWER-CN19 (Page 2/5: A-3)

to FILTER-CN28 (Page 5/5: E-5)

to INPUT-CN22 (Page 3/5: E-4)

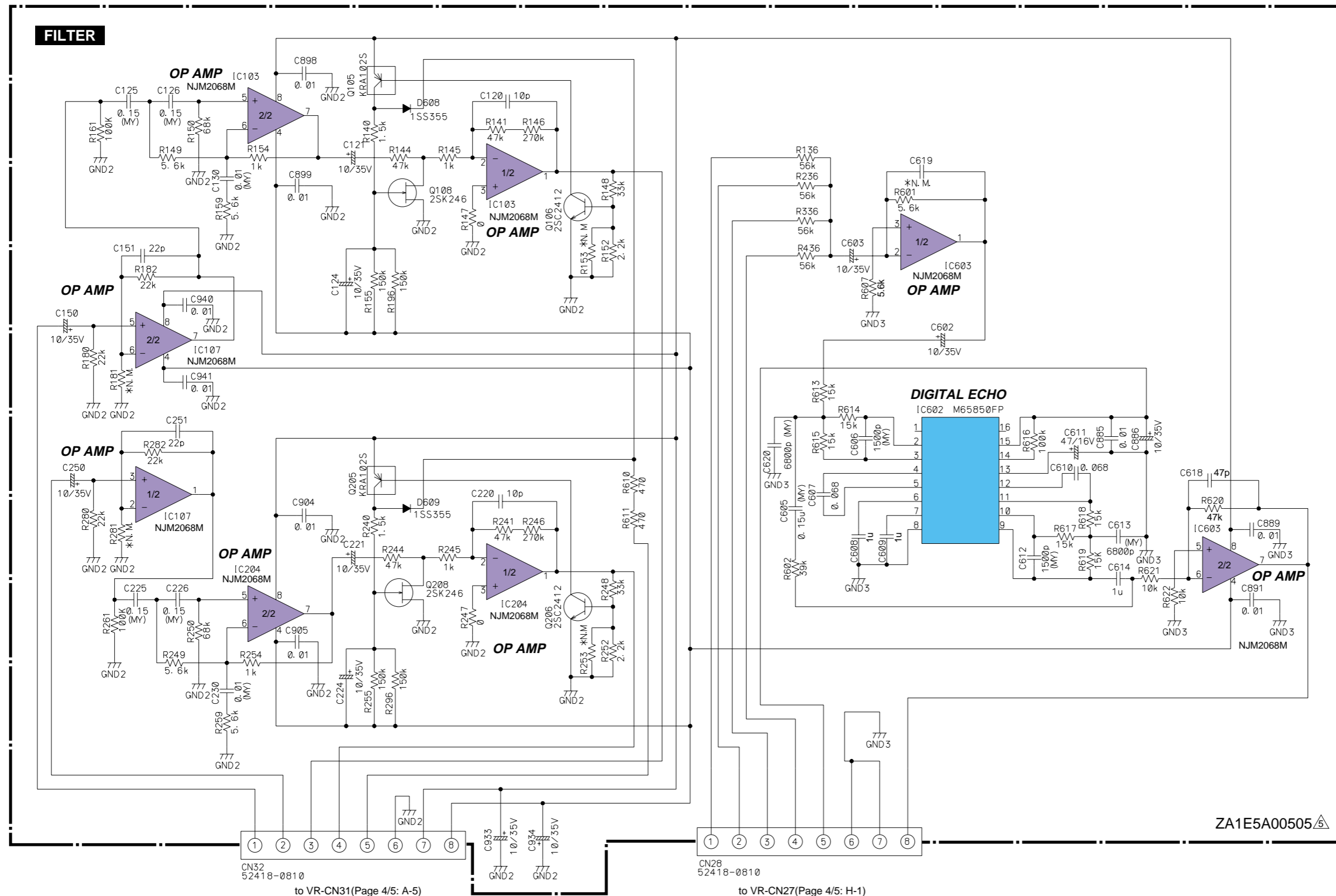
Note: See parts list for details of circuit board component parts.

注: シート部品詳細は、パーツリストをご参照ください。

(MY) : Mylar Capacitor (マイラーコンデンサー)  
\*N.M. : not installed (未実装)

STAGEPAS 300 CIRCUIT DIAGRAM 5/5 (FILTER)

STAGEPAS 300



(M) : Mylar Capacitor (マイラーコンデンサー)

\*N.M. : not installed (未実装)

Note: See parts list for details of circuit board component parts.

注: シート部品詳細は、パーツリストをご参照ください。