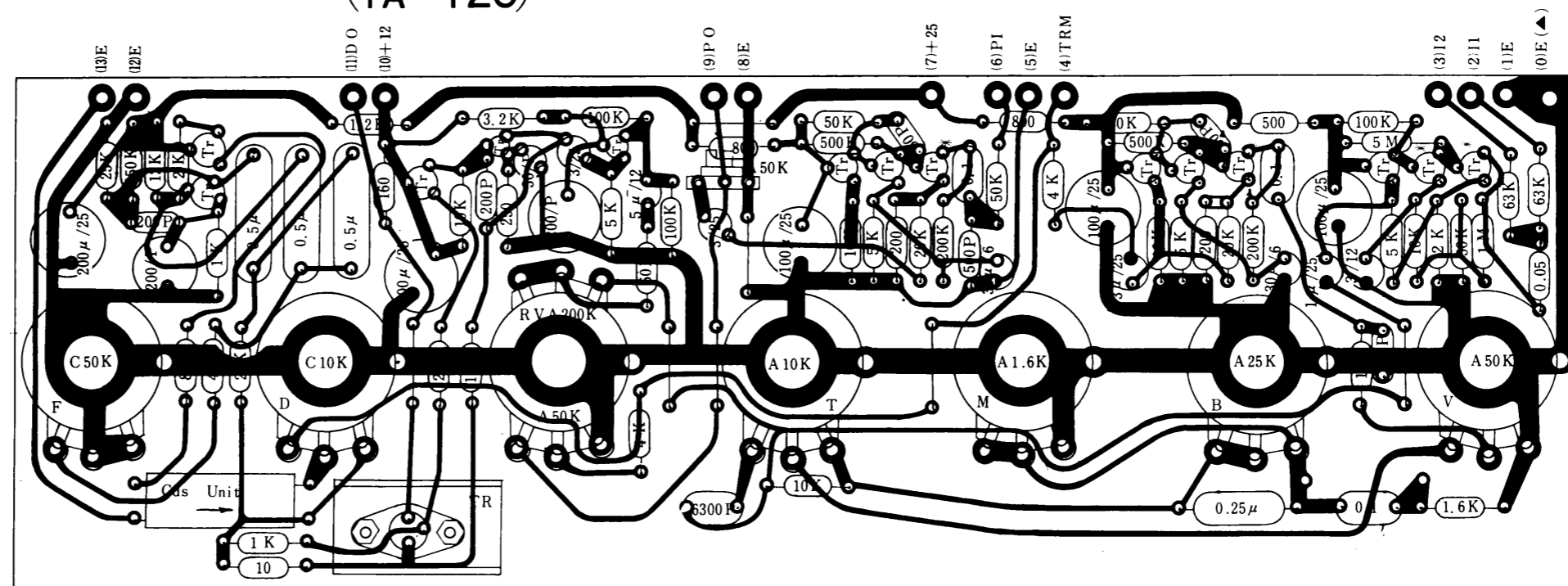


PA Sheet #0505 (TA-30) CH-1

PA Sheet #0507 (TA-60) CH-1
 TA-120



Notes:

Tr: 2SC372 (Toshiba)

* Tr: 2SC369 Low Noise (Toshiba)

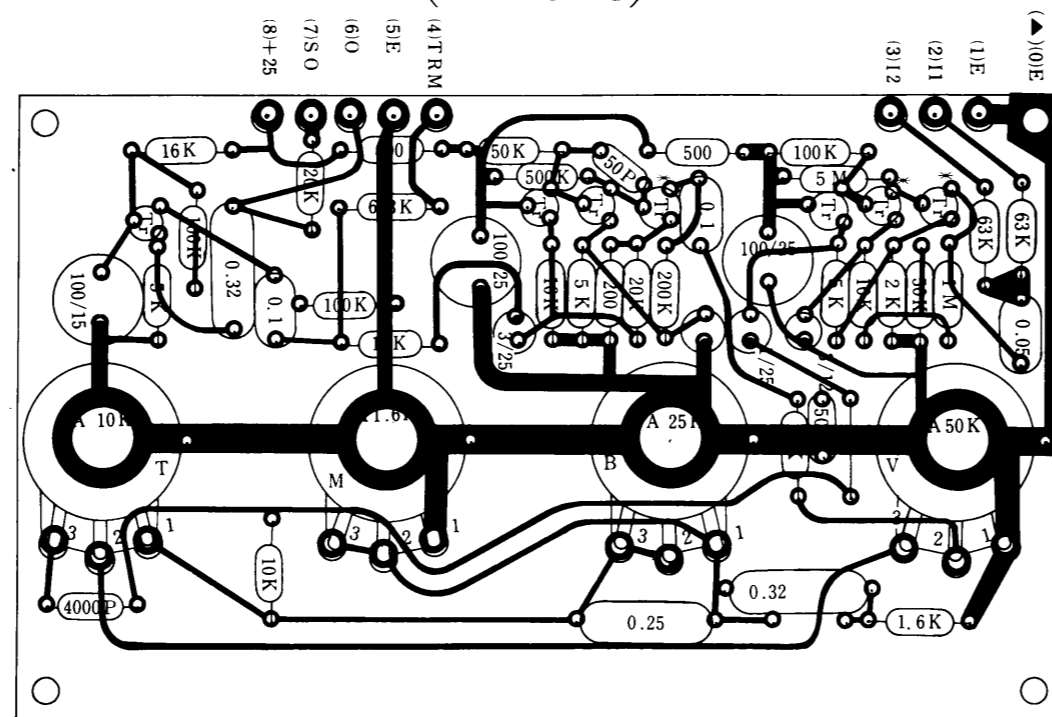
TR: 2SC893 (TEN) with Heat Sink #0214, Setting Screw 2x1 OS

VR Semi-fixed Volume: Noble 18K-3-1

VR: Noble V24L5PUN-23.5KQ

PA Sheet #0506 (TA-30) CH-2

PA Sheet #0508 (TA-60) CH-2
 TA-120



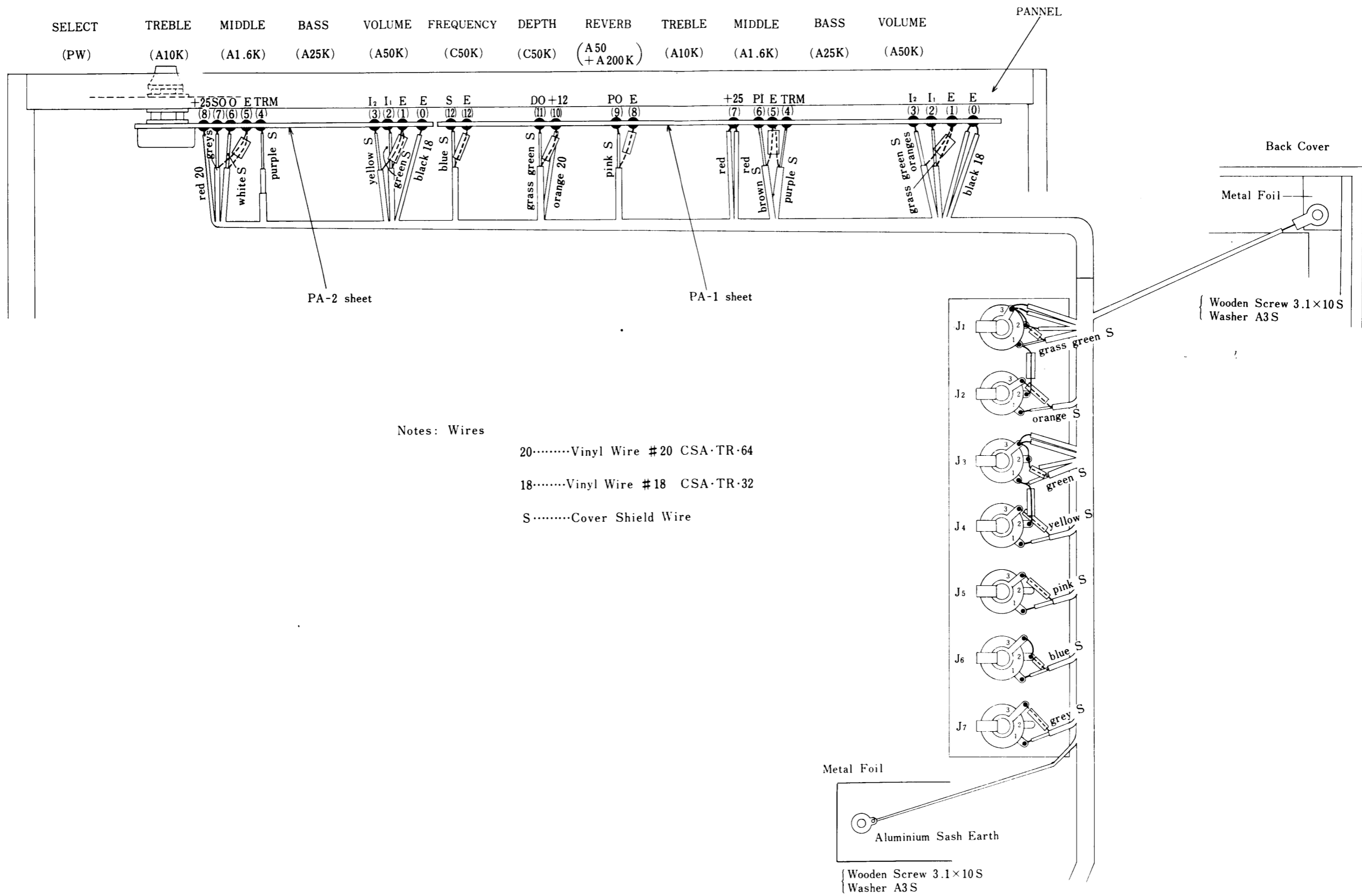
Notes:

Tr: 2SC372 (Toshiba)

* Tr: 2SC369 Low Noise (Toshiba)

Volume Control: V24L5 PUN-23.5KQ

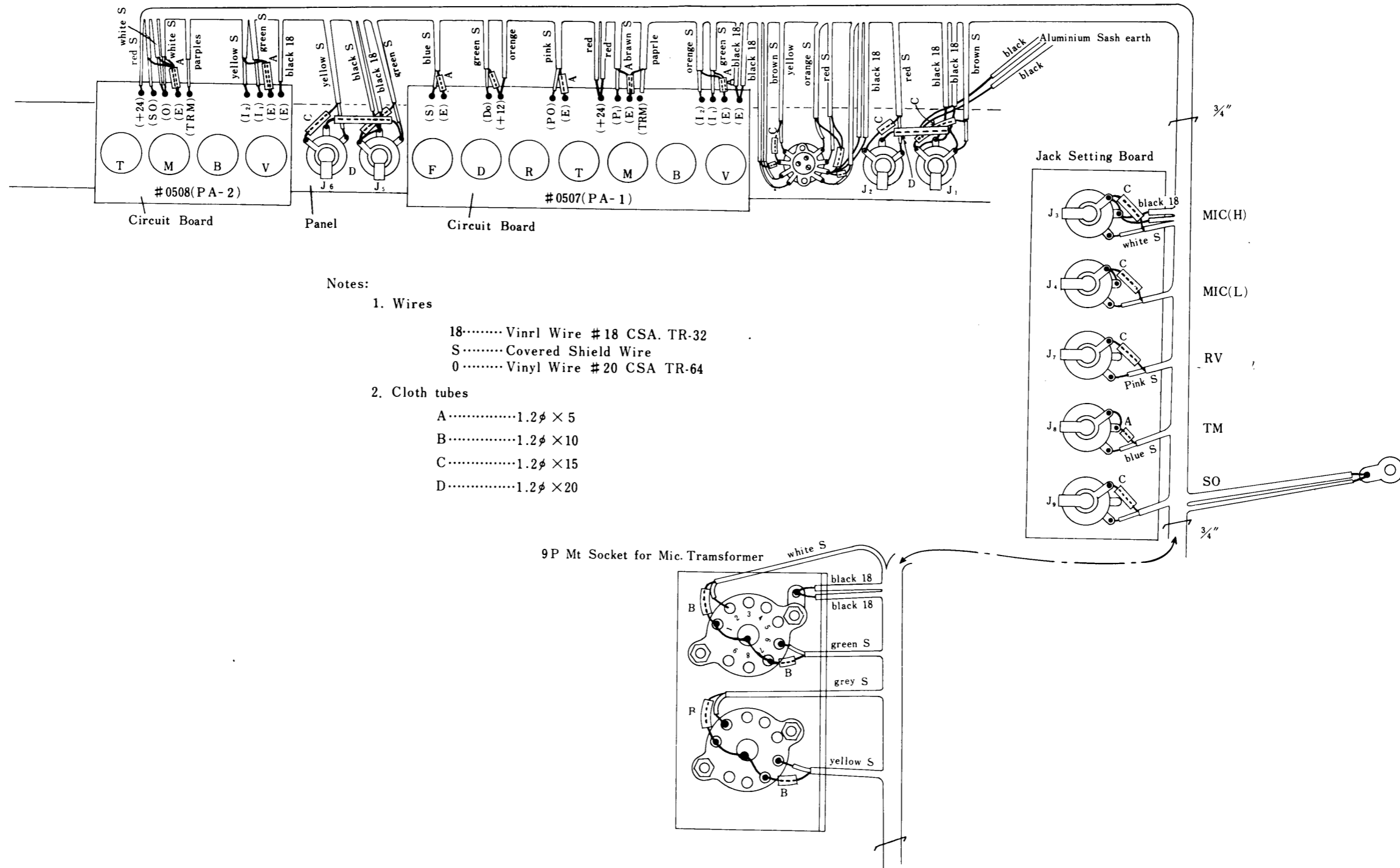
WIRING FOR TA-30, TA-60



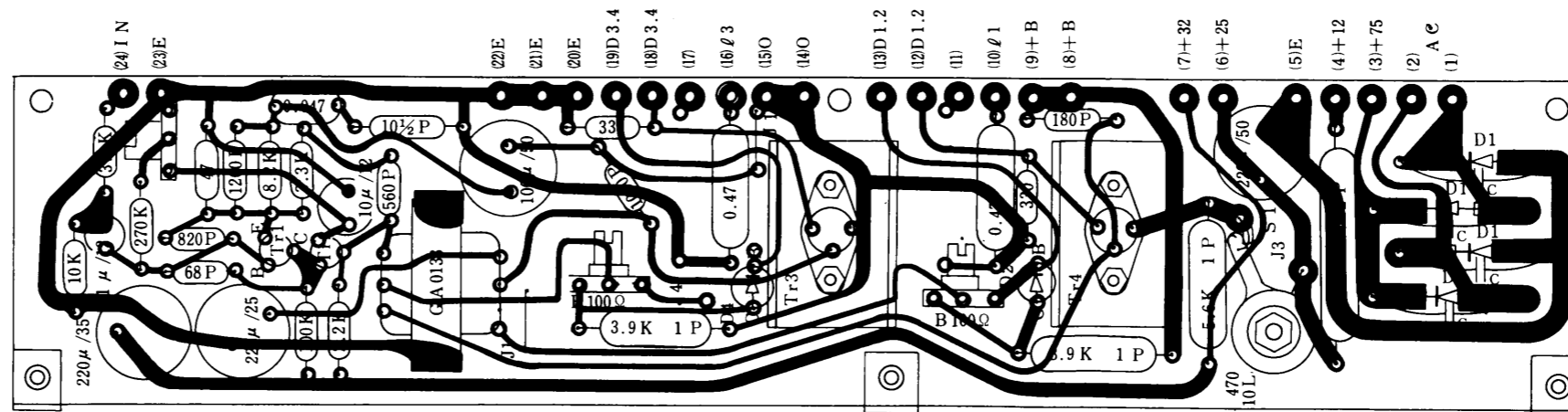
Notes: Wires

- 20.....Vinyl Wire #20 CSA·TR·64
- 18.....Vinyl Wire #18 CSA·TR·32
- S.....Cover Shield Wire

WIRING FOR TA-120

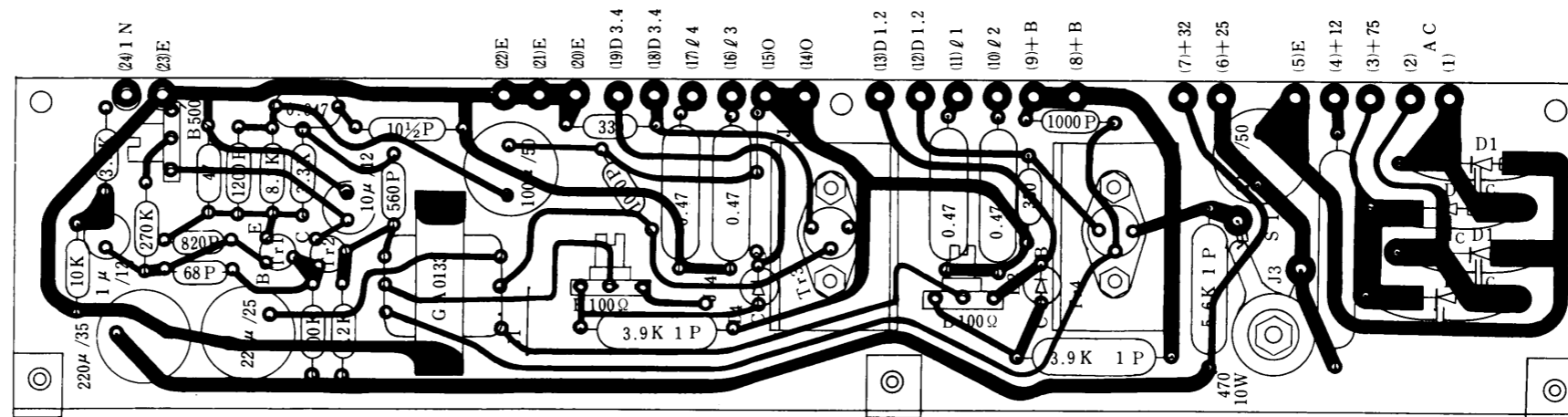


MA Sheet #0509(TA-30)



Notes:
 Tr1, Tr2: 2SC372(Toshiba)
 Tr3, Tr4: 2SC485(Toshiba) with Heat Sink #0214, Setting Screw 2×10S
 D1: Silicon Diode 10D-4(Nippon International) Please put varnish tube 1.2φ
 ×25 on the both ends of D1.
 D2: Transistor 2SB 111, whose emitta is cut.
 VR: Noble 18K-3-1
 Please apply silicon oil when you fit Tr3, Tr4.
 C: 0.01μF 500WV ceramic condenser

MA Sheet #0509(TA-60
 TA-120)

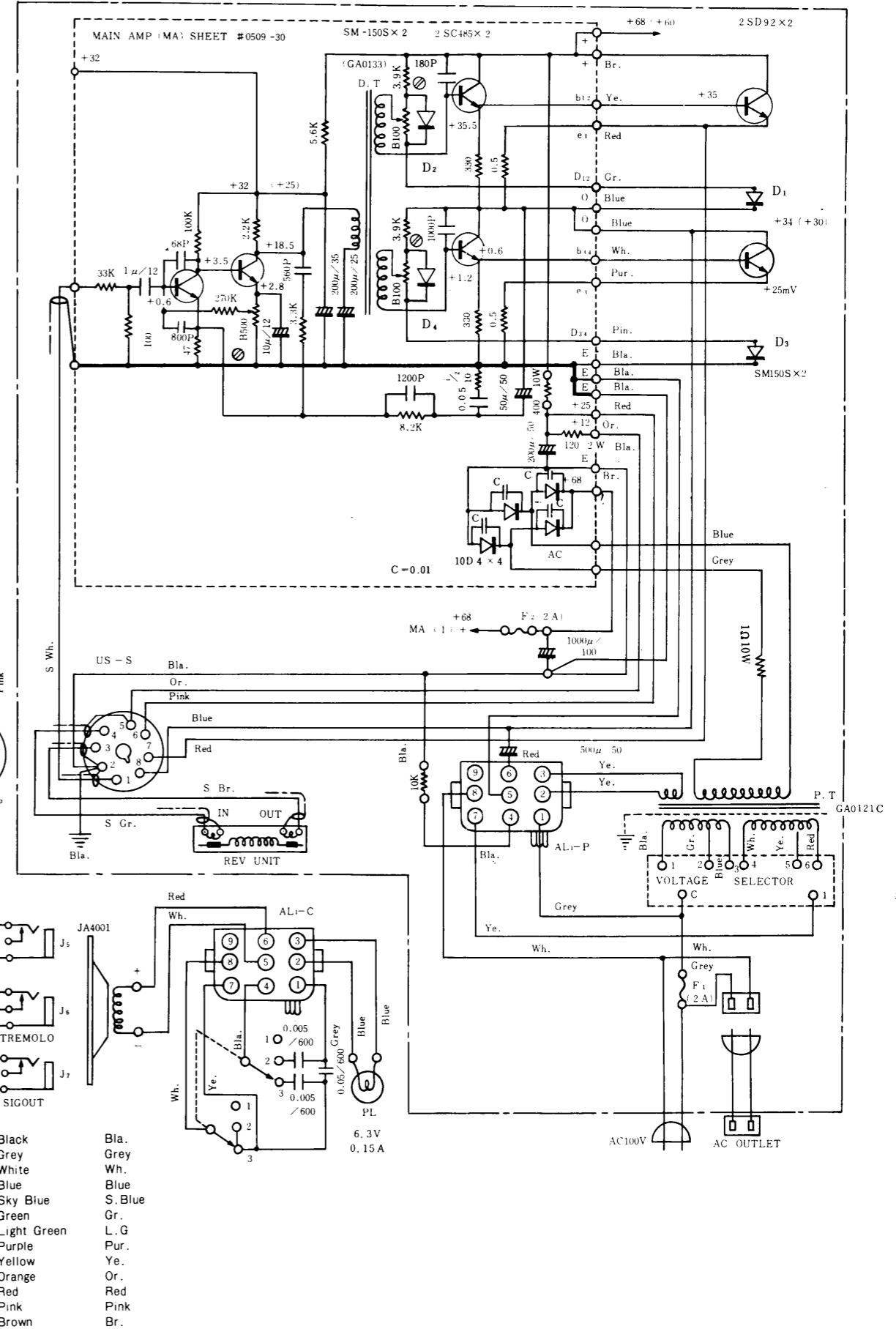
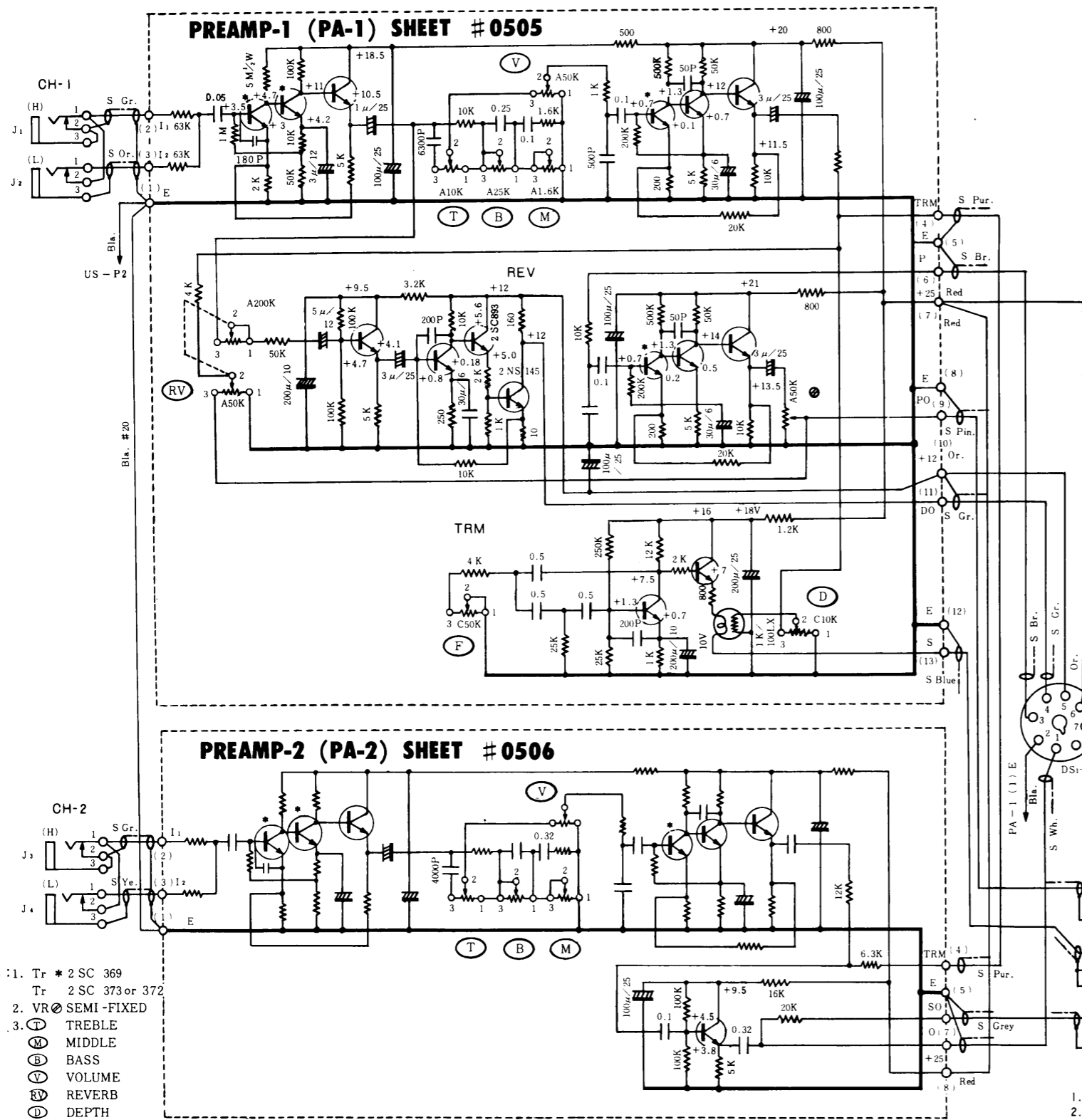


Notes:
 Tr1, Tr2: 2SC 372 (Toshiba)
 Tr3, Tr4: 2SC485 (Toshiba) with Heat Sink #0214, Setting Screw 2×10S
 D1: Silicon Diode 10D-4 (Nippon International) Please put varnish tube 1.2φ
 ×25 on the both ends of D1.
 D2: Transistor 2SB111, whose emitta is cut.
 VR: Noble 18K-3-1
 Please apply silicon oil when you fit Tr3, Tr4.
 C: 0.01μF 500WV ceramic condenser

CIRCUIT DIAGRAM FOR TA-30

TA-30 MAIN AMP ND3004

Serial No.23015~



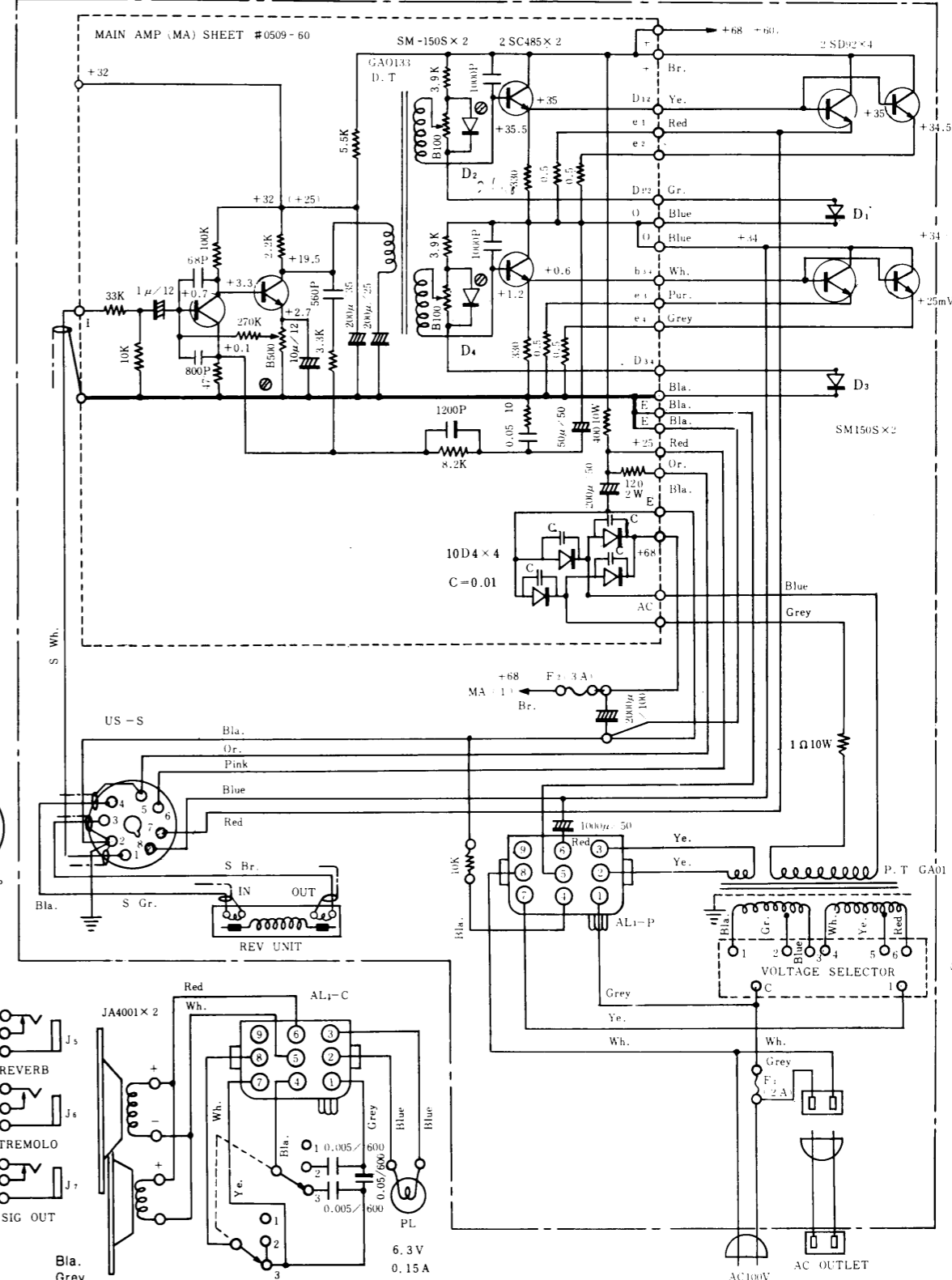
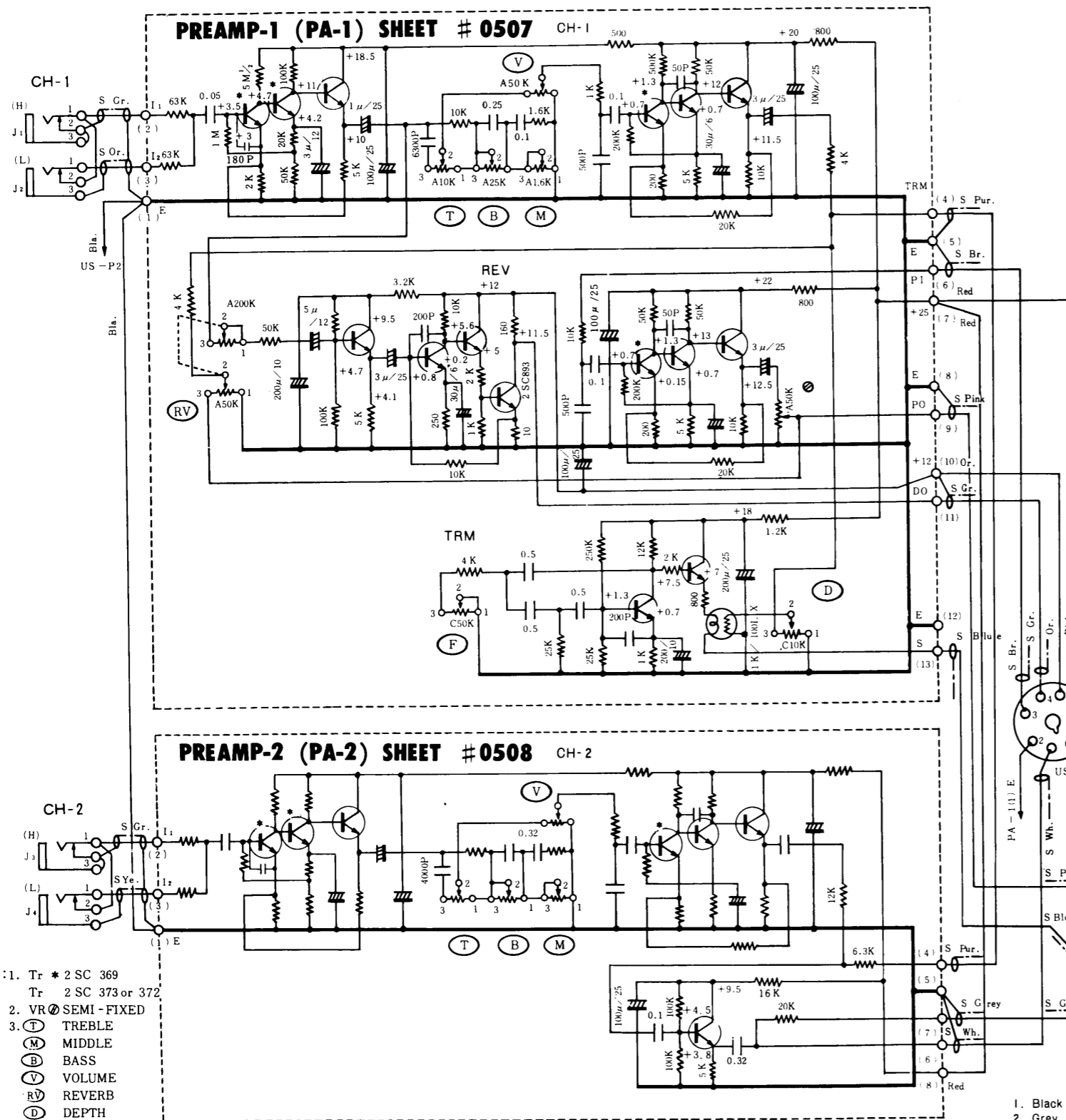
- NOTES :
1. Tr * 2 SC 369
Tr 2 SC 373 or 372
 2. VR SEMI-FIXED
 3. (T) TREBLE
(M) MIDDLE
(B) BASS
(V) VOLUME
(RV) REVERB
(D) DEPTH
(F) FREQUENCY
 4. NUMERICAL VALUES ON CH-2 ARE SAME WITH THOSE ON CH-1.
 5. VOLTAGE MEASUREMENTS ARE TAKEN WITH VACUUM TUBE VOLTMETER, AT NO INPUT SIGNAL THE VALUE IN THE PARENTESIS SHOWS THE VOLTAGE MEASURED AT FULL POWER.

- | | |
|----------------|--------|
| 1. Black | Bla. |
| 2. Grey | Grey |
| 3. White | Wh. |
| 4. Blue | Blue |
| 5. Sky Blue | S.Blue |
| 6. Green | Gr. |
| 7. Light Green | L.G. |
| 8. Purple | Pur. |
| 9. Yellow | Ye. |
| 10. Orange | Or. |
| 11. Red | Red |
| 12. Pink | Pink |
| 13. Brown | Br. |

CIRCUIT DIAGRAM FOR TA-60

MAIN AMP ND6004

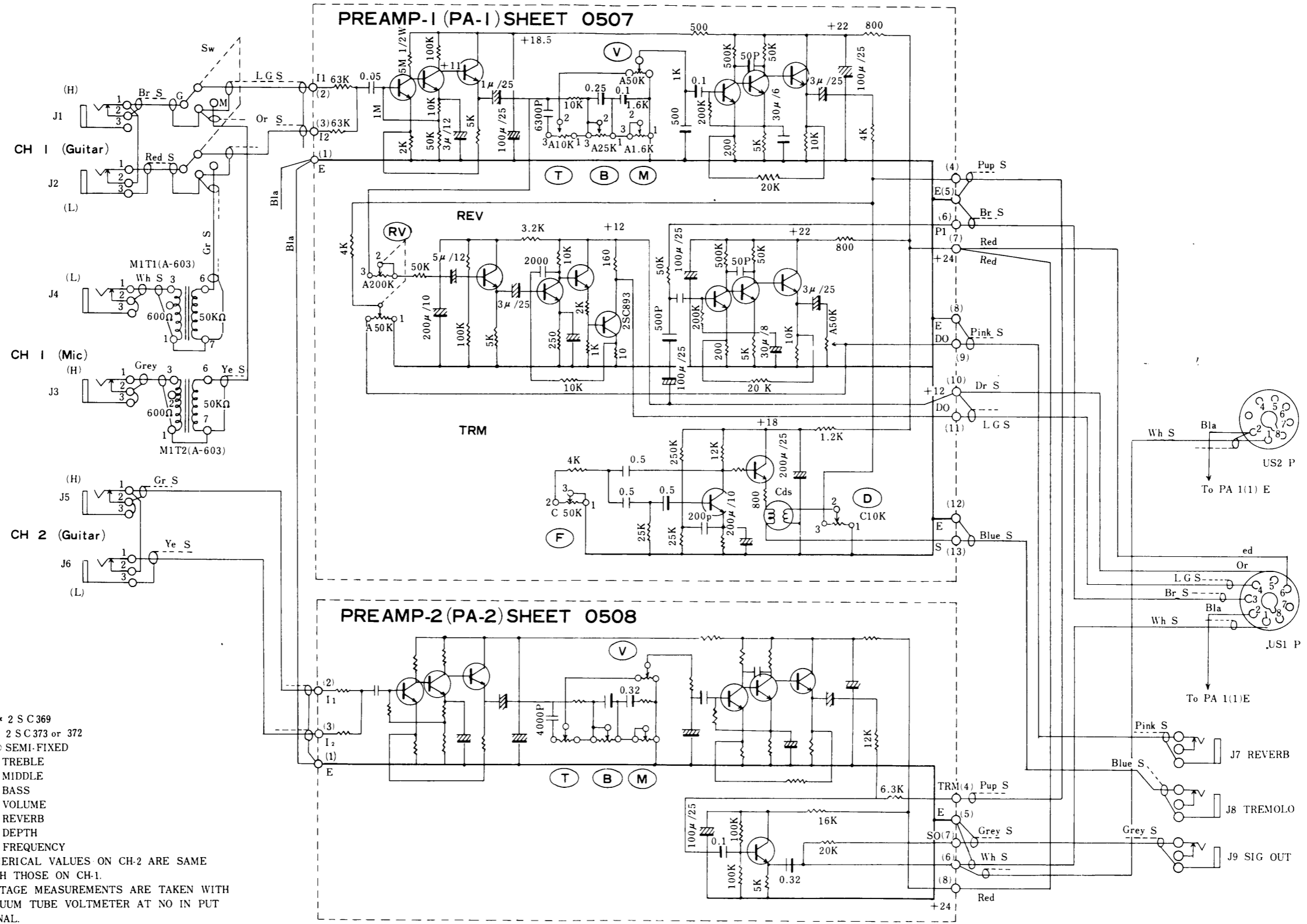
Serial No.22669-



- NOTES : 1. Tr * 2 SC 369
Tr 2 SC 373 or 372
2. VR SEMI-FIXED
3. (T) TREBLE
(M) MIDDLE
(B) BASS
(V) VOLUME
(RV) REVERB
(D) DEPTH
(F) FREQUENCY
4. NUMERICAL VALUES ON CH-2 ARE SAME WITH THOSE ON CH-1.
5. VOLTAGE MEASUREMENTS ARE TAKEN WITH VACUUM TUBE VOLTMETER, AT NO INPUT SIGNAL THE VALUE IN THE PARENTHESIS SHOWS THE VOLTAGE MEASURED AT FULL POWER.

- | | |
|----------------|---------|
| 1. Black | Bla. |
| 2. Grey | Grey |
| 3. White | Wh. |
| 4. Blue | Blue |
| 5. Sky Blue | S. Blue |
| 6. Green | Gr. |
| 7. Light Green | L. G |
| 8. Purple | Pur. |
| 9. Yellow | Ye. |
| 10. Orange | Or. |
| 11. Red | Red |
| 12. Pink | Pink |
| 13. Brown | Br. |

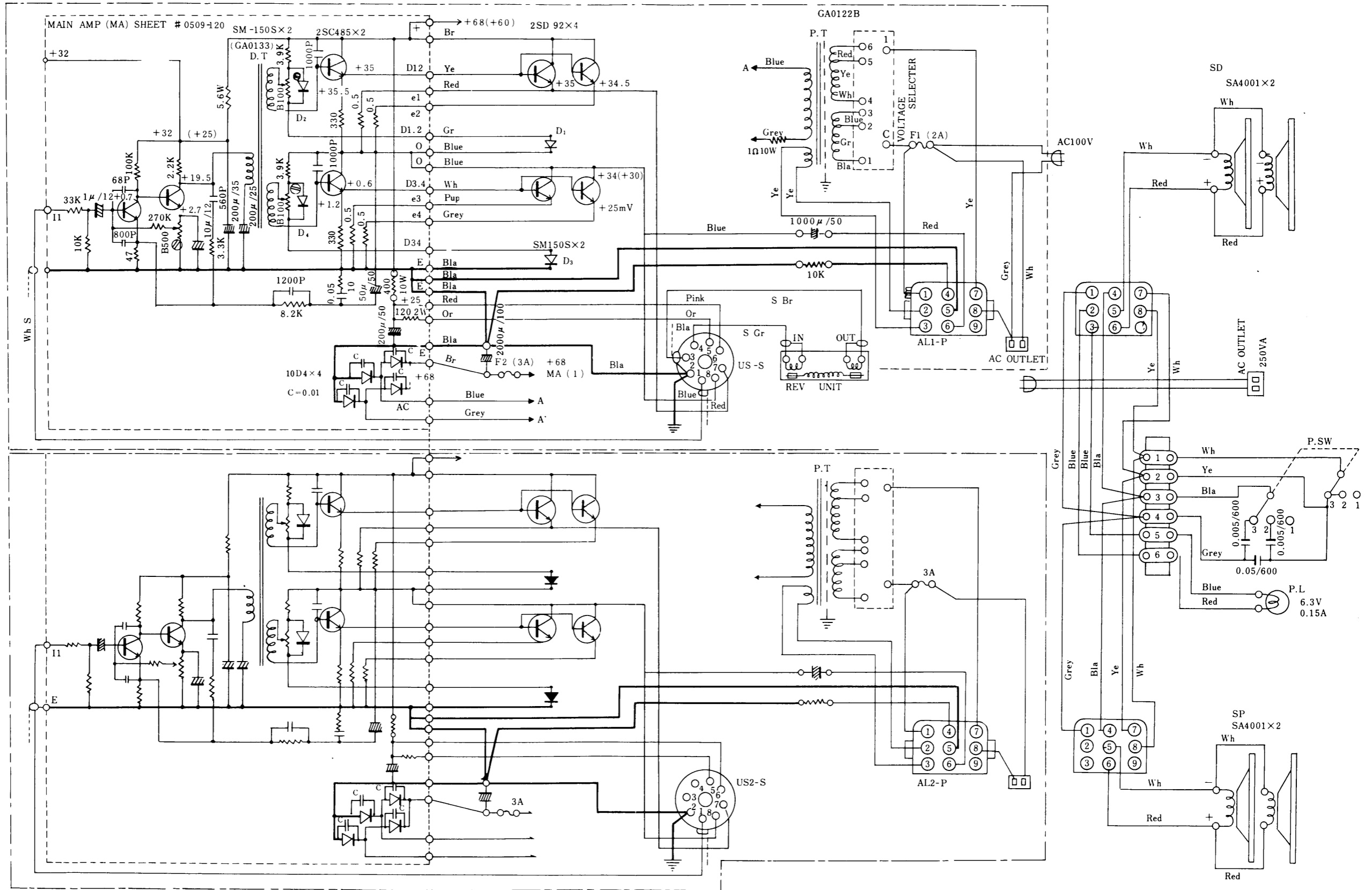
CIRCUIT DIAGRAM FOR TA-120(1/2)



1 Black	Bla	6 Green	Gr	11 Red	Red
2 Grey	Grey	7 Light Green	L. G	12 Pink	Pink
3 White	Wh	8 Purple	Pur	13 Brown	Br
4 Blue	Blue	9 Yellow	Ye		
5 Sky Blue	S. Blue	10 Orange	Or		

CIRCUIT DIAGRAM FOR TA-120(2/2)

MAIN AMP ND6004 (B)



MAIN AMP ND. 6004(C)

CHAPTER 7 PARTS LIST

This list of parts for Yamaha Amplifiers is (prepared) to render perfect after-service to the users of Yamaha Amplifiers, covering wasting parts which are used in TA-120, TA-60 and TA-30 amplifiers. Please notice that some of the parts listed up here are commonly used in Yamaha Electronic Organs. When ordering, please be sure to indicate the name, the list number and the quantity of the parts you want to have, by referring to this list.

The first and the second letters of Model No. show classification of the material and function. Each letter represents :

A ----- Ferrous metal materials	I ----- Tubes and transistors
B ----- Non-ferrous metal materials	J ----- Speakers
C ----- Plastics	K ----- Switches
D ----- Wood	L ----- Circuit boards and connectors
E ----- Screws and washers	M ----- Wires (1)
F ----- Capacitors	N ----- Circuits assembly and units
G ----- Coils	O ----- Solder and others
H ----- Resistors	P ----- Wires (2)

CASEWORK & PANEL

No.	Model No.	Description	Price	Remarks
		Casework for TA-30		
	AC 05	Aluminum Sash		TA-30
	AD 00	Front Board Assembly		"
	AE 00	Back Board Assembly		"
	AE 01	Panel		"
		Casework for TA-60		
	AC 05	Aluminum Sash		TA-60
	AD 00	Front Board Assembly		"
	AE 00	Back Board Assembly		"
	AF 01	Panel		"
		Casework for TA-120		
		Front Board Assembly		TA-120
		Back Board Assembly		"
		Spring Catch (for Back Door)		"
		Aluminum Sash A		"
		Aluminum Sash B		"
		Aluminum Sash C		"
		Aluminum Sash D		"
		Panel		"
		Caster		"
		Bolt M8×45 (for Legs)		"
		Nut M8 (for Legs)		"
		Washer 8φ (for Legs)		"
		Name Plate		"
		Nut M3 (for Name Plate)		"
		Washer 3φ (for Name Plate)		"
		Jack Setting Board		"
		Hinge		"
		⊕ Pan Head Wooden Screw 2.4×10 (for Jack Setting Board, Spring Catch, AC Out Board)		"
		Flat Head Wooden Screw 2.4×13 (for Aluminum Sash)		"
		Pan Head Wooden Screw 4.5×50 (for Back Board)		"
		Pan Head Wooden Screw 2.4×13 (for Hinge)		"
		Leg		"

No.	Model No.	Description	Price	Remarks
	GA 0151	Mic. Transformer #0151 (600Ω : 50KΩ)		TA-120
	LB 0017	MT. Socket		"
		Common Parts		
	AA 14	Jack Setting Board		TA-30·60
	AA 15	AC Out Board		TA-30·60·120
	AA 16	Leg (Plastic Button)		TA-30·60
	AA 17	Grip with Metal and Screws		"
	AC 08	Plastic Corner		TA-30·60·120
		Special Bolt M4×40 (for Speaker)		"
		Nut M4 (for Speaker)		"
	AD 02	Name Plate		TA-30·60
	AE 09	Fuse inside Cover, Cord Basket Cover (for Fuse & Accesories)		"
	AE 16	Cord Basket		"
	AE 19	Pan Head Machine Screw (Black) ⊕ M5×35 (for Back Cover)		"
	AE 20	Washer 5φ (Black)		"
	AE 28	Spring Board (for Fuse & Accessory Cover)		"
	AF 05	VR. Knob		TA-30·60·120
	AF 06	Switch Knob		"
	AF 07	Soft Tape		TA-30·60
		Nail 1.24×16 (for Plastic Corners)		"
		Wooden Screw 2.4×10 (for Basket, Jack Setting Board, AC Out Setting Flame)		"
		Wooden Screw 3.5×16 (for Legs, Spring Board)		"
		Wooden Screw 2.4×13 (for Aluminum Sash)		"
	CB 0256	Pilot Cover (Red)		TA-30·60·120
	LB 0028	Pilot Socket		"
	JB 0002	Lamp (6.3V 0.15A)		"
	LB 0063	Jack		Common
	LB 0109	AC Socket		"

MAIN AMP (TA-30·60·120)

	ND 3004	Main Amp Assembly ND3004		TA-30
	ND 6004	Main Amp Assembly ND6004		TA-60
	ND 6005(C)	Main Amp Assembly ND6005 (C)		TA-120
	AA 0975	Transistor Cover #0975		Common
	BA 0129	Diode Setting Metal #0129		"
	CB 0241	Insulating Tube #0241 (SEMKO)		"
	CB 0435	Rubber Bush #0435		"
	CB 0441	Cord Stopper #0441		"
	CB 0539	Cord Holder #0539 (SEMKO)		"
	CB 0654	Spacer (for Circuit Board)		"
	FM 5810	Electrolytic Capacitor Rug Terminal 1000μ F/50V		TA-60·120
	FM 6820	Electrolytic Capacitor Rug Terminal 2000μ F/100V		"
	FM 6810	Electrolytic Capacitor Rug Terminal 1000μ F/100V		TA-30
	GA 0121	Power Transformer #0121B		"
	GA 0122	Power Transformer #0122B		TA-60·120
	HL 0310	Carbon Resistor 1/4 P 10KΩ		Common
	IA 0046	Transistor 2SD92 (Y)		"
	IC 0009	Silicon Diode SM-150S (for Temp Compensation)		"
	IC 0032	Silicon Diode 10D-4 (for Power Rectifier)		TA-60·120
	KB 0001	Fuse 3A		"
	KB 0038	Fuse 3A (SEMKO)		"

No.	Model No.	Description	Price	Remarks
	KB 0003	Fuse 2A		TA-30-60
	KB 0024	Fuse 2A (SEMKO)		"
	LB 0019	US Socket (Mold Type)		Common
	LB 0079	Fuse Holder (Except SEMKO & NEMKO)		"
	LB 0086	Fuse Holder (SEMKO & NEMKO)		"
	LB 0092/93	Power Change Connector Unit		"
	LB 0109	AC Socket #0109		"
	MZ 0073	AC Cord #0073 (SEMKO)		TA-30-60-120
	MZ 0097	AC Cord #0097 (General)		"
	MZ 0136	AC Cord #0136 (Europe, Australia, Asia)		"
	MZ 0142	AC Cord #0142 (CSA-UL)		"
	MZ 0182	Connector Unit (AMP Lock 9 pins)		"

MA CIRCUIT BOARD

	NA 1140	MA Circuit Board #0509 (30)		TA-30
	NA 1141	MA Circuit Board #0509 (60-120)		TA-60-120
	* The Circuit boards NA 1140 and NA 1141 are same, except that NA 1141 has two more resistors 0.5Ω.			
	BA 0128	Diode Setting Metal #0128		Common
	BA 0214	Radiator (for 2SC485) #0214		"
	FA 1350	Mylar Capacitor 7% 0.05μF		"
	FH 0068	Polystyrene Capacitor 10% 68P		"
	FH 0118	" 10% 180P		"
	FH 0156	" 10% 560P		"
	FH 0182	" 10% 820P		"
	FH 0210	" 10% 1000P		"
	FH 0212	" 10% 1200P		"
	FM 2510	Electrolytic Capacitor 1μ/12V		"
	FM 4720	" 200μ/35V		"
	FM 5710	" 100μ/50V		"
	FM 5720	" 200μ/50V		"
	GA 0133	Driver Transformer #0133		"
	HC 0087	Variable Resistor (Semifixed) 50Ω B		"
	HC 0209	" " 500Ω B		"
	HD 4905	Wire Resistor 0.5Ω 2W		"
	HL 0047	Carbon Resistor 1/4PS 47Ω		"
	HL 0110	" 1/4PS 100Ω		"
	HL 0133	" 1/4PS 330Ω		"
	HL 0222	" 1/4PS 3.3K		"
	HL 0282	" 1/4PS 8.2K		"
	HL 0310	" 1/4PS 10K		"
	HL 0333	" 1/4PS 33K		"
	HL 0410	" 1/4PS 150K		"
	HL 0415	" 1/4PS 270K		"
	HL 0427	" 1/4PS 100K		"
	HM 1010	" 1/2PS 10Ω		"
	HM 3233	" 1P 3.3K		"
	HM 3256	" 1P 5.6K		"
	HM 4112	" 2P 120Ω		"
	HM 7145	" 10W 450Ω		"
	IA 0031	Transistor 2SC372		"
	IA 0047	Transistor 2SB 111		"
	IA 0051	Transistor 2SC485		"
	IC 0032	Silicon Diode 10D-4		"

No.	Model No.	Description	Price	Remarks
	NA 0505	Circuit Board #5505		TA-30
	NA 0507	Circuit Board #0507		TA-60-120
	BA 0214	Radiator #0214		Common
	FA 1350	Mylar Capacitor 0.05 μ 7%		"
	FA 1410	" 0.1 μ 7%		"
	FA 1425	" 0.25 μ 7%		"
	FA 1450	" 0.5 μ 7%		"
	FH 0050	Ceramic Capacitor 10% 50PF		"
	FH 0118	" 10% 180PF		"
	FH 0120	" 10% 200PF		"
	FH 0150	" 10% 500PF		"
	FH 0263	" 10% 180PF		"
	FM 0630	Electrolytic Capacitor 30 μ /6V(ELNA)		"
	FM 1720	" 200 μ /10V(ELNA)		"
	FM 2530	" 3 μ /12V(ELNA)		"
	FM 2550	" 5 μ /12V(ELNA)		"
	FM 3710	" 100 μ /15V(ELNA)		"
	FM 4510	" 1 μ /25V(ELNA)		"
	FM 4530	" 3 μ /25V(ELNA)		"
	FM 4710	" 100 μ /25V(ELNA)		"
	FM 4720	" 200 μ /25V(ELNA)		"
	HC 0107	Variable Resistor (Semi-fixed A50K)		"
	HC 0209	" (Semi-fixed B500 Ω)		"
	HC 0218	" (A10K)		"
	HC 0219	" (C10K)		"
	HC 0220	" (A25K)		"
	HC 0221	" (A50K)		"
	HC 0222	" (C50K)		"
	HC 0223	" (A1.6K)		"
	HC 0224	" (A50K+A200K)		"
	HL 0010	Carbon Resistor 1/4 PS 10 Ω		"
	HL 0116	" 1/4 PS 160 Ω		"
	HL 0120	" 1/4 PS 200 Ω		"
	HL 0125	" 1/4 PS 250 Ω		"
	HL 0150	" 1/4 PS 500 Ω		"
	HL 0180	" 1/4 PS 800 Ω		"
	HL 0210	" 1/4 PS 1K		"
	HL 0212	" 1/4 PS 1.2K		"
	HL 0216	" 1/4 PS 1.6K		"
	HL 0220	" 1/4 PS 2K		"
	HL 0232	" 1/4 PS 3.2K		"
	HL 0240	" 1/4 PS 4K		"
	HL 0250	" 1/4 PS 5K		"
	HL 0310	" 1/4 PS 10K		"
	HL 0312	" 1/4 PS 12K		"
	HL 0320	" 1/4 PS 20K		"
	HL 0325	" 1/4 PS 25K		"
	HL 0350	" 1/4 PS 50K		"
	HL 0363	" 1/4 PS 63K		"
	HL 0410	" 1/4 PS 100K		"
	HL 0420	" 1/4 PS 200K		"
	HL 0425	" 1/4 PS 250K		"
	HL 0450	" 1/4 PS 500K		"
	HL 0510	" 1/4 PS 1M		"
	HM 1550	" 1/2 PS 5M		"
	HH 0004	Cds Unit		"
	I A 0024	Transistor 2SC369		"

No.	Model No.	Description	Price	Remarks
	I A 0031	Transistor 2SC372		Common
	I A 0057	Transistor 2SC893		"

PA-2

	NA 0506	Circuit Board #0506		TA-30
	NA 0508	" #0508		TA-60-120
	FA 1350	Mylar Capacitor 7% 0.05 μ		Common
	FA 1410	" 7% 0.1 μ		"
	FA 1425	" 7% 0.25 μ		"
	FA 1432	" 7% 0.32 μ		"
	FH 0050	Ceramic Capacitor 10% 50PF		"
	FH 0118	" 10% 500PF		"
	FH 0150	" 10% 4000PF		"
	FH 0240	" 10% 180PF		"
	FM 0630	Electrolytic Capacitor 30 μ /6V		"
	FM 2530	" 3 μ /12V		"
	FM 3710	" 100 μ /15V		"
	FM 4510	" 1 μ /25V		"
	FM 4530	" 3 μ /25V		"
	FM 4710	" 100 μ /25V		"
	HC 0120	Carbon Resistor 1/4PS 200 Ω		"
	HC 0150	" 1/4PS 500 Ω		"
	HC 0180	" 1/4PS 800 Ω		"
	HC 0210	" 1/4PS 1K Ω		"
	HC 0216	" 1/4PS 1.6K Ω		"
	HC 0218	Variable Resistor A10K		"
	HC 0220	" A25K		"
	HC 0221	Variable Resistor A50K		"
	HC 0223	" A1.6K		"
	HG 0220	Carbon Resistor 1/4PS 2K Ω		"
	HG 0250	Carbon Resistor 1/4PS 5K Ω		"
	HG 0263	" 1/4PS 6.3K Ω		"
	HG 0310	" 1/4PS 10K Ω		"
	HG 0312	" 1/4PS 12K Ω		"
	HG 0316	" 1/4PS 16K Ω		"
	HG 0320	" 1/4PS 20K Ω		"
	HG 0350	" 1/4PS 50K Ω		"
	HG 0363	" 1/4PS 63K Ω		"
	HG 0410	" 1/4PS 100K Ω		"
	HG 0420	" 1/4PS 200K Ω		"
	HG 0450	" 1/4PS 500K Ω		"
	HG 0510	" 1/4PS 1M Ω		"
	HM 1550	" 1/2PS 5M Ω		"
	I A 0024	Transistor 2SC369		"
	I A 0031	Transistor 2SC372		"