

M2500-24/32/40C /48C/56C MIXING CONSOLE

PARTS LIST


■ CONTENTS

OVERALL ASSEMBLY	2
CHASSIS ASSEMBLY	4
MASTERE ASSEMBLY	8
MONO IN ASSEMBLY (MONO16, MONO24, MONO32)	10
METER PANEL ASSEMBLY	12
ELECTRICAL PARTS	14

Notes : DESTINATION ABBREVIATIONS

A : Australian model	M: South African model
B : British model	O : Chinese model
C : Canadian model	Q : South-east Asia model
D : German model	T : Taiwan model
E : European model	U : U.S.A. model
F : French model	V : General export model (110V)
H : North European model	W: General export model (220)
I : Indonesian model	N,X : General export model
J : Japanese model	Y : Export model

■ WARNING

Components having special characteristics are marked  and must be replaced with parts having specification equal to those originally installed.

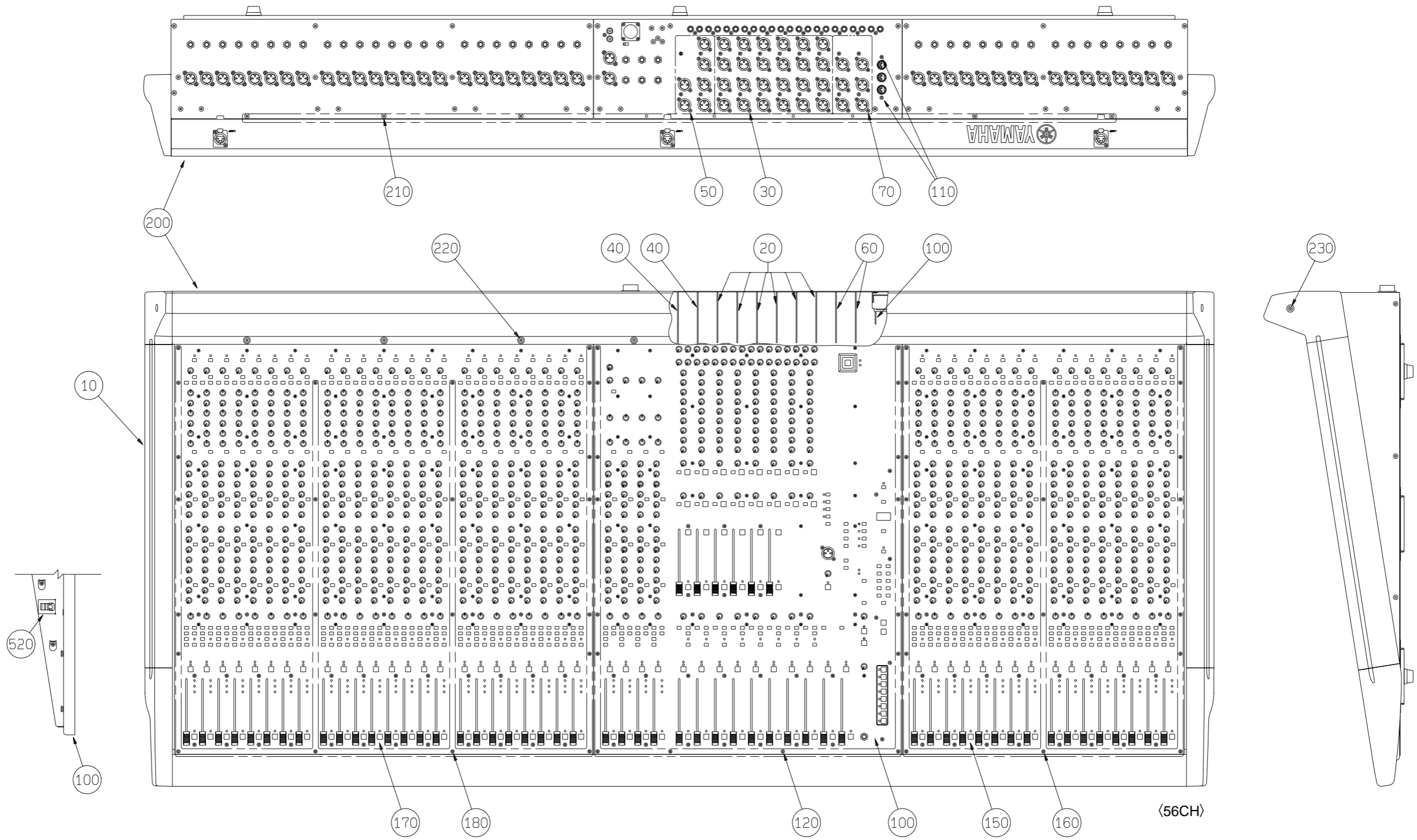
- The numbers "QTY" show quantities for each unit.
- The parts with "--" in "PART NO." are not available as spare parts.
- This mark "}" in the REMARKS column means these parts are interchangeable.
- The second letter of the shaded (■) part number is O, not zero.
- The second letter of the shaded (■) part number is I, not one.

OVERALL ASSEMBLY

REF NO.	PART NO.	DESCRIPTION		REMARKS	QTY	RANK
	--	OVERALL ASSEMBLY		M2500-24/32/40/48/56		
	--	Overall Assembly		24CH (V442400)		
	--	Overall Assembly		32CH (V442410)		
	--	Overall Assembly		40CH (V442430)		
	--	Overall Assembly		48CH (V442450)		
	--	Overall Assembly		56CH (V442470)		
10	--	Shassis Assembly		24CH (V442480)		
10	--	Shassis Assembly		32CH (V442490)		
10	--	Shassis Assembly		40CH (V442500)		
10	--	Shassis Assembly		48CH (V442510)		
10	--	Shassis Assembly		56CH (V442520)		
20	NX819680	Circuit Board	MSOUT1		3	15
30	VN413300	Bonding Tapping Screw-B	3.0X8 MFZN2BL		60	01
40	NX819720	Circuit Board	MSOUT2			13
50	VN413300	Bonding Tapping Screw-B	3.0X8 MFZN2BL		16	01
* 60	AAX09050	Circuit Board	MASOUT3			
70	VN413300	Bonding Tapping Screw-B	3.0X8 MFZN2BL		16	01
100	--	MASTER Assembly		(V442530)		
110	VN413300	Bonding Tapping Screw-B	3.0X8 MFZN2BL		2	01
120	EP600190	Bind Head Tapping Screw-B	3.0X8 MFZN2BL		17	01
150	--	Mono 16 Assembly		40CH (V442540)		
150	--	MONO 32 Assembly		56CH (V442560)		
160	EP600190	Bind Head Tapping Screw-B	3.0X8 MFZN2BL	40/56CH 21/31		01
170	--	MONO 24 Assembly		24,40,56CH (V442550)		
170	--	MONO 32 Assembly		32CH (V442560)		
170	--	MONO 24 Assembly		48CH (V442550)	2	
180	EP600190	Bind Head Tapping Screw-B	3.0X8 MFZN2BL	26/31/26/52/26		01
200	--	Meter Panel Assembly		24CH (V442570)		
200	--	Meter Panel Assembly		32CH (V442580)		
200	--	Meter Panel Assembly		40CH (V442590)		
200	--	Meter Panel Assembly		48CH (V442600)		
200	--	Meter Panel Assembly		56CH (V442610)		
210	EG340190	Bind Head Tapping Screw-B	4.0X8 MFZN2BL	10/11/13/14/15		01
220	EG340360	Bind Head Screw	4.0X8 MFZN2BL	7/8/9/10/11		01
230	VB923200	Bind Head Screw	4.0X25 MFZN2BL		2	01
300	--	Connector Assembly	METER ASSY	(V431280)		
310	--	Connector Assembly	OUT ASSY	(V431260)		
320	--	Connector Assembly	INBUS ASSY	1/1/2/2/2 (V431290)		
321	--	Connector Assembly	2426&2426 2P 900L	(V541440)		
322	--	Connector Assembly	2426&2426 5P 900L	(V541490)		
330	--	Connector Assembly	STBUS ASSY	(V431310)		
340	--	Connector Assembly	INSERT ASSY	(V431250)		
500	--	Cord Binder	KWS-2 KSS	17/17/19/19/19 (V295160)		
510	VV104600	Cord Holder	CV-100	6/6/9/9/9		01
520	--	Cord Binder	TS-1214 KSS	(V487090)		
		ACCESSORIES				
1	V2301600	DC Power Supply Cable				22
* 1a	V3228500	Connector	10 PLS-2410-PMA			
* 1b	V3228400	Connector	10 PLS-2410-PFA			

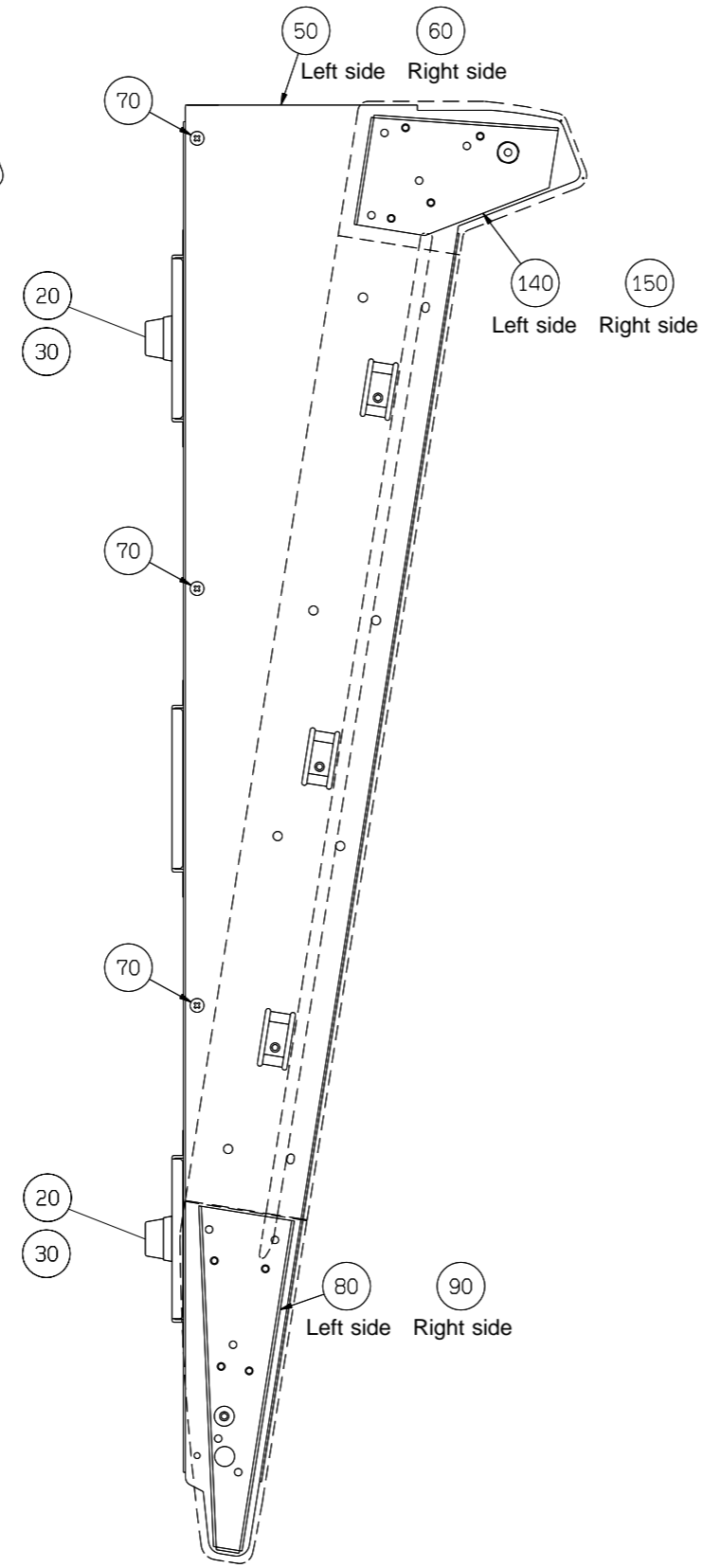
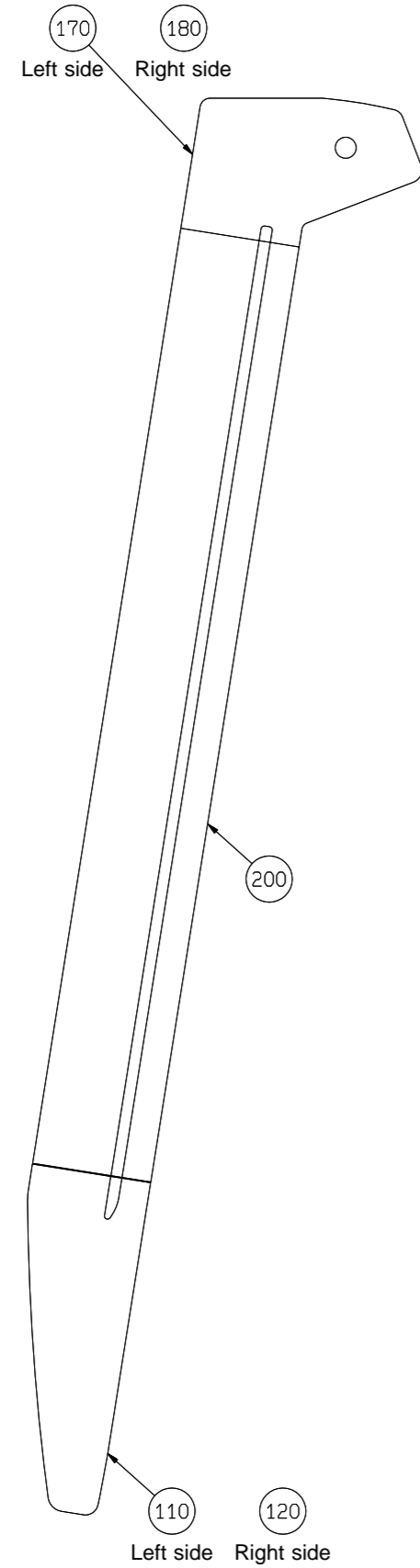
*: New Parts

RANK: Japan only

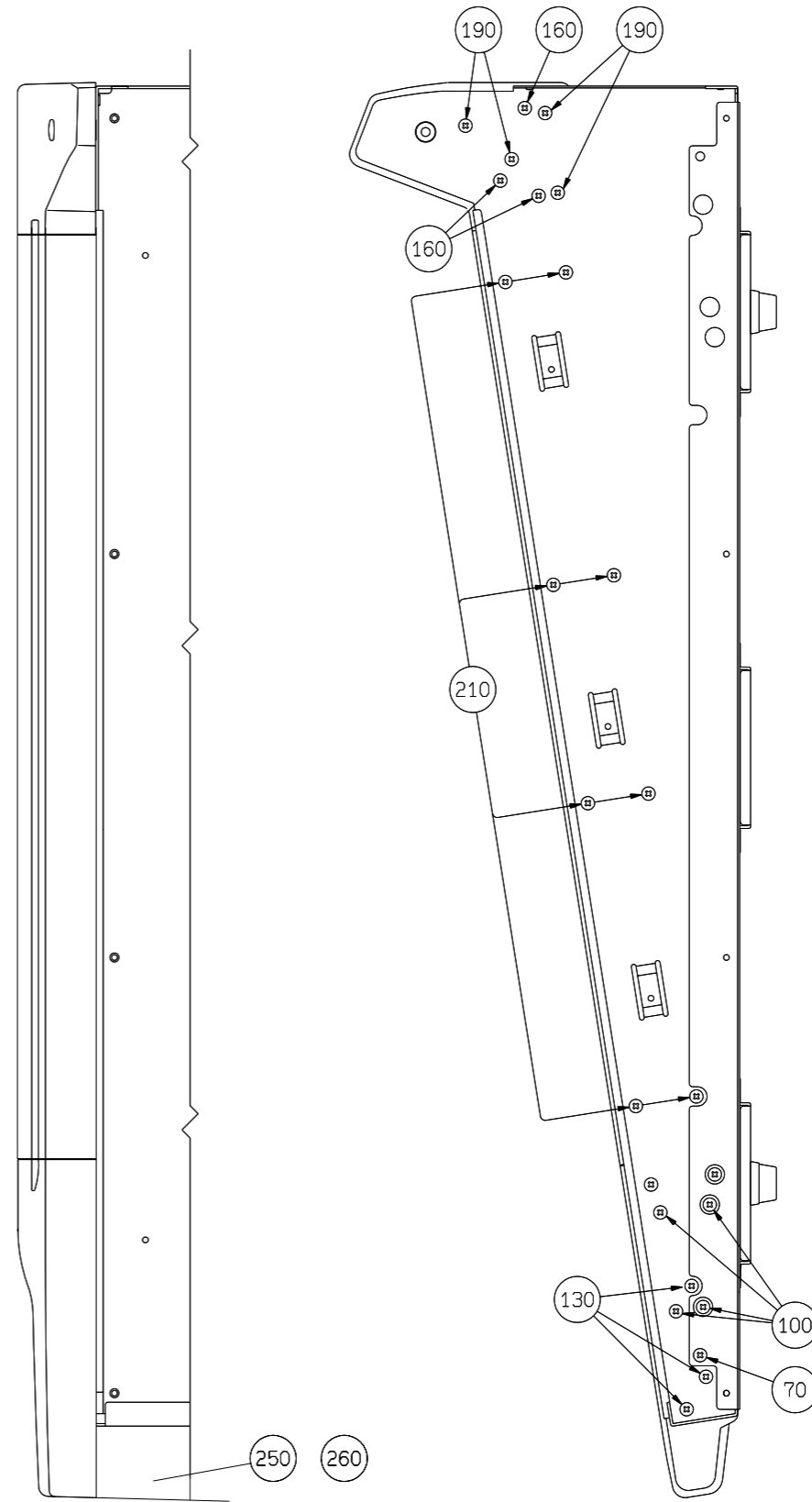


CHASSIS ASSEMBLY

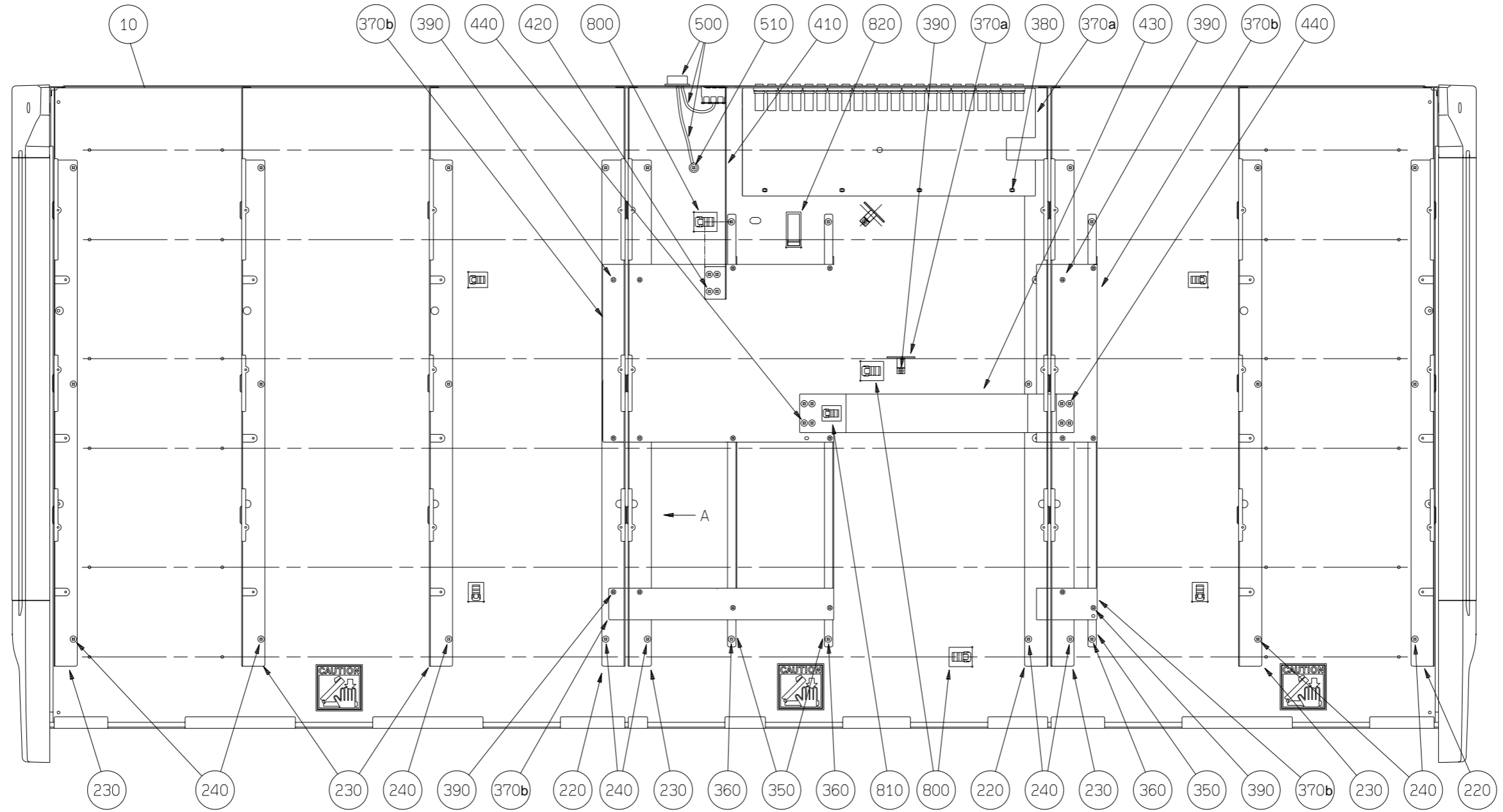
• Left side view

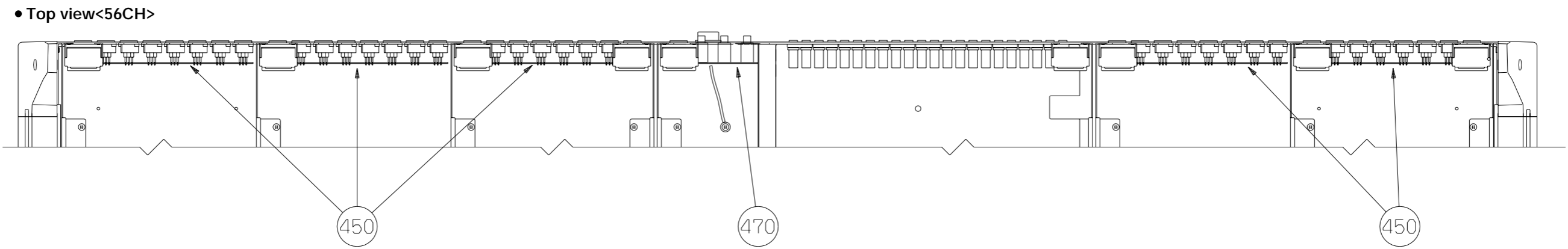
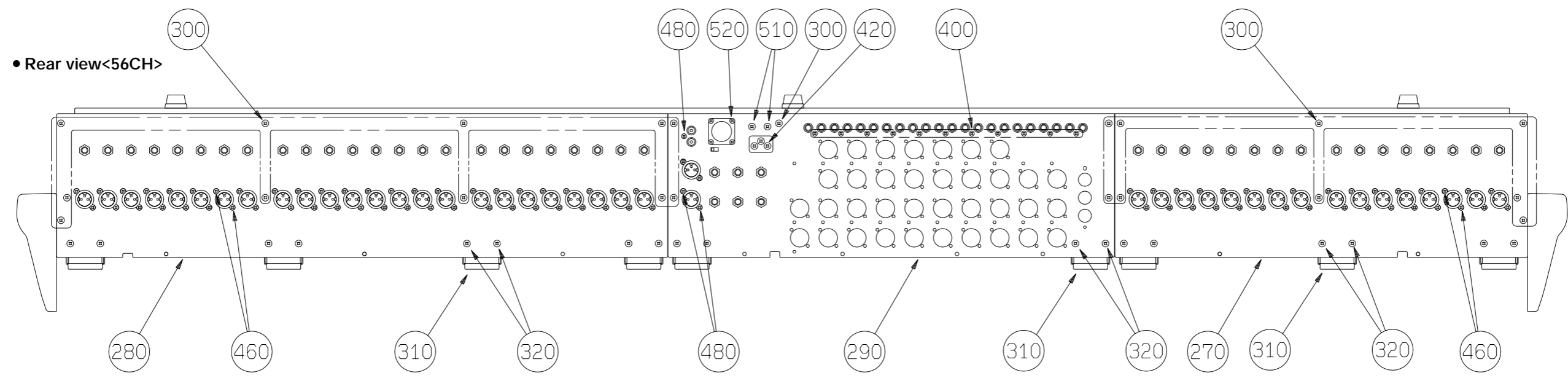
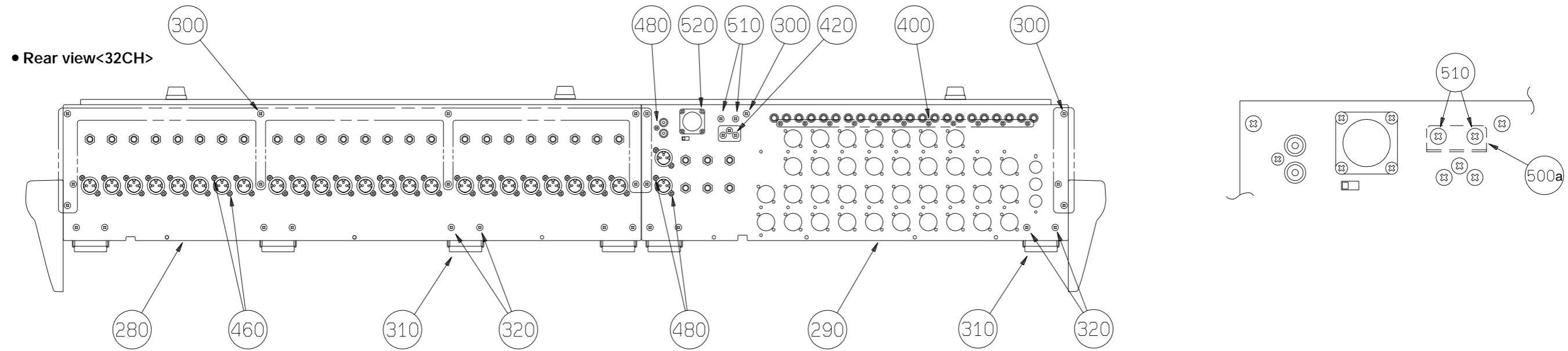


• Right side view



• Top view<56CH>





REF NO.	PART NO.	DESCRIPTION	REMARKS	QTY	RANK
	--	SHASSIS ASSEMBLY	M2500-24/32/40/48/56		
	--	Shassis Assembly	24CH (V442480)		
	--	SHassis Assembly	32CH (V442490)		
	--	Shassis Assembly	40CH (V442500)		
	--	Shassis Assembly	48CH (V442510)		
	--	Shassis Assembly	56CH (V442520)		
10	--	Bottom Shassis	24CH (V426250)		
10	--	Bottom Shassis	32CH (V426260)		
10	--	Bottom Shassis	40CH (V426270)		
10	--	Bottom Shassis	48CH (V426280)		
10	--	Bottom Shassis	56CH (V426290)		
20	VV085600	Foot	6/6/6/8	01	
30	VR138400	Bind Head Tapping Screw-B	4.0X12 MFZN2BL	01	
50	--	Side Frame	LEFT (V426300)		
60	--	Side Frame	RIGHT (V426310)		
70	EG340190	Bind Head Tapping Screw-B	4.0X8 MFZN2BL	8	01
80	V2428500	Corner Pad Angle Bracket	FRONT LEFT		05
90	V2428600	Corner Pad Angle Bracket	FRONT RIGHT		05
100	EG340190	Bind Head Tapping Screw-B	4.0X8 MFZN2BL	8	01
110	V2311400	Corner Pad	FRONT LEFT		06
120	V2311500	Corner Pad	FRONT RIGHT		06
130	VS205900	Bind Head Tapping Screw-B	4.0X20 MFZN2BL	10	01
140	V2428700	Corner Pad Angle Bracket	REAR LEFT		05
150	V2428800	Corner Pad Angle Bracket	REAR RIGHT		05
160	EG340190	Bind Head Tapping Screw-B	4.0X8 MFZN2BL	6	01
170	V2311600	Corner Pad	REAR LEFT		05
180	V2311700	Corner Pad	REAR RIGHT		05
190	VS205900	Bind Head Tapping Screw-B	4.0X20 MFZN2BL	8	01
200	V2311200	Side Pad		2	16
210	EG340190	Bind Head Tapping Screw-B	4.0X8 MFZN2BL	16	01
220	--	Center Frame	LEFT (V426320)	3	
230	--	Center Frame	RIGHT (V426330)		
240	EG340190	Bind Head Tapping Screw-B	4.0X8 MFZN2BL		01
250	V4265000	Front Pad	24CH		
250	V4265100	Front Pad	32CH		
250	V4265200	Front Pad	40CH		
250	V4265300	Front Pad	48CH		
250	V4265400	Front Pad	56CH		
260	EG340190	Bind Head Tapping Screw-B	4.0X8 MFZN2BL		01
270	--	Rear Panel	16		
270	--	Rear Panel	24L (V426350)		
270	--	Rear Panel	32 (V426360)		
280	--	Rear Panel	24L (V426380)		
280	--	Rear Panel	24CH, 40CH (V426360)		
280	--	Rear Panel	32 (V426380)		
280	--	Rear Panel	24R1 (V426370)		
280	--	Rear Panel	24R2 (V431180)		
290	--	Rear Panel	CR (V426400)		
300	EG340190	Bind Head Tapping Screw-B	4.0X8 MFZN2BL		01
310	--	Rear Stay	15/17/21/23/25		
320	EG340190	Bind Head Tapping Screw-B	4.0X8 MFZN2BL		01
350	--	PCB Support	6/6/9/10/11 (V446330)		
360	EG340190	Bind Head Tapping Screw-B	4.0X8 MFZN2BL		01
370a	AAX09080	Circuit Board	12/14/18/20/22 (V446370)		
370b	AAX09090	Circuit Board	2/2/3/3/3 (V446370)		
380	VZ336600	PCB Support	6/6/9/9/9	4	01
390	EP600190	Bind Head Tapping Screw-B	3.0X8 MFZN2BL		01
400	VN413300	Bonding Tapping Screw-B	3.0X8 MFZN2BL	11	01
410	V2425100	Earth Bar	LARGE		05
420	EG340360	Bind Head Screw	4.0X8 MFZN2BL	7	01
430	--	Bus Earth Bar	40,48,56CH (V426600)		
440	EG340360	Bind Head Screw	4.0X8 MFZN2BL	8	01
450	AAX08980	Circuit Board	40,48,56CH		
460	VN413300	Bonding Tapping Screw-B	3/4/5/6/7		
470	AAX08990	Circuit Board	48/64/80/96/112		01
480	VN413300	Bonding Tapping Screw-B	STJK		
500	V4290700	Connector Assembly	3.0X8 MFZN2BL	5	01
500a	V2558000	Connector, DC	DC IN ASSY		11
510	EG340360	Bind Head Screw	10 PLS-2410-RF	3	01
520	EP600190	Bind Head Tapping Screw-B	4.0X8 MFZN2BL	4	01
590	--	FFC Cable	3.0X8 MFZN2BL		
			2/2/6/8/10 (V468110)		

* : New Parts

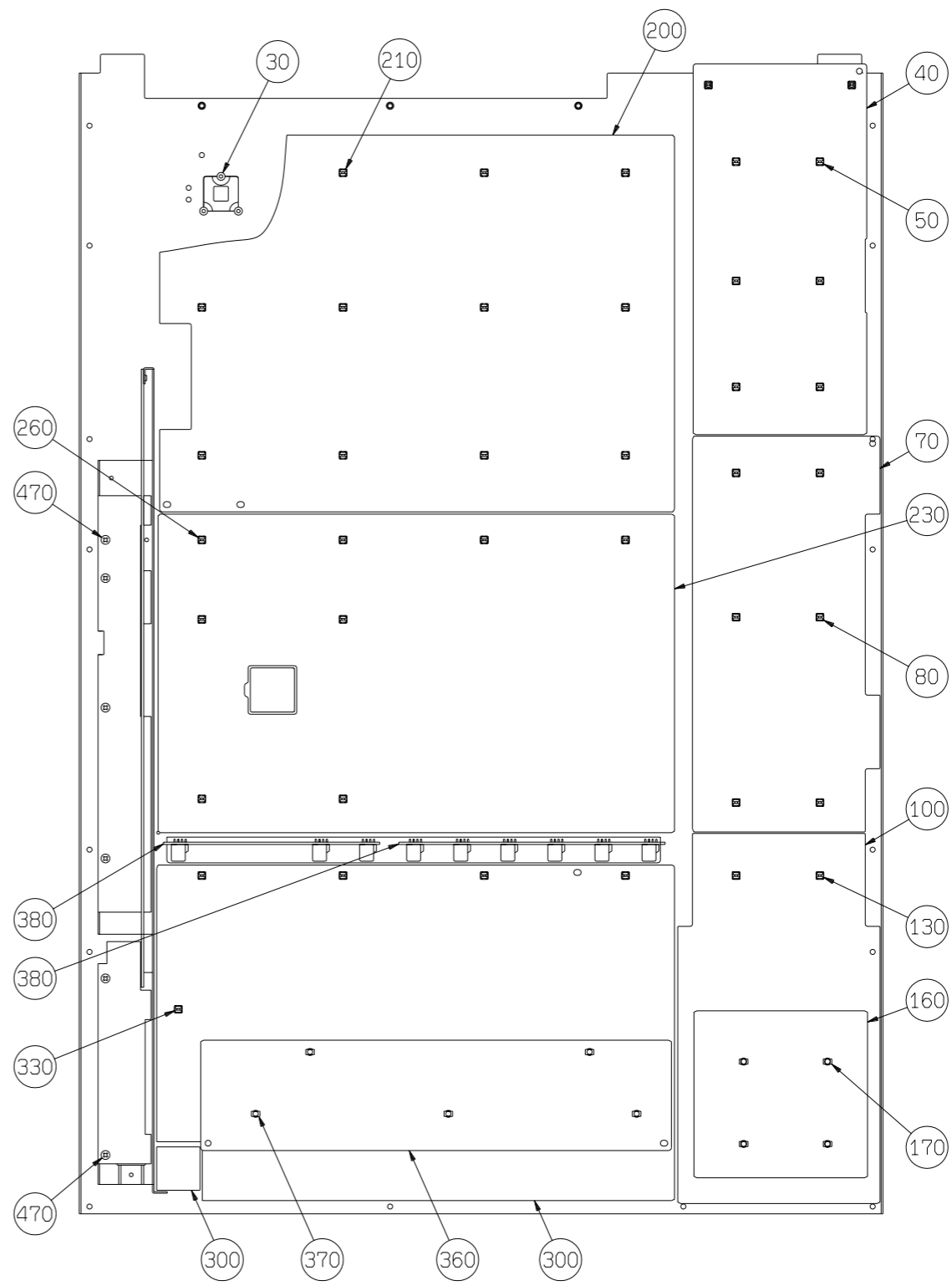
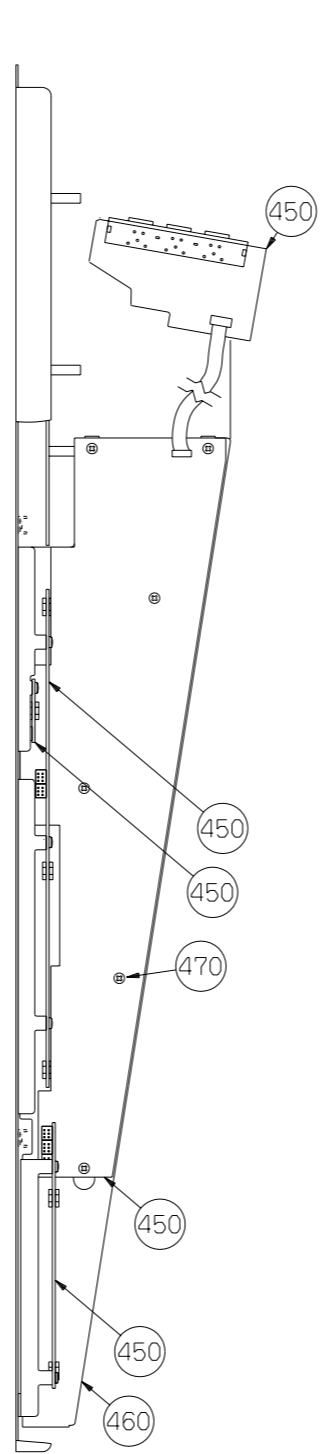
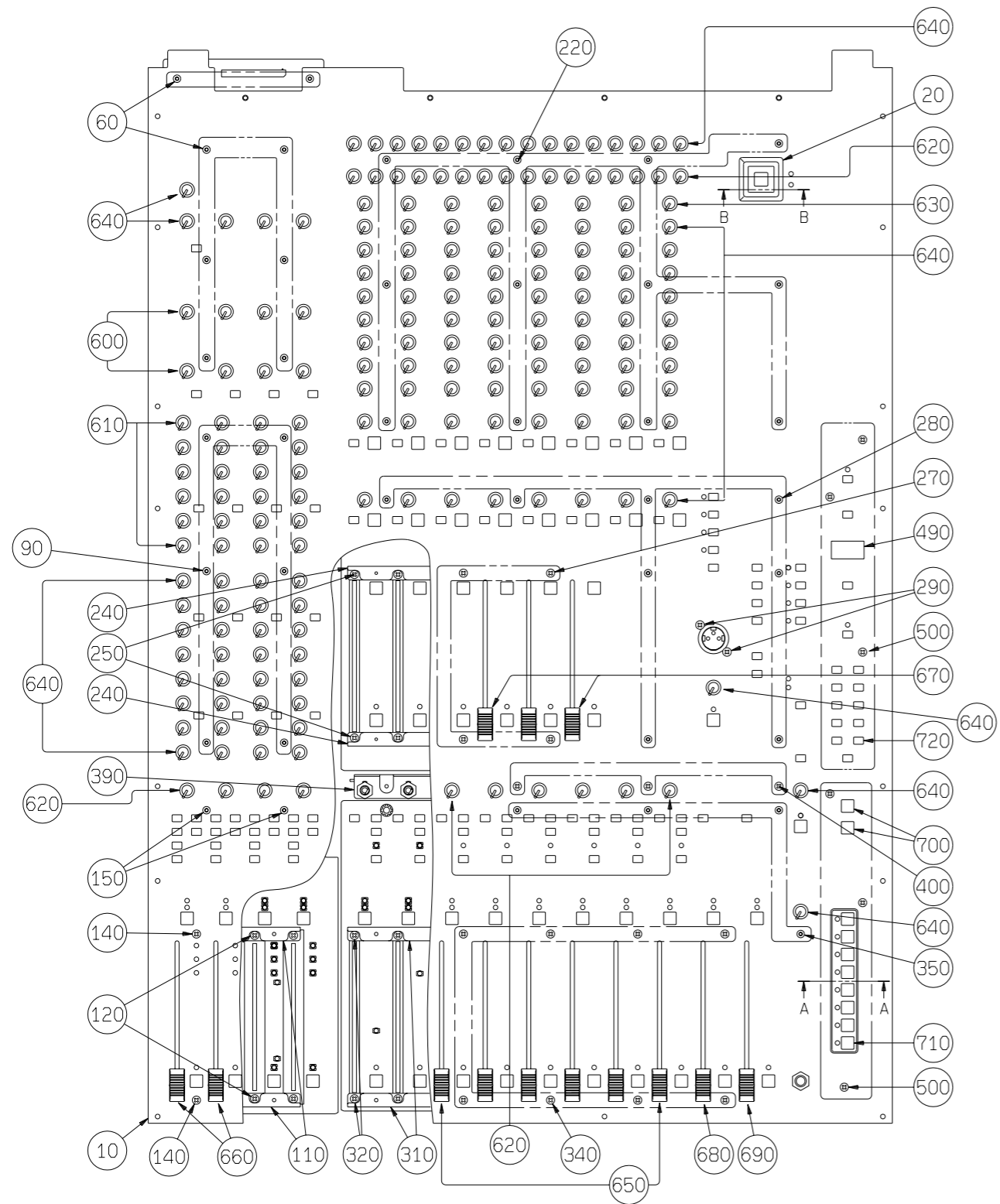
RANK : Japan only

REF NO.	PART NO.	DESCRIPTION	REMARKS	QTY	RANK
595	--	FFC Cable	SBNCDP1.25-K-35-80		
600	--	FFC Cable	BNCDP=1.25K-14-400		5
610	--	FFC Cable	BNCDP=1.25K-20-300	40,48,56CH	(V436070)
620	--	FFC Cable	BNCDP=1.25K-20-600	2/2/3/3/3	(V436090)
630	--	FFC Cable	BNCDP=1.25K-24-300		(V436120)
640	--	FFC Cable	BNCDP=1.25K-35-300	40,48,56CH	(V436150)
650	--	Connector Assembly	KR-KR 2P 300L		(V468170)
660	--	Connector Assembly	KR-KR 6P 750L		(V541910)
670	--	Connector Assembly	KR-KR 8P 700L		(V468250)
680	--	Connector Assembly	KR-KR 9P 700L		(V468290)
690	--	Connector Assembly	KR-KR 12P 850L		(V468320)
700	--	Connector Assembly	2426&2426 11P 350L	48CH	(V444570)
710	--	Connector Assembly	KR-KR 13P 500L		(V468340)
800	--	Cord Binder	TS-1214 KSS		(V487090)
810	VZ765100	Cord Binder	TS-0708 KSS	2/2/3/3/3	
820	--	Cable Clamp	FCW-30		(V487100)

* : New Parts

RANK : Japan only

MASTER ASSEMBLY



REF NO.	PART NO.	DESCRIPTION	REMARKS	QTY	RANK
		MASTER ASSEMBLY	M2500-24/32/40/48/56		
	--	MASTER Assembly	(V442530)		
* 10	V4262400	Control Panel	MASTER		
* 20	V4266400	Escutcheon			
30	V2256500	Stop Ring	2.4	3	01
* 40	V4313700	Circuit Board	ST1		
50	V3291600	PCB Support	BL	8	01
60	V3289800	Hexagon Socket Tapping Scr	3X25 MFZNBL	8	01
* 70	V4313800	Circuit Board	ST2		
80	V3291600	PCB Support	BL	6	01
90	V3289800	Hexagon Socket Tapping Scr	3X25 MFZNBL	6	01
* 100	V4313900	Circuit Board	ST3		
110	--	Fader Fittings ST		2	
120	VR139400	Bind Head Screw	3.0X4 MFZN2BL	8	01
130	V3291600	PCB Support	BL	2	01
140	EP600190	Bind Head Tapping Screw-B	3.0X8 MFZN2BL	4	01
150	V3289800	Hexagon Socket Tapping Scr	3X25 MFZNBL	2	01
* 160	AA09020	Circuit Board	ST4		
170	VZ336600	PCB Support	CBS-6K	4	01
* 200	V4314100	Circuit Board	MAS1		
210	V3291600	PCB Support	BL	12	01
220	V3289800	Hexagon Socket Tapping Scr	3X25 MFZNBL	12	01
* 230	V4314200	Circuit Board	MAS2		
240	--	Fader Fittings AUX		2	
250	VR139400	Bind Head Screw	3.0X4 MFZN2BL	12	01
260	V3291600	PCB Support	BL	8	01
270	EP600190	Bind Head Tapping Screw-B	3.0X8 MFZN2BL	6	01
280	V3289800	Hexagon Socket Tapping Scr	3X25 MFZNBL	8	01
290	VN413300	Bonding Tapping Screw-B	3.0X8 MFZN2BL	2	01
* 300	V4314400	Circuit Board	MAS3		
310	--	Fader Fittings GRP		2	
320	VR139400	Bind Head Screw	3.0X4 MFZN2BL	20	01
330	V3291600	PCB Support	BL NIFCO	5	01
340	EP600190	Bind Head Tapping Screw-B	3.0X8 MFZN2BL	10	01
350	V3289800	Hexagon Socket Tapping Scr	3X25 MFZNBL	5	01
* 360	AA09040	Circuit Board	MAS4		
370	VZ336600	PCB Support	CBS-6K GIN LIAN	7	01
* 380	AA09030	Circuit Board	MASPAN		
390	--	VR Fitting MA		4	
400	EP600190	Bind Head Tapping Screw-B	3.0X8 MFZN2BL	4	01
450a	VN103500	Lithium Battery	CR2032		03
* 450b	V4314600	Circuit Board	CTRL		
460	--	Shield Plate CTL		12	
470	EP600190	Bind Head Tapping Screw-B	3.0X8 MFZN2BL	12	01
480	--	Window			
490	--	Guide			
500	EP600190	Bind Head Tapping Screw-B	3.0X8 MFZN2BL	6	01
600	VU860200	Knob (small)	MX-GREEN/D-GRAY	8	01
610	VU860300	Knob (small)	MX-BLUE/D-GRAY	24	01
620	VU860400	Knob (small)	RED/D-GRAY	28	01
* 630	V4470000	Knob (small)	YELLOW/D-GRAY	8	
640	VU859700	Knob (small)	N-GRAY/D-GRAY	136	01
			GLP/AUX1-8(PAN1-8), MATRIX1-8(ST-L,R) MATRIX1-8(MONO/C) STEREO1-8(GAIN A,GAIN B, GAIN,AUC7-14), MATRIX1-8(SUS L,SUS R, G1/A7-G8/A14), A7/G1-A14/G8(LEVEL), TB/OSC,MONOTOR LEVEL, PHONES		
650	V2947000	Fader Knob	BLACK/N-GRAY	8	01
660	VV135600	Fader Knob	RED/CD-GRAY	4	01
670	V2946900	Fader Knob	BLACK/MX-BLUE	6	01
680	VU860600	Fader Knob	CL-GRAY/RED		01
* 690	V4468900	Fader Knob	BLACK/YELLOW		
700	VZ968600	Button L	NO.947 CD-GRAY	2	01
710	VZ968700	Button L	NO.946 CL-GRAY	8	01
720	VZ968500	Button S	NO.947 CD-GRAY	15	01
800	--	FFC Cable	BNCDP=1.25K-6-50		
810	--	FFC Cable	BNCDP=1.25K-6-70		

* : New Parts

RANK : Japan only

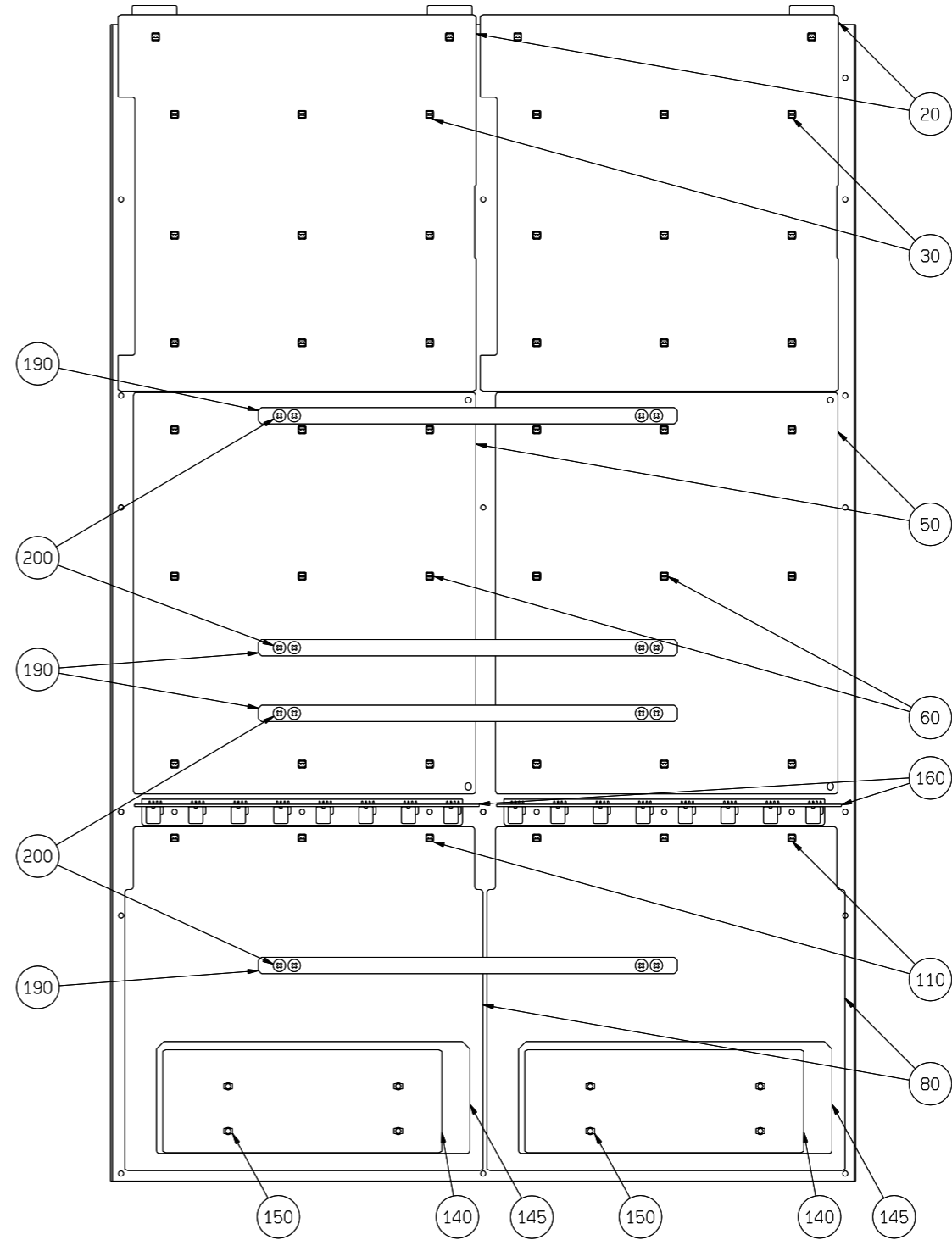
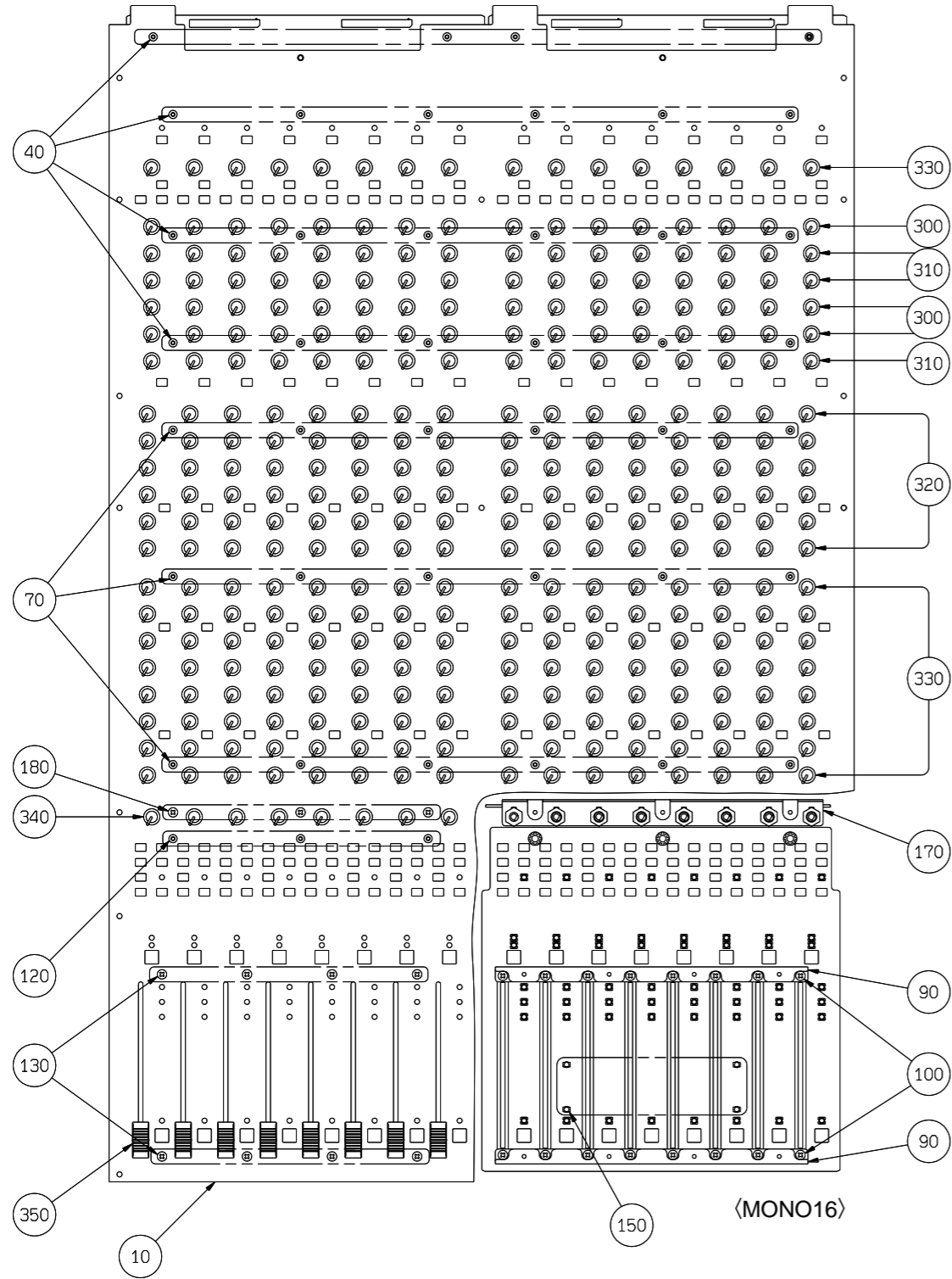
REF NO.	PART NO.	DESCRIPTION	REMARKS	QTY	RANK
820	--	FFC Cable	BNCDP=1.25K-8-60		
830	--	FFC Cable	BNCDP=1.25K-6-100		5
840	--	FFC Cable	BNCDP=1.25K-14-60		8
850	--	FFC Cable	BNCDP=1.25K-14-150		2
870	--	Connector Assembly	KR-KR 2P 80L		2
880	--	Connector Assembly	KR-KR 4P 60L		
890	--	Connector Assembly	KR-KR 5P 250L		
900	--	Connector Assembly	KR-KR 9P 180L		
910	--	Connector Assembly	KR-KR 11P 250L		
920	--	Connector Assembly	2426&2426 10P 60L		

* : New Parts

RANK : Japan only

■ MONO IN ASSEMBLY

(MONO16, MONO24 & MONO32)



REF NO.	PART NO.	DESCRIPTION	REMARKS	QTY	RANK
	--	MONO 16 ASSEMBLY	M2500-40		
	--	MONO 16 Assembly	(V442540)		
* 10	V4261700	Control Panel	16CH		
* 20	V4313200	Circuit Board	IN1	2	
30	V3291600	PCB Support	BL	22	01
40	V3289800	Hexagon Socket Tapping Scr	3X25 MFZNBL	22	01
* 50	V4313300	Circuit Board	IN2	2	
60	V3291600	PCB Support	BL	18	01
70	V3289800	Hexagon Socket Tapping Scr	3X25 MFZNBL	18	01
* 80	V4313500	Circuit Board	IN3	2	
90	--	Fader Fittings MO			(V426430)
100	VR139400	Bind Head Screw	3.0X4 MFZN2BL	4	01
110	V3291600	PCB Support	BL	6	01
120	V3289800	Hexagon Socket Tapping Scr	3X25 MFZNBL	6	01
130	EP600190	Bind Head Tapping Screw-B	3.0X8 MFZN2BL	16	01
* 140	AAX09010	Circuit Board	IN4		
145	--	Shield Plate S			(V473810)
150	--	PCB Support	CS-0305 KSS		(V487810)
* 160	AAX09000	Circuit Board	INPAN		
170	--	VR Fittings MO			(V426410)
180	EP600190	Bind Head Tapping Screw-B	3.0X8 MFZN2BL	6	01
190	--	Earth Bar 16			(V426610)
200	EG340360	Bind Head Screw	4.0X8 MFZN2BL	16	01
300	VU860200	Knob (small)	MX-GREEN/D-GRAY	48	01
310	VZ968800	Knob (small)	556C-LGREEN/D-GRAY	48	01
320	VU860300	Knob (small)	MX-BLUE/D-GRAY	96	01
330	VU859700	Knob (small)	N-GRAY/D-GRAY	144	01
340	VU860400	Knob (small)	RED/D-GRAY	16	01
350	VU860500	Fader Knob	BLACK/CL-GRAY	16	01
400	--	FFC Cable	BNCDP=1.25K-6-50		(V435960)
410	--	FFC Cable	BNCDP=1.25K-8-60		(V435990)
420	--	FFC Cable	BNCDP=1.25K-14-150		(V436030)
430	--	FFC Cable	BNCDP=1.25K-24-50		(V436100)
450	--	FFC Cable	BNCDP=1.25K-20-90		(V436060)
460	--	Connector Assembly	KR-KR 3P 40L		(V468180)
470	--	Connector Assembly	KR-KR 5P 40L		(V468200)
490	--	Connector Assembly	KR-KR 7P 40L		(V362110)
500	--	Connector Assembly	KR-KR 10P 40L		(V468300)
510	--	Connector Assembly	KR-KR 13P 40L		(V468330)
520	--	Connector Assembly	KR-KR 4P 120L		(V487960)
530	--	FFC Cable	BNCDP=1.25K-6-100		(V468130)
540	--	Connector Assembly	2426&2426 2P 80L		
	--	MONO 24 ASSEMBLY	M2500-24/40/48/56		
	--	MONO 24 Assembly	(V442550)		
* 10	V4262200	Control Panel	24CH		
* 20	V4313200	Circuit Board	IN1	3	
30	V3291600	PCB Support	BL	33	01
40	V3289800	Hexagon Socket Tapping Scr	3X25 MFZNBL	33	01
* 50	V4313300	Circuit Board	IN2	3	
60	V3291600	PCB Support	BL	27	01
70	V3289800	Hexagon Socket Tapping Scr	3X25 MFZNBL	27	01
* 80	V4313500	Circuit board	IN3	3	
90	--	Fader Fittings MO			(V426430)
100	VR139400	Bind Head Screw	3.0X4 MFZN2BL	6	01
110	V3291600	PCB Support	BL	9	01
120	V3289800	Hexagon Socket Tapping Scr	3X25 MFZNBL	9	01
130	EP600190	Bind Head Tapping Screw-B	3.0X8 MFZN2BL	24	01
* 140	AAX09010	Circuit Board	IN4	3	
145	--	Shield Plate S			(V473810)
150	--	PCB Support	CS-0305 KSS		(V487810)
* 160	AAX09000	Circuit Board	INPAN	3	
170	--	VR Fittings MO			(V426410)
180	EP600190	Bind Head Tapping Screw-B	3.0X8 MFZN2BL	9	01
190	--	Earth Bar 24			(V426620)
200	EG340360	Bind Head Screw	4.0X8 MFZN2BL	24	01
300	VU860200	Knob (small)	MX-GREEN/D-GRAY	72	01
310	VZ968800	Knob (small)	556C-LGREEN/D-GRAY	72	01
320	VU860300	Knob (small)	MX-BLUE/D-GRAY	144	01
330	VU859700	Knob (small)	N-GRAY/D-GRAY	216	01

* : New Parts

RANK : Japan only

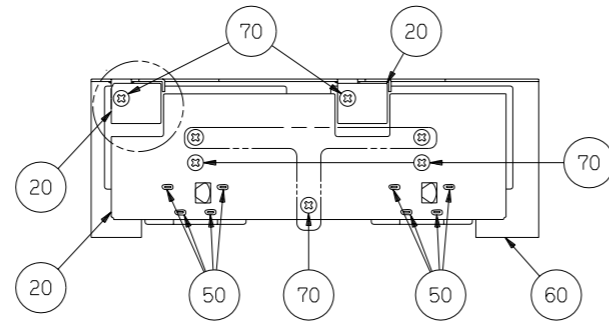
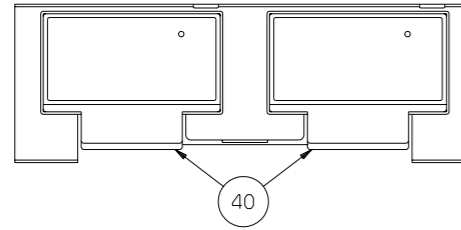
REF NO.	PART NO.	DESCRIPTION	REMARKS	QTY	RANK
340	VU860400	Knob (small)	RED/D-GRAY		
350	VU860500	Fader Knob	BLACK/CL-GRAY		
400	--	FFC Cable	BNCDP=1.25K-6-50		(V435960)
410	--	FFC Cable	BNCDP=1.25K-8-60		(V435990)
420	--	FFC Cable	BNCDP=1.25K-14-150		(V436030)
430	--	FFC Cable	BNCDP=1.25K-24-50		(V436100)
450	--	FFC Cable	BNCDP=1.25K-20-90		(V436060)
460	--	Connector Assembly	KR-KR 3P 40L		(V468180)
470	--	Connector Assembly	KR-KR 5P 40L		(V468200)
490	--	Connector Assembly	KR-KR 7P 40L		(V362110)
500	--	Connector Assembly	KR-KR 10P 40L		(V468300)
510	--	Connector Assembly	KR-KR 13P 40L		(V468330)
520	--	Connector Assembly	KR-KR 4P 120L		(V487960)
530	--	FFC Cable	BNCDP=1.25K-6-100		(V468130)
540	--	Connector Assembly	2426&2426 2P 80L		
	--	MONO 32 ASSEMBLY	M2500-32/56		
	--	MONO 32 Assembly	(V442560)		
* 10	V4262300	Control Assembly	32CH		
* 20	V4313200	Circuit Board	IN1	4	
30	V3291600	PCB Support	BL	44	01
40	V3289800	Hexagon Socket Tapping Scr	3X25 MFZNBL	44	01
* 50	V4313300	Circuit Board	IN2	4	
60	V3291600	PCB Support	BL	36	01
70	V3289800	Hexagon Socket Tapping Scr	3X25 MFZNBL	36	01
* 80	V4313500	Circuit Board	IN3	4	
90	--	Fader Fittings MO			(V426430)
100	VR139400	Bind Head Screw	3.0X4 MFZN2BL	64	01
110	V3291600	PCB Support	BL	12	01
120	V3289800	Hexagon Socket Tapping Scr	3X25 MFZNBL	12	01
130	EP600190	Bind Head Tapping Screw-B	3.0X8 MFZN2BL	32	01
* 140	AAX09010	Circuit Board	IN4	2	
145	--	Shield Plate S			(V473810)
150	--	PCB Support	CS-0305 KSS		(V487810)
* 160	AAX09000	Circuit Board	INPAN	2	
170	--	VR Fittings MO			(V426410)
180	EP600190	Bind Head Tapping Screw-B	3.0X8 MFZN2BL	12	01
190	--	Earth Bar 32			(V426630)
200	EG340360	Bind Head Screw	4.0X8 MFZN2BL	32	01
300	VU860200	Knob (small)	MX-GREEN/D-GRAY	96	01
310	VZ968800	Knob (small)	556C-LGREEN/D-GRAY	96	01
320	VU860300	Knob (small)	MX-BLUE/D-GRAY	192	01
330	VU859700	Knob (small)	N-GRAY/D-GRAY	288	01
340	VU860400	Knob (small)	RED/D-GRAY	32	01
350	VU860500	Fader Knob	BLACK/CL-GRAY	32	01
400	--	FFC Cable	BNCDP=1.25K-6-50		(V435960)
410	--	FFC Cable	BNCDP=1.25K-8-60		(V435990)
420	--	FFC Cable	BNCDP=1.25K-14-150		(V436030)
430	--	FFC Cable	BNCDP=1.25K-24-50		(V436100)
450	--	FFC Cable	BNCDP=1.25K-20-90		(V436060)
460	--	Connector Assembly	KR-KR 3P 40L		(V468180)
470	--	Connector Assembly	KR-KR 5P 40L		(V468200)
490	--	Connector Assembly	KR-KR 7P 40L		(V362110)
500	--	Connector Assembly	KR-KR 10P 40L		(V468300)
510	--	Connector Assembly	KR-KR 13P 40L		(V468330)
520	--	Connector Assembly	KR-KR 4P 120L		(V487960)
530	--	FFC Cable	BNCDP=1.25K-6-100		(V468130)

* : New Parts

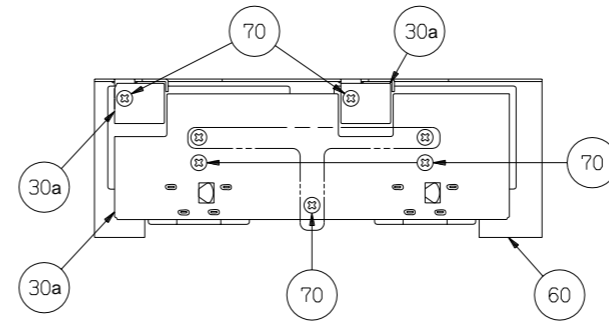
RANK : Japan only

METER PANEL ASSEMBLY

• Front view

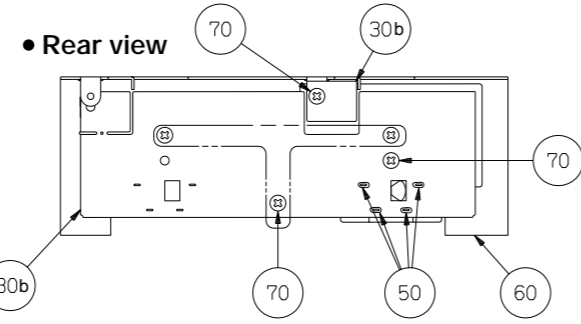
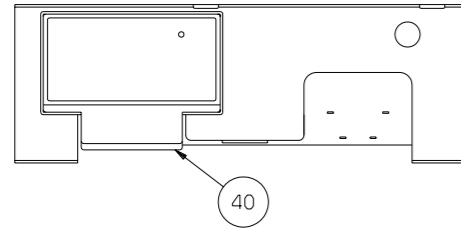


1 / 7 - 8 / 14 (4 pcs.)



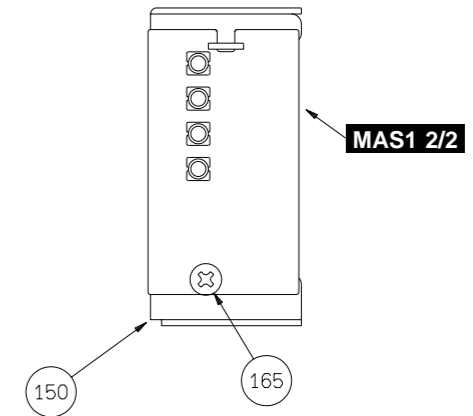
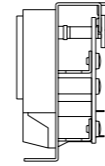
STEREO L & MONO (1 pcs.)

• Front view



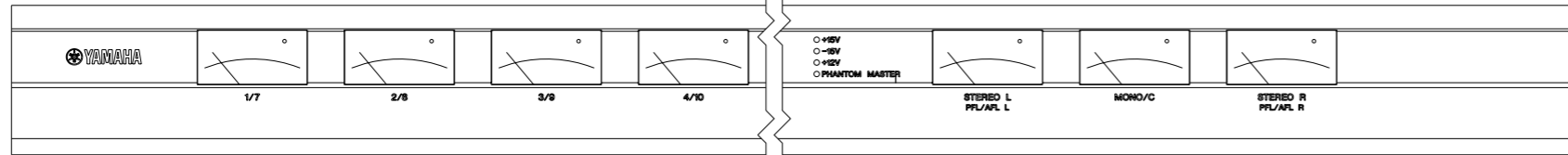
STEREO R (1 pcs.)

• Right side view

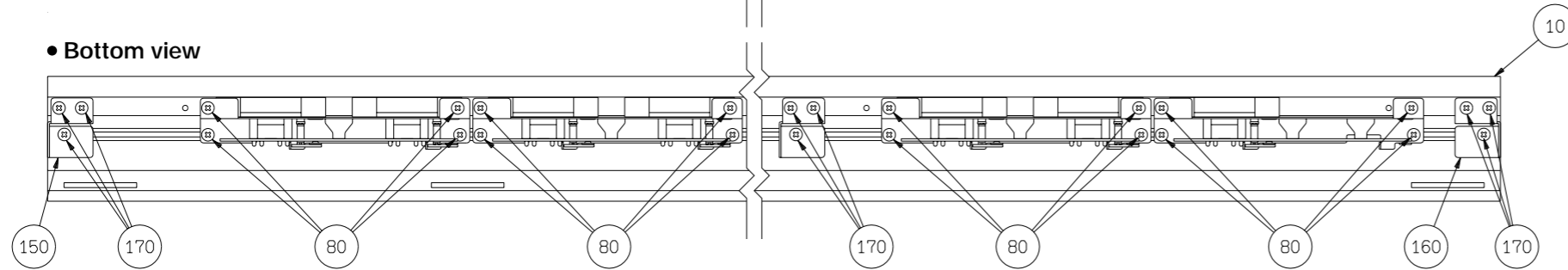


Power supply LED

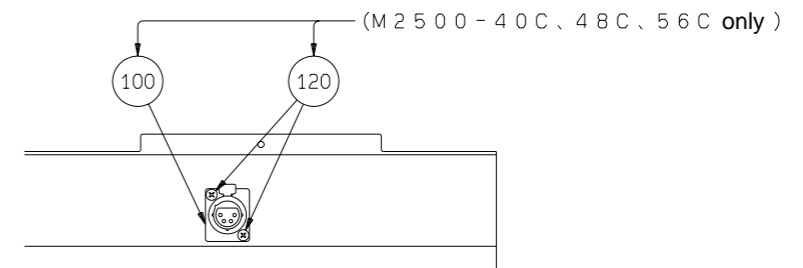
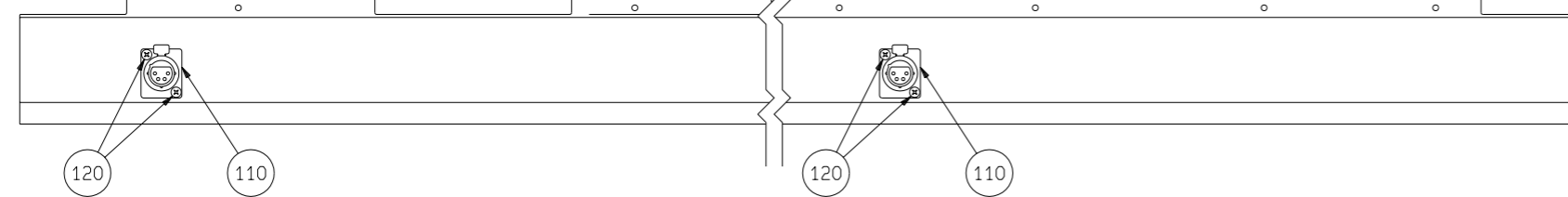
• Front view



• Bottom view



• Rear view



REF NO.	PART NO.	DESCRIPTION		REMARKS	QTY	RANK
	--	METER PANEL ASSEMBLY				
	--	Meter Panel Assembly		24CH (V442570)		
	--	Meter Panel Assembly		32CH (V442580)		
	--	Meter Panel Assembly		40CH (V442590)		
	--	Meter Panel Assembly		48CH (V442600)		
	--	Meter Panel Assembly		56CH (V442610)		
* 10	V4265500	Meter Panel		24CH		
* 10	V4265600	Meter Panel		32CH		
* 10	V4265700	Meter Panel		40CH		
* 10	V4265800	Meter Panel		48CH		
* 10	V4265900	Meter Panel		56CH		
* 20	AAX09060	Circuit Board	METER1		2	
* 30a	AAX09100	Circuit Board	METER2 1/2 1,2,3/3			
* 30b	AAX09070	Circuit Board	METER2 2/2 1,2/3			
* 40	V3855100	Analog Meter	VU TN-72		11	
60	--	Meter Bracket		(V426470)	6	
70	EP600190	Bind Head Tapping Screw-B	3.0X8 MFZN2BL		29	01
75	EP600190	Bind Head Tapping Screw-P	3.0X8 MFZN2BL		11	01
80	EG340190	Bind Head Tapping Screw-B	4.0X8 MFZN2BL		26	01
100	V2426000	Connector Assembly	LAMP L ASSY			09
100a	FG644100	Ceramic Capacitor-F	0.01 50V Z			01
100b	VS647300	XLM Connector	HA16PRK-4S			07
110	V2426100	Connector Assembly	LAMP S ASSY		2	09
110a	FG644100	Ceramic Capacitor-F	0.01 50V Z			01
110b	VS647300	XLM Connector	HA16PRK-4S			07
120	EE620190	Pan Head Screw	2.6X8 MFNI33	4/4/6/6/6	4	01
150	--	Meter Panel Fittings L		(V426480)	2	
160	--	Meter Panel Fittings R		(V426490)		
165	EP600190	Bind Head Tapping Screw-B	3.0X8 MFZN2BL			01
170	EG340190	Bind Head Tapping Screw-B	4.0X8 MFZN2BL		9	01
200	--	Connector Assembly	KR-KR 9P 60L	(V468260)	4	
210	--	Connector Assembly	KR-KR 9P 140L	(V468280)		

*: New Parts

RANK: Japan only

ELECTRICAL PARTS

REF NO.	PART NO.	DESCRIPTION	REMARKS	QTY	RANK
		ELECTRICAL PARTS	M2500-24/32/40/48/56		
*	V4314600	Circuit board	CTRL (XW219B0)		
*	V4313200	Circuit Board	IN1 (XW201B0)		
*	V4313300	Circuit Board	IN2 (XW202B0)		
*	V4313500	Circuit Board	IN3 (XW203B0)		
*	AAX09010	Circuit Board	IN4 (XW204B0)		
*	AAX08980	Circuit Board	INJK (XW206B0)		
*	AAX09000	Circuit Board	INPAN (XW205B0)		
*	AAX09080	Circuit Board	ISRT 1,6/6 (XW217B0)		
*	AAX09090	Circuit Board	ISRT 2,3,4,5/6 (XW217B0)		
*	V4314100	Circuit Board	MAS1 (XW212B0)		
*	V4314200	Circuit Board	MAS2 (XW213B0)		
*	V4314400	Circuit Board	MAS3 (XW21BA0)		
*	AAX09040	Circuit Board	MAS4 (XW215B0)		
*	AAX09030	Circuit Board	MASPAN (XW216B0)		
*	AAX09060	Circuit Board	METER1 (XW218B0)		
*	AAX09070	Circuit Board	METER2 2/2 1,2/3 (XW600B0)		
*	AAX09100	Circuit Board	METER2 1/2 1,2,3/3 (XW600B0)		
*	NX819680	Circuit Board	MSOUT1 (XV388D0)		
*	NX819720	Circuit Board	MSOUT2 (XV388D0)		
*	AAX09050	Circuit Board	MASOUT3 (XW601B0)		
*	V4313700	Circuit Board	ST1 (XW207B0)		
*	V4313800	Circuit Board	ST2 (XW208B0)		
*	V4313900	Circuit Board	ST3 (XW209B0)		
*	AAX09020	Circuit Board	ST4 (XW210B0)		
*	AAX08990	Circuit Board	STJK (XW211B0)		
*	V4314600	Circuit board	CTRL (XW219B0)		
	CB056250	LED Spacer			01
	VL184700	IC Socket	DICF-28CS-E		02
	VN103600	Battery Holder	CR2032		03
CN001	VN304300	Connector	5532-NA 6P TE		01
-007	VN304300	Connector	5532-NA 6P TE		01
CN008	VB390000	Connector Base Post	PH- 4P TE		01
CN101	VN304000	Connector	5533-NAPB 6P SE		01
-107	VN304000	Connector	5533-NAPB 6P SE		01
CN108	V2504100	Connector Assembly	SAN&PH 4P 350L		05
CN121	VB390300	Connector Base Post	PH- 7P TE		01
CN122	VB390600	Connector Base Post	PH-10P TE		01
CN123	VB390700	Connector Base Post	PH-11P TE		01
CN124	VB390100	Connector Base Post	PH- 5P TE		01
CN224	VB390800	Connector Base Post	PH-12P TE		01
CN225	VB390400	Connector Base Post	PH- 8P TE		01
CN226	VB390500	Connector Base Post	PH- 9P TE		03
CN230	VB390200	Connector Base Post	PH- 6P TE		01
D101	VT332900	Diode	1SS355 TE-17		01
D201	VT332900	Diode	1SS355 TE-17		01
-225	VT332900	Diode	1SS355 TE-17		01
D301	VT332900	Diode	1SS355 TE-17		01
EM101	FZ006970	LC Filter	LS MT Y223NB		02
EM102	FZ006970	LC Filter	LS MT Y223NB		02
*	IC101	XW642C00	IC	EPROM 512K	
	IC102	XV411A00	IC	SRAM 256K	
	IC102	XW433A00	IC	SRAM 256K	07
	IC103	XK278A00	IC	CPU (MAIN)	
	IC104	XM047A00	IC	GATE ARRAY	09
	IC105	XQ962D00	IC	DSP3	07
	IC106	XR361A00	IC	DAC	20
	IC107	XI686A00	IC	SYSTEM RESET	07
	IC108	XN797A00	IC	OP AMP	04
	IC109	XD830A00	IC	INVERTER	02
	IC110	XC725A00	IC	INVERTER	01
	IC111	XE165A00	IC	NAND	03
	IC112	XD833A00	IC	OR	01
	IC121	XD838A00	IC	BUFFER	01
	IC122	XQ042A00	IC	D-FF	04
	IC123	XD836A00	IC	D FF	03
	IC124	XD835A00	IC	DECODER	02
	IC125	XD838A00	IC	BUFFER	02
	IC131	XD838A00	IC	BUFFER	04

*: New Parts

RANK: Japan only

REF NO.	PART NO.	DESCRIPTION		REMARKS	QTY	RANK
IC132	XH223A00	IC	SN74HC273NSR	D-FF		01
IC133	XJ467A00	IC	TD62503F	DRIVER		03
IC134	XJ467A00	IC	TD62503F	DRIVER		03
IC301	VD473200	Photo Coupler	6N137			05
IC302	XC725A00	IC	SN74HC14NSR	INVERTER		03
JK301	VI466400	DIN Connector	3DIN YKF51-5046			04
K101	VB966900	Style Pin	IMSA-6024			01
-105	VB966900	Style Pin	IMSA-6024			01
L101	VS740100	Chip Inductance	BLM21B751S 2125			03
-144	VS740100	Chip Inductance	BLM21B751S 2125			03
L151	VS740100	Chip Inductance	BLM21B751S 2125			03
-169	VS740100	Chip Inductance	BLM21B751S 2125			03
L307	VS740100	Chip Inductance	BLM21B751S 2125			03
-309	VS740100	Chip Inductance	BLM21B751S 2125			03
L311	VS740100	Chip Inductance	BLM21B751S 2125			03
-315	VS740100	Chip Inductance	BLM21B751S 2125			03
L316	VS740100	Chip Inductance	BLM21B751S 2125			03
LD201	V2693000	LED	SLR-342YY3F YE	DIRECT RECALL		01
-208	V2693000	LED	SLR-342YY3F YE			01
LD209	VR080300	LED	SLR-342MG3F GR	CHECK		01
LD210	V2693000	LED	SLR-342YY3F YE	UTILITY		01
LD211	VN135500	LED Display	LB-303VA			06
Q101	VQ736500	Digital Transistor	DTB123EK			01
-104	VQ736500	Digital Transistor	DTB123EK			01
* SW201	V3835200	Push Switch	2C-2S Non-Lock	DIRECT RECALL1-8,		
* -225	V3835200	Push Switch	2C-2S Non-Lock	SCENE MEMORY Number0-9, ENTER,CHECK,STORE,MEMORY, RECALL,UTILITY		
* X101	V4584600	Ceramic Resonator	20.00M CSTCV20.00			
* X102	V4440400	Ceramic Resonator	11.2M CSTCV11.2			
* X103	V3743900	Ceramic Resonator	30.00M CSTCV30MX			
	UB044100	Monolithic Ceramic Cap.	F 0.01 50V Z	C:141		01
	UB245100	Monolithic Ceramic Cap.	F 0.1 25V Z	C:102,104,109-111,113, 116-118,121-136,138, 139,142,143,145-149, 151-153,155,301,302, 304		01
	UF037100	Electrolytic Cap. (chip)	10 16V	C:112,144		01
	UG038100	Electrolytic Cap. (chip)	100 16V	C:101,103,105-108,114, 115,137,140,154,303		01
	RD154820	Carbon Resistor (chip)	82.0 1/4 J	R:142		01
	RD155150	Carbon Resistor (chip)	150.0 1/4 J	R:178-186		
	RD254330	Carbon Resistor (chip)	33.0 0.1 J	R:106-113,143		01
	RD255220	Carbon Resistor (chip)	220.0 0.1 J	R:139,164,165,301-305		01
	RD256100	Carbon Resistor (chip)	1.0K 0.1 J	R:156-163,169,306		01
	RD256220	Carbon Resistor (chip)	2.2K 0.1 J	R:144,148-155		01
	RD257220	Carbon Resistor (chip)	22.0K 0.1 J	R:101-105,114-130,132, 133,145-147,166-168, 170-177		01
	RD259470	Carbon Resistor (chip)	4.7M 0.1 J	R:131,140,141		01
	HV753100	Flame Proof C. Resistor	1.0 1/4 J	R:187		01
	VC744700	Metal Oxide Film Resistor	75.0 1W J	R:188,189		01
* V4313200		Circuit Board	IN1	(XW201B0)		
* V4467500		Push Button S	CD-GRAY/WHITE	SW101-104,201-204,301-304, 401-404,501-504,601-604, 701-704,801-804(+48V, 20dB,φ)	32	
* V4467700		Push Button S	MX-GREEN/WHITE	SW105,205,305,405,505, 605,705,805(EQ)	8	
	VV307300	LED Spacer				01
CN101	--	Connector, FFC	52045 35P TE	(VQ04840)		
CN102	--	Connector, FFC	52045 35P TE	(VQ04840)		
CN103	--	Connector, FFC	52045 6P TE	(VQ04700)		
CN104	--	Connector, FFC	52045 6P TE	(VQ04700)		
CN105	VV066700	Connector Base Post	M2426XX 7P TE			01
CN106	VV066700	Connector Base Post	M2426XX 7P TE			01
IC101	XF195A00	IC	NJM4580L	OP AMP		04
IC102	XF195A00	IC	NJM4580L	OP AMP		04
IC103	XM356A00	IC	NJM2068L-D	OP AMP		02

*: New Parts

RANK: Japan only

REF NO.	PART NO.	DESCRIPTION		REMARKS	QTY	RANK
-107	XM356A00	IC	NJM2068L-D	OP AMP		02
IC301	XF195A00	IC	NJM4580L	OP AMP		04
IC302	XF195A00	IC	NJM4580L	OP AMP		04
IC303	XM356A00	IC	NJM2068L-D	OP AMP		02
-307	XM356A00	IC	NJM2068L-D	OP AMP		02
IC501	XF195A00	IC	NJM4580L	OP AMP		04
IC502	XF195A00	IC	NJM4580L	OP AMP		04
IC503	XM356A00	IC	NJM2068L-D	OP AMP		02
-507	XM356A00	IC	NJM2068L-D	OP AMP		02
IC701	XF195A00	IC	NJM4580L	OP AMP		04
IC702	XF195A00	IC	NJM4580L	OP AMP		04
IC703	XM356A00	IC	NJM2068L-D	OP AMP		02
-707	XM356A00	IC	NJM2068L-D	OP AMP		02
LD101	VV620800	LED	LT311G-41-C13 RE	+48V		01
LD201	VV620800	LED	LT311G-41-C13 RE	+48V		01
LD301	VV620800	LED	LT311G-41-C13 RE	+48V		01
LD401	VV620800	LED	LT311G-41-C13 RE	+48V		01
LD501	VV620800	LED	LT311G-41-C13 RE	+48V		01
LD601	VV620800	LED	LT311G-41-C13 RE	+48V		01
LD701	VV620800	LED	LT311G-41-C13 RE	+48V		01
LD801	VV620800	LED	LT311G-41-C13 RE	+48V		01
Q101	IC224030	Transistor	2SC2240 GR,BL			01
Q102	IC224030	Transistor	2SC2240 GR,BL			01
Q201	IC224030	Transistor	2SC2240 GR,BL			01
Q202	IC224030	Transistor	2SC2240 GR,BL			01
Q301	IC224030	Transistor	2SC2240 GR,BL			01
Q302	IC224030	Transistor	2SC2240 GR,BL			01
Q401	IC224030	Transistor	2SC2240 GR,BL			01
Q402	IC224030	Transistor	2SC2240 GR,BL			01
Q403	IC1815M0	Transistor	2SC1815 Y,GR			01
Q501	IC224030	Transistor	2SC2240 GR,BL			01
Q502	IC224030	Transistor	2SC2240 GR,BL			01
Q601	IC224030	Transistor	2SC2240 GR,BL			01
Q602	IC224030	Transistor	2SC2240 GR,BL			01
Q701	IC224030	Transistor	2SC2240 GR,BL			01
Q702	IC224030	Transistor	2SC2240 GR,BL			01
Q801	IC224030	Transistor	2SC2240 GR,BL			01
Q802	IC224030	Transistor	2SC2240 GR,BL			01
Q803	IC1815M0	Transistor	2SC1815 Y,GR			01
SW101	VZ587700	Push Switch	2C-2S Lock	+48V,20dB,φ,80,EQ		01
-105	VZ587700	Push Switch	2C-2S Lock			01
SW201	VZ587700	Push Switch	2C-2S Lock	+48V,20dB,φ,80,EQ		01
-205	VZ587700	Push Switch	2C-2S Lock			01
SW301	VZ587700	Push Switch	2C-2S Lock	+48V,20dB,φ,80,EQ		01
-305	VZ587700	Push Switch	2C-2S Lock			01
SW401	VZ587700	Push Switch	2C-2S Lock	+48V,20dB,φ,80,EQ		01
-405	VZ587700	Push Switch	2C-2S Lock			01
SW501	VZ587700	Push Switch	2C-2S Lock	+48V,20dB,φ,80,EQ		01
-505	VZ587700	Push Switch	2C-2S Lock			01
SW601	VZ587700	Push Switch	2C-2S Lock	+48V,20dB,φ,80,EQ		01
-605	VZ587700	Push Switch	2C-2S Lock			01
SW701	VZ587700	Push Switch	2C-2S Lock	+48V,20dB,φ,80,EQ		01
-705	VZ587700	Push Switch	2C-2S Lock			01
SW801	VZ587700	Push Switch	2C-2S Lock	+48V,20dB,φ,80,EQ		01
-805	VZ587700	Push Switch	2C-2S Lock			01
VR101	VU804500	Rotary Variable Resistor	RD 5.0K RK09K113	GAIN		04
VR102	V3161000	Rotary Variable Resistor	B 50.0K RK09D113	EQ(LO)		04
VR103	V3161000	Rotary Variable Resistor	B 50.0K RK09D113	EQ(HI)		04
VR104	VZ611200	Rotary Variable Resistor	C 100K RK12L123	EQ(HI-MID)		05
VR105	V3161100	Rotary Variable Resistor	W 20.0K RK09D113	EQ(HI-MID)		04
VR106	VZ611200	Rotary Variable Resistor	C 100K RK12L123	EQ(LO-MID)		05
VR107	V3161100	Rotary Variable Resistor	W 20.0K RK09D113	EQ(LO-MID)		04
VR201	VU804500	Rotary Variable Resistor	RD 5.0K RK09K113	GAIN		04
VR202	V3161000	Rotary Variable Resistor	B 50.0K RK09D113	EQ(LO)		04
VR203	V3161000	Rotary Variable Resistor	B 50.0K RK09D113	EQ(HI)		04
VR204	VZ611200	Rotary Variable Resistor	C 100K RK12L123	EQ(HI-MID)		05
VR205	V3161100	Rotary Variable Resistor	W 20.0K RK09D113	EQ(HI-MID)		04
VR206	VZ611200	Rotary Variable Resistor	C 100K RK12L123	EQ(LO-MID)		05
VR207	V3161100	Rotary Variable Resistor	W 20.0K RK09D113	EQ(LO-MID)		04
VR301	VU804500	Rotary Variable Resistor	RD 5.0K RK09K113	GAIN		04

*: New Parts

RANK: Japan only

REF NO.	PART NO.	DESCRIPTION		REMARKS	QTY	RANK
VR302	V3161000	Rotary Variable Resistor	B 50.0K RK09D113	EQ(LO)		04
VR303	V3161000	Rotary Variable Resistor	B 50.0K RK09D113	EQ(HI)		04
VR304	VZ611200	Rotary Variable Resistor	C 100K RK12L123	EQ(HI-MID)		05
VR305	V3161100	Rotary Variable Resistor	W 20.0K RK09D113	EQ(HI-MID)		04
VR306	VZ611200	Rotary Variable Resistor	C 100K RK12L123	EQ(LO-MID)		05
VR307	V3161100	Rotary Variable Resistor	W 20.0K RK09D113	EQ(LO-MID)		04
VR401	VU804500	Rotary Variable Resistor	RD 5.0K RK09K113	GAIN		04
VR402	V3161000	Rotary Variable Resistor	B 50.0K RK09D113	EQ(LO)		04
VR403	V3161000	Rotary Variable Resistor	B 50.0K RK09D113	EQ(HI)		04
VR404	VZ611200	Rotary Variable Resistor	C 100K RK12L123	EQ(HI-MID)		05
VR405	V3161100	Rotary Variable Resistor	W 20.0K RK09D113	EQ(HI-MID)		04
VR406	VZ611200	Rotary Variable Resistor	C 100K RK12L123	EQ(LO-MID)		05
VR407	V3161100	Rotary Variable Resistor	W 20.0K RK09D113	EQ(LO-MID)		04
VR501	VU804500	Rotary Variable Resistor	RD 5.0K RK09K113	GAIN		04
VR502	V3161000	Rotary Variable Resistor	B 50.0K RK09D113	EQ(LO)		04
VR503	V3161000	Rotary Variable Resistor	B 50.0K RK09D113	EQ(HI)		04
VR504	VZ611200	Rotary Variable Resistor	C 100K RK12L123	EQ(HI-MID)		05
VR505	V3161100	Rotary Variable Resistor	W 20.0K RK09D113	EQ(HI-MID)		04
VR506	VZ611200	Rotary Variable Resistor	C 100K RK12L123	EQ(LO-MID)		05
VR507	V3161100	Rotary Variable Resistor	W 20.0K RK09D113	EQ(LO-MID)		04
VR601	VU804500	Rotary Variable Resistor	RD 5.0K RK09K113	GAIN		04
VR602	V3161000	Rotary Variable Resistor	B 50.0K RK09D113	EQ(LO)		04
VR603	V3161000	Rotary Variable Resistor	B 50.0K RK09D113	EQ(HI)		04
VR604	VZ611200	Rotary Variable Resistor	C 100K RK12L123	EQ(HI-MID)		05
VR605	V3161100	Rotary Variable Resistor	W 20.0K RK09D113	EQ(HI-MID)		04
VR606	VZ611200	Rotary Variable Resistor	C 100K RK12L123	EQ(LO-MID)		05
VR607	V3161100	Rotary Variable Resistor	W 20.0K RK09D113	EQ(LO-MID)		04
VR701	VU804500	Rotary Variable Resistor	RD 5.0K RK09K113	GAIN		04
VR702	V3161000	Rotary Variable Resistor	B 50.0K RK09D113	EQ(LO)		04
VR703	V3161000	Rotary Variable Resistor	B 50.0K RK09D113	EQ(HI)		04
VR704	VZ611200	Rotary Variable Resistor	C 100K RK12L123	EQ(HI-MID)		05
VR705	V3161100	Rotary Variable Resistor	W 20.0K RK09D113	EQ(HI-MID)		04
VR706	VZ611200	Rotary Variable Resistor	C 100K RK12L123	EQ(LO-MID)		05
VR707	V3161100	Rotary Variable Resistor	W 20.0K RK09D113	EQ(LO-MID)		04
VR801	VU804500	Rotary Variable Resistor	RD 5.0K RK09K113	GAIN		04
VR802	V3161000	Rotary Variable Resistor	B 50.0K RK09D113	EQ(LO)		04
VR803	V3161000	Rotary Variable Resistor	B 50.0K RK09D113	EQ(HI)		04
VR804	VZ611200	Rotary Variable Resistor	C 100K RK12L123	EQ(HI-MID)		05
VR805	V3161100	Rotary Variable Resistor	W 20.0K RK09D113	EQ(HI-MID)		04
VR806	VZ611200	Rotary Variable Resistor	C 100K RK12L123	EQ(LO-MID)		05
VR807	V3161100	Rotary Variable Resistor	W 20.0K RK09D113	EQ(LO-MID)		04
	VV061500	Mylar Capacitor	0.012 50V J	C:131,231,331,431,531, 631,731,831		01
	VV062300	Mylar Capacitor	0.039 50V J	C:123,223,323,423,523, 523,623,723,823		01
	VV062700	Mylar Capacitor	0.082 50V J	C:115,116,215,216,315, 316,415,416,515,516, 615,616,715,716,815, 816		01
	VV190000	Mylar Capacitor	820P 50V J	C:124,224,324,424,524, 624,724,824		01
	VZ597000	Mylar Capacitor	2400P 50V J	C:127,227,327,427,527, 627,727,827		01
	VZ597100	Mylar Capacitor	6200P 50V J	C:128,228,328,428,528, 628,728,828		01
	VZ597200	Mylar Capacitor	0.03 50V J	C:132,232,332,432,532, 632,732,832		01
	VV064400	Monolithic Mylar Capacitor	0.82 50V J	C:114,214,314,414,514, 614,714,814		03
	VZ352700	Ceramic Capacitor-SL	10P 50V J	C:109,112,209,212,309, 312,409,412,509,512, 609,612,709,712,809, 812		01
	VZ352800	Ceramic Capacitor-SL	22P 50V J	C:130,134,230,234,330, 334,430,434,530,534, 630,634,730,734,830, 834		01
	VZ353000	Ceramic Capacitor-SL	33P 50V J	C:111,211,311,411,511, 611,711,811		01
	VZ353200	Ceramic Capacitor-SL	47P 50V J	C:120,125,220,225,320,		01

*: New Parts

RANK: Japan only

REF NO.	PART NO.	DESCRIPTION		REMARKS	QTY	RANK
	VZ353500	Ceramic Capacitor-SL	100P 50V J	325,420,425,520,525, 620,625,720,725,820, 825 C:117,119,126,129,133, 217,219,226,229,233, 317,319,326,329,333, 417,419,426,429,433, 517,519,526,529,533, 617,619,626,629,633, 717,719,726,729,733, 817,819,826,829,833		01
	VZ353600	Ceramic Cap.-B	220P 50V K	C:110,210,310,410,510, 610,710,810		01
	VZ353700	Ceramic Cap.-B	330P 50V K	C:104,105,204,205,304, 305,404,405,504,505, 604,605,704,705,804, 805		01
	VZ353800	Ceramic Cap.-B	470P 50V K	C:106,108,206,208,306, 308,406,408,506,508, 606,608,706,708,806, 808		01
	VZ354000	Ceramic Capacitor-F	0.01 50V Z	C:136-139,337-340, 537-540,737-740		01
	UJ847100	Electrolytic Cap.	10.00 25.0V	C:118,122,218,222,318, 322,418,422,518,522, 618,622,718,722,818, 822		01
	UJ847470	Electrolytic Cap.	47.00 25.0V	C:135,235,335,435,535, 635,735,835		01
	UJ867470	Electrolytic Cap.	47.00 50.0V	C:101,201,301,401,501, 601,701,801		01
	UR858100	Electrolytic Cap.	100 35V	C:141,142,341,342,541, 542,741,742		01
*	V4270900	Electrolytic Cap.	10.00 25.0V	C:121,221,321,421,521, 621,721,821		01
	VV330700	Electrolytic Cap.	470 10.0V	C:107,207,307,407,507, 607,707,807		01
	VV488800	Electrolytic Cap.-LLM	10.00 50.0V	C:102,103,202,203,302, 303,402,403,502,503, 602,603,702,703,802, 803		01
*	V4587500	Electrolytic Cap.-NP	10.00 25.0V	C:113,213,313,413,513, 613,713,813		01
	HF454100	Carbon Resistor	10.0 1/4 J	R:110,111,114,121,129, 133,149,210,211,214, 221,229,233,249,310, 311,314,321,329,333, 349,410,411,414,421, 429,433,449,510,511, 514,521,529,533,549, 610,611,614,621,629, 633,649,710,711,714, 721,729,733,749,810, 811,814,821,829,833, 849		01
	HF455100	Carbon Resistor	100.0 1/4 J	R:452,852		01
	HF456150	Carbon Resistor	1.5K 1/4 J	R:453,853		01
	HF456270	Carbon Resistor	2.7K 1/4 J	R:126,226,326,426,526, 626,726,826		01
	HF456470	Carbon Resistor	4.7K 1/4 J	R:137,237,337,437,537, 637,737,837		01
	HF456510	Carbon Resistor	5.1K 1/4 J	R:143,144,147,148,243, 244,247,248,343,344, 347,348,443,444,447, 448,543,544,547,548, 643,644,647,648,743, 744,747,748,843,844, 847,848		01
	HF456560	Carbon Resistor	5.6K 1/4 J	R:140,240,340,440,540, 640,740,840		01

*: New Parts

RANK: Japan only

REF NO.	PART NO.	DESCRIPTION		REMARKS	QTY	RANK
	HF456820	Carbon Resistor	8.2K 1/4 J	R:141,142,145,146,241, 242,245,246,341,342, 345,346,441,442,445, 446,541,542,545,546, 641,642,645,646,741, 742,745,746,841,842, 845,846		01
	HF457100	Carbon Resistor	10.0K 1/4 J	R:131,132,136,139,231, 232,236,239,331,332, 336,339,431,432,436, 439,531,532,536,539, 631,632,636,639,731, 732,736,739,831,832, 836,839		01
	HF457120	Carbon Resistor	12.0K 1/4 J	R:127,227,327,427,454, 527,627,727,827,854		01
	HF457330	Carbon Resistor	33.0K 1/4 J	R:138,238,338,438,538, 638,738,838		01
	HF457470	Carbon Resistor	47.0K 1/4 J	R:150,250,350,450,550, 650,750,850		01
	HF457510	Carbon Resistor	51.0K 1/4 J	R:128,228,328,428,528, 628,728,828		01
	HF458100	Carbon Resistor	100.0K 1/4 J	R:102,202,302,402,502, 602,702,802		01
	HF458220	Carbon Resistor	220.0K 1/4 J	R:125,130,134,135,151, 225,230,234,235,251, 325,330,334,335,351, 425,430,434,435,451, 625,630,634,635,651, 725,730,734,735,751, 825,830,834,835,851		01
	VV058400	Flame Proof C. Resistor	390.0 1/4 J	R:101,201,301,401,501, 601,701,801		01
	VV064900	Metal Film Resistor	20.0 1/4 F	R:117,217,317,417,517, 617,717,817		01
	VV065100	Metal Film Resistor	2.2K 1/4 F	R:115,116,215,216,315, 316,415,416,515,516, 615,616,715,716,815, 816		01
	VV065200	Metal Film Resistor	4.7K 1/4 F	R:105,107,123,124,205, 207,223,224,305,307, 323,324,405,407,423, 424,505,507,523,524, 605,607,623,624,705, 707,723,724,805,807, 823,824		05
	VV065300	Metal Film Resistor	6.8K 1/4 F	R:103,104,203,204,303, 304,403,404,503,504, 603,604,703,704,803, 804		01
	VV065400	Metal Film Resistor	8.2K 1/4 F	R:119,120,219,220,319, 320,419,420,519,520, 619,620,719,720,819, 820		01
	VV065500	Metal Film Resistor	10K 1/4 F	R:108,208,308,408,508, 608,708,808		01
	VV065900	Metal Film Resistor	24K 1/4 F	R:118,122,218,222,318, 322,418,422,518,522, 618,622,718,722,818, 822		01
	VV066100	Metal Film Resistor	47K 1/4 F	R:112,113,212,213,312, 313,412,413,512,513, 612,613,712,713,812, 813		01
	VZ598300	Metal Film Resistor	510.0 1/4 F	R:106,206,306,406,506, 606,706,806		01
*	V4313300	Circuit Board	IN2	(XV202B0)		
	V3297600	Earth Terminal				03

*: New Parts

RANK: Japan only

REF NO.	PART NO.	DESCRIPTION		REMARKS	QTY	RANK
*	V4467500	Push Button S	CD-GRAY/WHITE	SW102,103,202,203,302, 303,402,403,502,503,602, 603,702,703,802,803(PRE (AUX7-10,AUX11-14))	16	
*	V4467800	Push Button S	MX-BLUE/WHITE	SW101,201,301,401,501, 601,701,801(PRE(AUX3-6)) (VQ04700)	8	
CN201	--	Connector, FFC	52045 6P TE			01
CN202	--	Connector, FFC	52045 6P TE			01
CN203	VN394900	Connector, FFC	52045 14P TE			01
CN204	VN394900	Connector, FFC	52045 14P TE			01
CN205	VV066700	Connector Base Post	M2426XX 7P TE			01
CN206	VV066700	Connector Base Post	M2426XX 7P TE			01
CN207	VV067000	Connector Base Post	M2426XX 10P TE			01
CN208	VV067000	Connector Base Post	M2426XX 10P TE			01
SW101	VZ587700	Push Switch	2C-2S Lock	PRE(AUX3-6,AUX7-10, AUX11-14)	01	
-103	VZ587700	Push Switch	2C-2S Lock	PRE(AUX3-6,AUX7-10, AUX11-14)	01	
SW201	VZ587700	Push Switch	2C-2S Lock	PRE(AUX3-6,AUX7-10, AUX11-14)	01	
-203	VZ587700	Push Switch	2C-2S Lock	PRE(AUX3-6,AUX7-10, AUX11-14)	01	
SW301	VZ587700	Push Switch	2C-2S Lock	PRE(AUX3-6,AUX7-10, AUX11-14)	01	
-303	VZ587700	Push Switch	2C-2S Lock	PRE(AUX3-6,AUX7-10, AUX11-14)	01	
SW401	VZ587700	Push Switch	2C-2S Lock	PRE(AUX3-6,AUX7-10, AUX11-14)	01	
-403	VZ587700	Push Switch	2C-2S Lock	PRE(AUX3-6,AUX7-10, AUX11-14)	01	
SW501	VZ587700	Push Switch	2C-2S Lock	PRE(AUX3-6,AUX7-10, AUX11-14)	01	
-503	VZ587700	Push Switch	2C-2S Lock	PRE(AUX3-6,AUX7-10, AUX11-14)	01	
SW601	VZ587700	Push Switch	2C-2S Lock	PRE(AUX3-6,AUX7-10, AUX11-14)	01	
-603	VZ587700	Push Switch	2C-2S Lock	PRE(AUX3-6,AUX7-10, AUX11-14)	01	
SW701	VZ587700	Push Switch	2C-2S Lock	PRE(AUX3-6,AUX7-10, AUX11-14)	01	
-703	VZ587700	Push Switch	2C-2S Lock	PRE(AUX3-6,AUX7-10, AUX11-14)	01	
SW801	VZ587700	Push Switch	2C-2S Lock	PRE(AUX3-6,AUX7-10, AUX11-14)	01	
-803	VZ587700	Push Switch	2C-2S Lock	PRE(AUX3-6,AUX7-10, AUX11-14)	01	
VR101	VZ660000	Rotary Variable Resistor	B 20K RK09D113	AUX1-14	01	
-114	VZ660000	Rotary Variable Resistor	B 20K RK09D113	AUX1-14	01	
VR201	VZ660000	Rotary Variable Resistor	B 20K RK09D113	AUX1-14	01	
-214	VZ660000	Rotary Variable Resistor	B 20K RK09D113	AUX1-14	01	
VR301	VZ660000	Rotary Variable Resistor	B 20K RK09D113	AUX1-14	01	
-314	VZ660000	Rotary Variable Resistor	B 20K RK09D113	AUX1-14	01	
VR401	VZ660000	Rotary Variable Resistor	B 20K RK09D113	AUX1-14	01	
-414	VZ660000	Rotary Variable Resistor	B 20K RK09D113	AUX1-14	01	
VR501	VZ660000	Rotary Variable Resistor	B 20K RK09D113	AUX1-14	01	
-514	VZ660000	Rotary Variable Resistor	B 20K RK09D113	AUX1-14	01	
VR601	VZ660000	Rotary Variable Resistor	B 20K RK09D113	AUX1-14	01	
-614	VZ660000	Rotary Variable Resistor	B 20K RK09D113	AUX1-14	01	
VR701	VZ660000	Rotary Variable Resistor	B 20K RK09D113	AUX1-14	01	
-714	VZ660000	Rotary Variable Resistor	B 20K RK09D113	AUX1-14	01	
VR801	VZ660000	Rotary Variable Resistor	B 20K RK09D113	AUX1-14	01	
-814	VZ660000	Rotary Variable Resistor	B 20K RK09D113	AUX1-14	01	
	VZ353900	Ceramic Cap.-B	1000P 50V K	C:101-112	01	
	HF457180	Carbon Resistor	18.0K 1/4 J	R:101-114,201-214, 301-314,401-414, 501-514,601-614, 701-714,801,814	01	
*	V4313500	Circuit Board	IN3	(XW203B0)		03
	V3297600	Earth Terminal				
*	V4467500	Push Button S	CD-GRAY/WHITE	SW102-105,202-205,302-305, 402-405,502-505,602-605, 702-705,802-805(1-2,3-4, 5-6,7-8)	32	
*	V4468000	Push Button S	RED/WHITE	SW106,108,206,208,306, 308,406,408,506,508,606, 608,706,708,806,808 (ST,LCR)	16	
*	V4468200	Push Button S	YELLOW/WHITE	SW107,207,307,407,507, 607,707,807(MONO)	8	
*	V4469400	Push Button L	CL-GRAY/RED	SW101,201,301,401,501, 601,701,801(PFL)	8	
	VV307300	LED Spacer				01
	VZ968600	Button	NO.947 CD-GRAY	SW109,209,309,409,509, 609,709,809(ON/EDIT)	8	01
CN301	VN394900	Connector, FFC	52045 14P TE			01

*: New Parts

RANK: Japan only

REF NO.	PART NO.	DESCRIPTION		REMARKS	QTY	RANK
CN302	VN394900	Connector, FFC	52045 14P TE			01
CN303	--	Connector, FFC	52045 6P TE	(VQ04700)		
-306	--	Connector, FFC	52045 6P TE	(VQ04700)		
CN307	VP682200	Connector, FFC	52045 8P TE			01
CN308	VP127700	Connector, FFC	52045 24P TE			01
CN309	VP127700	Connector, FFC	52045 24P TE			01
CN310	VP682200	Connector, FFC	52045 8P TE			01
CN311	--	Connector Base Post	M2426XX 13P TE	(VV06730)		
CN312	--	Connector Base Post	M2426XX 13P TE	(VV06730)		
CN313	VV066500	Connector Base Post	M2426XX 5P TE			01
CN314	VV066500	Connector Base Post	M2426XX 5P TE			01
CN315	VV066400	Connector Base Post	M2426XX 4P TE			01
CN316	VV066500	Connector Base Post	M2426XX 5P TE			01
CN317	VV066300	Connector Base Post	M2426XX 3P TE			01
D101	VD631600	Diode	1SS133,176,HSS104			01
D201	VD631600	Diode	1SS133,176,HSS104			01
D301	VD631600	Diode	1SS133,176,HSS104			01
D401	VD631600	Diode	1SS133,176,HSS104			01
D501	VD631600	Diode	1SS133,176,HSS104			01
D601	VD631600	Diode	1SS133,176,HSS104			01
D701	VD631600	Diode	1SS133,176,HSS104			01
D801	VD631600	Diode	1SS133,176,HSS104			01
IC101	XF195A00	IC	NJM4580L	OP AMP		04
IC102	XF195A00	IC	NJM4580L	OP AMP		04
IC103	XA552A00	IC	BA6144	METER RIVER		03
IC203	XA552A00	IC	BA6144	METER RIVER		03
IC301	XF195A00	IC	NJM4580L	OP AMP		04
IC302	XF195A00	IC	NJM4580L	OP AMP		04
IC303	XA552A00	IC	BA6144	METER RIVER		03
IC403	XA552A00	IC	BA6144	METER RIVER		03
IC501	XF195A00	IC	NJM4580L	OP AMP		04
IC502	XF195A00	IC	NJM4580L	OP AMP		04
IC503	XA552A00	IC	BA6144	METER RIVER		03
IC603	XA552A00	IC	BA6144	METER RIVER		03
IC701	XF195A00	IC	NJM4580L	OP AMP		04
IC702	XF195A00	IC	NJM4580L	OP AMP		04
IC703	XA552A00	IC	BA6144	METER RIVER		03
IC803	XA552A00	IC	BA6144	METER RIVER		03
LD101	VV621000	LED	LT321-41-C13 GR	SIGNAL		01
LD102	VV938100	LED	LT331-41-C13 YE	NOM		01
LD103	VV620800	LED	LT311G-41-C13 RE	PEAK		01
LD104	VV938100	LED	LT331-41-C13 YE	ON/EDIT(ON)		01
LD105	VV621000	LED	LT321-41-C13 GR	ON/EDIT(CHECK)		01
LD106	VV938100	LED	LT331-41-C13 YE	PFL		01
LD107	VV620800	LED	LT311G-41-C13 RE	LCR		01
LD201	VV621000	LED	LT321-41-C13 GR	SIGNAL		01
LD202	VV938100	LED	LT331-41-C13 YE	NOM		01
LD203	VV620800	LED	LT311G-41-C13 RE	PEAK		01
LD204	VV938100	LED	LT331-41-C13 YE	ON/EDIT(ON)		01
LD205	VV621000	LED	LT321-41-C13 GR	ON/EDIT(CHECK)		01
LD206	VV938100	LED	LT331-41-C13 YE	PFL		01
LD207	VV620800	LED	LT311G-41-C13 RE	LCR		01
LD301	VV621000	LED	LT321-41-C13 GR	SIGNAL		01
LD302	VV938100	LED	LT331-41-C13 YE	NOM		01
LD303	VV620800	LED	LT311G-41-C13 RE	PEAK		01
LD304	VV938100	LED	LT331-41-C13 YE	ON/EDIT(ON)		01
LD305	VV621000	LED	LT321-41-C13 GR	ON/EDIT(CHECK)		01
LD306	VV938100	LED	LT331-41-C13 YE	PFL		01
LD307	VV620800	LED	LT311G-41-C13 RE	LCR		01
LD401	VV621000	LED	LT321-41-C13 GR	SIGNAL		01
LD402	VV938100	LED	LT331-41-C13 YE	NOM		01
LD403	VV620800	LED	LT311G-41-C13 RE	PEAK		01
LD404	VV938100	LED	LT331-41-C13 YE	ON/EDIT(ON)		01
LD405	VV621000	LED	LT321-41-C13 GR	ON/EDIT(CHECK)		01
LD406	VV938100	LED	LT331-41-C13 YE	PFL		01
LD407	VV620800	LED	LT311G-41-C13 RE	LCR		01
LD501	VV621000	LED	LT321-41-C13 GR	SIGNAL		01
LD502	VV938100	LED	LT331-41-C13 YE	NOM		01
LD503	VV620800	LED	LT311G-41-C13 RE	PEAK		01
LD504	VV938100	LED	LT331-41-C13 YE	ON/EDIT(ON)		01

*: New Parts

RANK: Japan only

REF NO.	PART NO.	DESCRIPTION		REMARKS	QTY	RANK
LD505	VV621000	LED	LT321-41-C13 GR	ON/EDIT(CHECK)		01
LD506	VV938100	LED	LT331-41-C13 YE	PFL		01
LD507	VV620800	LED	LT311G-41-C13 RE	LCR		01
LD601	VV621000	LED	LT321-41-C13 GR	SIGNAL		01
LD602	VV938100	LED	LT331-41-C13 YE	NOM		01
LD603	VV620800	LED	LT311G-41-C13 RE	PEAK		01
LD604	VV938100	LED	LT331-41-C13 YE	ON/EDIT(ON)		01
LD605	VV621000	LED	LT321-41-C13 GR	ON/EDIT(CHECK)		01
LD606	VV938100	LED	LT331-41-C13 YE	PFL		01
LD607	VV620800	LED	LT311G-41-C13 RE	LCR		01
LD701	VV621000	LED	LT321-41-C13 GR	SIGNAL		01
LD702	VV938100	LED	LT331-41-C13 YE	NOM		01
LD703	VV620800	LED	LT311G-41-C13 RE	PEAK		01
LD704	VV938100	LED	LT331-41-C13 YE	ON/EDIT(ON)		01
LD705	VV621000	LED	LT321-41-C13 GR	ON/EDIT(CHECK)		01
LD706	VV938100	LED	LT331-41-C13 YE	PFL		01
LD707	VV620800	LED	LT311G-41-C13 RE	LCR		01
LD801	VV621000	LED	LT321-41-C13 GR	SIGNAL		01
LD802	VV938100	LED	LT331-41-C13 YE	NOM		01
LD803	VV620800	LED	LT311G-41-C13 RE	PEAK		01
LD804	VV938100	LED	LT331-41-C13 YE	ON/EDIT(ON)		01
LD805	VV621000	LED	LT321-41-C13 GR	ON/EDIT(CHECK)		01
LD806	VV938100	LED	LT331-41-C13 YE	PFL		01
LD807	VV620800	LED	LT311G-41-C13 RE	LCR		01
Q401	IC1815M0	Transistor	2SC1815 Y,GR			01
Q801	IC1815M0	Transistor	2SC1815 Y,GR			01
RY101	VM640200	Relay	DC RY 12W-OH-K			05
RY201	VM640200	Relay	DC RY 12W-OH-K			05
RY301	VM640200	Relay	DC RY 12W-OH-K			05
RY401	VM640200	Relay	DC RY 12W-OH-K			05
RY501	VM640200	Relay	DC RY 12W-OH-K			05
RY601	VM640200	Relay	DC RY 12W-OH-K			05
RY701	VM640200	Relay	DC RY 12W-OH-K			05
RY801	VM640200	Relay	DC RY 12W-OH-K			05
SW101	VZ587700	Push Switch	2C-2S Lock	PFL,1-2,3-4,5-6,7-8,ST,		01
-107	VZ587700	Push Switch	2C-2S Lock	MONO		01
SW108	VZ251800	Push Switch	ESB68149	LCR		03
* SW109	V3835200	Push Switch	2C-2S Non-Lock	ON/EDIT		
SW201	VZ587700	Push Switch	2C-2S Lock	PFL,1-2,3-4,5-6,7-8,ST,		01
-207	VZ587700	Push Switch	2C-2S Lock	MONO		01
SW208	VZ251800	Push Switch	ESB68149	LCR		03
* SW209	V3835200	Push Switch	2C-2S Non-Lock	ON/EDIT		
SW301	VZ587700	Push Switch	2C-2S Lock	PFL,1-2,3-4,5-6,7-8,ST,		01
-307	VZ587700	Push Switch	2C-2S Lock	MONO		01
SW308	VZ251800	Push Switch	ESB68149	LCR		03
* SW309	V3835200	Push Switch	2C-2S Non-Lock	ON/EDIT		
SW401	VZ587700	Push Switch	2C-2S Lock	PFL,1-2,3-4,5-6,7-8,ST,		01
-407	VZ587700	Push Switch	2C-2S Lock	MONO		01
SW408	VZ251800	Push Switch	ESB68149	LCR		03
* SW409	V3835200	Push Switch	2C-2S Non-Lock	ON/EDIT		
SW501	VZ587700	Push Switch	2C-2S Lock	PFL,1-2,3-4,5-6,7-8,ST,		01
-507	VZ587700	Push Switch	2C-2S Lock	MONO		01
SW508	VZ251800	Push Switch	ESB68149	LCR		03
* SW509	V3835200	Push Switch	2C-2S Non-Lock	ON/EDIT		
SW601	VZ587700	Push Switch	2C-2S Lock	PFL,1-2,3-4,5-6,7-8,ST,		01
-607	VZ587700	Push Switch	2C-2S Lock	MONO		01
SW608	VZ251800	Push Switch	ESB68149	LCR		03
* SW609	V3835200	Push Switch	2C-2S Non-Lock	ON/EDIT		
SW701	VZ587700	Push Switch	2C-2S Lock	PFL,1-2,3-4,5-6,7-8,ST,		01
-707	VZ587700	Push Switch	2C-2S Lock	MONO		01
SW708	VZ251800	Push Switch	ESB68149	LCR		03
* SW709	V3835200	Push Switch	2C-2S Non-Lock	ON/EDIT		
SW801	VZ587700	Push Switch	2C-2S Lock	PFL,1-2,3-4,5-6,7-8,ST,		01
-807	VZ587700	Push Switch	2C-2S Lock	MONO		01
SW808	VZ251800	Push Switch	ESB68149	LCR		03
* SW809	V3835200	Push Switch	2C-2S Non-Lock	ON/EDIT		
* VR101	V5114600	Slide Variable Resistor	D 10.0K RSA0N11S	FADER		05
* VR201	V5114600	Slide Variable Resistor	D 10.0K RSA0N11S	FADER		05
* VR301	V5114600	Slide Variable Resistor	D 10.0K RSA0N11S	FADER		05
* VR401	V5114600	Slide Variable Resistor	D 10.0K RSA0N11S	FADER		05

*: New Parts

RANK: Japan only

REF NO.	PART NO.	DESCRIPTION		REMARKS	QTY	RANK
* VR501	V5114600	Slide Variable Resistor	D 10.0K RSA0N11S	FADER		05
* VR601	V5114600	Slide Variable Resistor	D 10.0K RSA0N11S	FADER		05
* VR701	V5114600	Slide Variable Resistor	D 10.0K RSA0N11S	FADER		05
* VR801	V5114600	Slide Variable Resistor	D 10.0K RSA0N11S	FADER		05
	VZ353200	Ceramic Capacitor-SL	47P 50V J	C:104,204,304,404,504, 604,704,804		01
	VZ353400	Ceramic Capacitor-SL	68P 50V J	C:110,210,310,410,510, 610,710,810		01
	VZ353500	Ceramic Capacitor-SL	100P 50V J	C:102,103,108,109,202, 203,208,209,302,303, 308,309,402,403,408, 409,502,503,508,509, 602,603,608,609,702, 703,708,709,802,803, 808,809		01
	VZ353900	Ceramic Cap.-B	1000P 50V K	C:106,206,306,406,506, 606,706,806		01
	VZ354000	Ceramic Capacitor-F	0.01 50V Z	C:115-118,315-318, 515-518,715-718		01
	UJ847100	Electrolytic Cap.	10.00 25.0V	C:101,107,112-114,201, 207,212-214,301,307, 312-314,401,407, 412-414,501,507, 512-514,601,607, 612-614,701,707, 712-714,801,807,812-814		01
	UJ847470	Electrolytic Cap.	47.00 25.0V	C:105,111,205,211,305, 311,405,411,505,511, 605,611,705,711,805, 811		01
	HF454100	Carbon Resistor	10.0 1/4 J	R:113,213,313,413,513, 513,613,713,813		01
	HF454220	Carbon Resistor	22.0 1/4 J	R:103,106,203,206,303, 306,403,406,503,506, 603,606,703,706,803, 806		01
	HF455100	Carbon Resistor	100.0 1/4 J	R:118,218,318,418,437, 518,618,718,818,837		01
	HF455220	Carbon Resistor	220.0 1/4 J	R:108,110,208,210,308, 310,408,410,508,510, 608,610,708,710,808, 810		01
	HF456120	Carbon Resistor	1.2K 1/4 J	R:139-141,239-241, 339-341,439-441, 539-541,639-641, 739-741,839-841		01
	HF456150	Carbon Resistor	1.5K 1/4 J	R:436,836		01
	HF456180	Carbon Resistor	1.8K 1/4 J	R:117,134,138,217,234, 238,317,334,338,417, 434,438,517,534,538, 617,634,638,717,734, 738,817,834,838		01
	HF456470	Carbon Resistor	4.7K 1/4 J	R:111,133,211,233,311, 333,411,433,511,533, 611,633,711,733,811, 833		01
	HF456510	Carbon Resistor	5.1K 1/4 J	R:101,102,104,105,201, 202,204,205,301,302, 304,305,401,402,404, 405,501,502,504,505, 601,602,604,605,701, 702,704,705,801,802, 804,805		01
	HF457100	Carbon Resistor	10.0K 1/4 J	R:112,212,312,412,512, 612,712,812		01
	HF457120	Carbon Resistor	12.0K 1/4 J	R:435,835		01
	HF457180	Carbon Resistor	18.0K 1/4 J	R:119-130,219-230, 319-330,419-430, 519-530,619-630, 719-730,819-830		01

*: New Parts

RANK: Japan only

REF NO.	PART NO.	DESCRIPTION		REMARKS	QTY	RANK
	HF457220	Carbon Resistor	22.0K 1/4 J	R:131,231,331,431,531, 631,731,831		01
	HF457470	Carbon Resistor	47.0K 1/4 J	R:109,209,309,409,509, 609,709,809		01
	HF457560	Carbon Resistor	56.0K 1/4 J	R:132,232,332,432,532, 632,732,832		01
	HF458100	Carbon Resistor	100.0K 1/4 J	R:107,114-116,207, 214-216,307,314-316, 407,414-416,507, 514-516,607,614-616, 707,714-716,807,814-816		01
* CN401	AAX09010	Circuit Board	IN4	(XW204B0)		
-404	--	Connector, FFC	52045 6P TE	(VQ04700)		
		Connector, FFC	52045 6P TE	(VQ04700)		
CN405	VV067800	Connector Base Post	M2426XXR 4P SE			01
CN406	VQ047500	Connector, FFC	52045 20P TE			01
CN407	VQ047500	Connector, FFC	52045 20P TE			01
CN408	VV067900	Connector Base Post	M2426XXR 5P SE			01
* CN409	VV067700	Connector Base Post	M2426XXR 3P SE			01
* CN410	VV067600	Connector Base Post	M2426XXR 2P SE			
* CN411	VV067600	Connector Base Post	M2426XXR 2P SE			
IC101	XP451A00	IC	PM25 LZ95300	INTERFACE		04
IC102	IR000200	IC	TC74HC02AP	NOR		03
IC201	XP451A00	IC	PM25 LZ95300	INTERFACE		04
IC301	XP451A00	IC	PM25 LZ95300	INTERFACE		04
IC302	IR000200	IC	TC74HC02AP	NOR		03
IC401	XP451A00	IC	PM25 LZ95300	INTERFACE		04
Q101	IC1815M0	Transistor	2SC1815 Y,GR			01
-104	IC1815M0	Transistor	2SC1815 Y,GR			01
Q105	IA101590	Transistor	2SA1015 O,Y			01
-108	IA101590	Transistor	2SA1015 O,Y			01
Q109	IC1815M0	Transistor	2SC1815 Y,GR			01
Q201	IC1815M0	Transistor	2SC1815 Y,GR			01
-204	IC1815M0	Transistor	2SC1815 Y,GR			01
Q205	IA101590	Transistor	2SA1015 O,Y			01
-208	IA101590	Transistor	2SA1015 O,Y			01
Q209	IC1815M0	Transistor	2SC1815 Y,GR			01
Q301	IC1815M0	Transistor	2SC1815 Y,GR			01
-304	IC1815M0	Transistor	2SC1815 Y,GR			01
Q305	IA101590	Transistor	2SA1015 O,Y			01
-308	IA101590	Transistor	2SA1015 O,Y			01
Q309	IC1815M0	Transistor	2SC1815 Y,GR			01
Q401	IC1815M0	Transistor	2SC1815 Y,GR			01
-404	IC1815M0	Transistor	2SC1815 Y,GR			01
Q405	IA101590	Transistor	2SA1015 O,Y			01
-408	IA101590	Transistor	2SA1015 O,Y			01
Q409	IC1815M0	Transistor	2SC1815 Y,GR			01
* SW101	V4584500	Slide Switch	SSSF142NA1			02
* SW102	V4584400	Slide Switch	SSSF122NA1			02
* V5398100		Electrolytic Cap.	4.7 50.0V	C:111,112,211,212,311, 312,411,412		
VZ353500		Ceramic Capacitor-SL	100P 50V J	C:104,105,204,205,304, 305,404,405		01
VZ354000		Ceramic Capacitor-F	0.01 50V Z	C:107,307		01
VZ354600		Monolithic Ceramic Cap.	0.1 50V Z	C:101-103,106,201-,203, 206,301-303,306, 401-403,406		01
HF455100		Carbon Resistor	100.0 1/4 J	R:113,213,313,413		01
HF456150		Carbon Resistor	1.5K 1/4 J	R:112,212,312,412		01
HF457100		Carbon Resistor	10.0K 1/4 J	R:101-104,201-204, 301-304,401-404		01
HF457120		Carbon Resistor	12.0K 1/4 J	R:111,211,311,411		01
HF457470		Carbon Resistor	47.0K 1/4 J	R:107-110,207-210, 307-310,407-410		01
HF458100		Carbon Resistor	100.0K 1/4 J	R:105,106,205,206,305, 306,405,406		01
* CN601	AAX08980	Circuit Board	INJK	(XW206B0)		
	--	Connector, FFC	52045 35P TE	(VQ04840)		

*: New Parts

RANK: Japan only

REF NO.	PART NO.	DESCRIPTION		REMARKS	QTY	RANK
CN602	--	Connector, FFC	52045 35P TE	(VQ04840)		
JK101	VU805200	XLM Connector	XLR NC3FAV1-0	INPUT		04
-108	VU805200	XLM Connector	XLR NC3FAV1-0			04
JK109	V2954500	Phone Jack	LJ-0695-4R-A	INSERT I/O 0dB		02
-116	V2954500	Phone Jack	LJ-0695-4R-A			02
	VZ353500	Ceramic Capacitor-SL	100P 50V J	C:101-116		01
	HF455330	Carbon Resistor	330.0 1/4 J	R:101-108		01
*	AAX09000	Circuit Board	INPAN	(XW205B0)		
	VV291400	Jumper Wire	0.6			01
CN501	VP682200	Connector, FFC	52045 8P TE			01
CN502	VP127700	Connector, FFC	52045 24P TE			01
CN503	VP127700	Connector, FFC	52045 24P TE			01
CN504	VP682200	Connector, FFC	52045 8P TE			01
* VR101	V3820800	Rotary Variable Resistor	AC20K&TAC20K&T40K	PAN		
* -108	V3820800	Rotary Variable Resistor	AC20K&TAC20K&T40K			
*	AAX09080	Circuit Board	ISRT 1,6/6	(XW217B0)		
	AAX09090	Circuit Board	ISRT 2,3,4,5/6	(XW217B0)		
CN101	VP127700	Connector, FFC	52045 24P TE			01
CN102	VV066200	Connector Base Post	M2426XX 2P TE			01
CN103	VN394900	Connector, FFC	52045 14P TE			01
CN104	VV066800	Connector Base Post	M2426XX 8P TE			01
CN105	VV066600	Connector Base Post	M2426XX 6P TE			01
CN106	VV066700	Connector Base Post	M2426XX 7P TE			01
CN107	VV066400	Connector Base Post	M2426XX 4P TE			01
CN108	VV067000	Connector Base Post	M2426XX 10P TE			01
CN109	VV066900	Connector Base Post	M2426XX 9P TE			01
CN110	VV066500	Connector Base Post	M2426XX 5P TE			01
CN111	VV066300	Connector Base Post	M2426XX 3P TE			01
CN151	VV066400	Connector Base Post	M2426XX 4P TE			01
CN152	VV066300	Connector Base Post	M2426XX 3P TE			01
CN201	VV067000	Connector Base Post	M2426XX 10P TE			01
CN202	LB932040	Base Post Connector	VH- 4P TE			01
CN203	VV066800	Connector Base Post	M2426XX 8P TE			01
CN204	LB932040	Base Post Connector	VH- 4P TE			01
CN205	VV066700	Connector Base Post	M2426XX 7P TE			01
CN206	VV067200	Connector Base Post	M2426XX 12P TE			01
CN207	LB932040	Base Post Connector	VH- 4P TE			01
CN208	VV066800	Connector Base Post	M2426XX 8P TE			01
CN209	VQ046400	Connector, FFC	52044 35P SE			01
CN210	LB932040	Base Post Connector	VH- 4P TE			01
CN212	VV066700	Connector Base Post	M2426XX 7P TE			01
CN213	VV066500	Connector Base Post	M2426XX 5P TE			01
CN214	VV067100	Connector Base Post	M2426XX 11P TE			01
CN215	VV066600	Connector Base Post	M2426XX 6P TE			01
CN216	VV066500	Connector Base Post	M2426XX 5P TE			01
CN217	VV067000	Connector Base Post	M2426XX 10P TE			01
CN218	VV067100	Connector Base Post	M2426XX 11P TE			01
CN219	VV066500	Connector Base Post	M2426XX 5P TE			01
CN220	--	Connector Base Post	M2426XX 13P TE	(VV06730)		
CN221	VV066800	Connector Base Post	M2426XX 8P TE			01
CN222	VV066900	Connector Base Post	M2426XX 9P TE			01
CN223	VV066500	Connector Base Post	M2426XX 5P TE			01
CN224	VV066300	Connector Base Post	M2426XX 3P TE			01
CN225	VV066400	Connector Base Post	M2426XX 4P TE			01
CN227	VV066200	Connector Base Post	M2426XX 2P TE			01
CN228	--	Connector Assembly	1018&1018 4P 160L	(V527060)		
CN229	LB932020	Base Post Connector	VH- 2P TE			01
CN230	VZ005700	Fasten Terminal	TP82223-22			01
-233	VZ005700	Fasten Terminal	TP82223-22			01
CN234	VP127700	Connector, FFC	52045 24P TE			01
CN235	VN394900	Connector, FFC	52045 14P TE			01
CN236	--	Connector Assembly	2426&1018 8P 250L	(V440690)		
CN237	VV066200	Connector Base Post	M2426XX 2P TE			01
CN238	VV066400	Connector Base Post	M2426XX 4P TE			01
CN239	VV066200	Connector Base Post	M2426XX 2P TE			01
CN251	VV067000	Connector Base Post	M2426XX 10P TE			01
CN252	LB932020	Base Post Connector	VH- 2P TE			01
CN253	VV066600	Connector Base Post	M2426XX 6P TE			01

*: New Parts

RANK: Japan only

REF NO.	PART NO.	DESCRIPTION		REMARKS	QTY	RANK
CN254	LB932020	Base Post Connector	VH- 2P TE			01
CN255	VV066700	Connector Base Post	M2426XX 7P TE			01
CN256	VV067200	Connector Base Post	M2426XX 12P TE			01
CN257	LB932020	Base Post Connector	VH- 2P TE			01
CN258	VV066900	Connector Base Post	M2426XX 9P TE			01
CN301	VV067000	Connector Base Post	M2426XX 10P TE			01
CN302	LB932040	Base Post Connector	VH- 4P TE			01
CN303	VV066800	Connector Base Post	M2426XX 8P TE			01
CN304	LB932040	Base Post Connector	VH- 4P TE			01
CN305	VV066700	Connector Base Post	M2426XX 7P TE			01
CN306	VV067200	Connector Base Post	M2426XX 12P TE			01
CN307	LB932040	Base Post Connector	VH- 4P TE			01
CN308	VV066800	Connector Base Post	M2426XX 8P TE			01
CN309	VQ046400	Connector, FFC	52044 35P SE			01
CN310	LB932040	Base Post Connector	VH- 4P TE			01
CN312	VV067100	Connector Base Post	M2426XX 11P TE			01
CN313	VV066500	Connector Base Post	M2426XX 5P TE			01
CN314	VV066700	Connector Base Post	M2426XX 7P TE			01
CN315	VV066200	Connector Base Post	M2426XX 2P TE			01
CN401	VQ047500	Connector, FFC	52045 20P TE			01
-403	VQ047500	Connector, FFC	52045 20P TE			01
CN404	VV066800	Connector Base Post	M2426XX 8P TE			01
CN405	VV067200	Connector Base Post	M2426XX 12P TE			01
CN406	VV066900	Connector Base Post	M2426XX 9P TE			01
CN407	--	Connector Base Post	M2426XX 13P TE	(VV06730)		01
CN408	VV066200	Connector Base Post	M2426XX 2P TE			01
CN409	VV066600	Connector Base Post	M2426XX 6P TE			01
CN501	VQ045000	Connector, FFC	52044 20P SE			01
CN502	VQ047500	Connector, FFC	52045 20P TE			01
D101	VD631600	Diode	1SS133,176,HSS104			01
-108	VD631600	Diode	1SS133,176,HSS104			01
D201	VD631600	Diode	1SS133,176,HSS104			01
-05	VD631600	Diode	1SS133,176,HSS104			01
EM201	VV056900	Noice Filter	ZJSR5101-223TA			01
-203	VV056900	Noice Filter	ZJSR5101-223TA			01
F201	V2696300	Fuse	SIP 4A 125V J/U/C			01
-207	V2696300	Fuse	SIP 4A 125V J/U/C			01
IC101	XM356A00	IC	NJM2068L-D	OP AMP		02
-104	XM356A00	IC	NJM2068L-D	OP AMP		02
IC111	XM356A00	IC	NJM2068L-D	OP AMP		02
-115	XM356A00	IC	NJM2068L-D	OP AMP		02
IC121	XM356A00	IC	NJM2068L-D	OP AMP		02
-124	XM356A00	IC	NJM2068L-D	OP AMP		02
IC201	XM356A00	IC	NJM2068L-D	OP AMP		02
-217	XM356A00	IC	NJM2068L-D	OP AMP		02
IC601	XJ607A00	IC	NJM7805FA	REGULATOR +5V		02
JK101	VZ661000	Phone Jack	JY-6313	INSERT I/O 0dB		02
-122	VZ661000	Phone Jack	JY-6313	SUB IN +4dB		02
K101	--	Phone Jack Holder		(VZ70940)		
-111	--	Phone Jack Holder		(VZ70940)		
K201	V2402600	Terminal Angle Bracket				01
-204	V2402600	Terminal Angle Bracket				01
K301	V2402600	Terminal Angle Bracket				01
K302	V2402600	Terminal Angle Bracket				01
K401	VB966900	Style Pin	IMSA-6024			01
Q101	IA101590	Transistor	2SA1015 O,Y			01
Q201	IC1815M0	Transistor	2SC1815 Y,GR			01
Q202	IA101590	Transistor	2SA1015 O,Y			01
Q203	IC1815M0	Transistor	2SC1815 Y,GR			01
Q204	IA101590	Transistor	2SA1015 O,Y			01
-206	IA101590	Transistor	2SA1015 O,Y			01
RY101	VM640200	Relay	DC RY 12W-OH-K			05
-108	VM640200	Relay	DC RY 12W-OH-K			05
RY201	VM640200	Relay	DC RY 12W-OH-K			05
* SW401	V4584400	Slide Switch	SSSF122NA1			
	VV062800	Mylar Capacitor	0.1 50V J	C:365,366,368,370,601,602		01
	VZ352800	Ceramic Capacitor-SL	22P 50V J	C:242,245,250,253,258, 261,266,269,274,277, 282,285,290,293		01
	VZ353200	Ceramic Capacitor-SL	47P 50V J	C:103,110,115,122,127,		01

*: New Parts

RANK: Japan only

REF NO.	PART NO.	DESCRIPTION		REMARKS	QTY	RANK
	VZ353500	Ceramic Capacitor-SL	100P 50V J	127,134,139,146,151, 157,161,167,171,177, 181,187,191,202,205, 210,213,218,221,226, 229,302,305,310,313, 318,321,327,331,336, 340,343,402,405,408, 411,414,417,420,423 C:102,109,114,121,126, 133,138,145,150,156, 160,166,170,176,180, 186,190,401,404,407, 410,413,416,419,422		01
	VZ353600	Ceramic Cap.-B	220P 50V K	C:201,204,209,212,217, 220,225,228,241,244, 249,252,257,260,265, 268,273,276,281,284, 289,292,301,304,309, 312,317,320,326,330, 335,339,342		01
	VZ354000	Ceramic Capacitor-F	0.01 50V Z	C:105,106,117,118,129, 130,141,142,153,154, 163,164,173,174,183, 184,193,194,207,208, 215,216,223,224,231, 232,247,248,255,256, 263,264,271,272,279, 280,287,288,295,296, 307,308,315,316,323, 324,333,334,337,338, 345,346,353,425-432		01
	UJ639220	Electrolytic Cap.	2200 16.0V	C:369		02
	UJ659100	Electrolytic Cap.	1000 35.0V	C:361-364		02
	UJ838220	Electrolytic Cap.	220.00 16.0V	C:371-373		01
	UJ847100	Electrolytic Cap.	10.00 25.0V	C:351,352		01
	UJ847470	Electrolytic Cap.	47.00 25.0V	C:101,104,107,108, 111-113,116,119,120, 123-125,128,131,132, 135-137,140,143,144, 147-149,152,155,158, 159,162,165,168,169, 172,175,178,179,182, 185,188,189,192, 195-197,203,206,211, 214,219,222,227,230, 243,246,251,254,259, 262,267,270,275,278, 283,286,291,294,303, 306,311,314,319,322, 325,328,329,332,341, 344,403,406,409,412, 415,418,421,424		01
	UJ867470	Electrolytic Cap.	47.00 50.0V	C:367		01
	HF454100	Carbon Resistor	10.0 1/4 J	R:202,205,208,211,214, 217,220,223,232,235, 238,241,244,247,250, 253,256,259,262,265, 268,271,303,307,311, 314,317,320,327,334, 341,346,601-617,623, 626,629,632,635,638, 641,644		01
	HF456220	Carbon Resistor	2.2K 1/4 J	R:401		01
	HF456470	Carbon Resistor	4.7K 1/4 J	R:362,364-366,368,370-374		01
	HF457100	Carbon Resistor	10.0K 1/4 J	R:102,103,108,109,114, 115,120,121,126,127, 132,133,138,139,144, 145,150,151,154,155, 158,159,162,163,166, 167,170,171,174,175,		01

*: New Parts

RANK: Japan only

REF NO.	PART NO.	DESCRIPTION		REMARKS	QTY	RANK
				178,179,182,183,191, 192,361,367,377,378, 621,622,624,625,627, 628,630,631,633,634, 636,637,639,640,642, 643		
	HF457180	Carbon Resistor	18.0K 1/4 J	R:201,204,207,210,213, 216,219,222,225-227, 302,306,310,313,316, 319,323-326,330-333, 336-340,343-345		01
	HF457220	Carbon Resistor	22.0K 1/4 J	R:375		01
	HF457300	Carbon Resistor	30.0K 1/4 J	R:301,305,309		01
	HF457360	Carbon Resistor	36.0K 1/4 J	R:231,234,237,240,243, 246,249,252,255,258, 261,264,267,270,273-286		01
	HF457470	Carbon Resistor	47.0K 1/4 J	R:363,369,376,391		01
	HF458100	Carbon Resistor	100.0K 1/4 J	R:104,106,110,112,116, 118,122,124,128,130, 134,136,140,142,146, 148,152,156,160,164, 168,172,176,180,184, 195-197,315,318,321		01
	HF458220	Carbon Resistor	220.0K 1/4 J	R:101,105,107,111,113, 117,119,123,125,129, 131,135,137,141,143, 147,149,153,157,161, 165,169,173,177,181, 233,236,239,242,245, 248,304,308,312,322, 328,329,335,342,347		01
	HF458470	Carbon Resistor	470.0K 1/4 J	R:193,194,203,206,209, 212,215,218,221,224, 251,254,257,260,263, 266,269,272,501-516		01
* *	V4314100 V4467500	Circuit Board Push Button S	MAS1 CD-GRAY/WHITE	(XW212B0) SW101,201,301,401,501, 601,701,801	8	
* *	V4469400	Push Button L	(A7/G1-A14/G8(ON)) CL-GRAY/RED 102,202,302,402,502, 602,702,802 (A7/G1-A14/G8(AFL))	SW901(GROUP/AUX FLIP),	9	
	VV307300	LED Spacer				01
CN101	VV066900	Connector Base Post	M2426XX 9P TE			01
CN102	VV066800	Connector Base Post	M2426XX 8P TE			01
CN103	VV066300	Connector Base Post	M2426XX 3P TE			01
CN104	VV066200	Connector Base Post	M2426XX 2P TE			01
CN105	VV067000	Connector Base Post	M2426XX 10P TE			01
CN106	VP682200	Connector, FFC	52045 8P TE			01
CN107	--	Connector Base Post	M2426XX 13P TE	(VV06730)		
CN108	VV067000	Connector Base Post	M2426XX 10P TE			01
CN109	VV066500	Connector Base Post	M2426XX 5P TE			01
IC101	XM356A00	IC	NJM2068L-D	OP AMP		02
-103	XM356A00	IC	NJM2068L-D	OP AMP		02
IC301	XM356A00	IC	NJM2068L-D	OP AMP		02
-303	XM356A00	IC	NJM2068L-D	OP AMP		02
IC501	XM356A00	IC	NJM2068L-D	OP AMP		02
-503	XM356A00	IC	NJM2068L-D	OP AMP		02
IC701	XM356A00	IC	NJM2068L-D	OP AMP		02
-703	XM356A00	IC	NJM2068L-D	OP AMP		02
IC901	XF195A00	IC	NJM4580L	OP AMP		04
LD901	VV621000	LED	LT321-41-C13 GR	GROUP		01
LD902	VV938100	LED	LT331-41-C13 YE	AUX		01
LD903	VV620800	LED	LT311G-41-C13 RE	-48V		01
LD904	VV621000	LED	LT321-41-C13 GR	-12V,+15V,-15V		01
-906	VV621000	LED	LT321-41-C13 GR			01
SW101	VZ587700	Push Switch	2C-2S Lock	A7/G1(ON)		01
SW102	VZ251800	Push Switch	ESB68149	A7/G1(AFL)		03

*: New Parts

RANK: Japan only

REF NO.	PART NO.	DESCRIPTION		REMARKS	QTY	RANK
SW201	VZ587700	Push Switch	2C-2S Lock	A8/G2(ON)		01
SW202	VZ251800	Push Switch	ESB68149	A8/G2(AFL)		03
SW301	VZ587700	Push Switch	2C-2S Lock	A9/G3(ON)		01
SW302	VZ251800	Push Switch	ESB68149	A9/G3(AFL)		03
SW401	VZ587700	Push Switch	2C-2S Lock	A10/G4(ON)		01
SW402	VZ251800	Push Switch	ESB68149	A10/G4(AFL)		03
SW501	VZ587700	Push Switch	2C-2S Lock	A11/G5(ON)		01
SW502	VZ251800	Push Switch	ESB68149	A11/G5(AFL)		03
SW601	VZ587700	Push Switch	2C-2S Lock	A12/G6(ON)		01
SW602	VZ251800	Push Switch	ESB68149	A12/G6(AFL)		03
SW701	VZ587700	Push Switch	2C-2S Lock	A13/G7(ON)		01
SW702	VZ251800	Push Switch	ESB68149	A13/G7(AFL)		03
SW801	VZ587700	Push Switch	2C-2S Lock	A14/G8(ON)		01
SW802	VZ251800	Push Switch	ESB68149	A14/G8(AFL)		03
SW901	VZ587700	Push Switch	2C-2S Lock	GROUP/AUX FLIP		01
VR101	VU804600	Rotary Variable Resistor	A 20.0K RK09K113	SUBIN(L,R),G1/A7-G8/A14,		04
-114	VU804600	Rotary Variable Resistor	A 20.0K RK09K113	ST(L,R),MONO/C.LEVEL		04
VR201	VU804600	Rotary Variable Resistor	A 20.0K RK09K113	SUBIN(L,R),G1/A7-G8/A14,		04
-214	VU804600	Rotary Variable Resistor	A 20.0K RK09K113	ST(L,R),MONO/C.LEVEL		04
VR301	VU804600	Rotary Variable Resistor	A 20.0K RK09K113	SUBIN(L,R),G1/A7-G8/A14,		04
-314	VU804600	Rotary Variable Resistor	A 20.0K RK09K113	ST(L,R),MONO/C.LEVEL		04
VR401	VU804600	Rotary Variable Resistor	A 20.0K RK09K113	SUBIN(L,R),G1/A7-G8/A14,		04
-414	VU804600	Rotary Variable Resistor	A 20.0K RK09K113	ST(L,R),MONO/C.LEVEL		04
VR501	VU804600	Rotary Variable Resistor	A 20.0K RK09K113	SUBIN(L,R),G1/A7-G8/A14,		04
-514	VU804600	Rotary Variable Resistor	A 20.0K RK09K113	ST(L,R),MONO/C.LEVEL		04
VR601	VU804600	Rotary Variable Resistor	A 20.0K RK09K113	SUBIN(L,R),G1/A7-G8/A14,		04
-614	VU804600	Rotary Variable Resistor	A 20.0K RK09K113	ST(L,R),MONO/C.LEVEL		04
VR701	VU804600	Rotary Variable Resistor	A 20.0K RK09K113	SUBIN(L,R),G1/A7-G8/A14,		04
-714	VU804600	Rotary Variable Resistor	A 20.0K RK09K113	ST(L,R),MONO/C.LEVEL		04
VR801	VU804600	Rotary Variable Resistor	A 20.0K RK09K113	SUBIN(L,R),G1/A7-G8/A14,		04
-814	VU804600	Rotary Variable Resistor	A 20.0K RK09K113	ST(L,R),MONO/C.LEVEL		04
ZD901	VG443700	Zener Diode	MTZ J 33.0B 33.0V			01
	VZ353200	Ceramic Capacitor-SL	47P 50V J	C:102-104,202-204, 302-304,402-404, 502-504,602-604, 702-704,802-804, 903-908		01
	VZ353400	Ceramic Capacitor-SL	68P 50V J	C:109,209,309,409,509, 609,709,809		01
	VZ353500	Ceramic Capacitor-SL	100P 50V J	C:107,108,207,208,307, 308,407,408,507,508, 607,608,707,708,807, 808		01
	VZ353600	Ceramic Cap.-B	220P 50V K	C:101,201,301,401,501, 604,701,801		01
	VZ353900	Ceramic Cap.-B	1000P 50V K	C:111,112,211,311,312, 411,511,512,611,711, 712,811,913		01
	VZ354000	Ceramic Capacitor-F	0.01 50V Z	C:113-116,313-316, 513-516,713-716, 911,912		01
	UJ847100	Electrolytic Cap.	10.00 25.0V	C:106,206,306,406,506, 606,706,806,901,902		01
	UJ847470	Electrolytic Cap.	47.00 25.0V	C:105,110,205,210,305, 310,405,410,505,510, 605,610,705,710,805, 810,909,910		01
	HF454100	Carbon Resistor	10.0 1/4 J	R:123,223,323,423,523, 623,723,823,909,910		01
	HF454470	Carbon Resistor	47.0 1/4 J	R:117,217,317,417,517, 617,717,817		01
	HF455100	Carbon Resistor	100.0 1/4 J	R:125,225,325,425,525, 625,725,825		01
	HF455220	Carbon Resistor	220.0 1/4 J	R:118,120,218,220,318, 320,418,420,518,520, 618,620,718,720,818, 820		01
	HF456180	Carbon Resistor	1.8K 1/4 J	R:913,914,916		01
	HF456200	Carbon Resistor	2.0K 1/4 J	R:917,918		01
	HF456220	Carbon Resistor	2.2K 1/4 J	R:915		01

*: New Parts

RANK: Japan only

REF NO.	PART NO.	DESCRIPTION		REMARKS	QTY	RANK
	HF457100	Carbon Resistor	10.0K 1/4 J	R:121,122,221,222,321, 322,421,422,521,522, 621,622,721,722,821, 822,903,904,907,908		01
	HF457150	Carbon Resistor	15.0K 1/4 J	R:115,116,215,216,315, 316,415,416,515,516, 615,616,715,716,815, 816		01
	HF457160	Carbon Resistor	16.0K 1/4 J	R:901,902,905,906		01
	HF457180	Carbon Resistor	18.0K 1/4 J	R:101-114,119,126,127, 201-214,219,226,227, 301-314,319,326,327, 401-414,419,426,427, 501-514,519,526,527, 601-614,619,626,627, 701-714,719,726,727, 801-814,819,826,827		01
	HF458100	Carbon Resistor	100.0K 1/4 J	R:124,224,324,424,524, 624,724,824,911,912		01
* *	V4314200 V4467500	Circuit Board Push Button S	MAS2 CD-GRAY/WHITE	(XW213B0) SW151,251,351,451,551, 651,751,851 (A7/G1-A14/G8(ON)) SW906(OSCILLATOR(ON)), SW909(AUX7-10),910(AUX11- 14),913(MASTER PFL), 914(MONITOR(L+R))	13	
* *	V4467800 V4468000	Push Button S Push Button S	MX-BLUE/WHITE RED/WHITE	SW907(AUX1-2),908(AUX3-6) SW911(ST)	2	
* *	V4468200 V4469300	Push Button S Push Button L	YELLOW/WHITE CD-GRAY/WHITE	SW912(MONO/C) SW101(AUX1(ON)),201(AUX2 (ON)),301(AUX3(ON)), 401(AUX4(ON)),501(AUX5 (ON)),601(AUX6(ON)), 901(TALKBACK(ON))	7	
*	V4469400	Push Button L	CL-GRAY/RED	SW102(AUX1(AFL)),202(AUX2 (AFL)),302(AUX3(AFL)), 402(AUX4(AFL)),502(AUX5 (AFL)),602(AUX6(AFL)), 152(A7/G1(AFL)),252(A8/ G2(AFL)),352(A9/G3 (AFL)),452(A10/G4 (AFL)),552(A11/G5(AFL)), 652(A12/G6(AFL)),752 (A13/G7(AFL)),852 (A14/G8(AFL))	14	
	VV307300 VZ968500	LED Spacer Button S	NO.947 CD-GRAY	SW902-905(OSCILLATOR(PINK, 100Hz,1kHz,10kHz)), 915(MASTER SELECT (G1-8/A7-14)),917(MASTER SELECT(A7-14/G1-8)), 918(MASTER SELECT (MATRIX))	7	01 01
	V2947200	Button S	MX-BLUE	SW916(AUX1-6)		01
CN201	VP682200	Connector, FFC	52045 8P TE			01
CN202	VV066600	Connector Base Post	M2426XX 6P TE			01
CN203	VV066700	Connector Base Post	M2426XX 7P TE			01
CN204	VV066500	Connector Base Post	M2426XX 5P TE			01
CN205	VV066800	Connector Base Post	M2426XX 8P TE			01
-207	VV066800	Connector Base Post	M2426XX 8P TE			01
CN208	VV066900	Connector Base Post	M2426XX 9P TE			01
CN209	VV067100	Connector Base Post	M2426XX 11P TE			01
CN210	VV066500	Connector Base Post	M2426XX 5P TE			01
CN211	VV066200	Connector Base Post	M2426XX 2P TE			01
CN212	VV066400	Connector Base Post	M2426XX 4P TE			01
CN213	VV066300	Connector Base Post	M2426XX 3P TE			01
CN214	VV066700	Connector Base Post	M2426XX 7P TE			01
CN215	VV067000	Connector Base Post	M2426XX 10P TE			01

*: New Parts

RANK: Japan only