

# DIGITAL IO BOX


# DIO 8

# CIRCUIT DIAGRAM

## ■ CONTENTS

MAIN .....	3
CN.....	13
WC.....	14
LED3.....	15
PWCOM.....	16

## ■ WARNING

Components having special characteristics are marked  and must be replaced with parts having specification equal to those originally installed.

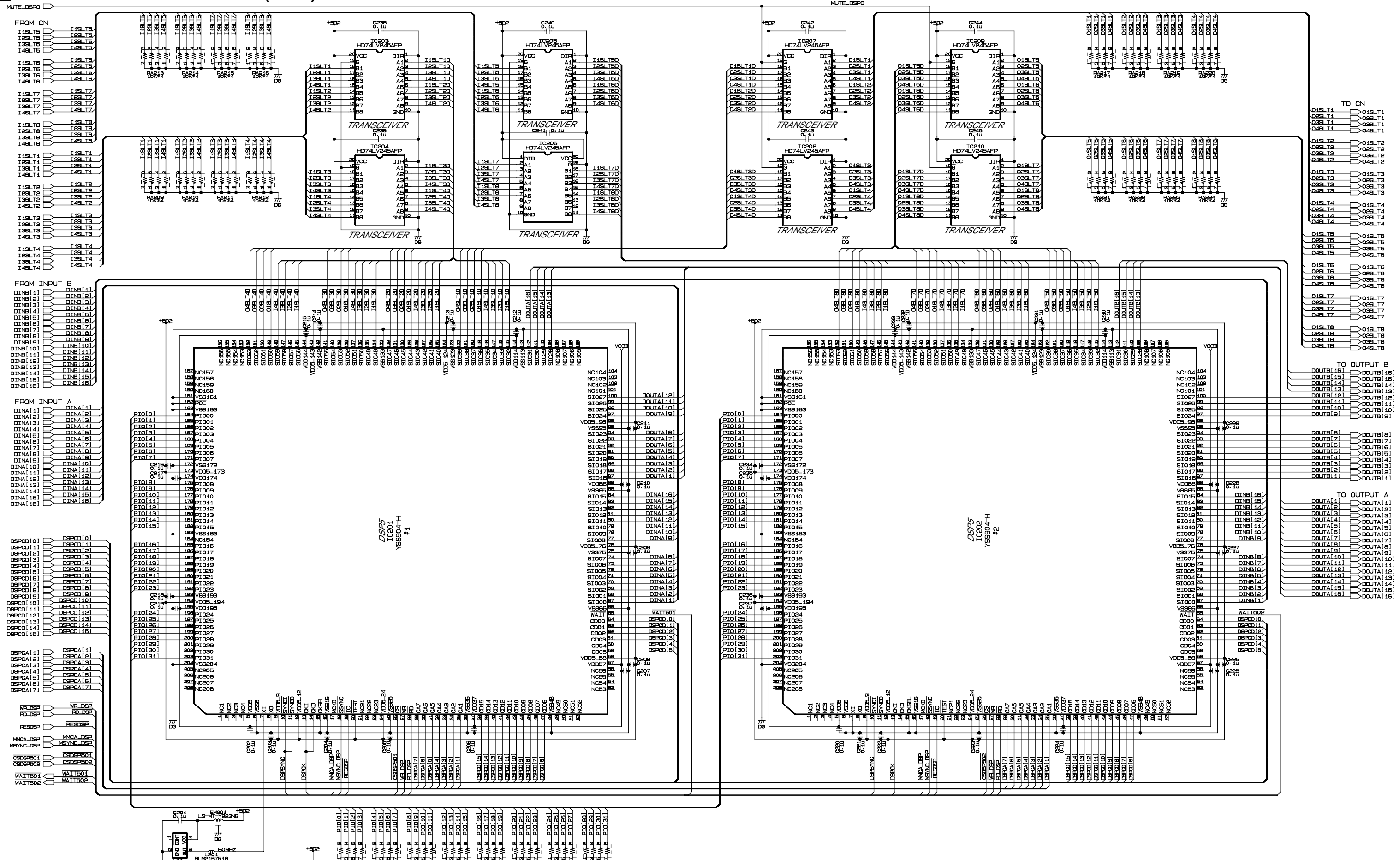




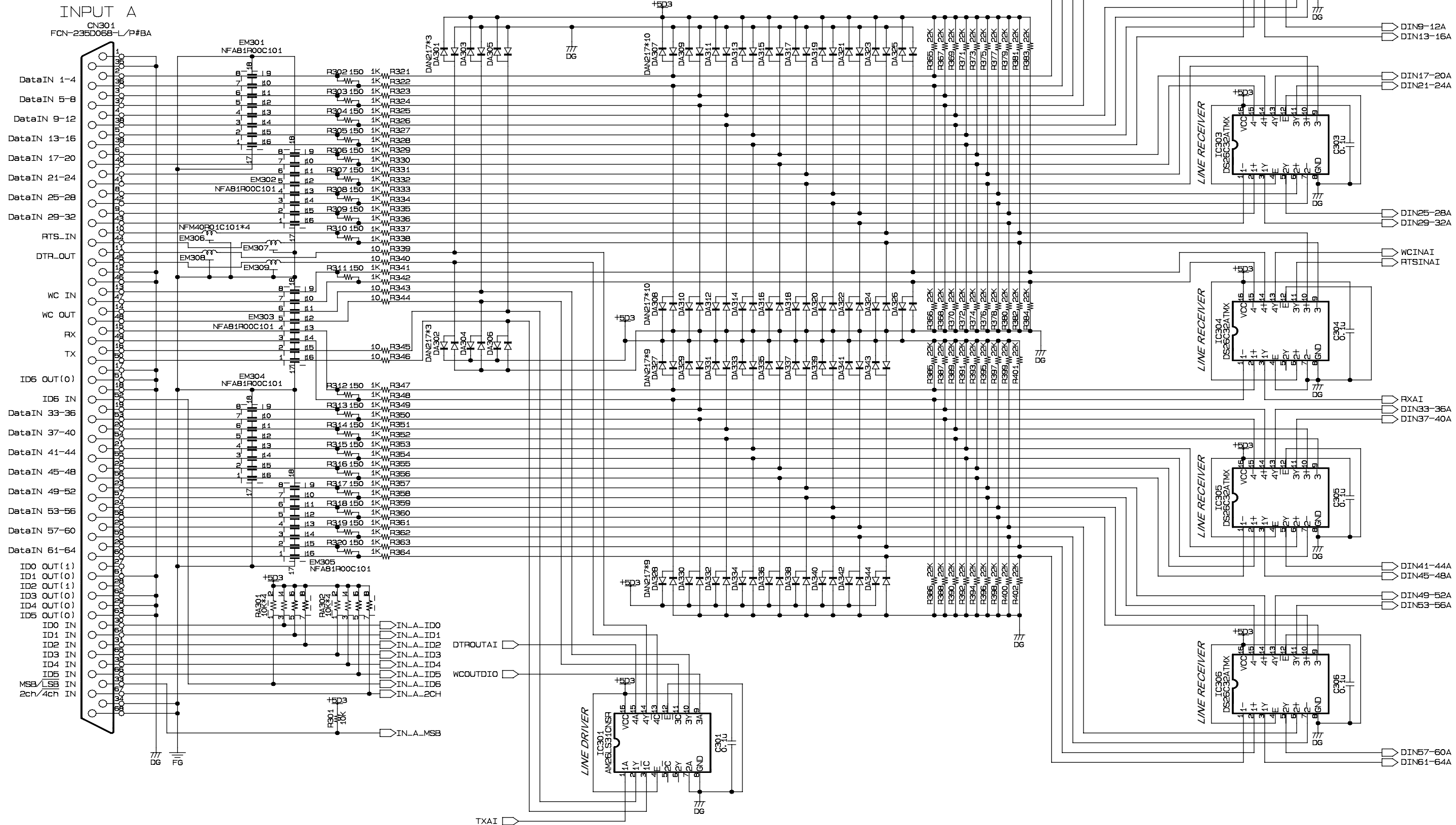


MAIN CIRCUIT DAIGRAM 004 (DIO8)

DIO8



MAIN CIRCUIT DAIGRAM 005 (DIO8)



DIO8



# MAIN CIRCUIT DAIGRAM 007 (DIO8)

# DIO8

1

2

3

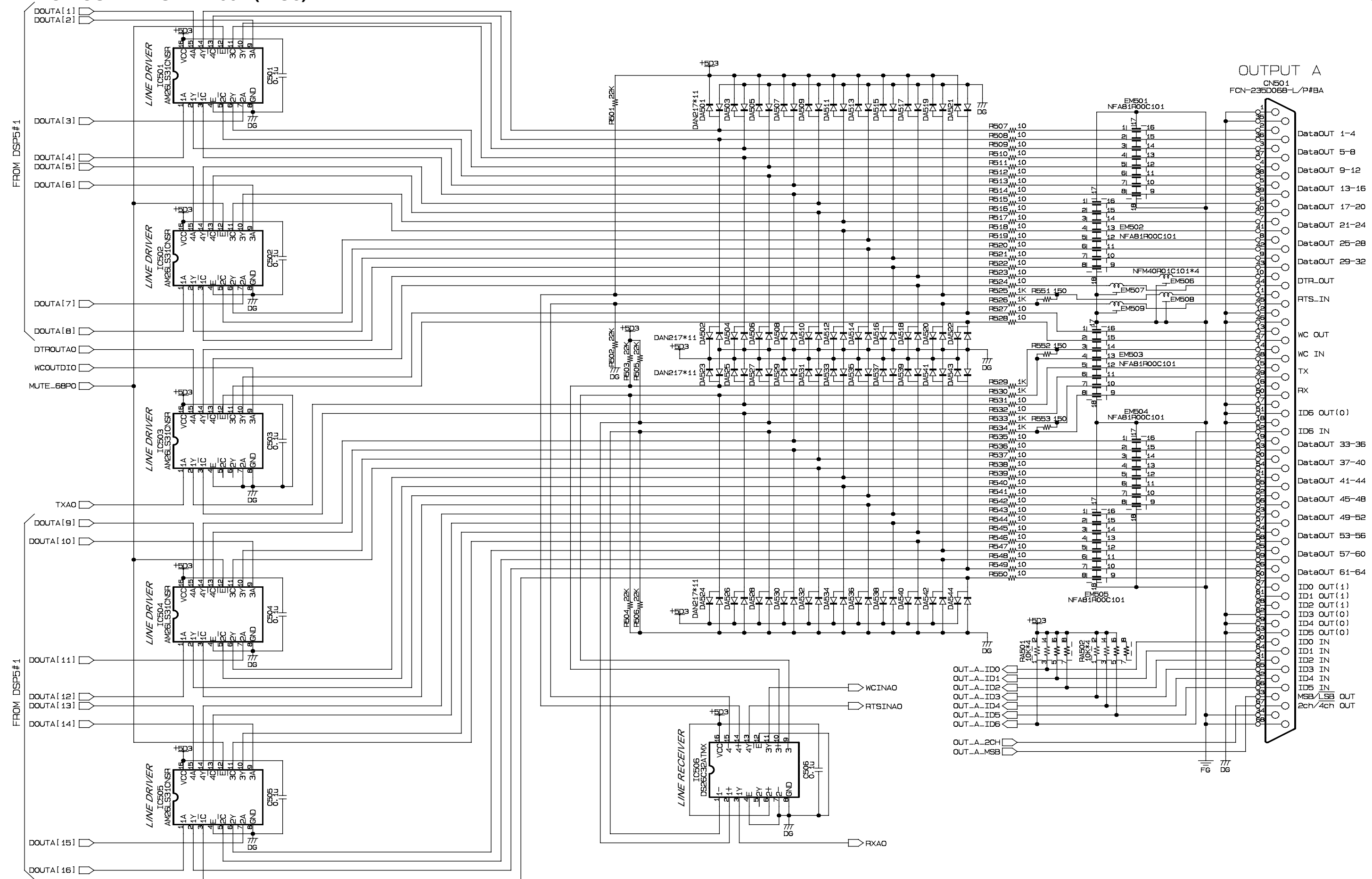
4

5

6

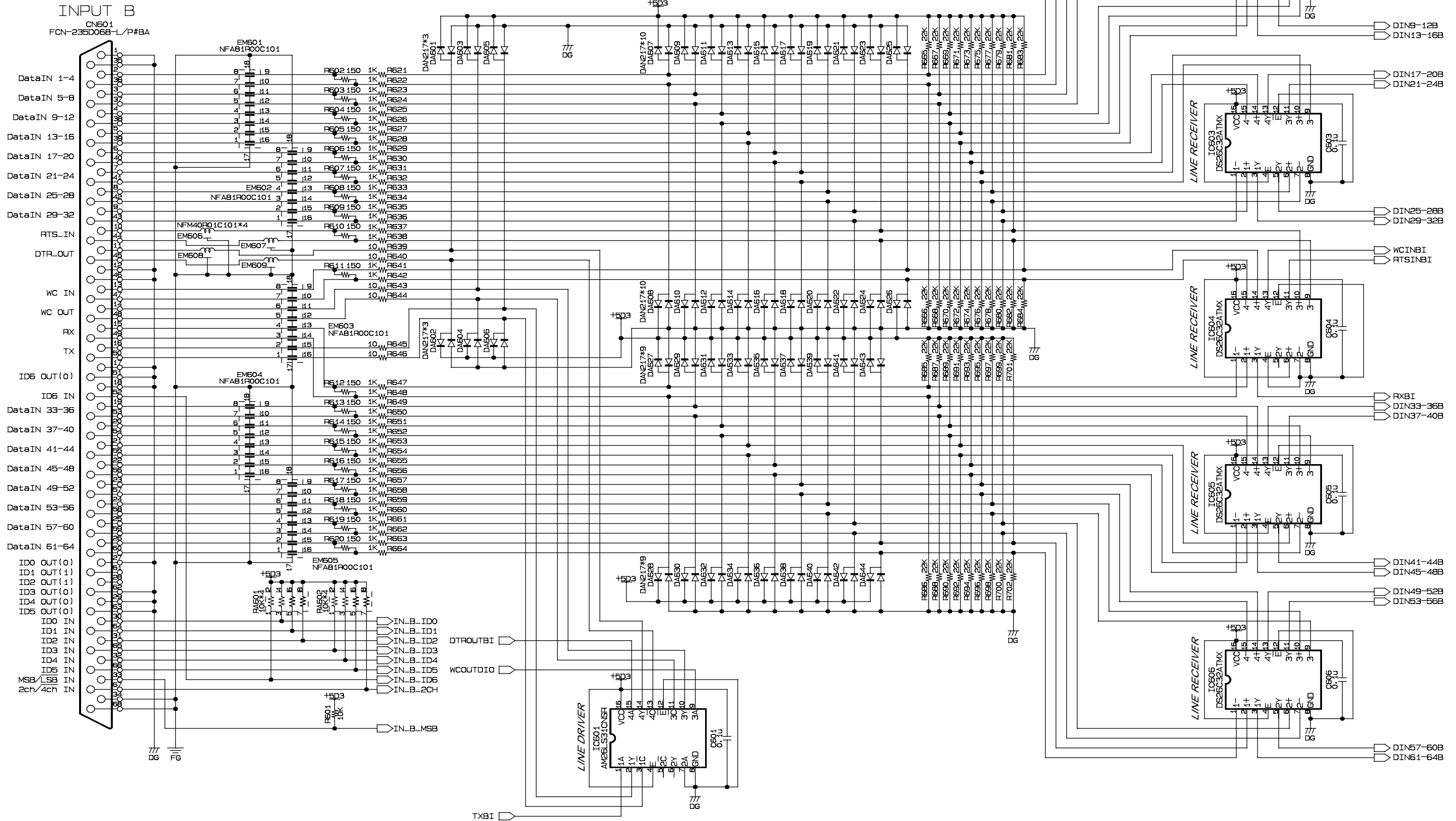
7

8





MAIN CIRCUIT DAIGRAM 008 (DIO8)





MAIN CIRCUIT DAIGRAM 009 (DIO8)

DIO8

1

2

3

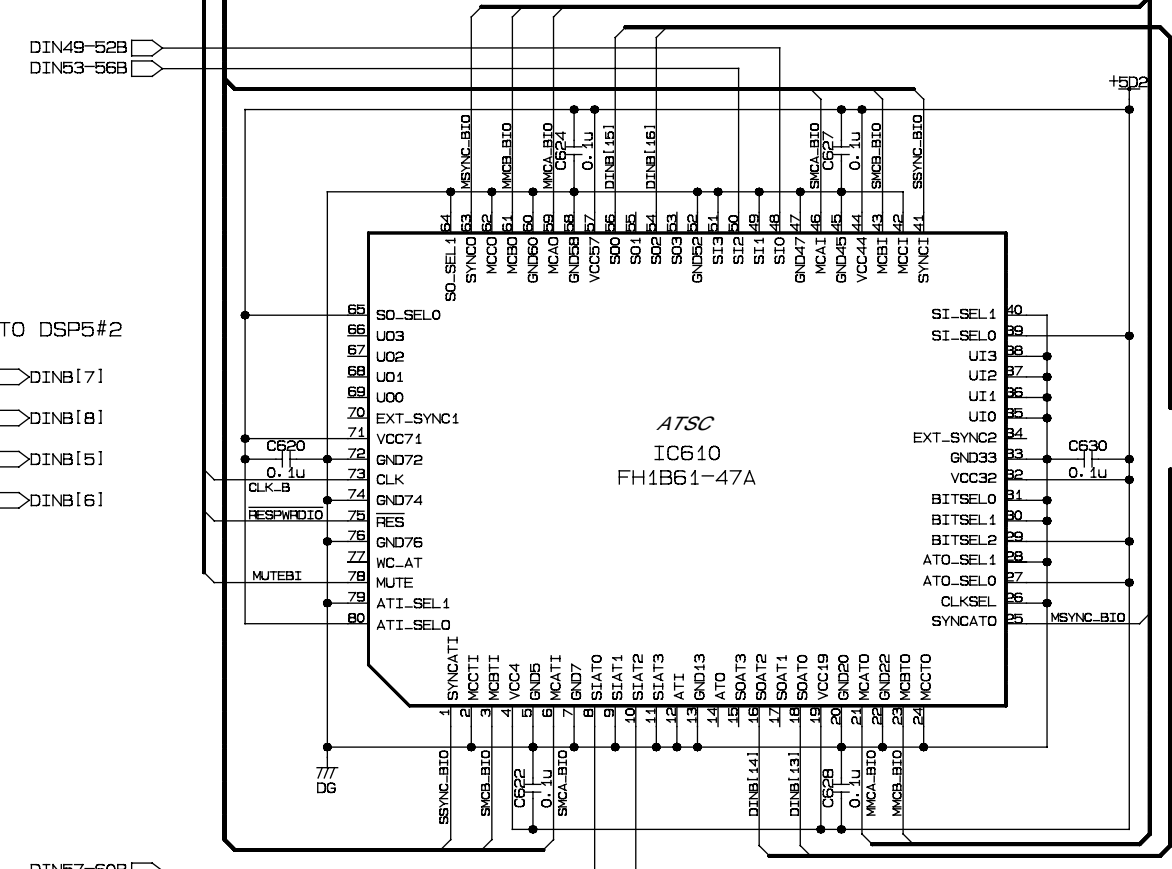
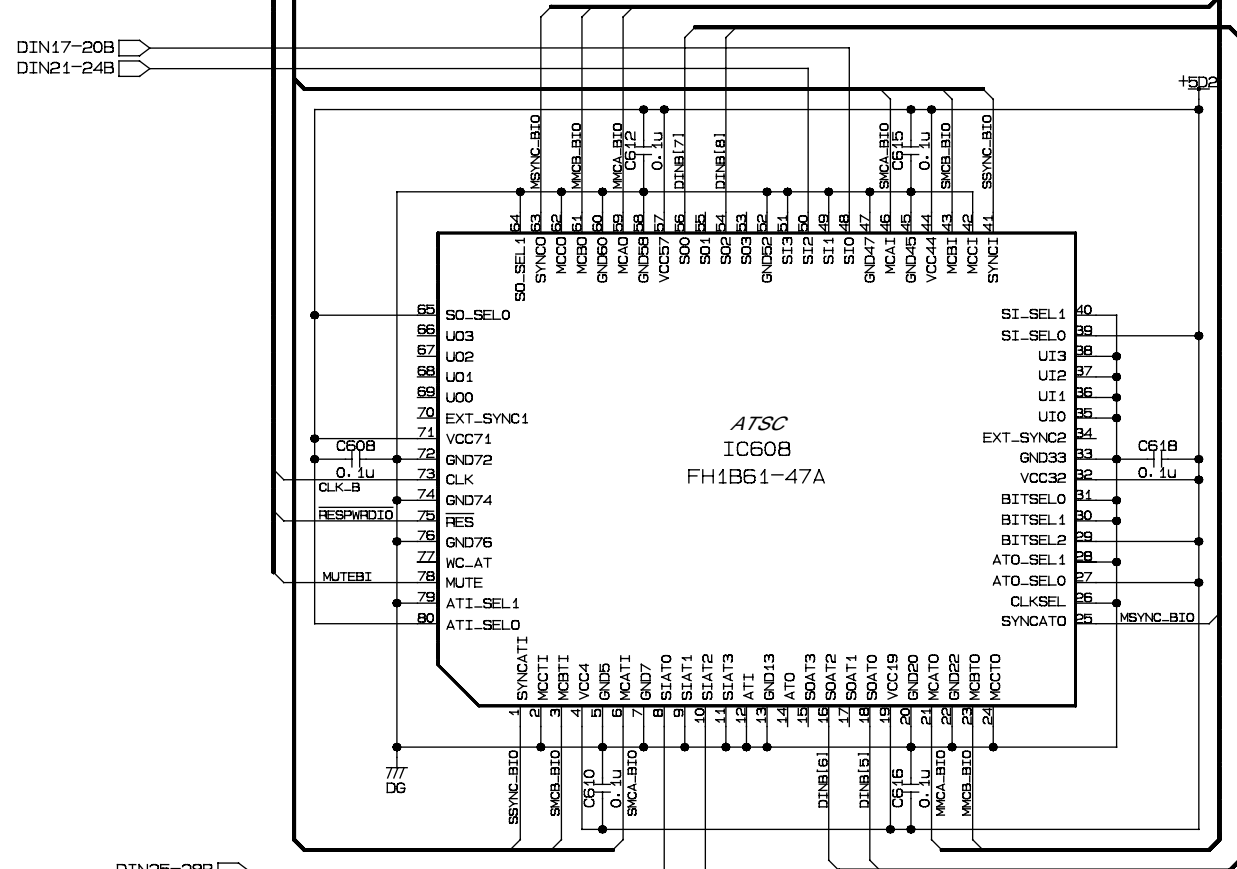
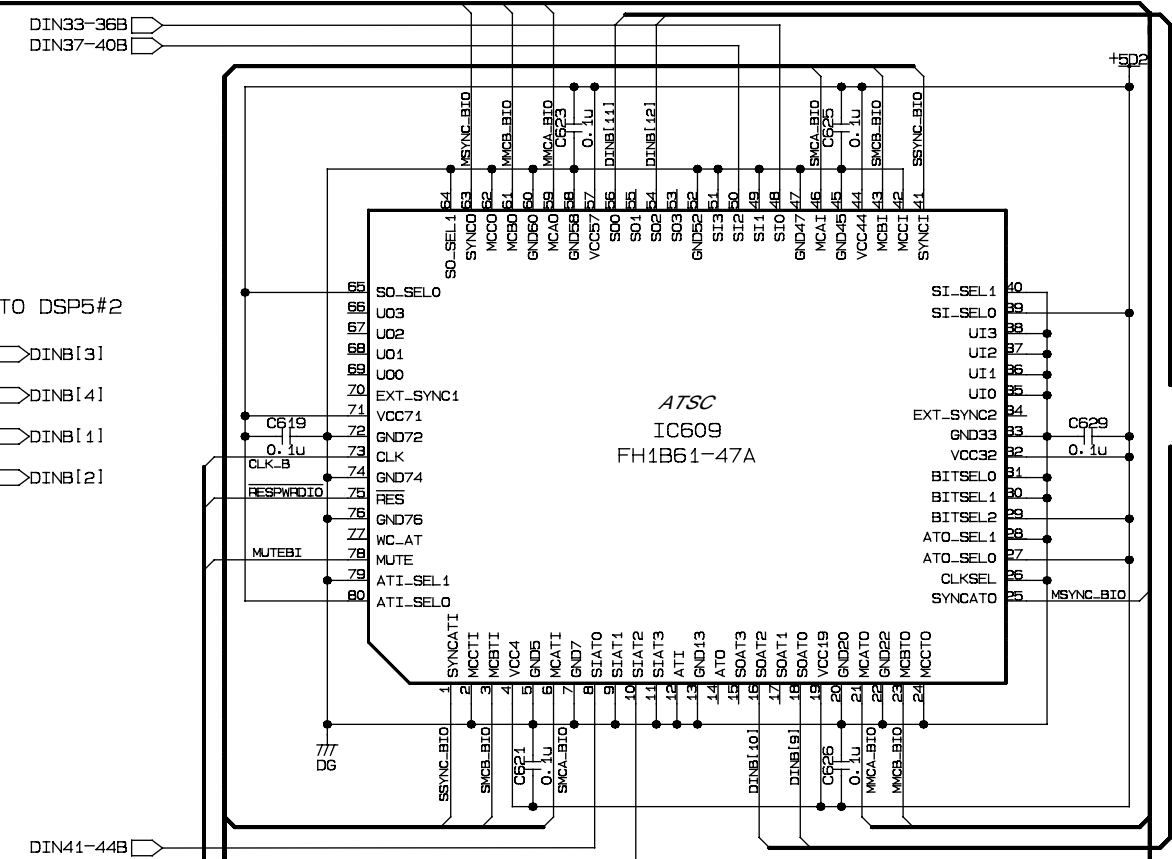
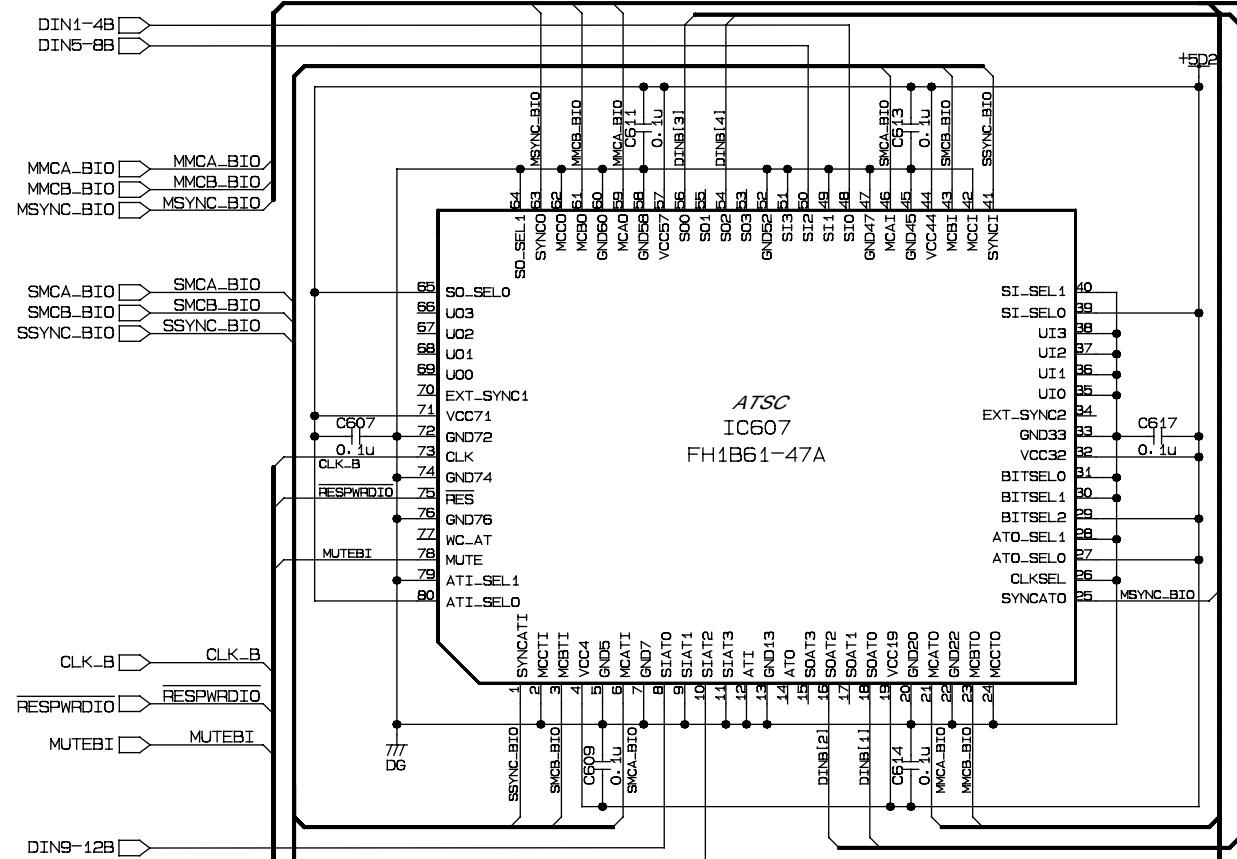
4

5

6

7

8



KEC-92497-9

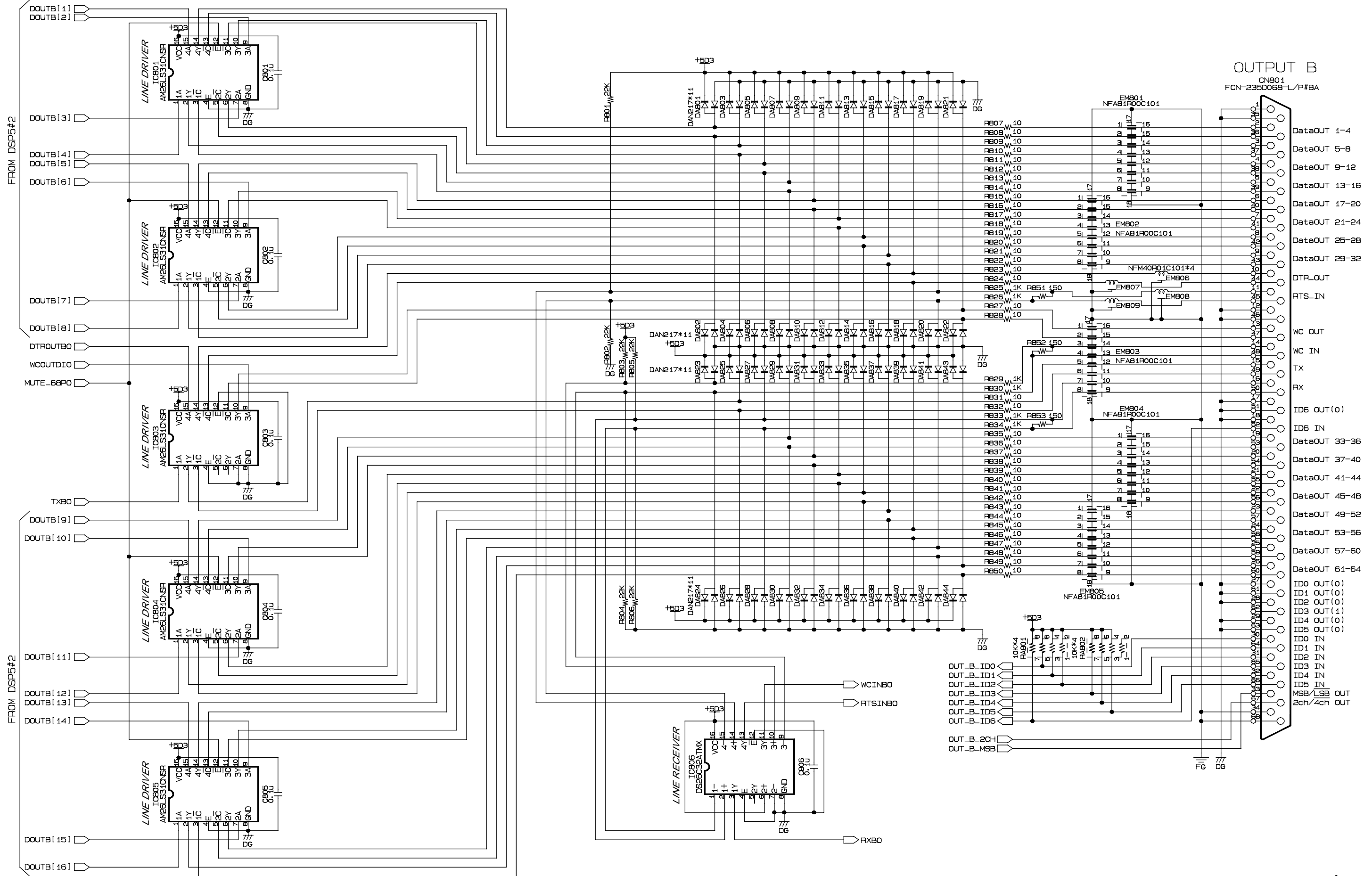
DIN25-28B  
DIN29-32B

MAIN CIRCUIT DAIGRAM 009 (DIO8)

INPUT B -> DSP5#2 (IC202)

MAIN CIRCUIT DAIGRAM 010 (DIO8)

DIO8



MAIN CIRCUIT DAIGRAM 011 (DIO8)

DIO8

1

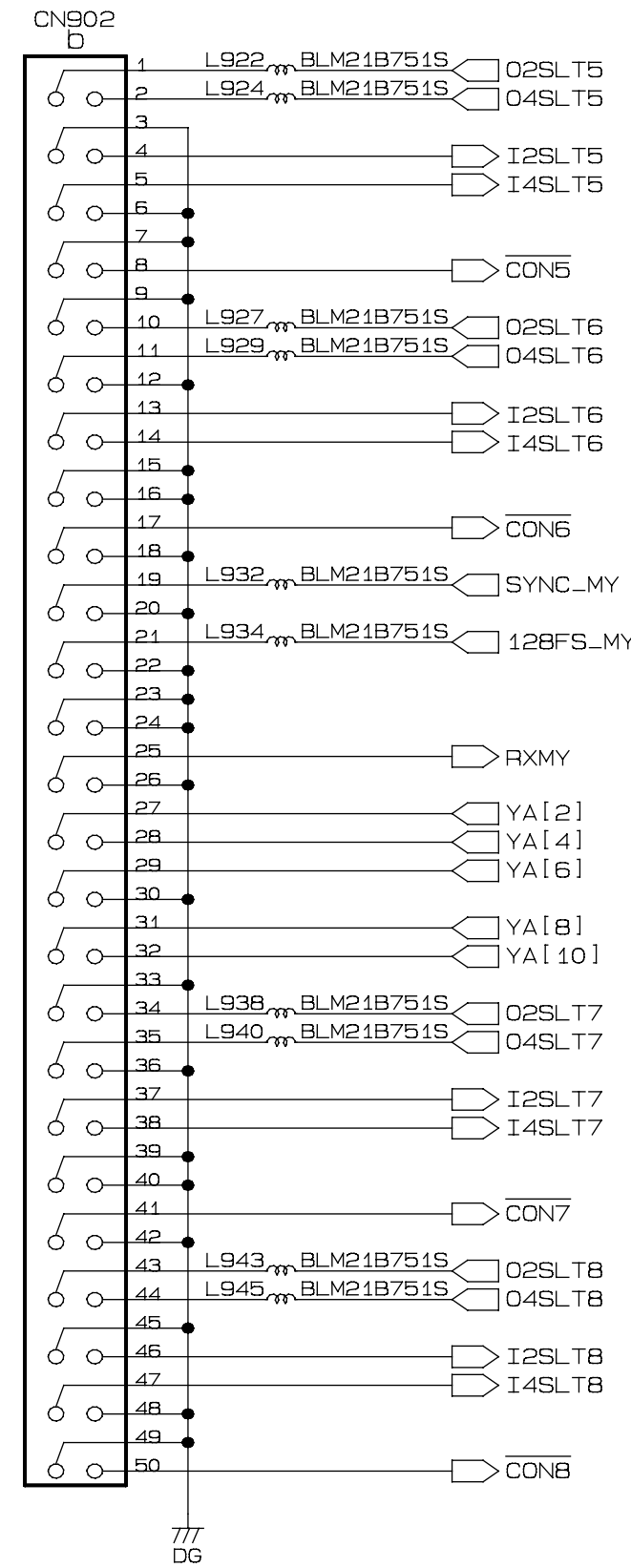
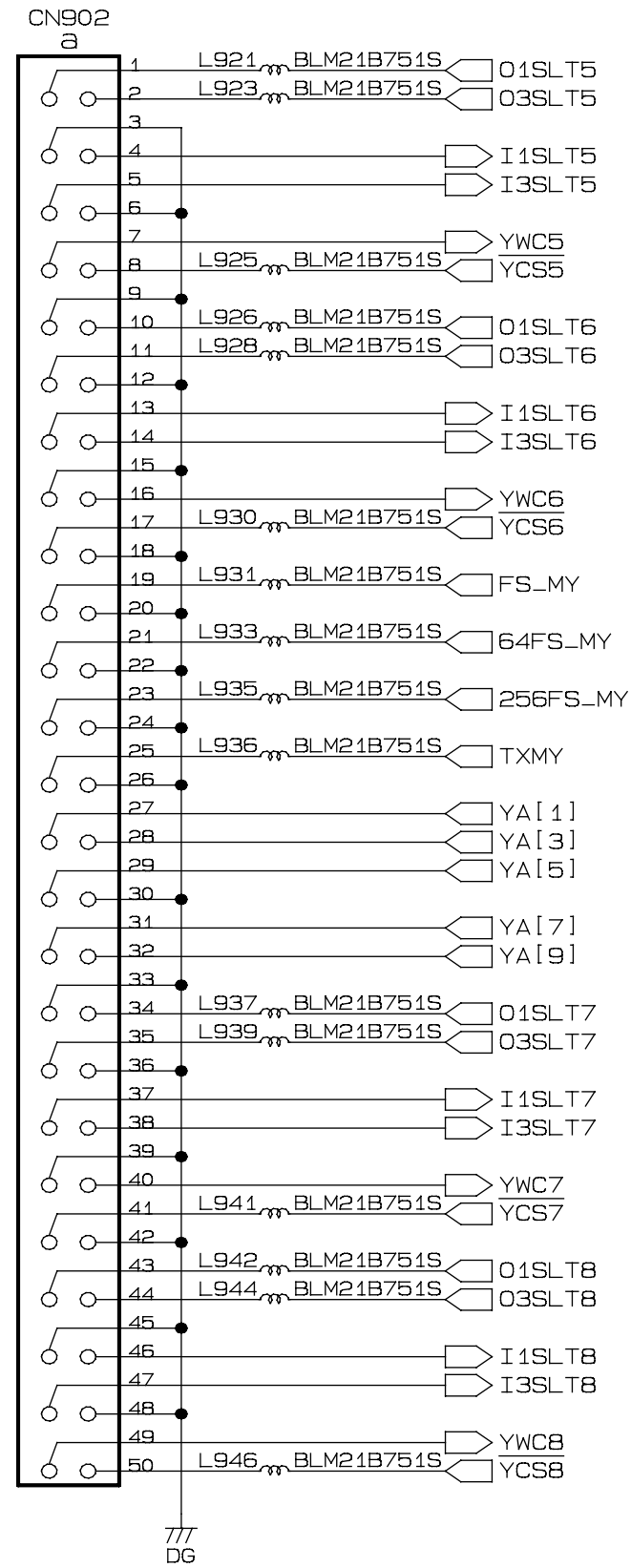
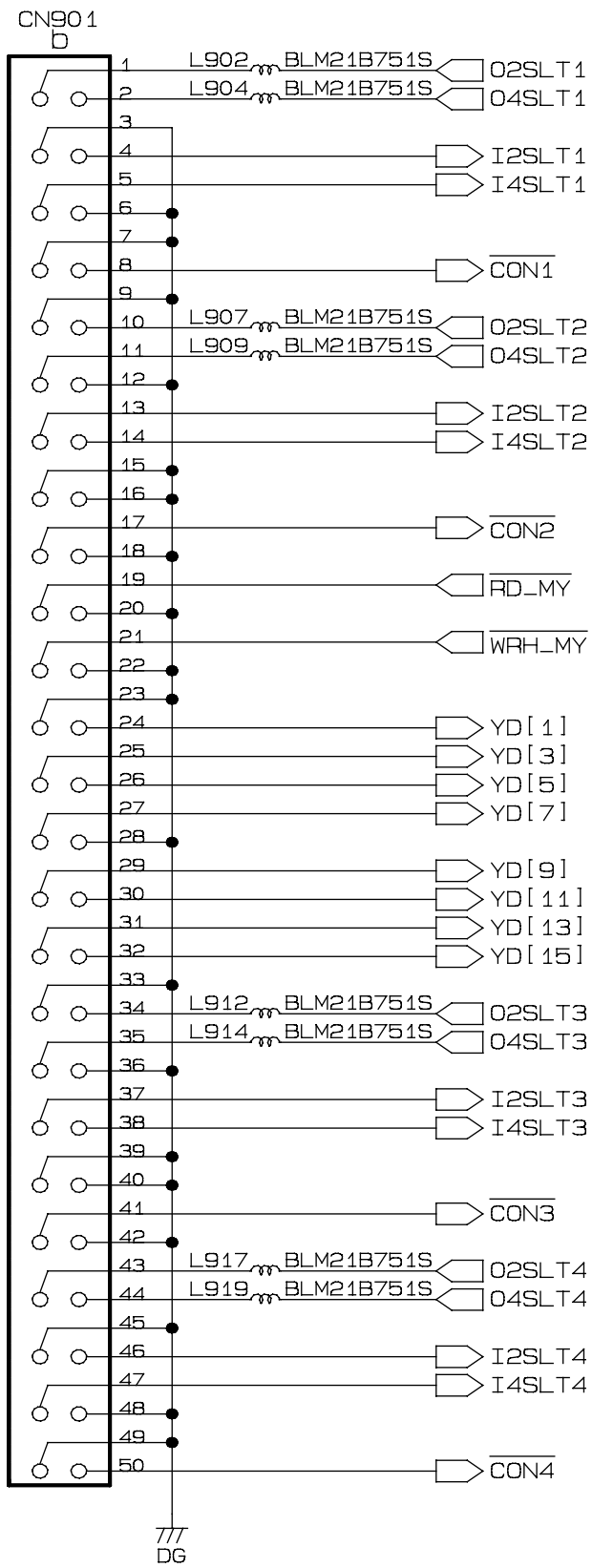
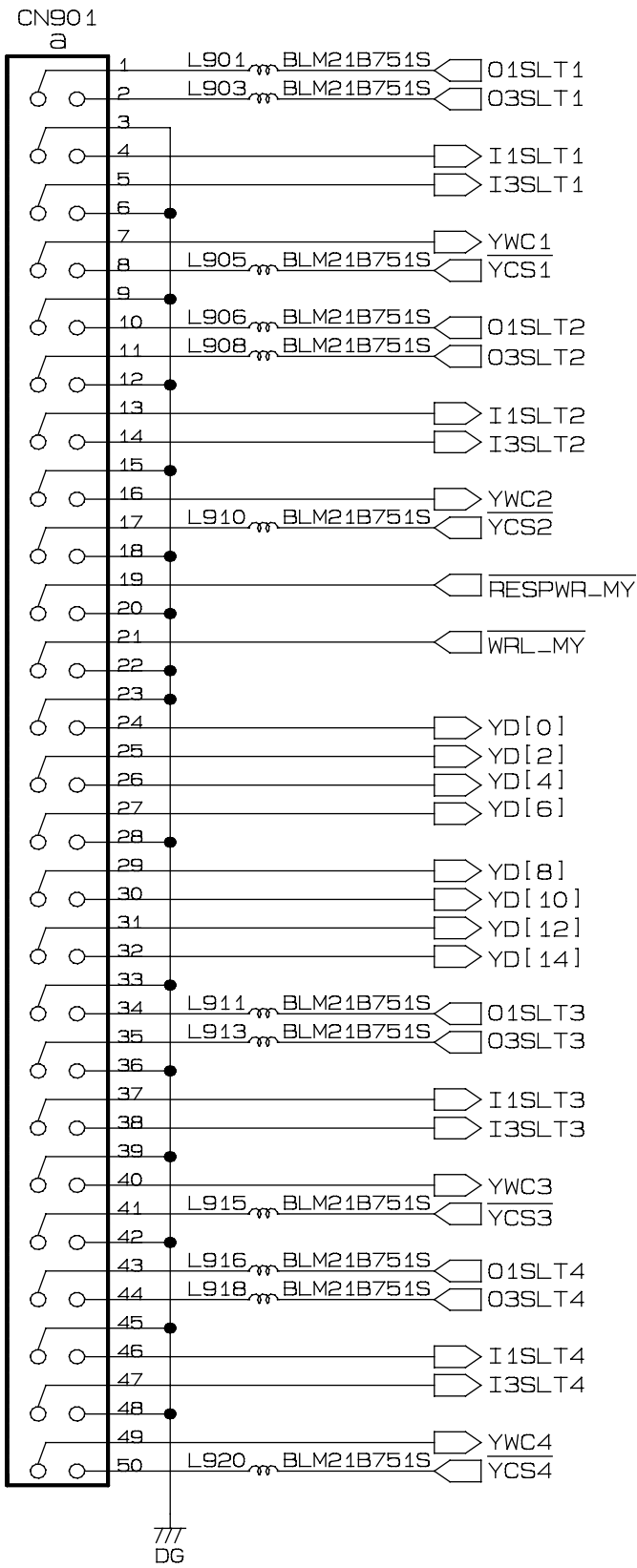
2

3

4

5

6



MAIN <-> CN