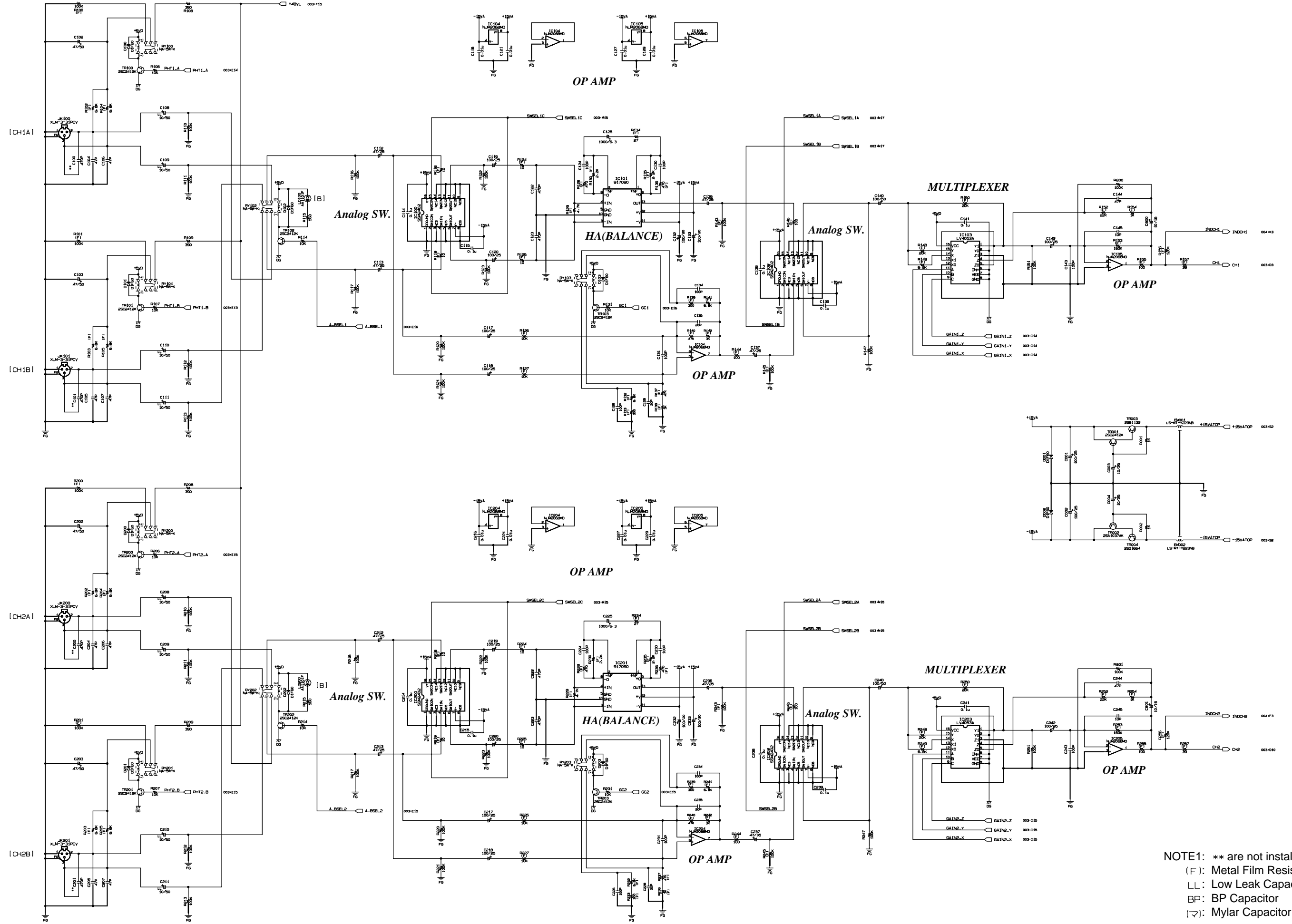
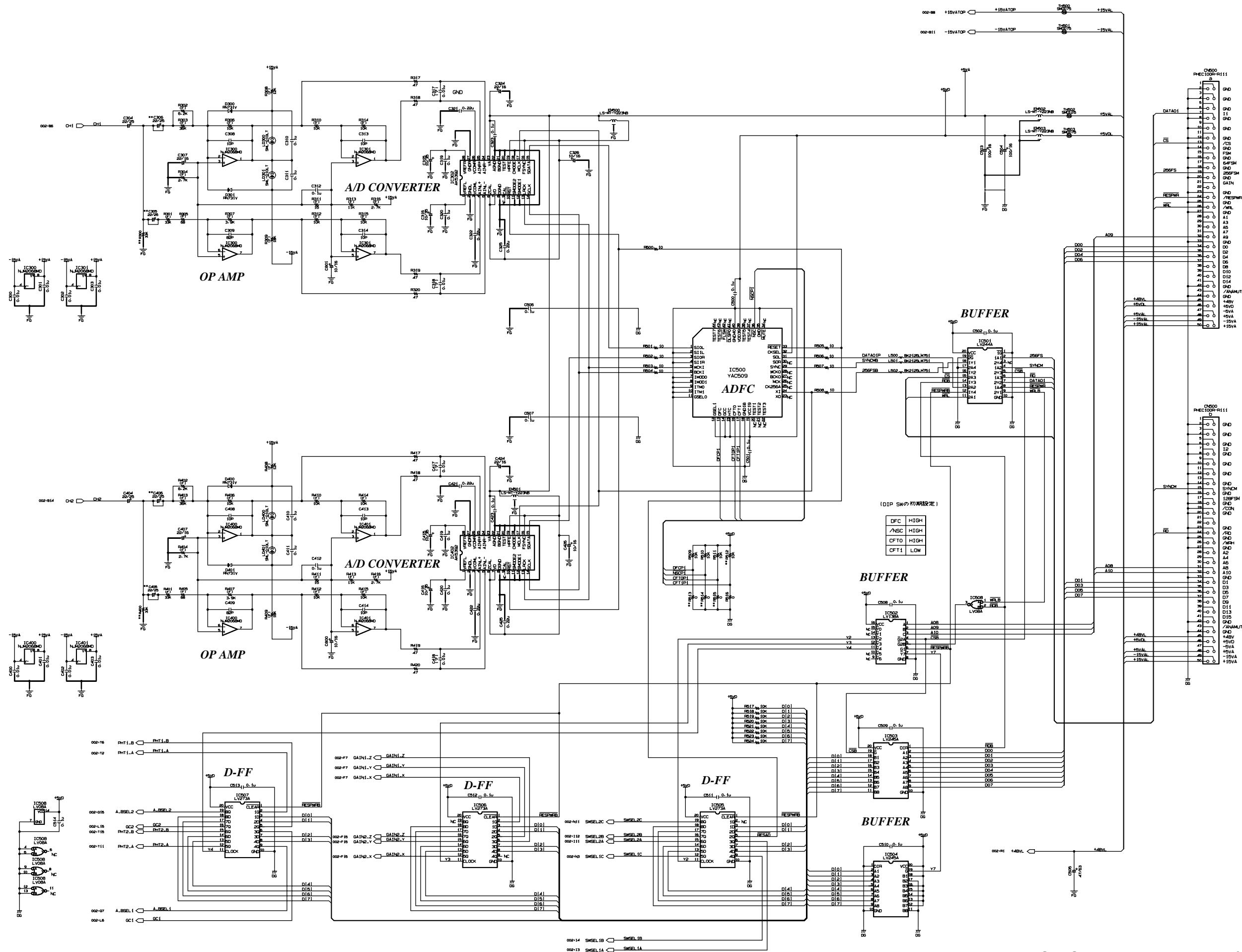


AD1 CIRCUIT DIAGRAM 002 (LMY2-ML)

LMY2-ML

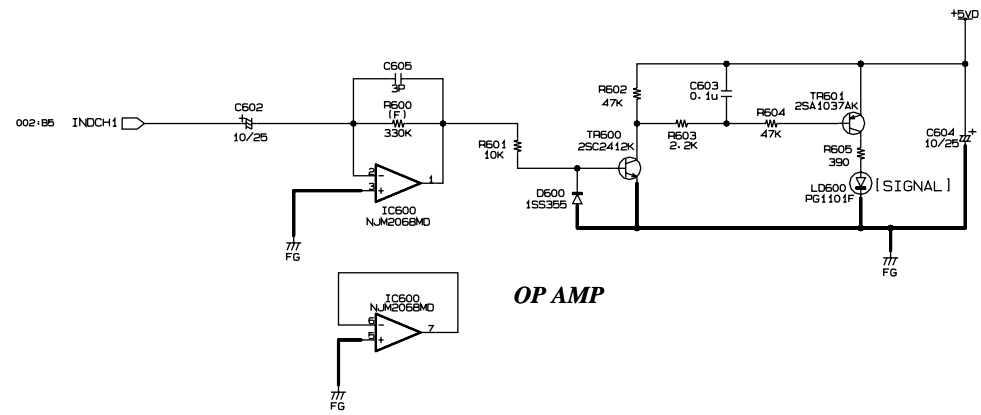


NOTE1: ** are not installed.
 (F): Metal Film Resistor
 (LL): Low Leak Capacitor
 (BP): BP Capacitor
 (M): Mylar Capacitor

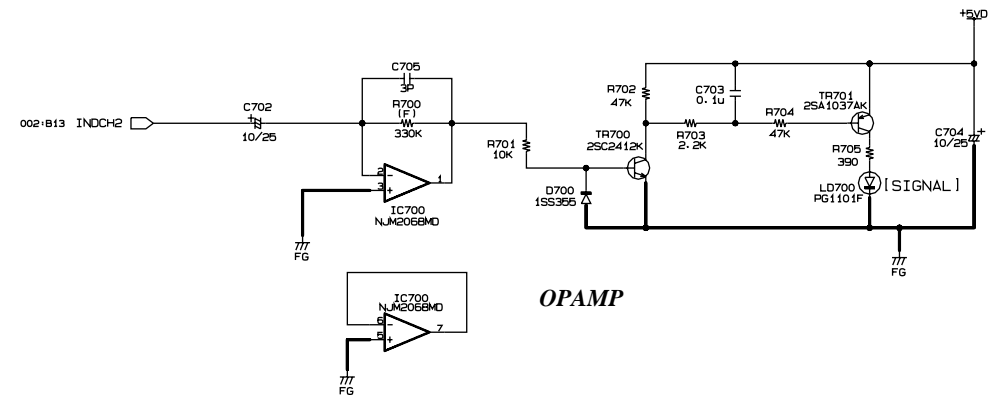


AD1 CIRCUIT DIAGRAM 004 (LMY2-ML)

LMY2-ML



OP AMP



OPAMP

OP AMP

