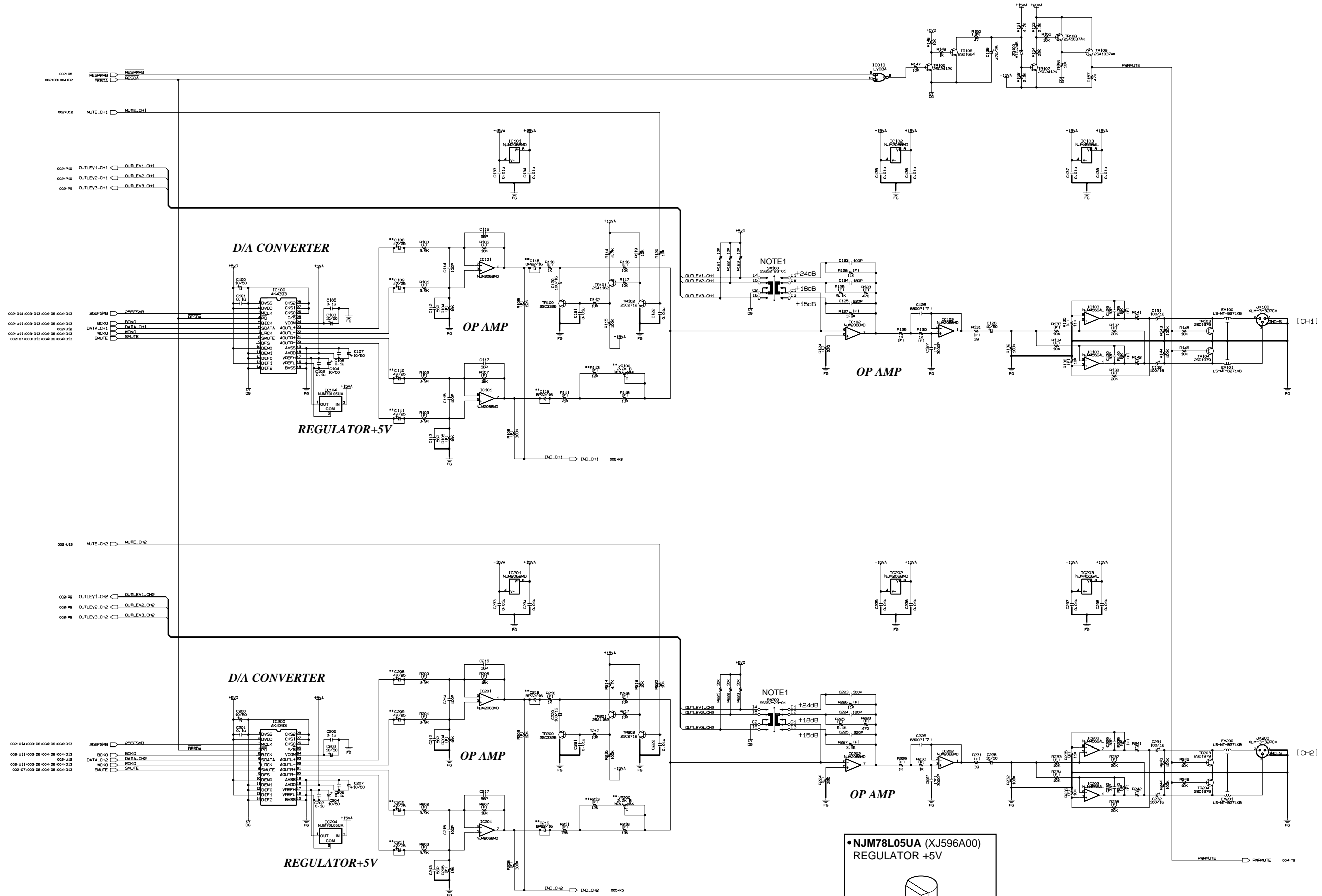
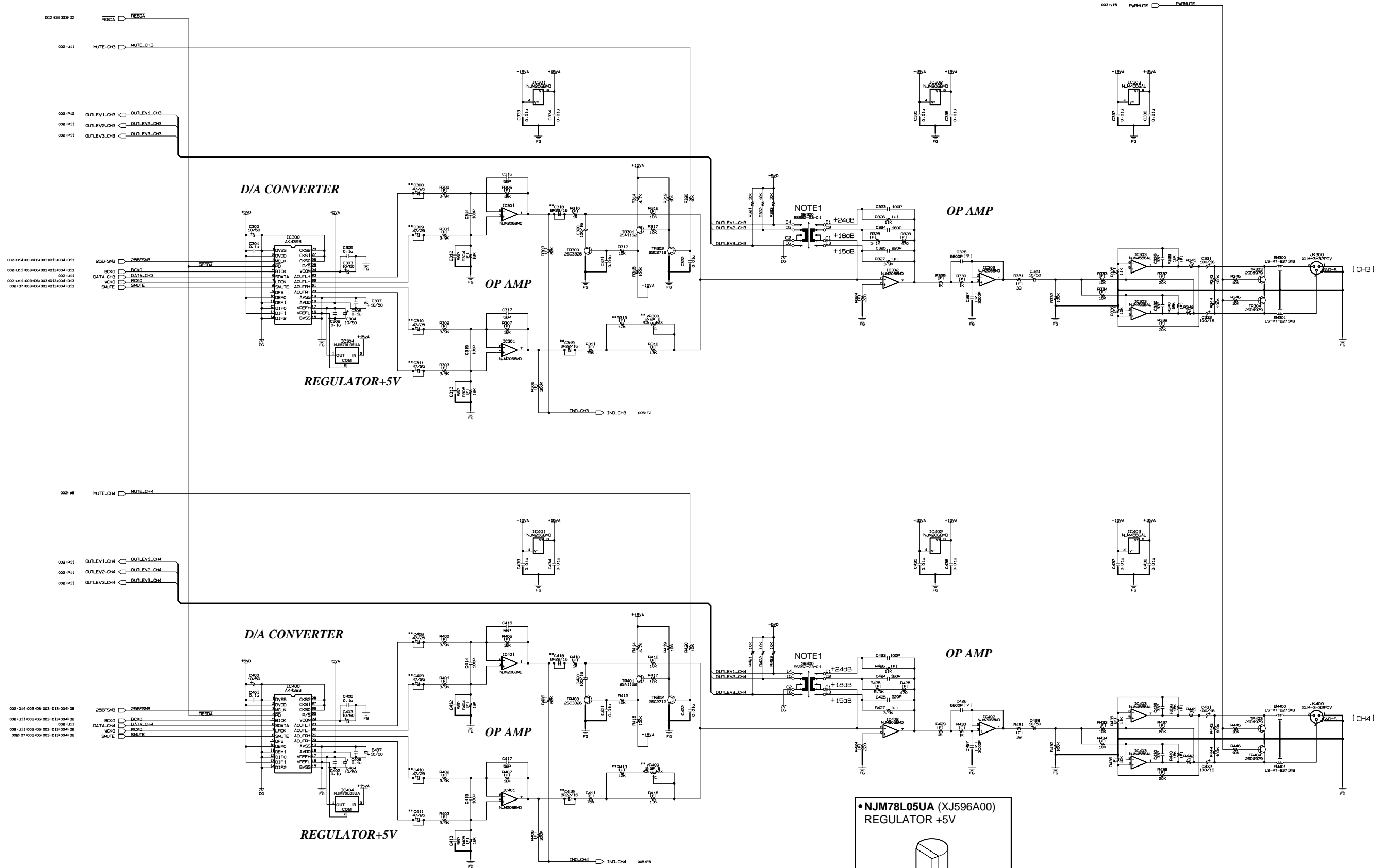


Parts inside of [] are not installed.
 NOTE1: Ex-factory switch setting is made on the +24 dB SIDE.
 NOTE2: ** are not installed.
 (F): Metal Film Resistor
 (1P): Metal Oxide Film Resistor
 BP: BP Capacitor
 (M): Mylar Capacitor



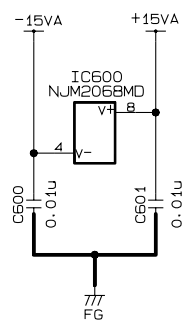
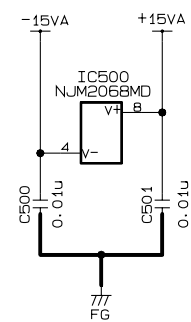
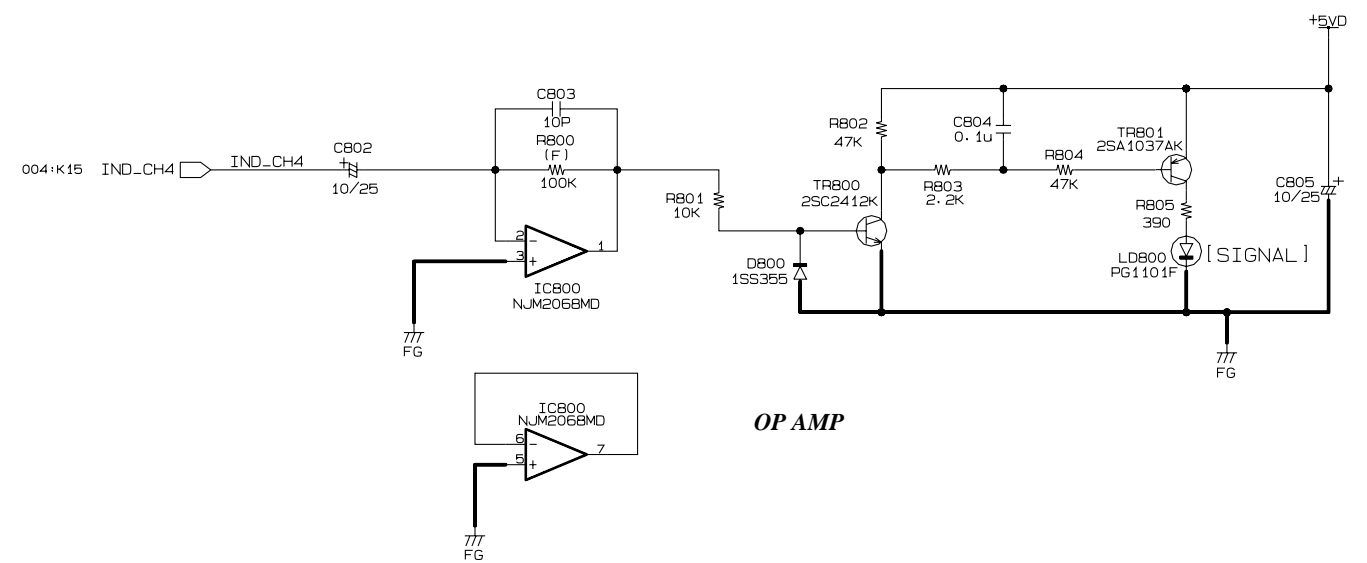
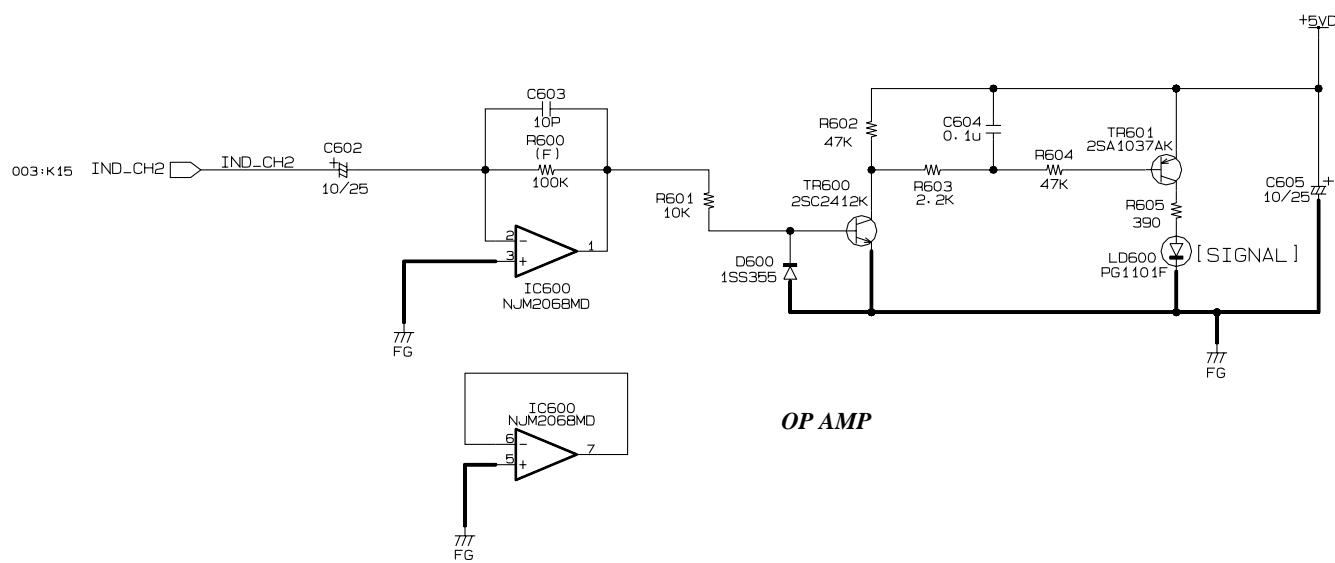
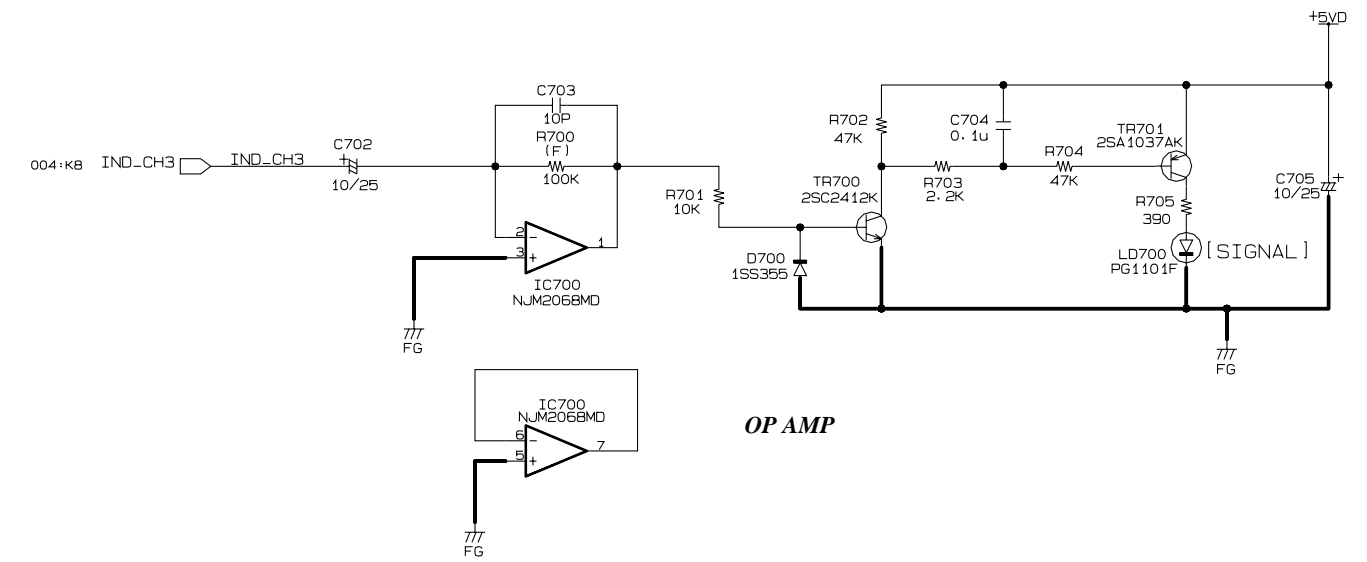
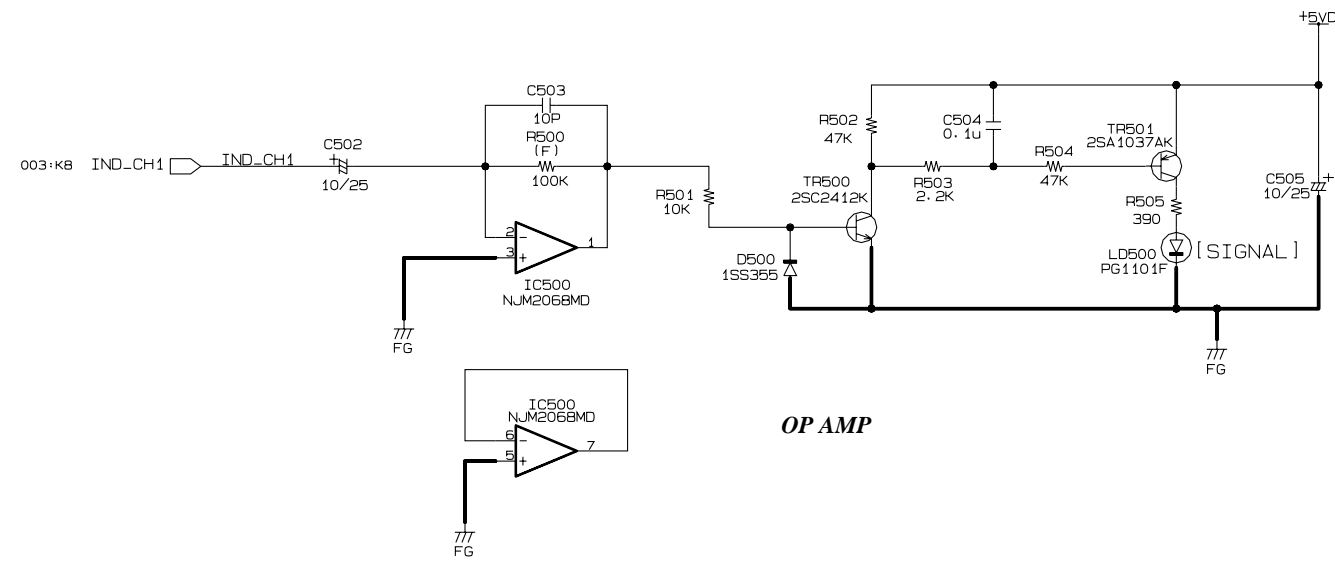
• NJM78L05UA (XJ596A00)
REGULATOR +5V

1: OUTPUT
2: GND
3: INPUT



DA CIRCUIT DIAGRAM 005 (LMY4-DA)

LMY4-DA



OP AMP

