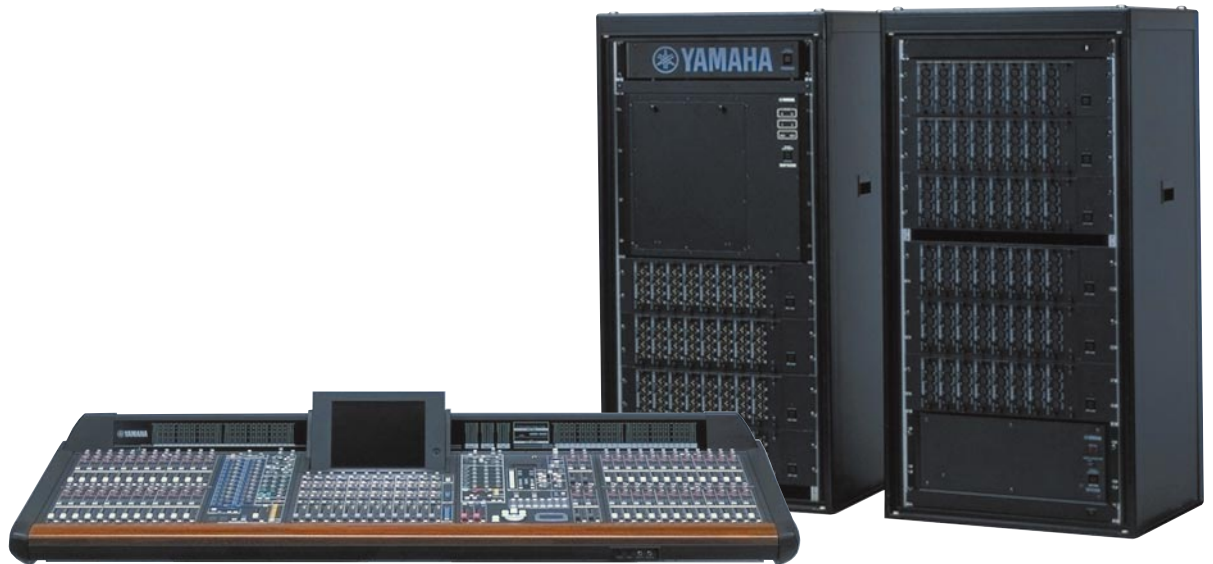


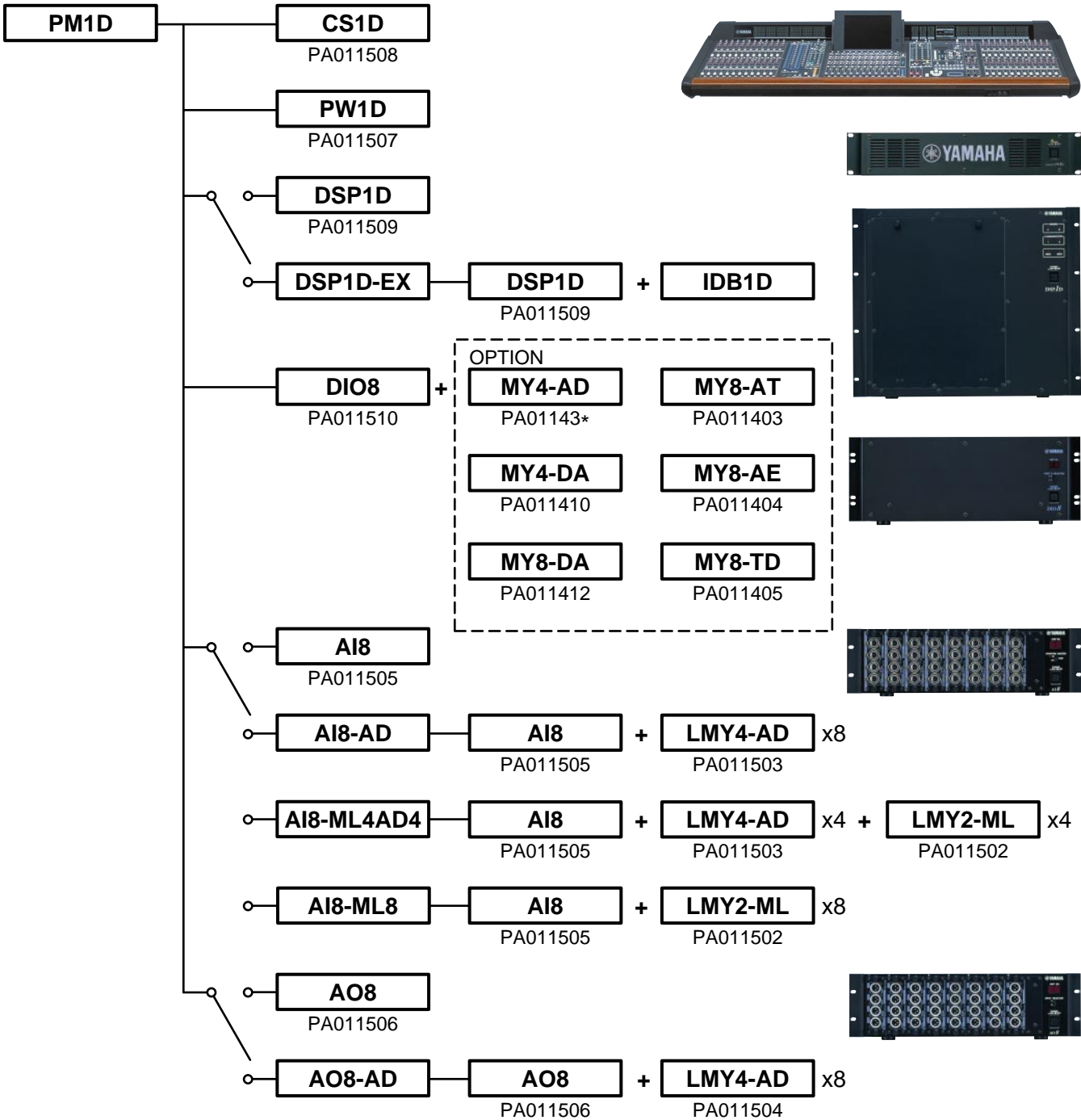
DIGITAL AUDIO MIXING SYSTEM **PM1D**

SERVICE MANUAL



- ANALOG INPUT BOX **AI8**
- ANALOG OUTPUT BOX **AO8**
- CONTROL SURFACE **CS1D**
- DIGITAL IO UNIT **DIO8**
- DSP UNIT **DSP1D** (DSP1D-EX)
- POWER SUPPLY UNIT **PW1D**
- MIC/LINE INPUT CARD **LMY2-ML**
- AD CARD **LMY4-AD**
- DA CARD **LMY4-DA**

PM1D SYSTEM



OPTION BOARD/MODULE

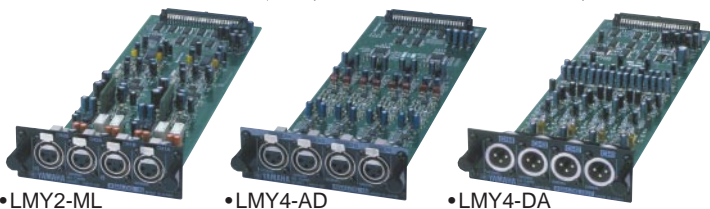
Input DSP Board	IDB1D
Console Interface Board	CIB1D
Effect DSP Board	EDB1D
Engine Management Board	EMB1D
Group DSP Board	GDB1D
Patch DSP Board	PDB1D
Monaural Input Module	MIM1D

OPTION CABLE

Control Cable	CC200	Digital Audio Cable	CA200
Control Cable	CC100	Digital Audio Cable	CA100
Control Cable	CC050	Digital Audio Cable	CA050
Control Cable	CC010	Digital Audio Cable	CA010
		Digital Audio Cable	CA003
		(DSP1D-AI8, AO8, DIO8, CS1D)	

BUCKUP KIT

(IDB1Dx1, CIB1Dx1, EDB1Dx1, GDB1Dx1, PDB1Dx1)



•LMY2-ML

•LMY4-AD

•LMY4-DA