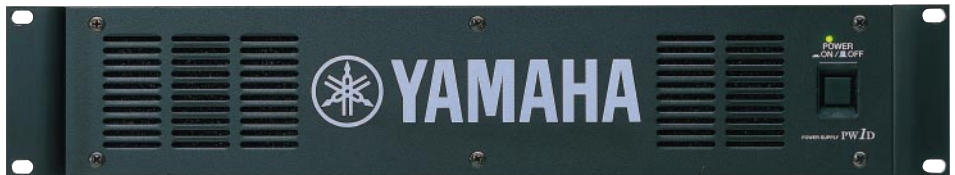


POWER SUPPLY PW1D SERVICE MANUAL



■ CONTENTS

SPECIFICATIONS	3
PANEL LAYOUT	3
CONNECTOR CIRCUIT DIAGRAM	4
DISASSEMBLY PROCEDURE	5
CIRCUIT BOARD	6
PARTS LIST	
CIRCUIT DIAGRAM	

IMPORTANT NOTICE

This manual has been provided for the use of authorized Yamaha Retailers and their service personnel. It has been assumed that basic service procedures inherent to the industry, and more specifically Yamaha Products, are already known and understood by the users, and have therefore not been restated.

WARNING: Failure to follow appropriate service and safety procedures when servicing this product may result in personal injury, destruction of expensive components and failure of the product to perform as specified. For these reasons, we advise all Yamaha product owners that all service required should be performed by an authorized Yamaha Retailer or the appointed service representative.

IMPORTANT: This presentation or sale of this manual to any individual or firm does not constitute authorization, certification, recognition of any applicable technical capabilities, or establish a principal-agent relationship of any form.

The data provided is believed to be accurate and applicable to the unit(s) indicated on the cover. The research engineering, and service departments of Yamaha are continually striving to improve Yamaha products. Modifications are, therefore, inevitable and changes in specification are subject to change without notice or obligation to retrofit. Should any discrepancy appear to exist, please contact the distributor's Service Division.

WARNING: Static discharges can destroy expensive components. Discharge any static electricity your body may have accumulated by grounding yourself to the ground bus in the unit (heavy gauge black wires connect to this bus).

IMPORTANT: Turn the unit OFF during disassembly and parts replacement. Recheck all work before you apply power to the unit.

WARNING: CHEMICAL CONTENT NOTICE!

The solder used in the production of this product contains LEAD. In addition, other electrical/electronic and/or plastic (where applicable) components may also contain traces of chemicals found by the California Health and Welfare Agency (and possibly other entities) to cause cancer and/or birth defects or other reproductive harm.

DO NOT PLACE SOLDER, ELECTRICAL/ELECTRONIC OR PLASTIC COMPONENTS IN YOUR MOUTH FOR ANY REASON WHAT SO EVER!

Avoid prolonged, unprotected contact between solder and your skin! When soldering, do not inhale solder fumes or expose eyes to solder/flux vapor!

If you come in contact with solder or components located inside the enclosure of this product, wash your hands before handling food.

IMPORTANT NOTICE FOR THE UNITED KINGDOM**Connecting the Plug and Cord**

IMPORTANT. The wires in this main lead are coloured in accordance with the following code:

BLUE: NEUTRAL
BROWN: LIVE


As the colours of the wires in the main lead of this apparatus may not correspond with the coloured markings identifying the terminals in your plug, proceed as follows:

The BLUE wire must be connected to the terminal that is marked with the letter N (or coloured BLACK).

The BROWN wire must be connected to the terminal that is marked with the letter L (or coloured RED).

Be certain that neither core is connected to the earth terminal of the three pin plug.

■ WARNING

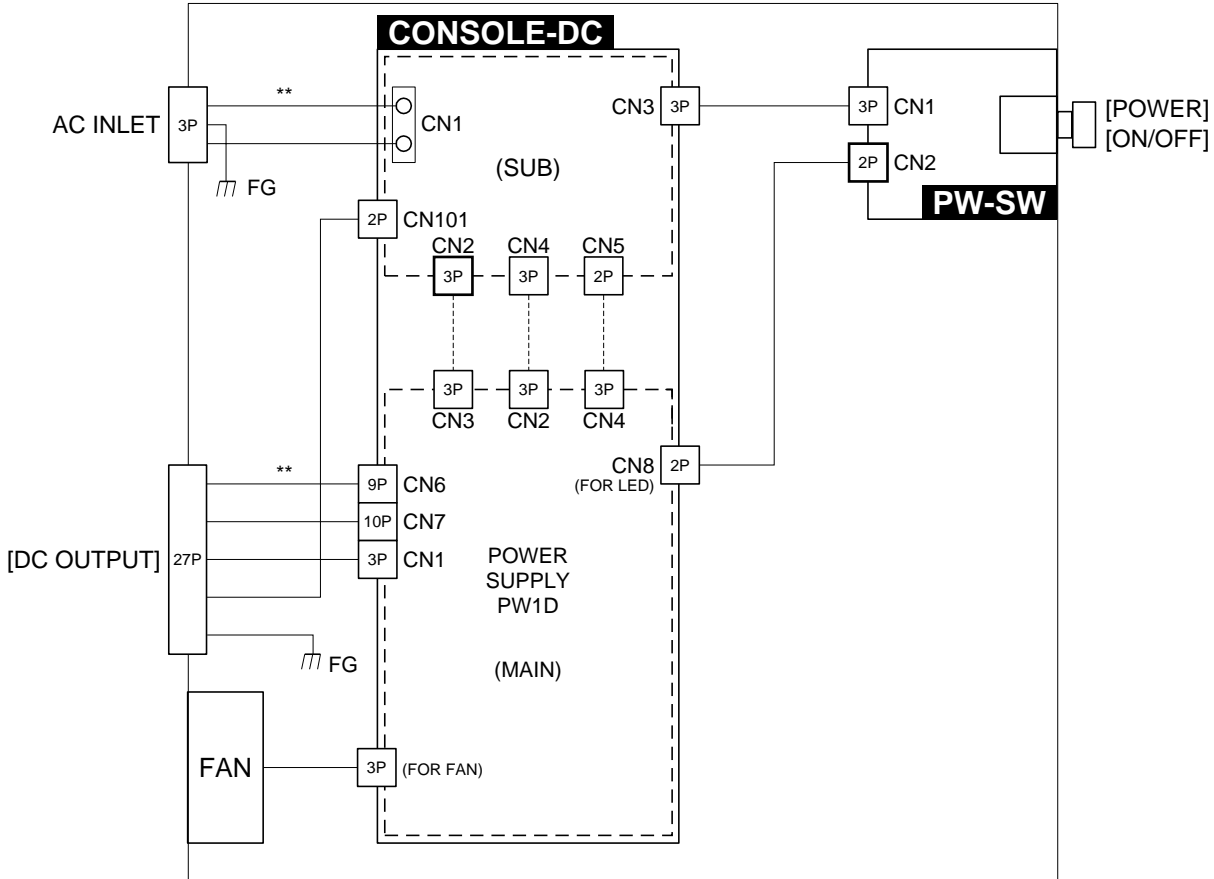
Components having special characteristics are marked  and must be replaced with parts having specification equal to those originally installed.

■ SPECIFICATIONS

■ PANEL LAYOUT

Note: See operation manual for details.

CONNECTOR CIRCUIT DIAGRAM

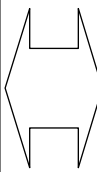


Circuit Board	CN No.	Pin No.
AC INLET		L
		N



Circuit Board	CN No.	Pin No.
POWER SUPPLY PW1D (SUB)	CN1	1
		2

DC OUTPUT	Pin No.
	1
	2
	4
	5
	6
	7
	8
	9
	10
	11
	12
	13
	14
	15
	16
	17
	18
	19
	20
	22
	23
	24
	26
	27
	3

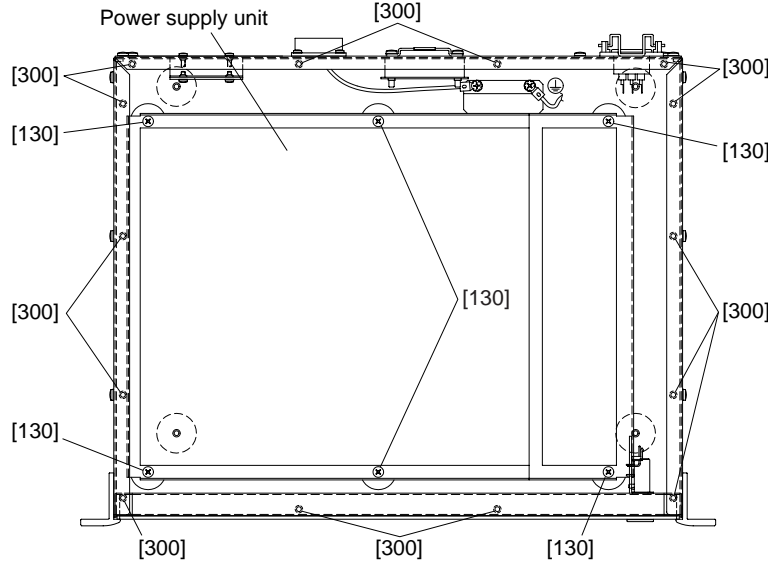


POWER SUPPLY PW1D (MAIN)	CN No.	Pin No.
POWER SUPPLY PW1D (MAIN)	CN6	1
		2
		3
		4
		5
		6
		7
		8
		9
POWER SUPPLY PW1D (MAIN)	CN7	1
		2
		3
		4
		5
		6
		7
		8
		9
		10
POWER SUPPLY PW1D (MAIN)	CN1	1
		2
		3
POWER SUPPLY PW1D (SUB)	CN101	1
		2
		FG

DISASSEMBLY PROCEDURE

1. Power Supply Unit

- 1-1 Remove the fourteen (14) screws marked [300]. The top cover can then be removed. (Fig. 1)
- 1-2 Remove the six (6) screws marked [130]. The power supply unit can then be removed. (Fig. 1)



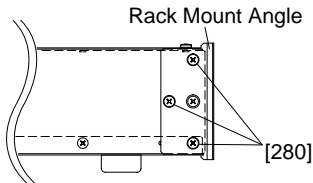
[130]: Bind Head Tapping Screw-B A4.0x8 MFZN2BL (VC688800)
 [300]: Bind Head Tapping Screw-B A4.0x8 MFZN2BL (VC688800)

Fig. 1

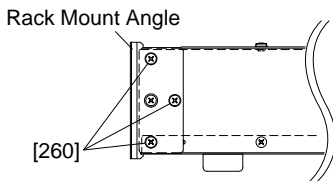
2. PW-SW Circuit Board

- 2-1 Remove the three (3) screws marked [260] and the three (3) screws marked [280]. Each rack mount angle can then be removed. (Fig.2)
- 2-2 Remove the six (6) screws marked [170]. The front panel can then be removed. (Fig. 2)
- 2-3 Remove the two (2) screws marked [260]. The PW-SW circuit board can then be removed. (Fig. 2)

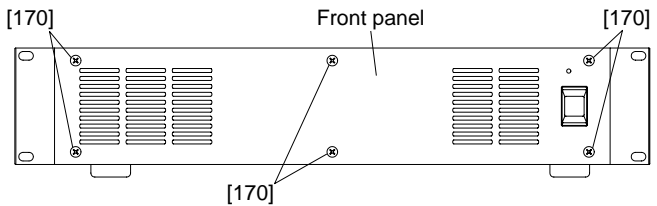
• Left side



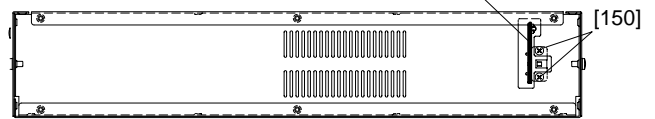
• Right side



<Front View>



PW-SW



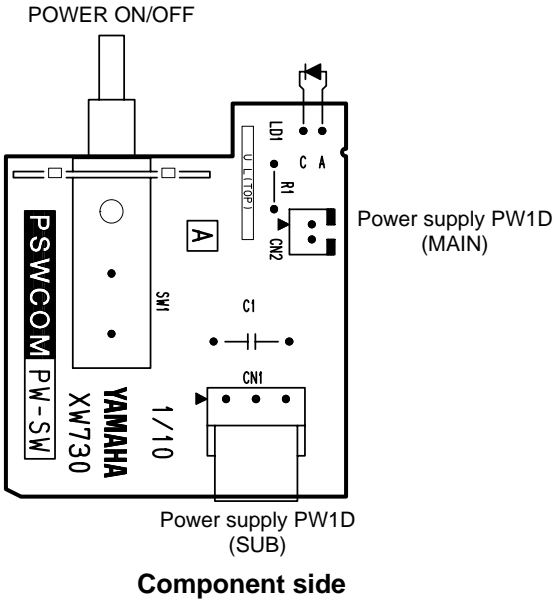
[150]: Bind Head Screw 3.0x8 MFZN2BL (VB659000)
 [170]: Oval Head Screw-B 4.0x8 MFZN2BL (VS153600)

[260]: Oval Head Screw-B 4.0x8 MFZN2BL (VS153600)
 [280]: Oval Head Screw-B 4.0x8 MFZN2BL (VS153600)

Fig. 2

■ CIRCUIT BOARD

● PW-SW Circuit Board



Note: See parts list for details of circuit board component parts.

POWER SUPPLY

PWLD

PARTS LIST


■ CONTENTS

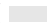
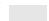
OVERALL ASSEMBLY.....	2
ELECTRICAL PARTS	4

Notes : DESTINATION ABBREVIATIONS

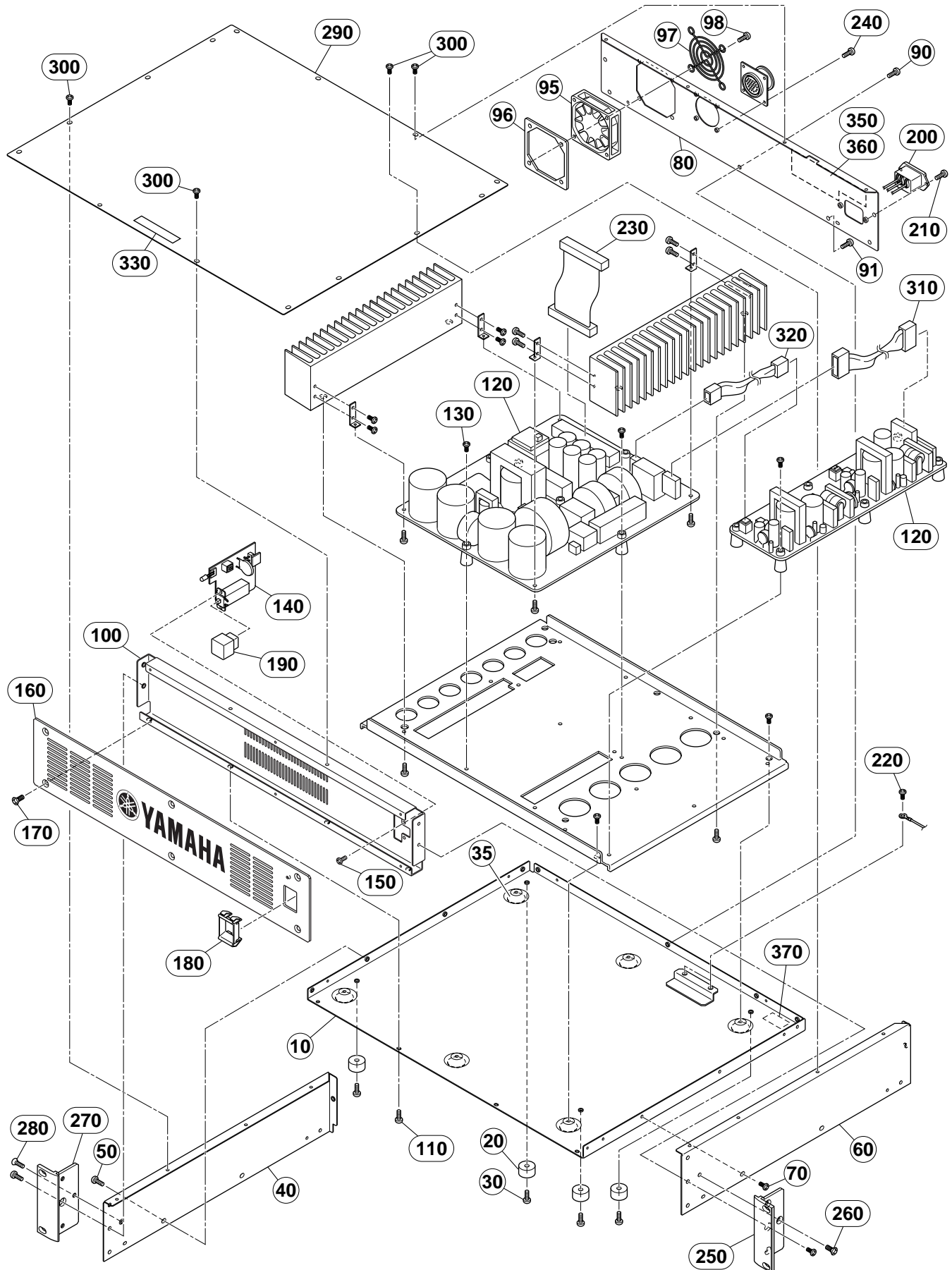
A: Australian model	M: South African model
B: British model	O: Chinese model
C: Canadian model	Q: South-east Asia model
D: German model	T: Taiwan model
E: European model	U: U.S.A. model
F: French model	V: General export model (110 V)
H: North European model	W: General export model (220 V)
I : Indonesian model	N,X: General export model
J : Japanese model	Y: Export model

■ WARNING

Components having special characteristics are marked  and must be replaced with parts having specification equal to those originally installed.

- The numbers in “ QTY ” show quantities for each unit.
- The parts with “ - - ” in “ PART NO. ” are not available as spare parts.
- The mark “ } ” in the remarks column indicates that these parts are interchangeable.
- The second letter of the shaded () part number is O, not zero.
- The second letter of the shaded () part number is I, not one.

OVERALL ASSEMBLY



REF.NO.	PART NO.	DESCRIPTION		REMARKS	QTY	RANK
		OVERALL ASSEMBLY		PW1D		
	--	Overall Assembly		J (V470350)		
	--	Overall Assembly		U,C,V (V539350)		
	--	Overall Assembly		H,B,W (V539360)		
* 10	V4586900	Bottom Chassis				
20	CB806590	Leg	BL		4	03
30	EG340190	Bind Head Tapping Screw-B	4.0X8 MFZN2BL		4	01
* 35	V5297200	PET Sheet			6	
* 40	V4605100	Side Panel	LEFT			
50	VC688800	Bind Head Tapping Screw-B	A4.0X8 MFZN2BL		3	01
* 60	V4068400	Side Panel	RIGHT			
70	VC688800	Bind Head Tapping Screw-B	A4.0X8 MFZN2BL		3	01
* 80	V4587400	Rear Panel				
90	VC688800	Bind Head Tapping Screw-B	A4.0X8 MFZN2BL		5	01
91	VP156800	Bind Head Screw	A4.0X8 MFZN2BL			01
95	V3125300	Fan	MMS-06E12DL			08
96	VN003900	Finger Guard				
97	VM964700	Fan Support Metal				09
98	VR116500	Pan Head Screw	SP 4.0X25 MFZN2BL		4	01
* 100	V4587900	Sub Chassis				
110	VC688800	Bind Head Tapping Screw-B	A4.0X8 MFZN2BL		6	01
* 120	V4704700	Power Supply Unit		J		
* 120	V5390500	Power Supply Unit		U,C,V		
* 120	V5390700	Power Supply Unit		H,B,W		
130	VC688800	Bind Head Tapping Screw-B	A4.0X8 MFZN2BL		6	01
* 140	V4564700	Circuit Board	PW-SW (PSWCOM)			
150	VB659000	Bind Head Screw	3.0X8 MFZN2BL		2	01
* 160	V4587100	Front Panel				
170	VS153600	Oval Head Screw	4.0X8 MFZN2BL		6	01
180	VL813000	Escutcheon, Power Switch				03
190	VL812900	Power Switch Knob		POWER ON/OFF		03
200	--	AC Inlet Assembly	AC INLET&FASTON	(V539260)		
* 200a	V5065200	AC Inlet	M1908-C 3P			03
210	V5600300	Support				
220	VP156800	Bind Head Screw	A4.0X8 MFZN2BL		2	01
* 230	V5054900	Connector Assembly	VH&PH&NK 120L #20	DC OUTPUT		
240	VP157000	Bind Head Tapping Screw-B	A3.0X8 MFZN2BL		4	01
* 250	V4705100	Rack Mount Angle				
260	VS153600	Oval Head Screw	4.0X8 MFZN2BL		3	01
* 270	V4705100	Rack Mount Angle				
280	VS153600	Oval Head Screw	4.0X8 MFZN2BL		3	01
* 290	V4588000	Top Cover				
300	VC688800	Bind Head Tapping Screw-B	A4.0X8 MFZN2BL		14	01
310	--	Connector Assembly	VH&VH 3P 350L #20	(V505500)		
320	--	Connector Assembly	PH&PH 2P 650L #28	(V477420)		
330	--	Label, Caution		(V533510)		
340	CB817510	Cord Binder	S-14B		3	03
350	--	Label		J (V533540)		
350	--	Label		H,B,W (V539490)		
360	--	Label	UL	U,C,V (V570430)		
370	--	Label		U,C,V (VA03930)		
380	CB095100	Cord Holder			6	
		ACCESSORIES				
* 390	V5800000	AC Cord	2P 15A	J		
* 400	V5068000	AC Cord	3P 13A	U,C,V		
* 410	V5067700	AC Cord	3P 10A	H,W		
* 420	VP204400	AC Cord	3P	B		10
* 430	V5525000	DC Power Supply Cable	UL2501 #20X27			
* 440	V5600500	Cable Lock		J,U,C,V		
* 450	V5600800	Cable Lock		H,W,B		

*: New Parts

RANK: Japan only

ELECTRICAL PARTS

REF NO.	PART NO.	DESCRIPTION		REMARKS	QTY	RANK
*	V4564700	ELECTRICAL PARTS Circuit Board	PW-SW (PSWCOM)	PW1D (XW730A0)		
*	V4564700	Circuit Board	PW-SW (PSWCOM)	(XW730A0)		
*	V4588100	Spacer				
C1	V3311600	Capacitor-KH	0.010 250V J.U.C.S			01
CN1	LB933030	Base Post Connector	VH 3P SE			01
CN2	VB389800	Connector Base Post	PH 2P TE			01
LD1	VR080300	LED	SLR-342MG3F	POWER indicator		01
SW1	V3127000	Push Switch	ESB92S23B J.U.C.S	POWER ON/OFF		02
	HF455680	Carbon Resistor	680.0 1/4 J			01
	V3125300	Fan	MMS-06E12DL			08
*	V4704700	Power Supply Unit		J		
*	V5390500	Power Supply Unit		U,V		
*	V5390700	Power Supply Unit		H,B,W		
*	V5065200	AC Inlet	M1908-C 3P			03
*	V5054900	Connector Assembly	VH&PH&NK 120L #20	DC OUTPUT		

*: New Parts

RANK: Japan only

POWER SUPPLY


PWLD

CIRCUIT DIAGRAM

■ CONTENTS

PSWCOM	3
CONSOLE-DC	4

■ WARNING

Components having special characteristics are marked  and must be replaced with parts having specification equal to those originally installed.

PSWCOM CIRCUIT DIAGRAM (PW1D)

PW1D

1

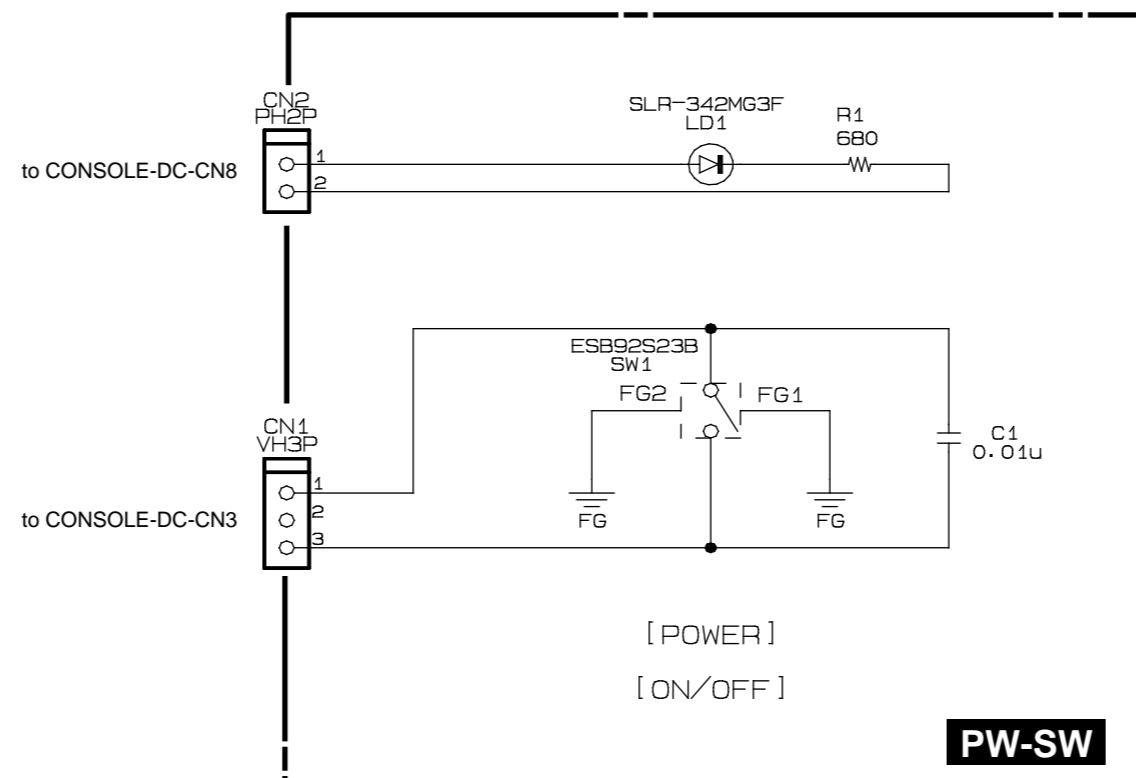
2

3

4

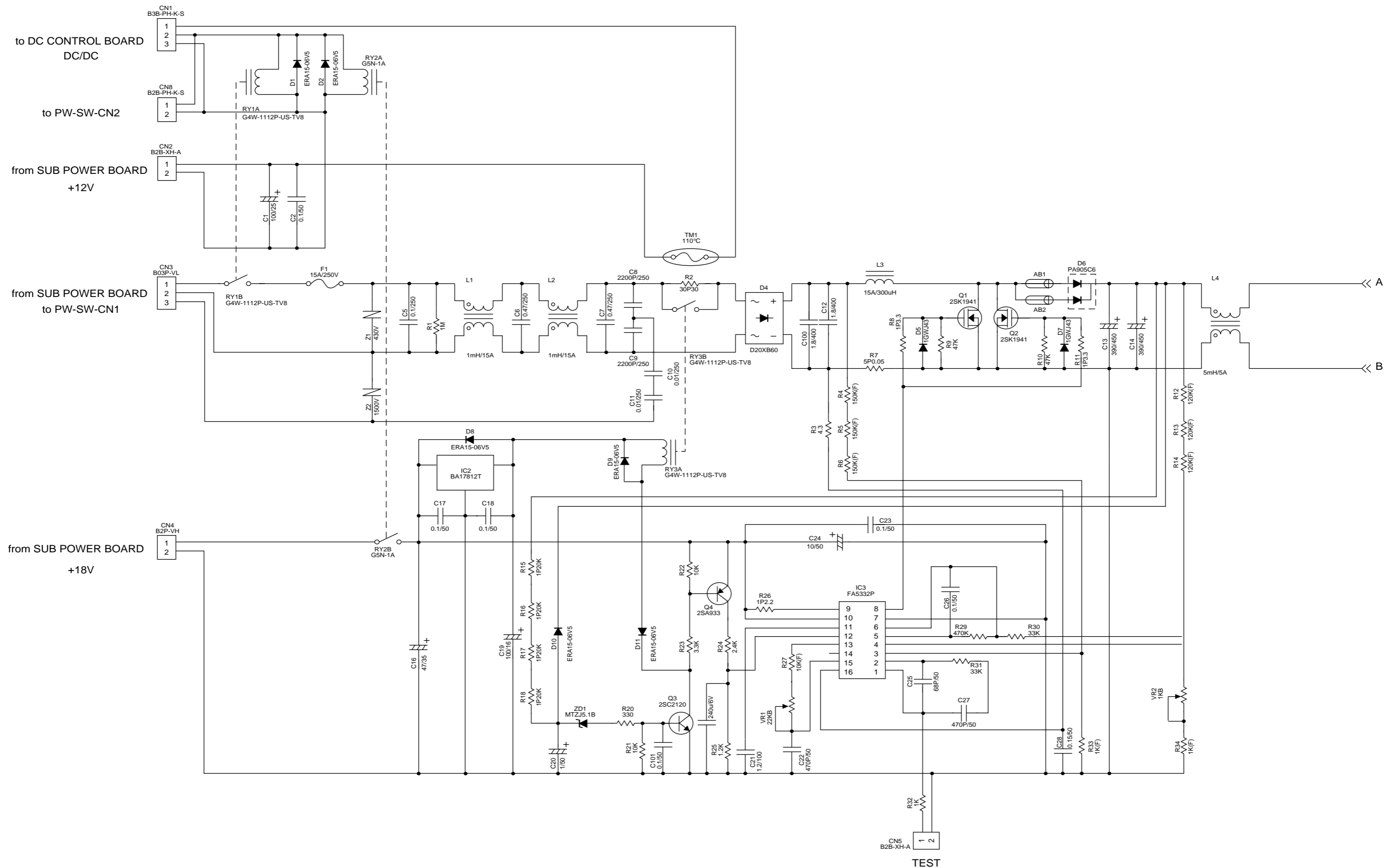
5

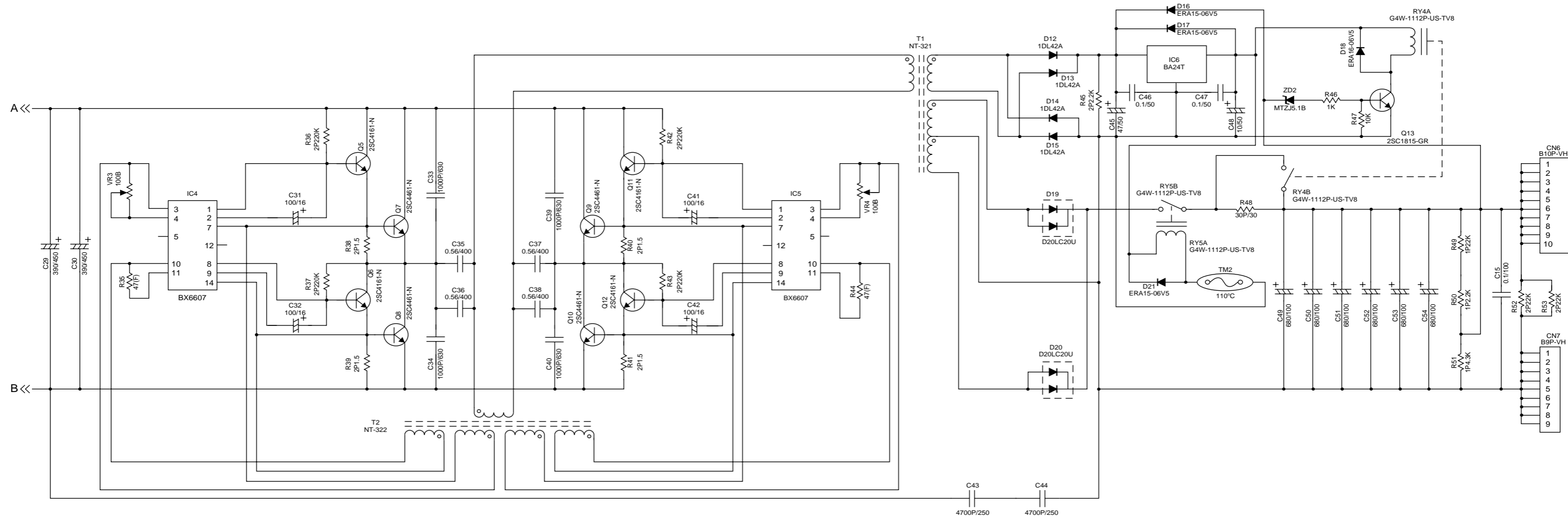
6



CONSOLE-DC CIRCUIT DIAGRAM 1/3 (PW1D)

PW1D





CONSOLE-DC CIRCUIT DIAGRAM 3/3 (PW1D)

PW1D

