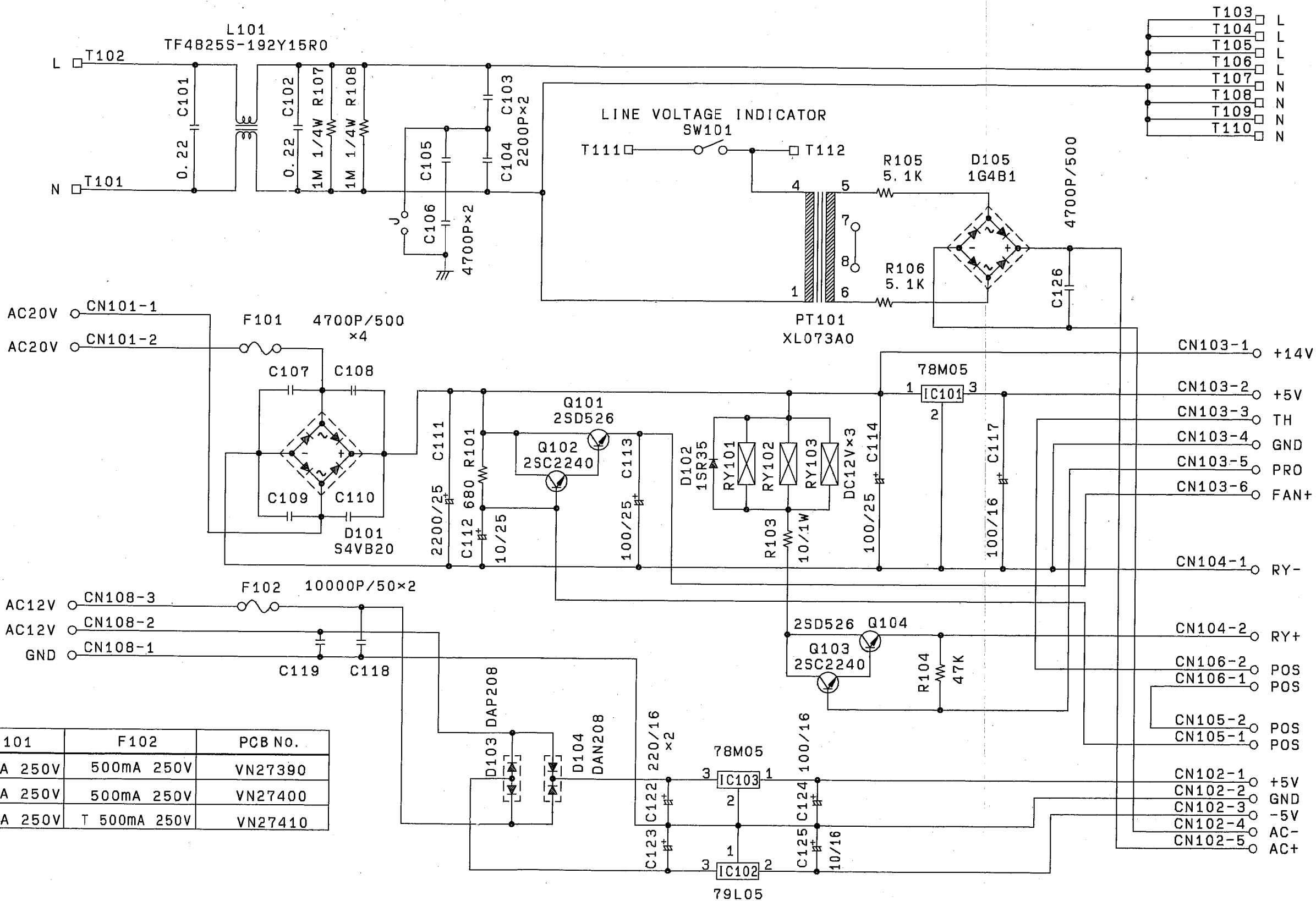


AC CIRCUIT DIAGRAM

PM4000/PW4000



NOTE 1)

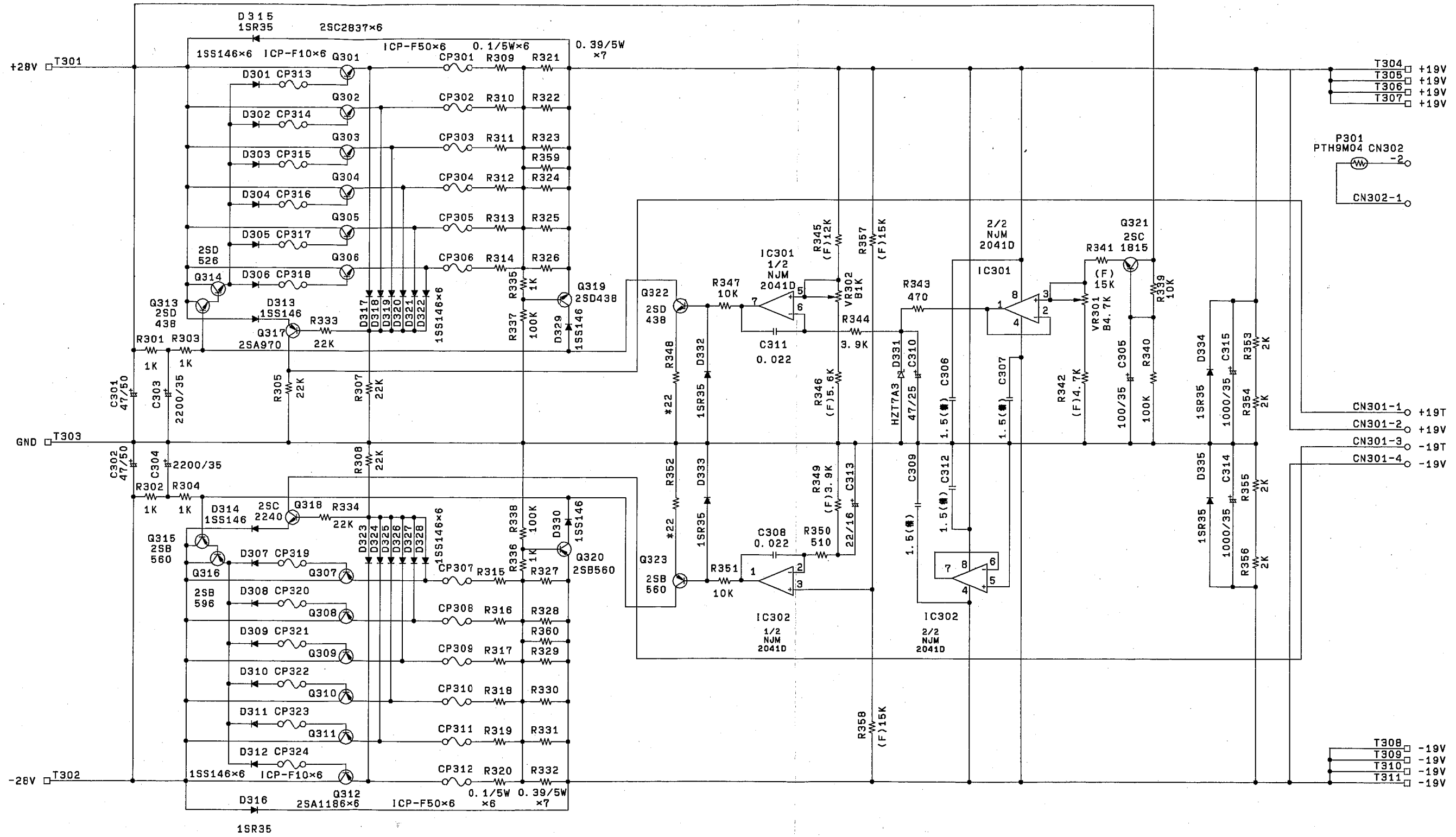
	F101	F102	PCB No.
J	3A 250V	500mA 250V	VN27390
U. C	3A 250V	500mA 250V	VN27400
H. B	T 3.15A 250V	T 500mA 250V	VN27410

NOTE 2)

/1W : Metal oxide film resistor

KEC-91901

# DC1 CIRCUIT DIAGRAM



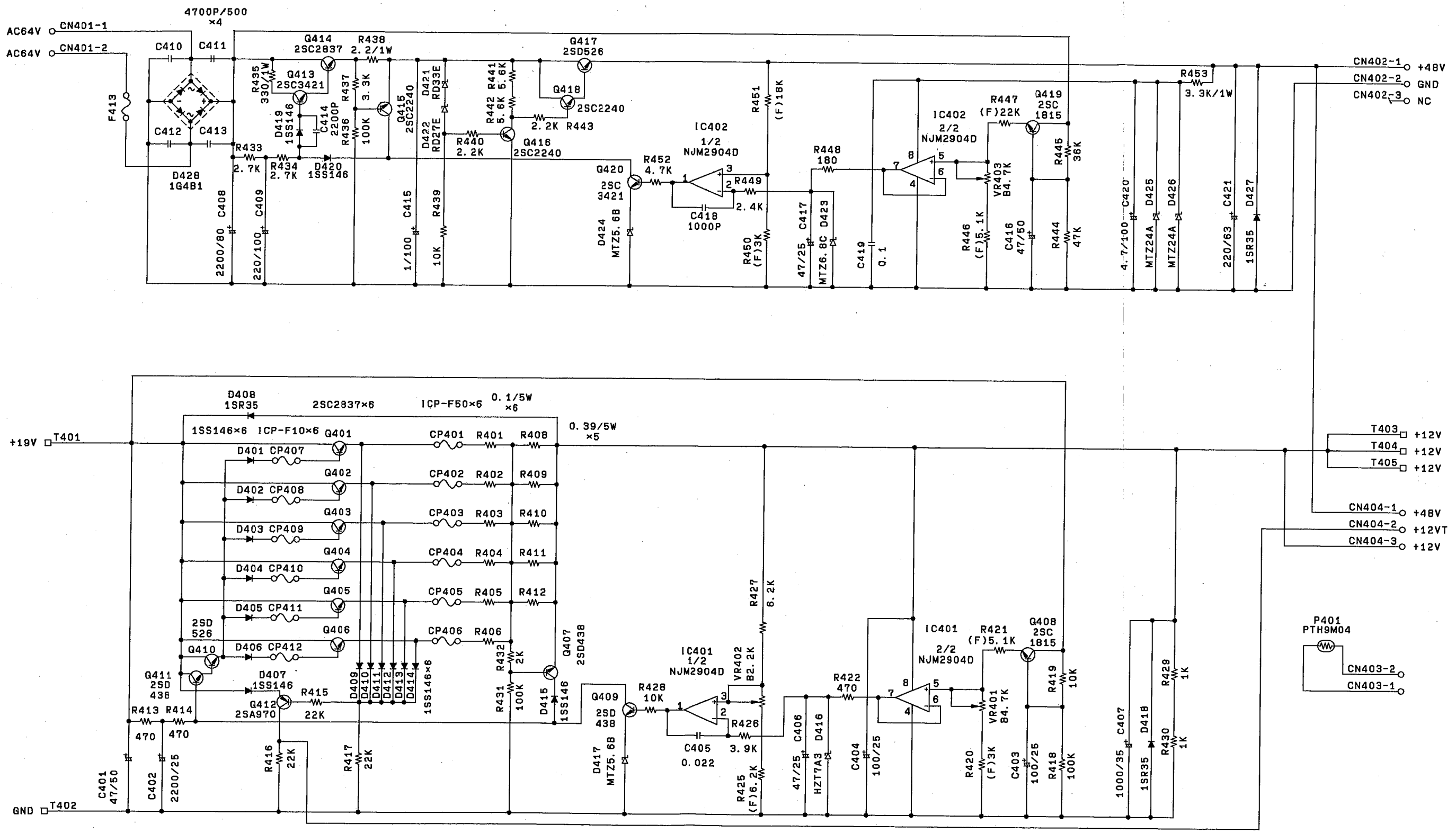
NOTE 1)  $\Delta$  (積) : Monolithic ceramic cap.  
 C308, 312 : Ceramic cap.

NOTE 2) \* : Flame proof carbon resistor  
 (F) : Metal film resistor  
 /5W : wire wound resistor

KEC-91902  $\Delta$

# DC1 CIRCUIT DIAGRAM

DC2 CIRCUIT DIAGRAM



NOTE 1)

	J	U. C	H. B
F413	▽ 2A 250V	Ⓛ 2A 250V	Ⓢ T 2A 250V
PCB	VN27370	VN36600	VN27380

NOTE 2)

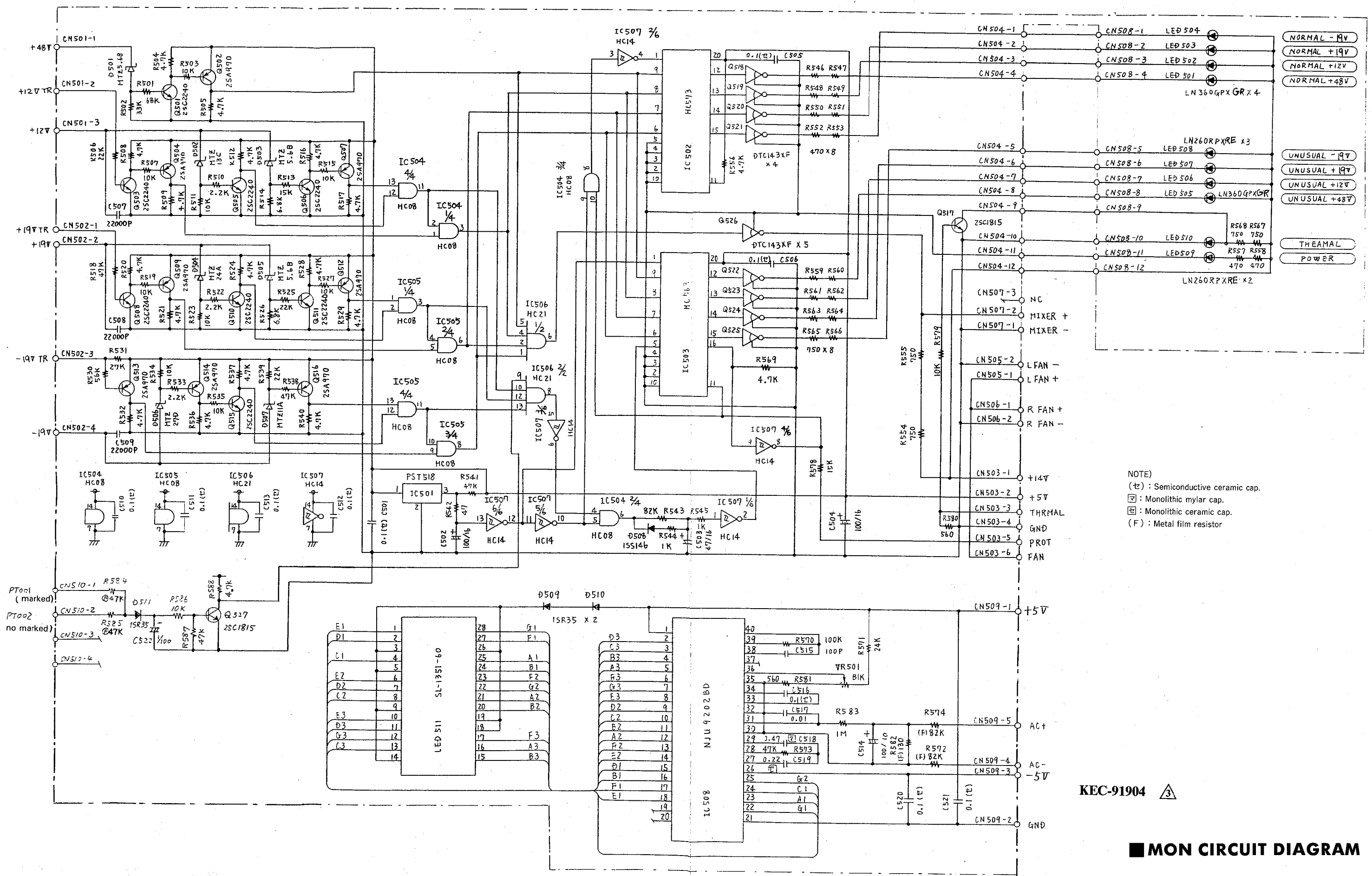
(F) : Metal film resistor  
 /5W : wire wound resistor  
 /1W : Metal film resistor

NOTE 3)

(ε) : Semiconductive ceramic cap.  
 C405 : Ceramic cap.

KEC-91903

# MON CIRCUIT DIAGRAM



NOTE  
 (C) : Semiconductive ceramic cap.  
 (M) : Monolithic mylar cap.  
 (F) : Monolithic ceramic cap.  
 (F) : Metal film resistor

KEC-91904  $\Delta$

# MON CIRCUIT DIAGRAM