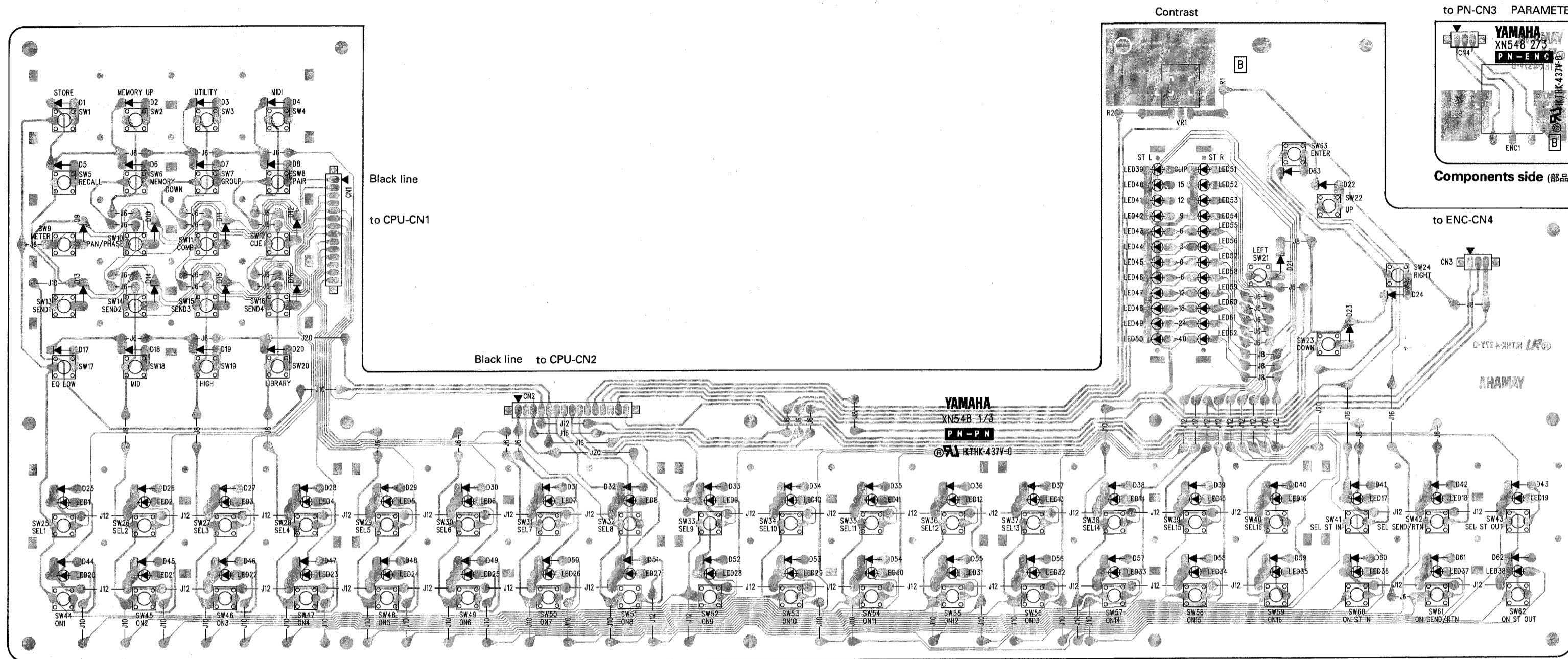


• PN Circuit Board (PNシート)

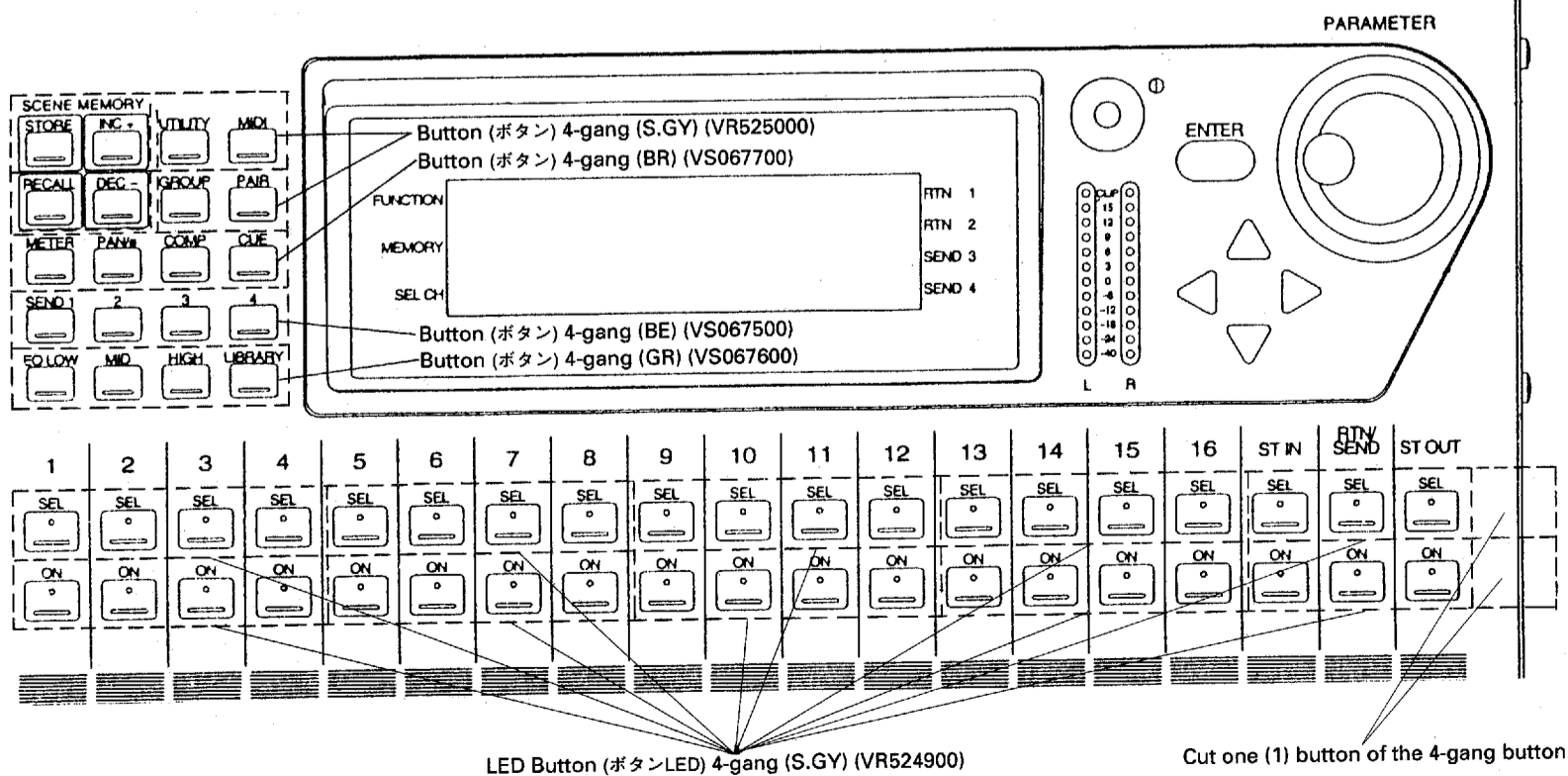


• ENC Circuit Board (ENCシート)

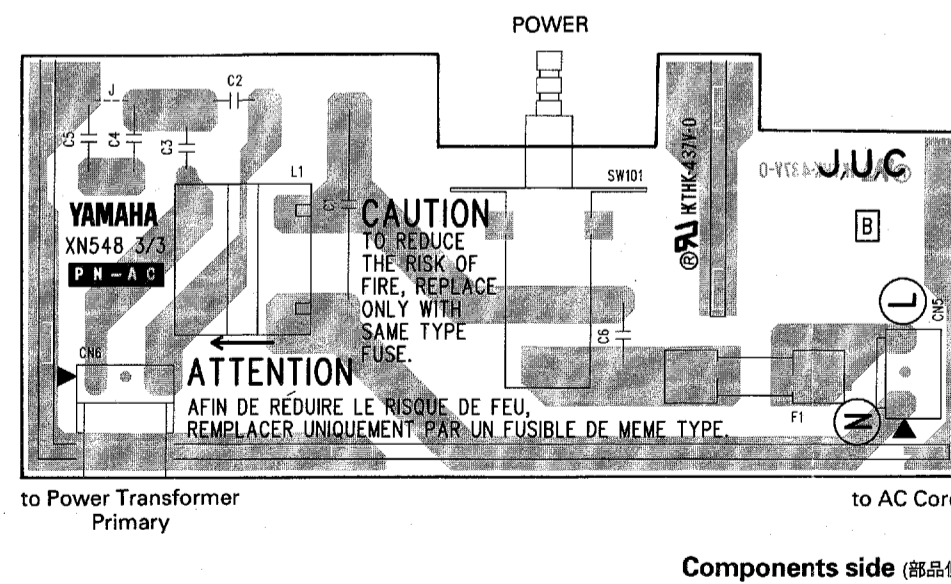
- Notes)
 Circuit Board: PN (VR512300) XN548B0 (J,U,C,V)
 Circuit Board: PN (VS088100) XP432B0 (H,B,W)
1. Carbon Resistor
 R1: 2.4K 1/4 J (HF756240)
 R2: 240.0 1/4 J (HF755240)
 2. Tact Switch
 SW1~63: SKHBE091A (VQ320400)
 3. Diode
 D1~63: 1SS133,1SS176 (VB941200)
 4. LED
 LED1~38: SLR-325VC RE (VS132300) SEL. ON
 LED39,51: LN882RPX OR (VQ735300) L.M. CLIP
 LED40~44: LN482YPX YE (VS184400) L.M. 3~15
 LED45~50, 57~62: LN382GPX GR (VQ917600) L.M. -40~0
 5. Rotary Variable Resistor
 VR1: B1.0K RK09K1130BGD (VQ998200) Contrast
 6. Cable Holder
 CN1: 51048 14P TE (V1879200)
 CN2: 51048 15P TE (V1879300)
 CN3,4: 51048 3P TE (V1878100)
 7. Base Post Connector
 CN5: VH- 3P TE (LB932030)
 CN6: VH- 3P SE (LB933030)
 8. Button LED
 4-gang S.GY (VR524900) SEL. ON
 9. Button
 4-gang S.GY (VR525000) STORE, INT+, UTILITY, MIDI, RECALL, DEC-, GROUP, PAIR
 4-gang BE (VS067500) SEND 1, 2, 3, 4
 4-gang GR (VS067600) LOW, MID, HIGH, LI
 4-gang BR (VS067700) METER, PAN/φ, COMP, CUE
 10. LED Holder
 (VS065900)
 11. Cable
 P=2.0 #26 3P 90L (VS08070)
 P=2.0 #26 14P 280L (VS08130)
 P=2.0 #26 15P 250L (VS08140)

- Notes)
 Circuit Board: ENC (NX814100) XN548B0
1. Encoder
 ENC1: EC16B242040 click (VQ788500)

YAMAHA ProMix 01

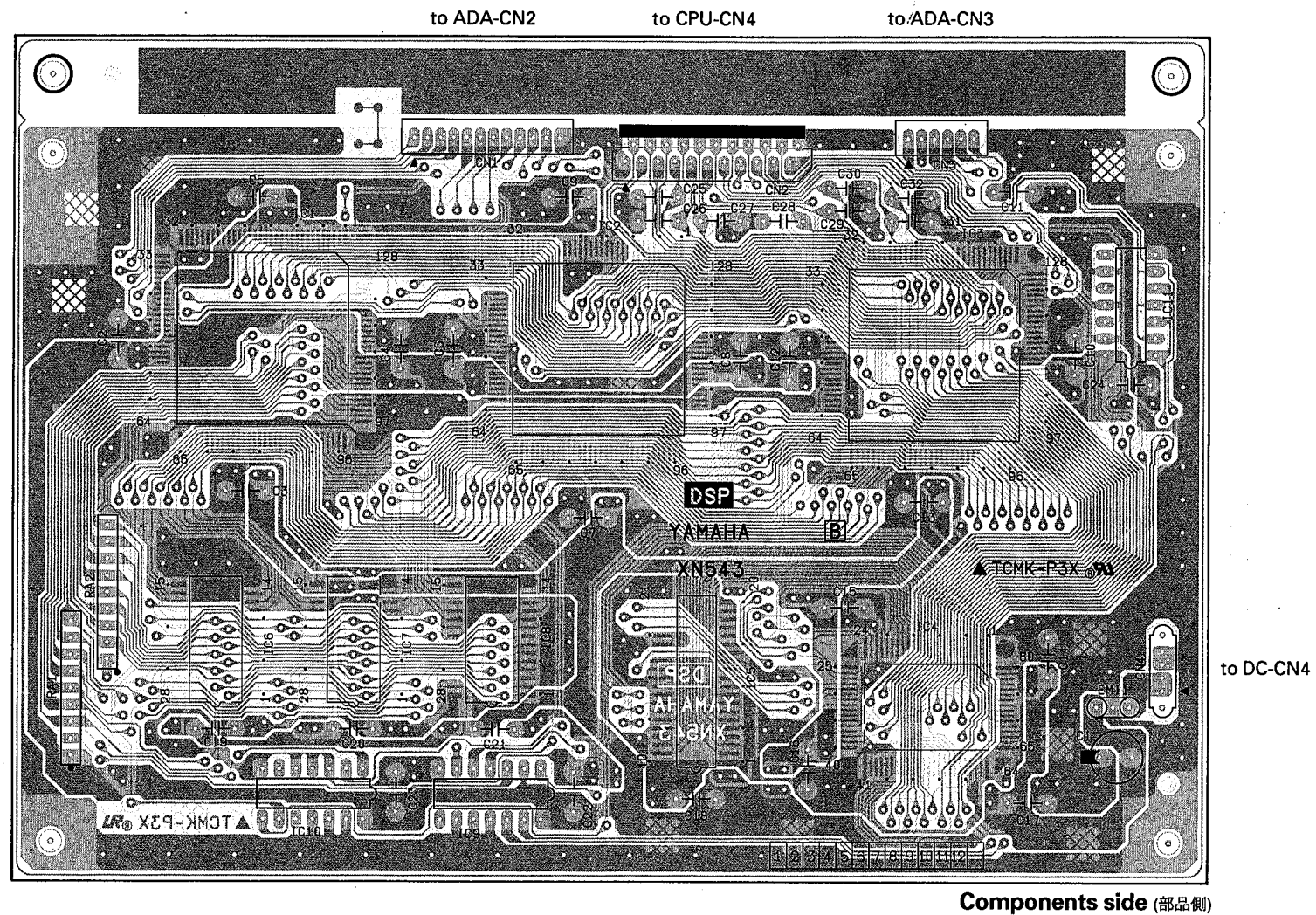


• AC Circuit Board (ACシート)



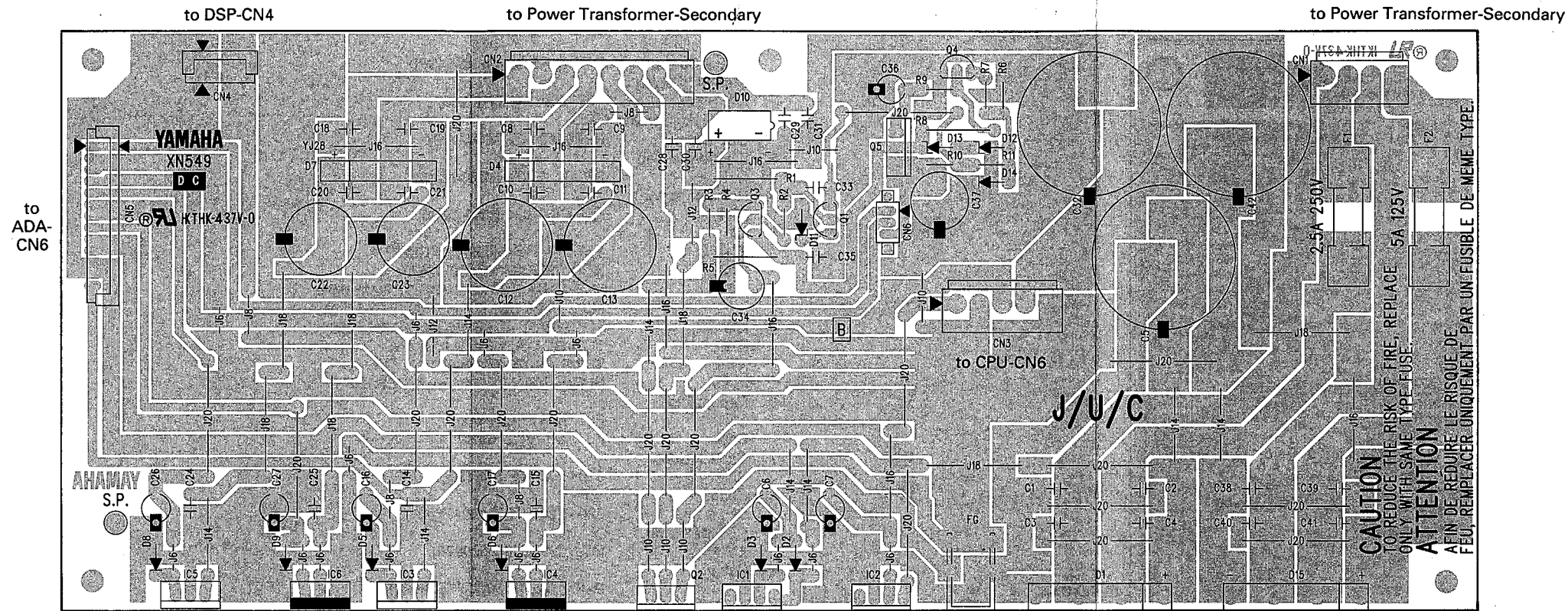
- Notes)
 Circuit Board: AC (VS087800) XN548B0 (J,U,C,V)
 Circuit Board: AC (VS087900) XN548B0 (H,B,W)
1. Capacitor
 C1: 0.220 250V (FR203220)
 C2,3: 2200P 400V (F1383220)
 C4,5: 4700P 400V (F1383470)
 C6: 0.010 400V (F1384100)
 2. Line Filter
 L1: PLAC1522R0R01B1 (VQ784500)
 3. Push Switch
 SW101: ESB82 TV-3 (VQ040100) POWER SW
 4. Fuse
 F1: T 3.0A (KB003590) J.U.C.V
 TL 2.0A (KB003070) H,B,W
 5. Fuse Holder
 PC-FH1 (LB201530)
 6. Shield Plate
 AC (VS066900)

• DSP Circuit Board (DSPシート)



- Notes)
- | | |
|----------------------------|--|
| Circuit Board: | DSP (VR511800) XN543B0 |
| 1. Ceramic Capacitor | |
| C25~32: | 47P 50V J (VD840900) |
| 2. Monolithic Ceramic Cap. | |
| C2~24: | 0.100 50V Z (VI307100) |
| 3. Electrolytic Cap. | |
| C1: | 220.00 16.0V (UJ838220) |
| 4. Resistor Array | |
| RA1,2: | RGLD8X103J (VE445200) |
| 5. IC | |
| IC1~3: | YSS214-F (XM099A00) CDSP |
| IC4: | HD62098 (XM309A00) MEG |
| IC5: | LC321664AJ-80 (XP646A00) DRAM 1M or
M511664A-80J (XP448A00) DRAM 1M |
| IC6~8: | TC51832AFL-70 (XP425A00) PSRAM 256K |
| IC9: | TC74HC11AP (IR001100) AND |
| IC10: | TC74HC4075AP (IR407500) OR |
| IC11: | SN74HC04N (IR000450) INVERTER |
| 6. Receptacle | |
| CN1: | FJ 12P (VK217500) |
| CN3: | FJ 6P (VK216900) |
| 7. Cable Holder | |
| CN4: | 51048 4P TE (VI878200) |
| 8. Connector | |
| CN2: | 52045 22P TE (VQ047700) |
| 9. LC Filter (EMI) | |
| EMI1: | MT Y223NB (FZ006970) |
| 10. Cable | |
| | P=2.0 #26 4P 130L (VS08090) |

● DC Circuit Board (DCシート)



Components side (部品側)

Notes)

- Circuit Board: DC (NX814040) XN549B0 (J,U,C,V)
- Circuit Board: DC (NX814030) XP537B0 (H,B,W)
- 1. Monolithic Mylar Capacitor
 - C14,15,24,25: 0.10 50V J (VE326000)
- 2. Ceramic Capacitor
 - C1~4,8~11,18~21, 28~31,33,35, 38~41: 0.0047 500V M (VS589000)
- 3. Electrolytic Cap.
 - C5: 15000 16.0 V (VJ655800)
 - C6,7,26,27: 47.00 16.0V (UJ837470)
 - C12,13: 2200 35.0V (UJ659220)
 - C16,17: 47.00 25.0V (UJ847470)
 - C22,23: 2200 16.0V (UJ639220)
 - C32: 1000 100.0 (VS150600)
 - C34: 10.0 100.0V (UJ897100)
 - C36: 1.0 100.0V (UJ896100)
 - C37: 47.00 100.0V (UJ697470)
 - C42: 15000 25.0 (VS310900)

- 4. Carbon Resistor
 - R1: 7.5K 1/4 J (HF756750)
 - R2: 22.0K 1/4 J (HF757220)
 - R3: 5.6K 1/4 J (HF756560)
 - R4: 100.0K 1/4 J (HF758100)
 - R6: 10.0K 1/4 J (HF757100)
 - R7,9: 2.2K 1/4 J (HF756220)
 - R10: 47.0K 1/4 J (HF757470)
 - R11: 8.2K 1/4 J (HF756820)
- 5. Metal Oxide Film Resistor
 - R1: 5.6K 1W J (VC736100)
 - R5: 22.0 1W J (VC729200)
 - R8: 12.0K 1W J (VC736900)
- 6. IC
 - IC1: PQ05RF2 (XH672A00) REGULATOR +5V
 - IC2: PQ05RF1 (X1124A00) REGULATOR +5V
 - IC3: UPC2415HF (X1503A00) REGULATOR +15V
 - IC4: UPC7915HF (XE404A00) REGULATOR +15V
 - IC5: UPC2405HF (XK310A00) REGULATOR +5V
 - IC6: UPC7905HF (XN012A00) REGULATOR +5V
- 7. Transistor
 - Q1,3,4: 2SC3200 GR (VS150800) or 2SC2240 GR,BL (IC224030)
 - Q2,5: 2SD2015 (VM923000)

- 8. Diode
 - D14: 1SS133,1SS176 (VB941200)
- 9. Diode Stack
 - D1,15: D3SBA20 4.0A 200V (VN011300)
 - D2,3,5,6,8,9: 1SR139-100A (VH530100) or 11ES4 (VB481900)
 - D4,7: D2SBA20 1.5A 200V (VP344100)
 - D10: S1WB(A)60 1.0A 60 (VB845300)
- 10. Zener Diode
 - D11: MTZJ6.8B 6.8V (VQ553900)
 - D12: MTZJ27D 27.0V (VQ558000)
 - D13: MTZJ33B 33.0V (VQ558500)
- 11. Fuse
 - F1: TL 2.5A (KB003580) J,U,C,V
 - TL 2.5A (KB003080) H,B,W
 - F2: TL 5.0A (KB003630) J,U,C,V
 - TL 3.15A (KB003090) H,B,W
- 12. Fuse Holder
 - PC-FH1 (LB201530)

- 13. Base Post Connector
 - CN1: VH- 4P TE (LB932040)
 - CN2: VH- 8P TE (LB932080)
 - CN3: VH- 5P TE (LB932050)
- 14. Wire Trap
 - CN4: 52147 4P TE (VK024800)
 - CN5: 52147 13P (VK025700)
- 15. Cable Holder
 - CN6: 51048 3P TE (V1878100)
- 16. Cable
 - P=2.0 #26 3P 300L (VS08080)
- 17. Connector Assembly
 - DC-CPU (VS08170)
- 18. Connector Housing
 - 5P-SDN (VM858100)