

DIGITAL MIXING CONSOLE

CL5 ENLARGED EDITION

SERVICE MANUAL



This Service Manual contains modified description to cope with following changes of CL5/CL3/CL1.

- Change of HAAD circuit board input impedance
: Specifications, Parts list, Circuit diagram, Circuit board diagram are modified.
- Change of MAIN FIRMWARE to V1.15
: The TEST PROGRAM procedures are modified to V1.15.
Updating firmware
Initialization
Color bar and CH NAME LCD calibration
Updating DANTE module (Brooklyn2)
DANTE sound output check

When servicing CL3/CL1, use Service Manual for CL3/CL1 (PA 012056) for other than modified sections.

These changes have been applicable to during and after 2013 January production. The applicable serial numbers are as follows.

CL5 # TH01001 ~
CL3 # TH01001 ~
CL1 # TH01001 ~

CL5/CL3/CL1 の以下の変更に対応を記載したサービスマニュアルです。

- ・ HAAD シートの入力インピーダンス変更
: 総合仕様、部品表、回路図、基板図の記載を変更
- ・ MAIN FIRMWARE を V1.15 に変更
: TEST PROGRAM を手順を V1.15 用に変更。
ファームウェアのアップデート
イニシャライズ
カラーバーと CH NAME LCD のキャリブレーション
DANTE モジュール (Brooklyn2) のアップデート
DANTE 音出し検査

CL3/CL1: 変更箇所以外は CL3/CL1 (PA 012056) のサービスマニュアルをご使用ください。

2013/01 生産途中から変更されています。
切替製造番号は、以下のようになります。

CL5 # TH01001 ~
CL3 # TH01001 ~
CL1 # TH01001 ~

CONTENTS (目次)

SPECIFICATIONS (総合仕様)	4
PIN ASSIGNMENTS (ピンアサイン表)	6
DIMENSIONS (寸法図)	6
PANEL LAYOUT (パネルレイアウト)	7
CIRCUIT BOARD LAYOUT (ユニットレイアウト)	13
DISASSEMBLY PROCEDURE (分解手順)	16
LSI PIN DESCRIPTION (LSI 端子機能表)	43
CIRCUIT BOARDS (シート基板図)	66
INSPECTIONS (検査)	97/102
SETTINGS FOR SHIPMENT (出荷設定)	101/106
SERVICE CHECK PROGRAM (サービス検査プログラム) ...	107/123
UPDATING FIRMWARE (ファームウェアのアップデート) ...	140/141
INITIALIZATION (イニシャライズ)	142/143
TOUCH SCREEN CALIBRATION (タッチスクリーンのキャリブレーション) ...	144
FADER CALIBRATION (フェーダーキャリブレーション) ..	145/146
COLOR BAR AND CH NAME LCD CALIBRATION (カラーバーと CH NAME LCD のキャリブレーション)	147/148

SCREEN SHOT (スクリーンショット)	149
UPDATING DANTE MODULE (Brooklyn2) (DANTE モジュール (Brooklyn2) のアップデート)	150/152
DANTE SOUND OUTPUT CHECK (DANTE 音出し検査) ...	154/155
STARTING SEQUENCE (起動シーケンス)	156/159
MEMORY INITIALIZATION (メモリ初期化)	162
LIST OF FUNCTIONS OF DSP ICs OF DSP/FX CIRCUIT BOARD AND CORRESPONDING SDRAM (DSP/FX シートの各 DSP IC の機能と対応 SDRAM の一覧)	164
REQUIRED ITEMS FOR REPLACEMENT OF CPU CIRCUIT BOARD AND REPLACEMENT PROCEDURE (CPU シート交換後に必要な項目と手順)	167/168
PARTS LIST	
BLOCK DIAGRAM (ブロックダイアグラム)	
OVERALL CONNECTOR CIRCUIT DIAGRAM (総コネクタ接続回路図)	
CIRCUIT DIAGRAM (回路図)	

PA 012074

20120401-オーブンプライス

 **YAMAHA**

HAMAMATSU, JAPAN

Copyright (c) Yamaha Corporation. All rights reserved. PDF (R) (C) '13.03

IMPORTANT NOTICE

This manual has been provided for the use of authorized Yamaha Retailers and their service personnel. It has been assumed that basic service procedures inherent to the industry, and more specifically Yamaha Products, are already known and understood by the users, and have therefore not been restated.

WARNING : Failure to follow appropriate service and safety procedures when servicing this product may result in personal injury, destruction of expensive components and failure of the product to perform as specified. For these reasons, we advise all Yamaha product owners that all service required should be performed by an authorized Yamaha Retailer or the appointed service representative.

IMPORTANT : This presentation or sale of this manual to any individual or firm does not constitute authorization certification, recognition of any applicable technical capabilities, or establish a principal-agent relationship of any form.

The data provided is believed to be accurate and applicable to the unit(s) indicated on the cover. The research engineering, and service departments of Yamaha are continually striving to improve Yamaha products. Modifications are, therefore, inevitable and changes in specification are subject to change without notice or obligation to retrofit. Should any discrepancy appear to exist, please contact the distributor's Service Division.

WARNING : Static discharges can destroy expensive components. Discharge any static electricity your body may have accumulated by grounding yourself to the ground bus in the unit (heavy gauge black wires connect to this bus.)

IMPORTANT : Turn the unit OFF during disassembly and parts replacement. Recheck all work before you apply power to the unit.

WARNING: CHEMICAL CONTENT NOTICE!

The solder used in the production of this product contains LEAD. In addition, other electrical/electronic and/or plastic (Where applicable) components may also contain traces of chemicals found by the California Health and Welfare Agency (and possibly other entities) to cause cancer and/or birth defects or other reproductive harm.

DO NOT PLACE SOLDER, ELECTRICAL/ELECTRONIC OR PLASTIC COMPONENTS IN YOUR MOUTH FOR ANY REASON WHAT SO EVER!

Avoid prolonged, unprotected contact between solder and your skin! When soldering, do not inhale solder fumes or expose eyes to solder/flux vapor!

If you come in contact with solder or components located inside the enclosure of this product, wash your hands before handling food.

LITHIUM BATTERY HANDLING

This product uses a lithium battery for memory back-up.

WARNING : Lithium batteries are dangerous because they can be exploded by improper handling. Observe the following precautions when handling or replacing lithium batteries.

- Leave lithium battery replacement to qualified service personnel.
- Always replace with batteries of the same type.
- When installing on the PC board by soldering, solder using the connection terminals provided on the battery cells.
- Never solder directly to the cells. Perform the soldering as quickly as possible.
- Never reverse the battery polarities when installing.
- Do not short the batteries.
- Do not attempt to recharge these batteries.
- Do not disassemble the batteries.
- Never heat batteries or throw them into fire.

ADVARSEL!

Lithiumbatteri-Eksplosionsfare ved fejlagtig håndtering. Udskiftning må kun ske med batteri af samme fabrikat og type. lever det brugte batteri tilbage til leverandren.

VARNING

Explosionsfara vid felaktigt batteribyte.

Använd samma batterityp eller en ekvivalent typ som rekommenderas av apparattillverkaren.

Kassera använt batteri enligt fabrikantens instruktion.

VAROITUS

Paristo voi räjähtää, jos se on virheellisesti asennettu.

Vaihda paristo ainoastaan laitevalmistajan suosittelemaan tyyppiin.

Hävittä käytetty paristo valmistajan ohjeiden mukaisesti.

The following information complies with Dutch official Gazette 1995. 45; ESSENTIALS OF ORDER ON THE COLLECTION OF BATTERIES.


- Please refer to the disassembly procedure for the removal of Back-up Battery.
- Leest u voor het verwijderen van de backup batterij deze beschrijving.

リチウム電池の取り扱い

<注意>

- リチウム電池を誤って交換すると爆発する危険があります。交換する場合は、サービスマニュアルで指定された部品を使用してください。

WARNING

Components having special characteristics are marked  and must be replaced with parts having specification equal to those originally installed.




印の部品は、安全を維持するために重要な部品です。交換する場合は、安全のために必ず指定の部品をご使用ください。

IMPORTANT NOTICE FOR THE UNITED KINGDOM**Connecting the Plug and Cord**

WARNING: THIS APPARATUS MUST BE EARTHED
IMPORTANT. The wires in this mains lead are coloured in accordance with the following code:

GREEN-AND-YELLOW : EARTH
 BLUE : NEUTRAL
 BROWN : LIVE

As the colours of the wires in the mains lead of this apparatus may not correspond with the coloured markings identifying the terminals in your plug proceed as follows:

The wire which is coloured GREEN-and-YELLOW must be connected to the terminal in the plug which is marked by the letter E or by the safety earth symbol  or colored GREEN or GREEN-and-YELLOW.

The wire which is coloured BLUE must be connected to the terminal which is marked with the letter N or coloured BLACK.

The wire which is coloured BROWN must be connected to the terminal which is marked with the letter L or coloured RED.

(3 wires)

This product contains a battery that contains perchlorate material. Perchlorate Material—special handling may apply, See www.dtsc.ca.gov/hazardouswaste/perchlorate.

* This applies only to products distributed by YAMAHA CORPORATION OF AMERICA.

(Perchlorate)

This product contains a high intensity lamp that contains a small amount of mercury. Disposal of this material may be regulated due to environmental considerations. For disposal information in the United States, refer to the Electronic Industries Alliance web site: www.eiae.org

* This applies only to products distributed by YAMAHA CORPORATION OF AMERICA.

(mercury)

■ BACKUP BATTERY (バックアップバッテリー)

Be sure to perform it

This device has a built-in backup battery that maintains internal clock data even when the device's power is switched off. However, the backup battery will eventually become depleted, and when that happens the internal clock data will be reset. Replace the backup battery before it becomes fully depleted.

When the backup battery is running low, the LCD display indicates "Low Battery" when you start up the system. In this case, immediately save the data to a USB memory.

The average life of the backup battery is approximately five years, depending on operating conditions.

この機器はバックアップバッテリーを内蔵しており、電源を切った状態でも内蔵時計のデータは保持されます。ただし、バックアップバッテリーが消耗すると内蔵時計のデータがリセットされますので、消耗する前にバックアップバッテリーを交換する必要があります。バックアップバッテリーが消耗してくると、機器の起動時にディスプレイに「LowBattery」が表示されます。その場合は、すぐにデータをUSBメモリーに保存してください。本体を通电していない場合のバックアップバッテリーの寿命の目安は約5年ですが、使用環境などにより変動する場合があります。

■ SAVING DATA (データの保存)

To protect against data loss through media damage, we recommend that you save your important data onto two USB storage devices/ external media.

保存したUSBメモリーの万一の事故に備えて、大切なデータはコンピューターや予備のUSBメモリーにバックアップとして保存されることをおすすめします。



Take care not to trap your fingers.
 (作業中は指を挟まない様に注意してください。)

■ ABOUT FIRMWARE UPDATES (ファームウェアのアップデートについて)

This product enables you to update the unit firmware to improve operations, add functions, and correct possible malfunctions.

The following two types of firmware are available for the unit.

- Console firmware
- Dante module firmware

You must update each type of firmware separately. Details on updating the firmware are available on the following website:

<http://www.yamahaproaudio.com/>

For information on updating and setting up the unit, please refer to the firmware update guide available on the website.

この製品は、操作性向上や機能の追加、不具合の修正のために、本体のファームウェアをアップデートできる仕様になっています。

本体のファームウェアには、下記の2つがあります。

- コンソールのファームウェア
- Dante モジュールのファームウェア

ファームウェアのアップデートをするときは、それぞれを個別にアップデートする必要があります。

ファームウェアのアップデートに関する情報は、下記ウェブサイトに掲載されています。

<http://proaudio.yamaha.co.jp/>

アップデートの手順や本体の設定については、ウェブサイトを用意されているファームウェアアップデートガイドをご参照ください。

■ SPECIFICATIONS (総合仕様)

General specifications (一般仕様)

Sampling Frequency	Internal	44.1kHz 48kHz	
	External	44.1kHz +4.1667%, +0.1%, -0.1%, -4.0%	±200ppm
		48kHz +4.1667%, +0.1%, -0.1%, -4.0%	±200ppm
Signal Delay	Less than 2.5ms, OMNI IN to OMNI OUT, Fs= 48kHz		
Fader	100mm motorized, Resolution=1024steps, +10dB to -138dB, -∞dB all faders		
Frequency Response	+0.5, -1.5dB 20Hz-20kHz, refer to +4dBu output @1kHz, OMNI IN to OMNI OUT		
Total Harmonic Distortion*4	Less than 0.05% 20Hz-20kHz@+4dBu into 600Ω, OMNI IN to OMNI OUT, Input Gain= Min.		
Hum&Noise*5	-128dBu typ., Equivalent Input Noise, Input Gain= Max., -88dBu, Residual output noise, ST master off		
Dynamic Range	112dB typ., DA Converter, 108dB typ., OMNI IN to OMNI OUT, Input Gain= Min.		
Crosstalk@1kHz	-100dB*1, adjacent OMNI IN/OMNI OUT channels, Input Gain= Min.		
Dimensions (W x H x D) and Net Weight	CL5: 1053mm x 299mm x 667mm, 36kg CL3: 839mm x 299mm*2 x 667mm, 29kg*2 CL1: 648mm x 299mm*2 x 667mm, 24kg*2		
Power Requirements (wattage)	CL5/CL3/CL1: 170W, Internal Power Supply CL5/CL3/CL1: 200W, Simultaneous use of Internal PSU and External PW800W		
Power Requirements (voltage and hertz)	US/Canada: 120V 60Hz Japan: 100V 50/60Hz China: 110-240V 50/60Hz Korea: 220V 60Hz Other: 110-240V 50/60Hz		
Temperature Range	Operating temperature range: 0-40°C Storage temperature range: -20-60°C		
Included Accessories	Owner's Manual, Dust Cover, Power Cord		
Optional Accessories	Meter Bridge MBCL (CL3/CL1 only), Mini-YGDAL cards*3, Gooseneck Lamp LA1L Power Supply PW800W, Power Supply Link Cable PSL360		

*1. Crosstalk is measured with a 30dB/octave filter @22kHz

*2. Excluded MBCL optional meter bridge.

*3. Refer to the Yamaha pro audio website for information on supported cards.
<http://www.yamahaproaudio.com>

*4. Total Harmonic Distortion is measured with 18dB/octave filter @80kHz

*5. Hum & Noise are measured with A-Weight filter.

Input/output characteristics (入出力仕様)

ANALOG INPUT CHARACTERISTICS

Input Terminals	GAIN	Actual Load Impedance	For Use With Nominal	Input Level			Connector
				Sensitivity* ¹	Nominal	Max. before clip	
OMNI IN 1-8	+66dB	7.5kΩ	50-600Ω Mics & 600Ω Lines	-82dBu (61.6μV)	-62dBu (0.616mV)	-42dBu (6.16mV)	XLR-3-31 type (Balanced)* ²
	+18dB			-34dBu (15.5mV)	-14dBu (155mV)	+6dBu (1.55V)	
	+17dB			-33dBu (17.4mV)	-13dBu (174mV)	+7dBu (1.74V)	
TALKBACK	-6dB	10kΩ	50-600Ω Mics & 600Ω Lines	-10dBu (245mV)	+10dBu (2.45V)	+30dBu (24.5V)	XLR-3-31 type (Balanced)* ²
	+64dB			-70dBu (0.245mV)	-60dBu (0.775mV)	-40dBu (7.75mV)	
	+20dB			-26dBu (38.8mV)	-16dBu (0.123V)	+4dBu (1.23V)	

*1. Sensitivity is the lowest level that will produce an output of +4dBu (1.23V) or the nominal output level when the unit is set to maximum gain. (all faders and level controls are maximum position.)

*2. XLR-3-31 type connectors are balanced. (1= GND, 2= HOT, 3= COLD)

*3. In these specifications, 0dBu= 0.775 Vrms.

*4. All input AD converters are 24bit linear, 128times oversampling.

*5. +48V DC (phantom power) is supplied to OMNI IN (1-8) and TALKBACK XLR type connectors via each individual software controlled switches.

ANALOG OUTPUT CHARACTERISTICS

Output Terminals	Actual Source Impedance	For Use With Nominal	GAIN SW* ⁵	Output Level		Connector
				Nominal	Max. before clip	
OMNI OUT 1-8	75Ω	600Ω Lines	+24dB (default) +18dB	+4dBu (1.23V) -2dBu (616mV)	+24dBu (12.3V) +18dBu (6.16V)	XLR-3-32 type (Balanced)* ¹
PHONES	15Ω	8Ω Phones	-	75mW* ⁶	150mW	Stereo Phone Jack (TRS)
		40Ω Phones	-	65mW* ⁶	150mW	(Unbalanced)* ²

*1. XLR-3-32 type connectors are balanced. (1= GND, 2= HOT, 3= COLD)

*2. PHONES stereo phone jack is unbalanced. (Tip= LEFT, Ring= RIGHT, Sleeve= GND)

*3. In these specifications, 0dBu= 0.775 Vrms.

*4. All output DA converters are 24bit, 128times oversampling.

*5. There are switches inside the body to preset the maximum output level.

*6. The position of the level control is 10dB lowered from Max.

DIGITAL INPUT & OUTPUT CHARACTERISTICS

Terminal	Format	Data length	Level	Audio	Connector
Primary/Secondary	Dante	24bit or 32bit	1000Base-T	64ch Input/64ch Output @48kHz	etherCON Cat5e

DIGITAL OUTPUT CHARACTERISTICS

Terminal	Format	Data Length	Level	Connector	
DIGITAL OUT	AES/EBU	AES/EBU Professional Use	24bit	RS422	XLR-3-32 type (Balanced)* ¹

*1. XLR-3-32 type connectors are balanced. (1= GND, 2= HOT, 3= COLD)

I/O SLOT (1-3) CHARACTERISTICS

Each I/O Slot accepts a mini-YGDAI card. Only Slot1 has a serial interface.

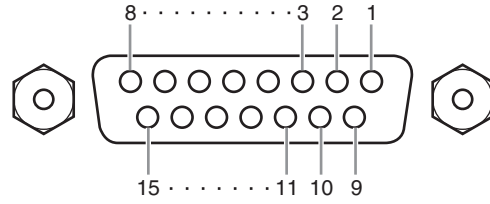
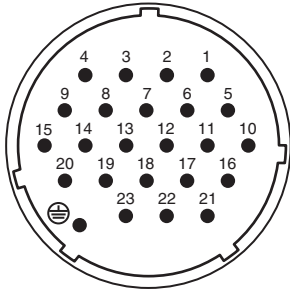
CONTROL I/O CHARACTERISTICS

Terminal	Format	Level	Connector
MIDI	IN	MIDI	DIN Connector 5P
	OUT	MIDI	DIN Connector 5P
WORD CLOCK	IN	TTL/75Ω terminated	BNC Connector
	OUT	TTL/75Ω	BNC Connector
GPI (5IN/5OUT)	-	-	D Sub Connector 15P (Female)* ¹
NETWORK	IEEE802.3	10BASE-T/100Base-TX	RJ-45
LAMP (CL5: x3, CL3: x2, CL1: x1)	-	0V-12V* ⁴	XLR-4-31 type* ²
USB HOST	USB 2.0	-	USB A Connector (Female)
DC POWER INPUT	-	-	JL05 Connector
METER (CL3/CL1 only)	-	-	D Sub Connector 9P (Female)

*1. Input pin: TTL level, w/ internal pull-up (47kΩ)
Output pin: Open drain output (V_{max}=12V, maximum sink current/pin=75mA)
Power supply pin: Output voltage V_p=5V, Max. output current I_{max}=300mA

*2. 4pin= +12V, 3pin= GND, Lamp rating 5W. Voltage control by software.

PIN ASSIGNMENTS (ピンアサイン表)



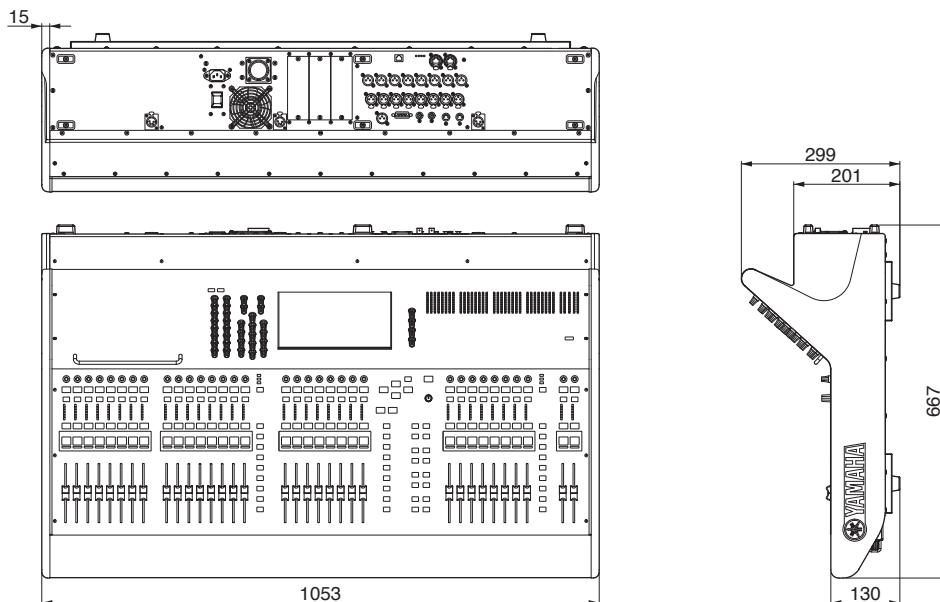
DC POWER INPUT

Pin	Signal Name	Pin	Signal Name
1	+24V	13	GND
2	+24V	14	GND
3	+24V	15	GND
4	+24V	16	GND
5	+24V	17	GND
6	+24V	18	GND
7	+24V	19	CAUTION(+)
8	+24V	20	CAUTION(-)
9	+24V	21	DETECT A
10	GND	22	DETECT B
11	GND	23	DETECT GND
12	GND	⊕	Frame GND

GPI

Pin	Signal Name	Pin	Signal Name
1	GPO1	9	GPO2
2	GPO3	10	GPO4
3	GPO5	11	GND
4	GND	12	GND
5	+5V	13	+5V
6	GPI1	14	GPI2
7	GPI3	15	GPI4
8	GPI5		

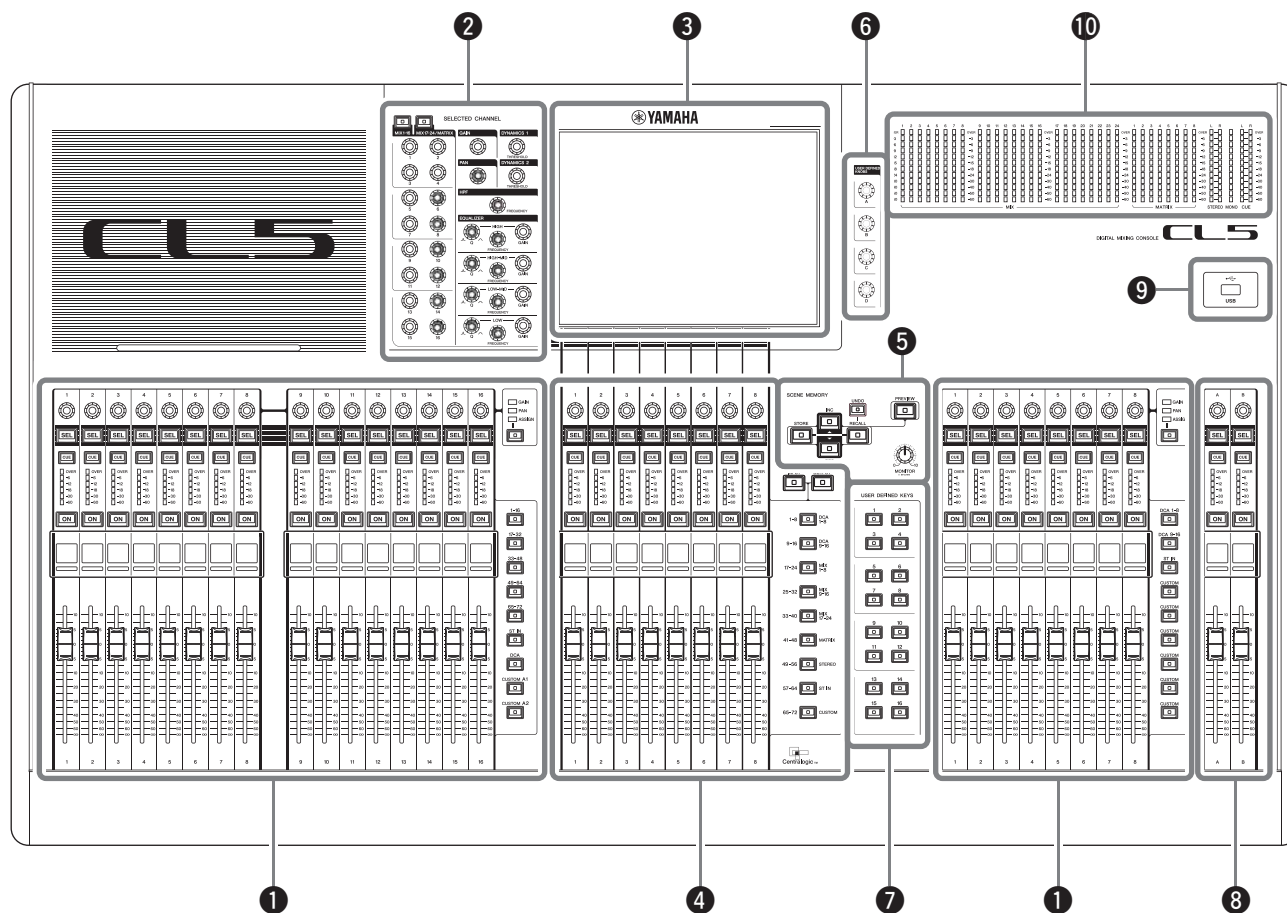
DIMENSIONS (寸法図)



Unit(単位): mm

PANEL LAYOUT (パネルレイアウト)

1. Top Panel (トップパネル)

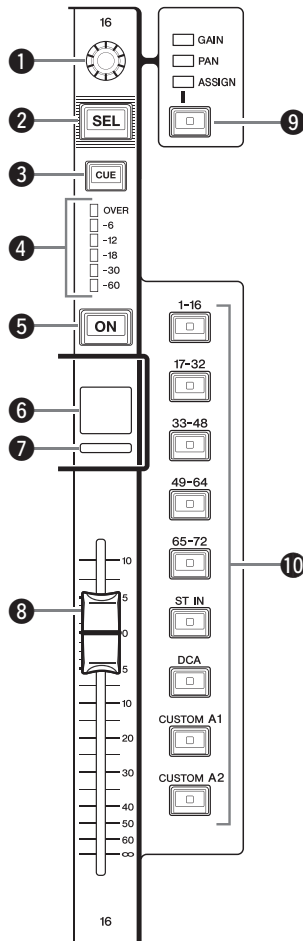


- ① Channel Strip section
- ② SELECTED CHANNEL section
- ③ Display section
- ④ Centralogic section
- ⑤ SCENE MEMORY/MONITOR section
- ⑥ USER DEFINED KNOBS section
- ⑦ USER DEFINED KEYS section
- ⑧ Master section
- ⑨ USB connector
- ⑩ Meter section

- ① チャンネルストリップセクション
- ② SELECTED CHANNEL セクション
- ③ ディスプレイセクション
- ④ Centralogic (セントラロジック) セクション
- ⑤ SCENE MEMORY/MONITOR (シーンメモリー/モニター) セクション
- ⑥ USER DEFINED KNOBS (ユーザーディファインドノブ) セクション
- ⑦ USER DEFINED KEYS (ユーザーディファインドキー) セクション
- ⑧ マスターセクション
- ⑨ USB 端子
- ⑩ メーターセクション

2. Top Panel Details (トップパネル詳細)

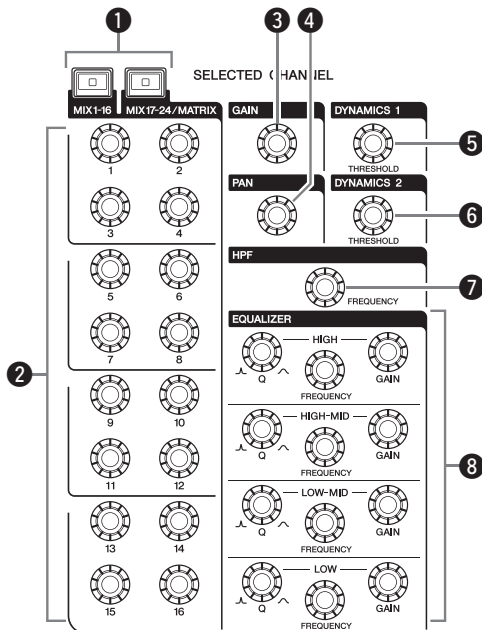
2-1. Channel Strip section (チャンネルストリップセクション)



- ① GAIN/PAN/ASSIGN knob
- ② [SEL] key
- ③ [CUE] key
- ④ Meter LEDs
- ⑤ [ON] key
- ⑥ Channel name display
- ⑦ Channel color indicator
- ⑧ Fader
- ⑨ [GAIN/PAN/ASSIGN] key
- ⑩ Bank Select keys

- ① GAIN/PAN/ASSIGN ノブ
- ② [SEL] キー
- ③ [CUE] キー
- ④ メーター LED
- ⑤ [ON] キー
- ⑥ チャンネルネームディスプレイ
- ⑦ チャンネルカラーインジケーター
- ⑧ フェーダー
- ⑨ [GAIN/PAN/ASSIGN] キー
- ⑩ バンクセレクトキー

2-2. SELECTED CHANNEL section (SELECTED CHANNEL セクション)



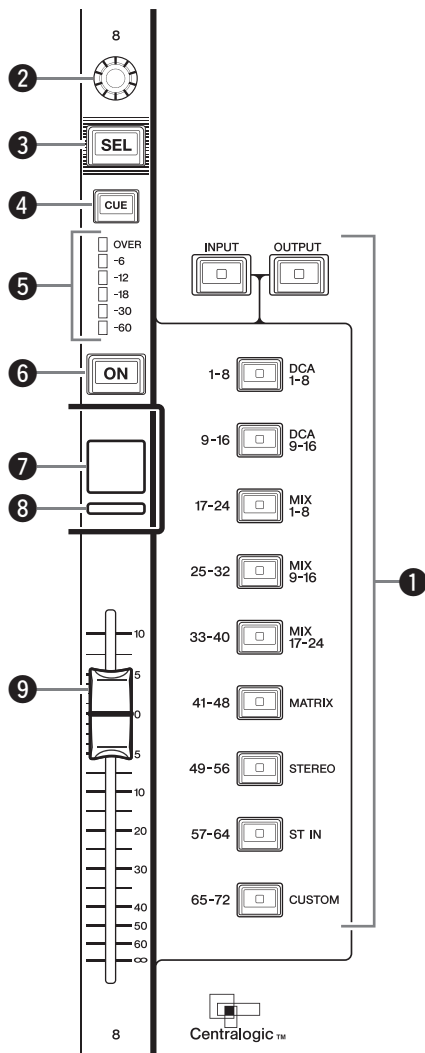
- ① [MIX1-16] key/[MIX17-24/MATRIX]key
- ② [1]-[16] knobs
- ③ [GAIN] knob
- ④ [PAN] knob
- ⑤ [DYNAMICS 1] knob
- ⑥ [DYNAMICS 2] knob
- ⑦ [HPF] knob
- ⑧ EQ [Q], EQ [FREQUENCY], EQ [GAIN] knobs

- ① [MIX1-16] キー / [MIX17-24/MATRIX] キー
- ② [1] ~ [16] ノブ
- ③ [GAIN] ノブ
- ④ [PAN] ノブ
- ⑤ [DYNAMICS 1] ノブ
- ⑥ [DYNAMICS 2] ノブ
- ⑦ [HPF] ノブ
- ⑧ EQ [Q]、EQ [FREQUENCY]、EQ [GAIN] ノブ

2-3. Display section (ディスプレイセクション)



2-4. Centralogic section (Centralogic (セントラロジック) セクション)

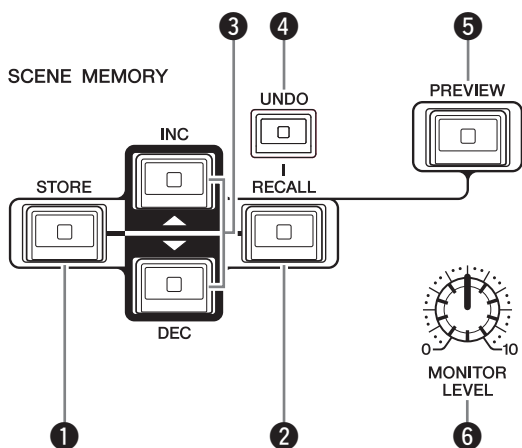


- ① Bank Select keys
- ② Multifunction knob
- ③ [SEL] key
- ④ [CUE] key
- ⑤ Meter LEDs
- ⑥ [ON] key
- ⑦ Channel name display
- ⑧ Channel color indicator
- ⑨ Fader

- ① バンクセレクトキー
- ② マルチファンクションノブ
- ③ [SEL] キー
- ④ [CUE] キー
- ⑤ メーター LED
- ⑥ [ON] キー
- ⑦ チャンネルネームディスプレイ
- ⑧ チャンネルカラーインジケータ
- ⑨ フェーダー

2-5. SCENE MEMORY/MONITOR section

(SCENE MEMORY/MONITOR (シーンメモリー/モニター) セクション)

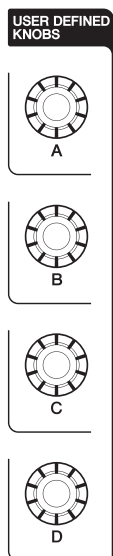


- ① SCENE MEMORY [STORE] key
- ② SCENE MEMORY [RECALL] key
- ③ SCENE MEMORY [INC]/[DEC] keys
- ④ [UNDO] key
- ⑤ [PREVIEW] key
- ⑥ [MONITOR LEVEL] knob

- ① SCENE MEMORY [STORE] キー
- ② SCENE MEMORY [RECALL] キー
- ③ SCENE MEMORY [INC] / [DEC] キー
- ④ [UNDO] キー
- ⑤ [PREVIEW] キー
- ⑥ [MONITOR LEVEL] ノブ

2-6. USER DEFINED KNOBS section

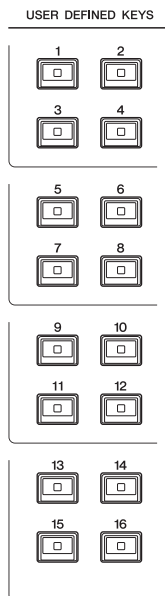
(USER DEFINED KNOBS
(ユーザーディファインドノブ) セクション)



USER DEFINED knobs [A]–[D]
USER DEFINED ノブ [A] ~ [D]

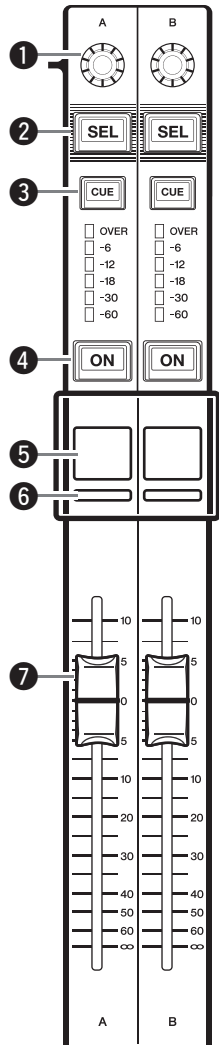
2-7. USER DEFINED KEYS section

(USER DEFINED KEYS
(ユーザーディファインドキー) セクション)



USER DEFINED keys [1]–[16]
USER DEFINED キー [1] ~ [16]

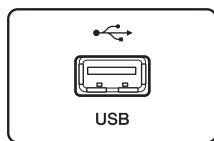
2-8. Master section (マスターセクション)



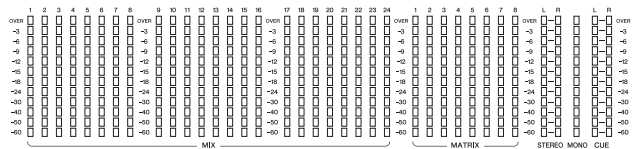
- ① GAIN/PAN/ASSIGN knob
- ② [SEL] key
- ③ [CUE] key
- ④ [ON] key
- ⑤ Channel name display
- ⑥ Channel color indicator
- ⑦ Fader

- ① GAIN/PAN/ASSIGN ノブ
- ② [SEL] キー
- ③ [CUE] キー
- ④ [ON] キー
- ⑤ チャンネルネームディスプレイ
- ⑥ チャンネルカラーインジケータ
- ⑦ フェーダー

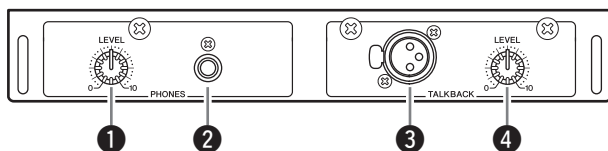
2-9. USB connector (USB 端子)



2-10. Meter section (メーターセクション)



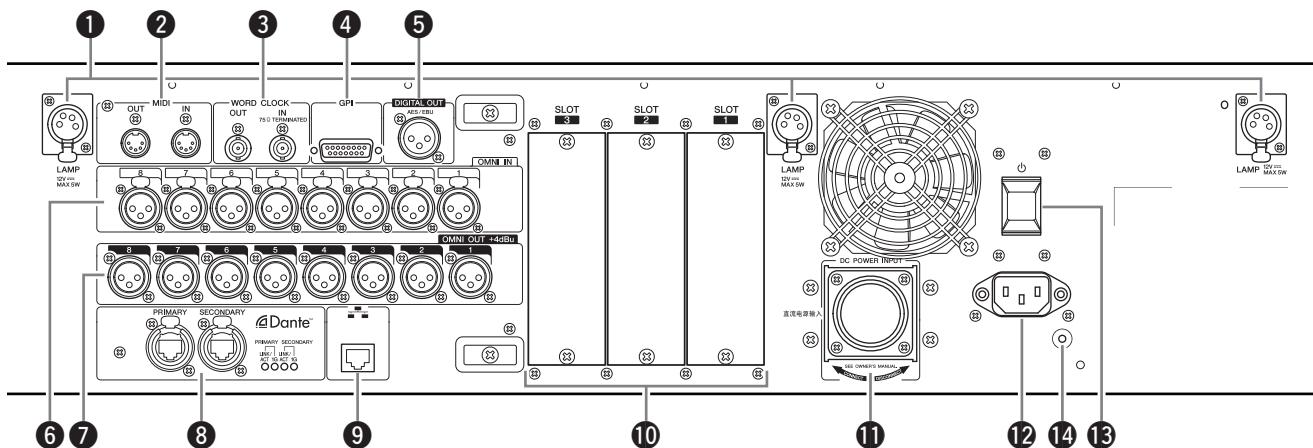
3. Front Panel (フロントパネル)



- ① PHONES LEVEL knob
- ② PHONES Out (headphone output) jack
- ③ TALKBACK jack
- ④ TALKBACK LEVEL knob

- ① PHONES LEVEL ノブ
- ② PHONES アウト (ヘッドフォン出力) 端子
- ③ TALKBACK 端子
- ④ TALKBACK LEVEL ノブ

4. Rear Panel (リアパネル)



- ① LAMP connectors
- ② MIDI IN/OUT connectors
- ③ WORD CLOCK IN/OUT connectors
- ④ GPI connector
- ⑤ DIGITAL OUT connector
- ⑥ OMNI IN jacks
- ⑦ OMNI OUT jacks
- ⑧ Dante connectors
- ⑨ NETWORK connector
- ⑩ SLOT 1-3
- ⑪ DC POWER INPUT connector
- ⑫ AC IN connector
- ⑬ ⏻ (Power Switch)
- ⑭ Grounding screw

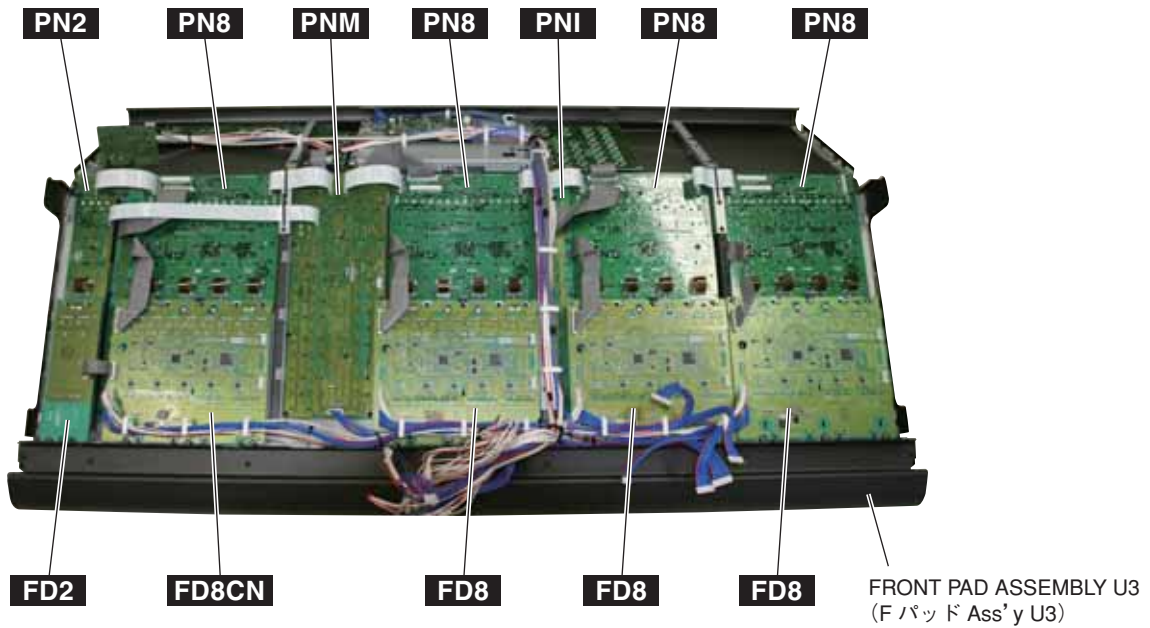
- ① LAMP 端子
- ② MIDI IN/OUT 端子
- ③ WORD CLOCK IN/OUT 端子
- ④ GPI 端子
- ⑤ DIGITAL OUT 端子
- ⑥ OMNI IN 端子
- ⑦ OMNI OUT 端子
- ⑧ Dante 端子
- ⑨ NETWORK 端子
- ⑩ SLOT1 ~ 3
- ⑪ DC POWER INPUT 端子
- ⑫ AC IN (電源入力) 端子
- ⑬ ⏻ (電源スイッチ)
- ⑭ アースねじ

■ CIRCUIT BOARD LAYOUT (ユニットレイアウト)

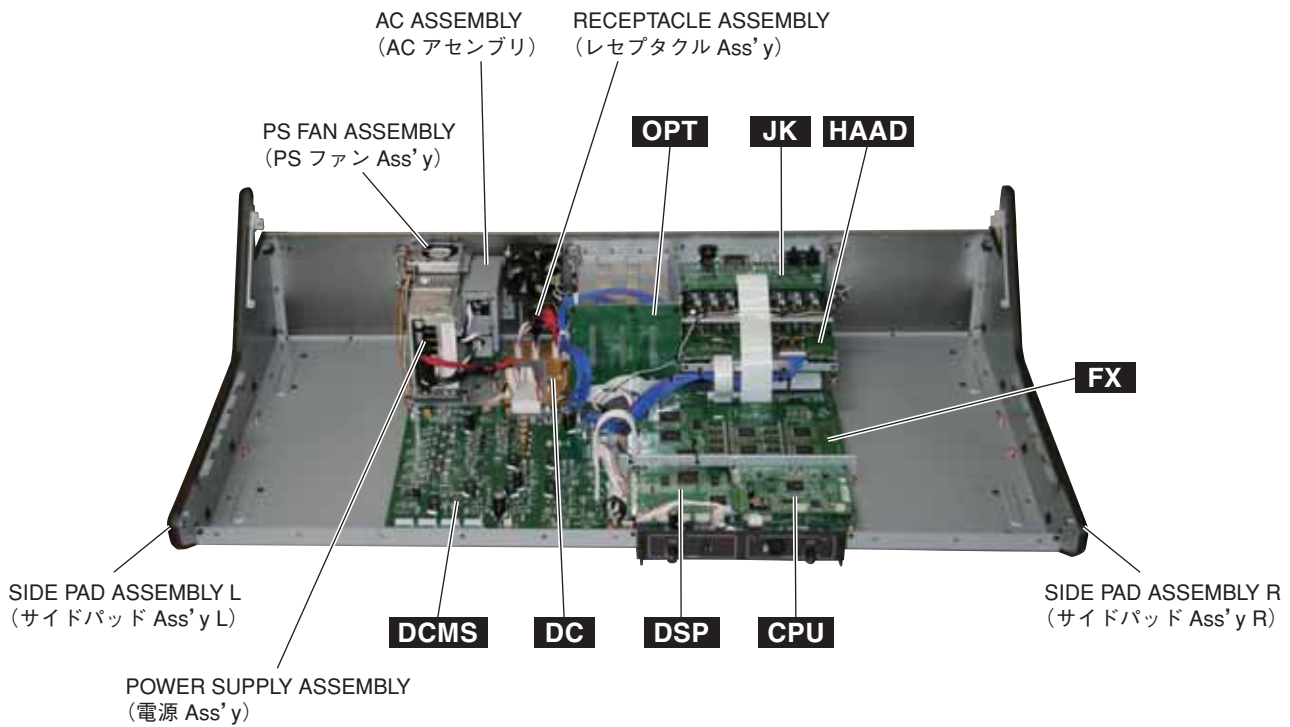


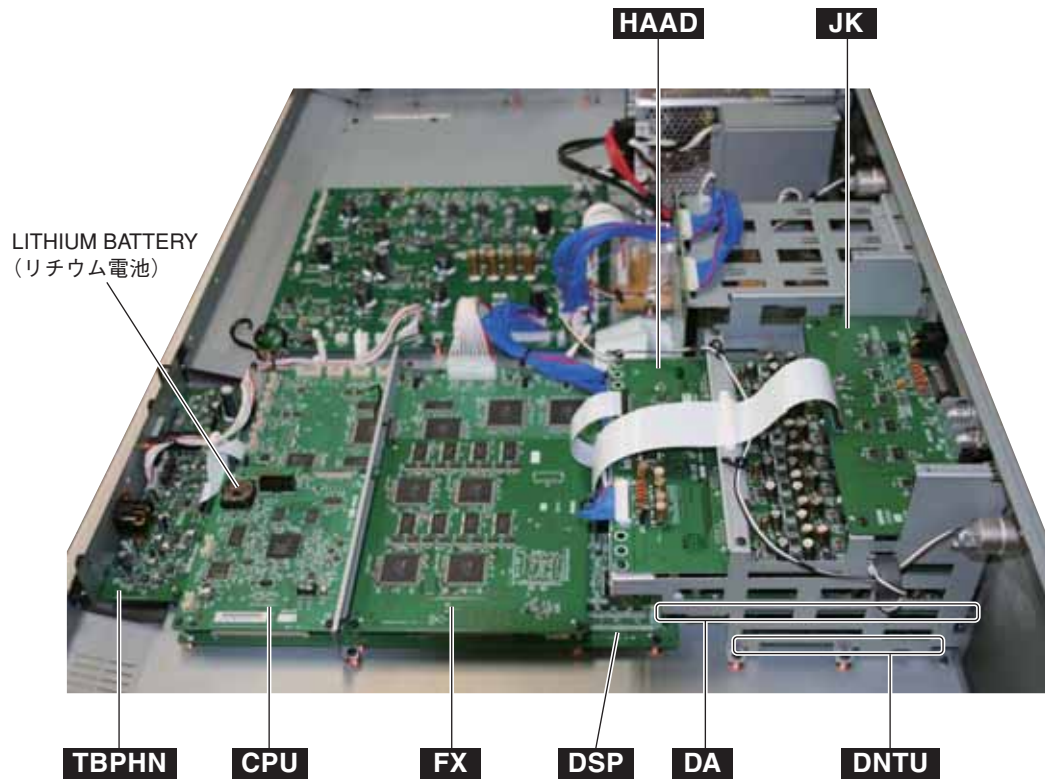
※ Some circuit boards may be different in color from those in the photo. (一部の基板は写真と色が異なります。)

● Control Panel U3 Assembly (コンパネ U3 Ass'y)



● Bottom U3 Assembly (ボトム U3 Ass'y)





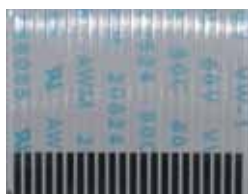
■ DISASSEMBLY PROCEDURE (分解手順)

Precaution (注意事項)



Take care not to trap your fingers.

- * Install the filament tape and the harness clamp in the same way as they were before removal.
- * **Notes on Flat Cable**
Contacts are visible from the back. Pay attention not to insert and install the cable to the connector inversely. (Photo 1)



Front side (表面)



作業中は指を挟まない様に注意してください。

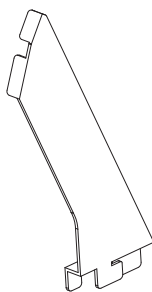
- ※ フィラメントテープ、束線止めは、取り外す前と同じように取り付けてください。
- ※ フラットケーブル注意
接点が裏面から透けて見えます。コネクタにケーブルの表・裏を逆に差し込まないように注意して取り付けてください。(写真1)



Back side (裏面)

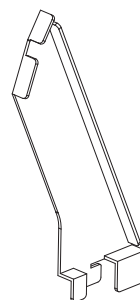
Photo 1 (写真1)

- * **MAC (Media Access Control) address** are stored in the CPU circuit board and the DNTU circuit board. If the CPU circuit board and the DNTU circuit board are replaced, MAC address will be changed.
- * After replacing the FD8/FD8CN/FD2 circuit board or fader unit, color bar and CH MAME LCD, or LCD assembly, be sure to execute calibration of the replacement part. When replacing the CPU circuit board, execute updating and each calibration of the firmware. For the details, refer to "REQUIRED ITEMS FOR REPLACEMENT OF CPU CIRCUIT BOARD AND REPLACEMENT PROCEDURE". (See page 167)
- * Before proceeding to procedures, prepare service stays L and R (tools for fixing the control panels) in advance. (Fig. 1)



Service stay L (WZ987700)
サービスステイ L (WZ987700)

- ※ CPU シートと DNTU シートには、MAC (Media Access Control) アドレスが設定されています。CPU シートと DNTU シートを交換すると、MAC アドレスが変更されます。
- ※ FD8/FD8CN/FD2 シート又はフェーダーユニット、カラーバーと CH NAME LCD、LCD Ass'yの交換後は、交換部品のキャリブレーションを実施してください。CPU シートの交換時は、ファームウェアのアップデート、各キャリブレーションを実施してください。詳細は、「CPU シート交換後に必要な項目と手順」参照。(168 ページ)
- ※ 作業を行う前に、サービスステイ L、R (コントロールパネル固定用工具) を用意してください。(図1)



Service stay R (WZ987800)
サービスステイ R (WZ987800)

Fig. 1 (図1)

- * **IC204 on CPU circuit board: MRAM (Magneto resistive Random Access Memory)** is a storage element using magnetism. Keep any magnetic item such as a screwdriver away from it as the magnetic force of such item may cause damage to the data of IC204 and the IC itself.

- ※ CPU シートの IC204 : MRAM (Magneto resistive Random Access Memory : 磁気抵抗ランダム・アクセス・メモリー) は、磁気を利用した記憶素子の為、ドライバーなど磁気を帯びたものを近づけないでください。IC204 のデータや IC 自身が壊れる恐れがあります。

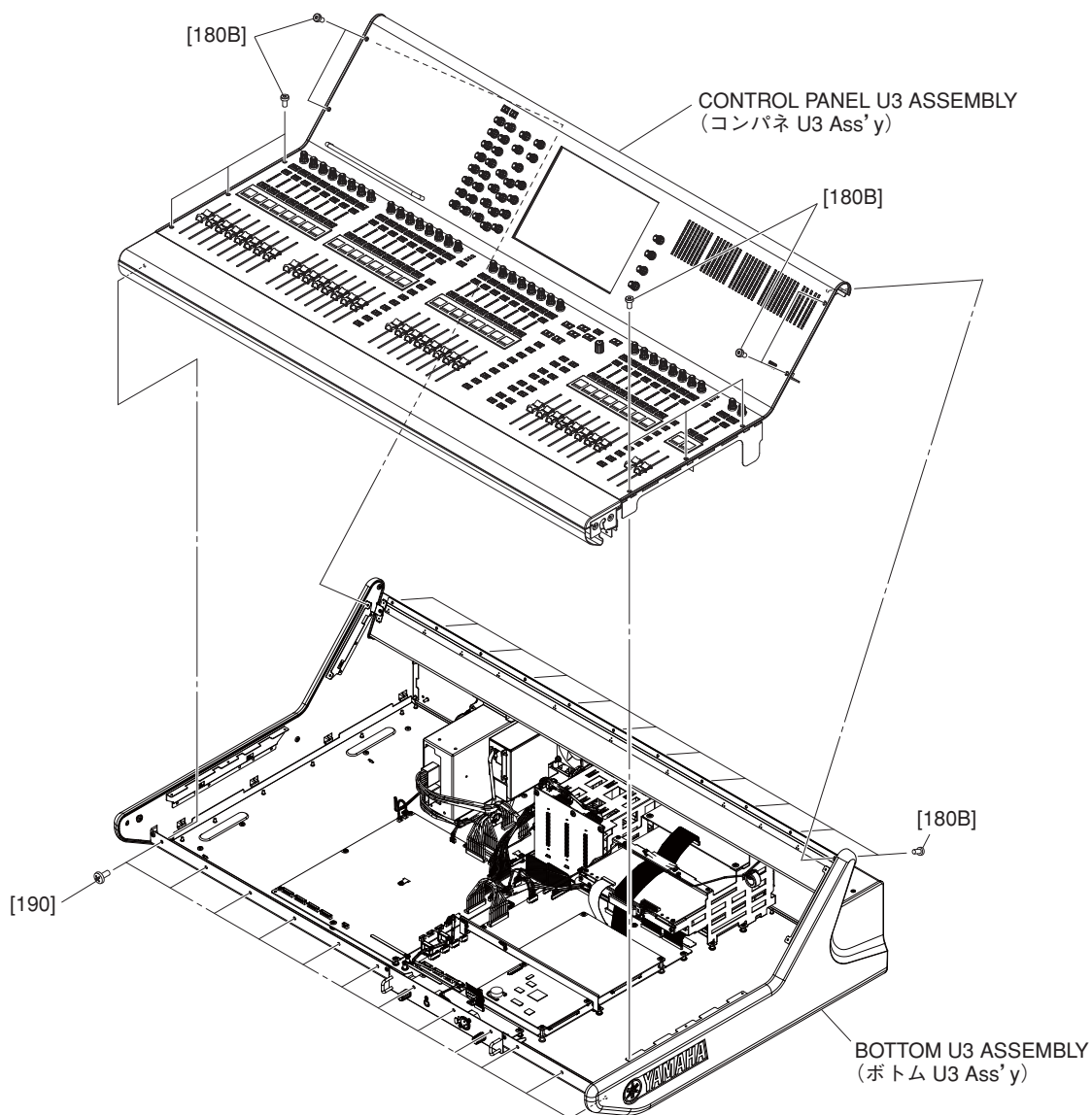
1.	Control Panel U3 Assembly (コンパネ U3 Ass'y)	18
2.	Lithium Battery (リチウム電池)	21
A.	Disassembly Procedure of Bottom U3 Assembly section (ボトム U3 Ass'y 部の分解)	
A-1.	Rear Upper U3 (リア上パネ U3)	22
A-2.	DCMS Circuit Board (DCMS シート)	23
A-3.	CPU Circuit Board (CPU シート)	24
A-4.	FX Circuit Board (FX シート)	24
A-5.	JK Sheet Assembly (JK シート Ass'y)	25
A-6.	HAAD Circuit Board (HAAD シート)	25
A-7.	DSP Circuit Board (DSP シート)	26
A-8.	DA Circuit Board (DA シート)	27
A-9.	DNTU Circuit Board, DANTE Module (DNTU シート、ダンテモジュール)	28
A-10.	AC Assembly (AC アセンブリ)	29
A-11.	PS Fan Assembly (PS ファン Ass'y)	29
A-12.	DC Fan Motor (DC ファンモーター)	29
A-13.	Receptacle Assembly (レセプタクル Ass'y)	30
A-14.	Power Supply Assembly (電源 Ass'y)	30
A-15.	DC Circuit Board (DC シート)	30
A-16.	OPT Circuit Board (OPT シート)	31
A-17.	LAMP Connector Assembly (LAMP 線材 Ass'y)	31
A-18.	TBPHN Sheet Assembly (TBPHN シート Ass'y)	31
A-19.	Side Pad Assembly (サイドパッド Ass'y)	32
B.	Disassembly Procedure of Control Panel U3 Assembly (コンパネ U3 Ass'y の分解)	
B-1.	LCDC Circuit Board (LCDC シート)	33
B-2.	LCD U Assembly (LCD U Ass'y)	34
B-3.	MB Circuit Board (MB シート)	34
B-4.	PNENR Circuit Board (PNENR シート)	35
B-5.	PNENL Added Button (PNENL ボタン付)	36
B-6.	USB Circuit Board (USB シート)	36
B-7.	FD2 Circuit Board (FD2 シート)	37
B-8.	PN2 Circuit Board (PN2 シート)	38
B-9.	Crystal Display (A/B) (液晶ディスプレイ (A/B))	39
B-10.	PN8 Added Button (PN8 ボタン付)	40
B-11.	Crystal Display (液晶ディスプレイ)	40
B-12.	FD8CN Circuit Board (FD8CN シート)	40
B-13.	FD8 Circuit Board (FD8 シート)	40
B-14.	PNI Circuit Board (PNI シート)	40
B-15.	PNM Circuit Board (PNM シート)	41
B-16.	Front Pad Assembly (F パッド Ass'y)	41
C.	Disassembly Procedure of AC Assembly (AC Ass'y の分解)	
C-1.	AC Circuit Board, AC Inlet Assembly (AC シート、AC インレット Ass'y)	42

1. Control Panel U3 Assembly (Time required: About 6 minutes)

- 1-1. Loosen the two (2) screws marked [180A] on the rear panel first and then remove the twenty-one (21) screws marked [180B] and the twelve (12) screws marked [190]. (Fig. 2)

1. コンパネ U3 Ass'y (所要時間：約 6 分)

- 1-1. リアパネル側の [180A] のネジ 2 本を緩めてから、[180B] のネジ 21 本と [190] のネジ 12 本を外します。(図 2)



• Rear view (リア側から見た図)

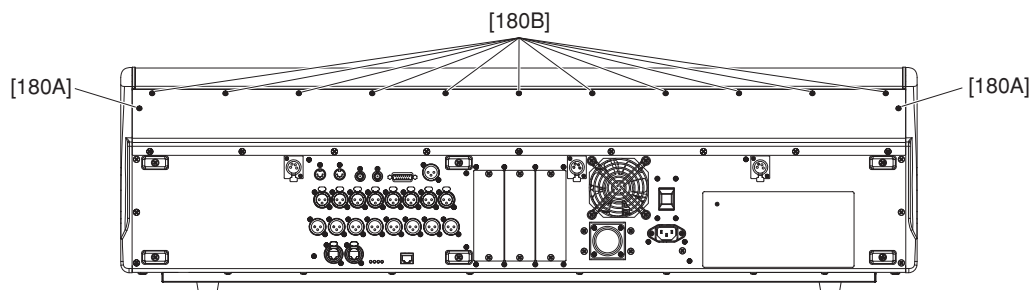


Fig. 2 (図 2)

- 1-2. Lift the control panel U3 assembly from the rear side and fix it with the service stays L and R. (Photo 2, Photo 3)
- * **Don't open the control panel by more than 90°. It may come off when it is opened by about 100°.** (Photo 4)
- 1-3. To remove the control panel U3 assembly, disconnect the seventeen (17) connectors assembly first and then lift the control panel U3 assembly vertically. (Photo 5)

- 1-2. コンパネ U3 Ass'y をリア側から持ち上げ、サービスステイ L, R で固定します。(写真 2、写真 3)
- ※ コンパネは 90 度以上は開けないでください。100 度ぐらいで、外れる可能性があります。(写真 4)
- 1-3. コンパネ U3 Ass'y を取り外す時は、17 本の束線を外してから、垂直に持ち上げて外します。(写真 5)

● Installing the service stay (サービスステイの取り付け方)

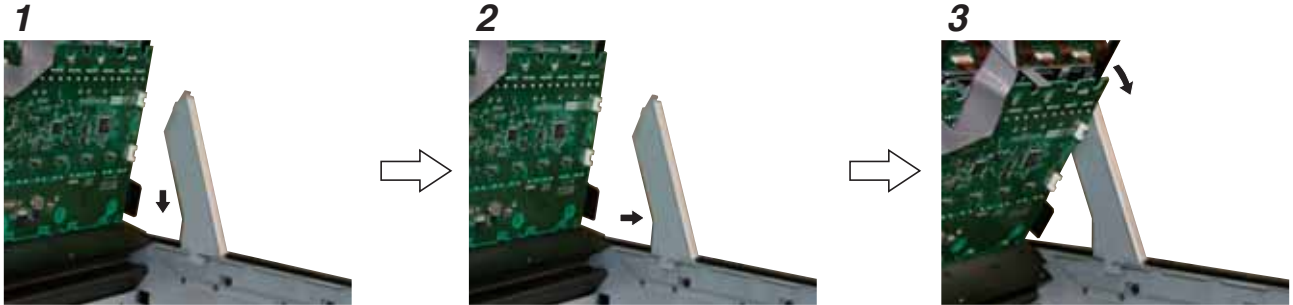


Photo 2 (写真 2)

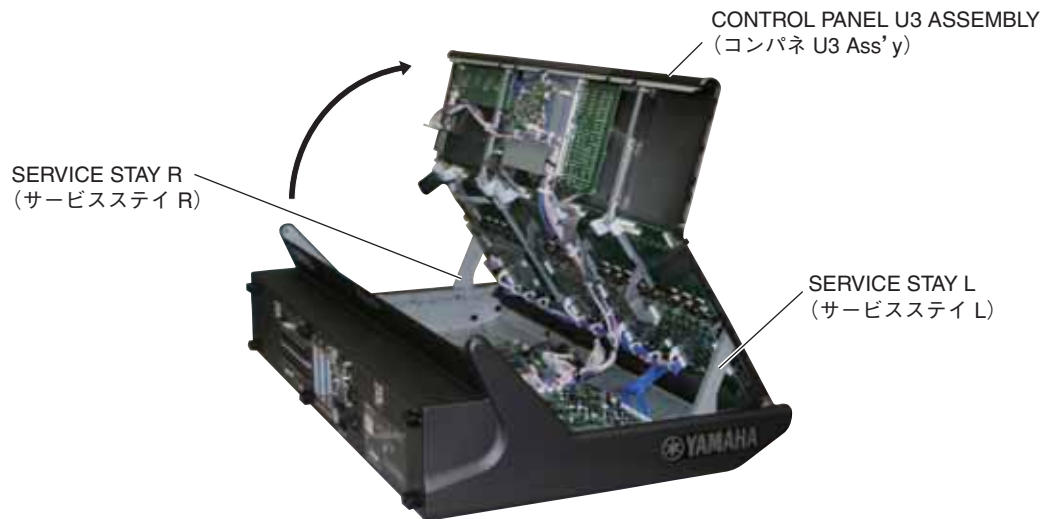


Photo 3 (写真 3)



Photo 4 (写真 4)



Photo 5 (写真 5)

● Precaution in handling the control panel U3 assembly

When placing the assembly with its panel face facing down, be careful so that the control knobs do not contact the floor.

● Precaution for installation of the control panel U3 assembly

- When closing the control panel U3 assembly, push both side pads outward in the arrow A direction so as not to cause damage to its top on both sides. (Photo 6)
- Tighten the screw "1" in photo 6 while pushing both side pads in the arrow B direction.
- Tighten the screw "2" in photo 7 while pushing both side pads in the arrow C direction.

● コンパネ U3 Ass'y の設置注意

パネル面を下にして置く時は、ボリュームノブ等が床に当たり、変形したり傷が付かないように置いてください。

● コンパネ U3 Ass'y の取付け注意

- 左右のトップ部分が傷つけない為に、サイドパッド（両サイド）を矢印 A 方向に広げながらコンパネを閉めてください。（写真 6）
- 写真 6 に示す 1 のネジを締めるときは、サイドパッド（両サイド）を矢印 B 方向に押しながら締めてください。
- 写真 7 に示す 2 のネジを締めるときは、サイドパッド（両サイド）を矢印 C 方向に押しながら締めてください。



Photo 6 (写真 6)

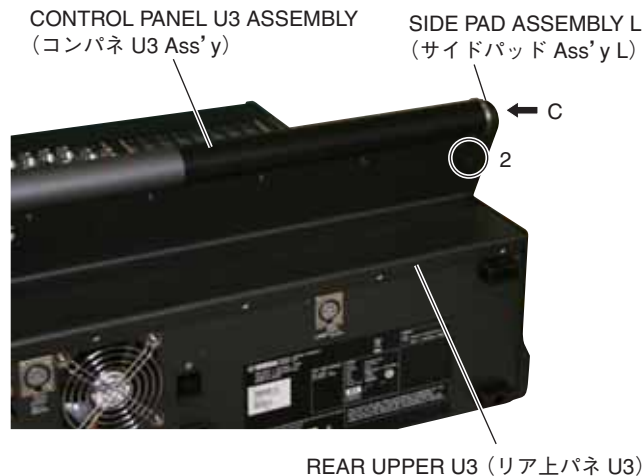


Photo 7 (写真 7)

2. Lithium Battery (Time required: About 6 minutes)

- 2-1. Open the control panel U3 assembly and secure with the service stays. (See procedure 1)
- 2-2. The lithium battery on the CPU circuit board can be replaced. (Photo 8)
- * **The lithium battery is not part of the CPU circuit board. When replacing the CPU circuit board, remove the lithium battery from the CPU circuit board, and install it on the new circuit board.**
- * **Before replacing the lithium battery, be sure to save all the internal setting data in on a USB memory.**
- * **After removing or replacing the lithium battery, be sure to reset the time and date of the clock built in this unit. Owner's Manual: Setup/Setting the date and time of the internal clock (See page 35).**

2. リチウム電池 (所要時間：約 6 分)

- 2-1. コンパネ U3 Ass'y を開けて、サービスステイで固定します。(1 項参照)
- 2-2. CPU シート上より、リチウム電池を交換することができます。(写真 8)
- ※ リチウム電池は、CPU シートの構成部品ではありません。CPU シートを交換する際には、CPU シートからリチウム電池を取り外して、新しいシートに取り付けてください。
- ※ リチウム電池の交換を行う前には、内部の全ての設定データを USB メモリーにセーブ（保存）してください。
- ※ リチウム電池の取り外し、または交換した際は、本機の内蔵時計の日時を合わせてください。
取扱説明書：セットアップ / 内蔵時計の日時を合わせる (35 ページ参照)

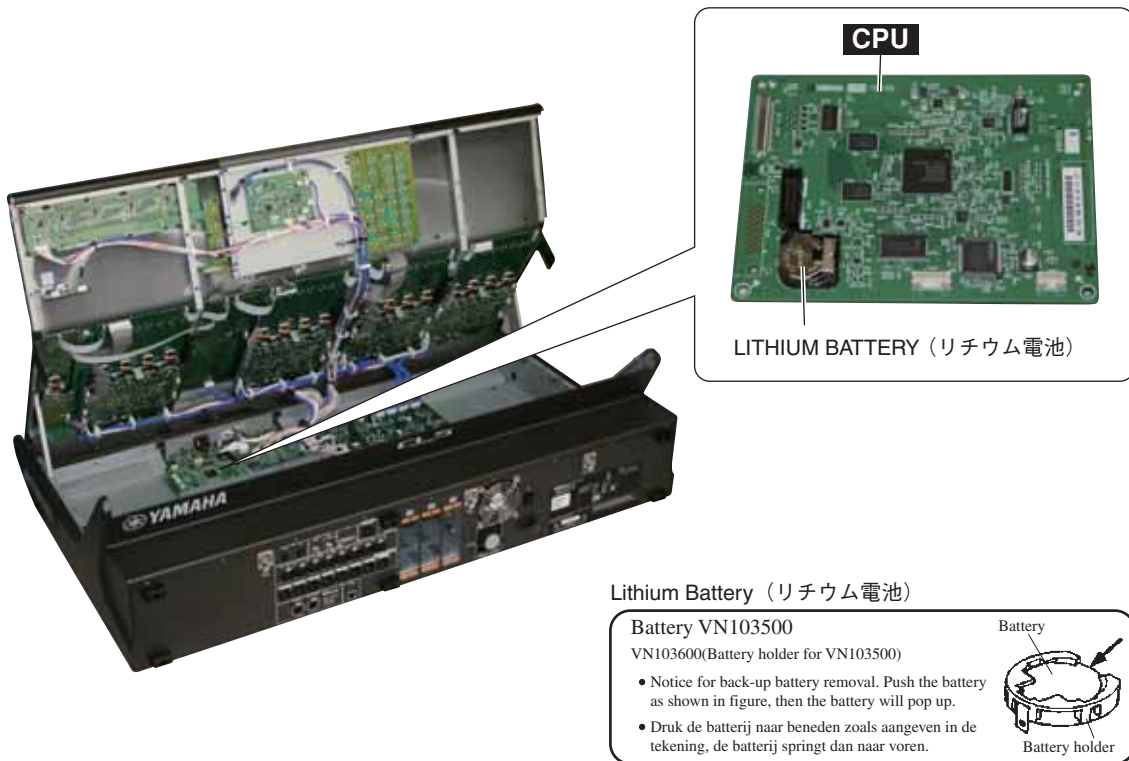


Photo 8 (写真 8)

A. Disassembly Procedure of Bottom U3 Assembly

A-1. Rear Upper U3

(Time required: About 9 minutes)

A-1-1. Open the control panel U3 assembly and secure with the service stays. (See procedure 1)

A-1-2. Remove the nine (9) screws marked [1030] and the seven (7) screws marked [1040]. The rear upper U3 can then be removed. (Photo 9)

* **When installing the rear upper U3, tighten the screw ① shown in Photo 9 and then tighten the other screws.**

A. ボトム U3 Ass'y 部の分解

A-1. リア上パネ U3

(所要時間：約 9 分)

A-1-1. コンパネ U3 Ass'y を開けて、サービスステイで固定します。(1 項参照)

A-1-2. [1030] のネジ 9 本と [1040] のネジ 7 本を外して、リア上パネ U3 を外します。(写真 9)

※ リア上パネ U3 を取り付ける際は、写真 9 に示す ① のネジを締めてから他のネジを締めてください。

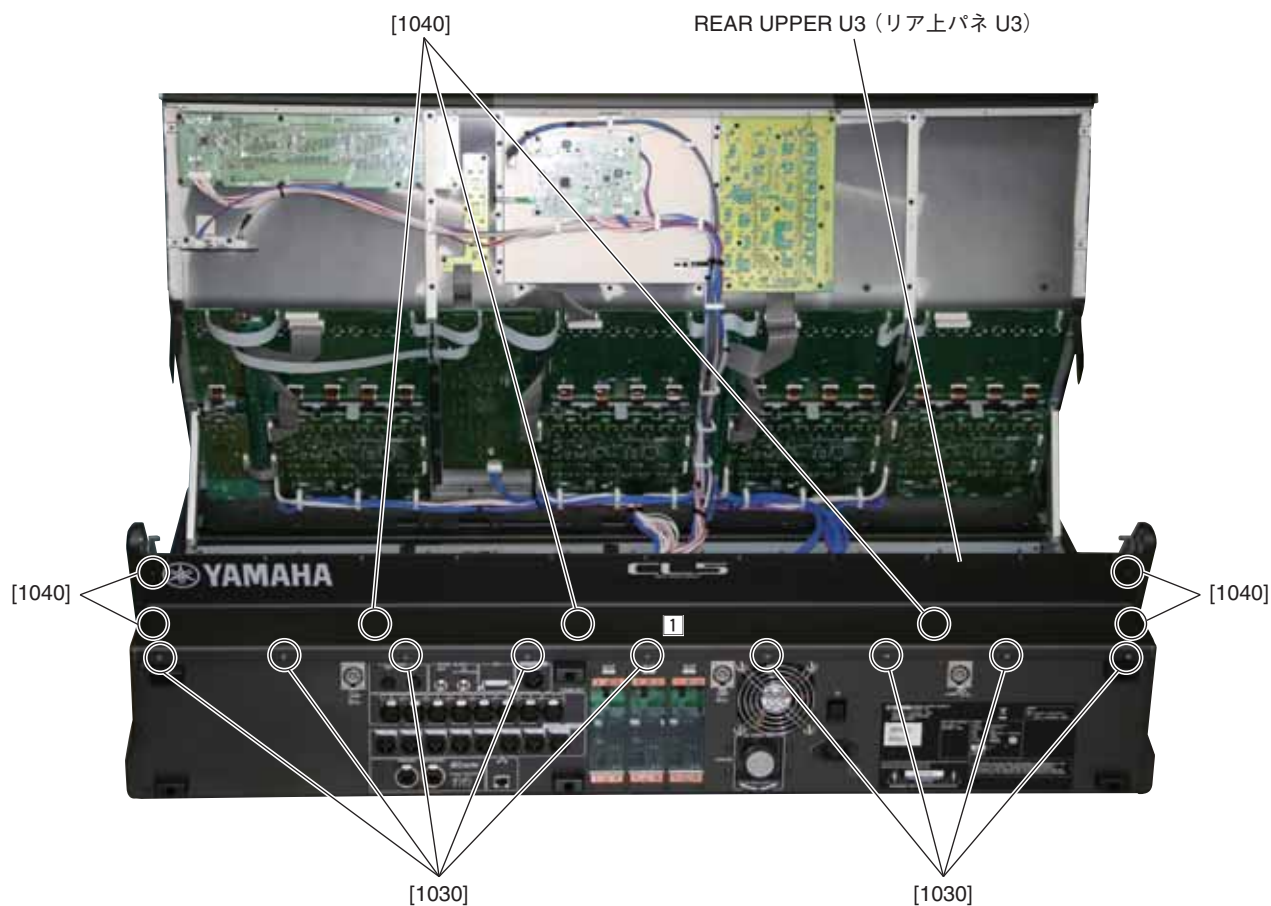


Photo 9 (写真 9)

A-2. DCMS Circuit Board (Time required: About 7 minutes)

A-2-1. Open the control panel U3 assembly and secure with the service stays. (See procedure 1)

A-2-2. Remove the nine (9) screws marked [410]. The DCMS circuit board can then be removed. (Photo 10)

* **When installing the DCMS circuit board, tighten the screw ① shown in Photo 10 and then tighten the other screws.**

A-2. DCMS シート (所要時間：約7分)

A-2-1. コンパネ U3 Ass'y を開けて、サービスステイで固定します。(1項参照)

A-2-2. [410] のネジ 9 本を外して、DCMS シートを外します。(写真 10)

※ DCMS シートを取り付ける際は、写真 10 に示す ① のネジを締めてから他のネジを締めてください。

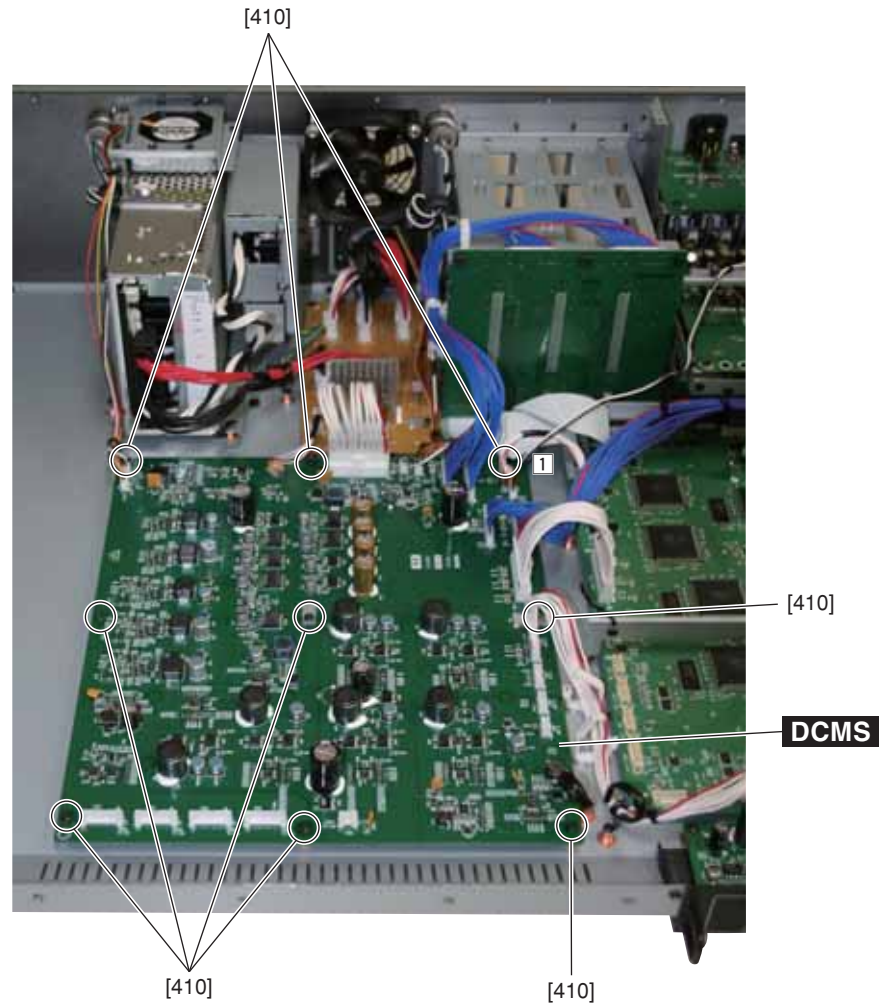


Photo 10 (写真 10)

A-3. CPU Circuit Board (Time required: About 7 minutes)

A-3-1. Open the control panel U3 assembly and secure with the service stays. (See procedure 1)

A-3-2. Remove the four (4) screws marked [910]. The CPU circuit board can then be removed. (Photo 11)

* **IC204 on CPU circuit board: MRAM (Magneto resistive Random Access Memory) is a storage element using magnetism. Keep any magnetic item such as a screwdriver away from it as the magnetic force of such item may cause damage to the data of IC204 and the IC itself.**

* **MAC (Media Access Control) address is stored in the CPU circuit board. If the CPU circuit board is replaced, MAC address will be changed.**

A-4. FX Circuit Board (Time required: About 7 minutes)

A-4-1. Open the control panel U3 assembly and secure with the service stays. (See procedure 1)

A-4-2. Remove the four (4) screws marked [930]. The FX circuit board can then be removed. (Photo 11)

A-3. CPU シート (所要時間：約 7 分)

A-3-1. コンパネ U3 Ass'y を開けて、サービスステイで固定します。(1 項参照)

A-3-2. [910] のネジ 4 本を外して、CPU シートを外します。(写真 11)

※ CPU シートの IC204 : MRAM (Magneto resistive Random Access Memory : 磁気抵抗ランダム・アクセス・メモリー) は、磁気を利用した記憶素子の為、ドライバーなど磁気を帯びたものを近づけないでください。IC204 のデータや IC 自身が壊れる恐れがあります。

※ CPU シートには、MAC (Media Access Control) アドレスが設定されています。CPU シートを交換すると、MAC アドレスが変更されます。

A-4. FX シート (所要時間：約 7 分)

A-4-1. コンパネ U3 Ass'y を開けて、サービスステイで固定します。(1 項参照)

A-4-2. [930] のネジ 4 本を外して、FX シートを外します。(写真 11)

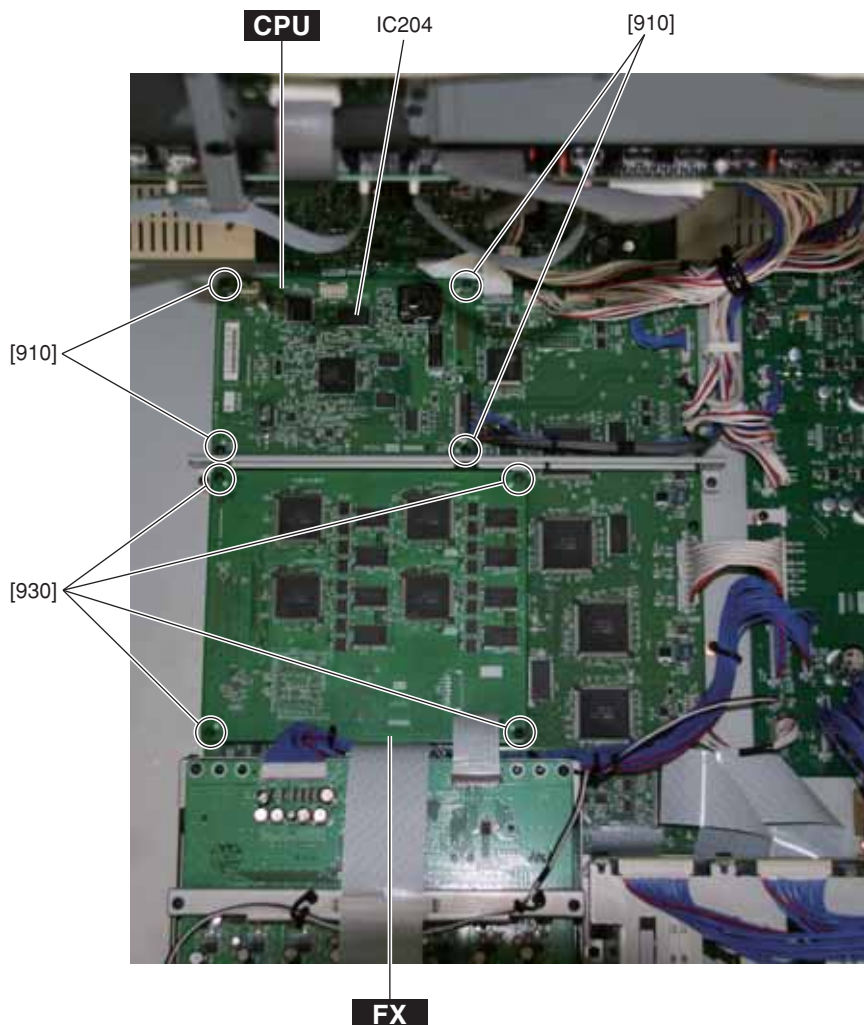


Photo 11 (写真 11)

A-5. JK Sheet Assembly (Time required: About 10 minutes)

- A-5-1. Open the control panel U3 assembly and secure with the service stays. (See procedure 1)
- A-5-2. Remove the rear upper U3. (See procedure A-1)
- A-5-3. Remove the four (4) screws marked [850], the two (2) screws marked [860A], the two (2) hexagonal nuts marked [N1] and the two (2) screws marked [860B]. The JK sheet assembly can then be removed. (Photo 12)

A-6. HAAD Circuit Board (Time required: About 12 minutes)

- A-6-1. Open the control panel U3 assembly and secure with the service stays. (See procedure 1)
- A-6-2. Remove the rear upper U3. (See procedure A-1)
- A-6-3. Remove the two (2) screws marked [835]. The FFC angle FR can then be removed. (Photo 13)
- A-6-4. Remove the sixteen (16) screws marked [750] and the two (2) screws marked [755]. The HAAD circuit board can then be removed. (Photo 13)

A-5. JK シート Ass'y (所要時間: 約 10 分)

- A-5-1. コンパネ U3 Ass'yを開けて、サービスステイで固定します。(1項参照)
- A-5-2. リア上パネ U3 を外します。(A-1 項参照)
- A-5-3. [850] のネジ 4 本、[860A] のネジ 2 本、[N1] の六角ナット 2 本と [860B] のネジ 2 本を外して、JK シート Ass'y を外します。(写真 12)

A-6. HAAD シート (所要時間: 約 12 分)

- A-6-1. コンパネ U3 Ass'yを開けて、サービスステイで固定します。(1項参照)
- A-6-2. リア上パネ U3 を外します。(A-1 項参照)
- A-6-3. [835] のネジ 2 本を外して、FFC アングル FR を外します。(写真 13)
- A-6-4. [750] のネジ 16 本と [755] のネジ 2 本を外して、HAAD シートを外します。(写真 13)

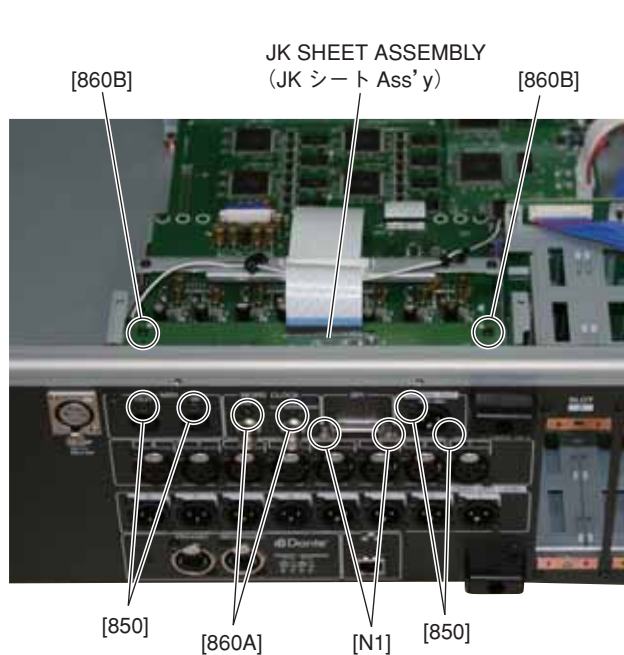


Photo 12 (写真 12)

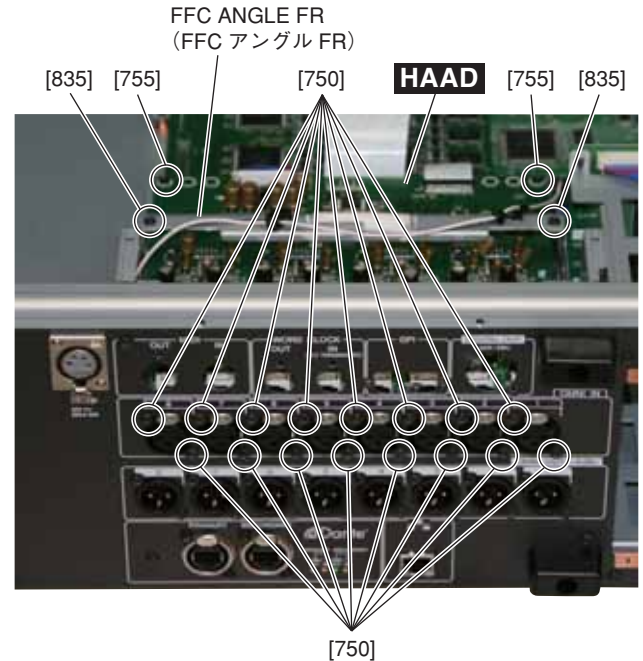


Photo 13 (写真 13)

A-7. DSP Circuit Board (Time required: About 15 minutes)

- A-7-1. Open the control panel U3 assembly and secure with the service stays. (See procedure 1)
- A-7-2. Remove the CPU circuit board. (See procedure A-3)
- A-7-3. Remove the FX circuit board. (See procedure A-4)
- A-7-4. Remove the rear upper U3. (See procedure A-1)
- A-7-5. Remove the HAAD circuit board. (See procedure A-6)
- A-7-6. Remove the two (2) screws marked [490]. The CPUFX bracket can then be removed. (Fig. 3)
- A-7-7. Remove the five (5) hexagonal spacers marked [430] and the five (5) screws marked [450]. The DSP circuit board can then be removed. (Fig. 3)

* **When installing the DSP circuit board, tighten the screw ① shown in Fig. 3 and then tighten the other screws.**

A-7. DSP シート (所要時間：約 15 分)

- A-7-1. コンパネ U3 Ass'y を開けて、サービスステイで固定します。(1 項参照)
 - A-7-2. CPU シートを外します。(A-3 項参照)
 - A-7-3. FX シートを外します。(A-4 項参照)
 - A-7-4. リア上パネ U3 を外します。(A-1 項参照)
 - A-7-5. HAAD シートを外します。(A-6 項参照)
 - A-7-6. [490] のネジ 2 本を外して、CPUFX 固定金具を外します。(図 3)
 - A-7-7. [430] の六角スペーサ 5 本と [450] のネジ 5 本を外して、DSP シートを外します。(図 3)
- ※ DSP シートを取り付ける際は、図 3 に示す ① のネジを締めてから他のネジを締めてください。

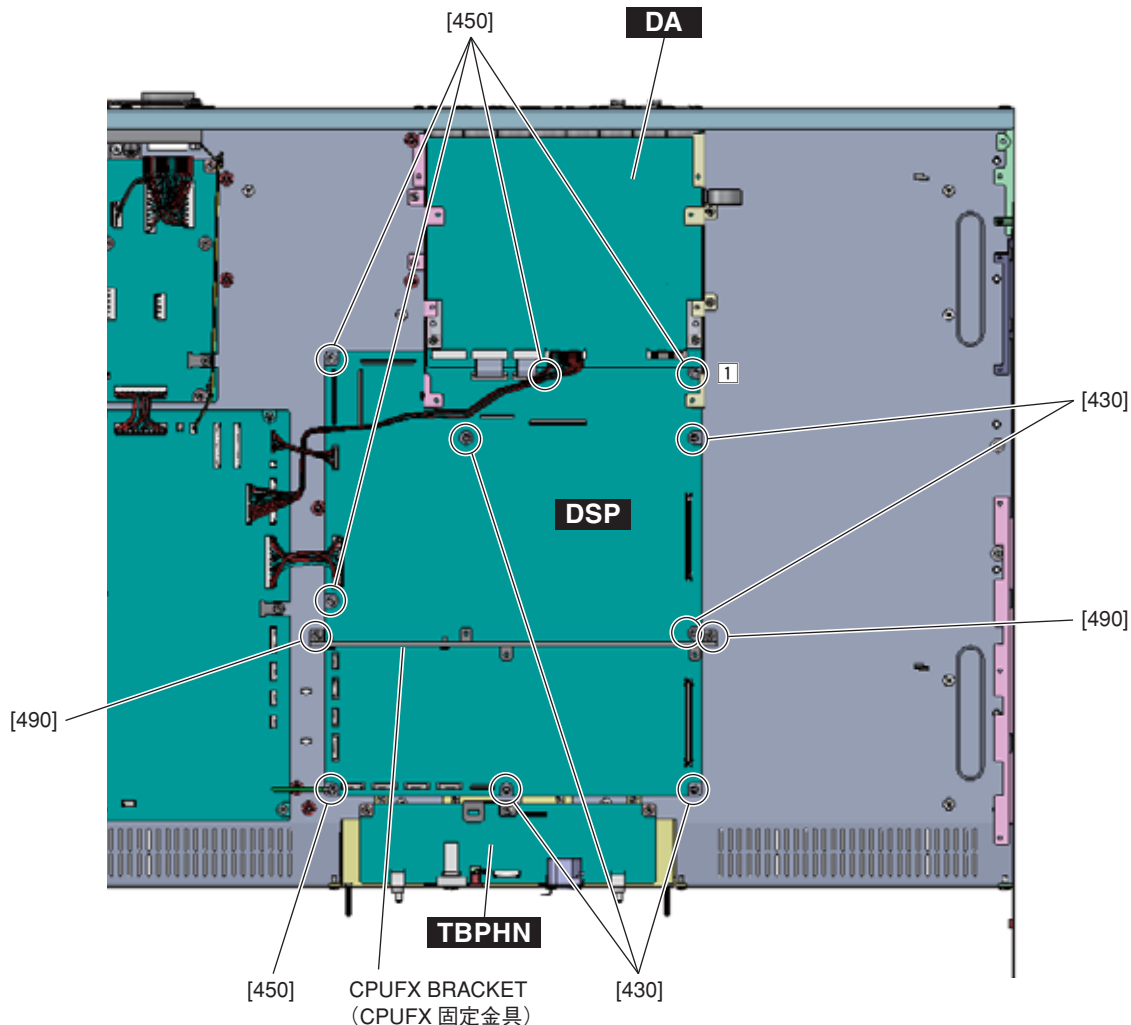


Fig. 3 (図 3)

A-8. DA Circuit Board (Time required: About 17 minutes)

- A-8-1. Open the control panel U3 assembly and secure with the service stays. (See procedure 1)
- A-8-2. Remove the rear upper U3. (See procedure A-1)
- A-8-3. Remove the JK sheet assembly. (See procedure A-5)
- A-8-4. Remove the HAAD circuit board. (See procedure A-6)
- A-8-5. Remove the sixteen (16) screws marked [700] and the two (2) screws marked [705]. The DA circuit board can then be removed. (Photo 14)

A-8. DA シート (所要時間：約 17 分)

- A-8-1. コンパネ U3 Ass'y を開けて、サービスステイで固定します。(1 項参照)
- A-8-2. リア上パネ U3 を外します。(A-1 項参照)
- A-8-3. JK シート Ass'y を外します。(A-5 項参照)
- A-8-4. HAAD シートを外します。(A-6 項参照)
- A-8-5. [700] のネジ 16 本と [705] のネジ 2 本を外して、DA シートを外します。(写真 14)

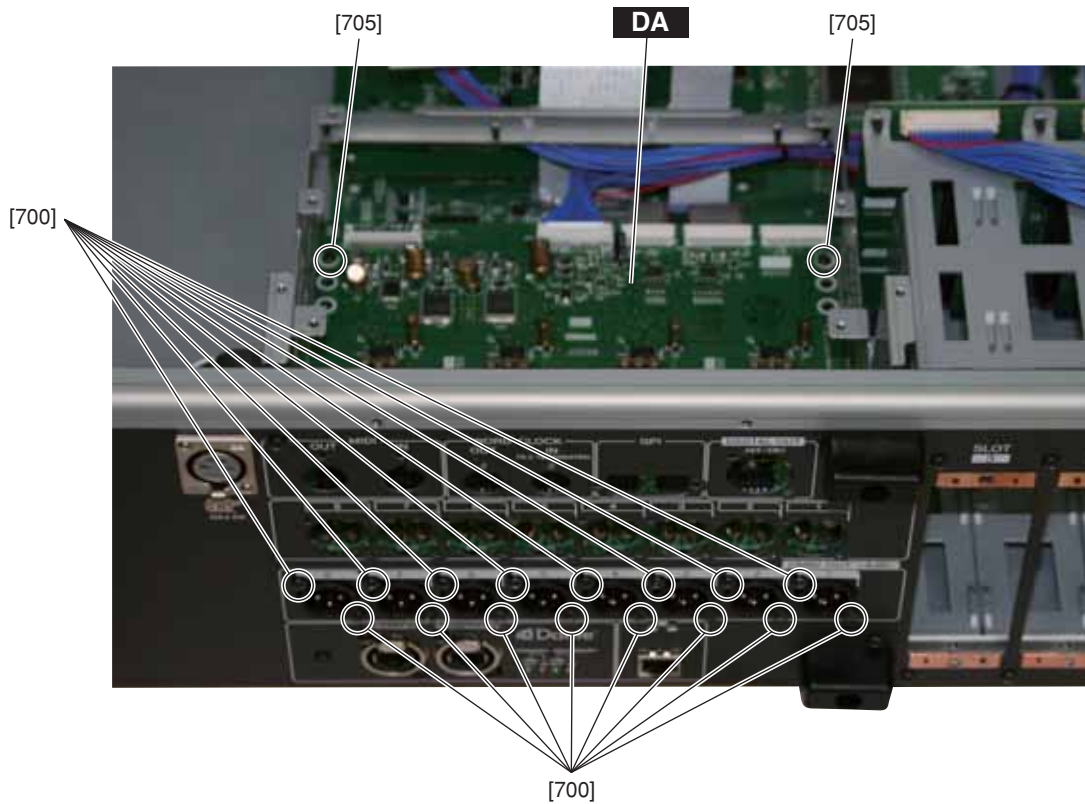


Photo 14 (写真 14)

A-9. DNTU Circuit Board, DANTE Module 64ch (Time required: About 18 minutes)

- A-9-1. Open the control panel U3 assembly and secure with the service stays. (See procedure 1)
- A-9-2. Remove the rear upper U3. (See procedure A-1)
- A-9-3. Remove the JK sheet assembly. (See procedure A-5)
- A-9-4. Remove the HAAD circuit board. (See procedure A-6)
- A-9-5. Remove the DA circuit board. (See procedure A-8)
- A-9-6. Remove the two (2) screws marked [680A] and the two (2) screws marked [680B]. The sheet bracket R can then be removed. (Photo 15, Photo 16)
- A-9-7. Remove the four (4) screws marked [595] and the three (3) screws marked [600]. The DNTU circuit board can then be removed. (Photo 15, Photo 16)
- * **MAC (Media Access Control) address is stored in the DNTU circuit board. If the DNTU circuit board is replaced, MAC address will be changed.**
- A-9-8. To remove the DANTE module 64ch on the DNTU circuit board, open the hooks on the portion D outward as in Photo 17, lift the DANTE module 64ch and pull out obliquely upward.
- * **To install the DANTE module 64ch, insert securely until the terminal cannot be seen while fitting the contact point of the terminal to the connector to be connected, push in backward and fasten with the hooks.**
 - * **Servicing parts of DANTE module are not under the version control.**
- After replacing DANTE module, be sure to update the firmware.**



[680A] [595] [595]
Photo 15 (写真 15)

A-9. DNTU シート、ダンテモジュール (所要時間：約 18 分)

- A-9-1. コンパネ U3 Ass'y を開けて、サービスステイで固定します。(1 項参照)
- A-9-2. リア上パネ U3 を外します。(A-1 項参照)
- A-9-3. JK シート Ass'y を外します。(A-5 項参照)
- A-9-4. HAAD シートを外します。(A-6 項参照)
- A-9-5. DA シートを外します。(A-8 項参照)
- A-9-6. [680A] のネジ 2 本と [680B] のネジ 2 本を外して、基板固定金具 R を外します。(写真 15、写真 16)
- A-9-7. [595] のネジ 4 本と [600] のネジ 3 本を外して、DNTU シートを外します。(写真 15、写真 16)
- ※ DNTU シートには、MAC (Media Access Control) アドレスが設定されています。DNTU シートを交換すると、MAC アドレスが変更されます。
- A-9-8. DNTU シートに付いているダンテモジュールを外すには、写真 17 のように D 部のフックを外に開いてダンテモジュールを浮かせて、斜め上方向に引き抜きます。
- ※ ダンテモジュールを取り付けるには、差し込み先のコネクタに端子の接点を合わせながら端子が見えなくなるまでしっかりと差し込み、奥に押し込んでフックに引っ掛けます。
 - ※ ダンテモジュールのサービスパーツは、バージョン管理しておりません。ダンテモジュールを交換した際は、必ずファームウェアのアップデートを行ってください。

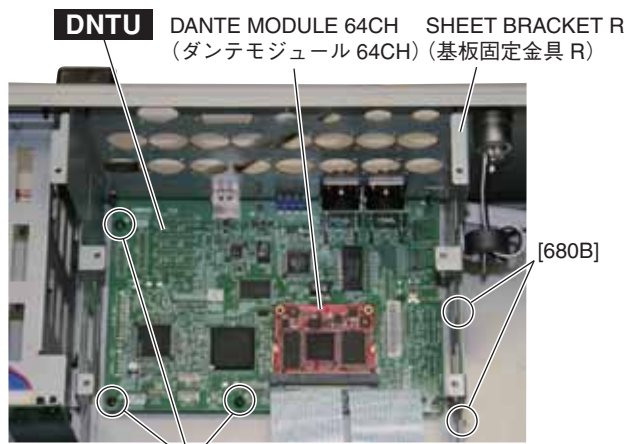


Photo 16 (写真 16)

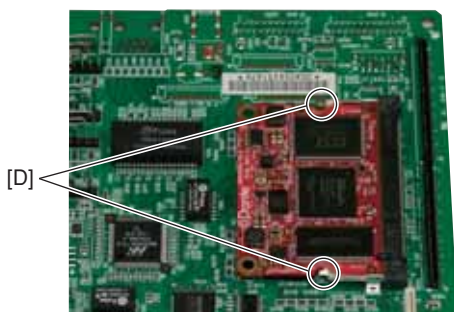


Photo 17 (写真 17)

A-10. AC Assembly

(Time required: About 10 minutes)

- A-10-1. Open the control panel U3 assembly and secure with the service stays. (See procedure 1)
- A-10-2. Remove the rear upper U3. (See procedure A-1)
- A-10-3. Remove the six (6) screws marked [270] and the screw marked [280]. The AC assembly can then be removed. (Photo 18, Photo 19)
- * **When installing the AC assembly, tighten the screw ① shown in Photo 18 and then tighten the other screws.**

A-11. PS Fan Assembly

(Time required: About 9 minutes)

- A-11-1. Open the control panel U3 assembly and secure with the service stays. (See procedure 1)
- A-11-2. Remove the rear upper U3. (See procedure A-1)
- A-11-3. Remove the three (3) screws marked [160]. The PS fan assembly can then be removed. (Photo 19)

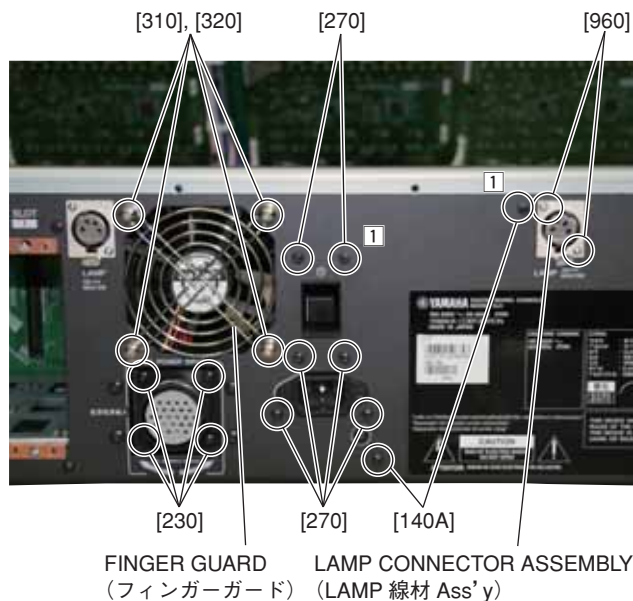


Photo 18 (写真 18)

A-12. DC Fan Motor

(Time required: About 9 minutes)

- A-12-1. Open the control panel U3 assembly and secure with the service stays. (See procedure 1)
- A-12-2. Remove the rear upper U3. (See procedure A-1)
- A-12-3. Remove the four (4) screws marked [310], the four (4) washers marked [320] and the four (4) nuts marked [330]. The DC fan motor and the finger guard can then be removed. (Photo 18, Photo 19)

A-10. AC アセンブリ

(所要時間: 約 10 分)

- A-10-1. コンパネ U3 Ass'y を開けて、サービスステイで固定します。(1 項参照)
- A-10-2. リア上パネ U3 を外します。(A-1 項参照)
- A-10-3. [270] のネジ 6 本と [280] のネジ 1 本を外して、AC アセンブリを外します。(写真 18、写真 19)
- ※ AC アセンブリを取り付ける際は、写真 18 に示す ① のネジを締めてから他のネジを締めてください。

A-11. PS ファン Ass'y

(所要時間: 約 9 分)

- A-11-1. コンパネ U3 Ass'y を開けて、サービスステイで固定します。(1 項参照)
- A-11-2. リア上パネ U3 を外します。(A-1 項参照)
- A-11-3. [160] のネジ 3 本を外して、PS ファン Ass'y を外します。(写真 19)

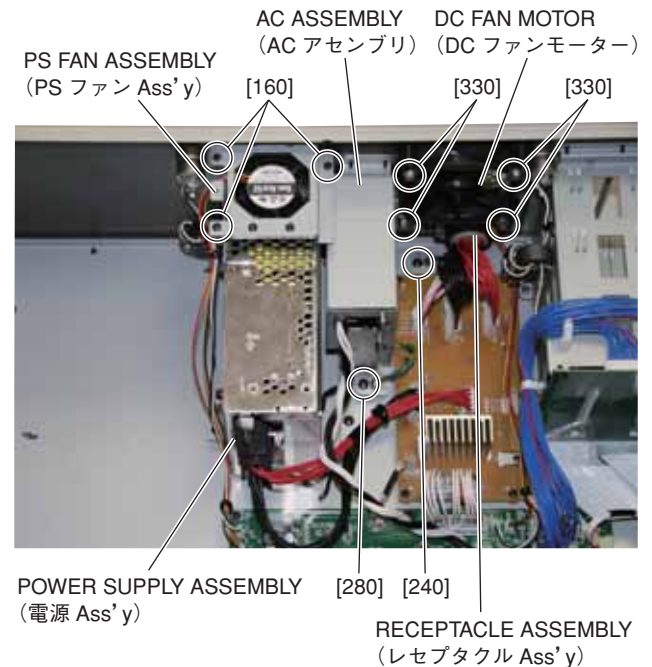


Photo 19 (写真 19)

A-12. DC ファンモーター

(所要時間: 約 9 分)

- A-12-1. コンパネ U3 Ass'y を開けて、サービスステイで固定します。(1 項参照)
- A-12-2. リア上パネ U3 を外します。(A-1 項参照)
- A-12-3. [310] のネジ 4 本、[320] の平座金 4 個と [330] の六角ナット 4 個を外して、DC ファンモーターとフィンガーガードを外します。(写真 18、写真 19)

A-13. Receptacle Assembly

(Time required: About 9 minutes)

- A-13-1. Open the control panel U3 assembly and secure with the service stays. (See procedure 1)
- A-13-2. Remove the rear upper U3. (See procedure A-1)
- A-13-3. Remove the four (4) screws marked [230] and the screw marked [240]. The receptacle assembly can then be removed. (Photo 18, Photo 19)

A-14. Power Supply Assembly

(Time required: About 11 minutes)

- A-14-1. Open the control panel U3 assembly and secure with the service stays. (See procedure 1)
- A-14-2. Remove the rear upper U3. (See procedure A-1)
- A-14-3. Remove the AC assembly. (See procedure A-10)
- A-14-4. Remove the PS fan assembly. (See procedure A-11)
- A-14-5. Remove the two (2) screws marked [140A] and the five (5) screws marked [140B]. The power supply assembly can then be removed. (Photo 18, Fig. 4)

* **When installing the power supply assembly, tighten the screw ① shown in Photo 18 and then tighten the other screws.**

A-15. DC Circuit Board

(Time required: About 10 minutes)

- A-15-1. Open the control panel U3 assembly and secure with the service stays. (See procedure 1)
- A-15-2. Remove the rear upper U3. (See procedure A-1)
- A-15-3. Remove the seven (7) screws marked [190]. The DC circuit board can then be removed. (Fig. 4)

* **When installing the DC circuit board, tighten the screw ① shown in Fig. 4 and then tighten the other screws.**

A-13. レセプタクル Ass'y

(所要時間：約 9 分)

- A-13-1. コンパネ U3 Ass'y を開けて、サービスステイで固定します。(1 項参照)
- A-13-2. リア上パネ U3 を外します。(A-1 項参照)
- A-13-3. [230] のネジ 4 本と [240] のネジ 1 本を外して、レセプタクル Ass'y を外します。(写真 18、写真 19)

A-14. 電源 Ass'y

(所要時間：約 11 分)

- A-14-1. コンパネ U3 Ass'y を開けて、サービスステイで固定します。(1 項参照)
- A-14-2. リア上パネ U3 を外します。(A-1 項参照)
- A-14-3. AC アセンブリを外します。(A-10 項参照)
- A-14-4. PS ファン Ass'y を外します。(A-11 項参照)
- A-14-5. [140A] のネジ 2 本と [140B] のネジ 5 本を外して、電源 Ass'y を外します。(写真 18、図 4)

※ 電源 Ass'y を取り付ける際は、写真 18 に示す ① のネジを締めてから他のネジを締めてください。

A-15. DC シート

(所要時間：約 10 分)

- A-15-1. コンパネ U3 Ass'y を開けて、サービスステイで固定します。(1 項参照)
- A-15-2. リア上パネ U3 を外します。(A-1 項参照)
- A-15-3. [190] のネジ 7 本を外して、DC シートを外します。(図 4)

※ DC シートを取り付ける際は、図 4 に示す ① のネジを締めてから他のネジを締めてください。

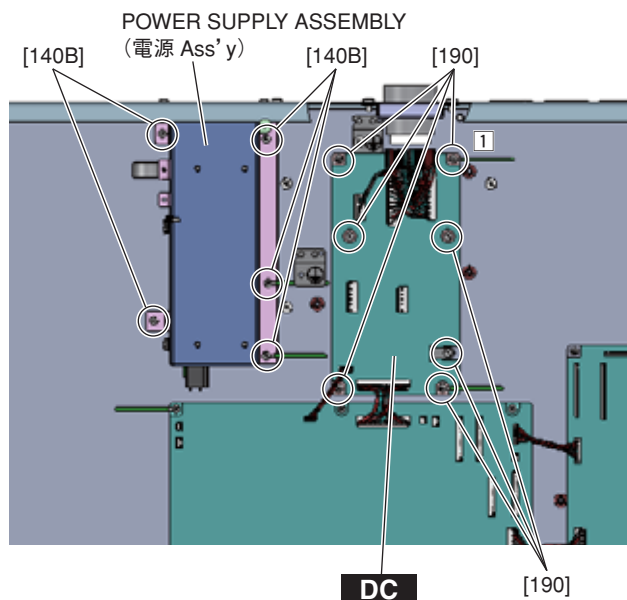


Fig. 4 (図 4)

A-16. OPT Circuit Board

(Time required: About 7 minutes)

- A-16-1. Open the control panel U3 assembly and secure with the service stays. (See procedure 1)
- A-16-2. Remove the three (3) screws marked [190]. (Photo 20)
- A-16-3. Remove the three (3) hooks marked [E]. The OPT circuit board can then be removed. (Photo 20)

A-17. LAMP Connector Assembly

(Time required: About 9 minutes)

- A-17-1. Open the control panel U3 assembly and secure with the service stays. (See procedure 1)
- A-17-2. Remove the rear upper U3. (See procedure A-1)
- A-17-3. Remove the two (2) screws marked [960]. The LAMP connector assembly can then be removed. (Photo 18)

A-18. TBPHN Sheet Assembly

(Time required: About 8 minutes)

- A-18-1. Remove the control panel U3 assembly. (See procedure 1)
- A-18-2. Remove the two (2) knobs marked [550]. (Photo 21)
- A-18-3. Remove the two (2) hexagonal nuts marked [510]. (Photo 21)
- A-18-4. Remove the three (3) screws marked [530A] and the three (3) screws marked [530B]. The TBPHN sheet assembly can then be removed. (Photo 21)

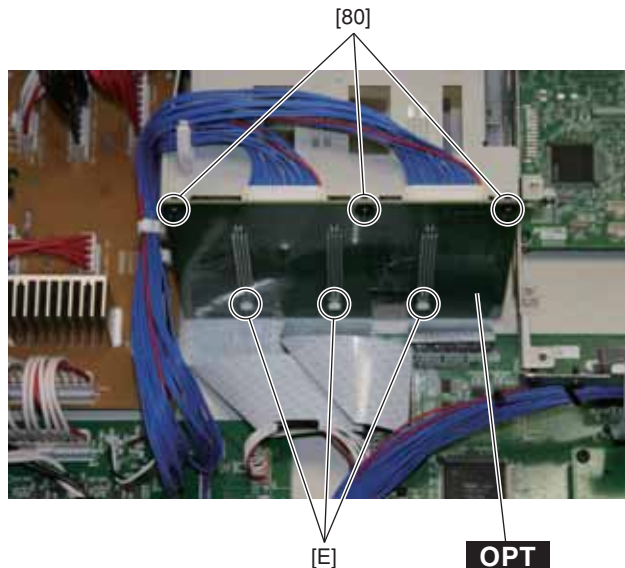


Photo 20 (写真 20)

A-16. OPT シート

(所要時間: 約 7 分)

- A-16-1. コンパネ U3 Ass'y を開けて、サービスステイで固定します。(1 項参照)
- A-16-2. [80] のネジ 3 本を外します。(写真 20)
- A-16-3. [E] のフック 3 箇所を外して、OPT シートを外します。(写真 20)

A-17. LAMP 線材 Ass'y

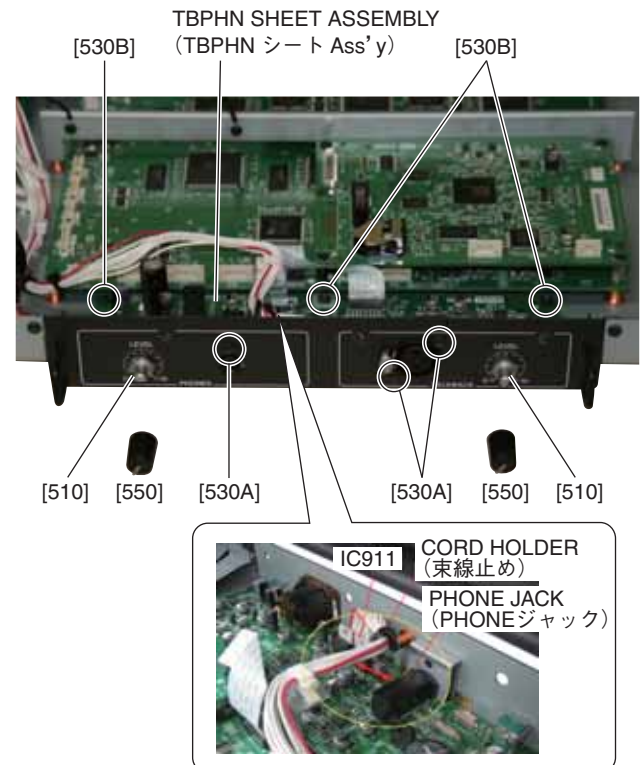
(所要時間: 約 9 分)

- A-17-1. コンパネ U3 Ass'y を開けて、サービスステイで固定します。(1 項参照)
- A-17-2. リア上パネ U3 を外します。(A-1 項参照)
- A-17-3. [960] のネジ 2 本を外して、線材 Ass'y (LAMP) を外します。(写真 18)

A-18. TBPHN シート Ass'y

(所要時間: 約 8 分)

- A-18-1. コンパネ U3 Ass'y を外します。(1 項参照)
- A-18-2. [550] のノブ 2 個を外します。(写真 21)
- A-18-3. [510] の特殊六角ナット 2 個を外します。(写真 21)
- A-18-4. [530A] のネジ 3 本と [530B] のネジ 3 本を外して、TBPHN シート Ass'y を外します。(写真 21)



Adjust the cord holder so that the cord is about 10mm apart from the PHONE jack (so that the cord will not contact IC911 on the other side).

束線をPHONEジャックから10mm程度離すよう束線止めにて成形すること(反対側のIC911に束線が接触しないようにすること)

Photo 21 (写真 21)

A-19. Side Pad Assembly**(Time required: About 10 minutes)**

A-19-1. Remove the control panel U3 assembly.

(See procedure 1)

A-19-2. Remove the rear upper U3. (See procedure A-1)

A-19-3. Remove the six (6) screws marked [990], the screw marked [995] and the plain washer marked [1000].

The side pad assembly L can then be removed. (Photo 22)

* **The side pad assembly R can be removed in the same way.****A-19. サイドパッド Ass'y****(所要時間：約 10 分)**

A-19-1. コンパネ U3 Ass'y を外します。(1 項参照)

A-19-2. リア上パネ U3 を外します。(A-1 項参照)

A-19-3. [990] のネジ 6 本、[995] のネジ 1 本と [1000] の平座金を 1 個外して、サイドパッド Ass'y L を外します。(写真 22)

※ サイドパッド Ass'y R も同様に外すことができます。

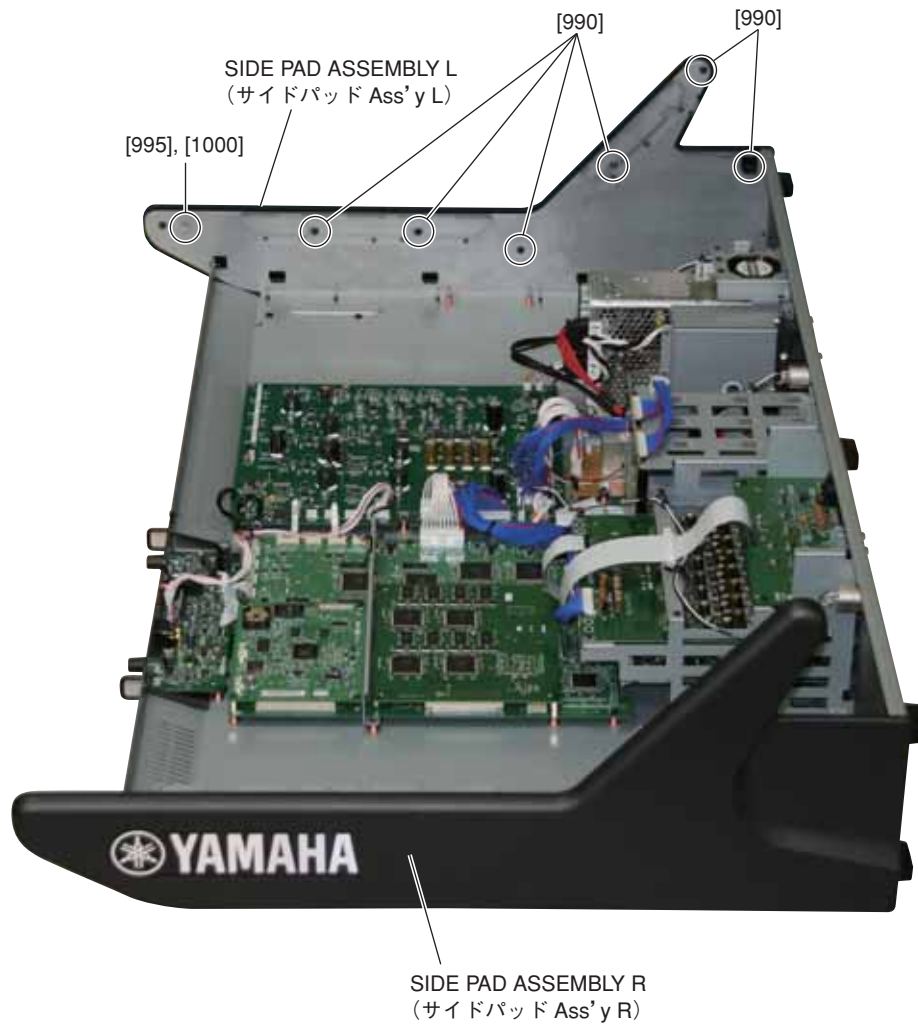


Photo 22 (写真 22)

B. Disassembly Procedure of Control Panel U3 Assembly

B-1. LCDC Circuit Board

(Time required: About 7 minutes)

- B-1-1. Remove the control panel U3 assembly.
(See procedure 1)
- B-1-2. Remove the four (4) screws marked [270]. The LCDC circuit board can then be removed. (Fig. 5)

B. コンパネ U3 Ass'y の分解

B-1. LCDC シート

(所要時間：約7分)

- B-1-1. コンパネ U3 Ass'y を外します。(1項参照)
- B-1-2. [270] のネジ 4 本を外して、LCDC シートを外します。(図5)

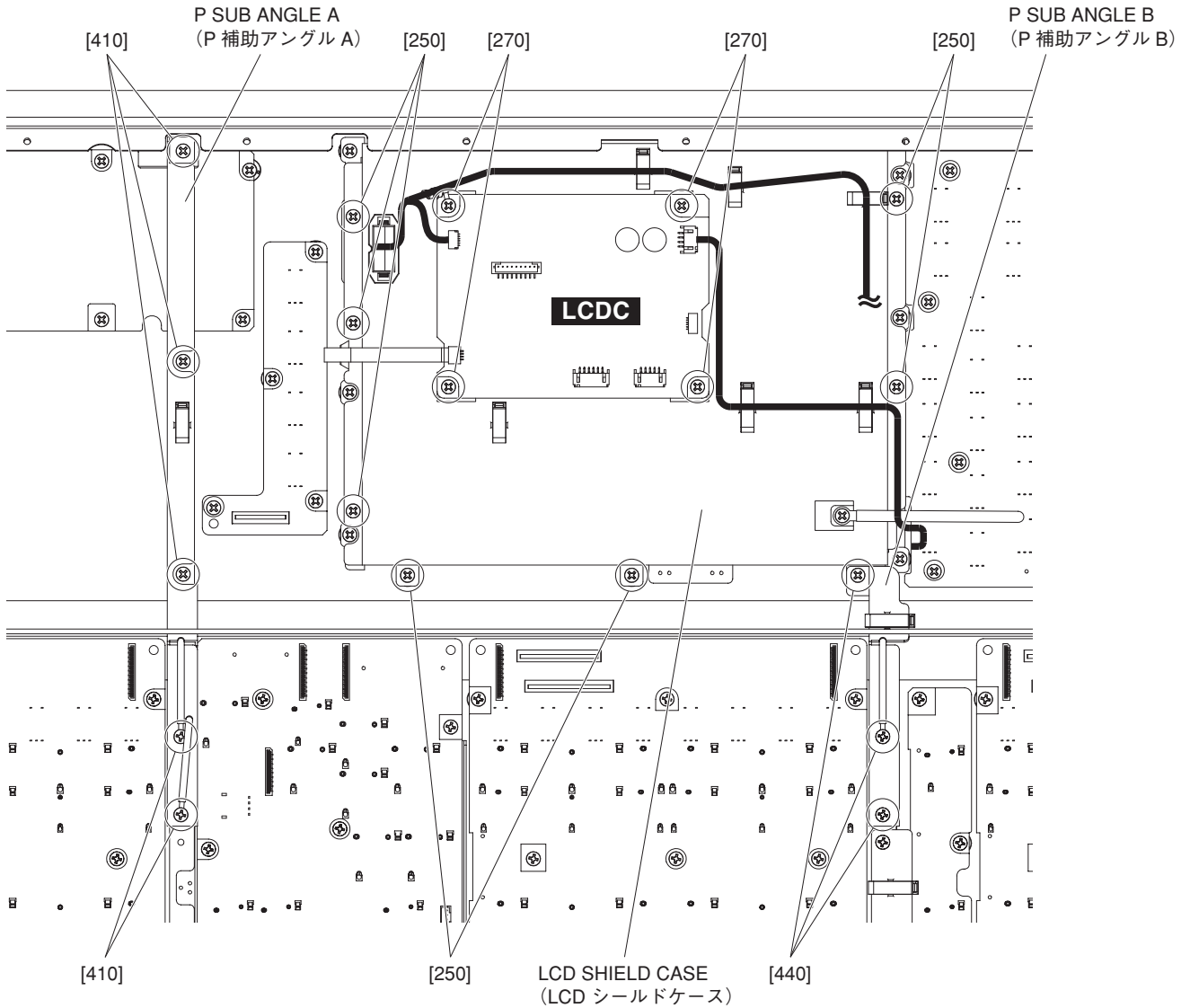


Fig. 5 (図5)

B-2. LCD U Assembly**(Time required: About 10 minutes)**

- B-2-1. Remove the control panel U3 assembly.
(See procedure 1)
- B-2-2. Remove the LCDC circuit board. (See procedure B-1)
- B-2-3. Remove the three (3) screws marked [440]. The P sub angle B can then be removed. (Fig. 5)
- B-2-4. Remove the seven (7) screws marked [250]. The LCD shield case can then be removed. (Fig. 5)
- B-2-5. Remove the six (6) screws marked [210]. The LCD U assembly can then be removed. (Fig. 6)

* **When installing the LCD U assembly, be sure to apply it to the metal part of the panel shown in fig. 6 and then tighten the screw.**

B-3. MB Circuit Board**(Time required: About 8 minutes)**

- B-3-1. Remove the control panel U3 assembly.
(See procedure 1)
- B-3-2. Remove the five (5) screws marked [410]. The P sub angle A can then be removed. (Fig. 5)
- B-3-3. Remove the eight (8) screws marked [340]. The MB circuit board can then be removed. (Fig. 6)

* **When installing the MB circuit board, tighten screws in the order of 1 to 8 as shown in Fig. 6.**

B-2. LCD U Ass'y**(所要時間：約 10 分)**

- B-2-1. コンパネ U3 Ass'y を外します。(1 項参照)
- B-2-2. LCDC シートを外します。(B-1 項参照)
- B-2-3. [440] のネジ 3 本を外して、P 補助アングル B を外します。(図 5)
- B-2-4. [250] のネジ 7 本を外して、LCD シールドケースを外します。(図 5)
- B-2-5. [210] のネジ 6 本を外して、LCD U Ass'y を外します。(図 6)

※ **LCD U Ass'y** を取り付ける際は、図 6 に示すパネルの金具に当て付けてから、ネジを締めてください。

B-3. MB シート**(所要時間：約 8 分)**

- B-3-1. コンパネ U3 Ass'y を外します。(1 項参照)
- B-3-2. [410] のネジ 5 本を外して、P 補助アングル A を外します。(図 5)
- B-3-3. [340] のネジ 8 本を外して、MB シートを外します。(図 6)

※ **MB シート** を取り付ける際は、図 6 に示す 1 ~ 8 の順にネジを締めてください。

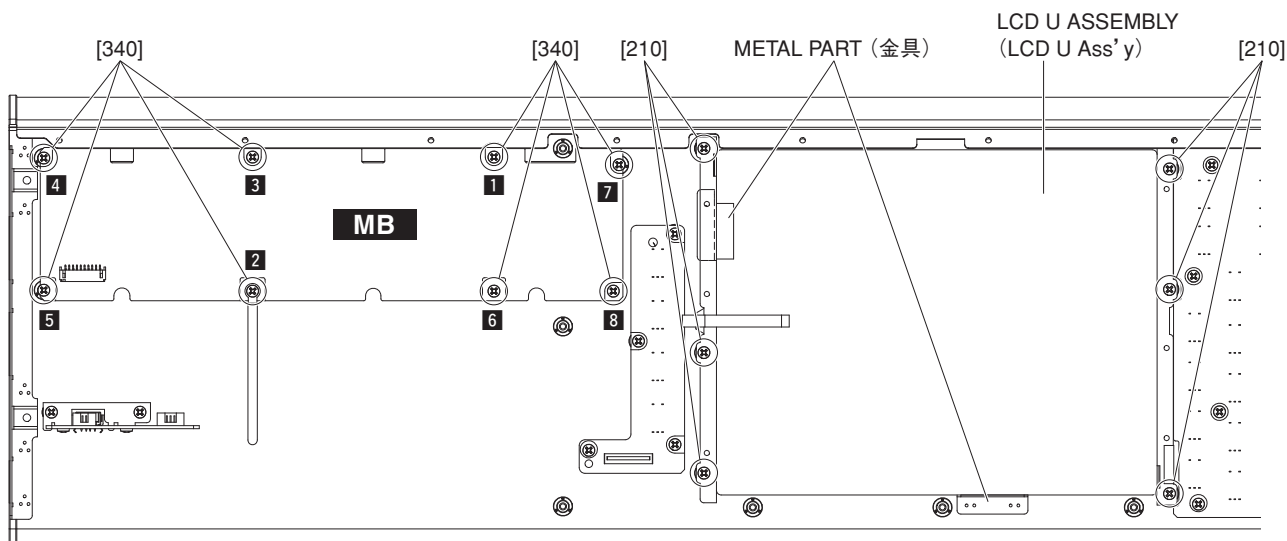


Fig. 6 (図 6)

B-4. PNENR Circuit Board (Time required: About 7 minutes)

- B-4-1. Remove the control panel U3 assembly.
(See procedure 1)
- B-4-2. Remove the four (4) encoder knobs marked [560A].
(Fig. 7)
- B-4-3. Remove the four (4) screws marked [310]. The
PNENR circuit board can then be removed. (Fig. 8)

* **When installing the PNENR circuit board, tighten the screws **1** and **2** shown in fig. 8 in numerical order and then tighten the other screws.**

B-4. PNENR シート (所要時間：約 7 分)

- B-4-1. コンパネ U3 Ass'y を外します。(1 項参照)
- B-4-2. [560A] のエンコーダーノブ 4 個を外します。(図 7)
- B-4-3. [310] のネジ 4 本を外して、PNENR シートを外します。(図 8)
- ※ PNENR シートを取り付ける際は、図 8 に示す **1**、**2** の順にネジを締めてから他のネジを締めてください。

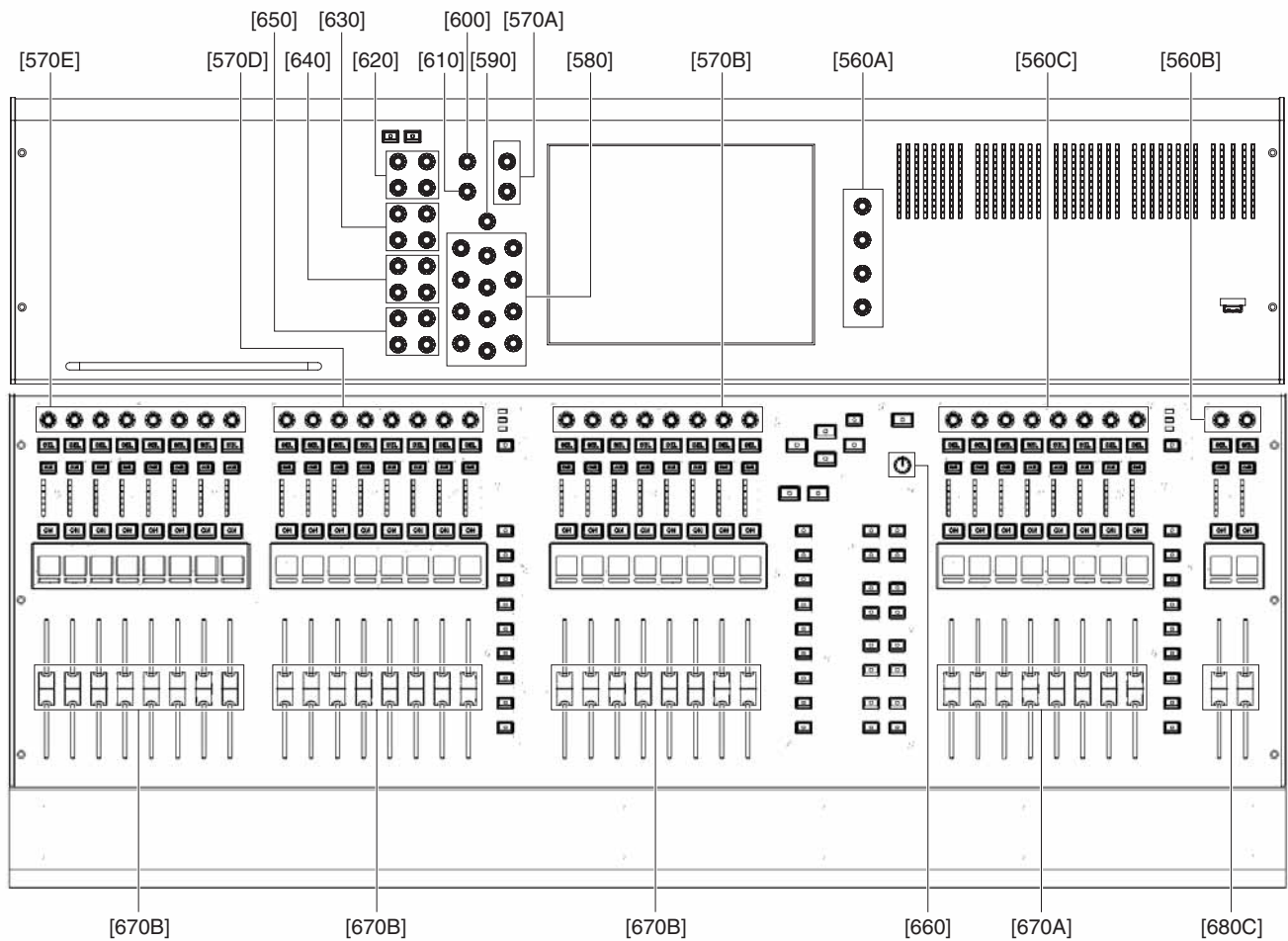


Fig. 7 (図 7)

B-5. PNENL Added Button (Time required: About 13 minutes)

- B-5-1. Remove the control panel U3 assembly.
(See procedure 1)
- B-5-2. Remove the two (2) encorder knobs marked [570A], the twelve (12) encorder knobs marked [580], the encorder knob marked [590], the encorder knob marked [600], the encorder knob marked [610], the four (4) encorder knobs marked [620], the four (4) encorder knobs marked [630], the four (4) encorder knobs marked [640] and the four (4) encorder knobs marked [650]. (Fig. 7)
- B-5-3. Remove the eleven (11) screws marked [290]. The PNENL added button can then be removed. (Fig. 8)
- * **When installing the PNENL added button, tighten the screws 1 and 2 shown in fig. 8 in numerical order and then tighten the other screws.**

B-6. USB Circuit Board (Time required: About 7 minutes)

- B-6-1. Remove the control panel U3 assembly.
(See procedure 1)
- B-6-2. Remove the two (2) screws marked [380A]. The USB circuit board can then be removed. (Fig. 8)
- * **When installing the USB circuit board, tighten the screws 1 and 2 shown in fig. 8 in numerical order.**
- B-6-3. Remove the two (2) screws marked [380B]. The USB circuit board and USB fixed angle can then be separated. (Fig. 8)
- * **When installing the USB fixed angle, tighten the screws 1 and 2 shown in fig. 8 in numerical order.**

B-5. PNENL ボタン付 (所要時間：約 13 分)

- B-5-1. コンパネ U3 Ass'y を外します。(1 項参照)
- B-5-2. [570A] のエンコーダーノブ 2 個、[580] のエンコーダーノブ 12 個、[590] のエンコーダーノブ 1 個、[600] のエンコーダーノブ 1 個、[610] のエンコーダーノブ 1 個、[620] のエンコーダーノブ 4 個、[630] のエンコーダーノブ 4 個、[640] のエンコーダーノブ 4 個、[650] のエンコーダーノブ 4 個を外します。(図 7)
- B-5-3. [290] のネジ 11 本を外して、PNENL ボタン付を外します。(図 8)
- ※ **PNENL ボタン付を取り付ける際は、図 8 に示す 1、2 の順にネジを締めてから他のネジを締めてください。**

B-6. USB シート (所要時間：約 7 分)

- B-6-1. コンパネ U3 Ass'y を外します。(1 項参照)
- B-6-2. [380A] のネジ 2 本を外して、USB シートを外します。(図 8)
- ※ **USB シートを取り付ける際は、図 8 に示す 1、2 の順にネジを締めてください。**
- B-6-3. [380B] のネジ 2 本を外して、USB シートから USB 固定金具を外します。(図 8)
- ※ **USB 固定金具を取り付ける際は、図 8 に示す 1、2 の順にネジを締めてください。**

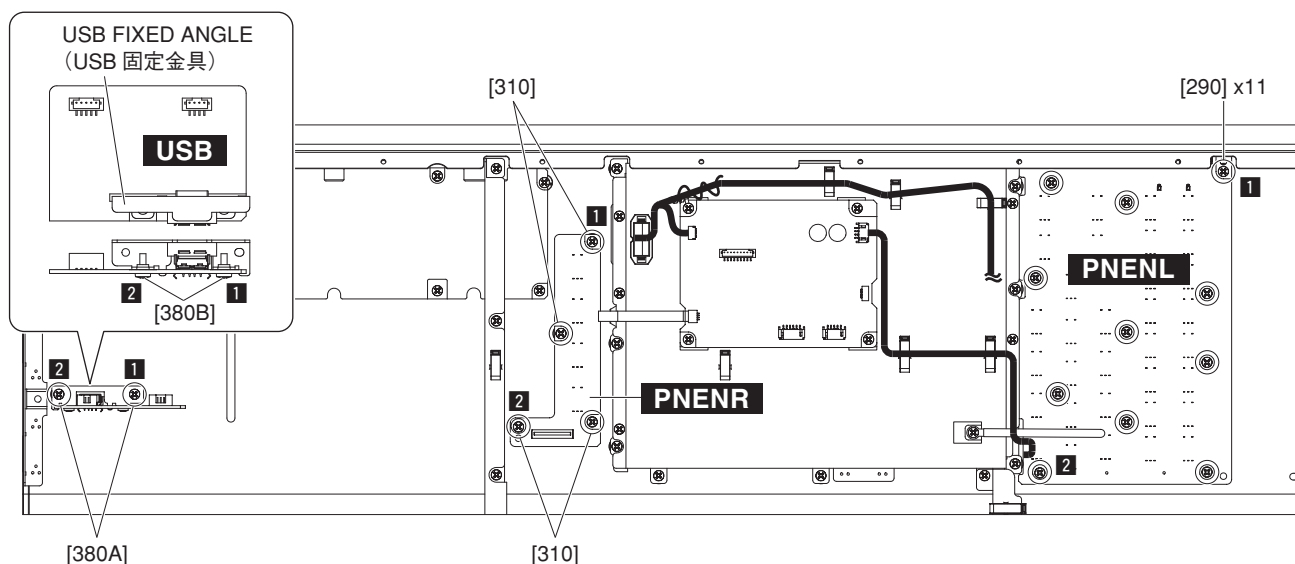


Fig. 8 (図 8)

B-7. FD2 Circuit Board (Time required: About 7 minutes)

- B-7-1. Remove the control panel U3 assembly.
(See procedure 1)
- B-7-2. Remove the two (2) fader knobs NR marked [680C].
(Fig. 7)
- B-7-3. Remove the four (4) screws marked [480A]. The FD2 circuit board can then be removed. (Fig. 9)

B-7. FD2 シート (所要時間：約7分)

- B-7-1. コンパネ U3 Ass'y を外します。(1項参照)
- B-7-2. [680C]のフェーダーノブNR2個を外します。(図7)
- B-7-3. [480A]のネジ4本を外して、FD2シートを外します。
(図9)

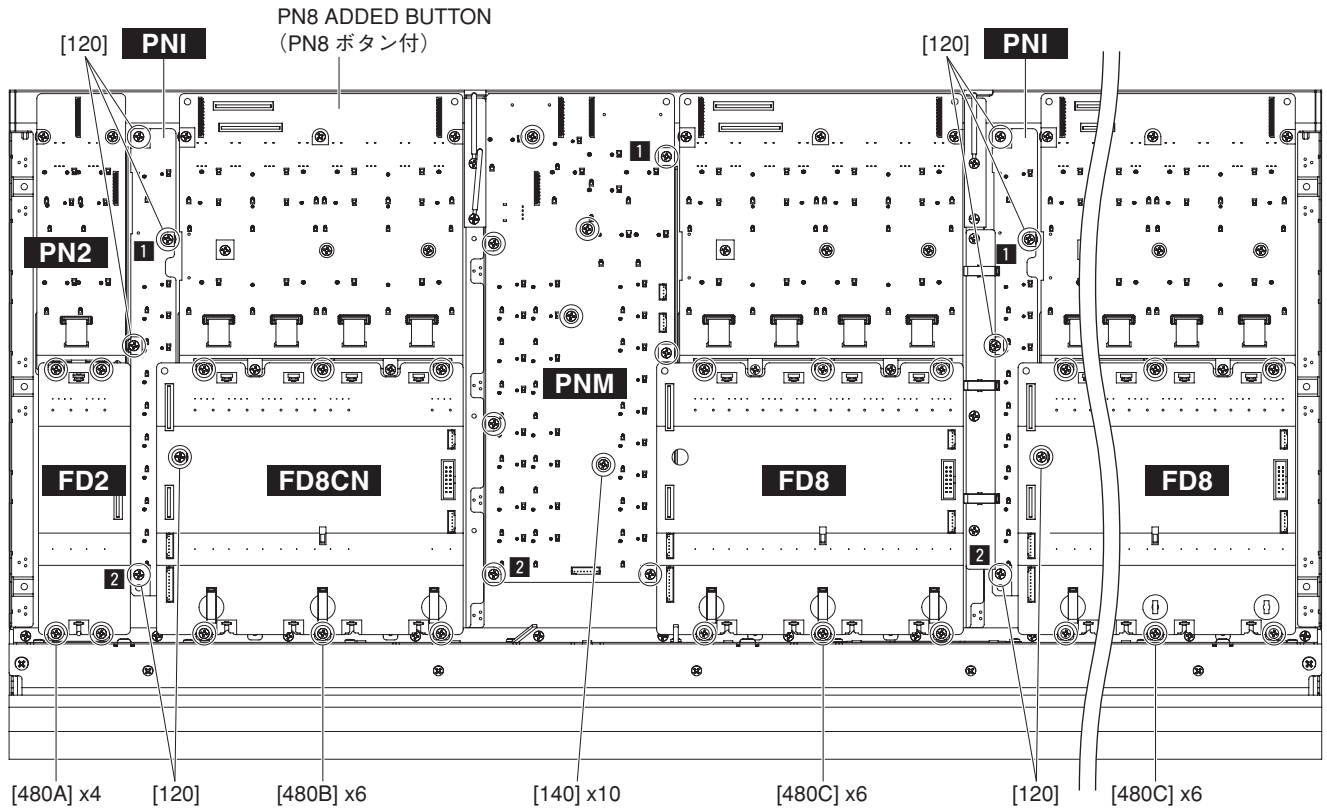


Fig. 9 (図9)

B-8. PN2 Circuit Board (Time required: About 8 minutes)

- B-8-1. Remove the control panel U3 assembly.
(See procedure 1)
- B-8-2. Remove the FD2 circuit board. (See procedure B-7)
- B-8-3. Remove the two (2) encoder knobs marked [560B].
(Fig. 7)
- B-8-4. Remove the screw marked [190]. The PN push angle 2 can then be removed. (Fig. 10)
- B-8-5. Remove the three (3) screws marked [100]. The PN2 circuit board can then be removed. (Fig. 10)

* **When installing the PN2 added button, tighten the screws **1** and **2** shown in fig. 10 in numerical order and then tighten the other screws.**

B-8. PN2 シート (所要時間：約 8 分)

- B-8-1. コンパネ U3 Ass'y を外します。(1 項参照)
- B-8-2. FD2 シートを外します。(B-7 項参照)
- B-8-3. [560B] のエンコーダーノブ 2 個を外します。(図 7)
- B-8-4. [190] のネジ 1 本を外して、PNPUSH 金具 2 を外します。(図 10)
- B-8-5. [100] のネジ 3 本を外して、PN2 シートを外します。(図 10)
- ※ **PN2 シートを取り付ける際は、図 10 に示す **1**、**2** の順にネジを締めてから他のネジを締めてください。**

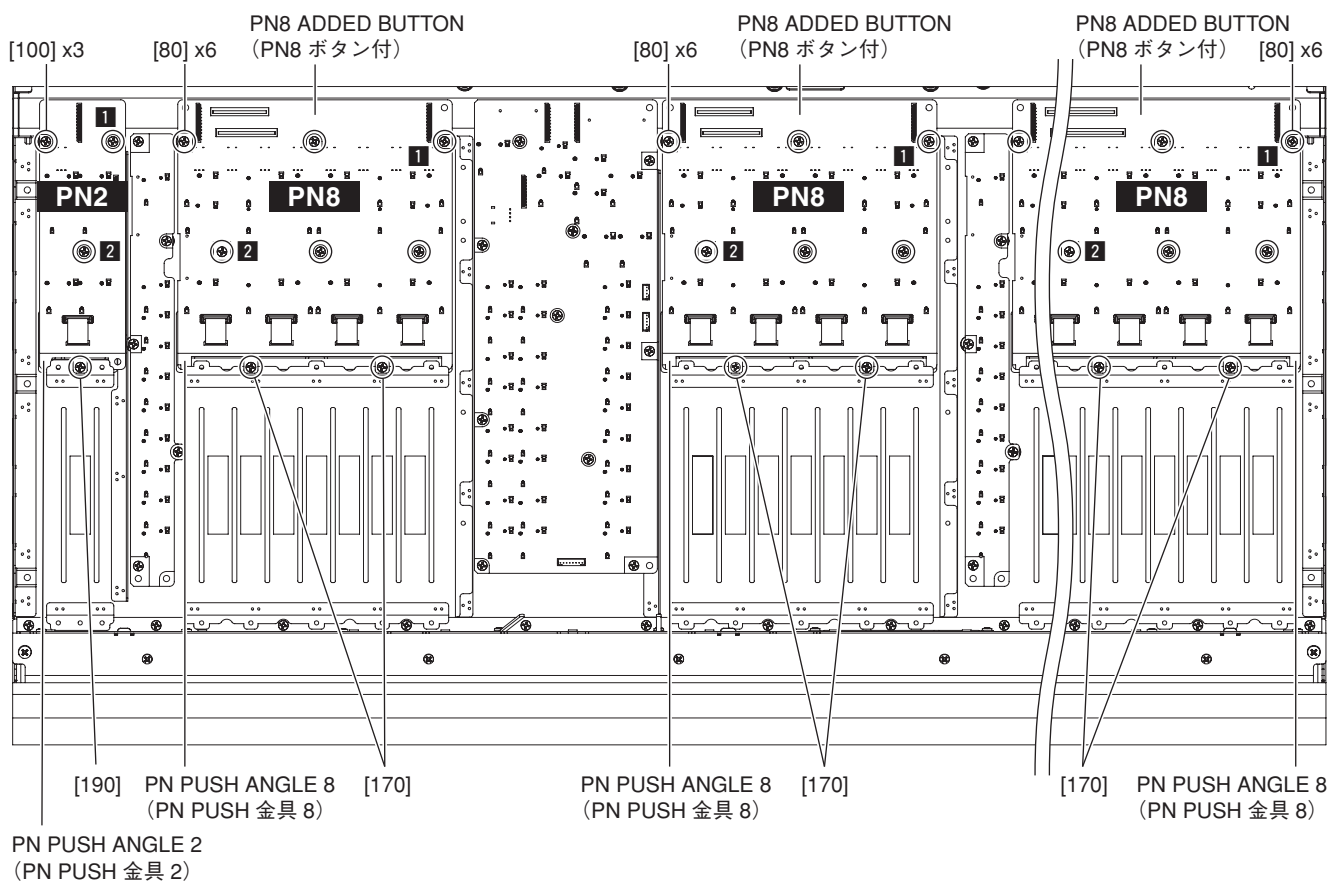


Fig. 10 (図 10)

B-9. Crystal Display (A/B) (Time required: About 8 minutes)

- B-9-1. Remove the control panel U3 assembly.
(See procedure 1)
- B-9-2. Remove the FD2 circuit board. (See procedure B-7)
- B-9-3. Remove the PN2 circuit board. (See procedure B-8)
- B-9-4. Remove the crystal display. (Fig. 11)
- B-9-5. The crystal display and color bar lens can then be separated. (Photo 23)

B-9. 液晶ディスプレイ (A/B) (所要時間: 約 8 分)

- B-9-1. コンパネ U3 Ass'y を外します。(1 項参照)
- B-9-2. FD2 シートを外します。(B-7 項参照)
- B-9-3. PN2 シートを外します。(B-8 項参照)
- B-9-4. 液晶ディスプレイを外します。(図 11)
- B-9-5. 液晶ディスプレイからカラーバーレンズを外します。(写真 23)

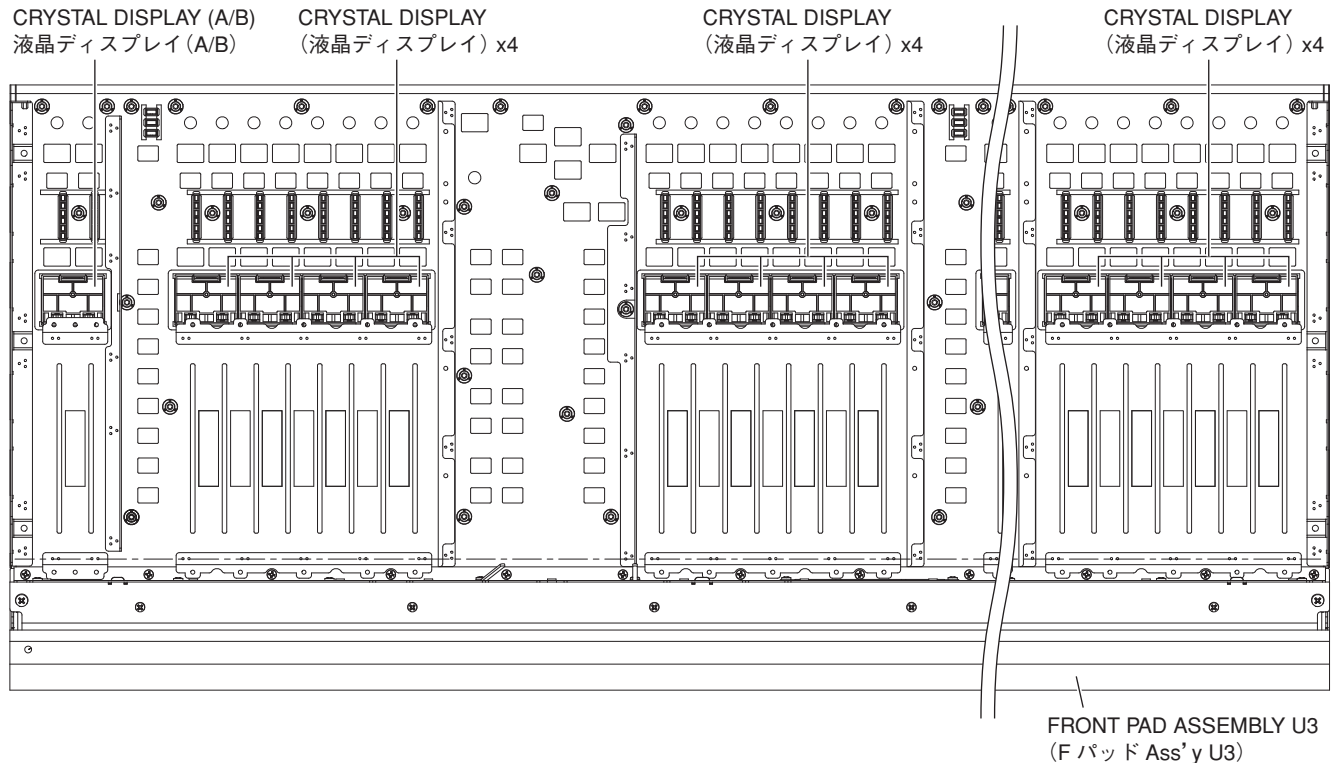


Fig. 11 (図 11)

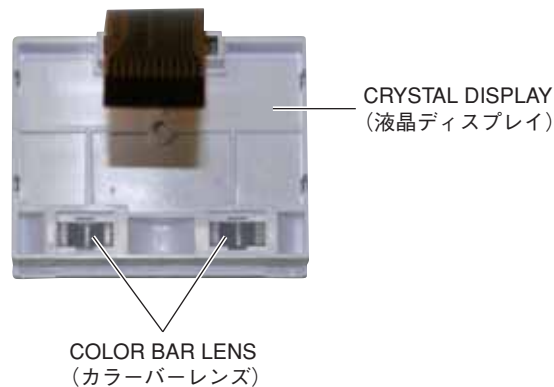


Photo 23 (写真 23)

B-10. PN8 Added Button**(Time required: About 9 minutes)**

- B-10-1. Remove the control panel U3 assembly.
(See procedure 1)
- B-10-2. Remove the eight (8) encoder knobs marked [560C]. (Fig. 7)
- B-10-3. Remove the two (2) screws marked [170]. The PN push angle 8 can then be removed. (Fig. 10)
- B-10-4. Remove the six (6) screws marked [80]. The PN8 added button can then be removed. (Fig. 10)

* **When installing the PN8 added button, tighten the screws 1 and 2 shown in fig. 10 in numerical order and then tighten the other screws.**

B-11. Crystal Display**(Time required: About 9 minutes)**

- B-11-1. Remove the control panel U3 assembly.
(See procedure 1)
- B-11-2. Remove the PN8 added button. (See procedure B-10)
- B-11-3. Remove the crystal display. (Fig. 11)
- B-11-4. The crystal display and color bar lens can then be separated. (Photo 23)

B-12. FD8CN Circuit Board**(Time required: About 7 minutes)**

- B-12-1. Remove the control panel U3 assembly.
(See procedure 1)
- B-12-2. Remove the eight (8) fader knobs NR marked [670A]. (Fig. 7)
- B-12-3. Remove the six (6) screws marked [480B]. The FD8CN circuit board can then be removed. (Fig. 9)

B-13. FD8 Circuit Board**(Time required: About 7 minutes)**

- B-13-1. Remove the control panel U3 assembly.
(See procedure 1)
- B-13-2. Remove the eight (8) fader knobs NR marked [670B]. (Fig. 7)
- B-13-3. Remove the six (6) screws marked [480C]. The FD8 circuit board can then be removed. (Fig. 9)

B-14. PNI Circuit Board**(Time required: About 7 minutes)**

- B-14-1. Remove the control panel U3 assembly.
(See procedure 1)
- B-14-2. Remove the five (5) screws marked [120]. The PNI circuit board can then be removed. (Fig. 9)

* **When installing the PNI circuit board, tighten the screws 1 and 2 shown in fig. 9 in numerical order and then tighten the other screws.**

B-10. PN8 ボタン付**(所要時間：約 9 分)**

- B-10-1. コンパネ U3 Ass'y を外します。(1 項参照)
 - B-10-2. [560C] のエンコーダーノブ 8 個を外します。(図 7)
 - B-10-3. [170] のネジ 2 本を外して、PNPUSH 金具 8 を外します。(図 10)
 - B-10-4. [80] のネジ 6 本を外して、PN8 ボタン付を外します。(図 10)
- ※ **PN8 ボタン付を取り付ける際は、図 10 に示す 1、2 の順にネジを締めてから他のネジを締めてください。**

B-11. 液晶ディスプレイ**(所要時間：約 9 分)**

- B-11-1. コンパネ U3 Ass'y を外します。(1 項参照)
- B-11-2. PN8 ボタン付を外します。(B-10 項参照)
- B-11-3. 液晶ディスプレイを外します。(図 11)
- B-11-4. 液晶ディスプレイからカラーバーレンズを外します。(写真 23)

B-12. FD8CN シート**(所要時間：約 7 分)**

- B-12-1. コンパネ U3 Ass'y を外します。(1 項参照)
- B-12-2. [670A] のフェーダーノブ N 8 個を外します。(図 7)
- B-12-3. [480B] のネジ 6 本を外して、FD8CN シートを外します。(図 9)

B-13. FD8 シート**(所要時間：約 7 分)**

- B-13-1. コンパネ U3 Ass'y を外します。(1 項参照)
- B-13-2. [670B] のフェーダーノブ N 8 個を外します。(図 7)
- B-13-3. [480C] のネジ 6 本を外して、FD8 シートを外します。(図 9)

B-14. PNI シート**(所要時間：約 7 分)**

- B-14-1. コンパネ U3 Ass'y を外します。(1 項参照)
 - B-14-2. [120] のネジ 5 本を外して、PNI シートを外します。(図 9)
- ※ **PNI シートを取り付ける際は、図 9 に示す 1、2 の順にネジを締めてから他のネジを締めてください。**

B-15. PNM Circuit Board

(Time required: About 8 minutes)

- B-15-1. Remove the control panel U3 assembly.
(See procedure 1)
- B-15-2. Remove the knob marked [660]. (Fig. 7)
- B-15-3. Remove the ten (10) screws marked [140]. The PNM circuit board can then be removed. (Fig. 9)
- * **When installing the PNM circuit board, tighten the screws 1 and 2 shown in fig. 9 in numerical order and then tighten the other screws.**

B-16. Front Pad Assembly U3

(Time required: About 19 minutes)

- B-16-1. Remove the control panel U3 assembly.
(See procedure 1)
- B-16-2. Remove the FD8CN circuit board. (See procedure B-12)
- B-16-3. Remove all the FD8 circuit boards. (See procedure B-13)
- B-16-4. Remove the fourteen (14) screws marked [45] and the eleven (11) screws marked [40A]. The front pad assembly U3 can then be removed. (Fig. 12)
- * **When installing the F pad assembly to the control panel, while pressing the F pad assembly against the control panel, tighten screws so as to reduce clearance between the control panel and F pad assembly.**

B-15. PNM シート

(所要時間: 約 8 分)

- B-15-1. コンパネ U3 Ass'y を外します。(1 項参照)
- B-15-2. [660] のノブ 1 個を外します。(図 7)
- B-15-3. [140] のネジ 10 本を外して、PNM シートを外します。(図 9)
- ※ PNM シートを取り付ける際は、図 9 に示す 1、2 の順にネジを締めてから他のネジを締めてください。

B-16. Fパッド Ass'y U3

(所要時間: 約 19 分)

- B-16-1. コンパネ U3 Ass'y を外します。(1 項参照)
- B-16-2. FD8CN シートを外します。(B-12 項参照)
- B-16-3. 全ての FD8 シートを外します。(B-13 項参照)
- B-16-4. [45] のネジ 14 本と [40A] のネジ 11 本外して、Fパッド Ass'y を外します。(図 12)
- ※ Fパッド Ass'y をコンパネに取り付ける際は、Fパッド Ass'y をコンパネに押しつけながら、コンパネと Fパッド Ass'y のクリアランスを少なくなるようにネジを締めてください。

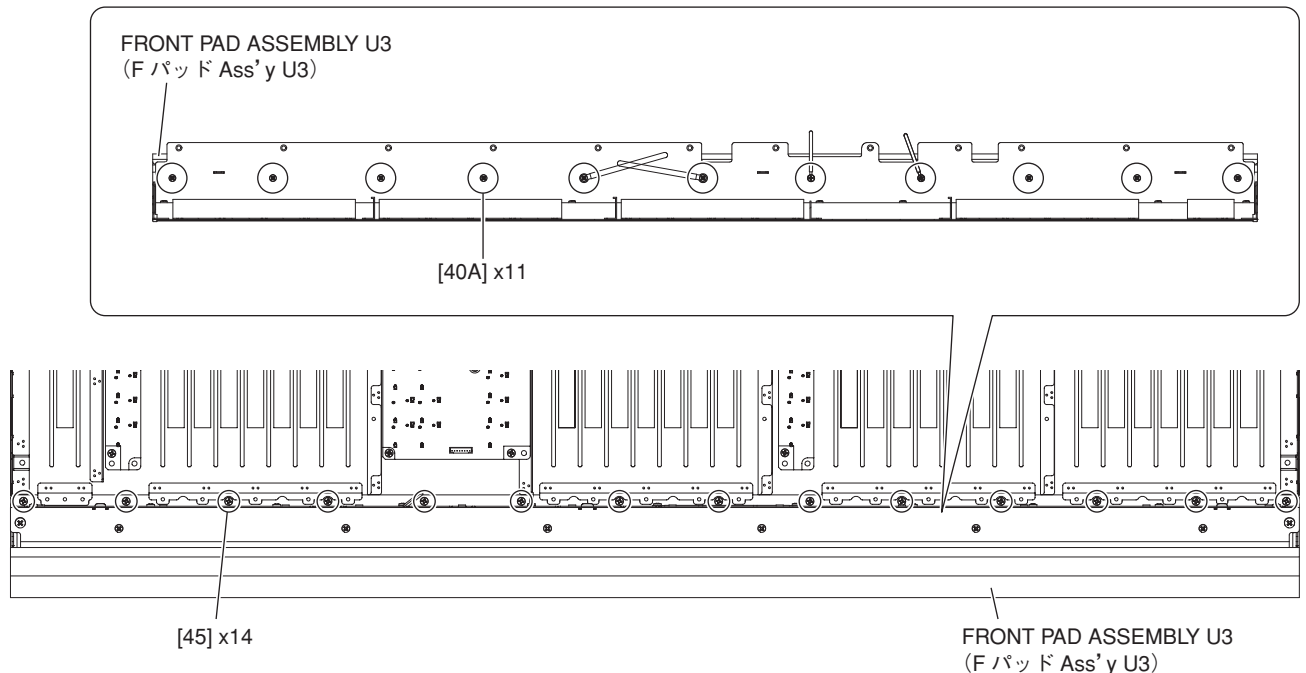


Fig. 12 (図 12)

C. Disassembly Procedure of AC Assembly

C-1. AC Inlet Assembly, AC Circuit Board (Time required: About 12 minutes)

- C-1-1. Remove the control panel U3 assembly.
(See procedure 1)
- C-1-2. Remove the rear upper U3. (See procedure A-1)
- C-1-3. Remove the AC assembly. (See procedure A-10)
- C-1-4. Remove the four (4) screws marked [110]. The AC angle T can then be removed. (Photo 24)
- C-1-5. Remove the two (2) screws marked [60]. The AC inlet assembly can then be removed. (Photo 25)
- C-1-6. Remove the power switch knob. (Photo 26)
- C-1-7. Remove the two (2) screws marked [30] and the three (3) screws marked [40B]. The AC circuit board can then be removed. (Photo 25, Photo 26)

C. AC アセンブリの分解

C-1. AC インレット Ass'y、AC シート (所要時間：約 12 分)

- C-1-1. コンパネ U3 Ass'y を開けて、固定します。
(1 項参照)
- C-1-2. リア上パネ U3 を外します。(A-1 項参照)
- C-1-3. AC アセンブリを外します。(A-10 項参照)
- C-1-4. [110] のネジ 4 本外して、AC アングル T を外します。(写真 24)
- C-1-5. [60] のネジ 2 本外して、AC インレット Ass'y を外します。(写真 25)
- C-1-6. PSW ノブを外します。(写真 26)
- C-1-7. [30] のネジ 2 本と [40B] のネジ 3 本を外して、AC シートを外します。(写真 25、写真 26)

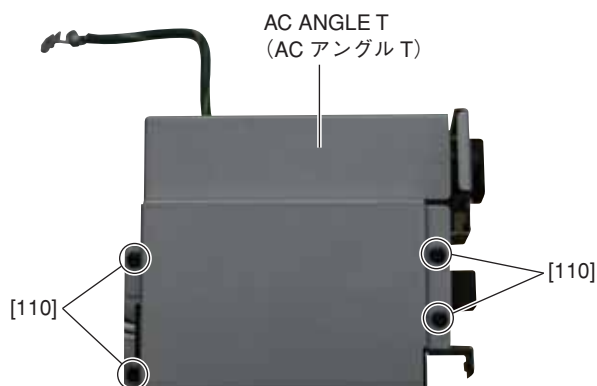


Photo 24 (写真 24)

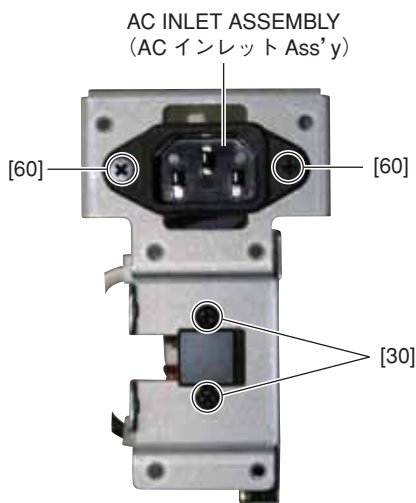


Photo 25 (写真 25)

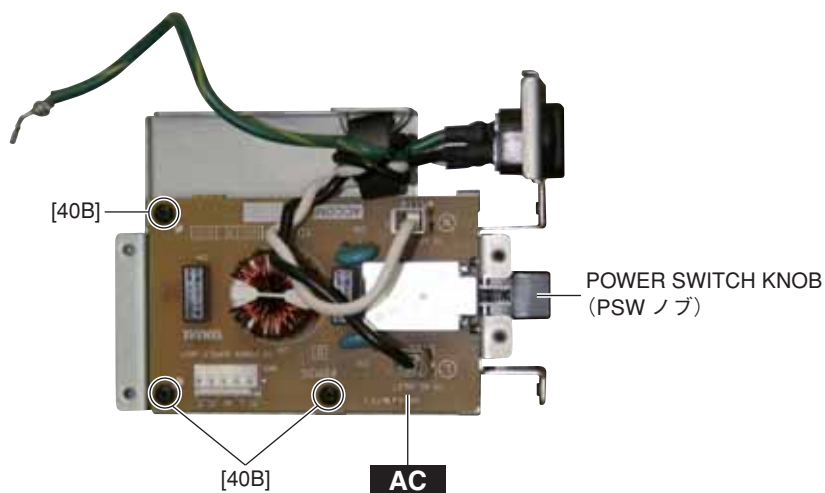


Photo 26 (写真 26)

■ LSI PIN DESCRIPTION (LSI 端子機能表)

88E6350R (YD688A00) GIGABIT ETHERNET SWITCHING HUB	61
ADSP-21369KBPZ-3A (X8847A00) SHARC PROCESSOR	52
AK4125VF-E2 (YD750A00) SRC (Sample Rate Converter)	64
AK4396VF-E2 (X8324A00) DAC (Digital to Analog Converter)	64
AK5385BVF-E2 (X5364B00) ADC (Analog to Digital Converter)	64
BD8113EFV-E2 (YD627A00) LED DRIVER	65
CS8406-CZZR (X8556A00) DIT (Digital Audio Interface Transmitter)	44
DM9000AEP (X7029A00) LAN CONTROLLER	62
EPM240T100C5N (YD926A00) CPLD (Complex Programmable Logic Device)	58
EPM240T100C5N (YE003A00) CPLD (Complex Programmable Logic Device)	58
GL852G-MNG03 (YC486A00) USB 2.0 MTT HUB CONTROLLER	62
HD6433683E29FPV (YE519100) CPU (E-FDC)	44
KSZ8051RNL (YD367B00) PHY	63
LC4064V-75TN100C (YE063B00) CPLD (Complex Programmable Logic Device)	57
LCMXO2280C-3TN144C (YE064B00) CPLD (Complex Programmable Logic Device)	59
LPC1313FBD48/01 (YD649A00) CPU (C-MB2)	50
LPC1763FBD100 (YE518A00) CPU (C-MD1)	51
LTC3615EUF#TRPBF (YD559A00) DC-DC CONVERTER	65
M38039G4H-819HP (YE031100) CPU (EC-PNS1)	50
M38039G4H-820HP (YE032100) CPU (EC)	50
M38039G4HHP (YD803A00) CPU (LCDC)	50
R8A02032BG (X8810A00) CPU (SWX02)	48
R8A77240D500BG (YD492A00) CPU	45
SN75LVDS84ADGGR (X4212A0R) LVDS TRANSMITTERS	63
TLC5941PWPR (YD685A00) LED DRIVER	65
TMS320DA150PGE16D (X3803A00) DSP (Digital Signal Processor)	54
XC6SLX9-2TQG144C (YD697A00) FPGA	60
YSS910C-VZ (XV988C00) DSP6 (Digital Signal Processor)	55
YSS919C-FZ (XZ693C00) DSP7 (Digital Signal Processor)	56

● **HD6433683E29FPV (YE519100) CPU (E-FDC)**

PIN NO.	NAME	I/O	FUNCTION	PIN NO.	NAME	I/O	FUNCTION
1	AN6	I	Analog input pin	33	P62	I/O	8-bit I/O port
2	AN7	I	Analog input pin	34	P61	I/O	8-bit I/O port
3	AV _{CC}	I	Analog power supply pin for the A/D converter	35	NMI	I	Non-maskable interrupt request input pin
4	X2	O	These pins connect with a 32.768 kHz crystal resonator for the subclock	36	P60	I/O	8-bit I/O port
5	X1	I	These pins connect with a 32.768 kHz crystal resonator for the subclock	37	P64	I/O	8-bit I/O port
6	V _{CL}	I	Internal step-down power supply pin	38	P65	I/O	8-bit I/O port
7	RES	I	Reset pin	39	P66	I/O	8-bit I/O port
8	TEST	I	Test pin	40	P67	I/O	8-bit I/O port
9	V _{SS}	I	Ground pin	41	P85	I/O	3-bit I/O port.
10	OSC2	O	These pins connect with crystal or ceramic resonator for the system clock, or can be used to input an external clock	42	P86	I/O	3-bit I/O port.
11	OSC1	I	These pins connect with crystal or ceramic resonator for the system clock, or can be used to input an external clock	43	P87	I/O	3-bit I/O port.
12	V _{CC}	I	Power supply pin	44	P20	I/O	5-bit I/O port.
13	P50	I/O	8-bit I/O port	45	P21/RXD	I/O	5-bit I/O port. / Receive data input pin
14	P51	I/O	8-bit I/O port	46	P22/TXD	I/O	5-bit I/O port. / Transmit data output pin
15	P34	I/O	8-bit I/O port	47	P23	I/O	5-bit I/O port.
16	P35	I/O	8-bit I/O port	48	SCK3_2	I/O	Clock I/O pin
17	P36	I/O	8-bit I/O port	49	RXD_2	I	Receive data input pin
18	P37	I/O	8-bit I/O port	50	TXD_2	O	Transmit data output pin
19	P52	I/O	8-bit I/O port	51	P14	I/O	7-bit I/O port.
20	P53	I/O	8-bit I/O port	52	P15	I/O	7-bit I/O port.
21	P54	I/O	8-bit I/O port	53	P16	I/O	7-bit I/O port.
22	P55	I/O	8-bit I/O port	54	P17	I/O	7-bit I/O port.
23	P10	I/O	7-bit I/O port.	55	P33	I/O	8-bit I/O port
24	P11	I/O	7-bit I/O port.	56	P32	I/O	8-bit I/O port
25	P12	I/O	7-bit I/O port.	57	P31	I/O	8-bit I/O port
26	P56	I/O	8-bit I/O port	58	P30	I/O	8-bit I/O port
27	P57	I/O	8-bit I/O port	59	PB3/AN3	I	8-bit input port. / Analog input pin
28	P74	I/O	6-bit I/O port	60	PB2/AN2	I	8-bit input port. / Analog input pin
29	P75	I/O	6-bit I/O port	61	PB1/AN1	I	8-bit input port. / Analog input pin
30	P76	I/O	6-bit I/O port	62	PB0/AN0	I	8-bit input port. / Analog input pin
31	P24	I/O	5-bit I/O port.	63	PB4/AN4	I	8-bit input port. / Analog input pin
32	P63	I/O	8-bit I/O port	64	PB5/AN5	I	8-bit input port. / Analog input pin

● **CS8406-CZZR (X8556A00) DIT (Digital Audio Interface Transmitter)**

PIN NO.	NAME	I/O	FUNCTION	PIN NO.	NAME	I/O	FUNCTION
1	SDA/CDO _{UT}	I/O	Serial Control Data I/O (I ² C Mode) / Data Out (SPI)	15	TCBL	I/O	Transmit Channel Status Block Start
2	AD0/CS	I	Address Bit 0 (I ² C Mode) / Control Port Chip Select (SPI)	16	TEST		Test Pins
3	AD2	I	Address Bit 2 (I ² C Mode)	17	TEST		Test Pins
4	RXP	I	Auxiliary AES3 Receiver Port	18	TEST		Test Pins
5	TSTN	I	Test In	19	INT	O	Interrupt
6	VD	I	Digital Power	20	U	I	User Data
7	TEST		Test Pins	21	OMCK	I	Master Clock
8	TEST		Test Pins	22	GND	I	Ground
9	RST	I	Reset	23	VL	I	Logic Power
10	TEST		Test Pins	24	H/S	I	Hardware/Software Control Mode Select
11	TEST		Test Pins	25	TXN	O	Differential Line Drivers
12	ILRCK	I/O	Serial Audio Input Left/Right Clock	26	TXP	O	Differential Line Drivers
13	ISCLK	I/O	Serial Audio Bit Clock	27	AD1/CDIN	I	Address Bit 1 (I ² C Mode) / Serial Control Data in (SPI)
14	SDIN	I	Serial Audio Data Port	28	SCL/CCLK	I	Control Port Clock

● R8A77240D500BG (YD492A00) CPU

CPU: IC101

PIN NO.	OUTER NO.	NAME	I/O	FUNCTION	PIN NO.	OUTER NO.	NAME	I/O	FUNCTION
1	A1	VSS	I	Ground	76	D1	RESETA	I	Reset input
2	A2	REFFRIN1	I	Reference input	77	D2	RTC_CLK	I	RTC clock
3	A3	DP1	I/O	D+ input/output	78	D3	TSTMD	I	Mode setting
4	A4	DM1	I/O	D- Input/output	79	D4	MD5	I	Mode setting
5	A5	REFFRIN1	I	Reference input	80	D5	AG12_1	I	Ground for USB
6	A6	AV33_0	I	Power supply for USB	81	D6	UG12_1	I	Ground for USB
7	A7	DP1	I/O	D+ input/output	82	D7	DG12_1	I	Ground for USB
8	A8	DM0	I/O	D- Input/output	83	D8	UG12_0	I	Ground for USB
9	A9	SCL1	I/O	I2C clock input/output	84	D9	DG12_0	I	Ground for USB
10	A10	PTS2/VIO1_CLK/SCIF5_TXD	I/O	General purpose port/Clock for VIO/Transmission data	85	D10	PTS3/VIO1_VD/SCIF5_RXD	I/O	General purpose port/Vertical synchronization for VIO/Reception data
11	A11	PTK7/VIO1_D5/VIO0_D13/IDED5	I/O	General purpose port/Data bus for VIO/Data bus	86	D11	PTS1/VIO1_D7/VIO0_D15/IDED7	I/O	General purpose port/Data bus for VIO/Data bus
12	A12	PTK3/VIO1_D1/VIO0_D9/IDED1	I/O	General purpose port/Data bus for VIO/Data bus	87	D12	PTK6/VIO1_D4/VIO0_D12/IDED4	I/O	General purpose port/Data bus for VIO/Data bus
13	A13	PTH5/VIO1_D7	I/O	General purpose port/Data bus for VIO	88	D13	PTK2/VIO1_D0/VIO0_D8/IDED0	I/O	General purpose port/Data bus for VIO/Data bus
14	A14	PTH0/VIO0_D2	I/O	General purpose port/Data bus for VIO	89	D14	PTH4/VIO0_D6	I/O	General purpose port/Data bus for VIO
15	A15	VDD_FLL	I	Power supply for FLL	90	D15	PTN6/VIO0_D0	I/O	General purpose port/Data bus for VIO
16	A16	VDD_PLL	I	Power supply for PLL	91	D16	PTV6/FSIOBSD/MSIOF1_SST/MSIOF1_RSCK	I/O	General purpose port/Sound output serial data/Transmission frame synchronous signal/Reception serial clock
17	A17	PTV5/FSIIBCK/MSIOF1_RXD	I/O	General purpose port/Sound input bit clock/Reception data	92	D17	PTV2/FSIOBLRCK/MSIOF1_TXD	I/O	General purpose port/Sound output L/R clock/Transmission data
18	A18	PTV1/CLKAUDIO0/MSIOF1_MCK	I/O	General purpose port/Audio clock/Master clock input	93	D18	PTU5/FSIOASD	I/O	General purpose port/Sound output serial data
19	A19	PTU4/FSIABCK	I/O	General purpose port/Sound input bit clock	94	D19	PTZ4/IRQ4/SCIF3_RXD	I/O	General purpose port/Interrupt request 4/Reception data
20	A20	PTU0/CLKAUDIOAO	I/O	General purpose port/Audio clock	95	D20	PTX4/TS_SCK/MDIO	I/O	General purpose port/Clock/Data input/output for control
21	A21	PTZ5/IRQ5/SCIF3_SCK	I/O	General purpose port/Interrupt request 5/Serical clock	96	D21	SCL0	I/O	I2C clock input/output
22	A22	PTX6/DREQ1/IRDA_IN	I/O	General purpose port/DMA transfer request/Reception data input	97	D22	PTN2/DV_HSYNC/SCIF2_TXD	I/O	General purpose port/Horizontal synchronization signal output/Transmission data
23	A23	PTX2/TS_SPSYNC	I/O	General purpose port/Data synchronization signal	98	D23	PTL2/DV_D0/SCIF1_TXD/RMII_TXD1	I/O	General purpose port/Data output/Transmission data/RMI transmission data
24	A24	PTN5/DV_CLKI	I/O	General purpose port/Video clock input	99	D24	PTM7/DV_D13/MSIOF0_TSCK	I/O	General purpose port/Data output/Transmission serial clock
25	A25	VSS	I	Ground	100	D25	PTL0/DV_D14/MSIOF0_MCK	I/O	General purpose port/Data output/Master clock input
26	B1	EXTALUSB	I	Clock for USB	101	E1	PDSTATUS/PTJ7	O	Power down status output/General purpose port
27	B2	XTALUSB	O	Clock for USB	102	E2	RESETOUT	O	Reset output
28	B3	AG33_1	I	Ground for USB	103	E3	STATUS2/PTJ6	O	Status output/General purpose port
29	B4	AV33_1	I	Power supply for USB	104	E4	MD8	I	Mode setting
30	B5	DG33_1	I	Ground for USB	105	E5	VSS	I	Ground
31	B6	AG33_0	I	Ground for USB	106	E6	UV12_1	I	Power supply for USB
32	B7	DV33_0	I	Power supply for USB	107	E7	DV12_1	I	Power supply for USB
33	B8	DG33_0	I	Ground for USB	108	E8	UV12_0	I	Power supply for USB
34	B9	PTS5/VIO1_FLD/PTU2/IDEIORDY	I/O	General purpose port/Field signal/External clock input signal/Ready signal	109	E9	DV12_0	I	Power supply for USB
35	B10	PTS4/VIO1_HD/SCIF5_SCK	I/O	General purpose port/Horizontal synchronization for VIO/Serical clock	110	E10	VSS	I	Ground
36	B11	PTS0/VIO1_D6/VIO0_D14/IDED6	I/O	General purpose port/Data bus for VIO/Data bus	111	E11	VCCQ_VIO	I	I/O power supply
37	B12	PTK4/VIO1_D2/VIO0_D10/IDED2	I/O	General purpose port/Data bus for VIO/Data bus	112	E12	VCCQ_VIO	I	I/O power supply
38	B13	PTH7/VIO0_VD	I/O	General purpose port/Vertical synchronization for VIO	113	E13	PTK0/VIO0_HD	I/O	General purpose port/Horizontal synchronization for VIO
39	B14	PTH3/VIO0_D5	I/O	General purpose port/Data bus for VIO	114	E14	PTH2/VIO0_D4	I/O	General purpose port/Data bus for VIO
40	B15	VSS_FLL	I	Ground for FLL	115	E15	PTN7/VIO0_D1	I/O	General purpose port/Data bus for VIO
41	B16	VSS_PLL	I	Ground for PLL	116	E16	PTV0/FSIABCK	I/O	General purpose port/Sound input
42	B17	PTV3/FSIOBCK/MSIOF1_TSCK	I/O	General purpose port/Sound output bit clock/Transmission serial clock	117	E17	PTE6/FSIMCKA	I/O	General purpose port/External clock for FSI
43	B18	PTE7/FSIMCKB	I/O	General purpose port/External clock for FSI	118	E18	PTU1/FSIOALRCK	I/O	General purpose port/Sound output L/R clock
44	B19	PTU3/FSIALRCK	I/O	General purpose port/Sound input L/R clock	119	E19	VCCQ_SR	I	I/O power supply
45	B20	PTZ7/IRQ7/SCIF3_CTS	I/O	General purpose port/Interrupt request 7/CTS signal	120	E20	VCCQ_SR	I	I/O power supply
46	B21	PTX7/DACK1/IRDA_OUT	I/O	General purpose port/DMA transfer request reception/Transmission data output	121	E21	VCCQ_SR	I	I/O power supply
47	B22	PTX5/TS_SDAT/LNKSTA	I/O	General purpose port/Reception data/Link status	122	E22	PTL1/DV_D15	I/O	General purpose port/Data output
48	B23	PTN3/DV_VSYNC/SCIF2_RXD	I/O	General purpose port/Vertical synchronization signal output/Reception data	123	E23	PTM6/DV_D12/MSIOF0_RXD	I/O	General purpose port/Data output/Reception data
49	B24	PTL7/DV_D5/SCIF3_SCK/RMII_RXD0	I/O	General purpose port/Data output/Serical clock/RMI reception data	124	E24	PTM5/DV_D11/MSIOF0_TXD	I/O	General purpose port/Data output/Transmission data
50	B25	PTN0/DV_D6/SCIF3_RTS/RMII_CRS_DV	I/O	General purpose port/Data output/RTS signal/RMI carrier detect	125	E25	PTM4/DV_D10/MSIOF0_TSYNC	I/O	General purpose port/Data output/Transmission frame synchronous signal
51	C1	MD3	I	Mode setting	126	F1	TCK	I	Test clock
52	C2	MD1	I	Mode setting	127	F2	TST	I	Test terminal
53	C3	MD2	I	Mode setting	128	F3	BOOT	I	Boot mode input
54	C4	AV12_1	I	Power supply for USB	129	F4	MD0	I	Mode setting
55	C5	DV33_1	I	Power supply for USB	130	F5	VSS	I	Ground
56	C6	VBUS1	I	USB power supply detect	131	F21	VSS	I	Ground
57	C7	AG12_0	I	Ground for USB	132	F22	PTN4/DV_CLK/SCIF2_SCK	I/O	General purpose port/Clock output/Serical clock
58	C8	AV12_0	I	Power supply for USB	133	F23	PTM3/DV_D9/MSIOF0_SST/MSIOF0_RSCK	I/O	General purpose port/Data output/Transmission frame synchronous signal/Reception serial clock
59	C9	VBUS0	I	USB power supply detect	134	F24	PTZ1/IRQ1	I/O	General purpose port/Interrupt request 1
60	C10	SDA1	I/O	I2C data input/output	135	F25	PTZ0/IRQ0	I/O	General purpose port/Interrupt request 0
61	C11	PTS6/VIO0_CK0	I/O	General purpose port/Clock output for camera	136	G1	TDO	O	Test data output
62	C12	PTK5/VIO1_D3/VIO0_D11/IDED3	I/O	General purpose port/Data bus for VIO/Data bus	137	G2	TDI	I	Test data input
63	C13	PTK1/VIO0_FLD	I/O	General purpose port/Field signal	138	G3	TMS	I	Test mode select
64	C14	PTH6/VIO0_CLK	I/O	General purpose port/Clock for VIO	139	G4	RESETP	I	Power ON reset
65	C15	PTH1/VIO0_D3	I/O	General purpose port/Data bus for VIO	140	G5	VCCQ	I	I/O power supply
66	C16	PTV7/FSIIBSD/MSIOF1_SST/MSIOF1_RSCK/MSIOF1_RSYNC	I/O	General purpose port/Sound input/Transmission frame synchronous signal/Reception frame synchronous signal	141	G21	VSS	I	Ground
67	C17	PTV4/FSIOBLRCK/MSIOF1_TSYNC	I/O	General purpose port/Sound input L/R clock/Transmission frame synchronous signal	142	G22	PTL6/DV_D4/SCIF3_RXD/RMII_RXD1	I/O	General purpose port/Data output/Reception data/RMI reception data
68	C18	PTU2/FSIOABCK	I/O	General purpose port/Sound output bit clock	143	G23	PTU7/DACK0	I/O	General purpose port/DMA transfer request reception
69	C19	PTZ6/IRQ6/SCIF3_RTS	I/O	General purpose port/Interrupt request 6/RTS signal	144	G24	PTU6/DREQ0	I/O	General purpose port/DMA transfer request
70	C20	PTZ3/IRQ3/SCIF3_TXD	I/O	General purpose port/Interrupt request 3/Transmission data	145	G25	CKO	O	System clock
71	C21	SDA0	I/O	I2C data input/output	146	H1	PTG2/AUDATA2	I/O	General purpose port/AUD data
72	C22	PTX3/TS_SDEN/MDC	I/O	General purpose port/Data enable/Data clock for control	147	H2	PTG1/AUDATA1	I/O	General purpose port/AUD data
73	C23	PTN1/DV_D7/SCIF3_CTS/RMII_RX_ER	I/O	General purpose port/Data output/CTS signal/RMI reception error	148	H3	PTG0/AUDATA0	I/O	General purpose port/AUD data
74	C24	PTL5/DV_D3/SCIF3_TXD/RMII_REF_CLK	I/O	General purpose port/Data output/Transmission data/RMI reference clock	149	H4	STATUS0/PTJ5	O	Status output/General purpose port
75	C25	PTL3/DV_D1/SCIF1_RXD/RMII_TXD0	I/O	General purpose port/Data output/Reception data/RMI transmission data	150	H5	VCCQ	I	I/O power supply

PIN NO.	OUTER NO.	NAME	I/O	FUNCTION	PIN NO.	OUTER NO.	NAME	I/O	FUNCTION
151	H21	VCCQ1	I	I/O power supply	226	N14	VSS	I	Ground
152	H22	PTL4DV_D2/SCIF1_SCK/RMI_TX_EN	I/O	General purpose port/Data output/Serial clock/RMI transmission enable	227	N15	VSS	I	Ground
153	H23	WAIT/PTR2	I	Wait/General purpose port	228	N16	VDD	I	Core power supply
154	H24	CS6A/PTR6/CE2B	I/O	Chip select/General purpose port/PCMCIA card select	229	N21	VCCQ1	I	I/O power supply
155	H25	IOIS16/PTR3/LCDLCLK	I	PCMCIA 16 bit I/O/General purpose port/Input clock	230	N22	A17	O	Address bus
156	J1	EXTAL	I	External clock	231	N23	A16	O	Address bus
157	J2	PTG4/AUDSYNC	I/O	General purpose port/AUD synchronization signal	232	N24	A19	O	Address bus
158	J3	PTG3/AUDATA3	I/O	General purpose port/AUD data	233	N25	A15	O	Address bus
159	J4	TRST	I	Test reset	234	P1	PTY1/SDHI0CMD	I/O	General purpose port/Command output, response input
160	J5	VSS	I	Ground	235	P2	PTY2/SDHI0D0	I/O	General purpose port/Data bus
161	J21	VCCQ1	I	I/O power supply	236	P3	PTY4/SDHI0D2	I/O	General purpose port/Data bus
162	J22	PTM2/DV_D8/MSIOF0_SS2/MSIOF0_RSNC	I/O	General purpose port/Data output/Transmission frame synchronous signal/Reception frame synchronous signal	237	P4	PTY6/SDHI0WP	I/O	General purpose port/Write protect
163	J23	CS6B/PTR7/CE1B	I/O	Chip select/General purpose port/PCMCIA card select	238	P5	VCCQ_SDC	I	I/O power supply
164	J24	CS4	O	Chip select	239	P10	VDD	I	Core power supply
165	J25	CS5A/PTR4/CE2A	I/O	Chip select/General purpose port/PCMCIA card select	240	P11	VSS	I	Ground
166	K1	XTAL	O	Clock output	241	P12	VSS	I	Ground
167	K2	ASEBRK/BRKACK	I/O	Break input/acknowledge	242	P13	VSS	I	Ground
168	K3	MPMD	I	ASE mode	243	P14	VSS	I	Ground
169	K4	PTG5/AUDCK	I/O	General purpose port/AUD clock	244	P15	VSS	I	Ground
170	K5	VSS	I	Ground	245	P16	VDD	I	Core power supply
171	K10	VDD	I	Core power supply	246	P21	A11	O	Address bus
172	K11	VDD	I	Core power supply	247	P22	A18	O	Address bus
173	K12	VSS	I	Ground	248	P23	A10	O	Address bus
174	K13	VSS	I	Ground	249	P24	A14	O	Address bus
175	K14	VSS	I	Ground	250	P25	A13	O	Address bus
176	K15	VDD	I	Core power supply	251	R1	PTY5/SDHI0D3	I/O	General purpose port/Data bus
177	K16	VDD	I	Core power supply	252	R2	PTY7/SDHI0CD	I/O	General purpose port/Card detect
178	K21	VCCQ1	I	I/O power supply	253	R3	PTZ2/IRQ2	I/O	General purpose port/Interrupt request 2
179	K22	CS5B/PTR5/CE1A	I/O	Chip select/General purpose port/PCMCIA card select	254	R4	PTY3/SDHI0D1	I/O	General purpose port/Data bus
180	K23	CS0	O	Chip select	255	R5	VCCQ_SDC	I	I/O power supply
181	K24	RD	O	Read strobe	256	R10	VDD	I	Core power supply
182	K25	WE1	O	Write enable 1	257	R11	VSS	I	Ground
183	L1	PTW2/MMC_D2/SDHI1D0	I/O	General purpose port/Data output/response input/Data bus	258	R12	VSS	I	Ground
184	L2	PTW1/MMC_D1/SDHI1CMD	I/O	General purpose port/Data output/response input/Command output, response input	259	R13	VSS	I	Ground
185	L3	PTW0/MMC_D0/SDHI1CLK	I/O	General purpose port/Data output/response input/Clock	260	R14	VSS	I	Ground
186	L4	MNI	I	Non-maskable interrupt	261	R15	VSS	I	Ground
187	L5	VSS	I	Ground	262	R16	VDD	I	Core power supply
188	L10	VDD	I	Core power supply	263	R21	WE3/PTR1/CIOWR/TPUTO3/TPUT13	I/O	Write enable 3/General purpose port/PCMCIA IO write/Output signal/External clock input signal
189	L11	VSS	I	Ground	264	R22	A3	O	Address bus
190	L12	VSS	I	Ground	265	R23	A5	O	Address bus
191	L13	VSS	I	Ground	266	R24	A9	O	Address bus
192	L14	VSS	I	Ground	267	R25	A12	O	Address bus
193	L15	VSS	I	Ground	268	T1	PTC0/LCDD0	I/O	General purpose port/LCD data bus
194	L16	VDD	I	Core power supply	269	T2	PTC1/LCDD1	I/O	General purpose port/LCD data bus
195	L21	VSS	I	Ground	270	T3	PTC3/LCDD3	I/O	General purpose port/LCD data bus
196	L22	RDWR	O	Read/write	271	T4	PTC6/LCDD6	I/O	General purpose port/LCD data bus
197	L23	WE0	O	Write enable 0	272	T5	VSS	I	Ground
198	L24	A25/PTJ3/BS	I/O	Address bus/General purpose port/Bus start	273	T10	VDD	I	Core power supply
199	L25	A24/PTJ2	I/O	Address bus/General purpose port	274	T11	VDD	I	Core power supply
200	M1	PTW5/MMC_D5/SDHI1D3/EXBUF_ENB	I/O	General purpose port/Data output/response input/Data bus/External data enable	275	T12	VSS	I	Ground
201	M2	PTW6/MMC_D6/SDHI1WP/IDERST	I/O	General purpose port/Data output/response input/Write protect/Reset	276	T13	VSS	I	Ground
202	M3	PTW4/MMC_D4/SDHI1D2/DIRECTION	I/O	General purpose port/Data output/response input/Data bus/External data direction	277	T14	VSS	I	Ground
203	M4	PTW3/MMC_D3/SDHI1D1	I/O	General purpose port/Data output/response input/Data bus	278	T15	VDD	I	Core power supply
204	M5	VCCQ_MMC	I	I/O power supply	279	T16	VDD	I	Core power supply
205	M10	VDD	I	Core power supply	280	T21	VSS	I	Ground
206	M11	VSS	I	Ground	281	T22	D31/PB7/TPUTO1/IDEA1	I/O	Data bus/General purpose port/Output signal/Address bus
207	M12	VSS	I	Ground	282	T23	A4	O	Address bus
208	M13	VSS	I	Ground	283	T24	A7	O	Address bus
209	M14	VSS	I	Ground	284	T25	A8	O	Address bus
210	M15	VSS	I	Ground	285	U1	PTC2/LCDD2	I/O	General purpose port/LCD data bus
211	M16	VDD	I	Core power supply	286	U2	PTC4/LCDD4	I/O	General purpose port/LCD data bus
212	M21	VCCQ1	I	I/O power supply	287	U3	PTD0/LCDD8	I/O	General purpose port/LCD data bus
213	M22	A22/PTJ0	I/O	Address bus/General purpose port	288	U4	PTD4/LCDD12	I/O	General purpose port/LCD data bus
214	M23	A22	O	Address bus	289	U5	VCCQ_LCD	I	I/O power supply
215	M24	A23/PTJ1	I/O	Address bus/General purpose port	290	U21	VCCQ1	I	I/O power supply
216	M25	A20	O	Address bus	291	U22	D21/PTA5/KEYOUT0/IDED13	I/O	Data bus/General purpose port/Key output
217	N1	PTW7/MMC_D7/SDHI1CD/IODACK	I/O	General purpose port/Data output/response input/Card detect/DMA acknowledge	292	U23	WE2/PTR0/CIORD/TPUTO2/IDEA2	I/O	Write enable 2/General purpose port/PCMCIA IO read/Output signal/Address bus
218	N2	PTY0/SDHI0CLK	I/O	General purpose port/Clock	293	U24	A2	O	Address bus
219	N3	PTX0/MMC_CMD	I/O	General purpose port/Command output/response input	294	U25	A6	O	Address bus
220	N4	PTX1/MMC_CLK	I/O	General purpose port/Clock output	295	V1	PTC5/LCDD5	I/O	General purpose port/LCD data bus
221	N5	VCCQ_MMC	I	I/O power supply	296	V2	PTC7/LCDD7	I/O	General purpose port/LCD data bus
222	N10	VDD	I	Core power supply	297	V3	PTD3/LCDD11	I/O	General purpose port/LCD data bus
223	N11	VSS	I	Ground	298	V4	PTD0/LCDD16	I/O	General purpose port/LCD data bus
224	N12	VSS	I	Ground	299	V5	VCCQ_LCD	I	I/O power supply
225	N13	VSS	I	Ground	300	V21	VCCQ1	I	I/O power supply

PIN NO.	OUTER NO.	NAME	I/O	FUNCTION	PIN NO.	OUTER NO.	NAME	I/O	FUNCTION
301	V22	D15/PTT7	I/O	Data bus/General purpose port	376	AC2	PTF5/LCDHSYN/LCDCS	I/O	General purpose port/Horizontal synchronization signal/Chip select
302	V23	D27/PTB3/IDEC51	I/O	Data bus/General purpose port/Chip select	377	AC3	PTM1/LCDVCPWC/SCIF0_RXD	I/O	General purpose port/Power supply control/Reception data
303	V24	D30/PTB6/TPUTO0/IDEA0	I/O	Data bus/General purpose port/Output signal/Address bus	378	AC4	VSS	I	Ground
304	V25	A1	O	Address bus	379	AC5	MDQ4	I/O	Data bus
305	W1	PTD1/LCDD9	I/O	General purpose port/LCD data bus	380	AC6	MDQ3	I/O	Data bus
306	W2	PTD2/LCDD10	I/O	General purpose port/LCD data bus	381	AC7	MDQ6	I/O	Data bus
307	W3	PTD6/LCDD14	I/O	General purpose port/LCD data bus	382	AC8	MDQS0	I/O	Data strobe
308	W4	PTE4/LCDD20/SCIF4_SCK	I/O	General purpose port/LCD data bus/Serial clock	383	AC9	MDQ0	I/O	Data bus
309	W5	VCCQ_LCD	I	I/O power supply	384	AC10	MA7	O	Address bus
310	W21	VCCQ1	I	I/O power supply	385	AC11	MA1	O	Address bus
311	W22	D23/PTA7/KEYOUT2/IDED15	I/O	Data bus/General purpose port/Key output	386	AC12	MA5	O	Address bus
312	W23	D24/PTB0/KEYOUT3/IDEINT	I/O	Data bus/General purpose port/Key output/Interrupt request	387	AC13	MA0	O	Address bus
313	W24	D28/PTB4/IDEC50	I/O	Data bus/General purpose port/Chip select	388	AC14	MA12	O	Address bus
314	W25	A0	O	Address bus	389	AC15	MCLK	O	Synchronous clock
315	Y1	PTD5/LCDD13	I/O	General purpose port/LCD data bus	390	AC16	MDQ20	I/O	Data bus
316	Y2	PTD7/LCDD15	I/O	General purpose port/LCD data bus	391	AC17	MDQM2	O	Data mask 2
317	Y3	PTE1/LCDD17	I/O	General purpose port/LCD data bus	392	AC18	MDQS2	I/O	Data strobe
318	Y4	PTF7/LCDVSYN	I/O	General purpose port/Vertical synchronization signal	393	AC19	MDQ23	I/O	Data bus
319	Y5	VSS	I	Ground	394	AC20	MDQ18	I/O	Data bus
320	Y21	VSS	I	Ground	395	AC21	D1/PTQ1	I/O	Data bus/General purpose port
321	Y22	D7/PTQ7	I/O	Data bus/General purpose port	396	AC22	D5/PTQ5	I/O	Data bus/General purpose port
322	Y23	D20/PTA4/KEYIN4/DED12	I/O	Data bus/General purpose port/Key input	397	AC23	D10/PTT2	I/O	Data bus/General purpose port
323	Y24	D26/PTB2/KEYOUT5/KEYIN5/IDEI0RD	I/O	Data bus/General purpose port/Key output/Key input/RD enable	398	AC24	D13/PTT5	I/O	Data bus/General purpose port
324	Y25	D29/PTB5/ODDREQ	I/O	Data bus/General purpose port/DMA request	399	AC25	D18/PTA2/KEYIN2/IDED10	I/O	Data bus/General purpose port/Key input
325	AA1	PTE2/LCDD18/SCIF4_TXD	I/O	General purpose port/LCD data bus/Transmission data	400	AD1	PTF6/LCDDISP/LCDRS	I/O	General purpose port/Display enable signal/Register select
326	AA2	PTE3/LCDD19/SCIF4_RXD	I/O	General purpose port/LCD data bus/Reception data	401	AD2	VSS	I	Ground
327	AA3	PTF0/LCDD22/SCIF2_RXD	I/O	General purpose port/LCD data bus/Reception data	402	AD3	MDQ12	I/O	Data bus
328	AA4	PTF3/LCDDCK/LCDWR	I/O	General purpose port/Dot clock signal/Write strobe	403	AD4	MDQ14	I/O	Data bus
329	AA5	VSS	I	Ground	404	AD5	MDQM1	O	Data mask 1
330	AA6	VSS	I	Ground	405	AD6	MDQST	I/O	Data strobe
331	AA7	MVREF0	I	Reference voltage input	406	AD7	MDQ15	I/O	Data bus
332	AA8	VCCQ_DDR	I	IO power supply for DDR	407	AD8	MDQ13	I/O	Data bus
333	AA9	VCCQ_DDR	I	IO power supply for DDR	408	AD9	MDQ5	I/O	Data bus
334	AA10	VSS	I	Ground	409	AD10	MA3	O	Address bus
335	AA11	VCCQ_DDR	I	IO power supply for DDR	410	AD11	MBA2	O	Bank address
336	AA12	VCCQ_DDR	I	IO power supply for DDR	411	AD12	MBA1	O	Bank address
337	AA13	VSS	I	Ground	412	AD13	M \overline{R} AS	O	Row address strobe
338	AA14	VCCQ_DDR	I	IO power supply for DDR	413	AD14	MCS	O	Chip select
339	AA15	VCCQ_DDR	I	IO power supply for DDR	414	AD15	MA6	O	Address bus
340	AA16	VSS	I	Ground	415	AD16	MDQ19	I/O	Data bus
341	AA17	MVREF1	I	Reference voltage input	416	AD17	MDQ27	I/O	Data bus
342	AA18	VCCQ_DDR	I	IO power supply for DDR	417	AD18	MDQ25	I/O	Data bus
343	AA19	VCCQ_DDR	I	IO power supply for DDR	418	AD19	MDQS3	I/O	Data strobe
344	AA20	VSS	I	Ground	419	AD20	MDQ24	I/O	Data bus
345	AA21	VSS	I	Ground	420	AD21	MDQ26	I/O	Data bus
346	AA22	D11/PTT3	I/O	Data bus/General purpose port	421	AD22	MDQ21	I/O	Data bus
347	AA23	D16/PTA0/KEYIN0/IDED8	I/O	Data bus/General purpose port/Key input	422	AD23	D6/PTQ6	I/O	Data bus/General purpose port
348	AA24	D19/PTA3/KEYIN3/DED11	I/O	Data bus/General purpose port/Key input	423	AD24	D9/PTT1	I/O	Data bus/General purpose port
349	AA25	D25/PTB1/KEYOUT4/KEYIN6/IDEI0WR	I/O	Data bus/General purpose port/Key output/Key input/WR Enable	424	AD25	D14/PTT6	I/O	Data bus/General purpose port
350	AB1	PTE5/LCDD21/SCIF2_TXD	I/O	General purpose port/LCD data bus/Transmission data	425	AE1	VSS	I	Ground
351	AB2	PTF2/LCDVCPWC/SCIF0_TXD	I/O	General purpose port/Power supply control/Transmission data	426	AE2	VCCQ_DDR	I	IO power supply for DDR
352	AB3	PTF4/LCDDON	I/O	General purpose port/Display ON/OFF signal	427	AE3	MDQ9	I/O	Data bus
353	AB4	PTM0/LCDRD/SCIF0_SCK	I/O	General purpose port/Read strobe/Serial clock	428	AE4	MDQ11	I/O	Data bus
354	AB5	MSLD	I	Memory select	429	AE5	MDQS1	I/O	Data strobe
355	AB6	MDQ1	I/O	Data bus	430	AE6	MDQ8	I/O	Data bus
356	AB7	MDQM0	O	Data mask 0	431	AE7	MDQ10	I/O	Data bus
357	AB8	MDQS0	I/O	Data strobe	432	AE8	MDQ7	I/O	Data bus
358	AB9	MDQ2	I/O	Data bus	433	AE9	MA13	O	Address bus
359	AB10	MA9	O	Address bus	434	AE10	MA10	O	Address bus
360	AB11	MCKE	O	Clock enable	435	AE11	MBA0	O	Bank address
361	AB12	MA4	O	Address bus	436	AE12	M \overline{W} E	O	Write enable
362	AB13	MCAS	O	Column address strobe	437	AE13	MODT	O	ODT enable
363	AB14	MA8	O	Address bus	438	AE14	MA2	O	Address bus
364	AB15	MCLK	O	Synchronous clock	439	AE15	MA11	O	Address bus
365	AB16	MDQ17	I/O	Data bus	440	AE16	MDQ28	I/O	Data bus
366	AB17	MDQ22	I/O	Data bus	441	AE17	MDQ30	I/O	Data bus
367	AB18	MDQS2	I/O	Data strobe	442	AE18	MDQM3	O	Data mask 3
368	AB19	MDQ16	I/O	Data bus	443	AE19	MDQS3	I/O	Data strobe
369	AB20	D0/PTQ0	I/O	Data bus/General purpose port	444	AE20	MDQ31	I/O	Data bus
370	AB21	D3/PTQ3	I/O	Data bus/General purpose port	445	AE21	MDQ29	I/O	Data bus
371	AB22	D8/PTT0	I/O	Data bus/General purpose port	446	AE22	VCCQ_DDR	I	IO power supply for DDR
372	AB23	D12/PTT4	I/O	Data bus/General purpose port	447	AE23	D2/PTQ2	I/O	Data bus/General purpose port
373	AB24	D17/PTA1/KEYIN1/IDED9	I/O	Data bus/General purpose port/Key input	448	AE24	D4/PTQ4	I/O	Data bus/General purpose port
374	AB25	D22/PTA6/KEYOUT1/IDED14	I/O	Data bus/General purpose port/Key output	449	AE25	VSS	I	Ground
375	AC1	PTF1/LCDD23/SCIF2_SCK	I/O	General purpose port/LCD data bus/Serial clock					

● R8A02032BG (X8810A00) CPU (SWX02)

DNTU: IC001

PIN NO.	OUTER NO.	NAME	I/O	FUNCTION	PIN NO.	OUTER NO.	NAME	I/O	FUNCTION
1	A1	VSS	-	Ground	80	D20	VSSPLL	-	PLL analog ground
2	A2	AN2	I	ADC analog input 2	81	E1	MD6	I/O	Wave memory data bus 6
3	A3	AN1	I	ADC analog input 1	82	E2	MD7	I/O	Wave memory data bus 7
4	A4	VSS	-	Ground	83	E3	MD8	I/O	Wave memory data bus 8
5	A5	RxD1	I	Serial input 1	84	E4	MD9	I/O	Wave memory data bus 9
6	A6	SCK1	I	External sync. clock input 1	85	E5	VDD	-	Power supply +1.2 V
7	A7	UCLK	I	USB external clock input (48 MHz)	86	E6	VDD	-	
8	A8	VSS	-	Ground	87	E7	VSS	-	Ground
9	A9	FUNC_DM	I/O	USB function data -	88	E8	VCCQ	-	Power supply +3.3 V
10	A10	VSS	-	Ground	89	E9	VSS	-	Ground
11	A11	HOST_DM	I/O	USB host data -	90	E10	VCCQ	-	Power supply +3.3 V
12	A12	POWER_ENB	O	USB voltage enable	91	E11	VCCQ	-	
13	A13	XTAL	O	Crystal oscillator output	92	E12	VSS	-	Ground
14	A14	EXTAL	I	Crystal oscillator input (16.9344 MHz)	93	E13	VCCQ	-	Power supply +3.3 V
15	A15	VSS	-	Ground	94	E14	VSS	-	Ground
16	A16	CS7N/PJ6	O	SH2A-CPU chip select 7	95	E15	VDD	-	Power supply +1.2 V
17	A17	TRSTN	I	JTAG test reset input	96	E16	VDD	-	
18	A18	TDI	I	JTAG test data input	97	E17	D31/PF7	I/O	SH2A-CPU data bus 31
19	A19	TCK	I	JTAG test clock input	98	E18	D30/PF6	I/O	SH2A-CPU data bus 30
20	A20	VCCQ	-	Power supply +3.3 V	99	E19	D29/PF5	I/O	SH2A-CPU data bus 29
21	B1	MD15	I/O	Wave memory data bus 15	100	E20	D28/PF4	I/O	SH2A-CPU data bus 28
22	B2	VSS	-	Ground	101	F1	MD2	I/O	Wave memory data bus 2
23	B3	AN3	I	ADC analog input 3	102	F2	MD3	I/O	Wave memory data bus 3
24	B4	AN0	I	ADC analog input 0	103	F3	MD4	I/O	Wave memory data bus 4
25	B5	VSS	-	Ground	104	F4	MD5	I/O	Wave memory data bus 5
26	B6	TxD1	O	Serial output 1	105	F5	VDD	-	Power supply +1.2 V
27	B7	TxD0	O	Serial output 0	106	F16	VDD	-	
28	B8	VSS	-	Ground	107	F17	D27/PF3	I/O	SH2A-CPU data bus 27
29	B9	FUNC_DP	I/O	USB function data +	108	F18	D26/PF2	I/O	SH2A-CPU data bus 26
30	B10	VSS	-	Ground	109	F19	D25/PF1	I/O	SH2A-CPU data bus 25
31	B11	HOST_DP	I/O	USB host data +	110	F20	D24/PF0	I/O	SH2A-CPU data bus 24
32	B12	SCL	I/O	E bus (I2C) clock input/output (5V compatible)	111	G1	MA2	O	Wave memory address bus 2
33	B13	VSS	-	Ground	112	G2	MA1	O	Wave memory address bus 1
34	B14	VSS	-		113	G3	MD0	I/O	Wave memory data bus 0
35	B15	CS4N/PJ3	O	SH2A-CPU chip select 4	114	G4	MD1	I/O	Wave memory data bus 1
36	B16	TIOCC0A/PJ7	O	PWM output	115	G5	VSS	-	Ground
37	B17	TESTN	I	Test input	116	G16	VSS	-	
38	B18	TMS	I	JTAG test mode select input	117	G17	D23/PE7	I/O	SH2A-CPU data bus 23
39	B19	VCCQ	-	Power supply +3.3 V	118	G18	D22/PE6	I/O	SH2A-CPU data bus 22
40	B20	VCCQ	-		119	G19	D21/PE5	I/O	SH2A-CPU data bus 21
41	C1	MD13	I/O	Wave memory data bus 13	120	G20	D20/PE4	I/O	SH2A-CPU data bus 20
42	C2	MD14	I/O	Wave memory data bus 14	121	H1	MA6	O	Wave memory address bus 6
43	C3	VSS	-	Ground	122	H2	MA5	O	Wave memory address bus 5
44	C4	VREFADC	-	ADC reference power supply +3.3 V	123	H3	MA4	O	Wave memory address bus 4
45	C5	VSSADC	-	ADC analog ground	124	H4	MA3	O	Wave memory address bus 3
46	C6	VSS	-	Ground	125	H5	VCCQ	-	Power supply +3.3 V
47	C7	RxD0	I	Serial input 0	126	H16	VCCQ	-	
48	C8	VSS	-	Ground	127	H17	D19/PE3	I/O	SH2A-CPU data bus 19
49	C9	VBUS	I	USB cable connection monitor (5V compatible)	128	H18	D18/PE2	I/O	SH2A-CPU data bus 18
50	C10	VSS	-	Ground	129	H19	VCCQ	-	Power supply +3.3 V
51	C11	OVER_CURRENT_N	I	USB overcurrent detection (5V compatible)	130	H20	VCCQ	-	
52	C12	SDA	I/O	E bus (I2C) data input/output (5V compatible)	131	J1	MA10	O	Wave memory address bus 10
53	C13	CS0N	O	SH2A-CPU chip select 0	132	J2	MA9	O	Wave memory address bus 9
54	C14	CS2N/PJ1	O	SH2A-CPU chip select 2	133	J3	MA8	O	Wave memory address bus 8
55	C15	CS5N/PJ4	O	SH2A-CPU chip select 5	134	J4	MA7	O	Wave memory address bus 7
56	C16	ASEMDN	I	Debug mode configuration	135	J5	VSS	-	Ground
57	C17	TDO	O	JTAG test data output	136	J9	VSS	-	
58	C18	VCCQ	-	Power supply +3.3 V	137	J10	VSS	-	Ground
59	C19	VDDPLL	-	PLL analog power supply +1.2 V	138	J11	VSS	-	
60	C20	VDDPLL	-		139	J12	VSS	-	
61	D1	MD10	I/O	Wave memory data bus 10	140	J16	VSS	-	SH2A-CPU data bus 17
62	D2	MD11	I/O	Wave memory data bus 11	141	J17	D17/PE1	I/O	
63	D3	MD12	I/O	Wave memory data bus 12	142	J18	D16/PE0	I/O	Clock output control for SDRAM
64	D4	VSS	-	Ground	143	J19	CKOEN	I	Clock output for SDRAM
65	D5	VCCADC	-	ADC analog power supply +3.3 V	144	J20	CKIO	O	Wave memory address bus 14
66	D6	VSS	-	Ground	145	K1	MA14	O	Wave memory address bus 13
67	D7	RESN	I	Hardware reset	146	K2	MA13	O	Wave memory address bus 12
68	D8	VCCQ	-	Power supply +3.3 V	147	K3	MA12	O	Wave memory address bus 11
69	D9	PULLUP_ENB	O	USB pull-up enable	148	K4	MA11	O	Power supply +1.2 V
70	D10	VCCQ	-	Power supply +3.3 V	149	K5	VDD	-	Ground
71	D11	UCTL	I	USB output control	150	K9	VSS	-	
72	D12	EICN	O	E bus reset output	151	K10	VSS	-	Ground
73	D13	CS1N/PJ0	O	SH2A-CPU chip select 1	152	K11	VSS	-	
74	D14	CS3N/PJ2	O	SH2A-CPU chip select 3	153	K12	VSS	-	Power supply +1.2 V
75	D15	CS6N/PJ5	O	SH2A-CPU chip select 6	154	K16	VDD	-	
76	D16	ASEBRKAKN	I/O	Emulator break	155	K17	CKE	O	SH2A-CPU data bus 15
77	D17	VCCQ	-	Power supply +3.3 V	156	K18	D15	I/O	Ground
78	D18	VCCQ	-		157	K19	VSS	-	
79	D19	VSSPLL	-	PLL analog ground	158	K20	VSS	-	

PIN NO.	OUTER NO.	NAME	I/O	FUNCTION	PIN NO.	OUTER NO.	NAME	I/O	FUNCTION	
159	L1	MA15	O	Wave memory address bus 15	238	U2	PA6	I/O	Parallel port A6	
160	L2	MA16	O	Wave memory address bus 16	239	U3	PA7	I/O	Parallel port A7	
161	L3	MA17	O	Wave memory address bus 17	240	U4	VCCQ	-	Power supply +3.3 V	
162	L4	MA18	O	Wave memory address bus 18	241	U5	ED1/PC1	I/O	External CPU data bus 1	
163	L5	VDD	-	Power supply +1.2 V	242	U6	ED5/PC5	I/O	External CPU data bus 5	
164	L9	VSS	-	Ground	243	U7	ED9/PD1	I/O	External CPU data bus 9	
165	L10	VSS	-		244	U8	ED13/PD5	I/O	External CPU data bus 13	
166	L11	VSS	-		245	U9	EA2/PK1	I	External CPU address bus 2	
167	L12	VSS	-		246	U10	ECSN	I	External CPU chip select	
168	L16	VDD	-	Power supply +1.2 V	247	U11	BCLK	O	Bit clock output	
169	L17	D11	I/O	SH2A-CPU data bus 11	248	U12	IRQ0	I	Interrupt input 0	
170	L18	D12	I/O	SH2A-CPU data bus 12	249	U13	A25	O	SH2A-CPU address bus 25	
171	L19	D13	I/O	SH2A-CPU data bus 13	250	U14	A21	O	SH2A-CPU address bus 21	
172	L20	D14	I/O	SH2A-CPU data bus 14	251	U15	A17	O	SH2A-CPU address bus 17	
173	M1	MA19	O	Wave memory address bus 19	252	U16	A13	O	SH2A-CPU address bus 13	
174	M2	MA20	O	Wave memory address bus 20	253	U17	VCCQ	-	Power supply +3.3 V	
175	M3	MA21	O	Wave memory address bus 21	254	U18	A3	O	SH2A-CPU address bus 3	
176	M4	MA22	O	Wave memory address bus 22	255	U19	A2	O	SH2A-CPU address bus 2	
177	M5	VSS	-	Ground	256	U20	A1	O	SH2A-CPU address bus 1	
178	M9	VSS	-		257	V1	PB0	I/O	Parallel port B0	
179	M10	VSS	-		258	V2	PB1	I/O	Parallel port B1	
180	M11	VSS	-		259	V3	VCCQ	-	Power supply +3.3 V	
181	M12	VSS	-	260	V4	PB6	I/O	Parallel port B6		
182	M16	VSS	-	261	V5	ED2/PC2	I/O	External CPU data bus 2		
183	M17	D7	I/O	SH2A-CPU data bus 7	262	V6	ED6/PC6	I/O	External CPU data bus 6	
184	M18	D8	I/O	SH2A-CPU data bus 8	263	V7	ED10/PD2	I/O	External CPU data bus 10	
185	M19	D9	I/O	SH2A-CPU data bus 9	264	V8	ED14/PD6	I/O	External CPU data bus 14	
186	M20	D10	I/O	SH2A-CPU data bus 10	265	V9	EA3/PK2	I	External CPU address bus 3	
187	N1	MA23/PG4	O	Wave memory address bus 23	266	V10	SDI0/PK5	I	Serial audio input 0	
188	N2	MA24/PG5	O	Wave memory address bus 24	267	V11	WCLK2/SDO2	O	Word clock output 2/Serial audio output 2	
189	N3	MA25/PG6	O	Wave memory address bus 25	268	V12	IRQ1	I	Interrupt input 1	
190	N4	MA26/PG7	O	Wave memory address bus 26	269	V13	BW_MD0	I	SH2A-CPU data bus width configuration	
191	N5	VCCQ	-	Power supply +3.3 V	270	V14	A22/PH5	O	SH2A-CPU address bus 22	
192	N16	VCCQ	-		271	V15	A18	O	SH2A-CPU address bus 18	
193	N17	D3	I/O		SH2A-CPU data bus 3	272	V16	A14	O	SH2A-CPU address bus 14
194	N18	D4	I/O		SH2A-CPU data bus 4	273	V17	A10	O	SH2A-CPU address bus 10
195	N19	D5	I/O	SH2A-CPU data bus 5	274	V18	VCCQ	-	Power supply +3.3 V	
196	N20	D6	I/O	SH2A-CPU data bus 6	275	V19	A5	O	SH2A-CPU address bus 5	
197	P1	MCS3N/PG3	O	Wave memory chip select 3	276	V20	A4	O	SH2A-CPU address bus 4	
198	P2	MCS2N/PG2	O	Wave memory chip select 2	277	W1	PB2	I/O	Parallel port B2	
199	P3	MCS1N/PG1	O	Wave memory chip select 1	278	W2	VCCQ	-	Power supply +3.3 V	
200	P4	MWRN/PG0	O	Wave memory write enable	279	W3	PB4	I/O	Parallel port B4	
201	P5	VSS	-	Ground	280	W4	PB7	I/O	Parallel port B7	
202	P16	VSS	-		281	W5	ED3/PC3	I/O	External CPU data bus 3	
203	P17	RD/WRN	O		SH2A-CPU read/write enable	282	W6	ED7/PC7	I/O	External CPU data bus 7
204	P18	D0	I/O		SH2A-CPU data bus 0	283	W7	ED11/PD3	I/O	External CPU data bus 11
205	P19	D1	I/O	SH2A-CPU data bus 1	284	W8	ED15/PD7	I/O	External CPU data bus 15	
206	P20	D2	I/O	SH2A-CPU data bus 2	285	W9	ERDN/PK3	I	External CPU read enable	
207	R1	MCS0N	O	Wave memory chip select 0	286	W10	SDI1/PK6	I	Serial audio input 1	
208	R2	MRDN	O	Wave memory read enable	287	W11	WCLK	O	Word clock output	
209	R3	BTCHG	I	BOOT ROM switching control	288	W12	SYSCLK2	O	Clock output 2	
210	R4	PA0	I/O	Parallel port A0	289	W13	WAITN/PK7	I	External wait input	
211	R5	VDD	-	Power supply +1.2 V	290	W14	A23/PH6	O	SH2A-CPU address bus 23	
212	R16	VDD	-		291	W15	A19	O	SH2A-CPU address bus 19	
213	R17	WE3NDQM/UUPH3	O		Writing byte of D31 - D24/Selecting D31 - D24 in case of SDRAM	292	W16	A15	O	SH2A-CPU address bus 15
214	R18	RASLN	O		RAS output for SDRAM	293	W17	A11	O	SH2A-CPU address bus 11
215	R19	CASLN	O	CAS output for SDRAM	294	W18	A8	O	SH2A-CPU address bus 8	
216	R20	RDN	O	SH2A-CPU read enable	295	W19	VCCQ	-	Power supply +3.3 V	
217	T1	PA1	I/O	Parallel port A1	296	W20	A6	O	SH2A-CPU address bus 6	
218	T2	PA2	I/O	Parallel port A2	297	Y1	VCCQ	-	Power supply +3.3 V	
219	T3	PA3	I/O	Parallel port A3	298	Y2	PB3	I/O	Parallel port B3	
220	T4	PA4	I/O	Parallel port A4	299	Y3	PB5	I/O	Parallel port B5	
221	T5	VDD	-	Power supply +1.2 V	300	Y4	ED0/PC0	I/O	External CPU data bus 0	
222	T6	VDD	-		301	Y5	ED4/PC4	I/O	External CPU data bus 4	
223	T7	VSS	-		302	Y6	ED8/PD0	I/O	External CPU data bus 8	
224	T8	VCCQ	-		Power supply +3.3 V	303	Y7	ED12/PD4	I/O	External CPU data bus 12
225	T9	VSS	-	Ground	304	Y8	EA1/PK0	I	External CPU address bus 1	
226	T10	VCCQ	-	Power supply +3.3 V	305	Y9	EWRN/PK4	I	External CPU write enable	
227	T11	VCCQ	-		306	Y10	SDO0	O	Serial audio output 0	
228	T12	VSS	-		307	Y11	SDO1	O	Serial audio output 1	
229	T13	VCCQ	-		Power supply +3.3 V	308	Y12	SYSCLK	O	Clock output
230	T14	VSS	-	Ground	309	Y13	SYI	I	Sync. input from external device	
231	T15	VDD	-	Power supply +1.2 V	310	Y14	A24/PH7	O	SH2A-CPU address bus 24	
232	T16	VDD	-		311	Y15	A20	O	SH2A-CPU address bus 20	
233	T17	A0/PH4	O		SH2A-CPU address bus 0	312	Y16	A16	O	SH2A-CPU address bus 16
234	T18	WE3NDQMLL/PH0	O		Writing byte of D7 - D0/Selecting D7 - D0 in case of SDRAM	313	Y17	A12	O	SH2A-CPU address bus 12
235	T19	WE3NDQMLL/PH1	O	Writing byte of D15 - D8/Selecting D15 - D8 in case of SDRAM	314	Y18	A9	O	SH2A-CPU address bus 9	
236	T20	WE3NDQMLL/PH2	O	Writing byte of D23 - D16/Selecting D23 - D16 in case of SDRAM	315	Y19	A7	O	SH2A-CPU address bus 7	
237	U1	PA5	I/O	Parallel port A5	316	Y20	VCCQ	-	Power supply +3.3 V	

- M38039G4H-819HP (YE031100) CPU (EC-PNS1)
- M38039G4H-820HP (YE031200) CPU (EC)
- M38039G4HHP (YD803A00) CPU (LCDC)

PN8: IC001, PNLN: IC001, PNM: IC001
HAAD: IC903
LCDC: IC101

PIN NO.	NAME	I/O	FUNCTION	PIN NO.	NAME	I/O	FUNCTION
1	P62/AN2	I/O	I/O port P6 / A/D converter input pin	33	P17	I/O	I/O port P1
2	P61/AN1	I/O	I/O port P6 / A/D converter input pin	34	P16	I/O	I/O port P1
3	P60/AN0	I/O	I/O port P6 / A/D converter input pin	35	P15	I/O	I/O port P1
4	P57/INT3	I/O	I/O port P5 / Interrupt input pin	36	P14	I/O	I/O port P1
5	P56/PWM	I/O	I/O port P5 / PWM output pin	37	P13	I/O	I/O port P1
6	P55/CNTR1	I/O	I/O port P5 / Timer Y function pin	38	P12	I/O	I/O port P1
7	P54/CNTR0	I/O	I/O port P5 / Timer X function pin	39	P11/INT01	I/O	I/O port P1 / Interrupt input pin
8	P53/SRDY2	I/O	I/O port P5 / Serial I/O2 function pin	40	P10/INT41	I/O	I/O port P1 / Interrupt input pin
9	P52/SCLK2	I/O	I/O port P5 / Serial I/O2 function pin	41	P07/AN15	I/O	I/O port P0 / A/D converter input pin
10	P51/SOUT2	I/O	I/O port P5 / Serial I/O2 function pin	42	P06/AN14	I/O	I/O port P0 / A/D converter input pin
11	P50/SIN2	I/O	I/O port P5 / Serial I/O2 function pin	43	P05/AN13	I/O	I/O port P0 / A/D converter input pin
12	P47/SRDY1/CNTR2	I/O	I/O port P4 / Serial I/O1, timer Z function pin	44	P04/AN12	I/O	I/O port P0 / A/D converter input pin
13	P46/SCLK1	I/O	I/O port P4 / Serial I/O1 function pin	45	P03/AN11	I/O	I/O port P0 / A/D converter input pin
14	P45/TXD1	I/O	I/O port P4 / Serial I/O1 function pin	46	P02/AN10	I/O	I/O port P0 / A/D converter input pin
15	P44/RXD1	I/O	I/O port P4 / Serial I/O1 function pin	47	P01/AN9	I/O	I/O port P0 / A/D converter input pin
16	P43/INT2	I/O	I/O port P4 / Interrupt input pin	48	P00/AN8	I/O	I/O port P0 / A/D converter input pin
17	P42/INT1	I/O	I/O port P4 / Interrupt input pin	49	P37/SRDY3	I/O	I/O port P3 / Serial I/O3 function pin
18	CNV _{SS}	I	CNVSS input	50	P36/SCLK3	I/O	I/O port P3 / Serial I/O3 function pin
19	RESET	I	Reset input	51	P35/TXD3	I/O	I/O port P3 / Serial I/O3 function pin
20	P41/INT00/ XCIN	I/O	I/O port P4 / Interrupt input pin / Sub-clock generating I/O pin (resonator connected)	52	P34/RXD3	I/O	I/O port P3 / Serial I/O3 function pin
21	P40/INT40/ XCOUT	I/O	I/O port P4 / Interrupt input pin / Sub-clock generating I/O pin (resonator connected)	53	P33	I/O	I/O port P3
22	X _{IN}	I	Clock input	54	P32	I/O	I/O port P3
23	X _{OUT}	O	Clock output	55	P31/DA2	I/O	I/O port P3 / D/A converter input pin
24	V _{SS}	-	Power source	56	P30/DA1	I/O	I/O port P3 / D/A converter input pin
25	P27(LED7)	I/O	I/O port P2	57	V _{CC}	-	Power source
26	P26(LED6)	I/O	I/O port P2	58	V _{REF}	I	Reference voltage
27	P25(LED5)	I/O	I/O port P2	59	AV _{SS}	I	Analog power source
28	P24(LED4)	I/O	I/O port P2	60	P67/AN7	I/O	I/O port P6 / A/D converter input pin
29	P23(LED3)	I/O	I/O port P2	61	P66/AN6	I/O	I/O port P6 / A/D converter input pin
30	P22(LED2)	I/O	I/O port P2	62	P65/AN5	I/O	I/O port P6 / A/D converter input pin
31	P21(LED1)	I/O	I/O port P2	63	P64/AN4	I/O	I/O port P6 / A/D converter input pin
32	P20(LED0)	I/O	I/O port P2	64	P63/AN3	I/O	I/O port P6 / A/D converter input pin

- LPC1313FBD48/01 (YD649A00) CPU (C-MB2)

MB: IC001

PIN NO.	NAME	I/O	FUNCTION	PIN NO.	NAME	I/O	FUNCTION
1	PIO2_6	I/O	General purpose digital input/output pin.	24	PIO2_9	I/O	General purpose digital input/output pin.
2	PIO2_0	I/O	General purpose digital input/output pin.	25	PIO2_10	I/O	General purpose digital input/output pin.
3	RESET	I	External reset input with 20 ns glitch filter.	26	PIO2_2	I/O	General purpose digital input/output pin.
4	CLKOUT	O	Clockout pin.	27	PIO0_8	I/O	General purpose digital input/output pin.
5	V _{SS}	I	Ground.	28	PIO0	I/O	General purpose digital input/output pin.
6	XTALIN	I	Input to the oscillator circuit and internal clock generator circuits.	29	SWCLK	I	Serial wire clock.
7	XTALOUT	O	Output from the oscillator amplifier.	30	PIO1_10	I/O	General purpose digital input/output pin.
8	V _{DD}	I	3.3 V supply voltage to the internal regulator, the external rail, and the ADC. Also used as the ADC reference voltage.	31	PIO2_11	I/O	General purpose digital input/output pin.
9	PIO1_8	I/O	General purpose digital input/output pin.	32	R	-	Reserved.
10	SSEL0	I/O	Slave select for SSP0.	33	R	-	Reserved.
11	PIO2_7	I/O	General purpose digital input/output pin.	34	R	-	Reserved.
12	PIO2_8	I/O	General purpose digital input/output pin.	35	R	-	Reserved.
13	PIO2_1	I/O	General purpose digital input/output pin.	36	PIO3_0	I/O	General purpose digital input/output pin.
14	PIO0_3	I/O	General purpose digital input/output pin.	37	PIO3_1	I/O	General purpose digital input/output pin.
15	SCL	I/O	I2C-bus clock input/output (open-drain).	38	PIO2_3	I/O	General purpose digital input/output pin.
16	SDA	I/O	I2C-bus data input/output (open-drain).	39	SWDIO	I/O	Serial wire debug input/output.
17	PIO1_9	I/O	General purpose digital input/output pin.	40	PIO1_4	I/O	General purpose digital input/output pin.
18	PIO3_4	I/O	General purpose digital input/output pin.	41	V _{SS}	I	Ground.
19	PIO2_4	I/O	General purpose digital input/output pin.	42	PIO1_11	I/O	General purpose digital input/output pin.
20	PIO2_5	I/O	General purpose digital input/output pin.	43	PIO3_2	I/O	General purpose digital input/output pin.
21	PIO3_5	I/O	General purpose digital input/output pin.	44	V _{DD}	I	3.3 V supply voltage to the internal regulator, the external rail, and the ADC. Also used as the ADC reference voltage.
22	PIO0_6	I/O	General purpose digital input/output pin.	45	PIO1_5	I/O	General purpose digital input/output pin.
23	PIO0_7	I/O	General purpose digital input/output pin (high-current output driver).	46	RXD	I	Receiver input for UART.
				47	TXD	O	Transmitter output for UART.
				48	PIO3_3	I/O	General purpose digital input/output pin.

● LPC1763FBD100 (YE518A00) CPU (C-MD1)

PNM: IC005

PIN NO.	NAME	I/O	FUNCTION	PIN NO.	NAME	I/O	FUNCTION
1	SWO	O	Serial wire trace output.	51	P2[12]	I/O	General purpose digital input/output pin.
2	TDI	I	Test Data in for JTAG interface.	52	P2[11]	I/O	General purpose digital input/output pin.
3	SWDIO	I/O	Serial wire debug data input/output.	53	EINT0	I	External interrupt 0 input.
4	TRST	I	Test Reset for JTAG interface.	54	VDD(3V3)	I	3.3 V supply voltage.
5	SWDCLK	I	Serial wire clock.	55	VSS	I	Ground
6	P0[26]	I/O	General purpose digital input/output pin.	56	P0[22]	I/O	General purpose digital input/output pin.
7	P0[25]	I/O	General purpose digital input/output pin.	57	P0[21]	I/O	General purpose digital input/output pin.
8	P0[24]	I/O	General purpose digital input/output pin.	58	P0[20]	I/O	General purpose digital input/output pin.
9	P0[23]	I/O	General purpose digital input/output pin.	59	P0[19]	I/O	General purpose digital input/output pin.
10	VDDA	I	Analog 3.3 V pad supply voltage.	60	P0[18]	I/O	General purpose digital input/output pin.
11	VSSA	I	Analog Ground	61	P0[17]	I/O	General purpose digital input/output pin.
12	VREFP	I	ADC positive reference voltage.	62	P0[15]	I/O	General purpose digital input/output pin.
13	n.c.	-	Not connected.	63	P0[16]	I/O	General purpose digital input/output pin.
14	RSTOUT	O	This is a 3.3 V pin. LOW on this pin indicates the microcontroller being in Reset state.	64	P2[9]	I/O	General purpose digital input/output pin.
15	VREFN	I	ADC negative reference voltage.	65	P2[8]	I/O	General purpose digital input/output pin.
16	RTCX1	I	Input to the RTC oscillator circuit.	66	P2[7]	I/O	General purpose digital input/output pin.
17	RESET	I	External reset input.	67	P2[6]	I/O	General purpose digital input/output pin.
18	RTCX2	O	Output from the RTC oscillator circuit.	68	P2[5]	I/O	General purpose digital input/output pin.
19	VBAT	I	RTC pin power supply.	69	P2[4]	I/O	General purpose digital input/output pin.
20	P1[31]	I/O	General purpose digital input/output pin.	70	P2[3]	I/O	General purpose digital input/output pin.
21	P1[30]	I/O	General purpose digital input/output pin.	71	VDD(3V3)	I	3.3 V supply voltage.
22	XTAL1	I	Input to the oscillator circuit and internal clock generator circuits.	72	VSS	I	Ground
23	XTAL2	O	Output from the oscillator amplifier.	73	P2[2]	I/O	General purpose digital input/output pin.
24	SCL0	I/O	I ² C0 clock input/output. Open-drain output (for I ² C-bus compliance).	74	P2[1]	I/O	General purpose digital input/output pin.
25	SDA0	I/O	I ² C0 data input/output. Open-drain output (for I ² C-bus compliance).	75	P2[0]	I/O	General purpose digital input/output pin.
26	P3[26]	I/O	General purpose digital input/output pin.	76	MISO1	I/O	Master Out Slave In for SSP1.
27	P3[25]	I/O	General purpose digital input/output pin.	77	P0[8]	I/O	General purpose digital input/output pin.
28	VDD(3V3)	I	3.3 V supply voltage.	78	SCK1/MAT2[1]	I/O	Serial Clock for SSP1.
29	P0[29]	I/O	General purpose digital input/output pin.	79	P0[6]	I/O	General purpose digital input/output pin.
30	P0[30]	I/O	General purpose digital input/output pin.	80	P0[5]	I/O	General purpose digital input/output pin.
31	VSS	I	Ground	81	P0[4]	I/O	General purpose digital input/output pin.
32	P1[18]	I/O	General purpose digital input/output pin.	82	P4[28]	I/O	General purpose digital input/output pin.
33	P1[19]	I/O	General purpose digital input/output pin.	83	VSS	I	Ground
34	P1[20]	I/O	General purpose digital input/output pin.	84	VDD(REG)(3V3)	I	3.3 V voltage regulator supply voltage.
35	P1[21]	I/O	General purpose digital input/output pin.	85	P4[29]	I/O	General purpose digital input/output pin.
36	P1[22]	I/O	General purpose digital input/output pin.	86	P1[17]	I/O	General purpose digital input/output pin.
37	P1[23]	I/O	General purpose digital input/output pin.	87	P1[16]	I/O	General purpose digital input/output pin.
38	P1[24]	I/O	General purpose digital input/output pin.	88	P1[15]	I/O	General purpose digital input/output pin.
39	P1[25]	I/O	General purpose digital input/output pin.	89	P1[14]	I/O	General purpose digital input/output pin.
40	P1[26]	I/O	General purpose digital input/output pin.	90	P1[10]	I/O	General purpose digital input/output pin.
41	VSS	I	Ground	91	P1[9]	I/O	General purpose digital input/output pin.
42	VDD(REG)(3V3)	I	3.3 V voltage regulator supply voltage.	92	P1[8]	I/O	General purpose digital input/output pin.
43	P1[27]	I/O	General purpose digital input/output pin.	93	P1[4]	I/O	General purpose digital input/output pin.
44	P1[28]	I/O	General purpose digital input/output pin.	94	P1[1]	I/O	General purpose digital input/output pin.
45	P1[29]	I/O	General purpose digital input/output pin.	95	P1[0]	I/O	General purpose digital input/output pin.
46	P0[0]	I/O	General purpose digital input/output pin.	96	VDD(3V3)	I	3.3 V supply voltage.
47	P0[1]	I/O	General purpose digital input/output pin.	97	VSS	I	Ground
48	P0[10]	I/O	General purpose digital input/output pin.	98	TXD0	O	Transmitter output for UART0.
49	P0[11]	I/O	General purpose digital input/output pin.	99	RXD0	I	Receiver input for UART0.
50	P2[13]	I/O	General purpose digital input/output pin.	100	RTCK	O	JTAG interface control signal.

• ADSP-21369KBPZ-3A (X8847A00) SHARC PROCESSORS

FX: IC101

PIN NO.	BALL NO.	NAME	I/O	FUNCTION	PIN NO.	BALL NO.	NAME	I/O	FUNCTION
1	A01	NC			65	D05	GND		
2	A02	TDI	I	Test Data Input (JTAG)	66	D06	VDDEXT		External (I/O) Supply Voltage
3	A03	TMS	I	Test Mode Select (JTAG)	67	D07	VDDINT		Internal (Core) Supply Voltage
4	A04	CLK_CFG0	I	Core/CLKIN Ratio Control	68	D08	GND		
5	A05	CLK_CFG1	I	Core/CLKIN Ratio Control	69	D09	VDDEXT		External (I/O) Supply Voltage
6	A06	EMU	O	Emulation Status	70	D10	VDDINT		Internal (Core) Supply Voltage
7	A07	DAI_P04 (SFS0)	I/O	Digital Applications Interface	71	D11	GND		
8	A08	DAI_P01 (SD0A)	I/O	Digital Applications Interface	72	D12	VDDEXT		External (I/O) Supply Voltage
9	A09	DPI_P14 (TIMER1)	I/O	Digital Peripheral Interface	73	D13	VDDINT		Internal (Core) Supply Voltage
10	A10	DPI_P12 (TWI_CLK)	I/O	Digital Peripheral Interface	74	D14	GND		
11	A11	DPI_P10 (UART0RX)	I/O	Digital Peripheral Interface	75	D15	VDDEXT		External (I/O) Supply Voltage
12	A12	DPI_P09 (UART0TX)	I/O	Digital Peripheral Interface	76	D16	GND		
13	A13	DPI_P07 (SPIFLG2)	I/O	Digital Peripheral Interface	77	D17	VDDEXT		External (I/O) Supply Voltage
14	A14	DPI_P06 (SPIFLG1)	I/O	Digital Peripheral Interface	78	D18	GND		
15	A15	DPI_P03 (SPICLK)	I/O	Digital Peripheral Interface	79	D19	DATA26	I/O	External Data
16	A16	DPI_P02 (SPIMISO)	I/O	Digital Peripheral Interface	80	D20	DATA24	I/O	External Data
17	A17	RESETOUT	O	Reset Out	81	E01	DAI_P11 (SD3A)	I/O	Digital Applications Interface
18	A18	DATA31	I/O	External Data	82	E02	DAI_P08 (SFS1)	I/O	Digital Applications Interface
19	A19	NC			83	E03	VDDINT		Internal (Core) Supply Voltage
20	A20	NC			84	E04	VDDINT		Internal (Core) Supply Voltage
21	B01	DAI_P05 (SD1A)	I/O	Digital Applications Interface	85	E17	GND		
22	B02	SDCLK1	O	SDRAM Clock Output 1	86	E18	GND		
23	B03	TRST	I	Test Reset (JTAG)	87	E19	DATA25	I/O	External Data
24	B04	TCK	I	Test Clock (JTAG)	88	E20	DATA23	I/O	External Data
25	B05	BOOT_CFG0	I	Boot Configuration Select	89	F01	DAI_P14 (SFS3)	I/O	Digital Applications Interface
26	B06	BOOT_CFG1	I	Boot Configuration Select	90	F02	DAI_P12 (SD3B)	I/O	Digital Applications Interface
27	B07	TDO	I/O	Test Data Output (JTAG)	91	F03	GND		
28	B08	DAI_P03 (SCLK0)	I/O	Digital Applications Interface	92	F04	GND		
29	B09	DAI_P02 (SD0B)	I/O	Digital Applications Interface	93	F17	VDDEXT		External (I/O) Supply Voltage
30	B10	DPI_P13 (TIMER0)	I/O	Digital Peripheral Interface	94	F18	GND		
31	B11	DPI_P11 (TWI_DATA)	I/O	Digital Peripheral Interface	95	F19	GND/ID2		
32	B12	DPI_P08 (SPIFLG3)	I/O	Digital Peripheral Interface	96	F20	DATA21	I/O	External Data
33	B13	DPI_P05 (SPIFLG0)	I/O	Digital Peripheral Interface	97	G01	DAI_P15 (SD4A)	I/O	Digital Applications Interface
34	B14	DPI_P04 (SPIDS)	I/O	Digital Peripheral Interface	98	G02	DAI_P13 (SCLK3)	I/O	Digital Applications Interface
35	B15	DPI_P01 (SPIMOSI)	I/O	Digital Peripheral Interface	99	G03	GND		
36	B16	RESET	I	Processor Reset	100	G04	VDDEXT		External (I/O) Supply Voltage
37	B17	DATA30	I/O	External Data	101	G17	VDDINT		Internal (Core) Supply Voltage
38	B18	DATA29	I/O	External Data	102	G18	VDDINT		Internal (Core) Supply Voltage
39	B19	DATA28	I/O	External Data	103	G19	DATA22	I/O	External Data
40	B20	NC			104	G20	DATA20	I/O	External Data
41	C01	DAI_P09 (SD2A)	I/O	Digital Applications Interface	105	H01	DAI_P17 (SD5A)	I/O	Digital Applications Interface
42	C02	DAI_P07 (SCLK1)	I/O	Digital Applications Interface	106	H02	DAI_P16 (SD4B)	I/O	Digital Applications Interface
43	C03	GND			107	H03	VDDINT		Internal (Core) Supply Voltage
44	C04	VDDEXT		External (I/O) Supply Voltage	108	H04	VDDINT		Internal (Core) Supply Voltage
45	C05	GND			109	H17	VDDEXT		External (I/O) Supply Voltage
46	C06	GND			110	H18	GND		
47	C07	VDDINT		Internal (Core) Supply Voltage	111	H19	DATA19	I/O	External Data
48	C08	GND			112	H20	DATA18	I/O	External Data
49	C09	GND			113	J01	DAI_P19 (SCLK5)	I/O	Digital Applications Interface
50	C10	VDDINT		Internal (Core) Supply Voltage	114	J02	DAI_P18 (SD5B)	I/O	Digital Applications Interface
51	C11	GND			115	J03	GND		
52	C12	GND			116	J04	GND		
53	C13	VDDINT		Internal (Core) Supply Voltage	117	J17	GND		
54	C14	GND			118	J18	GND		
55	C15	GND			119	J19	GND/ID1		
56	C16	VDDINT		Internal (Core) Supply Voltage	120	J20	DATA17	I/O	External Data
57	C17	VDDINT		Internal (Core) Supply Voltage	121	K01	FLAG0	I/O	FLAG0
58	C18	VDDINT		Internal (Core) Supply Voltage	122	K02	DAI_P20 (SFS5)	I/O	Digital Applications Interface
59	C19	DATA27	I/O	External Data	123	K03	GND		
60	C20	NC/RPBA			124	K04	VDDEXT		External (I/O) Supply Voltage
61	D01	DAI_P10 (SD2B)	I/O	Digital Applications Interface	125	K17	VDDINT		Internal (Core) Supply Voltage
62	D02	DAI_P06 (SD1B)	I/O	Digital Applications Interface	126	K18	VDDINT		Internal (Core) Supply Voltage
63	D03	GND			127	K19	GND/ID0		
64	D04	VDDEXT		External (I/O) Supply Voltage	128	K20	DATA16	I/O	External Data

PIN NO.	BALL NO.	NAME	I/O	FUNCTION	PIN NO.	BALL NO.	NAME	I/O	FUNCTION
129	L01	FLAG2	I/O	FLAG2	193	U17	VDDINT		Internal (Core) Supply Voltage
130	L02	FLAG1	I/O	FLAG1	194	U18	VDDINT		Internal (Core) Supply Voltage
131	L03	VDDINT		Internal (Core) Supply Voltage	195	U19	DATA0	I/O	External Data
132	L04	VDDINT		Internal (Core) Supply Voltage	196	U20	DATA2	I/O	External Data
133	L17	VDDINT		Internal (Core) Supply Voltage	197	V01	ADDR22	O	External Address
134	L18	VDDINT		Internal (Core) Supply Voltage	198	V02	ADDR23	O	External Address
135	L19	DATA15	I/O	External Data	199	V03	VDDINT		Internal (Core) Supply Voltage
136	L20	DATA14	I/O	External Data	200	V04	GND		
137	M01	ACK	I	Memory Acknowledge	201	V05	GND		
138	M02	FLAG3	I/O	FLAG3	202	V06	GND		
139	M03	GND			203	V07	GND		
140	M04	GND			204	V08	VDDINT		Internal (Core) Supply Voltage
141	M17	VDDEXT		External (I/O) Supply Voltage	205	V09	GND		
142	M18	GND			206	V10	GND		
143	M19	DATA12	I/O	External Data	207	V11	GND		
144	M20	DATA13	I/O	External Data	208	V12	VDDINT		Internal (Core) Supply Voltage
145	N01	RD	O	External Port Read Enable	209	V13	VDDEXT		External (I/O) Supply Voltage
146	N02	SDCLK0	O	SDRAM Clock Output 0	210	V14	GND		
147	N03	GND			211	V15	VDDINT		Internal (Core) Supply Voltage
148	N04	VDDEXT		External (I/O) Supply Voltage	212	V16	GND		
149	N17	GND			213	V17	GND		
150	N18	GND			214	V18	GND		
151	N19	DATA11	I/O	External Data	215	V19	DATA1	I/O	External Data
152	N20	DATA10	I/O	External Data	216	V20	DATA3	I/O	External Data
153	P01	SDA10	O	SDRAM A10 Pin	217	W01	GND		
154	P02	WR	O	External Port Write Enable	218	W02	ADDR21	O	External Address
155	P03	VDDINT		Internal (Core) Supply Voltage	219	W03	ADDR19	O	External Address
156	P04	VDDINT		Internal (Core) Supply Voltage	220	W04	ADDR20	O	External Address
157	P17	VDDINT		Internal (Core) Supply Voltage	221	W05	ADDR17	O	External Address
158	P18	VDDINT		Internal (Core) Supply Voltage	222	W06	ADDR16	O	External Address
159	P19	DATA8	I/O	External Data	223	W07	ADDR15	O	External Address
160	P20	DATA9	I/O	External Data	224	W08	ADDR14	O	External Address
161	R01	SDWE	O	SDRAM Write Enable	225	W09	AVDD		Analog (PLL) Supply Voltage
162	R02	SDRAS	O	SDRAM Row Address Strobe	226	W10	AVSS		
163	R03	GND			227	W11	ADDR13	O	External Address
164	R04	GND			228	W12	ADDR12	O	External Address
165	R17	VDDEXT		External (I/O) Supply Voltage	229	W13	ADDR10	O	External Address
166	R18	GND			230	W14	ADDR8	O	External Address
167	R19	DATA6	I/O	External Data	231	W15	ADDR5	O	External Address
168	R20	DATA7	I/O	External Data	232	W16	ADDR4	O	External Address
169	T01	SDCKE	O	SDRAM Clock Enable	233	W17	ADDR1	O	External Address
170	T02	SDCAS	O	SDRAM Column Address Select	234	W18	ADDR2	O	External Address
171	T03	GND			235	W19	ADDR0	O	External Address
172	T04	VDDEXT		External (I/O) Supply Voltage	236	W20	NC		
173	T17	GND			237	Y01	GND		
174	T18	GND			238	Y02	NC		
175	T19	DATA5	I/O	External Data	239	Y03	NC		
176	T20	DATA4	I/O	External Data	240	Y04	ADDR18	O	External Address
177	U01	MS0	O	Memory Select Lines 0–1	241	Y05	NC/BR1		
178	U02	MS1	O	Memory Select Lines 0–1	242	Y06	NC/BR2		
179	U03	VDDINT		Internal (Core) Supply Voltage	243	Y07	XTAL	O	Crystal Oscillator Terminal
180	U04	GND			244	Y08	CLKIN	I	Local Clock In
181	U05	VDDEXT		External (I/O) Supply Voltage	245	Y09	NC		
182	U06	GND			246	Y10	NC		
183	U07	VDDEXT		External (I/O) Supply Voltage	247	Y11	NC/BR3		
184	U08	VDDINT		Internal (Core) Supply Voltage	248	Y12	NC/BR4		
185	U09	VDDEXT		External (I/O) Supply Voltage	249	Y13	ADDR11	O	External Address
186	U10	GND			250	Y14	ADDR9	O	External Address
187	U11	VDDEXT		External (I/O) Supply Voltage	251	Y15	ADDR7	O	External Address
188	U12	VDDINT		Internal (Core) Supply Voltage	252	Y16	ADDR6	O	External Address
189	U13	VDDEXT		External (I/O) Supply Voltage	253	Y17	ADDR3	O	External Address
190	U14	VDDEXT		External (I/O) Supply Voltage	254	Y18	GND		
191	U15	VDDINT		Internal (Core) Supply Voltage	255	Y19	GND		
192	U16	VDDEXT		External (I/O) Supply Voltage	256	Y20	NC		

• TMS320DA150PGE16D (X3803A00) DSP (Digital Signal Processor)

DSP: IC652

PIN NO.	NAME	I/O	FUNCTION	PIN NO.	NAME	I/O	FUNCTION	
1	CVss	–	Ground	73	BFSX1	I/O	Frame synchronization pulse for transmit input/output.	
2	A22	I/O	Address bus	74	BDX1	O	Serial data transmit output.	
3	CVss	–	Ground	75	DVdd	–	Power supply +3.3 V	
4	DVdd	–	Power supply +3.3 V	76	DVss	–	Ground	
5	A10	I/O	Address bus	77	CLKMD1	I	} Clock mode select signals.	
6	HD7	I/O	Bidirectional data bus	78	CLKMD2	I		
7	A11	I/O	} Address bus	79	CLKMD3	I		
8	A12	I/O			80	HPI16	I	HPI16 mode selection
9	A13	I/O			81	HD2	I/O	Bidirectional data bus
10	A14	I/O			82	TOUT	O	Timer output.
11	A15	I/O		83	EMU0	I/O	Emulator 0 pin.	
12	CVdd	–	Power supply +1.6 V	84	EMU1/OFF	I/O	Emulator 1 pin/disable all outputs.	
13	HAS	I	Address strobe.	85	TDO	O	IEEE standard 1149.1 test data output.	
14	DVss	–	Ground	86	TDI	I	IEEE standard 1149.1 test data input.	
15	CVss	–	Ground	87	TRST	I	IEEE standard 1149.1 test reset.	
16	CVdd	–	Power supply +1.6 V	88	TCK	I	IEEE standard 1149.1 test clock.	
17	HCS	I	Chip select.	89	TMS	I	IEEE standard 1149.1 test mode select.	
18	HR/W	I	Read/write.	90	CVss	–	Ground	
19	READY	I	Data ready.	91	CVdd	–	Power supply +1.6 V	
20	PS	O	} Data, program, and I/O space select signals.	92	HPIENA	I	HPI module select.	
21	DS	O			93	DVss	–	Ground
22	IS	O			94	CLKOUT	O	Clock output signal.
23	R/W	O			95	HD3	I/O	Bidirectional data bus
24	MSTRB	O	Memory strobe signal.	96	X1	O	Output pin from an internal oscillator for the crystal.	
25	IOSTRB	O	I/O strobe signal.	97	X2/CLKIN	I	Clock/oscillator input.	
26	MSC	O	Microstate complete.	98	RS	I	Reset.	
27	XF	O	External flag output (latched software-programmable signal).	99	D0	I/O	} Data bus	
28	HOLDA	O	Hold acknowledge.	100	D1	I/O		
29	IAQ	O	Instruction acquisition signal.	101	D2	I/O		
30	HOLD	I	Hold input.	102	D3	I/O		
31	BIO	I	Branch control.	103	D4	I/O		
32	MP/MC	I	Microprocessor/microcomputer mode select.	104	D5	I/O		
33	DVdd	–	Power supply +3.3 V	105	A16	I/O	Address bus	
34	CVss	–	Ground	106	DVss	–	Ground	
35	BDR1	I	Serial data receive input	107	A17	I/O	} Address bus	
36	BFSR1	I/O	Frame synchronization pulse for receive input.	108	A18	I/O		
37	CVss	–	Ground	109	A19	I/O		
38	BCLKR1	I/O	Receive clock input.	110	A20	I/O		
39	HCNTL0	I	Control inputs.	111	CVss	–	Ground	
40	DVss	–	Ground	112	DVdd	–	Power supply +3.3 V	
41	BCLKR0	I/O	} Receive clock input.	113	D6	I/O	} Data bus	
42	BCLKR2	I/O			114	D7		I/O
43	BFSR0	I/O	} Frame synchronization pulse for receive input.	115	D8	I/O		
44	BFSR2	I/O			116	D9		I/O
45	BDR0	I	Serial data receive input	117	D10	I/O		
46	HCNTL1	I	Control inputs.	118	D11	I/O		
47	BDR2	I	Serial data receive input	119	D12	I/O		
48	BCLKX0	I/O	} Transmit clock.	120	HD14	I/O	Bidirectional data bus	
49	BCLKX2	I/O			121	D13	I/O	} Data bus
50	CVss	–	Ground	122	D14	I/O		
51	HINT	O	Interrupt output.	123	D15	I/O		
52	CVdd	–	Power supply +1.6 V	124	HD5	I/O	Bidirectional data bus	
53	BFSX0	I/O	} Frame synchronization pulse for transmit input/output.	125	CVdd	–	Power supply +1.6 V	
54	BFSX2	I/O			126	CVss	–	Ground
55	HRDY	O	Ready output.	127	HDS1	I	Data strobe.	
56	DVdd	–	Power supply +3.3 V	128	DVss	–	Ground	
57	DVss	–	Ground	129	HDS2	I	Data strobe.	
58	HD0	I/O	Bidirectional data bus	130	DVdd	–	Power supply +3.3 V	
59	BDX0	O	} Serial data transmit output.	131	A0	I/O	} Address bus	
60	BDX2	O			132	A1		I/O
61	IACK	O	Interrupt acknowledge signal.	133	A2	I/O		
62	HBIL	I	Byte identification.	134	A3	I/O		
63	NMI	I	Nonmaskable interrupt.	135	HD6	I/O	Bidirectional data bus	
64	INT0	I	} External user interrupt inputs.	136	A4	I/O	} Address bus	
65	INT1	I			137	A5		I/O
66	INT2	I			138	A6		I/O
67	INT3	I			139	A7		I/O
68	CVdd	–	Power supply +1.6 V	140	A8	I/O	} Address bus	
69	HD1	I/O	Bidirectional data bus	141	A9	I/O		
70	CVss	–	Ground	142	CVdd	–		Power supply +1.6 V
71	BCLKX1	I/O	Transmit clock.	143	A21	I/O	Address bus	
72	DVss	–	Ground	144	DVss	–	Ground	

● YSS910C-VZ (XV988C00) DSP6 (Digital Signal Processor)

FX: IC201-204

PIN NO.	NAME	I/O	FUNCTION	PIN NO.	NAME	I/O	FUNCTION		
1	Vdd		Power supply (3.3 V)	89	Vss		Ground		
2	Vss		Ground	90	DB13	I/O	Parallel data bus		
3	XI	I	System master clock input (60 MHz or 30 MHz)	91	DB14	I/O			
4	XO	O	System master clock output (High or 30 MHz)	92	DB15	I/O			
5	Vdd5		Power supply (5 V)	93	DB16	I/O			
6	/SYNCI	I	Sync. signal input	94	DB17	I/O			
7	/SYNCO	O	Sync. signal output	95	DB18	I/O			
8	Vdd5		Power supply (5 V)	96	DB19	I/O			
9	CKI	I	System clock input (30 MHz)	97	DB20	I/O			
10	CKO	O	System clock output (30 MHz)	98	DB21	I/O			
11	CKSEL	I	System master clock select (0: 60 MHz, 1: 30 MHz)	99	DB22	I/O			
12	Vss		Ground	100	Vss		Ground		
13	MCKS	I	Serial I/O master clock input (128 x Fs)	101	Vdd		Power supply (3.3 V)		
14	/SSYNC	O	Serial I/O Sync. signal output	102	DB23	I/O	Parallel data bus		
15	/IC	I	Initial clear (RESET)	103	DB24	I/O			
16	/TEST	I	Test mode setting (0: Test, 1: Normal)	104	DB25	I/O			
17	BTYP	I	Data bus type select (0: 8 bit, 1: 16 bit)	105	DB26	I/O			
18	/IRQ	I/O	IRQ output	106	DB27	I/O			
19	TRIG	I/O	Trigger signal input/output	107	DB28	I/O			
20	Vdd5		Power supply (5 V)	108	DB29	I/O			
21	Vss		Ground	109	DB30	I/O			
22	/CS	I	chip select signal input	110	DB31	I/O			
23	/WR	I	Write signal input	111	TIMO/DBOB	I/O		Timing signal output/ Parallel data bus output/ input	
24	/RD	I	Read signal input	112	Vss		Ground		
25	CA7	I/O	Address bus of internal register	113	Vdd5		Power supply (5 V)		
26	CA6	I/O			114	DA00	I/O	Memory data bus	
27	CA5	I/O			115	DA01	I/O		
28	CA4	I/O			116	DA02	I/O		
29	CA3	I/O			117	DA03	I/O		
30	CA2	I/O			118	DA04	I/O		
31	CA1	I/O			119	DA05	I/O		
32	Vss		Ground	120	DA06	I/O	Memory data bus		
33	Vdd		Power supply (3.3 V)	121	DA07	I/O			
34	CD15	I/O	Data bus of internal register	122	Vss			Ground	
35	CD14	I/O			123	DA08		I/O	
36	CD13	I/O			124	DA09		I/O	
37	CD12	I/O			125	DA10		I/O	
38	CD11	I/O			126	DA11		I/O	
39	CD10	I/O			127	DA12	I/O		
40	CD09	I/O			128	DA13	I/O		
41	CD08	I/O			129	DA14	I/O		
42	CD07	I/O			130	DA15	I/O		
43	CD06	I/O			131	Vss		Ground	
44	Vss		Ground	132	Vdd		Power supply (3.3 V)		
45	Vdd		Power supply (3.3 V)	133	(n.c)		Not used		
46	Vdd5		Power supply (5 V)	134	Vdd5		Power supply (5 V)		
47	CD05	I/O	Data bus of internal register	135	DA16	I/O	Memory data bus		
48	CD04	I/O			136	DA17		I/O	
49	CD03	I/O			137	DA18		I/O	
50	CD02	I/O			138	DA19		I/O	
51	CD01	I/O			139	DA20		I/O	
52	CD00	I/O			140	DA21		I/O	
53	/WAIT	O		WAIT output	141	DA22		I/O	Memory data bus
54	Vss		Ground	142	DA23	I/O			
55	SI0	I	Serial data input	143	Vss		Ground		
56	SI1	I			144	DA24	I/O		
57	SI2	I			145	DA25	I/O		
58	SI3	I			146	DA26	I/O		
59	SI4	I			147	DA27	I/O		
60	SI5	I			148	DA28	I/O		
61	SI6	I			149	DA29	I/O		
62	SI7	I		150	DA30	I/O			
63	Vss		Ground	151	DA31	I/O	Memory data bus		
64	Vdd5		Power supply (5 V)	152	Vdd5			Power supply (5 V)	
65	SO0	O	Serial data output	153	Vss			Ground	
66	SO1	O			154	A00		O	
67	SO2	O			155	A01		O	
68	SO3	O			156	A02		O	
69	SO4	O			157	A03		O	
70	SO5	O			158	A04	O		
71	SO6	O			159	A05	O		
72	SO7	O		160	A06	O			
73	Vss		Ground	161	A07	O	Memory address (SRAM, PSRAM, DRAM)		
74	DB00	I/O	Parallel data bus	162	A08	O			
75	DB01	I/O			163	A09		O	
76	DB02	I/O			164	Vss			Ground
77	DB03	I/O			165	Vdd			Power supply (3.3 V)
78	DB04	I/O			166	A10		O	
79	DB05	I/O			167	A11		O	
80	DB06	I/O			168	A12	O		
81	DB07	I/O			169	A13	O		
82	DB08	I/O			170	A14	O		
83	DB09	I/O			171	A15/RAS	O	Memory address (SRAM, PSRAM), /RAS (DRAM)	
84	DB10	I/O		172	A16/CAS	O	Memory address (SRAM, PSRAM), /CAS (DRAM)		
85	DB11	I/O		173	A17/CE	O	Memory address (SRAM), /CE (PSRAM)		
86	DB12	I/O		174	/WE	O	Memory write enable signal		
87	Vdd5		Power supply (5 V)	175	/OE	O	Memory output enable signal		
88	Vdd		Power supply (3.3 V)	176	Vdd5		Power supply (5 V)		

● YSS919C-FZ (XZ693C00) DSP7 (Digital Signal Processor)

DSP: IC251–261

PIN NO.	NAME	I/O	FUNCTION	PIN NO.	NAME	I/O	FUNCTION
1	PLLEN	I	PLL enable input (0: PLL unuse, 1: PLL use)	105	SIO32	I/O	Serial data bus
2	/TEST	I	Test mode setting (0: TEST, 1: Normal)	106	SIO33	I/O	
3	AVss		Analog ground	107	SIO34	I/O	
4	CPO		PLL filter	108	SIO35	I/O	
5	AVdd		Power supply (2.5 V)	109	SIO36	I/O	Power supply (2.5 V)
6	Vss		Ground	110	SIO37	I/O	
7	Vdd		Power supply (3.3 V)	111	SIO38	I/O	
8	/IC	I	Initial clear	112	SIO39	I/O	
9	/MUTE	I	Mute control (0: SIO mute, 1: SIO normal in-out)	113	Vdd		Ground
10	/SSYNC	I	Serial I/O Sync. signal input	114	Vss		
11	MCKS	I	Serial I/O master clock input (128 x Fs)	115	SIO40	I/O	Serial data bus
12	XI	I	System master clock input (60 MHz or 15 MHz)	116	SIO41	I/O	
13	BTYP	I	Data bus type select (0: 16 bits, 1: 32 bits)	117	SIO42	I/O	
14	/CS	I	Chip select	118	SIO43	I/O	
15	/WR	I	Write enable input	119	SIO44	I/O	Ground
16	/RD	I	Read enable input	120	SIO45	I/O	
17	CA7	I	CPU address bus	121	SIO46	I/O	
18	CA6	I			122	SIO47	
19	CA5	I			123	Vss	
20	CA4	I			124	Vdd	
21	CA3	I	Ground	125	SIO48	I/O	
22	CA2	I			126	SIO49	I/O
23	Vdd				127	SIO50	I/O
24	Vss				128	SIO51	I/O
25	CD31/CA1	I/O	Power supply (3.3 V)	129	SIO52	I/O	Serial data bus
26	CD30	I/O	Ground	130	SIO53	I/O	
27	CD29	I/O	CPU data bus / CPU address bus	131	SIO54	I/O	
28	CD28	I/O	CPU data bus	132	SIO55	I/O	
29	CD27	I/O			133	Vss	
30	CD26	I/O			134	SIO56	I/O
31	CD25	I/O			135	SIO57	I/O
32	CD24	I/O	Power supply (2.5 V)	136	SIO58	I/O	
33	Vdd				137	SIO59	I/O
34	Vss				138	SIO60	I/O
35	CD23	I/O			139	SIO61	I/O
36	CD22	I/O	CPU data bus	140	SIO62	I/O	
37	CD21	I/O			141	SIO63	I/O
38	CD20	I/O			142	Vdd	
39	CD19	I/O			143	Vss	
40	CD18	I/O	Ground	144	Vdd		
41	CD17	I/O			145	DA00	I/O
42	CD16	I/O			146	DA01	I/O
43	Vss				147	DA02	I/O
44	Vdd		Power supply (3.3 V)	148	DA03	I/O	Memory data bus
45	CD15	I/O		149	DA04	I/O	
46	CD14	I/O		150	DA05	I/O	
47	CD13	I/O		151	DA06	I/O	
48	CD12	I/O	CPU data bus	152	DA07	I/O	
49	CD11	I/O			153	Vss	
50	CD10	I/O			154	DA08	I/O
51	CD09	I/O			155	DA09	I/O
52	CD08	I/O	Ground	156	DA10	I/O	
53	Vss				157	DA11	I/O
54	CD07	I/O			158	DA12	I/O
55	CD06	I/O			159	DA13	I/O
56	CD05	I/O	CPU data bus	160	DA14	I/O	
57	CD04	I/O			161	DA15	I/O
58	CD03	I/O			162	Vss	
59	CD02	I/O			163	Vdd	
60	CD01	I/O	Ground	164	DA16	I/O	
61	CD00	I/O			165	DA17	I/O
62	/WAIT	O		Wait output	166	DA18	I/O
63	Vdd			Power supply (2.5 V)	167	DA19	I/O
64	Vss		Ground	168	DA20	I/O	Memory data bus
65	Vdd		Power supply (3.3 V)	169	DA21	I/O	
66	SIO00	I/O		170	DA22	I/O	
67	SIO01	I/O		171	DA23	I/O	
68	SIO02	I/O	Serial data bus	172	Vdd		
69	SIO03	I/O			173	Vss	
70	SIO04	I/O			174	DA24	I/O
71	SIO05	I/O			175	DA25	I/O
72	SIO06	I/O	Ground	176	DA26	I/O	
73	SIO07	I/O			177	DA27	I/O
74	Vss				178	DA28	I/O
75	SIO08	I/O			179	DA29	I/O
76	SIO09	I/O	Serial data bus	180	DA30	I/O	
77	SIO10	I/O			181	DA31	I/O
78	SIO11	I/O			182	Vss	
79	SIO12	I/O			183	Vdd	
80	SIO13	I/O	Memory data bus	184	/WE	O	
81	SIO14	I/O			185	/CAS	O
82	SIO15	I/O			186	SDCK	O
83	Vss				187	CKE	O
84	Vdd		Power supply (3.3 V)	188	/RAS	O	
85	SIO16	I/O	Ground	189	Vdd		
86	SIO17	I/O			190	Vss	
87	SIO18	I/O			191	BA1	O
88	SIO19	I/O			192	BA0	O
89	SIO20	I/O	Serial data bus	193	A12	O	
90	SIO21	I/O			194	A11	O
91	SIO22	I/O			195	A10	O
92	SIO23	I/O			196	A09	O
93	Vdd		Power supply (2.5 V)	197	A08	O	
94	Vss				198	Vss	
95	SIO24	I/O			199	Vdd	
96	SIO25	I/O			200	A07	O
97	SIO26	I/O	Serial data bus	201	A06	O	
98	SIO27	I/O			202	A05	O
99	SIO28	I/O			203	A04	O
100	SIO29	I/O			204	A03	O
101	SIO30	I/O	Ground	205	A02	O	
102	SIO31	I/O			206	A01	O
103	Vss				207	A00	O
104	Vdd			Power supply (3.3 V)	208	Vss	

● LC4064V-75TN100C (YE063B00) CPLD (Complex Programmable Logic Device)

DSP: IC654

PIN NO.	NAME	I/O	FUNCTION	PIN NO.	NAME	I/O	FUNCTION
1	GND	—	Ground	51	GND	—	Ground
2	TDI	I	Test data in	52	TMS	I	Test mode select input
3	A8	I/O	General purpose I/O	53	C8	I/O	General purpose I/O
4	A9	I/O		54	C9	I/O	
5	A10	I/O		55	C10	I/O	
6	A11	I/O		56	C11	I/O	
7	GND	—	Ground	57	GND	—	Ground
8	A12	I/O	General purpose I/O	58	C12	I/O	General purpose I/O
9	A13	I/O		59	C13	I/O	
10	A14	I/O		60	C14	I/O	
11	A15	I/O		61	C15	I/O	
12	I	I	Input	62	I	I	Input
13	VCCO	—	Power supply +3.3 V	63	VCCO	—	Power supply +3.3 V
14	B15	I/O	General purpose I/O	64	D15	I/O	General purpose I/O
15	B14	I/O		65	D14	I/O	
16	B13	I/O		66	D13	I/O	
17	B12	I/O		67	D12	I/O	
18	GND	—	Ground	68	GND	—	Ground
19	B11	I/O	General purpose I/O	69	D11	I/O	General purpose I/O
20	B10	I/O		70	D10	I/O	
21	B9	I/O		71	D9	I/O	
22	B8	I/O		72	D8	I/O	
23	I	I	Input	73	I	I	Input
24	TCK	I	Test clock input	74	TDO	O	Test data out
25	VCC	—	Power supply +3.3 V	75	VCC	—	Power supply +3.3 V
26	GND	—	Ground	76	GND	—	Ground
27	I	I	Input	77	I	I	Input
28	B7	I/O	General purpose I/O	78	D7	I/O	General purpose I/O
29	B6	I/O		79	D6	I/O	
30	B5	I/O		80	D5	I/O	
31	B4	I/O		81	D4	I/O	
32	GND	—	Ground	82	GND	—	Ground
33	VCCO	—	Power supply +3.3 V	83	VCCO	—	Power supply +1.6 V
34	B3	I/O	General purpose I/O	84	D3	I/O	General purpose I/O
35	B2	I/O		85	D2	I/O	
36	B1	I/O		86	D1	I/O	
37	B0	I/O		87	D0/GOE1	I/O	
38	CLK1/I	I	Configured to be either CLK input / As an input.	88	CLK3/I	I	Configured to be either CLK input / As an input.
39	CLK2/I	I		89	CLK0/I	I	
40	VCC	—	Power supply +3.3 V	90	VCC	—	Power supply +3.3 V
41	C0	I/O	General purpose I/O	91	A0/GOE0	I/O	Configured to be either global output enable input / As general I/O
42	C1	I/O		92	A1	I/O	
43	C2	I/O		93	A2	I/O	
44	C3	I/O		94	A3	I/O	
45	VCCO	—	Power supply +3.3 V	95	VCCO	—	Power supply +3.3 V
46	GND	—	Ground	96	GND	—	Ground
47	C4	I/O	General purpose I/O	97	A4	I/O	General purpose I/O
48	C5	I/O		98	A5	I/O	
49	C6	I/O		99	A6	I/O	
50	C7	I/O		100	A7	I/O	

- EPM240T100C5N (YD926A00) CPLD (Complex Programmable Logic Device)
- EPM240T100C5N (YE003A00) CPLD (Complex Programmable Logic Device)

PIN NO.	NAME	I/O	FUNCTION	PIN NO.	NAME	I/O	FUNCTION
1	IO	I/O	I/O Bank 1	51	IO	I/O	I/O Bank 2
2	IO	I/O	I/O Bank 1	52	IO	I/O	I/O Bank 2
3	IO	I/O	I/O Bank 1	53	IO	I/O	I/O Bank 2
4	IO	I/O	I/O Bank 1	54	IO	I/O	I/O Bank 2
5	IO	I/O	I/O Bank 1	55	IO	I/O	I/O Bank 2
6	IO	I/O	I/O Bank 1	56	IO	I/O	I/O Bank 2
7	IO	I/O	I/O Bank 1	57	IO	I/O	I/O Bank 2
8	IO	I/O	I/O Bank 1	58	IO	I/O	I/O Bank 2
9	VCCIO1	-	I/O Supply Voltage 3.3V	59	VCCIO2	-	I/O Supply Voltage 3.3V
10	GNDIO	-	Ground	60	GNDIO	-	Ground
11	GNDINT	-	Ground	61	IO	I/O	I/O Bank 2
12	IO/GCLK0	-	Input capacitance for dual-purpose GCLK/user I/O pin	62	IO/GCLK2	-	Input capacitance for dual-purpose GCLK/user I/O pin
13	VCCINT	-	Internal Supply voltage 3.3V	63	VCCINT	-	Internal Supply voltage 3.3V
14	IO/GCLK1	-	Input capacitance for dual-purpose GCLK/user I/O pin	64	IO/GCLK3	-	Input capacitance for dual-purpose GCLK/user I/O pin
15	IO	I/O	I/O Bank 1	65	GNDINT	-	Ground
16	IO	I/O	I/O Bank 1	66	IO	I/O	I/O Bank 2
17	IO	I/O	I/O Bank 1	67	IO	I/O	I/O Bank 2
18	IO	I/O	I/O Bank 1	68	IO	I/O	I/O Bank 2
19	IO	I/O	I/O Bank 1	69	IO	I/O	I/O Bank 2
20	IO	I/O	I/O Bank 1	70	IO	I/O	I/O Bank 2
21	IO	I/O	I/O Bank 1	71	IO	I/O	I/O Bank 2
22	TMS	I	Test Mode Select input pin	72	IO	I/O	I/O Bank 2
23	TDI	I	Test Data input pin	73	IO	I/O	I/O Bank 2
24	TCK	I	Test Clock input	74	IO	I/O	I/O Bank 2
25	TDO	O	Test Data output pin	75	IO	I/O	I/O Bank 2
26	IO	I/O	I/O Bank 1	76	IO	I/O	I/O Bank 2
27	IO	I/O	I/O Bank 1	77	IO	I/O	I/O Bank 2
28	IO	I/O	I/O Bank 1	78	IO	I/O	I/O Bank 2
29	IO	I/O	I/O Bank 1	79	GNDIO	-	Ground
30	IO	I/O	I/O Bank 1	80	VCCIO2	-	I/O Supply Voltage 3.3V
31	VCCIO1	-	I/O Supply Voltage 3.3V	81	IO	I/O	I/O Bank 2
32	GNDIO	-	Ground	82	IO	I/O	I/O Bank 2
33	IO	I/O	I/O Bank 1	83	IO	I/O	I/O Bank 2
34	IO	I/O	I/O Bank 1	84	IO	I/O	I/O Bank 2
35	IO	I/O	I/O Bank 1	85	IO	I/O	I/O Bank 2
36	IO	I/O	I/O Bank 1	86	IO	I/O	I/O Bank 2
37	IO	I/O	I/O Bank 1	87	IO	I/O	I/O Bank 2
38	IO	I/O	I/O Bank 1	88	IO	I/O	I/O Bank 2
39	IO	I/O	I/O Bank 1	89	IO	I/O	I/O Bank 2
40	IO	I/O	I/O Bank 1	90	IO	I/O	I/O Bank 2
41	IO	I/O	I/O Bank 1	91	IO	I/O	I/O Bank 2
42	IO	I/O	I/O Bank 1	92	IO	I/O	I/O Bank 2
43	IO/DEV_OE	-		93	GNDIO	-	Ground
44	IO/DEV_CL	-		94	VCCIO2	-	I/O Supply Voltage 3.3V
45	Rn	-	I/O Supply Voltage 3.3V	95	IO	I/O	I/O Bank 2
46	VCCIO1	-	Ground	96	IO	I/O	I/O Bank 2
47	GNDIO	I/O	I/O Bank 1	97	IO	I/O	I/O Bank 2
48	IO	I/O	I/O Bank 1	98	IO	I/O	I/O Bank 2
49	IO	I/O	I/O Bank 1	99	IO	I/O	I/O Bank 2
50	IO	I/O	I/O Bank 1	100	IO	I/O	I/O Bank 2

• LCMXO2280C-3TN144C (YE064B00) CPLD (Complex Programmable Logic Device)

 DNTU: IC302
 DSP: IC152

PIN NO.	NAME	I/O	FUNCTION	PIN NO.	NAME	I/O	FUNCTION
1	PL2A/LUMO_PLLT_FB_A	I/O	User programmable pin/Optional feedback (PLL) input. T = true	73	PR20B	I/O	User programmable pin
2	PL2B/LUMO_PLLC_FB_A	I/O	User programmable pin/Optional feedback (PLL) input C = complement	74	PR20A	I/O	User programmable pin
3	PL3A	I/O	User programmable pin	75	PR19B	I/O	User programmable pin
4	PL3B	I/O	User programmable pin	76	PR19A	I/O	User programmable pin
5	PL3C/LUMO/PLLT_IN_A	I/O	User programmable pin/Reference clock (PLL) input. T = true	77	PR17D	I/O	User programmable pin
6	PL3D/LUMO/PLLC_IN_A	I/O	User programmable pin/Reference clock (PLL) input. C = complement	78	PR17C	I/O	User programmable pin
7	PL4A	I/O	User programmable pin	79	PR17B	I/O	User programmable pin
8	PL4B	I/O	User programmable pin	80	PR17A	I/O	User programmable pin
9	PL4C	I/O	User programmable pin	81	PR16D	I/O	User programmable pin
10	VCCIO7	-	Power supply pin for I/O Bank 7	82	VCCIO3	-	Power supply pin for I/O Bank 3
11	GNDIO7	-	Ground pin for I/O Bank 7	83	GNDIO3	-	Ground pin for I/O Bank 3
12	PL6C	I/O	User programmable pin	84	PR15B	I/O	User programmable pin
13	PL7A	I/O	User programmable pin	85	PR15A	I/O	User programmable pin
14	PL7B/GSRN	I/O	User programmable pin/Global RESET signal (active low)	86	PR14B	I/O	User programmable pin
15	PL7D	I/O	User programmable pin	87	PR14A	I/O	User programmable pin
16	GND	-	Ground	88	GND	-	Ground
17	PL9C	I/O	User programmable pin	89	PR13B	I/O	User programmable pin
18	PL9D	I/O	User programmable pin	90	PR13A	I/O	User programmable pin
19	PL13A	I/O	User programmable pin	91	PR10B	I/O	User programmable pin
20	PL13B	I/O	User programmable pin	92	PR10A	I/O	User programmable pin
21	VCC	-	Power supply pin	93	VCC	-	Power supply pin
22	PL13D	I/O	User programmable pin	94	PR8B	I/O	User programmable pin
23	PL14D	I/O	User programmable pin	95	PR8A	I/O	User programmable pin
24	PL14C/TSALL	I/O	User programmable pin/Global output enable signal	96	PR7B	I/O	User programmable pin
25	PL15B	I/O	User programmable pin	97	PR7A	I/O	User programmable pin
26	VCCIO2	-	Power supply pin for I/O Bank 2	98	VCCIO2	-	Power supply pin for I/O Bank 2
27	GNDIO6	-	Ground pin for I/O Bank 6	99	GNDIO2	-	Ground pin for I/O Bank 2
28	PL16D	I/O	User programmable pin	100	PR5C	I/O	User programmable pin
29	PL17A/LUMO_PLLT_FB_A	I/O	User programmable pin/Optional feedback (PLL) input. T = true	101	PR5B	I/O	User programmable pin
30	PL17B/LUMO_PLLC_FB_A	I/O	User programmable pin/Optional feedback (PLL) input C = complement	102	PR5A	I/O	User programmable pin
31	PL17C	I/O	User programmable pin	103	PR4D	I/O	User programmable pin
32	PL17D	I/O	User programmable pin	104	PR4C	I/O	User programmable pin
33	PL18A/LUMO/PLLT_IN_A	I/O	User programmable pin/Reference clock (PLL) input. T = true	105	PR4B	I/O	User programmable pin
34	PL18B/LUMO/PLLC_IN_A	I/O	User programmable pin/Reference clock (PLL) input. C = complement	106	PR4A	I/O	User programmable pin
35	PL19A	I/O	User programmable pin	107	PR3B	I/O	User programmable pin
36	PL19B	I/O	User programmable pin	108	PR3A	I/O	User programmable pin
37	GNDIO7	-	Ground pin for I/O Bank 7	109	PT16D	I/O	User programmable pin
38	VCCIO5	-	Power supply pin for I/O Bank 5	110	PT16C	I/O	User programmable pin
39	TMS	I	Test Mode Select input pin	111	PT16B	I/O	User programmable pin
40	PB2A	I/O	User programmable pin	112	PT16A	I/O	User programmable pin
41	PB2B	I/O	User programmable pin	113	PT15D	I/O	User programmable pin
42	TCK	I	Test Clock input pin	114	PT15C	I/O	User programmable pin
43	PB3A	I/O	User programmable pin	115	PT14B	I/O	User programmable pin
44	PB3B	I/O	User programmable pin	116	PT14A	I/O	User programmable pin
45	PB4A	I/O	User programmable pin	117	VCCIO1	-	Power supply pin for I/O Bank 1
46	PB4B	I/O	User programmable pin	118	GNDIO1	-	Ground pin for I/O Bank 1
47	TDO	O	Test Data output pin	119	PT12F	I/O	User programmable pin
48	PB4D	I/O	User programmable pin	120	PT12E	I/O	User programmable pin
49	PB5A	I/O	User programmable pin	121	PT12D	I/O	User programmable pin
50	PB5B	I/O	User programmable pin	122	PT12C	I/O	User programmable pin
51	TDI	I	Test Data input pin	123	GND	-	Ground
52	VCC	-	Power supply pin	124	PT10B/PCLK1_1	I/O	User programmable pin/Primary Clock 1
53	VCCAUX	-	Auxiliary power supply pin	125	PT9D	I/O	User programmable pin
54	PB8F	I/O	User programmable pin	126	PT9C	I/O	User programmable pin
55	PB10F/PCLK4_1	I/O	User programmable pin/Primary Clock 4	127	PT9B/PCLK1_0	I/O	User programmable pin/Primary Clock 1
56	PB10C	I/O	User programmable pin	128	VCCAUX	-	Auxiliary power supply pin
57	PB10D	I/O	User programmable pin	129	VCC	-	Power supply pin
58	PB10B/PCLK4_0	I/O	User programmable pin/Primary Clock 4	130	PT7B	I/O	User programmable pin
59	GND	-	Ground	131	PT7A	I/O	User programmable pin
60	PB12A	I/O	User programmable pin	132	PT6D	I/O	User programmable pin
61	PB12B	I/O	User programmable pin	133	PT6E	I/O	User programmable pin
62	PB12E	I/O	User programmable pin	134	PT6F	I/O	User programmable pin
63	VCCIO4	-	Power supply pin for I/O Bank 4	135	VCCIO0	-	Power supply pin for I/O Bank 0
64	GNDIO4	-	Ground pin for I/O Bank 4	136	GNDIO0	-	Ground pin for I/O Bank 0
65	PB13A	I/O	User programmable pin	137	PT4B	I/O	User programmable pin
66	PB13B	I/O	User programmable pin	138	PT4A	I/O	User programmable pin
67	PB13C	I/O	User programmable pin	139	PT3B	I/O	User programmable pin
68	PB13D	I/O	User programmable pin	140	PT3A	I/O	User programmable pin
69	PB14D	I/O	User programmable pin	141	PT2D	I/O	User programmable pin
70	SLEEPN	I	Sleep Mode pin	142	PT2C	I/O	User programmable pin
71	PB16C	I/O	User programmable pin	143	PT2B	I/O	User programmable pin
72	PB16D	I/O	User programmable pin	144	PT2A	I/O	User programmable pin

● XC6SLX9-2TQG144C (YD697A00) FPGA

DSP: IC552

PIN NO.	NAME	I/O	FUNCTION	PIN NO.	NAME	I/O	FUNCTION
1	IO_L83N_VREF_3	I/O	User I/O pin/These are input threshold voltage pin	73	SUSPEND	I	Active-High control input pin for the power-saving Suspend mode
2	IO_L83P_3	I/O	User I/O pin	74	IO_L74N_DOUT_BUSY_1	I/O	User I/O pin/DOUT gives configuration data_BUSY device status
3	GND	-	Ground	75	IO_L74P_AWAKE_1	I/O	User I/O pin/Status output pin for the power-saving Suspend mode
4	VCCO_3	-	Power-supply pins for the output drivers (per bank)	76	VCCO_1	-	Power-supply pins for the output drivers (per bank)
5	IO_L52N_3	I/O	User I/O pin	77	GND	-	Ground
6	IO_L52P_3	I/O	User I/O pin	78	IO_L47N_1	I/O	User I/O pin
7	IO_L51N_3	I/O	User I/O pin	79	IO_L47P_1	I/O	User I/O pin
8	IO_L51P_3	I/O	User I/O pin	80	IO_L46N_1	I/O	User I/O pin
9	IO_L50N_3	I/O	User I/O pin	81	IO_L46P_1	I/O	User I/O pin
10	IO_L50P_3	I/O	User I/O pin	82	IO_L45N_1	I/O	User I/O pin
11	IO_L49N_3	I/O	User I/O pin	83	IO_L45P_1	I/O	User I/O pin
12	IO_L49P_3	I/O	User I/O pin	84	IO_L43N_GCLK4_1	I/O	User I/O pin/Global clock buffers
13	GND	-	Ground	85	IO_L43P_GCLK5_1	I/O	User I/O pin/Global clock buffers
14	IO_L44N_GCLK20_3	I/O	User I/O pin/Global clock buffers	86	VCCO_1	-	Power-supply pins for the output drivers (per bank)
15	IO_L44P_GCLK21_3	I/O	User I/O pin/Global clock buffers	87	IO_L42N_GCLK6_TRDY1_1	I/O	User I/O pin/Global clock buffers/TRDY: Used with LogiCORE IP for PCI designs
16	IO_L43N_GCLK22_TRDY2_3	I/O	User I/O pin/Global clock buffers/TRDY: Used with LogiCORE IP for PCI designs	88	IO_L42P_GCLK7_1	I/O	User I/O pin/Global clock buffers
17	IO_L43P_GCLK23_3	I/O	User I/O pin/Global clock buffers	89	VCCINT	-	Power-supply pins for the internal core logic
18	VCCO_3	-	Power-supply pins for the output drivers (per bank)	90	VCCAUX	-	Power-supply pins for auxiliary circuits
19	VCCINT	-	Power-supply pins for the internal core logic	91	GND	-	Ground
20	VCCAUX	-	Power-supply pins for auxiliary circuits	92	IO_L41N_GCLK8_1	I/O	User I/O pin/Global clock buffers
21	IO_L21N_GCLK24_3	I/O	User I/O pin/Global clock buffers	93	IO_L41_GCLK9_TRDY1_1	I/O	User I/O pin/Global clock buffers/TRDY: Used with LogiCORE IP for PCI designs
22	IO_L42P_GCLK25_TRDY2_3	I/O	User I/O pin/Global clock buffers/TRDY: Used with LogiCORE IP for PCI designs	94	IO_L40N_GCLK10_1	I/O	User I/O pin/Global clock buffers
23	IO_L41N_GCLK26_3	I/O	User I/O pin/Global clock buffers	95	IO_L40P_GCLK11_1	I/O	User I/O pin/Global clock buffers
24	IO_L41P_GCLK27_3	I/O	User I/O pin/Global clock buffers	96	GND	-	Ground
25	GND	-	Ground	97	IO_L34N_1	I/O	User I/O pin
26	IO_L37N_3	I/O	User I/O pin	98	IO_L34P_1	I/O	User I/O pin
27	IO_L37P_3	I/O	User I/O pin	99	IO_L33N_1	I/O	User I/O pin
28	VCCINT	-	Power-supply pins for the internal core logic	100	IO_L33P_1	I/O	User I/O pin
29	IO_L36N_3	I/O	User I/O pin	101	IO_L32N_1	I/O	User I/O pin
30	IO_L36P_3	I/O	User I/O pin	102	IO_L32P_1	I/O	User I/O pin
31	VCCO_3	-	Power-supply pins for the output drivers (per bank)	103	VCCO_1	-	Power-supply pins for the output drivers (per bank)
32	IO_L2N_3	I/O	User I/O pin	104	IO_L1N_VREF_1	I/O	User I/O pin/These are input threshold voltage pin
33	IO_L2P_3	I/O	User I/O pin	105	IO_L1P_1	I/O	User I/O pin
34	IO_L1N_VREF	I/O	User I/O pin/These are input threshold voltage pin	106	TDO	O	JTAG Boundary-scan data output
35	IO_L1P_3	I/O	User I/O pin	107	TMS	I	JTAG Boundary-scan mode select
36	VCCAUX	-	Power-supply pins for auxiliary circuits	108	GND	-	Ground
37	PROGRAM_B_2	I	Active-Low asynchronous reset to configuration logic	109	TCK	I	JTAG Boundary-scan clock
38	IO_L65N_CSO_B_2	I/O	User I/O pin/Parallel daisy-chain chip select	110	TDI	I	JTAG Boundary-scan data input
39	IO_L65P_INIT_B_2	I/O	User I/O pin/This pin indicates that the configuration memory is being cleared	111	IO_L66N_SCP0_0	I/O	User I/O pin/Suspend control pin
40	IO_L64N_D9_2	I/O	User I/O pin/Configuration data pin	112	IO_L66P_SCP1_0	I/O	User I/O pin/Suspend control pin
41	IO_L64P_D8_2	I/O	User I/O pin/Configuration data pin	113	GND	-	Ground
42	VCCO_2	-	Power-supply pins for the output drivers (per bank)	114	IO_L65N_SCP2_0	I/O	User I/O pin/Suspend control pin
43	IO_L62N_D6_2	I/O	User I/O pin/Configuration data pin	115	IO_L65P_SCP3_0	I/O	User I/O pin/Suspend control pin
44	IO_L62P_D5_2	I/O	User I/O pin/Configuration data pin	116	IO_L64N_SCP4_0	I/O	User I/O pin/Suspend control pin
45	IO_L49N_D4_2	I/O	User I/O pin/Configuration data pin	117	IO_L64P_SCP5_0	I/O	User I/O pin/Suspend control pin
46	IO_L49P_D3_2	I/O	User I/O pin/Configuration data pin	118	IO_L63N_SCP6_0	I/O	User I/O pin/Suspend control pin
47	IO_L48N_PDWR_B_VREF_2	I/O	User I/O pin/Active-low write-enable signal	119	IO_L63P_SCP7_0	I/O	User I/O pin/Suspend control pin
48	IO_L48P_D7_2	I/O	User I/O pin/Configuration data pin	120	IO_L62N_VREF_0	I/O	User I/O pin/These are input threshold voltage pin
49	GND	-	Ground	121	IO_L62P_0	I/O	User I/O pin
50	IO_L31N_GCLK30_D15_2	I/O	User I/O pin/Global clock buffers/Configuration data pin	122	VCCO_0	-	Power-supply pins for the output drivers (per bank)
51	IO_L31P_GCLK31_D14_2	I/O	User I/O pin/Global clock buffers/Configuration data pin	123	IO_L37N_GCLK12_0	I/O	User I/O pin/Global clock buffers
52	VCCINT	-	Power-supply pins for the internal core logic	124	IO_L37P_GCLK13_0	I/O	User I/O pin/Global clock buffers
53	VCCAUX	-	Power-supply pins for auxiliary circuits	125	VCCO_0	-	Power-supply pins for the output drivers (per bank)
54	GND	-	Ground	126	IO_L36N_GCLK14_0	I/O	User I/O pin/Global clock buffers
55	IO_L30N_GCLK0_USERGCLK_2	I/O	User I/O pin/Global clock buffers/User configuration clock	127	IO_L36P_GCLK15_0	I/O	User I/O pin/Global clock buffers
56	IO_L30P_GCLK1_D13_2	I/O	User I/O pin/Global clock buffers/Configuration data pin	128	VCCINT	-	Power-supply pins for the internal core logic
57	IO_L14N_D12_2	I/O	User I/O pin/Configuration data pin	129	VCCAUX	-	Power-supply pins for auxiliary circuits
58	IO_L14P_D11_2	I/O	User I/O pin/Configuration data pin	130	GND	-	Ground
59	IO_L13N_D10_2	I/O	User I/O pin/Configuration data pin	131	IO_L35N_GCLK16_0	I/O	User I/O pin/Global clock buffers
60	IO_L13P_M1_2	I/O	User I/O pin/Configuration mode selection	132	IO_L35P_GCLK17_0	I/O	User I/O pin/Global clock buffers
61	IO_L12N_D2_MISO3_2	I/O	User I/O pin/Lower-order bits of the data bus/Two MSBs of the SPI bus	133	IO_L34N_GCLK18_0	I/O	User I/O pin/Global clock buffers
62	IO_L12P_D1_MISO2_2	I/O	User I/O pin/Lower-order bits of the data bus/Two MSBs of the SPI bus	134	IO_L34P_GCLK19_0	I/O	User I/O pin/Global clock buffers
63	VCCO_2	-	Power-supply pins for the output drivers (per bank)	135	VCCO_0	-	Power-supply pins for the output drivers (per bank)
64	IO_L3N_MOSI_CS1_B_MISO0_2	I/O	User I/O pin/Master Output/Slave Input (MOSI)	136	GND	-	Ground
65	IO_L3P_DO_DIN_MISO_MISO1_2	I/O	User I/O pin/Lower-order bits of the data bus/Two MSBs of the SPI bus	137	IO_L4N_0	I/O	User I/O pin
66	IO_L2N_CMPMOSI_2	I/O	User I/O pin/Use these pins as general-purpose I/O	138	IO_L4P_0	I/O	User I/O pin
67	IO_L2P_CMPCLK_2	I/O	User I/O pin/Use these pins as general-purpose I/O	139	IO_L3N_0	I/O	User I/O pin
68	GND	-	Ground	140	IO_L3P_0	I/O	User I/O pin
69	IO_L1N_MO_CMPMISO_2	I/O	User I/O pin/Configuration mode selection/Use these pins as general-purpose I/O	141	IO_L2N_0	I/O	User I/O pin
70	IO_L1P_CCLK_2	I/O	User I/O pin/Configuration clock	142	IO_L2P_0	I/O	User I/O pin
71	DONE_2	I/O	Bidirectional signal	143	IO_L1N_VREF_0	I/O	User I/O pin/These are input threshold voltage pin
72	CMPCS_B_2	I	Leave unconnected or connect High (VCCO_2)	144	IO_L1P_HSWAPEN_0	I/O	User I/O pin/When Low, enables I/O pullups before and during configuration

● 88E6350R (YD688A00) GIGABIT ETHERNET SWITCHING HUB

DNTU: IC503

PIN NO.	NAME	I/O	FUNCTION	PIN NO.	NAME	I/O	FUNCTION
1	C3_LED	I/O	Column 3 for the LED	66	SW_MODE[1]	I	Switch Mode 00=Test mode 01=Reserved
2	P0_MDIN[3]	I/O	Media Dependent Interface [3]				10=Unmanaged/Forwarding mode 11=CPU Attached/Disable mode
3	P0_MDIP[3]	I/O	Media Dependent Interface [3]	67	SW_MODE[0]	I	Switch Mode 00=Test mode 01=Reserved
4	P0_AVDD	-	Power supply 1.8V				10=Unmanaged/Forwarding mode 11=CPU Attached/Disable mode
5	P0_MDIN[2]	I/O	Media Dependent Interface [2]	68	/RESET	I	Hardware reset
6	P0_MDIP[2]	I/O	Media Dependent Interface [2]	69	VDDO_CORE	-	1.0V power supply to the digital core
7	P0_MDIN[1]	I/O	Media Dependent Interface [1]	70	MDC_CPU	I	Management Data Clock, Slave
8	P0_MDIP[1]	I/O	Media Dependent Interface [1]	71	MDIO_CPU	I/O	Management Data I/O, Slave
9	P0_AVDD	-	Power supply 1.8V	72	/INT	-	INTn is an active low, open drain pin
10	P0_MDIN[0]	I/O	Media Dependent Interface [0]	73	P5_RGMII_EN	I	Port5's GMII/RGMII/MII interface
11	P0_MDIP[0]	I/O	Media Dependent Interface [0]				enable(generically referred to as RGMII5)
12	P1_MDIN[3]	I/O	Media Dependent Interface [3]	74	VDDO_CORE	-	1.0V power supply to the digital core
13	P1_MDIP[3]	I/O	Media Dependent Interface [3]	75	P5_VDDO	-	Power supply 3.3V
14	P1_AVDD	-	Power supply 1.8V	76	P5_OUTD[3]	O	Output Data
15	P1_MDIN[2]	I/O	Media Dependent Interface [2]	77	P5_OUTD[2]	O	Output Data
16	P1_MDIP[2]	I/O	Media Dependent Interface [2]	78	P5_OUTD[1]	O	Output Data
17	P1_MDIN[1]	I/O	Media Dependent Interface [1]	79	P5_OUTD[0]	O	Output Data
18	P1_MDIP[1]	I/O	Media Dependent Interface [1]	80	VDDO_CORE	-	1.0V power supply to the digital core
19	P1_AVDD	-	Power supply 1.8V	81	P5_OUTEN/	O	Output Enable
20	P1_MDIN[0]	I/O	Media Dependent Interface [0]	82	P5_GTXCLK	O	Transmit Clock
21	P1_MDIP[0]	I/O	Media Dependent Interface [0]	83	P5_OUTCLK	I	Output Clock
22	P2_MDIN[3]	I/O	Media Dependent Interface [3]	84	P5_VDDO	-	Power supply 3.3V
23	P2_MDIP[3]	I/O	Media Dependent Interface [3]	85	P5_INCLK	I	Input Clock
24	P2_AVDD	-	Power supply 1.8V	86	P5_INDV	I	Input Data Valid
25	P2_MDIN[2]	I/O	Media Dependent Interface [2]	87	VDDO_CORE	-	1.0V power supply to the digital core
26	P2_MDIP[2]	I/O	Media Dependent Interface [2]	88	P5_IND[0]	I	Input Data
27	P2_MDIN[1]	I/O	Media Dependent Interface [1]	89	P5_IND[1]	I	Input Data
28	P2_MDIP[1]	I/O	Media Dependent Interface [1]	90	P5_IND[2]	I	Input Data
29	P2_AVDD	-	Power supply 1.8V	91	P5_IND[3]	I	Input Data
30	P2_MDIN[0]	I/O	Media Dependent Interface [0]	92	P5_VDDO	-	Power supply 3.3V
31	P2_MDIP[0]	I/O	Media Dependent Interface [0]	93	VDDO_CORE	-	1.0V power supply to the digital core
32	RESET	-	Resistor Current reference	94	P5_CRS	I/O	Carrier Sense
33	AVDD	-	Gigabit PHY 1.8V power supply	95	P5_COL	I/O	Collision
34	NC	-	No Connect	96	P6_RGMII_EN	I	Port6's GMII/RGMII/MII interface
35	NC	-	No Connect				enable(generically referred to as RGMII6)
36	XTAL_GND	I	Analog Ground for the XTAL	97	VDDO_CORE	-	1.0V power supply to the digital core
37	XTAL_IN	I	25 MHz system reference clock input provided from the board	98	P6_VDDO	-	Power supply 3.3V
38	XTAL_OUT	O	System reference clock output provided to the board	99	P6_OUTD[3]	O	Output Data
39	AVDD	-	Gigabit PHY 1.8V power supply	100	P6_OUTD[2]	O	Output Data
40	VDDO_CORE	-	1.0V power supply to the digital core	101	P6_OUTD[1]	O	Output Data
41	VDDO_S	-	3.3V power supply for I/O pins	102	P6_OUTD[0]	O	Output Data
42	PTP_TRIG/S_VDDOS	I/O	Precise Timing Protocol Trigger Generate/VDDO_S 0=2.5V 1=3.3V	103	VDDO_CORE	-	1.0V power supply to the digital core
43	VDDO_CORE	-	1.0V power supply to the digital core	104	P6_OUTEN/	O	Output Enable
44	P3_MDIN[3]	I/O	Media Dependent Interface [3]	105	P6_GTXCLK	O	Transmit Clock
45	P3_MDIP[3]	I/O	Media Dependent Interface [3]	106	P6_OUTCLK	I	Output Clock
46	P3_AVDD	-	Power supply 1.8V	107	P6_VDDO	-	Power supply 3.3V
47	P3_MDIN[2]	I/O	Media Dependent Interface [2]	108	P6_INCLK	I	Input Clock
48	P3_MDIP[2]	I/O	Media Dependent Interface [2]	109	P6_INDV	I	Input Data Valid
49	P3_MDIN[1]	I/O	Media Dependent Interface [1]	110	VDDO_CORE	-	1.0V power supply to the digital core
50	P3_MDIP[1]	I/O	Media Dependent Interface [1]	111	P6_IND[0]	I	Input Data
51	P3_AVDD	-	Power supply 1.8V	112	P6_IND[1]	I	Input Data
52	P3_MDIN[0]	I/O	Media Dependent Interface [0]	113	P6_IND[2]	I	Input Data
53	P3_MDIP[0]	I/O	Media Dependent Interface [0]	114	P6_IND[3]	I	Input Data
54	P4_MDIN[3]	I/O	Media Dependent Interface [3]	115	P6_VDDO	-	Power supply 3.3V
55	P4_MDIP[3]	I/O	Media Dependent Interface [3]	116	VDDO_CORE	-	1.0V power supply to the digital core
56	P4_AVDD	-	Power supply 1.8V	117	P6_CRS	I/O	Carrier Sense
57	P4_MDIN[2]	I/O	Media Dependent Interface [2]	118	P6_COL	I/O	Collision
58	P4_MDIP[2]	I/O	Media Dependent Interface [2]	119	P0_LED/JUMBO	O	Parallel multiplexed LED output/JumboMode register
59	P4_MDIN[1]	I/O	Media Dependent Interface [1]	120	P1_LED/LED_SEL[0]	O	Parallel multiplexed LED output/
60	P4_MDIP[1]	I/O	Media Dependent Interface [1]	121	P2_LED/LED_SEL[1]	O	Parallel multiplexed LED output/Link/Activity with Speed select
61	P4_AVDD	-	Power supply 1.8V	122	EE_VDDO	-	Power supply 3.3V
62	P4_MDIN[0]	I/O	Media Dependent Interface [0]	123	P3_LED	O	Parallel multiplexed LED output
63	P4_MDIP[0]	I/O	Media Dependent Interface [0]	124	P4_LED	O	Parallel multiplexed LED output
64	NC	-	No Connect	125	C0_LED	O	Column 0 for the LED
65	NC	-	No Connect	126	C1_LED	O	Column 1 for the LED
				127	EE_VDDO	-	Power supply 3.3V
				128	C2_LED	O	Column 2 for the LED
				129	VSS	-	Ground to device

● GL852G-MNG03 (YC486A00) USB 2.0 MTT HUB Controller

USB: IC201

PIN NO.	NAME	I/O	FUNCTION	PIN NO.	NAME	I/O	FUNCTION
1	AVDD	-	Analog power supply +3.3 V	25	DVDD	-	Digital power supply +3.3 V
2	AGND	-	Analog ground	26	RESET#	I	External reset input
3	DM0	I/O	} USB signals for USPORT	27	TEST	I	Test signal
4	DP0	I/O		28	OVCUR4#	I	Over current indicator for DSPORT4
5	DM1	I/O	} USB signals for DSPORT1	29	PWREN4#	O	Power enable output for DSPORT4
6	DP1	I/O		30	OVCUR3#	I	Over current indicator for DSPORT3
7	AVDD	-	Analog power supply +3.3 V	31	PWREN3#	O	Power enable output for DSPORT3
8	AGND	-	Analog ground	32	GREEN3	O	Green LED indicator for DSPORT3
9	DM2	I/O	} USB signals for DSPORT2	33	AMBER3	O	Amber LED indicator for DSPORT3
10	DP2	I/O		34	DVDD	-	Digital power supply +3.3 V
11	RREF	I/O	Reference resistor connection	35	GREEN2/EE_DO	O	Green LED indicator for DSPORT2
12	AVDD	-	Analog power supply +3.3 V	36	AMBER2/EE_DI	O	Amber LED indicator for DSPORT2
13	AGND	-	Analog ground	37	PSELF	I	SELF/BUS power setting
14	X1	I	12MHz crystal clock input	38	DVDD	-	Digital power supply +3.3 V
15	X2	O	12MHz crystal clock output	39	PGANG	I/O	Individual/gang mode setting
16	AVDD	-	Analog power supply +3.3 V	40	OVCUR2#	I	Over current indicator for DSPORT2
17	DM3	I/O	} USB signals for DSPORT3	41	PWREN2#	O	Power enable output for DSPORT2
18	DP3	I/O		42	OVCUR1#	I	Over current indicator for DSPORT1
19	AVDD	-	Analog power supply +3.3 V	43	PWREN1#	O	Power enable output for DSPORT1
20	AGND	-	Analog ground	44	DVDD	-	Digital power supply +3.3 V
21	DM4	I/O	} USB signals for DSPORT4	45	GREEN1/EE_SK	O	Green LED indicator for DSPORT1
22	DP4	I/O		46	AMBER1/EE_CS	O	Amber LED indicator for DSPORT1
23	GREEN4	O	Green LED indicator for DSPORT4	47	DGND	-	Digital ground
24	AMBER4	O	Amber LED indicator for DSPORT4	48	DVDD	-	Digital power supply +3.3 V

● DM9000AEP (X7029A00) LAN CONTROLLER

DNTU: IC118

PIN NO.	NAME	I/O	FUNCTION	PIN NO.	NAME	I/O	FUNCTION
1	BGRES	I/O	Bandgap pin	25	SD13	I/O	} Processor data bus
2	RXV _{DD25}	-	Power output +2.5 V	26	SD12	I/O	
3	RX+	I/O	} TP RX input	27	SD11	I/O	
4	RX-	I/O		28	SD10	I/O	
5	RXGND	-	RX ground	29	SD9	I/O	
6	TXGND	-	TX ground	30	V _{DD}	-	Digital power supply +3.3 V
7	TX+	I/O	} TP TX output	31	SD8	I/O	Processor data bus
8	TX-	I/O		32	CMD	I	Command type
9	TXV _{DD25}	-	Power output +2.5 V	33	GND	-	Digital ground
10	SD7	I/O	} Processor data bus	34	INT	O	Interrupt request
11	SD6	I/O		35	IOR	I	Processor read command
12	SD5	I/O		36	IOW	I	Processor write command
13	SD4	I/O		37	CS	I	Chip select
14	SD3	I/O	} Digital ground	38	LED2	O	Link/Active LED
15	GND	-		39	LED1	O	Speed LED
16	SD2	I/O	} Processor data bus	40	PWRST	I	Power on reset
17	SD1	I/O		41	TEST	I	Operation mode
18	SD0	I/O		42	V _{DD}	-	Digital power supply +3.3 V
19	EEDIO	I/O	IO data to EEPROM	43	X2	O	Crystal 25 MHz out
20	EECK	O	Clock to EEPROM	44	X1	I	Crystal 25 MHz in
21	EECS	O	Chip select to EEPROM	45	GND	-	Digital ground
22	SD15	I/O	Processor data bus	46	SD	I	Fiber-optic signal detect
23	V _{DD}	-	Digital power supply +3.3 V	47	RXGND	-	RX ground
24	SD14	I/O	Processor data bus	48	BGGND	-	Bandgap ground

● **KSZ8051RNL (YD367B00) PHY**

CPU: IC402

PIN NO.	NAME	I/O	FUNCTION	PIN NO.	NAME	I/O	FUNCTION
1	GND	-	Ground	19	RXC/ B-CAST_OFF	I/O	MII Mode: MII Receive Clock Output/ Config Mode: The pull-up/pull-down value is latched as B-CAST_OFF at the de-assertion of reset
2	VDD_1.2	-	1.2V core VDD	20	RXER/ ISO	I/O	MII Mode: MII Receive Error Output/ Config Mode: The pull-up/pull-down value is latched as ISOLATE at the de-assertion of reset
3	VDDA_3.3	-	3.3V analog VDD	21	INTRP/ NAND_Tree#	I/O	Interrupt Output: Programmable Interrupt Output Config Mode: The pull-up/pull-down value is latched as NAND_Tree# at the de-assertion of reset.
4	RXM	I/O	Physical receive or transmit signal (- differential)	22	TXC	I/O	MII Mode: MII Transmit Clock Output MII Back-to-Back Mode: MII Transmit Clock Input
5	RXP	I/O	Physical receive or transmit signal (+ differential)	23	TXEN	I	MII Mode: MII Transmit Enable Input
6	TXM	I/O	Physical transmit or receive signal (- differential)	24	TXD0	I	MII Mode: MII Transmit Data Input[0]
7	TXP	I/O	Physical transmit or receive signal (+ differential)	25	TXD1	I	MII Mode: MII Transmit Data Input[1]
8	XO	O	Crystal feedback – for 25 MHz crystal	26	TXD2	I	MII Mode: MII Transmit Data Input[2]
9	XI	I	Crystal / Oscillator / External Clock Input	27	TXD3	I	MII Mode: MII Transmit Data Input[3]
10	REXT	I	Set physical transmit output current	28	COL/ CONFIG0	I/O	MII Mode: MII Collision Detect Output / Config Mode: The pull-up/pull-down value is latched as CONFIG0 at the de-assertion of reset
11	MDIO	I/O	Management Interface (MII) Data I/O	29	CRS/ CONFIG1	I/O	MII Mode: MII Carrier Sense Output / Config Mode: The pull-up/pull-down value is latched as CONFIG1 at the de-assertion of reset
12	MDC	I	Management Interface (MII) Clock Input	30	LED0/ NWAYEN	I/O	LED Output: Programmable LED0 Output / Config Mode: Latched as Auto-Negotiation Enable (register 0h, bit 12) at the de-assertion of reset
13	RXD3/ PHYAD0	I/O	MII Mode: MII Receive Data Output[3]/ Config Mode: The pull-up/pull-down value is latched as PHYADDR[0] at the de-assertion of reset	31	LED1/ SPEED	I/O	LED Output: Programmable LED1 Output / Config Mode: Latched as SPEED (register 0h, bit 13) at the de-assertion of reset
14	RXD2/ PHYAD1	I/O	MII Mode: MII Receive Data Output[2]/ Config Mode: The pull-up/pull-down value is latched as PHYADDR[1] at the de-assertion of reset	32	RST# PADDLE	I/O	Chip Reset (active low) Ground
15	RXD1/ PHYAD2	I/O	MII Mode: MII Receive Data Output[1]/ Config Mode: The pull-up/pull-down value is latched as PHYADDR[2] at the de-assertion of reset				
16	RXD0/ DUPLEX	I/O	MII Mode: MII Receive Data Output[0]/ Config Mode: The pull-up/pull-down value is latched as DUPLEX at the de-assertion of reset				
17	VDDIO	-	3.3V, 2.5V or 1.8V digital VDD				
18	RXDV/ CONFIG2	I/O	MII Mode: MII Receive Data Valid Output/ Config Mode: The pull-up/pull-down value is latched as CONFIG2 at the de-assertion of reset				

● **SN75LVDS84ADGGR (X4212A0R) LVDS TRANSMITTER**

CPU: IC401

PIN NO.	NAME	I/O	FUNCTION	PIN NO.	NAME	I/O	FUNCTION
1	D4	I/O	Data bus	25	D20	I/O	Data bus
2	Vcc	-	Power supply	26	CLKIN	I	Input clock for CLKIN MIDI
3	D5	I/O	Data bus	27	SHTDN		
4	D6	I/O		28	PLL_GND	-	Ground
5	GND	-	Ground	29	PLL_Vcc	-	Power supply
6	D7	I/O	Data bus	30	PLL_GND	-	Ground
7	D8	I/O		31	LVDS_GND	-	
8	Vcc	-	Power supply	32	CLKOUTP	O	Clock output
9	D9	I/O	Data bus	33	CLKOUTM	O	
10	D10	I/O		34	Y2P		
11	GND	-	Ground	35	Y2M		
12	D11	I/O	Data bus	36	LVDS_GND	-	Ground
13	D12	I/O		37	LVDS_Vcc	-	Power supply
14	NC		Not used	38	Y1P		
15	D13	I/O	Data bus	39	Y1M		
16	D14	I/O		40	Y0P		
17	GND	-	Ground	41	Y0M		
18	D15	I/O	Data bus	42	LVDS_GND	-	Ground
19	D16	I/O		43	NC		Not used
20	D17	I/O	Data bus	44	D0	I/O	Data bus
21	Vcc	-		Power supply	45	D1	
22	D18	I/O	Data bus	46	GND	-	Ground
23	D19	I/O		47	D2	I/O	Data bus
24	GND	-	Ground	48	D3	I/O	

● AK4125VF-E2 (YD750A00) SRC (Sample Rate Converter)

DSP: IC653

PIN NO.	NAME	I/O	FUNCTION	PIN NO.	NAME	I/O	FUNCTION
1	FILT	O	PLL Loop Filter Pin	16	AVDD	I	Bit Length Select 0 Pin for Output Data
2	AVSS	-	Analog Ground Pin	17	DVSS	I	Bit Length Select 1 Pin for Output Data
3	PDN	I	Power-Down Mode Pin “H”: Power up, “L”: Power down reset and initializes the control register.	18	DVDD	I	Master Clock Input Pin for Input PORT
4	SMUTE	I	Soft Mute Pin “H”: Soft Mute, “L”: Normal Operation	19	OMCLK	I	Clock Mode Select 0 Pin
5	DITHER	I	Dither Enable Pin “H”: Dither ON, “L”: Dither OFF Dither	20	OLRCK	I	Clock Mode Select 1 Pin
6	PLL2	I	PLL Mode Select 2 Pin	21	OBICK	I	Clock Mode Select 2 Pin
7	ILRCK	I/O	Input Channel Clock Pin	22	SDTO	I	Audio Interface Format 0 Pin for Input PORT
8	IBICK	I/O	Audio Serial Data Clock Pin	23	ODIF1	I	Audio Interface Format 1 Pin for Input PORT
9	SDTI	I	Audio Serial Data Input Pin	24	ODIF0	O	Audio Serial Data Output Pin for Output PORT
10	IDIF0	I	Audio Interface Format 0 Pin for Input PORT	25	CMODE2	I/O	Audio Serial Data Clock Pin for Output PORT
11	IDIF1	I	Audio Interface Format 1 Pin for Input PORT	26	CMODE1	I/O	Output Channel Clock Pin for Output PORT
12	IDIF2	I	Audio Interface Format 2 Pin for Input PORT	27	CMODE0	I	Master Clock Input Pin for Output PORT
13	PLL0	I	PLL Mode Select 0 Pin	28	IMCLK	-	Digital Power Supply Pin, 3.0 – 3.6V
14	PLL1	I	PLL Mode Select 1 Pin	29	OBIT1	-	Digital Ground Pin
15	UNLOCK	O	Unlock Status Pin	30	OBIT0	-	Analog Power Supply Pin, 3.0 – 3.6V

● AK4396VF-E2 (X8324A00) DAC (Digital to Analog Converter)

DA: IC903–906

TBPHN: IC906

PIN NO.	NAME	I/O	FUNCTION	PIN NO.	NAME	I/O	FUNCTION
1	DVss	-	Digital ground	15	TTL	I	CMOS/TTL level select
2	DVDD	-	Digital power supply +3.3 V	16	VREFL	I	Low level voltage reference input
3	MCLK	I	Master clock input	17	VREFH	I	High level voltage reference input
4	PDN	I	Power-down mode	18	AVDD	-	Analog power supply +5 V
5	BICK	I	Audio serial data clock	19	AVSS	-	Analog ground
6	SDATA	I	Audio serial data input	20	AOUTR-	O	Rch negative analog output
7	LRCK	I	L/R clock	21	AOUTR+	O	Rch positive analog output
8	SMUTE/CSN	I	Soft mute/Chip select	22	AOUTL-	O	Lch negative analog output
9	DFS0/CAD0	I	Sampling speed mode select/Chip address 0	23	AOUTL+	O	Lch positive analog output
10	DEM0/CCLK	I	De-emphasis enable 0/Control data clock	24	VCOM	O	Common voltage output
11	DEM1/CDTI	I	De-emphasis enable 1/Control data input	25	P/S	I	Parallel/serial select
12	DIF0	I	Digital input format	26	TST1/DZFL	O	Test 1/Lch zero input detect
13	DIF1	I		27	TST2/CAD1	I	Test 2/Chip address 1
14	DIF2	I		28	ACKS/DZFR	I/O	Master clock auto setting mode/Rch zero input detect

● AK5385BVF-E2 (X5364B00) ADC (Analog to Digital Converter)

HAAD: IC106,306,506,706

TBPHN: IC903

PIN NO.	NAME	I/O	FUNCTION	PIN NO.	NAME	I/O	FUNCTION
1	VREFL	I	Lch voltage reference input	15	SDTO	O	Audio serial data output
2	AVSS	-	Analog ground	16	CKS1	I	Master clock select 1
3	VCOM	O	Common voltage output	17	MCLK	I	Master clock input
4	LIN+	I	Lch analog positive input	18	DFS0	I	Sampling speed select 0
5	LIN-	I	Lch analog negative input	19	HPFE	I	High pass filter enable
6	CKS0	I	Master clock select 0	20	DFS1	I	Sampling speed select 1
7	DVDD	-	Digital power supply (3.0 - 5.25 V)	21	BVSS	-	Substrate ground
8	DVSS	-	Digital ground	22	AVSS	-	Analog ground
9	OVF	O	Analog input overflow detect	23	AVDD	-	Analog power supply (4.75 - 5.25 V)
10	PDN	I	Power down mode	24	RIN-	I	Rch analog negative input
11	DIF	I	Audio interface format	25	RIN+	I	Rch analog positive input
12	M/S	I	Master / Slave mode	26	TEST	I	Test pin
13	LRCK	I/O	Output channel clock	27	AVSS	-	Analog ground
14	BICK	I/O	Audio serial data clock	28	VREFR	I	Rch voltage reference input

● **LTC3615EUF#TRPBF (YD559A00) DC-DC CONVERTER**

CPU: IC105

PIN NO.	NAME	I/O	FUNCTION	PIN NO.	NAME	I/O	FUNCTION
1	ITH1	I	Error Amplifier Compensation.	14	RUN1	I	Enable Pin for Channel 1.
2	VFB1	I	Voltage Feedback Input Pin for Channel 1.	15	R _T /SYNC	I	Oscillator Frequency.
3	MODE	I	Mode Selection.	16	PGOOD2	O	Power Good Output for Channel 2.
4	PHASE	I	Phase Shift Selection.	17	SRLIM	I	Slew Rate Limit.
5	VFB2	I	Voltage Feedback Input Pin for Channel 2.	18	PGOOD1	O	Power Good Output Pin for Channel 1.
6	ITH2	I	Error Amplifier Compensation of Channel 2.	19	SW1	I	Channel 1 Switching Node.
7	TRACK/SS2	I	Internal, External Soft-Start, External. Reference Input for Channel 2.	20	SW1	I	Channel 1 Switching Node.
8	SGND	I	Signal Ground.	21	PVIN1	I	Channel 1 Power Supply Input.
9	PVIN2	I	Channel 2 Power Supply Input.	22	PVIN1	I	Channel 1 Power Supply Input.
10	PVIN2	I	Channel 2 Power Supply Input.	23	SVIN	I	Signal Input Supply.
11	SW2	I	Channel 2 Switching Nod.	24	TRACK/SS1	I	Internal, External Soft-Start, External. Reference Input for Channel 1.
12	SW2	I	Channel 2 Switching Nod.	25	PGND	I	Power Ground.
13	RUN2	I	Enable Pin for Channel 2.				

● **BD8113EFV-E2 (YD627A00) LED DRIVER**

LCDC: IC106

PIN NO.	NAME	I/O	FUNCTION	PIN NO.	NAME	I/O	FUNCTION
1	COMP	O	Error amplifier output	13	LED2	I	LED output 2
2	SS	I	Soft start time-setting capacitance input	14	OVP	I	Over-voltage detection input
3	VCC	-	Input power supply	15	VDAC	I	DC variable light modulation input
4	EN	I	Enable input	16	ISET	I/O	LED output current-setting resistance input
5	RT	I	Oscillation frequency-setting resistance input	17	PGND	O	LED output GND
6	SYNC	I	External synchronization signal input	18	OUTL	O	Low-side external MOSFET Gate Drive out put
7	GND	I	Small-signal GND	19	DGND	O	Low-side internal MOSFET Source out put
8	PWM	I	PWM light modulation input	20	SW	I	High-side external MOSFET Source pin
9	FAIL1	O	Failure signal output	21	OUTH	I	High-side external MOSFET Gate Drive out pin
10	FAIL2	O	LED open/short detection signal output	22	CS	I	DC/DC Current Sense Pin
11	LEDEN	I	LED output enable pin	23	BOOT	-	High-side MOSFET Power Supply pin
12	LED1	I	LED output 1	24	VREG	O	Internal reference voltage output

MB: IC003, IC005–007

PN2: IC101

PN8: IC004, 005

● **TLC5941PWPR (YD685A00) LED DRIVER**

PIN NO.	NAME	I/O	FUNCTION	PIN NO.	NAME	I/O	FUNCTION
1	GND	-	Ground	15	OUT8	O	Constant-current output
2	BLANK	I	Blank all outputs.	16	OUT9	O	Constant-current output
3	XLAT	I	Data latch.	17	OUT10	O	Constant-current output
4	SCLK	I	Serial data shift clock	18	OUT11	O	Constant-current output
5	SIN	I	Serial data input	19	OUT12	O	Constant-current output
6	MODE	I	Input mode-change pin.	20	OUT13	O	Constant-current output
7	OUT0	O	Constant-current output	21	OUT14	O	Constant-current output
8	OUT1	O	Constant-current output	22	OUT15	O	Constant-current output
9	OUT2	O	Constant-current output	23	XERR	O	Error output.
10	OUT3	O	Constant-current output	24	SOUT	O	Serial data output
11	OUT4	O	Constant-current output	25	GSCLK	I	Reference clock for grayscale PWM control
12	OUT5	O	Constant-current output	26	TEST	I	Test pin: Connect to VCC
13	OUT6	O	Constant-current output	27	IREF	I	Reference current terminal
14	OUT7	O	Constant-current output	28	VCC	I	Power supply voltage.

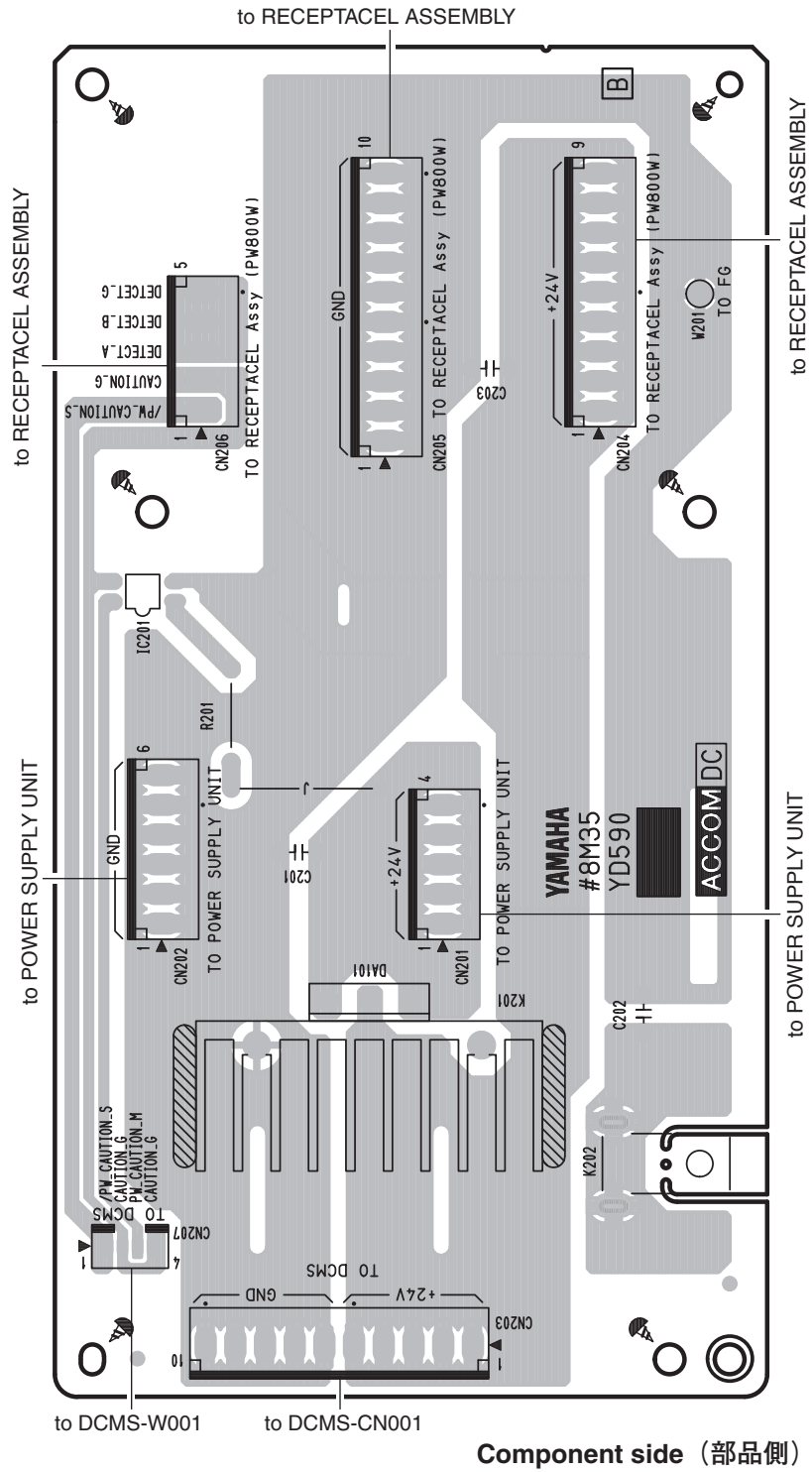
■ CIRCUIT BOARDS (シート基板図)

AC Circuit Board (YD590B0)	96
CPU Circuit Board (YD598B0).....	68/69
DA Circuit Board (YD588C0)	80
DC Circuit Board (YD590B0)	97
DCMS Circuit Board (YD591C0)	70
DNTU Circuit Board (YD593C0).....	74/75
DSP Circuit Board (YD584B0).....	72
FD2 Circuit Board (YD586D0)	86/87
FD8 Circuit Board (YD586D0)	86/87
FD8CN Circuit Board (YD586D0).....	86/87
FX Circuit Board (YD585B0).....	76/77
HAAD Circuit Board (YE625D0).....	78/79
JK Circuit Board (YD583B0).....	81
LCDC Circuit Board (YD600C0)	95
MB Circuit Board (YD538C0)	92/93
OPT Circuit Board (YD582A0).....	82
PN2 Circuit Board (YD537C0)	90
PN8 Circuit Board (YD534C0)	84/85
PNENL Circuit Board (YD535C0).....	94
PNENR Circuit Board (YD537C0)	91
PNI Circuit Board (YD536C0)	96
PNM Circuit Board (YD537C0)	88/89
TBPHN Circuit Board (YD589C0).....	83
USB Circuit Board (YD600C0)	95

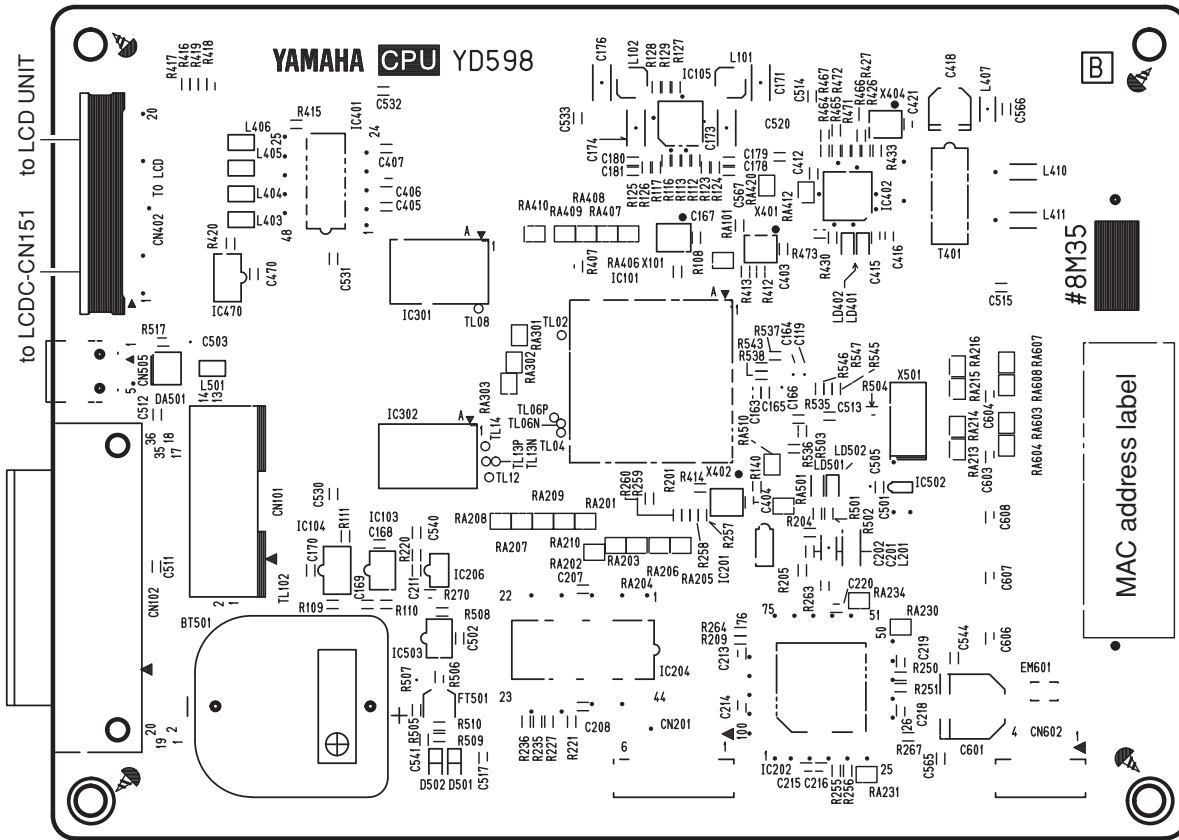
Note: See parts list for details of circuit board component parts.

注： シートの部品詳細はパーツリストをご参照ください。

● DC Circuit Board



● CPU Circuit Board



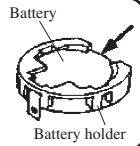
Component side (部品側)

Lithium Battery (リチウム電池)

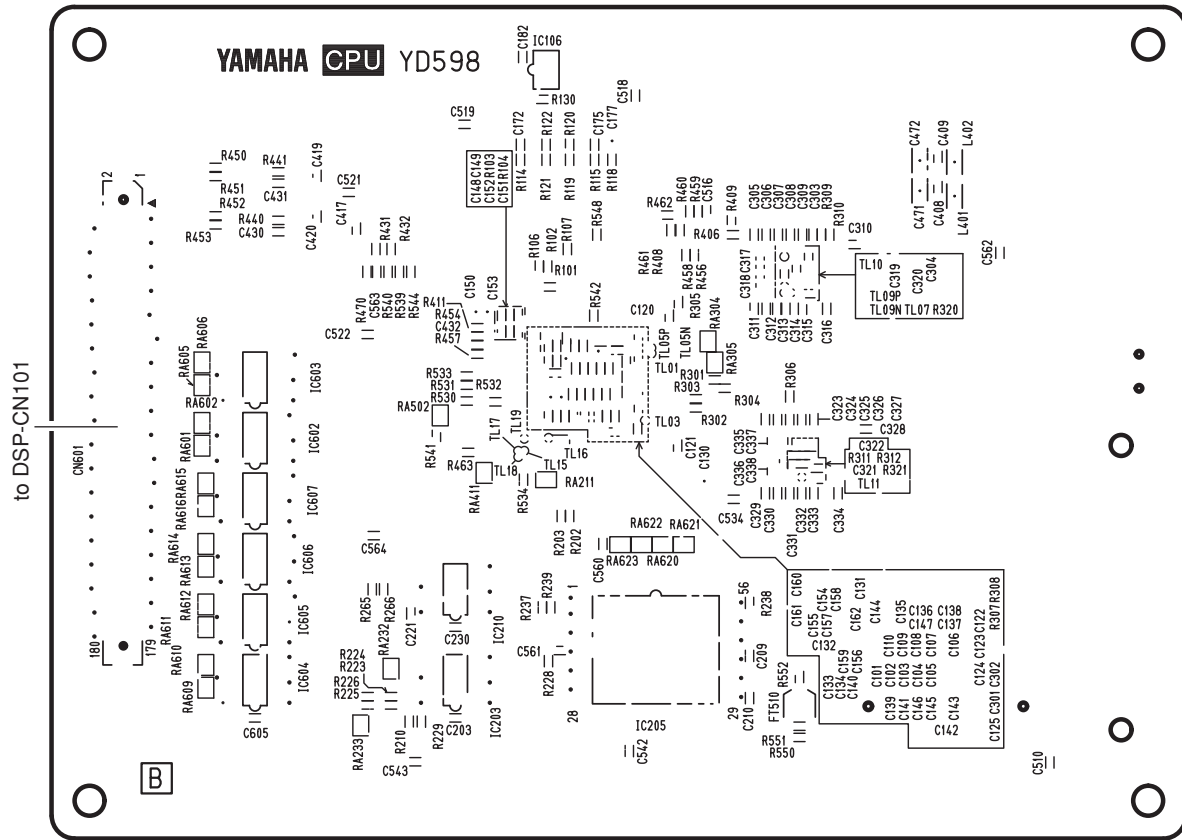
Battery VN103500

VN103600(Battery holder for VN103500)

- Notice for back-up battery removal. Push the battery as shown in figure, then the battery will pop up.
- Druk de batterij naar beneden zoals aangeven in de tekening, de batterij springt dan naar voren.

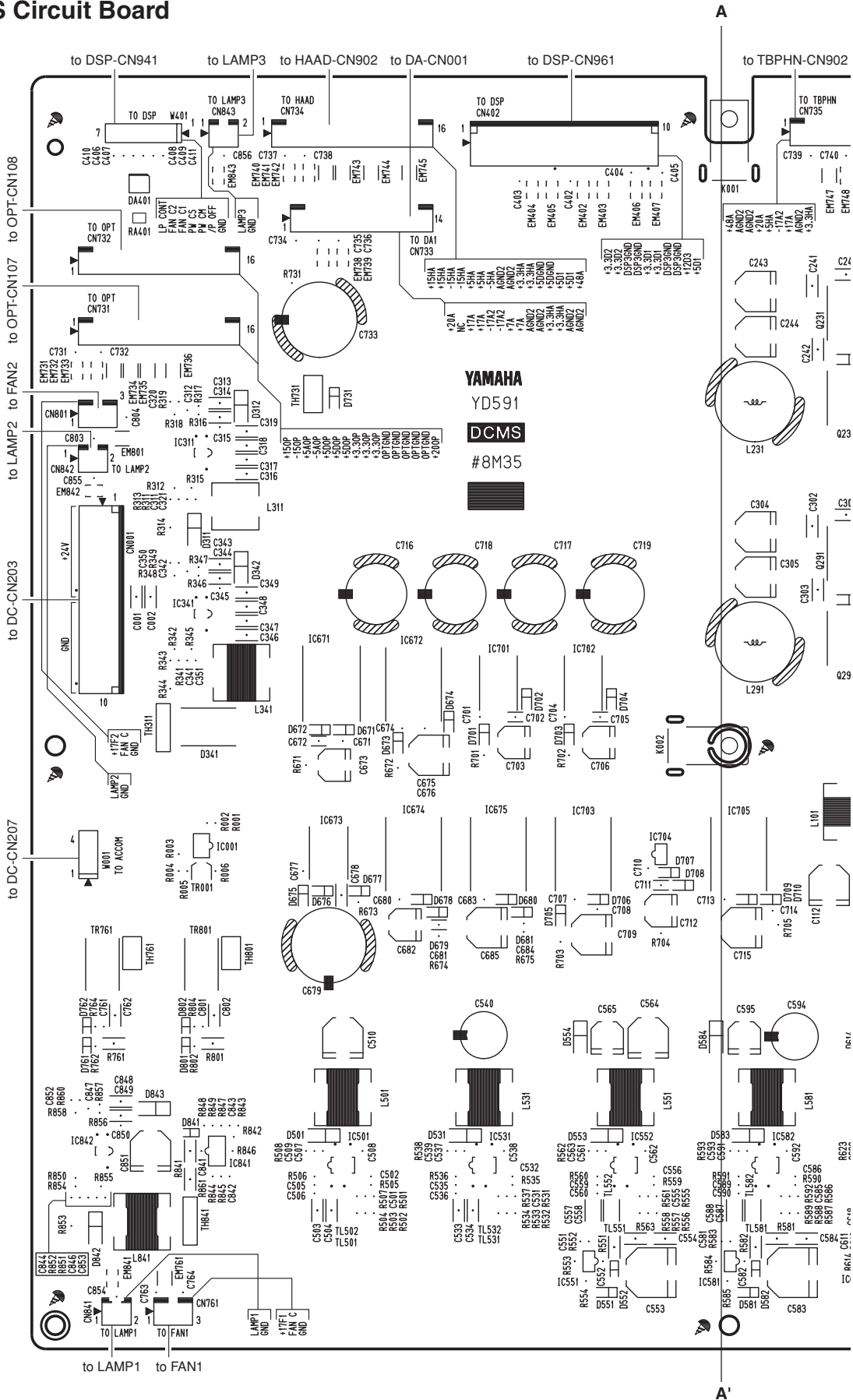


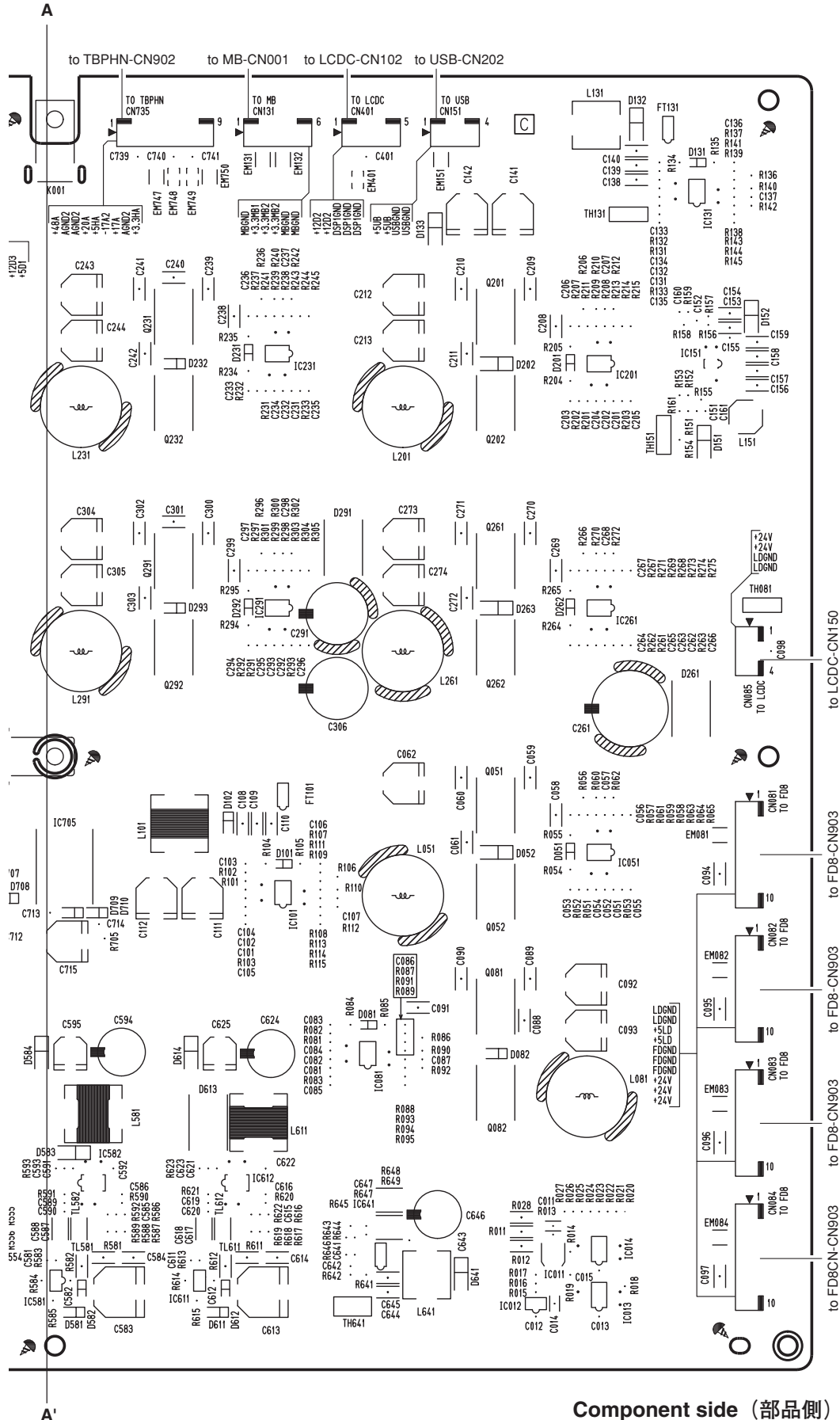
● CPU Circuit Board



Pattern side (パターン側)

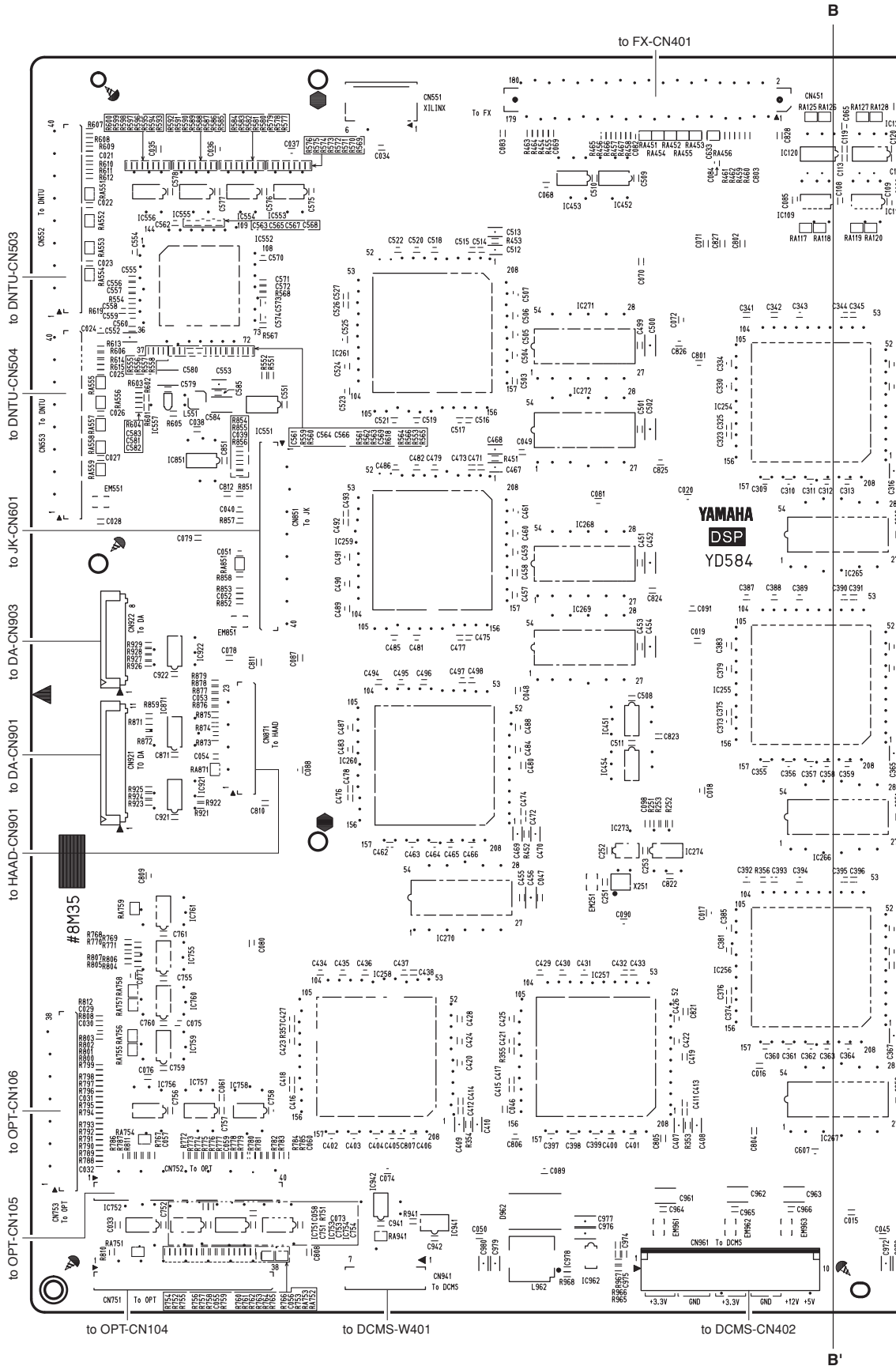
● DCMS Circuit Board

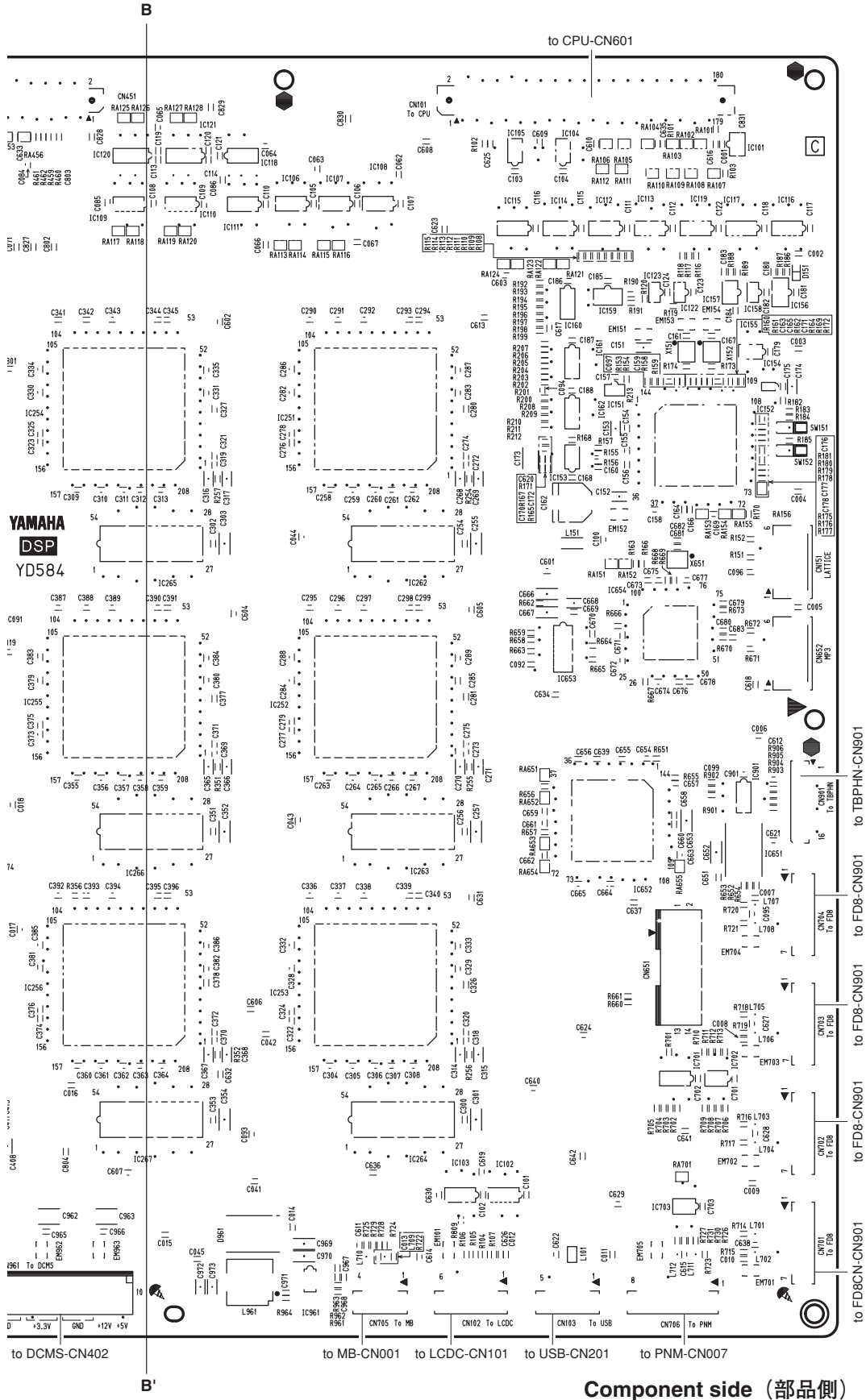




Component side (部品側)

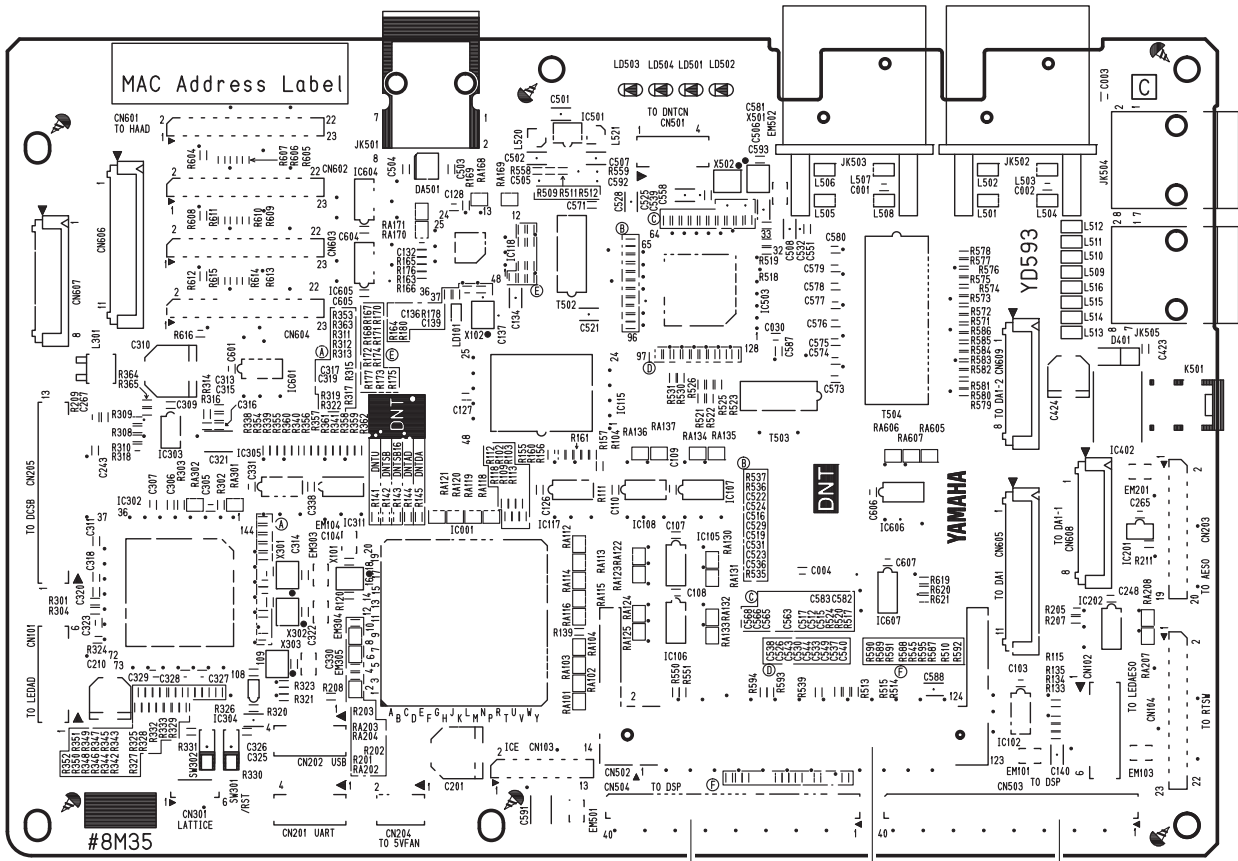
● DSP Circuit Board





Component side (部品側)

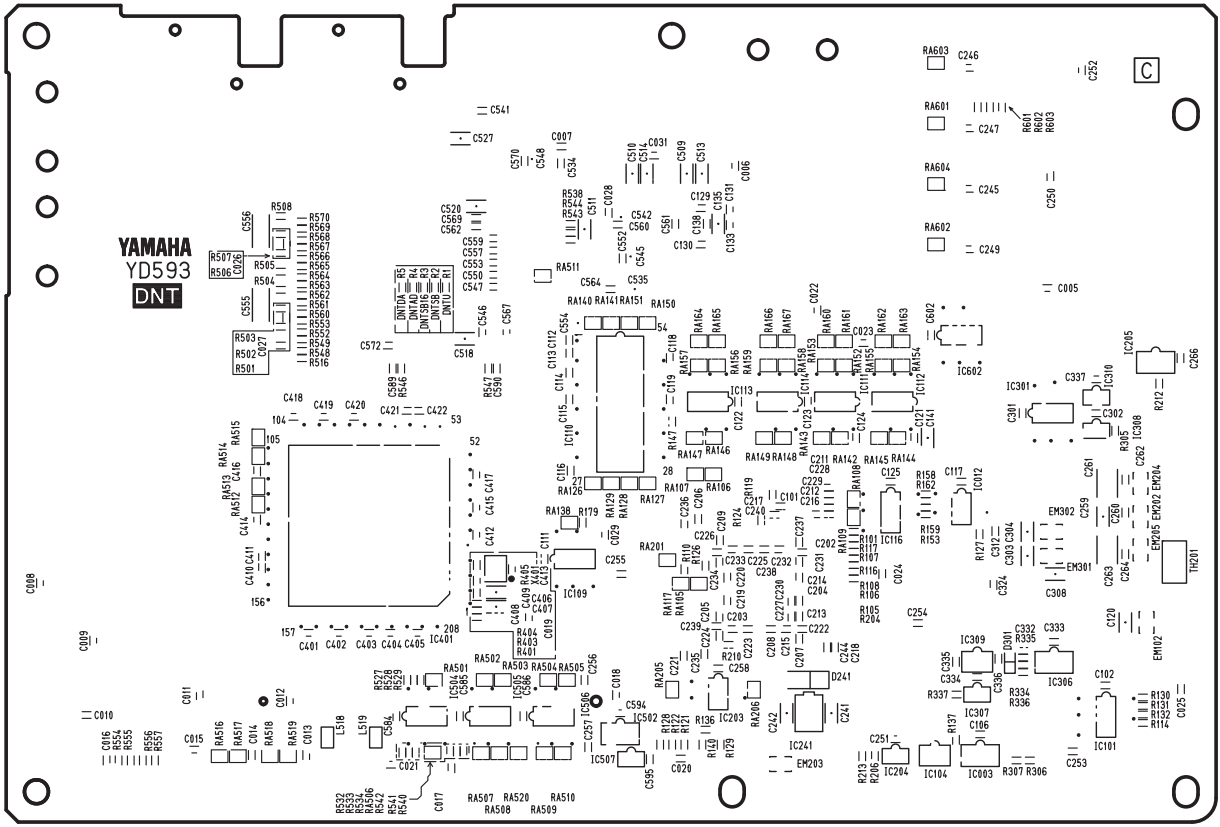
● DNTU Circuit Board



to DSP-CN553 to DANTE MODULE 64CH to DSP-CN552

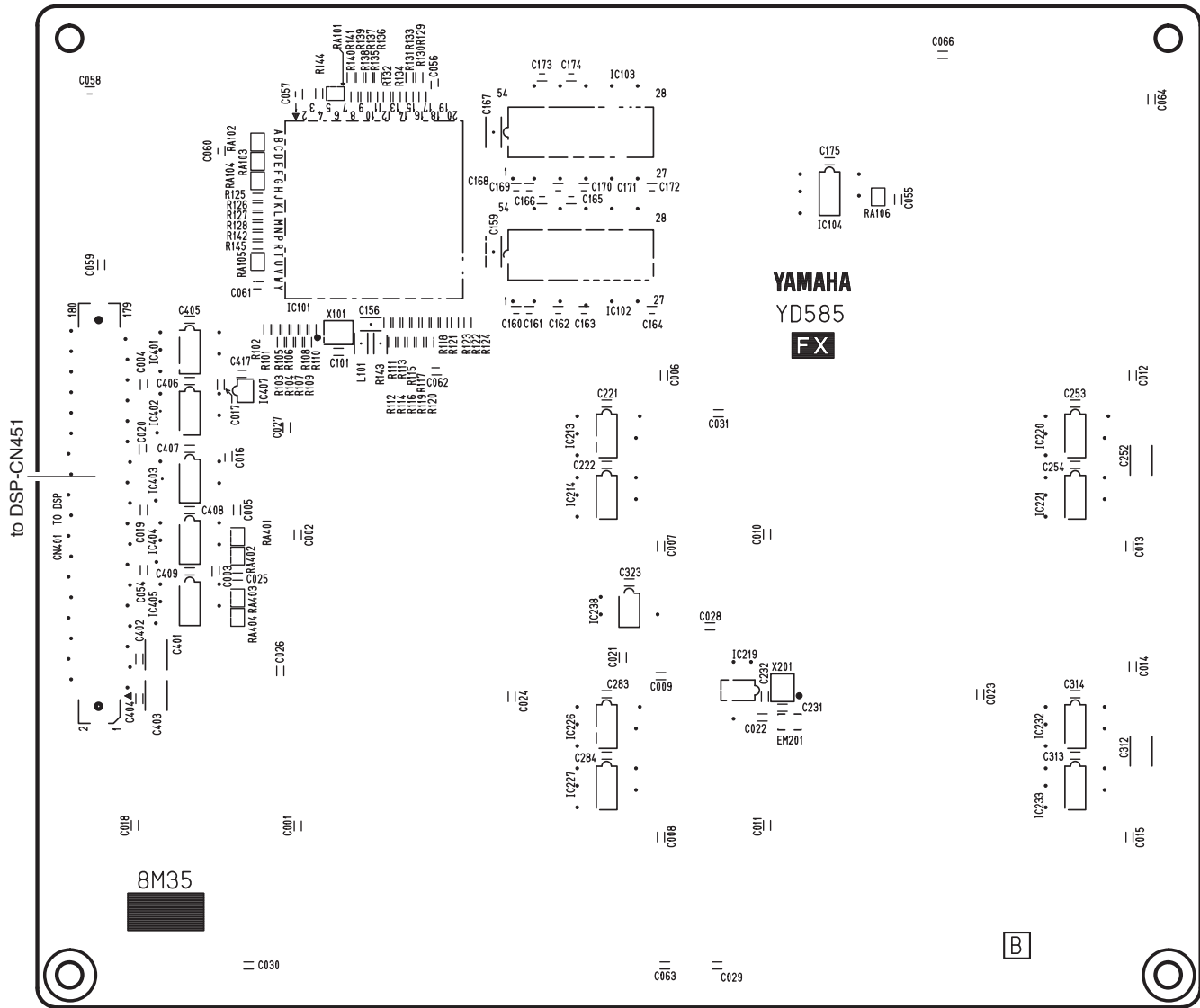
Component side (部品側)

● DNTU Circuit Board



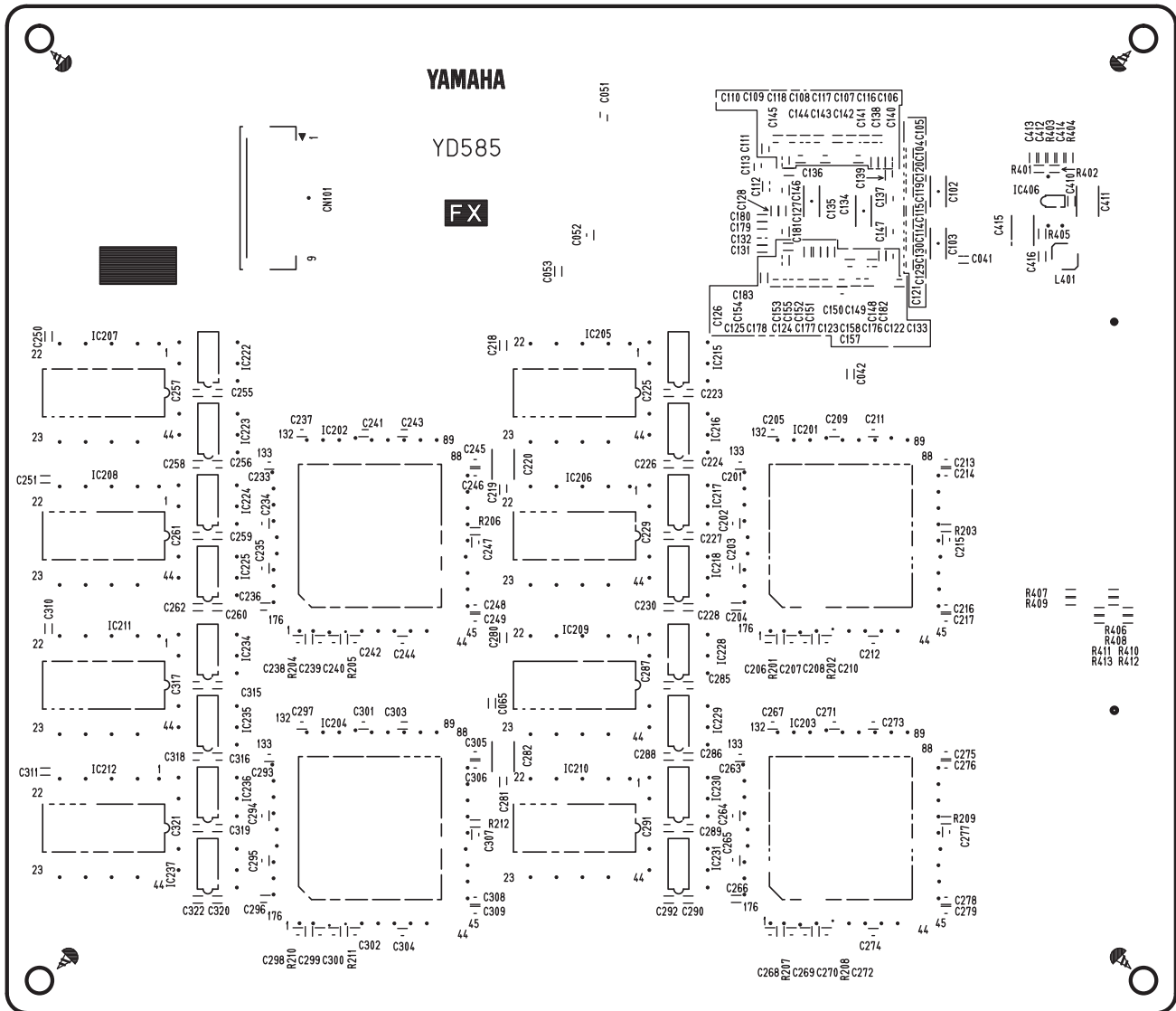
Pattern side (パターン側)

● FX Circuit Board



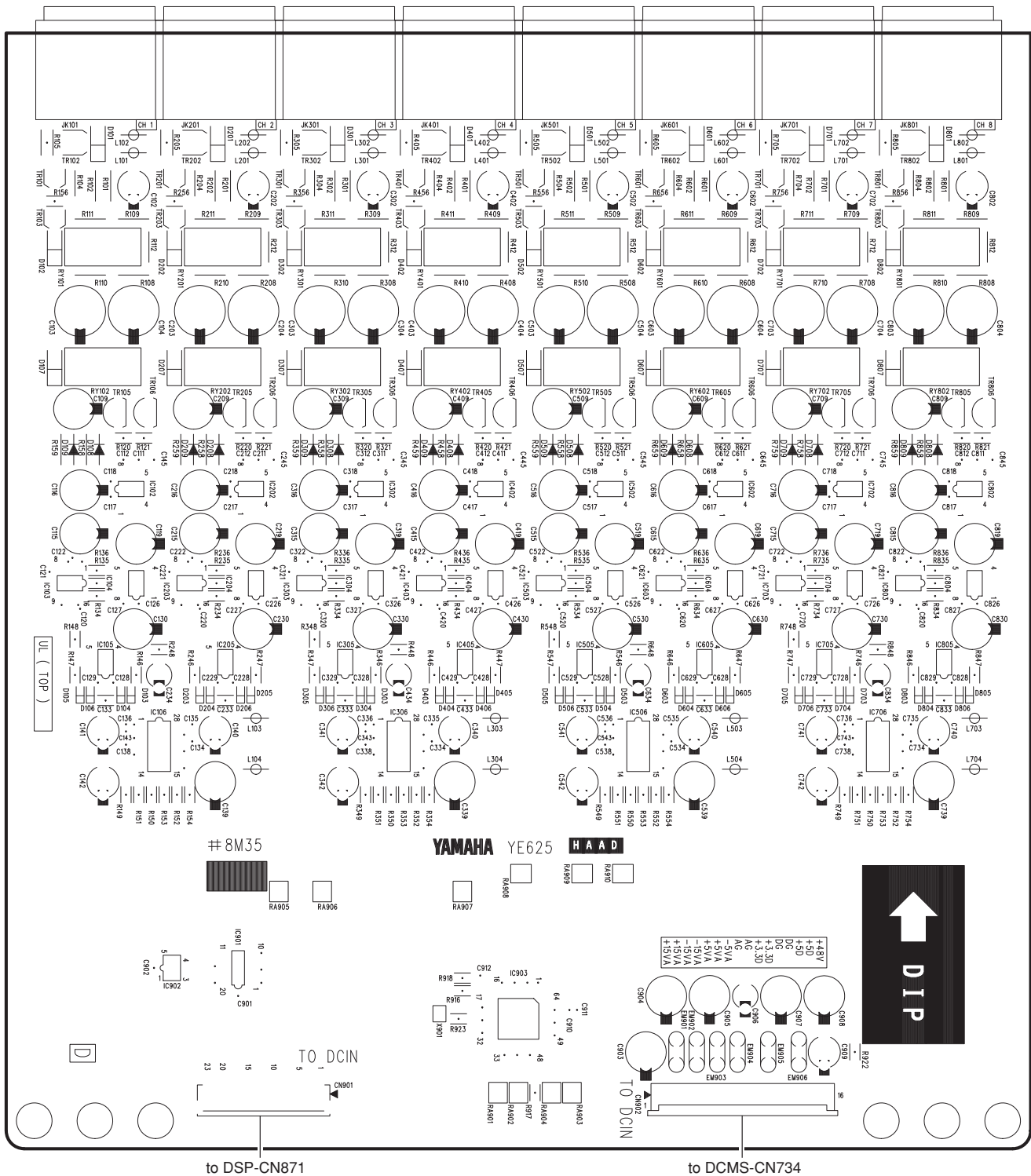
Component side (部品側)

● FX Circuit Board



Pattern side (パターン側)

● HAAD Circuit Board



#8M35

YAMAHA YE625 HAAD

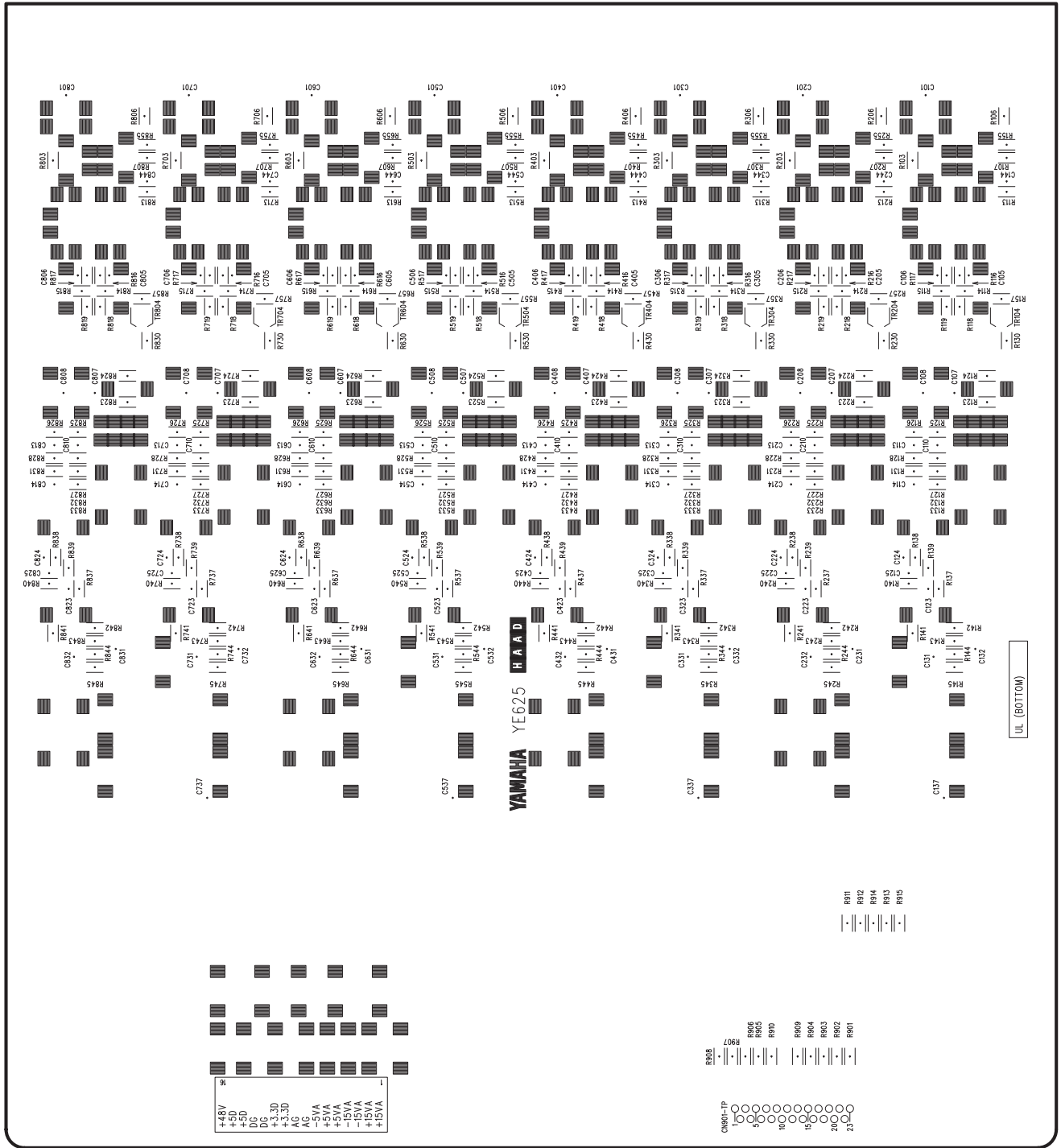


to DSP-CN871

to DCMS-CN734

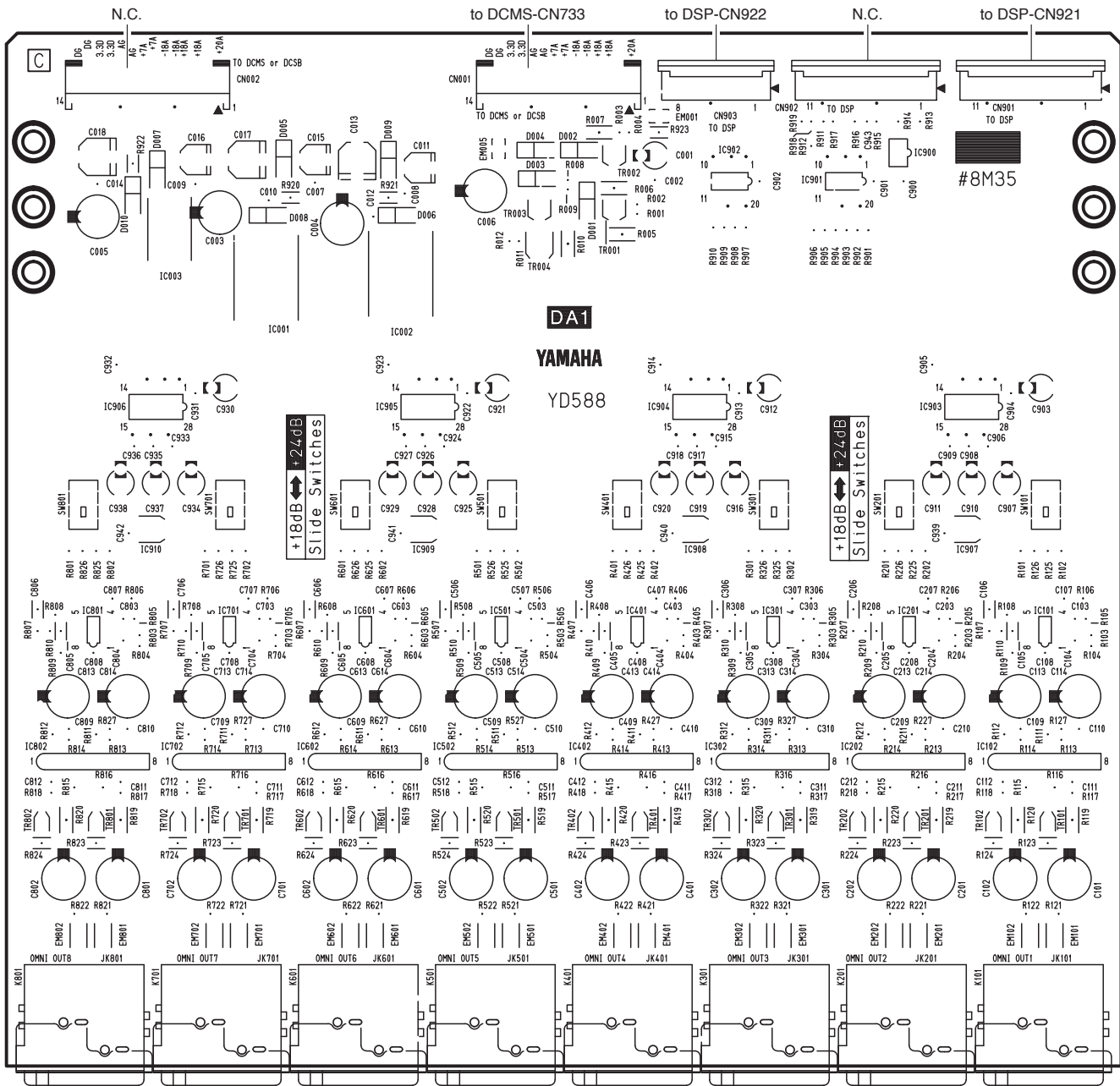
Component side (部品側)

● HAAD Circuit Board



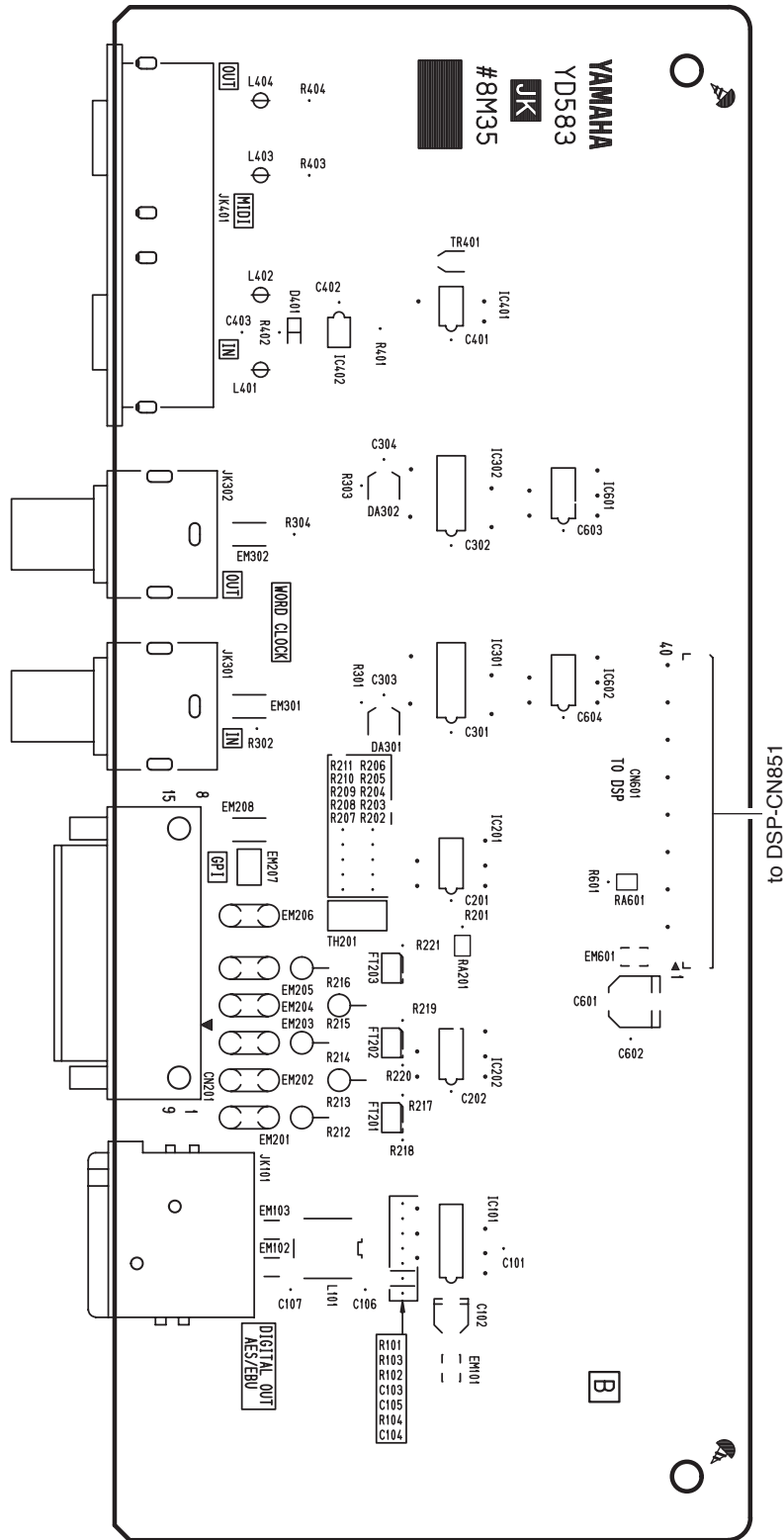
Pattern side (パターン側)

● DA Circuit Board



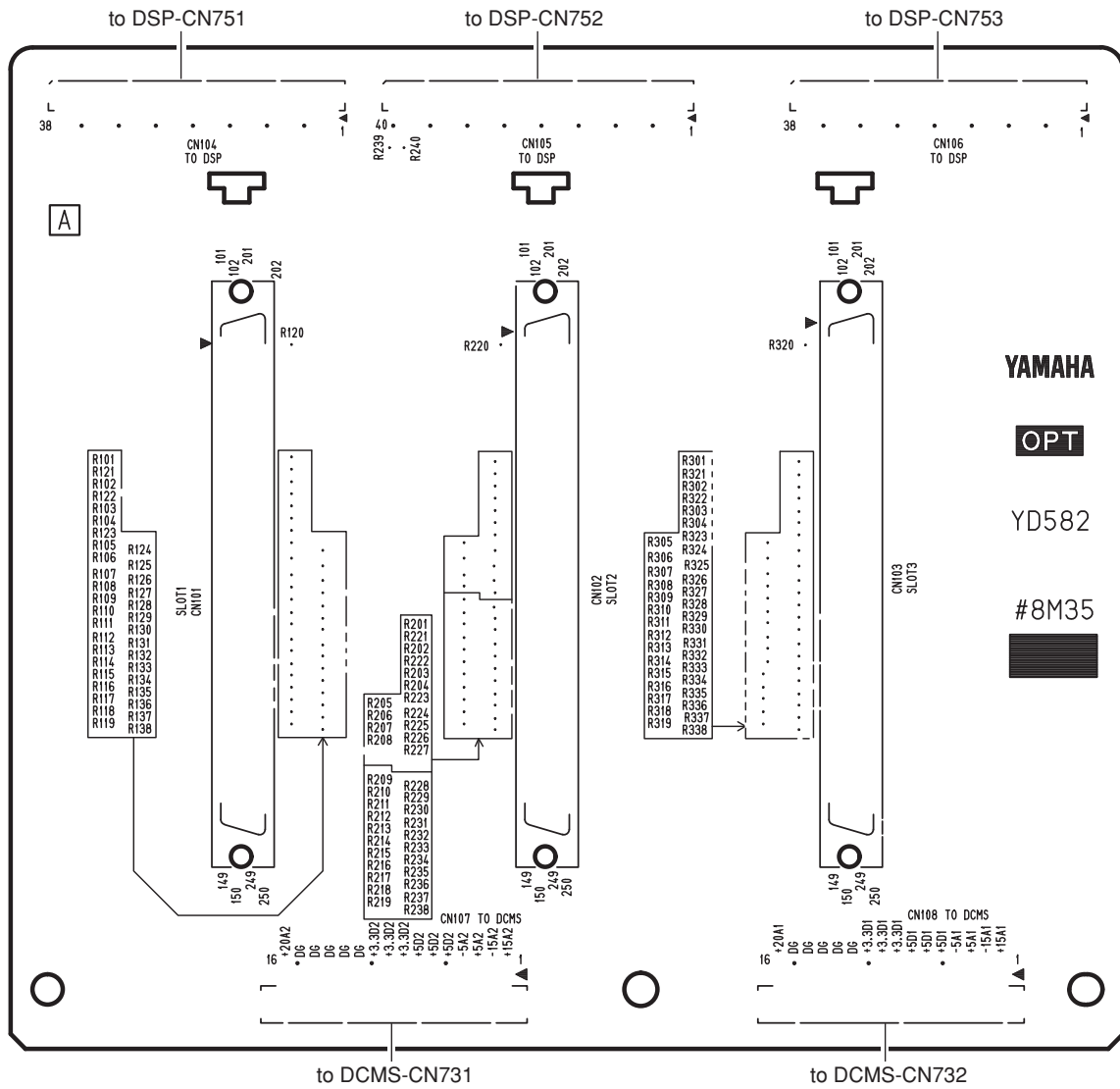
Component side (部品側)

● JK Circuit Board



Component side (部品側)

● OPT Circuit Board



YAMAHA

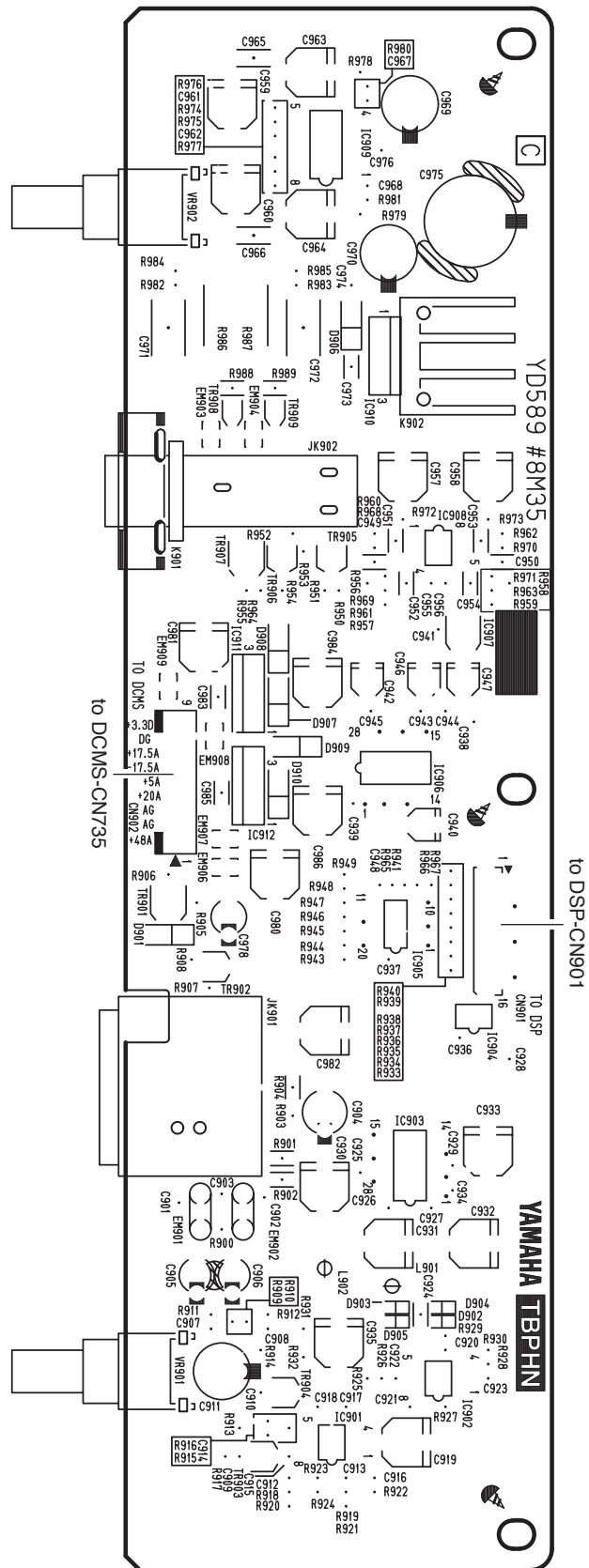
OPT

YD582

#8M35

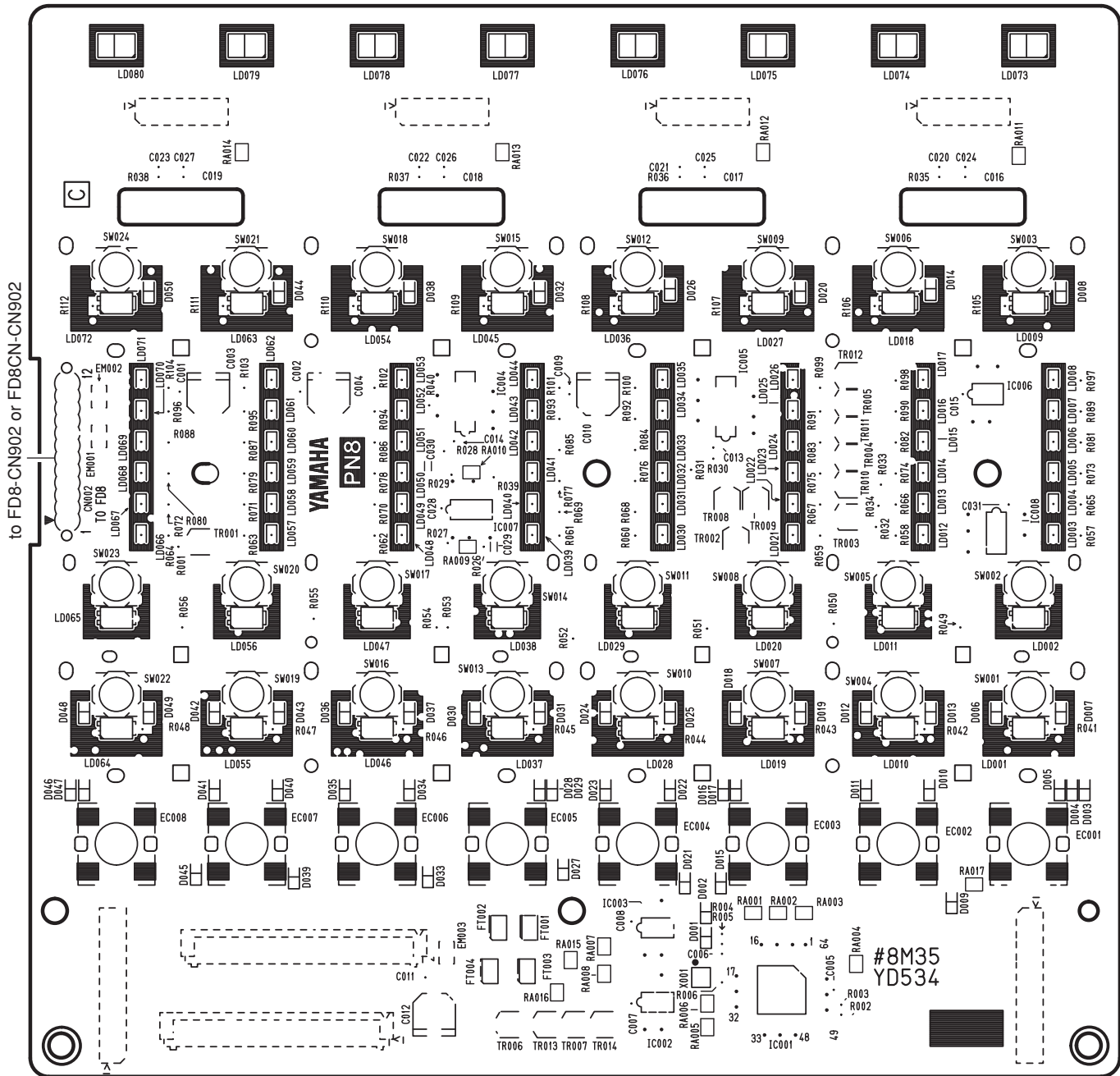
Component side (部品側)

●TBP HN Circuit Board



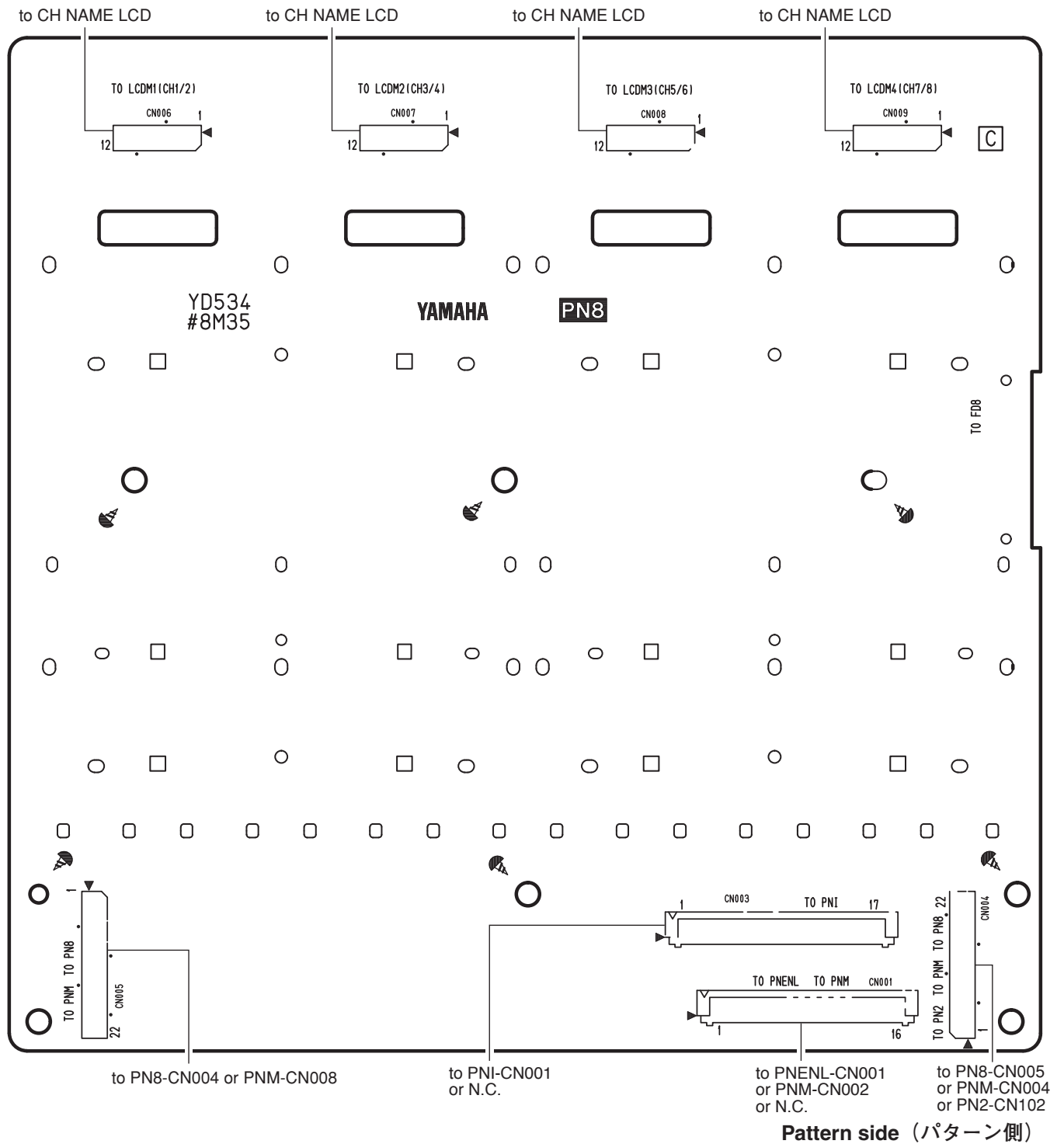
Component side (部品側)

● PN8 Circuit Board

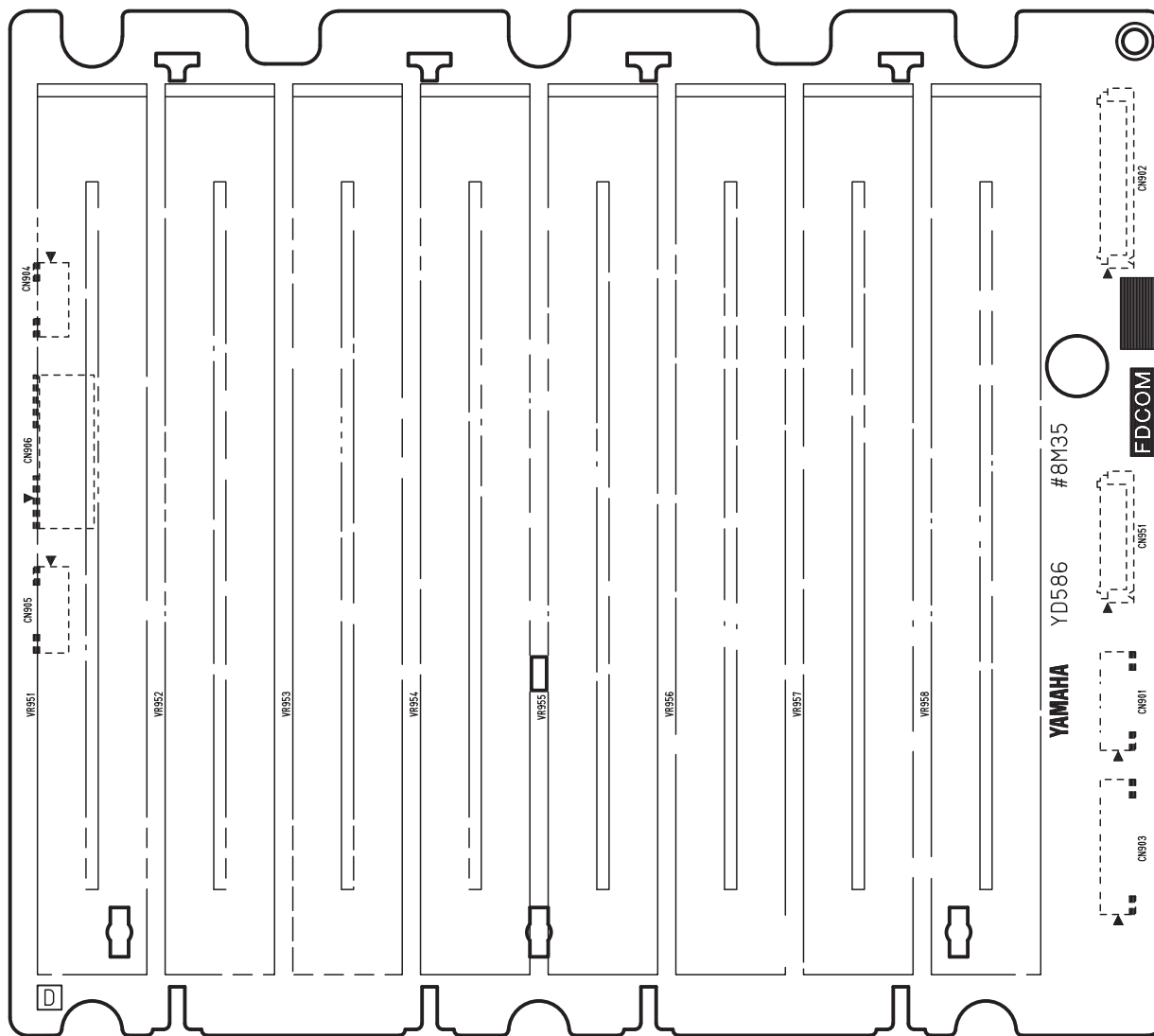


Component side (部品側)

● PN8 Circuit Board

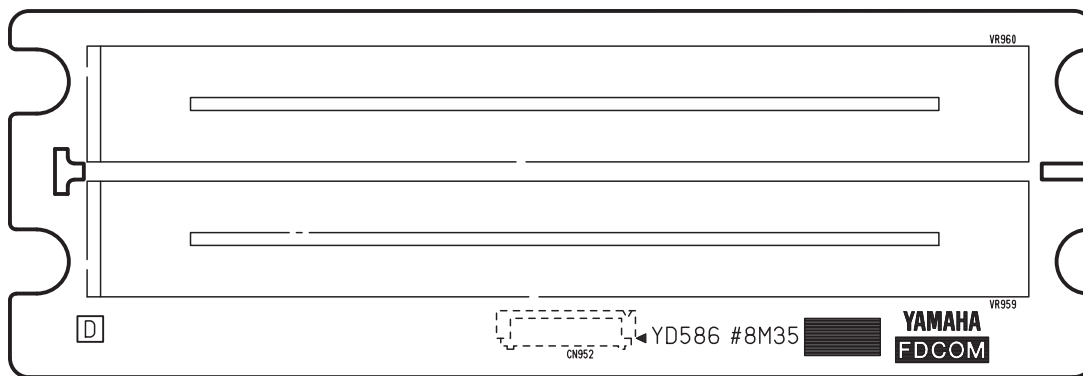


- FD8 Circuit Board
- FD8CN Circuit Board



Component side (部品側)

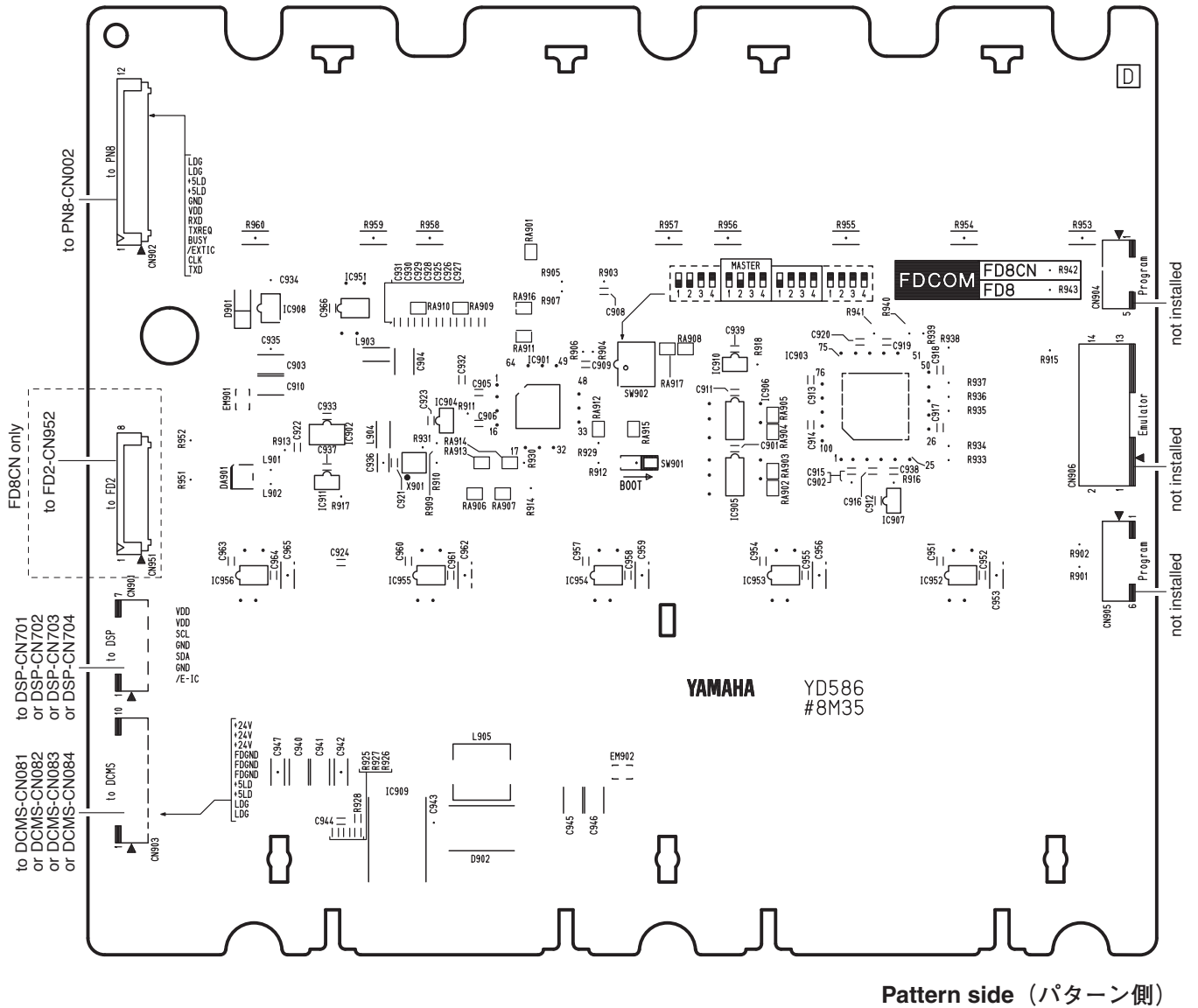
- FD2 Circuit Board



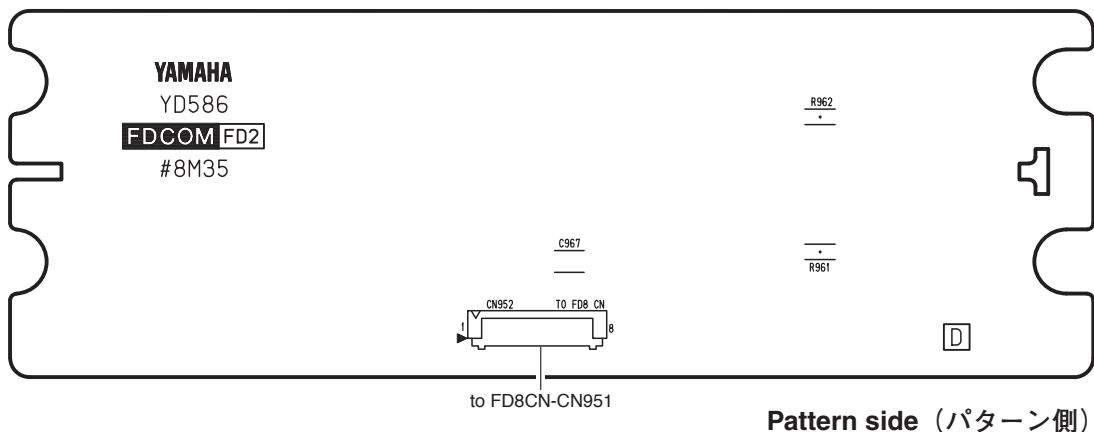
Component side (部品側)

FD8: 2NA-WY83050-3
 FD8CN: 2NA-WY83040-3
 FD2: 2NA-WY83040-3

- FD8 Circuit Board
- FD8CN Circuit Board

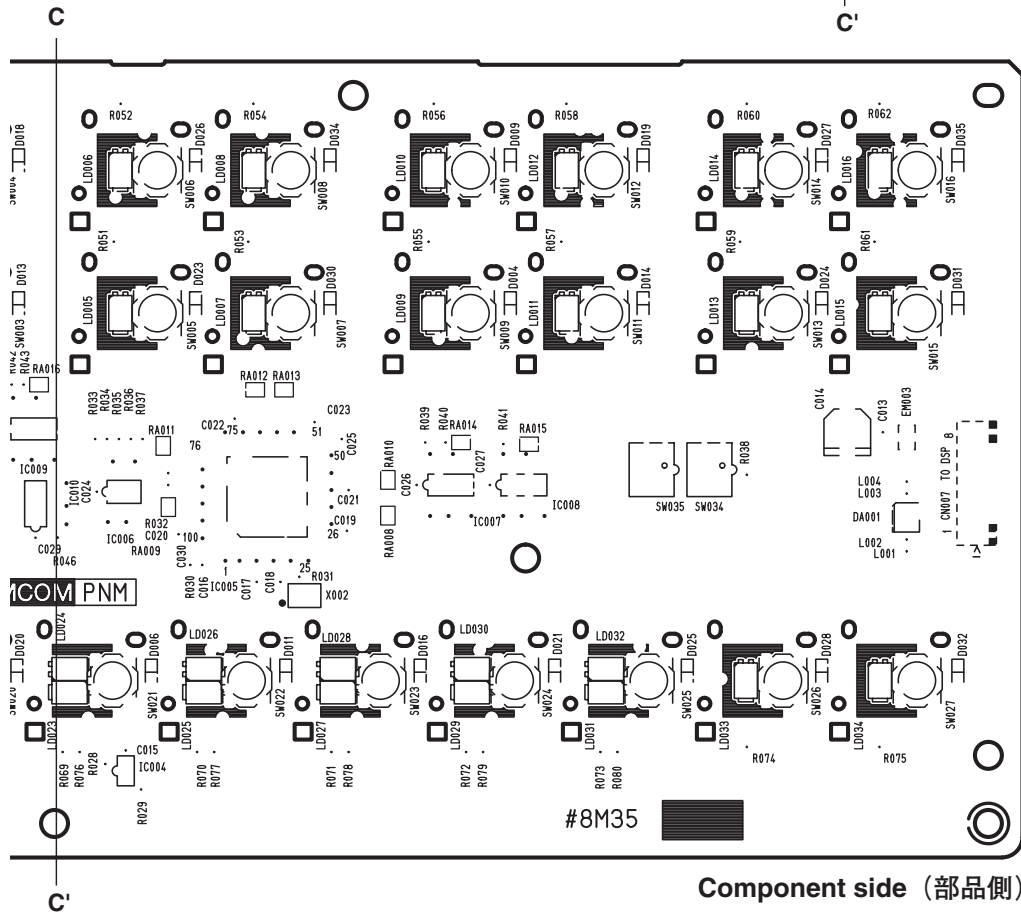
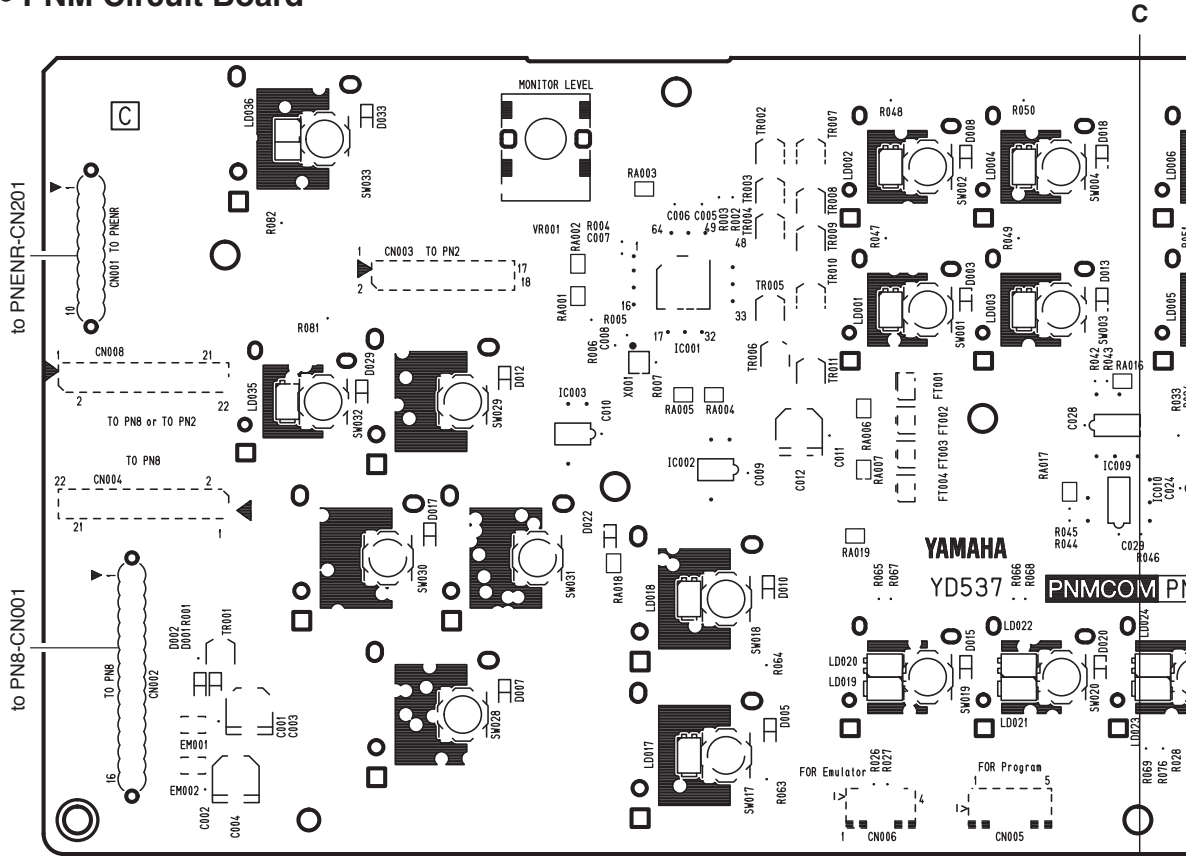


● FD2 Circuit Board

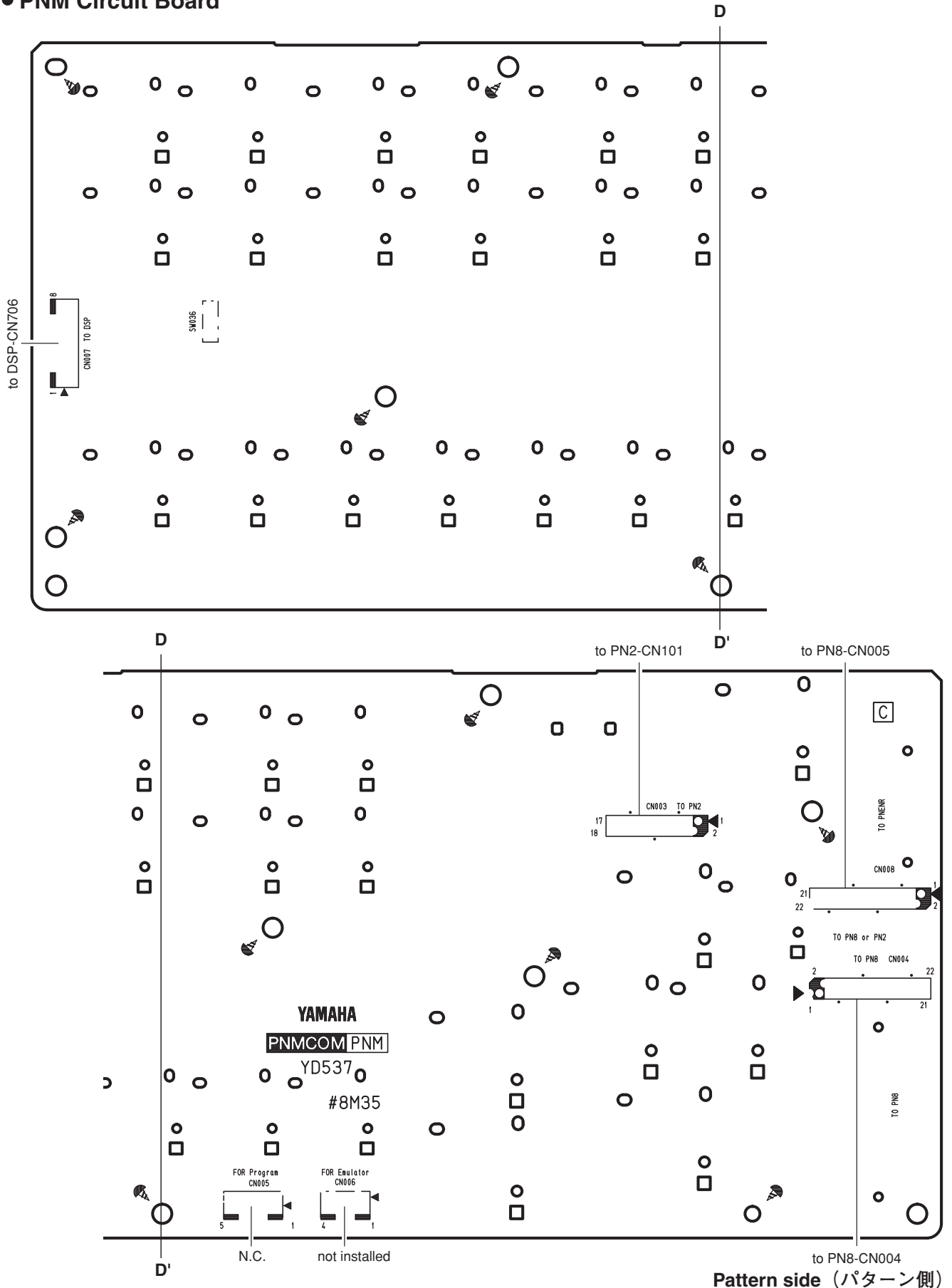


- FD8: 2NA-WY83050-2
- FD8CN: 2NA-WY83040-2
- FD2: 2NA-WY83040-2

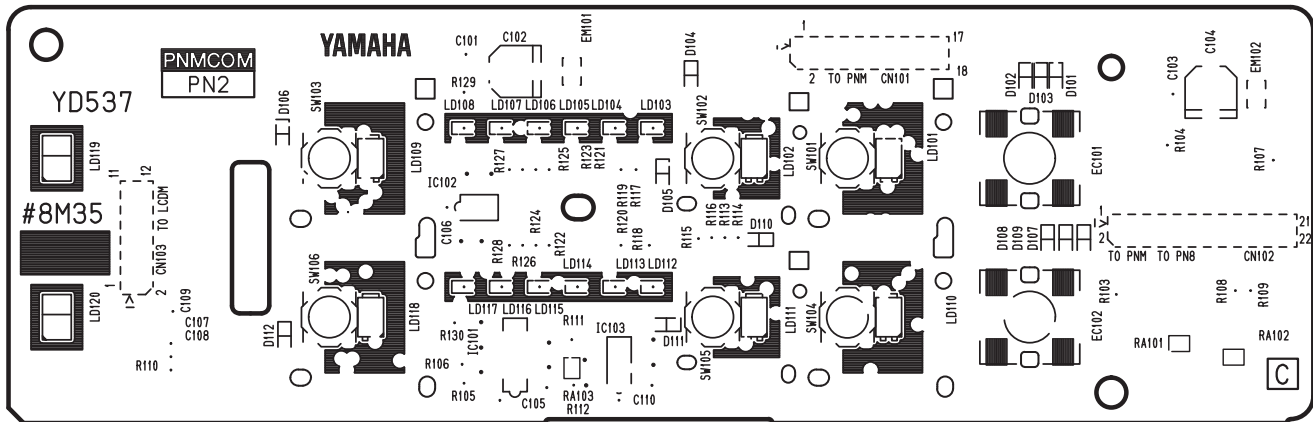
● PNM Circuit Board



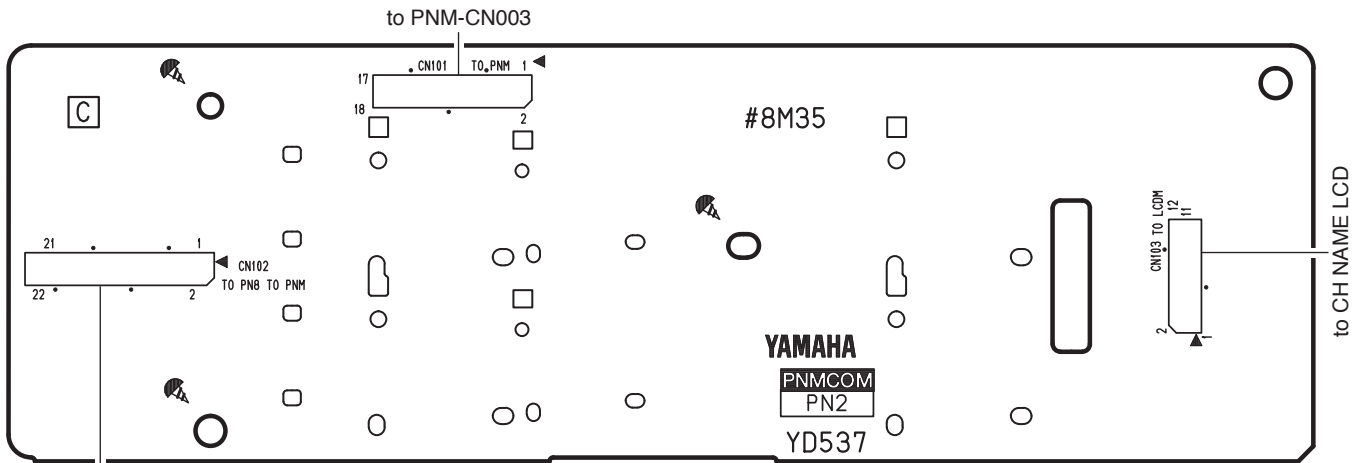
● PNM Circuit Board



● PN2 Circuit Board

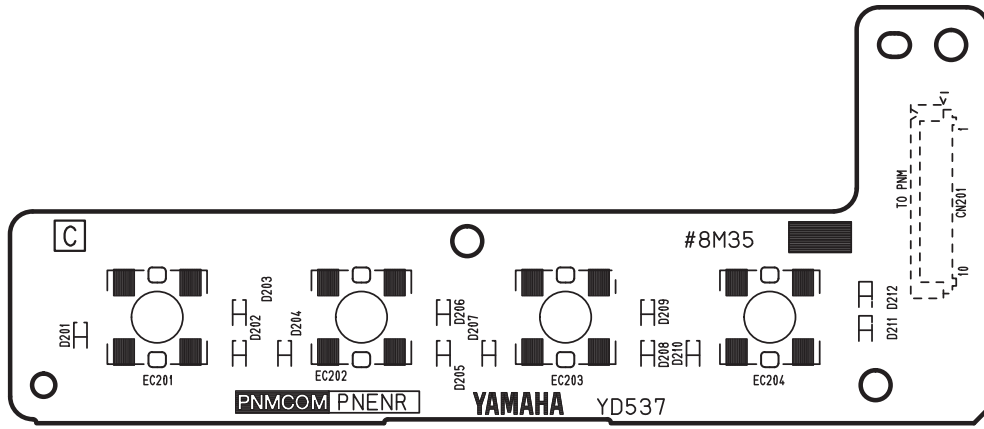


Component side (部品側)

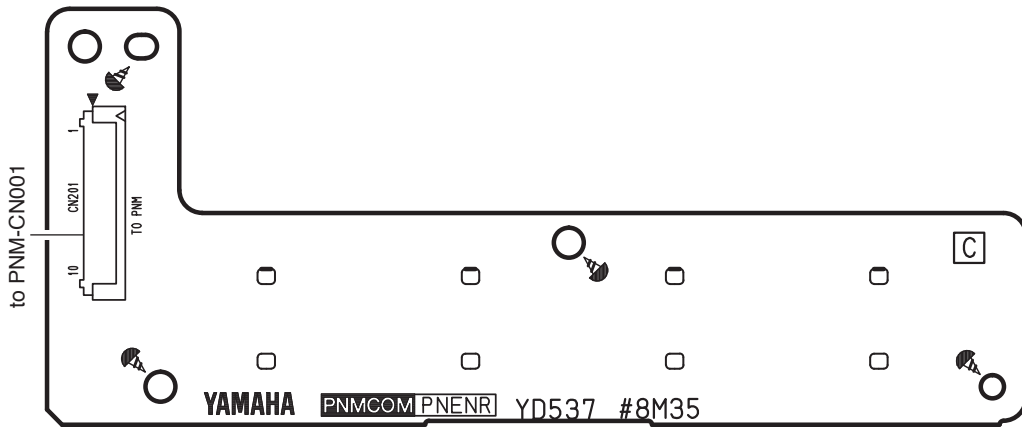


Pattern side (パターン側)

● PNER Circuit Board

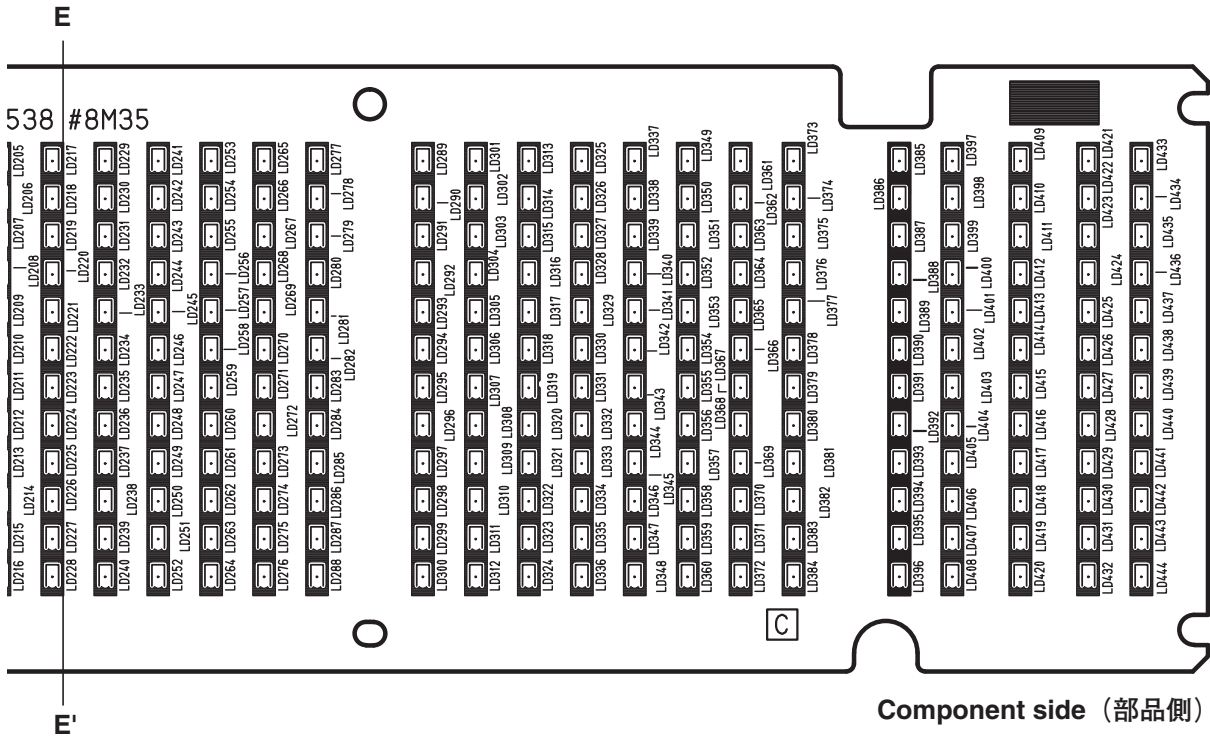
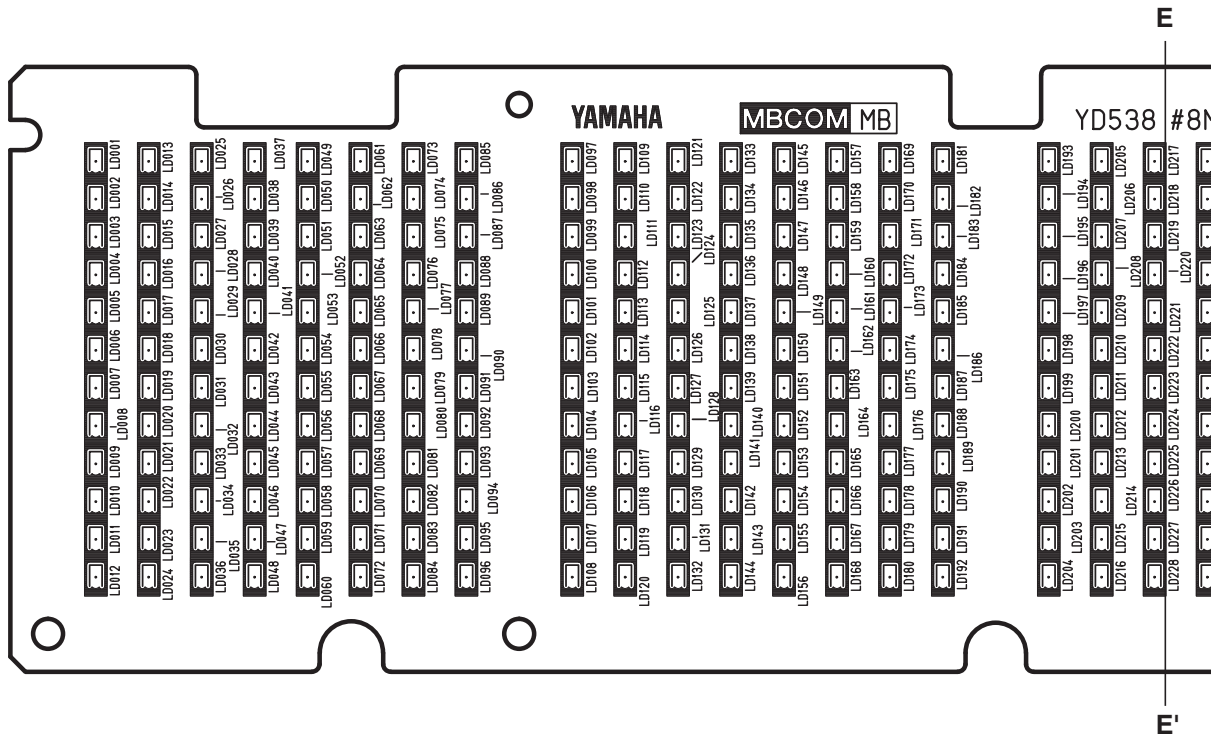


Component side (部品側)

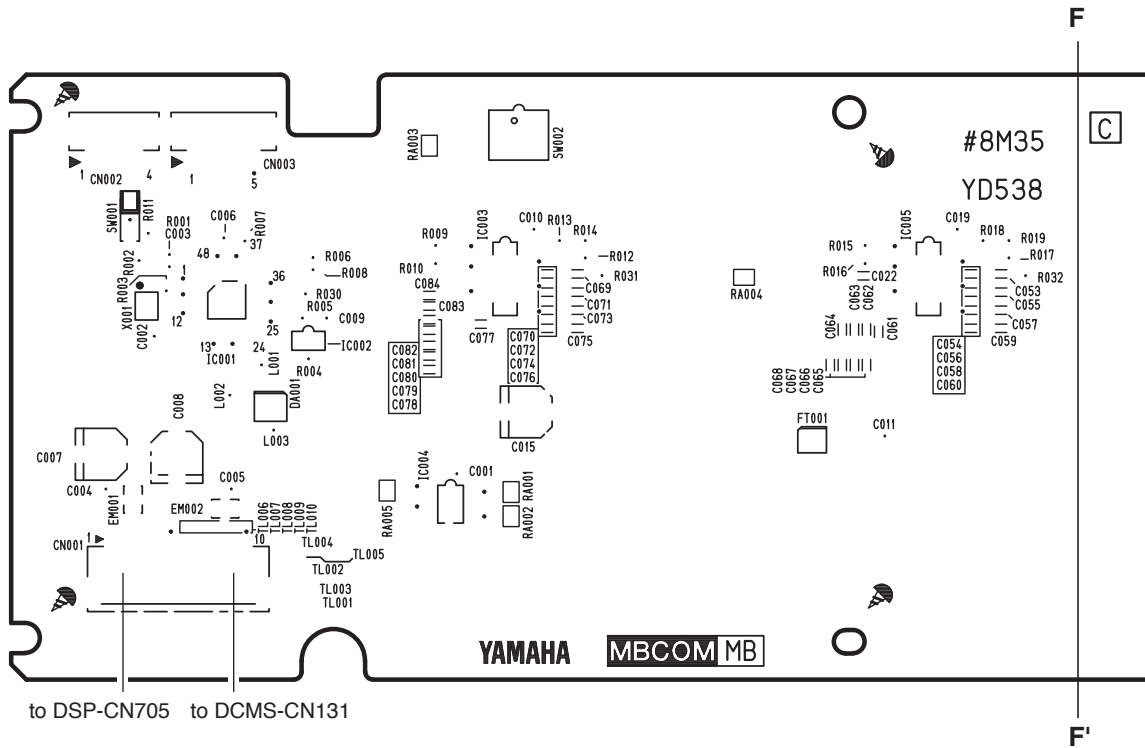


Pattern side (パターン側)

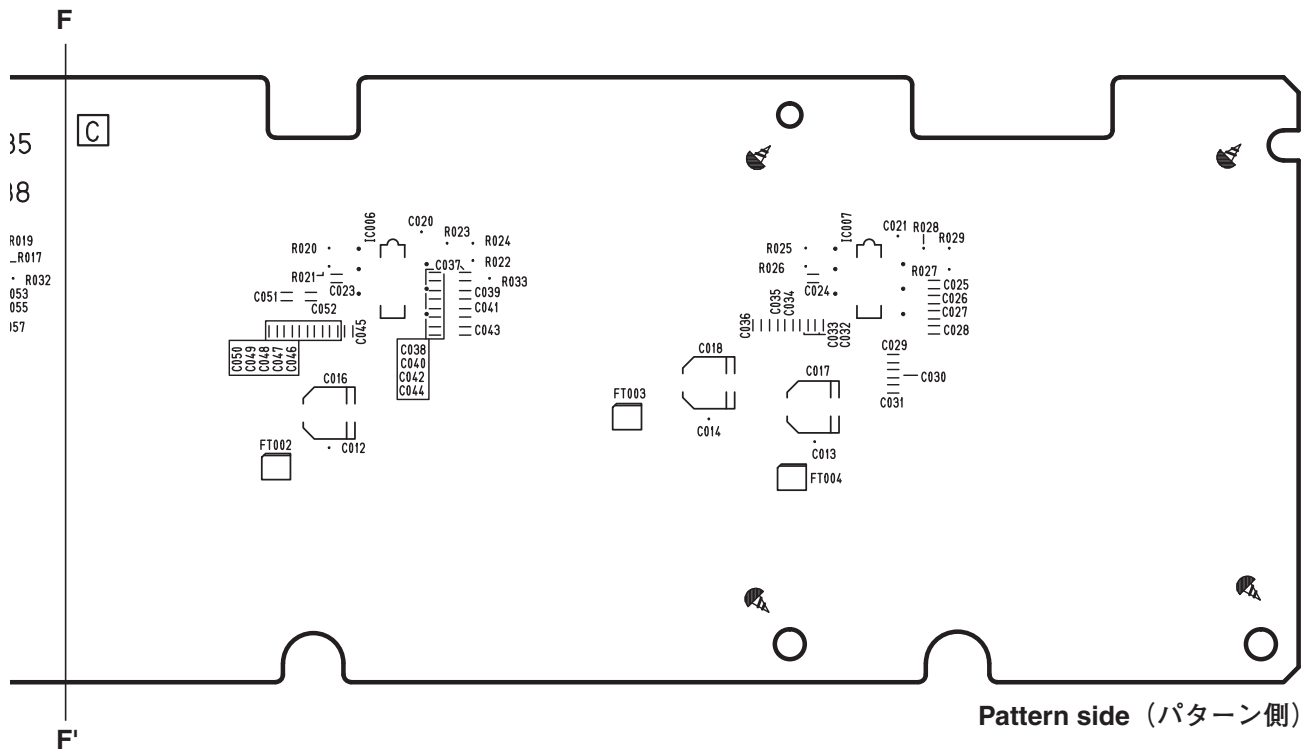
● MB Circuit Board



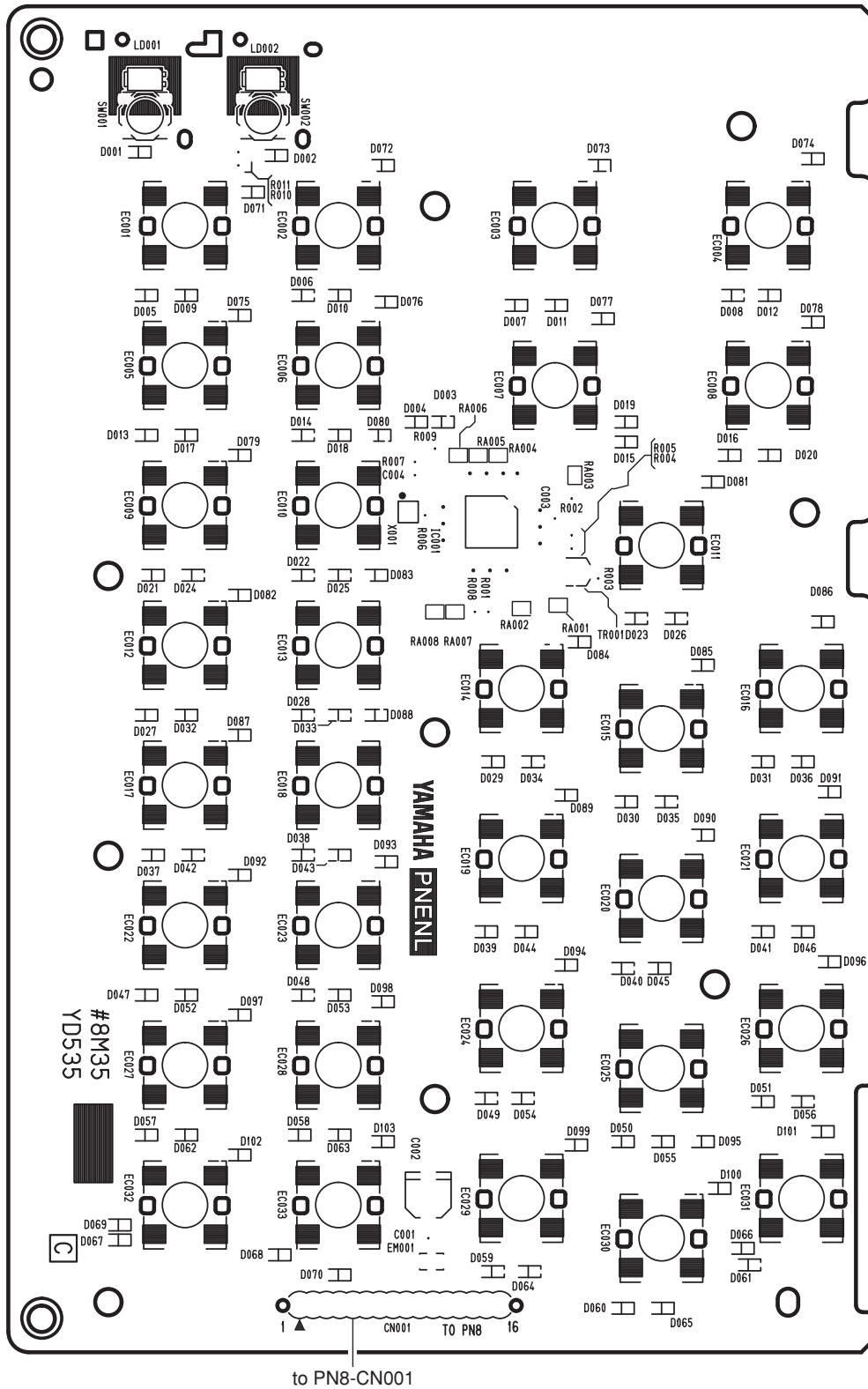
● MB Circuit Board



to DSP-CN705 to DCMS-CN131

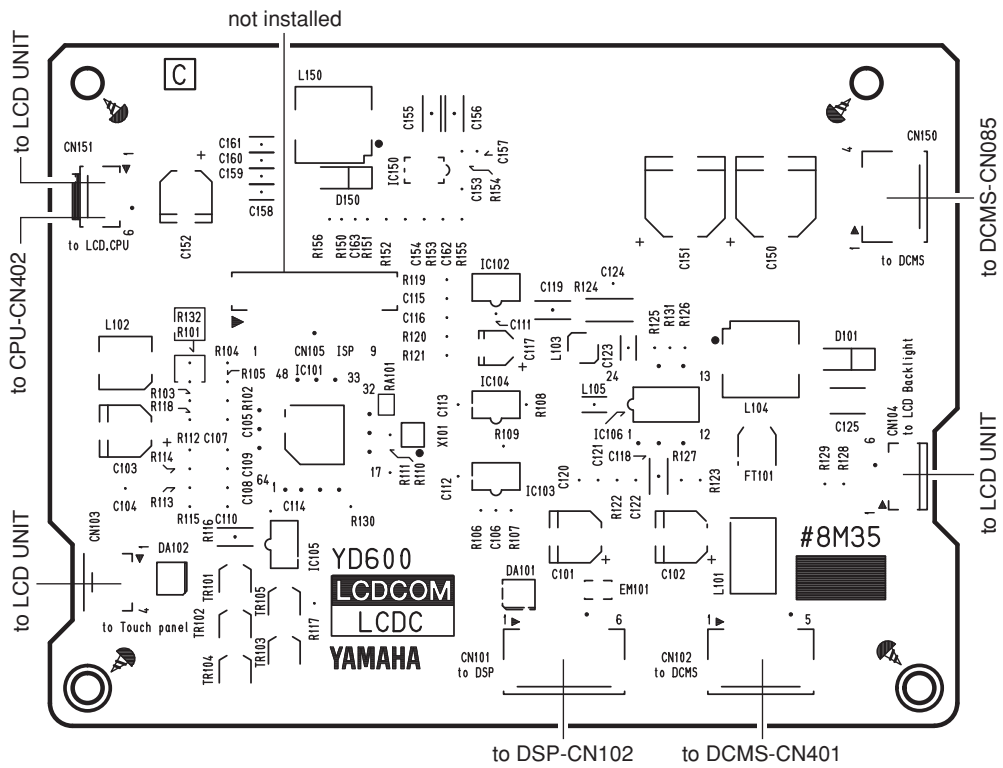


● PNEIL Circuit Board



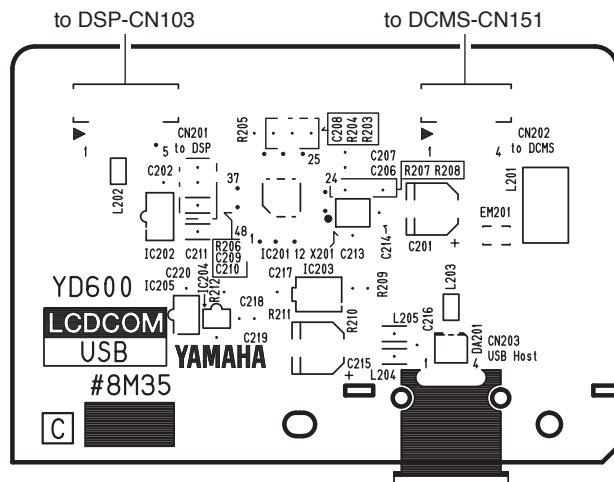
Component side (部品側)

● LCDC Circuit Board



Component side (部品側)

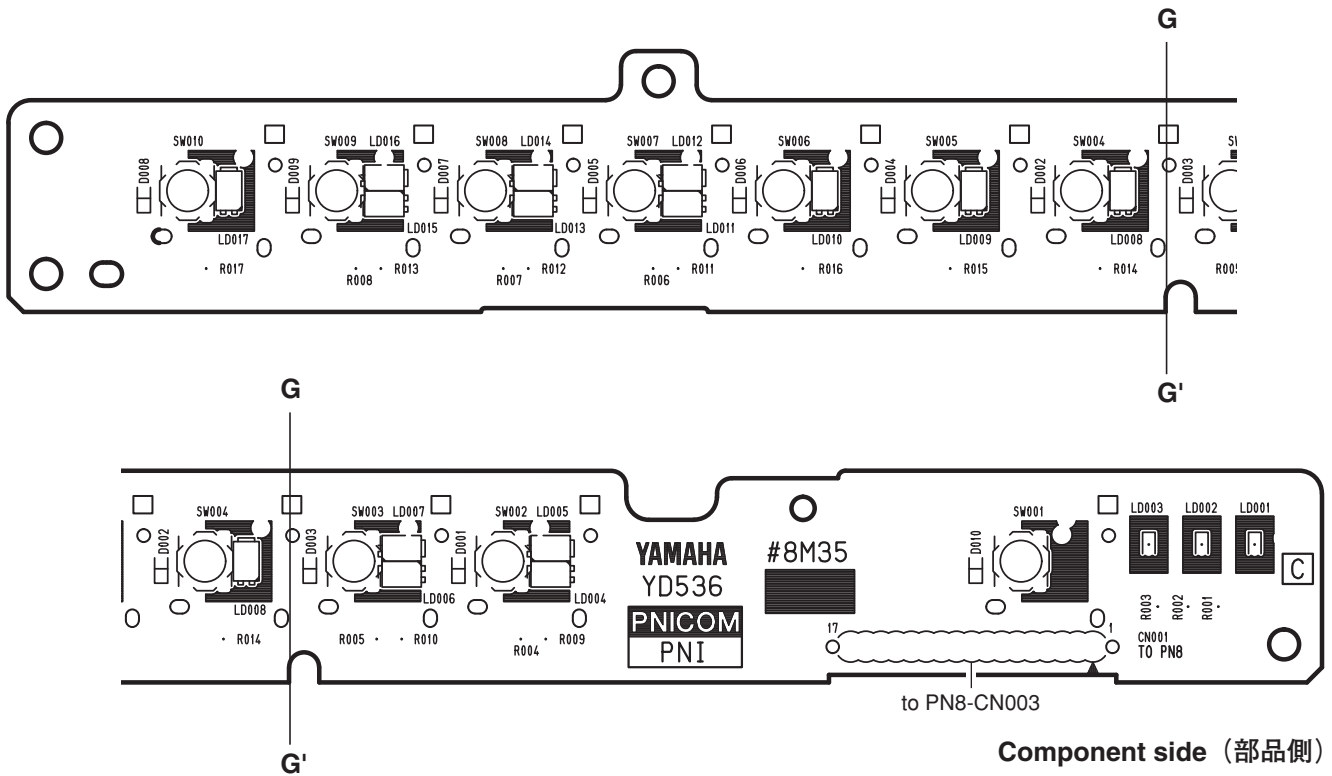
● USB Circuit Board



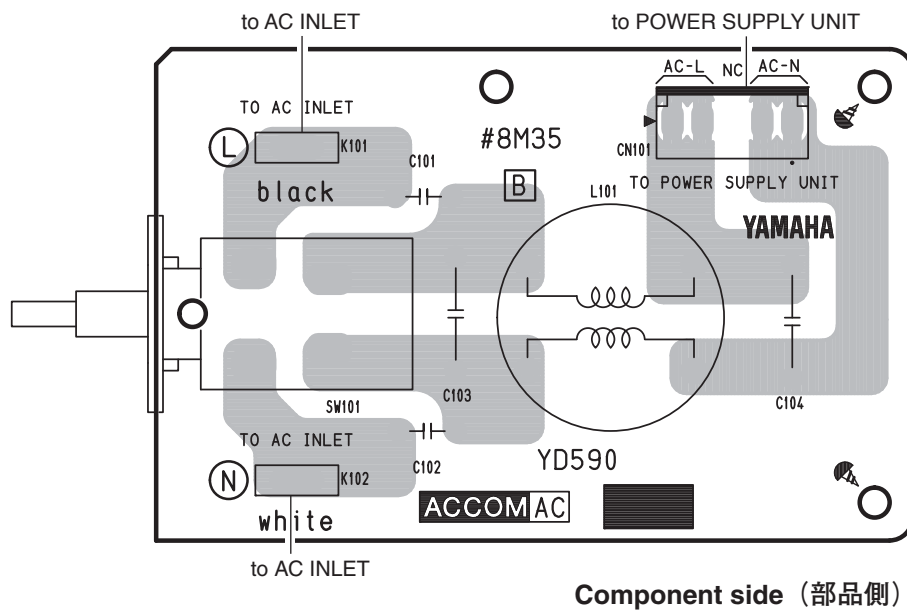
Component side (部品側)

LCDC: 2NA-WY93730-1
 USB: 2NA-WY93730-1

● PNI Circuit Board



● AC Circuit Board



■ INSPECTIONS

1. Preparation

1-1. Measuring instruments

Use measuring instruments which can measure the inspection items accurately with confidence.

Input impedance of the measuring device should be 100 k Ω or more.

- System Two
- Tester
- Filter (12.7 kHz, -6dB/OCT)
- Level meter

1-2. Parameters

◇ Unless otherwise specified, the parameter settings are as follows.

- Set the WORD CLOCK to INT 48 kHz.
- Set the “+48 V MASTER” to ON.
- Turn on only the channel being measured.

PAN:	CENTER
GAIN:	MIN
FADER:	NOMINAL (0 dB)
PHONES LEVEL:	MAX
TALKBACK GAIN:	MAX

- 0 dBu = 0.775 Vrms
- 0 dBFS = 0 dB, full scale
- The oscillator output impedance should be 150 Ω
- Correct the noise level measurement with a 12.7 kHz, -6 dB/octave low pass filter.
(For measurement, use the average values and not effective values.)
- Correct the distortion measurement with an 80 kHz -18 dB/octave low pass filter.

◇ For analog output inspection, add or change parameter settings as follows.

- For maximum output measurement, unless otherwise specified, output 0 dB from the built-in oscillator.
- Set the analog output loads as follows.

OMNI OUT:	600 Ω
PHONES:	8 Ω

1-3. Updating the Program

If the main program is not the latest version, it is required to update it to the latest version.

* For the latest version, download the latest program from the YSUSS home page and save it in the USB memory device.

(1) How to check the version of the main program

Press the [SET UP] button on the LCD screen and the current version will be shown in the “SETUP” page screen.

(2) How to update the program

For the program updating procedure, refer to the “UPDATING FIRMWARE”. (See page 140.)

1-4. Initialization

For initialization, turn on the power while pressing the [STORE] switch and execute “INITIALIZE ALL MEMORIES”. (See page 142.)

1-5. Fader Calibration

For the procedure of calibrating faders, refer to “FADER CALIBRATION”. (See page 145.)

1-6. Color Bar Calibration

For the procedure of calibrating the color bar, refer to “COLOR BAR AND CH NAME LCD CALIBRATION”. (See page 147.)

1-7. CPU circuit board MRAM Backup Check

Check that “Memory Error! Current Memories were Initialized” does not appear on the LCD screen when the power is turned on.

2. ANALOG IN/OUT Characteristic Inspection

2-1. OMNI IN 1-8 → OMNI OUT 1-8

Parameters: Input the analog signal from INPUT (XLR) of CH1-8 and measure the signal output from OUTPUT of CH1-8.

Assign OMNI IN CH 1-8 to OMNI OUT 1-8.

A. AIN MAIN

① Gain

Input Frequency	Input Level	Prescribed Output Level	Permissible Range
1 kHz	+10 dBu	+4 dBu	+4 \pm 2 dBu

② Distortion

Input Frequency	Output Level	Permissible Range
1 kHz	+22 dBu	0.01 % or below

③ Noise level

Parameters: Short the CH IN to be measured with 150 Ω .

Permissible Range
-80 dBu or below

④ Residual noise (OMNI OUT 1-8)

Parameters: Set OMNI IN CH1-8 to OFF.

Permissible Range
-88 dBu or below

⑤ CH 1-8 level difference

Confirm that the range of difference in the gain measured in item (1) above is as follows.

Permissible Range
Within 1 dB

⑥ Crosstalk between adjacent channels

Parameters: Turn on OMNI OUT of only one odd number channel for output, turn off OMNI OUT of other channels and measure the noise level of even number channels next to the odd number channel on both sides.

Short INPUT of the even number channels to be measured with 150 Ω.

Input Frequency	Output Level (Odd Channel)	Permissible Range (Even Channel)
1 kHz	+23 dBu	-57 dBu or below

Perform the same check on the even number channels.

⑦ Maximum output (OMNI OUT 1-8)

Parameters: Assign only the built-in oscillator to OMNI OUT 1-8.

Input Frequency	Output Level	Permissible Range	Permissible Range (Distortion)
1 kHz	+24 dBu	+24±0.5 dBu	0.01 % or below

B. GAIN MAX

① Gain (OMNI IN 1-8)

Input Frequency	Input Level	Prescribed Output Level	Permissible Range
1 kHz	-62 dBu	+4 dBu	+4±2 dBu

② Distortion (OMNI IN 1-8)

Input Frequency	Output Level	Permissible Range
1 kHz	+22 dBu	0.02 % or below

③ Noise level EIN (OMNI IN 1-8)

Parameters: Short CH IN to be measured with 150 Ω.

Permissible Range
-62 dBu or below

If the measured value is out of the above permissible range, confirm that “measured value – (Gain at 1kHz) ≤ -128” is obtained.

④ Level difference (OMNI IN 1-8)

Confirm that the range of difference in the gain measured in item ① above is as follows.

Permissible Range
Within 2 dB

C. PHANTOM VOLTAGE (OMNI IN 1)

With No.2 and No.3 pins of XLR shorted and 10 kΩ load connected between No.2 and No.1 pins, check that the voltage is as follows when the +48 key is turned on.

Permissible Range
DC 33.6 – 36.1 V

Also, check that discharging starts immediately when the +48 key is turned off.

2-2. PHONES L, R

Parameters: Input from INPUT (XLR) of OMNI IN 1.

Assign OMNI IN 1 to STEREO.

Set MONITOR SOURCE to STEREO I/R.

Set PHONES LEVEL LINK to OFF.

① Gain (PHONES L, R)

Input Frequency	Input Level	Prescribed Output Level	Permissible Range
1 kHz	0 dBu	0 dBu	0±2 dBu

② Distortion (PHONES L, R)

Input Frequency	Output Level	Permissible Range
1 kHz	0 dBu	0.15 or below

③ Residual noise (PHONES L, R)

Parameters: Turn off STEREO.

PHONES Level	Parameter Range
MAX	-79 dBu or below
MIN	-88 dBu or below

④ PHONES L to R level difference

Confirm that the range of difference in the gain measured in item ① above is as follows.

Permissible Range
Within 2 dB

⑤ Maximum output (PHONES L, R)

Parameters: Assign only the built-in oscillator to STEREO and output -27 dB from the built-in oscillator.

Input Frequency	Output Level	Permissible Range	Permissible range (Distortion)
1 kHz	+3 dBu	+3±0.5 dBu	0.15 % or below

⑥ L to R crosstalk

Parameters: Set PAN fully to the L side.

Input Frequency	Output Level	Permissible Range
1 kHz	+3 dBu	-56 dBu or below

Perform the same check on the R side.

2-3. TALKBACK

Parameters: Use OMNI OUT 1 for the inspection.

Assign TALKBACK to MIX1.

Turn TALKBACK to ON.

A. GAIN MAX

① Gain

Input Frequency	Input Level	Prescribed Output Level	Permissible Range
1 kHz	-60 dBu	+4 dBu	+4±2 dBu

② Distortion

Input Frequency	Output Level	Permissible Range
1 kHz	+22 dBu	0.02 % or below

③ Noise level EIN

Parameters: Short TALKBACK IN with 150 Ω.

Permissible Range
-64 dBu or below

If the measured value is out of the above permissible range, confirm that “measured value – (Gain at 1kHz) ≤ -128” is obtained.

B. GAIN MIN

① Gain

Input Frequency	Input Level	Prescribed Output Level	Permissible Range
1 kHz	-16 dBu	+4 dBu	+4±2 dBu

② Distortion

Input Frequency	Output Level	Permissible Range
1 kHz	+22 dBu	0.01 % or below

③ Noise level EIN

Parameters: Short TALKBACK IN with 150 Ω.

Permissible Range
-80 dBu or below

C. PHANTOM VOLTAGE

With No.2 and No.3 pins of XLR shorted and 10 kΩ load connected between No.2 and No.1 pins, check that the voltage is as follows when the +48 key is turned on.

Permissible Range
DC 33.6 – 36.1 V

Also, check that discharging starts immediately when the +48 key is turned off.

3. DIGITAL OUT Characteristic Inspection**3-1. 2TR OUT DIGITAL**

Parameters: Use system Two.

Input from OMNI IN 1.

A. WORD CLOCK INT48 kHz.

Parameters: Set WORD CLOCK to INT 48 kHz.

① Gain (2TR OUT DIGITAL)

Input Frequency	Input Level	Prescribed Output Level	Permissible Range
1 kHz	+10 dBu	-20 dBFS	-20±2 dBFS

② f characteristic (2TR OUT DIGITAL)

Parameters: 1 kHz is used as the reference of the permissible range.

Input Frequency	Output Level	Permissible Range
20 Hz	+10 dBu	-1.0 – 0.5 dB
20 kHz	+10 dBu	-1.0 – 0.5 dB

③ Distortion (2TR OUT DIGITAL)

Input Frequency	Output Level	Permissible Range
1 kHz	-2 dBFS	0.002 % or below

3-2. PLL Operating Range of WORD CLOCK IN

Parameters: Use the System Two.

When measuring the L channel, use OMNI OUT 7 (L).

When measuring the R channel, use OMNI OUT 8 (R).

Select WC IN for WORD CLOCK.

Input from OMNI IN 1.

Use the Dante Controller.

With the PC and Dante PRIMARY terminal of the main unit connected with a network cable, click the device label twice.

Click the Device Config tab on the Device View screen.

A. 48 KHz + 4.1667 % (50 kHz)

Parameters: When checking the WORD CLOCK IN, set the oscillator frequency to 50 kHz.

Set the Sample Rate column on the Device Config screen as follows.

Pull-up/down: +4.1667 %

① Distortion (WORD CLOCK IN)

Input Frequency	Output Level	Permissible Range
1 kHz	+22 dBu	0.02 % or below

B. 44.1 kHz - 4 % (42.336 kHz)

Parameters: When checking the WORD CLOCK IN, set the oscillator frequency to 42.336 kHz.

Set the Sample Rate column in the Device Config screen as follows.

Sample Rate: 44 k

Pull-up/down: -4 %

① Distortion (WORD CLOCK IN)

Input Frequency	Output Level	Permissible Range
1 kHz	+22 dBFS	0.02 % or below

3-3. Jitter Measurement

Parameters: Use System Two.
 Select Sec. PK.
 Use 2TR OUT DIGITAL for the inspection.

A. WORK CLOCK INT

Parameters: Select the WORD CLOCK values shown in the following table.

① Jitter

WORD CLOCK	Permissible Range
INT 44.1 kHz	2 nsec or below
INT 48 kHz	2 nsec or below

B. WORD CLOCK EXT

Parameters: Set WK IN for WORD CLOCK.
 For inspection, set the frequency of the oscillator as in the table below.

① Jitter (WORD CLOCK IN)

WORD CLOCK	Permissible Range
44.1 kHz	5 nsec or below
48 kHz	5 nsec or below

4. Fader Inspection

Parameters: Use the “SEISAN1. CLF” file for the “scene data for fader inspection”

INSPECTIONS

Recall scenes 1 to 4 one by one to operate the fader for the following check.

Judgment criteria 1:

Check that no fader vibrates when stopping at $-\infty$ and +10 dB indications during the above operation.
 Check that no fader vibrates while the fader is moving (during the fading time) when recalling scenes 3 and 4 and that no fader delays by more than 0.5 % second compared with the adjacent fader.

Judgment criteria 2:

Check that the fader positions are as follows.

- ① When all the faders are at the topmost place.
 Make sure that all the faders are within 2 mm from the 10 dB indication.
- ② When all the faders are at the lowermost place
 Make sure that all the faders are within 2 mm from the $-\infty$ indication.

5. Sound Check

Check the following items by listening.

① ANALOG INPUT, ANALOG OUTPUT

Parameters: Check at OMNI IN 1 -> OMNI OUT 7.
 Select WORD CLOCK as follows and make sure that the sound is not interrupted while listening for 15 seconds or longer.
 1) DANTE 48 kHz
 2) DANTE 44.1 kHz

② EFFECT function (DSP6 operation check)

Parameters: Use the “SEISAN1.CL5A” file as “sound scene data”.
 Set WORD CLOCK to INT 48 kHz.
 Put music signals into DANTE input and listen to output from PHONES OUT.
 To put music signals into DANTE input, use Cubase.
 For the details, refer to “DANTE sound output check” on page 154.

INSPECTIONS

Recall scene 5 (Reverb) and check the signal for at least 15 seconds.

Judgment criteria 1:

Confirm that the EFFECT sound is output.

Judgment criteria 2:

Confirm that the output is free from noise.

In the same manner, recall scenes 6 through 36 and check by listening.

The scene numbers and EFFECT types are as follows.

scene No.	Rack No.	EFFECT TYPE
5	1	Reverb
6	1	Symphonic
7	1	HQ Pitch
8	1	Dynamic Filter
9	2	Reverb
10	2	Symphonic
11	2	Dual Pitch
12	2	Dynamic Filter
13	3	Reverb
14	3	Symphonic
15	3	HQ Pitch
16	3	Dynamic Filter
17	4	Reverb
18	4	Symphonic
19	4	Dual Pitch
20	4	Dynamic Filter
21	5	Reverb
22	5	Symphonic

scene No.	Rack No.	EFFECT TYPE
23	5	Dual Pitch
24	5	Dynamic Filter
25	6	Reverb
26	6	Symphonic
27	6	Dual Pitch
28	6	Dynamic Filter
29	7	Reverb
30	7	Symphonic
31	7	HQ Pitch
32	7	Dynamic Filter
33	8	Reverb
34	8	Symphonic
35	8	Dual Pitch
36	8	Dynamic Filter

③ DANTE input/output check

Parameters: Set the OUTPUT button of OSCILLATOR on the monitor screen to ON in advance.

At the end of Cubage reproduction in the EFFECT sound output check, Scene 38 for DANTE input/output check will be recalled

Listen to the sound of the oscillator for 15 seconds to check that no noise is included.

For the details, refer to “DANTE sound output check” on page 154.

6. Lamp Voltage Measurement

Measure the voltage between pins No.3 and No.4 at 3 places on the rear panel.

Measure the voltage when the LAMP DIMMER is at MAX and MIN positions.

	MAX	MIN
Permissible Range	12.0 V \pm 1.0 V	0.65 V \pm 0.5 V

7. Fan Operation Check

After turning on the power switch, check that no fan operation error is shown on the display.

8. Power Unit Output Voltage Check

After turning on the power switch, check the voltage between pins No.1 (24V) and No.15 (GND) of the DC POWER INPUT terminal on the rear panel.

Voltage value: +25.0 V \pm 0.5 V

* If the output voltage is out of the above voltage range, adjust it so that it is within the range, using the voltage adjusting control VR601 on the power unit.

9. Normal Start Check

With the power to the main unit turned off and the PW800W connected, check for proper starting.

10. Power CAUTION Check

With the PW800W connected to the main unit and both powers turned on, check as follows.

- ① Power CAUTION of the main unit
Check that the CAUTION indication appears on the display when only the power to the main unit is turned off.
- ② Power CAUTION of the W800W
Check that the CAUTION indication appears on the display when only the power to the PW800W is turned off.

11. MY SLOT Power Check

Parameters: For the “MY SLOT card for testing”, use the one with the extended cable for the power voltage check connected to each land terminal of CN102 of MY16-EX.

INSPECTIONS

Insert the MY SLOT card for testing into all the MY SLOT openings of the main unit and measure each power voltage with the tip of the cable.

Terminal Name	+3.3D	+5D	+15A	-15A
Power Voltage Permissible Range	3.3 \pm 0.3 V	5.0 \pm 0.5 V	15.0 \pm 0.8 V	-15.0 \pm 0.8 V

Terminal Name	+5A	-5A	+20A
Power Voltage Permissible Range	5.0 \pm 0.3 V	-5.0 \pm 0.3 V	20.0 \pm 1.0 V

12. Checking starting of channel name display and channel color indicator

If the power is turned on again within a few seconds after it was turned off, the channel name display and channel color indicator may fail to start.

After waiting for 4 seconds after the power is turned off, turn it on again and then check to ensure that the panel including the channel name display and channel color indicator starts to operate properly.

■ SETTINGS FOR SHIPMENT

1. Initialization

While pressing the [STORE] and [INC] switches at the same time, turn on the power for forced initialization. After that, “Flash Memory Initializing Finished” will appear as confirmation. Then press [CLOSE] to end the procedure.

2. Settings of operation elements

Set each operation element as follows.

MONITOR LEVEL:	MIN
TALKBACK GAIN:	MIN
PHONES LEVEL:	MIN

■ 検査

1. 準備

1-1. 測定器

検査に使用する測定器は、各検査項目を十分精度良く測定できる精度及び確度をもつものを使用してください。

測定器の入力インピーダンスは 100 k Ω 以上とします。

- System Two
- テスター
- フィルター (12.7 kHz、-6 dB/OCT)
- レベル計

1-2. 条件

◇特に指定しないときは以下の条件とします。

- WORD CLOCK は INT48 kHz にします。
- +48 V MASTER を ON にします。
- 測定 CH のみ ON とします。

PAN :	センター
GAIN :	MIN
FADER :	NOMINAL (0 dB)
PHONES LEVEL :	MAX
TALKBACK GAIN :	MAX
- 0 dBu = 0.775 Vrms
- 0 dBFS = 0 デシベル・フルスケール
- 発振器の出力インピーダンスは 150 Ω とします。
- ノイズ測定は 12.7 kHz、-6 dB/OCT の LPF で補正します。
(実効値ではなく平均値での測定とします。)
- 歪み測定は 80 kHz、-18 dB/OCT の LPF で補正します。

◇アナログ出力の検査時は以下の条件を追加、変更します。

- 最大出力測定時、特に指定のない場合は内蔵オシレーターから 0 dB を出力します。
- アナログ出力の負荷は、

OMNI OUT :	600 Ω
PHONES :	8 Ω

 とします。

1-3. プログラムのアップデート

本体のプログラムが最新バージョンになっていない場合、最新のプログラムにバージョンアップする必要があります。

※最新のプログラムは、YSSISS ホームページよりダウンロードして、USB 記憶装置に保存します。

(1) 本体のプログラムのバージョン確認方法

LCD 画面内で [SET UP] を押すと、“SETUP” のページ画面に現在のバージョンが表示されます。

(2) プログラムのアップデート方法

プログラムのアップデート方法は、「ファームウェアのアップデート」の項を参照してください。(141 ページ)

1-4. 初期化

[STORE] スイッチを押しながら電源を立ち上げ、“INITIALIZE ALL MEMORIES” を実行して、初期化を行います。(143 ページ)

1-5. フェーダーのキャリブレーション

フェーダーのキャリブレーションの方法は、「フェーダーキャリブレーション」の項を参照してください。(146 ページ)

1-6. カラーバーのキャリブレーション

カラーバーのキャリブレーションの方法は、「カラーバーと CH NAME LCD のキャリブレーション」の項を参照してください。(148 ページ)

1-7. CPU シートの MRAM のバックアップ検査

電源を ON にした時、LCD の画面に、“Memory Error! Current Memories were Initialized.” が表示されないことを確認します。

2. ANALOG IN / OUT 特性検査

2-1. OMNI IN 1-8 → OMNI OUT 1-8

条件 CH1-8 の INPUT (XLR) からアナログ信号を入力し、CH1-8 出力から出力される信号を計測します。
OMNI IN CH1-8 を OMNI OUT 1-8 にアサインします。

A. AIN MAIN

① 利得

入力周波数	入力レベル	規定出力レベル	許容範囲
1 kHz	+10 dBu	+4 dBu	+4 \pm 2 dBu

② 歪率

入力周波数	出力レベル	許容範囲
1 kHz	+22 dBu	0.01 % 以下

③ ノイズレベル

条件 測定する CH IN を 150 Ω でショートします。

許容範囲
-80 dBu 以下

④ 残留ノイズ (OMNI OUT 1-8)

条件 OMNI IN CH1-8 を OFF にします。

許容範囲
-88 dBu 以下

⑤ CH1-8 間のレベル差

①で測定した利得差の範囲を以下の様になることを確認します。

許容範囲
1 dB 以内

⑥ 隣接チャンネル間のクロストーク

条件 1つの奇数チャンネルの OMNI OUT のみを ON にして出力させ、それ以外の OMNI OUT は OFF にして、奇数チャンネルと左右に隣接する偶数チャンネルのノイズレベルを測定します。

測定の偶数チャンネルは入力を 150 Ω でショートします。

入力周波数	出力レベル (奇数チャンネル)	許容範囲 (偶数チャンネル)
1 kHz	+23 dBu	-57 dBu 以下

偶数チャンネル側も同様であることを確認します。

⑦ 最大出力 (OMNI OUT 1-8)

条件 内蔵オシレータのみを、OMNI OUT 1-8 にアサインします。

入力周波数	出力レベル	許容範囲	許容範囲 (歪率)
1 kHz	+24 dBu	+24±0.5 dBu	0.01 %以下

B. GAIN MAX

① 利得 (OMNI IN 1-8)

入力周波数	入力レベル	規定出力レベル	許容範囲
1 kHz	-62 dBu	+4 dBu	+4 ± 2 dBu

② 歪率 (OMNI IN 1-8)

入力周波数	出力レベル	許容範囲
1 kHz	+22 dBu	0.02 %以下

③ ノイズレベル EIN (OMNI IN 1-8)

条件 測定する CH IN を 150 Ω でショートします。

許容範囲
-62 dBu 以下

ただし、上記許容範囲に入らない場合は、測定値 - (1 kHz における利得) ≤ -128 になることを確認します。

④ レベル差 (OMNI IN 1-8)

①で測定した利得差の範囲を以下の様になることを確認します。

許容範囲
2 dB 以内

C. ファントム電源 (OMNI IN 1)

XLR の 2 ピンと 3 ピンをショートし、2-1 ピン間に 10 k Ω 負荷を接続して +48 キーを ON したときの電圧が以下のようになることを確認します。

許容範囲
DC 33.6 ~ 36.1 V

+48 キーを OFF したとき、速やかに放電を開始することを確認します。

2-2. PHONES L, R

条件 OMNI IN 1 の INPUT (XLR) から入力します。
OMNI IN 1 を STEREO にアサインします。
MONITOR SOURCE を STEREO L/R にします。
PHONES LEVEL LINK を OFF にします。

① 利得 (PHONES L, R)

入力周波数	入力レベル	規定出力レベル	許容範囲
1 kHz	0 dBu	0 dBu	0 ± 2 dBu

② 歪率 (PHONES L, R)

入力周波数	出力レベル	許容範囲
1 kHz	0 dBu	0.15 %以下

③ 残留ノイズ (PHONES L, R)

条件 STEREO を OFF にします。

PHONES レベル	許容範囲
MAX	-79 dBu 以下
MIN	-88 dBu 以下

④ PHONES L, R 間のレベル差

①で測定した利得差の範囲を以下の様になることを確認します。

許容範囲
2 dB 以内

⑤ 最大出力 (PHONES L, R)

条件 内蔵オシレータのみを、STEREO にアサインし、内蔵オシレータから -27 dB を出力します。

入力周波数	出力レベル	許容範囲	許容範囲 (歪率)
1 kHz	+3 dBu	+3±0.5 dBu	0.15 %以下

⑥ L / R 間のクロストーク

条件 PAN は L 振り切りです。

入力周波数	出力レベル	許容範囲
1 kHz	+3 dBu	-56 dBu 以下

R 側も同様であることを確認します。

2-3. TALKBACK

条件 OMNI OUT 1 で検査します。
TALKBACK を MIX1 にアサインします。
TALKBACK を ON にします。

A. GAIN MAX

① 利得

入力周波数	入力レベル	規定出力レベル	許容範囲
1 kHz	-60 dBu	+4 dBu	+4 ± 2 dBu

② 歪率

入力周波数	出力レベル	許容範囲
1 kHz	+22 dBu	0.02 %以下

③ ノイズレベル EIN

条件 TALKBACK IN を 150 Ω でショートします。

許容範囲
-64 dBu 以下

ただし、上記許容範囲に入らない場合は、測定値- (1 kHz における利得) ≤ -128 になることを確認します。

B. GAIN MIN

① 利得

入力周波数	入力レベル	規定出力レベル	許容範囲
1 kHz	-16 dBu	+4 dBu	+4 ± 2 dBu

② 歪率

入力周波数	出力レベル	許容範囲
1 kHz	+22 dBu	0.01 % 以下

③ ノイズレベル EIN

条件 TALKBACK IN を 150 Ω でショートします。

許容範囲
-80 dBu 以下

C. ファントム電源

XLR の 2 ピンと 3 ピンをショートし、2-1 ピン間に 10 k Ω 負荷を接続して +48 キーを ON したときの電圧が以下になることを確認します。

許容範囲
DC 33.6 ~ 36.1 V

+48 キーを OFF したとき、速やかに放電を開始することを確認します。

3. DIGITAL OUT 特性検査

3-1. 2TR OUT DIGITAL

条件 System Two を使用します。

OMNI IN 1 から入力します。

A. WORD CLOCK INT48 kHz

条件 WORD CLOCK INT48kHz にします。

① 利得 (2TR OUT DIGITAL)

入力周波数	入力レベル	規定出力レベル	許容範囲
1 kHz	+10 dBu	-20 dBFS	-20 ± 2 dBFS

② f 特 (2TR OUT DIGITAL)

条件 許容範囲は 1kHz を基準とします。

入力周波数	出力レベル	許容範囲
20 Hz	+10 dBu	-1.0 ~ 0.5 dB
20 kHz	+10 dBu	-1.0 ~ 0.5 dB

③ 歪率 (2TR OUT DIGITAL)

入力周波数	出力レベル	許容範囲
1 kHz	-2 dBFS	0.002 % 以下

3-2. WORD CLOCK IN の PLL 動作範囲

条件 System Two を使用します。

L ch 測定時は OMNI OUT 7 (L) で検査します。

R ch 測定時は OMNI OUT 8 (R) で検査します。

WORD CLOCK は WC IN を選択します。

OMNI IN 1 から入力します。

Dante Controller を使用します。

PC と本体 Dante PRIMARY 端子をネットワークケーブルで接続し、デバイ斯拉ベルをダブルクリックします。Device View 画面内の Device Config タブをクリックします。

A. 48 kHz +4.1667 % (50 kHz)

条件 WORD CLOCK IN の検査時は、発信器の周波数設定を 50 kHz にします。

Device Config 画面内の Sample Rate 欄を設定します。

Sample Rate : 48k

Pull-up/down : +4.1667%

① 歪率 (WORD CLOCK IN)

入力周波数	出力レベル	許容範囲
1 kHz	+22 dBu	0.02 % 以下

B. 44.1 kHz -4 % (42.336 kHz)

条件 WORD CLOCK IN 検査時は、発信器の周波数設定を 42.336 kHz にします。

Device Config 画面内の Sample Rate 欄を設定します。

Sample Rate : 44k

Pull-up/down : -4%

① 歪率 (WORD CLOCK IN)

入力周波数	出力レベル	許容範囲
1 kHz	+22 dBFS	0.02 % 以下

3-3. ジッター測定

条件 System Two を使用します。

Sec. PK を選択します。

2TR OUT DIGITAL で検査します。

A. WORD CLOCK INT

条件 WORD CLOCK は下表の値を選択します。

① ジッター

WORD CLOCK	許容範囲
INT 44.1 kHz	2 nsec 以下
INT 48 kHz	2 nsec 以下

B. WORD CLOCK EXT

条件 WORD CLOCK は WC IN を選択します。

検査時は、発信器の周波数設定を下表の値にします。

① ジッター (WORD CLOCK IN)

WORD CLOCK	許容範囲
44.1 kHz	5 nsec 以下
48 kHz	5 nsec 以下

4. フェーダー検査

条件 「フェーダー検査用シーンデータ」は、「SEISAN1.CLF」ファイルを使用します。

検査

シーン 1～シーン 4 をそれぞれリコールして、フェーダーを動作させ、以下の確認を行います。

判定基準 1

上記操作にて、 $-\infty$ +10 dB の指標停止時に振動するフェーダーが無いことを確認します。

シーン 3、4 リコール時のフェーダー移動中 (フェードタイム中) に、振動するフェーダーがないこと、かつ隣のフェーダーと比べて 0.5 秒以上遅れるフェーダーがないことを確認します。

判定基準 2

フェーダーの位置が以下であることを確認します。

- ① 全フェーダーが一番上にあるとき
全フェーダーが、10 dB の指標から 2 mm 以内の位置にあることを確認します。
- ② 全フェーダーが一番下にあるとき
全フェーダーが、 $-\infty$ の指標から 2 mm 以内の位置にあることを確認します。

5. 音出し検査

以下の項目を聴感確認します。

① ANALOG INPUT、ANALOG OUTPUT

条件 OMNI IN 1 → OMNI OUT 7 で検査します。
WORD CLOCK は下記を選択し、15 秒以上検聴して音切れが無いことを確認します。

- 1) DANTE 48 kHz
- 2) DANTE 44.1 kHz

② EFFECT 機能 (DSP6 動作確認)

条件 「音出しシーンデータ」は、「SEISAN1.CL5A」ファイルを使用します。

WORD CLOCK を INT 48 kHz にします。
DANTE 入力から音楽信号を入れ、PHONES OUT を検聴します。

DANTE 入力から音楽信号を入れるためには、Cubase を使用します。

詳細は、「DANTE 音出し検査」の項を参照してください。(155 ページ)

検査

シーン 5 (Reverb) をリコールし、信号を最低 15 秒間確認します。

判定基準 1

EFFECT 音が出ていることを確認します。

判定基準 2

ノイズが含まれていないことを確認します。

以下同様にシーン 6 からシーン 36 をリコールし検聴してください。

シーン No. と EFFECT TYPE は次のとおりです。

シーン No.	Rack No.	EFFECT TYPE
5	1	Reverb
6	1	Symphonic
7	1	HQ Pitch
8	1	Dynamic Filter
9	2	Reverb
10	2	Symphonic
11	2	Dual Pitch
12	2	Dynamic Filter
13	3	Reverb
14	3	Symphonic
15	3	HQ Pitch
16	3	Dynamic Filter
17	4	Reverb
18	4	Symphonic
19	4	Dual Pitch
20	4	Dynamic Filter
21	5	Reverb
22	5	Symphonic
23	5	HQ Pitch
24	5	Dynamic Filter
25	6	Reverb
26	6	Symphonic
27	6	Dual Pitch
28	6	Dynamic Filter
29	7	Reverb
30	7	Symphonic
31	7	HQ Pitch
32	7	Dynamic Filter
33	8	Reverb
34	8	Symphonic
35	8	Dual Pitch
36	8	Dynamic Filter

③ DANTE 入出力テスト

条件 予め、MONITOR 画面の OSCILLATOR の OUTPUT ボタンを ON にしておきます。

EFFECT 音出しテストの Cubase の再生の最後で、DANTE 入出力テスト用のシーン 38 がリコールされます。15 秒間オシレータの音を検聴し、ノイズが含まれていないことを確認します。

詳細は、「DANTE 音出し検査」の項を参照してください。(155 ページ)

6. ランプ電圧の測定

リアパネル 3ヶ所の 3ピンと 4ピン間の電圧を測定します。
LAMP DIMMER MAX、MIN 時の電圧を測定します。

	MAX	MIN
許容範囲	12.0 V±1.0 V	0.65 V±0.5 V

7. ファン動作確認

電源投入後、ディスプレイにファン動作エラー表示がでないことを確認します。

8. 電源ユニット出力電圧確認

電源投入後、リアパネルにある DC POWER INPUT 端子の1ピン (24 V) と15ピン (GND) 間の電圧を確認します。

電圧値: $+25.0 \text{ V} \pm 0.5 \text{ V}$

※もし出力電圧が上記電圧範囲に入らない場合は、電源ユニットの電圧調整用ボリューム VR601 で電圧範囲内に入るように調整します。

9. 正常起動確認

本体電源を OFF にし、PW800W を接続した後、正常に起動できることを確認します。

10. 電源 CAUTION 確認

本体に PW800W を接続し、両方の電源を ON にして次の確認を行ってください。

① 本体の電源 CAUTION 確認

本体電源のみ OFF にしたとき、ディスプレイに CAUTION 表示が出ることを確認します。

② PW800W の電源 CAUTION 確認

PW800W の電源のみ OFF にしたとき、ディスプレイに CAUTION 表示が出ることを確認します。

11. MY SLOT 電源確認

条件「試験用 MY SLOT カード」は、MY16-EX の CN102 のそれぞれのランド端子に電源電圧確認用に延長した線材を付けたものを使用します。

検査

本体のすべての MY SLOT 挿入口に試験用 MY SLOT カードを挿入し、線材の先でそれぞれの電源電圧を実測します。

端子名	+3.3D	+5D	+15A	-15A
電源電圧許容範囲	$3.3 \pm 0.3 \text{ V}$	$5.0 \pm 0.5 \text{ V}$	$15.0 \pm 0.8 \text{ V}$	$-15.0 \pm 0.8 \text{ V}$

端子名	+5A	-5A	+20A
電源電圧許容範囲	$5.0 \pm 0.3 \text{ V}$	$-5.0 \pm 0.3 \text{ V}$	$20.0 \pm 1.0 \text{ V}$

12. チャンネルネームディスプレイ、チャンネルカラーインジケータの起動確認

電源 OFF 後、時間をおかず数秒以内に再び電源を ON にした場合、チャンネルネーム ディスプレイ、チャンネルカラーインジケータが起動しないことがあります。

電源 OFF 後、4 秒後に電源 ON し、チャンネルネームディスプレイ、チャンネルカラーインジケータを含むパネルが正常に起動することを確認します。

■ 出荷設定

1. 初期化

[STORE] と [INC] スイッチを同時に押しながら電源を立ち上げ強制初期化を行います。

強制初期化完了後には、「Flash Memory Initializing Finished.」の Confirmation が表示されますので、[CLOSE] を押して終了します。

2. 操作子の設定

各操作子の設定は以下の通りにします。

MONITOR LEVEL: MIN
TALKBACK GAIN: MIN
PHONES LEVEL: MIN

■ SERVICE CHECK PROGRAM

● CL5 Test Program

- a. Use this Test Program to execute the service check for CL5.

Load the latest program shown in the following table into CL5 itself and PC before executing the service check.

For the updating procedure, refer to the “UPDATING FIRMWARE” section on page 140.

- * The test program can be downloaded from the YSISS Home Page.

• CL_Updatedata

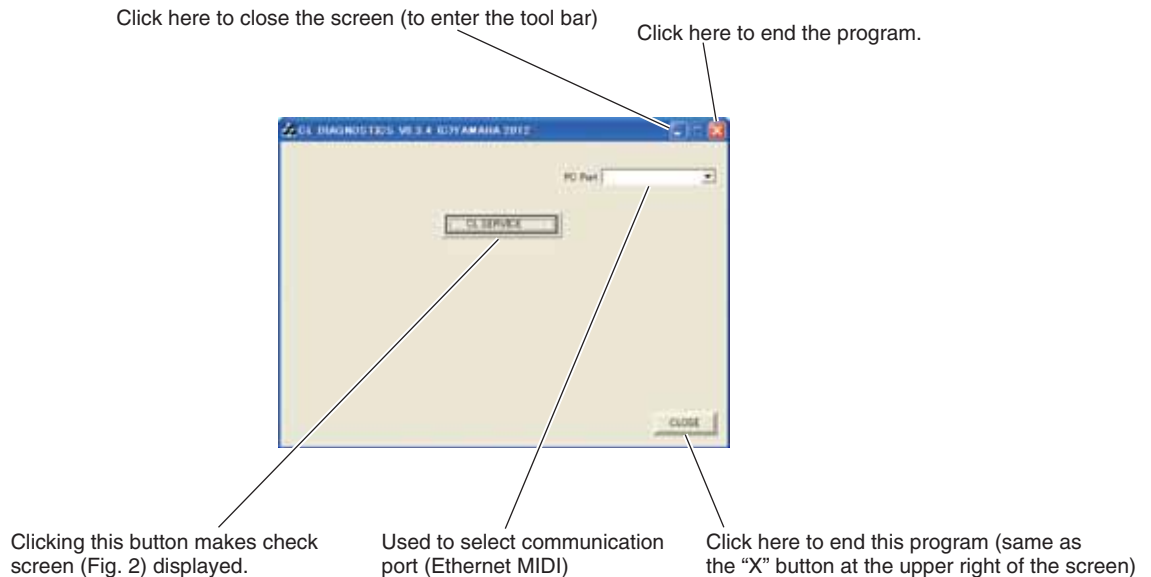
Generic term	FILE name (“?” depends on version)	Version	Writing procedure [object]
MAIN FIRMWARE	MCLP?_?.PGM	V1.xx	CPU circuit board check/General check [USB storage]
PC application for Service Check	¥TestProgram¥Service Test PC App ¥CLTest_service.exe	V1.0.0	[PC for checking]
DME-N Network Driver	¥TestProgram ¥DME-N Network Driver v1.2.2¥Setup.exe	V1.2.2	[PC for checking]

- b. Use this test program with the OS: Windows 2000/XP/7.

Use the PC application for service check.

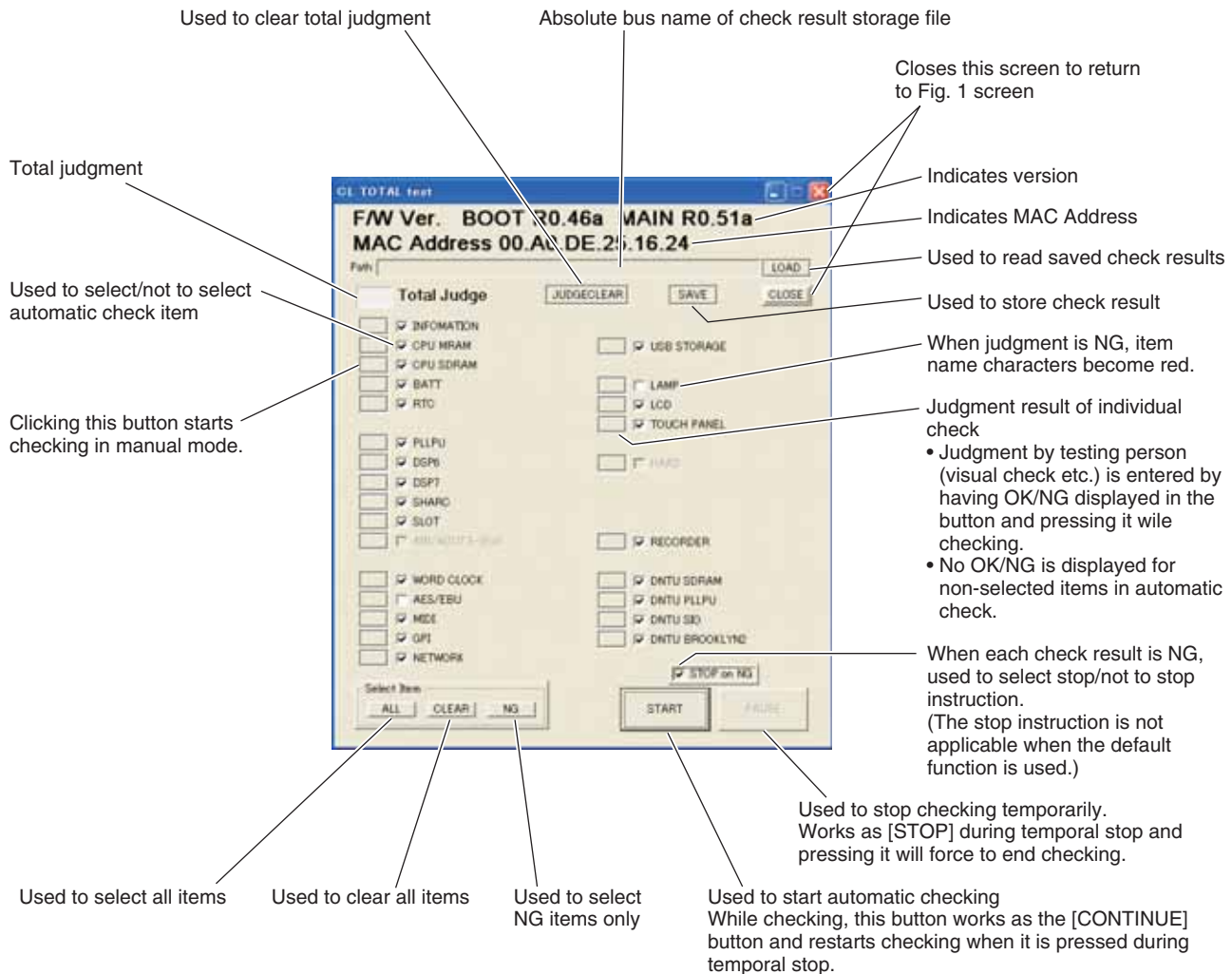
Immediately after start-up, the screen as shown in Fig. 1 appears.

Start-up screen (Fig. 1)



Click the button of the item to be checked on the start-up screen, and each corresponding screen will appear (as shown in Fig. 2)
The service inspection screen is as shown on page 111.

Example of check screen (Fig. 2)



1) Automatic mode:

When the **[START]** button at the bottom of the Fig. 2 screen is pressed, selected checking items will be executed sequentially from the upper left downward. All judgment columns become blank when checking is started. If **[STOP on NG]** is pressed, checking is stopped temporarily when judgment is NG.

Checking stops temporarily when **[PAUSE]** is pressed and stops when **[STOP]** is pressed during the temporal stop.

Checking is re-started when **[CONTINUE]** is pressed.

2) Individual mode:

If the button with OK/NG indication in Fig. 2 is pressed, an individual checking screen as shown in Fig. 3 will be displayed. Press **[START]** in each screen to execute checking.

For the checking items and checking contents, refer to “List of Check Items” on page 110.

For the “items not subject to checking” in each checking screen their characters are dimmed (grayed out).

The file storing the checking results should be named as “Storage file name.csv”. (Only total check results will be saved.)

Example of individual check screen (when checking in automatic mode) (Fig. 3)

Indicated when the total judgment of all individual items is completed.

Check item

Judgment result of each item
NO usually appears when there is no communication response.
-- Item of damage, etc
** Item requiring no judgment

Operation instructions are displayed in red and processing status in black.

Used to start checking. During the checking, this button becomes [CONTINUE] button and restarts checking when pressed during temporal stop.

Used to close this screen and return to Fig. 2 screen.

Used to stop checking temporarily. Works as [STOP] during temporal stop and pressing it will force to end checking.

Communication contents are displayed while checking all items.

- Scrolling is possible.
- Writing into text file is possible by using the copy & paste function.

When check result is NG, details are displayed. (Output from target CPU)
When there is TxData, command being transmitted is also displayed.
When there is OkData, OK: is also displayed.

When checking visually, this box is displayed.

The OK button and Enter key are linked.

When there is a check mark, OK and data being transmitted are displayed for debugging this PC program. (No check mark when program is started.)

AutoNext function

- When checking is started in the automatic mode, the AutoNext function is turned on and checking proceeds automatically.
- When checking is started in the individual mode, the AutoNext function is turned off. Checking is started using the [START] button.
- To recheck the NG item in the automatic mode, press the [PAUSE] button, turn off the AutoNext function and press the [START] button.

While each individual checking is executed, the screen as shown in Fig.3 above is displayed.

The contents communicated with the CL itself being checked is displayed on the right side of the screen and the result can be stored as a file. (Max. 30 KB)

Use "Store file name.txt" for the file name.

c. Common items for checking

- 1) When there is no communication response in individual judgment of each test, "Communication error" appears and the individual judgment is NG.
- 2) With some items the number of NGs for one check item should be up to as many as 20.

• End of checking

With the application program, the start-up screen appears when checking is over.

Turn off the power of the actual unit or tester.

Remove the actual unit.

* To continue checking, replace the actual unit, turn on the power and execute again from the start-up screen.

End the PC application program.

● List of check items

Item	Check name	Outline of check item	Judgment
1-0	INFORMATION	Check the version and other items of the firmware.	Auto
1-1	CPU MRAM	Check the data bus and address bus of CPU MRAM.	Auto
1-2	CPU SDRAM	Check the data bus and address bus of CPU SDRAM.	Auto
1-3	BATT	Check the voltage of the backup battery.	Auto
1-4	RTC	Obtain and set Real Time Clock.	Auto
1-5	PLLPU	Check PLLPU register by reading/writing it.	Auto
1-6	DSP6	Check each DSP6 register by reading/writing it. Check SIO for connection.	Auto
1-7	DSP7	Check each DSP7 register by reading/writing it. Check SIO for connection.	Auto
1-8	SHARC	Check communication/FLAG line between CPU and SHARC. Check SHARC SDRAM	Auto
1-9	SLOT	Check each signal of SLOT and power voltage.	Auto
1-10	AIN/AOUT	Unused	—
1-11	WORD CLOCK	Check PLL LOCK by counting Fs of WCLK OUT at WCLK IN.	Semi-auto
1-12	AES/EBU OUT	Check through sound by connecting with SYSTEM2/speaker.	Visual check
1-13	MIDI	Check transmission/reception by loopbacking MIDI IN/OUT.	Auto
1-14	GPI	Connect IN/OUT with jig.	Auto
1-15	NETWORK	Check by communicating with PC.	Auto *1
1-16	USB STORAGE	Check control line by reading/writing USB MEMORY.	Auto
1-17	LAMP	Check by actually turning the lamp on and off.	Visual check
1-18	LCD	Check LCD indication.	Semi-auto
1-19	TOUCH PANEL	Check touch point scale/luminance by touching LCD.	Semi-auto
1-20	HAAD	Unused	—
1-21	RECORDER	Check RECORDER IC register by reading/writing it. Check SIO connection.	Auto
1-22	DNTU SDRAM	Check Data Bus and Address Bus of CPU SDRAM on DNTU.	Auto
1-23	DNTU PLLPU	Check PLLPU register on DNTU by reading/writing it.	Auto
1-24	DNTU SIO	Check UART and SPI with Brooklyn2.	Auto
1-25	DNTU Brooklyn2	Check Brooklyn2 and Primary/Secondary ports.	Auto
2-1	Ch Name LCD indication	Check Ch Name LCD and each Ch name indication.	Visual check *2
2-2	LED all lighting	Check that all LEDs for lighting altogether and one by one.	Visual check *2
2-3	LED lighting by colors	Check lighting of red, orange, yellow and green LEDs color by color.	Visual check *2
2-4	Switch input	Check input from switches.	Visual check *2
2-5	Encoder input	Check input from encoder.	Visual check *2
2-6	Fader movement time measurement	Check movement of motor fader (Calibration in advance required)	Auto

*1 Judgment is OK if communication with the test program is possible.

*2 Check each panel visually if necessary as checking runs automatically.

1. Service Check

This section describes the contents of the test program for CL service check and shows examples of executing screen.

On the examples of executing screen, only the item being checked is shown. (There are gray-out items on the actual display.)

If jigs required for some checking items are not available, clear the check box for the subject checking item before executing check.

- 1) Object to be checked
CL itself
- 2) PC
DOS/V PC: 1 unit (with P-200MHz or more, Windows 2000, Windows XP, Windows 7, Ethernet port)
* Download the program to be used from the YSISS Home Page.
- 3) Test Jig
MY16-EX check jig : 3 pcs.
Rio3224-D : 1 pc.
(Not necessary if not executing the SLOT check.)
D-SUB DA-15 MALE JIGU by return : 1 pc.
- 4) Cables
XLR (AES/EBU) MALE ↔ FEMALE : 2 pc.
BNC (Word Clock) : 1 pc.
LAN (UTP CAT.5 (e)) : 3 pc.
(For connectors of 2 LAN cables of the 3 above, use RJ-45 connectors which are applicable to EtherCom CAT5e made by Neutrik Co.,)
MIDI : 1 pc.
- 5) Others
USB memory : 1 pc.
Tester (to measure the voltage of LAMP) : 1 pc.
- 6) Connection
Refer to the test connection diagram on page 112.
- 7) PC settings
 - Setting Ethernet
(For Win XP, set in the order of Control panel → Network connection → Local area connection → Property → TCP/IP property.)
Check IP Address and Subnet Mask in the Network setting of the CL SETUP screen. Set IP Address that is not identical with CL IP Address in the same subnet. Set Subnet Mask and Default Gate Way that are identical with those of CL.
 - DME-IN Network Driver setting
(Control Panel → DME-N Network Driver)
Device No. 1
Device Name (optional)

Device	ID 1
TCP-KEEPALIVE	on

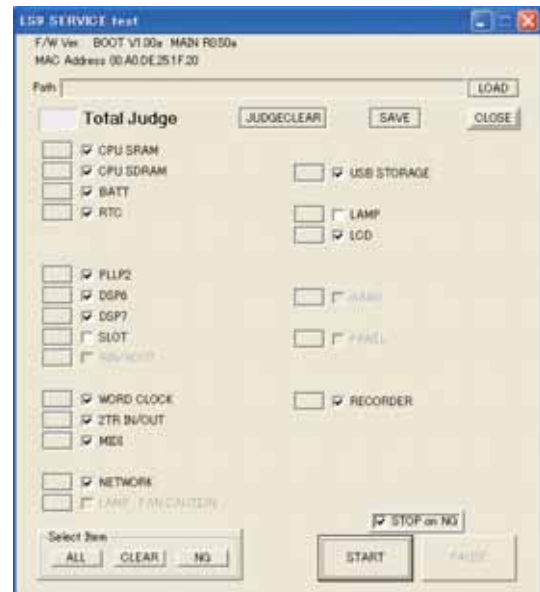
For IP Address and Protect No., check IP Address and MAC Address in the SETUP screen of CL and input them.

• How to start checking

- 1) How to start CL
While pressing USER DEFINED KEYS 1, 2 and 3 of CL, turn on the power and enter the test program from the PC application.
* When checking the FADER, execute calibration in advance according to the “FADER CALIBRATION” procedure on page 145 until there is no fader which is judged as NG.
- 2) How to start PC application
Start CLTest_service.exe through Windows, and the start-up screen as shown below will appear.

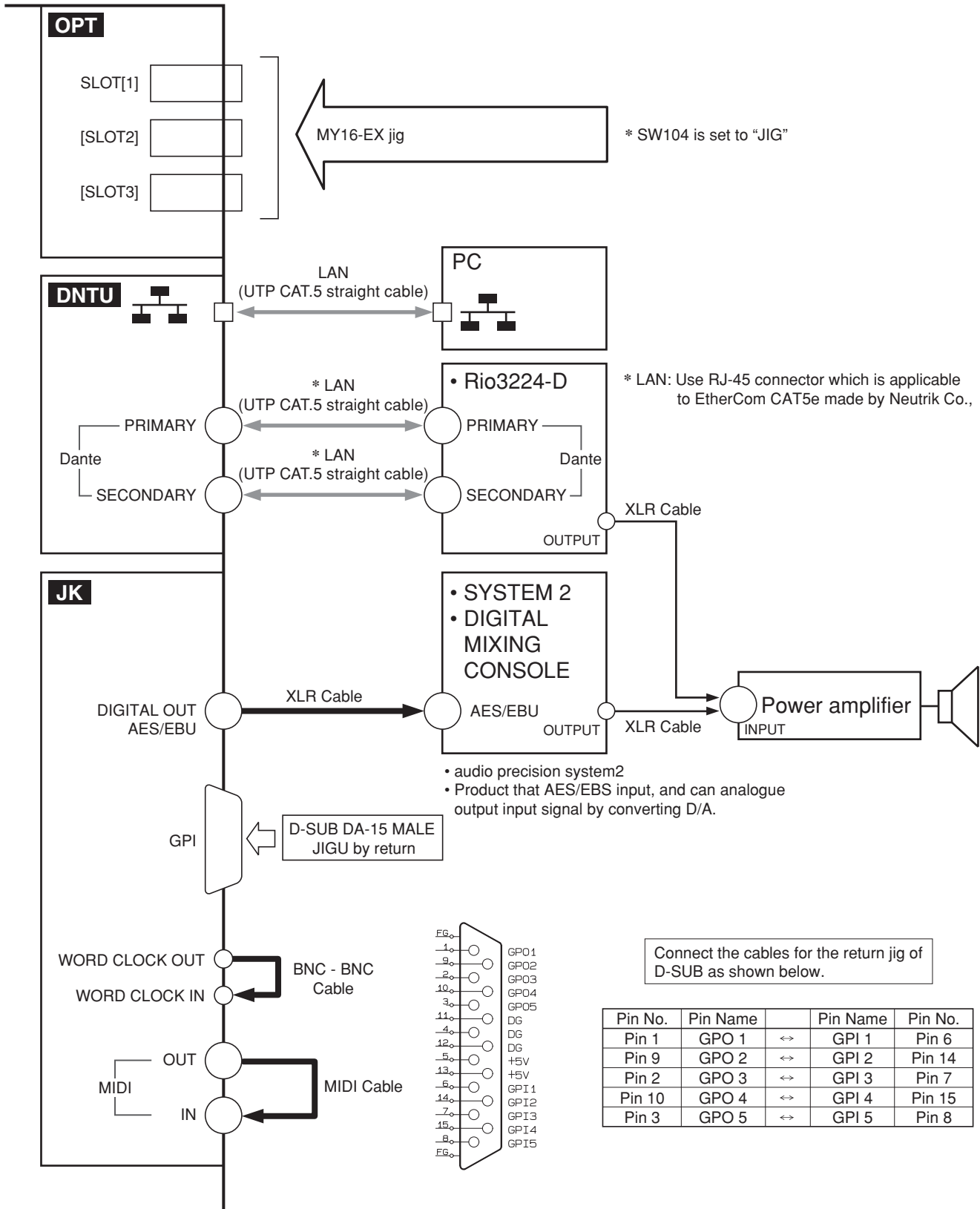


Click the [CL SERVICE] button on the start-up screen, and the general check screen (CL SERVICE test window) will appear.



• Connection diagram for checking

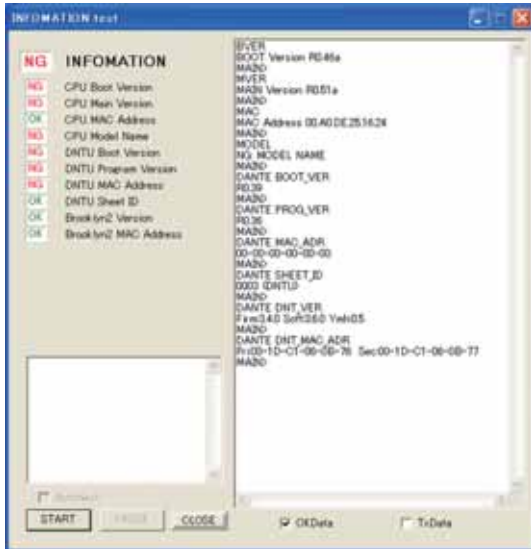
CL5



1-0. INFORMATION

Contents: Checks such items as if the version of the firmware is correct.

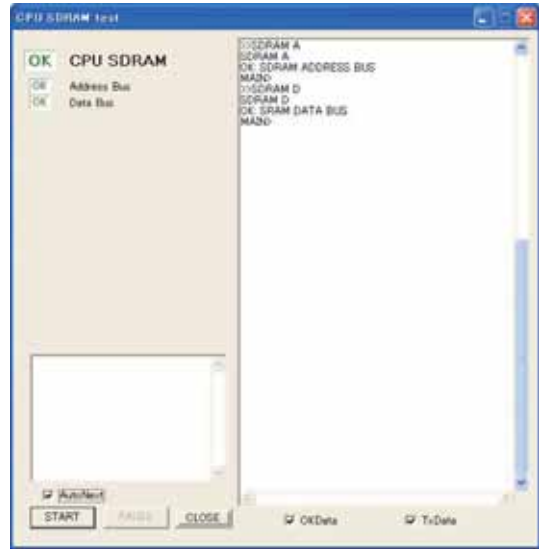
Example of executing screen



1-2. CPU SDRAM test

Contents: Checks the voltage measuring circuit of the backup battery and judges automatically.

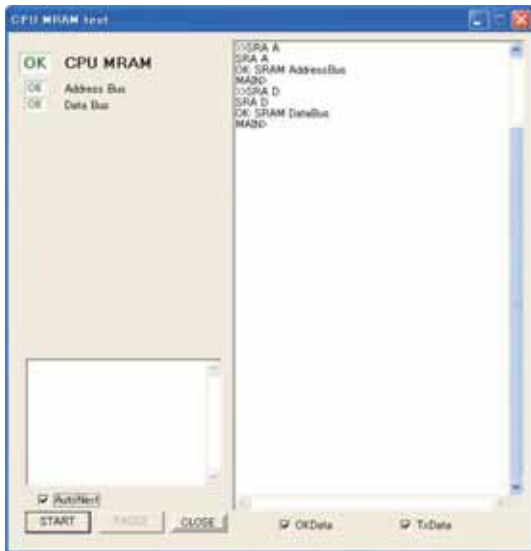
Example of executing screen



1-1. CPU MRAM test

Contents: Checks the address data bus line and data bus line of MRAM on the CPU circuit board.

Example of executing screen



Display in case the check result is NG
 NG: MRAM A[x](0xxxxxxxx) W:xxxxxxx-R:xxxxxxx — When address bus is NG
 Address bus number which is judged as NG — write data read data
 CPU Address
 NG: MRAM D[x] W:xxxxxxxx-R:xxxxxxx — When data bus is NG
 Data bus number which is judged as NG — write data read data

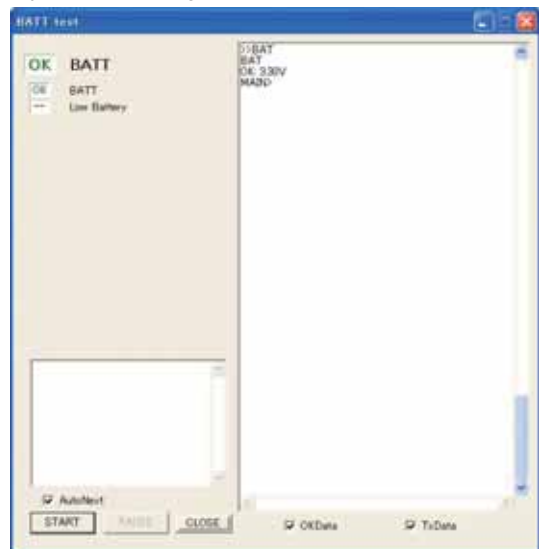
Display in case the check result is NG

NG SDRAM ADDRESS BUS Ax — When address bus is NG
 Address bus number which is judged as NG
 NG SDRAM DATA BUS Dx — When data bus is NG
 Data bus number which is judged as NG

1-3. BATT test

Contents: Checks the voltage measuring circuit of the backup battery and judges automatically.

Example of executing screen



The results are shown as below.

Voltage	Indication in the right window	Remarks
Less than 0.5 V	NG BATT NONE	No battery set
0.5 V to less than 2.8 V	NG x.xxV BATT. Low	Voltage is lower than specified value
2.8 V to less than 3.5 V	OK x.xxV	
3.5 V or more	NG x.xxV BATT. High	Voltage is higher than specified value

1-4. RTC test

Contents: Obtains and sets Real Time Clock.

Example of executing screen

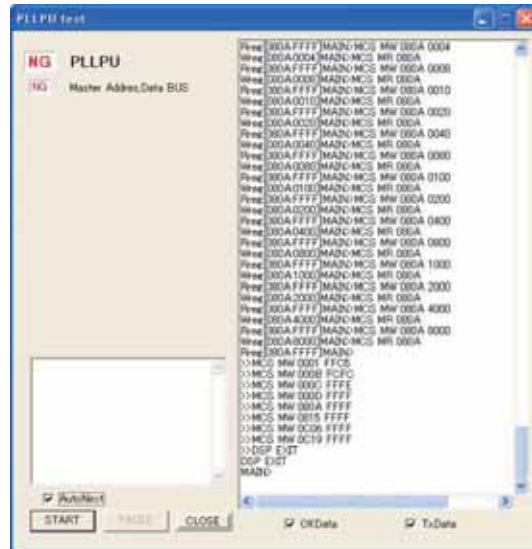


The automatic check (AUTO) is executed. First, sets the time preset in PC, waits for 1 seconds and judges OK if the difference with the obtained time is within 1 to 3 seconds. If it is not possible to set or obtain the time, or the time difference is below 1 second or more than 3 seconds, judgment is NG.

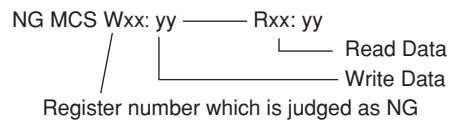
1-5. PLLPU test

Contents: Checks the condition of the address bus line (A0.... A4) and data bus line (D0....D15) by writing/reading the register of PLLPU.

Example of executing screen



Display in case the check result is NG



1-6. DSP6 test

1-7. DSP7 test

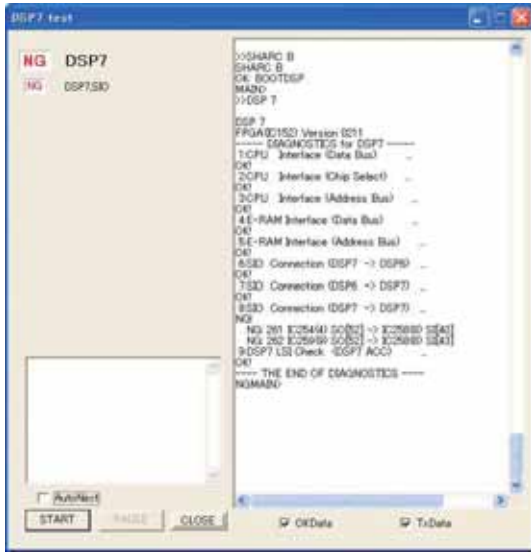
Contents: Checks the condition of the address bus line and data bus line by writing/reading each register of DSP6/DSP7.

Compares and checks DSP6 and DSP7 by writing / reading to DRAM and SDRAM of each DSP6 and DSP7 through registers.

Checks the SIO connection between DSPs (including SHARC) by transmitting and receiving signals.

Example of executing screen





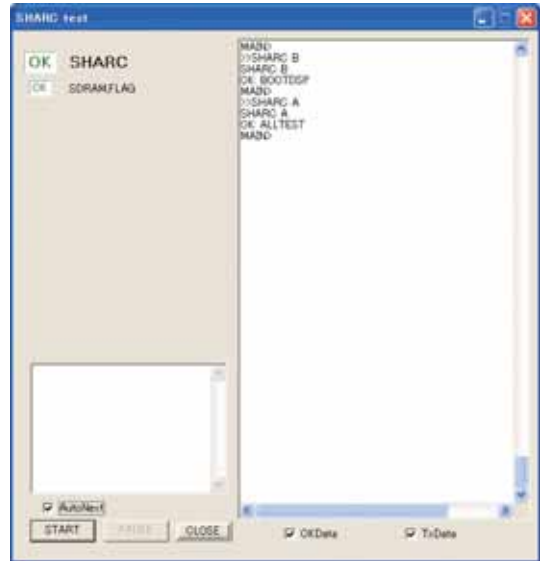
1-8. SHARC Test

Contents: Checks the communication between CPU and SHARC.

Checks SHARC SDRAM (Address Bus, Data Bus)

Checks the FLAG line between CPU and SHARC.

Example of executing screen



DSP6 test items and display provided during execution (in the right window)

- 1: CPU Interface (Busy) OK
- 2: CPU Interface (Data Bus) OK
- 3: CPU Interface (Chip Select, TXB) OK
- 4: CPU Interface (Address Bus) OK
- 5: CPU Interface (BUS W/R Reg.) OK
- 6: DRAM Interface (Data Bus) OK
- 7: DRAM Interface (Address Bus) OK
- 8: DRAM Interface (Address Bus & MPR) OK
- 9: SIO Connection...OK DSP6 → DSP6 SIO test
- A: PIO Connection...OK DSP6 → DSP6 PIO test

DSP7 test items and display provided during execution (in the right window)

- 1: CPU Interface (Data Bus) OK
- 2: CPU Interface (Chip Select) OK
- 3: CPU Interface (Address Bus) OK
- 4: E-RAM Interface (Data Bus) OK
- 5: E-RAM Interface (Address Bus) OK
- 6: SIO Connection (DSP7 DSP6) OK
- 7: SIO Connection (DSP6 DSP7) OK
- 8: SIO Connection (DSP7 DSP7) OK
- 9: DSP7 LSI Check (DSP7 ACC) OK

The results, when judged as NG, are shown as below (for both DSP6 and DSP7).

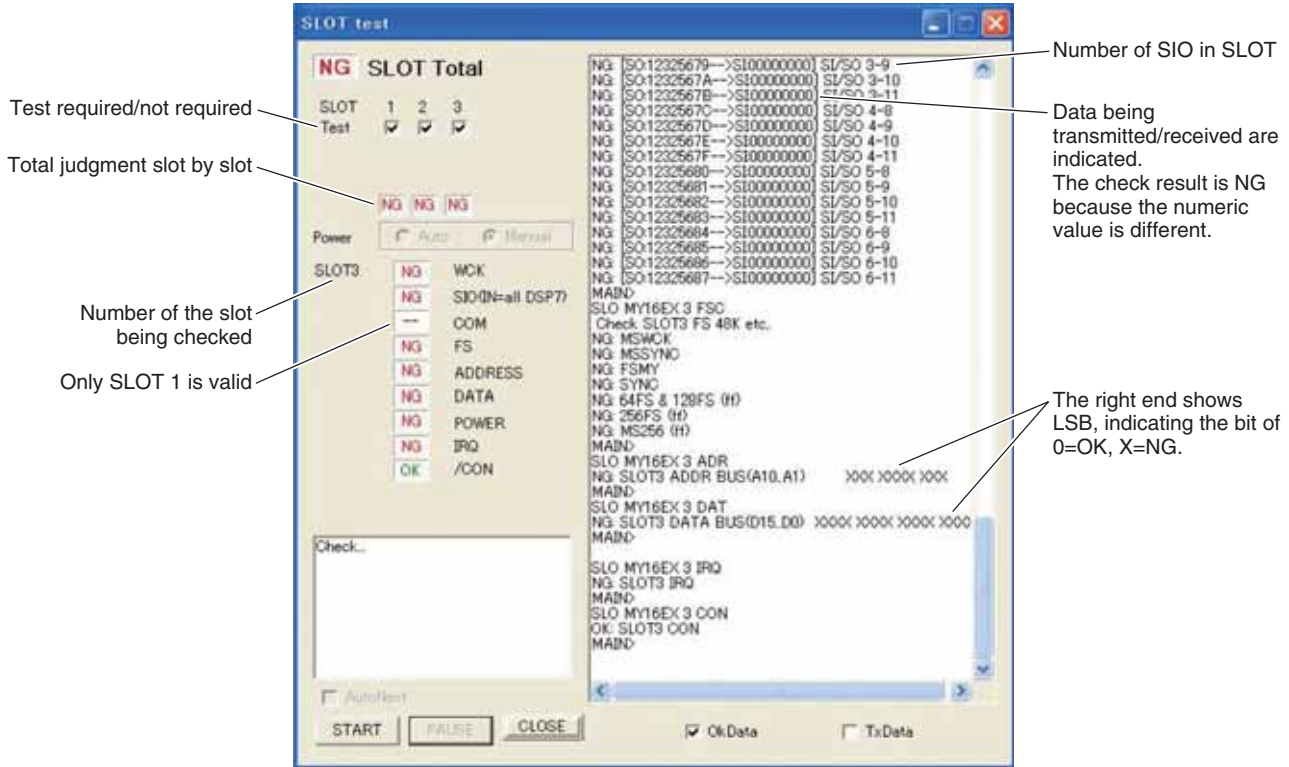
- 1) CPU Interface/DRAM, E-RAM Interface
 NG: ICxxx (1) 0000 0000 XXXX 0000 0000 0000 X00X
 | \ MSB LSB
 IC number DSP number x = Error bit

- 2) SIO Connection/DSP7 → DSP6...
 NG: 1 ICxxx (1) [SOxx] → ICxxx (1) [Slxx]

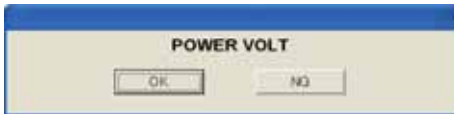
1-9. SLOT Test

Contents: Checks the power voltage supplied to each interface and SLOT of MY SLOT.
3SLOT check

Example of executing screen



Judgment box when POWER = MANUAL is used.



Checking SLOT power voltage

Take measurement at each terminal of MY16-EX check jig using a tester in the Manual mode for judgment.(For measurement, connect a cable to the connector CN102 of EX.)
The COM test is applicable to SLOT1 only.

1-10. AIN/AOUT Test

This testing function is unused.

1-11. WORD CLOCK Test

Contents: Checks WORD CLOCK OUT → IN automatically by counting it at PLLPU.
(Fs=44.1/48 kHz) Checks PLL LOCK by reading the UNLOCK signal when the clock has been stabilized after the Fs change (after about 200 ms).

Example of executing screen



Various Fs (frequencies) for the PLL LOCK check are generated in Internal Clock of FPGA.

Fs = 44.1 kHz, 48 kHz

During the UNLOCK check, a message will appear indicating to disconnect the WORD CLOCK cable as shown below. Then disconnect the BNC cable.



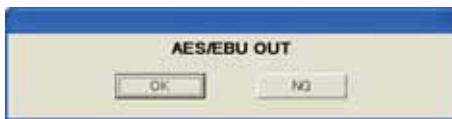
1-12. AES/EBU (OUT) test

Contents: Checks by the sound with the speaker connected.

Example of executing screen



Check if 1 kHz sine wave is heard from the speaker. If it is heard, input OK and if not, input NG using the dialog box.



1-13. MIDI test

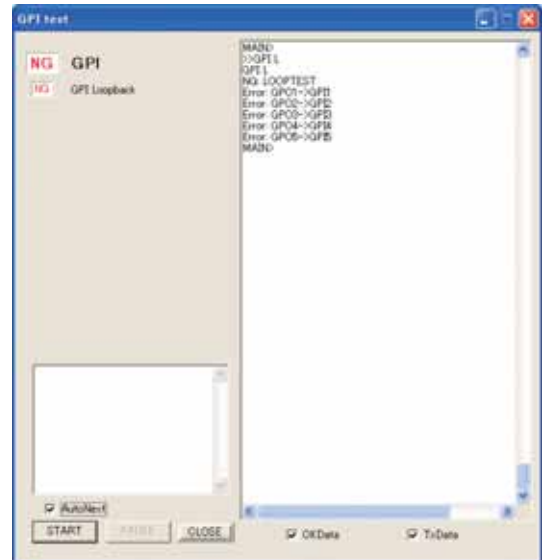
Contents: Checks if the data output to the MIDI terminal and the loopback data received are the same.

Example of executing screen



1-14. GPI Test

Contents: Checks with OUT and IN connected with a jig.



1-15. NETWORK Test

Contents: Judges as OK if communication with the PC is possible.

Example of executing screen



1-16. USB STORAGE test

Contents: Checks if a USB memory (USB storage) connected to the USB port is recognized.

Example of executing screen



If a popup “USB OVER CURRENT” appears when the power is turned on with the USB inserted during the normal operation, replace the USB circuit board. (This occurs due to variation of measurement IC. As we plan to upgrade the version in which it will be made re-operable even if OVER CURRENT occurs, keep the replaced circuit board for future use.)

1-17. LAMP test

Contents: Checks the LAMP visually for lighting.

Example of executing screen



When the dialog box appears as shown below, confirm that the LAMP is lighted and then select OK.



When the dialog box appears as shown below, confirm that the LAMP is turned off and then select OK.



1-18. LCD Test

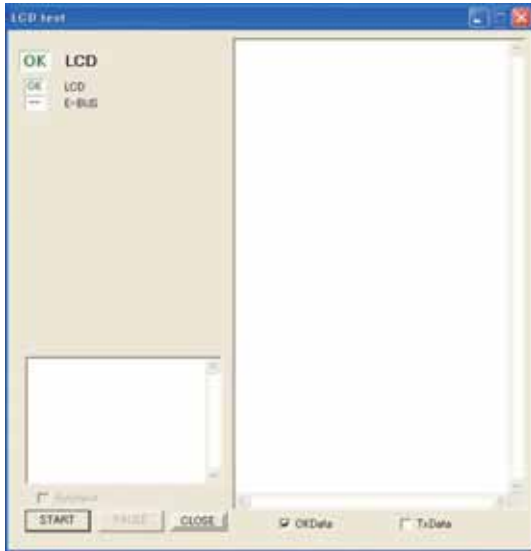
Contents: LCD display test

Among patterns of the LCD screen display, the pattern 1) should be repeated at 3-second intervals and 2) to 9) patterns at 5-second intervals. Check this visually.

While the touch panel is pressed, the current screen is kept as it is.

After checking, select the result as **[OK]** or **[NG]**, using the dialog box of the test program.

Example of executing screen



Input the check result using the dialog box as shown below.



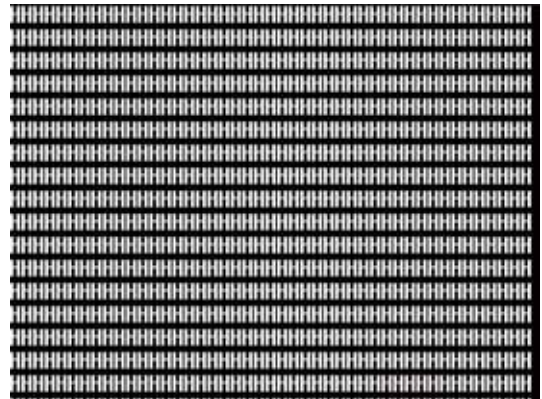
1) Model name display

Checks if the displayed model name is correct.



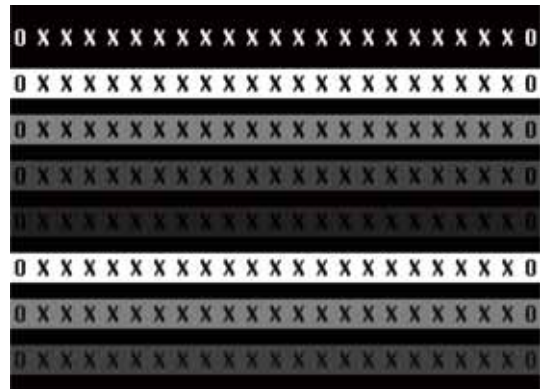
2) H character display

Check for distortion in vertical and horizontal directions and with the frame (whether or not "H"s are clearly seen in it).



3) Color bleeding and unstable display

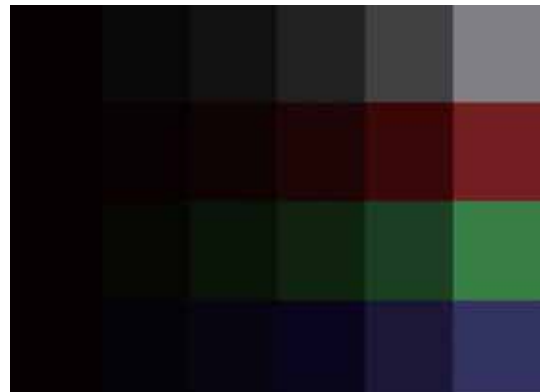
As "O"s appear at both sides and "X"s in-between, check that characters are stable, "O"s are in place and the color is free from bleeding. The characters and background are displayed in white, black and gray with slight variation.



4) Color box

The color changes in gradation from the right to left growing into black.

Check that the colors (5 x 4) other than black are displayed in gradation properly.



- 5) – 9) Have the entire screen covered in white, red, green blue and black each time (the example below shows the screen in green) and check that there is no dot that is black or in any other color.



LCD display



With the finished product, perform the following check separately from this check. After initialization, turn on the power by pressing the [STORE] key, select [TOUCH SCREEN CALIBRATION] from MENU, and press 4 corners of the square sequentially. As a cross cursor appears, check that its position is the same as the pressed position.

This check should be performed while sitting. If performed while standing, the cursor will look to appear at slightly higher position.

1-19. TOUCH PANEL Test

Contents: Checks the input of the touch panel.

As the LCD is touched, the touch point scale appears at the top and left of the LCD.

Also, at every touch of the LCD, the LCD luminance changes between low and high.

After checking, select [OK] or [NG] as the check result using the dialog box of the test program.

Example of executing screen



1-20. HAAD Test

This function is unused.

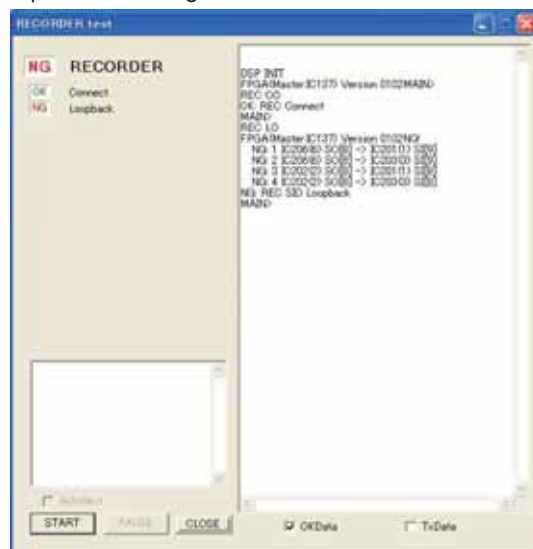
1-21. RECORDER Test

Contents: Checks the condition of the DataBUS and AddressBUS by writing/reading the register of the RECORDER IC (MP3 Decoder/Encoder).

Checks the SIO connection with DSP7 by transmitting and receiving signals.

Also, checks the CPU connection between DSP7 and SH7724 by transmitting and receiving signals.

Example of executing screen



Display in case the check result is NG

- 1) CPU Interface (Data Bus) ...

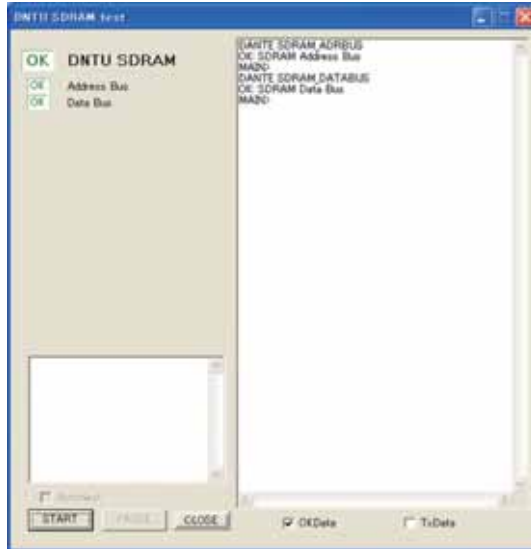
NG: IC402 0000 XXXX 0000 0000 0000 X00X X = Error bit
MSB LSB

- 2) SIO Connection (DSP7 → RECORDER)
 NG: IC206 [SO08] → IC402 [BDR0]
 SIO Connection (RECORDER → DSP7) ...
 NG: IC402 [BDX0] → IC201 [SI09]
 NG: IC402 [BDX0] → IC203 [SI09]

1-22. DNTU SDRAM Test

Contents: Checks the condition of the address bus line and the data bus line by writing/reading CPU SDRAM on the DNTU circuit board.

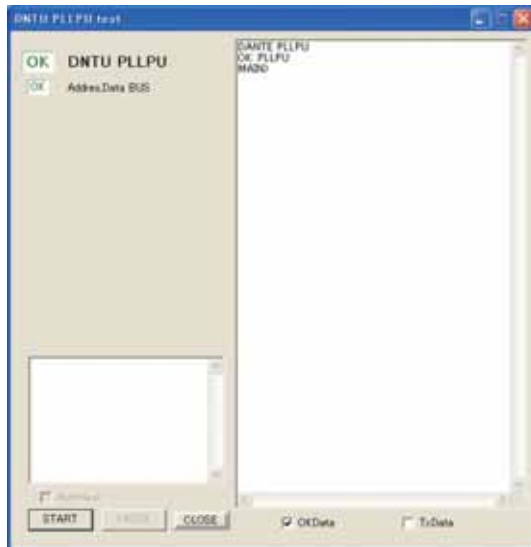
Example of executing screen



1-23. DNTU PLLPU Test

Contents: Checks the condition of the address bus line (A0...A4) and data bus line (D0...D15) by writing/reading the registers (00, 0f, 10, 16) of PLLPU.

Example of executing screen



1-24. DNTU SIO Test

Contents: Checks the connection between DSP7 and DANTE by transmitting and receiving signals.

Checks the condition of DNTU circuit board and Brooklyn2 by executing UART and SPI communication between them.

Checks visually each of Primary and Secondary LEDs for lighting (flashing).

Example of executing screen



1-25. DNTU Brooklyn2 Test

Contents: Checks the condition of Brooklyn2 by performing the audio signal and Ethernet checks.

Example of executing screen



2. Tests not requiring PC application

2-0. CN NAME LCD Display Test

After starting, at the same time as the check mode is activated, the back light of all Mini LCDs lights up and the check pattern appears.

As the check pattern changes at every pressing of any switch, check visually that there is nothing abnormal.

The table below shows the contents to be checked for each check pattern.

All dot lighting	All dots should be turned on.
Frame lighting	Outermost dots should light in the frame shape.
All dots turned off	All dots should be turned off.
CH number display	Numbers should be displayed in order from the left.

Variation in the NAME LCD test is acceptable. Variation means that all dots turn on and off properly although there is variation in the color depth. On the other hand, dots that do not change when turned on and off are called black dots/white dots and unacceptable. Also, check for reversed contrast as described below during the normal operation check or sound output check.

While viewing the NAME DISPLAY at the height barely visible from the front pad, adjust the contrast (close to the maximum) so that the display looks deep black. If it doesn't become deep black in that state but the NAME DISPLAY viewed at the height barely visible from the opposite (rear) side looks deep black, it is judged as NG because the angle of visibility is reversed.

2-1. All LEDs Lighting Test

Press any 3 switches simultaneously in the CH NAME LCD display check mode, and the All LEDs Lighting Test mode will be activated.

Confirm visually that all LEDs on the panel are turned on.

2-2. Respective Color LEDs Lighting Test

Press any 3 switches simultaneously in the All LEDs Lighting Test mode, and the Respective Color LEDs Lighting Test mode will be activated.

Every time any one switch is pressed, the lighting LEDs change in the order of red, orange, yellow and green.

Check visually that there is no LED lit in any different color.

2-3. Switch Input Test

Press any 3 switches simultaneously in the Respective Color LEDs Lighting Test mode, and the Switch Input Test mode will be activated.

Have the LEDs corresponding to each switch lit in advance, press and release the switch, and the corresponding LEDs should turn off.

In the same way, check all the switches.

* Do not press 2 or more switches at the same time.

Confirm visually if all the LEDs which were lit in advance have been turned off.

For the switch without LED, have the nearby LEDs lit correspondingly.

SELECTED CHANNEL section	Made to correspond to Centaralogic CH METER
SEND 1,3,....,13,15	-60 of CH1 to 8
SEND 2,4,....,14,16	-30 of CH1 to 8
GAIN	-18 of CH1
PAN	-18 of CH2
HPF	-12 of CH3
DYNAMICS 1	-6 of CH1
DYNAMICS 2	-6 of CH2
EQ-Q H,HM,LM,L	-18 of CH4, 5, 6, 7
EQ-Freq H,HM,LM,L	-12 of CH4, 5, 6, 7
EQ-GAIN H,HM,LM,L	-6 of CH4, 5, 6, 7
INC	-6 of CH8
DEC	-18 of CH3
STORE	-12 of CH8
RECALL	-18 of CH8

There may be cases where DANTE is reset and switches fail to follow (delayed in response).

This symptom is repeated every ten some seconds depending on variation in the DANTE module. To eliminate such symptom, enter the DANTE SETUP mode from the SETUP screen in the normal mode, select REDUNDANT for SECONDARY PORT, turn on the power again and enter the DIAG mode. Such problem does not occur in the normal operation.

SCENE MEMORY section	Made to correspond to Centaralogic CH METER
INC	-6 of CH8
DEC	-18 of CH3
STORE	-12 of CH8
RECALL	-18 of CH8

USER DEFINED KNOBS section	Made to correspond to CH METER of STEREO A
USER DEFINED KNOBS 1-4	-6,-12,-18,-30

2-4. Encoder Input Test

Press any 3 switches simultaneously in the Switch Input Test mode, and the Encoder Input Test mode will be activated.

Have the LEDs corresponding to each encoder lit in advance, turn each encoder clockwise and counterclockwise one by one, and the corresponding LED should turn off.

In the same way, check all the encoders.

Confirm visually that all LEDs which were lit in advance have been turned off.

For the encoder without LED, have the nearby LEDs lit correspondingly.

* The LEDs made to correspond to the encoder in the SELECTED CHANNEL section are the same as those in Switch Input Test.

* The LEDs made to correspond to the encoder in the USER DEFINED KNOBS section are the same as those in Switch Input Test.

MONITOR LEVEL	-60 of STEREO A CH METER
---------------	--------------------------

2-5. Fader Travel Time Measurement Test

Before this test, check to make sure that “FADER CALIBRATION” on page 145 has been executed.

Press any 3 switches simultaneously in the Encoder Input Test mode, and the Fader Travel Time Measurement Test mode will be activated.

First, repeat reciprocal movement of all faders by the specified number of times before taking measurement.

The check results are indicated with SEL/ON LEDs arranged on each fader.

If ascending is NG, the SEL-LED turns on and if descending is NG, the ON-LED turns on.

- Check to make sure that SEL/ON LEDs arranged on each fader are all turned off.

It is possible to re-check by pressing whichever one switch.

2-6. All LEDs Lighting Test

Press any 3 switches simultaneously in the CH NAME LCD display check mode, and the All LEDs Lighting Test mode will be activated.

Confirm visually that all LEDs on the panel are turned on.

■ サービス検査プログラム

● CL5 テストプログラム

a. 本テストプログラムは CL5 の「サービス検査」に使用します。

検査は CL5 本体と PC に以下の表にある最新プログラムをロードしてから行ってください。

アップデートの方法は、141 ページの「ファームウェアのアップデート」の項を参照してください。

※ テストプログラムは、YSSISS ホームページよりダウンロードしてください。

• CL_Update

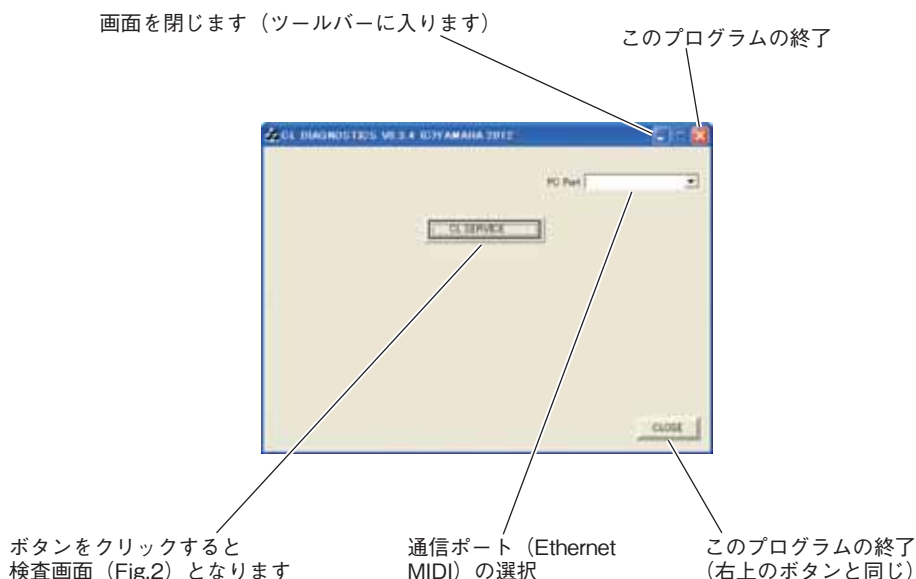
構成名	FILE 名 (? 部分はバージョン依存)	バージョン	書き込み行程 [対象]
MAIN FIRMWARE	MCLP?_?.PGM	V1.xx	CPU シート検査 / 総合検査 [USB ストレージ]
サービス検査用 PC アプリ	¥TestProgram¥Service Test PC App ¥CLTest_service.exe	V1.0.0	[検査用 PC]
DME-N Network Driver	¥TestProgram ¥DME-N Network Driver v1.2.2¥Setup.exe	V1.2.2	[検査用 PC]

b. 本テストプログラムは OS: Windows 2000/XP/7 にて使用します。

サービス検査用 PC アプリを利用します。

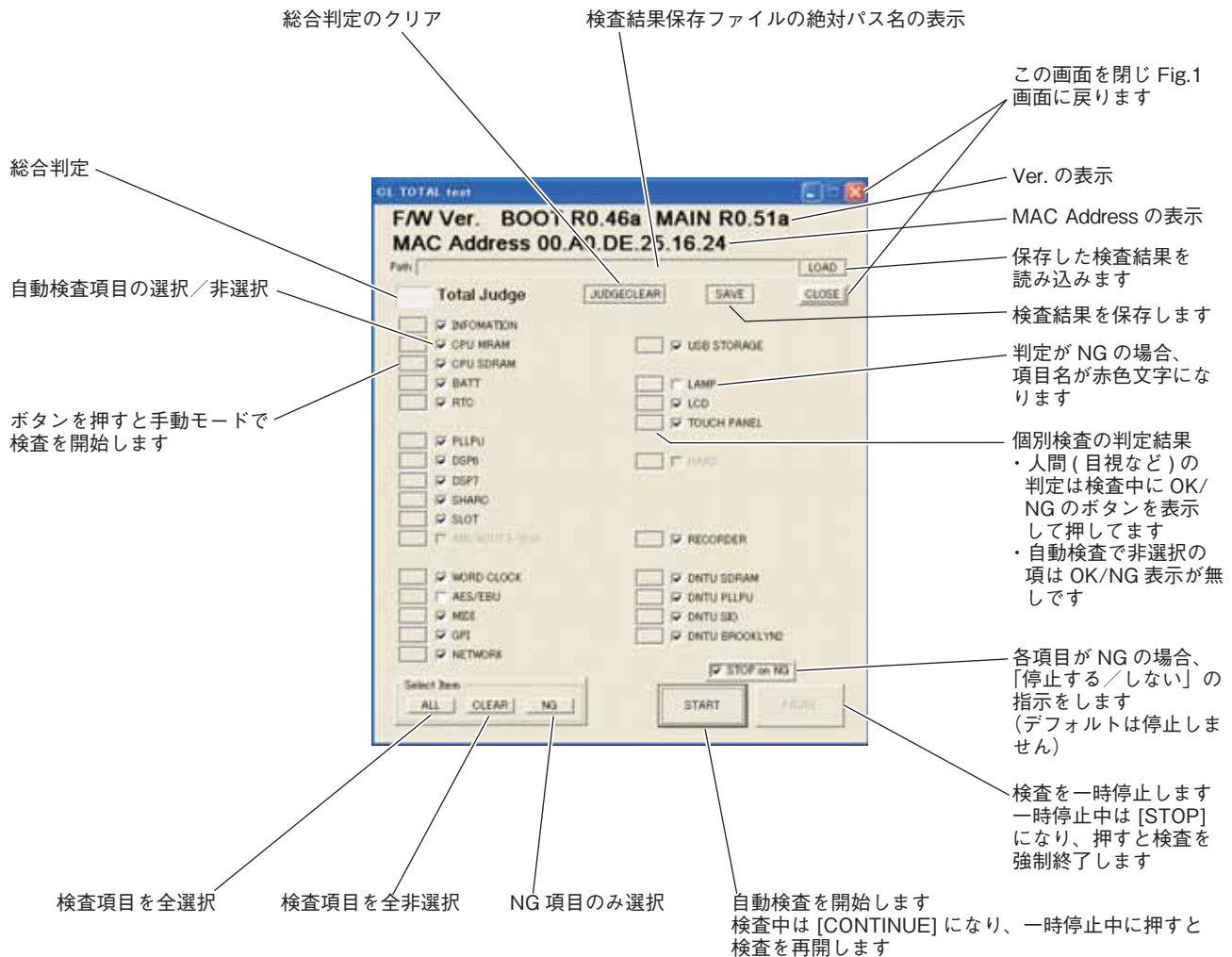
起動直後は Fig. 1 の画面となります。

起動画面 (Fig. 1)



起動画面から各検査対象のボタンをクリックすると各検査対象に応じた (Fig.2) のような画面が表示されます。サービス検査の画面は、127 ページの画面になります。

検査画面例 (Fig. 2)



1) 自動モード

Fig.2 画面下の [START] ボタンを押すと選択されている検査項目を左上から下へ順番に連続実行します。検査開始時に全ての判定欄はクリアされます。

「STOP on NG」にチェックが有る場合 NG 判定で一時停止します。

[PAUSE] で一時停止、一時停止中に [STOP] で中止、[CONTINUE] で検査続行します。

2) 個別モード

Fig.2 で OK/NG が表示されるボタンを押すと Fig3 のような個別テスト画面が表示され、各画面で [START] を押し検査を実行します。

全項目の検査内容は、126 ページの「検査項目一覧」を参照してください。

各検査の画面で「検査該当無しの項目」は文字が消えます (グレーアウト)。

検査結果の保存ファイルは、「保存ファイル名.csv」とします。(総合検査の結果のみ保存)

個別検査画面例（自動判定の場合）（Fig.3）

個別の総合判定全項目終了時に表示します

検査項目

項目毎の判定結果 NO は通信応答無しを示します

-- は被害等項目
** は判定不要項目

作業指示（赤字）または処理中（黒文字）の表示

全検査中の通信内容を表示します
・スクロール可
・コピー&ペーストでテキストファイルに取込み可能です

NGの場合詳細を表示します（ターゲットCPUからの出力TxData有りの場合送信しているコマンドも表示します）
OkDataの場合OK:も表示します

目視判定の場合このようなBOXを表示します

OK ボタンと Enter キーは連動します

検査を開始します
検査中は [CONTINUE] になり、一時停止中に押すと検査を再開します

この画面を閉じ Fig.2 画面に戻ります

検査を一時停止します
一時停止中は [STOP] になり押すと、検査を強制終了します

チェック有りのとき OK や送信のデータを表示します
この PC プログラムのデバッグ用（プログラム起動時はチェック無し）

AutoNext の機能

- ・自動モードで検査を開始した場合、AutoNext は ON となり、自動で検査が進みます
- ・個別モードで検査を開始した場合、AutoNext は OFF となり、[START] ボタンで検査を開始します
- ・自動モードで、NG 項目を再テストする場合、[PAUSE] した後 AutoNext を OFF にし [START] ボタンを押すことで可能です

各個別検査実行中は上記 Fig3 のような画面を表示します。

検査中の CL 本体との通信内容を画面右側に表示しますが、その結果をファイルとして保存することが可能です。（最大 30KB）。ファイル名は "保存ファイル名.txt" とします。

c. 検査共通事項

1) 各テストの個別判定で通信の応答の無い場合は「通信エラー」を表示して個別の判定は NG となります。

2) 1つの検査項目で NG が多数の場合は 20 個までとしている項目があります。

・検査終了

アプリは、検査終了状態で起動画面になります。

実機もしくは検査器の電源を OFF にします。

実機をはずします。

※ 検査を継続する場合は実機を入れ替えて電源を入れ起動画面から再試行します。

PC アプリを終了します。

● 検査項目一覧

項目	検査名称	検査項目の概要	判定
1-0	INFORMATION	ファームウェアのバージョンなどのチェック	自動
1-1	CPU MRAM	CPU MRAM の Data Bus,Address Bus のチェック	自動
1-2	CPU SDRAM	CPU SDRAM の Data Bus,Address Bus のチェック	自動
1-3	BATT	バックアップ用電池の電圧を判定	自動
1-4	RTC	Real Time Clock の取得、設定	自動
1-5	PLLPU	PLLPU のレジスタを W/R し判定	自動
1-6	DSP6	各 DSP6 のレジスタを W/R し判定。SIO 接続判定	自動
1-7	DSP7	各 DSP7 のレジスタを W/R し判定。SIO 接続判定	自動
1-8	SHARC	CPU と SHARC 間通信 /FLAG ラインチェック SHARC SDRAM チェック	自動
1-9	SLOT	SLOT の各信号と電源電圧の判定	自動
1-10	AIN/AOUT	使用しません	—
1-11	WORD CLOCK	WCLK OUT の Fs を WCLK IN でカウント PLL の LOCK 判定	半自動
1-12	AES/EBU (OUT)	SYSTEM2/ スピーカーと接続、音を通して判定	目視
1-13	MIDI	MIDI IN/OUT を LoopBack し送受信を判定	自動
1-14	GPI	IN/OUT を治具接続	自動
1-15	NETWORK	PC と通信し判定	自動 *1
1-16	USB STORAGE	制御線の検査、USB MEMORY を W/R し判定	自動
1-17	LAMP	実際の点灯、消灯で確認	目視
1-18	LCD	LCD の表示チェック	半自動
1-19	TOUCH PANEL	LCD に触れタッチポイントスケール / 輝度確認	半自動
1-20	HAAD	使用しません	—
1-21	RECORDER	RECORDER IC のレジスタを W/R し判定 SIO 接続判定	自動
1-22	DNTU SDRAM	DNTU 上の CPU SDRAM の Data Bus,Address Bus のチェック	自動
1-23	DNTU PLLPU	DNTU 上の PLLPU のレジスタを W/R し判定	自動
1-24	DNTU SIO	Brooklyn2 との UART、SPI をチェック	自動
1-25	DNTU Brooklyn2	Brooklyn2 及び Primary/Secondary ポートのチェック	自動
2-1	Ch Name LCD 表示	Ch Name LCD 各 Ch 名表示を確認	目視 *2
2-2	LED 全点灯	LED 全点灯全ての LED の点灯を確認	目視 *2
2-3	LED 色別点灯	赤、橙、黄、緑 各色ごとの LED の点灯を確認	目視 *2
2-4	スイッチ入力	スイッチからの入力を確認	目視 *2
2-5	エンコーダー入力	エンコーダーからの入力を確認	目視 *2
2-6	フェーダー移動時間測定	事前に CALIBRATION 実施必要 モーターフェーダーの動きを確認	自動

*1 テストプログラムと通信できることで OK の判定となります。

*2 フリーランしているので PANEL ごとに必要ならば目視チェックします。

1. サービス検査

CL のサービス検査について、テストプログラムの内容、実行画面例などを示します。

実行画面例は検査する項目のみを記述してあります (実際の表示はグレーアウトの項目があります)。

検査に必要な治具がない場合、該当する検査項目のチェックを外して実施してください。

- 1) 被検査物
CL 本体
- 2) パソコン
DOS/Vパソコン1台 (P-200MHz 以上、
Windows2000、XP、7、Ethernet ポート)
※ 使用ソフトは、YSISS ホームページからダウンロードします。
- 3) 検査治具
MY16-EX 検査治具 : 3枚
Rio3224-D : 1台
(SLOT の検査を行わない場合は必要ありません。)
D-SUB DA-15 オス折り返し治具 : 1台
- 4) ケーブル
XLR (AES/EBU) オス↔メス : 2本
BNC (Word Clock) : 1本
LAN (UTP CAT.5 (e)) : 3本
(内 2 本のコネクタは、Neutrik 社製の EtherCon CAT5e と適合する RJ-45 コネクタをお使いください。)
MIDI : 1本
- 5) その他
USB メモリー : 1個
テスター (LAMP の電圧を測定) : 1台
- 6) 接続
128 ページの検査接続図を参照してください。
- 7) パソコン設定

• Ethernet 設定

(Win XP の場合はコントロールパネル→ネットワーク接続→ローカルエリア接続→プロパティ→TCP/IP プロパティにて設定します。)

CL の SETUP 画面内の NETWORK 設定にて IP Address、Subnet Mask を調べ、IP アドレスには同一サブネットで CL の IP Address と一致しないものを、サブネットマスク、デフォルトゲートウェイには CL と同一のものを設定します。

• DME-N Network Driver 設定

(コントロールパネル→DME-N Network Driver)

Device	No. 1
Device Name	(任意)
Device	ID 1
TCP-KEEPALIVE	on

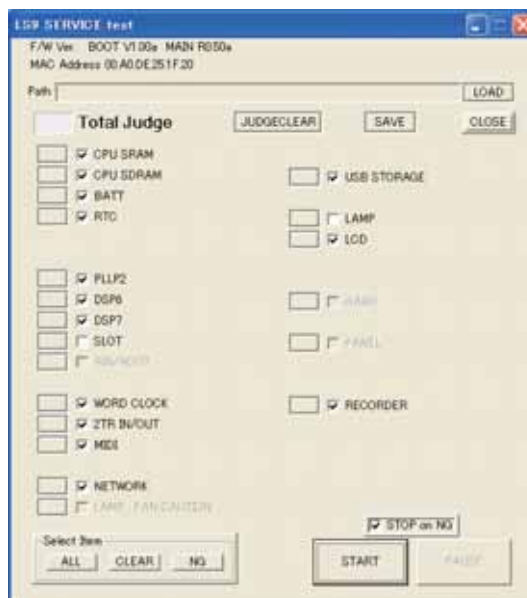
IP Address、Protect No. には CL の SETUP 画面にて IP Address、MAC Address を調べ、これを入力します。

• 検査の開始方法

- 1) CL 起動方法
CL の USER DEFINED KEYS 1,2,3 を押しながら電源を立ち上げ、PC アプリからテストプログラムに入ります。
※ FADER を検査する場合は「146 ページの FADER CALIBRATION」の手順で NG 判定になっている FADER がなくなるまでキャリブレーションを実施しておきます。
- 2) PC アプリ起動方法
Windows 上で CLTest_service.exe を起動すると以下の起動画面が表示されます。

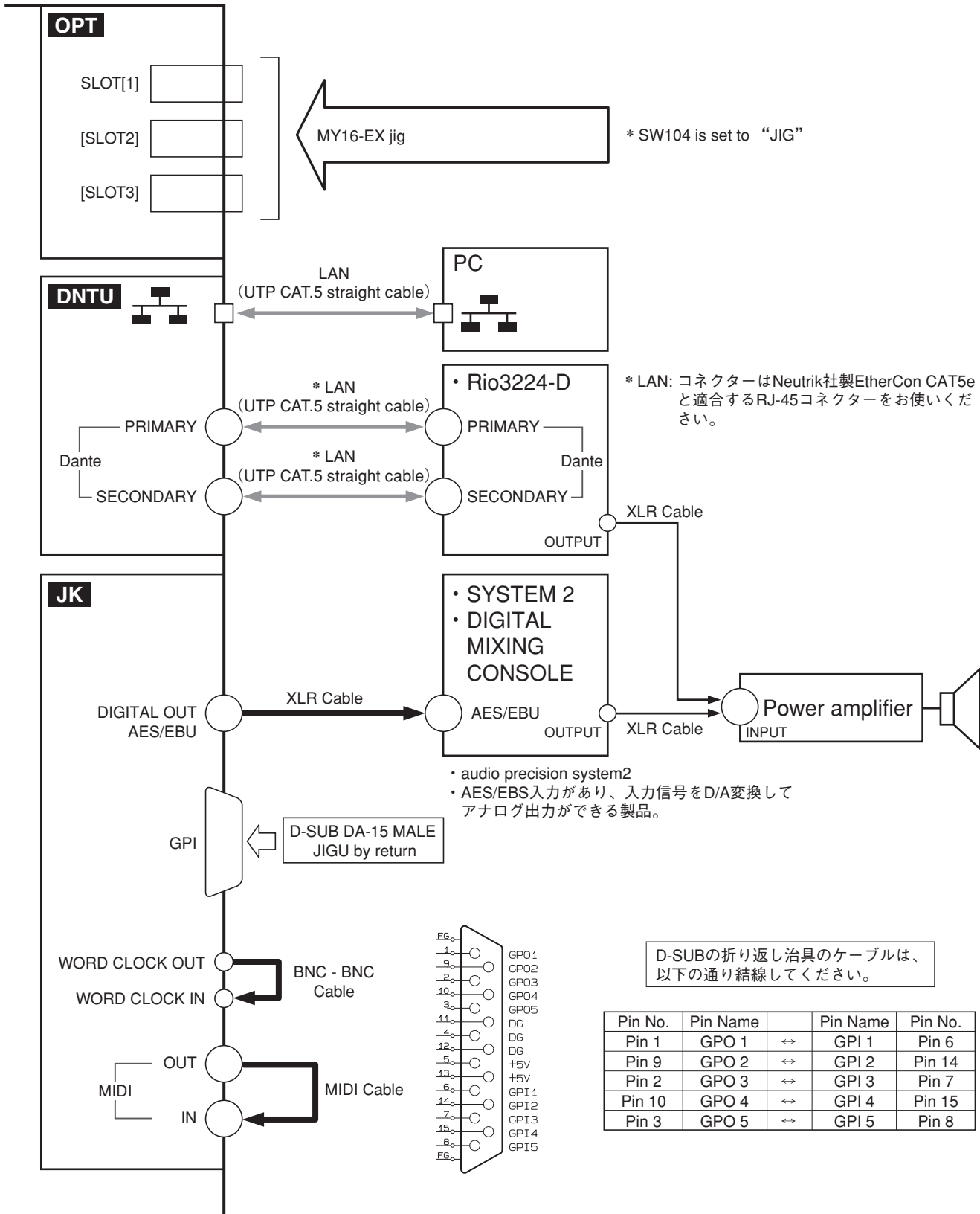


起動画面の、[CL SERVICE] ボタンをクリックすると以下の総合検査画面 (CL SERVICE test ウィンドウ) が表示されます。



・ 検査接続図

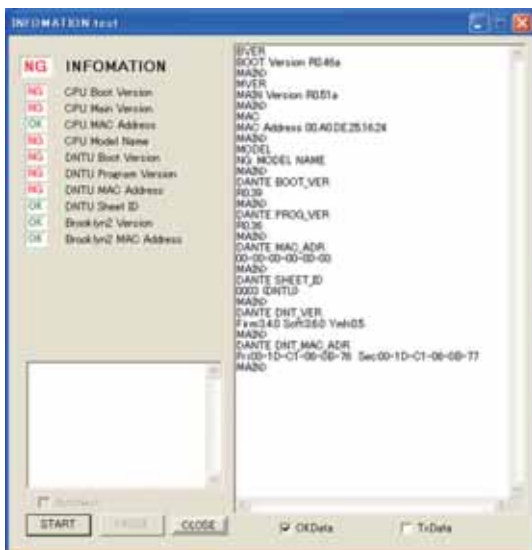
CL5



1-0. INFORMATION

内容 ファームウェアのバージョンが適切であるか等を確認します。

実行画面例



1-2. CPU SDRAM test

内容 バックアップ用電池の電圧測定回路を検査し自動判定します。

実行画面例



1-1. CPU MRAM test

内容 CPU シート上のMRAM のアドレスバス線とデータバス線の検査をします。

実行画面例



NG の場合の表示説明

NG: MRAM A[X](0:XXXXXXXX) W:XXXXXXXX-R:XXXXXXXX — アドレスバス NG の場合

NG となった Address Bus No. write data read data
CPU Address

NG: MRAM D[X] W:XXXXXXXX-R:XXXXXXXX — データバス NG の場合

write data read data
NG となった Data Bus No.

NG の場合の表示説明

NG: SDRAM ADDRESS BUS Ax — アドレスバス NG の場合

NG となった Address Bus No.

NG: SDRAM DATA BUS Dx — データバス NG の場合

NG となった Data Bus No.

1-3. BATT test

内容 バックアップ用電池の電圧測定回路を検査し自動判定します。

実行画面例



結果表示説明

電圧	右の Window 内の表示	備考
0.5 [V] 未満	NG : BATT NONE	電池が入っていない
0.5 [V] ~ 2.8 [V] 未満	NG : x.xxV (BATT. Low)	電圧が規定値より低い
2.8 [V] ~ 3.5 [V] 未満	OK : x.xxV	
3.5 [V] ~	NG : x.xxV (BATT. High)	電圧が規定値より高い

1-4. RTC test

内容 Real Time Clock の設定・取得を行います。

実行画面例

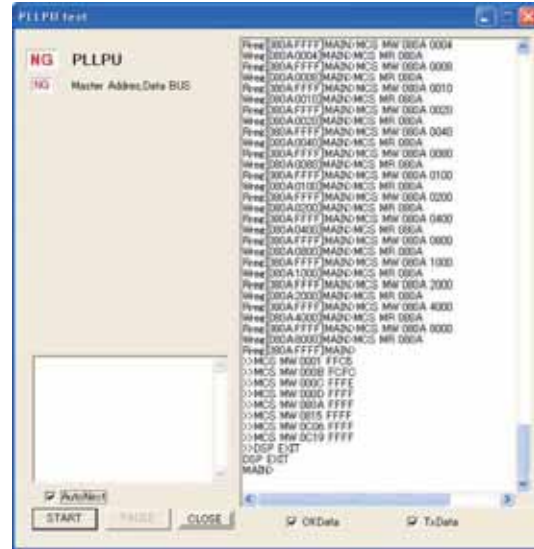


自動検査 (AUTO) を行います。始めに PC に設定されている時間を設定して 1 秒待ち、次に取得した時刻の差が 1 ~ 3 秒以内の場合は OK と判断します。設定や取得ができない場合、または時刻の差が 1 秒以下や 3 秒を超えている場合は NG と判断します。

1-5. PLLPU test

内容 PLLPU の Register を Write/Read してアドレスバス線 (A0...A4) とデータバス線 (D0...D15) の良否を判定します。

実行画面例



NG の場合の表示説明

NG : MCS Wxx : yy — Rxx : yy
 NG となった register No. Read Data
 Write Data

1-6. DSP6 test

1-7. DSP7 test

内容 各 DSP6、DSP7 の Register を Write/Read してアドレスバス線とデータバス線の良否を判定します。各 DSP6、DSP7 の DRAM、SDRAM に Register 経由で Write/Read して比較判定します。各 DSP 間 (SHARC 含む) の SIO 結線を信号の送受信で判定します。

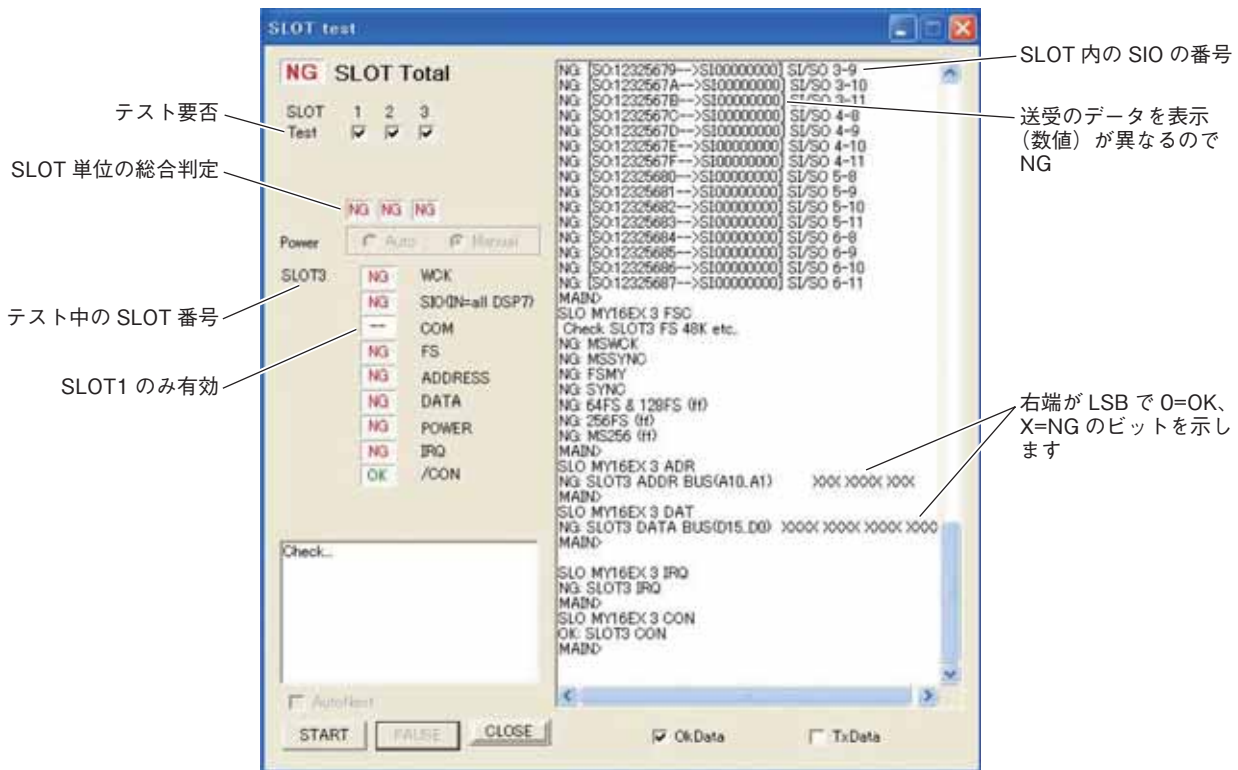
実行画面例



1-9. SLOT Test

内容 MY SLOT の各インターフェースおよび、SLOT に供給される電源電圧の検査を行います。
3SLOT 検査になります。

実行画面例



POWER = MANUAL の場合の判定 BOX



SLOT の電源電圧の検査について

MY16-EX 検査治具の各端子をテスターで測定して Manual で判定します。(EX のコネクタ CN102 から出せる様になっているのでそこにケーブルをつけて計測します。)
COM のテストは SLOT1 のみとなります。

1-10. AIN/AOUT Test

使用しません。

1-11. WORD CLOCK Test

内容 WORD CLOCK OUT → IN を PLLPU でカウントして自動判定します。
(Fs=44.1/48kHz)。PLL の LOCK チェックは、Fs 変更後クロックが安定するのを待って (約 200ms 後)、UNLOCK 信号を Read し判定します。

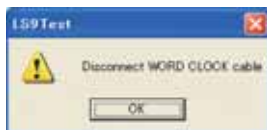
実行画面例



PLL の LOCK 検査用各種 Fs は FPGA の Internal Clock で発生させます。

Fs=44.1kHz, 48kHz

UNLOCK チェックのとき、WORD CLOCK ケーブルを外すように下記のメッセージが表示されますので、BNC ケーブルを外します。



1-12. AES/EBU (OUT) test

内容 スピーカーと接続して音で確認します。

実行画面例



スピーカーから 1KHz のサイン波が聞こえることを確認し、聞こえれば OK を、聞こえなければ NG をダイアログから入力します。



1-13. MIDI test

内容 MIDI 端子に出力したデータと折り返して受信したデータが同一であるか判定を行います。

実行画面例



1-14. GPI Test

内容 OUT と IN を治具で繋いでチェックします。



1-15. NETWORK Test

内容 PC と通信できていることにより OK 判断とします。

実行画面例



1-16. USB STORAGE test

内容 USB ポートに接続された USB メモリー (USB STORAGE) を認識するかどうか検査します。

実行画面例



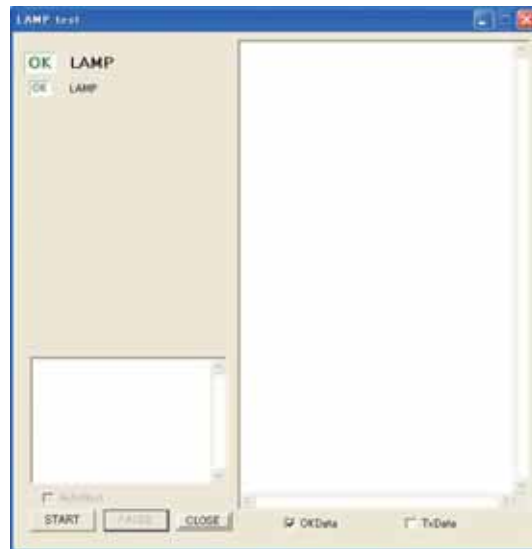
また、通常動作で USB を挿して電源を入れた時に USB OVER CURRENT の POPUP が出た場合は USB シートを交換します。

(測定用 IC のばらつきで起こっており、バージョンアップにて OVER を起こしても再起可能な様にする予定なので、取り替えたシートはそれまで取っておきます。)

1-17. LAMP test

内容 LAMP の点灯を目視確認し、判定します。

実行画面例



下記のダイアログが現れたら LAMP が点灯していることを確認して OK を選択します。



下記のダイアログが現れたら LAMP が消灯していることを確認して OK を選択します。



1-18. LCD Test

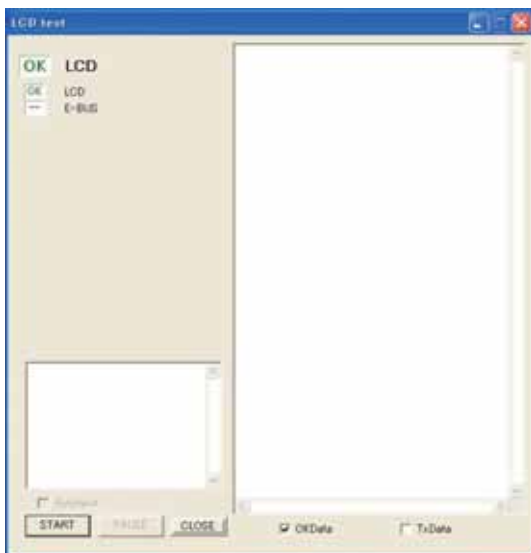
内容 LCD の表示検査。

LCD 画面の表示が 1) のパターンが 3 秒、2) から 9) のパターンが 5 秒ごとに繰り返されるのでこれを目視確認します。

タッチパネルを押している間は、現在の画面が保持されます。

確認を終えたら、テストプログラムのダイアログで[OK]又は[NG]の結果を選択します。

実行画面例



チェック結果を下記ダイアログにて入力します。



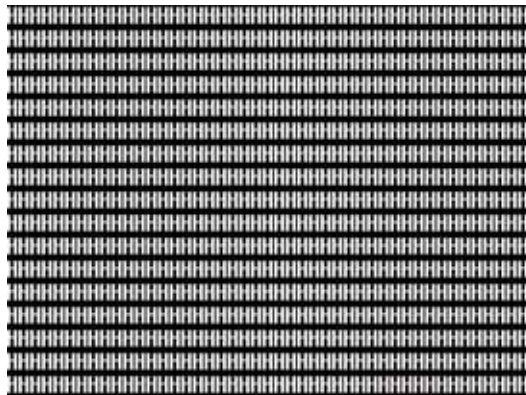
1) モデル名表示

正しいモデル名が表示されているかを確認します。



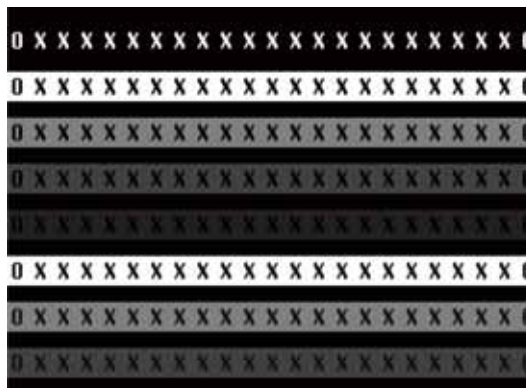
2) H 文字表示

縦横の歪みと枠の歪み (H がきちんと中に見えているか) をチェックします。



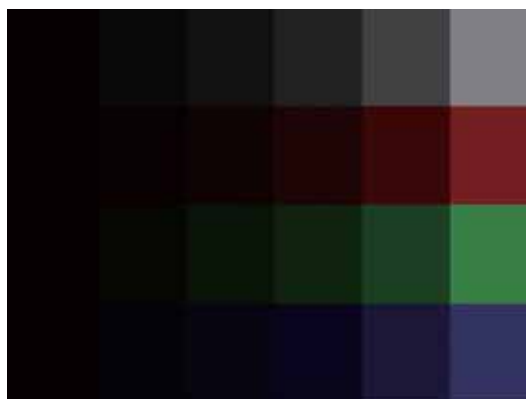
3) 色にじみとゆれ表示

周辺を O、中に X の文字を表示する。文字がゆれていないか、O が正しく収まっているか、色ずれないかをチェックします。文字及び背景は白黒灰の色を微妙に変えて表示されます。



4) カラー BOX

右から左にかけてグラデーションして黒になります。黒以外の 5x4 の色がグラデーションして正しく出ることをチェックします。



- 5) ~9) 白、赤、緑、青、黒のそれぞれ塗りつぶし(下記は緑の例)
黒くなっていたり色が着いたりするドットがないかをチェックします。



1-19. TOUCH PANEL Test

内容 タッチパネルの入力を検査します。
LCD をタッチする事により LCD 上部と左部にタッチポイントのスケールが表示されます。
またタッチする毎に LCD 輝度が低輝度・高輝度に切り替わります。
確認を終えたら、テストプログラムのダイアログで[OK] 又は [NG] の結果を選択します。

実行画面例



LCD 表示



このテストとは別に完成品では初期化後 STORE 押しで電源立ち上げて MENU から TOUCH SCREEN CALIBRATION を選んで格子の4隅を順番に指で押さえて表示される十字のカーソルが押さえた位置とずれてないことを確認します。座った状態で最適な位置としているので立ったままで行なうと若干上にカーソルが出ます。

1-20. HAAD Test

使用しません。

1-21. RECORDER Test

内容 RECORDER IC (MP3 Decoder/Encoder) の Register を Write/Read して DataBUS、AddressBUS の良否を判定します。
DSP7 との SIO 結線を信号の送受信で判定します。
また DSP 7 との SH7724 CPU 結線を信号の送受信で判定します。

実行画面例



NG の場合の表示説明

- 1) CPU Interface (Data Bus) ...

NG: IC402 0000 XXXX 0000 0000 0000 X00X X =不良のビット

MSB

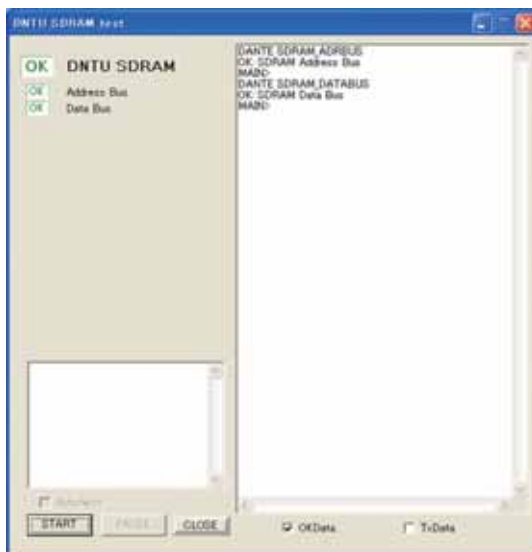
LSB

- 2) SIO Connection (DSP7 → RECORDER)
 NG: IC206 [SO08] → IC402 [BDR0]
 SIO Connection (RECORDER → DSP7) ...
 NG: IC402 [BDX0] → IC201 [SI09]
 NG: IC402 [BDX0] → IC203 [SI09]

1-22. DNTU SDRAM Test

内容 DNTU シート上の CPU SDRAM を Write/Read してアドレスバス線とデータバス線の良否を判定します。

実行画面例



1-23. DNTU PLLPU Test

内容 PLLPU の Register (00,0f,10,16) を Write/Read してアドレスバス線 (A0...A4) とデータバス線 (D0...D15) の良否を判定します。

実行画面例



1-24. DNTU SIO Test

内容 DSP 7 と DANTE 間の結線を信号の送受信で判定します。

DNTU シート、Brooklyn 2 間の UART、SPI の通信を行い良否を判定します。

Primary と Secondary の各 LED の点灯 (点滅) を目視で判定します。

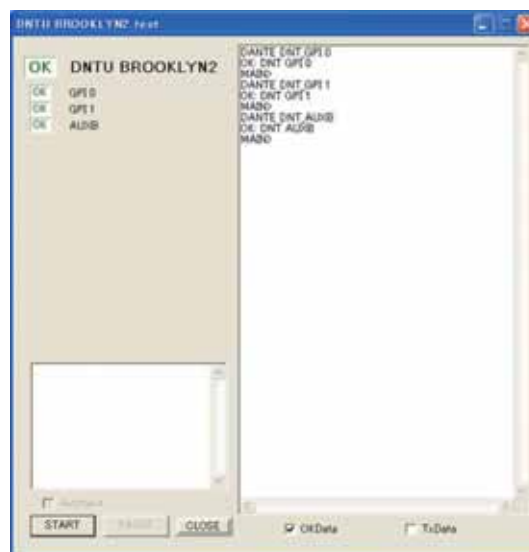
実行画面例



1-25. DNTU Brooklyn2 Test

内容 Brooklyn2 のオーディオ信号、Ethernet チェックを行い良否を判定します。

実行画面例



2. PC アプリを必要としない検査

2-0. CH NAME LCD 表示検査

立ち上げ後、検査モードに入ると同時に全 MiniLCD のバックライトが点灯し、検査パターンが表示されます。任意のスイッチを1つ押すたびに検査パターンが切り替わるので、目視によって異常がないかを確認していきます。以下に、検査パターンごとの確認すべき内容を示します。

全ドット点灯	全ドットが点灯しているかを確認します。
枠型点灯	一番外側のドットが枠型に点灯しているかを確認します。
全ドット消灯	全ドットが消灯しているかを確認します。
CH 番号表示	左から順番通りの番号が表示されているかを確認します。

NAME LCD の検査でムラについては OK とします。ムラとは濃さ等に差があるが点灯消灯がきちんとするドットのこと。これに対して点灯消灯で変わらないドットは黒点白点といい、NG とします。

また、通常動作もしくは音出し検査時に下記コントラスト逆品がないかチェックします。

フロントパッドからぎりぎりに見える高さで NAME DISPLAY を見てコントラストを調整(最大に近い)し、表示が真っ黒に見える様にします。

その時、真っ黒にならず、かつ、逆のリア側から NAME DISPLAY が見えるぎりぎりの高さから見た時に真っ黒に見える NAME DISPLAY は視野角が逆になっているので NG とします。

2-1. LED 全点灯検査

CH NAME LCD 表示検査モードの状態から、任意の3つのスイッチを同時に押すと、LED 全点灯検査モードが起動します。

目視によって、パネル上のすべての LED が点灯していることを確認します。

2-2. LED 色別点灯検査

LED 全点灯検査モードの状態から、任意の3つのスイッチを同時に押すと、LED 色別点灯検査モードが起動します。任意のスイッチを1つ押すたびに、赤、橙、黄、緑、の順に点灯する LED が変わります。

目視によって、色違いの LED が点灯していないか確認します。

2-3. スイッチ入力検査

LED 色別点灯検査モードの状態から、任意の3つのスイッチを同時に押すとスイッチ入力検査モードが起動します。

各スイッチに対応する LED を、あらかじめ点灯させ、スイッチを押下、解放すると、対応する LED が消灯します。

全てのスイッチについて操作を行います。

※ 同時に2個以上のスイッチを押さないでください。

あらかじめ点灯していた全ての LED が消灯したかを目視で確認します。

スイッチに LED が付いていないものについては、付近の LED を対応させて点灯します。

SELECTED CHANNEL セクション	Centaralogic の CH METER に対応させます
SEND 1,3,...,13,15	CH1 ~ 8 の -60
SEND 2,4,...,14,16	CH1 ~ 8 の -30
GAIN	CH1 の -18
PAN	CH2 の -18
HPF	CH3 の -12
DYNAMICS 1	CH1 の -6
DYNAMICS 2	CH2 の -6
EQ-Q H,HM,LM,L	CH4,5,6,7 の -18
EQ-Freq H,HM,LM,L	CH4,5,6,7 の -12
EQ-GAIN H,HM,LM,L	CH4,5,6,7 の -6

なお DANTE にリセットがかかって SW がついてこなくなる(反応が遅れる)ことがあります。

DANTE モジュールのばらつきによって十数秒に一回これを繰り返してしまうので、この症状を起こすものは、通常モードで SETUP 画面から DANTE SETUP を開いて SECONDARY PORT を REDUNDANT にしてから電源を入れ直して DIAG に入れば、症状が起きなくなります。

なお通常動作ではこの問題は起こりません。

SCENE MEMORY セクション	Centaralogic の CH METER に対応させます
INC	CH3 の -6
DEC	CH3 の -18
STORE	CH8 の -12
RECALL	CH8 の -18

USER DEFINED KNOBS セクション	STEREO A の CH METER に対応させる
USER DEFINED KNOBS 1~4	-6,-12,-18,-30

2-4. エンコーダー入力検査

スイッチ入力検査モードの状態から、任意の3つのスイッチを同時に押すとエンコーダー入力検査モードが起動します。各エンコーダーに対応する LED をあらかじめ点灯させ、各エンコーダーを1つずつ右に回し、左に回す操作を行うことで対応した LED が消灯します。

すべてのエンコーダーについて操作を行います。

あらかじめ点灯していた全ての LED が消灯したかを目視で確認します。

エンコーダーに LED が付いていないものについては、付近の LED を対応させて点灯します。

※ SELECTED CHANNEL セクションのエンコーダーに対応させる LED は、スイッチ入力検査と同じです。

※ USER DEFINED KNOBS セクションのエンコーダーに対応させる LED は、スイッチ入力検査と同じです。

MONITOR LEVEL	STEREO A の CH METER の -60
---------------	---------------------------

2-5. フェーダー移動時間測定検査

本検査を行う前に、146ページの「フェーダーキャリブレーション」が実施されていること確認します。

エンコーダー入力検査モードの状態から、任意の3つのスイッチを同時に押すとフェーダー移動時間測定検査モードが起動します。

まず、全フェーダーの往復運動を規定回数行い、続けて測定が始まります。

判定結果は、各フェーダーの上に配置されている SEL/ON の LED で表します。

上りがNGの場合にはSEL-LEDが点灯、下りがNGになった場合はON-LEDが点灯します。

以下のことを確認してください。

- 各フェーダーの上に配置されている SEL/ON の LED が全て消灯しているかを確認します。

どこか1個のスイッチを押すことで、再度検査を実行できます。

2-6. LED 全点灯検査

CH NAME LCD 表示検査モードの状態から、任意の3つのスイッチを同時に押すと、LED 全点灯検査モードが起動します。

目視によって、パネル上のすべての LED が点灯していることを確認します。

■ UPDATING FIRMWARE

1. Preparation

For the updating procedure and settings of the main unit, please refer to Firmware Update Guide found in our web-site.

- * Be careful so that the power is never turned off while updating the version.

Prepare the USB memory and the environment (PC equipped with the USB terminal) enabling to read and write it.

- * If the screen is reset to the normal screen after updating, the version may not be displayed on the SETUP screen. In such case, turn on the power again.

2. Updating Firmware of CL Main Unit

Described below is the procedure to update the firmware of the CL main unit. Decompress the downloaded compressed file in advance.

- 1) Save the setting data in CL as a backup data in the USB memory or CL Editor (which is applicable to the version of the firmware before it is updated.)
When saving it in the USB memory, have the SAVE/LOAD pop-up window displayed on the SETUP screen.
- 2) Turn off the power of the CL main unit.
- 3) Disconnect the cable connected to the DANTE terminal.
If initialization was executed, settings of DANTE may change from REDUNDANT to DAISY CHAIN. If the settings are changed to DAISY CHAIN settings while the REDUNDANT connection is as it is, communication becomes unavailable. Reconnect the cable after updating is completed and settings are reset to their original state.
- 4) Insert the USB memory into the USB terminal of the computer.
- 5) Copy the file (with such file extension .PGM or .BIN) in the [cl_frm***] folder (***) representing the version number) into the root directory of the USB memory.
- 6) Remove the USB memory when copying is completed.
For removal of the USB memory, refer to the instruction manual of the computer or USB memory.
- 7) Insert the USB memory into the USB terminal of the CL main unit and turn on the power of the CL main unit. [Start Loading?] message will appear.

- 8) Press the OK button to start reading of the firmware.

Caution:

The [Loading...] message is displayed while the firmware is being read. The progress status is displayed 3 times repeatedly in the form of 0 to 100%. As the USB memory is being accessed during this period, do not remove the USB memory from the CL main unit or turn off the power of the CL main unit.

- 9) When reading the firmware is completed, the CL main unit is restarted automatically and the [Starting System...] message flashes (for about 1 minute).
Don't turn off the power during this period. If it is turned off by chance, turn it on again, and the process will restart from this state.

- 10) If the pop-up window such as [Since CL was upgraded, Initialize all memories.] or [Memory Error! Current Memories were Initialized] appears, press the CLOSE button to close it.

Note

- Even if the [Error] message appears, it is only related to initialization. Continue the procedure.

- 11) If the [Initialize All Memories?] message appears, press the [INITIALIZE] button.
- 12) If the [Are you sure?] message appears, press the [OK] button. Then initialization of the built-in memory will start.
- 13) When initialization is completed, press the [EXIT] button.
- 14) Confirm that the [ACCESS] indicator in the function access area is turned off and then remove the USB memory.
- 15) Confirm as necessary that updating has been executed properly in the version field of the SETUP screen. Also, correct the touch screen position on the start-up menu screen (calibration function). When adjusting the fader (calibration function), restart the CL main unit first.

■ ファームウェアのアップデート

1. 準備

アップデートの手順や本体の設定については、ウェブサイトを用意されているファームウェアアップデートガイドをご参照ください。

※ バージョンアップ中は絶対に電源が切れないように配慮してください。

USB メモリーとそれを読み書きできる環境 (USB 端子を搭載した PC) を準備します。

※ UPDATE 後そのまま通常画面にすると、SETUP 画面でバージョンが表示されないことがあります。その場合は電源を入れ直します。

2. CL 本体のファームウェアのアップデート

CL 本体ファームウェアをアップデートする手順を説明します。ダウンロードした圧縮ファイルはあらかじめ解凍しておいてください。

- 1) CL 内部の設定データを USB メモリー、または (アップデートする前のファームウェアバージョンに対応した) CL Editor でバックアップとして保存します。
USB メモリーに保存する場合は、SETUP 画面から SAVE/LOAD ポップアップウィンドウを呼び出します。
- 2) CL 本体の電源を切ります。
- 3) Dante 端子に接続されているケーブルを取り外します。初期化をした場合、Dante の設定が REDUNDANT から DAISY CHAIN に変わることがあります。REDUNDANT 接続のまま DAISY CHAIN の設定に切り替わると通信ができない状態になります。アップデートが完了して、設定を元に戻してからケーブルを再接続してください。
- 4) USB メモリーをコンピューターの USB 端子に挿入します。
- 5) 「cl_frm***」フォルダー (***) はバージョン番号) にあるファイル (拡張子 .PGM と .BIN) を USB メモリーのルートディレクトリーにコピーします。
- 6) コピーが完了したら、USB メモリーを取り外します。USB メモリーの取り外し方法については、コンピューターや USB メモリーの取扱説明書をご参照ください。
- 7) USB メモリーを CL 本体の USB 端子に挿入し、CL 本体の電源を入れます。
「Start Loading ?」のメッセージが表示されます。

- 8) OK ボタンを押すと、ファームウェアの読み込みが開始されます。

注意: ファームウェアの読み込み中は、「Loading...」のメッセージが表示されます。読み込みの進捗に伴って、0 ~ 100% を 3 回繰り返して表示されます。この間は USB メモリーにアクセス中なので、USB メモリーを CL 本体から取り外したり、CL 本体の電源を切ったりしないでください。

- 9) ファームウェアの読み込みが完了すると、CL 本体が自動的に再起動し、「Starting System...」というメッセージが点滅表示されます (約 1 分)。この間は、電源を切らないでください。電源を切ってしまった場合は、電源を入れ直すとこの状態から再開します。

- 10) 「Since CL was upgraded, Initialize all memories.」や「Memory Error! Current Memories were Initialized」などのポップアップウィンドウが表示されたら、CLOSE ボタンを押して閉じます。

Note

- エラーと表示されても初期化に関するメッセージなので、作業を継続してください。

- 11) 「Initialize All Memories ?」のメッセージが表示されたら、INITIALIZE ボタンを押します。
- 12) 「Are you sure ?」のメッセージが表示されたら、OK ボタンを押します。
内蔵メモリーの初期化が開始されます。
- 13) 初期化が完了したら、EXIT ボタンを押します。
- 14) ファンクションアクセスエリアの ACCESS インジケータが消えていることを確認してから、USB メモリーを取り外します。
- 15) 必要に応じて、SETUP 画面のバージョンフィールドで、正しくアップデートされていることを確認します。また、起動メニュー画面でタッチスクリーンの位置を補正します (キャリブレーション機能)。フェーダーを調整する (キャリブレーション機能) 場合は、CL 本体を再起動してから実行してください。

INITIALIZATION

To reset settings to the factory shipment state, execute “forced initialization” by turning on the power switch while holding down the **[STORE]** and **[INC]** keys simultaneously.

When the forced initialization has been completed, the confirmation message “Flash Memory Initializing Finished” will appear. Then press the **[CLOSE]** key, and the normal screen appears followed by the version of DANTE. Wait until the ACCESS indicator at the upper right turns off and that’s the end of the procedure.

CL also has 2 types of initialization mode. They are “INITIALIZE ALL MEMORIES” and “INITIALIZE CURRENT MEMORIES”. They are available to users and can be used as necessary. To use these modes, turn on the power switch while holding down the **[STORE]** key, and the special mode screen will appear. Then select the mode and execute initialization.

The following table shows types of memory initialized in above 3 initialization modes.

(○ marked memory is initialized)

Initialization mode	Memory type					
	MRAM					
	CURRENT SCENE	SETUP DATA	PORT TRIM	DIO status	Dante Setup -CONSOLE ID -SECONDARY PORT mode	Dante module (Brooklyn II) setting data
FORCED INITIALIZATION (Factory default)	○	○	○	○	○	○
INITIALIZE ALL MEMORIES	○	○	○	—	—	—
INITIALIZE CURRENT MEMORIES	○	○	○	—	—	—

Initialization mode	Memory type						
	FRASH ROM						
	Model identification	SCENE1-300 DATA	LIBRARY DATA	FADER CALIBRATION	NAME BL CALIBRATION	CH COLOR CALIBRATION	USER BITMAP
FORCED INITIALIZATION (Factory default)	—	○	○	—	—	—	○
INITIALIZE ALL MEMORIES	—	○	○	—	—	—	○
INITIALIZE CURRENT MEMORIES	—	—	—	—	—	—	—

* When the forced initialization (as when shipped from the factory) is executed, settings of the DANTE module will be as follows.

1. The device name of the DANTE module is reset to BLKN II xxxxxx and then renamed to Y001 YAMAHA CL x-xxxxxx after restarting. The DANTE device name must be changed for correct connection of the CL series and I/O rack.
2. The network setting of the DANTE SECONDARY PORT is reset to [DAISY CHAIN].

* When the SECONDARY PORT setting or the IC of the CL series or I/O rack has been changed on the DANTE SETUP screen, it is necessary to turn on the power again.

Changing SECONDARY PORT setting

1. Disconnect the Ethernet cable from the DANTE terminal or the CL series I/O rack.

NOTE

When changing the SECONDARY PORT setting, it is also necessary to change the cable connection between the CL series and I/O rack. For example, if the setting is changed to DAISY CHAIN with cable connection for REDUNDANT setting as it is, it will be impossible to send/receive the sound.

Be sure to disconnect the cable before changing the setting.

2. Check the REDUNDANT setting of the CL series and DIP switch setting of the I/O rack.
3. Turn on the power to the CL series and I/O rack again.
4. After waiting for about 1 minute, connect the Ethernet cable to the DANTE terminal of the I/O rack first. Then, after waiting for about 20 seconds, connect the Ethernet cable to the DANTE terminal of the CL series.

■ イニシャライズ

工場出荷時の状態にするためには、[STORE] と [INC] キーを同時に押しながら電源を立ち上げ強制初期化を実行します。強制初期化完了後には、「Flash Memory Initalizing Finished.」の Confirmation が表示されるので、[CLOSE] を押して通常画面とし、DANTE のバージョンが出て、右上の ACCESS インジケータが消えるまで待つて終了します。

また CL にはユーザーにも公開している 2 種類の初期化モード、「INITIALIZE ALL MEMORIES」「INITIALIZE CURRENT MEMORIES」があるのでサービスなどでは必要に応じて使い分けることも可能。

[STORE] キーを押しながら電源を立ち上げると表示される特殊モード画面から実行可能。

上記3種類によって初期化される対象のメモリーをまとめると下記の通りになります。

(○が初期化の対象)

初期化の種類	初期化対象メモリー					
	MRAM					
	CURRENT SCENE	SETUP DATA	PORT TRIM	DIO ステータス	Dante Setup -CONSOLE ID -SECONDARY PORT mode	Dante module (Brooklyn II) setting data
強制初期化 (工場出荷時)	○	○	○	○	○	○
INITIALIZE ALL MEMORIES	○	○	○	—	—	—
INITIALIZE CURRENT MEMORIES	○	○	○	—	—	—

初期化の種類	初期化対象メモリー						
	FRASH ROM						
	機種判別	SCENE1-30 0 DATA	LIBRARY DATA	FADER CALIBRATION	NAME BL CALIBRATION	CH COLOR CALIBRATION	USER BITMAP
強制初期化 (工場出荷時)	—	○	○	—	—	—	○
INITIALIZE ALL MEMORIES	—	○	○	—	—	—	○
INITIALIZE CURRENT MEMORIES	—	—	—	—	—	—	—

※ 強制初期化 (工場出荷時) を実行すると、DANTE モジュールの設定は次のようになります。

1. ダンテモジュールのデバイス名が、BLKN II xxxxxx にリセットされて、再起動後に Y001 ヤマハ CL x-xxxxxx に改名されます。CL シリーズと I/O ラックを正しく接続をする為にダンテのデバイス名の変更は、不可欠です。
2. Dante の SECONDARY PORT のネットワーク設定は、「DAISY CHAIN」にリセットされます。

※ DANTE SETUP 画面で SECONDARY PORT 設定や、CL シリーズや I/O ラックの ID を変更した場合は、電源の入れ直しが必要になります。

SECONDARY PORT 設定の変更

1. CL シリーズ、I/O ラックの DANTE 端子からイーサネットケーブルを外します。

NOTE

SECONDARY PORT 設定を変更する場合には、CL シリーズと I/O ラックの間の結線方法も変更が必要です。

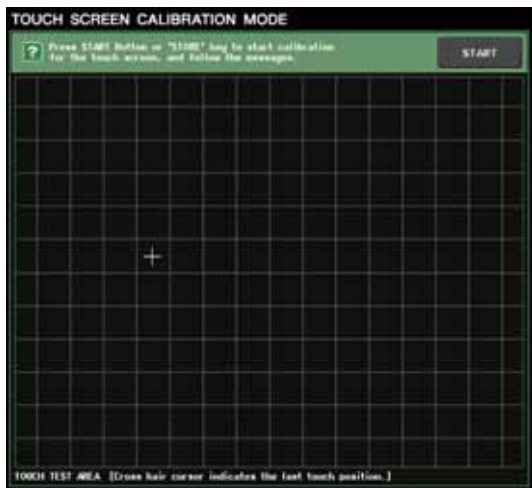
たとえば、REDUNDANT に設定したときの結線のまま DAISY CHAIN に変更すると、音声のやりとりができなくなります。

設定を変更する前に、まずケーブルを抜いておくようにしてください。

2. CL シリーズの REDUNDANT 設定と I/O ラックのディップスイッチの設定を確認します。
3. CL シリーズと I/O ラックの電源を入れなおします。
4. 約 1 分待つてから、先に I/O ラックの DANTE 端子のイーサネットケーブルを接続してから、20 秒ほど待つて最後に CL シリーズの DANTE 端子にイーサネットケーブルを接続します。

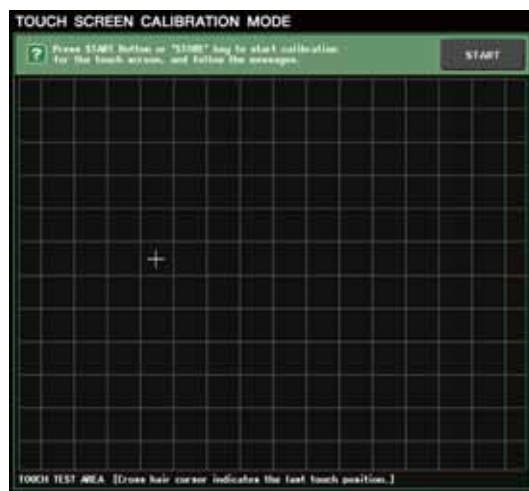
■ TOUCH SCREEN CALIBRATION (タッチスクリーンのキャリブレーション)

- 1) While holding down the **[STORE]** key, turn on the power switch, and the Special Mode Screen will appear, where INITIALIZE, TRIM, CALIBRATION, etc. are executed.
- 2) Among MODE SELECT buttons, touch **[TOUCH SCREEN CALIBRATION]**, and the touch screen window will appear. Then touch the **[START]** button.
 - * If the above window does not appear, press the SCENE MEMORY **[INC]/[DEC]** key to select **[TOUCH SCREEN CALIBRATION]** and press the **[STORE]** key to start.



- 3) As a confirmation message will appear, touch the **[OK]** button.
- 4) As a cross cursor appears in the screen 3 times in total, touch to match their positions.
 - * For accurate adjustment, touch the cross cursor at such position and in such posture used usually for operation.

- 1) **[STORE]** キーを押しながら電源を立ちげると INITIALIZE, TRIM, CALIBRATION などを行う「特殊モード画面」が表示されます。
- 2) MODE SELECT ボタンのなかから、**[TOUCH SCREEN CALIBRATION]** をタッチすると、タッチスクリーンのウィンドウが表示されますので、**[START]** ボタンをタッチします。
 - ※ 表示されないときは、SCENE MEMORY **[INC] / [DEC]** キーを押して **[TOUCH SCREEN CALIBRATION]** を選択し、**[STORE]** キーを押してスタートします。



- 3) 確認のダイアログが表示されますので**[OK]**ボタンをタッチします。
- 4) 画面内に十字カーソルが計 3 回表示されますので、その位置に合わせてタッチします。
 - ※ 正確に調整するには、通常操作する位置および姿勢で十字カーソルをタッチします。

■ FADER CALIBRATION

- 1) While holding down the **[STORE]** key, turn on the power switch, and the [Special Mode Screen] will appear, where INITIALIZE, TRIM, CALIBRATION, etc. are executed.
- 2) Among MODE SELECT buttons, touch [FADER CALIBRATION], and the fader calibration window will appear.
- 3) According to instructions on the screen and using the **[SEL]** key, select the fader for which CALIBRATION will be executed. Select all the faders.
 - * It is possible to select only those faders which are subject to calibration.
- 4) Touch the START button in the screen. As a confirmation screen will appear, touch the **[OK]** button to start CALIBRATION.
- 5) As “MOVE ALL SELECTED FADERS TO $-\infty$ dB and Press **[NEXT]** Button” appears on the screen, apply all the selected faders to the bottom and execute NEXT.
- 6) As “MOVE ALL SELECTED FADERS TO -20 dB and Press **[NEXT]** Button” appears on the screen, align all the selected faders to the -20 index and execute NEXT.
- 7) As “MOVE ALL SELECTED FADERS TO 0 dB and Press **[NEXT]** Button” appears on the screen, align all the selected faders to the 0 index and execute NEXT.
- 8) As “MOVE ALL SELECTED FADERS TO +10 dB and Press **[NEXT]** Button” appears on the screen, apply all the selected faders to the top and execute NEXT.
- 9) As “Calibrating the Faders...” appears on the screen and the motor driven calibration is started, do not touch the faders until it is completed.
- 10) When the motor driven calibration is over, the automatic correction will start. While every 8 faders are driven together, correction is made so that the movement time becomes the same as much as possible. Do not touch faders during this procedure.
- 11) When all the procedure is over, the **[APPLY]** button appears on the screen. Check to make sure that SEL-LED, CUE-LED and ON-LED at the top of each fader are all turned off and press the **[APPLY]** button.

Even one LED is lit in Step 11) above, take following measures.

- **When SEL-LED is lit**

It is possible that positioning at any of 4 places in steps 5) to 8) has failed.

As the **[RESTART]** button and **[APPLY]** button appear on the screen, execute **[RESTART]** as necessary and do the procedure again from Step 4.

- **When CUE-LED is lit**

In Step 9) above, full movement is not obtained at the specified maximum voltage.

As the **[APPLY]** button appears on the screen, press it once and slide the subject fader by hand about 10 times and again do the procedure from Step 3).

- **When CUE-LED and ON-LED are lit**

Oscillation and vibration have occurred during operation of Step 9) above.

Replace the subject fader.

■ フェーダーキャリブレーション

- 1) [STORE] キーを押しながら電源を立ち上げると INITIALIZE, TRIM, CALIBRATION などを行う「特殊モード画面」が表示されます。
- 2) MODE SELECT ボタンのなかから、「FADER CALIBRATION」をタッチすると、FADER CALIBRATION のウィンドウが表示されます。
- 3) 画面の指示に従って、チャンネルの [SEL] キーを使ってキャリブレーションを行うフェーダーの選択を行います。すべてのフェーダーを選択してください。
※ キャリブレーションしたいフェーダーだけでも選択することができます。
- 4) 画面内 [START] ボタンをタッチします。確認画面が表示されますので OK を押すとキャリブレーションが始まります。
- 5) 画面に「MOVE ALL SELECTED FADERS TO -∞ dB and Press 'NEXT' Button」と表示されますので選択した全フェーダーを一番下に突き当てて NEXT を実行します。
- 6) 画面に「MOVE ALL SELECTED FADERS TO -20dB and Press 'NEXT' Button」と表示されますので選択した全フェーダーを-20の指標にあわせて、NEXT を実行します。
- 7) 画面に「MOVE ALL SELECTED FADERS TO 0dB and Press 'NEXT' Button」と表示されますので選択した全フェーダーを0の指標にあわせて、NEXT を実行します。
- 8) 画面に「MOVE ALL SELECTED FADERS TO +10dB and Press 'NEXT' Button」と表示されますので選択した全フェーダーを一番上に突き当てて NEXT を実行します。
- 9) 画面に「Calibrating the Faders. . .」と表示され、モーター駆動のキャリブレーションが始まりますので、終了するまでフェーダーに触れないこと。
- 10) モーター駆動のキャリブレーションが終了すると、自動補正が始まります。8本ごとに一斉駆動しながら、移動時間となるべく均一になるよう補正しますので、終了するまでフェーダーに触れないこと。
- 11) すべてが終了すると、画面に [APPLY] ボタンが表示されますので、各フェーダー上部の SEL-LED, CUE-LED, ON-LED が全て消灯していることを確認し、[APPLY] ボタンを押します。

上記手順 11 の時点で LED が一つでも点灯している場合は、次の対応をしてください。

• SEL-LED が点灯している場合

上記手順 5～8 の4箇所のいずれかの位置合わせに失敗している。

画面には、[RESTART] ボタンと [APPLY] ボタンが表示されるので、必要に応じて「RESTART」を実行し、手順 4 からやり直します。

• CUE-LED が点灯している場合

上記手順 9 にて、規定最大電圧で動ききれていない。

画面には [APPLY] ボタンが表示されるので一旦押下し、その後、当該フェーダーを手で 10 回程度の摺動を行ってから、改めて手順 3 からやり直します。

• CUE-LED かつ ON-LED が点灯している場合

上記手順 9 の最中に発振振動を起こした。

当該フェーダーは交換してください。

■ COLOR BAR AND CH NAME LCD CALIBRATION

While pressing the **[STORE]** key, turn on the power. If the FACTORY value has been reset by RESET ALL like after the circuit board replacement and its manual setting is necessary, turn on the power while pressing the **[STORE]** and **[RECALL]** keys simultaneously.

At this time, as the factory mode fixed to the MAC address is used for start-up, exclude it from the network.

In either case, "special mode screen" to execute such functions as INITIALIZE, TRIM and CALIBRATION appears.

Among MODE SELECT buttons, touch **[CHANNEL COLOR CALIBRATION]** and the CHANNEL COLOR CALIBRATION window appears. From here, adjust the color bar and CH NAME LCD backlight according to the following procedure.



- 1) Select the color to be adjusted from CH COLORS and touch it, and the color of the color bar of the main unit changes accordingly.
- 2) If there is a channel where color variation is found, press the **[SEL]** key to select the channel to be changed.
- 3) Using encoders of CentralLogic 6ch to 8ch, adjust RGB ADJUSTMENT values by each channel. Colors are in the order of red, green and blue from the left.



- 4) Color adjustment should be done over all the colors until extreme differences in the color and brightness are not found.
- 5) Finally, press the **[APPLY]** key to save the adjusted value. At this time, if the **[STORE]** and **[RECALL]** keys were pressed simultaneously for this processing, the LED calibration value is also written in the factory value area called by RESET ALL.
- 6) After adjusting the color bar, adjust the CH NAME LCD back light and contrast as described hereunder.

[Adjusting CH NAME LCD back light and contrast]

After executing calibration, adjust the CH NAME LCD back light and contrast. If the **[STORE]** and **[RECALL]** keys were pressed simultaneously for this processing, CH NAME LCD back light and contrast are set at the center values by RESET ALL and if only the **[STORE]** key was pressed, the last "applied" values are set by RESET ALL.

CH NAME LCD back light adjustment

- 1) Adjust the brightness of each channel by using the **[CUE]** and **[ON]** keys. Check the brightness of all channels visually and adjust extremely brighter or darker ones to match the brightness of other channels. Pressing the **[CUE]** key once increases the brightness by one step and pressing the **[ON]** key once reduces the brightness by one step. The adjustable range has steps 1 to 11. After the jig calibration, it is set at the center value.
- 2) After adjustment, save the adjusted value by touching the **[APPLY]** button on the screen.

CH NAME LCD contrast adjustment

- 1) Adjust the contrast of each channel by using the **[SEL]** key and **[CUE]** and **[ON]** keys of 1CH ENCODER of CentralLogic. Check the contrast of all channels and adjust extremely different ones to match the contrast of other channels. Turning the 1CH ENCODER of CentralLogic while pressing any **[SEL]** key enables to change the contrast of all channels. If the way of changing to black or white is different, adjust the contrast of that channel by using the **[CUE]** and **[ON]** keys while pressing the **[SEL]** key of that channel. Pressing the **[CUE]** key once makes blacker by one step and pressing the **[ON]** key once makes whiter by one step. The contrast is changed with each 2 channels as one NAME LCD unit. The adjustable range has steps 1 to 25. After the jig calibration, it is set at the center value.
- 2) After adjustment, save the adjusted value by touching the **[APPLY]** button on the screen.

■ カラーバーと CH NAME LCD のキャリブレーション

[STORE] キーを押しながら電源を入れます。ただしシート交換した場合などで RESET ALL でリセットされる FACTORY 値を手動で設定したい場合は [STORE] と [RECALL] キーを同時に押しながら電源を入れます。

この時、MAC アドレス固定のファクトリーモードで立ち上がるのでネットワークからははずしておきます。

どちらも INITIALIZE, TRIM, CALIBRATION などを行う「特殊モード画面」が表示されます。MODE SELECT ボタンのなかから、「CHANNEL COLOR CALIBRATION」をタッチすると、CHANNEL COLOR CALIBRATION のウィンドウが表示されます。ここから以下の手順でカラーバーと CH NAME LCD バックライトを調節します。



- 1) 調整する色を CH COLOR の中から選んでタッチすると、本体のカラーバーが対応した点灯色に変わります。
- 2) 色のばらつきが見られる Ch があった場合、[SEL] Key を押して変更する Ch を選択します。
- 3) CentralLogic の 6ch ~ 8ch のエンコーダーを使って RGB ADJUSTMENT の値を 1ch ごとに調整します。色は、左から Red/Green/Blue の順番になっています。



Red Green Blue

- 4) 色の調整は、全色に渡って確認し、極端な色違いや明るさの違いが無くなるまで実施します。
- 5) 最後に [APPLY] を押して、調整した値を保存します。この時、[STORE] と [RECALL] キーを同時押しでこの処理に入っていた場合は RESET ALL で呼び出されるファクトリー領域にも LED キャリブレーション値が書き込まれます。
- 6) カラーバーの調整後、後述の CH NAME LCD バックライトとコントラストの調整を行ってください。

【CH NAME LCD バックライトとコントラストの調整】

キャリブレーションを行った後、続けて、CH NAME LCD バックライトとコントラストの調整を行います。

なお、[STORE] と [RECALL] キーを同時押しでこの処理に入っていた場合は RESET ALL で CH NAME LCD バックライトとコントラスト中央値となり、[STORE] キー押しだけで入っている場合は RESET ALL で最後に [APPLY] した値になります。

CH NAME LCD バックライトの調整

- 1) [CUE] キーと [ON] キーを使い、CH ごとに輝度調整を行います。調整は、全 CH の輝度を目視で見渡し、明暗の極端なものを周囲の輝度に合わせるやり方とします。[CUE] キー押下ごとに1段ずつ上がり、[ON] キー押下ごとに1段ずつ下がります。1 から 11 の調整幅があり、治具でのキャリブレーション後は中央値になっています。
- 2) 変更した場合は画面の [APPLY] ボタンをタッチし、調整した値を保存します。

CH NAME LCD コントラストの調整

- 1) [SEL] キー、CentralLogic の 1CH の ENCODER, [CUE] キーと [ON] キーを使い、CH ごとにコントラスト調整を行います。調整は、全 CH のコントラストの極端なものを周囲に合わせるやり方とします。CentralLogic の 1CH の ENCODER をどれかの [SEL] を押しながら回すことで全 CH のコントラストを変えて見ることができます。その時に黒くなって行き方や白くなって行き方が違う CH はその CH の [SEL] を押しなら [CUE] キー押下ごとに1段ずつ黒くなり、[ON] キー押下ごとに1段ずつ白くなります。これは NAME LCD ユニットで1つなので 2CH 分ずつ変更されます。1 から 25 の調整幅があり、治具でのキャリブレーション後は中央値になっています。
- 2) 変更した場合は画面の [APPLY] ボタンをタッチし、調整した値を保存します。

■ SCREEN SHOT (スクリーンショット)

- 1) Touch the SETUP characters at the upper part of the [SETUP] screen 7 times, and the [Capture Mode] message appears at the bottom of the screen and the capture mode is activated.
 - 2) Insert the USB memory into the USB connector.
 - 3) Press USER DEFINED KEY [1].
 - 4) The current screen data will be stored in the USB memory.
 - 5) Press the SETUP characters for a long time, the [Normal Mode] message appears at the bottom of the screen and returns to the normal mode. (Same as when the power is restarted.)
- 1) [SETUP] 画面の上部 SETUP 文字部分を7回タッチすると、「Capture Mode.」と画面下にメッセージが出て、キャプチャーモードになります。
 - 2) USB 端子に USB メモリーを挿入します。
 - 3) USER DEFINED KEY の [1] を押します。
 - 4) USB メモリーに現在の画面のデータが保存されます。
 - 5) 再度、SETUP 文字部分を長押しすると「Normal Mode.」と画面下にメッセージが出て、通常モードに戻ります。(電源の再起動でも同様)

■ UPDATING DANTE MODULE (Brooklyn2)

1) Preparation

For the updating procedure and settings of the main unit, please refer to Firmware Update Guide found in our web-site.

2) Required items

PC: 1 unit, Windows XP with Ethernet port, Windows Vista or Windows 7

Cable: Ethernet (CAT5e) straight cable 1 pc.

3) Application

Dante Firmware Update Manager

Stored in %driver in Updata (CL_updata)

When DanteFirmwarUpdateManager***.msi is executed, the updata will be installed.

(*** represents the version number)

- * Premise: Bonjour is installed and operates properly.
- * If the version of the firmware is not the latest one, update it to the latest.

4) Connection

Connect the PC and the primary port of CL with the Ethernet (CAT5e) straight cable.

- * Only the above connection is required and nothing should be connected to any other terminal.

3) Selecting Firmware

Select the firmware to be updated. Press the **[BROWSE]** button and the file selection message will appear. Select FWUpdate_???_vxxxx_swxxx.dnt in brooklyn2% in Updata (CL_Updata). (xxxx, xxx, represent version numbers and ??? model name.)

The image here shows that of Rio3224-D but same with CL except the file name/device name to be updated.

Check Override Device Matching.

- The DANTE firmware will fail to operate properly if a multi-byte character (including Japanese) is included in its path. If a directory name including a multi-byte character exists in the computer, save the firmware update file in the directory including only ASCII characters. (Example: C:\temp, etc.)



Caution:

Use of an update file other than CL will prevent the unit from operating. Make sure that the file to be updated is applicable to CL. Usually, don't check Override Device Matching. When it is not checked, only the unit applicable to the file is selected, thus avoiding a wrong file from being updated.

● Updating Procedure

1) Turning on the power of CL.

Use the normal starting for updating.

2) Starting Application

If the Dante Controller has been activated, turn it off and then using Firmware Update Manager provided by Audinate, execute updating of the DANTE firmware.

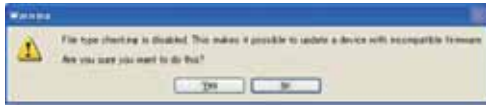
Start updating by using following buttons in that order.

[Start] → [All programs] → [Audinate] → [Dante Firmware Update Manager] → [Dante Firmware Update Manager].

- * Confirm that the title version is 1.3.2 or after.
- * When using Windows 7, the [User account control] dialog box may appear. Then click [Continue] or [Yes].



If Override Device Matching is being checked when the **[Next]** button is pressed, a message that the file type check is disabled appears. Then, press the “Yes” button.



4) Selecting Device

When CL connected to the network is found, it will be included in the list of items to be updated. Put a check mark at the left end of CL to be updated. At this time, do not select more than one CLs. Execute updating one by one.



5) Executing updating

When the **[START]** button is pressed, a pop-up to confirm updating will appear. While updating, use care so that no network disconnection or CL power interruption occurs. Pressing the **[OK]** button will start updating.



While updating, the screen display is as shown below (“Updating (1/1)” is indicated in the Status column.)



6) Completion of updating

When updating is over, a popup confirming it will appear.



Press the **[OK]** button, and the screen display will be as shown below.

(“Update Done” is indicated in the Status column)



7) End of application

Press the X mark to end the application

● Confirmation of model name

Check to make sure that the model name is correct by referring to Device Status of DANTE CONTROLLER.

● Updating Procedure

If an error message is indicated in the status column, do not turn off the power switch of CL but execute the updating procedure again.

■ DANTE モジュール (Brooklyn2) のアップデート

1) 準備

アップデートの手順や本体の設定については、ウェブサイトを用意されているファームウェアアップデートガイドをご参照ください。

2) 必要機材

パソコン：Ethernet ポートを搭載した Windows XP、Vista、7 いずれかのパソコン 1 台
ケーブル：Ethernet (CAT5e) ストレートケーブル 1 本

3) アプリケーション

Dante Firmware Update Manager

アップデータ (CL_Updata) 内

¥driver に格納されています。

DanteFirmwareUpdateManager***.exe を実行するとアップデータがインストールされます。

(*** はバージョン番号)。

※ Bonjour が正常にインストールされ、動作していることが前提です。

※ ファームウェアのバージョンが最新でない場合は、最新にアップデートしてください。

4) 接続方法

パソコンと CL の Primary ポートを Ethernet(CAT5e) ストレートケーブルで接続します。

※ 上記のみを接続し、それ以外の端子には何も接続しません。

● アップデート手順

1) CL の電源オン

通常起動してアップデートを実施します。

2) アプリケーションの起動

Dante Controller を起動していた場合は、これを終了してから、Audinate 社提供の Firmware Update Manager にて DANTE ファームウェアのアップデートを実施します。

[スタート]→[すべてのプログラム]→[Audinate]→[Dante Firmware Update Manager] → [Dante Firmware Update Manager] ボタンでアップデート作業を開始します。

※ タイトルバーでバージョンが 1.3.2 以降であることを確認してください。

※ Windows 7 で「ユーザーアカウント制御」ダイアログボックスが表示されることがあります。[続行]または[はい]をクリックしてください。



3) ファームウェアの選択

アップデート対象となるファームウェアを選択します。[Browse] ボタンを押すことでファイル選択ダイアログが表示されます。アップデータ (CL_Updata) 内 brooklyn2¥にある FWUpdate_??_vxxxx_swxxx.dnt を選択します (xxxx, xxx はバージョン番号, ?? は機種名)。画像は Rio3224-D のものですが、ファイル名 / アップデート対象デバイス名以外は CL も同様です。Override Device Matching をチェックします。

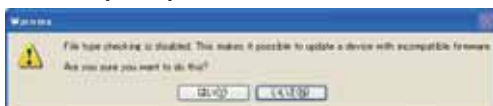
- Dante ファームウェアはパスにマルチバイト (日本語含む) が含まれていると、正しく動作しません。もしコンピューターにマルチバイト文字を含むディレクトリ名が存在する場合は、ASCII 文字のみを含むディレクトリにファームウェアアップデートファイルを保存するようにしてください。

(例：C:¥temp など)



注意：CL 以外のアップデートファイルを適用した場合、機器が動作しなくなります。くれぐれもアップデートファイルが CL に適合していることをご確認ください。通常は [Override Device Matching] にチェックを入れないでください。チェックを入れていない状態ではファイルに対応した機器のみ選択でき、間違ったファイルでアップデートすることを防ぎます。

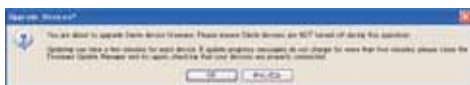
[Next] ボタンを押したとき、Override Device Matching をチェックしているとファイルタイプ照合を無視することを確認するポップアップが表示されます。ここでは [はい] ボタンを押します。



- 4) デバイスの選択
ネットワーク接続された CL が見つかり、アップデート対象として一覧表示されます。対象となる CL の左端にチェックをつけます。この時複数選択はせずに、1 台ずつアップデート作業を行います。



- 5) アップデート実施
[Start] ボタンを押すことでアップデート確認のポップアップが表示されます。アップデート中はネットワーク断線や CL 電源断の無いよう注意します。[OK] ボタンを押すとアップデートが開始されます。



アップデート中は以下の表示となります (Status 欄に “Updating (1/1)” を表示)。



- 6) アップデート完了
アップデートが完了すると確認のポップアップが表示されます。



[OK] ボタンを押すと以下の画面表示となります (Status 欄に “Update Done” を表示)。



- 7) アプリケーションの終了
×印を押してアプリケーションを終了します。

●機種名確認

DANTE CONTROLLER の Device Status で、機種名があっていることを確認します。

●アップデート失敗時

Status 欄に Error 表示があった場合、CL の電源オフはしないで、アップデートの手順を再度実行します。

■ DANTE SOUND OUTPUT CHECK

Described below is the method to check Dante of CL5(Rio3224-D) using the DVS.

Outline:

- Using the PC with Dante Virtual Soundcard installed, input the sound signal through DANTE input and check PHONES OUT by hearing.
- Check the sound signal of DANTE output with the PC by hearing.
- Use the Cubase to input the music signal through the DANTE input.

Preparation:

- PC (with Dante Virtual Soundcard and Dante Controller installed)
The software is available from the Audinate Web site.
<http://www.audinate.com/>

- 1) Connect Dante (Primary) of the CL main unit and PC with the Ether cable.
- 2) Activate the Dante Virtual Soundcard and turn on the switch with the power source mark of the Setting tab.
- 3) Activate the Dante Controller and turn on the Patch as shown below.



- 4) Activate the Cubase.
- 5) Check the Dante output from CL.
With the CL, turn on the OSCILLATOR Output button on the monitor screen.
With the Rio, input the signal to the XLR input terminal.

Record the input signal of the track which is assigned to the Cubase Dante input.

Confirm that no noise is produced for 15 seconds.

Check the Dante input/output sound by every 4 channels.
As CL5 has 64 channels (32 channels for Rio3224-D),

check signal lines of all channels (or every 4 channels) by changing the patch setting.

- 6) Check the Dante input to CL.
Have the sound reproduced with the Cubase.

Check the input signal of the channel which is assigned to the Dante input of CL (or Rio) by hearing. Confirm that no noise is produced for 15 seconds.

Just like the input check, check the sound of the Dante input/output by every 4 channels.

As CL5 has 64 channels (32 channels for Rio3224-D), check signal lines of all channels (or every 4 channels) by changing the patch setting.

■ DANTE 音出し検査

CL5 (Rio3224-D) の Dante を DVS を用いて検査する方法です。

概要

- Dante Virtual Soundcard をインストールしたパソコンを使い、DANTE 入力から音声信号を入れ、PHONES OUT を検聴します。
- DANTE 出力の音声信号を PC にて検聴します。
- DANTE 入力から音楽信号を入れるため、Cubase を使用します。

準備

- パソコン
(Dante Virtual Soundcard、Dante Controller をインストール済み)
ソフトウェアは、Audinate ウェブサイトから入手できます。
<http://www.audinate.com/>

- 1) CL 本体の Dante (Primary) と PC を Ether ケーブルで接続します。
- 2) Dante Virtual Soundcard を起動し、Setting タブの電源マークのスイッチを ON にします。
- 3) Dante Controller を起動し、下記のように Patch を ON にします。



- 4) Cubase を起動します。
- 5) CL からの Dante 出力をチェックします。
CL の場合、Monitor 画面の OSCILLATOR の Output ボタンを ON にします。
Rio の場合は、XLR インプット端子に、信号を入力します。

Cubase の Dante インプットにアサインしたトラックの入力信号を録音します。
15 秒間ノイズが出ないことを確認します。

各 4ch ごとに Dante 入出力の音声をチェックしてください。

CL5 は 64ch 分 (Rio3224-D は 32ch 分) あるため、順にパッチの設定を変えて、全 ch (もしくは、4ch ごと) の信号ラインで確認してください。

- 6) CL への Dante 入力をチェックします。
Cubase で、音声を再生します。

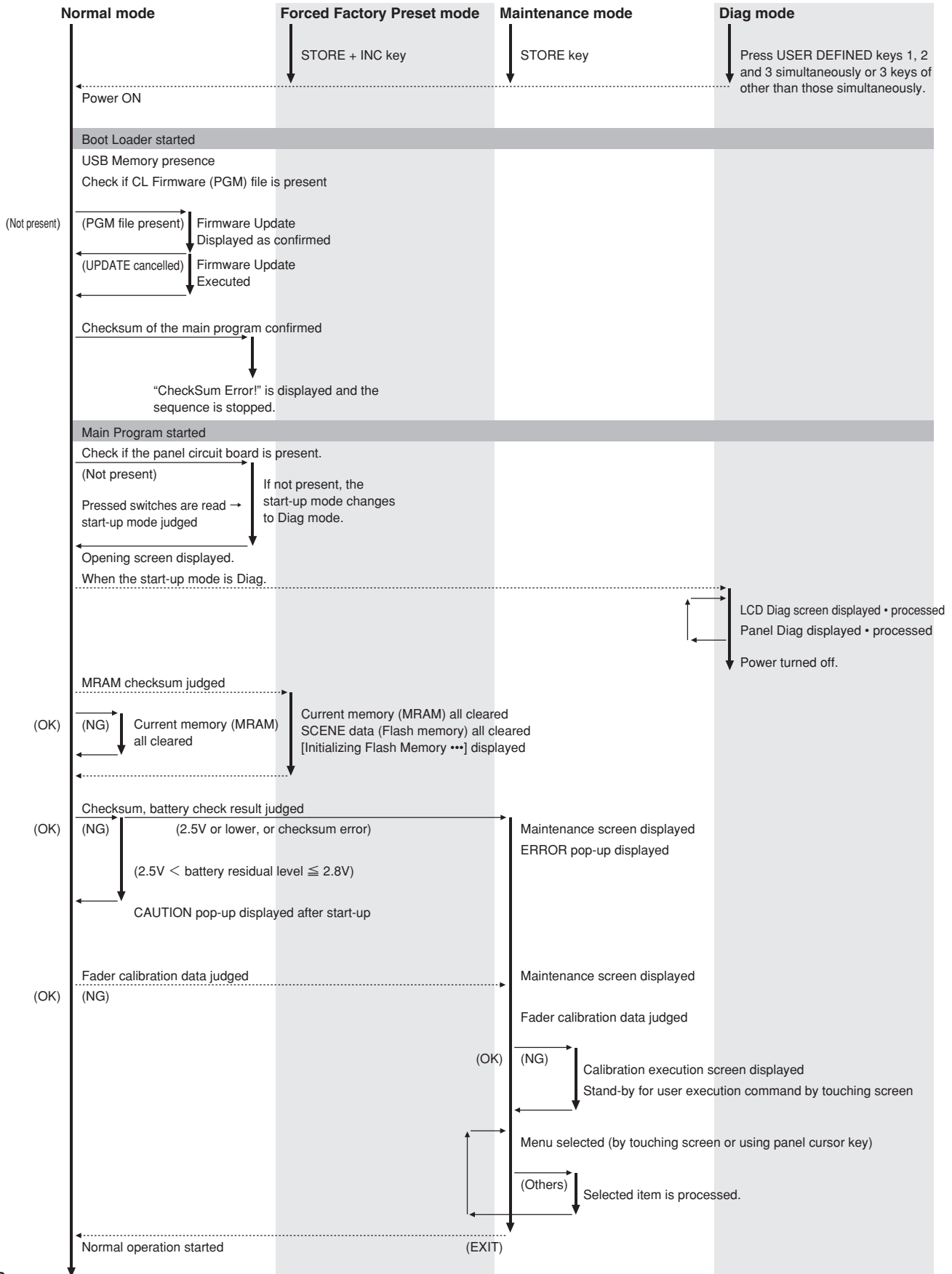
CL (もしくは Rio) の Dante 入力にアサインしたチャンネルの入力信号を検聴します。
15 秒間ノイズが出ないことを確認します。

入力の検査同様に、各 4ch ごとに Dante 入出力の音声をチェックしてください。

CL5 は 64ch 分 (Rio3224-D は 32ch 分) あるため、順にパッチの設定を変えて、全 ch (もしくは、4ch ごと) の信号ラインで確認してください。

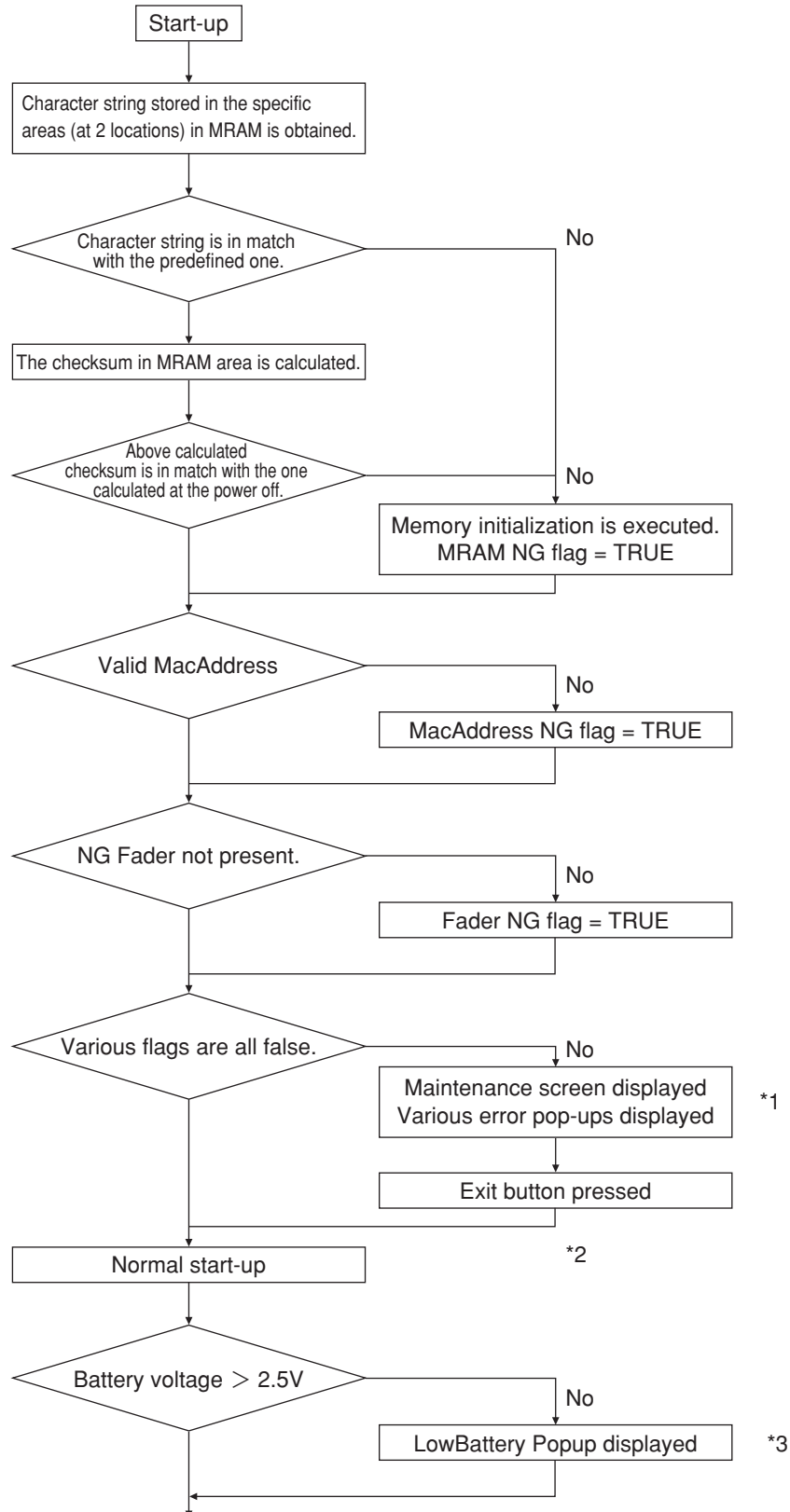
STARTING SEQUENCE

Start mode (Flow)



● Flow of hardware check at start-up

Shown below is the workflow for checking hardware such as MRAM, battery voltage, etc. when they are started immediately after start-up of the unit.



*1 When the screen changes to the initialization menu screen, if there were more than one NG factors, the error pop-up is displayed according to the priority as described below.
(Such factors are all in the log internally but there is no way to show the log at present.)

Note that only the highest priority error pop-up is displayed. Therefore, if more than one-error factors have occurred at the same time, it is necessary to correct one error factor at a time and restart.

MacAddress NG > Memory Error flag > LowBattery flag

The specific error pop-up for each error factor is as follows.

For MacAddress NG: "Illegal MAC Address! Cannot Use Ethernet."
 For MemoryError: "Memory Error! All Memories Initialized."
 For LowBattery: "Low Battery!"

When the screen changes to the initialization menu screen, the screen usually appears with Initialize All Memories item selected but when Fader NG has occurred, the screen appears with Fader Calibration item selected.

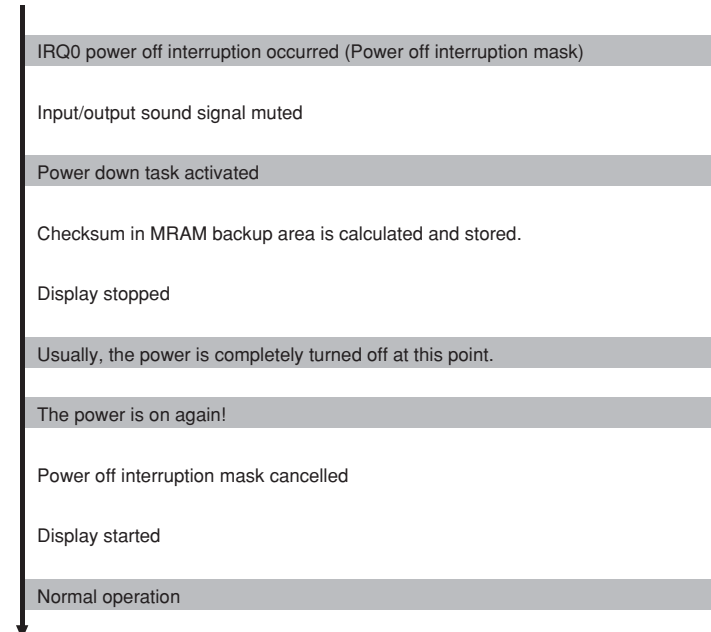
*2 On the SETUP screen after normal start-up, the battery condition is indicated according to the detected voltage based on the following criteria. The voltage is measured at 1-minute intervals.

2.5V or lower	NO	Battery backup not possible
2.8V or lower	LOW	Time to replace battery
3.5V or lower	OK	Normal

*3 Even when the unit is started normally, if the battery replacement time is reached, Low Battery! error pop-up is displayed. However, if Low Battery! error popup has already been on the initialization menu screen, it is not displayed for the duplication reason.

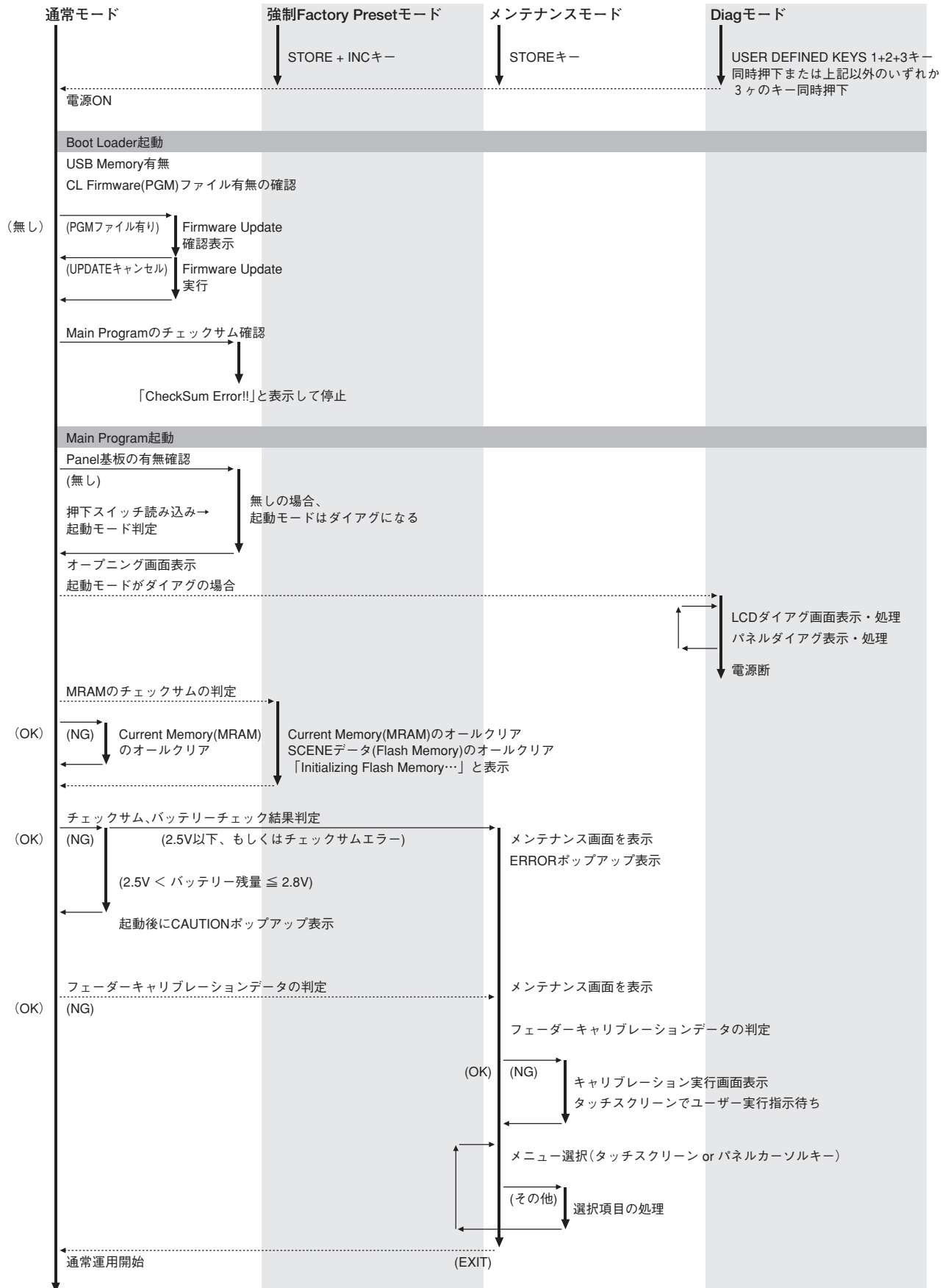
● Ending Sequence

Power turned off



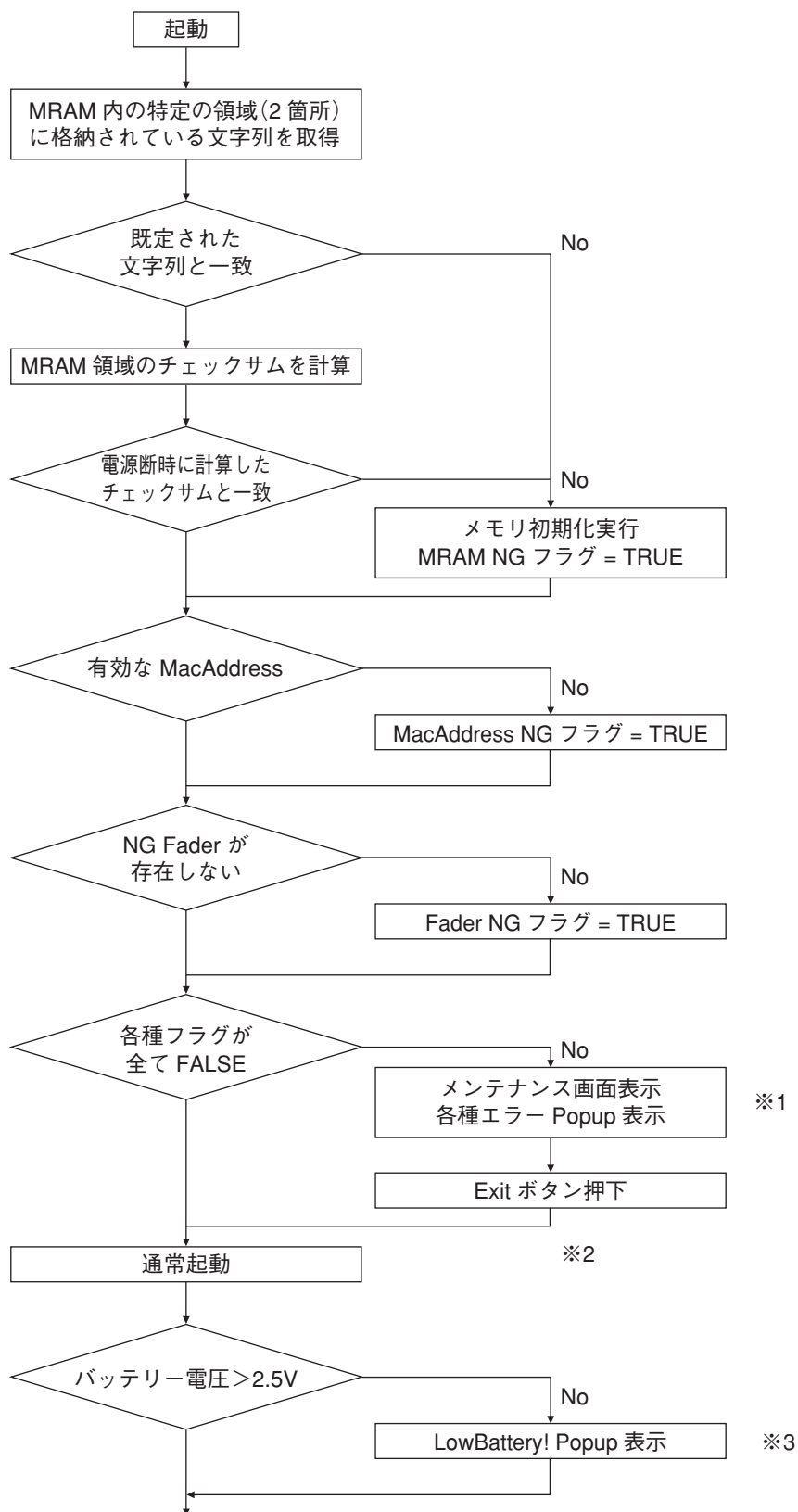
■ 起動シーケンス

● 起動モード (フロー)



● 起動時ハードウェアチェックフロー

起動直後の MRAM、バッテリー電圧チェック等の起動時ハードウェアチェックフローを示します。



- ※ 1 初期化メニュー画面表示に切り替わる際、NG 要因が複数であった場合は下記の優先度でエラー Popup 表示する。
(内部的には要因を全てログに残しているが現状そのログを表示する手段がない)

エラー Popup は一番優先度の高いものしか出ないので、複数要因が同時に発生している場合は一つずつ要因を修正して再起動する必要がある点に注意。

MacAddress NG > MemoryError フラグ > LowBattery フラグ

各エラー Popup の内容は下記の通り。

MacAddress NG 時	“Illegal MAC Address! Cannot Use Ethernet.”
MemoryError 時	“Memory Error! All Memories Initialized.”
LowBattery 時	“Low Battery!”

なお、初期化メニュー画面表示に移行する際は、通常 Initialize All Memories の項目が選択された状態でメニュー画面に移行するが、Fader NG 時は自動的に FaderCalibration の項目が選択された状態で移行する。

- ※ 2 通常起動した後の SETUP 画面でのバッテリー状態表示欄は、検知電圧に応じて下記の基準で表示される。
なお、電圧計測は 1 分ごとに行っている。

2.5V 以下	NO	バッテリーバックアップ不可能
2.8V 以下	LOW	交換時期
3.5V 以下	OK	通常

- ※ 3 通常起動した場合にもバッテリー交換時期にある場合は Low Battery! エラー Popup を表示する。
ただし、すでに初期化メニュー画面で Low Battery! エラー Popup が出ている場合は、重複するのでここでは表示しない。

● 終了シーケンス

電源オフ

IRQ0 パワーオフ割り込み発生 (パワーオフ割り込みマスク)

入出力の音声信号ミュート

パワーダウンタスク起床

MRAMのバックアップ領域のチェックサムを計算して保存する。

表示停止

通常はここで完全に電源がオフになる。

電源が復帰した!

パワーオフ割り込みマスク解除

表示開始

通常動作

■ MEMORY INITIALIZATION (メモリ初期化)

● Details of initialization contents

Initialization method	Initialization applicability								
	Flash ROM								
	Scene data (Scene 1-300)	Library data (EQ, Effect, GEQ, etc.)	Touch Pane Calibration data	Fader Calibration data	Channel Color Calibration data	Channel Name Backlight Calibration data	User Bitmap data	Mac address	Model name
Start while pressing STORE key, select "INITIALIZE ALL MEMORIES" from LCD screen menu and execute it.	○	○	×	×	×	×	○	×	×
Start while pressing STORE key, select "INITIALIZE CURRENT MEMORIES" from LCD screen menu and execute it.	×	×	×	×	×	×	×	×	×
FORCED INITIALIZATION (Factory default) Start while pressing STORE and INC keys.	○	○	×	×	×	×	○	×	×
Automatically initialized along with a change in the memory structure	×	×	×	×	×	×	×	×	×
Automatically initialized when started due to MRAM checksum error	×	×	×	×	×	×	×	×	×

Initialization method	Initialization applicability					
	MRAM					
	Current Memory (Mixer parameters in general)	DIO status	Setup Data	Port Trim	Dante Setup -CONSOLE ID -SECONDARY PORT mode	Dante module (Brooklyn II) setting data
Start while pressing STORE key, select "INITIALIZE ALL MEMORIES" from LCD screen menu and execute it.	○	×	○	○	×	×
Start while pressing STORE key, select "INITIALIZE CURRENT MEMORIES" from LCD screen menu and execute it.	○	×	○	○	×	×
FORCED INITIALIZATION (Factory default) Start while pressing STORE and INC keys.	○	○	○	○	○	○
Automatically initialized along with a change in the memory structure	○	○	○	○	○	○
Automatically initialized when started due to MRAM checksum error	○	○	○	○	○	○

○ : Initialized
× : Not initialized

● 初期化内容詳細

初期化方法	初期化対象								
	Flash ROM								
	Scene データ (Scene 1-300)	Library データ (EQ, Effect, GEQ etc)	Touch Panel Calibration データ	Fader Calibration データ	Channel Color Calibration データ	Channel Name Backlight Calibration データ	User Bitmap データ	Mac アドレス	モデル名 (機種判別)
STORE キーを押しながら起動し、LCD 画面メニューから「INITIALIZE ALL MEMORIES」を選択、実行	○	○	×	×	×	×	○	×	×
STORE キーを押しながら起動し、LCD 画面メニューから「INITIALIZE CURRENT MEMORIES」を選択、実行	×	×	×	×	×	×	×	×	×
強制初期化（工場出荷時） STORE キー+INC キーを押しながら起動	○	○	×	×	×	×	○	×	×
メモリ構造の変更に伴う自動初期化	×	×	×	×	×	×	×	×	×
MRAM チェックサム不正による起動時の自動初期化	×	×	×	×	×	×	×	×	×

初期化方法	初期化対象					
	MRAM					
	Current Memory (ミキサーパラ メータ全般)	DIO ステータス	Setup Data	Port Trim	Dante Setup -CONSOLE ID -SECONDARY PORT mode	Dante module (Brooklyn II) setting data
STORE キーを押しながら起動し、LCD 画面メニューから「INITIALIZE ALL MEMORIES」を選択、実行	○	×	○	○	×	×
STORE キーを押しながら起動し、LCD 画面メニューから「INITIALIZE CURRENT MEMORIES」を選択、実行	○	×	○	○	×	×
強制初期化（工場出荷時） STORE キー+INC キーを押しながら起動	○	○	○	○	○	○
メモリ構造の変更に伴う自動初期化	○	○	○	○	○	○
MRAM チェックサム不正による起動時の自動初期化	○	○	○	○	○	○

○：初期化する
×：初期化しない

● Data and Memory Area (データとメモリエリア)

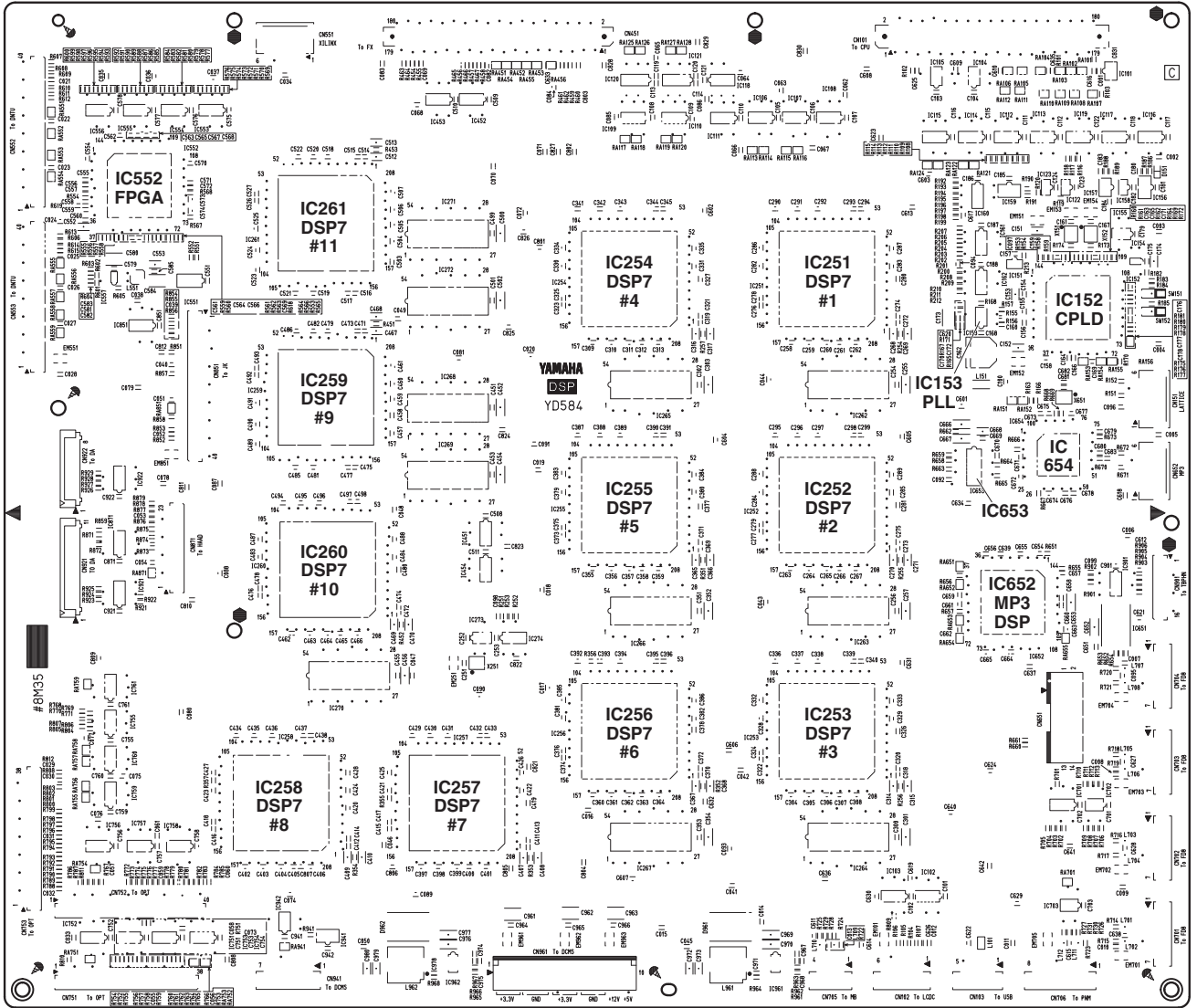
Circuit Board	Stored Area	Data
CPU	MRAM	Current scene Setup data Dante Patching (CL+RIO+DVS) PORT TRIM data DIO status
	Flash ROM	SCENE 1-300 data LIBRARY data (EQ, Effect, GEQ etc) Calibration Data (Touch Panel, FADER, Channel Color ,Channel Name Backlight) User Bitmap MAC address (Network) Firmware (CPU Boot, CPU Main) Model Name, Serial Number
	RTC	Real time clock * The RTC requires the internal battery.
Dante Module (Brooklyn2) 64	Dante Module (Brooklyn2) 64	Brooklyn2 Version (Soft/Firm/Yamaha) Brooklyn2 MAC address x2 (Pri/Sec)
DNTU	Flash ROM	Firmware (DNTU Boot, DNTU Program) MAC address

■ LIST OF FUNCTIONS OF DSP ICS OF DSP/FX CIRCUIT BOARD AND CORRESPONDING SDRAMS (DSP/FX シートの各 DSP IC の機能と対応 SDRAM の一覧表)

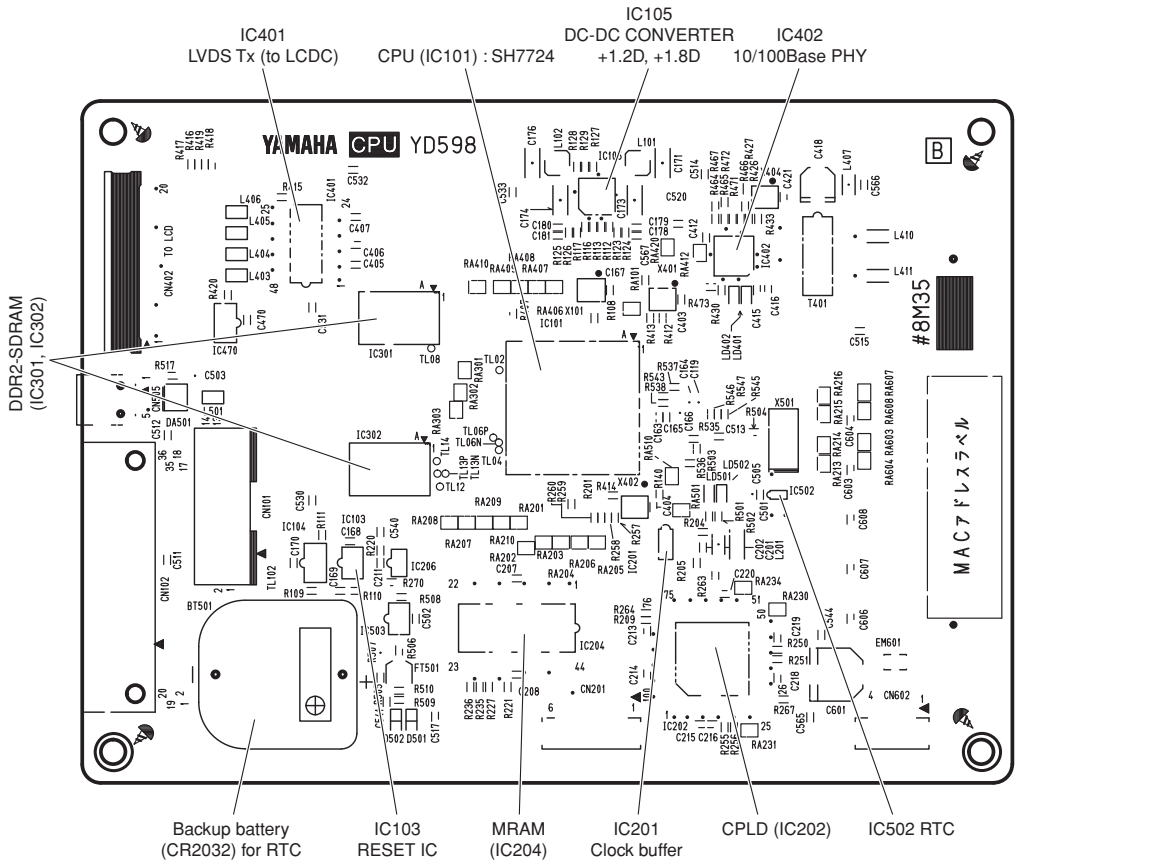
● List of DSP (DSP 一覧)

Circuit Board	IC	Location	Function	SDRAM (No SDRAM= No DELAY)
DSP	DSP 7#1	IC251	INPUT 1-16	SDRAM*1 IC262
	DSP 7#2	IC252	INPUT 17-32	SDRAM*1 IC263
	DSP 7#3	IC253	INPUT 33-48	SDRAM*1 IC264
	DSP 7#4	IC254	INPUT 49-64	SDRAM*1 IC265
	DSP 7#5	IC255	INPUT ST1L-4R、RTN1L-4R	SDRAM*1 IC266
	DSP 7#6	IC256	INPUT 65-72, OMNI IN, HA control	SDRAM*1 IC267
	DSP 7#7	IC257	MIX, MAT SUMMING, 15GEQ29-36, OSC	None
	DSP 7#8	IC258	MIX1-24, ST, LRC, CUE, MONI	None
	DSP 7#9	IC259	MATRIX, 15GEQ21-28, 37-38	SDRAM*2 IC268, IC269
	DSP 7#10	IC260	INS SEL, 15GEQ1-20	SDRAM*1 IC270
	DSP 7#11	IC261	DIRECT, OUT, DANTE	SDRAM*2 IC271, IC272
FX	DSP 6#1	IC201	FX 1-4	
	DSP 6#2	IC202	FX 5-8	
	DSP 6#3	IC203	FX 9-12	
	DSP 6#4	IC204	FX 13-16	
	SHARC	IC101	Premium Rack	

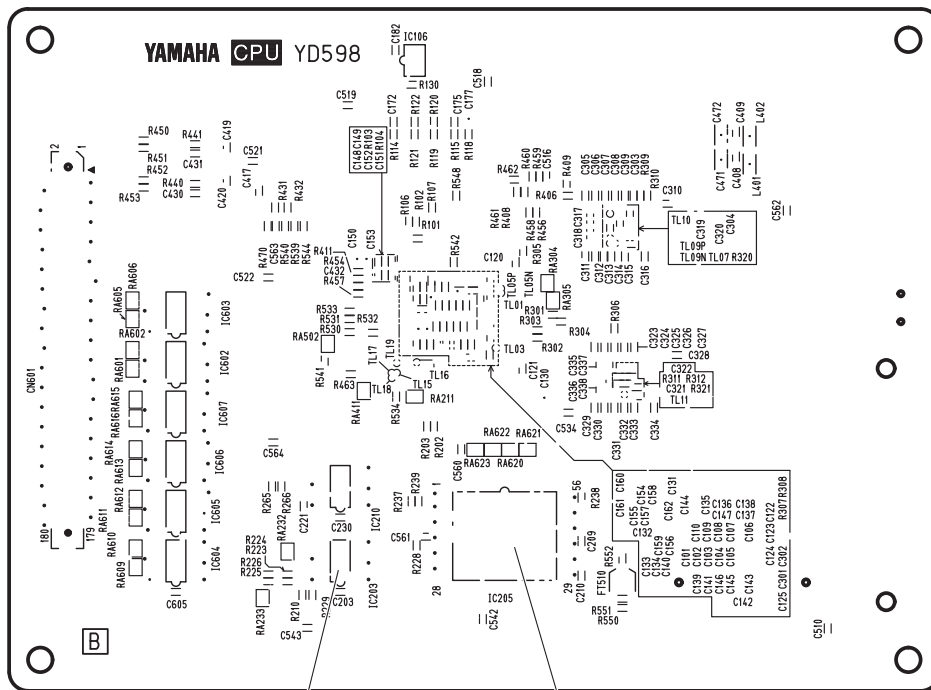
DSP Circuit Board



CPU Circuit Board



Component side (部品側)



Pattern side (パターン側)

■ REQUIRED ITEMS FOR REPLACEMENT OF CPU CIRCUIT BOARD AND REPLACEMENT PROCEDURE

- 1) Calibrations

Fader calibration:	See page 145 of Service Manual.
Touch screen calibration:	See page 144 of Service Manual
Channel Color Calibration:	See page 147 of Service Manual

* After replacing the parts of LCD assembly, color bar and CH NAME LCD, FD8/FD8CN/FD2 circuit board and fader unit, be sure to execute calibration of the replacement parts.
- 2) Updating Firmware See page 140.
 The service parts are not subject to the firmware control. After their replacement, be sure the upgrade the version to the latest firmware.
- 3) Inputting Model Name
 The CPU circuit board is commonly usable with CL1, CL3 and CL5. To identify the part for each model, write the model identification file on the CPU circuit board when updating the firmware, using the following procedure.

Writing Procedure

- 4) Copy the file of the applicable model to the root directory of the USB STORAGE.
 Download the files from YSISS. (Do not put a multiple number of files together.)
 - CL5: CL5NAME.BIN
 - CL3: CL3NAME.BIN
 - CL1: CL1NAME.BIN
- 5) Insert the USB memory into the USB terminal of the CL main unit and turn on the power.
- 6) If the program of the main unit is activated, writing has been completed. (Nothing like a confirmation message appears before writing.)
 - Once the model name has been written, it is not necessary to write again unless cleared by accident.
 - Updating the firmware and writing of the model name can be executed at the same time.
 - Even if updating is cancelled, the model name will be written. (It is not possible to cancel writing of the model name.)
 - Unless necessary, delete the file of the above model name: CL5/3/1 NAME. BIN from the USB. (Or, writing will be necessary every time updating the program.)
- 7) Set the date and time of the internal clock. See page 35 of Owner's Manual

■ CPU シート交換後に必要な項目と手順

- 1) 各キャリブレーション

フェーダーキャリブレーション:	サービスマニュアル: See page 146
タッチスクリーンキャリブレーション:	サービスマニュアル: See page 144
チャンネルカラーキャリブレーション:	サービスマニュアル: See page 148
- ※ LCD Ass'y、カラーバーと CH NAME LCD、FD8/FD8CN/FD2 シートとフェーダーユニットの部品交換した時も必ず交換した部品のキャリブレーションを実施してください。
- 2) ファームウェアのアップデート See page 141
 サービスパーツは、ファームウェアの管理をしていません。交換後は、最新のファームウェアにバージョンアップをしてください。
- 3) モデル名入力
 CPU 基板は、CL1,CL3,CL5 と共通パーツです。各モデルに対応するため、モデル識別ファイルを CPU シートに以下手順で、Firmware のアップデートの時に書き込んでください。

書込手順

- 1) 該当するモデルのファイルを USB STORAGE のルートディレクトリに COPY してください。
 ファイルは、YSISS からダウンロードしてください。(複数のモデルのファイルを一緒に入れないでください)
 - CL5: CL5NAME.BIN
 - CL3: CL3NAME.BIN
 - CL1: CL1NAME.BIN
- 2) USB メモリーを CL 本体の USB 端子に挿し、電源を入れます。
- 3) 本体プログラムが起動すれば、書き込みは完了しています。(書き込み前にコンファメーション等は出ません)
 - 一度モデル名を書き込めば、事故で消えない限りは書き込む必要はありません。
 - Firmware のアップデートとモデル名の書き込みは同時に行うことができます。
 - アップデートを CANCEL してもモデル名の書き込みは行われます。(モデル名の書き込みを CANCEL することはできません)
 - 必要な時以外は上記モデル名のファイル: CL5/3/1 NAME.BIN は USB から削除してください。(アップデートの度に書き込むこととなります)
- 4) 内蔵時間の日時を設定してください。取扱説明書: See page 35

DIGITAL MIXING CONSOLE

CLS

PARTS LIST


■ CONTENTS (目次)


OVERALL ASSEMBLY (総組立)	2
BOTTOM U3 ASSEMBLY (ボトム U3 Ass'y)	4
CONTROL PANEL U3 ASSEMBLY (コンパネ U3 Ass'y)	12
POWER SUPPLY ASSEMBLY (電源 Ass'y)	18
PS FAN ASSEMBLY (PS ファン Ass'y)	19
AC ASSEMBLY (AC アセンブリ)	20
OPT ASSEMBLY (OPT Ass'y)	21
PN8 ADDED BUTTON (PN8 ボタン付)	22
PNENL ADDED BUTTON (PNENL ボタン付)	22
PNICOM ADDED BUTTON (PNICOM ボタン付)	23
PNMCOM ADDED BUTTON (PNMCOM ボタン付)	23
ELECTRICAL PARTS (電気部品)	24-96

Notes : DESTINATION ABBREVIATIONS

A : Australian model	M : South African model
B : British model	O : Chinese model
C : Canadian model	P : Brazilian model
D : German model	Q : South-east Asia model
E : European model	T : Taiwan model
F : French model	U : U.S.A. model
H : North European model	V : General export model (110V)
I : Indonesian model	W : General export model (220V)
J : Japanese model	N,X : General export model
K : Korean model	Y : Export model

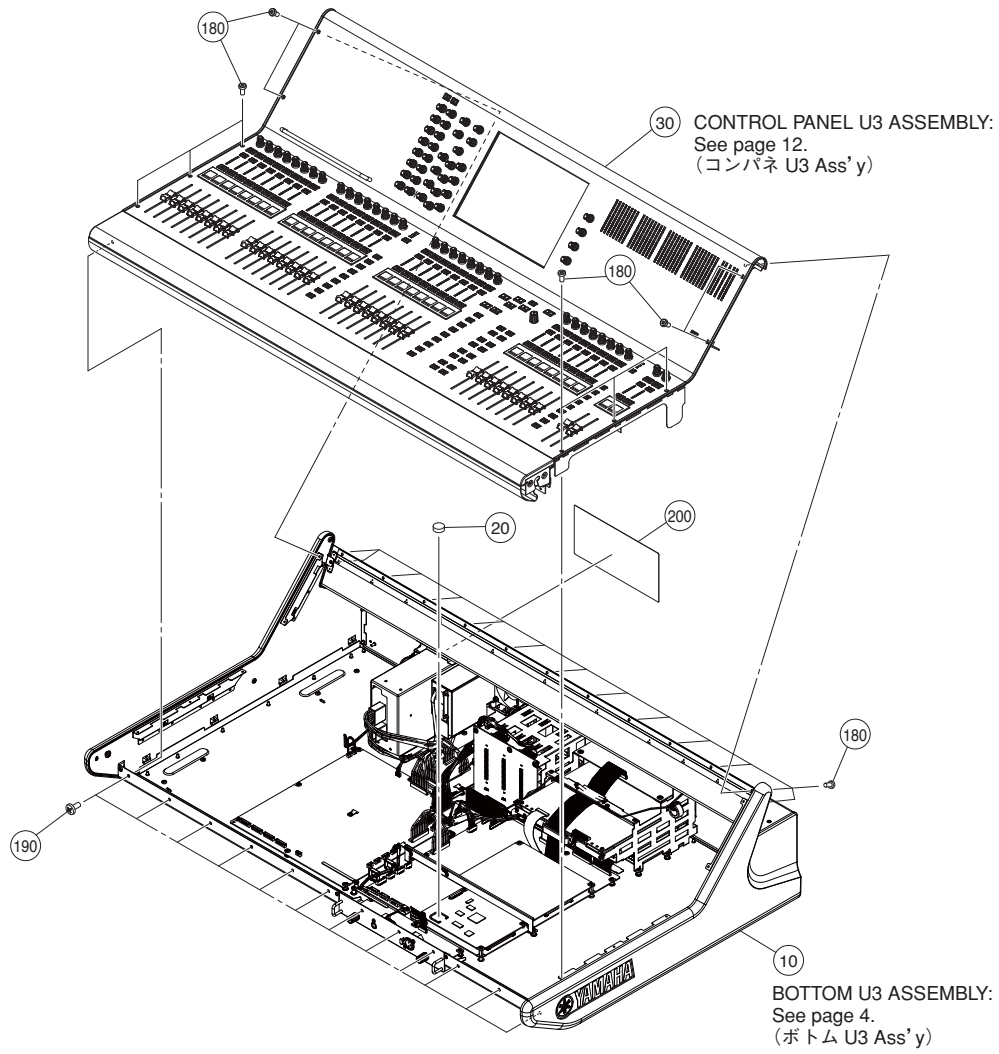
■ WARNING

Components having special characteristics are marked  and must be replaced with parts having specification equal to those originally installed.

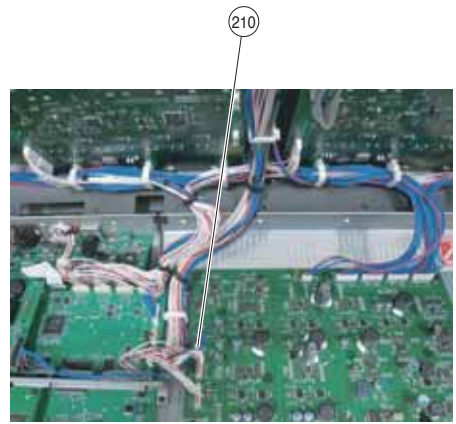
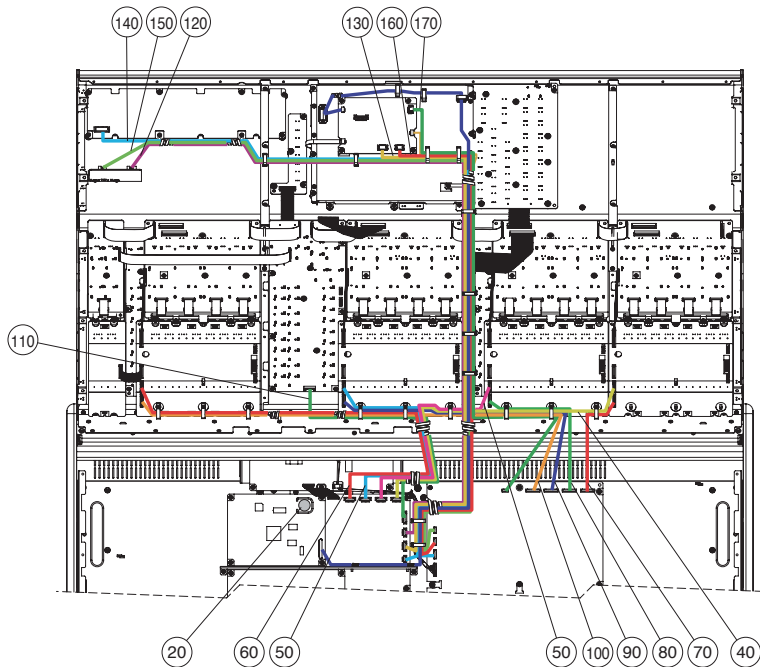
 印の部品は、安全を維持するために重要な部品です。交換する場合は、安全のために必ず指定の部品をご使用ください。

- The numbers "QTY" show quantities for each unit.
- The parts with "--" in "PART NO." are not available as spare parts.
- This mark "}" in the REMARKS column means these parts are interchangeable.
- The second letter of the shaded (■) part number is O, not zero.
- The second letter of the shaded (■) part number is I, not one.
- 部品価格ランクは、変更になることがあります。
- QTY 欄に記されている数字は、各ユニット当たりの使用個数です。
- PART NO. が "--" の部品は、サービス用部品として準備されておりません。
- REMARKS 欄の 「}」 マークの部品は、併用部品です。
- 網掛けの付いた PART NO. の 2 番目の文字は「ゼロ」ではなく、「オー」です。
- 網掛けの付いた PART NO. の 2 番目の文字は「イチ」ではなく、「アイ」です。

OVERALL ASSEMBLY (総組立)

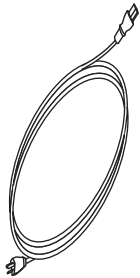


● WIRING (配線図)

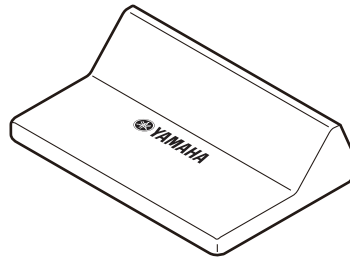


● ACCESSORIES (付属品)

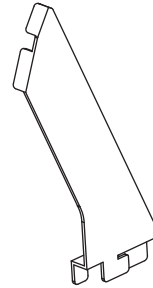
CORD POWER SUPPLY
(電源コード)



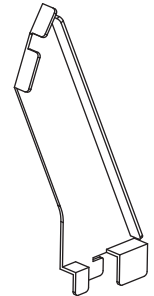
DUSTCOVER U3
(ダストカバー U3)



SERVICE STAY L
(サービステイ L)



SERVICE STAY R
(サービステイ R)

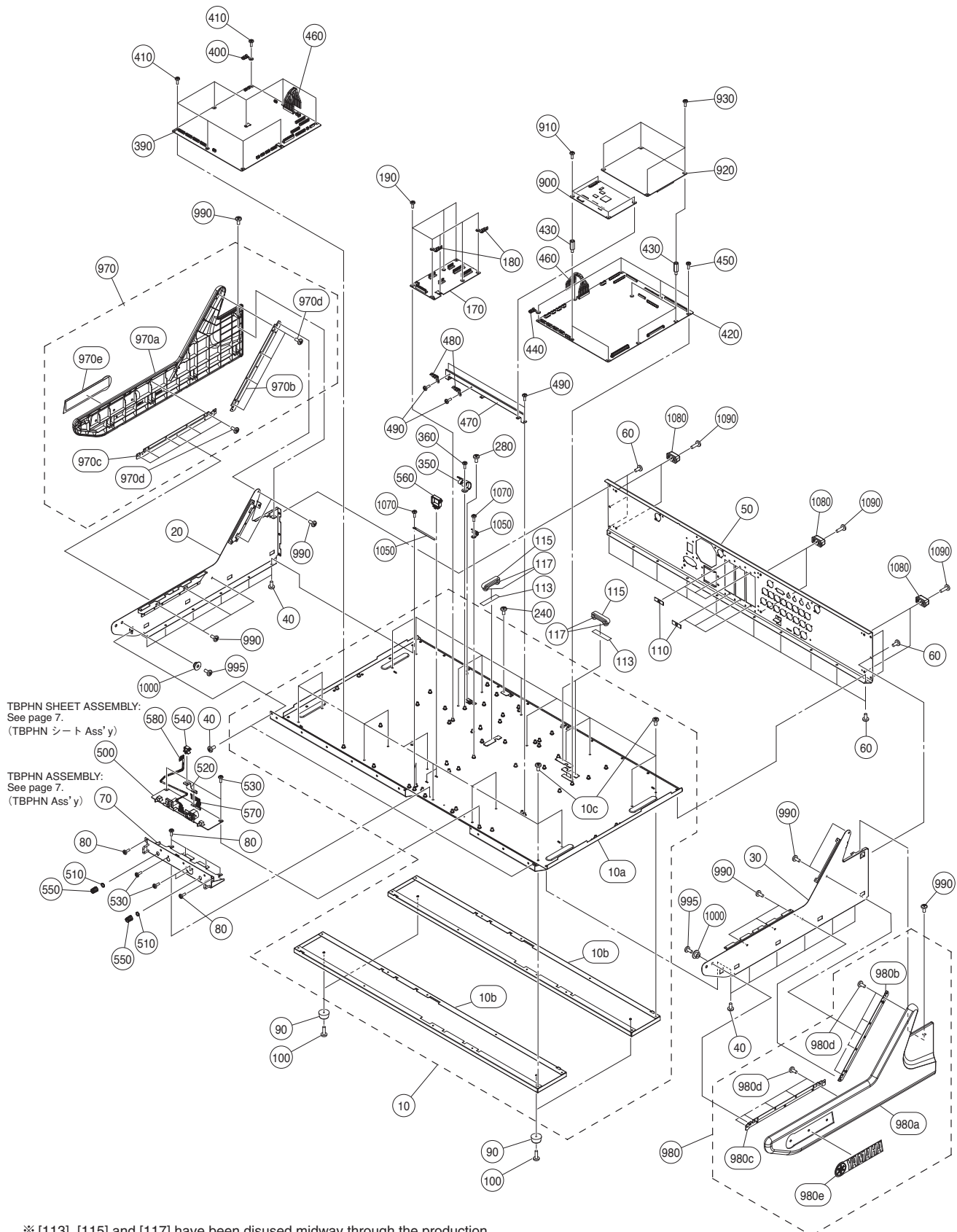


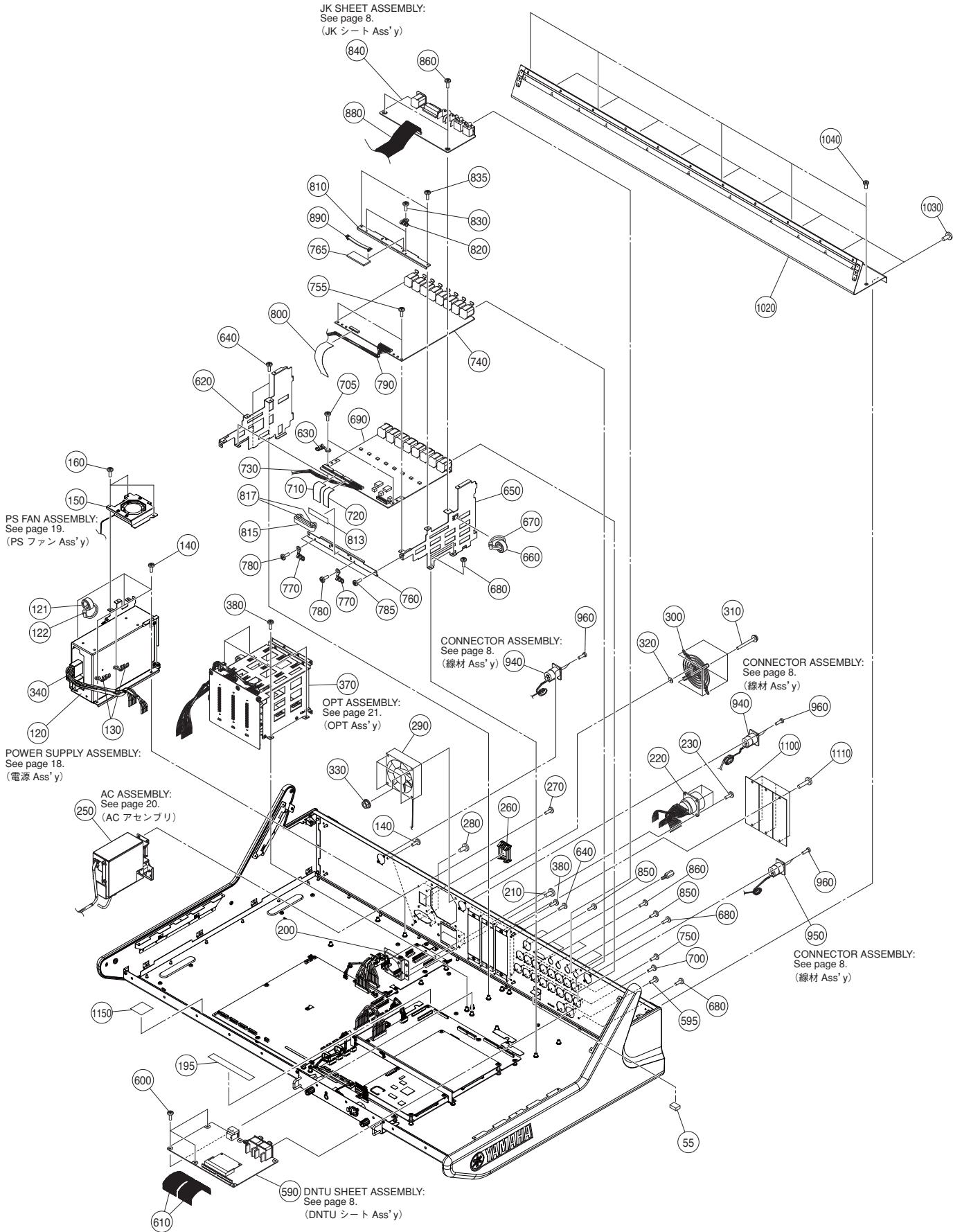
REF NO.	PART NO.	DESCRIPTION	部 品 名	REMARKS	QTY	RANK
		OVERALL ASSEMBLY	総 組 立	CL5		
10	--	OVERALL ASSEMBLY	総 組 立	(WY40740)		
20	VN103500	BOTTOM U3 ASSEMBLY	ボトムU3 A s s ' y	(WY40800)		03
30	--	LITHIUM BATTERY	リチウム電池			
30	--	CONTROL PANEL U3 ASSEMBLY	コンパネU3 A s s ' y	(WY40780)		
40	--	CONNECTOR ASSEMBLY	PH 7P-500	P H 束 線	(WE31580)	
50	--	CONNECTOR ASSEMBLY	PH 7P-350	P H 束 線	(WE31550)	2
60	--	CONNECTOR ASSEMBLY	PH 7P-750	P H 束 線	(WE31630)	
70	--	CONNECTOR ASSEMBLY	PH 10P-200	P H 束 線	(WD32420)	
80	--	CONNECTOR ASSEMBLY	PH 10P-250	P H 束 線	(WD32430)	
90	--	CONNECTOR ASSEMBLY	PH 10P-500	P H 束 線	(WD32480)	
100	--	CONNECTOR ASSEMBLY	PH 10P-800	P H 束 線	(WD32540)	
110	--	CONNECTOR ASSEMBLY	PH 8P-400	P H 束 線	(WD31860)	
120	--	CONNECTOR ASSEMBLY	USB 2.0 PH5P	U S B 束 線	(WZ57600)	
130	--	CONNECTOR ASSEMBLY	PH 6P-850	P H 束 線	(WE31350)	
140	--	CONNECTOR ASSEMBLY	#24 PH&PH 4P/6P/10P 1350L/1300L	束 線 # 2 4	(WZ43490)	
150	--	CONNECTOR ASSEMBLY	PH 4P-1300	P H 束 線	(WD30840)	
160	--	CONNECTOR ASSEMBLY	PH 5P-800	P H 束 線	(WD31040)	
170	--	CONNECTOR ASSEMBLY	PH 4P-850	P H 束 線	(ZD21890)	
* 180	ZA146900	MACHINE SCREW	3.0X6 S TAITO	六角孔付平ネジ		23
190	WE99480R	BIND HEAD TAPPING SCREW-S	4.0X8 MFZN2B3	S タイ ト + B I N D		12
200	--	NAMEPLATE LABEL		銘 板 ラ ベ ル	(ZA17040)	01
210	--	INSULATION-LOCK TIE	AB-80	インシュロックタイ	(WH68230)	
		ACCESSORIES	付 属 品			
* ㊠	WZ329200	CORD POWER SUPPLY	J VCTF 3X1.25	電 源 コ ー ド	J	
* ㊠	WZ329300	CORD POWER SUPPLY	U SJT18/3	電 源 コ ー ド	U,V	
* ㊠	WZ329400	CORD POWER SUPPLY	H H05VV-F 3X1.00	電 源 コ ー ド	E,W,K	
* ㊠	WZ329500	CORD POWER SUPPLY	B H05VV-F 3X1.00	電 源 コ ー ド	B	
* ㊠	WZ329600	CORD POWER SUPPLY	RVV300 500 3X1.00	電 源 コ ー ド	O	
* ㊠	WZ329700	CORD POWER SUPPLY	BRA H05VV-F 3X1.00	電 源 コ ー ド	P	
* ㊠	WZ793200	DUSTCOVER U3		ダストカバー U3		17
	--	USB PROTECTION DEVICE	502009514	USB プロテクションデバイス	Steinberg Nuende (WE763A0) Live USB eLicenser	
* ㊠	WZ987700	TOOLS		工 具		
* ㊠	WZ987700	SERVICE STAY L	LEFT	サ ー ビ ス ス テ イ L		
* ㊠	WZ987800	SERVICE STAY R	RIGHT	サ ー ビ ス ス テ イ R		

*: New Parts

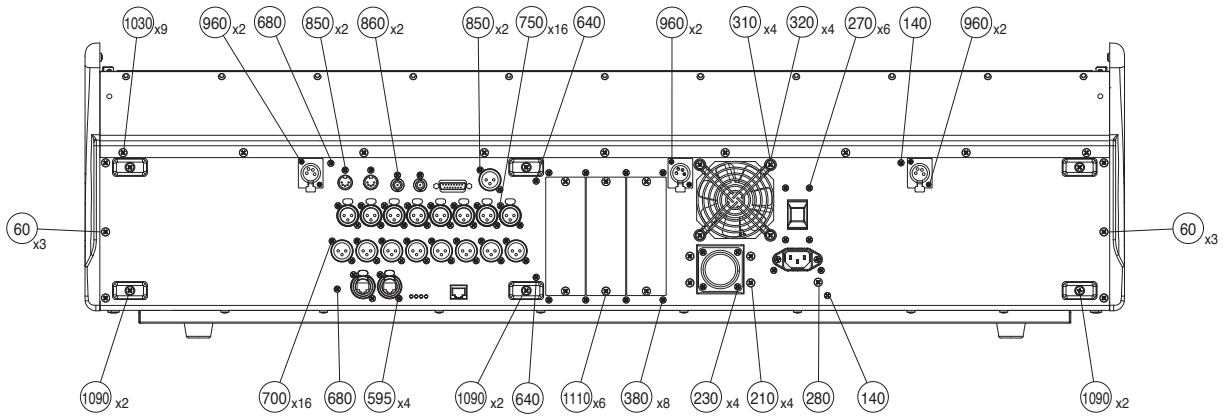
RANK: Japan only

■ BOTTOM U3 ASSEMBLY (ボトム U3 Ass'y)



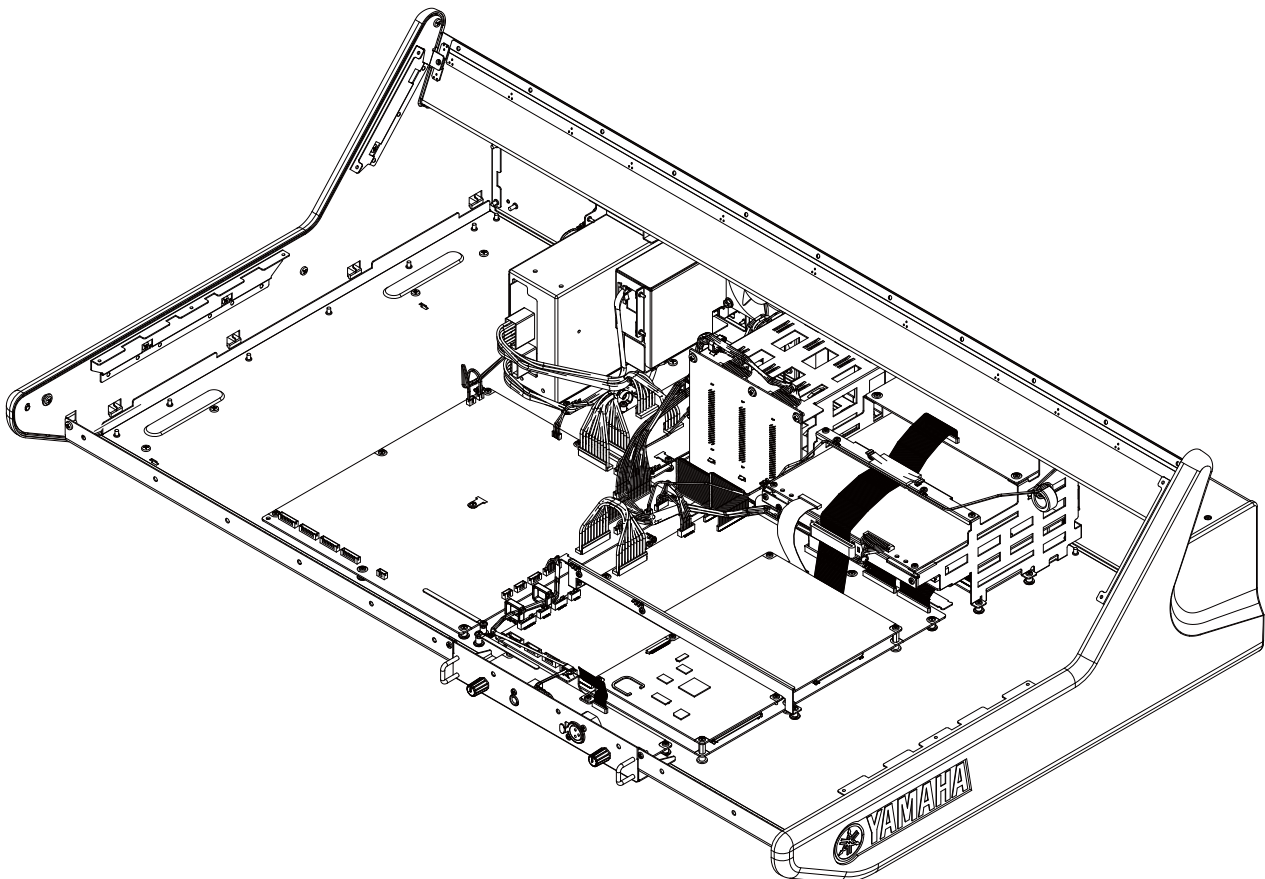


<Back view / 背面>

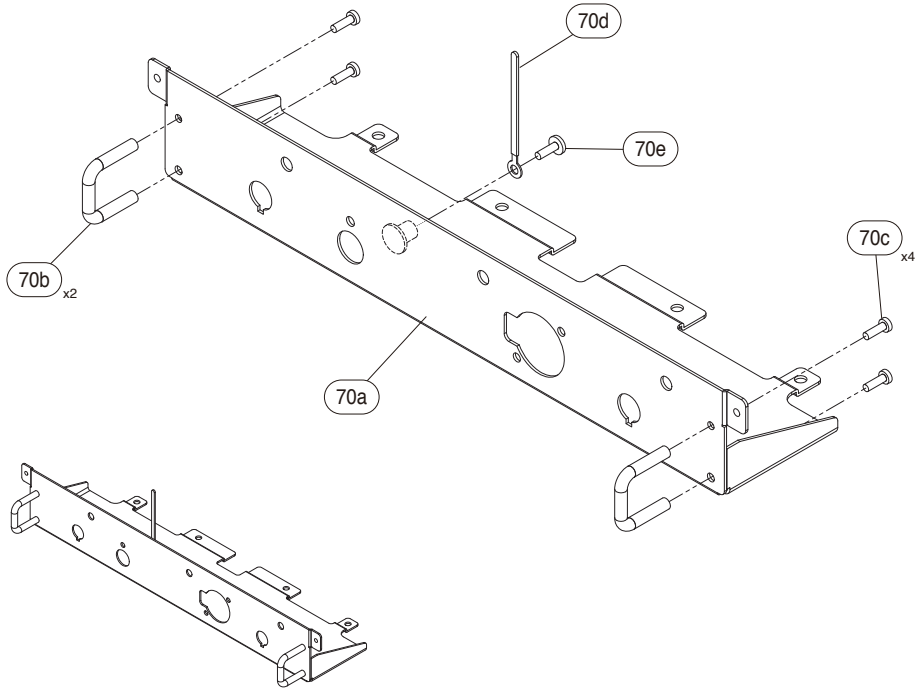


● BOTTOM U3 ASSEMBLY (ボトム U3 Ass'y)

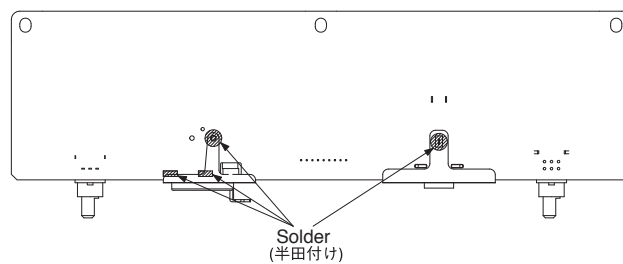
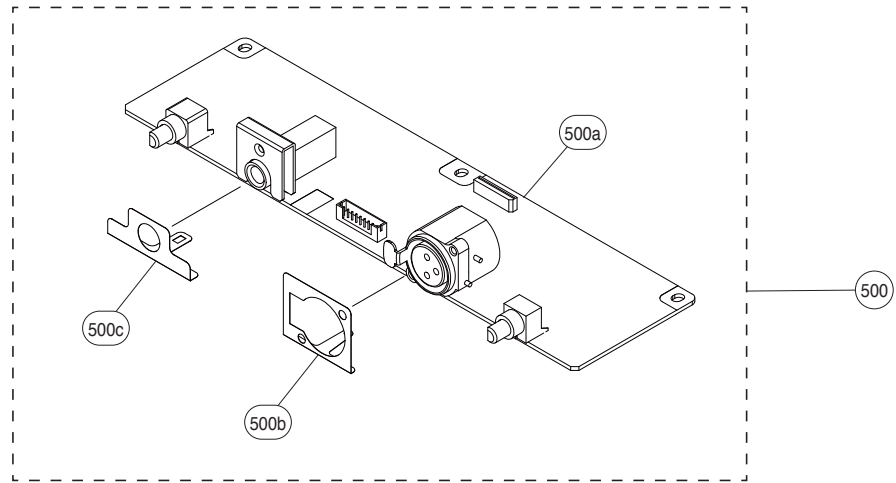
<Assembly Outline View / 組み上がり外観図>



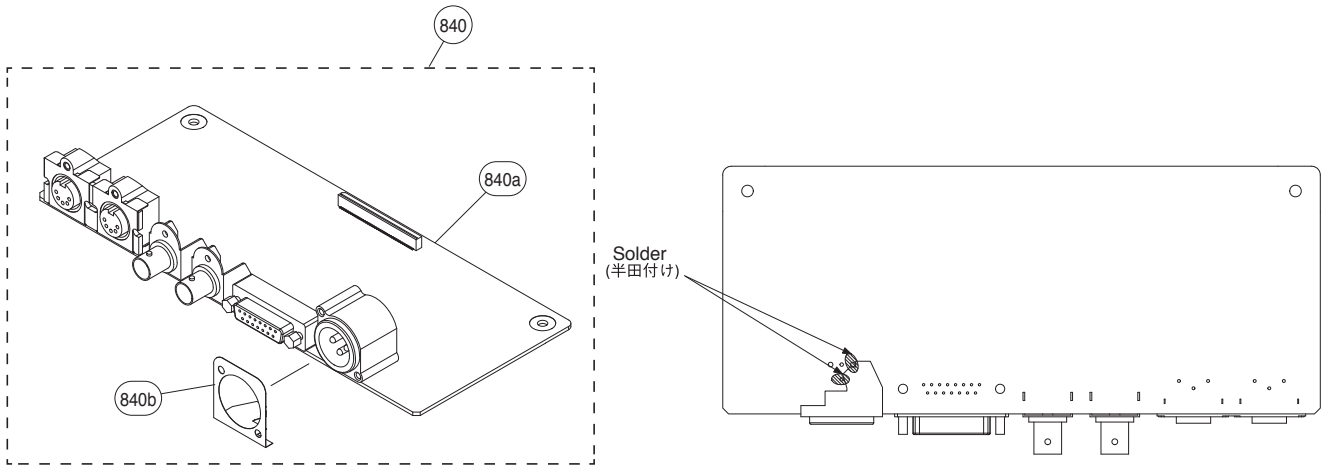
● TBPHN ASSEMBLY (TBPHN Ass'y)



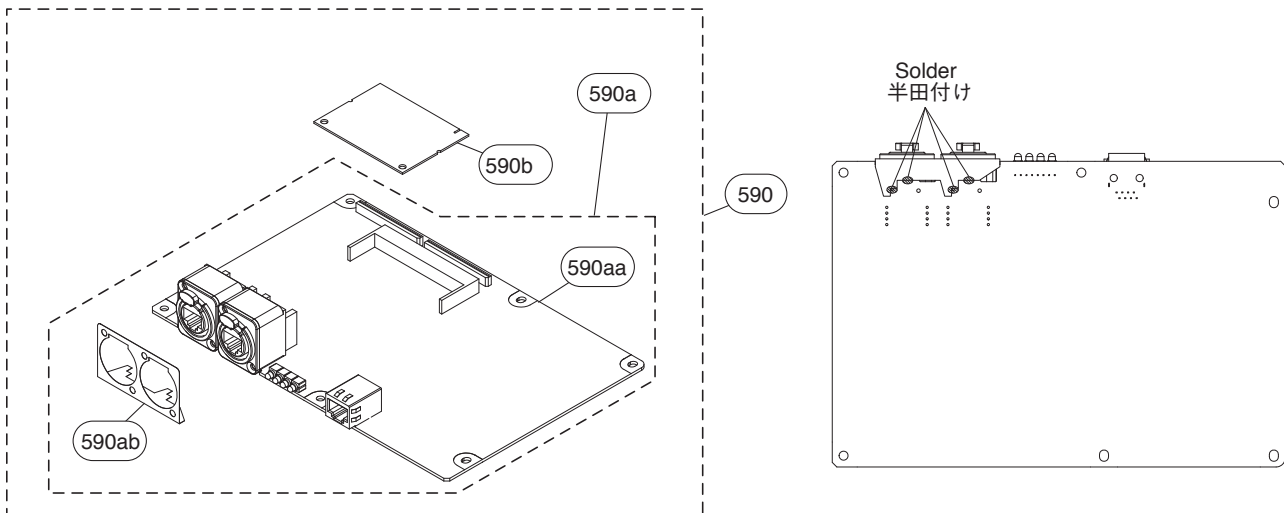
● TBPHN SHEET ASSEMBLY (TBPHN シート Ass'y)



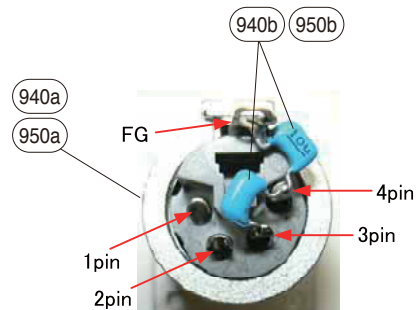
● JK SHEET ASSEMBLY (JK シート Ass'y)



● DNTU SHEET ASSEMBLY (DNTU シート Ass'y)



● CONNECTOR ASSEMBLY (線材 Ass'y)



REF NO.	PART NO.	DESCRIPTION	部 品 名	REMARKS	QTY	RANK
* 10	ZA132900	BOTTOM U3 ASSEMBLY	ボトムU3 Ass'y	CL5		
10a	--	BOTTOM U3 ASSEMBLY	ボトムU3 Ass'y	(WY40800)		
10b	--	BOTTOM U3 SUB ASSEMBLY	ボトムU3サブAss'y			
10c	WE99480R	BOTTOM U3	ボトムU3加工品	(WY40810)		
* 20	WE99480R	BOTTOM BEAM U3	ボトムビームU3	(WY62480)	2	
* 30	WE99480R	BIND HEAD TAPPING SCREW-S	Sタイト+BIND		20	01
* 40	WE99480R	SIDE PANEL L	サイドパネルL加工品			
* 50	WE99480R	SIDE PANEL R	サイドパネルR加工品		14	01
55	WE99480R	BIND HEAD TAPPING SCREW-S	Sタイト+BIND			
60	WE99480R	REAR U3	リアU3印刷品			
60	WE99480R	GASKET USB	E02S130055RT-20H	(ZA14560)		
70	WE99480R	BIND HEAD TAPPING SCREW-S	4.0X8 MFZN2B3		16	01
70a	WE99480R	TBPHN ASSEMBLY	TBPHN Ass'y	(WY54870)		
70b	WE99480R	TBPHN ANGLE	TBPHN金具印刷品			
70c	WE99480R	HANDLE GUARD	J20141A0000		2	06
70d	WE99480R	PAN HEAD SCREW	2.6X8 MFNI33		4	01
70e	WE99480R	CORD HOLDER	S-34B			03
80	WE99480R	BIND HEAD TAPPING SCREW-B	3.0X8 MFZN2B3			01
90	WE99480R	BIND HEAD TAPPING SCREW-B	3.0X8 MFZN2B3		6	01
100	WE99480R	RUBBER FOOT	ARMSTRONG K29		4	03
110	WE99480R	BIND HEAD TAPPING SCREW-B	4.0X12 MFZN2B3		4	01
113	WE99480R	EARTH FILM	アースフィルム	(WG31230)	6	
115	WE99480R	NONWOVENFABRIC CLOTH	55X9X0.5T	*1 (WT70051)	3	
117	WE99480R	FERRITE CORE	E04FG521312	*1 (ZD09690)	3	
120	WE99480R	INSULATION-LOCK TIE	AB-80	*1 (WH68230)	6	
121	WE99480R	POWER SUPPLY ASSEMBLY	電源 Ass'y			
122	WE99480R	FERRITE CORE	K1T25.0X12.0X15	(WE49120)		01
130	WE99480R	INSULATION-LOCK TIE	AB-80	(WH68230)		
140	WE99480R	CORD HOLDER	S-34B		2	03
150	WE99480R	BIND HEAD TAPPING SCREW-B	3.0X8 MFZN2B3		7	01
160	WE99480R	PS FAN ASSEMBLY	PSファン Ass'y			
170	WE99480R	BIND HEAD TAPPING SCREW-B	3.0X8 MFZN2B3		3	01
180	WE99480R	CIRCUIT BOARD	DC (ACCOM)	(WY64710)		
190	WE99480R	CORD HOLDER	S-34B			03
195	WE99480R	BIND HEAD TAPPING SCREW-B	3.0X8 MFZN2B3		7	01
200	WE99480R	ADHEDIVE TAPE	19X50M	(2278410)		
210	WE99480R	CONNECTOR ANGLE	コネクタアングル塗装			
220	WE99480R	BIND HEAD TAPPING SCREW-S	4.0X8 MFZN2B3		4	01
230	WE99480R	RECEPTACLE ASSEMBLY	Sタイト+BIND	DC POWER INPUT	20	
240	WE99480R	BIND HEAD TAPPING SCREW-B	3.0X8 MFZN2B3		4	01
250	WE99480R	BIND HEAD TAPPING SCREW-S	4.0X8 MFZN2B3			01
260	WE99480R	AC ASSEMBLY	Sタイト+BIND	(WY54550)		
270	WE99480R	ESCUTCHEON POWER SWITCH	PSWエスカッション			03
280	WE99480R	BIND HEAD TAPPING SCREW-B	3.0X8 MFZN2B3		6	01
290	WE99480R	BIND HEAD TAPPING SCREW-S	4.0X8 MFZN2B3		2	01
300	WE99480R	DC FAN MOTOR	9S0824L4D03			
310	WE99480R	FINGER GUARD	105X75			
320	WE99480R	BIND HEAD SCREW	4.0X40 MFNI33 SP		4	
330	WE99480R	PLAIN WASHER	4.0X12 MFNI33		4	01
340	WE99480R	NUT HEXAGONAL FLANGE	M4		4	01
350	WE99480R	CONNECTOR ASSEMBLY	DC			
360	WE99480R	CLIP, WIRE	Sタイト+BIND			03
370	WE99480R	BIND HEAD TAPPING SCREW-B	3.0X8 MFZN2B3			01
380	WE99480R	OPT ASSEMBLY	OPT Ass'y	(WY44080)		
390	WE99480R	BIND HEAD TAPPING SCREW-B	3.0X8 MFZN2B3		12	01
400	WE99480R	CIRCUIT BOARD	DCMS			
410	WE99480R	CORD HOLDER	S-34B			03
420	WE99480R	BIND HEAD TAPPING SCREW-B	3.0X8 MFZN2B3		9	01
430	WE99480R	CIRCUIT BOARD	DSP			
440	WE99480R	HEXAGONAL SPACER	M3 L=13mm		5	01
450	WE99480R	CORD HOLDER	S-34B			03
460	WE99480R	BIND HEAD TAPPING SCREW-B	3.0X8 MFZN2B3		5	01
470	WE99480R	CONNECTOR ASSEMBLY	VH&VH 10P 100L	(WZ86410)		
480	WE99480R	CPUFX BRACKET	Sタイト+BIND	(WY69460)	2	
490	WE99480R	CORD HOLDER	S-34B			03
500	WE99480R	BIND HEAD TAPPING SCREW-B	3.0X8 MFZN2B3		4	01
500a	WE99480R	TBPHN SHEET ASSEMBLY	TBPHNシート Ass'y			
500b	WE99480R	CIRCUIT BOARD	TBPHN			
500c	WE99480R	EARTH SHEET XLR	アースシートXLR	(WZ89250)		
500c	WE99480R	EARTH SHEET PHN	アースシートPHN	(WZ80100)		

*: New Parts

*1: Deletion when being producing. (生産途中から削除)

RANK: Japan only

REF NO.	PART NO.	DESCRIPTION		部 品 名	REMARKS	QTY	RANK
510	V243140R	HEXAGONAL NUT	9.0 MFNI33	特殊六角ナット		2	01
520	--	TBPHN BRACKET		T B P H N ブラケット	(WZ35040)		
530	WE774400	BIND HEAD TAPPING SCREW-B	3.0X8 MFZN2B3	B タイト + B I N D		6	01
540	--	REUSE CLAMP	RLWT-0.5V0 TTK	リユースクランプ	(WZ86170)		
550	VP826900	KNOB	(DAI)	ノブ	PHONES/TALKBACK LEVEL	2	03
560	--	REUSE CLAMP	RLWT-5V0 TTK	リユースクランプ	(WP87980)	2	
* 570	WZ834600	FFC CABLE	16P L=90mm P=1.0	F F C ケーブル			
580	--	CONNECTOR ASSEMBLY	PH 9P-400	P H 束 線	(WE32160)		
590	--	DNTU SHEET ASSEMBLY	DNTU	D N T U シート A s s ' y	(ZD20060)		
* 590a	ZE930500	DNTU SHEET ASSEMBLY CS	DNTU CS	D N T U シート A s s ' y C S	without DANTE MODULE		
590aa	--	CIRCUIT BOARD	DNTU	D N T U シート	(WZ20390)		
590ab	--	EARTH SHEET ETHER	0.1	アースシートイーサー	(ZC79060)		
* 590b	WZ815700	DANTE MODULE 64CH	J,U,H	ダンテモジュール64			
595	WE99810R	BIND HEAD TAPPING SCREW-B	3.0X12 MFZN2B3	B タイト + B I N D	}Change when being producing *2	4	01
595	WF760000	BIND HEAD TAPPING SCREW-P	2.6X10 MFZN2B3	P タイト + B I N D		4	01
600	WE774400	BIND HEAD TAPPING SCREW-B	3.0X8 MFZN2B3	B タイト + B I N D		3	01
* 610	WZ834700	FFC CABLE	40P L=90mm P=1.0	F F C ケーブル		2	
620	--	SHEET BRACKET L	LEFT	基板固定金具 L	(WY50770)		
630	CB829850	CORD HOLDER	S-34B	束線止め			03
640	WE774400	BIND HEAD TAPPING SCREW-B	3.0X8 MFZN2B3	B タイト + B I N D		4	01
650	--	SHEET BRACKET R	RIGHT	基板固定金具 R	(WY50990)		
660	--	FERRITE CORE	K1T25.0X12.0X15	フェライトコア	(WE49120)		
670	--	INSULATION-LOCK TIE	AB-80	インシュロックタイ	(WH68230)		
* 680	WE774400	BIND HEAD TAPPING SCREW-B	3.0X8 MFZN2B3	B タイト + B I N D		4	01
690	WY643500	CIRCUIT BOARD	DA	D A シート			
700	WE774400	BIND HEAD TAPPING SCREW-B	3.0X8 MFZN2B3	B タイト + B I N D		16	01
705	WF25750R	BIND HEAD TAPPING SCREW-S	3.0X8 MFZN2B3	S タイト + B I N D		2	01
710	--	JUMPER WIRE	11P 50L 2678	2678ジャンパーワイヤー	(WZ40050)		
720	--	JUMPER WIRE	FVP=2.0C26SB8-50	ジャンパーワイヤー	(WC35800)		
730	--	CONNECTOR ASSEMBLY	PH 14P-350	P H 束 線	(WD33650)		
* 740	WY643401	CIRCUIT BOARD	HAAD (NEW)	H A A D シート			35
750	WE774400	BIND HEAD TAPPING SCREW-B	3.0X8 MFZN2B3	B タイト + B I N D		16	01
755	WF25750R	BIND HEAD TAPPING SCREW-S	3.0X8 MFZN2B3	S タイト + B I N D		2	01
760	--	FFC ANGLE FR		F F C アングル F R	(WZ26130)		
765	--	RUBBER SPONGE SPACER	W20 L50 T3	スポンジスペーサー	(ZC81100)		
770	CB829850	CORD HOLDER	S-34B	束線止め		2	03
780	WE774400	BIND HEAD TAPPING SCREW-B	3.0X8 MFZN2B3	B タイト + B I N D		2	01
785	WF25750R	BIND HEAD TAPPING SCREW-S	3.0X8 MFZN2B3	S タイト + B I N D		2	01
790	--	CONNECTOR ASSEMBLY	PH 16P-400	P H 束 線	(WD34260)		
* 800	WP912700	FFC CABLE	23P L=100mm P=1.0	F F C ケーブル			
810	--	FFC ANGLE FR		F F C アングル F R	(WZ26130)		
813	--	NONWOVENFABRIC CLOTH	55X9X0.5T	不織布	(WT70051)		
815	--	FERRITE CORE	E04FG521312	フェライトコア	(ZD09690)		
817	--	INSULATION-LOCK TIE	AB-80	インシュロックタイ	(WH68230)	2	
820	CB829850	CORD HOLDER	S-34B	束線止め		2	03
830	WE774400	BIND HEAD TAPPING SCREW-B	3.0X8 MFZN2B3	B タイト + B I N D		2	01
835	WF25750R	BIND HEAD TAPPING SCREW-S	3.0X8 MFZN2B3	S タイト + B I N D		2	01
* 840	WZ800000	JK SHEET ASSEMBLY		J K シート A s s ' y			
* 840a	WY634900	CIRCUIT BOARD	JK	J K シート			
840b	--	EARTH FILM XLR		アースフィルム X L R	(WF26890)		
850	WE99810R	BIND HEAD TAPPING SCREW-B	3.0X12 MFZN2B3	B タイト + B I N D		4	01
860	WF25750R	BIND HEAD TAPPING SCREW-S	3.0X8 MFZN2B3	S タイト + B I N D		4	01
880	WS708000	FFC CABLE	40P L=250mm P=1.0	F F C ケーブル			05
890	--	FLAT CLAMP	FCR-60 V0	フラットクランプ	(WE25050)		
* 900	WY677500	CIRCUIT BOARD	CPU	C P U シート			
910	WF25750R	BIND HEAD TAPPING SCREW-S	3.0X8 MFZN2B3	S タイト + B I N D		4	01
* 920	WY635300	CIRCUIT BOARD	FX	F X シート			
930	WF25750R	BIND HEAD TAPPING SCREW-S	3.0X8 MFZN2B3	S タイト + B I N D		4	01
* 940	WZ443600	CONNECTOR ASSEMBLY	CANNON&PH2P 450L	線材 A s s ' y	LAMP	2	
940a	--	CANNON CONNECTOR	JACK 4PIN HA16PRK-4S	キャノンコネクタ	(VS64730)	2	07
* 940b	--	MONOLITHIC CERAMIC CAPACITOR	0.010 50V Z TP	積層セラコン	(VZ66250)	4	01
* 950	WZ443700	CONNECTOR ASSEMBLY	CANNON&PH2P 650L	線材 A s s ' y	LAMP		
950a	--	CANNON CONNECTOR	JACK 4PIN HA16PRK-4S	キャノンコネクタ	(VS64730)		07
950b	--	MONOLITHIC CERAMIC CAPACITOR	0.010 50V Z TP	積層セラコン	(VZ66250)	2	01
960	EE62019R	PAN HEAD SCREW	2.6X8 MFNI33	十ナベ小ネジ		6	01
* 970	WY540400	SIDE PAD ASSEMBLY L	LEFT	サイドパッド A s s ' y L			
970a	--	SIDE PAD L BLACK	LEFT	サイドパッド L 塗装品	(WY54020)		
970b	--	SIDE SUB ANGLE		サイド補強金具	(WZ54330)	2	
970c	--	SIDE SUB ANGLE F		サイド補強金具 F	(ZC67990)		
970d	WE962000	BIND HEAD TAPPING SCREW-B	4.0X8 MFZN2B3	B タイト + B I N D		9	01

*: New Parts

RANK: Japan only

*2: Be sure to use the same type of screws as initially installed ones. (ネジは元々組付いている同一種類を使用してください。)

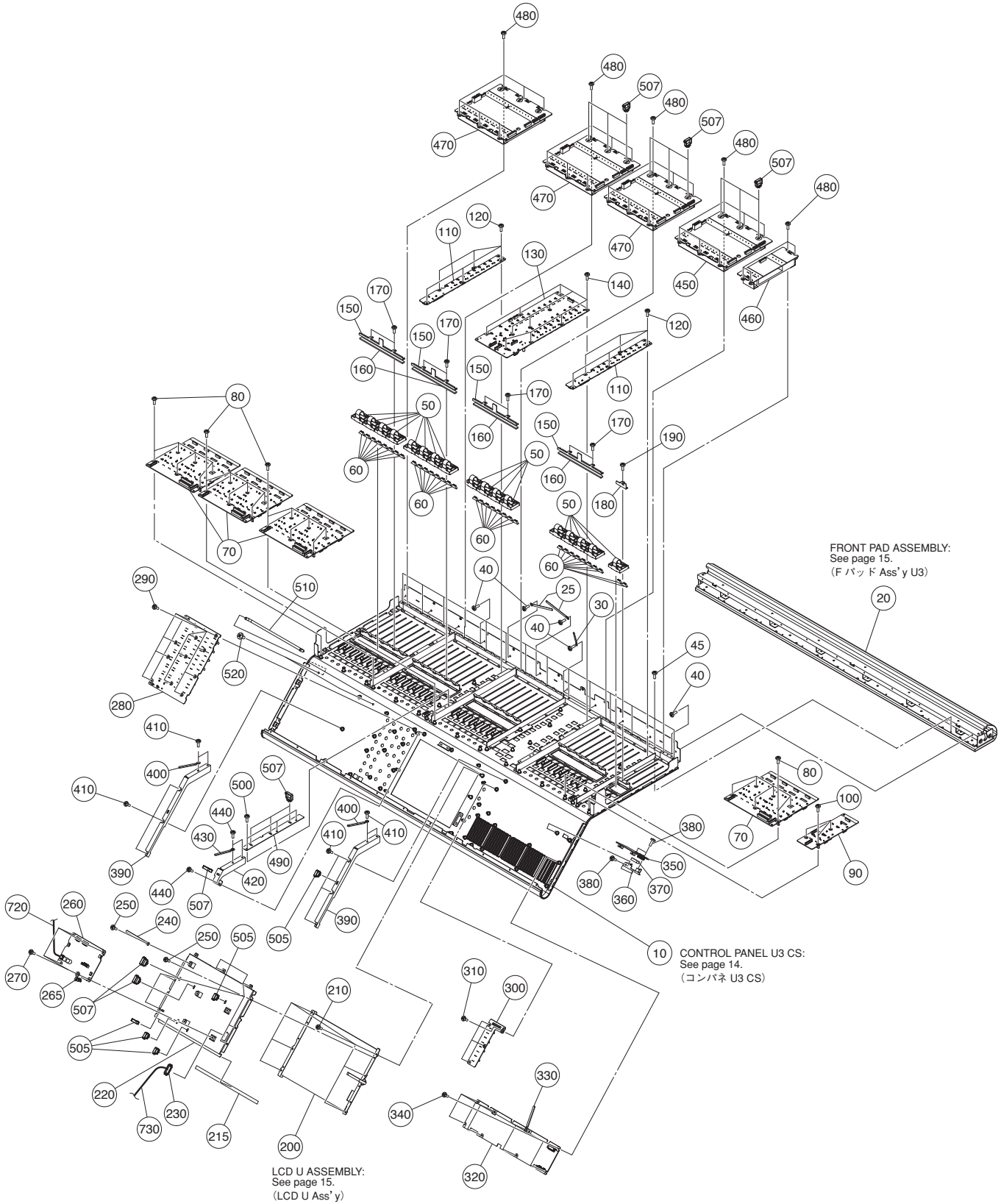
REF NO.	PART NO.	DESCRIPTION		部 品 名	REMARKS	QTY	RANK
970e	--	LOGO PLATE		ヤマハロゴプレート	(WZ49960)		
* 980	WY540500	SIDE PAD ASSEMBLY R	YAMAHA	サイドパッドA s s ' y R			
980a	--	SIDE PAD R BLACK	RIGHT	サイドパッドR塗装品	(WY54030)		
980b	--	SIDE SUB ANGLE	RIGHT	サイド補強金具	(WZ54330)	2	
980c	--	SIDE SUB ANGLE F		サイド補強金具F	(ZC67990)		
980d	WE962000	BIND HEAD TAPPING SCREW-B	4.0X8 MFZN2B3	Bタイト+ B I N D		9	01
980e	--	LOGO PLATE	YAMAHA	ヤマハロゴプレート	(WZ49960)		
990	WE99480R	BIND HEAD TAPPING SCREW-S	4.0X8 MFZN2B3	Sタイト+ B I N D		12	01
995	WF788200	BIND HEAD TAPPING SCREW-S	4.0X10 MFZN2B3	Sタイト+ B I N D		2	01
1000	24225100	PLAIN WASHER	4.0X12 MFNI33	平座金みがき丸		2	01
* 1020	WY744700	REAR UPPER U3		リア上パネU3印刷品			
1030	WE99480R	BIND HEAD TAPPING SCREW-S	4.0X8 MFZN2B3	Sタイト+ B I N D		9	01
* 1040	ZA146900	MACHINE SCREW	3.0X6 S TAITO	六角孔付平ネジ		5	
1050	CB81751R	CLIP, WIRE		束線止め		3	03
1070	WE774400	BIND HEAD TAPPING SCREW-B	3.0X8 MFZN2B3	Bタイト+ B I N D		3	01
1080	VT451200	CONNECTOR GUARD BLACK	(POM)	コネクターガード		6	05
1090	WE99860R	BIND HEAD TAPPING SCREW-B	4.0X12 MFZN2B3	Bタイト+ B I N D		6	01
1100	VZ678501	IF PLATE		I F プ レ ー ト	} (VZ67851)	3	
1100	--	IF PLATE		I F プ レ ー ト		3	
1110	WW653000	BIND HEAD TAPPING SCREW-S	4.0X14 MFZN2B3	Sタイト+ B I N D		6	01
1150	--	CAUTION LABEL		コーションラベル	(WS59690)		

*: New Parts

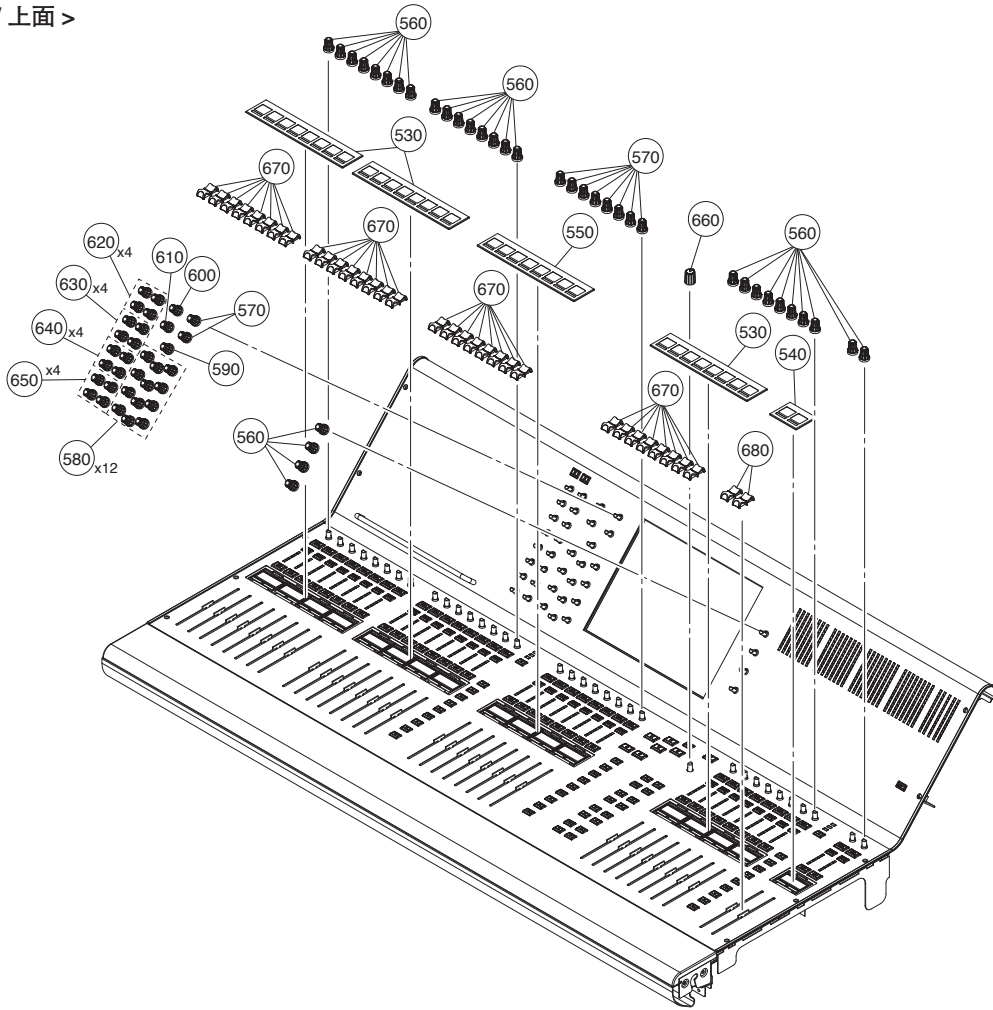
RANK: Japan only

CONTROL PANEL U3 ASSEMBLY (コンパネ U3 Ass'y)

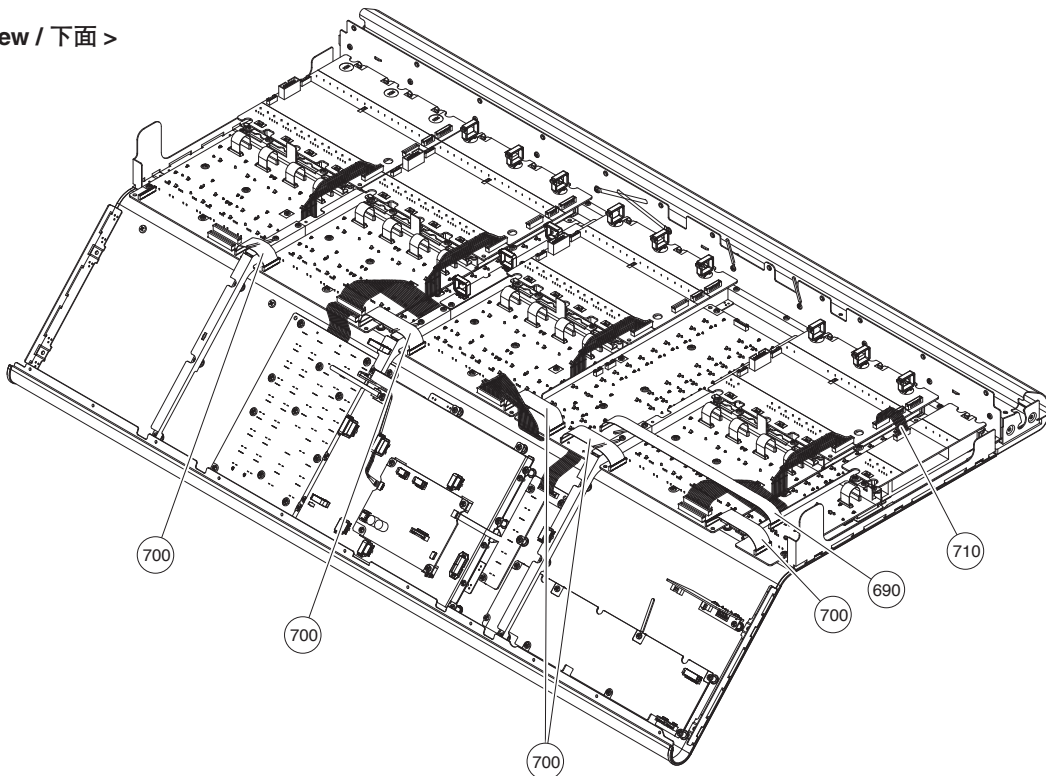
<Bottom view / 下面>



<Top view / 上面 >

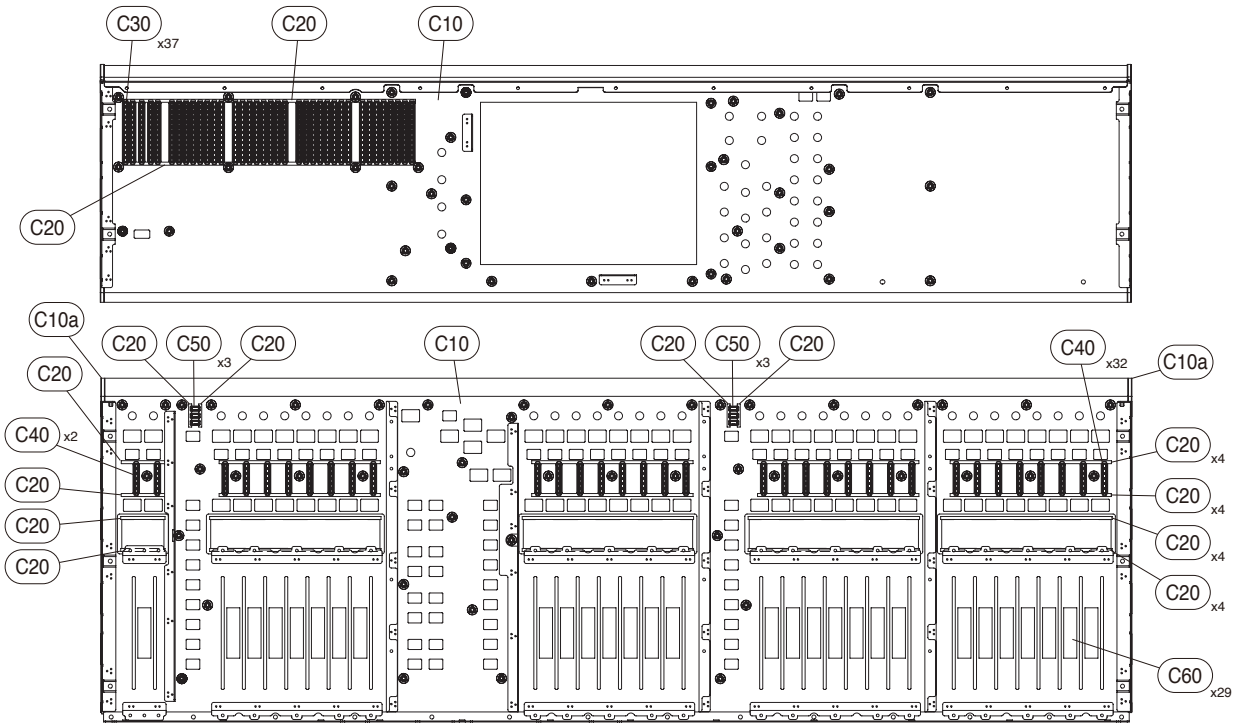


<Bottom view / 下面 >

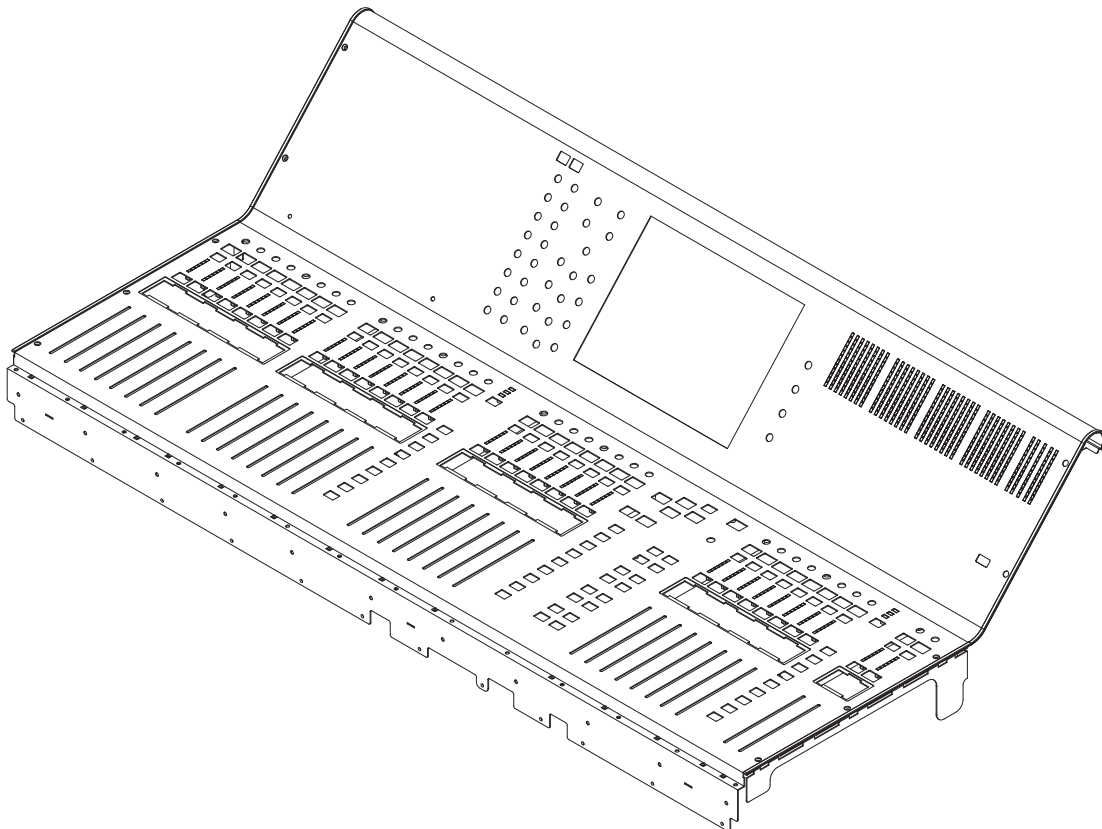


● CONTROL PANEL U3 CS (コンパネ U3 CS)

<Bottom view / 下面>

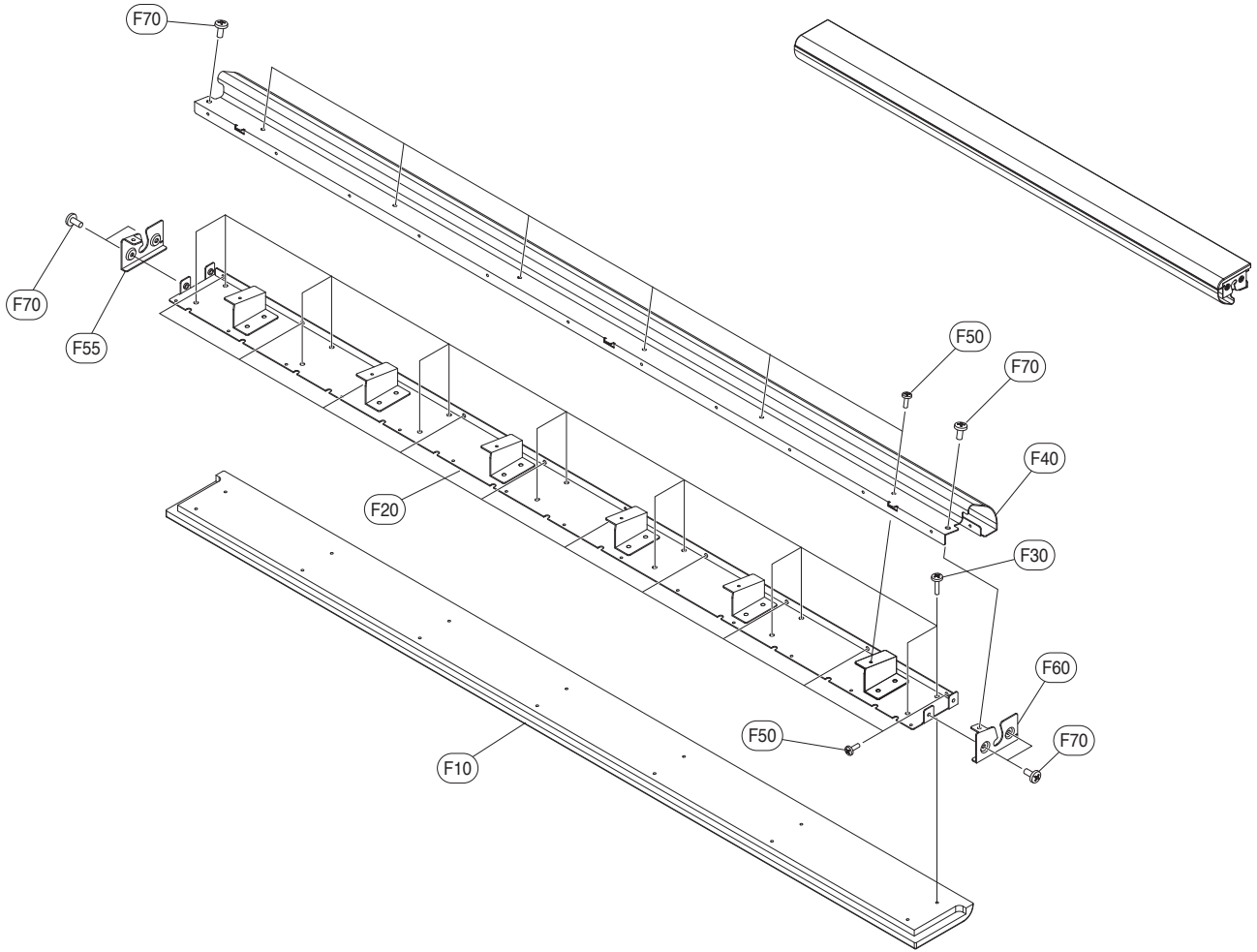


<Assembly Outline View / 組み上がり外観図>



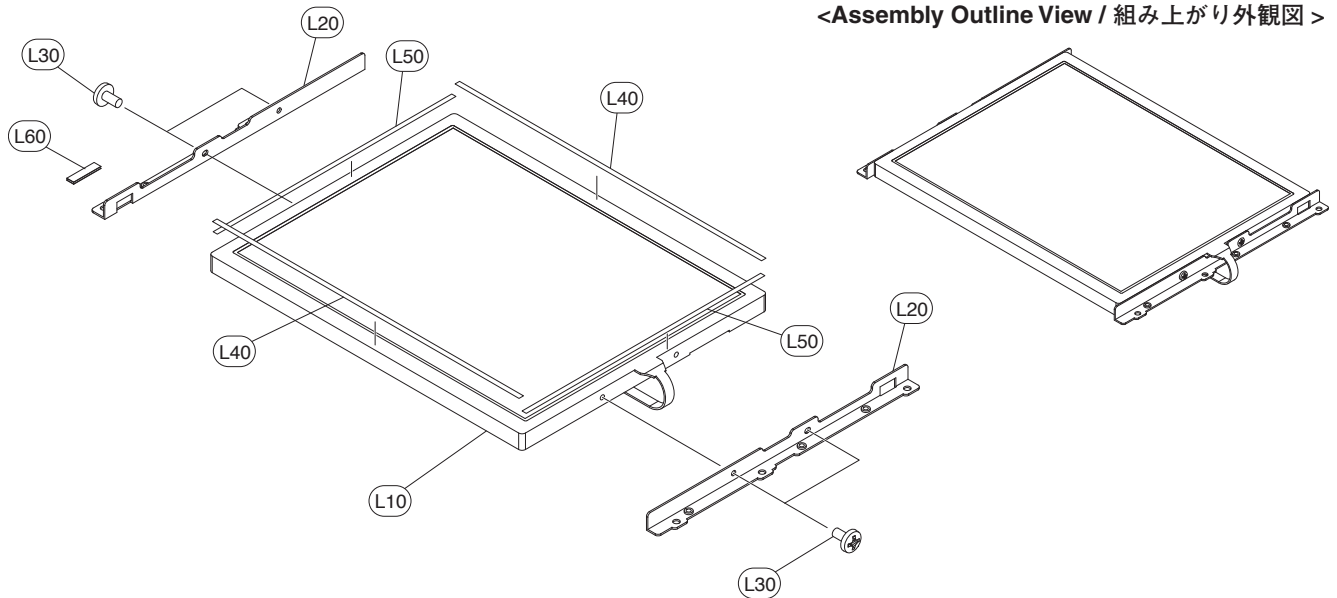
● FRONT PAD ASSEMBLY U3 (F パッド Ass'y U3)

<Assembly Outline View / 組み上がり外観図>



● LCD U ASSEMBLY (LCD U Ass'y)

<Assembly Outline View / 組み上がり外観図>



REF NO.	PART NO.	DESCRIPTION	部 品 名	REMARKS	QTY	RANK
	--	CONTROL PANEL U3 ASSEMBLY	コンパネU3 A s s ' y	CL5		
	--	CONTROL PANEL U3 ASSEMBLY	コンパネU3 A s s ' y	(WY40780)		
* 10	WZ788300	CONTROL PANEL U3 CS	コンパネU3 C S			
* 20	WY526100	FRONT PAD ASSEMBLY U3	FパッドA s s ' y U3			
25	CB81751R	CLIP, WIRE	束 線 止 め		2	03
30	CB829850	CORD HOLDER	S-34B	束 線 止 め	2	03
40	WE774400	BIND HEAD TAPPING SCREW-B	3.0X8 MFZN2B3	B タイト+ B I N D	11	01
45	WE774400	BIND HEAD TAPPING SCREW-B	3.0X8 MFZN2B3	B タイト+ B I N D	14	01
* 50	WY919800	CRYSTAL DISPLAY	UMSH-8650ED-F	液 晶 デ ィ ス プ レ イ	17	
* 60	WY997300	COLOR BAR LENS		カ ラ ー バ ー レ ン ズ	34	
* 70	WZ789900	PN8 ADDED BUTTON		P N 8 ボ タ ン 付	4	
80	WE774400	BIND HEAD TAPPING SCREW-B	3.0X8 MFZN2B3	B タイト+ B I N D	24	01
* 90	WY531800	CIRCUIT BOARD	PN2 (PNMCOM)	P N 2 シ ー ト		(WZ79000)
100	WE774400	BIND HEAD TAPPING SCREW-B	3.0X8 MFZN2B3	B タイト+ B I N D	3	01
* 110	WY531500	CIRCUIT BOARD	PNI (PNICOM)	P N I シ ー ト	2	(WZ78980)
120	WE774400	BIND HEAD TAPPING SCREW-B	3.0X8 MFZN2B3	B タイト+ B I N D	10	01
* 130	WY531700	CIRCUIT BOARD	PNM (PNMCOM)	P N M シ ー ト		(WZ79000)
140	WE774400	BIND HEAD TAPPING SCREW-B	3.0X8 MFZN2B3	B タイト+ B I N D	10	01
150	--	PN PUSH ANGLE 8	1.0 Z	P N P U S H 金 具 8	4	(WY61560)
160	--	RUBBER SPONGE SPACER	INOAC C-4266	ス ポ ン ジ ス ペ ー サ ー	4	(ZA14460)
170	WE774400	BIND HEAD TAPPING SCREW-B	3.0X8 MFZN2B3	B タイト+ B I N D	8	01
180	--	PN PUSH ANGLE 2	1.0 Z	P N P U S H 金 具 2		(WZ34020)
190	WE774400	BIND HEAD TAPPING SCREW-B	3.0X8 MFZN2B3	B タイト+ B I N D		01
* 200	WZ790900	LCD U ASSEMBLY		L C D U A s s ' y		
210	WE774400	BIND HEAD TAPPING SCREW-B	3.0X8 MFZN2B3	B タイト+ B I N D	6	01
215	--	GASKET LCD	E02S080040RT-220H	ガ ス ケ ッ ト L C D		(ZA14570)
220	--	LCD SHIELD CASE	1.0	L C D シ ー ル ド ケ ー ス		(WY46920)
230	V3079400	SQUARE BUSH	SB-1909	ス ク エ ア ブ ッ シ ュ		01
240	CB81751R	CLIP, WIRE		束 線 止 め		03
250	WE774400	BIND HEAD TAPPING SCREW-B	3.0X8 MFZN2B3	B タイト+ B I N D	8	01
* 260	WY677700	CIRCUIT BOARD	LCDC (LCDCOM)	L C D C シ ー ト		(WY93730)
265	CB829850	CORD HOLDER	S-34B	束 線 止 め		03
270	WE774400	BIND HEAD TAPPING SCREW-B	3.0X8 MFZN2B3	B タイト+ B I N D	4	01
* 280	WZ790100	PNENL ADDED BUTTON		P N E N L ボ タ ン 付		
290	WE774400	BIND HEAD TAPPING SCREW-B	3.0X8 MFZN2B3	B タイト+ B I N D	11	01
* 300	WY531900	CIRCUIT BOARD	PNENR (PNMCOM)	P N E N R シ ー ト		(WZ79000)
310	WE774400	BIND HEAD TAPPING SCREW-B	3.0X8 MFZN2B3	B タイト+ B I N D	4	01
* 320	WY532100	CIRCUIT BOARD	MB (MBCOM)	M B シ ー ト		(WY53200)
330	CB81751R	CLIP, WIRE		束 線 止 め		03
340	WE774400	BIND HEAD TAPPING SCREW-B	3.0X8 MFZN2B3	B タイト+ B I N D	8	01
* 350	WY677600	CIRCUIT BOARD	USB (LCDCOM)	U S B シ ー ト		(WY93730)
360	--	USB FIXED ANGLE		U S B 固 定 金 具		(WY91870)
370	--	GASKET USB	E02S130055RT-20H	ガ ス ケ ッ ト U S B		(ZA14560)
380	WE774400	BIND HEAD TAPPING SCREW-B	3.0X8 MFZN2B3	B タイト+ B I N D	4	01
390	--	P SUB ANGLE A	1.0 Z	P 補 助 ア ン グ ル A	2	(WY46750)
400	CB829850	CORD HOLDER	S-34B	束 線 止 め	3	03
410	WE774400	BIND HEAD TAPPING SCREW-B	3.0X8 MFZN2B3	B タイト+ B I N D	10	01
420	--	P SUB ANGLE B	1.0 Z	P 補 助 ア ン グ ル B		(WY46770)
430	CB829850	CORD HOLDER	S-34B	束 線 止 め		03
440	WE774400	BIND HEAD TAPPING SCREW-B	3.0X8 MFZN2B3	B タイト+ B I N D	3	01
* 450	WY643200	CIRCUIT BOARD	FD8CN (FDCOM)	F D 8 C N シ ー ト		(WY83040)
* 460	WY643300	CIRCUIT BOARD	FD2 (FDCOM)	F D 2 シ ー ト		(WY83040)
* 470	WY830500	CIRCUIT BOARD	FD8	F D 8 シ ー ト	3	
480	WE774400	BIND HEAD TAPPING SCREW-B	3.0X8 MFZN2B3	B タイト+ B I N D	28	01
490	--	PANEL L ANGLE		パ ネ ル L 金 具		(WZ55190)
500	WE774400	BIND HEAD TAPPING SCREW-B	3.0X8 MFZN2B3	B タイト+ B I N D	3	01
505	--	REUSE CLAMP	RLWT-2V0 TTK	リ ュ ー ス ク ラ ン プ		(WP87970)
507	--	REUSE CLAMP	RLWT-5V0 TTK	リ ュ ー ス ク ラ ン プ	15	(WP87980)
* 510	WZ340500	U STAY		U ス テ イ		
520	WE99480R	BIND HEAD TAPPING SCREW-S	4.0X8 MFZN2B3	S タイト+ B I N D	2	01
* 530	WY627100	CH LCD SHEET 1		C H L C D シ ー ト 1	3	
* 540	WY627200	CH LCD SHEET 2		C H L C D シ ー ト 2		
* 550	WZ347800	CH LCD SHEET 3		C H L C D シ ー ト 3		
560	WR598600	ENCORDER KNOB N	BLACK/D-GRAY	エ ン コ ー ダ ー ノ ブ N	30	01
570	WN980600	ENCORDER KNOB N	BLACK/L-GRAY	エ ン コ ー ダ ー ノ ブ N	10	01
580	WR598900	ENCORDER KNOB N	BLACK/GREEN	エ ン コ ー ダ ー ノ ブ N	12	01
590	WR598800	ENCORDER KNOB N	BLACK/S-GREEN	エ ン コ ー ダ ー ノ ブ N		HPF 01
600	WR598500	ENCORDER KNOB N	BLACK/S-GRAY	エ ン コ ー ダ ー ノ ブ N		GAIN 01
610	WR598700	ENCORDER KNOB N	BLACK/ST-RED	エ ン コ ー ダ ー ノ ブ N		PAN 01
* 620	WZ320800	ENCORDER KNOB N	BLACK/MAGENTA	エ ン コ ー ダ ー ノ ブ N	4	1-4

*: New Parts

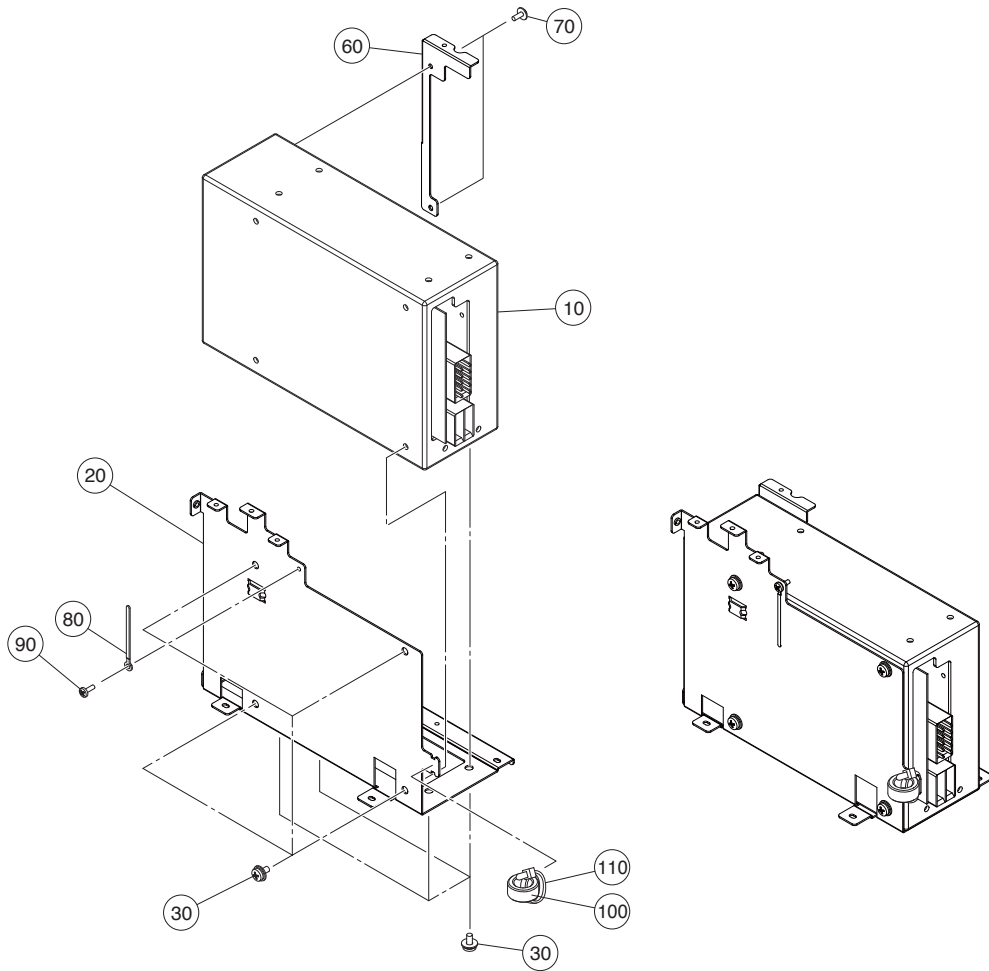
RANK: Japan only

REF NO.	PART NO.	DESCRIPTION		部 品 名	REMARKS	QTY	RANK
* 630	WZ320900	ENCORDER KNOB N	BLACK/BULE	エンコーダーノブ N	5-8	4	
* 640	WZ321000	ENCORDER KNOB N	BLACK/T-BULE	エンコーダーノブ N	9-12	4	
* 650	WZ321100	ENCORDER KNOB N	BLACK/VIOLET	エンコーダーノブ N	13-16	4	
660	VP826900	KNOB	(DAI)	ノブ	MONITOR LEVEL		03
670	WN980500	FADER KNOB N		フェーダーノブ N	CHANNEL	32	04
680	WR791400	FADER KNOB NR		フェーダーノブ NR	MASTER	2	08
* 690	WZ834800	FFC CABLE	18P L=280mm P=1.0	FFCケーブル			
700	WN834100	FFC CABLE	22P-100L	FFCケーブル		5	03
710	--	JUMPER WIRE	8P 60L 2678	2678ジャンパーワイヤー	(WZ40020)		
* 720	WZ354100	CONNECTOR ASSEMBLY	BL U SHL6P	BL 束線			
* 730	ZC342400	CONNECTOR ASSEMBLY	LCD 20P	LCD 束線			
* C10	WZ788300	CONTROL PANEL U3 CS		コンパネ U3 CS			
C10a	--	CONTROL PANEL U3 SR		コンパネ U3 SR	(ZA14660)		
C20	--	SIDE RAIL S		サイドレール S	(WY53010)	2	
C20	--	ADHESIVE TAPE	#5000NS W=3	粘着テープ	(V740180)		
* C30	WY833000	MB LENS BLACK	12P	MBレンズ 12P		37	
* C40	WY832900	MB LENS BLACK	6P	MBレンズ 6P		34	
C50	WK612600	MEASURE LENS		単位レンズ		6	03
* C60	ZD490600	RUBBER SPONGE SPACER		スポンジスペーサー		29	
* F10	WY526100	FRONT PAD ASSEMBLY U3		Fパッド Ass'y U3			
F20	--	WOOD PAD U3		ウッドパッド U3	(WY52640)		
F30	WE97140R	FPB ANGLE U3		FPB金具 U3 加工品	(WZ27580)		
F30	WE97140R	BIND HEAD TAPPING SCREW-1	3.5X12 MFZN2B3	TP #1 + BIND		14	01
F40	--	FPA ANGLE U3		FPA金具 U3 塗装品	(WY52730)		
F50	WE774400	BIND HEAD TAPPING SCREW-B	3.0X8 MFZN2B3	Bタイト + BIND		16	01
F55	--	FRONT SIDE ANGLE L	LEFT	Fサイド金具 L	(WZ81540)		
F60	--	FRONT SIDE ANGLE R	RIGHT	Fサイド金具 R	(WZ81550)		
F70	WE99480R	BIND HEAD TAPPING SCREW-S	4.0X8 MFZN2B3	Sタイト + BIND		6	01
* L10	WZ790900	LCD U ASSEMBLY		LCD U Ass'y			
L20	--	CRYSTAL DISPLAY	AA104SH02--T1	液晶ディスプレイ	(WZ03340)		
L30	--	LCD SIDE ANGLE		LCDサイド金具	(WZ03200)	2	
L30	--	BIND HEAD TAPPING SCREW-S	3.0X5 MFZN2B3	Sタイト + BIND	(WF30420)	4	01
L40	--	TP SPACER 1		TPスペーサー 1	(WE77680)	2	
L50	--	TP SPACER 2		TPスペーサー 2	(WE77690)	2	
L60	--	ADHESIVE TAPE	10X20	粘着テープ	(VS23560)		01

*: New Parts

RANK: Japan only

POWER SUPPLY ASSEMBLY (電源 Ass'y)

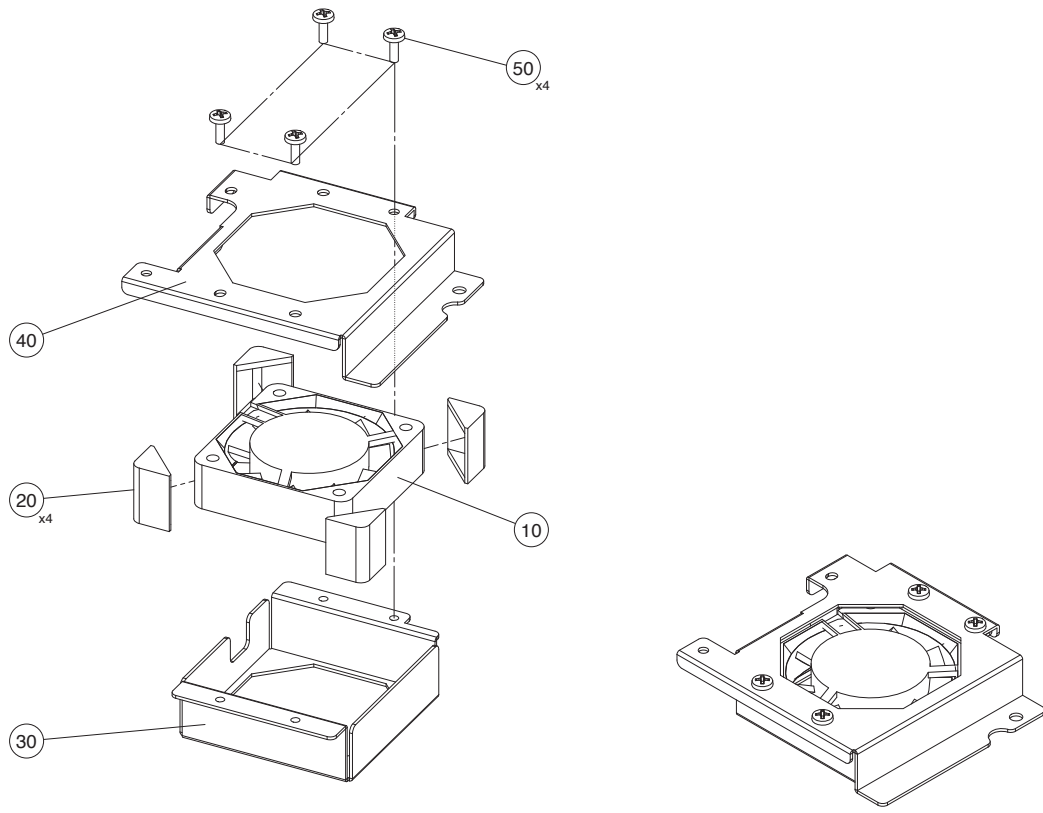


REF NO.	PART NO.	DESCRIPTION	部 品 名	REMARKS	QTY	RANK
	WZ712800	POWER SUPPLY ASSEMBLY	電 源 A s s ' y	CL5		
	WE222901	POWER SUPPLY ASSEMBLY	電 源 A s s ' y			
10	WE222901	POWER SUPPLY UNIT	電 源 ユ ニ ッ ト			52
20	--	AC FRAME	A C フ レ ー ム	(WY54010)		
30	WE995600	PAN HEAD SCREW	小 ネ ジ + P A N		8	01
60	--	PS FAN ANGLE	P S フ ァ ン 金 具	(ZC88850)		
70	WE968100	BIND HEAD SCREW	小 ネ ジ + B I N D		2	
80	CB829850	CORD HOLDER	束 線 止 め			03
90	WE774400	BIND HEAD TAPPING SCREW-B	B タ イ ト + B I N D			01
100	--	FERRITE CORE	フ ェ ラ イ ト コ ア	(ZD04420)		
110	--	INSULATION-LOCK TIE	イ ン シ ュ ロ ッ ク タ イ	(WH68230)		

*: New Parts

RANK: Japan only

■ PS FAN ASSEMBLY (PS ファン Ass'y)

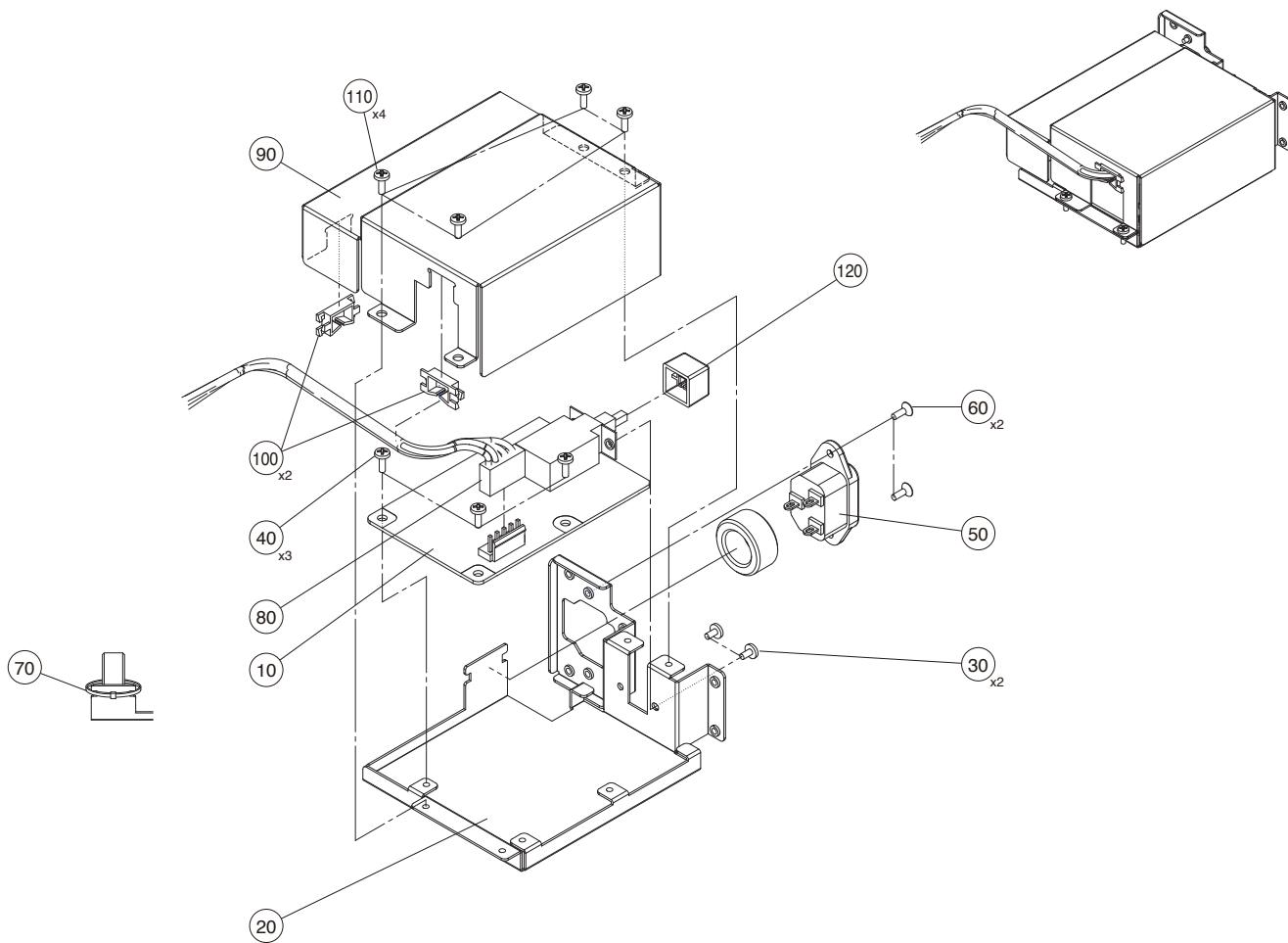


REF NO.	PART NO.	DESCRIPTION		部 品 名	REMARKS	QTY	RANK
*	WZ712900	PS FAN ASSEMBLY		P S ファン A s s ' y	CL5		
10	--	DC FAN MOTOR	109P0524M7D03	D C ファン モーター	(WZ98150)		
20	--	FAN HOLDER	FH-15M-95T	ファンホルダー	(WZ86180)	4	
30	--	PS FAN CASE		P S ファン ケース	(WZ26120)		
40	--	PS FAN COVER		P S ファン カバー	(WZ58710)		
50	WE774400	BIND HEAD TAPPING SCREW-B	3.0X8 MFZN2B3	B タイト + B I N D		4	01

*: New Parts

RANK: Japan only

■ AC ASSEMBLY (AC アセンブリ)

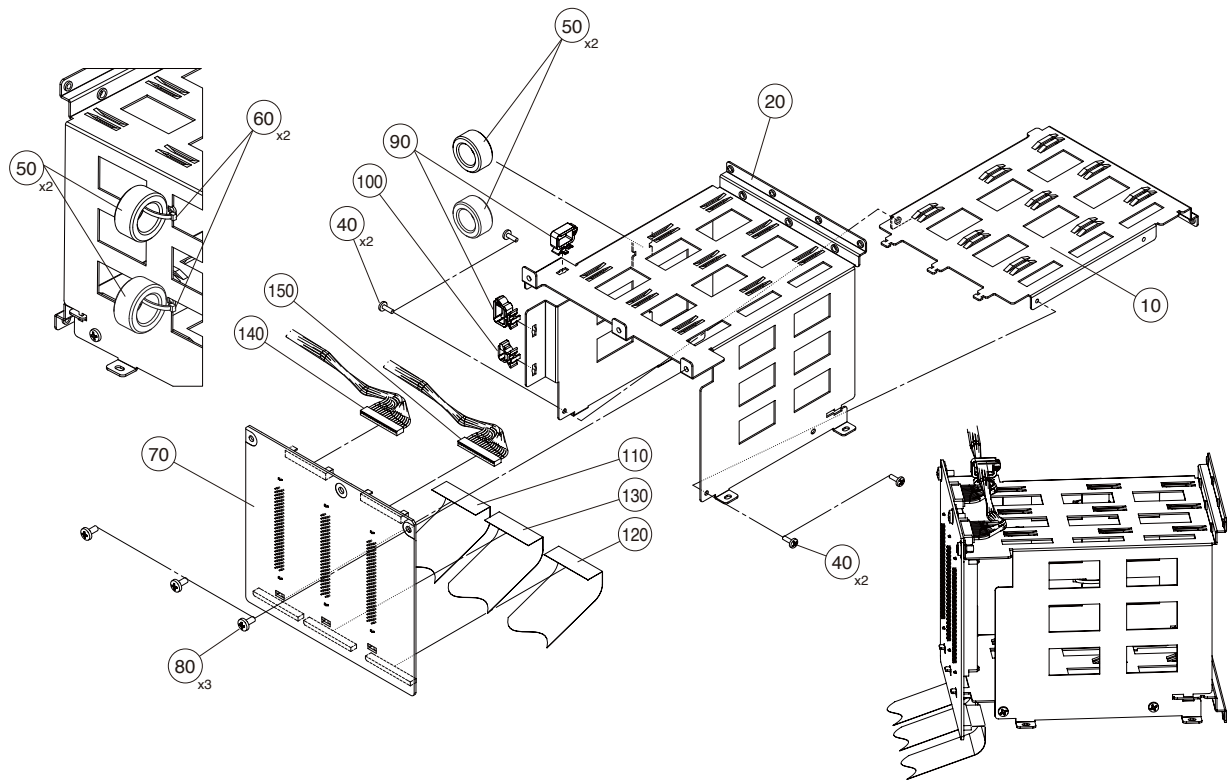


REF NO.	PART NO.	DESCRIPTION	部 品 名	REMARKS	QTY	RANK
	--	AC ASSEMBLY	A C ア セ ン ブ リ	CL5		
*	10	WY647300	AC ASSEMBLY	A C ア セ ン ブ リ	(WY54550)	
	20	--	CIRCUIT BOARD	A C ア セ ン ブ リ	(WY64710)	
	30	WE96180R	AC ANGLE B	A C ア ン グ ル B	(WY54530)	
	40	WE774400	BIND HEAD TAPPING SCREW-B	小 ネ ジ + B I N D		2 01
⚠	50	WZ810800	3.0X5 MFZN2B3	B タ イ ト + B I N D		3 01
⚠	50a	--	3.0X8 MFZN2B3	AC INLET&FASTON	インレット A s s ' y	
	50b	--	AC INLET	3P LOCK TYPE, BLK 112	A C イ ン レ ッ ト	(WZ32910)
	60	WF266800	FERRITE CORE	K1T25.0X12.0X15	フ ェ ラ イ ト コ ア	(WE49120)
	70	--	FLAT HEAD TAPPING SCREW-B	3.0X8 MFZN2B3	B タ イ ト + F L A T	
	80	WZ851500	INSULATION-LOCK TIE	AB-80	イ ン シ ュ ロ ッ ク タ イ	(WH68230)
*	90	--	CONNECTOR ASSEMBLY	AC	束 線	
	100	CB828530	AC ANGLE T	AC	A C ア ン グ ル T	(WY54540)
	110	WE774400	SADDLE	EDS-1	エ ッ ジ サ ド ル	
	120	VL81290R	BIND HEAD TAPPING SCREW-B	3.0X8 MFZN2B3	B タ イ ト + B I N D	
					P S W ノ ブ	POWER
						2 01
						4 01
						03

*: New Parts

RANK: Japan only

■ OPT ASSEMBLY (OPT Ass'y)

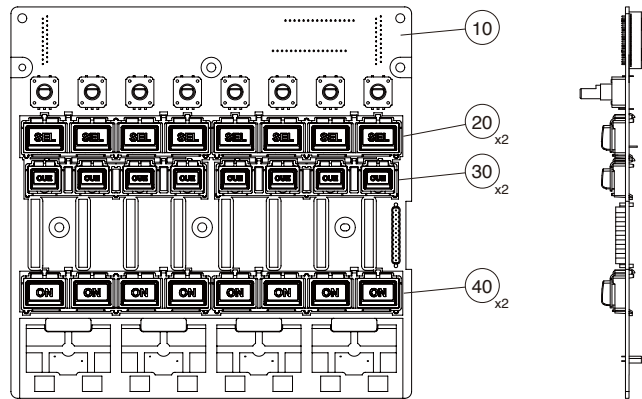


REF NO.	PART NO.	DESCRIPTION		部 品 名	REMARKS	QTY	RANK
		OPT ASSEMBLY		O P T A s s ' y	CL5		
	--	OPT ASSEMBLY		O P T A s s ' y			
10	--	OPT ANGLE BOTTOM		O P T 金 具 下	(WY44080)		
20	--	OPT ANGLE TOP		O P T 金 具 上	(WY52890)		
40	WE774400	BIND HEAD TAPPING SCREW-B	3.0X8 MFZN2B3	B タイト + B I N D	(WY42060)	4	01
50	--	FERRITE CORE	K1T25.0X12.0X15	フェライトコア	(WE49120)	2	01
60	--	INSULATION-LOCK TIE	AB-80	インシュロックタイ	(WH68230)	2	
* 70	WY634800	CIRCUIT BOARD	OPT	O P T シ ー ト			
80	WE99480R	BIND HEAD TAPPING SCREW-S	4.0X8 MFZN2B3	S タイト + B I N D		3	01
90	--	REUSE CLAMP	RLWT-2V0 TTK	リユースクランプ	(WP87970)	2	
100	--	REUSE CLAMP	RLWT-0.5V0 TTK	リユースクランプ	(WZ86170)		
* 110	WZ834300	FFC CABLE	38P L=150mm P=1.0	F F C ケ ー ブ ル			
* 120	WZ834400	FFC CABLE	38P L=80mm P=1.0	F F C ケ ー ブ ル			
* 130	WZ834500	FFC CABLE	40P L=140mm P=1.0	F F C ケ ー ブ ル			
140	--	CONNECTOR ASSEMBLY	PH 16P-300	P H 束 線	(WD34240)		
150	--	CONNECTOR ASSEMBLY	PH 16P-350	P H 束 線	(WD34250)		

*: New Parts

RANK: Japan only

■ PN8 ADDED BUTTON (PN8 ボタン付)

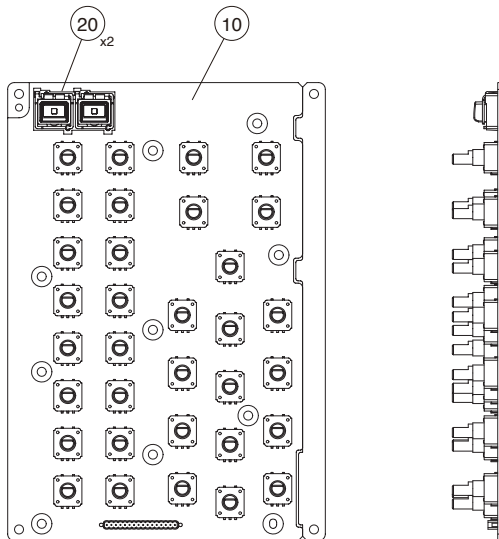


REF NO.	PART NO.	DESCRIPTION	部 品 名	REMARKS	QTY	RANK
*	10	PN8 ADDED BUTTON PN8 ADDED BUTTON CIRCUIT BOARD	PN8 PN8 PN8	CL5 (WY53120)		
*	20	WY709800 BUTTON L	LARGE 4P SEL	SEL	2	
*	30	WY710000 BUTTON S	SMALL 4P CUE	CUE	2	
*	40	WY709900 BUTTON L	LARGE 4P ON	ON	2	

*: New Parts

RANK: Japan only

■ PNENL ADDED BUTTON (PNENL ボタン付)

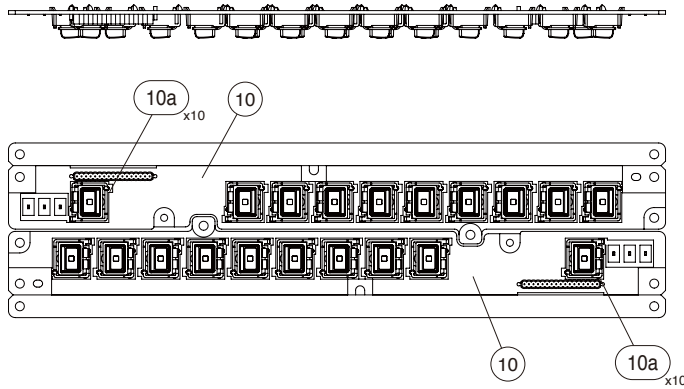


REF NO.	PART NO.	DESCRIPTION	部 品 名	REMARKS	QTY	RANK
*	10	PNENL ADDED BUTTON PNENL ADDED BUTTON CIRCUIT BOARD	PNENL PNENL PNENL	CL5 (WY53130)		
*	20	WY710400 BUTTON S	SMALL SQUARE	MIX1-6/MIX17-24/MATRIX	2	

*: New Parts

RANK: Japan only

■ PNICOM ADDED BUTTON (PNICOM ボタン付)

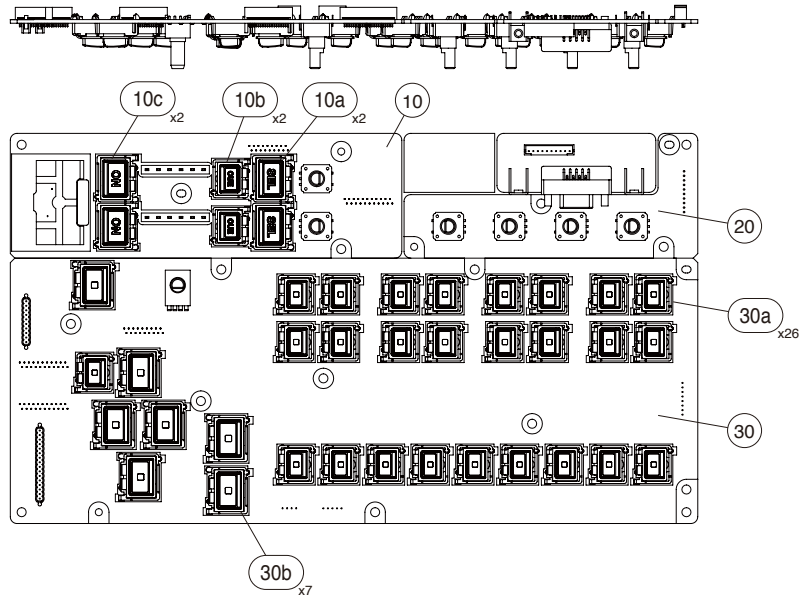


REF NO.	PART NO.	DESCRIPTION	部 品 名	REMARKS	QTY	RANK
* 10	WZ789800	PNICOM ADDED BUTTON	P N I C O M ボタン付	CL5		
* 10a	WY531500	PNICOM ADDED BUTTON	P N I C O M ボタン付	(WY53140)		
	WY710400	CIRCUIT BOARD	P N I シ ー ト		10	
		BUTTON S	ボ タ ン 小 四 角			

*: New Parts

RANK: Japan only

■ PNMCOM ADDED BUTTON (PNMCOM ボタン付)



REF NO.	PART NO.	DESCRIPTION	部 品 名	REMARKS	QTY	RANK
	--	PNMCOM ADDED BUTTON	P N M C O M ボタン付	CL5		
		PNMCOM ADDED BUTTON	P N M C O M ボタン付	(WZ79000)		
* 10	WY531800	CIRCUIT BOARD	P N 2 シ ー ト	(WY53160)		
* 10a	WY710200	BUTTON L	ボ タ ン 大 S E L	SEL	2	
* 10b	WY710500	BUTTON S	ボ タ ン 小 C U E	CUE	2	
* 10c	WY710300	BUTTON L	ボ タ ン 大 O N	ON	2	
* 20	WY531900	CIRCUIT BOARD	P N E N R (PNMCOM)	(WY53160)		
* 30	WY531700	CIRCUIT BOARD	P N M (PNMCOM)	(WY53160)		
* 30a	WY710400	BUTTON S	ボ タ ン 小 四 角		26	
* 30b	WY710100	BUTTON L	ボ タ ン 大 四 角		7	

*: New Parts

RANK: Japan only

ELECTRICAL PARTS (電気部品)

AC/DC and CPU

REF NO.	PART NO.	DESCRIPTION	部 品 名	REMARKS	QTY	RANK
		ELECTRICAL PARTS	電 気 部 品	CL5		
*	WY647300	CIRCUIT BOARD	AC (ACCOM)	A C シ ー ト	(WY64710)(YD590B0)	
*	WY647200	CIRCUIT BOARD	DC (ACCOM)	D C シ ー ト	(WY64710)(YD590B0)	
*	WY677500	CIRCUIT BOARD	CPU	C P U シ ー ト	(YD598B0)	
*	WY643500	CIRCUIT BOARD	DA	D A シ ー ト	(YD588C0)	
*	WY647400	CIRCUIT BOARD	DCMS	D C M S シ ー ト	(YD591C0)	
*	--	CIRCUIT BOARD	DNTU	D N T U シ ー ト	(WZ20390)(YD593C0)	
*	ZE930500	DNTU SHEET ASSEMBLY CS	DNTU CS	D N T U シ ー ト A s s ' y C S	without DANTE MODULE (YD593C0)	
*	WZ815700	DANTE MODULE 64CH	J U, H	ダンテモジュール64		
*	WY635200	CIRCUIT BOARD	DSP	D S P シ ー ト	(YD584C0)	
*	WY643300	CIRCUIT BOARD	FD2 (FDCOM)	F D 2 シ ー ト	(WY83040)(YD586D0)	
*	WY643200	CIRCUIT BOARD	FD8CN (FDCOM)	F D 8 C N シ ー ト	(WY83040)(YD586D0)	
*	WY830500	CIRCUIT BOARD	FD8	F D 8 シ ー ト	(YD586D0)	
*	WY635300	CIRCUIT BOARD	FX	F X シ ー ト	(YD585B0)	
*	WY643401	CIRCUIT BOARD	HAAD (NEW)	H A A D シ ー ト	(YE625D0)	35
*	WY634900	CIRCUIT BOARD	JK	J K シ ー ト	(YD583B0)	
*	WY677700	CIRCUIT BOARD	LCDC (LCDCOM)	L C D C シ ー ト	(WY93730)(YD600C0)	
*	WY677600	CIRCUIT BOARD	USB (LCDCOM)	U S B シ ー ト	(WY93730)(YD600C0)	
*	WY532100	CIRCUIT BOARD	MB (MBCOM)	M B シ ー ト	(WY53200)(YD538C0)	
*	WY634800	CIRCUIT BOARD	OPT	O P T シ ー ト	(YD582A0)	
*	WY531800	CIRCUIT BOARD	PN2 (PNMCOM)	P N 2 シ ー ト	(WY53160)(YD537C0)	
*	WY531900	CIRCUIT BOARD	PNENR (PNMCOM)	P N E N R シ ー ト	(WY53160)(YD537C0)	
*	WY531700	CIRCUIT BOARD	PNM (PNMCOM)	P N M シ ー ト	(WY53160)(YD537C0)	
*	--	CIRCUIT BOARD	PN8	P N 8 シ ー ト	(YD534C0) (WY53120)	
*	--	CIRCUIT BOARD	PNENL	P N E N L シ ー ト	(YD535C0) (WY53130)	
*	WY531500	CIRCUIT BOARD	PNI (PNICOM)	P N I シ ー ト	(WY53140)(YD536C0)	
*	WY643600	CIRCUIT BOARD	TBPHN	T B P H N シ ー ト	(YD589C0)	
*	WY647300	CIRCUIT BOARD	AC (ACCOM)	A C シ ー ト	(WY64710)(YD590B0)	
*	WY647200	CIRCUIT BOARD	DC (ACCOM)	D C シ ー ト	(WY64710)(YD590B0)	
	--	JUMPER WIRE	0.55	ジャンパー線	(VA07890)	
	IL00068R	SHEET, RADIATER	BFG-20 D-3	放 熱 シ ー ト		01
	WF304400	BIND HEAD SCREW	3.0X10 MFZN2B3	小ネジ+BIND		01
C101	WK463500	CAPACITOR	0.010 250V J.U.C.B	規格認定コンキ		01
C102	WK463500	CAPACITOR	0.010 250V J.U.C.B	規格認定コンキ		01
C103	WU247300	CAPACITOR	0.220 310V U.C.S	規格認定コン		01
C104	WU247300	CAPACITOR	0.220 310V U.C.S	規格認定コン		01
C201	WW674900	MONOLITHIC CERAMIC CAPACITOR	0.100 50V K TATETE	積層セラコン		01
C203	WW674900	MONOLITHIC CERAMIC CAPACITOR	0.100 50V K TATETE	積層セラコン		01
CN101	LB93205R	CONNECTOR	VH 5P TE	ベースポスト		01
CN201	LB93205R	CONNECTOR	VH 5P TE	ベースポスト		01
CN202	LB93206R	CONNECTOR	VH 6P TE	ベースポスト		01
CN203	LB932100	CONNECTOR	VH 10P TE	ベースポスト		02
CN204	LB932090	CONNECTOR	VH 9P TE	ベースポスト		01
CN205	LB932100	CONNECTOR	VH 10P TE	ベースポスト		02
CN206	LB93205R	CONNECTOR	VH 5P TE	ベースポスト		01
CN207	VB39000R	CONNECTOR	PH 4P TE	ベースポスト		01
DA101	WU286800	SCHOTTKY BARRIER DIODE	S60SC4MT 60A 40V	ショットキダイオード		07
IC201	WP388200	PHOTO COUPLER	TLP781(D4-GR,F)	フォトカプラ		01
K101	WF243600	FASTON TABU	250SHIRI-ZU 86028	ファストンタブ		01
K102	WF243600	FASTON TABU	250SHIRI-ZU 86028	ファストンタブ		01
K201	--	HEAT SINK	OSH-2046-L40-WFL	放 熱 器	(WE28630)	
K202	--	EARTH PLATE		アースプレート	(WA20680)	
L101	WE20500R	COIL	SC-22-08-100	S C コ イ ル		08
R201	VC74840R	METAL OXIDE FILM RESISTOR	2.2K 1W J	酸化金属被膜抵抗		01
SW101	WE24830R	PUSH SWITCH	SY17-4-2(U1D1)/T U	プッシュSW	POWER	05
*	WY677500	CIRCUIT BOARD	CPU	C P U シ ー ト	(YD598B0)	
	--	MAC ADDRESS LABEL		M A C ア ド レ ス ラ ベ ル	(WH26440)	
BT501	WR846000	BATTERY HOLDER	BCR20H5	電池ホルダー		03
C101	US635100	CERAMIC CAPACITOR (CHIP)	0.100 16V Z RECT.	チップセラ(F)		01
-110	US635100	CERAMIC CAPACITOR (CHIP)	0.100 16V Z RECT.	チップセラ(F)		01
C119	WG251600	CERAMIC CAPACITOR (CHIP)	4.7 6.3V K RECT.	チップセラ		01
C120	US635100	CERAMIC CAPACITOR (CHIP)	0.100 16V Z RECT.	チップセラ(F)		01
-125	US635100	CERAMIC CAPACITOR (CHIP)	0.100 16V Z RECT.	チップセラ(F)		01
C130	WG251600	CERAMIC CAPACITOR (CHIP)	4.7 6.3V K RECT.	チップセラ		01
C131	US635100	CERAMIC CAPACITOR (CHIP)	0.100 16V Z RECT.	チップセラ(F)		01
-146	US635100	CERAMIC CAPACITOR (CHIP)	0.100 16V Z RECT.	チップセラ(F)		01
C147	WG251600	CERAMIC CAPACITOR (CHIP)	4.7 6.3V K RECT.	チップセラ		01
C148	US635100	CERAMIC CAPACITOR (CHIP)	0.100 16V Z RECT.	チップセラ(F)		01

*: New Parts

RANK: Japan only

CPU

REF NO.	PART NO.	DESCRIPTION	部 品 名	REMARKS	QTY	RANK
C149	US635100	CERAMIC CAPACITOR (CHIP)	0.100 16V Z RECT.	チップセラ (F)		01
C150	WG251600	CERAMIC CAPACITOR (CHIP)	4.7 6.3V K RECT.	チップセラ		01
C151	US635100	CERAMIC CAPACITOR (CHIP)	0.100 16V Z RECT.	チップセラ (F)		01
C152	US635100	CERAMIC CAPACITOR (CHIP)	0.100 16V Z RECT.	チップセラ (F)		01
C153	WG251600	CERAMIC CAPACITOR (CHIP)	4.7 6.3V K RECT.	チップセラ		01
C154	US635100	CERAMIC CAPACITOR (CHIP)	0.100 16V Z RECT.	チップセラ (F)		01
C155	US635100	CERAMIC CAPACITOR (CHIP)	0.100 16V Z RECT.	チップセラ (F)		01
C156	WG251600	CERAMIC CAPACITOR (CHIP)	4.7 6.3V K RECT.	チップセラ		01
C157	US635100	CERAMIC CAPACITOR (CHIP)	0.100 16V Z RECT.	チップセラ (F)		01
C158	US635100	CERAMIC CAPACITOR (CHIP)	0.100 16V Z RECT.	チップセラ (F)		01
C159	WG251600	CERAMIC CAPACITOR (CHIP)	4.7 6.3V K RECT.	チップセラ		01
C160	US635100	CERAMIC CAPACITOR (CHIP)	0.100 16V Z RECT.	チップセラ (F)		01
C161	US635100	CERAMIC CAPACITOR (CHIP)	0.100 16V Z RECT.	チップセラ (F)		01
C162	WG251600	CERAMIC CAPACITOR (CHIP)	4.7 6.3V K RECT.	チップセラ		01
C163	US635100	CERAMIC CAPACITOR (CHIP)	0.100 16V Z RECT.	チップセラ (F)		01
C164	WG251600	CERAMIC CAPACITOR (CHIP)	4.7 6.3V K RECT.	チップセラ		01
C165	US635100	CERAMIC CAPACITOR (CHIP)	0.100 16V Z RECT.	チップセラ (F)		01
C166	WG251600	CERAMIC CAPACITOR (CHIP)	4.7 6.3V K RECT.	チップセラ		01
C167	US635100	CERAMIC CAPACITOR (CHIP)	0.100 16V Z RECT.	チップセラ (F)		01
C168	US634100	CERAMIC CAPACITOR (CHIP)	0.010 16V K RECT.	チップセラ (B)		01
C169	US663100	CERAMIC CAPACITOR (CHIP)	1000P 50V K RECT.	チップセラ (B)		01
C170	US635100	CERAMIC CAPACITOR (CHIP)	0.100 16V Z RECT.	チップセラ (F)		01
C171	WD758200	CERAMIC CAPACITOR (CHIP)	47U 6.3V M RECT.	チップセラ		01
C173	WD758200	CERAMIC CAPACITOR (CHIP)	47U 6.3V M RECT.	チップセラ		01
C174	WD758200	CERAMIC CAPACITOR (CHIP)	47U 6.3V M RECT.	チップセラ		01
C176	WD758200	CERAMIC CAPACITOR (CHIP)	47U 6.3V M RECT.	チップセラ		01
C177	US126100	CERAMIC CAPACITOR (CHIP)	1.0000 10V Z RECT.	チップセラ F		01
C178	US661100	CERAMIC CAPACITOR (CHIP)	10P 50V D RECT.	チップセラ (C H)		01
C179	US663100	CERAMIC CAPACITOR (CHIP)	1000P 50V K RECT.	チップセラ (B)		01
C180	US663100	CERAMIC CAPACITOR (CHIP)	1000P 50V K RECT.	チップセラ (B)		01
C181	US661100	CERAMIC CAPACITOR (CHIP)	10P 50V D RECT.	チップセラ (C H)		01
C182	US663100	CERAMIC CAPACITOR (CHIP)	1000P 50V K RECT.	チップセラ (B)		01
C201	WG888300	MONOLITHIC CERAMIC CAP(CHIP)	10.0 6.3V K TP	チップ積層セラコン		01
C202	US635100	CERAMIC CAPACITOR (CHIP)	0.100 16V Z RECT.	チップセラ (F)		01
C203	US635100	CERAMIC CAPACITOR (CHIP)	0.100 16V Z RECT.	チップセラ (F)		01
C207	US635100	CERAMIC CAPACITOR (CHIP)	0.100 16V Z RECT.	チップセラ (F)		01
-210	US635100	CERAMIC CAPACITOR (CHIP)	0.100 16V Z RECT.	チップセラ (F)		01
C213	US635100	CERAMIC CAPACITOR (CHIP)	0.100 16V Z RECT.	チップセラ (F)		01
-216	US635100	CERAMIC CAPACITOR (CHIP)	0.100 16V Z RECT.	チップセラ (F)		01
C218	US635100	CERAMIC CAPACITOR (CHIP)	0.100 16V Z RECT.	チップセラ (F)		01
-221	US635100	CERAMIC CAPACITOR (CHIP)	0.100 16V Z RECT.	チップセラ (F)		01
C301	US635100	CERAMIC CAPACITOR (CHIP)	0.100 16V Z RECT.	チップセラ (F)		01
-338	US635100	CERAMIC CAPACITOR (CHIP)	0.100 16V Z RECT.	チップセラ (F)		01
C403	US635100	CERAMIC CAPACITOR (CHIP)	0.100 16V Z RECT.	チップセラ (F)		01
C405	US635100	CERAMIC CAPACITOR (CHIP)	0.100 16V Z RECT.	チップセラ (F)		01
-409	US635100	CERAMIC CAPACITOR (CHIP)	0.100 16V Z RECT.	チップセラ (F)		01
C412	US635100	CERAMIC CAPACITOR (CHIP)	0.100 16V Z RECT.	チップセラ (F)		01
C415	US635100	CERAMIC CAPACITOR (CHIP)	0.100 16V Z RECT.	チップセラ (F)		01
C416	WJ932600	CERAMIC CAPACITOR (CHIP)	2.2 6.3V M KAKUTE	チップセラコン		01
C417	US635100	CERAMIC CAPACITOR (CHIP)	0.100 16V Z RECT.	チップセラ (F)		01
C418	UF03722R	ELECTROLYTIC CAP. (CHIP)	22 16V	チップケミコン		01
C419	US635100	CERAMIC CAPACITOR (CHIP)	0.100 16V Z RECT.	チップセラ (F)		01
-421	US635100	CERAMIC CAPACITOR (CHIP)	0.100 16V Z RECT.	チップセラ (F)		01
C430	US663100	CERAMIC CAPACITOR (CHIP)	1000P 50V K RECT.	チップセラ (B)		01
C431	US663100	CERAMIC CAPACITOR (CHIP)	1000P 50V K RECT.	チップセラ (B)		01
C470	US635100	CERAMIC CAPACITOR (CHIP)	0.100 16V Z RECT.	チップセラ (F)		01
C471	WG888300	MONOLITHIC CERAMIC CAP(CHIP)	10.0 6.3V K TP	チップ積層セラコン		01
C472	WG888300	MONOLITHIC CERAMIC CAP(CHIP)	10.0 6.3V K TP	チップ積層セラコン		01
C501	US635100	CERAMIC CAPACITOR (CHIP)	0.100 16V Z RECT.	チップセラ (F)		01
C502	US635100	CERAMIC CAPACITOR (CHIP)	0.100 16V Z RECT.	チップセラ (F)		01
C505	WG251600	CERAMIC CAPACITOR (CHIP)	4.7 6.3V K RECT.	チップセラ		01
C510	US635100	CERAMIC CAPACITOR (CHIP)	0.100 16V Z RECT.	チップセラ (F)		01
-522	US635100	CERAMIC CAPACITOR (CHIP)	0.100 16V Z RECT.	チップセラ (F)		01
C530	US635100	CERAMIC CAPACITOR (CHIP)	0.100 16V Z RECT.	チップセラ (F)		01
-534	US635100	CERAMIC CAPACITOR (CHIP)	0.100 16V Z RECT.	チップセラ (F)		01
C540	US635100	CERAMIC CAPACITOR (CHIP)	0.100 16V Z RECT.	チップセラ (F)		01
-544	US635100	CERAMIC CAPACITOR (CHIP)	0.100 16V Z RECT.	チップセラ (F)		01
C560	US635100	CERAMIC CAPACITOR (CHIP)	0.100 16V Z RECT.	チップセラ (F)		01
-567	US635100	CERAMIC CAPACITOR (CHIP)	0.100 16V Z RECT.	チップセラ (F)		01
C601	UF11822R	ELECTROLYTIC CAP. (CHIP)	220 6.3V	チップケミコン		01

*: New Parts

RANK: Japan only

CPU

REF NO.	PART NO.	DESCRIPTION	部 品 名	REMARKS	QTY	RANK
C603	US635100	CERAMIC CAPACITOR (CHIP)	0.100 16V Z RECT.	チップセラ(F)		01
-608	US635100	CERAMIC CAPACITOR (CHIP)	0.100 16V Z RECT.	チップセラ(F)		01
CN402	WM300100	PIN HEADER	FI 20P SE	ピンヘッダー		08
CN601	WF02510R	CONNECTOR	53481 180P TE	基板用コネクタ		07
D501	VV61730R	DIODE (CHIP)	RB751V-40 TE17 TP	チップダイオード		01
D502	VV61730R	DIODE (CHIP)	RB751V-40 TE17 TP	チップダイオード		01
EM601	ZC805200	EMI FILTER (CHIP)	31PT222Z1E9L TP	チップエミフィル		01
FT501	WA847500	FET	2SK2158-T1B TP	F E T		01
FT510	WA847500	FET	2SK2158-T1B TP	F E T		01
IC101	--	IC	R8A77240D500BG	I C	CPU (YD492A0)	
IC103	YC386A00	IC	R3112N301A-TR-F	I C	VOLTAGE DETECTOR	01
IC104	XY806A0R	IC	TC7WH14FU(TE12L,F)	I C	INVERTER	02
IC105	YD559A00	IC	LTC3615EUF#TRPBF	I C	DC-DC CONVERTER	
IC106	X9347A00	IC	R3112N291A-TR-F	I C	VOLTAGE DETECTOR	01
IC201	XY937B00	IC	CY2305CSXC-1T	I C	CLOCK BUFFER	04
IC202	YE003A00	IC	EPM240T100C5N	I C	CPLD	
IC203	YD709A00	IC	PCA9665PW,118	I C	I2C-BUS CONTROLLER	
IC204	YD623A00	IC	MR0A16ACYS35	I C	MRAM 1M	
IC205	--	IC	S29GL512S10TFI020	I C	FLASH ROM 512M (YD981A0)	
IC301	--	IC	NT5TU64M16GG-AC	I C	DDR2-SDRAM 1G (YD704A0)	
IC302	--	IC	NT5TU64M16GG-AC	I C	DDR2-SDRAM 1G (YD704A0)	
IC401	X4212A0R	IC	SN75LVDS84ADGGR	I C	LVDS TRANSMITTERS	05
IC402	YD367B00	IC	KSZ8051RNL	I C	PHY	
IC470	XW948A0R	IC	TC7WH08FU(TE12L,F)	I C	AND	01
IC502	X7245A00	IC	RV5C387A-E2-F	I C	REAL TIME CLOCK	04
IC503	YD614A00	IC	LT6703HVCSS5-3#TRPB	I C	COMPARATOR	
IC602	XU797B01	IC	TC74VHC245FT	I C	TRANSCEIVER	02
-607	XU797B01	IC	TC74VHC245FT	I C	TRANSCEIVER	02
L101	WM457500	COIL	1.5uH Y 7E04NA-1R5N-R SMD	コイル 1.5 U		01
L102	WM457500	COIL	1.5uH Y 7E04NA-1R5N-R SMD	コイル 1.5 U		01
L201	WD001100	CHIP INDUCTOR	BLM31PG330SN1L	チップインダクタ		01
L401	V2449900	CHIP INDUCTOR	BLM21PG600SN1D	チップインダクタ		01
L402	V2449900	CHIP INDUCTOR	BLM21PG600SN1D	チップインダクタ		01
L403	WG834800	COIL	DLW21HN900SQ2L	コイル		01
-406	WG834800	COIL	DLW21HN900SQ2L	コイル		01
L407	V2449900	CHIP INDUCTOR	BLM21PG600SN1D	チップインダクタ		01
R101	RD456470	CARBON RESISTOR (CHIP)	4.7K 63M J RECT.	チップ抵抗		01
R102	RD456470	CARBON RESISTOR (CHIP)	4.7K 63M J RECT.	チップ抵抗		01
R103	RD45000R	CARBON RESISTOR (CHIP)	0.00 63M J RECT.	チップ抵抗		01
R106	RD456470	CARBON RESISTOR (CHIP)	4.7K 63M J RECT.	チップ抵抗		01
R107	RD456470	CARBON RESISTOR (CHIP)	4.7K 63M J RECT.	チップ抵抗		01
R108	RD454390	CARBON RESISTOR (CHIP)	39.0 63M J RECT.	チップ抵抗		01
R109	RD454390	CARBON RESISTOR (CHIP)	39.0 63M J RECT.	チップ抵抗		01
R110	RD456220	CARBON RESISTOR (CHIP)	2.2K 63M J RECT.	チップ抵抗		01
R111	RD454390	CARBON RESISTOR (CHIP)	39.0 63M J RECT.	チップ抵抗		01
R112	RA158100	METAL FILM RESISTOR (CHIP)	100.0K 63M D RECT.	チップ金被抵抗		01
R113	RA158100	METAL FILM RESISTOR (CHIP)	100.0K 63M D RECT.	チップ金被抵抗		01
R114	RD45000R	CARBON RESISTOR (CHIP)	0.00 63M J RECT.	チップ抵抗		01
R115	RD45000R	CARBON RESISTOR (CHIP)	0.00 63M J RECT.	チップ抵抗		01
R116	RA157510	METAL FILM RESISTOR (CHIP)	51.0K 63M D RECT.	チップ金被抵抗		01
R117	RA158100	METAL FILM RESISTOR (CHIP)	100.0K 63M D RECT.	チップ金被抵抗		01
R118	RD454100	CARBON RESISTOR (CHIP)	10.0 63M J RECT.	チップ抵抗		01
R119	RD45000R	CARBON RESISTOR (CHIP)	0.00 63M J RECT.	チップ抵抗		01
R121	RD45747R	CARBON RESISTOR (CHIP)	47.0K 63M J RECT.	チップ抵抗		01
R122	RD45747R	CARBON RESISTOR (CHIP)	47.0K 63M J RECT.	チップ抵抗		01
R124	RD457150	CARBON RESISTOR (CHIP)	15.0K 63M J RECT.	チップ抵抗		01
R125	RD457150	CARBON RESISTOR (CHIP)	15.0K 63M J RECT.	チップ抵抗		01
R127	RD45747R	CARBON RESISTOR (CHIP)	47.0K 63M J RECT.	チップ抵抗		01
R128	RD45747R	CARBON RESISTOR (CHIP)	47.0K 63M J RECT.	チップ抵抗		01
R129	RD45000R	CARBON RESISTOR (CHIP)	0.00 63M J RECT.	チップ抵抗		01
R130	RD456470	CARBON RESISTOR (CHIP)	4.7K 63M J RECT.	チップ抵抗		01
R140	RD454390	CARBON RESISTOR (CHIP)	39.0 63M J RECT.	チップ抵抗		01
R201	RD454390	CARBON RESISTOR (CHIP)	39.0 63M J RECT.	チップ抵抗		01
-205	RD454390	CARBON RESISTOR (CHIP)	39.0 63M J RECT.	チップ抵抗		01
R209	RD454390	CARBON RESISTOR (CHIP)	39.0 63M J RECT.	チップ抵抗		01
R210	RD454390	CARBON RESISTOR (CHIP)	39.0 63M J RECT.	チップ抵抗		01
R221	RD45000R	CARBON RESISTOR (CHIP)	0.00 63M J RECT.	チップ抵抗		01
R223	RD454390	CARBON RESISTOR (CHIP)	39.0 63M J RECT.	チップ抵抗		01
R224	RD454390	CARBON RESISTOR (CHIP)	39.0 63M J RECT.	チップ抵抗		01
R225	RD456220	CARBON RESISTOR (CHIP)	2.2K 63M J RECT.	チップ抵抗		01

*: New Parts

RANK: Japan only

CPU

REF NO.	PART NO.	DESCRIPTION		部	品	名	REMARKS	QTY	RANK
R226	RD456220	CARBON RESISTOR (CHIP)	2.2K 63M J RECT.	チ	ッ	ブ 抵 抗			01
R235	RD45000R	CARBON RESISTOR (CHIP)	0.00 63M J RECT.	チ	ッ	ブ 抵 抗			01
-237	RD45000R	CARBON RESISTOR (CHIP)	0.00 63M J RECT.	チ	ッ	ブ 抵 抗			01
R250	RD454390	CARBON RESISTOR (CHIP)	39.0 63M J RECT.	チ	ッ	ブ 抵 抗			01
R251	RD454390	CARBON RESISTOR (CHIP)	39.0 63M J RECT.	チ	ッ	ブ 抵 抗			01
R257	RD454390	CARBON RESISTOR (CHIP)	39.0 63M J RECT.	チ	ッ	ブ 抵 抗			01
-260	RD454390	CARBON RESISTOR (CHIP)	39.0 63M J RECT.	チ	ッ	ブ 抵 抗			01
R264	RD454390	CARBON RESISTOR (CHIP)	39.0 63M J RECT.	チ	ッ	ブ 抵 抗			01
R267	RD454390	CARBON RESISTOR (CHIP)	39.0 63M J RECT.	チ	ッ	ブ 抵 抗			01
R301	RD454390	CARBON RESISTOR (CHIP)	39.0 63M J RECT.	チ	ッ	ブ 抵 抗			01
-304	RD454390	CARBON RESISTOR (CHIP)	39.0 63M J RECT.	チ	ッ	ブ 抵 抗			01
R305	RD45000R	CARBON RESISTOR (CHIP)	0.00 63M J RECT.	チ	ッ	ブ 抵 抗			01
R306	RA155100	METAL FILM RESISTOR (CHIP)	100.0 63M D RECT.	チ	ッ	ブ 金 被 抵 抗			01
-312	RA155100	METAL FILM RESISTOR (CHIP)	100.0 63M D RECT.	チ	ッ	ブ 金 被 抵 抗			01
R406	RD454390	CARBON RESISTOR (CHIP)	39.0 63M J RECT.	チ	ッ	ブ 抵 抗			01
-409	RD454390	CARBON RESISTOR (CHIP)	39.0 63M J RECT.	チ	ッ	ブ 抵 抗			01
* R411	RA156560	METAL FILM RESISTOR (CHIP)	5.6K 63M D RECT.	チ	ッ	ブ 金 被 抵 抗			01
* R412	RA156560	METAL FILM RESISTOR (CHIP)	5.6K 63M D RECT.	チ	ッ	ブ 金 被 抵 抗			01
R413	RD454390	CARBON RESISTOR (CHIP)	39.0 63M J RECT.	チ	ッ	ブ 抵 抗			01
R415	RD456470	CARBON RESISTOR (CHIP)	4.7K 63M J RECT.	チ	ッ	ブ 抵 抗			01
R416	RD45000R	CARBON RESISTOR (CHIP)	0.00 63M J RECT.	チ	ッ	ブ 抵 抗			01
R418	RD455680	CARBON RESISTOR (CHIP)	680.0 63M J RECT.	チ	ッ	ブ 抵 抗			01
* R419	RD455620	CARBON RESISTOR (CHIP)	620.0 63M J RECT.	チ	ッ	ブ 抵 抗			01
R420	RD456470	CARBON RESISTOR (CHIP)	4.7K 63M J RECT.	チ	ッ	ブ 抵 抗			01
R426	RD456470	CARBON RESISTOR (CHIP)	4.7K 63M J RECT.	チ	ッ	ブ 抵 抗			01
R427	RD456180	CARBON RESISTOR (CHIP)	1.8K 63M J RECT.	チ	ッ	ブ 抵 抗			01
R430	RD456470	CARBON RESISTOR (CHIP)	4.7K 63M J RECT.	チ	ッ	ブ 抵 抗			01
R433	RD454390	CARBON RESISTOR (CHIP)	39.0 63M J RECT.	チ	ッ	ブ 抵 抗			01
R440	RD454750	CARBON RESISTOR (CHIP)	75.0 63M J RECT.	チ	ッ	ブ 抵 抗			01
R441	RD454750	CARBON RESISTOR (CHIP)	75.0 63M J RECT.	チ	ッ	ブ 抵 抗			01
R450	RD45000R	CARBON RESISTOR (CHIP)	0.00 63M J RECT.	チ	ッ	ブ 抵 抗			01
-453	RD45000R	CARBON RESISTOR (CHIP)	0.00 63M J RECT.	チ	ッ	ブ 抵 抗			01
R454	RD456470	CARBON RESISTOR (CHIP)	4.7K 63M J RECT.	チ	ッ	ブ 抵 抗			01
R456	RD454390	CARBON RESISTOR (CHIP)	39.0 63M J RECT.	チ	ッ	ブ 抵 抗			01
R457	RD455100	CARBON RESISTOR (CHIP)	100.0 63M J RECT.	チ	ッ	ブ 抵 抗			01
R458	RD454390	CARBON RESISTOR (CHIP)	39.0 63M J RECT.	チ	ッ	ブ 抵 抗			01
R459	RD456470	CARBON RESISTOR (CHIP)	4.7K 63M J RECT.	チ	ッ	ブ 抵 抗			01
-462	RD456470	CARBON RESISTOR (CHIP)	4.7K 63M J RECT.	チ	ッ	ブ 抵 抗			01
R463	RD454390	CARBON RESISTOR (CHIP)	39.0 63M J RECT.	チ	ッ	ブ 抵 抗			01
-465	RD454390	CARBON RESISTOR (CHIP)	39.0 63M J RECT.	チ	ッ	ブ 抵 抗			01
R466	RD456220	CARBON RESISTOR (CHIP)	2.2K 63M J RECT.	チ	ッ	ブ 抵 抗			01
R467	RD456220	CARBON RESISTOR (CHIP)	2.2K 63M J RECT.	チ	ッ	ブ 抵 抗			01
R470	RD456470	CARBON RESISTOR (CHIP)	4.7K 63M J RECT.	チ	ッ	ブ 抵 抗			01
-473	RD456470	CARBON RESISTOR (CHIP)	4.7K 63M J RECT.	チ	ッ	ブ 抵 抗			01
R503	RD456470	CARBON RESISTOR (CHIP)	4.7K 63M J RECT.	チ	ッ	ブ 抵 抗			01
-505	RD456470	CARBON RESISTOR (CHIP)	4.7K 63M J RECT.	チ	ッ	ブ 抵 抗			01
* R506	RA157430	METAL FILM RESISTOR (CHIP)	43.0K 63M D RECT.	チ	ッ	ブ 金 被 抵 抗			01
R507	RF458220	CARBON RESISTOR (CHIP)	220.0K D RECT.	チ	ッ	ブ 抵 抗			01
R508	RD456470	CARBON RESISTOR (CHIP)	4.7K 63M J RECT.	チ	ッ	ブ 抵 抗			01
R509	RD455100	CARBON RESISTOR (CHIP)	100.0 63M J RECT.	チ	ッ	ブ 抵 抗			01
R510	RD456470	CARBON RESISTOR (CHIP)	4.7K 63M J RECT.	チ	ッ	ブ 抵 抗			01
R533	RD454390	CARBON RESISTOR (CHIP)	39.0 63M J RECT.	チ	ッ	ブ 抵 抗			01
R534	RD45000R	CARBON RESISTOR (CHIP)	0.00 63M J RECT.	チ	ッ	ブ 抵 抗			01
R535	RD45000R	CARBON RESISTOR (CHIP)	0.00 63M J RECT.	チ	ッ	ブ 抵 抗			01
R537	RD454390	CARBON RESISTOR (CHIP)	39.0 63M J RECT.	チ	ッ	ブ 抵 抗			01
R538	RD454390	CARBON RESISTOR (CHIP)	39.0 63M J RECT.	チ	ッ	ブ 抵 抗			01
R539	RD456220	CARBON RESISTOR (CHIP)	2.2K 63M J RECT.	チ	ッ	ブ 抵 抗			01
R540	RD456220	CARBON RESISTOR (CHIP)	2.2K 63M J RECT.	チ	ッ	ブ 抵 抗			01
R541	RD45747R	CARBON RESISTOR (CHIP)	47.0K 63M J RECT.	チ	ッ	ブ 抵 抗			01
R542	RD456470	CARBON RESISTOR (CHIP)	4.7K 63M J RECT.	チ	ッ	ブ 抵 抗			01
R543	RD454390	CARBON RESISTOR (CHIP)	39.0 63M J RECT.	チ	ッ	ブ 抵 抗			01
R544	RD45747R	CARBON RESISTOR (CHIP)	47.0K 63M J RECT.	チ	ッ	ブ 抵 抗			01
R548	RD456470	CARBON RESISTOR (CHIP)	4.7K 63M J RECT.	チ	ッ	ブ 抵 抗			01
R550	RD455100	CARBON RESISTOR (CHIP)	100.0 63M J RECT.	チ	ッ	ブ 抵 抗			01
R551	RD456470	CARBON RESISTOR (CHIP)	4.7K 63M J RECT.	チ	ッ	ブ 抵 抗			01
* R552	RA157360	METAL FILM RESISTOR (CHIP)	36.0K 63M D RECT.	チ	ッ	ブ 金 被 抵 抗			01
RA101	WH211000	RESISTOR ARRAY	4.7K X 4	抵	抗	ア レ イ			01
RA201	WH206000	RESISTOR ARRAY	39 X 4	抵	抗	ア レ イ			01
-211	WH206000	RESISTOR ARRAY	39 X 4	抵	抗	ア レ イ			01
RA213	WH213400	RESISTOR ARRAY	47K X 4	抵	抗	ア レ イ			01

*: New Parts

RANK: Japan only

CPU and DA

REF NO.	PART NO.	DESCRIPTION		部 品 名	REMARKS	QTY	RANK
-216	WH213400	RESISTOR ARRAY	47K X 4	抵 抗 ア レ イ			01
RA230	WH211000	RESISTOR ARRAY	4.7K X 4	抵 抗 ア レ イ			01
RA231	WH211000	RESISTOR ARRAY	4.7K X 4	抵 抗 ア レ イ			01
RA232	WH206000	RESISTOR ARRAY	39 X 4	抵 抗 ア レ イ			01
RA233	WH206000	RESISTOR ARRAY	39 X 4	抵 抗 ア レ イ			01
RA301	WH206000	RESISTOR ARRAY	39 X 4	抵 抗 ア レ イ			01
-305	WH206000	RESISTOR ARRAY	39 X 4	抵 抗 ア レ イ			01
RA406	WH206000	RESISTOR ARRAY	39 X 4	抵 抗 ア レ イ			01
-412	WH206000	RESISTOR ARRAY	39 X 4	抵 抗 ア レ イ			01
RA420	WH211000	RESISTOR ARRAY	4.7K X 4	抵 抗 ア レ イ			01
RA501	WH211000	RESISTOR ARRAY	4.7K X 4	抵 抗 ア レ イ			01
RA502	WH211000	RESISTOR ARRAY	4.7K X 4	抵 抗 ア レ イ			01
RA510	WH206000	RESISTOR ARRAY	39 X 4	抵 抗 ア レ イ			01
RA601	WH206000	RESISTOR ARRAY	39 X 4	抵 抗 ア レ イ			01
RA602	WH206000	RESISTOR ARRAY	39 X 4	抵 抗 ア レ イ			01
RA603	WH213400	RESISTOR ARRAY	47K X 4	抵 抗 ア レ イ			01
RA604	WH213400	RESISTOR ARRAY	47K X 4	抵 抗 ア レ イ			01
RA605	WH206000	RESISTOR ARRAY	39 X 4	抵 抗 ア レ イ			01
RA606	WH206000	RESISTOR ARRAY	39 X 4	抵 抗 ア レ イ			01
RA607	WH213400	RESISTOR ARRAY	47K X 4	抵 抗 ア レ イ			01
RA608	WH213400	RESISTOR ARRAY	47K X 4	抵 抗 ア レ イ			01
RA609	WH206000	RESISTOR ARRAY	39 X 4	抵 抗 ア レ イ			01
-616	WH206000	RESISTOR ARRAY	39 X 4	抵 抗 ア レ イ			01
RA620	WH213400	RESISTOR ARRAY	47K X 4	抵 抗 ア レ イ			01
-623	WH213400	RESISTOR ARRAY	47K X 4	抵 抗 ア レ イ			01
T401	X6230A00	FILTER MODULE	H1102NLT	フ ィ ル タ ー モ ジ ュ ー ル			05
* X101	WZ036300	RESONATOR QUARTZ	27.2MHz SG-310SCF	水 晶 発 振 器			04
X401	WE917800	RESONATOR QUARTZ	48.000MHz DSO321SV	水 晶 発 振 器			04
X404	WE917700	RESONATOR QUARTZ	25.000MHz DSO321SV	水 晶 発 振 器			04
X501	VS585000	QUARTZ CRYSTAL UNIT	32.768KHz DMX-26	水 晶 振 動 子			03
* C001	WY643500	CIRCUIT BOARD	DA	D A シ ー ト	(YD588C0)		01
C002	UR857470	ELECTROLYTIC CAPACITOR	47.00 35.0V RX TP	ケ ミ コ ン			01
C003	US14510R	CERAMIC CAPACITOR (CHIP)	0.1000 25V Z RECT.	チ ッ プ セ ラ (F)			01
C007	UU268100	ELECTROLYTIC CAPACITOR	100.00 50.0V RX TP	ケ ミ コ ン F W			01
-006	UU268100	ELECTROLYTIC CAPACITOR	100.00 50.0V RX TP	ケ ミ コ ン F W			01
C007	US14510R	CERAMIC CAPACITOR (CHIP)	0.1000 25V Z RECT.	チ ッ プ セ ラ (F)			01
-010	US14510R	CERAMIC CAPACITOR (CHIP)	0.1000 25V Z RECT.	チ ッ プ セ ラ (F)			01
C011	UF05710R	ELECTROLYTIC CAP. (CHIP)	10 35V	チ ッ プ ケ ミ コ ン			01
C012	US14510R	CERAMIC CAPACITOR (CHIP)	0.1000 25V Z RECT.	チ ッ プ セ ラ (F)			01
C013	WN422300	ELECTROLYTIC CAP. (CHIP)	47.00 35.0V TP	チ ッ プ ケ ミ コ ン U D			01
C014	US14510R	CERAMIC CAPACITOR (CHIP)	0.1000 25V Z RECT.	チ ッ プ セ ラ (F)			01
C015	UF05710R	ELECTROLYTIC CAP. (CHIP)	10 35V	チ ッ プ ケ ミ コ ン			01
C016	UF05710R	ELECTROLYTIC CAP. (CHIP)	10 35V	チ ッ プ ケ ミ コ ン			01
C017	WN422300	ELECTROLYTIC CAP. (CHIP)	47.00 35.0V TP	チ ッ プ ケ ミ コ ン U D			01
C018	WN422300	ELECTROLYTIC CAP. (CHIP)	47.00 35.0V TP	チ ッ プ ケ ミ コ ン U D			01
C101	UU268100	ELECTROLYTIC CAPACITOR	100.00 50.0V RX TP	ケ ミ コ ン F W			01
C102	UU268100	ELECTROLYTIC CAPACITOR	100.00 50.0V RX TP	ケ ミ コ ン F W			01
C103	US061330	CERAMIC CAPACITOR (CHIP)	33P 50V J RECT.	チ ッ プ セ ラ (C H)			01
C104	US061330	CERAMIC CAPACITOR (CHIP)	33P 50V J RECT.	チ ッ プ セ ラ (C H)			01
C105	WB57410R	POLYESTER FILM CAP. (CHIP)	.00018 50V J RECT.	チ ッ プ マ イ ラ ー			01
C106	WB575000	POLYESTER FILM CAP. (CHIP)	0.0010 50V J RECT.	チ ッ プ マ イ ラ ー			01
C107	US064100	CERAMIC CAPACITOR (CHIP)	0.0100 50V K RECT.	チ ッ プ セ ラ (B)			01
-110	US064100	CERAMIC CAPACITOR (CHIP)	0.0100 50V K RECT.	チ ッ プ セ ラ (B)			01
C111	US061330	CERAMIC CAPACITOR (CHIP)	33P 50V J RECT.	チ ッ プ セ ラ (C H)			01
C112	US061330	CERAMIC CAPACITOR (CHIP)	33P 50V J RECT.	チ ッ プ セ ラ (C H)			01
C113	UU24822R	ELECTROLYTIC CAPACITOR	220.00 25.0V RX TP	ケ ミ コ ン F W			01
C114	UU24822R	ELECTROLYTIC CAPACITOR	220.00 25.0V RX TP	ケ ミ コ ン F W			01
C201	UU268100	ELECTROLYTIC CAPACITOR	100.00 50.0V RX TP	ケ ミ コ ン F W			01
C202	UU268100	ELECTROLYTIC CAPACITOR	100.00 50.0V RX TP	ケ ミ コ ン F W			01
C203	US061330	CERAMIC CAPACITOR (CHIP)	33P 50V J RECT.	チ ッ プ セ ラ (C H)			01
C204	US061330	CERAMIC CAPACITOR (CHIP)	33P 50V J RECT.	チ ッ プ セ ラ (C H)			01
C205	WB57410R	POLYESTER FILM CAP. (CHIP)	.00018 50V J RECT.	チ ッ プ マ イ ラ ー			01
C206	WB575000	POLYESTER FILM CAP. (CHIP)	0.0010 50V J RECT.	チ ッ プ マ イ ラ ー			01
C207	US064100	CERAMIC CAPACITOR (CHIP)	0.0100 50V K RECT.	チ ッ プ セ ラ (B)			01
-210	US064100	CERAMIC CAPACITOR (CHIP)	0.0100 50V K RECT.	チ ッ プ セ ラ (B)			01
C211	US061330	CERAMIC CAPACITOR (CHIP)	33P 50V J RECT.	チ ッ プ セ ラ (C H)			01
C212	US061330	CERAMIC CAPACITOR (CHIP)	33P 50V J RECT.	チ ッ プ セ ラ (C H)			01
C213	UU24822R	ELECTROLYTIC CAPACITOR	220.00 25.0V RX TP	ケ ミ コ ン F W			01
C214	UU24822R	ELECTROLYTIC CAPACITOR	220.00 25.0V RX TP	ケ ミ コ ン F W			01

*: New Parts

RANK: Japan only

DA

REF NO.	PART NO.	DESCRIPTION	部 品 名	REMARKS	QTY	RANK
C813	UU24822R	ELECTROLYTIC CAPACITOR	220.00 25.0V RX TP	ケミコン F W		01
C814	UU24822R	ELECTROLYTIC CAPACITOR	220.00 25.0V RX TP	ケミコン F W		01
C900	US14510R	CERAMIC CAPACITOR (CHIP)	0.1000 25V Z RECT.	チップセラ(F)		01
-902	US14510R	CERAMIC CAPACITOR (CHIP)	0.1000 25V Z RECT.	チップセラ(F)		01
C903	UU267100	ELECTROLYTIC CAPACITOR	10.00 50.0V RX TP	ケミコン F W		01
C904	US14510R	CERAMIC CAPACITOR (CHIP)	0.1000 25V Z RECT.	チップセラ(F)		01
-906	US14510R	CERAMIC CAPACITOR (CHIP)	0.1000 25V Z RECT.	チップセラ(F)		01
C907	UU267100	ELECTROLYTIC CAPACITOR	10.00 50.0V RX TP	ケミコン F W		01
C908	US14510R	CERAMIC CAPACITOR (CHIP)	0.1000 25V Z RECT.	チップセラ(F)		01
C909	US14510R	CERAMIC CAPACITOR (CHIP)	0.1000 25V Z RECT.	チップセラ(F)		01
C910	UU267100	ELECTROLYTIC CAPACITOR	10.00 50.0V RX TP	ケミコン F W		01
-912	UU267100	ELECTROLYTIC CAPACITOR	10.00 50.0V RX TP	ケミコン F W		01
C913	US14510R	CERAMIC CAPACITOR (CHIP)	0.1000 25V Z RECT.	チップセラ(F)		01
-915	US14510R	CERAMIC CAPACITOR (CHIP)	0.1000 25V Z RECT.	チップセラ(F)		01
C916	UU267100	ELECTROLYTIC CAPACITOR	10.00 50.0V RX TP	ケミコン F W		01
C917	US14510R	CERAMIC CAPACITOR (CHIP)	0.1000 25V Z RECT.	チップセラ(F)		01
C918	US14510R	CERAMIC CAPACITOR (CHIP)	0.1000 25V Z RECT.	チップセラ(F)		01
C919	UU267100	ELECTROLYTIC CAPACITOR	10.00 50.0V RX TP	ケミコン F W		01
-921	UU267100	ELECTROLYTIC CAPACITOR	10.00 50.0V RX TP	ケミコン F W		01
C922	US14510R	CERAMIC CAPACITOR (CHIP)	0.1000 25V Z RECT.	チップセラ(F)		01
-924	US14510R	CERAMIC CAPACITOR (CHIP)	0.1000 25V Z RECT.	チップセラ(F)		01
C925	UU267100	ELECTROLYTIC CAPACITOR	10.00 50.0V RX TP	ケミコン F W		01
C926	US14510R	CERAMIC CAPACITOR (CHIP)	0.1000 25V Z RECT.	チップセラ(F)		01
C927	US14510R	CERAMIC CAPACITOR (CHIP)	0.1000 25V Z RECT.	チップセラ(F)		01
C928	UU267100	ELECTROLYTIC CAPACITOR	10.00 50.0V RX TP	ケミコン F W		01
-930	UU267100	ELECTROLYTIC CAPACITOR	10.00 50.0V RX TP	ケミコン F W		01
C931	US14510R	CERAMIC CAPACITOR (CHIP)	0.1000 25V Z RECT.	チップセラ(F)		01
-933	US14510R	CERAMIC CAPACITOR (CHIP)	0.1000 25V Z RECT.	チップセラ(F)		01
C934	UU267100	ELECTROLYTIC CAPACITOR	10.00 50.0V RX TP	ケミコン F W		01
C935	US14510R	CERAMIC CAPACITOR (CHIP)	0.1000 25V Z RECT.	チップセラ(F)		01
C936	US14510R	CERAMIC CAPACITOR (CHIP)	0.1000 25V Z RECT.	チップセラ(F)		01
C937	UU267100	ELECTROLYTIC CAPACITOR	10.00 50.0V RX TP	ケミコン F W		01
C938	UU267100	ELECTROLYTIC CAPACITOR	10.00 50.0V RX TP	ケミコン F W		01
C939	US135220	CERAMIC CAPACITOR (CHIP)	0.2200 16V Z RECT.	チップセラ(F)		01
-942	US135220	CERAMIC CAPACITOR (CHIP)	0.2200 16V Z RECT.	チップセラ(F)		01
CN001	VH90420R	CONNECTOR	PH 14P SE	ベースポスト		01
CN002	VH90420R	CONNECTOR	PH 14P SE	ベースポスト		01
CN901	VK027000	WIRE TRAP	52151 11P SE	ワイヤートラップ		02
CN902	VK027000	WIRE TRAP	52151 11P SE	ワイヤートラップ		02
CN903	VK026700	WIRE TRAP	52151 8P SE	ワイヤートラップ		01
D001	VT53250R	DIODE (CHIP)	D1F60 1A 600V TP	チップダイオード		01
D003	VT53250R	DIODE (CHIP)	D1F60 1A 600V TP	チップダイオード		01
D004	VT53250R	DIODE (CHIP)	D1F60 1A 600V TP	チップダイオード		01
D005	VS59760R	DIODE (CHIP)	RB160L-40 TE25 TP	チップダイオード		01
-009	VS59760R	DIODE (CHIP)	RB160L-40 TE25 TP	チップダイオード		01
EM005	ZC805200	EMI FILTER (CHIP)	31PT222Z1E9L TP	チップ エミフィル		01
EM101	VQ76140R	EMI FILTER (CHIP)	NFM3DCC101U1H3L	エミフィル チップ		01
EM102	VQ76140R	EMI FILTER (CHIP)	NFM3DCC101U1H3L	エミフィル チップ		01
EM201	VQ76140R	EMI FILTER (CHIP)	NFM3DCC101U1H3L	エミフィル チップ		01
EM202	VQ76140R	EMI FILTER (CHIP)	NFM3DCC101U1H3L	エミフィル チップ		01
EM301	VQ76140R	EMI FILTER (CHIP)	NFM3DCC101U1H3L	エミフィル チップ		01
EM302	VQ76140R	EMI FILTER (CHIP)	NFM3DCC101U1H3L	エミフィル チップ		01
EM401	VQ76140R	EMI FILTER (CHIP)	NFM3DCC101U1H3L	エミフィル チップ		01
EM402	VQ76140R	EMI FILTER (CHIP)	NFM3DCC101U1H3L	エミフィル チップ		01
EM501	VQ76140R	EMI FILTER (CHIP)	NFM3DCC101U1H3L	エミフィル チップ		01
EM502	VQ76140R	EMI FILTER (CHIP)	NFM3DCC101U1H3L	エミフィル チップ		01
EM601	VQ76140R	EMI FILTER (CHIP)	NFM3DCC101U1H3L	エミフィル チップ		01
EM602	VQ76140R	EMI FILTER (CHIP)	NFM3DCC101U1H3L	エミフィル チップ		01
EM701	VQ76140R	EMI FILTER (CHIP)	NFM3DCC101U1H3L	エミフィル チップ		01
EM702	VQ76140R	EMI FILTER (CHIP)	NFM3DCC101U1H3L	エミフィル チップ		01
EM801	VQ76140R	EMI FILTER (CHIP)	NFM3DCC101U1H3L	エミフィル チップ		01
EM802	VQ76140R	EMI FILTER (CHIP)	NFM3DCC101U1H3L	エミフィル チップ		01
IC001	X4365A0R	IC	LM2940CSX-15/NOPB	I C	REGULATOR +15V	03
IC002	X3949A0R	IC	LM2990SX-15/NOPB	I C	REGULATOR -15V	06
* IC003	YE140A00	IC	NJM2386ADL3-05(TE2)	I C	REGULATOR +5V	
IC101	X3505A00	IC	NJM2068M-D(TE2)	I C	OP AMP	02
IC102	XP844A00	IC	NJM4556AL	I C	OP AMP	02
IC201	X3505A00	IC	NJM2068M-D(TE2)	I C	OP AMP	02
IC202	XP844A00	IC	NJM4556AL	I C	OP AMP	02
IC301	X3505A00	IC	NJM2068M-D(TE2)	I C	OP AMP	02

*: New Parts

RANK: Japan only

DA

REF NO.	PART NO.	DESCRIPTION	部	品	名	REMARKS	QTY	RANK						
IC302	XP844A00	IC	NJM4556AL		C	OP AMP		02						
IC401	X3505A00	IC	NJM2068M-D(TE2)		C	OP AMP		02						
IC402	XP844A00	IC	NJM4556AL		C	OP AMP		02						
IC501	X3505A00	IC	NJM2068M-D(TE2)		C	OP AMP		02						
IC502	XP844A00	IC	NJM4556AL		C	OP AMP		02						
IC601	X3505A00	IC	NJM2068M-D(TE2)		C	OP AMP		02						
IC602	XP844A00	IC	NJM4556AL		C	OP AMP		02						
IC701	X3505A00	IC	NJM2068M-D(TE2)		C	OP AMP		02						
IC702	XP844A00	IC	NJM4556AL		C	OP AMP		02						
IC801	X3505A00	IC	NJM2068M-D(TE2)		C	OP AMP		02						
IC802	XP844A00	IC	NJM4556AL		C	OP AMP		02						
IC900	XM182A0R	IC	TC7S04F(TE85R,F)		C	INVERTER		01						
IC901	X3693A01	IC	SN74LV245APWR		C	TRANSCEIVER		05						
IC902	X3693A01	IC	SN74LV245APWR		C	TRANSCEIVER		05						
IC903	X8324A00	IC	AK4396VF-E2		C	DAC		06						
-906	X8324A00	IC	AK4396VF-E2		C	DAC		06						
IC907	XJ598A0R	IC	NJM78L05UA-TE1		C	REGULATOR +5V		02						
-910	XJ598A0R	IC	NJM78L05UA-TE1		C	REGULATOR +5V		02						
JK101	WR264400	CANNON CONNECTOR	XLR JACK NC3MAAH	キ	ャ	ノ	ン	コ	ネ	ク	タ	OMNI OUT1		03
JK201	WR264400	CANNON CONNECTOR	XLR JACK NC3MAAH	キ	ャ	ノ	ン	コ	ネ	ク	タ	OMNI OUT2		03
JK301	WR264400	CANNON CONNECTOR	XLR JACK NC3MAAH	キ	ャ	ノ	ン	コ	ネ	ク	タ	OMNI OUT3		03
JK401	WR264400	CANNON CONNECTOR	XLR JACK NC3MAAH	キ	ャ	ノ	ン	コ	ネ	ク	タ	OMNI OUT4		03
JK501	WR264400	CANNON CONNECTOR	XLR JACK NC3MAAH	キ	ャ	ノ	ン	コ	ネ	ク	タ	OMNI OUT5		03
JK601	WR264400	CANNON CONNECTOR	XLR JACK NC3MAAH	キ	ャ	ノ	ン	コ	ネ	ク	タ	OMNI OUT6		03
JK701	WR264400	CANNON CONNECTOR	XLR JACK NC3MAAH	キ	ャ	ノ	ン	コ	ネ	ク	タ	OMNI OUT7		03
JK801	WR264400	CANNON CONNECTOR	XLR JACK NC3MAAH	キ	ャ	ノ	ン	コ	ネ	ク	タ	OMNI OUT8		03
K101	V753980R	CANNON ANGLE (HORIZONTAL)	M2000	キ	ャ	ノ	ン	金	具	(横	形)		02
K201	V753980R	CANNON ANGLE (HORIZONTAL)	M2000	キ	ャ	ノ	ン	金	具	(横	形)		02
K301	V753980R	CANNON ANGLE (HORIZONTAL)	M2000	キ	ャ	ノ	ン	金	具	(横	形)		02
K401	V753980R	CANNON ANGLE (HORIZONTAL)	M2000	キ	ャ	ノ	ン	金	具	(横	形)		02
K501	V753980R	CANNON ANGLE (HORIZONTAL)	M2000	キ	ャ	ノ	ン	金	具	(横	形)		02
K601	V753980R	CANNON ANGLE (HORIZONTAL)	M2000	キ	ャ	ノ	ン	金	具	(横	形)		02
K701	V753980R	CANNON ANGLE (HORIZONTAL)	M2000	キ	ャ	ノ	ン	金	具	(横	形)		02
K801	V753980R	CANNON ANGLE (HORIZONTAL)	M2000	キ	ャ	ノ	ン	金	具	(横	形)		02
R001	RD356100	CARBON RESISTOR (CHIP)	1.0K 63M J RECT.	チ	ッ	ブ	抵	抗						01
R002	RD357100	CARBON RESISTOR (CHIP)	10.0K 63M J RECT.	チ	ッ	ブ	抵	抗						01
R005	RD156220	CARBON RESISTOR (CHIP)	2.2K 1/4 J TP	チ	ッ	ブ	抵	抗						01
R006	RD156220	CARBON RESISTOR (CHIP)	2.2K 1/4 J TP	チ	ッ	ブ	抵	抗						01
R008	RD358100	CARBON RESISTOR (CHIP)	100.0K 63M J RECT.	チ	ッ	ブ	抵	抗						01
R009	RD357100	CARBON RESISTOR (CHIP)	10.0K 63M J RECT.	チ	ッ	ブ	抵	抗						01
R010	RD15647R	CARBON RESISTOR (CHIP)	4.7K 1/4 J TP	チ	ッ	ブ	抵	抗						01
R011	RD358100	CARBON RESISTOR (CHIP)	100.0K 63M J RECT.	チ	ッ	ブ	抵	抗						01
R101	RF356300	CARBON RESISTOR (CHIP)	3.0K D 1608	チ	ッ	ブ	抵	抗						01
R102	RF356300	CARBON RESISTOR (CHIP)	3.0K D 1608	チ	ッ	ブ	抵	抗						01
R103	RF356560	CARBON RESISTOR (CHIP)	5.6K D 1608	チ	ッ	ブ	抵	抗						01
R104	RF355220	CARBON RESISTOR (CHIP)	220.0 D 1608	チ	ッ	ブ	抵	抗						01
R105	RF356560	CARBON RESISTOR (CHIP)	5.6K D 1608	チ	ッ	ブ	抵	抗						01
R106	RF355220	CARBON RESISTOR (CHIP)	220.0 D 1608	チ	ッ	ブ	抵	抗						01
R107	RF35639R	CARBON RESISTOR (CHIP)	3.9K D 1608	チ	ッ	ブ	抵	抗						01
R108	RF356560	CARBON RESISTOR (CHIP)	5.6K D 1608	チ	ッ	ブ	抵	抗						01
R109	RF35439R	CARBON RESISTOR (CHIP)	39.0 D 1608	チ	ッ	ブ	抵	抗						01
R110	RF35639R	CARBON RESISTOR (CHIP)	3.9K D 1608	チ	ッ	ブ	抵	抗						01
R111	RF357100	CARBON RESISTOR (CHIP)	10.0K D 1608	チ	ッ	ブ	抵	抗						01
R112	RF357100	CARBON RESISTOR (CHIP)	10.0K D 1608	チ	ッ	ブ	抵	抗						01
R113	RF35711R	CARBON RESISTOR (CHIP)	11.0K D 1608	チ	ッ	ブ	抵	抗						01
R114	RF357100	CARBON RESISTOR (CHIP)	10.0K D 1608	チ	ッ	ブ	抵	抗						01
R115	RF357200	CARBON RESISTOR (CHIP)	20.0K D 1608	チ	ッ	ブ	抵	抗						01
R116	RF357200	CARBON RESISTOR (CHIP)	20.0K D 1608	チ	ッ	ブ	抵	抗						01
R117	RF35718R	CARBON RESISTOR (CHIP)	18.0K D 1608	チ	ッ	ブ	抵	抗						01
R118	RF35718R	CARBON RESISTOR (CHIP)	18.0K D 1608	チ	ッ	ブ	抵	抗						01
R119	RD15475R	CARBON RESISTOR (CHIP)	75.0 1/4 J TP	チ	ッ	ブ	抵	抗						01
R120	RD15475R	CARBON RESISTOR (CHIP)	75.0 1/4 J TP	チ	ッ	ブ	抵	抗						01
R121	RF35810R	CARBON RESISTOR (CHIP)	100.0K D 1608	チ	ッ	ブ	抵	抗						01
R122	RF35810R	CARBON RESISTOR (CHIP)	100.0K D 1608	チ	ッ	ブ	抵	抗						01
R123	RD257100	CARBON RESISTOR (CHIP)	10.0K 0.1 J RECT.	チ	ッ	ブ	抵	抗						01
R124	RD257100	CARBON RESISTOR (CHIP)	10.0K 0.1 J RECT.	チ	ッ	ブ	抵	抗						01
R125	RF356300	CARBON RESISTOR (CHIP)	3.0K D 1608	チ	ッ	ブ	抵	抗						01
R126	RF356300	CARBON RESISTOR (CHIP)	3.0K D 1608	チ	ッ	ブ	抵	抗						01
R127	RF354820	CARBON RESISTOR (CHIP)	82.0 D 1608	チ	ッ	ブ	抵	抗						01
R201	RF356300	CARBON RESISTOR (CHIP)	3.0K D 1608	チ	ッ	ブ	抵	抗						01

*: New Parts

RANK: Japan only

DA

REF NO.	PART NO.	DESCRIPTION		部	品	名	REMARKS	QTY	RANK	
R707	RF35639R	CARBON RESISTOR (CHIP)	3.9K D 1608	チ	ッ	ブ	抵		01	
R708	RF356560	CARBON RESISTOR (CHIP)	5.6K D 1608	チ	ッ	ブ	抵		01	
R709	RF35439R	CARBON RESISTOR (CHIP)	39.0 D 1608	チ	ッ	ブ	抵		01	
R710	RF35639R	CARBON RESISTOR (CHIP)	3.9K D 1608	チ	ッ	ブ	抵		01	
R711	RF357100	CARBON RESISTOR (CHIP)	10.0K D 1608	チ	ッ	ブ	抵		01	
R712	RF357100	CARBON RESISTOR (CHIP)	10.0K D 1608	チ	ッ	ブ	抵		01	
R713	RF35711R	CARBON RESISTOR (CHIP)	11.0K D 1608	チ	ッ	ブ	抵		01	
R714	RF357100	CARBON RESISTOR (CHIP)	10.0K D 1608	チ	ッ	ブ	抵		01	
R715	RF357200	CARBON RESISTOR (CHIP)	20.0K D 1608	チ	ッ	ブ	抵		01	
R716	RF357200	CARBON RESISTOR (CHIP)	20.0K D 1608	チ	ッ	ブ	抵		01	
R717	RF35718R	CARBON RESISTOR (CHIP)	18.0K D 1608	チ	ッ	ブ	抵		01	
R718	RF35718R	CARBON RESISTOR (CHIP)	18.0K D 1608	チ	ッ	ブ	抵		01	
R719	RD15475R	CARBON RESISTOR (CHIP)	75.0 1/4 J TP	チ	ッ	ブ	抵		01	
R720	RD15475R	CARBON RESISTOR (CHIP)	75.0 1/4 J TP	チ	ッ	ブ	抵		01	
R721	RF35810R	CARBON RESISTOR (CHIP)	100.0K D 1608	チ	ッ	ブ	抵		01	
R722	RF35810R	CARBON RESISTOR (CHIP)	100.0K D 1608	チ	ッ	ブ	抵		01	
R723	RD257100	CARBON RESISTOR (CHIP)	10.0K 0.1 J RECT.	チ	ッ	ブ	抵		01	
R724	RD257100	CARBON RESISTOR (CHIP)	10.0K 0.1 J RECT.	チ	ッ	ブ	抵		01	
R725	RF356300	CARBON RESISTOR (CHIP)	3.0K D 1608	チ	ッ	ブ	抵		01	
R726	RF356300	CARBON RESISTOR (CHIP)	3.0K D 1608	チ	ッ	ブ	抵		01	
R727	RF354820	CARBON RESISTOR (CHIP)	82.0 D 1608	チ	ッ	ブ	抵		01	
R801	RF356300	CARBON RESISTOR (CHIP)	3.0K D 1608	チ	ッ	ブ	抵		01	
R802	RF356300	CARBON RESISTOR (CHIP)	3.0K D 1608	チ	ッ	ブ	抵		01	
R803	RF356560	CARBON RESISTOR (CHIP)	5.6K D 1608	チ	ッ	ブ	抵		01	
R804	RF355220	CARBON RESISTOR (CHIP)	220.0 D 1608	チ	ッ	ブ	抵		01	
R805	RF356560	CARBON RESISTOR (CHIP)	5.6K D 1608	チ	ッ	ブ	抵		01	
R806	RF355220	CARBON RESISTOR (CHIP)	220.0 D 1608	チ	ッ	ブ	抵		01	
R807	RF35639R	CARBON RESISTOR (CHIP)	3.9K D 1608	チ	ッ	ブ	抵		01	
R808	RF356560	CARBON RESISTOR (CHIP)	5.6K D 1608	チ	ッ	ブ	抵		01	
R809	RF35439R	CARBON RESISTOR (CHIP)	39.0 D 1608	チ	ッ	ブ	抵		01	
R810	RF35639R	CARBON RESISTOR (CHIP)	3.9K D 1608	チ	ッ	ブ	抵		01	
R811	RF357100	CARBON RESISTOR (CHIP)	10.0K D 1608	チ	ッ	ブ	抵		01	
R812	RF357100	CARBON RESISTOR (CHIP)	10.0K D 1608	チ	ッ	ブ	抵		01	
R813	RF35711R	CARBON RESISTOR (CHIP)	11.0K D 1608	チ	ッ	ブ	抵		01	
R814	RF357100	CARBON RESISTOR (CHIP)	10.0K D 1608	チ	ッ	ブ	抵		01	
R815	RF357200	CARBON RESISTOR (CHIP)	20.0K D 1608	チ	ッ	ブ	抵		01	
R816	RF357200	CARBON RESISTOR (CHIP)	20.0K D 1608	チ	ッ	ブ	抵		01	
R817	RF35718R	CARBON RESISTOR (CHIP)	18.0K D 1608	チ	ッ	ブ	抵		01	
R818	RF35718R	CARBON RESISTOR (CHIP)	18.0K D 1608	チ	ッ	ブ	抵		01	
R819	RD15475R	CARBON RESISTOR (CHIP)	75.0 1/4 J TP	チ	ッ	ブ	抵		01	
R820	RD15475R	CARBON RESISTOR (CHIP)	75.0 1/4 J TP	チ	ッ	ブ	抵		01	
R821	RF35810R	CARBON RESISTOR (CHIP)	100.0K D 1608	チ	ッ	ブ	抵		01	
R822	RF35810R	CARBON RESISTOR (CHIP)	100.0K D 1608	チ	ッ	ブ	抵		01	
R823	RD257100	CARBON RESISTOR (CHIP)	10.0K 0.1 J RECT.	チ	ッ	ブ	抵		01	
R824	RD257100	CARBON RESISTOR (CHIP)	10.0K 0.1 J RECT.	チ	ッ	ブ	抵		01	
R825	RF356300	CARBON RESISTOR (CHIP)	3.0K D 1608	チ	ッ	ブ	抵		01	
R826	RF356300	CARBON RESISTOR (CHIP)	3.0K D 1608	チ	ッ	ブ	抵		01	
R827	RF354820	CARBON RESISTOR (CHIP)	82.0 D 1608	チ	ッ	ブ	抵		01	
R901	RD35439R	CARBON RESISTOR (CHIP)	39.0 63M J RECT.	チ	ッ	ブ	抵		01	
-910	RD35439R	CARBON RESISTOR (CHIP)	39.0 63M J RECT.	チ	ッ	ブ	抵		01	
R911	RD358100	CARBON RESISTOR (CHIP)	100.0K 63M J RECT.	チ	ッ	ブ	抵		01	
R913	RD355100	CARBON RESISTOR (CHIP)	100.0 63M J RECT.	チ	ッ	ブ	抵		01	
-918	RD355100	CARBON RESISTOR (CHIP)	100.0 63M J RECT.	チ	ッ	ブ	抵		01	
R919	RD358100	CARBON RESISTOR (CHIP)	100.0K 63M J RECT.	チ	ッ	ブ	抵		01	
R923	RD250000	CARBON RESISTOR (CHIP)	0.0 0.0 J RECT.	チ	ッ	ブ	抵		01	
SW101	VN31630R	SLIDE SWITCH	SSSS2-22-01	ス	ラ	イ	ド	S W	+18dB/+24dB	02
SW201	VN31630R	SLIDE SWITCH	SSSS2-22-01	ス	ラ	イ	ド	S W	+18dB/+24dB	02
SW301	VN31630R	SLIDE SWITCH	SSSS2-22-01	ス	ラ	イ	ド	S W	+18dB/+24dB	02
SW401	VN31630R	SLIDE SWITCH	SSSS2-22-01	ス	ラ	イ	ド	S W	+18dB/+24dB	02
SW501	VN31630R	SLIDE SWITCH	SSSS2-22-01	ス	ラ	イ	ド	S W	+18dB/+24dB	02
SW601	VN31630R	SLIDE SWITCH	SSSS2-22-01	ス	ラ	イ	ド	S W	+18dB/+24dB	02
SW701	VN31630R	SLIDE SWITCH	SSSS2-22-01	ス	ラ	イ	ド	S W	+18dB/+24dB	02
SW801	VN31630R	SLIDE SWITCH	SSSS2-22-01	ス	ラ	イ	ド	S W	+18dB/+24dB	02
TR001	VJ92710R	TRANSISTOR	2SC2712-Y(TE85R,F)	ト	ラ	ン	ジ	ス タ	2 S C	01
TR001	WC529400	TRANSISTOR	KTC3875S-Y,GR-RTK	ト	ラ	ン	ジ	ス タ		01
TR003	WC529500	TRANSISTOR	KTA1504S-Y,GR-RTK	ト	ラ	ン	ジ	ス タ		01
TR003	WK752300	TRANSISTOR	ISA1235AC1-T112-1E	ト	ラ	ン	ジ	ス タ		01
TR003	WW667700	TRANSISTOR	2SA812A-T1B-AT M5	ト	ラ	ン	ジ	ス タ	2 S A	01
* TR003	ZC051200	TRANSISTOR	2SA812-T1B-AT M5	ト	ラ	ン	ジ	ス タ	2 S A	01
TR004	VG013300	TRANSISTOR	2SB1132 82-390 TP	ト	ラ	ン	ジ	ス タ	2 S B	01

*: New Parts

RANK: Japan only

DA and DCMS

REF NO.	PART NO.	DESCRIPTION		部 品 名	REMARKS	QTY	RANK
TR101	WU100700	TRANSISTOR	2SD INC2002AM1-T111-1	トランジスタ 2 S D			
TR102	WU100700	TRANSISTOR	2SD INC2002AM1-T111-1	トランジスタ 2 S D			
TR201	WU100700	TRANSISTOR	2SD INC2002AM1-T111-1	トランジスタ 2 S D			
TR202	WU100700	TRANSISTOR	2SD INC2002AM1-T111-1	トランジスタ 2 S D			
TR301	WU100700	TRANSISTOR	2SD INC2002AM1-T111-1	トランジスタ 2 S D			
TR302	WU100700	TRANSISTOR	2SD INC2002AM1-T111-1	トランジスタ 2 S D			
TR401	WU100700	TRANSISTOR	2SD INC2002AM1-T111-1	トランジスタ 2 S D			
TR402	WU100700	TRANSISTOR	2SD INC2002AM1-T111-1	トランジスタ 2 S D			
TR501	WU100700	TRANSISTOR	2SD INC2002AM1-T111-1	トランジスタ 2 S D			
TR502	WU100700	TRANSISTOR	2SD INC2002AM1-T111-1	トランジスタ 2 S D			
TR601	WU100700	TRANSISTOR	2SD INC2002AM1-T111-1	トランジスタ 2 S D			
TR602	WU100700	TRANSISTOR	2SD INC2002AM1-T111-1	トランジスタ 2 S D			
TR701	WU100700	TRANSISTOR	2SD INC2002AM1-T111-1	トランジスタ 2 S D			
TR702	WU100700	TRANSISTOR	2SD INC2002AM1-T111-1	トランジスタ 2 S D			
TR801	WU100700	TRANSISTOR	2SD INC2002AM1-T111-1	トランジスタ 2 S D			
TR802	WU100700	TRANSISTOR	2SD INC2002AM1-T111-1	トランジスタ 2 S D			
*	WY647400	CIRCUIT BOARD	DCMS	D C M S シ ー ト	(YD591C0)		
C001	WM489900	CERAMIC CAPACITOR (CHIP)	10.0000 35V M KAKU	チップセラコン			
C002	WM489900	CERAMIC CAPACITOR (CHIP)	10.0000 35V M KAKU	チップセラコン			
C011	WD758300	CERAMIC CAPACITOR (CHIP)	10U 10V K RECT.	チップセラ			01
C012	US046100	CERAMIC CAPACITOR (CHIP)	1.00 25V K RECT.	チップセラ(B)			01
C013	US046100	CERAMIC CAPACITOR (CHIP)	1.00 25V K RECT.	チップセラ(B)			01
C014	WB57420R	POLYESTER FILM CAP. (CHIP)	.00022 50V J RECT.	チップマイラー			01
C015	US046100	CERAMIC CAPACITOR (CHIP)	1.00 25V K RECT.	チップセラ(B)			01
C051	US063100	CERAMIC CAPACITOR (CHIP)	1000P 50V K RECT.	チップセラ(B)			01
C052	US063100	CERAMIC CAPACITOR (CHIP)	1000P 50V K RECT.	チップセラ(B)			01
C053	US046100	CERAMIC CAPACITOR (CHIP)	1.00 25V K RECT.	チップセラ(B)			01
C054	V585100R	CERAMIC CAPACITOR (CHIP)	470P 50V J KAKUTE	チップセラ C H			01
C055	WK175700	MONOLITHIC CERAMIC CAP(CHIP)	0.33 16V K KAKU TE	チップ積層セラコン			01
C056	US065100	CERAMIC CAPACITOR (CHIP)	0.100 50V Z RECT.	チップセラ F			01
C057	US044220	CERAMIC CAPACITOR (CHIP)	0.0220 25V K RECT.	チップセラ(B)			01
C058	WM489900	CERAMIC CAPACITOR (CHIP)	10.0000 35V M KAKU	チップセラコン			
-061	WM489900	CERAMIC CAPACITOR (CHIP)	10.0000 35V M KAKU	チップセラコン			
C062	WD67780R	CAPACITOR	82 16V	アルミ電解コン			
C081	US063100	CERAMIC CAPACITOR (CHIP)	1000P 50V K RECT.	チップセラ(B)			01
C082	US063100	CERAMIC CAPACITOR (CHIP)	1000P 50V K RECT.	チップセラ(B)			01
C083	US046100	CERAMIC CAPACITOR (CHIP)	1.00 25V K RECT.	チップセラ(B)			01
C084	V585100R	CERAMIC CAPACITOR (CHIP)	470P 50V J KAKUTE	チップセラ C H			01
C085	WG251600	CERAMIC CAPACITOR (CHIP)	4.7 6.3V K RECT.	チップセラ			01
C086	US065100	CERAMIC CAPACITOR (CHIP)	0.100 50V Z RECT.	チップセラ F			01
C087	US044220	CERAMIC CAPACITOR (CHIP)	0.0220 25V K RECT.	チップセラ(B)			01
C088	WM489900	CERAMIC CAPACITOR (CHIP)	10.0000 35V M KAKU	チップセラコン			
-091	WM489900	CERAMIC CAPACITOR (CHIP)	10.0000 35V M KAKU	チップセラコン			
C092	WD67780R	CAPACITOR	82 16V	アルミ電解コン			
C093	WD67780R	CAPACITOR	82 16V	アルミ電解コン			
C094	WM489900	CERAMIC CAPACITOR (CHIP)	10.0000 35V M KAKU	チップセラコン			
-097	WM489900	CERAMIC CAPACITOR (CHIP)	10.0000 35V M KAKU	チップセラコン			
C098	US065100	CERAMIC CAPACITOR (CHIP)	0.100 50V Z RECT.	チップセラ F			01
C101	US063100	CERAMIC CAPACITOR (CHIP)	1000P 50V K RECT.	チップセラ(B)			01
C102	US063100	CERAMIC CAPACITOR (CHIP)	1000P 50V K RECT.	チップセラ(B)			01
C103	US046100	CERAMIC CAPACITOR (CHIP)	1.00 25V K RECT.	チップセラ(B)			01
C104	V585100R	CERAMIC CAPACITOR (CHIP)	470P 50V J KAKUTE	チップセラ C H			01
C105	WK175700	MONOLITHIC CERAMIC CAP(CHIP)	0.33 16V K KAKU TE	チップ積層セラコン			01
C106	US065100	CERAMIC CAPACITOR (CHIP)	0.100 50V Z RECT.	チップセラ F			01
C107	US034470	CERAMIC CAPACITOR (CHIP)	0.0470 16V K RECT.	チップセラ(B)			01
C108	WM489900	CERAMIC CAPACITOR (CHIP)	10.0000 35V M KAKU	チップセラコン			
-110	WM489900	CERAMIC CAPACITOR (CHIP)	10.0000 35V M KAKU	チップセラコン			
C111	WD67780R	CAPACITOR	82 16V	アルミ電解コン			
C131	US063100	CERAMIC CAPACITOR (CHIP)	1000P 50V K RECT.	チップセラ(B)			01
C132	US063100	CERAMIC CAPACITOR (CHIP)	1000P 50V K RECT.	チップセラ(B)			01
C133	US046100	CERAMIC CAPACITOR (CHIP)	1.00 25V K RECT.	チップセラ(B)			01
C134	V585100R	CERAMIC CAPACITOR (CHIP)	470P 50V J KAKUTE	チップセラ C H			01
C135	WG251600	CERAMIC CAPACITOR (CHIP)	4.7 6.3V K RECT.	チップセラ			01
C136	US065100	CERAMIC CAPACITOR (CHIP)	0.100 50V Z RECT.	チップセラ F			01
C137	US034470	CERAMIC CAPACITOR (CHIP)	0.0470 16V K RECT.	チップセラ(B)			01
C138	WM489900	CERAMIC CAPACITOR (CHIP)	10.0000 35V M KAKU	チップセラコン			
-140	WM489900	CERAMIC CAPACITOR (CHIP)	10.0000 35V M KAKU	チップセラコン			
C141	WD67780R	CAPACITOR	82 16V	アルミ電解コン			
C151	US064100	CERAMIC CAPACITOR (CHIP)	0.0100 50V K RECT.	チップセラ(B)			01

*: New Parts

RANK: Japan only

DCMS

REF NO.	PART NO.	DESCRIPTION	部 品 名	REMARKS	QTY	RANK
C152	WJ590700	CERAMIC CAPACITOR (CHIP)	0.47 16V K RECT.	チ ッ プ セ ラ		01
C153	WM489900	CERAMIC CAPACITOR (CHIP)	10.0000 35V M KAKU	チ ッ プ セ ラ コ ン		
C154	WM489900	CERAMIC CAPACITOR (CHIP)	10.0000 35V M KAKU	チ ッ プ セ ラ コ ン		
C155	US065100	CERAMIC CAPACITOR (CHIP)	0.100 50V Z RECT.	チ ッ プ セ ラ F		01
C156	WM489900	CERAMIC CAPACITOR (CHIP)	10.0000 35V M KAKU	チ ッ プ セ ラ コ ン		
-159	WM489900	CERAMIC CAPACITOR (CHIP)	10.0000 35V M KAKU	チ ッ プ セ ラ コ ン		
C160	US061220	CERAMIC CAPACITOR (CHIP)	22P 50V J RECT.	チ ッ プ セ ラ C H		01
C201	US063100	CERAMIC CAPACITOR (CHIP)	1000P 50V K RECT.	チ ッ プ セ ラ (B)		01
C202	US063100	CERAMIC CAPACITOR (CHIP)	1000P 50V K RECT.	チ ッ プ セ ラ (B)		01
C203	US046100	CERAMIC CAPACITOR (CHIP)	1.00 25V K RECT.	チ ッ プ セ ラ (B)		01
C204	V585100R	CERAMIC CAPACITOR (CHIP)	470P 50V J KAKUTE	チ ッ プ セ ラ C H		01
C205	WK175700	MONOLITHIC CERAMIC CAP(CHIP)	0.33 16V K KAKU TE	チ ッ プ 積 層 セ ラ コ ン		01
C206	US065100	CERAMIC CAPACITOR (CHIP)	0.100 50V Z RECT.	チ ッ プ セ ラ F		01
C207	US064100	CERAMIC CAPACITOR (CHIP)	0.0100 50V K RECT.	チ ッ プ セ ラ (B)		01
C208	WM489900	CERAMIC CAPACITOR (CHIP)	10.0000 35V M KAKU	チ ッ プ セ ラ コ ン		
-211	WM489900	CERAMIC CAPACITOR (CHIP)	10.0000 35V M KAKU	チ ッ プ セ ラ コ ン		
C212	WD67780R	CAPACITOR	82 16V	ア ル ミ 電 解 コ ン		
C231	US063100	CERAMIC CAPACITOR (CHIP)	1000P 50V K RECT.	チ ッ プ セ ラ (B)		01
C232	US063100	CERAMIC CAPACITOR (CHIP)	1000P 50V K RECT.	チ ッ プ セ ラ (B)		01
C233	US046100	CERAMIC CAPACITOR (CHIP)	1.00 25V K RECT.	チ ッ プ セ ラ (B)		01
C234	V585100R	CERAMIC CAPACITOR (CHIP)	470P 50V J KAKUTE	チ ッ プ セ ラ C H		01
C235	US034470	CERAMIC CAPACITOR (CHIP)	0.0470 16V K RECT.	チ ッ プ セ ラ (B)		01
C236	US065100	CERAMIC CAPACITOR (CHIP)	0.100 50V Z RECT.	チ ッ プ セ ラ F		01
C237	US065100	CERAMIC CAPACITOR (CHIP)	0.100 50V Z RECT.	チ ッ プ セ ラ F		01
C238	WM489900	CERAMIC CAPACITOR (CHIP)	10.0000 35V M KAKU	チ ッ プ セ ラ コ ン		
-242	WM489900	CERAMIC CAPACITOR (CHIP)	10.0000 35V M KAKU	チ ッ プ セ ラ コ ン		
C243	WD67780R	CAPACITOR	82 16V	ア ル ミ 電 解 コ ン		
C244	WD67780R	CAPACITOR	82 16V	ア ル ミ 電 解 コ ン		
C261	UR65922R	ELECTROLYTIC CAPACITOR	2200 35.0V RX ST	ケ ミ コ ン		02
C262	US063100	CERAMIC CAPACITOR (CHIP)	1000P 50V K RECT.	チ ッ プ セ ラ (B)		01
C263	US063100	CERAMIC CAPACITOR (CHIP)	1000P 50V K RECT.	チ ッ プ セ ラ (B)		01
C264	US046100	CERAMIC CAPACITOR (CHIP)	1.00 25V K RECT.	チ ッ プ セ ラ (B)		01
C265	V585100R	CERAMIC CAPACITOR (CHIP)	470P 50V J KAKUTE	チ ッ プ セ ラ C H		01
C266	WJ590700	CERAMIC CAPACITOR (CHIP)	0.47 16V K RECT.	チ ッ プ セ ラ		
C267	US065100	CERAMIC CAPACITOR (CHIP)	0.100 50V Z RECT.	チ ッ プ セ ラ F		01
C268	US064100	CERAMIC CAPACITOR (CHIP)	0.0100 50V K RECT.	チ ッ プ セ ラ (B)		01
C269	WM489900	CERAMIC CAPACITOR (CHIP)	10.0000 35V M KAKU	チ ッ プ セ ラ コ ン		
-272	WM489900	CERAMIC CAPACITOR (CHIP)	10.0000 35V M KAKU	チ ッ プ セ ラ コ ン		
C273	WD67780R	CAPACITOR	82 16V	ア ル ミ 電 解 コ ン		
C291	UR839330	ELECTROLYTIC CAPACITOR	3300 16.0V RX TP	ケ ミ コ ン		01
C292	US063100	CERAMIC CAPACITOR (CHIP)	1000P 50V K RECT.	チ ッ プ セ ラ (B)		01
C293	US063100	CERAMIC CAPACITOR (CHIP)	1000P 50V K RECT.	チ ッ プ セ ラ (B)		01
C294	US046100	CERAMIC CAPACITOR (CHIP)	1.00 25V K RECT.	チ ッ プ セ ラ (B)		01
C295	V585100R	CERAMIC CAPACITOR (CHIP)	470P 50V J KAKUTE	チ ッ プ セ ラ C H		01
C296	WK175700	MONOLITHIC CERAMIC CAP(CHIP)	0.33 16V K KAKU TE	チ ッ プ 積 層 セ ラ コ ン		01
C297	US065100	CERAMIC CAPACITOR (CHIP)	0.100 50V Z RECT.	チ ッ プ セ ラ F		01
C298	US065100	CERAMIC CAPACITOR (CHIP)	0.100 50V Z RECT.	チ ッ プ セ ラ F		01
C299	WM489900	CERAMIC CAPACITOR (CHIP)	10.0000 35V M KAKU	チ ッ プ セ ラ コ ン		
-303	WM489900	CERAMIC CAPACITOR (CHIP)	10.0000 35V M KAKU	チ ッ プ セ ラ コ ン		
C304	WD67780R	CAPACITOR	82 16V	ア ル ミ 電 解 コ ン		
C305	WD67780R	CAPACITOR	82 16V	ア ル ミ 電 解 コ ン		
C311	US064100	CERAMIC CAPACITOR (CHIP)	0.0100 50V K RECT.	チ ッ プ セ ラ (B)		01
C312	US034470	CERAMIC CAPACITOR (CHIP)	0.0470 16V K RECT.	チ ッ プ セ ラ (B)		01
C313	WM489900	CERAMIC CAPACITOR (CHIP)	10.0000 35V M KAKU	チ ッ プ セ ラ コ ン		
C314	WM489900	CERAMIC CAPACITOR (CHIP)	10.0000 35V M KAKU	チ ッ プ セ ラ コ ン		
C315	US065100	CERAMIC CAPACITOR (CHIP)	0.100 50V Z RECT.	チ ッ プ セ ラ F		01
C316	WM489900	CERAMIC CAPACITOR (CHIP)	10.0000 35V M KAKU	チ ッ プ セ ラ コ ン		
-319	WM489900	CERAMIC CAPACITOR (CHIP)	10.0000 35V M KAKU	チ ッ プ セ ラ コ ン		
C320	US061220	CERAMIC CAPACITOR (CHIP)	22P 50V J RECT.	チ ッ プ セ ラ (C H)		01
C341	US064100	CERAMIC CAPACITOR (CHIP)	0.0100 50V K RECT.	チ ッ プ セ ラ (B)		01
C342	US034470	CERAMIC CAPACITOR (CHIP)	0.0470 16V K RECT.	チ ッ プ セ ラ (B)		01
C343	WM489900	CERAMIC CAPACITOR (CHIP)	10.0000 35V M KAKU	チ ッ プ セ ラ コ ン		
C344	WM489900	CERAMIC CAPACITOR (CHIP)	10.0000 35V M KAKU	チ ッ プ セ ラ コ ン		
C345	US065100	CERAMIC CAPACITOR (CHIP)	0.100 50V Z RECT.	チ ッ プ セ ラ F		01
C346	WM489900	CERAMIC CAPACITOR (CHIP)	10.0000 35V M KAKU	チ ッ プ セ ラ コ ン		
-349	WM489900	CERAMIC CAPACITOR (CHIP)	10.0000 35V M KAKU	チ ッ プ セ ラ コ ン		
C350	US061220	CERAMIC CAPACITOR (CHIP)	22P 50V J RECT.	チ ッ プ セ ラ (C H)		01
C401	US046100	CERAMIC CAPACITOR (CHIP)	1.00 25V K RECT.	チ ッ プ セ ラ (B)		01
-405	US046100	CERAMIC CAPACITOR (CHIP)	1.00 25V K RECT.	チ ッ プ セ ラ (B)		01
C406	US064100	CERAMIC CAPACITOR (CHIP)	0.0100 50V K RECT.	チ ッ プ セ ラ (B)		01

*: New Parts

RANK: Japan only

DCMS

REF NO.	PART NO.	DESCRIPTION	部 品 名	REMARKS	QTY	RANK
-409	US064100	CERAMIC CAPACITOR (CHIP)	0.0100 50V K RECT.	チップセラ (B)		01
C410	US063100	CERAMIC CAPACITOR (CHIP)	1000P 50V K RECT.	チップセラ (B)		01
C411	US062100	CERAMIC CAPACITOR (CHIP)	100P 50V J RECT.	チップセラ (S L)		01
C501	US063100	CERAMIC CAPACITOR (CHIP)	1000P 50V K RECT.	チップセラ (B)		01
C502	US063100	CERAMIC CAPACITOR (CHIP)	1000P 50V K RECT.	チップセラ (B)		01
C503	WM489900	CERAMIC CAPACITOR (CHIP)	10.0000 35V M KAKU	チップセラコン		
C504	WM489900	CERAMIC CAPACITOR (CHIP)	10.0000 35V M KAKU	チップセラコン		
C505	US046100	CERAMIC CAPACITOR (CHIP)	1.00 25V K RECT.	チップセラ (B)		01
C506	US065100	CERAMIC CAPACITOR (CHIP)	0.100 50V Z RECT.	チップセラ F		01
C507	US044220	CERAMIC CAPACITOR (CHIP)	0.0220 25V K RECT.	チップセラ (B)		01
C508	WU394900	MONOLITHIC CERAMIC CAP(CHIP)	2.200 6.3V K KAKUT	チップ積層セラコン		
C509	US062100	CERAMIC CAPACITOR (CHIP)	100P 50V J RECT.	チップセラ (S L)		01
C510	WD67780R	CAPACITOR	82 16V	アルミ電解コン		
C531	US063100	CERAMIC CAPACITOR (CHIP)	1000P 50V K RECT.	チップセラ (B)		01
C532	US063100	CERAMIC CAPACITOR (CHIP)	1000P 50V K RECT.	チップセラ (B)		01
C533	WM489900	CERAMIC CAPACITOR (CHIP)	10.0000 35V M KAKU	チップセラコン		
C534	WM489900	CERAMIC CAPACITOR (CHIP)	10.0000 35V M KAKU	チップセラコン		
C535	US046100	CERAMIC CAPACITOR (CHIP)	1.00 25V K RECT.	チップセラ (B)		01
C536	US065100	CERAMIC CAPACITOR (CHIP)	0.100 50V Z RECT.	チップセラ F		01
C537	US044220	CERAMIC CAPACITOR (CHIP)	0.0220 25V K RECT.	チップセラ (B)		01
C538	WU394900	MONOLITHIC CERAMIC CAP(CHIP)	2.200 6.3V K KAKUT	チップ積層セラコン		
C539	US062100	CERAMIC CAPACITOR (CHIP)	100P 50V J RECT.	チップセラ (S L)		01
C540	WF010400	ELECTROLYTIC CAPACITOR	100 25.0V TATETE	ケミコン		03
C551	US062100	CERAMIC CAPACITOR (CHIP)	100P 50V J RECT.	チップセラ (S L)		01
C552	US046100	CERAMIC CAPACITOR (CHIP)	1.00 25V K RECT.	チップセラ (B)		01
C554	WM489900	CERAMIC CAPACITOR (CHIP)	10.0000 35V M KAKU	チップセラコン		
C555	US06322R	CERAMIC CAPACITOR (CHIP)	2200P 50V K RECT.	チップセラ (B)		01
C556	US063100	CERAMIC CAPACITOR (CHIP)	1000P 50V K RECT.	チップセラ (B)		01
C557	WR351100	CERAMIC CAPACITOR (CHIP)	10 50V M KAKU	チップセラコン		01
C558	WR351100	CERAMIC CAPACITOR (CHIP)	10 50V M KAKU	チップセラコン		01
C559	US046100	CERAMIC CAPACITOR (CHIP)	1.00 25V K RECT.	チップセラ (B)		01
C560	US064100	CERAMIC CAPACITOR (CHIP)	0.0100 50V K RECT.	チップセラ (B)		01
C561	US044220	CERAMIC CAPACITOR (CHIP)	0.0220 25V K RECT.	チップセラ (B)		01
C562	WU394900	MONOLITHIC CERAMIC CAP(CHIP)	2.200 6.3V K KAKUT	チップ積層セラコン		
C563	US062100	CERAMIC CAPACITOR (CHIP)	100P 50V J RECT.	チップセラ (S L)		01
C564	WD67780R	CAPACITOR	82 16V	アルミ電解コン		
C581	US062100	CERAMIC CAPACITOR (CHIP)	100P 50V J RECT.	チップセラ (S L)		01
C582	US046100	CERAMIC CAPACITOR (CHIP)	1.00 25V K RECT.	チップセラ (B)		01
C584	WM489900	CERAMIC CAPACITOR (CHIP)	10.0000 35V M KAKU	チップセラコン		
C585	US063100	CERAMIC CAPACITOR (CHIP)	1000P 50V K RECT.	チップセラ (B)		01
C586	US063100	CERAMIC CAPACITOR (CHIP)	1000P 50V K RECT.	チップセラ (B)		01
C587	WR351100	CERAMIC CAPACITOR (CHIP)	10 50V M KAKU	チップセラコン		01
C588	WR351100	CERAMIC CAPACITOR (CHIP)	10 50V M KAKU	チップセラコン		01
C589	US046100	CERAMIC CAPACITOR (CHIP)	1.00 25V K RECT.	チップセラ (B)		01
C590	US064100	CERAMIC CAPACITOR (CHIP)	0.0100 50V K RECT.	チップセラ (B)		01
C591	US044220	CERAMIC CAPACITOR (CHIP)	0.0220 25V K RECT.	チップセラ (B)		01
C592	WU394900	MONOLITHIC CERAMIC CAP(CHIP)	2.200 6.3V K KAKUT	チップ積層セラコン		
C593	US062100	CERAMIC CAPACITOR (CHIP)	100P 50V J RECT.	チップセラ (S L)		01
C594	WF010400	ELECTROLYTIC CAPACITOR	100 25.0V TATETE	ケミコン		03
C611	US062100	CERAMIC CAPACITOR (CHIP)	100P 50V J RECT.	チップセラ (S L)		01
C612	US046100	CERAMIC CAPACITOR (CHIP)	1.00 25V K RECT.	チップセラ (B)		01
C614	WM489900	CERAMIC CAPACITOR (CHIP)	10.0000 35V M KAKU	チップセラコン		
C615	US063100	CERAMIC CAPACITOR (CHIP)	1000P 50V K RECT.	チップセラ (B)		01
C616	US063100	CERAMIC CAPACITOR (CHIP)	1000P 50V K RECT.	チップセラ (B)		01
C617	WR351100	CERAMIC CAPACITOR (CHIP)	10 50V M KAKU	チップセラコン		01
C618	WR351100	CERAMIC CAPACITOR (CHIP)	10 50V M KAKU	チップセラコン		01
C619	US046100	CERAMIC CAPACITOR (CHIP)	1.00 25V K RECT.	チップセラ (B)		01
C620	US064100	CERAMIC CAPACITOR (CHIP)	0.0100 50V K RECT.	チップセラ (B)		01
C621	US044220	CERAMIC CAPACITOR (CHIP)	0.0220 25V K RECT.	チップセラ (B)		01
C622	WU394900	MONOLITHIC CERAMIC CAP(CHIP)	2.200 6.3V K KAKUT	チップ積層セラコン		
C623	US062100	CERAMIC CAPACITOR (CHIP)	100P 50V J RECT.	チップセラ (S L)		01
C624	WF010400	ELECTROLYTIC CAPACITOR	100 25.0V TATETE	ケミコン		03
C641	V585100R	CERAMIC CAPACITOR (CHIP)	470P 50V J KAKUTE	チップセラ C H		01
C642	US044220	CERAMIC CAPACITOR (CHIP)	0.0220 25V K RECT.	チップセラ (B)		01
C643	US046100	CERAMIC CAPACITOR (CHIP)	1.00 25V K RECT.	チップセラ (B)		01
C644	WM489900	CERAMIC CAPACITOR (CHIP)	10.0000 35V M KAKU	チップセラコン		
C645	WM489900	CERAMIC CAPACITOR (CHIP)	10.0000 35V M KAKU	チップセラコン		
* C646	WZ881600	ELECTROLYTIC CAPACITOR	100 63.0V TATESUT	ケミコン P W		
C647	US062100	CERAMIC CAPACITOR (CHIP)	100P 50V J RECT.	チップセラ (S L)		01
C671	US065100	CERAMIC CAPACITOR (CHIP)	0.100 50V Z RECT.	チップセラ F		01

*: New Parts

RANK: Japan only

DCMS

REF NO.	PART NO.	DESCRIPTION	部 品 名	REMARKS	QTY	RANK
C672	WD758300	CERAMIC CAPACITOR (CHIP)	10U 10V K RECT.	チ ッ プ セ ラ		01
C673	WC40450R	ELECTROLYTIC CAPACITOR	150.00 10.0V	チ ッ プ ケ ミ コ ン U D		01
C674	US065100	CERAMIC CAPACITOR (CHIP)	0.100 50V Z RECT.	チ ッ プ セ ラ F		01
C675	US046100	CERAMIC CAPACITOR (CHIP)	1.00 25V K RECT.	チ ッ プ セ ラ (B)		01
C676	WC37000R	ELECTROLYTIC CAP. (CHIP)	220.00 35.0V	チ ッ プ ケ ミ コ ン U D		01
C677	US065100	CERAMIC CAPACITOR (CHIP)	0.100 50V Z RECT.	チ ッ プ セ ラ F		01
C678	WM489900	CERAMIC CAPACITOR (CHIP)	10.0000 35V M KAKU	チ ッ プ セ ラ コ ン		02
C679	UR65922R	ELECTROLYTIC CAPACITOR	2200 35.0V RX ST	ケ ミ コ ン		01
C680	US065100	CERAMIC CAPACITOR (CHIP)	0.100 50V Z RECT.	チ ッ プ セ ラ F		01
C681	WD758300	CERAMIC CAPACITOR (CHIP)	10U 10V K RECT.	チ ッ プ セ ラ		01
C682	WC40450R	ELECTROLYTIC CAPACITOR	150.00 10.0V	チ ッ プ ケ ミ コ ン U D		01
C683	US065100	CERAMIC CAPACITOR (CHIP)	0.100 50V Z RECT.	チ ッ プ セ ラ F		01
C684	US046100	CERAMIC CAPACITOR (CHIP)	1.00 25V K RECT.	チ ッ プ セ ラ (B)		01
C685	WC37000R	ELECTROLYTIC CAP. (CHIP)	220.00 35.0V	チ ッ プ ケ ミ コ ン U D		01
C701	US065100	CERAMIC CAPACITOR (CHIP)	0.100 50V Z RECT.	チ ッ プ セ ラ F		01
C702	WD758300	CERAMIC CAPACITOR (CHIP)	10U 10V K RECT.	チ ッ プ セ ラ		01
C703	WC40450R	ELECTROLYTIC CAPACITOR	150.00 10.0V	チ ッ プ ケ ミ コ ン U D		01
C704	US065100	CERAMIC CAPACITOR (CHIP)	0.100 50V Z RECT.	チ ッ プ セ ラ F		01
C705	WD758300	CERAMIC CAPACITOR (CHIP)	10U 10V K RECT.	チ ッ プ セ ラ		01
C706	WC40450R	ELECTROLYTIC CAPACITOR	150.00 10.0V	チ ッ プ ケ ミ コ ン U D		01
C707	US065100	CERAMIC CAPACITOR (CHIP)	0.100 50V Z RECT.	チ ッ プ セ ラ F		01
C708	US046100	CERAMIC CAPACITOR (CHIP)	1.00 25V K RECT.	チ ッ プ セ ラ (B)		01
C709	WC37000R	ELECTROLYTIC CAP. (CHIP)	220.00 35.0V	チ ッ プ ケ ミ コ ン U D		01
C710	US065100	CERAMIC CAPACITOR (CHIP)	0.100 50V Z RECT.	チ ッ プ セ ラ F		01
C711	WD758300	CERAMIC CAPACITOR (CHIP)	10U 10V K RECT.	チ ッ プ セ ラ		01
C712	WC40450R	ELECTROLYTIC CAPACITOR	150.00 10.0V	チ ッ プ ケ ミ コ ン U D		01
C713	US065100	CERAMIC CAPACITOR (CHIP)	0.100 50V Z RECT.	チ ッ プ セ ラ F		01
C714	US046100	CERAMIC CAPACITOR (CHIP)	1.00 25V K RECT.	チ ッ プ セ ラ (B)		01
C715	WC37000R	ELECTROLYTIC CAP. (CHIP)	220.00 35.0V	チ ッ プ ケ ミ コ ン U D		01
C716	UU249220	ELECTROLYTIC CAPACITOR	2200 25.0V FORM.	ケ ミ コ ン F W		02
-719	UU249220	ELECTROLYTIC CAPACITOR	2200 25.0V FORM.	ケ ミ コ ン F W		02
C731	US046100	CERAMIC CAPACITOR (CHIP)	1.00 25V K RECT.	チ ッ プ セ ラ (B)		01
C732	US046100	CERAMIC CAPACITOR (CHIP)	1.00 25V K RECT.	チ ッ プ セ ラ (B)		01
C733	UR65922R	ELECTROLYTIC CAPACITOR	2200 35.0V RX ST	ケ ミ コ ン		02
C734	US065100	CERAMIC CAPACITOR (CHIP)	0.100 50V Z RECT.	チ ッ プ セ ラ F		01
C735	US046100	CERAMIC CAPACITOR (CHIP)	1.00 25V K RECT.	チ ッ プ セ ラ (B)		01
-738	US046100	CERAMIC CAPACITOR (CHIP)	1.00 25V K RECT.	チ ッ プ セ ラ (B)		01
C739	US065100	CERAMIC CAPACITOR (CHIP)	0.100 50V Z RECT.	チ ッ プ セ ラ F		01
C740	US046100	CERAMIC CAPACITOR (CHIP)	1.00 25V K RECT.	チ ッ プ セ ラ (B)		01
C741	US046100	CERAMIC CAPACITOR (CHIP)	1.00 25V K RECT.	チ ッ プ セ ラ (B)		01
C761	US046100	CERAMIC CAPACITOR (CHIP)	1.00 25V K RECT.	チ ッ プ セ ラ (B)		01
C762	WM489900	CERAMIC CAPACITOR (CHIP)	10.0000 35V M KAKU	チ ッ プ セ ラ コ ン		01
C763	US065100	CERAMIC CAPACITOR (CHIP)	0.100 50V Z RECT.	チ ッ プ セ ラ F		01
C764	US063100	CERAMIC CAPACITOR (CHIP)	1000P 50V K RECT.	チ ッ プ セ ラ (B)		01
C801	US046100	CERAMIC CAPACITOR (CHIP)	1.00 25V K RECT.	チ ッ プ セ ラ (B)		01
C802	WM489900	CERAMIC CAPACITOR (CHIP)	10.0000 35V M KAKU	チ ッ プ セ ラ コ ン		01
C803	US065100	CERAMIC CAPACITOR (CHIP)	0.100 50V Z RECT.	チ ッ プ セ ラ F		01
C804	US063100	CERAMIC CAPACITOR (CHIP)	1000P 50V K RECT.	チ ッ プ セ ラ (B)		01
C841	US046100	CERAMIC CAPACITOR (CHIP)	1.00 25V K RECT.	チ ッ プ セ ラ (B)		01
-843	US046100	CERAMIC CAPACITOR (CHIP)	1.00 25V K RECT.	チ ッ プ セ ラ (B)		01
C844	US063100	CERAMIC CAPACITOR (CHIP)	1000P 50V K RECT.	チ ッ プ セ ラ (B)		01
C846	US034470	CERAMIC CAPACITOR (CHIP)	0.0470 16V K RECT.	チ ッ プ セ ラ (B)		01
C847	WJ590700	CERAMIC CAPACITOR (CHIP)	0.47 16V K RECT.	チ ッ プ セ ラ		01
C848	WM489900	CERAMIC CAPACITOR (CHIP)	10.0000 35V M KAKU	チ ッ プ セ ラ コ ン		01
C849	WM489900	CERAMIC CAPACITOR (CHIP)	10.0000 35V M KAKU	チ ッ プ セ ラ コ ン		01
C850	US065100	CERAMIC CAPACITOR (CHIP)	0.100 50V Z RECT.	チ ッ プ セ ラ F		01
C851	WD67780R	CAPACITOR	82 16V	ア ル ミ 電 解 コ ン		01
C852	US061220	CERAMIC CAPACITOR (CHIP)	22P 50V J RECT.	チ ッ プ セ ラ (C H)		01
C853	US062100	CERAMIC CAPACITOR (CHIP)	100P 50V J RECT.	チ ッ プ セ ラ (S L)		01
C854	US046100	CERAMIC CAPACITOR (CHIP)	1.00 25V K RECT.	チ ッ プ セ ラ (B)		01
-856	US046100	CERAMIC CAPACITOR (CHIP)	1.00 25V K RECT.	チ ッ プ セ ラ (B)		01
CN001	LB932100	CONNECTOR	VH 10P TE	ベ ー ス ポ ス ト		02
CN081	VB39060R	CONNECTOR	PH 10P TE	ベ ー ス ポ ス ト		01
-084	VB39060R	CONNECTOR	PH 10P TE	ベ ー ス ポ ス ト		01
CN085	VB39000R	CONNECTOR	PH 4P TE	ベ ー ス ポ ス ト		01
CN131	VB390200	CONNECTOR	PH 6P TE	ベ ー ス ポ ス ト		01
CN151	VB39000R	CONNECTOR	PH 4P TE	ベ ー ス ポ ス ト		01
CN401	VB39010R	CONNECTOR	PH 5P TE	ベ ー ス ポ ス ト		01
CN402	LB932100	CONNECTOR	VH 10P TE	ベ ー ス ポ ス ト		02
CN731	VF28340R	CONNECTOR	PH 16P TE	ベ ー ス ポ ス ト		01

*: New Parts

RANK: Japan only

DCMS

REF NO.	PART NO.	DESCRIPTION	部 品 名	REMARKS	QTY	RANK
CN732	VF28340R	CONNECTOR	PH 16P TE	ベースボスト		01
CN733	VE35260R	CONNECTOR	PH 14P TE	ベースボスト		01
CN734	VF28340R	CONNECTOR	PH 16P TE	ベースボスト		01
CN735	VB390500	CONNECTOR	PH 9P TE	ベースボスト		03
CN761	VB38990R	CONNECTOR	PH 3P TE	ベースボスト		01
CN801	VB38990R	CONNECTOR	PH 3P TE	ベースボスト		01
CN841	VB38980R	CONNECTOR	PH 2P TE	ベースボスト		01
-843	VB38980R	CONNECTOR	PH 2P TE	ベースボスト		01
D051	VT332900	DIODE (CHIP)	1SS355 TE-17 TP	チップダイオード		01
D052	VS59760R	DIODE (CHIP)	RB160L-40 TE25 TP	チップダイオード		01
D081	VT332900	DIODE (CHIP)	1SS355 TE-17 TP	チップダイオード		01
D082	WC54960R	DIODE (CHIP)	RB160M-30 TR	チップダイオード		04
D101	VT332900	DIODE (CHIP)	1SS355 TE-17 TP	チップダイオード		01
D102	WC54960R	DIODE (CHIP)	RB160M-30 TR	チップダイオード		04
D131	VT332900	DIODE (CHIP)	1SS355 TE-17 TP	チップダイオード		01
D132	VS59760R	DIODE (CHIP)	RB160L-40 TE25 TP	チップダイオード		01
* D133	VU307000	ZENER DIODE	PTZ 18BTE25 18V	ツェナーダイオード		
D151	WH949300	SCHOTTKY BARRIER DIODE	RSX201L-30TE25	ショットキダイオード		01
* D152	VU307000	ZENER DIODE	PTZ 18BTE25 18V	ツェナーダイオード		
D201	VT332900	DIODE (CHIP)	1SS355 TE-17 TP	チップダイオード		01
D202	VS59760R	DIODE (CHIP)	RB160L-40 TE25 TP	チップダイオード		01
D231	VT332900	DIODE (CHIP)	1SS355 TE-17 TP	チップダイオード		01
D232	WC54960R	DIODE (CHIP)	RB160M-30 TR	チップダイオード		04
D261	V2330500	SCHOTTKY BARRIER DIODE	DE5S4M	ショットキダイオード		03
D262	VT332900	DIODE (CHIP)	1SS355 TE-17 TP	チップダイオード		01
D263	VS59760R	DIODE (CHIP)	RB160L-40 TE25 TP	チップダイオード		01
D291	V2330500	SCHOTTKY BARRIER DIODE	DE5S4M	ショットキダイオード		03
D292	VT332900	DIODE (CHIP)	1SS355 TE-17 TP	チップダイオード		01
D293	WC54960R	DIODE (CHIP)	RB160M-30 TR	チップダイオード		04
D311	WH949300	SCHOTTKY BARRIER DIODE	RSX201L-30TE25	ショットキダイオード		01
* D312	VU307000	ZENER DIODE	PTZ 18BTE25 18V	ツェナーダイオード		
D341	V2330500	SCHOTTKY BARRIER DIODE	DE5S4M	ショットキダイオード		03
* D342	VU307000	ZENER DIODE	PTZ 18BTE25 18V	ツェナーダイオード		
D501	WH949300	SCHOTTKY BARRIER DIODE	RSX201L-30TE25	ショットキダイオード		01
D531	WH949300	SCHOTTKY BARRIER DIODE	RSX201L-30TE25	ショットキダイオード		01
D552	VU171400	ZENER DIODE	UDZS3.3BTE-17 3.3V	ツェナーダイオード		
D553	V476680R	DIODE (CHIP)	RB060L-40 TAPING	チップダイオード		01
D554	VS59760R	DIODE (CHIP)	RB160L-40 TE25 TP	チップダイオード		01
D582	VU171400	ZENER DIODE	UDZS3.3BTE-17 3.3V	ツェナーダイオード		
D583	V840920R	DIODE (CHIP)	RB160L-60 TE	チップダイオード		01
D584	VS59760R	DIODE (CHIP)	RB160L-40 TE25 TP	チップダイオード		01
D612	VU171400	ZENER DIODE	UDZS3.3BTE-17 3.3V	ツェナーダイオード		
D613	WE49220R	DIODE	DE3S6M	ダイオード		02
D614	VS59760R	DIODE (CHIP)	RB160L-40 TE25 TP	チップダイオード		01
D641	V840920R	DIODE (CHIP)	RB160L-60 TE	チップダイオード		01
D671	WC54960R	DIODE (CHIP)	RB160M-30 TR	チップダイオード		04
-681	WC54960R	DIODE (CHIP)	RB160M-30 TR	チップダイオード		04
D701	WC54960R	DIODE (CHIP)	RB160M-30 TR	チップダイオード		04
-710	WC54960R	DIODE (CHIP)	RB160M-30 TR	チップダイオード		04
D731	WC54960R	DIODE (CHIP)	RB160M-30 TR	チップダイオード		04
D761	VU172800	ZENER DIODE	UDZS12B TE-17 12V	ツェナーダイオード		01
D762	VU171900	ZENER DIODE	UDZS5.1BTE-17 5.1V	ツェナーダイオード		01
D801	VU172800	ZENER DIODE	UDZS12B TE-17 12V	ツェナーダイオード		01
D802	VU171900	ZENER DIODE	UDZS5.1BTE-17 5.1V	ツェナーダイオード		01
D841	VU171400	ZENER DIODE	UDZS3.3BTE-17 3.3V	ツェナーダイオード		
D842	WH949300	SCHOTTKY BARRIER DIODE	RSX201L-30TE25	ショットキダイオード		01
DA401	WE97260R	ZENER DIODE	HZM6.2ZMFATR-E	ツェナーダイオード		01
EM081	WN593800	EMI FILTER (CHIP)	NFM21PC105B1A3D	エミフィルチップ		01
-084	WN593800	EMI FILTER (CHIP)	NFM21PC105B1A3D	エミフィルチップ		01
EM131	WE05620R	EMI FILTER (CHIP)	NFM21PC105B1A3D	エミフィルチップ		01
EM132	WN593800	EMI FILTER (CHIP)	NFM21PC105B1A3D	エミフィルチップ		01
EM151	WE05620R	EMI FILTER (CHIP)	NFM21PC105B1A3D	エミフィルチップ		01
EM401	ZC805200	EMI FILTER (CHIP)	31PT222Z1E9L TP	チップエミフィル		01
-407	ZC805200	EMI FILTER (CHIP)	31PT222Z1E9L TP	チップエミフィル		01
EM731	ZC805200	EMI FILTER (CHIP)	31PT222Z1E9L TP	チップエミフィル		01
EM732	ZC805200	EMI FILTER (CHIP)	31PT222Z1E9L TP	チップエミフィル		01
EM733	WN593800	EMI FILTER (CHIP)	NFM21PC105B1A3D	エミフィルチップ		01
-736	WN593800	EMI FILTER (CHIP)	NFM21PC105B1A3D	エミフィルチップ		01
EM738	ZC805200	EMI FILTER (CHIP)	31PT222Z1E9L TP	チップエミフィル		01
-741	ZC805200	EMI FILTER (CHIP)	31PT222Z1E9L TP	チップエミフィル		01

*: New Parts

RANK: Japan only

DCMS

REF NO.	PART NO.	DESCRIPTION		部 品 名	REMARKS	QTY	RANK
EM742	WE05620R	EMI FILTER (CHIP)	NFM21PC105B1A3D	エミフィルチップ			01
-745	WE05620R	EMI FILTER (CHIP)	NFM21PC105B1A3D	エミフィルチップ			01
EM747	WE05620R	EMI FILTER (CHIP)	NFM21PC105B1A3D	エミフィルチップ			01
EM748	ZC805200	EMI FILTER (CHIP)	31PT222Z1E9L TP	チップ エミフィル			01
EM749	ZC805200	EMI FILTER (CHIP)	31PT222Z1E9L TP	チップ エミフィル			01
EM750	WE05620R	EMI FILTER (CHIP)	NFM21PC105B1A3D	エミフィルチップ			01
EM761	WE94560R	EMI FILTER (CHIP)	NFM21CC223R1H3D	エミフィルチップ			01
EM801	WE94560R	EMI FILTER (CHIP)	NFM21CC223R1H3D	エミフィルチップ			01
EM841	ZC805200	EMI FILTER (CHIP)	31PT222Z1E9L TP	チップ エミフィル			01
-843	ZC805200	EMI FILTER (CHIP)	31PT222Z1E9L TP	チップ エミフィル			01
* FT101	ZC940400	FET	NTMD5838NLR2G TA	F E T			
* FT131	ZC940400	FET	NTMD5838NLR2G TA	F E T			
IC001	X3847A00R	IC	S-80142ANMC-JC3T2G	I C	SYSTEM RESET		01
IC011	X6770A00	IC	NJM431U(TE1)	I C	VARIABLE SHUNT REGULATOR		01
IC012	X8376A00	IC	TC7SH14FU(TE85L,JF)	I C	INVERTER		01
IC013	X5534A00	IC	SN74LV74APWR	I C	D-FF		01
IC014	X7551A00	IC	SN74LV164APWR	I C	SHIFT REGISTER		
* IC051	YD463A00	IC	LV5749NV-TLM-E	I C	SWITCHING REGULATOR		
* IC081	YD463A00	IC	LV5749NV-TLM-E	I C	SWITCHING REGULATOR		
* IC101	YD463A00	IC	LV5749NV-TLM-E	I C	SWITCHING REGULATOR		
* IC131	YD463A00	IC	LV5749NV-TLM-E	I C	SWITCHING REGULATOR		
* IC151	YE497A00	IC	TPS54240DGQR	I C	SWITCHING REGULATOR		
* IC201	YD463A00	IC	LV5749NV-TLM-E	I C	SWITCHING REGULATOR		
* IC231	YD463A00	IC	LV5749NV-TLM-E	I C	SWITCHING REGULATOR		
* IC261	YD463A00	IC	LV5749NV-TLM-E	I C	SWITCHING REGULATOR		
* IC291	YD463A00	IC	LV5749NV-TLM-E	I C	SWITCHING REGULATOR		
* IC311	YE497A00	IC	TPS54240DGQR	I C	SWITCHING REGULATOR		
* IC341	YE497A00	IC	TPS54240DGQR	I C	SWITCHING REGULATOR		
* IC501	YD513A00	IC	LM5575MHX/NOPB	I C	SWITCHING REGULATOR		
* IC531	YD513A00	IC	LM5575MHX/NOPB	I C	SWITCHING REGULATOR		
IC551	X8375A00	IC	TC7SHU04FU	I C	INVERTER		01
* IC552	YD513A00	IC	LM5575MHX/NOPB	I C	SWITCHING REGULATOR		
IC581	X8375A00	IC	TC7SHU04FU	I C	INVERTER		01
* IC582	YD513A00	IC	LM5575MHX/NOPB	I C	SWITCHING REGULATOR		
IC611	X8375A00	IC	TC7SHU04FU	I C	INVERTER		01
* IC612	YD513A00	IC	LM5575MHX/NOPB	I C	SWITCHING REGULATOR		
IC641	YA632A00	IC	LM5001MA/NOPB	I C	REGULATOR +48V		06
IC671	X9037A00	IC	LM1085ISX-5.0/NOPB	I C	REGULATOR +5V		05
IC672	X4365A0R	IC	LM2940CSX-15/NOPB	I C	REGULATOR +15V		03
IC673	X4368A0R	IC	NJM78M20DL1A(TE1)	I C	REGULATOR +20V		02
IC674	X4367A0R	IC	LM2990SX-5.0/NOPB	I C	REGULATOR -5V		05
IC675	X3949A0R	IC	LM2990SX-15/NOPB	I C	REGULATOR -15V		06
* IC701	YE139A00	IC	NJM2386ADL3-33(TE2)	I C	REGULATOR +3.3V		
* IC702	YE140A00	IC	NJM2386ADL3-05(TE2)	I C	REGULATOR +5V		
IC703	X4365A0R	IC	LM2940CSX-15/NOPB	I C	REGULATOR +15V		03
* IC704	YD786A00	IC	NJM2827F3-05(TE1)	I C	REGULATOR -5V		
IC705	X3949A0R	IC	LM2990SX-15/NOPB	I C	REGULATOR -15V		06
* IC841	X7911A00	IC	NJU7043RB1(TE1)	I C	OP AMP		
* IC842	YE497A00	IC	TPS54240DGQR	I C	SWITCHING REGULATOR		
K001	--	EARTH PLATE		アースプレート	(WA20680)		
K002	--	EARTH PLATE		アースプレート	(WA20680)		
L051	WC21830R	COIL	22uH RCR1616NP-220M TAT	コイル 2 2 U			03
L081	WC21830R	COIL	22uH RCR1616NP-220M TAT	コイル 2 2 U			03
L101	WH743400	COIL	7B12HA-220M-R SMD	コイル			02
L131	WF468000	INDUCTOR (CHIP)	22uH 7E10H-220	チップインダクタ			02
* L151	WZ873300	INDUCTOR (CHIP)	CER7052-220M-R	チップインダクタ			
L201	WC21830R	COIL	22uH RCR1616NP-220M TAT	コイル 2 2 U			03
L231	WC21830R	COIL	22uH RCR1616NP-220M TAT	コイル 2 2 U			03
L261	WC21830R	COIL	22uH RCR1616NP-220M TAT	コイル 2 2 U			03
L291	WC21830R	COIL	22uH RCR1616NP-220M TAT	コイル 2 2 U			03
L311	WF468000	INDUCTOR (CHIP)	22U 7E10H-220	チップインダクタ			
L341	WH743400	COIL	7B12HA-220M-R SMD	コイル			02
L501	WH145900	COIL	100uH CDRH127/LDNP-101MC	コイル 1 0 0 U			03
L531	WH145900	COIL	100uH CDRH127/LDNP-101MC	コイル 1 0 0 U			03
L551	WH145900	COIL	100uH CDRH127/LDNP-101MC	コイル 1 0 0 U			03
L581	WH145900	COIL	100uH CDRH127/LDNP-101MC	コイル 1 0 0 U			03
L611	WH145900	COIL	100uH CDRH127/LDNP-101MC	コイル 1 0 0 U			03
L641	WR604800	COIL INDUCTOR (CHIP)	1000uH 7E10Q-102M-R	チップインダクタ			
L841	WH145900	COIL	100uH CDRH127/LDNP-101MC	コイル 1 0 0 U			03
* Q051	WY397400	FET	SFT1450-TL-H TE	F E T			

*: New Parts

RANK: Japan only

DCMS

REF NO.	PART NO.	DESCRIPTION	部	品	名	REMARKS	QTY	RANK
* Q052	WY397400	FET	SFT1450-TL-H TE	F	E	T		
* Q081	WY397400	FET	SFT1450-TL-H TE	F	E	T		
* Q082	WY397400	FET	SFT1450-TL-H TE	F	E	T		
* Q201	WY397400	FET	SFT1450-TL-H TE	F	E	T		
* Q202	WY397400	FET	SFT1450-TL-H TE	F	E	T		
* Q231	WY397400	FET	SFT1450-TL-H TE	F	E	T		
* Q232	WY397400	FET	SFT1450-TL-H TE	F	E	T		
* Q261	WY397400	FET	SFT1450-TL-H TE	F	E	T		
* Q262	WY397400	FET	SFT1450-TL-H TE	F	E	T		
* Q291	WY397400	FET	SFT1450-TL-H TE	F	E	T		
* Q292	WY397400	FET	SFT1450-TL-H TE	F	E	T		
R001	RF457100	CARBON RESISTOR (CHIP)	10.0K D RECT.	チ	ッ	ブ 抵 抗		
R002	RF456270	CARBON RESISTOR (CHIP)	2.7K D RECT.	チ	ッ	ブ 抵 抗		
R003	RD357100	CARBON RESISTOR (CHIP)	10.0K 63M J RECT.	チ	ッ	ブ 抵 抗		01
R004	RD356330	CARBON RESISTOR (CHIP)	3.3K 63M J RECT.	チ	ッ	ブ 抵 抗		01
R005	RD357100	CARBON RESISTOR (CHIP)	10.0K 63M J RECT.	チ	ッ	ブ 抵 抗		01
R006	RD359100	CARBON RESISTOR (CHIP)	1.0M 63M J RECT.	チ	ッ	ブ 抵 抗		01
R011	RD155680	CARBON RESISTOR (CHIP)	680.0 1/4 J TP	チ	ッ	ブ 抵 抗		01
R012	RD155680	CARBON RESISTOR (CHIP)	680.0 1/4 J TP	チ	ッ	ブ 抵 抗		01
R013	RF456150	CARBON RESISTOR (CHIP)	1.5K D RECT.	チ	ッ	ブ 抵 抗		
R014	RF456470	CARBON RESISTOR (CHIP)	4.7K D RECT.	チ	ッ	ブ 抵 抗		
R015	RD35747R	CARBON RESISTOR (CHIP)	47.0K 63M J RECT.	チ	ッ	ブ 抵 抗		01
R016	RF456470	CARBON RESISTOR (CHIP)	4.7K D RECT.	チ	ッ	ブ 抵 抗		
R017	RD355470	CARBON RESISTOR (CHIP)	470.0 63M J RECT.	チ	ッ	ブ 抵 抗		01
R018	RD355680	CARBON RESISTOR (CHIP)	680.0 63M J RECT.	チ	ッ	ブ 抵 抗		01
R019	RD355470	CARBON RESISTOR (CHIP)	470.0 63M J RECT.	チ	ッ	ブ 抵 抗		01
R020	RD355680	CARBON RESISTOR (CHIP)	680.0 63M J RECT.	チ	ッ	ブ 抵 抗		01
-027	RD355680	CARBON RESISTOR (CHIP)	680.0 63M J RECT.	チ	ッ	ブ 抵 抗		01
R028	RD155680	CARBON RESISTOR (CHIP)	680.0 1/4 J TP	チ	ッ	ブ 抵 抗		01
R052	RD350001	CARBON RESISTOR (CHIP)	0 63M J RECT.	チ	ッ	ブ 抵 抗		01
R053	RD357330	CARBON RESISTOR (CHIP)	33.0K 63M J RECT.	チ	ッ	ブ 抵 抗		01
R054	RD35410R	CARBON RESISTOR (CHIP)	10.0 63M J RECT.	チ	ッ	ブ 抵 抗		01
R055	RD35410R	CARBON RESISTOR (CHIP)	10.0 63M J RECT.	チ	ッ	ブ 抵 抗		01
R056	RD350001	CARBON RESISTOR (CHIP)	0 63M J RECT.	チ	ッ	ブ 抵 抗		01
R058	RD356330	CARBON RESISTOR (CHIP)	3.3K 63M J RECT.	チ	ッ	ブ 抵 抗		01
R059	RD358100	CARBON RESISTOR (CHIP)	100.0K 63M J RECT.	チ	ッ	ブ 抵 抗		01
R060	RD357220	CARBON RESISTOR (CHIP)	22.0K 63M J RECT.	チ	ッ	ブ 抵 抗		01
R061	RD357750	CARBON RESISTOR (CHIP)	75.0K 63M J RECT.	チ	ッ	ブ 抵 抗		01
R062	RF456470	CARBON RESISTOR (CHIP)	4.7K D RECT.	チ	ッ	ブ 抵 抗		
R063	RF457470	CARBON RESISTOR (CHIP)	47.0K D RECT.	チ	ッ	ブ 抵 抗		
R064	RF457330	CARBON RESISTOR (CHIP)	33.0K D RECT.	チ	ッ	ブ 抵 抗		01
R082	RD350001	CARBON RESISTOR (CHIP)	0 63M J RECT.	チ	ッ	ブ 抵 抗		01
R083	RD357330	CARBON RESISTOR (CHIP)	33.0K 63M J RECT.	チ	ッ	ブ 抵 抗		01
R084	RD35410R	CARBON RESISTOR (CHIP)	10.0 63M J RECT.	チ	ッ	ブ 抵 抗		01
R085	RD35410R	CARBON RESISTOR (CHIP)	10.0 63M J RECT.	チ	ッ	ブ 抵 抗		01
R086	RD350001	CARBON RESISTOR (CHIP)	0 63M J RECT.	チ	ッ	ブ 抵 抗		01
R088	RD356220	CARBON RESISTOR (CHIP)	2.2K 63M J RECT.	チ	ッ	ブ 抵 抗		01
R089	RD358100	CARBON RESISTOR (CHIP)	100.0K 63M J RECT.	チ	ッ	ブ 抵 抗		01
R090	RD35747R	CARBON RESISTOR (CHIP)	47.0K 63M J RECT.	チ	ッ	ブ 抵 抗		01
R091	RD357750	CARBON RESISTOR (CHIP)	75.0K 63M J RECT.	チ	ッ	ブ 抵 抗		01
R092	RF456470	CARBON RESISTOR (CHIP)	4.7K D RECT.	チ	ッ	ブ 抵 抗		
R093	RF456820	CARBON RESISTOR (CHIP)	8.2K D RECT.	チ	ッ	ブ 抵 抗		
R094	RF457220	CARBON RESISTOR (CHIP)	22.0K D RECT.	チ	ッ	ブ 抵 抗		
R102	RD350001	CARBON RESISTOR (CHIP)	0 63M J RECT.	チ	ッ	ブ 抵 抗		01
R103	RD357100	CARBON RESISTOR (CHIP)	10.0K 63M J RECT.	チ	ッ	ブ 抵 抗		01
R104	RD35410R	CARBON RESISTOR (CHIP)	10.0 63M J RECT.	チ	ッ	ブ 抵 抗		01
R105	RD35410R	CARBON RESISTOR (CHIP)	10.0 63M J RECT.	チ	ッ	ブ 抵 抗		01
R106	RD350001	CARBON RESISTOR (CHIP)	0 63M J RECT.	チ	ッ	ブ 抵 抗		01
R108	RD356220	CARBON RESISTOR (CHIP)	2.2K 63M J RECT.	チ	ッ	ブ 抵 抗		01
R109	RD358100	CARBON RESISTOR (CHIP)	100.0K 63M J RECT.	チ	ッ	ブ 抵 抗		01
R110	RD35747R	CARBON RESISTOR (CHIP)	47.0K 63M J RECT.	チ	ッ	ブ 抵 抗		01
R111	RD357750	CARBON RESISTOR (CHIP)	75.0K 63M J RECT.	チ	ッ	ブ 抵 抗		01
R112	RF456470	CARBON RESISTOR (CHIP)	4.7K D RECT.	チ	ッ	ブ 抵 抗		
R113	RF456820	CARBON RESISTOR (CHIP)	8.2K D RECT.	チ	ッ	ブ 抵 抗		
R114	RF457220	CARBON RESISTOR (CHIP)	22.0K D RECT.	チ	ッ	ブ 抵 抗		
R132	RD350001	CARBON RESISTOR (CHIP)	0 63M J RECT.	チ	ッ	ブ 抵 抗		01
R133	RD356820	CARBON RESISTOR (CHIP)	8.2K 63M J RECT.	チ	ッ	ブ 抵 抗		01
R134	RD35410R	CARBON RESISTOR (CHIP)	10.0 63M J RECT.	チ	ッ	ブ 抵 抗		01
R135	RD35410R	CARBON RESISTOR (CHIP)	10.0 63M J RECT.	チ	ッ	ブ 抵 抗		01
R136	RD350001	CARBON RESISTOR (CHIP)	0 63M J RECT.	チ	ッ	ブ 抵 抗		01

*: New Parts

RANK: Japan only

DCMS

REF NO.	PART NO.	DESCRIPTION	部	品	名	REMARKS	QTY	RANK
R138	RD356150	CARBON RESISTOR (CHIP)	1.5K	63M	J RECT.	チ ッ ブ 抵 抗		01
R139	RD358100	CARBON RESISTOR (CHIP)	100.0K	63M	J RECT.	チ ッ ブ 抵 抗		01
R140	RD357220	CARBON RESISTOR (CHIP)	22.0K	63M	J RECT.	チ ッ ブ 抵 抗		01
R141	RD357750	CARBON RESISTOR (CHIP)	75.0K	63M	J RECT.	チ ッ ブ 抵 抗		01
R142	RF456470	CARBON RESISTOR (CHIP)	4.7K	D	RECT.	チ ッ ブ 抵 抗		
R143	RF456680	CARBON RESISTOR (CHIP)	6.8K	D	RECT.	チ ッ ブ 抵 抗		
R144	RF457120	CARBON RESISTOR (CHIP)	12.0K	D	RECT.	チ ッ ブ 抵 抗		
R151	RF456470	CARBON RESISTOR (CHIP)	4.7K	D	RECT.	チ ッ ブ 抵 抗		
R152	RF457180	CARBON RESISTOR (CHIP)	18.0K	D	RECT.	チ ッ ブ 抵 抗		
R153	RF456680	CARBON RESISTOR (CHIP)	6.8K	D	RECT.	チ ッ ブ 抵 抗		
R155	RD357100	CARBON RESISTOR (CHIP)	10.0K	63M	J RECT.	チ ッ ブ 抵 抗		01
R156	RD358100	CARBON RESISTOR (CHIP)	100.0K	63M	J RECT.	チ ッ ブ 抵 抗		01
R157	RD356820	CARBON RESISTOR (CHIP)	8.2K	63M	J RECT.	チ ッ ブ 抵 抗		01
R158	RD358470	CARBON RESISTOR (CHIP)	470.0K	63M	J RECT.	チ ッ ブ 抵 抗		01
R159	RD356390	CARBON RESISTOR (CHIP)	3.9K	63M	J RECT.	チ ッ ブ 抵 抗		01
R161	RD35527R	CARBON RESISTOR (CHIP)	270.0	63M	J RECT.	チ ッ ブ 抵 抗		01
R202	RD350001	CARBON RESISTOR (CHIP)	0	63M	J RECT.	チ ッ ブ 抵 抗		01
R203	RD357150	CARBON RESISTOR (CHIP)	15.0K	63M	J RECT.	チ ッ ブ 抵 抗		01
R204	RD35410R	CARBON RESISTOR (CHIP)	10.0	63M	J RECT.	チ ッ ブ 抵 抗		01
R205	RD35410R	CARBON RESISTOR (CHIP)	10.0	63M	J RECT.	チ ッ ブ 抵 抗		01
R206	RD350001	CARBON RESISTOR (CHIP)	0	63M	J RECT.	チ ッ ブ 抵 抗		01
R208	RD356330	CARBON RESISTOR (CHIP)	3.3K	63M	J RECT.	チ ッ ブ 抵 抗		01
R209	RD358100	CARBON RESISTOR (CHIP)	100.0K	63M	J RECT.	チ ッ ブ 抵 抗		01
R210	RD357220	CARBON RESISTOR (CHIP)	22.0K	63M	J RECT.	チ ッ ブ 抵 抗		01
R211	RD357750	CARBON RESISTOR (CHIP)	75.0K	63M	J RECT.	チ ッ ブ 抵 抗		01
R212	RF456470	CARBON RESISTOR (CHIP)	4.7K	D	RECT.	チ ッ ブ 抵 抗		
R213	RF457470	CARBON RESISTOR (CHIP)	47.0K	D	RECT.	チ ッ ブ 抵 抗		
R214	RF457330	CARBON RESISTOR (CHIP)	33.0K	D	RECT.	チ ッ ブ 抵 抗		01
R232	RD350001	CARBON RESISTOR (CHIP)	0	63M	J RECT.	チ ッ ブ 抵 抗		01
R233	RD357330	CARBON RESISTOR (CHIP)	33.0K	63M	J RECT.	チ ッ ブ 抵 抗		01
R234	RD35410R	CARBON RESISTOR (CHIP)	10.0	63M	J RECT.	チ ッ ブ 抵 抗		01
R235	RD35410R	CARBON RESISTOR (CHIP)	10.0	63M	J RECT.	チ ッ ブ 抵 抗		01
R236	RD350001	CARBON RESISTOR (CHIP)	0	63M	J RECT.	チ ッ ブ 抵 抗		01
R238	RD355220	CARBON RESISTOR (CHIP)	220.0	63M	J RECT.	チ ッ ブ 抵 抗		01
R239	RD358100	CARBON RESISTOR (CHIP)	100.0K	63M	J RECT.	チ ッ ブ 抵 抗		01
R240	RD35747R	CARBON RESISTOR (CHIP)	47.0K	63M	J RECT.	チ ッ ブ 抵 抗		01
R241	RD357750	CARBON RESISTOR (CHIP)	75.0K	63M	J RECT.	チ ッ ブ 抵 抗		01
R242	RF456470	CARBON RESISTOR (CHIP)	4.7K	D	RECT.	チ ッ ブ 抵 抗		
R243	RF456680	CARBON RESISTOR (CHIP)	6.8K	D	RECT.	チ ッ ブ 抵 抗		
R244	RF457120	CARBON RESISTOR (CHIP)	12.0K	D	RECT.	チ ッ ブ 抵 抗		
R262	RD350001	CARBON RESISTOR (CHIP)	0	63M	J RECT.	チ ッ ブ 抵 抗		01
R263	RD357330	CARBON RESISTOR (CHIP)	33.0K	63M	J RECT.	チ ッ ブ 抵 抗		01
R264	RD35410R	CARBON RESISTOR (CHIP)	10.0	63M	J RECT.	チ ッ ブ 抵 抗		01
R265	RD35410R	CARBON RESISTOR (CHIP)	10.0	63M	J RECT.	チ ッ ブ 抵 抗		01
R266	RD350001	CARBON RESISTOR (CHIP)	0	63M	J RECT.	チ ッ ブ 抵 抗		01
R268	RD356330	CARBON RESISTOR (CHIP)	3.3K	63M	J RECT.	チ ッ ブ 抵 抗		01
R269	RD358100	CARBON RESISTOR (CHIP)	100.0K	63M	J RECT.	チ ッ ブ 抵 抗		01
R271	RD357750	CARBON RESISTOR (CHIP)	75.0K	63M	J RECT.	チ ッ ブ 抵 抗		01
R272	RF456470	CARBON RESISTOR (CHIP)	4.7K	D	RECT.	チ ッ ブ 抵 抗		
R273	RF457470	CARBON RESISTOR (CHIP)	47.0K	D	RECT.	チ ッ ブ 抵 抗		
R274	RF457330	CARBON RESISTOR (CHIP)	33.0K	D	RECT.	チ ッ ブ 抵 抗		01
R292	RD350001	CARBON RESISTOR (CHIP)	0	63M	J RECT.	チ ッ ブ 抵 抗		01
R293	RD357330	CARBON RESISTOR (CHIP)	33.0K	63M	J RECT.	チ ッ ブ 抵 抗		01
R294	RD35410R	CARBON RESISTOR (CHIP)	10.0	63M	J RECT.	チ ッ ブ 抵 抗		01
R295	RD35410R	CARBON RESISTOR (CHIP)	10.0	63M	J RECT.	チ ッ ブ 抵 抗		01
R296	RD350001	CARBON RESISTOR (CHIP)	0	63M	J RECT.	チ ッ ブ 抵 抗		01
R298	RD355220	CARBON RESISTOR (CHIP)	220.0	63M	J RECT.	チ ッ ブ 抵 抗		01
R299	RD358100	CARBON RESISTOR (CHIP)	100.0K	63M	J RECT.	チ ッ ブ 抵 抗		01
R301	RD357750	CARBON RESISTOR (CHIP)	75.0K	63M	J RECT.	チ ッ ブ 抵 抗		01
R302	RF456470	CARBON RESISTOR (CHIP)	4.7K	D	RECT.	チ ッ ブ 抵 抗		
R303	RF456680	CARBON RESISTOR (CHIP)	6.8K	D	RECT.	チ ッ ブ 抵 抗		
R304	RF457120	CARBON RESISTOR (CHIP)	12.0K	D	RECT.	チ ッ ブ 抵 抗		
R311	RF456470	CARBON RESISTOR (CHIP)	4.7K	D	RECT.	チ ッ ブ 抵 抗		
R312	RF457100	CARBON RESISTOR (CHIP)	10.0K	D	RECT.	チ ッ ブ 抵 抗		
R313	RF456470	CARBON RESISTOR (CHIP)	4.7K	D	RECT.	チ ッ ブ 抵 抗		
R315	RD356680	CARBON RESISTOR (CHIP)	6.8K	63M	J RECT.	チ ッ ブ 抵 抗		01
R316	RD358100	CARBON RESISTOR (CHIP)	100.0K	63M	J RECT.	チ ッ ブ 抵 抗		01
R317	RD356820	CARBON RESISTOR (CHIP)	8.2K	63M	J RECT.	チ ッ ブ 抵 抗		01
R318	RD358470	CARBON RESISTOR (CHIP)	470.0K	63M	J RECT.	チ ッ ブ 抵 抗		01
R319	RD356390	CARBON RESISTOR (CHIP)	3.9K	63M	J RECT.	チ ッ ブ 抵 抗		01

*: New Parts

RANK: Japan only

DCMS

REF NO.	PART NO.	DESCRIPTION		部	品	名	REMARKS	QTY	RANK
R341	RF456470	CARBON RESISTOR (CHIP)	4.7K D RECT.	チ	ッ	ブ 抵 抗			
R342	RF457180	CARBON RESISTOR (CHIP)	18.0K D RECT.	チ	ッ	ブ 抵 抗			01
R343	RF456680	CARBON RESISTOR (CHIP)	6.8K : D RECT.	チ	ッ	ブ 抵 抗			01
R345	RD357100	CARBON RESISTOR (CHIP)	10.0K 63M J RECT.	チ	ッ	ブ 抵 抗			01
R346	RD358100	CARBON RESISTOR (CHIP)	100.0K 63M J RECT.	チ	ッ	ブ 抵 抗			01
R347	RD356820	CARBON RESISTOR (CHIP)	8.2K 63M J RECT.	チ	ッ	ブ 抵 抗			01
R348	RD358470	CARBON RESISTOR (CHIP)	470.0K 63M J RECT.	チ	ッ	ブ 抵 抗			01
R349	RD356390	CARBON RESISTOR (CHIP)	3.9K 63M J RECT.	チ	ッ	ブ 抵 抗			01
R501	RF456470	CARBON RESISTOR (CHIP)	4.7K D RECT.	チ	ッ	ブ 抵 抗			
R502	RF457220	CARBON RESISTOR (CHIP)	22.0K D RECT.	チ	ッ	ブ 抵 抗			
R503	RD350001	CARBON RESISTOR (CHIP)	0 63M J RECT.	チ	ッ	ブ 抵 抗			01
R505	RD357270	CARBON RESISTOR (CHIP)	27.0K 63M J RECT.	チ	ッ	ブ 抵 抗			01
R507	RD358150	CARBON RESISTOR (CHIP)	150.0K 63M J RECT.	チ	ッ	ブ 抵 抗			01
R508	RD35410R	CARBON RESISTOR (CHIP)	10.0 63M J RECT.	チ	ッ	ブ 抵 抗			01
R531	RF456470	CARBON RESISTOR (CHIP)	4.7K D RECT.	チ	ッ	ブ 抵 抗			
R532	RF457470	CARBON RESISTOR (CHIP)	47.0K D RECT.	チ	ッ	ブ 抵 抗			
R533	RD457150	CARBON RESISTOR (CHIP)	15.0K D 1608	チ	ッ	ブ 抵 抗			01
R535	RD357270	CARBON RESISTOR (CHIP)	27.0K 63M J RECT.	チ	ッ	ブ 抵 抗			01
R536	RD357560	CARBON RESISTOR (CHIP)	56.0K 63M J RECT.	チ	ッ	ブ 抵 抗			01
R537	RD358220	CARBON RESISTOR (CHIP)	220.0K 63M J RECT.	チ	ッ	ブ 抵 抗			01
R538	RD35410R	CARBON RESISTOR (CHIP)	10.0 63M J RECT.	チ	ッ	ブ 抵 抗			01
R551	RD156330	CARBON RESISTOR (CHIP)	3.3K 1/4 J TP	チ	ッ	ブ 抵 抗			
R552	RD355100	CARBON RESISTOR (CHIP)	100.0 63M J RECT.	チ	ッ	ブ 抵 抗			01
R553	RD358100	CARBON RESISTOR (CHIP)	100.0K 63M J RECT.	チ	ッ	ブ 抵 抗			01
R554	RD355470	CARBON RESISTOR (CHIP)	470.0 63M J RECT.	チ	ッ	ブ 抵 抗			01
R555	RF456470	CARBON RESISTOR (CHIP)	4.7K D RECT.	チ	ッ	ブ 抵 抗			
R556	RF457100	CARBON RESISTOR (CHIP)	10.0K D RECT.	チ	ッ	ブ 抵 抗			
R557	RF457100	CARBON RESISTOR (CHIP)	10.0K D RECT.	チ	ッ	ブ 抵 抗			
R559	RD357270	CARBON RESISTOR (CHIP)	27.0K 63M J RECT.	チ	ッ	ブ 抵 抗			01
R561	RD358100	CARBON RESISTOR (CHIP)	100.0K 63M J RECT.	チ	ッ	ブ 抵 抗			01
R562	RD35410R	CARBON RESISTOR (CHIP)	10.0 63M J RECT.	チ	ッ	ブ 抵 抗			01
R563	RD156330	CARBON RESISTOR (CHIP)	3.3K 1/4 J TP	チ	ッ	ブ 抵 抗			
R581	RD15656R	CARBON RESISTOR (CHIP)	5.6K 1/4 J TP	チ	ッ	ブ 抵 抗			01
R582	RD15656R	CARBON RESISTOR (CHIP)	5.6K 1/4 J TP	チ	ッ	ブ 抵 抗			01
R583	RD355100	CARBON RESISTOR (CHIP)	100.0 63M J RECT.	チ	ッ	ブ 抵 抗			01
R584	RD358100	CARBON RESISTOR (CHIP)	100.0K 63M J RECT.	チ	ッ	ブ 抵 抗			01
R585	RD355470	CARBON RESISTOR (CHIP)	470.0 63M J RECT.	チ	ッ	ブ 抵 抗			01
R586	RF456470	CARBON RESISTOR (CHIP)	4.7K D RECT.	チ	ッ	ブ 抵 抗			
R587	RF457470	CARBON RESISTOR (CHIP)	47.0K D RECT.	チ	ッ	ブ 抵 抗			
R588	RF457150	CARBON RESISTOR (CHIP)	15.0K D 1608	チ	ッ	ブ 抵 抗			01
R590	RD357270	CARBON RESISTOR (CHIP)	27.0K 63M J RECT.	チ	ッ	ブ 抵 抗			01
R591	RD357560	CARBON RESISTOR (CHIP)	56.0K 63M J RECT.	チ	ッ	ブ 抵 抗			01
R592	RD358220	CARBON RESISTOR (CHIP)	220.0K 63M J RECT.	チ	ッ	ブ 抵 抗			01
R593	RD35410R	CARBON RESISTOR (CHIP)	10.0 63M J RECT.	チ	ッ	ブ 抵 抗			01
R611	RD15656R	CARBON RESISTOR (CHIP)	5.6K 1/4 J TP	チ	ッ	ブ 抵 抗			01
R612	RD15656R	CARBON RESISTOR (CHIP)	5.6K 1/4 J TP	チ	ッ	ブ 抵 抗			01
R613	RD355100	CARBON RESISTOR (CHIP)	100.0 63M J RECT.	チ	ッ	ブ 抵 抗			01
R614	RD358100	CARBON RESISTOR (CHIP)	100.0K 63M J RECT.	チ	ッ	ブ 抵 抗			01
R615	RD355470	CARBON RESISTOR (CHIP)	470.0 63M J RECT.	チ	ッ	ブ 抵 抗			01
R616	RF456470	CARBON RESISTOR (CHIP)	4.7K D RECT.	チ	ッ	ブ 抵 抗			
R617	RF457470	CARBON RESISTOR (CHIP)	47.0K D RECT.	チ	ッ	ブ 抵 抗			
R618	RF457150	CARBON RESISTOR (CHIP)	15.0K D 1608	チ	ッ	ブ 抵 抗			01
R620	RD357270	CARBON RESISTOR (CHIP)	27.0K 63M J RECT.	チ	ッ	ブ 抵 抗			01
R621	RD357560	CARBON RESISTOR (CHIP)	56.0K 63M J RECT.	チ	ッ	ブ 抵 抗			01
R622	RD358220	CARBON RESISTOR (CHIP)	220.0K 63M J RECT.	チ	ッ	ブ 抵 抗			01
R623	RD35410R	CARBON RESISTOR (CHIP)	10.0 63M J RECT.	チ	ッ	ブ 抵 抗			01
R641	RD357560	CARBON RESISTOR (CHIP)	56.0K 63M J RECT.	チ	ッ	ブ 抵 抗			01
R642	RD356390	CARBON RESISTOR (CHIP)	3.9K 63M J RECT.	チ	ッ	ブ 抵 抗			01
R643	RF456150	CARBON RESISTOR (CHIP)	1.5K D RECT.	チ	ッ	ブ 抵 抗			
R644	RF457560	CARBON RESISTOR (CHIP)	56.0K D RECT.	チ	ッ	ブ 抵 抗			01
R646	RD357680	CARBON RESISTOR (CHIP)	68.0K 63M J RECT.	チ	ッ	ブ 抵 抗			01
R647	RD357150	CARBON RESISTOR (CHIP)	15.0K 63M J RECT.	チ	ッ	ブ 抵 抗			01
* R648	WW770000	CARBON RESISTOR (CHIP)	2.2K 1W J 5025	チ	ッ	ブ 抵 抗			
* R649	WW770000	CARBON RESISTOR (CHIP)	2.2K 1W J 5025	チ	ッ	ブ 抵 抗			
R671	RD357100	CARBON RESISTOR (CHIP)	10.0K 63M J RECT.	チ	ッ	ブ 抵 抗			01
R672	RD35747R	CARBON RESISTOR (CHIP)	47.0K 63M J RECT.	チ	ッ	ブ 抵 抗			01
R673	RD358100	CARBON RESISTOR (CHIP)	100.0K 63M J RECT.	チ	ッ	ブ 抵 抗			01
R674	RD357100	CARBON RESISTOR (CHIP)	10.0K 63M J RECT.	チ	ッ	ブ 抵 抗			01
R675	RD35747R	CARBON RESISTOR (CHIP)	47.0K 63M J RECT.	チ	ッ	ブ 抵 抗			01
R701	RD357100	CARBON RESISTOR (CHIP)	10.0K 63M J RECT.	チ	ッ	ブ 抵 抗			01

*: New Parts

RANK: Japan only

DCMS and DNTU

REF NO.	PART NO.	DESCRIPTION		部	品	名	REMARKS	QTY	RANK
R702	RD357100	CARBON RESISTOR (CHIP)	10.0K 63M J RECT.	チ	ッ	ブ 抵 抗			01
R703	RD35747R	CARBON RESISTOR (CHIP)	47.0K 63M J RECT.	チ	ッ	ブ 抵 抗			01
R704	RD357100	CARBON RESISTOR (CHIP)	10.0K 63M J RECT.	チ	ッ	ブ 抵 抗			01
R705	RD35747R	CARBON RESISTOR (CHIP)	47.0K 63M J RECT.	チ	ッ	ブ 抵 抗			01
R731	RD35747R	CARBON RESISTOR (CHIP)	47.0K 63M J RECT.	チ	ッ	ブ 抵 抗			01
R761	RD15615R	CARBON RESISTOR (CHIP)	1.5K 1/4 J TP	チ	ッ	ブ 抵 抗			01
R764	RD355100	CARBON RESISTOR (CHIP)	100.0 63M J RECT.	チ	ッ	ブ 抵 抗			01
R801	RD15615R	CARBON RESISTOR (CHIP)	1.5K 1/4 J TP	チ	ッ	ブ 抵 抗			01
R804	RD355100	CARBON RESISTOR (CHIP)	100.0 63M J RECT.	チ	ッ	ブ 抵 抗			01
R841	RD15615R	CARBON RESISTOR (CHIP)	1.5K 1/4 J TP	チ	ッ	ブ 抵 抗			01
R842	RF456470	CARBON RESISTOR (CHIP)	4.7K D RECT.	チ	ッ	ブ 抵 抗			01
R843	RF456470	CARBON RESISTOR (CHIP)	4.7K D RECT.	チ	ッ	ブ 抵 抗			01
R844	RD356470	CARBON RESISTOR (CHIP)	4.7K 63M J RECT.	チ	ッ	ブ 抵 抗			01
R845	RD358470	CARBON RESISTOR (CHIP)	470.0K 63M J RECT.	チ	ッ	ブ 抵 抗			01
R846	RF456220	CARBON RESISTOR (CHIP)	2.2K D RECT.	チ	ッ	ブ 抵 抗			01
R847	RF456220	CARBON RESISTOR (CHIP)	2.2K D RECT.	チ	ッ	ブ 抵 抗			01
R848	RD356680	CARBON RESISTOR (CHIP)	6.8K 63M J RECT.	チ	ッ	ブ 抵 抗			01
R849	RD358180	CARBON RESISTOR (CHIP)	180.0K 63M J RECT.	チ	ッ	ブ 抵 抗			01
R850	RF456220	CARBON RESISTOR (CHIP)	2.2K D RECT.	チ	ッ	ブ 抵 抗			01
R851	RF457270	CARBON RESISTOR (CHIP)	27.0K D RECT.	チ	ッ	ブ 抵 抗			01
R852	RD358220	CARBON RESISTOR (CHIP)	220.0K 63M J RECT.	チ	ッ	ブ 抵 抗			01
R854	RD356220	CARBON RESISTOR (CHIP)	2.2K 63M J RECT.	チ	ッ	ブ 抵 抗			01
R855	RD357150	CARBON RESISTOR (CHIP)	15.0K 63M J RECT.	チ	ッ	ブ 抵 抗			01
R856	RD358100	CARBON RESISTOR (CHIP)	100.0K 63M J RECT.	チ	ッ	ブ 抵 抗			01
R857	RD356820	CARBON RESISTOR (CHIP)	8.2K 63M J RECT.	チ	ッ	ブ 抵 抗			01
R858	RD358470	CARBON RESISTOR (CHIP)	470.0K 63M J RECT.	チ	ッ	ブ 抵 抗			01
R860	RD356390	CARBON RESISTOR (CHIP)	3.9K 63M J RECT.	チ	ッ	ブ 抵 抗			01
R861	RD15615R	CARBON RESISTOR (CHIP)	1.5K 1/4 J TP	チ	ッ	ブ 抵 抗			01
RA401	WH207000	RESISTOR ARRAY	100 X 4	抵	抗	ア			01
TH081	VV45760R	PROTECTOR SWITCH	RUEF090 0.90A 30V	ポ	リ	ス イ ッ チ			02
TH131	VV45760R	PROTECTOR SWITCH	RUEF090 0.90A 30V	ポ	リ	ス イ ッ チ			02
TH151	VV45760R	PROTECTOR SWITCH	RUEF090 0.90A 30V	ポ	リ	ス イ ッ チ			02
TH311	VU847300	PROTECTOR SWITCH	RUEF185 1.85A 30V	ポ	リ	ス イ ッ チ			03
TH641	VV21610R	PROTECTOR SWITCH	RXEF050 0.50A 72V	ポ	リ	ス イ ッ チ			03
TH731	VV21610R	PROTECTOR SWITCH	RXEF050 0.50A 72V	ポ	リ	ス イ ッ チ			03
TH761	VZ42850R	PROTECTOR SWITCH	MINI SMDC020F-2	ポ	リ	ス イ ッ チ			02
TH801	VZ42850R	PROTECTOR SWITCH	MINI SMDC020F-2	ポ	リ	ス イ ッ チ			02
TH841	VU847300	PROTECTOR SWITCH	RUEF185 1.85A 30V	ポ	リ	ス イ ッ チ			03
TR001	WC529500	TRANSISTOR	KTA1504S-Y,GR-RTK	ト	ラ	ン ジ ス タ			01
TR761	VU38430R	TRANSISTOR	2SD1733 TL Q P,Q,R	ト	ラ	ン ジ ス タ	2 S D		01
TR801	VU38430R	TRANSISTOR	2SD1733 TL Q P,Q,R	ト	ラ	ン ジ ス タ	2 S D		01
W001	--	CONNECTOR ASSEMBLY	#28 SAN&PH 4P 100L	束	線	# 2 8	(VQ47090)		
W401	--	CONNECTOR ASSEMBLY	#28 SAN&PH 7P 100L	束	線	# 2 8	(WA08590)		
	--	CIRCUIT BOARD	DNTU	D	N	T	U シ ー ト	(WZ20390)(YD593C0)	
*	ZE930500	DNTU SHEET ASSEMBLY CS	DNTU CS	D	N	T	U シ ー ト A s s ' y C S	without DANTE MODULE (YD593C0)	
*	WZ815700	DANTE MODULE 64CH	J U,H	ダ	ン	テ	モ ジ ュ ー ル 6 4 C H		
	WJ350700	LED SPACER	LDS-45B L=4.5	L	E	D	ス ペ ー サ ー		
JK501	WH237300	MODULAR CONNECTOR	8P LU1T041A-LF	モ	ジ	ュ	ラ ー コ ネ ク タ ー	NET WORK	4 01
JK502	WY935900	CONNECTOR	8P NE8FDH-C5E	イ	ー	サ	コ	ン	PRIMARY
JK503	WY935900	CONNECTOR	8P NE8FDH-C5E	イ	ー	サ	コ	ン	SECONDARY
LD501	V5621900	LED ORANGE	SLR-332DU3F	L	E	D		PRIM. 1G	01
LD502	V5616900	LED GREEN	SLR-332MG3F	L	E	D		PRIM. LINK/ACT	01
LD503	V5621900	LED ORANGE	SLR-332DU3F	L	E	D		SEC. 1G	01
LD504	V5616900	LED GREEN	SLR-332MG3F	L	E	D		SEC. LINK/ACT	01
C001	US635100	CERAMIC CAPACITOR (CHIP)	0.100 16V Z RECT.	チ	ッ	ブ セ ラ (F)			01
-031	US635100	CERAMIC CAPACITOR (CHIP)	0.100 16V Z RECT.	チ	ッ	ブ セ ラ (F)			01
C101	US635100	CERAMIC CAPACITOR (CHIP)	0.100 16V Z RECT.	チ	ッ	ブ セ ラ (F)			01
C104	US635100	CERAMIC CAPACITOR (CHIP)	0.100 16V Z RECT.	チ	ッ	ブ セ ラ (F)			01
C106	US635100	CERAMIC CAPACITOR (CHIP)	0.100 16V Z RECT.	チ	ッ	ブ セ ラ (F)			01
-119	US635100	CERAMIC CAPACITOR (CHIP)	0.100 16V Z RECT.	チ	ッ	ブ セ ラ (F)			01
C121	US635100	CERAMIC CAPACITOR (CHIP)	0.100 16V Z RECT.	チ	ッ	ブ セ ラ (F)			01
-133	US635100	CERAMIC CAPACITOR (CHIP)	0.100 16V Z RECT.	チ	ッ	ブ セ ラ (F)			01
C134	WD758300	CERAMIC CAPACITOR (CHIP)	10U 10V K RECT.	チ	ッ	ブ セ ラ			01
C135	WD758300	CERAMIC CAPACITOR (CHIP)	10U 10V K RECT.	チ	ッ	ブ セ ラ			01
C136	US635100	CERAMIC CAPACITOR (CHIP)	0.100 16V Z RECT.	チ	ッ	ブ セ ラ (F)			01
C137	US061120	CERAMIC CAPACITOR (CHIP)	12P 50V J RECT.	チ	ッ	ブ セ ラ (C H)			01
C138	US635100	CERAMIC CAPACITOR (CHIP)	0.100 16V Z RECT.	チ	ッ	ブ セ ラ (F)			01
C139	US061120	CERAMIC CAPACITOR (CHIP)	12P 50V J RECT.	チ	ッ	ブ セ ラ (C H)			01
C141	WD758300	CERAMIC CAPACITOR (CHIP)	10U 10V K RECT.	チ	ッ	ブ セ ラ			01

*: New Parts

RANK: Japan only

DNTU

REF NO.	PART NO.	DESCRIPTION	部 品 名	REMARKS	QTY	RANK
C202	US635100	CERAMIC CAPACITOR (CHIP)	0.100 16V Z RECT.	チ ッ プ セ ラ (F)		01
-209	US635100	CERAMIC CAPACITOR (CHIP)	0.100 16V Z RECT.	チ ッ プ セ ラ (F)		01
C210	UF03810R	ELECTROLYTIC CAP. (CHIP)	100 16V	チ ッ プ ケ ミ コ ン		01
C211	US635100	CERAMIC CAPACITOR (CHIP)	0.100 16V Z RECT.	チ ッ プ セ ラ (F)		01
-240	US635100	CERAMIC CAPACITOR (CHIP)	0.100 16V Z RECT.	チ ッ プ セ ラ (F)		01
C241	WD758300	CERAMIC CAPACITOR (CHIP)	10U 10V K RECT.	チ ッ プ セ ラ		01
C242	WD758300	CERAMIC CAPACITOR (CHIP)	10U 10V K RECT.	チ ッ プ セ ラ		01
C244	US635100	CERAMIC CAPACITOR (CHIP)	0.100 16V Z RECT.	チ ッ プ セ ラ (F)		01
-247	US635100	CERAMIC CAPACITOR (CHIP)	0.100 16V Z RECT.	チ ッ プ セ ラ (F)		01
C249	US635100	CERAMIC CAPACITOR (CHIP)	0.100 16V Z RECT.	チ ッ プ セ ラ (F)		01
-258	US635100	CERAMIC CAPACITOR (CHIP)	0.100 16V Z RECT.	チ ッ プ セ ラ (F)		01
C303	WD758300	CERAMIC CAPACITOR (CHIP)	10U 10V K RECT.	チ ッ プ セ ラ		01
C304	WD758300	CERAMIC CAPACITOR (CHIP)	10U 10V K RECT.	チ ッ プ セ ラ		01
C305	US635100	CERAMIC CAPACITOR (CHIP)	0.100 16V Z RECT.	チ ッ プ セ ラ (F)		01
-307	US635100	CERAMIC CAPACITOR (CHIP)	0.100 16V Z RECT.	チ ッ プ セ ラ (F)		01
C308	WD758300	CERAMIC CAPACITOR (CHIP)	10U 10V K RECT.	チ ッ プ セ ラ		01
C311	US635100	CERAMIC CAPACITOR (CHIP)	0.100 16V Z RECT.	チ ッ プ セ ラ (F)		01
C312	US635100	CERAMIC CAPACITOR (CHIP)	0.100 16V Z RECT.	チ ッ プ セ ラ (F)		01
C314	US635100	CERAMIC CAPACITOR (CHIP)	0.100 16V Z RECT.	チ ッ プ セ ラ (F)		01
C317	US635100	CERAMIC CAPACITOR (CHIP)	0.100 16V Z RECT.	チ ッ プ セ ラ (F)		01
-320	US635100	CERAMIC CAPACITOR (CHIP)	0.100 16V Z RECT.	チ ッ プ セ ラ (F)		01
C322	US635100	CERAMIC CAPACITOR (CHIP)	0.100 16V Z RECT.	チ ッ プ セ ラ (F)		01
-324	US635100	CERAMIC CAPACITOR (CHIP)	0.100 16V Z RECT.	チ ッ プ セ ラ (F)		01
C327	US635100	CERAMIC CAPACITOR (CHIP)	0.100 16V Z RECT.	チ ッ プ セ ラ (F)		01
-329	US635100	CERAMIC CAPACITOR (CHIP)	0.100 16V Z RECT.	チ ッ プ セ ラ (F)		01
C501	WD758300	CERAMIC CAPACITOR (CHIP)	10U 10V K RECT.	チ ッ プ セ ラ		01
C502	WD758300	CERAMIC CAPACITOR (CHIP)	10U 10V K RECT.	チ ッ プ セ ラ		01
C503	US635100	CERAMIC CAPACITOR (CHIP)	0.100 16V Z RECT.	チ ッ プ セ ラ (F)		01
C504	US635100	CERAMIC CAPACITOR (CHIP)	0.100 16V Z RECT.	チ ッ プ セ ラ (F)		01
C505	US061220	CERAMIC CAPACITOR (CHIP)	22P 50V J RECT.	チ ッ プ セ ラ (C H)		01
C506	WD758300	CERAMIC CAPACITOR (CHIP)	10U 10V K RECT.	チ ッ プ セ ラ		01
C507	WD758300	CERAMIC CAPACITOR (CHIP)	10U 10V K RECT.	チ ッ プ セ ラ		01
C508	WJ344400	CERAMIC CAPACITOR (CHIP)	22 6.3V M RECT.	チ ッ プ セ ラ		01
-511	WJ344400	CERAMIC CAPACITOR (CHIP)	22 6.3V M RECT.	チ ッ プ セ ラ		01
C512	US635100	CERAMIC CAPACITOR (CHIP)	0.100 16V Z RECT.	チ ッ プ セ ラ (F)		01
C513	WJ344400	CERAMIC CAPACITOR (CHIP)	22 6.3V M RECT.	チ ッ プ セ ラ		01
C514	WJ344400	CERAMIC CAPACITOR (CHIP)	22 6.3V M RECT.	チ ッ プ セ ラ		01
C515	US635100	CERAMIC CAPACITOR (CHIP)	0.100 16V Z RECT.	チ ッ プ セ ラ (F)		01
-517	US635100	CERAMIC CAPACITOR (CHIP)	0.100 16V Z RECT.	チ ッ プ セ ラ (F)		01
C518	WD758300	CERAMIC CAPACITOR (CHIP)	10U 10V K RECT.	チ ッ プ セ ラ		01
C519	US635100	CERAMIC CAPACITOR (CHIP)	0.100 16V Z RECT.	チ ッ プ セ ラ (F)		01
C520	WD758300	CERAMIC CAPACITOR (CHIP)	10U 10V K RECT.	チ ッ プ セ ラ		01
C521	WD758300	CERAMIC CAPACITOR (CHIP)	10U 10V K RECT.	チ ッ プ セ ラ		01
C522	US635100	CERAMIC CAPACITOR (CHIP)	0.100 16V Z RECT.	チ ッ プ セ ラ (F)		01
-524	US635100	CERAMIC CAPACITOR (CHIP)	0.100 16V Z RECT.	チ ッ プ セ ラ (F)		01
C525	WD758300	CERAMIC CAPACITOR (CHIP)	10U 10V K RECT.	チ ッ プ セ ラ		01
C526	US635100	CERAMIC CAPACITOR (CHIP)	0.100 16V Z RECT.	チ ッ プ セ ラ (F)		01
C527	WD758300	CERAMIC CAPACITOR (CHIP)	10U 10V K RECT.	チ ッ プ セ ラ		01
C528	WD758300	CERAMIC CAPACITOR (CHIP)	10U 10V K RECT.	チ ッ プ セ ラ		01
C529	US635100	CERAMIC CAPACITOR (CHIP)	0.100 16V Z RECT.	チ ッ プ セ ラ (F)		01
-531	US635100	CERAMIC CAPACITOR (CHIP)	0.100 16V Z RECT.	チ ッ プ セ ラ (F)		01
C532	WG251600	CERAMIC CAPACITOR (CHIP)	4.7 6.3V K RECT.	チ ッ プ セ ラ		01
C533	US635100	CERAMIC CAPACITOR (CHIP)	0.100 16V Z RECT.	チ ッ プ セ ラ (F)		01
C534	WJ932500	CERAMIC CAPACITOR (CHIP)	1.0 6.3V M KAKUTE	チ ッ プ セ ラ コ ン		01
C535	WG251600	CERAMIC CAPACITOR (CHIP)	4.7 6.3V K RECT.	チ ッ プ セ ラ		01
C536	US635100	CERAMIC CAPACITOR (CHIP)	0.100 16V Z RECT.	チ ッ プ セ ラ (F)		01
-538	US635100	CERAMIC CAPACITOR (CHIP)	0.100 16V Z RECT.	チ ッ プ セ ラ (F)		01
C539	WG251600	CERAMIC CAPACITOR (CHIP)	4.7 6.3V K RECT.	チ ッ プ セ ラ		01
C540	US635100	CERAMIC CAPACITOR (CHIP)	0.100 16V Z RECT.	チ ッ プ セ ラ (F)		01
C541	WJ932500	CERAMIC CAPACITOR (CHIP)	1.0 6.3V M KAKUTE	チ ッ プ セ ラ コ ン		01
C542	WG251600	CERAMIC CAPACITOR (CHIP)	4.7 6.3V K RECT.	チ ッ プ セ ラ		01
C543	US635100	CERAMIC CAPACITOR (CHIP)	0.100 16V Z RECT.	チ ッ プ セ ラ (F)		01
C544	US635100	CERAMIC CAPACITOR (CHIP)	0.100 16V Z RECT.	チ ッ プ セ ラ (F)		01
C545	WG251600	CERAMIC CAPACITOR (CHIP)	4.7 6.3V K RECT.	チ ッ プ セ ラ		01
C546	US634100	CERAMIC CAPACITOR (CHIP)	0.010 16V K RECT.	チ ッ プ セ ラ (B)		01
C547	US635100	CERAMIC CAPACITOR (CHIP)	0.100 16V Z RECT.	チ ッ プ セ ラ (F)		01
C548	WG251600	CERAMIC CAPACITOR (CHIP)	4.7 6.3V K RECT.	チ ッ プ セ ラ		01
C549	US635100	CERAMIC CAPACITOR (CHIP)	0.100 16V Z RECT.	チ ッ プ セ ラ (F)		01
C550	US635100	CERAMIC CAPACITOR (CHIP)	0.100 16V Z RECT.	チ ッ プ セ ラ (F)		01
C551	WJ932500	CERAMIC CAPACITOR (CHIP)	1.0 6.3V M KAKUTE	チ ッ プ セ ラ コ ン		01

*: New Parts

RANK: Japan only

DNTU

REF NO.	PART NO.	DESCRIPTION	部 品 名	REMARKS	QTY	RANK
C552	US634100	CERAMIC CAPACITOR (CHIP)	0.010 16V K RECT.	チップセラ (B)		01
C553	US635100	CERAMIC CAPACITOR (CHIP)	0.100 16V Z RECT.	チップセラ (F)		01
C554	WG251600	CERAMIC CAPACITOR (CHIP)	4.7 6.3V K RECT.	チップセラ		01
C555	V7658000	MONOLITHIC CERAMIC CAP(CHIP)	1000P 2KV K RECT.	チップ積層セラコン		01
C556	V7658000	MONOLITHIC CERAMIC CAP(CHIP)	1000P 2KV K RECT.	チップ積層セラコン		01
C557	US635100	CERAMIC CAPACITOR (CHIP)	0.100 16V Z RECT.	チップセラ (F)		01
C558	WJ932500	CERAMIC CAPACITOR (CHIP)	1.0 6.3V M KAKUTE	チップセラコン		01
C559	US635100	CERAMIC CAPACITOR (CHIP)	0.100 16V Z RECT.	チップセラ (F)		01
C560	WJ932500	CERAMIC CAPACITOR (CHIP)	1.0 6.3V M KAKUTE	チップセラコン		01
C561	US635100	CERAMIC CAPACITOR (CHIP)	0.100 16V Z RECT.	チップセラ (F)		01
-563	US635100	CERAMIC CAPACITOR (CHIP)	0.100 16V Z RECT.	チップセラ (F)		01
C564	WJ932500	CERAMIC CAPACITOR (CHIP)	1.0 6.3V M KAKUTE	チップセラコン		01
C565	US635100	CERAMIC CAPACITOR (CHIP)	0.100 16V Z RECT.	チップセラ (F)		01
C566	US635100	CERAMIC CAPACITOR (CHIP)	0.100 16V Z RECT.	チップセラ (F)		01
C567	US634100	CERAMIC CAPACITOR (CHIP)	0.010 16V K RECT.	チップセラ (B)		01
C568	US635100	CERAMIC CAPACITOR (CHIP)	0.100 16V Z RECT.	チップセラ (F)		01
C569	US635100	CERAMIC CAPACITOR (CHIP)	0.100 16V Z RECT.	チップセラ (F)		01
C570	US634100	CERAMIC CAPACITOR (CHIP)	0.010 16V K RECT.	チップセラ (B)		01
C571	US635100	CERAMIC CAPACITOR (CHIP)	0.100 16V Z RECT.	チップセラ (F)		01
-581	US635100	CERAMIC CAPACITOR (CHIP)	0.100 16V Z RECT.	チップセラ (F)		01
C584	US635100	CERAMIC CAPACITOR (CHIP)	0.100 16V Z RECT.	チップセラ (F)		01
-587	US635100	CERAMIC CAPACITOR (CHIP)	0.100 16V Z RECT.	チップセラ (F)		01
C588	WD758300	CERAMIC CAPACITOR (CHIP)	10U 10V K RECT.	チップセラ		01
C589	US663100	CERAMIC CAPACITOR (CHIP)	1000P 50V K RECT.	チップセラ (B)		01
C590	US663100	CERAMIC CAPACITOR (CHIP)	1000P 50V K RECT.	チップセラ (B)		01
C591	WQ841000	MONOLITHIC CERAMIC CAP(CHIP)	100.000 6.3V M KAK	チップ積層セラコン		01
C592	US061220	CERAMIC CAPACITOR (CHIP)	22P 50V J RECT.	チップセラ (C H)		01
C593	US635100	CERAMIC CAPACITOR (CHIP)	0.100 16V Z RECT.	チップセラ (F)		01
-595	US635100	CERAMIC CAPACITOR (CHIP)	0.100 16V Z RECT.	チップセラ (F)		01
CN103	WC195200	FFC/FPC CONNECTOR	52808 14P TE	FFC/FPCコネクタ		01
CN201	VT388500	CONNECTOR	PH 4P TE	ベース付ポスト		01
CN202	VT388500	CONNECTOR	PH 4P TE	ベース付ポスト		01
* CN301	WC232900	CONNECTOR	SH 06P TE	コネクタベースポスト		01
CN502	WE155000	MINI PCI SOCKET	440360 124P SE	ミニPCIソケット		08
CN503	WC199000	FMN CONNECTOR	FMN 40P TE	FMNコネクタ		01
CN504	WC199000	FMN CONNECTOR	FMN 40P TE	FMNコネクタ		01
D241	VS9760R	DIODE (CHIP)	RB160L-40 TE25 TP	チップダイオード		01
DA501	WE97260R	ZENER DIODE	HZM6.2ZMFATR-E	ツェナーダイオード		01
EM104	ZC805200	EMI FILTER (CHIP)	31PT222Z1E9L TP	チップエミフィル		01
EM301	ZC805200	EMI FILTER (CHIP)	31PT222Z1E9L TP	チップエミフィル		01
-304	ZC805200	EMI FILTER (CHIP)	31PT222Z1E9L TP	チップエミフィル		01
EM501	ZC805200	EMI FILTER (CHIP)	31PT222Z1E9L TP	チップエミフィル		01
EM502	ZC805200	EMI FILTER (CHIP)	31PT222Z1E9L TP	チップエミフィル		01
IC001	--	IC	R8A02032BG	I C	CPU (SWX02) (X8810A0)	09
IC003	XY806A0R	IC	TC7WH14FU(TE12L,F)	I C	INVERTER	02
IC012	X3516A0R	IC	SN74LV11APWR	I C	AND	01
IC104	X3848A0R	IC	S-80130ANMC-JCPT2G	I C	SYSTEM RESET	01
IC105	XU797B01	IC	TC74VHC245FT	I C	TRANSCEIVER	02
-109	XU797B01	IC	TC74VHC245FT	I C	TRANSCEIVER	02
IC110	X5665C00	IC	M12L64164A-7TG2M	I C	SDRAM 64M	03
IC111	XU797B01	IC	TC74VHC245FT	I C	TRANSCEIVER	02
-114	XU797B01	IC	TC74VHC245FT	I C	TRANSCEIVER	02
IC115	--	IC	MX29LV320EBTI-70G	I C	FLASH MEMORY 32M (YE590A0)	02
IC116	XU797B01	IC	TC74VHC245FT	I C	TRANSCEIVER	02
IC117	XU797B01	IC	TC74VHC245FT	I C	TRANSCEIVER	02
IC118	X7029A00	IC	DM9000AEP	I C	LAN CONTROLLER	09
IC203	X5965A0R	IC	SN74LV04APWR	I C	INVERTER	01
IC204	XR680A00	IC	TC7SH08FU(TE85L,JF)	I C	AND	01
IC204	X5896A00	IC	SN74LVC1G08DCKR	I C		
IC204	X5896B00	IC	SN74LVC1G08DCKR	I C		
IC204	YA350A00	IC	74LVC1G08GW	I C		
IC204	YE491A00	IC	SN74LVC1G08DCK3	I C		
IC241	X9292A00	IC	R1172H121D-T1-F	I C	REGULATOR +1.2V	01
IC302	YE064B00	IC	LCMXO2280C-3TN144C	I C	CPLD	
* IC501	YD878A00	IC	LTC3419EDD#TRPBF	I C	DC-DC CONVERTER	
IC502	XY806A0R	IC	TC7WH14FU(TE12L,F)	I C	INVERTER	02
* IC503	YD688A00	IC	88E6350R	I C	GIGABIT ETHERNET SWITCHING HUB	
IC504	XU797B01	IC	TC74VHC245FT	I C	TRANSCEIVER	02
-506	XU797B01	IC	TC74VHC245FT	I C	TRANSCEIVER	02
IC507	X7285A00	IC	TC7SH00FU	I C	NAND GATE	01

*: New Parts

RANK: Japan only

DNTU

REF NO.	PART NO.	DESCRIPTION		部 品 名	REMARKS	QTY	RANK
L501	WR355200	COMMON MODE COIL	ACM2012-900-2P-T00	コモンモード コイル			01
-508	WR355200	COMMON MODE COIL	ACM2012-900-2P-T00	コモンモード コイル			01
L520	WG353800	COIL	3.3uH CDRH2D18/LD-3R3NC	コイル 3.3 U			02
L521	WG353800	COIL	3.3uH CDRH2D18/LD-3R3NC	コイル 3.3 U			02
R1	RD454220	CARBON RESISTOR (CHIP)	22.0 63M J RECT.	チ ッ プ 抵 抗			01
R101	RD457100	CARBON RESISTOR (CHIP)	10.0K 63M J RECT.	チ ッ プ 抵 抗			01
R102	RD454220	CARBON RESISTOR (CHIP)	22.0 63M J RECT.	チ ッ プ 抵 抗			01
-109	RD454220	CARBON RESISTOR (CHIP)	22.0 63M J RECT.	チ ッ プ 抵 抗			01
R110	RD457100	CARBON RESISTOR (CHIP)	10.0K 63M J RECT.	チ ッ プ 抵 抗			01
R112	RD454220	CARBON RESISTOR (CHIP)	22.0 63M J RECT.	チ ッ プ 抵 抗			01
R113	RD454220	CARBON RESISTOR (CHIP)	22.0 63M J RECT.	チ ッ プ 抵 抗			01
R116	RD454220	CARBON RESISTOR (CHIP)	22.0 63M J RECT.	チ ッ プ 抵 抗			01
-120	RD454220	CARBON RESISTOR (CHIP)	22.0 63M J RECT.	チ ッ プ 抵 抗			01
R121	RD456470	CARBON RESISTOR (CHIP)	4.7K 63M J RECT.	チ ッ プ 抵 抗			01
R122	RD456470	CARBON RESISTOR (CHIP)	4.7K 63M J RECT.	チ ッ プ 抵 抗			01
R124	RD457100	CARBON RESISTOR (CHIP)	10.0K 63M J RECT.	チ ッ プ 抵 抗			01
R126	RD456100	CARBON RESISTOR (CHIP)	1.0K 63M J RECT.	チ ッ プ 抵 抗			01
R127	RD456100	CARBON RESISTOR (CHIP)	1.0K 63M J RECT.	チ ッ プ 抵 抗			01
R128	RD456470	CARBON RESISTOR (CHIP)	4.7K 63M J RECT.	チ ッ プ 抵 抗			01
R129	RD456470	CARBON RESISTOR (CHIP)	4.7K 63M J RECT.	チ ッ プ 抵 抗			01
R136	RD456470	CARBON RESISTOR (CHIP)	4.7K 63M J RECT.	チ ッ プ 抵 抗			01
R137	RD456220	CARBON RESISTOR (CHIP)	2.2K 63M J RECT.	チ ッ プ 抵 抗			01
R139	RD454220	CARBON RESISTOR (CHIP)	22.0 63M J RECT.	チ ッ プ 抵 抗			01
R140	RD456470	CARBON RESISTOR (CHIP)	4.7K 63M J RECT.	チ ッ プ 抵 抗			01
R141	RD45000R	CARBON RESISTOR (CHIP)	0.00 63M J RECT.	チ ッ プ 抵 抗			01
R147	RD454220	CARBON RESISTOR (CHIP)	22.0 63M J RECT.	チ ッ プ 抵 抗			01
R153	RD454220	CARBON RESISTOR (CHIP)	22.0 63M J RECT.	チ ッ プ 抵 抗			01
R155	RD454220	CARBON RESISTOR (CHIP)	22.0 63M J RECT.	チ ッ プ 抵 抗			01
-157	RD454220	CARBON RESISTOR (CHIP)	22.0 63M J RECT.	チ ッ プ 抵 抗			01
R158	RD457100	CARBON RESISTOR (CHIP)	10.0K 63M J RECT.	チ ッ プ 抵 抗			01
R159	RD454220	CARBON RESISTOR (CHIP)	22.0 63M J RECT.	チ ッ プ 抵 抗			01
-162	RD454220	CARBON RESISTOR (CHIP)	22.0 63M J RECT.	チ ッ プ 抵 抗			01
R163	RD454470	CARBON RESISTOR (CHIP)	47.0 63M J RECT.	チ ッ プ 抵 抗			01
R164	RD454220	CARBON RESISTOR (CHIP)	22.0 63M J RECT.	チ ッ プ 抵 抗			01
-166	RD454220	CARBON RESISTOR (CHIP)	22.0 63M J RECT.	チ ッ プ 抵 抗			01
R167	RA155100	METAL FILM RESISTOR (CHIP)	100.0 63M D RECT.	チ ッ プ 金 被 抵 抗			01
R168	RA155100	METAL FILM RESISTOR (CHIP)	100.0 63M D RECT.	チ ッ プ 金 被 抵 抗			01
R169	RD457100	CARBON RESISTOR (CHIP)	10.0K 63M J RECT.	チ ッ プ 抵 抗			01
R170	RA155100	METAL FILM RESISTOR (CHIP)	100.0 63M D RECT.	チ ッ プ 金 被 抵 抗			01
-175	RA155100	METAL FILM RESISTOR (CHIP)	100.0 63M D RECT.	チ ッ プ 金 被 抵 抗			01
R176	RD454220	CARBON RESISTOR (CHIP)	22.0 63M J RECT.	チ ッ プ 抵 抗			01
R177	RA156680	METAL FILM RESISTOR (CHIP)	6.8K 63M D RECT.	チ ッ プ 金 被 抵 抗			01
R178	RD454330	CARBON RESISTOR (CHIP)	33.0 63M J RECT.	チ ッ プ 抵 抗			01
R179	RD454220	CARBON RESISTOR (CHIP)	22.0 63M J RECT.	チ ッ プ 抵 抗			01
R201	RD457100	CARBON RESISTOR (CHIP)	10.0K 63M J RECT.	チ ッ プ 抵 抗			01
-204	RD457100	CARBON RESISTOR (CHIP)	10.0K 63M J RECT.	チ ッ プ 抵 抗			01
R206	RD457100	CARBON RESISTOR (CHIP)	10.0K 63M J RECT.	チ ッ プ 抵 抗			01
R208	RD457100	CARBON RESISTOR (CHIP)	10.0K 63M J RECT.	チ ッ プ 抵 抗			01
-210	RD457100	CARBON RESISTOR (CHIP)	10.0K 63M J RECT.	チ ッ プ 抵 抗			01
R212	RD45000R	CARBON RESISTOR (CHIP)	0.00 63M J RECT.	チ ッ プ 抵 抗			01
R213	RD454470	CARBON RESISTOR (CHIP)	47.0 63M J RECT.	チ ッ プ 抵 抗			01
R301	RD454220	CARBON RESISTOR (CHIP)	22.0 63M J RECT.	チ ッ プ 抵 抗			01
-304	RD454220	CARBON RESISTOR (CHIP)	22.0 63M J RECT.	チ ッ プ 抵 抗			01
R305	RD454470	CARBON RESISTOR (CHIP)	47.0 63M J RECT.	チ ッ プ 抵 抗			01
R306	RD456470	CARBON RESISTOR (CHIP)	47.0 63M J RECT.	チ ッ プ 抵 抗			01
R307	RD456470	CARBON RESISTOR (CHIP)	4.7K 63M J RECT.	チ ッ プ 抵 抗			01
R315	RD45000R	CARBON RESISTOR (CHIP)	0.00 63M J RECT.	チ ッ プ 抵 抗			01
R317	RD45000R	CARBON RESISTOR (CHIP)	0.00 63M J RECT.	チ ッ プ 抵 抗			01
R319	RD454220	CARBON RESISTOR (CHIP)	22.0 63M J RECT.	チ ッ プ 抵 抗			01
R324	RD457100	CARBON RESISTOR (CHIP)	10.0K 63M J RECT.	チ ッ プ 抵 抗			01
R325	RD454220	CARBON RESISTOR (CHIP)	22.0 63M J RECT.	チ ッ プ 抵 抗			01
R327	RD45747R	CARBON RESISTOR (CHIP)	47.0K 63M J RECT.	チ ッ プ 抵 抗			01
R342	RD454220	CARBON RESISTOR (CHIP)	22.0 63M J RECT.	チ ッ プ 抵 抗			01
-352	RD454220	CARBON RESISTOR (CHIP)	22.0 63M J RECT.	チ ッ プ 抵 抗			01
* R501	RA154750	METAL FILM RESISTOR (CHIP)	75.0 63M D RECT.	チ ッ プ 金 被 抵 抗			01
* -508	RA154750	METAL FILM RESISTOR (CHIP)	75.0 63M D RECT.	チ ッ プ 金 被 抵 抗			01
R509	RA158100	METAL FILM RESISTOR (CHIP)	100.0K 63M D RECT.	チ ッ プ 金 被 抵 抗			01
R510	RD454220	CARBON RESISTOR (CHIP)	22.0 63M J RECT.	チ ッ プ 抵 抗			01
R511	RA158100	METAL FILM RESISTOR (CHIP)	100.0K 63M D RECT.	チ ッ プ 金 被 抵 抗			01
R512	RF458270	CARBON RESISTOR (CHIP)	270.0K D RECT.	チ ッ プ 抵 抗			01

*: New Parts

RANK: Japan only

DNTU

REF NO.	PART NO.	DESCRIPTION	部	品	名	REMARKS	QTY	RANK
R516	RD45000R	CARBON RESISTOR (CHIP)	0.00 63M J RECT.	チ	ッ	ブ 抵 抗		01
R517	RD455100	CARBON RESISTOR (CHIP)	100.0 63M J RECT.	チ	ッ	ブ 抵 抗		01
R518	RA157100	METAL FILM RESISTOR (CHIP)	10.0K 63M D RECT.	チ	ッ	ブ 金 被 抵 抗		01
R519	RA157100	METAL FILM RESISTOR (CHIP)	10.0K 63M D RECT.	チ	ッ	ブ 金 被 抵 抗		01
R521	RD456470	CARBON RESISTOR (CHIP)	4.7K 63M J RECT.	チ	ッ	ブ 抵 抗		01
R525	RD45522R	CARBON RESISTOR (CHIP)	220.0 63M J RECT.	チ	ッ	ブ 抵 抗		01
R526	RD45522R	CARBON RESISTOR (CHIP)	220.0 63M J RECT.	チ	ッ	ブ 抵 抗		01
R527	RD454220	CARBON RESISTOR (CHIP)	22.0 63M J RECT.	チ	ッ	ブ 抵 抗		01
-529	RD454220	CARBON RESISTOR (CHIP)	22.0 63M J RECT.	チ	ッ	ブ 抵 抗		01
R531	RD456470	CARBON RESISTOR (CHIP)	4.7K 63M J RECT.	チ	ッ	ブ 抵 抗		01
R532	RD455100	CARBON RESISTOR (CHIP)	100.0 63M J RECT.	チ	ッ	ブ 抵 抗		01
R533	RD455100	CARBON RESISTOR (CHIP)	100.0 63M J RECT.	チ	ッ	ブ 抵 抗		01
R534	RD454220	CARBON RESISTOR (CHIP)	22.0 63M J RECT.	チ	ッ	ブ 抵 抗		01
R535	RD456100	CARBON RESISTOR (CHIP)	1.0K 63M J RECT.	チ	ッ	ブ 抵 抗		01
R536	RD456470	CARBON RESISTOR (CHIP)	4.7K 63M J RECT.	チ	ッ	ブ 抵 抗		01
R538	RD458470	CARBON RESISTOR (CHIP)	470.0K 63M J RECT.	チ	ッ	ブ 抵 抗		01
R539	RD45000R	CARBON RESISTOR (CHIP)	0.00 63M J RECT.	チ	ッ	ブ 抵 抗		01
R541	RD456470	CARBON RESISTOR (CHIP)	4.7K 63M J RECT.	チ	ッ	ブ 抵 抗		01
R543	RD456470	CARBON RESISTOR (CHIP)	4.7K 63M J RECT.	チ	ッ	ブ 抵 抗		01
R544	RD456470	CARBON RESISTOR (CHIP)	4.7K 63M J RECT.	チ	ッ	ブ 抵 抗		01
R545	RD456100	CARBON RESISTOR (CHIP)	1.0K 63M J RECT.	チ	ッ	ブ 抵 抗		01
* R546	RA154750	METAL FILM RESISTOR (CHIP)	75.0 63M D RECT.	チ	ッ	ブ 金 被 抵 抗		01
* R547	RA154750	METAL FILM RESISTOR (CHIP)	75.0 63M D RECT.	チ	ッ	ブ 金 被 抵 抗		01
R548	RD45000R	CARBON RESISTOR (CHIP)	0.00 63M J RECT.	チ	ッ	ブ 抵 抗		01
R549	RD45000R	CARBON RESISTOR (CHIP)	0.00 63M J RECT.	チ	ッ	ブ 抵 抗		01
R550	RD454220	CARBON RESISTOR (CHIP)	22.0 63M J RECT.	チ	ッ	ブ 抵 抗		01
R551	RD454220	CARBON RESISTOR (CHIP)	22.0 63M J RECT.	チ	ッ	ブ 抵 抗		01
R552	RD45000R	CARBON RESISTOR (CHIP)	0.00 63M J RECT.	チ	ッ	ブ 抵 抗		01
-554	RD45000R	CARBON RESISTOR (CHIP)	0.00 63M J RECT.	チ	ッ	ブ 抵 抗		01
R555	RD454220	CARBON RESISTOR (CHIP)	22.0 63M J RECT.	チ	ッ	ブ 抵 抗		01
R556	RD455100	CARBON RESISTOR (CHIP)	100.0 63M J RECT.	チ	ッ	ブ 抵 抗		01
R557	RD45000R	CARBON RESISTOR (CHIP)	0.00 63M J RECT.	チ	ッ	ブ 抵 抗		01
R558	RA158100	METAL FILM RESISTOR (CHIP)	100.0K 63M D RECT.	チ	ッ	ブ 金 被 抵 抗		01
R559	RF458180	CARBON RESISTOR (CHIP)	180.0K D RECT.	チ	ッ	ブ 抵 抗		01
R560	RD45000R	CARBON RESISTOR (CHIP)	0.00 63M J RECT.	チ	ッ	ブ 抵 抗		01
-570	RD45000R	CARBON RESISTOR (CHIP)	0.00 63M J RECT.	チ	ッ	ブ 抵 抗		01
R587	RD454220	CARBON RESISTOR (CHIP)	22.0 63M J RECT.	チ	ッ	ブ 抵 抗		01
R588	RD454220	CARBON RESISTOR (CHIP)	22.0 63M J RECT.	チ	ッ	ブ 抵 抗		01
R589	RD454560	CARBON RESISTOR (CHIP)	56.0 63M J RECT.	チ	ッ	ブ 抵 抗		01
R590	RD454220	CARBON RESISTOR (CHIP)	22.0 63M J RECT.	チ	ッ	ブ 抵 抗		01
R591	RD456100	CARBON RESISTOR (CHIP)	1.0K 63M J RECT.	チ	ッ	ブ 抵 抗		01
R593	RD454220	CARBON RESISTOR (CHIP)	22.0 63M J RECT.	チ	ッ	ブ 抵 抗		01
R594	RD454220	CARBON RESISTOR (CHIP)	22.0 63M J RECT.	チ	ッ	ブ 抵 抗		01
R595	RD456100	CARBON RESISTOR (CHIP)	1.0K 63M J RECT.	チ	ッ	ブ 抵 抗		01
RA101	WH205400	RESISTOR ARRAY	22 X 4	抵	抗	ア レ イ		01
-104	WH205400	RESISTOR ARRAY	22 X 4	抵	抗	ア レ イ		01
RA105	WH211800	RESISTOR ARRAY	10K X 4	抵	抗	ア レ イ		01
-109	WH211800	RESISTOR ARRAY	10K X 4	抵	抗	ア レ イ		01
RA112	WH205400	RESISTOR ARRAY	22 X 4	抵	抗	ア レ イ		01
-116	WH205400	RESISTOR ARRAY	22 X 4	抵	抗	ア レ イ		01
RA117	WH211800	RESISTOR ARRAY	10K X 4	抵	抗	ア レ イ		01
RA118	WH205400	RESISTOR ARRAY	22 X 4	抵	抗	ア レ イ		01
-129	WH205400	RESISTOR ARRAY	22 X 4	抵	抗	ア レ イ		01
RA130	WH206600	RESISTOR ARRAY	68 X 4	抵	抗	ア レ イ		01
RA131	WH205400	RESISTOR ARRAY	22 X 4	抵	抗	ア レ イ		01
-138	WH205400	RESISTOR ARRAY	22 X 4	抵	抗	ア レ イ		01
RA140	WH205400	RESISTOR ARRAY	22 X 4	抵	抗	ア レ イ		01
-159	WH205400	RESISTOR ARRAY	22 X 4	抵	抗	ア レ イ		01
RA160	WH211800	RESISTOR ARRAY	10K X 4	抵	抗	ア レ イ		01
-167	WH211800	RESISTOR ARRAY	10K X 4	抵	抗	ア レ イ		01
RA168	WH205400	RESISTOR ARRAY	22 X 4	抵	抗	ア レ イ		01
-171	WH205400	RESISTOR ARRAY	22 X 4	抵	抗	ア レ イ		01
RA201	WH211800	RESISTOR ARRAY	10K X 4	抵	抗	ア レ イ		01
-203	WH211800	RESISTOR ARRAY	10K X 4	抵	抗	ア レ イ		01
RA204	WH205400	RESISTOR ARRAY	22 X 4	抵	抗	ア レ イ		01
RA205	WH211800	RESISTOR ARRAY	10K X 4	抵	抗	ア レ イ		01
RA206	WH211800	RESISTOR ARRAY	10K X 4	抵	抗	ア レ イ		01
RA301	WH205400	RESISTOR ARRAY	22 X 4	抵	抗	ア レ イ		01
RA302	WH205400	RESISTOR ARRAY	22 X 4	抵	抗	ア レ イ		01
RA501	WH205400	RESISTOR ARRAY	22 X 4	抵	抗	ア レ イ		01

*: New Parts

RANK: Japan only

DNTU and DSP

REF NO.	PART NO.	DESCRIPTION		部 品 名	REMARKS	QTY	RANK
-520	WH205400	RESISTOR ARRAY	22 X 4	抵 抗 ア レ イ			01
T502	X6230A00	FILTER MODULE	H1102NLT	フ ィ ル タ ー モ ジ ュ ー ル			05
T503	X6230A00	FILTER MODULE	H1102NLT	フ ィ ル タ ー モ ジ ュ ー ル			05
* T504	YD755A00	FILTER MODULE	H5012NLT	フ ィ ル タ ー モ ジ ュ ー ル			
X101	WG967900	QUARTZ CRYSTAL UNIT	16MHz SG-310SCF	水 晶 振 動 器			04
X102	WM135400	RESONATOR QUARTZ	25MHz DSX321G	水 晶 振 動 子			03
X301	WM885800	RESONATOR QUARTZ	45.1584MHz SG-310SCF	水 晶 発 振 器			03
X302	WM885900	RESONATOR QUARTZ	49.152MHz SG-310SCN	水 晶 発 振 器			03
* X501	WU437400	RESONATOR QUARTZ	25MHz SG-310SEF	水 晶 発 振 器			
* CN921	WY635200	CIRCUIT BOARD	DSP	D S P シ ー ト	(YD584C0)		
CN922	VK025501	WIRE TRAP	52147 11P TE	ワ イ ヤ ー ト ラ ッ プ			01
CN961	WD758300	WIRE TRAP	52147 8P TE	ワ イ ヤ ー ト ラ ッ プ			01
C001	LB932100	CONNECTOR	VH 10P TE	ベ ー ス ポ ス ト			02
C001	US635100	CERAMIC CAPACITOR (CHIP)	0.100 16V Z RECT.	チ ッ プ セ ラ (F)			01
-124	US635100	CERAMIC CAPACITOR (CHIP)	0.100 16V Z RECT.	チ ッ プ セ ラ (F)			01
C151	WD758300	CERAMIC CAPACITOR (CHIP)	10U 10V K RECT.	チ ッ プ セ ラ			01
-153	WD758300	CERAMIC CAPACITOR (CHIP)	10U 10V K RECT.	チ ッ プ セ ラ			01
C154	US635100	CERAMIC CAPACITOR (CHIP)	0.100 16V Z RECT.	チ ッ プ セ ラ (F)			01
-159	US635100	CERAMIC CAPACITOR (CHIP)	0.100 16V Z RECT.	チ ッ プ セ ラ (F)			01
C160	US634220	CERAMIC CAPACITOR (CHIP)	0.022 16V K RECT.	チ ッ プ セ ラ (B)			01
C161	US635100	CERAMIC CAPACITOR (CHIP)	0.100 16V Z RECT.	チ ッ プ セ ラ (F)			01
C162	UF12847R	ELECTROLYTIC CAP. (CHIP)	470 10V	チ ッ プ ケ ミ コ ン			02
C163	US635100	CERAMIC CAPACITOR (CHIP)	0.100 16V Z RECT.	チ ッ プ セ ラ (F)			01
-167	US635100	CERAMIC CAPACITOR (CHIP)	0.100 16V Z RECT.	チ ッ プ セ ラ (F)			01
C168	US634220	CERAMIC CAPACITOR (CHIP)	0.022 16V K RECT.	チ ッ プ セ ラ (B)			01
C169	US635100	CERAMIC CAPACITOR (CHIP)	0.100 16V Z RECT.	チ ッ プ セ ラ (F)			01
C170	US634220	CERAMIC CAPACITOR (CHIP)	0.022 16V K RECT.	チ ッ プ セ ラ (B)			01
C171	US635100	CERAMIC CAPACITOR (CHIP)	0.100 16V Z RECT.	チ ッ プ セ ラ (F)			01
C172	US635100	CERAMIC CAPACITOR (CHIP)	0.100 16V Z RECT.	チ ッ プ セ ラ (F)			01
C173	V6200900	POLYESTER FILM CAP. (CHIP)	1.0000 16V M RECT	チ ッ プ フ ィ ル ム コ ン			01
C176	US635100	CERAMIC CAPACITOR (CHIP)	0.100 16V Z RECT.	チ ッ プ セ ラ (F)			01
-179	US635100	CERAMIC CAPACITOR (CHIP)	0.100 16V Z RECT.	チ ッ プ セ ラ (F)			01
C180	US662560	CERAMIC CAPACITOR (CHIP)	560P 50V K RECT.	チ ッ プ セ ラ (B)			01
C181	US635100	CERAMIC CAPACITOR (CHIP)	0.100 16V Z RECT.	チ ッ プ セ ラ (F)			01
-183	US635100	CERAMIC CAPACITOR (CHIP)	0.100 16V Z RECT.	チ ッ プ セ ラ (F)			01
C184	US634220	CERAMIC CAPACITOR (CHIP)	0.022 16V K RECT.	チ ッ プ セ ラ (B)			01
C185	US635100	CERAMIC CAPACITOR (CHIP)	0.100 16V Z RECT.	チ ッ プ セ ラ (F)			01
-188	US635100	CERAMIC CAPACITOR (CHIP)	0.100 16V Z RECT.	チ ッ プ セ ラ (F)			01
C251	US635100	CERAMIC CAPACITOR (CHIP)	0.100 16V Z RECT.	チ ッ プ セ ラ (F)			01
-254	US635100	CERAMIC CAPACITOR (CHIP)	0.100 16V Z RECT.	チ ッ プ セ ラ (F)			01
C255	WD758200	CERAMIC CAPACITOR (CHIP)	47U 6.3V M RECT.	チ ッ プ セ ラ			01
C256	US635100	CERAMIC CAPACITOR (CHIP)	0.100 16V Z RECT.	チ ッ プ セ ラ (F)			01
C257	WD758200	CERAMIC CAPACITOR (CHIP)	47U 6.3V M RECT.	チ ッ プ セ ラ			01
C258	US635100	CERAMIC CAPACITOR (CHIP)	0.100 16V Z RECT.	チ ッ プ セ ラ (F)			01
-267	US635100	CERAMIC CAPACITOR (CHIP)	0.100 16V Z RECT.	チ ッ プ セ ラ (F)			01
C268	WB57420R	POLYESTER FILM CAP. (CHIP)	.00022 50V J RECT.	チ ッ プ マ イ ラ ー			01
C269	WB57210R	POLYESTER FILM CAP. (CHIP)	0.0047 16V J RECT.	チ ッ プ マ イ ラ ー			01
C270	WB57420R	POLYESTER FILM CAP. (CHIP)	.00022 50V J RECT.	チ ッ プ マ イ ラ ー			01
C271	WB57210R	POLYESTER FILM CAP. (CHIP)	0.0047 16V J RECT.	チ ッ プ マ イ ラ ー			01
C272	US635100	CERAMIC CAPACITOR (CHIP)	0.100 16V Z RECT.	チ ッ プ セ ラ (F)			01
-300	US635100	CERAMIC CAPACITOR (CHIP)	0.100 16V Z RECT.	チ ッ プ セ ラ (F)			01
C301	WD758200	CERAMIC CAPACITOR (CHIP)	47U 6.3V M RECT.	チ ッ プ セ ラ			01
C302	US635100	CERAMIC CAPACITOR (CHIP)	0.100 16V Z RECT.	チ ッ プ セ ラ (F)			01
C303	WD758200	CERAMIC CAPACITOR (CHIP)	47U 6.3V M RECT.	チ ッ プ セ ラ			01
C304	US635100	CERAMIC CAPACITOR (CHIP)	0.100 16V Z RECT.	チ ッ プ セ ラ (F)			01
-313	US635100	CERAMIC CAPACITOR (CHIP)	0.100 16V Z RECT.	チ ッ プ セ ラ (F)			01
C314	WB57420R	POLYESTER FILM CAP. (CHIP)	.00022 50V J RECT.	チ ッ プ マ イ ラ ー			01
C315	WB57210R	POLYESTER FILM CAP. (CHIP)	0.0047 16V J RECT.	チ ッ プ マ イ ラ ー			01
C316	WB57420R	POLYESTER FILM CAP. (CHIP)	.00022 50V J RECT.	チ ッ プ マ イ ラ ー			01
C317	WB57210R	POLYESTER FILM CAP. (CHIP)	0.0047 16V J RECT.	チ ッ プ マ イ ラ ー			01
C318	US635100	CERAMIC CAPACITOR (CHIP)	0.100 16V Z RECT.	チ ッ プ セ ラ (F)			01
-345	US635100	CERAMIC CAPACITOR (CHIP)	0.100 16V Z RECT.	チ ッ プ セ ラ (F)			01
C351	US635100	CERAMIC CAPACITOR (CHIP)	0.100 16V Z RECT.	チ ッ プ セ ラ (F)			01
C352	WD758200	CERAMIC CAPACITOR (CHIP)	47U 6.3V M RECT.	チ ッ プ セ ラ			01
C353	US635100	CERAMIC CAPACITOR (CHIP)	0.100 16V Z RECT.	チ ッ プ セ ラ (F)			01
C354	WD758200	CERAMIC CAPACITOR (CHIP)	47U 6.3V M RECT.	チ ッ プ セ ラ			01
C355	US635100	CERAMIC CAPACITOR (CHIP)	0.100 16V Z RECT.	チ ッ プ セ ラ (F)			01
-364	US635100	CERAMIC CAPACITOR (CHIP)	0.100 16V Z RECT.	チ ッ プ セ ラ (F)			01
C365	WB57420R	POLYESTER FILM CAP. (CHIP)	.00022 50V J RECT.	チ ッ プ マ イ ラ ー			01

*: New Parts

RANK: Japan only

DSP

REF NO.	PART NO.	DESCRIPTION	部 品 名	REMARKS	QTY	RANK
C366	WB57210R	POLYESTER FILM CAP. (CHIP)	0.0047 16V J RECT.	チップマイラー		01
C367	WB57420R	POLYESTER FILM CAP. (CHIP)	.00022 50V J RECT.	チップマイラー		01
C368	WB57210R	POLYESTER FILM CAP. (CHIP)	0.0047 16V J RECT.	チップマイラー		01
C369	US635100	CERAMIC CAPACITOR (CHIP)	0.100 16V Z RECT.	チップセラ(F)		01
-406	US635100	CERAMIC CAPACITOR (CHIP)	0.100 16V Z RECT.	チップセラ(F)		01
C407	WB57420R	POLYESTER FILM CAP. (CHIP)	.00022 50V J RECT.	チップマイラー		01
C408	WB57210R	POLYESTER FILM CAP. (CHIP)	0.0047 16V J RECT.	チップマイラー		01
C409	WB57420R	POLYESTER FILM CAP. (CHIP)	.00022 50V J RECT.	チップマイラー		01
C410	WB57210R	POLYESTER FILM CAP. (CHIP)	0.0047 16V J RECT.	チップマイラー		01
C411	US635100	CERAMIC CAPACITOR (CHIP)	0.100 16V Z RECT.	チップセラ(F)		01
-438	US635100	CERAMIC CAPACITOR (CHIP)	0.100 16V Z RECT.	チップセラ(F)		01
C451	US635100	CERAMIC CAPACITOR (CHIP)	0.100 16V Z RECT.	チップセラ(F)		01
C452	WD758200	CERAMIC CAPACITOR (CHIP)	47U 6.3V M RECT.	チップセラ		01
C453	US635100	CERAMIC CAPACITOR (CHIP)	0.100 16V Z RECT.	チップセラ(F)		01
C454	WD758200	CERAMIC CAPACITOR (CHIP)	47U 6.3V M RECT.	チップセラ		01
C455	US635100	CERAMIC CAPACITOR (CHIP)	0.100 16V Z RECT.	チップセラ(F)		01
C456	WD758200	CERAMIC CAPACITOR (CHIP)	47U 6.3V M RECT.	チップセラ		01
C457	US635100	CERAMIC CAPACITOR (CHIP)	0.100 16V Z RECT.	チップセラ(F)		01
-466	US635100	CERAMIC CAPACITOR (CHIP)	0.100 16V Z RECT.	チップセラ(F)		01
C467	WB57420R	POLYESTER FILM CAP. (CHIP)	.00022 50V J RECT.	チップマイラー		01
C468	WB57210R	POLYESTER FILM CAP. (CHIP)	0.0047 16V J RECT.	チップマイラー		01
C469	WB57420R	POLYESTER FILM CAP. (CHIP)	.00022 50V J RECT.	チップマイラー		01
C470	WB57210R	POLYESTER FILM CAP. (CHIP)	0.0047 16V J RECT.	チップマイラー		01
C471	US635100	CERAMIC CAPACITOR (CHIP)	0.100 16V Z RECT.	チップセラ(F)		01
-499	US635100	CERAMIC CAPACITOR (CHIP)	0.100 16V Z RECT.	チップセラ(F)		01
C500	WD758200	CERAMIC CAPACITOR (CHIP)	47U 6.3V M RECT.	チップセラ		01
C501	US635100	CERAMIC CAPACITOR (CHIP)	0.100 16V Z RECT.	チップセラ(F)		01
C502	WD758200	CERAMIC CAPACITOR (CHIP)	47U 6.3V M RECT.	チップセラ		01
C503	US635100	CERAMIC CAPACITOR (CHIP)	0.100 16V Z RECT.	チップセラ(F)		01
-511	US635100	CERAMIC CAPACITOR (CHIP)	0.100 16V Z RECT.	チップセラ(F)		01
C512	WB57420R	POLYESTER FILM CAP. (CHIP)	.00022 50V J RECT.	チップマイラー		01
C513	WB57210R	POLYESTER FILM CAP. (CHIP)	0.0047 16V J RECT.	チップマイラー		01
C514	US635100	CERAMIC CAPACITOR (CHIP)	0.100 16V Z RECT.	チップセラ(F)		01
-527	US635100	CERAMIC CAPACITOR (CHIP)	0.100 16V Z RECT.	チップセラ(F)		01
C551	US635100	CERAMIC CAPACITOR (CHIP)	0.100 16V Z RECT.	チップセラ(F)		01
C552	WD758300	CERAMIC CAPACITOR (CHIP)	10U 10V K RECT.	チップセラ		01
C553	WD758300	CERAMIC CAPACITOR (CHIP)	10U 10V K RECT.	チップセラ		01
C554	US635100	CERAMIC CAPACITOR (CHIP)	0.100 16V Z RECT.	チップセラ(F)		01
-578	US635100	CERAMIC CAPACITOR (CHIP)	0.100 16V Z RECT.	チップセラ(F)		01
C580	WQ841000	MONOLITHIC CERAMIC CAP(CHIP)	100.000 6.3V M KAK	チップ積層セラコン		01
C581	US661470	CERAMIC CAPACITOR (CHIP)	47P 50V J RECT.	チップセラ(CH)		01
C582	US663100	CERAMIC CAPACITOR (CHIP)	1000P 50V K RECT.	チップセラ(B)		01
C583	US661220	CERAMIC CAPACITOR (CHIP)	22P 50V J RECT.	チップセラ(CH)		01
C584	WQ841000	MONOLITHIC CERAMIC CAP(CHIP)	100.000 6.3V M KAK	チップ積層セラコン		01
C601	US635100	CERAMIC CAPACITOR (CHIP)	0.100 16V Z RECT.	チップセラ(F)		01
-642	US635100	CERAMIC CAPACITOR (CHIP)	0.100 16V Z RECT.	チップセラ(F)		01
C651	US635100	CERAMIC CAPACITOR (CHIP)	0.100 16V Z RECT.	チップセラ(F)		01
C652	WD758200	CERAMIC CAPACITOR (CHIP)	47U 6.3V M RECT.	チップセラ		01
C653	WD758200	CERAMIC CAPACITOR (CHIP)	47U 6.3V M RECT.	チップセラ		01
C654	US635100	CERAMIC CAPACITOR (CHIP)	0.100 16V Z RECT.	チップセラ(F)		01
-665	US635100	CERAMIC CAPACITOR (CHIP)	0.100 16V Z RECT.	チップセラ(F)		01
C666	V6200800	POLYESTER FILM CAP. (CHIP)	0.6800 16V M RECT	チップフィルムコン		01
C667	V6200800	POLYESTER FILM CAP. (CHIP)	0.6800 16V M RECT	チップフィルムコン		01
C668	WD758300	CERAMIC CAPACITOR (CHIP)	10U 10V K RECT.	チップセラ		01
C669	US635100	CERAMIC CAPACITOR (CHIP)	0.100 16V Z RECT.	チップセラ(F)		01
-681	US635100	CERAMIC CAPACITOR (CHIP)	0.100 16V Z RECT.	チップセラ(F)		01
C682	US663100	CERAMIC CAPACITOR (CHIP)	1000P 50V K RECT.	チップセラ(B)		01
C683	US662100	CERAMIC CAPACITOR (CHIP)	100P 50V J RECT.	チップセラ(CH)		01
C701	US635100	CERAMIC CAPACITOR (CHIP)	0.100 16V Z RECT.	チップセラ(F)		01
-703	US635100	CERAMIC CAPACITOR (CHIP)	0.100 16V Z RECT.	チップセラ(F)		01
C751	US635100	CERAMIC CAPACITOR (CHIP)	0.100 16V Z RECT.	チップセラ(F)		01
-761	US635100	CERAMIC CAPACITOR (CHIP)	0.100 16V Z RECT.	チップセラ(F)		01
C801	US635100	CERAMIC CAPACITOR (CHIP)	0.100 16V Z RECT.	チップセラ(F)		01
-812	US635100	CERAMIC CAPACITOR (CHIP)	0.100 16V Z RECT.	チップセラ(F)		01
C821	US635100	CERAMIC CAPACITOR (CHIP)	0.100 16V Z RECT.	チップセラ(F)		01
-831	US635100	CERAMIC CAPACITOR (CHIP)	0.100 16V Z RECT.	チップセラ(F)		01
C851	US635100	CERAMIC CAPACITOR (CHIP)	0.100 16V Z RECT.	チップセラ(F)		01
C871	US635100	CERAMIC CAPACITOR (CHIP)	0.100 16V Z RECT.	チップセラ(F)		01
C901	US635100	CERAMIC CAPACITOR (CHIP)	0.100 16V Z RECT.	チップセラ(F)		01
C921	US635100	CERAMIC CAPACITOR (CHIP)	0.100 16V Z RECT.	チップセラ(F)		01

*: New Parts

RANK: Japan only

DSP

REF NO.	PART NO.	DESCRIPTION	部 品 名	REMARKS	QTY	RANK
C922	US635100	CERAMIC CAPACITOR (CHIP)	0.100 16V Z RECT.	チップセラ(F)		01
C941	US635100	CERAMIC CAPACITOR (CHIP)	0.100 16V Z RECT.	チップセラ(F)		01
C942	US635100	CERAMIC CAPACITOR (CHIP)	0.100 16V Z RECT.	チップセラ(F)		01
C961	WQ841000	MONOLITHIC CERAMIC CAP(CHIP)	100.000 6.3V M KAK	チップ積層セラコン		
-963	WQ841000	MONOLITHIC CERAMIC CAP(CHIP)	100.000 6.3V M KAK	チップ積層セラコン		
C964	US635100	CERAMIC CAPACITOR (CHIP)	0.100 16V Z RECT.	チップセラ(F)		01
-966	US635100	CERAMIC CAPACITOR (CHIP)	0.100 16V Z RECT.	チップセラ(F)		01
C967	US643470	CERAMIC CAPACITOR (CHIP)	4700P 25V K RECT.	チップセラ(B)		01
C968	US634100	CERAMIC CAPACITOR (CHIP)	0.010 16V K RECT.	チップセラ(B)		01
C969	WM489900	CERAMIC CAPACITOR (CHIP)	10.0000 35V M KAKU	チップセラコン		
C970	WM489900	CERAMIC CAPACITOR (CHIP)	10.0000 35V M KAKU	チップセラコン		
C971	US635100	CERAMIC CAPACITOR (CHIP)	0.100 16V Z RECT.	チップセラ(F)		01
C972	WJ344400	CERAMIC CAPACITOR (CHIP)	22 6.3V M RECT.	チップセラ		01
C973	WJ344400	CERAMIC CAPACITOR (CHIP)	22 6.3V M RECT.	チップセラ		01
C974	US643470	CERAMIC CAPACITOR (CHIP)	4700P 25V K RECT.	チップセラ(B)		01
C975	US634100	CERAMIC CAPACITOR (CHIP)	0.010 16V K RECT.	チップセラ(B)		01
C976	WM489900	CERAMIC CAPACITOR (CHIP)	10.0000 35V M KAKU	チップセラコン		
C977	WM489900	CERAMIC CAPACITOR (CHIP)	10.0000 35V M KAKU	チップセラコン		
C978	US635100	CERAMIC CAPACITOR (CHIP)	0.100 16V Z RECT.	チップセラ(F)		01
C979	WJ344400	CERAMIC CAPACITOR (CHIP)	22 6.3V M RECT.	チップセラ		01
C980	WJ344400	CERAMIC CAPACITOR (CHIP)	22 6.3V M RECT.	チップセラ		01
CN101	WF02500R	CONNECTOR	52837 180P TE	基板用コネクタ		08
CN102	VT388700	CONNECTOR	PH 6P TE	ベース付ポスト		01
CN103	VT388600	CONNECTOR	PH 5P TE	ベース付ポスト		01
CN151	VR134300	CONNECTOR	PH 6P SE	ベース付ポスト		01
CN451	WF02510R	CONNECTOR	53481 180P TE	基板用コネクタ		07
CN551	VR134300	CONNECTOR	PH 6P SE	ベース付ポスト		01
CN552	WC199000	FMN CONNECTOR	FMN 40P TE	FMNコネクタ		
CN553	WC199000	FMN CONNECTOR	FMN 40P TE	FMNコネクタ		
CN652	VR134300	CONNECTOR	PH 6P SE	ベース付ポスト		01
CN701	VT388800	CONNECTOR	PH 7P TE	ベース付ポスト		
-704	VT388800	CONNECTOR	PH 7P TE	ベース付ポスト		
CN705	VT388500	CONNECTOR	PH 4P TE	ベース付ポスト		01
CN706	VT388900	CONNECTOR	PH 8P TE	ベース付ポスト		01
CN751	WC19880R	FMN CONNECTOR	FMN 38P TE	FMNコネクタ		03
CN752	WC199000	FMN CONNECTOR	FMN 40P TE	FMNコネクタ		
CN753	WC19880R	FMN CONNECTOR	FMN 38P TE	FMNコネクタ		03
CN851	WC199000	FMN CONNECTOR	FMN 40P TE	FMNコネクタ		
CN871	WC19730R	FMN CONNECTOR	FMN 23P TE	FMNコネクタ		02
CN901	WC19660R	FMN CONNECTOR	FMN 16P TE	FMNコネクタ		03
CN941	VT388800	CONNECTOR	PH 7P TE	ベース付ポスト		
D151	WG139300	DIODE (CHIP)	KDS4148U-RTK/P TE	チップダイオード		
D961	V2330500	SCHOTTKY BARRIER DIODE	DE5S4M	ショットキダイオード		03
D962	V2330500	SCHOTTKY BARRIER DIODE	DE5S4M	ショットキダイオード		03
EM101	ZC805200	EMI FILTER (CHIP)	31PT222Z1E9L TP	チップエミフィル		01
EM151	ZC805200	EMI FILTER (CHIP)	31PT222Z1E9L TP	チップエミフィル		01
-154	ZC805200	EMI FILTER (CHIP)	31PT222Z1E9L TP	チップエミフィル		01
EM251	ZC805200	EMI FILTER (CHIP)	31PT222Z1E9L TP	チップエミフィル		01
EM551	ZC805200	EMI FILTER (CHIP)	31PT222Z1E9L TP	チップエミフィル		01
EM701	ZC805200	EMI FILTER (CHIP)	31PT222Z1E9L TP	チップエミフィル		01
-705	ZC805200	EMI FILTER (CHIP)	31PT222Z1E9L TP	チップエミフィル		01
EM851	ZC805200	EMI FILTER (CHIP)	31PT222Z1E9L TP	チップエミフィル		01
EM961	ZC805200	EMI FILTER (CHIP)	31PT222Z1E9L TP	チップエミフィル		01
-963	ZC805200	EMI FILTER (CHIP)	31PT222Z1E9L TP	チップエミフィル		01
IC101	X3847A0R	IC	S-80142ANMC-JC3T2G	I C	SYSTEM RESET	01
IC102	X3693A01	IC	SN74LV245APWR	I C	TRANSCEIVER	05
IC103	XT744B0R	IC	TC74VHCT245AFT	I C	TRANSCEIVER	02
IC104	X5965A0R	IC	SN74LV04APWR	I C	INVERTER	01
IC105	X5965A0R	IC	SN74LV04APWR	I C	INVERTER	01
IC106	X3693A01	IC	SN74LV245APWR	I C	TRANSCEIVER	05
-117	X3693A01	IC	SN74LV245APWR	I C	TRANSCEIVER	05
IC118	XT744B0R	IC	TC74VHCT245AFT	I C	TRANSCEIVER	02
IC119	XT744B0R	IC	TC74VHCT245AFT	I C	TRANSCEIVER	02
IC120	X3096A00	IC	SN74LVCC4245APWR	I C	TRANSCEIVER	
IC120	X3097A0R	IC	74LVX4245MTCX_NF40	I C		03
IC121	X3096A00	IC	SN74LVCC4245APWR	I C	TRANSCEIVER	
IC121	X3097A0R	IC	74LVX4245MTCX_NF40	I C		03
IC122	XR680A00	IC	TC7SH08FU(TE85L,JF)	I C	AND	01
IC122	X3833A00	IC	SN74AHC1G08DCKR	I C		01
IC122	X5896A00	IC	SN74LVC1G08DCKR	I C		01

*: New Parts

RANK: Japan only

DSP

REF NO.	PART NO.	DESCRIPTION	部	品	名	REMARKS	QTY	RANK
IC122	X5896B00	IC			C			01
IC122	YA350A00	IC			C			01
IC122	YE491A00	IC			C			01
IC123	XR680A00	IC			C	AND		01
IC123	X3833A00	IC			C			01
IC123	X5896A00	IC			C			01
IC123	X5896B00	IC			C			01
IC123	YA350A00	IC			C			01
IC123	YE491A00	IC			C			01
IC151	XR680A00	IC			C	AND		01
IC151	X3833A00	IC			C			01
IC151	X5896A00	IC			C			01
IC151	X5896B00	IC			C			01
IC151	YA350A00	IC			C			01
IC151	YE491A00	IC			C			01
* IC152	YE064B00	IC			C	CPLD		
IC153	X8690A00	IC			C	PLL		05
IC155	XV892B00	IC			C	D-FF		01
IC156	XY806A0R	IC			C	INVERTER		02
IC157	X6158A00	IC			C	VOLTAGE DETECTOR		01
IC158	X7285A00	IC			C	NAND GATE		01
IC159	XY806A0R	IC			C	INVERTER		02
IC160	X3693A01	IC			C	TRANSCEIVER		05
IC161	X3693A01	IC			C	TRANSCEIVER		05
IC162	XT744B0R	IC			C	TRANSCEIVER		02
IC251	XZ693C00	IC			C	DSP7		08
-261	XZ693C00	IC			C	DSP7		08
IC262	X5665C00	IC			C	SDRAM 64M		03
-272	X5665C00	IC			C	SDRAM 64M		03
IC273	XV892B00	IC			C	D-FF		01
IC274	X3693A01	IC			C	TRANSCEIVER		05
IC451	X3693A01	IC			C	TRANSCEIVER		05
-454	X3693A01	IC			C	TRANSCEIVER		05
* IC551	YE065B00	IC			C	SPI FLASH MEMORY		
* IC552	YD697A00	IC			C	FPGA		
IC553	X3693A01	IC			C	TRANSCEIVER		05
-556	X3693A01	IC			C	TRANSCEIVER		05
IC557	X7616A00	IC			C	DC-DC CONVERTER		05
IC651	X3180A0R	IC			C	REGULATOR		03
IC652	X3803A00	IC			C	DSP		15
* IC653	YD750A00	IC			C	SRC		
* IC654	YE063B00	IC			C	CPLD		
IC701	XT744B0R	IC			C	TRANSCEIVER		02
IC702	X5263A0R	IC			C	I2C HUB		06
IC703	X5263A0R	IC			C	I2C HUB		06
IC751	XT744B0R	IC			C	TRANSCEIVER		02
IC752	X3693A01	IC			C	TRANSCEIVER		05
IC753	XT744B0R	IC			C	TRANSCEIVER		02
IC754	X3693A01	IC			C	TRANSCEIVER		05
IC755	XT744B0R	IC			C	TRANSCEIVER		02
IC756	X3693A01	IC			C	TRANSCEIVER		05
-761	X3693A01	IC			C	TRANSCEIVER		05
IC851	XT744B0R	IC			C	TRANSCEIVER		02
IC871	X3693A01	IC			C	TRANSCEIVER		05
IC901	X3693A01	IC			C	TRANSCEIVER		05
IC921	X3693A01	IC			C	TRANSCEIVER		05
IC922	X3693A01	IC			C	TRANSCEIVER		05
IC941	XY806A0R	IC			C	INVERTER		02
IC942	XV890B0R	IC			C	INVERTER		01
IC961	YD184B00	IC			C	DC-DC CONVERTER		
IC962	YD184B00	IC			C	DC-DC CONVERTER		
L101	WG834800	COIL						01
L151	V3232700	INDUCTOR (CHIP)						01
L551	WM457700	COIL						01
L701	WB24830R	INDUCTOR (CHIP)						01
-712	WB24830R	INDUCTOR (CHIP)						01
L961	V5431600	INDUCTOR (CHIP)						01
L962	V5431600	INDUCTOR (CHIP)						01
R101	RD454220	CARBON RESISTOR (CHIP)						01
R102	RD45000R	CARBON RESISTOR (CHIP)						01

*: New Parts

RANK: Japan only

DSP

REF NO.	PART NO.	DESCRIPTION		部	品	名	REMARKS	QTY	RANK
R103	RD45000R	CARBON RESISTOR (CHIP)	0.00 63M J RECT.	チ	ッ	ブ 抵 抗			01
R104	RD454680	CARBON RESISTOR (CHIP)	68.0 63M J RECT.	チ	ッ	ブ 抵 抗			01
R105	RD45000R	CARBON RESISTOR (CHIP)	0.00 63M J RECT.	チ	ッ	ブ 抵 抗			01
R106	RD45000R	CARBON RESISTOR (CHIP)	0.00 63M J RECT.	チ	ッ	ブ 抵 抗			01
R107	RD457100	CARBON RESISTOR (CHIP)	10.0K 63M J RECT.	チ	ッ	ブ 抵 抗			01
R108	RD45000R	CARBON RESISTOR (CHIP)	0.00 63M J RECT.	チ	ッ	ブ 抵 抗			01
-118	RD45000R	CARBON RESISTOR (CHIP)	0.00 63M J RECT.	チ	ッ	ブ 抵 抗			01
R119	RD454470	CARBON RESISTOR (CHIP)	47.0 63M J RECT.	チ	ッ	ブ 抵 抗			01
R120	RD454470	CARBON RESISTOR (CHIP)	47.0 63M J RECT.	チ	ッ	ブ 抵 抗			01
R151	RD456470	CARBON RESISTOR (CHIP)	4.7K 63M J RECT.	チ	ッ	ブ 抵 抗			01
R152	RD456470	CARBON RESISTOR (CHIP)	4.7K 63M J RECT.	チ	ッ	ブ 抵 抗			01
R153	RD454330	CARBON RESISTOR (CHIP)	33.0 63M J RECT.	チ	ッ	ブ 抵 抗			01
R154	RD454330	CARBON RESISTOR (CHIP)	33.0 63M J RECT.	チ	ッ	ブ 抵 抗			01
R155	RD45000R	CARBON RESISTOR (CHIP)	0.00 63M J RECT.	チ	ッ	ブ 抵 抗			01
-157	RD45000R	CARBON RESISTOR (CHIP)	0.00 63M J RECT.	チ	ッ	ブ 抵 抗			01
R158	RD454330	CARBON RESISTOR (CHIP)	33.0 63M J RECT.	チ	ッ	ブ 抵 抗			01
-160	RD454330	CARBON RESISTOR (CHIP)	33.0 63M J RECT.	チ	ッ	ブ 抵 抗			01
R161	RD45000R	CARBON RESISTOR (CHIP)	0.00 63M J RECT.	チ	ッ	ブ 抵 抗			01
R162	RD45000R	CARBON RESISTOR (CHIP)	0.00 63M J RECT.	チ	ッ	ブ 抵 抗			01
R163	RD45747R	CARBON RESISTOR (CHIP)	47.0K 63M J RECT.	チ	ッ	ブ 抵 抗			01
R164	RD45000R	CARBON RESISTOR (CHIP)	0.00 63M J RECT.	チ	ッ	ブ 抵 抗			01
R165	RA156330	METAL FILM RESISTOR (CHIP)	3.3K 63M D RECT.	チ	ッ	ブ 金 被 抵 抗			01
R166	RD45747R	CARBON RESISTOR (CHIP)	47.0K 63M J RECT.	チ	ッ	ブ 抵 抗			01
R167	RA155330	METAL FILM RESISTOR (CHIP)	330.0 63M D RECT.	チ	ッ	ブ 金 被 抵 抗			01
R168	RA156300	METAL FILM RESISTOR (CHIP)	3.0K 63M D RECT.	チ	ッ	ブ 金 被 抵 抗			01
R170	RD457100	CARBON RESISTOR (CHIP)	10.0K 63M J RECT.	チ	ッ	ブ 抵 抗			01
R171	RD45747R	CARBON RESISTOR (CHIP)	47.0K 63M J RECT.	チ	ッ	ブ 抵 抗			01
R173	RD45000R	CARBON RESISTOR (CHIP)	0.00 63M J RECT.	チ	ッ	ブ 抵 抗			01
R174	RD45000R	CARBON RESISTOR (CHIP)	0.00 63M J RECT.	チ	ッ	ブ 抵 抗			01
R175	RD45747R	CARBON RESISTOR (CHIP)	47.0K 63M J RECT.	チ	ッ	ブ 抵 抗			01
-178	RD45747R	CARBON RESISTOR (CHIP)	47.0K 63M J RECT.	チ	ッ	ブ 抵 抗			01
R179	RD456470	CARBON RESISTOR (CHIP)	4.7K 63M J RECT.	チ	ッ	ブ 抵 抗			01
-181	RD456470	CARBON RESISTOR (CHIP)	4.7K 63M J RECT.	チ	ッ	ブ 抵 抗			01
R186	RD45615R	CARBON RESISTOR (CHIP)	1.5K 63M J RECT.	チ	ッ	ブ 抵 抗			01
R187	RD45515R	CARBON RESISTOR (CHIP)	150.0 63M J RECT.	チ	ッ	ブ 抵 抗			01
R188	RD455100	CARBON RESISTOR (CHIP)	100.0 63M J RECT.	チ	ッ	ブ 抵 抗			01
R189	RD458470	CARBON RESISTOR (CHIP)	470.0K 63M J RECT.	チ	ッ	ブ 抵 抗			01
R190	RD45000R	CARBON RESISTOR (CHIP)	0.00 63M J RECT.	チ	ッ	ブ 抵 抗			01
-212	RD45000R	CARBON RESISTOR (CHIP)	0.00 63M J RECT.	チ	ッ	ブ 抵 抗			01
R213	RD454470	CARBON RESISTOR (CHIP)	47.0 63M J RECT.	チ	ッ	ブ 抵 抗			01
R251	RD45000R	CARBON RESISTOR (CHIP)	0.00 63M J RECT.	チ	ッ	ブ 抵 抗			01
-253	RD45000R	CARBON RESISTOR (CHIP)	0.00 63M J RECT.	チ	ッ	ブ 抵 抗			01
* R254	RA156220	METAL FILM RESISTOR (CHIP)	2.2K 63M D RECT.	チ	ッ	ブ 金 被 抵 抗			01
* -257	RA156220	METAL FILM RESISTOR (CHIP)	2.2K 63M D RECT.	チ	ッ	ブ 金 被 抵 抗			01
* R351	RA156220	METAL FILM RESISTOR (CHIP)	2.2K 63M D RECT.	チ	ッ	ブ 金 被 抵 抗			01
* -354	RA156220	METAL FILM RESISTOR (CHIP)	2.2K 63M D RECT.	チ	ッ	ブ 金 被 抵 抗			01
R355	RD45000R	CARBON RESISTOR (CHIP)	0.00 63M J RECT.	チ	ッ	ブ 抵 抗			01
-357	RD45000R	CARBON RESISTOR (CHIP)	0.00 63M J RECT.	チ	ッ	ブ 抵 抗			01
* R451	RA156220	METAL FILM RESISTOR (CHIP)	2.2K 63M D RECT.	チ	ッ	ブ 金 被 抵 抗			01
* -453	RA156220	METAL FILM RESISTOR (CHIP)	2.2K 63M D RECT.	チ	ッ	ブ 金 被 抵 抗			01
R454	RD45000R	CARBON RESISTOR (CHIP)	0.00 63M J RECT.	チ	ッ	ブ 抵 抗			01
-456	RD45000R	CARBON RESISTOR (CHIP)	0.00 63M J RECT.	チ	ッ	ブ 抵 抗			01
R457	RD454220	CARBON RESISTOR (CHIP)	22.0 63M J RECT.	チ	ッ	ブ 抵 抗			01
R458	RD454220	CARBON RESISTOR (CHIP)	22.0 63M J RECT.	チ	ッ	ブ 抵 抗			01
R463	RD45000R	CARBON RESISTOR (CHIP)	0.00 63M J RECT.	チ	ッ	ブ 抵 抗			01
-465	RD45000R	CARBON RESISTOR (CHIP)	0.00 63M J RECT.	チ	ッ	ブ 抵 抗			01
R466	RD454220	CARBON RESISTOR (CHIP)	22.0 63M J RECT.	チ	ッ	ブ 抵 抗			01
R467	RD454220	CARBON RESISTOR (CHIP)	22.0 63M J RECT.	チ	ッ	ブ 抵 抗			01
R551	RD456220	CARBON RESISTOR (CHIP)	2.2K 63M J RECT.	チ	ッ	ブ 抵 抗			01
R552	RD454220	CARBON RESISTOR (CHIP)	22.0 63M J RECT.	チ	ッ	ブ 抵 抗			01
R553	RD454220	CARBON RESISTOR (CHIP)	22.0 63M J RECT.	チ	ッ	ブ 抵 抗			01
R554	RD45000R	CARBON RESISTOR (CHIP)	0.00 63M J RECT.	チ	ッ	ブ 抵 抗			01
R555	RD456470	CARBON RESISTOR (CHIP)	4.7K 63M J RECT.	チ	ッ	ブ 抵 抗			01
R556	RD456470	CARBON RESISTOR (CHIP)	4.7K 63M J RECT.	チ	ッ	ブ 抵 抗			01
R557	RD45000R	CARBON RESISTOR (CHIP)	0.00 63M J RECT.	チ	ッ	ブ 抵 抗			01
-564	RD45000R	CARBON RESISTOR (CHIP)	0.00 63M J RECT.	チ	ッ	ブ 抵 抗			01
R565	RD455330	CARBON RESISTOR (CHIP)	330.0 63M J RECT.	チ	ッ	ブ 抵 抗			01
R566	RD457100	CARBON RESISTOR (CHIP)	10.0K 63M J RECT.	チ	ッ	ブ 抵 抗			01
R567	RD45000R	CARBON RESISTOR (CHIP)	0.00 63M J RECT.	チ	ッ	ブ 抵 抗			01
-600	RD45000R	CARBON RESISTOR (CHIP)	0.00 63M J RECT.	チ	ッ	ブ 抵 抗			01

*: New Parts

RANK: Japan only

DSP

REF NO.	PART NO.	DESCRIPTION	部	品	名	REMARKS	QTY	RANK
R601	RD457150	CARBON RESISTOR (CHIP)	15.0K	63M	J RECT.	チ ッ プ 抵 抗		01
R602	RA157470	METAL FILM RESISTOR (CHIP)	47.0K	63M	DRECT.	チ ッ プ 金 被 抵 抗		01
-604	RA157470	METAL FILM RESISTOR (CHIP)	47.0K	63M	DRECT.	チ ッ プ 金 被 抵 抗		01
R605	RD458330	CARBON RESISTOR (CHIP)	330.0K	63M	J RECT.	チ ッ プ 抵 抗		01
R606	RD45747R	CARBON RESISTOR (CHIP)	47.0K	63M	J RECT.	チ ッ プ 抵 抗		01
R609	RD454220	CARBON RESISTOR (CHIP)	22.0	63M	J RECT.	チ ッ プ 抵 抗		01
R612	RD454220	CARBON RESISTOR (CHIP)	22.0	63M	J RECT.	チ ッ プ 抵 抗		01
R613	RD455100	CARBON RESISTOR (CHIP)	100.0	63M	J RECT.	チ ッ プ 抵 抗		01
R614	RD455100	CARBON RESISTOR (CHIP)	100.0	63M	J RECT.	チ ッ プ 抵 抗		01
R615	RD454220	CARBON RESISTOR (CHIP)	22.0	63M	J RECT.	チ ッ プ 抵 抗		01
R618	RD454220	CARBON RESISTOR (CHIP)	22.0	63M	J RECT.	チ ッ プ 抵 抗		01
R619	RD45000R	CARBON RESISTOR (CHIP)	0.00	63M	J RECT.	チ ッ プ 抵 抗		01
R651	RD457100	CARBON RESISTOR (CHIP)	10.0K	63M	J RECT.	チ ッ プ 抵 抗		01
R652	RA155330	METAL FILM RESISTOR (CHIP)	330.0	63M	D RECT.	チ ッ プ 金 被 抵 抗		01
* R653	RA156220	METAL FILM RESISTOR (CHIP)	2.2K	63M	D RECT.	チ ッ プ 金 被 抵 抗		01
R654	RA156100	METAL FILM RESISTOR (CHIP)	1.0K	63M	D RECT.	チ ッ プ 金 被 抵 抗		01
R655	RD457100	CARBON RESISTOR (CHIP)	10.0K	63M	J RECT.	チ ッ プ 抵 抗		01
R656	RD45000R	CARBON RESISTOR (CHIP)	0.00	63M	J RECT.	チ ッ プ 抵 抗		01
R657	RD456220	CARBON RESISTOR (CHIP)	2.2K	63M	J RECT.	チ ッ プ 抵 抗		01
R658	RD457100	CARBON RESISTOR (CHIP)	10.0K	63M	J RECT.	チ ッ プ 抵 抗		01
R659	RD457100	CARBON RESISTOR (CHIP)	10.0K	63M	J RECT.	チ ッ プ 抵 抗		01
R660	RD456470	CARBON RESISTOR (CHIP)	4.7K	63M	J RECT.	チ ッ プ 抵 抗		01
R661	RD456470	CARBON RESISTOR (CHIP)	4.7K	63M	J RECT.	チ ッ プ 抵 抗		01
R662	RD45615R	CARBON RESISTOR (CHIP)	1.5K	63M	J RECT.	チ ッ プ 抵 抗		01
R664	RD45000R	CARBON RESISTOR (CHIP)	0.00	63M	J RECT.	チ ッ プ 抵 抗		01
R665	RD45747R	CARBON RESISTOR (CHIP)	47.0K	63M	J RECT.	チ ッ プ 抵 抗		01
R666	RD454470	CARBON RESISTOR (CHIP)	47.0	63M	J RECT.	チ ッ プ 抵 抗		01
R667	RD45000R	CARBON RESISTOR (CHIP)	0.00	63M	J RECT.	チ ッ プ 抵 抗		01
R668	RD454470	CARBON RESISTOR (CHIP)	47.0	63M	J RECT.	チ ッ プ 抵 抗		01
R669	RD454470	CARBON RESISTOR (CHIP)	47.0	63M	J RECT.	チ ッ プ 抵 抗		01
R670	RD456100	CARBON RESISTOR (CHIP)	1.0K	63M	J RECT.	チ ッ プ 抵 抗		01
R671	RD456470	CARBON RESISTOR (CHIP)	4.7K	63M	J RECT.	チ ッ プ 抵 抗		01
R672	RD456470	CARBON RESISTOR (CHIP)	4.7K	63M	J RECT.	チ ッ プ 抵 抗		01
R673	RD45747R	CARBON RESISTOR (CHIP)	47.0K	63M	J RECT.	チ ッ プ 抵 抗		01
R701	RD45000R	CARBON RESISTOR (CHIP)	0.00	63M	J RECT.	チ ッ プ 抵 抗		01
R702	RD454470	CARBON RESISTOR (CHIP)	47.0	63M	J RECT.	チ ッ プ 抵 抗		01
-713	RD454470	CARBON RESISTOR (CHIP)	47.0	63M	J RECT.	チ ッ プ 抵 抗		01
R714	RD456100	CARBON RESISTOR (CHIP)	1.0K	63M	J RECT.	チ ッ プ 抵 抗		01
-721	RD456100	CARBON RESISTOR (CHIP)	1.0K	63M	J RECT.	チ ッ プ 抵 抗		01
R722	RD454470	CARBON RESISTOR (CHIP)	47.0	63M	J RECT.	チ ッ プ 抵 抗		01
-727	RD454470	CARBON RESISTOR (CHIP)	47.0	63M	J RECT.	チ ッ プ 抵 抗		01
R728	RD456100	CARBON RESISTOR (CHIP)	1.0K	63M	J RECT.	チ ッ プ 抵 抗		01
-731	RD456100	CARBON RESISTOR (CHIP)	1.0K	63M	J RECT.	チ ッ プ 抵 抗		01
R751	RD45000R	CARBON RESISTOR (CHIP)	0.00	63M	J RECT.	チ ッ プ 抵 抗		01
R752	RD457100	CARBON RESISTOR (CHIP)	10.0K	63M	J RECT.	チ ッ プ 抵 抗		01
R753	RD45747R	CARBON RESISTOR (CHIP)	47.0K	63M	J RECT.	チ ッ プ 抵 抗		01
R754	RD454470	CARBON RESISTOR (CHIP)	47.0	63M	J RECT.	チ ッ プ 抵 抗		01
-758	RD454470	CARBON RESISTOR (CHIP)	47.0	63M	J RECT.	チ ッ プ 抵 抗		01
R759	RD454220	CARBON RESISTOR (CHIP)	22.0	63M	J RECT.	チ ッ プ 抵 抗		01
-766	RD454220	CARBON RESISTOR (CHIP)	22.0	63M	J RECT.	チ ッ プ 抵 抗		01
R767	RD454470	CARBON RESISTOR (CHIP)	47.0	63M	J RECT.	チ ッ プ 抵 抗		01
-771	RD454470	CARBON RESISTOR (CHIP)	47.0	63M	J RECT.	チ ッ プ 抵 抗		01
R772	RD454220	CARBON RESISTOR (CHIP)	22.0	63M	J RECT.	チ ッ プ 抵 抗		01
-785	RD454220	CARBON RESISTOR (CHIP)	22.0	63M	J RECT.	チ ッ プ 抵 抗		01
R788	RD454680	CARBON RESISTOR (CHIP)	68.0	63M	J RECT.	チ ッ プ 抵 抗		01
-803	RD454680	CARBON RESISTOR (CHIP)	68.0	63M	J RECT.	チ ッ プ 抵 抗		01
R804	RD454470	CARBON RESISTOR (CHIP)	47.0	63M	J RECT.	チ ッ プ 抵 抗		01
-809	RD454470	CARBON RESISTOR (CHIP)	47.0	63M	J RECT.	チ ッ プ 抵 抗		01
R810	RD457100	CARBON RESISTOR (CHIP)	10.0K	63M	J RECT.	チ ッ プ 抵 抗		01
-812	RD457100	CARBON RESISTOR (CHIP)	10.0K	63M	J RECT.	チ ッ プ 抵 抗		01
R851	RD45747R	CARBON RESISTOR (CHIP)	47.0K	63M	J RECT.	チ ッ プ 抵 抗		01
R852	RD457100	CARBON RESISTOR (CHIP)	10.0K	63M	J RECT.	チ ッ プ 抵 抗		01
R853	RD454220	CARBON RESISTOR (CHIP)	22.0	63M	J RECT.	チ ッ プ 抵 抗		01
R854	RD455100	CARBON RESISTOR (CHIP)	100.0	63M	J RECT.	チ ッ プ 抵 抗		01
-856	RD455100	CARBON RESISTOR (CHIP)	100.0	63M	J RECT.	チ ッ プ 抵 抗		01
R857	RD454470	CARBON RESISTOR (CHIP)	47.0	63M	J RECT.	チ ッ プ 抵 抗		01
R858	RD454220	CARBON RESISTOR (CHIP)	22.0	63M	J RECT.	チ ッ プ 抵 抗		01
R859	RD45000R	CARBON RESISTOR (CHIP)	0.00	63M	J RECT.	チ ッ プ 抵 抗		01
R871	RD45000R	CARBON RESISTOR (CHIP)	0.00	63M	J RECT.	チ ッ プ 抵 抗		01
R872	RD45000R	CARBON RESISTOR (CHIP)	0.00	63M	J RECT.	チ ッ プ 抵 抗		01

*: New Parts

RANK: Japan only

DSP and FD2/FD8CN

REF NO.	PART NO.	DESCRIPTION		部 品 名	REMARKS	QTY	RANK
R873	RD455100	CARBON RESISTOR (CHIP)	100.0 63M J RECT.	チ ッ プ 抵 抗			01
R874	RD454470	CARBON RESISTOR (CHIP)	47.0 63M J RECT.	チ ッ プ 抵 抗			01
-876	RD454470	CARBON RESISTOR (CHIP)	47.0 63M J RECT.	チ ッ プ 抵 抗			01
R877	RD45000R	CARBON RESISTOR (CHIP)	0.00 63M J RECT.	チ ッ プ 抵 抗			01
-879	RD45000R	CARBON RESISTOR (CHIP)	0.00 63M J RECT.	チ ッ プ 抵 抗			01
R901	RD45000R	CARBON RESISTOR (CHIP)	0.00 63M J RECT.	チ ッ プ 抵 抗			01
R902	RD45000R	CARBON RESISTOR (CHIP)	0.00 63M J RECT.	チ ッ プ 抵 抗			01
R903	RD454470	CARBON RESISTOR (CHIP)	47.0 63M J RECT.	チ ッ プ 抵 抗			01
R904	RD454470	CARBON RESISTOR (CHIP)	47.0 63M J RECT.	チ ッ プ 抵 抗			01
R905	RD455100	CARBON RESISTOR (CHIP)	100.0 63M J RECT.	チ ッ プ 抵 抗			01
R906	RD45000R	CARBON RESISTOR (CHIP)	0.00 63M J RECT.	チ ッ プ 抵 抗			01
R921	RD45000R	CARBON RESISTOR (CHIP)	0.00 63M J RECT.	チ ッ プ 抵 抗			01
R922	RD45000R	CARBON RESISTOR (CHIP)	0.00 63M J RECT.	チ ッ プ 抵 抗			01
R923	RD455100	CARBON RESISTOR (CHIP)	100.0 63M J RECT.	チ ッ プ 抵 抗			01
R924	RD454470	CARBON RESISTOR (CHIP)	47.0 63M J RECT.	チ ッ プ 抵 抗			01
R925	RD454470	CARBON RESISTOR (CHIP)	47.0 63M J RECT.	チ ッ プ 抵 抗			01
R926	RD45000R	CARBON RESISTOR (CHIP)	0.00 63M J RECT.	チ ッ プ 抵 抗			01
-929	RD45000R	CARBON RESISTOR (CHIP)	0.00 63M J RECT.	チ ッ プ 抵 抗			01
R941	RD45747R	CARBON RESISTOR (CHIP)	47.0K 63M J RECT.	チ ッ プ 抵 抗			01
R961	RA157100	METAL FILM RESISTOR (CHIP)	10.0K 63M D RECT.	チ ッ プ 金 被 抵 抗			01
R962	RA156560	METAL FILM RESISTOR (CHIP)	5.6K 63M D RECT.	チ ッ プ 金 被 抵 抗			01
R963	RD456680	CARBON RESISTOR (CHIP)	6.8K 63M J RECT.	チ ッ プ 抵 抗			01
R964	RD454220	CARBON RESISTOR (CHIP)	22.0 63M J RECT.	チ ッ プ 抵 抗			01
R965	RA157100	METAL FILM RESISTOR (CHIP)	10.0K 63M D RECT.	チ ッ プ 金 被 抵 抗			01
R966	RA156560	METAL FILM RESISTOR (CHIP)	5.6K 63M D RECT.	チ ッ プ 金 被 抵 抗			01
R967	RD456680	CARBON RESISTOR (CHIP)	6.8K 63M J RECT.	チ ッ プ 抵 抗			01
R968	RD454220	CARBON RESISTOR (CHIP)	22.0 63M J RECT.	チ ッ プ 抵 抗			01
RA101	WH205400	RESISTOR ARRAY	22 X 4	抵 抗 ア レ イ			01
-112	WH205400	RESISTOR ARRAY	22 X 4	抵 抗 ア レ イ			01
RA113	WH211800	RESISTOR ARRAY	10K X 4	抵 抗 ア レ イ			01
-128	WH211800	RESISTOR ARRAY	10K X 4	抵 抗 ア レ イ			01
RA151	WH213400	RESISTOR ARRAY	47K X 4	抵 抗 ア レ イ			01
-156	WH213400	RESISTOR ARRAY	47K X 4	抵 抗 ア レ イ			01
RA451	WH205400	RESISTOR ARRAY	22 X 4	抵 抗 ア レ イ			01
-456	WH205400	RESISTOR ARRAY	22 X 4	抵 抗 ア レ イ			01
RA551	WH205400	RESISTOR ARRAY	22 X 4	抵 抗 ア レ イ			01
-559	WH205400	RESISTOR ARRAY	22 X 4	抵 抗 ア レ イ			01
RA651	WH211800	RESISTOR ARRAY	10K X 4	抵 抗 ア レ イ			01
-655	WH211800	RESISTOR ARRAY	10K X 4	抵 抗 ア レ イ			01
RA701	WH209400	RESISTOR ARRAY	1.0K X 4	抵 抗 ア レ イ			01
RA751	WH211800	RESISTOR ARRAY	10K X 4	抵 抗 ア レ イ			01
-759	WH211800	RESISTOR ARRAY	10K X 4	抵 抗 ア レ イ			01
RA851	WH205400	RESISTOR ARRAY	22 X 4	抵 抗 ア レ イ			01
RA871	WH211800	RESISTOR ARRAY	10K X 4	抵 抗 ア レ イ			01
RA941	WH213400	RESISTOR ARRAY	47K X 4	抵 抗 ア レ イ			01
X151	WM885800	RESONATOR QUARTZ	45.1584MHz SG-310SCF	水 晶 発 振 器			03
X152	WM885900	RESONATOR QUARTZ	49.152MHz SG-310SCN	水 晶 発 振 器			03
X251	WY795800	RESONATOR QUARTZ	60MHz DSO321SBM	水 晶 発 振 器			03
X651	WG967900	QUARTZ CRYSTAL UNIT	16MHz SG-310SCF	水 晶 振 動 器			04
* *	WY643300	CIRCUIT BOARD	FD2 (FDCOM)	F D 2 シ ー ト	(WY83040)(YD586D0)		
	WY643200	CIRCUIT BOARD	FD8CN (FDCOM)	F D 8 C N シ ー ト	(WY83040)(YD586D0)		
	WE96230R	FLAT HEAD SCREW	3.0X4 MFN2W3	小 ネ ジ + F L A T		20	01
	--	FD8 ANGLE	1.0 Z	F D 8 ア ン グ ル	(WY46790)	2	
	--	FD2 ANGLE	1.0 Z	F D 2 ア ン グ ル	(WY46800)	2	
C901	US635100	CERAMIC CAPACITOR (CHIP)	0.100 16V Z RECT.	チ ッ プ セ ラ (F)			01
C902	US126100	CERAMIC CAPACITOR (CHIP)	1.0000 10V Z RECT.	チ ッ プ セ ラ F			01
C903	WQ841000	MONOLITHIC CERAMIC CAP(CHIP)	100.000 6.3V M KAK	チ ッ プ 積 層 セ ラ コ ン			
C904	WQ841000	MONOLITHIC CERAMIC CAP(CHIP)	100.000 6.3V M KAK	チ ッ プ 積 層 セ ラ コ ン			
C905	US635100	CERAMIC CAPACITOR (CHIP)	0.100 16V Z RECT.	チ ッ プ セ ラ (F)			01
C906	US635100	CERAMIC CAPACITOR (CHIP)	0.100 16V Z RECT.	チ ッ プ セ ラ (F)			01
C910	WQ841000	MONOLITHIC CERAMIC CAP(CHIP)	100.000 6.3V M KAK	チ ッ プ 積 層 セ ラ コ ン			
C911	US635100	CERAMIC CAPACITOR (CHIP)	0.100 16V Z RECT.	チ ッ プ セ ラ (F)			01
-921	US635100	CERAMIC CAPACITOR (CHIP)	0.100 16V Z RECT.	チ ッ プ セ ラ (F)			01
C922	US663100	CERAMIC CAPACITOR (CHIP)	1000P 50V K RECT.	チ ッ プ セ ラ (B)			01
C923	US635100	CERAMIC CAPACITOR (CHIP)	0.100 16V Z RECT.	チ ッ プ セ ラ (F)			01
C925	US663100	CERAMIC CAPACITOR (CHIP)	1000P 50V K RECT.	チ ッ プ セ ラ (B)			01
-931	US663100	CERAMIC CAPACITOR (CHIP)	1000P 50V K RECT.	チ ッ プ セ ラ (B)			01
C932	US635100	CERAMIC CAPACITOR (CHIP)	0.100 16V Z RECT.	チ ッ プ セ ラ (F)			01
C933	US635100	CERAMIC CAPACITOR (CHIP)	0.100 16V Z RECT.	チ ッ プ セ ラ (F)			01

*: New Parts

RANK: Japan only

FD2/FD8CN

REF NO.	PART NO.	DESCRIPTION	部 品 名	REMARKS	QTY	RANK
C934	US126100	CERAMIC CAPACITOR (CHIP)	1.0000 10V Z RECT.	チップセラ F		01
C935	US126100	CERAMIC CAPACITOR (CHIP)	1.0000 10V Z RECT.	チップセラ F		01
C936	WD758300	CERAMIC CAPACITOR (CHIP)	10U 10V K RECT.	チップセラ		01
C937	US635100	CERAMIC CAPACITOR (CHIP)	0.100 16V Z RECT.	チップセラ (F)		01
C938	US663100	CERAMIC CAPACITOR (CHIP)	1000P 50V K RECT.	チップセラ (B)		01
C939	US635100	CERAMIC CAPACITOR (CHIP)	0.100 16V Z RECT.	チップセラ (F)		01
C940	WN991700	MONOLITHIC CERAMIC CAP(CHIP)	2.200 100V K 3225	チップ積層セラコン		03
C941	WN991700	MONOLITHIC CERAMIC CAP(CHIP)	2.200 100V K 3225	チップ積層セラコン		03
C942	WG863700	MONOLITHIC CERAMIC CAP(CHIP)	1.0 50V B RX TP	チップ積層セラコン		01
C943	US064100	CERAMIC CAPACITOR (CHIP)	0.0100 50V K RECT.	チップセラ (B)		01
C944	US662220	CERAMIC CAPACITOR (CHIP)	220P 50V K RECT.	チップセラ (B)		01
C945	WC87110R	MONOLITHIC CERAMIC CAP(CHIP)	GRM32EB31C226KE16L	チップ積層セラコン		02
C946	WC87110R	MONOLITHIC CERAMIC CAP(CHIP)	GRM32EB31C226KE16L	チップ積層セラコン		02
C947	WM489900	CERAMIC CAPACITOR (CHIP)	10.0000 35V M KAKU	チップセラコン		01
C951	US635100	CERAMIC CAPACITOR (CHIP)	0.100 16V Z RECT.	チップセラ (F)		01
C952	US635100	CERAMIC CAPACITOR (CHIP)	0.100 16V Z RECT.	チップセラ (F)		01
C953	WF547900	CERAMIC CAPACITOR (CHIP)	10.000 25V K KAKUT	チップセラ		01
C954	US635100	CERAMIC CAPACITOR (CHIP)	0.100 16V Z RECT.	チップセラ (F)		01
C955	US635100	CERAMIC CAPACITOR (CHIP)	0.100 16V Z RECT.	チップセラ (F)		01
C956	WF547900	CERAMIC CAPACITOR (CHIP)	10.000 25V K KAKUT	チップセラ		01
C957	US635100	CERAMIC CAPACITOR (CHIP)	0.100 16V Z RECT.	チップセラ (F)		01
C958	US635100	CERAMIC CAPACITOR (CHIP)	0.100 16V Z RECT.	チップセラ (F)		01
C959	WF547900	CERAMIC CAPACITOR (CHIP)	10.000 25V K KAKUT	チップセラ		01
C960	US635100	CERAMIC CAPACITOR (CHIP)	0.100 16V Z RECT.	チップセラ (F)		01
C961	US635100	CERAMIC CAPACITOR (CHIP)	0.100 16V Z RECT.	チップセラ (F)		01
C962	WF547900	CERAMIC CAPACITOR (CHIP)	10.000 25V K KAKUT	チップセラ		01
C963	US635100	CERAMIC CAPACITOR (CHIP)	0.100 16V Z RECT.	チップセラ (F)		01
C964	US635100	CERAMIC CAPACITOR (CHIP)	0.100 16V Z RECT.	チップセラ (F)		01
C965	WF547900	CERAMIC CAPACITOR (CHIP)	10.000 25V K KAKUT	チップセラ		01
C966	US635100	CERAMIC CAPACITOR (CHIP)	0.100 16V Z RECT.	チップセラ (F)		01
C967	WQ841000	MONOLITHIC CERAMIC CAP(CHIP)	100.000 6.3V M KAK	チップ積層セラコン		01
CN901	VB39030R	CONNECTOR	PH 7P TE	ベースポスト		01
CN902	VK02560R	WIRE TRAP	52147 12P TE	ワイヤートラップ		01
CN903	VB39060R	CONNECTOR	PH 10P TE	ベースポスト		01
CN951	VK025200	WIRE TRAP	52147 8P TE	ワイヤートラップ		01
CN952	VK025200	WIRE TRAP	52147 8P TE	ワイヤートラップ		01
D901	VS59760R	DIODE (CHIP)	RB160L-40 TE25 TP	チップダイオード		01
D902	V2330500	SCHOTTKY BARRIER DIODE	DE5S4M	ショットキダイオード		03
DA901	WE97260R	ZENER DIODE	HZM6.2ZMFATR-E	ツェナーダイオード		01
EM901	ZC805200	EMI FILTER (CHIP)	31PT222Z1E9L TP	チップエミフィル		01
EM902	ZC805200	EMI FILTER (CHIP)	31PT222Z1E9L TP	チップエミフィル		01
* IC901	YE519100	IC	HD6433683E29FPV	I C	CPU (E-FDC)	05
IC902	XY806A0R	IC	TC7WH14FU(TE12L,F)	I C	INVERTER	02
* IC903	YD926A00	IC	EPM240T100C5N	I C	CPLD	01
IC904	X8398A00	IC	TC7SET08FU(T5L,JF)	I C	AND GATE	01
IC904	X0158A01	IC	SN74AHCT1G08DCKR	I C	}	01
IC904	YE492A00	IC	SN74AHCT1G08DCK3	I C		
IC905	X4964B00	IC	TC74VHC541FT(EL,K)	I C	BUFFER	02
IC906	X4964B00	IC	TC74VHC541FT(EL,K)	I C	BUFFER	02
IC907	XR680A00	IC	TC7SH08FU(TE85L,JF)	I C	AND	01
IC907	X3833A0R	IC	SN74AHC1G08DCKR	I C	}	01
IC907	X5896A00	IC	SN74LVC1G08DCKR	I C		
IC907	X5896B00	IC	SN74LVC1G08DCKR	I C		01
IC907	YA350A00	IC	74LVC1G08GW	I C		01
IC907	YE491A00	IC	SN74LVC1G08DCK3	I C		01
IC908	YA893A00	IC	RP102N331D-TR-F	I C	REGULATOR +3.3V	03
* IC909	YD635A00	IC	LM22678TJE-ADJ/NOP	I C	REGULATOR +8V	01
IC910	XR680A00	IC	TC7SH08FU(TE85L,JF)	I C	AND	01
IC910	X3833A0R	IC	SN74AHC1G08DCKR	I C		01
IC910	X5896A00	IC	SN74LVC1G08DCKR	I C		01
IC910	X5896B00	IC	SN74LVC1G08DCKR	I C	}	01
IC910	YA350A00	IC	74LVC1G08GW	I C		
IC910	YE491A00	IC	SN74LVC1G08DCK3	I C		01
IC911	XR680A00	IC	TC7SH08FU(TE85L,JF)	I C	AND	01
IC911	X3833A0R	IC	SN74AHC1G08DCKR	I C		01
IC911	X5896A00	IC	SN74LVC1G08DCKR	I C	}	01
IC911	X5896B00	IC	SN74LVC1G08DCKR	I C		
IC911	YA350A00	IC	74LVC1G08GW	I C		01
IC911	YE491A00	IC	SN74LVC1G08DCK3	I C		01
IC951	X6976A00	IC	SN74LV4052APWR	I C	MULTIPLEXER	03

*: New Parts

RANK: Japan only

FD2/FD8CN and FD8

REF NO.	PART NO.	DESCRIPTION		部 品 名	REMARKS	QTY	RANK
* IC952	YC879A00	IC	TB6552FNG(O,EL)	IC	MOTOR DRIVER		
* -956	YC879A00	IC	TB6552FNG(O,EL)	IC	MOTOR DRIVER		
L901	WB24830R	INDUCTOR (CHIP)	BLM18RK121SN1D	チップインダクタ			01
L902	WB24830R	INDUCTOR (CHIP)	BLM18RK121SN1D	チップインダクタ			01
L903	V3232700	INDUCTOR (CHIP)	120uH	チップインダクタ			01
L904	V3232700	INDUCTOR (CHIP)	120uH	チップインダクタ			01
* L905	ZC166200	INDUCTOR (CHIP)	6.8uH FDVE1040-6R8M	チップインダクタ			
R901	RD357100	CARBON RESISTOR (CHIP)	10.0K 63M J RECT.	チップ抵抗			01
R902	RD356100	CARBON RESISTOR (CHIP)	1.0K 63M J RECT.	チップ抵抗			01
R903	RD354470	CARBON RESISTOR (CHIP)	47.0 63M J RECT.	チップ抵抗			01
-905	RD354470	CARBON RESISTOR (CHIP)	47.0 63M J RECT.	チップ抵抗			01
R906	RD356470	CARBON RESISTOR (CHIP)	4.7K 63M J RECT.	チップ抵抗			01
R907	RD356470	CARBON RESISTOR (CHIP)	4.7K 63M J RECT.	チップ抵抗			01
R909	RD354470	CARBON RESISTOR (CHIP)	47.0 63M J RECT.	チップ抵抗			01
R910	RD355100	CARBON RESISTOR (CHIP)	100.0 63M J RECT.	チップ抵抗			01
R911	RD354470	CARBON RESISTOR (CHIP)	47.0 63M J RECT.	チップ抵抗			01
R912	RD356470	CARBON RESISTOR (CHIP)	4.7K 63M J RECT.	チップ抵抗			01
R913	RD356100	CARBON RESISTOR (CHIP)	1.0K 63M J RECT.	チップ抵抗			01
R914	RD356470	CARBON RESISTOR (CHIP)	4.7K 63M J RECT.	チップ抵抗			01
R915	RD356470	CARBON RESISTOR (CHIP)	4.7K 63M J RECT.	チップ抵抗			01
R916	RD356100	CARBON RESISTOR (CHIP)	1.0K 63M J RECT.	チップ抵抗			01
R917	RD356100	CARBON RESISTOR (CHIP)	1.0K 63M J RECT.	チップ抵抗			01
R918	RD355100	CARBON RESISTOR (CHIP)	100.0 63M J RECT.	チップ抵抗			01
R925	RA156100	METAL FILM RESISTOR (CHIP)	1.0K 63M D RECT.	チップ金被抵抗			01
R926	RA156560	METAL FILM RESISTOR (CHIP)	5.6K 63M D RECT.	チップ金被抵抗			
* R927	RA157820	METAL FILM RESISTOR (CHIP)	82.0K 63M D RECT.	チップ金被抵抗			
R928	RA156100	METAL FILM RESISTOR (CHIP)	1.0K 63M D RECT.	チップ金被抵抗			01
R929	RD354470	CARBON RESISTOR (CHIP)	47.0 63M J RECT.	チップ抵抗			01
-931	RD354470	CARBON RESISTOR (CHIP)	47.0 63M J RECT.	チップ抵抗			01
R933	RD354470	CARBON RESISTOR (CHIP)	47.0 63M J RECT.	チップ抵抗			01
-941	RD354470	CARBON RESISTOR (CHIP)	47.0 63M J RECT.	チップ抵抗			01
R942	RD350001	CARBON RESISTOR (CHIP)	0 63M J RECT.	チップ抵抗			01
R953	RD15510R	CARBON RESISTOR (CHIP)	100.0 1/4 J TP	チップ抵抗			01
-962	RD15510R	CARBON RESISTOR (CHIP)	100.0 1/4 J TP	チップ抵抗			01
RA901	WH210200	RESISTOR ARRAY	2.2K X 4	抵抗アレイ			01
RA902	WH206200	RESISTOR ARRAY	47 X 4	抵抗アレイ			01
-905	WH206200	RESISTOR ARRAY	47 X 4	抵抗アレイ			01
RA906	WH211000	RESISTOR ARRAY	4.7K X 4	抵抗アレイ			01
-908	WH211000	RESISTOR ARRAY	4.7K X 4	抵抗アレイ			01
RA909	WH207000	RESISTOR ARRAY	100 X 4	抵抗アレイ			01
RA910	WH207000	RESISTOR ARRAY	100 X 4	抵抗アレイ			01
RA911	WH206200	RESISTOR ARRAY	47 X 4	抵抗アレイ			01
-914	WH206200	RESISTOR ARRAY	47 X 4	抵抗アレイ			01
RA915	WH211000	RESISTOR ARRAY	4.7K X 4	抵抗アレイ			01
-917	WH211000	RESISTOR ARRAY	4.7K X 4	抵抗アレイ			01
SW902	WM891201	SLIDE SWITCH	CHS-04TA2	ジャンパーSW			05
* VR951	ZE340900	DUST PROOF FADER	RSA0N11M9A0Q B 10K	防塵フェーダー			
* VR952	ZE340900	DUST PROOF FADER	RSA0N11M9A0Q B 10K	防塵フェーダー			
* VR953	ZE340900	DUST PROOF FADER	RSA0N11M9A0Q B 10K	防塵フェーダー			
* VR954	ZE340900	DUST PROOF FADER	RSA0N11M9A0Q B 10K	防塵フェーダー			
* VR955	ZE340900	DUST PROOF FADER	RSA0N11M9A0Q B 10K	防塵フェーダー			
* VR956	ZE340900	DUST PROOF FADER	RSA0N11M9A0Q B 10K	防塵フェーダー			
* VR957	ZE340900	DUST PROOF FADER	RSA0N11M9A0Q B 10K	防塵フェーダー			
* VR958	ZE340900	DUST PROOF FADER	RSA0N11M9A0Q B 10K	防塵フェーダー			
* VR959	ZE340900	DUST PROOF FADER	RSA0N11M9A0Q B 10K	防塵フェーダー			
* VR960	ZE340900	DUST PROOF FADER	RSA0N11M9A0Q B 10K	防塵フェーダー			
X901	WG164400	QUARTZ CRYSTAL UNIT	20.000MHz DSO321SV	水晶発振器			04
* --	WY830500	CIRCUIT BOARD	FD8	FD8シート	(YD586D0)		
	WE96230R	FLAT HEAD SCREW	3.0X4 MFZN2W3	小ネジ+FLAT		16	01
	--	FD8 ANGLE	1.0 Z	FD8アングル	(WY46790)	2	
C901	US635100	CERAMIC CAPACITOR (CHIP)	0.100 16V Z RECT.	チップセラ(F)			01
C902	US126100	CERAMIC CAPACITOR (CHIP)	1.0000 10V Z RECT.	チップセラ(F)			01
C903	WQ841000	MONOLITHIC CERAMIC CAP(CHIP)	100.000 6.3V M KAK	チップ積層セラコン			
C904	WQ841000	MONOLITHIC CERAMIC CAP(CHIP)	100.000 6.3V M KAK	チップ積層セラコン			
C905	US635100	CERAMIC CAPACITOR (CHIP)	0.100 16V Z RECT.	チップセラ(F)			01
C906	US635100	CERAMIC CAPACITOR (CHIP)	0.100 16V Z RECT.	チップセラ(F)			01
C910	WQ841000	MONOLITHIC CERAMIC CAP(CHIP)	100.000 6.3V M KAK	チップ積層セラコン			
C911	US635100	CERAMIC CAPACITOR (CHIP)	0.100 16V Z RECT.	チップセラ(F)			01
-921	US635100	CERAMIC CAPACITOR (CHIP)	0.100 16V Z RECT.	チップセラ(F)			01

*: New Parts

RANK: Japan only

FD8

REF NO.	PART NO.	DESCRIPTION	部 品 名	REMARKS	QTY	RANK
C922	US663100	CERAMIC CAPACITOR (CHIP)	1000P 50V K RECT.	チップセラ (B)		01
C923	US635100	CERAMIC CAPACITOR (CHIP)	0.100 16V Z RECT.	チップセラ (F)		01
C925	US663100	CERAMIC CAPACITOR (CHIP)	1000P 50V K RECT.	チップセラ (B)		01
-931	US663100	CERAMIC CAPACITOR (CHIP)	1000P 50V K RECT.	チップセラ (B)		01
C932	US635100	CERAMIC CAPACITOR (CHIP)	0.100 16V Z RECT.	チップセラ (F)		01
C933	US635100	CERAMIC CAPACITOR (CHIP)	0.100 16V Z RECT.	チップセラ (F)		01
C934	US126100	CERAMIC CAPACITOR (CHIP)	1.0000 10V Z RECT.	チップセラ F		01
C935	US126100	CERAMIC CAPACITOR (CHIP)	1.0000 10V Z RECT.	チップセラ F		01
C936	WD758300	CERAMIC CAPACITOR (CHIP)	10U 10V K RECT.	チップセラ		01
C937	US635100	CERAMIC CAPACITOR (CHIP)	0.100 16V Z RECT.	チップセラ (F)		01
C938	US663100	CERAMIC CAPACITOR (CHIP)	1000P 50V K RECT.	チップセラ (B)		01
C939	US635100	CERAMIC CAPACITOR (CHIP)	0.100 16V Z RECT.	チップセラ (F)		01
C940	WN991700	MONOLITHIC CERAMIC CAP(CHIP)	2.200 100V K 3225	チップ積層セラコン		03
C941	WN991700	MONOLITHIC CERAMIC CAP(CHIP)	2.200 100V K 3225	チップ積層セラコン		03
C942	WG863700	MONOLITHIC CERAMIC CAP(CHIP)	1.0 50V B RX TP	チップ積層セラコン		01
C943	US064100	CERAMIC CAPACITOR (CHIP)	0.0100 50V K RECT.	チップセラ (B)		01
C944	US662220	CERAMIC CAPACITOR (CHIP)	220P 50V K RECT.	チップセラ (B)		01
C945	WC87110R	MONOLITHIC CERAMIC CAP(CHIP)	GRM32EB31C226KE16L	チップ積層セラコン		02
C946	WC87110R	MONOLITHIC CERAMIC CAP(CHIP)	GRM32EB31C226KE16L	チップ積層セラコン		02
C947	WM489900	CERAMIC CAPACITOR (CHIP)	10.0000 35V M KAKU	チップセラコン		01
C951	US635100	CERAMIC CAPACITOR (CHIP)	0.100 16V Z RECT.	チップセラ (F)		01
C952	US635100	CERAMIC CAPACITOR (CHIP)	0.100 16V Z RECT.	チップセラ (F)		01
C953	WF547900	CERAMIC CAPACITOR (CHIP)	10.000 25V K KAKUT	チップセラ		01
C954	US635100	CERAMIC CAPACITOR (CHIP)	0.100 16V Z RECT.	チップセラ (F)		01
C955	US635100	CERAMIC CAPACITOR (CHIP)	0.100 16V Z RECT.	チップセラ (F)		01
C956	WF547900	CERAMIC CAPACITOR (CHIP)	10.000 25V K KAKUT	チップセラ		01
C957	US635100	CERAMIC CAPACITOR (CHIP)	0.100 16V Z RECT.	チップセラ (F)		01
C958	US635100	CERAMIC CAPACITOR (CHIP)	0.100 16V Z RECT.	チップセラ (F)		01
C959	WF547900	CERAMIC CAPACITOR (CHIP)	10.000 25V K KAKUT	チップセラ		01
C960	US635100	CERAMIC CAPACITOR (CHIP)	0.100 16V Z RECT.	チップセラ (F)		01
C961	US635100	CERAMIC CAPACITOR (CHIP)	0.100 16V Z RECT.	チップセラ (F)		01
C962	WF547900	CERAMIC CAPACITOR (CHIP)	10.000 25V K KAKUT	チップセラ		01
C966	US635100	CERAMIC CAPACITOR (CHIP)	0.100 16V Z RECT.	チップセラ (F)		01
CN901	VB39030R	CONNECTOR	PH 7P TE	ベースポスト		01
CN902	VK02560R	WIRE TRAP	52147 12P TE	ワイヤートラップ		01
CN903	VB39060R	CONNECTOR	PH 10P TE	ベースポスト		01
D901	VS59760R	DIODE (CHIP)	RB160L-40 TE25 TP	チップダイオード		01
D902	V2330500	SCHOTTKY BARRIER DIODE	DE5S4M	ショットキダイオード		03
DA901	WE97260R	ZENER DIODE	HZM6.2ZMFATR-E	ツェナーダイオード		01
EM901	ZC805200	EMI FILTER (CHIP)	31PT222Z1E9L TP	チップエミフィル		01
EM902	ZC805200	EMI FILTER (CHIP)	31PT222Z1E9L TP	チップエミフィル		01
* IC901	YE519100	IC	HD6433683E29FPV	I C	CPU (E-FDC)	
IC902	XY806A0R	IC	TC7WH14FU(TE12L,F)	I C	INVERTER	02
* IC903	YD926A00	IC	EPM240T100C5N	I C	CPLD	
IC904	X8398A00	IC	TC7SET08FU(T5L,JF)	I C	AND GATE	01
IC904	X0158A01	IC	SN74AHCT1G08DCKR	I C	}	01
IC904	YE492A00	IC	SN74AHCT1G08DCK3	I C		
IC905	X4964B00	IC	TC74VHC541FT(EL,K)	I C	BUFFER	02
IC906	X4964B00	IC	TC74VHC541FT(EL,K)	I C	BUFFER	02
IC907	XR680A00	IC	TC7SH08FU(TE85L,JF)	I C	AND	01
IC907	X3833A0R	IC	SN74AHC1G08DCKR	I C	}	01
IC907	X5896A00	IC	SN74LVC1G08DCKR	I C		
IC907	X5896B00	IC	SN74LVC1G08DCKR	I C		01
IC907	YA350A00	IC	74LVC1G08GW	I C		01
IC907	YE491A00	IC	SN74LVC1G08DCK3	I C		01
IC908	YA893A00	IC	RP102N331D-TR-F	I C	REGULATOR +3.3V	03
* IC909	YD635A00	IC	LM22678TJE-ADJ/NOP	I C	REGULATOR +8V	
IC910	XR680A00	IC	TC7SH08FU(TE85L,JF)	I C	AND	01
IC910	X3833A0R	IC	SN74AHC1G08DCKR	I C		01
IC910	X5896A00	IC	SN74LVC1G08DCKR	I C		01
IC910	X5896B00	IC	SN74LVC1G08DCKR	I C		01
IC910	YA350A00	IC	74LVC1G08GW	I C		01
IC910	YE491A00	IC	SN74LVC1G08DCK3	I C	}	01
IC911	XR680A00	IC	TC7SH08FU(TE85L,JF)	I C		
IC911	X3833A0R	IC	SN74AHC1G08DCKR	I C		01
IC911	X5896A00	IC	SN74LVC1G08DCKR	I C	}	01
IC911	X5896B00	IC	SN74LVC1G08DCKR	I C		
IC911	YA350A00	IC	74LVC1G08GW	I C		01
IC911	YE491A00	IC	SN74LVC1G08DCK3	I C		01
IC951	X6976A00	IC	SN74LV4052APWR	I C	MULTIPLEXER	03

*: New Parts

RANK: Japan only

FD8 and FX

REF NO.	PART NO.	DESCRIPTION		部 品 名	REMARKS	QTY	RANK
* IC952	YC879A00	IC	TB6552FNG(O,EL)	IC	MOTOR DRIVER		
* -955	YC879A00	IC	TB6552FNG(O,EL)	IC	MOTOR DRIVER		
L901	WB24830R	INDUCTOR (CHIP)	BLM18RK121SN1D	チップインダクタ			01
L902	WB24830R	INDUCTOR (CHIP)	BLM18RK121SN1D	チップインダクタ			01
L903	V3232700	INDUCTOR (CHIP)	120uH	チップインダクタ			01
L904	V3232700	INDUCTOR (CHIP)	120uH	チップインダクタ			01
* L905	ZC166200	INDUCTOR (CHIP)	6.8uH FDVE1040-6R8M	チップインダクタ			
R901	RD357100	CARBON RESISTOR (CHIP)	10.0K 63M J RECT.	チップ抵抗			01
R902	RD356100	CARBON RESISTOR (CHIP)	1.0K 63M J RECT.	チップ抵抗			01
R903	RD354470	CARBON RESISTOR (CHIP)	47.0 63M J RECT.	チップ抵抗			01
-905	RD354470	CARBON RESISTOR (CHIP)	47.0 63M J RECT.	チップ抵抗			01
R906	RD356470	CARBON RESISTOR (CHIP)	4.7K 63M J RECT.	チップ抵抗			01
R907	RD356470	CARBON RESISTOR (CHIP)	4.7K 63M J RECT.	チップ抵抗			01
R909	RD354470	CARBON RESISTOR (CHIP)	47.0 63M J RECT.	チップ抵抗			01
R910	RD355100	CARBON RESISTOR (CHIP)	100.0 63M J RECT.	チップ抵抗			01
R911	RD354470	CARBON RESISTOR (CHIP)	47.0 63M J RECT.	チップ抵抗			01
R912	RD356470	CARBON RESISTOR (CHIP)	4.7K 63M J RECT.	チップ抵抗			01
R913	RD356100	CARBON RESISTOR (CHIP)	1.0K 63M J RECT.	チップ抵抗			01
R914	RD356470	CARBON RESISTOR (CHIP)	4.7K 63M J RECT.	チップ抵抗			01
R915	RD356470	CARBON RESISTOR (CHIP)	4.7K 63M J RECT.	チップ抵抗			01
R916	RD356100	CARBON RESISTOR (CHIP)	1.0K 63M J RECT.	チップ抵抗			01
R917	RD356100	CARBON RESISTOR (CHIP)	1.0K 63M J RECT.	チップ抵抗			01
R918	RD355100	CARBON RESISTOR (CHIP)	100.0 63M J RECT.	チップ抵抗			01
R925	RA156100	METAL FILM RESISTOR (CHIP)	1.0K 63M D RECT.	チップ金被抵抗			01
R926	RA156560	METAL FILM RESISTOR (CHIP)	5.6K 63M D RECT.	チップ金被抵抗			
* R927	RA157820	METAL FILM RESISTOR (CHIP)	82.0K 63M D RECT.	チップ金被抵抗			
R928	RA156100	METAL FILM RESISTOR (CHIP)	1.0K 63M D RECT.	チップ金被抵抗			01
R929	RD354470	CARBON RESISTOR (CHIP)	47.0 63M J RECT.	チップ抵抗			01
-931	RD354470	CARBON RESISTOR (CHIP)	47.0 63M J RECT.	チップ抵抗			01
R933	RD354470	CARBON RESISTOR (CHIP)	47.0 63M J RECT.	チップ抵抗			01
-941	RD354470	CARBON RESISTOR (CHIP)	47.0 63M J RECT.	チップ抵抗			01
R943	RD350001	CARBON RESISTOR (CHIP)	0 63M J RECT.	チップ抵抗			01
R951	RD350001	CARBON RESISTOR (CHIP)	0 63M J RECT.	チップ抵抗			01
R952	RD350001	CARBON RESISTOR (CHIP)	0 63M J RECT.	チップ抵抗			01
R953	RD15510R	CARBON RESISTOR (CHIP)	100.0 1/4 J TP	チップ抵抗			01
-960	RD15510R	CARBON RESISTOR (CHIP)	100.0 1/4 J TP	チップ抵抗			01
RA901	WH210200	RESISTOR ARRAY	2.2K X 4	抵抗アレイ			01
RA902	WH206200	RESISTOR ARRAY	47 X 4	抵抗アレイ			01
-905	WH206200	RESISTOR ARRAY	47 X 4	抵抗アレイ			01
RA906	WH211000	RESISTOR ARRAY	4.7K X 4	抵抗アレイ			01
-908	WH211000	RESISTOR ARRAY	4.7K X 4	抵抗アレイ			01
RA909	WH207000	RESISTOR ARRAY	100 X 4	抵抗アレイ			01
RA910	WH207000	RESISTOR ARRAY	100 X 4	抵抗アレイ			01
RA911	WH206200	RESISTOR ARRAY	47 X 4	抵抗アレイ			01
-914	WH206200	RESISTOR ARRAY	47 X 4	抵抗アレイ			01
RA915	WH211000	RESISTOR ARRAY	4.7K X 4	抵抗アレイ			01
-917	WH211000	RESISTOR ARRAY	4.7K X 4	抵抗アレイ			01
SW902	WM891201	SLIDE SWITCH	CHS-04TA2	ジャンパースW			05
* VR951	ZE340900	DUST PROOF FADER	RSA0N11M9A0Q B 10K	防塵フェーダー			
* VR952	ZE340900	DUST PROOF FADER	RSA0N11M9A0Q B 10K	防塵フェーダー			
* VR953	ZE340900	DUST PROOF FADER	RSA0N11M9A0Q B 10K	防塵フェーダー			
* VR954	ZE340900	DUST PROOF FADER	RSA0N11M9A0Q B 10K	防塵フェーダー			
* VR955	ZE340900	DUST PROOF FADER	RSA0N11M9A0Q B 10K	防塵フェーダー			
* VR956	ZE340900	DUST PROOF FADER	RSA0N11M9A0Q B 10K	防塵フェーダー			
* VR957	ZE340900	DUST PROOF FADER	RSA0N11M9A0Q B 10K	防塵フェーダー			
* VR958	ZE340900	DUST PROOF FADER	RSA0N11M9A0Q B 10K	防塵フェーダー			
X901	WG164400	QUARTZ CRYSTAL UNIT	20.000MHz DSO321SV	水晶発振器			04
*	WY635300	CIRCUIT BOARD	FX	FXシート	(YD585B0)		
C001	US635100	CERAMIC CAPACITOR (CHIP)	0.100 16V Z RECT.	チップセラ(F)			01
-031	US635100	CERAMIC CAPACITOR (CHIP)	0.100 16V Z RECT.	チップセラ(F)			01
C041	US635100	CERAMIC CAPACITOR (CHIP)	0.100 16V Z RECT.	チップセラ(F)			01
C042	US635100	CERAMIC CAPACITOR (CHIP)	0.100 16V Z RECT.	チップセラ(F)			01
C051	US635100	CERAMIC CAPACITOR (CHIP)	0.100 16V Z RECT.	チップセラ(F)			01
-066	US635100	CERAMIC CAPACITOR (CHIP)	0.100 16V Z RECT.	チップセラ(F)			01
C101	US635100	CERAMIC CAPACITOR (CHIP)	0.100 16V Z RECT.	チップセラ(F)			01
C102	WD758200	CERAMIC CAPACITOR (CHIP)	47U 6.3V M RECT.	チップセラ			01
C103	WD758200	CERAMIC CAPACITOR (CHIP)	47U 6.3V M RECT.	チップセラ			01
C104	US635100	CERAMIC CAPACITOR (CHIP)	0.100 16V Z RECT.	チップセラ(F)			01
-108	US635100	CERAMIC CAPACITOR (CHIP)	0.100 16V Z RECT.	チップセラ(F)			01

*: New Parts

RANK: Japan only

FX

REF NO.	PART NO.	DESCRIPTION	部 品 名	REMARKS	QTY	RANK
C109	US663100	CERAMIC CAPACITOR (CHIP)	1000P 50V K RECT.	チ ッ プ セ ラ (B)		01
-113	US663100	CERAMIC CAPACITOR (CHIP)	1000P 50V K RECT.	チ ッ プ セ ラ (B)		01
C114	US635100	CERAMIC CAPACITOR (CHIP)	0.100 16V Z RECT.	チ ッ プ セ ラ (F)		01
-118	US635100	CERAMIC CAPACITOR (CHIP)	0.100 16V Z RECT.	チ ッ プ セ ラ (F)		01
C119	US663100	CERAMIC CAPACITOR (CHIP)	1000P 50V K RECT.	チ ッ プ セ ラ (B)		01
-123	US663100	CERAMIC CAPACITOR (CHIP)	1000P 50V K RECT.	チ ッ プ セ ラ (B)		01
C124	US635100	CERAMIC CAPACITOR (CHIP)	0.100 16V Z RECT.	チ ッ プ セ ラ (F)		01
-128	US635100	CERAMIC CAPACITOR (CHIP)	0.100 16V Z RECT.	チ ッ プ セ ラ (F)		01
C129	US663100	CERAMIC CAPACITOR (CHIP)	1000P 50V K RECT.	チ ッ プ セ ラ (B)		01
-133	US663100	CERAMIC CAPACITOR (CHIP)	1000P 50V K RECT.	チ ッ プ セ ラ (B)		01
C134	WD758200	CERAMIC CAPACITOR (CHIP)	47U 6.3V M RECT.	チ ッ プ セ ラ		01
C135	WD758200	CERAMIC CAPACITOR (CHIP)	47U 6.3V M RECT.	チ ッ プ セ ラ		01
C136	US635100	CERAMIC CAPACITOR (CHIP)	0.100 16V Z RECT.	チ ッ プ セ ラ (F)		01
-140	US635100	CERAMIC CAPACITOR (CHIP)	0.100 16V Z RECT.	チ ッ プ セ ラ (F)		01
C141	US663100	CERAMIC CAPACITOR (CHIP)	1000P 50V K RECT.	チ ッ プ セ ラ (B)		01
-145	US663100	CERAMIC CAPACITOR (CHIP)	1000P 50V K RECT.	チ ッ プ セ ラ (B)		01
C146	US635100	CERAMIC CAPACITOR (CHIP)	0.100 16V Z RECT.	チ ッ プ セ ラ (F)		01
-150	US635100	CERAMIC CAPACITOR (CHIP)	0.100 16V Z RECT.	チ ッ プ セ ラ (F)		01
C151	US663100	CERAMIC CAPACITOR (CHIP)	1000P 50V K RECT.	チ ッ プ セ ラ (B)		01
-155	US663100	CERAMIC CAPACITOR (CHIP)	1000P 50V K RECT.	チ ッ プ セ ラ (B)		01
C156	WD758300	CERAMIC CAPACITOR (CHIP)	10U 10V K RECT.	チ ッ プ セ ラ		01
C157	US635100	CERAMIC CAPACITOR (CHIP)	0.100 16V Z RECT.	チ ッ プ セ ラ (F)		01
C158	US663100	CERAMIC CAPACITOR (CHIP)	1000P 50V K RECT.	チ ッ プ セ ラ (B)		01
C159	WD758200	CERAMIC CAPACITOR (CHIP)	47U 6.3V M RECT.	チ ッ プ セ ラ		01
C160	US635100	CERAMIC CAPACITOR (CHIP)	0.100 16V Z RECT.	チ ッ プ セ ラ (F)		01
-166	US635100	CERAMIC CAPACITOR (CHIP)	0.100 16V Z RECT.	チ ッ プ セ ラ (F)		01
C167	WD758200	CERAMIC CAPACITOR (CHIP)	47U 6.3V M RECT.	チ ッ プ セ ラ		01
C168	US635100	CERAMIC CAPACITOR (CHIP)	0.100 16V Z RECT.	チ ッ プ セ ラ (F)		01
-183	US635100	CERAMIC CAPACITOR (CHIP)	0.100 16V Z RECT.	チ ッ プ セ ラ (F)		01
C201	US635100	CERAMIC CAPACITOR (CHIP)	0.100 16V Z RECT.	チ ッ プ セ ラ (F)		01
-219	US635100	CERAMIC CAPACITOR (CHIP)	0.100 16V Z RECT.	チ ッ プ セ ラ (F)		01
C220	WQ841000	MONOLITHIC CERAMIC CAP(CHIP)	100.000 6.3V M KAK	チ ッ プ 積 層 セ ラ コ ン		01
C221	US635100	CERAMIC CAPACITOR (CHIP)	0.100 16V Z RECT.	チ ッ プ セ ラ (F)		01
-251	US635100	CERAMIC CAPACITOR (CHIP)	0.100 16V Z RECT.	チ ッ プ セ ラ (F)		01
C252	WQ841000	MONOLITHIC CERAMIC CAP(CHIP)	100.000 6.3V M KAK	チ ッ プ 積 層 セ ラ コ ン		01
C253	US635100	CERAMIC CAPACITOR (CHIP)	0.100 16V Z RECT.	チ ッ プ セ ラ (F)		01
-281	US635100	CERAMIC CAPACITOR (CHIP)	0.100 16V Z RECT.	チ ッ プ セ ラ (F)		01
C282	WQ841000	MONOLITHIC CERAMIC CAP(CHIP)	100.000 6.3V M KAK	チ ッ プ 積 層 セ ラ コ ン		01
C283	US635100	CERAMIC CAPACITOR (CHIP)	0.100 16V Z RECT.	チ ッ プ セ ラ (F)		01
-311	US635100	CERAMIC CAPACITOR (CHIP)	0.100 16V Z RECT.	チ ッ プ セ ラ (F)		01
C312	WQ841000	MONOLITHIC CERAMIC CAP(CHIP)	100.000 6.3V M KAK	チ ッ プ 積 層 セ ラ コ ン		01
C313	US635100	CERAMIC CAPACITOR (CHIP)	0.100 16V Z RECT.	チ ッ プ セ ラ (F)		01
-323	US635100	CERAMIC CAPACITOR (CHIP)	0.100 16V Z RECT.	チ ッ プ セ ラ (F)		01
C401	WQ841000	MONOLITHIC CERAMIC CAP(CHIP)	100.000 6.3V M KAK	チ ッ プ 積 層 セ ラ コ ン		01
C402	US635100	CERAMIC CAPACITOR (CHIP)	0.100 16V Z RECT.	チ ッ プ セ ラ (F)		01
C403	WQ841000	MONOLITHIC CERAMIC CAP(CHIP)	100.000 6.3V M KAK	チ ッ プ 積 層 セ ラ コ ン		01
C404	US635100	CERAMIC CAPACITOR (CHIP)	0.100 16V Z RECT.	チ ッ プ セ ラ (F)		01
-409	US635100	CERAMIC CAPACITOR (CHIP)	0.100 16V Z RECT.	チ ッ プ セ ラ (F)		01
C411	WQ841000	MONOLITHIC CERAMIC CAP(CHIP)	100.000 6.3V M KAK	チ ッ プ 積 層 セ ラ コ ン		01
C412	US661470	CERAMIC CAPACITOR (CHIP)	47P 50V J RECT.	チ ッ プ セ ラ (C H)		01
C413	US663100	CERAMIC CAPACITOR (CHIP)	1000P 50V K RECT.	チ ッ プ セ ラ (B)		01
C414	US661220	CERAMIC CAPACITOR (CHIP)	22P 50V J RECT.	チ ッ プ セ ラ (C H)		01
C415	WQ841000	MONOLITHIC CERAMIC CAP(CHIP)	100.000 6.3V M KAK	チ ッ プ 積 層 セ ラ コ ン		01
C417	US635100	CERAMIC CAPACITOR (CHIP)	0.100 16V Z RECT.	チ ッ プ セ ラ (F)		01
CN401	WF02500R	CONNECTOR	52837 180P TE	基 板 用 コ ネ ク タ		08
EM201	ZC805200	EMI FILTER (CHIP)	31PT222Z1E9L TP	チ ッ プ エ ミ フ ィ ル		01
IC101	--	IC	ADSP-21369KBPZ-3A	I	C SHARC PROCESSOR (X8847A0)	
IC102	XZ414F00	IC	W9864G6JH-6	I	C SDRAM 64M	03
IC103	XZ414F00	IC	W9864G6JH-6	I	C SDRAM 64M	03
IC104	X3292A0R	IC	SN74LV244APWR	I	C BUFFER	01
IC201	XV988C00	IC	YSS910C-VZ	I	C DSP6	09
-204	XV988C00	IC	YSS910C-VZ	I	C DSP6	09
IC205	X2725A0R	IC	MSM51V4265E-60T3-K	I	C DRAM 4M	05
-212	X2725A0R	IC	MSM51V4265E-60T3-K	I	C DRAM 4M	05
IC213	X3693A01	IC	SN74LV245APWR	I	C TRANSCEIVER	05
IC214	X3693A01	IC	SN74LV245APWR	I	C TRANSCEIVER	05
IC215	X3096A00	IC	SN74LVCC4245APWR	I	C TRANSCEIVER	
-218	X3096A00	IC	SN74LVCC4245APWR	I	C TRANSCEIVER	
IC215	X3097A0R	IC	74LVX4245MTCX	I	C	03
-218	X3097A0R	IC	74LVX4245MTCX	I	C	03

*: New Parts

RANK: Japan only

FX

REF NO.	PART NO.	DESCRIPTION	部 品 名	REMARKS	QTY	RANK
IC219	XV892B00	IC	TC74VHC74FT(EL,K)	I C		01
IC220	X3693A01	IC	SN74LV245APWR	I C		05
IC221	X3693A01	IC	SN74LV245APWR	I C		05
IC222	X3096A00	IC	SN74LVCC4245APWR	I C		
-225	X3096A00	IC	SN74LVCC4245APWR	I C		
IC222	X3097A0R	IC	74LVX4245MTCX	I C		03
-225	X3097A0R	IC	74LVX4245MTCX	I C		03
IC226	X3693A01	IC	SN74LV245APWR	I C		05
IC227	X3693A01	IC	SN74LV245APWR	I C		05
IC228	X3096A00	IC	SN74LVCC4245APWR	I C		
-231	X3096A00	IC	SN74LVCC4245APWR	I C		
IC228	X3097A0R	IC	74LVX4245MTCX	I C		03
-231	X3097A0R	IC	74LVX4245MTCX	I C		03
IC232	X3693A01	IC	SN74LV245APWR	I C		05
IC233	X3693A01	IC	SN74LV245APWR	I C		05
IC234	X3096A00	IC	SN74LVCC4245APWR	I C		
-237	X3096A00	IC	SN74LVCC4245APWR	I C		
IC234	X3097A0R	IC	74LVX4245MTCX	I C		03
-237	X3097A0R	IC	74LVX4245MTCX	I C		03
IC238	X4463A00	IC	SN74LV08APWR	I C		01
IC401	X3693A01	IC	SN74LV245APWR	I C		05
IC402	XT744B0R	IC	TC74VHCT245AFT	I C		02
IC403	X3693A01	IC	SN74LV245APWR	I C		05
-405	X3693A01	IC	SN74LV245APWR	I C		05
IC406	X7616A00	IC	LTC3411EMS#TRPBF	I C		05
IC407	XS775A0R	IC	TC7SH04FU(TE85L,JF)	I C		01
IC407	X4137A00	IC	SN74AHC1G04DCKR	I C		01
IC407	YE494A00	IC	SN74AHC1G04DCK3	I C		01
L101	V2449900	CHIP INDUCTOR	BLM21PG600SN1D	チップインダクタ		01
L401	WM457700	COIL	2.4uH 7E04NA-2R4N-R SMD	コイル 2.4u		01
R106	RD45000R	CARBON RESISTOR (CHIP)	0.00 63M J RECT.	チ ッ プ 抵 抗		01
R107	RD45000R	CARBON RESISTOR (CHIP)	0.00 63M J RECT.	チ ッ プ 抵 抗		01
R112	RD45000R	CARBON RESISTOR (CHIP)	0.00 63M J RECT.	チ ッ プ 抵 抗		01
R114	RD45000R	CARBON RESISTOR (CHIP)	0.00 63M J RECT.	チ ッ プ 抵 抗		01
-123	RD45000R	CARBON RESISTOR (CHIP)	0.00 63M J RECT.	チ ッ プ 抵 抗		01
R125	RD454330	CARBON RESISTOR (CHIP)	33.0 63M J RECT.	チ ッ プ 抵 抗		01
R126	RD454330	CARBON RESISTOR (CHIP)	33.0 63M J RECT.	チ ッ プ 抵 抗		01
R129	RD454330	CARBON RESISTOR (CHIP)	33.0 63M J RECT.	チ ッ プ 抵 抗		01
-131	RD454330	CARBON RESISTOR (CHIP)	33.0 63M J RECT.	チ ッ プ 抵 抗		01
R142	RD454330	CARBON RESISTOR (CHIP)	33.0 63M J RECT.	チ ッ プ 抵 抗		01
R143	RD250000	CARBON RESISTOR (CHIP)	0.0 0.0 J RECT.	チ ッ プ 抵 抗		01
R144	RD456470	CARBON RESISTOR (CHIP)	4.7K 63M J RECT.	チ ッ プ 抵 抗		01
R145	RD454330	CARBON RESISTOR (CHIP)	33.0 63M J RECT.	チ ッ プ 抵 抗		01
R201	RD45000R	CARBON RESISTOR (CHIP)	0.00 63M J RECT.	チ ッ プ 抵 抗		01
R202	RD45000R	CARBON RESISTOR (CHIP)	0.00 63M J RECT.	チ ッ プ 抵 抗		01
R203	RD454330	CARBON RESISTOR (CHIP)	33.0 63M J RECT.	チ ッ プ 抵 抗		01
R204	RD45000R	CARBON RESISTOR (CHIP)	0.00 63M J RECT.	チ ッ プ 抵 抗		01
R205	RD45000R	CARBON RESISTOR (CHIP)	0.00 63M J RECT.	チ ッ プ 抵 抗		01
R206	RD454330	CARBON RESISTOR (CHIP)	33.0 63M J RECT.	チ ッ プ 抵 抗		01
R207	RD45000R	CARBON RESISTOR (CHIP)	0.00 63M J RECT.	チ ッ プ 抵 抗		01
R208	RD45000R	CARBON RESISTOR (CHIP)	0.00 63M J RECT.	チ ッ プ 抵 抗		01
R209	RD454330	CARBON RESISTOR (CHIP)	33.0 63M J RECT.	チ ッ プ 抵 抗		01
R210	RD45000R	CARBON RESISTOR (CHIP)	0.00 63M J RECT.	チ ッ プ 抵 抗		01
R211	RD45000R	CARBON RESISTOR (CHIP)	0.00 63M J RECT.	チ ッ プ 抵 抗		01
R212	RD454330	CARBON RESISTOR (CHIP)	33.0 63M J RECT.	チ ッ プ 抵 抗		01
R401	RD457150	CARBON RESISTOR (CHIP)	15.0K 63M J RECT.	チ ッ プ 抵 抗		01
R402	RA157750	METAL FILM RESISTOR (CHIP)	75.0K 63M D RECT.	チ ッ プ 金 被 抵 抗		01
R403	RD45000R	CARBON RESISTOR (CHIP)	0.00 63M J RECT.	チ ッ プ 抵 抗		01
R404	RA157470	METAL FILM RESISTOR (CHIP)	47.0K 63M DRECT.	チ ッ プ 金 被 抵 抗		01
R405	RD458330	CARBON RESISTOR (CHIP)	330.0K 63M J RECT.	チ ッ プ 抵 抗		01
R406	RD454330	CARBON RESISTOR (CHIP)	33.0 63M J RECT.	チ ッ プ 抵 抗		01
-409	RD454330	CARBON RESISTOR (CHIP)	33.0 63M J RECT.	チ ッ プ 抵 抗		01
RA101	WH205800	RESISTOR ARRAY	33 X 4	抵 抗 ア レ イ		01
-105	WH205800	RESISTOR ARRAY	33 X 4	抵 抗 ア レ イ		01
RA106	WH211000	RESISTOR ARRAY	4.7K X 4	抵 抗 ア レ イ		01
RA401	WH211800	RESISTOR ARRAY	10K X 4	抵 抗 ア レ イ		01
-404	WH211800	RESISTOR ARRAY	10K X 4	抵 抗 ア レ イ		01
X101	WJ235400	RESONATOR QUARTZ	24.576MHz SG-310SCF	水 晶 発 振 器		03
X201	WY795800	RESONATOR QUARTZ	60MHz DSO321SBM	水 晶 発 振 器		03

*: New Parts

RANK: Japan only

HAAD

REF NO.	PART NO.	DESCRIPTION	部 品 名	REMARKS	QTY	RANK
*	WY643401	CIRCUIT BOARD	HAAD (NEW)	H A A D シ ー ト	(YE625D0)	35
C102	UR877470	ELECTROLYTIC CAPACITOR	47.00 63.0V RX TP	ケ ミ コ ン		01
C103	VJ09740R	ELECTROLYTIC CAPACITOR	10.00 50.0V TATETE	ケ ミ コ ン K L		01
C104	VJ09740R	ELECTROLYTIC CAPACITOR	10.00 50.0V TATETE	ケ ミ コ ン K L		01
C105	V585100R	CERAMIC CAPACITOR (CHIP)	470P 50V J KAKUTE	チ ッ プ セ ラ (C H)		01
C106	V585100R	CERAMIC CAPACITOR (CHIP)	470P 50V J KAKUTE	チ ッ プ セ ラ (C H)		01
C107	US063100	CERAMIC CAPACITOR (CHIP)	1000P 50V K RECT.	チ ッ プ セ ラ (B)		01
C108	US063100	CERAMIC CAPACITOR (CHIP)	1000P 50V K RECT.	チ ッ プ セ ラ (B)		01
C109	UR819100	ELECTROLYTIC CAPACITOR	1000 6.3V RX TP	ケ ミ コ ン		01
C110	US061330	CERAMIC CAPACITOR (CHIP)	33P 50V J RECT.	チ ッ プ セ ラ (C H)		01
C111	US062220	CERAMIC CAPACITOR (CHIP)	220P 50V J RECT.	チ ッ プ セ ラ (S L)		01
C112	US061220	CERAMIC CAPACITOR (CHIP)	22P 50V J RECT.	チ ッ プ セ ラ (C H)		01
C113	US061330	CERAMIC CAPACITOR (CHIP)	33P 50V J RECT.	チ ッ プ セ ラ (C H)		01
C114	US061220	CERAMIC CAPACITOR (CHIP)	22P 50V J RECT.	チ ッ プ セ ラ (C H)		01
C115	UU268100	ELECTROLYTIC CAPACITOR	100.00 50.0V RX TP	ケ ミ コ ン F W		01
C116	UU268100	ELECTROLYTIC CAPACITOR	100.00 50.0V RX TP	ケ ミ コ ン F W		01
C117	US064100	CERAMIC CAPACITOR (CHIP)	0.0100 50V K RECT.	チ ッ プ セ ラ (B)		01
C118	US064100	CERAMIC CAPACITOR (CHIP)	0.0100 50V K RECT.	チ ッ プ セ ラ (B)		01
C119	V5619000	ELECTROLYTIC CAPACITOR	100.00 25.0V RX TP	ケ ミ コ ン T O N E R		01
C120	US145100	CERAMIC CAPACITOR (CHIP)	0.1000 25V Z RECT.	チ ッ プ セ ラ (F)		01
C121	US145100	CERAMIC CAPACITOR (CHIP)	0.1000 25V Z RECT.	チ ッ プ セ ラ (F)		01
C122	US064100	CERAMIC CAPACITOR (CHIP)	0.0100 50V K RECT.	チ ッ プ セ ラ (B)		01
C123	US062100	CERAMIC CAPACITOR (CHIP)	100P 50V J RECT.	チ ッ プ セ ラ (S L)		01
C124	US062100	CERAMIC CAPACITOR (CHIP)	100P 50V J RECT.	チ ッ プ セ ラ (S L)		01
C125	US061150	CERAMIC CAPACITOR (CHIP)	15P 50V J RECT.	チ ッ プ セ ラ (C H)		01
C126	US064100	CERAMIC CAPACITOR (CHIP)	0.0100 50V K RECT.	チ ッ プ セ ラ (B)		01
-129	US064100	CERAMIC CAPACITOR (CHIP)	0.0100 50V K RECT.	チ ッ プ セ ラ (B)		01
C130	V5619000	ELECTROLYTIC CAPACITOR	100.00 25.0V RX TP	ケ ミ コ ン T O N E R		01
C131	US062220	CERAMIC CAPACITOR (CHIP)	220P 50V J RECT.	チ ッ プ セ ラ (S L)		01
C132	US062220	CERAMIC CAPACITOR (CHIP)	220P 50V J RECT.	チ ッ プ セ ラ (S L)		01
C133	WB575000	POLYESTER FILM CAP. (CHIP)	0.0010 50V J RECT.	チ ッ プ マ イ ラ ー		01
C134	US145100	CERAMIC CAPACITOR (CHIP)	0.1000 25V Z RECT.	チ ッ プ セ ラ (F)		01
-138	US145100	CERAMIC CAPACITOR (CHIP)	0.1000 25V Z RECT.	チ ッ プ セ ラ (F)		01
C139	UU268100	ELECTROLYTIC CAPACITOR	100.00 50.0V RX TP	ケ ミ コ ン F W		01
C140	UU267220	ELECTROLYTIC CAPACITOR	22.00 50.0V RX TP	ケ ミ コ ン F W		01
-142	UU267220	ELECTROLYTIC CAPACITOR	22.00 50.0V RX TP	ケ ミ コ ン F W		01
C143	US135220	CERAMIC CAPACITOR (CHIP)	0.2200 16V Z RECT.	チ ッ プ セ ラ (F)		01
C145	US061220	CERAMIC CAPACITOR (CHIP)	22P 50V J RECT.	チ ッ プ セ ラ (C H)		01
C202	UR877470	ELECTROLYTIC CAPACITOR	47.00 63.0V RX TP	ケ ミ コ ン		01
C203	VJ09740R	ELECTROLYTIC CAPACITOR	10.00 50.0V TATETE	ケ ミ コ ン K L		01
C204	VJ09740R	ELECTROLYTIC CAPACITOR	10.00 50.0V TATETE	ケ ミ コ ン K L		01
C205	V585100R	CERAMIC CAPACITOR (CHIP)	470P 50V J KAKUTE	チ ッ プ セ ラ (C H)		01
C206	V585100R	CERAMIC CAPACITOR (CHIP)	470P 50V J KAKUTE	チ ッ プ セ ラ (C H)		01
C207	US063100	CERAMIC CAPACITOR (CHIP)	1000P 50V K RECT.	チ ッ プ セ ラ (B)		01
C208	US063100	CERAMIC CAPACITOR (CHIP)	1000P 50V K RECT.	チ ッ プ セ ラ (B)		01
C209	UR819100	ELECTROLYTIC CAPACITOR	1000 6.3V RX TP	ケ ミ コ ン		01
C210	US061330	CERAMIC CAPACITOR (CHIP)	33P 50V J RECT.	チ ッ プ セ ラ (C H)		01
C211	US062220	CERAMIC CAPACITOR (CHIP)	220P 50V J RECT.	チ ッ プ セ ラ (S L)		01
C212	US061220	CERAMIC CAPACITOR (CHIP)	22P 50V J RECT.	チ ッ プ セ ラ (C H)		01
C213	US061330	CERAMIC CAPACITOR (CHIP)	33P 50V J RECT.	チ ッ プ セ ラ (C H)		01
C214	US061220	CERAMIC CAPACITOR (CHIP)	22P 50V J RECT.	チ ッ プ セ ラ (C H)		01
C215	UU268100	ELECTROLYTIC CAPACITOR	100.00 50.0V RX TP	ケ ミ コ ン F W		01
C216	UU268100	ELECTROLYTIC CAPACITOR	100.00 50.0V RX TP	ケ ミ コ ン F W		01
C217	US064100	CERAMIC CAPACITOR (CHIP)	0.0100 50V K RECT.	チ ッ プ セ ラ (B)		01
C218	US064100	CERAMIC CAPACITOR (CHIP)	0.0100 50V K RECT.	チ ッ プ セ ラ (B)		01
C219	V5619000	ELECTROLYTIC CAPACITOR	100.00 25.0V RX TP	ケ ミ コ ン T O N E R		01
C220	US145100	CERAMIC CAPACITOR (CHIP)	0.1000 25V Z RECT.	チ ッ プ セ ラ (F)		01
C221	US145100	CERAMIC CAPACITOR (CHIP)	0.1000 25V Z RECT.	チ ッ プ セ ラ (F)		01
C222	US064100	CERAMIC CAPACITOR (CHIP)	0.0100 50V K RECT.	チ ッ プ セ ラ (B)		01
C223	US062100	CERAMIC CAPACITOR (CHIP)	100P 50V J RECT.	チ ッ プ セ ラ (S L)		01
C224	US062100	CERAMIC CAPACITOR (CHIP)	100P 50V J RECT.	チ ッ プ セ ラ (S L)		01
C225	US061150	CERAMIC CAPACITOR (CHIP)	15P 50V J RECT.	チ ッ プ セ ラ (C H)		01
C226	US064100	CERAMIC CAPACITOR (CHIP)	0.0100 50V K RECT.	チ ッ プ セ ラ (B)		01
-229	US064100	CERAMIC CAPACITOR (CHIP)	0.0100 50V K RECT.	チ ッ プ セ ラ (B)		01
C230	V5619000	ELECTROLYTIC CAPACITOR	100.00 25.0V RX TP	ケ ミ コ ン T O N E R		01
C231	US062220	CERAMIC CAPACITOR (CHIP)	220P 50V J RECT.	チ ッ プ セ ラ (S L)		01
C232	US062220	CERAMIC CAPACITOR (CHIP)	220P 50V J RECT.	チ ッ プ セ ラ (S L)		01
C233	WB575000	POLYESTER FILM CAP. (CHIP)	0.0010 50V J RECT.	チ ッ プ マ イ ラ ー		01
C234	UU267220	ELECTROLYTIC CAPACITOR	22.00 50.0V RX TP	ケ ミ コ ン F W		01
C245	US061220	CERAMIC CAPACITOR (CHIP)	22P 50V J RECT.	チ ッ プ セ ラ (C H)		01

*: New Parts

RANK: Japan only

HAAD

REF NO.	PART NO.	DESCRIPTION	部 品 名	REMARKS	QTY	RANK
C302	UR877470	ELECTROLYTIC CAPACITOR	47.00 63.0V RX TP	ケ ミ コ ン		01
C303	VJ09740R	ELECTROLYTIC CAPACITOR	10.00 50.0V TATETE	ケ ミ コ ン K L		01
C304	VJ09740R	ELECTROLYTIC CAPACITOR	10.00 50.0V TATETE	ケ ミ コ ン K L		01
C305	V585100R	CERAMIC CAPACITOR (CHIP)	470P 50V J KAKUTE	チ ッ プ セ ラ (C H)		01
C306	V585100R	CERAMIC CAPACITOR (CHIP)	470P 50V J KAKUTE	チ ッ プ セ ラ (C H)		01
C307	US063100	CERAMIC CAPACITOR (CHIP)	1000P 50V K RECT.	チ ッ プ セ ラ (B)		01
C308	US063100	CERAMIC CAPACITOR (CHIP)	1000P 50V K RECT.	チ ッ プ セ ラ (B)		01
C309	UR819100	ELECTROLYTIC CAPACITOR	1000 6.3V RX TP	ケ ミ コ ン		01
C310	US061330	CERAMIC CAPACITOR (CHIP)	33P 50V J RECT.	チ ッ プ セ ラ (C H)		
C311	US062220	CERAMIC CAPACITOR (CHIP)	220P 50V J RECT.	チ ッ プ セ ラ (S L)		01
C312	US061220	CERAMIC CAPACITOR (CHIP)	22P 50V J RECT.	チ ッ プ セ ラ (C H)		01
C313	US061330	CERAMIC CAPACITOR (CHIP)	33P 50V J RECT.	チ ッ プ セ ラ (C H)		
C314	US061220	CERAMIC CAPACITOR (CHIP)	22P 50V J RECT.	チ ッ プ セ ラ (C H)		01
C315	UU268100	ELECTROLYTIC CAPACITOR	100.00 50.0V RX TP	ケ ミ コ ン F W		01
C316	UU268100	ELECTROLYTIC CAPACITOR	100.00 50.0V RX TP	ケ ミ コ ン F W		01
C317	US064100	CERAMIC CAPACITOR (CHIP)	0.0100 50V K RECT.	チ ッ プ セ ラ (B)		01
C318	US064100	CERAMIC CAPACITOR (CHIP)	0.0100 50V K RECT.	チ ッ プ セ ラ (B)		01
C319	V5619000	ELECTROLYTIC CAPACITOR	100.00 25.0V RX TP	ケ ミ コ ン T O N E R		01
C320	US145100	CERAMIC CAPACITOR (CHIP)	0.1000 25V Z RECT.	チ ッ プ セ ラ (F)		
C321	US145100	CERAMIC CAPACITOR (CHIP)	0.1000 25V Z RECT.	チ ッ プ セ ラ (F)		
C322	US064100	CERAMIC CAPACITOR (CHIP)	0.0100 50V K RECT.	チ ッ プ セ ラ (B)		01
C323	US062100	CERAMIC CAPACITOR (CHIP)	100P 50V J RECT.	チ ッ プ セ ラ (S L)		01
C324	US062100	CERAMIC CAPACITOR (CHIP)	100P 50V J RECT.	チ ッ プ セ ラ (S L)		01
C325	US061150	CERAMIC CAPACITOR (CHIP)	15P 50V J RECT.	チ ッ プ セ ラ (C H)		
C326	US064100	CERAMIC CAPACITOR (CHIP)	0.0100 50V K RECT.	チ ッ プ セ ラ (B)		01
-329	US064100	CERAMIC CAPACITOR (CHIP)	0.0100 50V K RECT.	チ ッ プ セ ラ (B)		01
C330	V5619000	ELECTROLYTIC CAPACITOR	100.00 25.0V RX TP	ケ ミ コ ン T O N E R		01
C331	US062220	CERAMIC CAPACITOR (CHIP)	220P 50V J RECT.	チ ッ プ セ ラ (S L)		01
C332	US062220	CERAMIC CAPACITOR (CHIP)	220P 50V J RECT.	チ ッ プ セ ラ (S L)		01
C333	WB575000	POLYESTER FILM CAP. (CHIP)	0.0010 50V J RECT.	チ ッ プ マ イ ラ ー		01
C334	US145100	CERAMIC CAPACITOR (CHIP)	0.1000 25V Z RECT.	チ ッ プ セ ラ (F)		
-338	US145100	CERAMIC CAPACITOR (CHIP)	0.1000 25V Z RECT.	チ ッ プ セ ラ (F)		
C339	UU268100	ELECTROLYTIC CAPACITOR	100.00 50.0V RX TP	ケ ミ コ ン F W		01
C340	UU267220	ELECTROLYTIC CAPACITOR	22.00 50.0V RX TP	ケ ミ コ ン F W		
-342	UU267220	ELECTROLYTIC CAPACITOR	22.00 50.0V RX TP	ケ ミ コ ン F W		
C343	US135220	CERAMIC CAPACITOR (CHIP)	0.2200 16V Z RECT.	チ ッ プ セ ラ (F)		01
C345	US061220	CERAMIC CAPACITOR (CHIP)	22P 50V J RECT.	チ ッ プ セ ラ (C H)		
C402	UR877470	ELECTROLYTIC CAPACITOR	47.00 63.0V RX TP	ケ ミ コ ン		01
C403	VJ09740R	ELECTROLYTIC CAPACITOR	10.00 50.0V TATETE	ケ ミ コ ン K L		01
C404	VJ09740R	ELECTROLYTIC CAPACITOR	10.00 50.0V TATETE	ケ ミ コ ン K L		01
C405	V585100R	CERAMIC CAPACITOR (CHIP)	470P 50V J KAKUTE-	チ ッ プ セ ラ (C H)		01
C406	V585100R	CERAMIC CAPACITOR (CHIP)	470P 50V J KAKUTE-	チ ッ プ セ ラ (C H)		01
C407	US063100	CERAMIC CAPACITOR (CHIP)	1000P 50V K RECT.	チ ッ プ セ ラ (B)		01
C408	US063100	CERAMIC CAPACITOR (CHIP)	1000P 50V K RECT.	チ ッ プ セ ラ (B)		01
C409	UR819100	ELECTROLYTIC CAPACITOR	1000 6.3V RX TP	ケ ミ コ ン		01
C410	US061330	CERAMIC CAPACITOR (CHIP)	33P 50V J RECT.	チ ッ プ セ ラ (C H)		
C411	US062220	CERAMIC CAPACITOR (CHIP)	220P 50V J RECT.	チ ッ プ セ ラ (S L)		01
C412	US061220	CERAMIC CAPACITOR (CHIP)	22P 50V J RECT.	チ ッ プ セ ラ (C H)		01
C413	US061330	CERAMIC CAPACITOR (CHIP)	33P 50V J RECT.	チ ッ プ セ ラ (C H)		
C414	US061220	CERAMIC CAPACITOR (CHIP)	22P 50V J RECT.	チ ッ プ セ ラ (C H)		01
C415	UU268100	ELECTROLYTIC CAPACITOR	100.00 50.0V RX TP	ケ ミ コ ン F W		01
C416	UU268100	ELECTROLYTIC CAPACITOR	100.00 50.0V RX TP	ケ ミ コ ン F W		01
C417	US064100	CERAMIC CAPACITOR (CHIP)	0.0100 50V K RECT.	チ ッ プ セ ラ (B)		01
C418	US064100	CERAMIC CAPACITOR (CHIP)	0.0100 50V K RECT.	チ ッ プ セ ラ (B)		01
C419	V5619000	ELECTROLYTIC CAPACITOR	100.00 25.0V RX TP	ケ ミ コ ン T O N E R		01
C420	US145100	CERAMIC CAPACITOR (CHIP)	0.1000 25V Z RECT.	チ ッ プ セ ラ (F)		
C421	US145100	CERAMIC CAPACITOR (CHIP)	0.1000 25V Z RECT.	チ ッ プ セ ラ (F)		
C422	US064100	CERAMIC CAPACITOR (CHIP)	0.0100 50V K RECT.	チ ッ プ セ ラ (B)		01
C423	US062100	CERAMIC CAPACITOR (CHIP)	100P 50V J RECT.	チ ッ プ セ ラ (S L)		01
C424	US062100	CERAMIC CAPACITOR (CHIP)	100P 50V J RECT.	チ ッ プ セ ラ (S L)		01
C425	US061150	CERAMIC CAPACITOR (CHIP)	15P 50V J RECT.	チ ッ プ セ ラ (C H)		
C426	US064100	CERAMIC CAPACITOR (CHIP)	0.0100 50V K RECT.	チ ッ プ セ ラ (B)		01
-429	US064100	CERAMIC CAPACITOR (CHIP)	0.0100 50V K RECT.	チ ッ プ セ ラ (B)		01
C430	V5619000	ELECTROLYTIC CAPACITOR	100.00 25.0V RX TP	ケ ミ コ ン T O N E R		01
C431	US062220	CERAMIC CAPACITOR (CHIP)	220P 50V J RECT.	チ ッ プ セ ラ (S L)		01
C432	US062220	CERAMIC CAPACITOR (CHIP)	220P 50V J RECT.	チ ッ プ セ ラ (S L)		01
C433	WB575000	POLYESTER FILM CAP. (CHIP)	0.0010 50V J RECT.	チ ッ プ マ イ ラ ー		01
C434	UU267220	ELECTROLYTIC CAPACITOR	22.00 50.0V RX TP	ケ ミ コ ン F W		
C445	US061220	CERAMIC CAPACITOR (CHIP)	22P 50V J RECT.	チ ッ プ セ ラ (C H)		
C502	UR877470	ELECTROLYTIC CAPACITOR	47.00 63.0V RX TP	ケ ミ コ ン		01

*: New Parts

RANK: Japan only

HAAD

REF NO.	PART NO.	DESCRIPTION	部 品 名	REMARKS	QTY	RANK
C503	VJ09740R	ELECTROLYTIC CAPACITOR	10.00 50.0V TATETE	ケ ミ コ ン K L		01
C504	VJ09740R	ELECTROLYTIC CAPACITOR	10.00 50.0V TATETE	ケ ミ コ ン K L		01
C505	V585100R	CERAMIC CAPACITOR (CHIP)	470P 50V J KAKUTE	チ ッ プ セ ラ (C H)		01
C506	V585100R	CERAMIC CAPACITOR (CHIP)	470P 50V J KAKUTE	チ ッ プ セ ラ (C H)		01
C507	US063100	CERAMIC CAPACITOR (CHIP)	1000P 50V K RECT.	チ ッ プ セ ラ (B)		01
C508	US063100	CERAMIC CAPACITOR (CHIP)	1000P 50V K RECT.	チ ッ プ セ ラ (B)		01
C509	UR819100	ELECTROLYTIC CAPACITOR	1000 6.3V RX TP	ケ ミ コ ン		01
C510	US061330	CERAMIC CAPACITOR (CHIP)	33P 50V J RECT.	チ ッ プ セ ラ (C H)		01
C511	US062220	CERAMIC CAPACITOR (CHIP)	220P 50V J RECT.	チ ッ プ セ ラ (S L)		01
C512	US061220	CERAMIC CAPACITOR (CHIP)	22P 50V J RECT.	チ ッ プ セ ラ (C H)		01
C513	US061330	CERAMIC CAPACITOR (CHIP)	33P 50V J RECT.	チ ッ プ セ ラ (C H)		01
C514	US061220	CERAMIC CAPACITOR (CHIP)	22P 50V J RECT.	チ ッ プ セ ラ (C H)		01
C515	UU268100	ELECTROLYTIC CAPACITOR	100.00 50.0V RX TP	ケ ミ コ ン F W		01
C516	UU268100	ELECTROLYTIC CAPACITOR	100.00 50.0V RX TP	ケ ミ コ ン F W		01
C517	US064100	CERAMIC CAPACITOR (CHIP)	0.0100 50V K RECT.	チ ッ プ セ ラ (B)		01
C518	US064100	CERAMIC CAPACITOR (CHIP)	0.0100 50V K RECT.	チ ッ プ セ ラ (B)		01
C519	V5619000	ELECTROLYTIC CAPACITOR	100.00 25.0V RX TP	ケ ミ コ ン T O N E R		01
C520	US145100	CERAMIC CAPACITOR (CHIP)	0.1000 25V Z RECT.	チ ッ プ セ ラ (F)		01
C521	US145100	CERAMIC CAPACITOR (CHIP)	0.1000 25V Z RECT.	チ ッ プ セ ラ (F)		01
C522	US064100	CERAMIC CAPACITOR (CHIP)	0.0100 50V K RECT.	チ ッ プ セ ラ (B)		01
C523	US062100	CERAMIC CAPACITOR (CHIP)	100P 50V J RECT.	チ ッ プ セ ラ (S L)		01
C524	US062100	CERAMIC CAPACITOR (CHIP)	100P 50V J RECT.	チ ッ プ セ ラ (S L)		01
C525	US061150	CERAMIC CAPACITOR (CHIP)	15P 50V J RECT.	チ ッ プ セ ラ (C H)		01
C526	US064100	CERAMIC CAPACITOR (CHIP)	0.0100 50V K RECT.	チ ッ プ セ ラ (B)		01
-529	US064100	CERAMIC CAPACITOR (CHIP)	0.0100 50V K RECT.	チ ッ プ セ ラ (B)		01
C530	V5619000	ELECTROLYTIC CAPACITOR	100.00 25.0V RX TP	ケ ミ コ ン T O N E R		01
C531	US062220	CERAMIC CAPACITOR (CHIP)	220P 50V J RECT.	チ ッ プ セ ラ (S L)		01
C532	US062220	CERAMIC CAPACITOR (CHIP)	220P 50V J RECT.	チ ッ プ セ ラ (S L)		01
C533	WB575000	POLYESTER FILM CAP. (CHIP)	0.0010 50V J RECT.	チ ッ プ マ イ ラ ー		01
C534	US145100	CERAMIC CAPACITOR (CHIP)	0.1000 25V Z RECT.	チ ッ プ セ ラ (F)		01
-538	US145100	CERAMIC CAPACITOR (CHIP)	0.1000 25V Z RECT.	チ ッ プ セ ラ (F)		01
C539	UU268100	ELECTROLYTIC CAPACITOR	100.00 50.0V RX TP	ケ ミ コ ン F W		01
C540	UU267220	ELECTROLYTIC CAPACITOR	22.00 50.0V RX TP	ケ ミ コ ン F W		01
-542	UU267220	ELECTROLYTIC CAPACITOR	22.00 50.0V RX TP	ケ ミ コ ン F W		01
C543	US135220	CERAMIC CAPACITOR (CHIP)	0.2200 16V Z RECT.	チ ッ プ セ ラ (F)		01
C545	US061220	CERAMIC CAPACITOR (CHIP)	22P 50V J RECT.	チ ッ プ セ ラ (C H)		01
C602	UR877470	ELECTROLYTIC CAPACITOR	47.00 63.0V RX TP	ケ ミ コ ン		01
C603	VJ09740R	ELECTROLYTIC CAPACITOR	10.00 50.0V TATETE	ケ ミ コ ン K L		01
C604	VJ09740R	ELECTROLYTIC CAPACITOR	10.00 50.0V TATETE	ケ ミ コ ン K L		01
C605	V585100R	CERAMIC CAPACITOR (CHIP)	470P 50V J KAKUTE	チ ッ プ セ ラ (C H)		01
C606	V585100R	CERAMIC CAPACITOR (CHIP)	470P 50V J KAKUTE	チ ッ プ セ ラ (C H)		01
C607	US063100	CERAMIC CAPACITOR (CHIP)	1000P 50V K RECT.	チ ッ プ セ ラ (B)		01
C608	US063100	CERAMIC CAPACITOR (CHIP)	1000P 50V K RECT.	チ ッ プ セ ラ (B)		01
C609	UR819100	ELECTROLYTIC CAPACITOR	1000 6.3V RX TP	ケ ミ コ ン		01
C610	US061330	CERAMIC CAPACITOR (CHIP)	33P 50V J RECT.	チ ッ プ セ ラ (C H)		01
C611	US062220	CERAMIC CAPACITOR (CHIP)	220P 50V J RECT.	チ ッ プ セ ラ (S L)		01
C612	US061220	CERAMIC CAPACITOR (CHIP)	22P 50V J RECT.	チ ッ プ セ ラ (C H)		01
C613	US061330	CERAMIC CAPACITOR (CHIP)	33P 50V J RECT.	チ ッ プ セ ラ (C H)		01
C614	US061220	CERAMIC CAPACITOR (CHIP)	22P 50V J RECT.	チ ッ プ セ ラ (C H)		01
C615	UU268100	ELECTROLYTIC CAPACITOR	100.00 50.0V RX TP	ケ ミ コ ン F W		01
C616	UU268100	ELECTROLYTIC CAPACITOR	100.00 50.0V RX TP	ケ ミ コ ン F W		01
C617	US064100	CERAMIC CAPACITOR (CHIP)	0.0100 50V K RECT.	チ ッ プ セ ラ (B)		01
C618	US064100	CERAMIC CAPACITOR (CHIP)	0.0100 50V K RECT.	チ ッ プ セ ラ (B)		01
C619	V5619000	ELECTROLYTIC CAPACITOR	100.00 25.0V RX TP	ケ ミ コ ン T O N E R		01
C620	US145100	CERAMIC CAPACITOR (CHIP)	0.1000 25V Z RECT.	チ ッ プ セ ラ (F)		01
C621	US145100	CERAMIC CAPACITOR (CHIP)	0.1000 25V Z RECT.	チ ッ プ セ ラ (F)		01
C622	US064100	CERAMIC CAPACITOR (CHIP)	0.0100 50V K RECT.	チ ッ プ セ ラ (B)		01
C623	US062100	CERAMIC CAPACITOR (CHIP)	100P 50V J RECT.	チ ッ プ セ ラ (S L)		01
C624	US062100	CERAMIC CAPACITOR (CHIP)	100P 50V J RECT.	チ ッ プ セ ラ (S L)		01
C625	US061150	CERAMIC CAPACITOR (CHIP)	15P 50V J RECT.	チ ッ プ セ ラ (C H)		01
C626	US064100	CERAMIC CAPACITOR (CHIP)	0.0100 50V K RECT.	チ ッ プ セ ラ (B)		01
-629	US064100	CERAMIC CAPACITOR (CHIP)	0.0100 50V K RECT.	チ ッ プ セ ラ (B)		01
C630	V5619000	ELECTROLYTIC CAPACITOR	100.00 25.0V RX TP	ケ ミ コ ン T O N E R		01
C631	US062220	CERAMIC CAPACITOR (CHIP)	220P 50V J RECT.	チ ッ プ セ ラ (S L)		01
C632	US062220	CERAMIC CAPACITOR (CHIP)	220P 50V J RECT.	チ ッ プ セ ラ (S L)		01
C633	WB575000	POLYESTER FILM CAP. (CHIP)	0.0010 50V J RECT.	チ ッ プ マ イ ラ ー		01
C634	UU267220	ELECTROLYTIC CAPACITOR	22.00 50.0V RX TP	ケ ミ コ ン F W		01
C645	US061220	CERAMIC CAPACITOR (CHIP)	22P 50V J RECT.	チ ッ プ セ ラ (C H)		01
C702	UR877470	ELECTROLYTIC CAPACITOR	47.00 63.0V RX TP	ケ ミ コ ン		01
C703	VJ09740R	ELECTROLYTIC CAPACITOR	10.00 50.0V TATETE	ケ ミ コ ン K L		01

*: New Parts

RANK: Japan only

HAAD

REF NO.	PART NO.	DESCRIPTION	部 品 名	REMARKS	QTY	RANK
C704	VJ09740R	ELECTROLYTIC CAPACITOR	10.00 50.0V TATETE	ケミコン K L		01
C705	V585100R	CERAMIC CAPACITOR (CHIP)	470P 50V J KAKUTE	チップセラ (C H)		01
C706	V585100R	CERAMIC CAPACITOR (CHIP)	470P 50V J KAKUTE	チップセラ (C H)		01
C707	US063100	CERAMIC CAPACITOR (CHIP)	1000P 50V K RECT.	チップセラ (B)		01
C708	US063100	CERAMIC CAPACITOR (CHIP)	1000P 50V K RECT.	チップセラ (B)		01
C709	UR819100	ELECTROLYTIC CAPACITOR	1000 6.3V RX TP	ケミコン		01
C710	US061330	CERAMIC CAPACITOR (CHIP)	33P 50V J RECT.	チップセラ (C H)		01
C711	US062220	CERAMIC CAPACITOR (CHIP)	220P 50V J RECT.	チップセラ (S L)		01
C712	US061220	CERAMIC CAPACITOR (CHIP)	22P 50V J RECT.	チップセラ (C H)		01
C713	US061330	CERAMIC CAPACITOR (CHIP)	33P 50V J RECT.	チップセラ (C H)		01
C714	US061220	CERAMIC CAPACITOR (CHIP)	22P 50V J RECT.	チップセラ (C H)		01
C715	UU268100	ELECTROLYTIC CAPACITOR	100.00 50.0V RX TP	ケミコン F W		01
C716	UU268100	ELECTROLYTIC CAPACITOR	100.00 50.0V RX TP	ケミコン F W		01
C717	US064100	CERAMIC CAPACITOR (CHIP)	0.0100 50V K RECT.	チップセラ (B)		01
C718	US064100	CERAMIC CAPACITOR (CHIP)	0.0100 50V K RECT.	チップセラ (B)		01
C719	V5619000	ELECTROLYTIC CAPACITOR	100.00 25.0V RX TP	ケミコン T O N E R		01
C720	US145100	CERAMIC CAPACITOR (CHIP)	0.1000 25V Z RECT.	チップセラ (F)		01
C721	US145100	CERAMIC CAPACITOR (CHIP)	0.1000 25V Z RECT.	チップセラ (F)		01
C722	US064100	CERAMIC CAPACITOR (CHIP)	0.0100 50V K RECT.	チップセラ (B)		01
C723	US062100	CERAMIC CAPACITOR (CHIP)	100P 50V J RECT.	チップセラ (S L)		01
C724	US062100	CERAMIC CAPACITOR (CHIP)	100P 50V J RECT.	チップセラ (S L)		01
C725	US061150	CERAMIC CAPACITOR (CHIP)	15P 50V J RECT.	チップセラ (C H)		01
C726	US064100	CERAMIC CAPACITOR (CHIP)	0.0100 50V K RECT.	チップセラ (B)		01
-729	US064100	CERAMIC CAPACITOR (CHIP)	0.0100 50V K RECT.	チップセラ (B)		01
C730	V5619000	ELECTROLYTIC CAPACITOR	100.00 25.0V RX TP	ケミコン T O N E R		01
C731	US062220	CERAMIC CAPACITOR (CHIP)	220P 50V J RECT.	チップセラ (S L)		01
C732	US062220	CERAMIC CAPACITOR (CHIP)	220P 50V J RECT.	チップセラ (S L)		01
C733	WB575000	POLYESTER FILM CAP. (CHIP)	0.0010 50V J RECT.	チップマイラー		01
C734	US145100	CERAMIC CAPACITOR (CHIP)	0.1000 25V Z RECT.	チップセラ (F)		01
-738	US145100	CERAMIC CAPACITOR (CHIP)	0.1000 25V Z RECT.	チップセラ (F)		01
C739	UU268100	ELECTROLYTIC CAPACITOR	100.00 50.0V RX TP	ケミコン F W		01
C740	UU267220	ELECTROLYTIC CAPACITOR	22.00 50.0V RX TP	ケミコン F W		01
-742	UU267220	ELECTROLYTIC CAPACITOR	22.00 50.0V RX TP	ケミコン F W		01
C743	US135220	CERAMIC CAPACITOR (CHIP)	0.2200 16V Z RECT.	チップセラ (F)		01
C745	US061220	CERAMIC CAPACITOR (CHIP)	22P 50V J RECT.	チップセラ (C H)		01
C802	UR877470	ELECTROLYTIC CAPACITOR	47.00 63.0V RX TP	ケミコン		01
C803	VJ09740R	ELECTROLYTIC CAPACITOR	10.00 50.0V TATETE	ケミコン K L		01
C804	VJ09740R	ELECTROLYTIC CAPACITOR	10.00 50.0V TATETE	ケミコン K L		01
C805	V585100R	CERAMIC CAPACITOR (CHIP)	470P 50V J KAKUTE	チップセラ (C H)		01
C806	V585100R	CERAMIC CAPACITOR (CHIP)	470P 50V J KAKUTE	チップセラ (C H)		01
C807	US063100	CERAMIC CAPACITOR (CHIP)	1000P 50V K RECT.	チップセラ (B)		01
C808	US063100	CERAMIC CAPACITOR (CHIP)	1000P 50V K RECT.	チップセラ (B)		01
C809	UR819100	ELECTROLYTIC CAPACITOR	1000 6.3V RX TP	ケミコン		01
C810	US061330	CERAMIC CAPACITOR (CHIP)	33P 50V J RECT.	チップセラ (C H)		01
C811	US062220	CERAMIC CAPACITOR (CHIP)	220P 50V J RECT.	チップセラ (S L)		01
C812	US061220	CERAMIC CAPACITOR (CHIP)	22P 50V J RECT.	チップセラ (C H)		01
C813	US061330	CERAMIC CAPACITOR (CHIP)	33P 50V J RECT.	チップセラ (C H)		01
C814	US061220	CERAMIC CAPACITOR (CHIP)	22P 50V J RECT.	チップセラ (C H)		01
C815	UU268100	ELECTROLYTIC CAPACITOR	100.00 50.0V RX TP	ケミコン F W		01
C816	UU268100	ELECTROLYTIC CAPACITOR	100.00 50.0V RX TP	ケミコン F W		01
C817	US064100	CERAMIC CAPACITOR (CHIP)	0.0100 50V K RECT.	チップセラ (B)		01
C818	US064100	CERAMIC CAPACITOR (CHIP)	0.0100 50V K RECT.	チップセラ (B)		01
C819	V5619000	ELECTROLYTIC CAPACITOR	100.00 25.0V RX TP	ケミコン T O N E R		01
C820	US145100	CERAMIC CAPACITOR (CHIP)	0.1000 25V Z RECT.	チップセラ (F)		01
C821	US145100	CERAMIC CAPACITOR (CHIP)	0.1000 25V Z RECT.	チップセラ (F)		01
C822	US064100	CERAMIC CAPACITOR (CHIP)	0.0100 50V K RECT.	チップセラ (B)		01
C823	US062100	CERAMIC CAPACITOR (CHIP)	100P 50V J RECT.	チップセラ (S L)		01
C824	US062100	CERAMIC CAPACITOR (CHIP)	100P 50V J RECT.	チップセラ (S L)		01
C825	US061150	CERAMIC CAPACITOR (CHIP)	15P 50V J RECT.	チップセラ (C H)		01
C826	US064100	CERAMIC CAPACITOR (CHIP)	0.0100 50V K RECT.	チップセラ (B)		01
-829	US064100	CERAMIC CAPACITOR (CHIP)	0.0100 50V K RECT.	チップセラ (B)		01
C830	V5619000	ELECTROLYTIC CAPACITOR	100.00 25.0V RX TP	ケミコン T O N E R		01
C831	US062220	CERAMIC CAPACITOR (CHIP)	220P 50V J RECT.	チップセラ (S L)		01
C832	US062220	CERAMIC CAPACITOR (CHIP)	220P 50V J RECT.	チップセラ (S L)		01
C833	WB575000	POLYESTER FILM CAP. (CHIP)	0.0010 50V J RECT.	チップマイラー		01
C834	UU267220	ELECTROLYTIC CAPACITOR	22.00 50.0V RX TP	ケミコン F W		01
C845	US061220	CERAMIC CAPACITOR (CHIP)	22P 50V J RECT.	チップセラ (C H)		01
C901	US145100	CERAMIC CAPACITOR (CHIP)	0.1000 25V Z RECT.	チップセラ (F)		01
C902	US145100	CERAMIC CAPACITOR (CHIP)	0.1000 25V Z RECT.	チップセラ (F)		01
C903	UU268100	ELECTROLYTIC CAPACITOR	100.00 50.0V RX TP	ケミコン F W		01

*: New Parts

RANK: Japan only

HAAD

REF NO.	PART NO.	DESCRIPTION	部 品 名	REMARKS	QTY	RANK
-905	UU268100	ELECTROLYTIC CAPACITOR	100.00 50.0V RX TP	ケ ミ コ ン F W		01
C906	UR838100	ELECTROLYTIC CAPACITOR	100.00 16.0V RX TP	ケ ミ コ ン		01
C907	UU268100	ELECTROLYTIC CAPACITOR	100.00 50.0V RX TP	ケ ミ コ ン F W		01
C908	UU268100	ELECTROLYTIC CAPACITOR	100.00 50.0V RX TP	ケ ミ コ ン F W		01
C909	UR877470	ELECTROLYTIC CAPACITOR	47.00 63.0V RX TP	ケ ミ コ ン		01
C910	US145100	CERAMIC CAPACITOR (CHIP)	0.1000 25V Z RECT.	チ ッ プ セ ラ (F)		
C911	US145100	CERAMIC CAPACITOR (CHIP)	0.1000 25V Z RECT.	チ ッ プ セ ラ (F)		
C912	US063100	CERAMIC CAPACITOR (CHIP)	1000P 50V K RECT.	チ ッ プ セ ラ (B)		01
CN901	WA90230R	FMN CONNECTOR	FMN 23P SE	F M N コ ネ ク タ ー		02
CN902	VK015600	CONNECTOR	PH 16P SE	ベ ー ス ポ ス ト		01
D101	VT532500	DIODE (CHIP)	1SR154-400 TE-25	チ ッ プ ダ イ オ ー ド		
D102	VT532500	DIODE (CHIP)	1SR154-400 TE-25	チ ッ プ ダ イ オ ー ド		
D103	WW351600	DIODE (CHIP)	DB2J31400L TE-	チ ッ プ ダ イ オ ー ド		
-106	WW351600	DIODE (CHIP)	DB2J31400L TE-	チ ッ プ ダ イ オ ー ド		
D107	VT532500	DIODE (CHIP)	1SR154-400 TE-25	チ ッ プ ダ イ オ ー ド		
D108	WC36730R	DIODE (CHIP)	D1F60 1A 600V TP	チ ッ プ ダ イ オ ー ド		01
D109	WC36730R	DIODE (CHIP)	D1F60 1A 600V TP	チ ッ プ ダ イ オ ー ド		01
D201	VT532500	DIODE (CHIP)	1SR154-400 TE-25	チ ッ プ ダ イ オ ー ド		
D202	VT532500	DIODE (CHIP)	1SR154-400 TE-25	チ ッ プ ダ イ オ ー ド		
D203	WW351600	DIODE (CHIP)	DB2J31400L TE-	チ ッ プ ダ イ オ ー ド		
-206	WW351600	DIODE (CHIP)	DB2J31400L TE-	チ ッ プ ダ イ オ ー ド		
D207	VT532500	DIODE (CHIP)	1SR154-400 TE-25	チ ッ プ ダ イ オ ー ド		
D208	WC36730R	DIODE (CHIP)	D1F60 1A 600V TP	チ ッ プ ダ イ オ ー ド		01
D209	WC36730R	DIODE (CHIP)	D1F60 1A 600V TP	チ ッ プ ダ イ オ ー ド		01
D301	VT532500	DIODE (CHIP)	1SR154-400 TE-25	チ ッ プ ダ イ オ ー ド		
D302	VT532500	DIODE (CHIP)	1SR154-400 TE-25	チ ッ プ ダ イ オ ー ド		
D303	WW351600	DIODE (CHIP)	DB2J31400L TE	チ ッ プ ダ イ オ ー ド		
-306	WW351600	DIODE (CHIP)	DB2J31400L TE	チ ッ プ ダ イ オ ー ド		
D307	VT532500	DIODE (CHIP)	1SR154-400 TE-25	チ ッ プ ダ イ オ ー ド		
D308	WC36730R	DIODE (CHIP)	D1F60 1A 600V TP	チ ッ プ ダ イ オ ー ド		01
D309	WC36730R	DIODE (CHIP)	D1F60 1A 600V TP	チ ッ プ ダ イ オ ー ド		01
D401	VT532500	DIODE (CHIP)	1SR154-400 TE-25	チ ッ プ ダ イ オ ー ド		
D402	VT532500	DIODE (CHIP)	1SR154-400 TE-25	チ ッ プ ダ イ オ ー ド		
D403	WW351600	DIODE (CHIP)	DB2J31400L TE	チ ッ プ ダ イ オ ー ド		
-406	WW351600	DIODE (CHIP)	DB2J31400L TE	チ ッ プ ダ イ オ ー ド		
D407	VT532500	DIODE (CHIP)	1SR154-400 TE-25	チ ッ プ ダ イ オ ー ド		
D408	WC36730R	DIODE (CHIP)	D1F60 1A 600V TP	チ ッ プ ダ イ オ ー ド		01
D409	WC36730R	DIODE (CHIP)	D1F60 1A 600V TP	チ ッ プ ダ イ オ ー ド		01
D501	VT532500	DIODE (CHIP)	1SR154-400 TE-25	チ ッ プ ダ イ オ ー ド		
D502	VT532500	DIODE (CHIP)	1SR154-400 TE-25	チ ッ プ ダ イ オ ー ド		
D503	WW351600	DIODE (CHIP)	DB2J31400L TE	チ ッ プ ダ イ オ ー ド		
-506	WW351600	DIODE (CHIP)	DB2J31400L TE	チ ッ プ ダ イ オ ー ド		
D507	VT532500	DIODE (CHIP)	1SR154-400 TE-25	チ ッ プ ダ イ オ ー ド		
D508	WC36730R	DIODE (CHIP)	D1F60 1A 600V TP	チ ッ プ ダ イ オ ー ド		01
D509	WC36730R	DIODE (CHIP)	D1F60 1A 600V TP	チ ッ プ ダ イ オ ー ド		01
D601	VT532500	DIODE (CHIP)	1SR154-400 TE-25	チ ッ プ ダ イ オ ー ド		
D602	VT532500	DIODE (CHIP)	1SR154-400 TE-25	チ ッ プ ダ イ オ ー ド		
D603	WW351600	DIODE (CHIP)	DB2J31400L TE	チ ッ プ ダ イ オ ー ド		
-606	WW351600	DIODE (CHIP)	DB2J31400L TE	チ ッ プ ダ イ オ ー ド		
D607	VT532500	DIODE (CHIP)	1SR154-400 TE-25	チ ッ プ ダ イ オ ー ド		
D608	WC36730R	DIODE (CHIP)	D1F60 1A 600V TP	チ ッ プ ダ イ オ ー ド		01
D609	WC36730R	DIODE (CHIP)	D1F60 1A 600V TP	チ ッ プ ダ イ オ ー ド		01
D701	VT532500	DIODE (CHIP)	1SR154-400 TE-25	チ ッ プ ダ イ オ ー ド		
D702	VT532500	DIODE (CHIP)	1SR154-400 TE-25	チ ッ プ ダ イ オ ー ド		
D703	WW351600	DIODE (CHIP)	DB2J31400L TE	チ ッ プ ダ イ オ ー ド		
-706	WW351600	DIODE (CHIP)	DB2J31400L TE	チ ッ プ ダ イ オ ー ド		
D707	VT532500	DIODE (CHIP)	1SR154-400 TE-25	チ ッ プ ダ イ オ ー ド		
D708	WC36730R	DIODE (CHIP)	D1F60 1A 600V TP	チ ッ プ ダ イ オ ー ド		01
D709	WC36730R	DIODE (CHIP)	D1F60 1A 600V TP	チ ッ プ ダ イ オ ー ド		01
D801	VT532500	DIODE (CHIP)	1SR154-400 TE-25	チ ッ プ ダ イ オ ー ド		
D802	VT532500	DIODE (CHIP)	1SR154-400 TE-25	チ ッ プ ダ イ オ ー ド		
D803	WW351600	DIODE (CHIP)	DB2J31400L TE	チ ッ プ ダ イ オ ー ド		
-806	WW351600	DIODE (CHIP)	DB2J31400L TE	チ ッ プ ダ イ オ ー ド		
D807	VT532500	DIODE (CHIP)	1SR154-400 TE-25	チ ッ プ ダ イ オ ー ド		
D808	WC36730R	DIODE (CHIP)	D1F60 1A 600V TP	チ ッ プ ダ イ オ ー ド		01
D809	WC36730R	DIODE (CHIP)	D1F60 1A 600V TP	チ ッ プ ダ イ オ ー ド		01
EM901	WA04940R	LC FILTER	DSS6NE32A222Q93A	L C フィ ル タ ー E M I		01
-906	WA04940R	LC FILTER	DSS6NE32A222Q93A	L C フィ ル タ ー E M I		01
IC102	X3505A00	IC	NJM2068M-D(TE2)	I C	OP AMP	02
IC103	XV944A00	IC	TC74HC4053AFT(EL)	I C	MULTIPLEXER	03

*: New Parts

RANK: Japan only

HAAD

REF NO.	PART NO.	DESCRIPTION	部 品 名	REMARKS	QTY	RANK	
IC104	X3505A00	IC	NJM2068M-D(Te2)		C	OP AMP	02
IC105	X3505A00	IC	NJM2068M-D(Te2)		C	OP AMP	02
IC106	X5364B00	IC	AK5385BVF-E2		C	ADC	07
IC202	X3505A00	IC	NJM2068M-D(Te2)		C	OP AMP	02
IC203	XV944A00	IC	TC74HC4053AFT(EL)		C	MULTIPLEXER	03
IC204	X3505A00	IC	NJM2068M-D(Te2)		C	OP AMP	02
IC205	X3505A00	IC	NJM2068M-D(Te2)		C	OP AMP	02
IC302	X3505A00	IC	NJM2068M-D(Te2)		C	OP AMP	02
IC303	XV944A00	IC	TC74HC4053AFT(EL)		C	MULTIPLEXER	03
IC304	X3505A00	IC	NJM2068M-D(Te2)		C	OP AMP	02
IC305	X3505A00	IC	NJM2068M-D(Te2)		C	OP AMP	02
IC306	X5364B00	IC	AK5385BVF-E2		C	ADC	07
IC402	X3505A00	IC	NJM2068M-D(Te2)		C	OP AMP	02
IC403	XV944A00	IC	TC74HC4053AFT(EL)		C	MULTIPLEXER	03
IC404	X3505A00	IC	NJM2068M-D(Te2)		C	OP AMP	02
IC405	X3505A00	IC	NJM2068M-D(Te2)		C	OP AMP	02
IC502	X3505A00	IC	NJM2068M-D(Te2)		C	OP AMP	02
IC503	XV944A00	IC	TC74HC4053AFT(EL)		C	MULTIPLEXER	03
IC504	X3505A00	IC	NJM2068M-D(Te2)		C	OP AMP	02
IC505	X3505A00	IC	NJM2068M-D(Te2)		C	OP AMP	02
IC506	X5364B00	IC	AK5385BVF-E2		C	ADC	07
IC602	X3505A00	IC	NJM2068M-D(Te2)		C	OP AMP	02
IC603	XV944A00	IC	TC74HC4053AFT(EL)		C	MULTIPLEXER	03
IC604	X3505A00	IC	NJM2068M-D(Te2)		C	OP AMP	02
IC605	X3505A00	IC	NJM2068M-D(Te2)		C	OP AMP	02
IC702	X3505A00	IC	NJM2068M-D(Te2)		C	OP AMP	02
IC703	XV944A00	IC	TC74HC4053AFT(EL)		C	MULTIPLEXER	03
IC704	X3505A00	IC	NJM2068M-D(Te2)		C	OP AMP	02
IC705	X3505A00	IC	NJM2068M-D(Te2)		C	OP AMP	02
IC706	X5364B00	IC	AK5385BVF-E2		C	ADC	07
IC802	X3505A00	IC	NJM2068M-D(Te2)		C	OP AMP	02
IC803	XV944A00	IC	TC74HC4053AFT(EL)		C	MULTIPLEXER	03
IC804	X3505A00	IC	NJM2068M-D(Te2)		C	OP AMP	02
IC805	X3505A00	IC	NJM2068M-D(Te2)		C	OP AMP	02
IC901	X3693A00	IC	SN74LV245APWR		C	TRANSCEIVER	05
IC902	XM182A0R	IC	TC7S04F(Te85R,F)		C	INVERTER	01
IC903	YE032100	IC	M38039G4H-820HP		C	CPU (EC-EXP)	03
JK101	WT975600	CANNON CONNECTOR	XLR JACK NC3FAAH1	キ ャ ノ ン コ ネ ク タ		CH1 INPUT	03
JK201	WT975600	CANNON CONNECTOR	XLR JACK NC3FAAH1	キ ャ ノ ン コ ネ ク タ		CH2 INPUT	03
JK301	WT975600	CANNON CONNECTOR	XLR JACK NC3FAAH1	キ ャ ノ ン コ ネ ク タ		CH3 INPUT	03
JK401	WT975600	CANNON CONNECTOR	XLR JACK NC3FAAH1	キ ャ ノ ン コ ネ ク タ		CH4 INPUT	03
JK501	WT975600	CANNON CONNECTOR	XLR JACK NC3FAAH1	キ ャ ノ ン コ ネ ク タ		CH5 INPUT	03
JK601	WT975600	CANNON CONNECTOR	XLR JACK NC3FAAH1	キ ャ ノ ン コ ネ ク タ		CH6 INPUT	03
JK701	WT975600	CANNON CONNECTOR	XLR JACK NC3FAAH1	キ ャ ノ ン コ ネ ク タ		CH7 INPUT	03
JK801	WT975600	CANNON CONNECTOR	XLR JACK NC3FAAH1	キ ャ ノ ン コ ネ ク タ		CH8 INPUT	03
L101	GE300610	FERITE BEAD	BL02RN1R2P1A RX T	フ ェ ラ イ ト ビ ー ズ			01
-104	GE300610	FERITE BEAD	BL02RN1R2P1A RX T	フ ェ ラ イ ト ビ ー ズ			01
L201	GE300610	FERITE BEAD	BL02RN1R2P1A RX T	フ ェ ラ イ ト ビ ー ズ			01
L202	GE300610	FERITE BEAD	BL02RN1R2P1A RX T	フ ェ ラ イ ト ビ ー ズ			01
L301	GE300610	FERITE BEAD	BL02RN1R2P1A RX T	フ ェ ラ イ ト ビ ー ズ			01
-304	GE300610	FERITE BEAD	BL02RN1R2P1A RX T	フ ェ ラ イ ト ビ ー ズ			01
L401	GE300610	FERITE BEAD	BL02RN1R2P1A RX T	フ ェ ラ イ ト ビ ー ズ			01
L402	GE300610	FERITE BEAD	BL02RN1R2P1A RX T	フ ェ ラ イ ト ビ ー ズ			01
L501	GE300610	FERITE BEAD	BL02RN1R2P1A RX T	フ ェ ラ イ ト ビ ー ズ			01
-504	GE300610	FERITE BEAD	BL02RN1R2P1A RX T	フ ェ ラ イ ト ビ ー ズ			01
L601	GE300610	FERITE BEAD	BL02RN1R2P1A RX T	フ ェ ラ イ ト ビ ー ズ			01
L602	GE300610	FERITE BEAD	BL02RN1R2P1A RX T	フ ェ ラ イ ト ビ ー ズ			01
L701	GE300610	FERITE BEAD	BL02RN1R2P1A RX T	フ ェ ラ イ ト ビ ー ズ			01
-704	GE300610	FERITE BEAD	BL02RN1R2P1A RX T	フ ェ ラ イ ト ビ ー ズ			01
L801	GE300610	FERITE BEAD	BL02RN1R2P1A RX T	フ ェ ラ イ ト ビ ー ズ			01
L802	GE300610	FERITE BEAD	BL02RN1R2P1A RX T	フ ェ ラ イ ト ビ ー ズ			01
R101	VP44100R	METAL FILM RESISTOR	6.8K 1/4 F AX26	金 属 被 膜 抵 抗			01
R102	VP44100R	METAL FILM RESISTOR	6.8K 1/4 F AX26	金 属 被 膜 抵 抗			01
R103	RD258100	CARBON RESISTOR (CHIP)	100.0K 0.1 J RECT.	チ ッ プ 抵 抗			01
R104	WZ158100	FLAME PROOF CARBON RESISTOR	390.0 1/4 J VTP	不 燃 化 カ ー ボ ン 抵 抗			01
R105	RD15739R	CARBON RESISTOR (CHIP)	39.0K 1/4 J TP	チ ッ プ 抵 抗			01
R106	RD257220	CARBON RESISTOR (CHIP)	22.0K 0.1 J RECT.	チ ッ プ 抵 抗			01
R107	RD257100	CARBON RESISTOR (CHIP)	10.0K 0.1 J RECT.	チ ッ プ 抵 抗			01
R108	VP439000	METAL FILM RESISTOR	1.0K 1/4 F AX26	金 属 被 膜 抵 抗			01
R109	VP437200	METAL FILM RESISTOR	180.0 1/4 F AX26	金 属 被 膜 抵 抗			01

*: New Parts

RANK: Japan only

HAAD

REF NO.	PART NO.	DESCRIPTION	部 品 名	REMARKS	QTY	RANK
R110	VP441200	METAL FILM RESISTOR	8.2K 1/4 F AX26	金 属 被 膜 抵 抗		01
R111	VP441200	METAL FILM RESISTOR	8.2K 1/4 F AX26	金 属 被 膜 抵 抗		01
R112	VP442400	METAL FILM RESISTOR	27.0K 1/4 F AX26	金 属 被 膜 抵 抗		01
R113	RD256470	CARBON RESISTOR (CHIP)	4.7K 0.1 J RECT.	チ ッ プ 抵 抗		01
R114	RD254100	CARBON RESISTOR (CHIP)	10.0 0.1 J RECT.	チ ッ プ 抵 抗		01
R115	RD254100	CARBON RESISTOR (CHIP)	10.0 0.1 J RECT.	チ ッ プ 抵 抗		01
R116	WA02800R	METAL FILM RESISTOR (CHIP)	47.0K 1/10 D RECT.	チ ッ プ 金 皮 抵 抗		01
R117	WA02800R	METAL FILM RESISTOR (CHIP)	47.0K 1/10 D RECT.	チ ッ プ 金 皮 抵 抗		01
R118	RD254100	CARBON RESISTOR (CHIP)	10.0 0.1 J RECT.	チ ッ プ 抵 抗		01
R119	RD254100	CARBON RESISTOR (CHIP)	10.0 0.1 J RECT.	チ ッ プ 抵 抗		01
R120	WA02570R	METAL FILM RESISTOR (CHIP)	2.2K 1/10 D RECT.	チ ッ プ 金 皮 抵 抗		01
R121	WA02570R	METAL FILM RESISTOR (CHIP)	2.2K 1/10 D RECT.	チ ッ プ 金 皮 抵 抗		01
R123	ZF404900	METAL FILM RESISTOR (CHIP)	82.0 1/10 D KAKUTE	チ ッ プ 金 皮 抵 抗		01
R124	WE676900	METAL FILM RESISTOR (CHIP)	1.5K 1/10 D RECT.	チ ッ プ 金 皮 抵 抗		01
R125	WA44950R	METAL FILM RESISTOR (CHIP)	8.2K 1/10 D RECT.	チ ッ プ 金 皮 抵 抗		01
R126	WA44950R	METAL FILM RESISTOR (CHIP)	8.2K 1/10 D RECT.	チ ッ プ 金 皮 抵 抗		01
R127	WA02660R	CARBON RESISTOR (CHIP)	6.8K 1/10 D RECT.	チ ッ プ 金 皮 抵 抗		01
R128	WA02660R	CARBON RESISTOR (CHIP)	6.8K 1/10 D RECT.	チ ッ プ 金 皮 抵 抗		01
R130	RD256470	CARBON RESISTOR (CHIP)	4.7K 0.1 J RECT.	チ ッ プ 抵 抗		01
R131	WA02670R	METAL FILM RESISTOR (CHIP)	10.0K 1/10 D RECT.	チ ッ プ 金 皮 抵 抗		01
R132	WA02670R	METAL FILM RESISTOR (CHIP)	10.0K 1/10 D RECT.	チ ッ プ 金 皮 抵 抗		01
R133	RD25439R	CARBON RESISTOR (CHIP)	39.0 0.1 J RECT.	チ ッ プ 抵 抗		01
R134	WA02590R	METAL FILM RESISTOR (CHIP)	2.7K 1/10 D RECT.	チ ッ プ 金 皮 抵 抗		01
R135	WA44950R	METAL FILM RESISTOR (CHIP)	8.2K 1/10 D RECT.	チ ッ プ 金 皮 抵 抗		01
R136	WA44950R	METAL FILM RESISTOR (CHIP)	8.2K 1/10 D RECT.	チ ッ プ 金 皮 抵 抗		01
R137	RD258100	CARBON RESISTOR (CHIP)	100.0K 0.1 J RECT.	チ ッ プ 抵 抗		01
R138	WA02620R	METAL FILM RESISTOR (CHIP)	4.7K 1/10 D RECT.	チ ッ プ 金 皮 抵 抗		01
R139	WB83030R	METAL FILM RESISTOR (CHIP)	33.0K 1/10 D RECT.	チ ッ プ 金 皮 抵 抗		01
R140	RD255100	CARBON RESISTOR (CHIP)	100.0 0.1 J RECT.	チ ッ プ 抵 抗		01
R141	RD258100	CARBON RESISTOR (CHIP)	100.0K 0.1 J RECT.	チ ッ プ 抵 抗		01
R142	WA02720R	METAL FILM RESISTOR (CHIP)	16.0K 1/10 D RECT.	チ ッ プ 金 皮 抵 抗		01
R143	WA02540R	METAL FILM RESISTOR (CHIP)	1.8K 1/10 D RECT.	チ ッ プ 金 皮 抵 抗		01
R144	WA02570R	METAL FILM RESISTOR (CHIP)	2.2K 1/10 D RECT.	チ ッ プ 金 皮 抵 抗		01
R145	WA02570R	METAL FILM RESISTOR (CHIP)	2.2K 1/10 D RECT.	チ ッ プ 金 皮 抵 抗		01
R146	RD255220	CARBON RESISTOR (CHIP)	220.0 0.1 J RECT.	チ ッ プ 抵 抗		01
R147	RD255220	CARBON RESISTOR (CHIP)	220.0 0.1 J RECT.	チ ッ プ 抵 抗		01
R148	WA02670R	METAL FILM RESISTOR (CHIP)	10.0K 1/10 D RECT.	チ ッ プ 金 皮 抵 抗		01
R149	RD255100	CARBON RESISTOR (CHIP)	100.0 0.1 J RECT.	チ ッ プ 抵 抗		01
-154	RD255100	CARBON RESISTOR (CHIP)	100.0 0.1 J RECT.	チ ッ プ 抵 抗		01
R155	RD257100	CARBON RESISTOR (CHIP)	10.0K 0.1 J RECT.	チ ッ プ 抵 抗		01
R156	RD256470	CARBON RESISTOR (CHIP)	4.7K 0.1 J RECT.	チ ッ プ 抵 抗		01
R157	RD256470	CARBON RESISTOR (CHIP)	4.7K 0.1 J RECT.	チ ッ プ 抵 抗		01
R158	HF757390	CARBON RESISTOR	39.0K 1/4 J AX TP	カ ー ボ ン 抵 抗		01
R159	HF757390	CARBON RESISTOR	39.0K 1/4 J AX TP	カ ー ボ ン 抵 抗		01
R201	VP44100R	METAL FILM RESISTOR	6.8K 1/4 F AX26	金 属 被 膜 抵 抗		01
R202	VP44100R	METAL FILM RESISTOR	6.8K 1/4 F AX26	金 属 被 膜 抵 抗		01
R203	RD258100	CARBON RESISTOR (CHIP)	100.0K 0.1 J RECT.	チ ッ プ 抵 抗		01
R204	WZ158100	FLAME PROOF CARBON RESISTOR	390.0 1/4 J VTP	不 燃 化 カ ー ボ ン 抵 抗		01
R205	RD15739R	CARBON RESISTOR (CHIP)	39.0K 1/4 J TP	チ ッ プ 抵 抗		01
R206	RD257220	CARBON RESISTOR (CHIP)	22.0K 0.1 J RECT.	チ ッ プ 抵 抗		01
R207	RD257100	CARBON RESISTOR (CHIP)	10.0K 0.1 J RECT.	チ ッ プ 抵 抗		01
R208	VP439000	METAL FILM RESISTOR	1.0K 1/4 F AX26	金 属 被 膜 抵 抗		01
R209	VP437200	METAL FILM RESISTOR	180.0 1/4 F AX26	金 属 被 膜 抵 抗		01
R210	VP441200	METAL FILM RESISTOR	8.2K 1/4 F AX26	金 属 被 膜 抵 抗		01
R211	VP441200	METAL FILM RESISTOR	8.2K 1/4 F AX26	金 属 被 膜 抵 抗		01
R212	VP442400	METAL FILM RESISTOR	27.0K 1/4 F AX26	金 属 被 膜 抵 抗		01
R213	RD256470	CARBON RESISTOR (CHIP)	4.7K 0.1 J RECT.	チ ッ プ 抵 抗		01
R214	RD254100	CARBON RESISTOR (CHIP)	10.0 0.1 J RECT.	チ ッ プ 抵 抗		01
R215	RD254100	CARBON RESISTOR (CHIP)	10.0 0.1 J RECT.	チ ッ プ 抵 抗		01
R216	WA02800R	METAL FILM RESISTOR (CHIP)	47.0K 1/10 D RECT.	チ ッ プ 金 皮 抵 抗		01
R217	WA02800R	METAL FILM RESISTOR (CHIP)	47.0K 1/10 D RECT.	チ ッ プ 金 皮 抵 抗		01
R218	RD254100	CARBON RESISTOR (CHIP)	10.0 0.1 J RECT.	チ ッ プ 抵 抗		01
R219	RD254100	CARBON RESISTOR (CHIP)	10.0 0.1 J RECT.	チ ッ プ 抵 抗		01
R220	WA02570R	METAL FILM RESISTOR (CHIP)	2.2K 1/10 D RECT.	チ ッ プ 金 皮 抵 抗		01
R221	WA02570R	METAL FILM RESISTOR (CHIP)	2.2K 1/10 D RECT.	チ ッ プ 金 皮 抵 抗		01
R223	ZF404900	METAL FILM RESISTOR (CHIP)	82.0 1/10 D KAKUTE	チ ッ プ 金 皮 抵 抗		01
R224	WE676900	METAL FILM RESISTOR (CHIP)	1.5K 1/10 D RECT.	チ ッ プ 金 皮 抵 抗		01
R225	WA44950R	METAL FILM RESISTOR (CHIP)	8.2K 1/10 D RECT.	チ ッ プ 金 皮 抵 抗		01
R226	WA44950R	METAL FILM RESISTOR (CHIP)	8.2K 1/10 D RECT.	チ ッ プ 金 皮 抵 抗		01
R227	WA02660R	CARBON RESISTOR (CHIP)	6.8K 1/10 D RECT.	チ ッ プ 金 皮 抵 抗		01

*: New Parts

RANK: Japan only

HAAD

REF NO.	PART NO.	DESCRIPTION		部 品 名	REMARKS	QTY	RANK
R228	WA02660R	CARBON RESISTOR (CHIP)	6.8K 1/10 D RECT.	チ ッ プ 金 皮 抵 抗			01
R230	RD256470	CARBON RESISTOR (CHIP)	4.7K 0.1 J RECT.	チ ッ プ 抵 抗			01
R231	WA02670R	METAL FILM RESISTOR (CHIP)	10.0K 1/10 D RECT.	チ ッ プ 金 皮 抵 抗			01
R232	WA02670R	METAL FILM RESISTOR (CHIP)	10.0K 1/10 D RECT.	チ ッ プ 金 皮 抵 抗			01
R233	RD25439R	CARBON RESISTOR (CHIP)	39.0 0.1 J RECT.	チ ッ プ 金 抵 抗			01
R234	WA02590R	METAL FILM RESISTOR (CHIP)	2.7K 1/10 D RECT.	チ ッ プ 金 皮 抵 抗			01
R235	WA44950R	METAL FILM RESISTOR (CHIP)	8.2K 1/10 D RECT.	チ ッ プ 金 皮 抵 抗			01
R236	WA44950R	METAL FILM RESISTOR (CHIP)	8.2K 1/10 D RECT.	チ ッ プ 金 皮 抵 抗			01
R237	RD258100	CARBON RESISTOR (CHIP)	100.0K 0.1 J RECT.	チ ッ プ 金 抵 抗			01
R238	WA02620R	METAL FILM RESISTOR (CHIP)	4.7K 1/10 D RECT.	チ ッ プ 金 皮 抵 抗			01
R239	WB83030R	METAL FILM RESISTOR (CHIP)	33.0K 1/10 D RECT.	チ ッ プ 金 皮 抵 抗			01
R240	RD255100	CARBON RESISTOR (CHIP)	100.0 0.1 J RECT.	チ ッ プ 抵 抗			01
R241	RD258100	CARBON RESISTOR (CHIP)	100.0K 0.1 J RECT.	チ ッ プ 金 抵 抗			01
R242	WA02720R	METAL FILM RESISTOR (CHIP)	16.0K 1/10 D RECT.	チ ッ プ 金 皮 抵 抗			01
R243	WA02540R	METAL FILM RESISTOR (CHIP)	1.8K 1/10 D RECT.	チ ッ プ 金 皮 抵 抗			01
R244	WA02570R	METAL FILM RESISTOR (CHIP)	2.2K 1/10 D RECT.	チ ッ プ 金 皮 抵 抗			01
R245	WA02570R	METAL FILM RESISTOR (CHIP)	2.2K 1/10 D RECT.	チ ッ プ 金 皮 抵 抗			01
R246	RD255220	CARBON RESISTOR (CHIP)	220.0 0.1 J RECT.	チ ッ プ 抵 抗			01
R247	RD255220	CARBON RESISTOR (CHIP)	220.0 0.1 J RECT.	チ ッ プ 抵 抗			01
R248	WA02670R	METAL FILM RESISTOR (CHIP)	10.0K 1/10 D RECT.	チ ッ プ 金 皮 抵 抗			01
R255	RD257100	CARBON RESISTOR (CHIP)	10.0K 0.1 J RECT.	チ ッ プ 抵 抗			01
R256	RD256470	CARBON RESISTOR (CHIP)	4.7K 0.1 J RECT.	チ ッ プ 抵 抗			01
R257	RD256470	CARBON RESISTOR (CHIP)	4.7K 0.1 J RECT.	チ ッ プ 抵 抗			01
R258	HF757390	CARBON RESISTOR	39.0K 1/4 J AX TP	カ ー ボ ン 抵 抗			01
R259	HF757390	CARBON RESISTOR	39.0K 1/4 J AX TP	カ ー ボ ン 抵 抗			01
R301	VP44100R	METAL FILM RESISTOR	6.8K 1/4 F AX26	金 属 被 膜 抵 抗			01
R302	VP44100R	METAL FILM RESISTOR	6.8K 1/4 F AX26	金 属 被 膜 抵 抗			01
R303	RD258100	CARBON RESISTOR (CHIP)	100.0K 0.1 J RECT.	チ ッ プ 金 抵 抗			01
R304	WZ158100	FLAME PROOF CARBON RESISTOR	390.0 1/4 J VTP	不 燃 化 カ ー ボ ン 抵 抗			01
R305	RD15739R	CARBON RESISTOR (CHIP)	39.0K 1/4 J TP	チ ッ プ 金 抵 抗			01
R306	RD257220	CARBON RESISTOR (CHIP)	22.0K 0.1 J RECT.	チ ッ プ 抵 抗			01
R307	RD257100	CARBON RESISTOR (CHIP)	10.0K 0.1 J RECT.	チ ッ プ 抵 抗			01
R308	VP439000	METAL FILM RESISTOR	1.0K 1/4 F AX26	金 属 被 膜 抵 抗			01
* R309	VP437200	METAL FILM RESISTOR	180.0 1/4 F AX26	金 属 被 膜 抵 抗			01
R310	VP441200	METAL FILM RESISTOR	8.2K 1/4 F AX26	金 属 被 膜 抵 抗			01
R311	VP441200	METAL FILM RESISTOR	8.2K 1/4 F AX26	金 属 被 膜 抵 抗			01
R312	VP442400	METAL FILM RESISTOR	27.0K 1/4 F AX26	金 属 被 膜 抵 抗			01
R313	RD256470	CARBON RESISTOR (CHIP)	4.7K 0.1 J RECT.	チ ッ プ 抵 抗			01
R314	RD254100	CARBON RESISTOR (CHIP)	10.0 0.1 J RECT.	チ ッ プ 抵 抗			01
R315	RD254100	CARBON RESISTOR (CHIP)	10.0 0.1 J RECT.	チ ッ プ 抵 抗			01
R316	WA02800R	METAL FILM RESISTOR (CHIP)	47.0K 1/10 D RECT.	チ ッ プ 金 皮 抵 抗			01
R317	WA02800R	METAL FILM RESISTOR (CHIP)	47.0K 1/10 D RECT.	チ ッ プ 金 皮 抵 抗			01
R318	RD254100	CARBON RESISTOR (CHIP)	10.0 0.1 J RECT.	チ ッ プ 抵 抗			01
R319	RD254100	CARBON RESISTOR (CHIP)	10.0 0.1 J RECT.	チ ッ プ 抵 抗			01
R320	WA02570R	METAL FILM RESISTOR (CHIP)	2.2K 1/10 D RECT.	チ ッ プ 金 皮 抵 抗			01
R321	WA02570R	METAL FILM RESISTOR (CHIP)	2.2K 1/10 D RECT.	チ ッ プ 金 皮 抵 抗			01
* R323	ZF404900	METAL FILM RESISTOR (CHIP)	82.0 1/10 D KAKUTE	チ ッ プ 金 皮 抵 抗			01
R324	WE676900	METAL FILM RESISTOR (CHIP)	1.5K 1/10 D RECT.	チ ッ プ 金 皮 抵 抗			01
R325	WA44950R	METAL FILM RESISTOR (CHIP)	8.2K 1/10 D RECT.	チ ッ プ 金 皮 抵 抗			01
R326	WA44950R	METAL FILM RESISTOR (CHIP)	8.2K 1/10 D RECT.	チ ッ プ 金 皮 抵 抗			01
R327	WA02660R	CARBON RESISTOR (CHIP)	6.8K 1/10 D RECT.	チ ッ プ 金 皮 抵 抗			01
R328	WA02660R	CARBON RESISTOR (CHIP)	6.8K 1/10 D RECT.	チ ッ プ 金 皮 抵 抗			01
R330	RD256470	CARBON RESISTOR (CHIP)	4.7K 0.1 J RECT.	チ ッ プ 金 抵 抗			01
R331	WA02670R	METAL FILM RESISTOR (CHIP)	10.0K 1/10 D RECT.	チ ッ プ 金 皮 抵 抗			01
R332	WA02670R	METAL FILM RESISTOR (CHIP)	10.0K 1/10 D RECT.	チ ッ プ 金 皮 抵 抗			01
R333	RD25439R	CARBON RESISTOR (CHIP)	39.0 0.1 J RECT.	チ ッ プ 金 抵 抗			01
R334	WA02590R	METAL FILM RESISTOR (CHIP)	2.7K 1/10 D RECT.	チ ッ プ 金 皮 抵 抗			01
R335	WA44950R	METAL FILM RESISTOR (CHIP)	8.2K 1/10 D RECT.	チ ッ プ 金 皮 抵 抗			01
R336	WA44950R	METAL FILM RESISTOR (CHIP)	8.2K 1/10 D RECT.	チ ッ プ 金 皮 抵 抗			01
R337	RD258100	CARBON RESISTOR (CHIP)	100.0K 0.1 J RECT.	チ ッ プ 金 抵 抗			01
R338	WA02620R	METAL FILM RESISTOR (CHIP)	4.7K 1/10 D RECT.	チ ッ プ 金 皮 抵 抗			01
R339	WB83030R	METAL FILM RESISTOR (CHIP)	33.0K 1/10 D RECT.	チ ッ プ 金 皮 抵 抗			01
R340	RD255100	CARBON RESISTOR (CHIP)	100.0 0.1 J RECT.	チ ッ プ 抵 抗			01
R341	RD258100	CARBON RESISTOR (CHIP)	100.0K 0.1 J RECT.	チ ッ プ 金 抵 抗			01
R342	WA02720R	METAL FILM RESISTOR (CHIP)	16.0K 1/10 D RECT.	チ ッ プ 金 皮 抵 抗			01
R343	WA02540R	METAL FILM RESISTOR (CHIP)	1.8K 1/10 D RECT.	チ ッ プ 金 皮 抵 抗			01
R344	WA02570R	METAL FILM RESISTOR (CHIP)	2.2K 1/10 D RECT.	チ ッ プ 金 皮 抵 抗			01
R345	WA02570R	METAL FILM RESISTOR (CHIP)	2.2K 1/10 D RECT.	チ ッ プ 金 皮 抵 抗			01
R346	RD255220	CARBON RESISTOR (CHIP)	220.0 0.1 J RECT.	チ ッ プ 抵 抗			01
R347	RD255220	CARBON RESISTOR (CHIP)	220.0 0.1 J RECT.	チ ッ プ 抵 抗			01

*: New Parts

RANK: Japan only

HAAD

REF NO.	PART NO.	DESCRIPTION	部 品 名	REMARKS	QTY	RANK
R348	WA02670R	METAL FILM RESISTOR (CHIP)	10.0K 1/10 D RECT.	チ ッ プ 金 皮 抵 抗		01
R349	RD255100	CARBON RESISTOR (CHIP)	100.0 0.1 J RECT.	チ ッ プ 抵 抗		01
-354	RD255100	CARBON RESISTOR (CHIP)	100.0 0.1 J RECT.	チ ッ プ 抵 抗		01
R355	RD257100	CARBON RESISTOR (CHIP)	10.0K 0.1 J RECT.	チ ッ プ 抵 抗		01
R356	RD256470	CARBON RESISTOR (CHIP)	4.7K 0.1 J RECT.	チ ッ プ 抵 抗		01
R357	RD256470	CARBON RESISTOR (CHIP)	4.7K 0.1 J RECT.	チ ッ プ 抵 抗		01
R358	HF757390	CARBON RESISTOR	39.0K 1/4 J AX TP	カ ー ボ ン 抵 抗		01
R359	HF757390	CARBON RESISTOR	39.0K 1/4 J AX TP	カ ー ボ ン 抵 抗		01
R401	VP44100R	METAL FILM RESISTOR	6.8K 1/4 F AX26	金 属 被 膜 抵 抗		01
R402	VP44100R	METAL FILM RESISTOR	6.8K 1/4 F AX26	金 属 被 膜 抵 抗		01
R403	RD258100	CARBON RESISTOR (CHIP)	100.0K 0.1 J RECT.	チ ッ プ 抵 抗		01
R404	WZ158100	FLAME PROOF CARBON RESISTOR	390.0 1/4 J VTP	不 燃 化 カ ー ボ ン 抵 抗		01
R405	RD15739R	CARBON RESISTOR (CHIP)	39.0K 1/4 J TP	チ ッ プ 抵 抗		01
R406	RD257220	CARBON RESISTOR (CHIP)	22.0K 0.1 J RECT.	チ ッ プ 抵 抗		01
R407	RD257100	CARBON RESISTOR (CHIP)	10.0K 0.1 J RECT.	チ ッ プ 抵 抗		01
R408	VP439000	METAL FILM RESISTOR	1.0K 1/4 F AX26	金 属 被 膜 抵 抗		01
R409	VP437200	METAL FILM RESISTOR	180.0 1/4 F AX26	金 属 被 膜 抵 抗		01
R410	VP441200	METAL FILM RESISTOR	8.2K 1/4 F AX26	金 属 被 膜 抵 抗		01
R411	VP441200	METAL FILM RESISTOR	8.2K 1/4 F AX26	金 属 被 膜 抵 抗		01
R412	VP442400	METAL FILM RESISTOR	27.0K 1/4 F AX26	金 属 被 膜 抵 抗		01
R413	RD256470	CARBON RESISTOR (CHIP)	4.7K 0.1 J RECT.	チ ッ プ 抵 抗		01
R414	RD254100	CARBON RESISTOR (CHIP)	10.0 0.1 J RECT.	チ ッ プ 抵 抗		01
R415	RD254100	CARBON RESISTOR (CHIP)	10.0 0.1 J RECT.	チ ッ プ 抵 抗		01
R416	WA02800R	METAL FILM RESISTOR (CHIP)	47.0K 1/10 D RECT.	チ ッ プ 金 皮 抵 抗		01
R417	WA02800R	METAL FILM RESISTOR (CHIP)	47.0K 1/10 D RECT.	チ ッ プ 金 皮 抵 抗		01
R418	RD254100	CARBON RESISTOR (CHIP)	10.0 0.1 J RECT.	チ ッ プ 抵 抗		01
R419	RD254100	CARBON RESISTOR (CHIP)	10.0 0.1 J RECT.	チ ッ プ 抵 抗		01
R420	WA02570R	METAL FILM RESISTOR (CHIP)	2.2K 1/10 D RECT.	チ ッ プ 金 皮 抵 抗		01
R421	WA02570R	METAL FILM RESISTOR (CHIP)	2.2K 1/10 D RECT.	チ ッ プ 金 皮 抵 抗		01
R422	ZF404900	METAL FILM RESISTOR (CHIP)	82.0 1/10 D KAKUTE	チ ッ プ 金 皮 抵 抗		01
R423	WE676900	METAL FILM RESISTOR (CHIP)	1.5K 1/10 D RECT.	チ ッ プ 金 皮 抵 抗		01
R424	WE676900	METAL FILM RESISTOR (CHIP)	1.5K 1/10 D RECT.	チ ッ プ 金 皮 抵 抗		01
R425	WA44950R	METAL FILM RESISTOR (CHIP)	8.2K 1/10 D RECT.	チ ッ プ 金 皮 抵 抗		01
R426	WA44950R	METAL FILM RESISTOR (CHIP)	8.2K 1/10 D RECT.	チ ッ プ 金 皮 抵 抗		01
R427	WA02660R	CARBON RESISTOR (CHIP)	6.8K 1/10 D RECT.	チ ッ プ 金 皮 抵 抗		01
R428	WA02660R	CARBON RESISTOR (CHIP)	6.8K 1/10 D RECT.	チ ッ プ 金 皮 抵 抗		01
R430	RD256470	CARBON RESISTOR (CHIP)	4.7K 0.1 J RECT.	チ ッ プ 抵 抗		01
R431	WA02670R	METAL FILM RESISTOR (CHIP)	10.0K 1/10 D RECT.	チ ッ プ 金 皮 抵 抗		01
R432	WA02670R	METAL FILM RESISTOR (CHIP)	10.0K 1/10 D RECT.	チ ッ プ 金 皮 抵 抗		01
R433	RD25439R	CARBON RESISTOR (CHIP)	39.0 0.1 J RECT.	チ ッ プ 抵 抗		01
R434	WA02590R	METAL FILM RESISTOR (CHIP)	2.7K 1/10 D RECT.	チ ッ プ 金 皮 抵 抗		01
R435	WA44950R	METAL FILM RESISTOR (CHIP)	8.2K 1/10 D RECT.	チ ッ プ 金 皮 抵 抗		01
R436	WA44950R	METAL FILM RESISTOR (CHIP)	8.2K 1/10 D RECT.	チ ッ プ 金 皮 抵 抗		01
R437	RD258100	CARBON RESISTOR (CHIP)	100.0K 0.1 J RECT.	チ ッ プ 抵 抗		01
R438	WA02620R	METAL FILM RESISTOR (CHIP)	4.7K 1/10 D RECT.	チ ッ プ 金 皮 抵 抗		01
R439	WB83030R	METAL FILM RESISTOR (CHIP)	33.0K 1/10 D RECT.	チ ッ プ 金 皮 抵 抗		01
R440	RD255100	CARBON RESISTOR (CHIP)	100.0 0.1 J RECT.	チ ッ プ 抵 抗		01
R441	RD258100	CARBON RESISTOR (CHIP)	100.0K 0.1 J RECT.	チ ッ プ 抵 抗		01
R442	WA02720R	METAL FILM RESISTOR (CHIP)	16.0K 1/10 D RECT.	チ ッ プ 金 皮 抵 抗		01
R443	WA02540R	METAL FILM RESISTOR (CHIP)	1.8K 1/10 D RECT.	チ ッ プ 金 皮 抵 抗		01
R444	WA02570R	METAL FILM RESISTOR (CHIP)	2.2K 1/10 D RECT.	チ ッ プ 金 皮 抵 抗		01
R445	WA02570R	METAL FILM RESISTOR (CHIP)	2.2K 1/10 D RECT.	チ ッ プ 金 皮 抵 抗		01
R446	RD255220	CARBON RESISTOR (CHIP)	220.0 0.1 J RECT.	チ ッ プ 抵 抗		01
R447	RD255220	CARBON RESISTOR (CHIP)	220.0 0.1 J RECT.	チ ッ プ 抵 抗		01
R448	WA02670R	METAL FILM RESISTOR (CHIP)	10.0K 1/10 D RECT.	チ ッ プ 金 皮 抵 抗		01
R455	RD257100	CARBON RESISTOR (CHIP)	10.0K 0.1 J RECT.	チ ッ プ 抵 抗		01
R456	RD256470	CARBON RESISTOR (CHIP)	4.7K 0.1 J RECT.	チ ッ プ 抵 抗		01
R457	RD256470	CARBON RESISTOR (CHIP)	4.7K 0.1 J RECT.	チ ッ プ 抵 抗		01
R458	HF757390	CARBON RESISTOR	39.0K 1/4 J AX TP	カ ー ボ ン 抵 抗		01
R459	HF757390	CARBON RESISTOR	39.0K 1/4 J AX TP	カ ー ボ ン 抵 抗		01
R501	VP44100R	METAL FILM RESISTOR	6.8K 1/4 F AX26	金 属 被 膜 抵 抗		01
R502	VP44100R	METAL FILM RESISTOR	6.8K 1/4 F AX26	金 属 被 膜 抵 抗		01
R503	RD258100	CARBON RESISTOR (CHIP)	100.0K 0.1 J RECT.	チ ッ プ 抵 抗		01
R504	WZ158100	FLAME PROOF CARBON RESISTOR	390.0 1/4 J VTP	不 燃 化 カ ー ボ ン 抵 抗		01
R505	RD15739R	CARBON RESISTOR (CHIP)	39.0K 1/4 J TP	チ ッ プ 抵 抗		01
R506	RD257220	CARBON RESISTOR (CHIP)	22.0K 0.1 J RECT.	チ ッ プ 抵 抗		01
R507	RD257100	CARBON RESISTOR (CHIP)	10.0K 0.1 J RECT.	チ ッ プ 抵 抗		01
R508	VP439000	METAL FILM RESISTOR	1.0K 1/4 F AX26	金 属 被 膜 抵 抗		01
R509	VP437200	METAL FILM RESISTOR	180.0 1/4 F AX26	金 属 被 膜 抵 抗		01
R510	VP441200	METAL FILM RESISTOR	8.2K 1/4 F AX26	金 属 被 膜 抵 抗		01
R511	VP441200	METAL FILM RESISTOR	8.2K 1/4 F AX26	金 属 被 膜 抵 抗		01

*: New Parts

RANK: Japan only

HAAD

REF NO.	PART NO.	DESCRIPTION		部 品 名	REMARKS	QTY	RANK
R512	VP442400	METAL FILM RESISTOR	27.0K 1/4 F AX26	金 属 被 膜 抵 抗			
R513	RD256470	CARBON RESISTOR (CHIP)	4.7K 0.1 J RECT.	チ ッ プ 抵 抗			01
R514	RD254100	CARBON RESISTOR (CHIP)	10.0 0.1 J RECT.	チ ッ プ 抵 抗			01
R515	RD254100	CARBON RESISTOR (CHIP)	10.0 0.1 J RECT.	チ ッ プ 抵 抗			01
R516	WA02800R	METAL FILM RESISTOR (CHIP)	47.0K 1/10 D RECT.	チ ッ プ 金 皮 抵 抗			01
R517	WA02800R	METAL FILM RESISTOR (CHIP)	47.0K 1/10 D RECT.	チ ッ プ 金 皮 抵 抗			01
R518	RD254100	CARBON RESISTOR (CHIP)	10.0 0.1 J RECT.	チ ッ プ 抵 抗			01
R519	RD254100	CARBON RESISTOR (CHIP)	10.0 0.1 J RECT.	チ ッ プ 抵 抗			01
R520	WA02570R	METAL FILM RESISTOR (CHIP)	2.2K 1/10 D RECT.	チ ッ プ 金 皮 抵 抗			01
R521	WA02570R	METAL FILM RESISTOR (CHIP)	2.2K 1/10 D RECT.	チ ッ プ 金 皮 抵 抗			01
* R523	ZF404900	METAL FILM RESISTOR (CHIP)	82.0 1/10 D KAKUTE	チ ッ プ 金 皮 抵 抗			
R524	WE676900	METAL FILM RESISTOR (CHIP)	1.5K 1/10 D RECT.	チ ッ プ 金 皮 抵 抗			01
R525	WA44950R	METAL FILM RESISTOR (CHIP)	8.2K 1/10 D RECT.	チ ッ プ 金 皮 抵 抗			01
R526	WA44950R	METAL FILM RESISTOR (CHIP)	8.2K 1/10 D RECT.	チ ッ プ 金 皮 抵 抗			01
R527	WA02660R	CARBON RESISTOR (CHIP)	6.8K 1/10 D RECT.	チ ッ プ 金 皮 抵 抗			01
R528	WA02660R	CARBON RESISTOR (CHIP)	6.8K 1/10 D RECT.	チ ッ プ 金 皮 抵 抗			01
R530	RD256470	CARBON RESISTOR (CHIP)	4.7K 0.1 J RECT.	チ ッ プ 抵 抗			01
R531	WA02670R	METAL FILM RESISTOR (CHIP)	10.0K 1/10 D RECT.	チ ッ プ 金 皮 抵 抗			01
R532	WA02670R	METAL FILM RESISTOR (CHIP)	10.0K 1/10 D RECT.	チ ッ プ 金 皮 抵 抗			01
R533	RD25439R	CARBON RESISTOR (CHIP)	39.0 0.1 J RECT.	チ ッ プ 抵 抗			01
R534	WA02590R	METAL FILM RESISTOR (CHIP)	2.7K 1/10 D RECT.	チ ッ プ 金 皮 抵 抗			01
R535	WA44950R	METAL FILM RESISTOR (CHIP)	8.2K 1/10 D RECT.	チ ッ プ 金 皮 抵 抗			01
R536	WA44950R	METAL FILM RESISTOR (CHIP)	8.2K 1/10 D RECT.	チ ッ プ 金 皮 抵 抗			01
R537	RD258100	CARBON RESISTOR (CHIP)	100.0K 0.1 J RECT.	チ ッ プ 抵 抗			01
R538	WA02620R	METAL FILM RESISTOR (CHIP)	4.7K 1/10 D RECT.	チ ッ プ 金 皮 抵 抗			01
R539	WB83030R	METAL FILM RESISTOR (CHIP)	33.0K 1/10 D RECT.	チ ッ プ 金 皮 抵 抗			01
R540	RD255100	CARBON RESISTOR (CHIP)	100.0 0.1 J RECT.	チ ッ プ 抵 抗			01
R541	RD258100	CARBON RESISTOR (CHIP)	100.0K 0.1 J RECT.	チ ッ プ 抵 抗			01
R542	WA02720R	METAL FILM RESISTOR (CHIP)	16.0K 1/10 D RECT.	チ ッ プ 金 皮 抵 抗			01
R543	WA02540R	METAL FILM RESISTOR (CHIP)	1.8K 1/10 D RECT.	チ ッ プ 金 皮 抵 抗			01
R544	WA02570R	METAL FILM RESISTOR (CHIP)	2.2K 1/10 D RECT.	チ ッ プ 金 皮 抵 抗			01
R545	WA02570R	METAL FILM RESISTOR (CHIP)	2.2K 1/10 D RECT.	チ ッ プ 金 皮 抵 抗			01
R546	RD255220	CARBON RESISTOR (CHIP)	220.0 0.1 J RECT.	チ ッ プ 抵 抗			01
R547	RD255220	CARBON RESISTOR (CHIP)	220.0 0.1 J RECT.	チ ッ プ 抵 抗			01
R548	WA02670R	METAL FILM RESISTOR (CHIP)	10.0K 1/10 D RECT.	チ ッ プ 金 皮 抵 抗			01
R549	RD255100	CARBON RESISTOR (CHIP)	100.0 0.1 J RECT.	チ ッ プ 抵 抗			01
-554	RD255100	CARBON RESISTOR (CHIP)	100.0 0.1 J RECT.	チ ッ プ 抵 抗			01
R555	RD257100	CARBON RESISTOR (CHIP)	10.0K 0.1 J RECT.	チ ッ プ 抵 抗			01
R556	RD256470	CARBON RESISTOR (CHIP)	4.7K 0.1 J RECT.	チ ッ プ 抵 抗			01
R557	RD256470	CARBON RESISTOR (CHIP)	4.7K 0.1 J RECT.	チ ッ プ 抵 抗			01
R558	HF757390	CARBON RESISTOR	39.0K 1/4 J AX TP	カ ー ボ ン 抵 抗			01
R559	HF757390	CARBON RESISTOR	39.0K 1/4 J AX TP	カ ー ボ ン 抵 抗			01
R601	VP44100R	METAL FILM RESISTOR	6.8K 1/4 F AX26	金 属 被 膜 抵 抗			01
R602	VP44100R	METAL FILM RESISTOR	6.8K 1/4 F AX26	金 属 被 膜 抵 抗			01
R603	RD258100	CARBON RESISTOR (CHIP)	100.0K 0.1 J RECT.	チ ッ プ 抵 抗			01
R604	WZ158100	FLAME PROOF CARBON RESISTOR	390.0 1/4 J VTP	不 燃 化 カ ー ボ ン 抵 抗			01
R605	RD15739R	CARBON RESISTOR (CHIP)	39.0K 1/4 J TP	チ ッ プ 抵 抗			01
R606	RD257220	CARBON RESISTOR (CHIP)	22.0K 0.1 J RECT.	チ ッ プ 抵 抗			01
R607	RD257100	CARBON RESISTOR (CHIP)	10.0K 0.1 J RECT.	チ ッ プ 抵 抗			01
R608	VP439000	METAL FILM RESISTOR	1.0K 1/4 F AX26	金 属 被 膜 抵 抗			01
* R609	VP437200	METAL FILM RESISTOR	180.0 1/4 F AX26	金 属 被 膜 抵 抗			
R610	VP441200	METAL FILM RESISTOR	8.2K 1/4 F AX26	金 属 被 膜 抵 抗			01
R611	VP441200	METAL FILM RESISTOR	8.2K 1/4 F AX26	金 属 被 膜 抵 抗			01
R612	VP442400	METAL FILM RESISTOR	27.0K 1/4 F AX26	金 属 被 膜 抵 抗			01
R613	RD256470	CARBON RESISTOR (CHIP)	4.7K 0.1 J RECT.	チ ッ プ 抵 抗			01
R614	RD254100	CARBON RESISTOR (CHIP)	10.0 0.1 J RECT.	チ ッ プ 抵 抗			01
R615	RD254100	CARBON RESISTOR (CHIP)	10.0 0.1 J RECT.	チ ッ プ 抵 抗			01
R616	WA02800R	METAL FILM RESISTOR (CHIP)	47.0K 1/10 D RECT.	チ ッ プ 金 皮 抵 抗			01
R617	WA02800R	METAL FILM RESISTOR (CHIP)	47.0K 1/10 D RECT.	チ ッ プ 金 皮 抵 抗			01
R618	RD254100	CARBON RESISTOR (CHIP)	10.0 0.1 J RECT.	チ ッ プ 抵 抗			01
R619	RD254100	CARBON RESISTOR (CHIP)	10.0 0.1 J RECT.	チ ッ プ 抵 抗			01
R620	WA02570R	METAL FILM RESISTOR (CHIP)	2.2K 1/10 D RECT.	チ ッ プ 金 皮 抵 抗			01
R621	WA02570R	METAL FILM RESISTOR (CHIP)	2.2K 1/10 D RECT.	チ ッ プ 金 皮 抵 抗			01
* R623	ZF404900	METAL FILM RESISTOR (CHIP)	82.0 1/10 D KAKUTE	チ ッ プ 金 皮 抵 抗			
R624	WE676900	METAL FILM RESISTOR (CHIP)	1.5K 1/10 D RECT.	チ ッ プ 金 皮 抵 抗			01
R625	WA44950R	METAL FILM RESISTOR (CHIP)	8.2K 1/10 D RECT.	チ ッ プ 金 皮 抵 抗			01
R626	WA44950R	METAL FILM RESISTOR (CHIP)	8.2K 1/10 D RECT.	チ ッ プ 金 皮 抵 抗			01
R627	WA02660R	CARBON RESISTOR (CHIP)	6.8K 1/10 D RECT.	チ ッ プ 金 皮 抵 抗			01
R628	WA02660R	CARBON RESISTOR (CHIP)	6.8K 1/10 D RECT.	チ ッ プ 金 皮 抵 抗			01
R630	RD256470	CARBON RESISTOR (CHIP)	4.7K 0.1 J RECT.	チ ッ プ 抵 抗			01

*: New Parts

RANK: Japan only

HAAD

REF NO.	PART NO.	DESCRIPTION		部 品 名	REMARKS	QTY	RANK
R631	WA02670R	METAL FILM RESISTOR (CHIP)	10.0K 1/10 D RECT.	チ ッ プ 金 皮 抵 抗			01
R632	WA02670R	METAL FILM RESISTOR (CHIP)	10.0K 1/10 D RECT.	チ ッ プ 金 皮 抵 抗			01
R633	RD25439R	CARBON RESISTOR (CHIP)	39.0 0.1 J RECT.	チ ッ プ 抵 抗			01
R634	WA02590R	METAL FILM RESISTOR (CHIP)	2.7K 1/10 D RECT.	チ ッ プ 金 皮 抵 抗			01
R635	WA44950R	METAL FILM RESISTOR (CHIP)	8.2K 1/10 D RECT.	チ ッ プ 金 皮 抵 抗			01
R636	WA44950R	METAL FILM RESISTOR (CHIP)	8.2K 1/10 D RECT.	チ ッ プ 金 皮 抵 抗			01
R637	RD258100	CARBON RESISTOR (CHIP)	100.0K 0.1 J RECT.	チ ッ プ 抵 抗			01
R638	WA02620R	METAL FILM RESISTOR (CHIP)	4.7K 1/10 D RECT.	チ ッ プ 金 皮 抵 抗			01
R639	WB83030R	METAL FILM RESISTOR (CHIP)	33.0K 1/10 D RECT.	チ ッ プ 金 皮 抵 抗			01
R640	RD255100	CARBON RESISTOR (CHIP)	100.0 0.1 J RECT.	チ ッ プ 抵 抗			01
R641	RD258100	CARBON RESISTOR (CHIP)	100.0K 0.1 J RECT.	チ ッ プ 抵 抗			01
R642	WA02720R	METAL FILM RESISTOR (CHIP)	16.0K 1/10 D RECT.	チ ッ プ 金 皮 抵 抗			01
R643	WA02540R	METAL FILM RESISTOR (CHIP)	1.8K 1/10 D RECT.	チ ッ プ 金 皮 抵 抗			01
R644	WA02570R	METAL FILM RESISTOR (CHIP)	2.2K 1/10 D RECT.	チ ッ プ 金 皮 抵 抗			01
R645	WA02570R	METAL FILM RESISTOR (CHIP)	2.2K 1/10 D RECT.	チ ッ プ 金 皮 抵 抗			01
R646	RD255220	CARBON RESISTOR (CHIP)	220.0 0.1 J RECT.	チ ッ プ 抵 抗			01
R647	RD255220	CARBON RESISTOR (CHIP)	220.0 0.1 J RECT.	チ ッ プ 抵 抗			01
R648	WA02670R	METAL FILM RESISTOR (CHIP)	10.0K 1/10 D RECT.	チ ッ プ 金 皮 抵 抗			01
R655	RD257100	CARBON RESISTOR (CHIP)	10.0K 0.1 J RECT.	チ ッ プ 抵 抗			01
R656	RD256470	CARBON RESISTOR (CHIP)	4.7K 0.1 J RECT.	チ ッ プ 抵 抗			01
R657	RD256470	CARBON RESISTOR (CHIP)	4.7K 0.1 J RECT.	チ ッ プ 抵 抗			01
R658	HF757390	CARBON RESISTOR	39.0K 1/4 J AX TP	カ ー ボ ン 抵 抗			01
R659	HF757390	CARBON RESISTOR	39.0K 1/4 J AX TP	カ ー ボ ン 抵 抗			01
R701	VP44100R	METAL FILM RESISTOR	6.8K 1/4 F AX26	金 属 被 膜 抵 抗			01
R702	VP44100R	METAL FILM RESISTOR	6.8K 1/4 F AX26	金 属 被 膜 抵 抗			01
R703	RD258100	CARBON RESISTOR (CHIP)	100.0K 0.1 J RECT.	チ ッ プ 抵 抗			01
R704	WZ158100	FLAME PROOF CARBON RESISTOR	390.0 1/4 J VTP	不 燃 化 カ ー ボ ン 抵 抗			01
R705	RD15739R	CARBON RESISTOR (CHIP)	39.0K 1/4 J TP	チ ッ プ 抵 抗			01
R706	RD257220	CARBON RESISTOR (CHIP)	22.0K 0.1 J RECT.	チ ッ プ 抵 抗			01
R707	RD257100	CARBON RESISTOR (CHIP)	10.0K 0.1 J RECT.	チ ッ プ 抵 抗			01
R708	VP439000	METAL FILM RESISTOR	1.0K 1/4 F AX26	金 属 被 膜 抵 抗			01
* R709	VP437200	METAL FILM RESISTOR	180.0 1/4 F AX26	金 属 被 膜 抵 抗			01
R710	VP441200	METAL FILM RESISTOR	8.2K 1/4 F AX26	金 属 被 膜 抵 抗			01
R711	VP441200	METAL FILM RESISTOR	8.2K 1/4 F AX26	金 属 被 膜 抵 抗			01
R712	VP442400	METAL FILM RESISTOR	27.0K 1/4 F AX26	金 属 被 膜 抵 抗			01
R713	RD256470	CARBON RESISTOR (CHIP)	4.7K 0.1 J RECT.	チ ッ プ 抵 抗			01
R714	RD254100	CARBON RESISTOR (CHIP)	10.0 0.1 J RECT.	チ ッ プ 抵 抗			01
R715	RD254100	CARBON RESISTOR (CHIP)	10.0 0.1 J RECT.	チ ッ プ 抵 抗			01
R716	WA02800R	METAL FILM RESISTOR (CHIP)	47.0K 1/10 D RECT.	チ ッ プ 金 皮 抵 抗			01
R717	WA02800R	METAL FILM RESISTOR (CHIP)	47.0K 1/10 D RECT.	チ ッ プ 金 皮 抵 抗			01
R718	RD254100	CARBON RESISTOR (CHIP)	10.0 0.1 J RECT.	チ ッ プ 抵 抗			01
R719	RD254100	CARBON RESISTOR (CHIP)	10.0 0.1 J RECT.	チ ッ プ 抵 抗			01
R720	WA02570R	METAL FILM RESISTOR (CHIP)	2.2K 1/10 D RECT.	チ ッ プ 金 皮 抵 抗			01
R721	WA02570R	METAL FILM RESISTOR (CHIP)	2.2K 1/10 D RECT.	チ ッ プ 金 皮 抵 抗			01
* R723	ZF404900	METAL FILM RESISTOR (CHIP)	82.0 1/10 D KAKUTE	チ ッ プ 金 皮 抵 抗			01
R724	WE676900	METAL FILM RESISTOR (CHIP)	1.5K 1/10 D RECT.	チ ッ プ 金 皮 抵 抗			01
R725	WA44950R	METAL FILM RESISTOR (CHIP)	8.2K 1/10 D RECT.	チ ッ プ 金 皮 抵 抗			01
R726	WA44950R	METAL FILM RESISTOR (CHIP)	8.2K 1/10 D RECT.	チ ッ プ 金 皮 抵 抗			01
R727	WA02660R	CARBON RESISTOR (CHIP)	6.8K 1/10 D RECT.	チ ッ プ 金 皮 抵 抗			01
R728	WA02660R	CARBON RESISTOR (CHIP)	6.8K 1/10 D RECT.	チ ッ プ 金 皮 抵 抗			01
R730	RD256470	CARBON RESISTOR (CHIP)	4.7K 0.1 J RECT.	チ ッ プ 抵 抗			01
R731	WA02670R	METAL FILM RESISTOR (CHIP)	10.0K 1/10 D RECT.	チ ッ プ 金 皮 抵 抗			01
R732	WA02670R	METAL FILM RESISTOR (CHIP)	10.0K 1/10 D RECT.	チ ッ プ 金 皮 抵 抗			01
R733	RD25439R	CARBON RESISTOR (CHIP)	39.0 0.1 J RECT.	チ ッ プ 抵 抗			01
R734	WA02590R	METAL FILM RESISTOR (CHIP)	2.7K 1/10 D RECT.	チ ッ プ 金 皮 抵 抗			01
R735	WA44950R	METAL FILM RESISTOR (CHIP)	8.2K 1/10 D RECT.	チ ッ プ 金 皮 抵 抗			01
R736	WA44950R	METAL FILM RESISTOR (CHIP)	8.2K 1/10 D RECT.	チ ッ プ 金 皮 抵 抗			01
R737	RD258100	CARBON RESISTOR (CHIP)	100.0K 0.1 J RECT.	チ ッ プ 抵 抗			01
R738	WA02620R	METAL FILM RESISTOR (CHIP)	4.7K 1/10 D RECT.	チ ッ プ 金 皮 抵 抗			01
R739	WB83030R	METAL FILM RESISTOR (CHIP)	33.0K 1/10 D RECT.	チ ッ プ 金 皮 抵 抗			01
R740	RD255100	CARBON RESISTOR (CHIP)	100.0 0.1 J RECT.	チ ッ プ 抵 抗			01
R741	RD258100	CARBON RESISTOR (CHIP)	100.0K 0.1 J RECT.	チ ッ プ 抵 抗			01
R742	WA02720R	METAL FILM RESISTOR (CHIP)	16.0K 1/10 D RECT.	チ ッ プ 金 皮 抵 抗			01
R743	WA02540R	METAL FILM RESISTOR (CHIP)	1.8K 1/10 D RECT.	チ ッ プ 金 皮 抵 抗			01
R744	WA02570R	METAL FILM RESISTOR (CHIP)	2.2K 1/10 D RECT.	チ ッ プ 金 皮 抵 抗			01
R745	WA02570R	METAL FILM RESISTOR (CHIP)	2.2K 1/10 D RECT.	チ ッ プ 金 皮 抵 抗			01
R746	RD255220	CARBON RESISTOR (CHIP)	220.0 0.1 J RECT.	チ ッ プ 抵 抗			01
R747	RD255220	CARBON RESISTOR (CHIP)	220.0 0.1 J RECT.	チ ッ プ 抵 抗			01
R748	WA02670R	METAL FILM RESISTOR (CHIP)	10.0K 1/10 D RECT.	チ ッ プ 金 皮 抵 抗			01
R749	RD255100	CARBON RESISTOR (CHIP)	100.0 0.1 J RECT.	チ ッ プ 抵 抗			01

*: New Parts

RANK: Japan only

HAAD

REF NO.	PART NO.	DESCRIPTION	部 品 名	REMARKS	QTY	RANK
-754	RD255100	CARBON RESISTOR (CHIP)	100.0 0.1 J RECT.	チ ッ プ 抵 抗		01
R755	RD257100	CARBON RESISTOR (CHIP)	10.0K 0.1 J RECT.	チ ッ プ 抵 抗		01
R756	RD256470	CARBON RESISTOR (CHIP)	4.7K 0.1 J RECT.	チ ッ プ 抵 抗		01
R757	RD256470	CARBON RESISTOR (CHIP)	4.7K 0.1 J RECT.	チ ッ プ 抵 抗		01
R758	HF757390	CARBON RESISTOR	39.0K 1/4 J AX TP	カ ー ボ ン 抵 抗		01
R759	HF757390	CARBON RESISTOR	39.0K 1/4 J AX TP	カ ー ボ ン 抵 抗		01
R801	VP44100R	METAL FILM RESISTOR	6.8K 1/4 F AX26	金 属 被 膜 抵 抗		01
R802	VP44100R	METAL FILM RESISTOR	6.8K 1/4 F AX26	金 属 被 膜 抵 抗		01
R803	RD258100	CARBON RESISTOR (CHIP)	100.0K 0.1 J RECT.	チ ッ プ 抵 抗		01
R804	WZ158100	FLAME PROOF CARBON RESISTOR	390.0 1/4 J VTP	不 燃 化 カ ー ボ ン 抵 抗		01
R805	RD15739R	CARBON RESISTOR (CHIP)	39.0K 1/4 J TP	チ ッ プ 抵 抗		01
R806	RD257220	CARBON RESISTOR (CHIP)	22.0K 0.1 J RECT.	チ ッ プ 抵 抗		01
R807	RD257100	CARBON RESISTOR (CHIP)	10.0K 0.1 J RECT.	チ ッ プ 抵 抗		01
R808	VP439000	METAL FILM RESISTOR	1.0K 1/4 F AX26	金 属 被 膜 抵 抗		01
* R809	VP437200	METAL FILM RESISTOR	180.0 1/4 F AX26	金 属 被 膜 抵 抗		01
R810	VP441200	METAL FILM RESISTOR	8.2K 1/4 F AX26	金 属 被 膜 抵 抗		01
R811	VP441200	METAL FILM RESISTOR	8.2K 1/4 F AX26	金 属 被 膜 抵 抗		01
R812	VP442400	METAL FILM RESISTOR	27.0K 1/4 F AX26	金 属 被 膜 抵 抗		01
R813	RD256470	CARBON RESISTOR (CHIP)	4.7K 0.1 J RECT.	チ ッ プ 抵 抗		01
R814	RD254100	CARBON RESISTOR (CHIP)	10.0 0.1 J RECT.	チ ッ プ 抵 抗		01
R815	RD254100	CARBON RESISTOR (CHIP)	10.0 0.1 J RECT.	チ ッ プ 抵 抗		01
R816	WA02800R	METAL FILM RESISTOR (CHIP)	47.0K 1/10 D RECT.	チ ッ プ 金 皮 抵 抗		01
R817	WA02800R	METAL FILM RESISTOR (CHIP)	47.0K 1/10 D RECT.	チ ッ プ 金 皮 抵 抗		01
R818	RD254100	CARBON RESISTOR (CHIP)	10.0 0.1 J RECT.	チ ッ プ 抵 抗		01
R819	RD254100	CARBON RESISTOR (CHIP)	10.0 0.1 J RECT.	チ ッ プ 抵 抗		01
R820	WA02570R	METAL FILM RESISTOR (CHIP)	2.2K 1/10 D RECT.	チ ッ プ 金 皮 抵 抗		01
R821	WA02570R	METAL FILM RESISTOR (CHIP)	2.2K 1/10 D RECT.	チ ッ プ 金 皮 抵 抗		01
* R823	ZF404900	METAL FILM RESISTOR (CHIP)	82.0 1/10 D KAKUTE	チ ッ プ 金 皮 抵 抗		01
R824	WE676900	METAL FILM RESISTOR (CHIP)	1.5K 1/10 D RECT.	チ ッ プ 金 皮 抵 抗		01
R825	WA44950R	METAL FILM RESISTOR (CHIP)	8.2K 1/10 D RECT.	チ ッ プ 金 皮 抵 抗		01
R826	WA44950R	METAL FILM RESISTOR (CHIP)	8.2K 1/10 D RECT.	チ ッ プ 金 皮 抵 抗		01
R827	WA02660R	CARBON RESISTOR (CHIP)	6.8K 1/10 D RECT.	チ ッ プ 金 皮 抵 抗		01
R828	WA02660R	CARBON RESISTOR (CHIP)	6.8K 1/10 D RECT.	チ ッ プ 金 皮 抵 抗		01
R830	RD256470	CARBON RESISTOR (CHIP)	4.7K 0.1 J RECT.	チ ッ プ 抵 抗		01
R831	WA02670R	METAL FILM RESISTOR (CHIP)	10.0K 1/10 D RECT.	チ ッ プ 金 皮 抵 抗		01
R832	WA02670R	METAL FILM RESISTOR (CHIP)	10.0K 1/10 D RECT.	チ ッ プ 金 皮 抵 抗		01
R833	RD25439R	CARBON RESISTOR (CHIP)	39.0 0.1 J RECT.	チ ッ プ 抵 抗		01
R834	WA02590R	METAL FILM RESISTOR (CHIP)	2.7K 1/10 D RECT.	チ ッ プ 金 皮 抵 抗		01
R835	WA44950R	METAL FILM RESISTOR (CHIP)	8.2K 1/10 D RECT.	チ ッ プ 金 皮 抵 抗		01
R836	WA44950R	METAL FILM RESISTOR (CHIP)	8.2K 1/10 D RECT.	チ ッ プ 金 皮 抵 抗		01
R837	RD258100	CARBON RESISTOR (CHIP)	100.0K 0.1 J RECT.	チ ッ プ 抵 抗		01
R838	WA02620R	METAL FILM RESISTOR (CHIP)	4.7K 1/10 D RECT.	チ ッ プ 金 皮 抵 抗		01
R839	WB83030R	METAL FILM RESISTOR (CHIP)	33.0K 1/10 D RECT.	チ ッ プ 金 皮 抵 抗		01
R840	RD255100	CARBON RESISTOR (CHIP)	100.0 0.1 J RECT.	チ ッ プ 抵 抗		01
R841	RD258100	CARBON RESISTOR (CHIP)	100.0K 0.1 J RECT.	チ ッ プ 抵 抗		01
R842	WA02720R	METAL FILM RESISTOR (CHIP)	16.0K 1/10 D RECT.	チ ッ プ 金 皮 抵 抗		01
R843	WA02540R	METAL FILM RESISTOR (CHIP)	1.8K 1/10 D RECT.	チ ッ プ 金 皮 抵 抗		01
R844	WA02570R	METAL FILM RESISTOR (CHIP)	2.2K 1/10 D RECT.	チ ッ プ 金 皮 抵 抗		01
R845	WA02570R	METAL FILM RESISTOR (CHIP)	2.2K 1/10 D RECT.	チ ッ プ 金 皮 抵 抗		01
R846	RD255220	CARBON RESISTOR (CHIP)	220.0 0.1 J RECT.	チ ッ プ 抵 抗		01
R847	RD255220	CARBON RESISTOR (CHIP)	220.0 0.1 J RECT.	チ ッ プ 抵 抗		01
R848	WA02670R	METAL FILM RESISTOR (CHIP)	10.0K 1/10 D RECT.	チ ッ プ 金 皮 抵 抗		01
R855	RD257100	CARBON RESISTOR (CHIP)	10.0K 0.1 J RECT.	チ ッ プ 抵 抗		01
R856	RD256470	CARBON RESISTOR (CHIP)	4.7K 0.1 J RECT.	チ ッ プ 抵 抗		01
R857	RD256470	CARBON RESISTOR (CHIP)	4.7K 0.1 J RECT.	チ ッ プ 抵 抗		01
R858	HF757390	CARBON RESISTOR	39.0K 1/4 J AX TP	カ ー ボ ン 抵 抗		01
R859	HF757390	CARBON RESISTOR	39.0K 1/4 J AX TP	カ ー ボ ン 抵 抗		01
R901	RD255100	CARBON RESISTOR (CHIP)	100.0 0.1 J RECT.	チ ッ プ 抵 抗		01
-904	RD255100	CARBON RESISTOR (CHIP)	100.0 0.1 J RECT.	チ ッ プ 抵 抗		01
R905	RD250000	CARBON RESISTOR (CHIP)	0.0 0.0 J RECT.	チ ッ プ 抵 抗		01
-908	RD250000	CARBON RESISTOR (CHIP)	0.0 0.0 J RECT.	チ ッ プ 抵 抗		01
R909	RD258100	CARBON RESISTOR (CHIP)	100.0K 0.1 J RECT.	チ ッ プ 抵 抗		01
R910	RD258100	CARBON RESISTOR (CHIP)	100.0K 0.1 J RECT.	チ ッ プ 抵 抗		01
R911	RD255100	CARBON RESISTOR (CHIP)	100.0 0.1 J RECT.	チ ッ プ 抵 抗		01
-915	RD255100	CARBON RESISTOR (CHIP)	100.0 0.1 J RECT.	チ ッ プ 抵 抗		01
R916	RD257100	CARBON RESISTOR (CHIP)	10.0K 0.1 J RECT.	チ ッ プ 抵 抗		01
R917	RD257100	CARBON RESISTOR (CHIP)	10.0K 0.1 J RECT.	チ ッ プ 抵 抗		01
R918	RD250000	CARBON RESISTOR (CHIP)	0.0 0.0 J RECT.	チ ッ プ 抵 抗		01
R922	RD258100	CARBON RESISTOR (CHIP)	100.0K 0.1 J RECT.	チ ッ プ 抵 抗		01
R923	RD250000	CARBON RESISTOR (CHIP)	0.0 0.0 J RECT.	チ ッ プ 抵 抗		01

*: New Parts

RANK: Japan only

HAAD

REF NO.	PART NO.	DESCRIPTION		部	品	名	REMARKS	QTY	RANK
RA901	RE047100	RESISTOR ARRAY	10KX4	抵	抗	アレイ			01
-903	RE047100	RESISTOR ARRAY	10KX4	抵	抗	アレイ			01
RA904	RE047470	RESISTOR ARRAY	47KX4	抵	抗	アレイ			
-910	RE047470	RESISTOR ARRAY	47KX4	抵	抗	アレイ			
RY101	VU685601	RELAY	DC NA- 5 W-K	リ	レ	-			04
RY102	VU685601	RELAY	DC NA- 5 W-K	リ	レ	-			04
RY201	VU685601	RELAY	DC NA- 5 W-K	リ	レ	-			04
RY202	VU685601	RELAY	DC NA- 5 W-K	リ	レ	-			04
RY301	VU685601	RELAY	DC NA- 5 W-K	リ	レ	-			04
RY302	VU685601	RELAY	DC NA- 5 W-K	リ	レ	-			04
RY401	VU685601	RELAY	DC NA- 5 W-K	リ	レ	-			04
RY402	VU685601	RELAY	DC NA- 5 W-K	リ	レ	-			04
RY501	VU685601	RELAY	DC NA- 5 W-K	リ	レ	-			04
RY502	VU685601	RELAY	DC NA- 5 W-K	リ	レ	-			04
RY601	VU685601	RELAY	DC NA- 5 W-K	リ	レ	-			04
RY602	VU685601	RELAY	DC NA- 5 W-K	リ	レ	-			04
RY701	VU685601	RELAY	DC NA- 5 W-K	リ	レ	-			04
RY702	VU685601	RELAY	DC NA- 5 W-K	リ	レ	-			04
RY801	VU685601	RELAY	DC NA- 5 W-K	リ	レ	-			04
RY802	VU685601	RELAY	DC NA- 5 W-K	リ	レ	-			04
TR101	WC139600	TRANSISTOR (CHIP)	2SCKTC3911S-GR-RTK/P	ト	ラン	ジスタ	2 S C		01
TR101	WK452300	TRANSISTOR (CHIP)	2SC2713 GR	ト	ラン	ジスタ	2 S C		
TR102	VV540200	TRANSISTOR (CHIP)	2SB1260 T100 P,Q,R	ト	ラン	ジスタ	2 S B		01
TR102	ZC354500	TRANSISTOR (CHIP)	2SB KTA1668-Y-RTF/P	ト	ラン	ジスタ	2 S B		01
TR103	WC529400	TRANSISTOR (CHIP)	2SC KTC3875S-Y,GR-RTK	ト	ラン	ジスタ	2 S C		01
TR104	WC529400	TRANSISTOR (CHIP)	2SC KTC3875S-Y,GR-RTK	ト	ラン	ジスタ	2 S C		01
TR105	VS15080R	TRANSISTOR	2SC KTC3200 GR TAPING	ト	ラン	ジスタ	2 S C		01
TR106	VS15080R	TRANSISTOR	2SC KTC3200 GR TAPING	ト	ラン	ジスタ	2 S C		01
TR201	WC139600	TRANSISTOR (CHIP)	2SC KTC3911S-GR-RTK/P	ト	ラン	ジスタ	2 S C		01
TR201	WK452300	TRANSISTOR (CHIP)	2SC2713 GR	ト	ラン	ジスタ	2 S C		
TR202	VV540200	TRANSISTOR (CHIP)	2SB1260 T100 P,Q,R	ト	ラン	ジスタ	2 S B		01
TR202	ZC354500	TRANSISTOR (CHIP)	2SB KTA1668-Y-RTF/P	ト	ラン	ジスタ	2 S B		01
TR203	WC529400	TRANSISTOR (CHIP)	2SC KTC3875S-Y,GR-RTK	ト	ラン	ジスタ	2 S C		01
TR204	WC529400	TRANSISTOR (CHIP)	2SC KTC3875S-Y,GR-RTK	ト	ラン	ジスタ	2 S C		01
TR205	VS15080R	TRANSISTOR	2SC KTC3200 GR TAPING	ト	ラン	ジスタ	2 S C		01
TR206	VS15080R	TRANSISTOR	2SC KTC3200 GR TAPING	ト	ラン	ジスタ	2 S C		01
TR301	WC139600	TRANSISTOR (CHIP)	2SC KTC3911S-GR-RTK/P	ト	ラン	ジスタ	2 S C		01
TR301	WK452300	TRANSISTOR (CHIP)	2SC2713 GR	ト	ラン	ジスタ	2 S C		
TR302	VV540200	TRANSISTOR (CHIP)	2SB1260 T100 P,Q,R	ト	ラン	ジスタ	2 S B		01
TR302	ZC354500	TRANSISTOR (CHIP)	2SB KTA1668-Y-RTF/P	ト	ラン	ジスタ	2 S B		01
TR303	WC529400	TRANSISTOR (CHIP)	2SC KTC3875S-Y,GR-RTK	ト	ラン	ジスタ	2 S C		01
TR304	WC529400	TRANSISTOR (CHIP)	2SC KTC3875S-Y,GR-RTK	ト	ラン	ジスタ	2 S C		01
TR305	VS15080R	TRANSISTOR	2SC KTC3200 GR TAPING	ト	ラン	ジスタ	2 S C		01
TR306	VS15080R	TRANSISTOR	2SC KTC3200 GR TAPING	ト	ラン	ジスタ	2 S C		01
TR401	WC139600	TRANSISTOR (CHIP)	2SC KTC3911S-GR-RTK/P	ト	ラン	ジスタ	2 S C		01
TR401	WK452300	TRANSISTOR (CHIP)	2SC2713 GR	ト	ラン	ジスタ	2 S C		
TR402	VV540200	TRANSISTOR (CHIP)	2SB1260 T100 P,Q,R	ト	ラン	ジスタ	2 S B		01
TR402	ZC354500	TRANSISTOR (CHIP)	2SB KTA1668-Y-RTF/P	ト	ラン	ジスタ	2 S B		01
TR403	WC529400	TRANSISTOR (CHIP)	2SC KTC3875S-Y,GR-RTK	ト	ラン	ジスタ	2 S C		01
TR404	WC529400	TRANSISTOR (CHIP)	2SC KTC3875S-Y,GR-RTK	ト	ラン	ジスタ	2 S C		01
TR405	VS15080R	TRANSISTOR	2SC KTC3200 GR TAPING	ト	ラン	ジスタ	2 S C		01
TR406	VS15080R	TRANSISTOR	2SC KTC3200 GR TAPING	ト	ラン	ジスタ	2 S C		01
TR501	WC139600	TRANSISTOR (CHIP)	2SC KTC3911S-GR-RTK/P	ト	ラン	ジスタ	2 S C		01
TR501	WK452300	TRANSISTOR (CHIP)	2SC2713 GR	ト	ラン	ジスタ	2 S C		
TR502	VV540200	TRANSISTOR (CHIP)	2SB1260 T100 P,Q,R	ト	ラン	ジスタ	2 S B		01
TR502	ZC354500	TRANSISTOR (CHIP)	2SB KTA1668-Y-RTF/P	ト	ラン	ジスタ	2 S B		01
TR503	WC529400	TRANSISTOR (CHIP)	2SC KTC3875S-Y,GR-RTK	ト	ラン	ジスタ	2 S C		01
TR504	WC529400	TRANSISTOR (CHIP)	2SC KTC3875S-Y,GR-RTK	ト	ラン	ジスタ	2 S C		01
TR505	VS15080R	TRANSISTOR	2SC KTC3200 GR TAPING	ト	ラン	ジスタ	2 S C		01
TR506	VS15080R	TRANSISTOR	2SC KTC3200 GR TAPING	ト	ラン	ジスタ	2 S C		01
TR601	WC139600	TRANSISTOR (CHIP)	2SC KTC3911S-GR-RTK/P	ト	ラン	ジスタ	2 S C		01
TR601	WK452300	TRANSISTOR (CHIP)	2SC2713 GR	ト	ラン	ジスタ	2 S C		
TR602	VV540200	TRANSISTOR (CHIP)	2SB1260 T100 P,Q,R	ト	ラン	ジスタ	2 S B		01
TR602	ZC354500	TRANSISTOR (CHIP)	2SB KTA1668-Y-RTF/P	ト	ラン	ジスタ	2 S B		01
TR603	WC529400	TRANSISTOR (CHIP)	2SC KTC3875S-Y,GR-RTK	ト	ラン	ジスタ	2 S C		01
TR604	WC529400	TRANSISTOR (CHIP)	2SC KTC3875S-Y,GR-RTK	ト	ラン	ジスタ	2 S C		01
TR605	VS15080R	TRANSISTOR	2SC KTC3200 GR TAPING	ト	ラン	ジスタ	2 S C		01
TR606	VS15080R	TRANSISTOR	2SC KTC3200 GR TAPING	ト	ラン	ジスタ	2 S C		01
TR701	WC139600	TRANSISTOR (CHIP)	2SC KTC3911S-GR-RTK/P	ト	ラン	ジスタ	2 S C		01
TR701	WK452300	TRANSISTOR (CHIP)	2SC2713 GR	ト	ラン	ジスタ	2 S C		01

*: New Parts

RANK: Japan only

HAAD and JK

REF NO.	PART NO.	DESCRIPTION	部 品 名	REMARKS	QTY	RANK
TR702	VV540200	TRANSISTOR (CHIP)	2SB1260 T100 P,Q,R	トランジスタ 2 S B		01
TR702	ZC354500	TRANSISTOR (CHIP)	2SB KTA1668-Y-RTF/P	トランジスタ 2 S B		01
TR703	WC529400	TRANSISTOR (CHIP)	2SC KTC3875S-Y,GR-RTK	トランジスタ 2 S C		01
TR704	WC529400	TRANSISTOR (CHIP)	2SC KTC3875S-Y,GR-RTK	トランジスタ 2 S C		01
TR705	VS15080R	TRANSISTOR	2SC KTC3200 GR TAPING	トランジスタ 2 S C		01
TR706	VS15080R	TRANSISTOR	2SC KTC3200 GR TAPING	トランジスタ 2 S C		01
TR801	WC139600	TRANSISTOR (CHIP)	2SC KTC3911S-GR-RTK/P	トランジスタ 2 S C		01
TR801	WK452300	TRANSISTOR (CHIP)	2SC2713 GR	トランジスタ 2 S C		01
TR802	VV540200	TRANSISTOR (CHIP)	2SB1260 T100 P,Q,R	トランジスタ 2 S B		01
TR802	ZC354500	TRANSISTOR (CHIP)	2SB KTA1668-Y-RTF/P	トランジスタ 2 S B		01
TR803	WC529400	TRANSISTOR (CHIP)	2SC KTC3875S-Y,GR-RTK	トランジスタ 2 S C		01
TR804	WC529400	TRANSISTOR (CHIP)	2SC KTC3875S-Y,GR-RTK	トランジスタ 2 S C		01
TR805	VS15080R	TRANSISTOR	2SC KTC3200 GR TAPING	トランジスタ 2 S C		01
TR806	VS15080R	TRANSISTOR	2SC KTC3200 GR TAPING	トランジスタ 2 S C		01
X901	WB09320R	CERAMIC RESONATOR	CSTCE16M0V51-R0	セラミック 振動子		01
*	WY634900	CIRCUIT BOARD	JK	J K シ ー ト	(YD583B0)	
C101	US14510R	CERAMIC CAPACITOR (CHIP)	0.1000 25V Z RECT.	チップセラ (F)		01
C102	UF01722R	ELECTROLYTIC CAP. (CHIP)	22 6.3V	チップケミコン		01
C103	US14510R	CERAMIC CAPACITOR (CHIP)	0.1000 25V Z RECT.	チップセラ (F)		01
C104	US06233R	CERAMIC CAPACITOR (CHIP)	330P 50V J RECT.	チップセラ (S L)		01
C105	US06233R	CERAMIC CAPACITOR (CHIP)	330P 50V J RECT.	チップセラ (S L)		01
C106	US14510R	CERAMIC CAPACITOR (CHIP)	0.1000 25V Z RECT.	チップセラ (F)		01
C107	US14510R	CERAMIC CAPACITOR (CHIP)	0.1000 25V Z RECT.	チップセラ (F)		01
C201	US14510R	CERAMIC CAPACITOR (CHIP)	0.1000 25V Z RECT.	チップセラ (F)		01
C202	US14510R	CERAMIC CAPACITOR (CHIP)	0.1000 25V Z RECT.	チップセラ (F)		01
C301	US14510R	CERAMIC CAPACITOR (CHIP)	0.1000 25V Z RECT.	チップセラ (F)		01
C302	US14510R	CERAMIC CAPACITOR (CHIP)	0.1000 25V Z RECT.	チップセラ (F)		01
C303	US061330	CERAMIC CAPACITOR (CHIP)	33P 50V J RECT.	チップセラ (C H)		01
C304	US062100	CERAMIC CAPACITOR (CHIP)	100P 50V J RECT.	チップセラ (S L)		01
C401	US14510R	CERAMIC CAPACITOR (CHIP)	0.1000 25V Z RECT.	チップセラ (F)		01
-403	US14510R	CERAMIC CAPACITOR (CHIP)	0.1000 25V Z RECT.	チップセラ (F)		01
C601	UF03810R	ELECTROLYTIC CAP. (CHIP)	100 16V	チップケミコン		01
C602	US14510R	CERAMIC CAPACITOR (CHIP)	0.1000 25V Z RECT.	チップセラ (F)		01
-604	US14510R	CERAMIC CAPACITOR (CHIP)	0.1000 25V Z RECT.	チップセラ (F)		01
CN201	VR33630R	D-SUB CONNECTOR	17LE 15P SE	D サ ブ ・ コ ネ ク タ	GPI	04
CN201	ZC633800	D-SUB CONNECTOR	15P DALC-J15SAF-20	D - S U B コ ネ ク タ		
CN601	WC199000	FMN CONNECTOR	FMN 40P TE	F M N コ ネ ク タ ー		
D401	VT332900	DIODE (CHIP)	1SS355 TE-17 TP	チップダイオード		01
EM101	ZC805200	EMI FILTER (CHIP)	31PT222Z1E9L TP	チップ エミフィル		01
EM102	WN460600	LC FILTER (CHIP)	NFM18CC221R1C3D	エミフィル チップ		01
EM103	WN460600	LC FILTER (CHIP)	NFM18CC221R1C3D	エミフィル チップ		01
EM201	VI243100	EMI FILTER	DSS6NB32A271Q93A	L C フィルター		01
-205	VI243100	EMI FILTER	DSS6NB32A271Q93A	L C フィルター		01
EM206	WA04940R	EMI FILTER	DSS6NE32A222Q93A	L C フィルター E M I		01
EM207	WC39150R	LC FILTER	NFA31CC101S1E4D	L C フィルター E M I		01
EM208	VQ76140R	EMI FILTER (CHIP)	NFM3DCC101U1H3L	エミフィル チップ		01
EM301	VQ76140R	EMI FILTER (CHIP)	NFM3DCC101U1H3L	エミフィル チップ		01
EM302	VQ76140R	EMI FILTER (CHIP)	NFM3DCC101U1H3L	エミフィル チップ		01
EM601	ZC805200	EMI FILTER (CHIP)	31PT222Z1E9L TP	チップ エミフィル		01
FT201	V807480R	FET	MCH6616-TL-E TAPE	F E T		02
-203	V807480R	FET	MCH6616-TL-E TAPE	F E T		02
FT201	ZA683700	FET	US6K1TR	F E T		01
-203	ZA683700	FET	US6K1TR	F E T		01
IC101	X8556A00	IC	CS8406-CZZR	I C	TRANSMITTER	05
IC201	XT744B0R	IC	TC74VHCT245AFT	I C	TRANSCEIVER	02
IC202	X7942B00	IC	TC74VHC273FT(EL,K)	I C	D-FF	01
IC301	XV930A00	IC	SN75124NSR	I C	LINE RECEIVER	05
IC302	XU816A00	IC	SN75121NSR	I C	LINE DRIVER	05
IC401	XV890B0R	IC	TC74VHC14FT(EL,K)	I C	INVERTER	01
IC402	VR90370R	PHOTO COUPLER	HCPL-M600-500E	フ ォ ト カ プ ラ		04
IC601	X3693A01	IC	SN74LV245APWR	I C	TRANSCEIVER	05
IC602	XT744B0R	IC	TC74VHCT245AFT	I C	TRANSCEIVER	02
JK101	WR264400	CANNON CONNECTOR	XLR JACK NC3MAAH	キャノンコネクタ	DIGITAL OUT AES/EBU	03
JK301	V641590R	BNC CONNECTOR	1P YKS11-0103	1 P B N C コネクタ	WORD CLOCK IN	05
JK302	V641590R	BNC CONNECTOR	1P YKS11-0103	1 P B N C コネクタ	WORD CLOCK OUT	05
JK401	VJ24930R	DIN CONNECTOR	JACK 5P3 YKF51-5048	D I N コネクタ	MIDI IN/OUT	03
L101	ZC791000	PULSE TRANSFORMER	CPFC85	パルストランス		
L401	GE300610	FERRITE BEAD	BL02RN1R2P1A RX T	フェライトビーズ		01
-404	GE300610	FERRITE BEAD	BL02RN1R2P1A RX T	フェライトビーズ		01

*: New Parts

RANK: Japan only

JK and LCDC/USB

REF NO.	PART NO.	DESCRIPTION		部 品 名	REMARKS	QTY	RANK
R101	RD35747R	CARBON RESISTOR (CHIP)	47.0K 63M J RECT.	チ ッ プ 抵 抗			01
-103	RD35747R	CARBON RESISTOR (CHIP)	47.0K 63M J RECT.	チ ッ プ 抵 抗			01
R104	RD254560	CARBON RESISTOR (CHIP)	56.0 0.1 J RECT.	チ ッ プ 抵 抗			01
R201	RD358100	CARBON RESISTOR (CHIP)	100.0K 63M J RECT.	チ ッ プ 抵 抗			01
R202	RD35747R	CARBON RESISTOR (CHIP)	47.0K 63M J RECT.	チ ッ プ 抵 抗			01
-206	RD35747R	CARBON RESISTOR (CHIP)	47.0K 63M J RECT.	チ ッ プ 抵 抗			01
R207	RD356100	CARBON RESISTOR (CHIP)	1.0K 63M J RECT.	チ ッ プ 抵 抗			01
-211	RD356100	CARBON RESISTOR (CHIP)	1.0K 63M J RECT.	チ ッ プ 抵 抗			01
R212	WZ156200	FLAME PROOF CARBON RESISTOR	10.0 1/4 J VTP	不 燃 化 カ ー ボ ン 抵 抗			01
-216	WZ156200	FLAME PROOF CARBON RESISTOR	10.0 1/4 J VTP	不 燃 化 カ ー ボ ン 抵 抗			01
R217	RD355100	CARBON RESISTOR (CHIP)	100.0 63M J RECT.	チ ッ プ 抵 抗			01
-221	RD355100	CARBON RESISTOR (CHIP)	100.0 63M J RECT.	チ ッ プ 抵 抗			01
R301	RD354470	CARBON RESISTOR (CHIP)	47.0 63M J RECT.	チ ッ プ 抵 抗			01
R302	RD354750	CARBON RESISTOR (CHIP)	75.0 63M J RECT.	チ ッ プ 抵 抗			01
R303	RD356220	CARBON RESISTOR (CHIP)	2.2K 63M J RECT.	チ ッ プ 抵 抗			01
R304	RD35347R	CARBON RESISTOR (CHIP)	4.7 63M J RECT.	チ ッ プ 抵 抗			01
R401	RD356100	CARBON RESISTOR (CHIP)	1.0K 63M J RECT.	チ ッ プ 抵 抗			01
R402	RD355220	CARBON RESISTOR (CHIP)	220.0 63M J RECT.	チ ッ プ 抵 抗			01
-404	RD355220	CARBON RESISTOR (CHIP)	220.0 63M J RECT.	チ ッ プ 抵 抗			01
R601	RD354680	CARBON RESISTOR (CHIP)	68.0 63M J RECT.	チ ッ プ 抵 抗			01
RA201	WH214200	RESISTOR ARRAY	100K X 4	抵 抗 ア レ イ			01
RA601	WH206600	RESISTOR ARRAY	68 X 4	抵 抗 ア レ イ			01
TH201	VV21610R	PROTECTOR SWITCH	RXEF050 0.50A 72V	ボ リ ス イ ッ チ			03
TR401	V7798801	DIGITAL TRANSISTOR	TA143ZUA TP	デ ジ タ ル ト ラ ン ジ ス タ			01
TR401	ZC355800	DIGITAL TRANSISTOR	RT1P436M-T111-1	デ ジ タ ル ト ラ ン ジ ス タ			01
*	WY677700	CIRCUIT BOARD	LCDC (LCDCOM)	L C D C シ ー ト	(WY93730)(YD600C0)		
*	WY677600	CIRCUIT BOARD	USB (LCDCOM)	U S B シ ー ト	(WY93730)(YD600C0)		
C101	UF03810R	ELECTROLYTIC CAP. (CHIP)	100 16V	チ ッ プ ケ ミ コ ン			01
-103	UF03810R	ELECTROLYTIC CAP. (CHIP)	100 16V	チ ッ プ ケ ミ コ ン			01
C104	US14510R	CERAMIC CAPACITOR (CHIP)	0.1000 25V Z RECT.	チ ッ プ セ ラ (F)			01
C105	US14510R	CERAMIC CAPACITOR (CHIP)	0.1000 25V Z RECT.	チ ッ プ セ ラ (F)			01
C106	US063100	CERAMIC CAPACITOR (CHIP)	1000P 50V K RECT.	チ ッ プ セ ラ (B)			01
C107	US064100	CERAMIC CAPACITOR (CHIP)	0.0100 50V K RECT.	チ ッ プ セ ラ (B)			01
-110	US064100	CERAMIC CAPACITOR (CHIP)	0.0100 50V K RECT.	チ ッ プ セ ラ (B)			01
C111	US14510R	CERAMIC CAPACITOR (CHIP)	0.1000 25V Z RECT.	チ ッ プ セ ラ (F)			01
C112	US14510R	CERAMIC CAPACITOR (CHIP)	0.1000 25V Z RECT.	チ ッ プ セ ラ (F)			01
C114	US14510R	CERAMIC CAPACITOR (CHIP)	0.1000 25V Z RECT.	チ ッ プ セ ラ (F)			01
C115	US064100	CERAMIC CAPACITOR (CHIP)	0.0100 50V K RECT.	チ ッ プ セ ラ (B)			01
C116	US061470	CERAMIC CAPACITOR (CHIP)	47P 50V J RECT.	チ ッ プ セ ラ (C H)			01
C117	UF056470	ELECTROLYTIC CAP. (CHIP)	4.7 35V	チ ッ プ ケ ミ コ ン			01
C118	WF547900	CERAMIC CAPACITOR (CHIP)	10.000 25V K KAKUT	チ ッ プ セ ラ			01
C119	WF547900	CERAMIC CAPACITOR (CHIP)	10.000 25V K KAKUT	チ ッ プ セ ラ			01
C121	US035100	CERAMIC CAPACITOR (CHIP)	0.1000 16V K RECT.	チ ッ プ セ ラ (B)			01
C122	US064100	CERAMIC CAPACITOR (CHIP)	0.0100 50V K RECT.	チ ッ プ セ ラ (B)			01
C123	WN019700	CERAMIC CAPACITOR (CHIP)	2.200 16V K RECT.	チ ッ プ セ ラ			01
C125	WR351100	CERAMIC CAPACITOR (CHIP)	10 50V M KAKU	チ ッ プ セ ラ コ ン			01
C151	UF158220	ELECTROLYTIC CAP. (CHIP)	220 35V	チ ッ プ ケ ミ コ ン			01
C153	US064100	CERAMIC CAPACITOR (CHIP)	0.0100 50V K RECT.	チ ッ プ セ ラ (B)			01
C155	WM489900	CERAMIC CAPACITOR (CHIP)	10.0000 35V M KAKU	チ ッ プ セ ラ コ ン			01
C156	WM489900	CERAMIC CAPACITOR (CHIP)	10.0000 35V M KAKU	チ ッ プ セ ラ コ ン			01
C157	WJ590700	CERAMIC CAPACITOR (CHIP)	0.47 16V K RECT.	チ ッ プ セ ラ			01
C159	WN019700	CERAMIC CAPACITOR (CHIP)	2.200 16V K RECT.	チ ッ プ セ ラ			01
C160	WD758300	CERAMIC CAPACITOR (CHIP)	10U 10V K RECT.	チ ッ プ セ ラ			01
C161	WD758300	CERAMIC CAPACITOR (CHIP)	10U 10V K RECT.	チ ッ プ セ ラ			01
C162	US063100	CERAMIC CAPACITOR (CHIP)	1000P 50V K RECT.	チ ッ プ セ ラ (B)			01
C163	US062390	CERAMIC CAPACITOR (CHIP)	390P 50V J RECT.	チ ッ プ セ ラ (S L)			01
C201	UF03810R	ELECTROLYTIC CAP. (CHIP)	100 16V	チ ッ プ ケ ミ コ ン			01
C202	US14510R	CERAMIC CAPACITOR (CHIP)	0.1000 25V Z RECT.	チ ッ プ セ ラ (F)			01
-209	US14510R	CERAMIC CAPACITOR (CHIP)	0.1000 25V Z RECT.	チ ッ プ セ ラ (F)			01
C210	WD758300	CERAMIC CAPACITOR (CHIP)	10U 10V K RECT.	チ ッ プ セ ラ			01
-212	WD758300	CERAMIC CAPACITOR (CHIP)	10U 10V K RECT.	チ ッ プ セ ラ			01
C213	US06115R	CERAMIC CAPACITOR (CHIP)	15P 50V J RECT.	チ ッ プ セ ラ (C H)			01
C214	US06115R	CERAMIC CAPACITOR (CHIP)	15P 50V J RECT.	チ ッ プ セ ラ (C H)			01
*	WH937600	ELECTROLYTIC CAP. (CHIP)	120 6.3V	チ ッ プ ケ ミ コ ン			01
C216	US14510R	CERAMIC CAPACITOR (CHIP)	0.1000 25V Z RECT.	チ ッ プ セ ラ (F)			01
-218	US14510R	CERAMIC CAPACITOR (CHIP)	0.1000 25V Z RECT.	チ ッ プ セ ラ (F)			01
C219	US063100	CERAMIC CAPACITOR (CHIP)	1000P 50V K RECT.	チ ッ プ セ ラ (B)			01
C220	US063100	CERAMIC CAPACITOR (CHIP)	1000P 50V K RECT.	チ ッ プ セ ラ (B)			01
CN101	VR134300	CONNECTOR	PH 6P SE	ベ ー ス 付 ボ ス ト			01

*: New Parts

RANK: Japan only

LCDC/USB

REF NO.	PART NO.	DESCRIPTION	部 品 名	REMARKS	QTY	RANK
CN102	VT619100	CONNECTOR	PH 5P SE	ベース付ポスト		01
CN103	WE19800R	FFC CONNECTOR	FFS 4P SE	FFCコネクタ		02
* CN104	WN388200	CONNECTOR	SHL 6P SE	ベースポスト		
CN150	V2915800	CONNECTOR	PH 4P SE	ベース付ポスト		01
* CN151	WA598600	CONNECTOR	SH 06P SE	コネクタベースポスト		
CN201	VT388600	CONNECTOR	PH 5P TE	ベース付ポスト		01
CN202	VT388500	CONNECTOR	PH 4P TE	ベース付ポスト		01
CN203	WH382500	USB CONNECTOR	UAR27 4P SE	USBコネクタ	USB HOST	01
D101	V840920R	DIODE (CHIP)	RB160L-60 TE	チップダイオード		01
D150	V476680R	DIODE (CHIP)	RB060L-40 TAPING	チップダイオード		01
DA101	WE97260R	ZENER DIODE	HZM6.2ZMFATR-E	ツェナーダイオード		01
DA102	WE97260R	ZENER DIODE	HZM6.2ZMFATR-E	ツェナーダイオード		01
DA201	WE29780R	ZENER DIODE	HZM6.2Z4MFA TR-E	ツェナーダイオード		01
EM101	VZ58110R	EMI FILTER (CHIP)	31PT222Z1E9L TP	チップエミフィル		01
EM201	VZ58110R	EMI FILTER (CHIP)	31PT222Z1E9L TP	チップエミフィル		01
* FT101	WZ011600	FET	RQK0608BQDQSTL-E	F E T		
* IC101	YD803A00	IC	M38039G4HHP	I C	CPU (LCDC)	
IC102	X8721A00	IC	AK2923H-E2	I C	DUAL OPERATIONAL AMPLIFIER	02
IC103	XY806A0R	IC	TC7WH14FU(TE12L,F)	I C	INVERTER	02
IC105	XW948A0R	IC	TC7WH08FU(TE12L,F)	I C	AND	01
* IC106	YD627A00	IC	BD8113EFV-E2	I C	LED DRIVER	
IC150	YD705A00	IC	R1243S001D-E2-FE	I C	DC-DC CONVERTER	02
IC201	YC486A00	IC	GL852G-MNG03	I C	USB 2.0 MTT HUB CONTROLLER	04
IC202	XY806A0R	IC	TC7WH14FU(TE12L,F)	I C	INVERTER	02
IC203	X7569A00	IC	R5520H001B-T1-F	I C	USB HIGH-SIDE POWER SWITCH	03
IC204	X3833A0R	IC	SN74AHC1G08DCKR	I C	AND	01
IC204	XR680A00	IC	TC7SH08FU(TE85L,JF)	I C	HIGH-PRECISION VOLTAGE DETECTOR	01
IC205	X0009A0R	IC	S-80128BNMC-JGNT2G	I C		03
* L101	WZ893000	COIL	ACM7060-701-2PL-TL	コ イ ル		
L102	V858970R	INDUCTOR (CHIP)	330uH SLF7045T-331M	チップインダクタ		02
L103	WM457500	COIL	1.5uH 7E04NA-1R5N-R SMD	コイル 1.5 U		01
* L104	WK727500	COIL INDUCTOR CHIP	47uH	チップインダクタ		
L105	VU95400R	CHIP INDUCTANCE	BLM21PG300SN1D	チップソリッドインダクタ		01
L150	V5431600	INDUCTOR (CHIP)	10uH SLF10145T	チップインダクタ		
* L201	WZ893000	COIL	ACM7060-701-2PL-TL	コ イ ル		
L202	WG834800	COIL	DLW21HN900SQ2L	コ イ ル		01
L203	WG834800	COIL	DLW21HN900SQ2L	コ イ ル		01
L204	VU95400R	CHIP INDUCTANCE	BLM21PG300SN1D	チップソリッドインダクタ		01
-206	VU95400R	CHIP INDUCTANCE	BLM21PG300SN1D	チップソリッドインダクタ		01
R101	RD356470	CARBON RESISTOR (CHIP)	4.7K 63M J RECT.	チ ッ プ 抵 抗		01
-103	RD356470	CARBON RESISTOR (CHIP)	4.7K 63M J RECT.	チ ッ プ 抵 抗		01
R104	RD35439R	CARBON RESISTOR (CHIP)	39.0 63M J RECT.	チ ッ プ 抵 抗		01
R105	RD35439R	CARBON RESISTOR (CHIP)	39.0 63M J RECT.	チ ッ プ 抵 抗		01
R106	RD356100	CARBON RESISTOR (CHIP)	1.0K 63M J RECT.	チ ッ プ 抵 抗		01
R107	RD357100	CARBON RESISTOR (CHIP)	10.0K 63M J RECT.	チ ッ プ 抵 抗		01
R109	RD350001	CARBON RESISTOR (CHIP)	0 63M J RECT.	チ ッ プ 抵 抗		01
R110	RD350001	CARBON RESISTOR (CHIP)	0 63M J RECT.	チ ッ プ 抵 抗		01
R111	RD356470	CARBON RESISTOR (CHIP)	4.7K 63M J RECT.	チ ッ プ 抵 抗		01
R112	RD357100	CARBON RESISTOR (CHIP)	10.0K 63M J RECT.	チ ッ プ 抵 抗		01
-115	RD357100	CARBON RESISTOR (CHIP)	10.0K 63M J RECT.	チ ッ プ 抵 抗		01
R116	RD15447R	CARBON RESISTOR (CHIP)	47.0 1/4 J TP	チ ッ プ 抵 抗		01
R117	RD356330	CARBON RESISTOR (CHIP)	3.3K 63M J RECT.	チ ッ プ 抵 抗		01
R118	RF458470	CARBON RESISTOR (CHIP)	470.0K D RECT.	チ ッ プ 抵 抗		01
R119	RF45833R	CARBON RESISTOR (CHIP)	330.0K D RECT.	チ ッ プ 抵 抗		01
R120	RD350001	CARBON RESISTOR (CHIP)	0 63M J RECT.	チ ッ プ 抵 抗		01
R121	RD355100	CARBON RESISTOR (CHIP)	100.0 63M J RECT.	チ ッ プ 抵 抗		01
R122	RD355510	CARBON RESISTOR (CHIP)	510.0 63M J RECT.	チ ッ プ 抵 抗		01
R123	RF457560	CARBON RESISTOR (CHIP)	56.0K D RECT.	チ ッ プ 抵 抗		01
R124	V6768700	CARBON RESISTOR (CHIP)	0.33 3/4 J RECT.	チ ッ プ 抵 抗		01
R125	RD350001	CARBON RESISTOR (CHIP)	0 63M J RECT.	チ ッ プ 抵 抗		01
R126	RF45782R	CARBON RESISTOR (CHIP)	82.0K D RECT.	チ ッ プ 抵 抗		01
R127	RD356470	CARBON RESISTOR (CHIP)	4.7K 63M J RECT.	チ ッ プ 抵 抗		01
R128	RF458220	CARBON RESISTOR (CHIP)	220.0K D RECT.	チ ッ プ 抵 抗		01
R129	RF457120	CARBON RESISTOR (CHIP)	12.0K D RECT.	チ ッ プ 抵 抗		01
R131	RD35410R	CARBON RESISTOR (CHIP)	10.0 63M J RECT.	チ ッ プ 抵 抗		01
R132	RD356470	CARBON RESISTOR (CHIP)	4.7K 63M J RECT.	チ ッ プ 抵 抗		01
R150	RF456220	CARBON RESISTOR (CHIP)	2.2K D RECT.	チ ッ プ 抵 抗		01
R151	RF457100	CARBON RESISTOR (CHIP)	10.0K D RECT.	チ ッ プ 抵 抗		01
R152	RF456220	CARBON RESISTOR (CHIP)	2.2K D RECT.	チ ッ プ 抵 抗		01
R154	RD350001	CARBON RESISTOR (CHIP)	0 63M J RECT.	チ ッ プ 抵 抗		01

*: New Parts

RANK: Japan only

LCDC/USB and MB

REF NO.	PART NO.	DESCRIPTION		部 品 名	REMARKS	QTY	RANK
R155	RD356100	CARBON RESISTOR (CHIP)	1.0K 63M J RECT.	チ ッ プ 抵 抗			01
R156	RD350001	CARBON RESISTOR (CHIP)	0 63M J RECT.	チ ッ プ 抵 抗			01
R201	RD357100	CARBON RESISTOR (CHIP)	10.0K 63M J RECT.	チ ッ プ 抵 抗			01
R202	RF455680	CARBON RESISTOR (CHIP)	680.0 D RECT.	チ ッ プ 抵 抗			
R203	RD357100	CARBON RESISTOR (CHIP)	10.0K 63M J RECT.	チ ッ プ 抵 抗			01
R205	RD357100	CARBON RESISTOR (CHIP)	10.0K 63M J RECT.	チ ッ プ 抵 抗			01
R206	RD358100	CARBON RESISTOR (CHIP)	100.0K 63M J RECT.	チ ッ プ 抵 抗			01
R207	RD356100	CARBON RESISTOR (CHIP)	1.0K 63M J RECT.	チ ッ プ 抵 抗			01
R208	RD350001	CARBON RESISTOR (CHIP)	0 63M J RECT.	チ ッ プ 抵 抗			01
R209	RD357100	CARBON RESISTOR (CHIP)	10.0K 63M J RECT.	チ ッ プ 抵 抗			01
-211	RD357100	CARBON RESISTOR (CHIP)	10.0K 63M J RECT.	チ ッ プ 抵 抗			01
RA101	WH209400	RESISTOR ARRAY	1.0K X 4	抵 抗 ア レ イ			
TR101	WE51640R	DIGITAL TRANSISTOR	DTA143XKAT146	デ ジ タ ル ト ラ ン ジ ス タ			01
TR102	WE51640R	DIGITAL TRANSISTOR	DTA143XKAT146	デ ジ タ ル ト ラ ン ジ ス タ			01
TR103	V303350R	DIGITAL TRANSISTOR	DTC143XKA TP	デ ジ タ ル ト ラ ン ジ ス タ			01
TR104	V303350R	DIGITAL TRANSISTOR	DTC143XKA TP	デ ジ タ ル ト ラ ン ジ ス タ			01
TR105	WE51640R	DIGITAL TRANSISTOR	DTA143XKAT146	デ ジ タ ル ト ラ ン ジ ス タ			01
X101	WB09320R	CERAMIC RESONATOR	CSTCE16M0V51-R0	セ ラ ミ ッ ク 振 動 子			01
X201	WK192600	QUARTZ CRYSTAL UNIT	12MHz DSX321G	水 晶 振 動 子			04
*	WY532100	CIRCUIT BOARD	MB (MBCOM)	M B シ ー ト	(WY53200)(YD538C0)		
C001	US14510R	CERAMIC CAPACITOR (CHIP)	0.1000 25V Z RECT.	チ ッ プ セ ラ (F)			01
C002	US14510R	CERAMIC CAPACITOR (CHIP)	0.1000 25V Z RECT.	チ ッ プ セ ラ (F)			01
C003	US063100	CERAMIC CAPACITOR (CHIP)	1000P 50V K RECT.	チ ッ プ セ ラ (B)			01
C004	US14510R	CERAMIC CAPACITOR (CHIP)	0.1000 25V Z RECT.	チ ッ プ セ ラ (F)			01
-006	US14510R	CERAMIC CAPACITOR (CHIP)	0.1000 25V Z RECT.	チ ッ プ セ ラ (F)			01
C007	UF03810R	ELECTROLYTIC CAP. (CHIP)	100 16V	チ ッ プ ケ ミ コ ン			01
C008	UF03810R	ELECTROLYTIC CAP. (CHIP)	100 16V	チ ッ プ ケ ミ コ ン			01
C010	US14510R	CERAMIC CAPACITOR (CHIP)	0.1000 25V Z RECT.	チ ッ プ セ ラ (F)			01
-014	US14510R	CERAMIC CAPACITOR (CHIP)	0.1000 25V Z RECT.	チ ッ プ セ ラ (F)			01
C015	UF03810R	ELECTROLYTIC CAP. (CHIP)	100 16V	チ ッ プ ケ ミ コ ン			01
-018	UF03810R	ELECTROLYTIC CAP. (CHIP)	100 16V	チ ッ プ ケ ミ コ ン			01
C019	US14510R	CERAMIC CAPACITOR (CHIP)	0.1000 25V Z RECT.	チ ッ プ セ ラ (F)			01
-021	US14510R	CERAMIC CAPACITOR (CHIP)	0.1000 25V Z RECT.	チ ッ プ セ ラ (F)			01
C022	US662100	CERAMIC CAPACITOR (CHIP)	100P 50V J RECT.	チ ッ プ セ ラ (C H)			
-084	US662100	CERAMIC CAPACITOR (CHIP)	100P 50V J RECT.	チ ッ プ セ ラ (C H)			
CN001	VT619600	CONNECTOR	PH 10P SE	ベ ー ス 付 ポ ス ト			01
DA001	WE97260R	ZENER DIODE	HZM6.2ZMFATR-E	ツ ェ ナ ー ダイ オ ー ド			01
EM001	ZC805200	EMI FILTER (CHIP)	31PT222Z1E9L TP	チ ッ プ エ ミ フィ ル			01
EM002	ZC805200	EMI FILTER (CHIP)	31PT222Z1E9L TP	チ ッ プ エ ミ フィ ル			01
* FT001	WZ020500	FET	TPCF8305,LF(J TE)	F E T			
* -004	WZ020500	FET	TPCF8305,LF(J TE)	F E T			
* IC001	YD649A00	IC	LPC1313FBD48/01	I C	CPU (C-MB2)		
* IC003	YD685A00	IC	TLC5941PWPR	I C	LED DRIVER		
* IC004	X7284A00	IC	SN74LV138APWR	I C	DECODER		01
* IC005	YD685A00	IC	TLC5941PWPR	I C	LED DRIVER		
* -007	YD685A00	IC	TLC5941PWPR	I C	LED DRIVER		
L001	WB24830R	INDUCTOR (CHIP)	BLM18RK121SN1D	チ ッ プ イ ン ダ ク タ			01
-003	WB24830R	INDUCTOR (CHIP)	BLM18RK121SN1D	チ ッ プ イ ン ダ ク タ			01
* LD001	WY781500	LED (CHIP) RED	SML-D12U8WT86(Q/R)	チ ッ プ L E D	MIX 1 OVER		
LD002	WW948900	LED (CHIP) ORANGE	SML-D12D8WT86(R/S)	チ ッ プ L E D	MIX 1-3		
LD003	WW948900	LED (CHIP) ORANGE	SML-D12D8WT86(R/S)	チ ッ プ L E D	MIX 1-6		
LD004	WW948900	LED (CHIP) ORANGE	SML-D12D8WT86(R/S)	チ ッ プ L E D	MIX 1-9		
LD005	WW948900	LED (CHIP) ORANGE	SML-D12D8WT86(R/S)	チ ッ プ L E D	MIX 1-12		
LD006	WW948900	LED (CHIP) ORANGE	SML-D12D8WT86(R/S)	チ ッ プ L E D	MIX 1-15		
LD007	WW948900	LED (CHIP) ORANGE	SML-D12D8WT86(R/S)	チ ッ プ L E D	MIX 1-18		
LD008	WY781600	LED (CHIP) GREEN	SML-D12M8WT86(N/P)	チ ッ プ L E D	MIX 1-24		
* LD009	WY781600	LED (CHIP) GREEN	SML-D12M8WT86(N/P)	チ ッ プ L E D	MIX 1-30		
* LD010	WY781600	LED (CHIP) GREEN	SML-D12M8WT86(N/P)	チ ッ プ L E D	MIX 1-40		
* LD011	WY781600	LED (CHIP) GREEN	SML-D12M8WT86(N/P)	チ ッ プ L E D	MIX 1-50		
* LD012	WY781600	LED (CHIP) GREEN	SML-D12M8WT86(N/P)	チ ッ プ L E D	MIX 1-60		
* LD013	WY781500	LED (CHIP) RED	SML-D12U8WT86(Q/R)	チ ッ プ L E D	MIX 2 OVER		
LD014	WW948900	LED (CHIP) ORANGE	SML-D12D8WT86(R/S)	チ ッ プ L E D	MIX 2-3		
LD015	WW948900	LED (CHIP) ORANGE	SML-D12D8WT86(R/S)	チ ッ プ L E D	MIX 2-6		
LD016	WW948900	LED (CHIP) ORANGE	SML-D12D8WT86(R/S)	チ ッ プ L E D	MIX 2-9		
LD017	WW948900	LED (CHIP) ORANGE	SML-D12D8WT86(R/S)	チ ッ プ L E D	MIX 2-12		
LD018	WW948900	LED (CHIP) ORANGE	SML-D12D8WT86(R/S)	チ ッ プ L E D	MIX 2-15		
LD019	WW948900	LED (CHIP) ORANGE	SML-D12D8WT86(R/S)	チ ッ プ L E D	MIX 2-18		
* LD020	WY781600	LED (CHIP) GREEN	SML-D12M8WT86(N/P)	チ ッ プ L E D	MIX 2-24		
* LD021	WY781600	LED (CHIP) GREEN	SML-D12M8WT86(N/P)	チ ッ プ L E D	MIX 2-30		

*: New Parts

RANK: Japan only

MB

REF NO.	PART NO.	DESCRIPTION		部	品	名	REMARKS	QTY	RANK
* LD092	WY781600	LED (CHIP) GREEN	SML-D12M8WT86(N/P)	チ	ッ	ブ	L E D	MIX 8 -24	
* LD093	WY781600	LED (CHIP) GREEN	SML-D12M8WT86(N/P)	チ	ッ	ブ	L E D	MIX 8 -30	
* LD094	WY781600	LED (CHIP) GREEN	SML-D12M8WT86(N/P)	チ	ッ	ブ	L E D	MIX 8 -40	
* LD095	WY781600	LED (CHIP) GREEN	SML-D12M8WT86(N/P)	チ	ッ	ブ	L E D	MIX 8 -50	
* LD096	WY781600	LED (CHIP) GREEN	SML-D12M8WT86(N/P)	チ	ッ	ブ	L E D	MIX 8 -60	
* LD097	WY781500	LED (CHIP) RED	SML-D12U8WT86(Q/R)	チ	ッ	ブ	L E D	MIX 9 OVER	
LD098	WW948900	LED (CHIP) ORANGE	SML-D12D8WT86(R/S)	チ	ッ	ブ	L E D	MIX 9 -3	
LD099	WW948900	LED (CHIP) ORANGE	SML-D12D8WT86(R/S)	チ	ッ	ブ	L E D	MIX 9 -6	
LD100	WW948900	LED (CHIP) ORANGE	SML-D12D8WT86(R/S)	チ	ッ	ブ	L E D	MIX 9 -9	
LD101	WW948900	LED (CHIP) ORANGE	SML-D12D8WT86(R/S)	チ	ッ	ブ	L E D	MIX 9 -12	
LD102	WW948900	LED (CHIP) ORANGE	SML-D12D8WT86(R/S)	チ	ッ	ブ	L E D	MIX 9 -15	
LD103	WW948900	LED (CHIP) ORANGE	SML-D12D8WT86(R/S)	チ	ッ	ブ	L E D	MIX 9 -18	
* LD104	WY781600	LED (CHIP) GREEN	SML-D12M8WT86(N/P)	チ	ッ	ブ	L E D	MIX 9 -24	
* LD105	WY781600	LED (CHIP) GREEN	SML-D12M8WT86(N/P)	チ	ッ	ブ	L E D	MIX 9 -30	
* LD106	WY781600	LED (CHIP) GREEN	SML-D12M8WT86(N/P)	チ	ッ	ブ	L E D	MIX 9 -40	
* LD107	WY781600	LED (CHIP) GREEN	SML-D12M8WT86(N/P)	チ	ッ	ブ	L E D	MIX 9 -50	
* LD108	WY781600	LED (CHIP) GREEN	SML-D12M8WT86(N/P)	チ	ッ	ブ	L E D	MIX 9 -60	
* LD109	WY781500	LED (CHIP) RED	SML-D12U8WT86(Q/R)	チ	ッ	ブ	L E D	MIX 10 OVER	
LD110	WW948900	LED (CHIP) ORANGE	SML-D12D8WT86(R/S)	チ	ッ	ブ	L E D	MIX 10 -3	
LD111	WW948900	LED (CHIP) ORANGE	SML-D12D8WT86(R/S)	チ	ッ	ブ	L E D	MIX 10 -6	
LD112	WW948900	LED (CHIP) ORANGE	SML-D12D8WT86(R/S)	チ	ッ	ブ	L E D	MIX 10 -9	
LD113	WW948900	LED (CHIP) ORANGE	SML-D12D8WT86(R/S)	チ	ッ	ブ	L E D	MIX 10 -12	
LD114	WW948900	LED (CHIP) ORANGE	SML-D12D8WT86(R/S)	チ	ッ	ブ	L E D	MIX 10 -15	
LD115	WW948900	LED (CHIP) ORANGE	SML-D12D8WT86(R/S)	チ	ッ	ブ	L E D	MIX 10 -18	
* LD116	WY781600	LED (CHIP) GREEN	SML-D12M8WT86(N/P)	チ	ッ	ブ	L E D	MIX 10 -24	
* LD117	WY781600	LED (CHIP) GREEN	SML-D12M8WT86(N/P)	チ	ッ	ブ	L E D	MIX 10 -30	
* LD118	WY781600	LED (CHIP) GREEN	SML-D12M8WT86(N/P)	チ	ッ	ブ	L E D	MIX 10 -40	
* LD119	WY781600	LED (CHIP) GREEN	SML-D12M8WT86(N/P)	チ	ッ	ブ	L E D	MIX 10 -50	
* LD120	WY781600	LED (CHIP) GREEN	SML-D12M8WT86(N/P)	チ	ッ	ブ	L E D	MIX 10 -60	
* LD121	WY781500	LED (CHIP) RED	SML-D12U8WT86(Q/R)	チ	ッ	ブ	L E D	MIX 11 OVER	
LD122	WW948900	LED (CHIP) ORANGE	SML-D12D8WT86(R/S)	チ	ッ	ブ	L E D	MIX 11 -3	
LD123	WW948900	LED (CHIP) ORANGE	SML-D12D8WT86(R/S)	チ	ッ	ブ	L E D	MIX 11 -6	
LD124	WW948900	LED (CHIP) ORANGE	SML-D12D8WT86(R/S)	チ	ッ	ブ	L E D	MIX 11 -9	
LD125	WW948900	LED (CHIP) ORANGE	SML-D12D8WT86(R/S)	チ	ッ	ブ	L E D	MIX 11 -12	
LD126	WW948900	LED (CHIP) ORANGE	SML-D12D8WT86(R/S)	チ	ッ	ブ	L E D	MIX 11 -15	
LD127	WW948900	LED (CHIP) ORANGE	SML-D12D8WT86(R/S)	チ	ッ	ブ	L E D	MIX 11 -18	
* LD128	WY781600	LED (CHIP) GREEN	SML-D12M8WT86(N/P)	チ	ッ	ブ	L E D	MIX 11 -24	
* LD129	WY781600	LED (CHIP) GREEN	SML-D12M8WT86(N/P)	チ	ッ	ブ	L E D	MIX 11 -30	
* LD130	WY781600	LED (CHIP) GREEN	SML-D12M8WT86(N/P)	チ	ッ	ブ	L E D	MIX 11 -40	
* LD131	WY781600	LED (CHIP) GREEN	SML-D12M8WT86(N/P)	チ	ッ	ブ	L E D	MIX 11 -50	
* LD132	WY781600	LED (CHIP) GREEN	SML-D12M8WT86(N/P)	チ	ッ	ブ	L E D	MIX 11 -60	
* LD133	WY781500	LED (CHIP) RED	SML-D12U8WT86(Q/R)	チ	ッ	ブ	L E D	MIX 12 OVER	
LD134	WW948900	LED (CHIP) ORANGE	SML-D12D8WT86(R/S)	チ	ッ	ブ	L E D	MIX 12 -3	
LD135	WW948900	LED (CHIP) ORANGE	SML-D12D8WT86(R/S)	チ	ッ	ブ	L E D	MIX 12 -6	
LD136	WW948900	LED (CHIP) ORANGE	SML-D12D8WT86(R/S)	チ	ッ	ブ	L E D	MIX 12 -9	
LD137	WW948900	LED (CHIP) ORANGE	SML-D12D8WT86(R/S)	チ	ッ	ブ	L E D	MIX 12 -12	
LD138	WW948900	LED (CHIP) ORANGE	SML-D12D8WT86(R/S)	チ	ッ	ブ	L E D	MIX 12 -15	
LD139	WW948900	LED (CHIP) ORANGE	SML-D12D8WT86(R/S)	チ	ッ	ブ	L E D	MIX 12 -18	
* LD140	WY781600	LED (CHIP) GREEN	SML-D12M8WT86(N/P)	チ	ッ	ブ	L E D	MIX 12 -24	
* LD141	WY781600	LED (CHIP) GREEN	SML-D12M8WT86(N/P)	チ	ッ	ブ	L E D	MIX 12 -30	
* LD142	WY781600	LED (CHIP) GREEN	SML-D12M8WT86(N/P)	チ	ッ	ブ	L E D	MIX 12 -40	
* LD143	WY781600	LED (CHIP) GREEN	SML-D12M8WT86(N/P)	チ	ッ	ブ	L E D	MIX 12 -50	
* LD144	WY781600	LED (CHIP) GREEN	SML-D12M8WT86(N/P)	チ	ッ	ブ	L E D	MIX 12 -60	
* LD145	WY781500	LED (CHIP) RED	SML-D12U8WT86(Q/R)	チ	ッ	ブ	L E D	MIX 13 OVER	
LD146	WW948900	LED (CHIP) ORANGE	SML-D12D8WT86(R/S)	チ	ッ	ブ	L E D	MIX 13 -3	
LD147	WW948900	LED (CHIP) ORANGE	SML-D12D8WT86(R/S)	チ	ッ	ブ	L E D	MIX 13 -6	
LD148	WW948900	LED (CHIP) ORANGE	SML-D12D8WT86(R/S)	チ	ッ	ブ	L E D	MIX 13 -9	
LD149	WW948900	LED (CHIP) ORANGE	SML-D12D8WT86(R/S)	チ	ッ	ブ	L E D	MIX 13 -12	
LD150	WW948900	LED (CHIP) ORANGE	SML-D12D8WT86(R/S)	チ	ッ	ブ	L E D	MIX 13 -15	
LD151	WW948900	LED (CHIP) ORANGE	SML-D12D8WT86(R/S)	チ	ッ	ブ	L E D	MIX 13 -18	
* LD152	WY781600	LED (CHIP) GREEN	SML-D12M8WT86(N/P)	チ	ッ	ブ	L E D	MIX 13 -24	
* LD153	WY781600	LED (CHIP) GREEN	SML-D12M8WT86(N/P)	チ	ッ	ブ	L E D	MIX 13 -30	
* LD154	WY781600	LED (CHIP) GREEN	SML-D12M8WT86(N/P)	チ	ッ	ブ	L E D	MIX 13 -40	
* LD155	WY781600	LED (CHIP) GREEN	SML-D12M8WT86(N/P)	チ	ッ	ブ	L E D	MIX 13 -50	
* LD156	WY781600	LED (CHIP) GREEN	SML-D12M8WT86(N/P)	チ	ッ	ブ	L E D	MIX 13 -60	
* LD157	WY781500	LED (CHIP) RED	SML-D12U8WT86(Q/R)	チ	ッ	ブ	L E D	MIX 14 OVER	
LD158	WW948900	LED (CHIP) ORANGE	SML-D12D8WT86(R/S)	チ	ッ	ブ	L E D	MIX 14 -3	
LD159	WW948900	LED (CHIP) ORANGE	SML-D12D8WT86(R/S)	チ	ッ	ブ	L E D	MIX 14 -6	
LD160	WW948900	LED (CHIP) ORANGE	SML-D12D8WT86(R/S)	チ	ッ	ブ	L E D	MIX 14 -9	
LD161	WW948900	LED (CHIP) ORANGE	SML-D12D8WT86(R/S)	チ	ッ	ブ	L E D	MIX 14 -12	

*: New Parts

RANK: Japan only

MB

REF NO.	PART NO.	DESCRIPTION	部	品	名	REMARKS	QTY	RANK
LD232	WW948900	LED (CHIP) ORANGE	SML-D12D8WT86(R/S)	チ	ッ	ブ L E D	MIX 20 -9	
LD233	WW948900	LED (CHIP) ORANGE	SML-D12D8WT86(R/S)	チ	ッ	ブ L E D	MIX 20 -12	
LD234	WW948900	LED (CHIP) ORANGE	SML-D12D8WT86(R/S)	チ	ッ	ブ L E D	MIX 20 -15	
LD235	WW948900	LED (CHIP) ORANGE	SML-D12D8WT86(R/S)	チ	ッ	ブ L E D	MIX 20 -18	
* LD236	WY781600	LED (CHIP) GREEN	SML-D12M8WT86(N/P)	チ	ッ	ブ L E D	MIX 20 -24	
* LD237	WY781600	LED (CHIP) GREEN	SML-D12M8WT86(N/P)	チ	ッ	ブ L E D	MIX 20 -30	
* LD238	WY781600	LED (CHIP) GREEN	SML-D12M8WT86(N/P)	チ	ッ	ブ L E D	MIX 20 -40	
* LD239	WY781600	LED (CHIP) GREEN	SML-D12M8WT86(N/P)	チ	ッ	ブ L E D	MIX 20 -50	
* LD240	WY781600	LED (CHIP) GREEN	SML-D12M8WT86(N/P)	チ	ッ	ブ L E D	MIX 20 -60	
* LD241	WY781500	LED (CHIP) RED	SML-D12U8WT86(Q/R)	チ	ッ	ブ L E D	MIX 21 OVER	
LD242	WW948900	LED (CHIP) ORANGE	SML-D12D8WT86(R/S)	チ	ッ	ブ L E D	MIX 21 -3	
LD243	WW948900	LED (CHIP) ORANGE	SML-D12D8WT86(R/S)	チ	ッ	ブ L E D	MIX 21 -6	
LD244	WW948900	LED (CHIP) ORANGE	SML-D12D8WT86(R/S)	チ	ッ	ブ L E D	MIX 21 -9	
LD245	WW948900	LED (CHIP) ORANGE	SML-D12D8WT86(R/S)	チ	ッ	ブ L E D	MIX 21 -12	
LD246	WW948900	LED (CHIP) ORANGE	SML-D12D8WT86(R/S)	チ	ッ	ブ L E D	MIX 21 -15	
LD247	WW948900	LED (CHIP) ORANGE	SML-D12D8WT86(R/S)	チ	ッ	ブ L E D	MIX 21 -18	
* LD248	WY781600	LED (CHIP) GREEN	SML-D12M8WT86(N/P)	チ	ッ	ブ L E D	MIX 21 -24	
* LD249	WY781600	LED (CHIP) GREEN	SML-D12M8WT86(N/P)	チ	ッ	ブ L E D	MIX 21 -30	
* LD250	WY781600	LED (CHIP) GREEN	SML-D12M8WT86(N/P)	チ	ッ	ブ L E D	MIX 21 -40	
* LD251	WY781600	LED (CHIP) GREEN	SML-D12M8WT86(N/P)	チ	ッ	ブ L E D	MIX 21 -50	
* LD252	WY781600	LED (CHIP) GREEN	SML-D12M8WT86(N/P)	チ	ッ	ブ L E D	MIX 21 -60	
* LD253	WY781500	LED (CHIP) RED	SML-D12U8WT86(Q/R)	チ	ッ	ブ L E D	MIX 22 OVER	
LD254	WW948900	LED (CHIP) ORANGE	SML-D12D8WT86(R/S)	チ	ッ	ブ L E D	MIX 22 -3	
LD255	WW948900	LED (CHIP) ORANGE	SML-D12D8WT86(R/S)	チ	ッ	ブ L E D	MIX 22 -6	
LD256	WW948900	LED (CHIP) ORANGE	SML-D12D8WT86(R/S)	チ	ッ	ブ L E D	MIX 22 -9	
LD257	WW948900	LED (CHIP) ORANGE	SML-D12D8WT86(R/S)	チ	ッ	ブ L E D	MIX 22 -12	
LD258	WW948900	LED (CHIP) ORANGE	SML-D12D8WT86(R/S)	チ	ッ	ブ L E D	MIX 22 -15	
LD259	WW948900	LED (CHIP) ORANGE	SML-D12D8WT86(R/S)	チ	ッ	ブ L E D	MIX 22 -18	
* LD260	WY781600	LED (CHIP) GREEN	SML-D12M8WT86(N/P)	チ	ッ	ブ L E D	MIX 22 -24	
* LD261	WY781600	LED (CHIP) GREEN	SML-D12M8WT86(N/P)	チ	ッ	ブ L E D	MIX 22 -30	
* LD262	WY781600	LED (CHIP) GREEN	SML-D12M8WT86(N/P)	チ	ッ	ブ L E D	MIX 22 -40	
* LD263	WY781600	LED (CHIP) GREEN	SML-D12M8WT86(N/P)	チ	ッ	ブ L E D	MIX 22 -50	
* LD264	WY781600	LED (CHIP) GREEN	SML-D12M8WT86(N/P)	チ	ッ	ブ L E D	MIX 22 -60	
* LD265	WY781500	LED (CHIP) RED	SML-D12U8WT86(Q/R)	チ	ッ	ブ L E D	MIX 23 OVER	
LD266	WW948900	LED (CHIP) ORANGE	SML-D12D8WT86(R/S)	チ	ッ	ブ L E D	MIX 23 -3	
LD267	WW948900	LED (CHIP) ORANGE	SML-D12D8WT86(R/S)	チ	ッ	ブ L E D	MIX 23 -6	
LD268	WW948900	LED (CHIP) ORANGE	SML-D12D8WT86(R/S)	チ	ッ	ブ L E D	MIX 23 -9	
LD269	WW948900	LED (CHIP) ORANGE	SML-D12D8WT86(R/S)	チ	ッ	ブ L E D	MIX 23 -12	
LD270	WW948900	LED (CHIP) ORANGE	SML-D12D8WT86(R/S)	チ	ッ	ブ L E D	MIX 23 -15	
LD271	WW948900	LED (CHIP) ORANGE	SML-D12D8WT86(R/S)	チ	ッ	ブ L E D	MIX 23 -18	
* LD272	WY781600	LED (CHIP) GREEN	SML-D12M8WT86(N/P)	チ	ッ	ブ L E D	MIX 23 -24	
* LD273	WY781600	LED (CHIP) GREEN	SML-D12M8WT86(N/P)	チ	ッ	ブ L E D	MIX 23 -30	
* LD274	WY781600	LED (CHIP) GREEN	SML-D12M8WT86(N/P)	チ	ッ	ブ L E D	MIX 23 -40	
* LD275	WY781600	LED (CHIP) GREEN	SML-D12M8WT86(N/P)	チ	ッ	ブ L E D	MIX 23 -50	
* LD276	WY781600	LED (CHIP) GREEN	SML-D12M8WT86(N/P)	チ	ッ	ブ L E D	MIX 23 -60	
* LD277	WY781500	LED (CHIP) RED	SML-D12U8WT86(Q/R)	チ	ッ	ブ L E D	MIX 24 OVER	
LD278	WW948900	LED (CHIP) ORANGE	SML-D12D8WT86(R/S)	チ	ッ	ブ L E D	MIX 24 -3	
LD279	WW948900	LED (CHIP) ORANGE	SML-D12D8WT86(R/S)	チ	ッ	ブ L E D	MIX 24 -6	
LD280	WW948900	LED (CHIP) ORANGE	SML-D12D8WT86(R/S)	チ	ッ	ブ L E D	MIX 24 -9	
LD281	WW948900	LED (CHIP) ORANGE	SML-D12D8WT86(R/S)	チ	ッ	ブ L E D	MIX 24 -12	
LD282	WW948900	LED (CHIP) ORANGE	SML-D12D8WT86(R/S)	チ	ッ	ブ L E D	MIX 24 -15	
LD283	WW948900	LED (CHIP) ORANGE	SML-D12D8WT86(R/S)	チ	ッ	ブ L E D	MIX 24 -18	
* LD284	WY781600	LED (CHIP) GREEN	SML-D12M8WT86(N/P)	チ	ッ	ブ L E D	MIX 24 -24	
* LD285	WY781600	LED (CHIP) GREEN	SML-D12M8WT86(N/P)	チ	ッ	ブ L E D	MIX 24 -30	
* LD286	WY781600	LED (CHIP) GREEN	SML-D12M8WT86(N/P)	チ	ッ	ブ L E D	MIX 24 -40	
* LD287	WY781600	LED (CHIP) GREEN	SML-D12M8WT86(N/P)	チ	ッ	ブ L E D	MIX 24 -50	
* LD288	WY781600	LED (CHIP) GREEN	SML-D12M8WT86(N/P)	チ	ッ	ブ L E D	MIX 24 -60	
* LD289	WY781500	LED (CHIP) RED	SML-D12U8WT86(Q/R)	チ	ッ	ブ L E D	MATRIX 1 OVER	
LD290	WW948900	LED (CHIP) ORANGE	SML-D12D8WT86(R/S)	チ	ッ	ブ L E D	MATRIX 1 -3	
LD291	WW948900	LED (CHIP) ORANGE	SML-D12D8WT86(R/S)	チ	ッ	ブ L E D	MATRIX 1 -6	
LD292	WW948900	LED (CHIP) ORANGE	SML-D12D8WT86(R/S)	チ	ッ	ブ L E D	MATRIX 1 -9	
LD293	WW948900	LED (CHIP) ORANGE	SML-D12D8WT86(R/S)	チ	ッ	ブ L E D	MATRIX 1 -12	
LD294	WW948900	LED (CHIP) ORANGE	SML-D12D8WT86(R/S)	チ	ッ	ブ L E D	MATRIX 1 -15	
LD295	WW948900	LED (CHIP) ORANGE	SML-D12D8WT86(R/S)	チ	ッ	ブ L E D	MATRIX 1 -18	
* LD296	WY781600	LED (CHIP) GREEN	SML-D12M8WT86(N/P)	チ	ッ	ブ L E D	MATRIX 1 -24	
* LD297	WY781600	LED (CHIP) GREEN	SML-D12M8WT86(N/P)	チ	ッ	ブ L E D	MATRIX 1 -30	
* LD298	WY781600	LED (CHIP) GREEN	SML-D12M8WT86(N/P)	チ	ッ	ブ L E D	MATRIX 1 -40	
* LD299	WY781600	LED (CHIP) GREEN	SML-D12M8WT86(N/P)	チ	ッ	ブ L E D	MATRIX 1 -50	
* LD300	WY781600	LED (CHIP) GREEN	SML-D12M8WT86(N/P)	チ	ッ	ブ L E D	MATRIX 1 -60	
* LD301	WY781500	LED (CHIP) RED	SML-D12U8WT86(Q/R)	チ	ッ	ブ L E D	MATRIX 2 OVER	

*: New Parts

RANK: Japan only

MB

REF NO.	PART NO.	DESCRIPTION		部	品	名	REMARKS	QTY	RANK
* LD372	WY781600	LED (CHIP) GREEN	SML-D12M8WT86(N/P)	チ	ッ	ブ	L E D MATRIX 7 -60		
* LD373	WY781500	LED (CHIP) RED	SML-D12U8WT86(Q/R)	チ	ッ	ブ	L E D MATRIX 8 OVER		
LD374	WW948900	LED (CHIP) ORANGE	SML-D12D8WT86(R/S)	チ	ッ	ブ	L E D MATRIX 8 -3		
LD375	WW948900	LED (CHIP) ORANGE	SML-D12D8WT86(R/S)	チ	ッ	ブ	L E D MATRIX 8 -6		
LD376	WW948900	LED (CHIP) ORANGE	SML-D12D8WT86(R/S)	チ	ッ	ブ	L E D MATRIX 8 -9		
LD377	WW948900	LED (CHIP) ORANGE	SML-D12D8WT86(R/S)	チ	ッ	ブ	L E D MATRIX 8 -12		
LD378	WW948900	LED (CHIP) ORANGE	SML-D12D8WT86(R/S)	チ	ッ	ブ	L E D MATRIX 8 -15		
LD379	WW948900	LED (CHIP) ORANGE	SML-D12D8WT86(R/S)	チ	ッ	ブ	L E D MATRIX 8 -18		
* LD380	WY781600	LED (CHIP) GREEN	SML-D12M8WT86(N/P)	チ	ッ	ブ	L E D MATRIX 8 -24		
* LD381	WY781600	LED (CHIP) GREEN	SML-D12M8WT86(N/P)	チ	ッ	ブ	L E D MATRIX 8 -30		
* LD382	WY781600	LED (CHIP) GREEN	SML-D12M8WT86(N/P)	チ	ッ	ブ	L E D MATRIX 8 -40		
* LD383	WY781600	LED (CHIP) GREEN	SML-D12M8WT86(N/P)	チ	ッ	ブ	L E D MATRIX 8 -50		
* LD384	WY781600	LED (CHIP) GREEN	SML-D12M8WT86(N/P)	チ	ッ	ブ	L E D MATRIX 8 -60		
* LD385	WY781500	LED (CHIP) RED	SML-D12U8WT86(Q/R)	チ	ッ	ブ	L E D STEREO L OVER		
LD386	WW948900	LED (CHIP) ORANGE	SML-D12D8WT86(R/S)	チ	ッ	ブ	L E D STEREO L -3		
LD387	WW948900	LED (CHIP) ORANGE	SML-D12D8WT86(R/S)	チ	ッ	ブ	L E D STEREO L -6		
LD388	WW948900	LED (CHIP) ORANGE	SML-D12D8WT86(R/S)	チ	ッ	ブ	L E D STEREO L -9		
LD389	WW948900	LED (CHIP) ORANGE	SML-D12D8WT86(R/S)	チ	ッ	ブ	L E D STEREO L -12		
LD390	WW948900	LED (CHIP) ORANGE	SML-D12D8WT86(R/S)	チ	ッ	ブ	L E D STEREO L -15		
LD391	WW948900	LED (CHIP) ORANGE	SML-D12D8WT86(R/S)	チ	ッ	ブ	L E D STEREO L -18		
* LD392	WY781600	LED (CHIP) GREEN	SML-D12M8WT86(N/P)	チ	ッ	ブ	L E D STEREO L -24		
* LD393	WY781600	LED (CHIP) GREEN	SML-D12M8WT86(N/P)	チ	ッ	ブ	L E D STEREO L -30		
* LD394	WY781600	LED (CHIP) GREEN	SML-D12M8WT86(N/P)	チ	ッ	ブ	L E D STEREO L -40		
* LD395	WY781600	LED (CHIP) GREEN	SML-D12M8WT86(N/P)	チ	ッ	ブ	L E D STEREO L -50		
* LD396	WY781600	LED (CHIP) GREEN	SML-D12M8WT86(N/P)	チ	ッ	ブ	L E D STEREO L -60		
* LD397	WY781500	LED (CHIP) RED	SML-D12U8WT86(Q/R)	チ	ッ	ブ	L E D STEREO R OVER		
LD398	WW948900	LED (CHIP) ORANGE	SML-D12D8WT86(R/S)	チ	ッ	ブ	L E D STEREO R -3		
LD399	WW948900	LED (CHIP) ORANGE	SML-D12D8WT86(R/S)	チ	ッ	ブ	L E D STEREO R -6		
LD400	WW948900	LED (CHIP) ORANGE	SML-D12D8WT86(R/S)	チ	ッ	ブ	L E D STEREO R -9		
LD401	WW948900	LED (CHIP) ORANGE	SML-D12D8WT86(R/S)	チ	ッ	ブ	L E D STEREO R -12		
LD402	WW948900	LED (CHIP) ORANGE	SML-D12D8WT86(R/S)	チ	ッ	ブ	L E D STEREO R -15		
LD403	WW948900	LED (CHIP) ORANGE	SML-D12D8WT86(R/S)	チ	ッ	ブ	L E D STEREO R -18		
* LD404	WY781600	LED (CHIP) GREEN	SML-D12M8WT86(N/P)	チ	ッ	ブ	L E D STEREO R -24		
* LD405	WY781600	LED (CHIP) GREEN	SML-D12M8WT86(N/P)	チ	ッ	ブ	L E D STEREO R -30		
* LD406	WY781600	LED (CHIP) GREEN	SML-D12M8WT86(N/P)	チ	ッ	ブ	L E D STEREO R -40		
* LD407	WY781600	LED (CHIP) GREEN	SML-D12M8WT86(N/P)	チ	ッ	ブ	L E D STEREO R -50		
* LD408	WY781600	LED (CHIP) GREEN	SML-D12M8WT86(N/P)	チ	ッ	ブ	L E D STEREO R -60		
* LD409	WY781500	LED (CHIP) RED	SML-D12U8WT86(Q/R)	チ	ッ	ブ	L E D MONO OVER		
LD410	WW948900	LED (CHIP) ORANGE	SML-D12D8WT86(R/S)	チ	ッ	ブ	L E D MONO -3		
LD411	WW948900	LED (CHIP) ORANGE	SML-D12D8WT86(R/S)	チ	ッ	ブ	L E D MONO -6		
LD412	WW948900	LED (CHIP) ORANGE	SML-D12D8WT86(R/S)	チ	ッ	ブ	L E D MONO -9		
LD413	WW948900	LED (CHIP) ORANGE	SML-D12D8WT86(R/S)	チ	ッ	ブ	L E D MONO -12		
LD414	WW948900	LED (CHIP) ORANGE	SML-D12D8WT86(R/S)	チ	ッ	ブ	L E D MONO -15		
LD415	WW948900	LED (CHIP) ORANGE	SML-D12D8WT86(R/S)	チ	ッ	ブ	L E D MONO -18		
* LD416	WY781600	LED (CHIP) GREEN	SML-D12M8WT86(N/P)	チ	ッ	ブ	L E D MONO -24		
* LD417	WY781600	LED (CHIP) GREEN	SML-D12M8WT86(N/P)	チ	ッ	ブ	L E D MONO -30		
* LD418	WY781600	LED (CHIP) GREEN	SML-D12M8WT86(N/P)	チ	ッ	ブ	L E D MONO -40		
* LD419	WY781600	LED (CHIP) GREEN	SML-D12M8WT86(N/P)	チ	ッ	ブ	L E D MONO -50		
* LD420	WY781600	LED (CHIP) GREEN	SML-D12M8WT86(N/P)	チ	ッ	ブ	L E D MONO -60		
* LD421	WY781500	LED (CHIP) RED	SML-D12U8WT86(Q/R)	チ	ッ	ブ	L E D CUE L OVER		
LD422	WW948900	LED (CHIP) ORANGE	SML-D12D8WT86(R/S)	チ	ッ	ブ	L E D CUE L -3		
LD423	WW948900	LED (CHIP) ORANGE	SML-D12D8WT86(R/S)	チ	ッ	ブ	L E D CUE L -6		
LD424	WW948900	LED (CHIP) ORANGE	SML-D12D8WT86(R/S)	チ	ッ	ブ	L E D CUE L -9		
LD425	WW948900	LED (CHIP) ORANGE	SML-D12D8WT86(R/S)	チ	ッ	ブ	L E D CUE L -12		
LD426	WW948900	LED (CHIP) ORANGE	SML-D12D8WT86(R/S)	チ	ッ	ブ	L E D CUE L -15		
LD427	WW948900	LED (CHIP) ORANGE	SML-D12D8WT86(R/S)	チ	ッ	ブ	L E D CUE L -18		
* LD428	WY781600	LED (CHIP) GREEN	SML-D12M8WT86(N/P)	チ	ッ	ブ	L E D CUE L -24		
* LD429	WY781600	LED (CHIP) GREEN	SML-D12M8WT86(N/P)	チ	ッ	ブ	L E D CUE L -30		
* LD430	WY781600	LED (CHIP) GREEN	SML-D12M8WT86(N/P)	チ	ッ	ブ	L E D CUE L -40		
* LD431	WY781600	LED (CHIP) GREEN	SML-D12M8WT86(N/P)	チ	ッ	ブ	L E D CUE L -50		
* LD432	WY781600	LED (CHIP) GREEN	SML-D12M8WT86(N/P)	チ	ッ	ブ	L E D CUE L -60		
* LD433	WY781500	LED (CHIP) RED	SML-D12U8WT86(Q/R)	チ	ッ	ブ	L E D CUE R OVER		
LD434	WW948900	LED (CHIP) ORANGE	SML-D12D8WT86(R/S)	チ	ッ	ブ	L E D CUE R -3		
LD435	WW948900	LED (CHIP) ORANGE	SML-D12D8WT86(R/S)	チ	ッ	ブ	L E D CUE R -6		
LD436	WW948900	LED (CHIP) ORANGE	SML-D12D8WT86(R/S)	チ	ッ	ブ	L E D CUE R -9		
LD437	WW948900	LED (CHIP) ORANGE	SML-D12D8WT86(R/S)	チ	ッ	ブ	L E D CUE R -12		
LD438	WW948900	LED (CHIP) ORANGE	SML-D12D8WT86(R/S)	チ	ッ	ブ	L E D CUE R -15		
LD439	WW948900	LED (CHIP) ORANGE	SML-D12D8WT86(R/S)	チ	ッ	ブ	L E D CUE R -18		
* LD440	WY781600	LED (CHIP) GREEN	SML-D12M8WT86(N/P)	チ	ッ	ブ	L E D CUE R -24		
* LD441	WY781600	LED (CHIP) GREEN	SML-D12M8WT86(N/P)	チ	ッ	ブ	L E D CUE R -30		

*: New Parts

RANK: Japan only

MB and OPT and PN2/PNENR/PNM

REF NO.	PART NO.	DESCRIPTION	部 品 名	REMARKS	QTY	RANK
* LD442	WY781600	LED (CHIP) GREEN	SML-D12M8WT86(N/P)	チ ッ プ L E D	CUE R -40	
* LD443	WY781600	LED (CHIP) GREEN	SML-D12M8WT86(N/P)	チ ッ プ L E D	CUE R -50	
* LD444	WY781600	LED (CHIP) GREEN	SML-D12M8WT86(N/P)	チ ッ プ L E D	CUE R -60	
R001	RD356100	CARBON RESISTOR (CHIP)	1.0K 63M J RECT.	チ ッ プ 抵 抗		01
R002	RD354470	CARBON RESISTOR (CHIP)	47.0 63M J RECT.	チ ッ プ 抵 抗		01
R003	RD350001	CARBON RESISTOR (CHIP)	0 63M J RECT.	チ ッ プ 抵 抗		01
R004	RD350001	CARBON RESISTOR (CHIP)	0 63M J RECT.	チ ッ プ 抵 抗		01
R006	RD354470	CARBON RESISTOR (CHIP)	47.0 63M J RECT.	チ ッ プ 抵 抗		01
R007	RD357100	CARBON RESISTOR (CHIP)	10.0K 63M J RECT.	チ ッ プ 抵 抗		01
R008	RD357100	CARBON RESISTOR (CHIP)	10.0K 63M J RECT.	チ ッ プ 抵 抗		01
R009	RD354470	CARBON RESISTOR (CHIP)	47.0 63M J RECT.	チ ッ プ 抵 抗		01
R010	RD354470	CARBON RESISTOR (CHIP)	47.0 63M J RECT.	チ ッ プ 抵 抗		01
R011	RD357100	CARBON RESISTOR (CHIP)	10.0K 63M J RECT.	チ ッ プ 抵 抗		01
R012	RD354470	CARBON RESISTOR (CHIP)	47.0 63M J RECT.	チ ッ プ 抵 抗		01
R013	RD35527R	CARBON RESISTOR (CHIP)	270.0 63M J RECT.	チ ッ プ 抵 抗		01
R014	RD356100	CARBON RESISTOR (CHIP)	1.0K 63M J RECT.	チ ッ プ 抵 抗		01
R015	RD354470	CARBON RESISTOR (CHIP)	47.0 63M J RECT.	チ ッ プ 抵 抗		01
-017	RD354470	CARBON RESISTOR (CHIP)	47.0 63M J RECT.	チ ッ プ 抵 抗		01
R018	RD35527R	CARBON RESISTOR (CHIP)	270.0 63M J RECT.	チ ッ プ 抵 抗		01
R019	RD356100	CARBON RESISTOR (CHIP)	1.0K 63M J RECT.	チ ッ プ 抵 抗		01
R020	RD354470	CARBON RESISTOR (CHIP)	47.0 63M J RECT.	チ ッ プ 抵 抗		01
-022	RD354470	CARBON RESISTOR (CHIP)	47.0 63M J RECT.	チ ッ プ 抵 抗		01
R023	RD35527R	CARBON RESISTOR (CHIP)	270.0 63M J RECT.	チ ッ プ 抵 抗		01
R024	RD356100	CARBON RESISTOR (CHIP)	1.0K 63M J RECT.	チ ッ プ 抵 抗		01
R025	RD354470	CARBON RESISTOR (CHIP)	47.0 63M J RECT.	チ ッ プ 抵 抗		01
-027	RD354470	CARBON RESISTOR (CHIP)	47.0 63M J RECT.	チ ッ プ 抵 抗		01
R028	RD35527R	CARBON RESISTOR (CHIP)	270.0 63M J RECT.	チ ッ プ 抵 抗		01
R029	RD356100	CARBON RESISTOR (CHIP)	1.0K 63M J RECT.	チ ッ プ 抵 抗		01
R030	RD357100	CARBON RESISTOR (CHIP)	10.0K 63M J RECT.	チ ッ プ 抵 抗		01
R031	RD354470	CARBON RESISTOR (CHIP)	47.0 63M J RECT.	チ ッ プ 抵 抗		01
-033	RD354470	CARBON RESISTOR (CHIP)	47.0 63M J RECT.	チ ッ プ 抵 抗		01
RA001	WH209400	RESISTOR ARRAY	1.0K X 4	抵 抗 ア レ イ		
RA002	WH209400	RESISTOR ARRAY	1.0K X 4	抵 抗 ア レ イ		
RA003	WH211800	RESISTOR ARRAY	10K X 4	抵 抗 ア レ イ		01
-005	WH211800	RESISTOR ARRAY	10K X 4	抵 抗 ア レ イ		01
* CN101	WY634800	CIRCUIT BOARD	OPT	O P T シ ー ト	(YD582A0)	
-103	VU32820R	PLUG CONNECTOR	PHEC 100P TE	ブ ラ グ	SLOT1	05
CN104	VU32820R	PLUG CONNECTOR	PHEC 100P TE	ブ ラ グ	SLOT3	05
CN105	WC19880R	FMN CONNECTOR	FMN 38P TE	F M N コ ネ ク タ ー		03
CN106	WC199000	FMN CONNECTOR	FMN 40P TE	F M N コ ネ ク タ ー		
CN107	WC19880R	FMN CONNECTOR	FMN 38P TE	F M N コ ネ ク タ ー		03
CN108	WK153000	CONNECTOR	PH 16P TE	ベ ー ス 付 ポ ス ト		02
R101	WK153000	CONNECTOR	PH 16P TE	ベ ー ス 付 ポ ス ト		02
-111	RD355100	CARBON RESISTOR (CHIP)	100.0 63M J RECT.	チ ッ プ 抵 抗		01
R112	RD354680	CARBON RESISTOR (CHIP)	68.0 63M J RECT.	チ ッ プ 抵 抗		01
-119	RD354680	CARBON RESISTOR (CHIP)	68.0 63M J RECT.	チ ッ プ 抵 抗		01
R120	RD355100	CARBON RESISTOR (CHIP)	100.0 63M J RECT.	チ ッ プ 抵 抗		01
-130	RD355100	CARBON RESISTOR (CHIP)	100.0 63M J RECT.	チ ッ プ 抵 抗		01
R131	RD354680	CARBON RESISTOR (CHIP)	68.0 63M J RECT.	チ ッ プ 抵 抗		01
-138	RD354680	CARBON RESISTOR (CHIP)	68.0 63M J RECT.	チ ッ プ 抵 抗		01
R201	RD355100	CARBON RESISTOR (CHIP)	100.0 63M J RECT.	チ ッ プ 抵 抗		01
-211	RD355100	CARBON RESISTOR (CHIP)	100.0 63M J RECT.	チ ッ プ 抵 抗		01
R212	RD354680	CARBON RESISTOR (CHIP)	68.0 63M J RECT.	チ ッ プ 抵 抗		01
-219	RD354680	CARBON RESISTOR (CHIP)	68.0 63M J RECT.	チ ッ プ 抵 抗		01
R220	RD355100	CARBON RESISTOR (CHIP)	100.0 63M J RECT.	チ ッ プ 抵 抗		01
-230	RD355100	CARBON RESISTOR (CHIP)	100.0 63M J RECT.	チ ッ プ 抵 抗		01
R231	RD354680	CARBON RESISTOR (CHIP)	68.0 63M J RECT.	チ ッ プ 抵 抗		01
-238	RD354680	CARBON RESISTOR (CHIP)	68.0 63M J RECT.	チ ッ プ 抵 抗		01
R301	RD355100	CARBON RESISTOR (CHIP)	100.0 63M J RECT.	チ ッ プ 抵 抗		01
-311	RD355100	CARBON RESISTOR (CHIP)	100.0 63M J RECT.	チ ッ プ 抵 抗		01
R312	RD354680	CARBON RESISTOR (CHIP)	68.0 63M J RECT.	チ ッ プ 抵 抗		01
-319	RD354680	CARBON RESISTOR (CHIP)	68.0 63M J RECT.	チ ッ プ 抵 抗		01
R320	RD355100	CARBON RESISTOR (CHIP)	100.0 63M J RECT.	チ ッ プ 抵 抗		01
-330	RD355100	CARBON RESISTOR (CHIP)	100.0 63M J RECT.	チ ッ プ 抵 抗		01
R331	RD354680	CARBON RESISTOR (CHIP)	68.0 63M J RECT.	チ ッ プ 抵 抗		01
-338	RD354680	CARBON RESISTOR (CHIP)	68.0 63M J RECT.	チ ッ プ 抵 抗		01
* CN101	WY531800	CIRCUIT BOARD	PN2 (PNMCOM)	P N 2 シ ー ト	(WY53160)(YD537C0)	

*: New Parts

RANK: Japan only

PN2/PNENR/PNM

REF NO.	PART NO.	DESCRIPTION		部 品 名	REMARKS	QTY	RANK
*	WY531900	CIRCUIT BOARD	PNENR (PNMCOM)	P N E N R シ ー ト	(WY53160)(YD537C0)		
*	WY531700	CIRCUIT BOARD	PNM (PNMCOM)	P N M シ ー ト	(WY53160)(YD537C0)		
C001	US14510R	CERAMIC CAPACITOR (CHIP)	0.1000 25V Z RECT.	チ ッ プ セ ラ (F)			01
C002	US14510R	CERAMIC CAPACITOR (CHIP)	0.1000 25V Z RECT.	チ ッ プ セ ラ (F)			01
C003	UF03810R	ELECTROLYTIC CAP. (CHIP)	100 16V	チ ッ プ ケ ミ コ ン			01
C004	UF03810R	ELECTROLYTIC CAP. (CHIP)	100 16V	チ ッ プ ケ ミ コ ン			01
C005	US14510R	CERAMIC CAPACITOR (CHIP)	0.1000 25V Z RECT.	チ ッ プ セ ラ (F)			01
C006	US14510R	CERAMIC CAPACITOR (CHIP)	0.1000 25V Z RECT.	チ ッ プ セ ラ (F)			01
C007	US063100	CERAMIC CAPACITOR (CHIP)	1000P 50V K RECT.	チ ッ プ セ ラ (B)			01
C008	US063100	CERAMIC CAPACITOR (CHIP)	1000P 50V K RECT.	チ ッ プ セ ラ (B)			01
C009	US14510R	CERAMIC CAPACITOR (CHIP)	0.1000 25V Z RECT.	チ ッ プ セ ラ (F)			01
-011	US14510R	CERAMIC CAPACITOR (CHIP)	0.1000 25V Z RECT.	チ ッ プ セ ラ (F)			01
C012	UF03810R	ELECTROLYTIC CAP. (CHIP)	100 16V	チ ッ プ ケ ミ コ ン			01
C013	US14510R	CERAMIC CAPACITOR (CHIP)	0.1000 25V Z RECT.	チ ッ プ セ ラ (F)			01
C014	UF03810R	ELECTROLYTIC CAP. (CHIP)	100 16V	チ ッ プ ケ ミ コ ン			01
C016	US063100	CERAMIC CAPACITOR (CHIP)	1000P 50V K RECT.	チ ッ プ セ ラ (B)			01
C017	US14510R	CERAMIC CAPACITOR (CHIP)	0.1000 25V Z RECT.	チ ッ プ セ ラ (F)			01
-024	US14510R	CERAMIC CAPACITOR (CHIP)	0.1000 25V Z RECT.	チ ッ プ セ ラ (F)			01
C025	US063100	CERAMIC CAPACITOR (CHIP)	1000P 50V K RECT.	チ ッ プ セ ラ (B)			01
C026	US14510R	CERAMIC CAPACITOR (CHIP)	0.1000 25V Z RECT.	チ ッ プ セ ラ (F)			01
-030	US14510R	CERAMIC CAPACITOR (CHIP)	0.1000 25V Z RECT.	チ ッ プ セ ラ (F)			01
C101	US14510R	CERAMIC CAPACITOR (CHIP)	0.1000 25V Z RECT.	チ ッ プ セ ラ (F)			01
C102	UF03810R	ELECTROLYTIC CAP. (CHIP)	100 16V	チ ッ プ ケ ミ コ ン			01
C103	US14510R	CERAMIC CAPACITOR (CHIP)	0.1000 25V Z RECT.	チ ッ プ セ ラ (F)			01
C104	UF03810R	ELECTROLYTIC CAP. (CHIP)	100 16V	チ ッ プ ケ ミ コ ン			01
C105	US14510R	CERAMIC CAPACITOR (CHIP)	0.1000 25V Z RECT.	チ ッ プ セ ラ (F)			01
-107	US14510R	CERAMIC CAPACITOR (CHIP)	0.1000 25V Z RECT.	チ ッ プ セ ラ (F)			01
C108	US126100	CERAMIC CAPACITOR (CHIP)	1.0000 10V Z RECT.	チ ッ プ セ ラ F			01
C110	US14510R	CERAMIC CAPACITOR (CHIP)	0.1000 25V Z RECT.	チ ッ プ セ ラ (F)			01
CN001	VI878800	CABLE HOLDER	51048 10P TE	ケ ー ブ ル ホ ル ダ ー			01
CN002	VI87940R	CABLE HOLDER	51048 16P TE	ケ ー ブ ル ホ ル ダ ー			01
CN003	WA52180R	FFC CONNECTOR	52806 18P TE	F F C コ ネ ク タ ー			01
CN004	WA17860R	FFC CONNECTOR	52806-2210 22PIN	F F C コ ネ ク タ ー			01
CN007	VB39040R	CONNECTOR	PH 8P TE	ベ ー ス ポ ス ト			01
CN008	WA17860R	FFC CONNECTOR	52806-2210 22PIN	F F C コ ネ ク タ ー			01
CN101	WA52180R	FFC CONNECTOR	52806 18P TE	F F C コ ネ ク タ ー			01
CN102	WA17860R	FFC CONNECTOR	52806-2210 22PIN	F F C コ ネ ク タ ー			01
CN103	V492820R	FFC CONNECTOR	52806-1210 12P TE	F F C コ ネ ク タ ー			01
CN201	VF728200	WIRE TRAP	52147 10P TE	ワ イ ヤ ー ト ラ ッ プ			01
D001	WG139300	DIODE (CHIP)	KDS4148U-RTK/P TE	チ ッ プ ダ イ オ ー ド			
-035	WG139300	DIODE (CHIP)	KDS4148U-RTK/P TE	チ ッ プ ダ イ オ ー ド			
D101	WG139300	DIODE (CHIP)	KDS4148U-RTK/P TE	チ ッ プ ダ イ オ ー ド			
-112	WG139300	DIODE (CHIP)	KDS4148U-RTK/P TE	チ ッ プ ダ イ オ ー ド			
D201	WG139300	DIODE (CHIP)	KDS4148U-RTK/P TE	チ ッ プ ダ イ オ ー ド			
-212	WG139300	DIODE (CHIP)	KDS4148U-RTK/P TE	チ ッ プ ダ イ オ ー ド			
DA001	WE97260R	ZENER DIODE	HZM6.2ZMFATR-E	ツ ェ ナ ー ダ イ オ ー ド			01
* EC101	WY919700	ROTARY ENCODER	XRE012608PVB20FINB	ロ ー タ リ エ ン コ ー ダ	STEREO		
* EC102	WY919700	ROTARY ENCODER	XRE012608PVB20FINB	ロ ー タ リ エ ン コ ー ダ	MONO		
* EC201	WY919700	ROTARY ENCODER	XRE012608PVB20FINB	ロ ー タ リ エ ン コ ー ダ	USER DEFINED KNOBS 1		
* -204	WY919700	ROTARY ENCODER	XRE012608PVB20FINB	ロ ー タ リ エ ン コ ー ダ	USER DEFINED KNOBS 4		
EM001	ZC805200	EMI FILTER (CHIP)	31PT222Z1E9L TP	チ ッ プ エ ミ フ ィ ル			01
-003	ZC805200	EMI FILTER (CHIP)	31PT222Z1E9L TP	チ ッ プ エ ミ フ ィ ル			01
EM101	ZC805200	EMI FILTER (CHIP)	31PT222Z1E9L TP	チ ッ プ エ ミ フ ィ ル			01
EM102	ZC805200	EMI FILTER (CHIP)	31PT222Z1E9L TP	チ ッ プ エ ミ フ ィ ル			01
FT001	V807480R	FET	MCH6616-TL-E TAPE	F E T			02
-004	V807480R	FET	MCH6616-TL-E TAPE	F E T			02
FT001	ZA683700	FET	US6K1TR	F E T			01
-004	ZA683700	FET	US6K1TR	F E T			01
* IC001	YE031100	IC	M38039G4H-819HP	I C	CPU (EC-PNS1)		
IC002	X5965A0R	IC	SN74LV04APWR	I C	INVERTER		01
IC003	X5965A0R	IC	SN74LV04APWR	I C	INVERTER		01
IC005	YE518A00	IC	LPC1763FBD100	I C	CPU (C-MD1)		
IC006	X7284A00	IC	SN74LV138APWR	I C	DECODER		01
IC007	XT744B0R	IC	TC74VHCT245AFT	I C	TRANSCEIVER		02
IC008	XT744B0R	IC	TC74VHCT245AFT	I C	TRANSCEIVER		02
IC009	X3693A01	IC	SN74LV245APWR	I C	TRANSCEIVER		05
IC010	X3693A01	IC	SN74LV245APWR	I C	TRANSCEIVER		05
* IC101	YD685A00	IC	TLC5941PWPR	I C	LED DRIVER		
IC102	X7284A00	IC	SN74LV138APWR	I C	DECODER		01
IC103	X3693A01	IC	SN74LV245APWR	I C	TRANSCEIVER		05

*: New Parts

RANK: Japan only

PN2/PNENR/PNM

REF NO.	PART NO.	DESCRIPTION	部 品 名	REMARKS	QTY	RANK
L001	WB24830R	INDUCTOR (CHIP)	BLM18RK121SN1D	チップインダクタ		01
-004	WB24830R	INDUCTOR (CHIP)	BLM18RK121SN1D	チップインダクタ		01
LD001	WY713900	LED (CHIP) ORANGE	TLOM1108(T11,YH)	チップLED		1
* LD001	ZF070000	LED (CHIP) ORANGE	LO E6SF-BABB-24-1	チップLED		
LD002	WY713900	LED (CHIP) ORANGE	TLOM1108(T11,YH)	チップLED		2
* LD002	ZF070000	LED (CHIP) ORANGE	LO E6SF-BABB-24-1	チップLED		
LD003	WY713900	LED (CHIP) ORANGE	TLOM1108(T11,YH)	チップLED		3
* LD003	ZF070000	LED (CHIP) ORANGE	LO E6SF-BABB-24-1	チップLED		
LD004	WY713900	LED (CHIP) ORANGE	TLOM1108(T11,YH)	チップLED		4
* LD004	ZF070000	LED (CHIP) ORANGE	LO E6SF-BABB-24-1	チップLED		
LD005	WY713900	LED (CHIP) ORANGE	TLOM1108(T11,YH)	チップLED		5
* LD005	ZF070000	LED (CHIP) ORANGE	LO E6SF-BABB-24-1	チップLED		
LD006	WY713900	LED (CHIP) ORANGE	TLOM1108(T11,YH)	チップLED		6
* LD006	ZF070000	LED (CHIP) ORANGE	LO E6SF-BABB-24-1	チップLED		
LD007	WY713900	LED (CHIP) ORANGE	TLOM1108(T11,YH)	チップLED		7
* LD007	ZF070000	LED (CHIP) ORANGE	LO E6SF-BABB-24-1	チップLED		
LD008	WY713900	LED (CHIP) ORANGE	TLOM1108(T11,YH)	チップLED		8
* LD008	ZF070000	LED (CHIP) ORANGE	LO E6SF-BABB-24-1	チップLED		
LD009	WY713900	LED (CHIP) ORANGE	TLOM1108(T11,YH)	チップLED		9
* LD009	ZF070000	LED (CHIP) ORANGE	LO E6SF-BABB-24-1	チップLED		
LD010	WY713900	LED (CHIP) ORANGE	TLOM1108(T11,YH)	チップLED		10
* LD010	ZF070000	LED (CHIP) ORANGE	LO E6SF-BABB-24-1	チップLED		
LD011	WY713900	LED (CHIP) ORANGE	TLOM1108(T11,YH)	チップLED		11
* LD011	ZF070000	LED (CHIP) ORANGE	LO E6SF-BABB-24-1	チップLED		
LD012	WY713900	LED (CHIP) ORANGE	TLOM1108(T11,YH)	チップLED		12
* LD012	ZF070000	LED (CHIP) ORANGE	LO E6SF-BABB-24-1	チップLED		
LD013	WY713900	LED (CHIP) ORANGE	TLOM1108(T11,YH)	チップLED		13
* LD013	ZF070000	LED (CHIP) ORANGE	LO E6SF-BABB-24-1	チップLED		
LD014	WY713900	LED (CHIP) ORANGE	TLOM1108(T11,YH)	チップLED		14
* LD014	ZF070000	LED (CHIP) ORANGE	LO E6SF-BABB-24-1	チップLED		
LD015	WY713900	LED (CHIP) ORANGE	TLOM1108(T11,YH)	チップLED		15
* LD015	ZF070000	LED (CHIP) ORANGE	LO E6SF-BABB-24-1	チップLED		
LD016	WY713900	LED (CHIP) ORANGE	TLOM1108(T11,YH)	チップLED		16
* LD016	ZF070000	LED (CHIP) ORANGE	LO E6SF-BABB-24-1	チップLED		
LD017	WY713800	LED (CHIP) GREEN	TLEGF1108	チップLED	INPUT	
LD018	WY713900	LED (CHIP) ORANGE	TLOM1108(T11,YH)	チップLED	OUTPUT	
* LD018	ZF070000	LED (CHIP) ORANGE	LO E6SF-BABB-24-1	チップLED		
LD019	WY713800	LED (CHIP) GREEN	TLEGF1108	チップLED	1-8/DCA1-8	
LD020	WY714000	LED (CHIP) YELLOW	TLYM1108(T11,YH)	チップLED	1-8/DCA1-8	
* LD020	ZF069200	LED (CHIP) YELLOW	LY E6SF-BACA-46-1	チップLED		
LD021	WY713800	LED (CHIP) GREEN	TLEGF1108	チップLED	9-16/DCA9-16	
LD022	WY714000	LED (CHIP) YELLOW	TLYM1108(T11,YH)	チップLED	9-16/DCA9-16	
* LD022	ZF069200	LED (CHIP) YELLOW	LY E6SF-BACA-46-1	チップLED		
LD023	WY713800	LED (CHIP) GREEN	TLEGF1108	チップLED	17-24/MIX1-8	
LD024	WY713900	LED (CHIP) ORANGE	TLOM1108(T11,YH)	チップLED	17-24/MIX1-8	
* LD024	ZF070000	LED (CHIP) ORANGE	LO E6SF-BABB-24-1	チップLED		
LD025	WY713800	LED (CHIP) GREEN	TLEGF1108	チップLED	25-32/MIX9-16	
LD026	WY713900	LED (CHIP) ORANGE	TLOM1108(T11,YH)	チップLED	25-32/MIX9-16	
* LD026	ZF070000	LED (CHIP) ORANGE	LO E6SF-BABB-24-1	チップLED		
LD027	WY713800	LED (CHIP) GREEN	TLEGF1108	チップLED	33-40/MIX17-24	
LD028	WY713900	LED (CHIP) ORANGE	TLOM1108(T11,YH)	チップLED	33-40/MIX17-24	
* LD028	ZF070000	LED (CHIP) ORANGE	LO E6SF-BABB-24-1	チップLED		
LD029	WY713800	LED (CHIP) GREEN	TLEGF1108	チップLED	41-48/MATRIX	
LD030	WY713900	LED (CHIP) ORANGE	TLOM1108(T11,YH)	チップLED	41-48/MATRIX	
* LD030	ZF070000	LED (CHIP) ORANGE	LO E6SF-BABB-24-1	チップLED		
LD031	WY713800	LED (CHIP) GREEN	TLEGF1108	チップLED	49-56/STEREO	
LD032	WY713900	LED (CHIP) ORANGE	TLOM1108(T11,YH)	チップLED	49-56/STEREO	
* LD032	ZF070000	LED (CHIP) ORANGE	LO E6SF-BABB-24-1	チップLED		
LD033	WY713800	LED (CHIP) GREEN	TLEGF1108	チップLED	56-64/STIN	
LD034	WY713800	LED (CHIP) GREEN	TLEGF1108	チップLED	64-72/CUSTOM	
LD035	WY713900	LED (CHIP) ORANGE	TLOM1108(T11,YH)	チップLED	UNDO	
* LD035	ZF070000	LED (CHIP) ORANGE	LO E6SF-BABB-24-1	チップLED		
LD036	ZD114500	LED (CHIP) RED/GREEN/BLUE	SMLV56RGB1W1(5/6/7)	チップLED	PREVIEW	
LD101	WY713800	LED (CHIP) GREEN	TLEGF1108	チップLED	STEREO SEL	
LD102	WY713900	LED (CHIP) ORANGE	TLOM1108(T11,YH)	チップLED	STEREO CUE	
* LD102	ZF070000	LED (CHIP) ORANGE	LO E6SF-BABB-24-1	チップLED		
LD103	WY781500	LED (CHIP) RED	SML-D12U8WT86(Q/R)	チップLED	STEREO OVER	
LD104	WW948900	LED (CHIP) ORANGE	SML-D12D8WT86(R/S)	チップLED	STEREO -6	
LD105	WW948900	LED (CHIP) ORANGE	SML-D12D8WT86(R/S)	チップLED	STEREO -12	
LD106	WW948900	LED (CHIP) ORANGE	SML-D12D8WT86(R/S)	チップLED	STEREO -18	

*: New Parts

RANK: Japan only

PN2/PNENR/PNM

REF NO.	PART NO.	DESCRIPTION	部	品	名	REMARKS	QTY	RANK
LD107	WY781600	LED (CHIP) GREEN	SML-D12M8WT86(N/P)	チ	ッ	ブ L E D	STEREO -30	
LD108	WY781600	LED (CHIP) GREEN	SML-D12M8WT86(N/P)	チ	ッ	ブ L E D	STEREO -60	
LD109	WY713900	LED (CHIP) ORANGE	TLOM1108(T11,YH)	チ	ッ	ブ L E D	}STEREO ON	
* LD109	ZF070000	LED (CHIP) ORANGE	LO E6SF-BABB-24-1	チ	ッ	ブ L E D		
LD110	WY713800	LED (CHIP) GREEN	TLEGF1108	チ	ッ	ブ L E D	MONO SEL	
LD111	WY713900	LED (CHIP) ORANGE	TLOM1108(T11,YH)	チ	ッ	ブ L E D	}MONO CUE	
* LD111	ZF070000	LED (CHIP) ORANGE	LO E6SF-BABB-24-1	チ	ッ	ブ L E D		
* LD112	WY781500	LED (CHIP) RED	SML-D12U8WT86(Q/R)	チ	ッ	ブ L E D	MONO OVER	
LD113	WW948900	LED (CHIP) ORANGE	SML-D12D8WT86(R/S)	チ	ッ	ブ L E D	MONO -6	
LD114	WW948900	LED (CHIP) ORANGE	SML-D12D8WT86(R/S)	チ	ッ	ブ L E D	MONO -12	
LD115	WW948900	LED (CHIP) ORANGE	SML-D12D8WT86(R/S)	チ	ッ	ブ L E D	MONO -18	
* LD116	WY781600	LED (CHIP) GREEN	SML-D12M8WT86(N/P)	チ	ッ	ブ L E D	MONO -30	
* LD117	WY781600	LED (CHIP) GREEN	SML-D12M8WT86(N/P)	チ	ッ	ブ L E D	MONO -60	
LD118	WY713900	LED (CHIP) ORANGE	TLOM1108(T11,YH)	チ	ッ	ブ L E D	}MONO ON	
* LD118	ZF070000	LED (CHIP) ORANGE	LO E6SF-BABB-24-1	チ	ッ	ブ L E D		
* LD119	ZD114500	LED (CHIP) RED/GREEN/BLUE	SMLV56RGB1W1(5/6/7)	チ	ッ	ブ L E D		
* LD120	ZD114500	LED (CHIP) RED/GREEN/BLUE	SMLV56RGB1W1(5/6/7)	チ	ッ	ブ L E D		
R001	RD354470	CARBON RESISTOR (CHIP)	47.0 63M J RECT.	チ	ッ	ブ 抵 抗		01
-003	RD354470	CARBON RESISTOR (CHIP)	47.0 63M J RECT.	チ	ッ	ブ 抵 抗		01
R004	RD355100	CARBON RESISTOR (CHIP)	100.0 63M J RECT.	チ	ッ	ブ 抵 抗		01
R005	RD357100	CARBON RESISTOR (CHIP)	10.0K 63M J RECT.	チ	ッ	ブ 抵 抗		01
R006	RD356100	CARBON RESISTOR (CHIP)	1.0K 63M J RECT.	チ	ッ	ブ 抵 抗		01
R007	RD350001	CARBON RESISTOR (CHIP)	0 63M J RECT.	チ	ッ	ブ 抵 抗		01
R026	RD357100	CARBON RESISTOR (CHIP)	10.0K 63M J RECT.	チ	ッ	ブ 抵 抗		01
R027	RD357100	CARBON RESISTOR (CHIP)	10.0K 63M J RECT.	チ	ッ	ブ 抵 抗		01
R029	RD350001	CARBON RESISTOR (CHIP)	0 63M J RECT.	チ	ッ	ブ 抵 抗		01
R030	RD356100	CARBON RESISTOR (CHIP)	1.0K 63M J RECT.	チ	ッ	ブ 抵 抗		01
R031	RD350001	CARBON RESISTOR (CHIP)	0 63M J RECT.	チ	ッ	ブ 抵 抗		01
R032	RD357100	CARBON RESISTOR (CHIP)	10.0K 63M J RECT.	チ	ッ	ブ 抵 抗		01
R033	RD354470	CARBON RESISTOR (CHIP)	47.0 63M J RECT.	チ	ッ	ブ 抵 抗		01
-037	RD354470	CARBON RESISTOR (CHIP)	47.0 63M J RECT.	チ	ッ	ブ 抵 抗		01
R038	RD357100	CARBON RESISTOR (CHIP)	10.0K 63M J RECT.	チ	ッ	ブ 抵 抗		01
R039	RD354470	CARBON RESISTOR (CHIP)	47.0 63M J RECT.	チ	ッ	ブ 抵 抗		01
-045	RD354470	CARBON RESISTOR (CHIP)	47.0 63M J RECT.	チ	ッ	ブ 抵 抗		01
R046	RD356470	CARBON RESISTOR (CHIP)	4.7K 63M J RECT.	チ	ッ	ブ 抵 抗		01
R047	RD35456R	CARBON RESISTOR (CHIP)	56.0 63M J RECT.	チ	ッ	ブ 抵 抗		01
-062	RD35456R	CARBON RESISTOR (CHIP)	56.0 63M J RECT.	チ	ッ	ブ 抵 抗		01
R063	RD35427R	CARBON RESISTOR (CHIP)	27.0 63M J RECT.	チ	ッ	ブ 抵 抗		01
R064	RD35456R	CARBON RESISTOR (CHIP)	56.0 63M J RECT.	チ	ッ	ブ 抵 抗		01
R065	RD35427R	CARBON RESISTOR (CHIP)	27.0 63M J RECT.	チ	ッ	ブ 抵 抗		01
R066	RD35427R	CARBON RESISTOR (CHIP)	27.0 63M J RECT.	チ	ッ	ブ 抵 抗		01
R067	RD35456R	CARBON RESISTOR (CHIP)	56.0 63M J RECT.	チ	ッ	ブ 抵 抗		01
R068	RD35456R	CARBON RESISTOR (CHIP)	56.0 63M J RECT.	チ	ッ	ブ 抵 抗		01
R069	RD35427R	CARBON RESISTOR (CHIP)	27.0 63M J RECT.	チ	ッ	ブ 抵 抗		01
-075	RD35427R	CARBON RESISTOR (CHIP)	27.0 63M J RECT.	チ	ッ	ブ 抵 抗		01
R076	RD35456R	CARBON RESISTOR (CHIP)	56.0 63M J RECT.	チ	ッ	ブ 抵 抗		01
-082	RD35456R	CARBON RESISTOR (CHIP)	56.0 63M J RECT.	チ	ッ	ブ 抵 抗		01
R103	RD354470	CARBON RESISTOR (CHIP)	47.0 63M J RECT.	チ	ッ	ブ 抵 抗		01
R104	RD354470	CARBON RESISTOR (CHIP)	47.0 63M J RECT.	チ	ッ	ブ 抵 抗		01
R105	RD356470	CARBON RESISTOR (CHIP)	4.7K 63M J RECT.	チ	ッ	ブ 抵 抗		01
R106	RD354470	CARBON RESISTOR (CHIP)	47.0 63M J RECT.	チ	ッ	ブ 抵 抗		01
-109	RD354470	CARBON RESISTOR (CHIP)	47.0 63M J RECT.	チ	ッ	ブ 抵 抗		01
R111	RD355100	CARBON RESISTOR (CHIP)	100.0 63M J RECT.	チ	ッ	ブ 抵 抗		01
R112	RD355100	CARBON RESISTOR (CHIP)	100.0 63M J RECT.	チ	ッ	ブ 抵 抗		01
R113	RD35427R	CARBON RESISTOR (CHIP)	27.0 63M J RECT.	チ	ッ	ブ 抵 抗		01
R114	RD35427R	CARBON RESISTOR (CHIP)	27.0 63M J RECT.	チ	ッ	ブ 抵 抗		01
R115	RD35456R	CARBON RESISTOR (CHIP)	56.0 63M J RECT.	チ	ッ	ブ 抵 抗		01
R116	RD35456R	CARBON RESISTOR (CHIP)	56.0 63M J RECT.	チ	ッ	ブ 抵 抗		01
R117	RD35518R	CARBON RESISTOR (CHIP)	180.0 63M J RECT.	チ	ッ	ブ 抵 抗		01
R118	RD35518R	CARBON RESISTOR (CHIP)	180.0 63M J RECT.	チ	ッ	ブ 抵 抗		01
R119	RD35527R	CARBON RESISTOR (CHIP)	270.0 63M J RECT.	チ	ッ	ブ 抵 抗		01
-124	RD35527R	CARBON RESISTOR (CHIP)	270.0 63M J RECT.	チ	ッ	ブ 抵 抗		01
R125	RD35456R	CARBON RESISTOR (CHIP)	56.0 63M J RECT.	チ	ッ	ブ 抵 抗		01
-130	RD35456R	CARBON RESISTOR (CHIP)	56.0 63M J RECT.	チ	ッ	ブ 抵 抗		01
RA001	WH211800	RESISTOR ARRAY	10K X 4	抵	抗	ア レ イ		01
-005	WH211800	RESISTOR ARRAY	10K X 4	抵	抗	ア レ イ		01
RA006	WH209400	RESISTOR ARRAY	1.0K X 4	抵	抗	ア レ イ		01
RA007	WH209400	RESISTOR ARRAY	1.0K X 4	抵	抗	ア レ イ		01
RA008	WH211800	RESISTOR ARRAY	10K X 4	抵	抗	ア レ イ		01
-013	WH211800	RESISTOR ARRAY	10K X 4	抵	抗	ア レ イ		01

*: New Parts

RANK: Japan only

PN2/PNENR/PNM and PN8

REF NO.	PART NO.	DESCRIPTION		部 品 名	REMARKS	QTY	RANK
RA014	WH206200	RESISTOR ARRAY	47 X 4	抵 抗 ア レ イ			01
-017	WH206200	RESISTOR ARRAY	47 X 4	抵 抗 ア レ イ			01
RA018	WH211800	RESISTOR ARRAY	10K X 4	抵 抗 ア レ イ			01
RA019	WH211800	RESISTOR ARRAY	10K X 4	抵 抗 ア レ イ			01
RA101	WH206200	RESISTOR ARRAY	47 X 4	抵 抗 ア レ イ			01
RA102	WH206200	RESISTOR ARRAY	47 X 4	抵 抗 ア レ イ			01
RA103	WH207000	RESISTOR ARRAY	100 X 4	抵 抗 ア レ イ			01
SW001	WK207700	TACT SWITCH	SKRRABE010	タ ク ト ス イ ッ チ	1		01
SW002	WK207700	TACT SWITCH	SKRRABE010	タ ク ト ス イ ッ チ	2		01
SW003	WK207700	TACT SWITCH	SKRRABE010	タ ク ト ス イ ッ チ	3		01
SW004	WK207700	TACT SWITCH	SKRRABE010	タ ク ト ス イ ッ チ	4		01
SW005	WK207700	TACT SWITCH	SKRRABE010	タ ク ト ス イ ッ チ	5		01
SW006	WK207700	TACT SWITCH	SKRRABE010	タ ク ト ス イ ッ チ	6		01
SW007	WK207700	TACT SWITCH	SKRRABE010	タ ク ト ス イ ッ チ	7		01
SW008	WK207700	TACT SWITCH	SKRRABE010	タ ク ト ス イ ッ チ	8		01
SW009	WK207700	TACT SWITCH	SKRRABE010	タ ク ト ス イ ッ チ	9		01
SW010	WK207700	TACT SWITCH	SKRRABE010	タ ク ト ス イ ッ チ	10		01
SW011	WK207700	TACT SWITCH	SKRRABE010	タ ク ト ス イ ッ チ	11		01
SW012	WK207700	TACT SWITCH	SKRRABE010	タ ク ト ス イ ッ チ	12		01
SW013	WK207700	TACT SWITCH	SKRRABE010	タ ク ト ス イ ッ チ	13		01
SW014	WK207700	TACT SWITCH	SKRRABE010	タ ク ト ス イ ッ チ	14		01
SW015	WK207700	TACT SWITCH	SKRRABE010	タ ク ト ス イ ッ チ	15		01
SW016	WK207700	TACT SWITCH	SKRRABE010	タ ク ト ス イ ッ チ	16		01
SW017	WK207700	TACT SWITCH	SKRRABE010	タ ク ト ス イ ッ チ	INPUT		01
SW018	WK207700	TACT SWITCH	SKRRABE010	タ ク ト ス イ ッ チ	OUTPUT		01
SW019	WK207700	TACT SWITCH	SKRRABE010	タ ク ト ス イ ッ チ	1-8/DCA1-8		01
SW020	WK207700	TACT SWITCH	SKRRABE010	タ ク ト ス イ ッ チ	9-16/DCA9-16		01
SW021	WK207700	TACT SWITCH	SKRRABE010	タ ク ト ス イ ッ チ	17-24/MIX1-8		01
SW022	WK207700	TACT SWITCH	SKRRABE010	タ ク ト ス イ ッ チ	25-32/MIX9-16		01
SW023	WK207700	TACT SWITCH	SKRRABE010	タ ク ト ス イ ッ チ	33-40/MIX17-24		01
SW024	WK207700	TACT SWITCH	SKRRABE010	タ ク ト ス イ ッ チ	41-48/MATRIX		01
SW025	WK207700	TACT SWITCH	SKRRABE010	タ ク ト ス イ ッ チ	49-56/STEREO		01
SW026	WK207700	TACT SWITCH	SKRRABE010	タ ク ト ス イ ッ チ	56-64/STIN		01
SW027	WK207700	TACT SWITCH	SKRRABE010	タ ク ト ス イ ッ チ	64-72/CUSTOM		01
SW028	WK207700	TACT SWITCH	SKRRABE010	タ ク ト ス イ ッ チ	SRORE		01
SW029	WK207700	TACT SWITCH	SKRRABE010	タ ク ト ス イ ッ チ	RECALL		01
SW030	WK207700	TACT SWITCH	SKRRABE010	タ ク ト ス イ ッ チ	INC		01
SW031	WK207700	TACT SWITCH	SKRRABE010	タ ク ト ス イ ッ チ	DEC		01
SW032	WK207700	TACT SWITCH	SKRRABE010	タ ク ト ス イ ッ チ	UNDO		01
SW033	WK207700	TACT SWITCH	SKRRABE010	タ ク ト ス イ ッ チ	PREVIEW		01
SW101	WK207700	TACT SWITCH	SKRRABE010	タ ク ト ス イ ッ チ	STEREO SEL		01
SW102	WK207700	TACT SWITCH	SKRRABE010	タ ク ト ス イ ッ チ	STEREO CUE		01
SW103	WK207700	TACT SWITCH	SKRRABE010	タ ク ト ス イ ッ チ	STEREO ON		01
SW104	WK207700	TACT SWITCH	SKRRABE010	タ ク ト ス イ ッ チ	MONO SEL		01
SW105	WK207700	TACT SWITCH	SKRRABE010	タ ク ト ス イ ッ チ	MONO CUE		01
SW106	WK207700	TACT SWITCH	SKRRABE010	タ ク ト ス イ ッ チ	MONO ON		01
TR001	WC435000	DIGITAL TRANSISTOR	KRC102S-RTK/P	デ ジ タ ル ト ラ ン ジ ス タ			01
TR002	WG989900	DIGITAL TRANSISTOR	KRA226S-RTK/P	デ ジ タ ル ト ラ ン ジ ス タ			01
-011	WG989900	DIGITAL TRANSISTOR	KRA226S-RTK/P	デ ジ タ ル ト ラ ン ジ ス タ			01
VR001	VQ67050R	ROTARY POT.	B 10K RK11K1130A0M	ロ ー タ リ ー ポ リ ュ ム			02
W001	--	JUMPER WIRE	16P 140L 2678	2 6 7 8 ジ ャ ン パ ー ワ イ ヤ ー	(WZ30300)		
W002	--	JUMPER WIRE	10P 80L 2678	2 6 7 8 ジ ャ ン パ ー ワ イ ヤ ー	(WZ83400)		
X001	WB09320R	CERAMIC RESONATOR	CSTCE16M0V51-R0	セ ラ ミ ッ ク 振 動 子			01
	--	CIRCUIT BOARD	PN8	P N 8 シ ー ト	(YD534C0) (WY53120)		
C001	US14510R	CERAMIC CAPACITOR (CHIP)	0.1000 25V Z RECT.	チ ッ プ セ ラ (F)			01
C002	US14510R	CERAMIC CAPACITOR (CHIP)	0.1000 25V Z RECT.	チ ッ プ セ ラ (F)			01
C003	UF03810R	ELECTROLYTIC CAP. (CHIP)	100 16V	チ ッ プ ケ ミ コ ン			01
C004	UF03810R	ELECTROLYTIC CAP. (CHIP)	100 16V	チ ッ プ ケ ミ コ ン			01
C005	US14510R	CERAMIC CAPACITOR (CHIP)	0.1000 25V Z RECT.	チ ッ プ セ ラ (F)			01
C006	US063100	CERAMIC CAPACITOR (CHIP)	1000P 50V K RECT.	チ ッ プ セ ラ (B)			01
C007	US14510R	CERAMIC CAPACITOR (CHIP)	0.1000 25V Z RECT.	チ ッ プ セ ラ (F)			01
-009	US14510R	CERAMIC CAPACITOR (CHIP)	0.1000 25V Z RECT.	チ ッ プ セ ラ (F)			01
C010	UF03810R	ELECTROLYTIC CAP. (CHIP)	100 16V	チ ッ プ ケ ミ コ ン			01
C011	US14510R	CERAMIC CAPACITOR (CHIP)	0.1000 25V Z RECT.	チ ッ プ セ ラ (F)			01
C012	UF03810R	ELECTROLYTIC CAP. (CHIP)	100 16V	チ ッ プ ケ ミ コ ン			01
C013	US14510R	CERAMIC CAPACITOR (CHIP)	0.1000 25V Z RECT.	チ ッ プ セ ラ (F)			01
-019	US14510R	CERAMIC CAPACITOR (CHIP)	0.1000 25V Z RECT.	チ ッ プ セ ラ (F)			01
C020	US126100	CERAMIC CAPACITOR (CHIP)	1.0000 10V Z RECT.	チ ッ プ セ ラ F			01
-023	US126100	CERAMIC CAPACITOR (CHIP)	1.0000 10V Z RECT.	チ ッ プ セ ラ F			01

*: New Parts

RANK: Japan only

PN8

REF NO.	PART NO.	DESCRIPTION	部 品 名	REMARKS	QTY	RANK
C028	US14510R	CERAMIC CAPACITOR (CHIP)	0.1000 25V Z RECT.	チ ッ プ セ ラ (F)		01
C029	US662100	CERAMIC CAPACITOR (CHIP)	100P 50V J RECT.	チ ッ プ セ ラ (C H)		
C030	US662100	CERAMIC CAPACITOR (CHIP)	100P 50V J RECT.	チ ッ プ セ ラ (C H)		
C031	US14510R	CERAMIC CAPACITOR (CHIP)	0.1000 25V Z RECT.	チ ッ プ セ ラ (F)		01
CN001	VJ86160R	WIRE TRAP	52147 16P TE	ワ イ ヤ ー ト ラ ッ プ		01
CN002	VI879000	CABLE HOLDER	51048 12P TE	ケ ー ブ ル ホ ル ダ ー		01
CN003	VF66770R	WIRE TRAP	52147 17P TE	ワ イ ヤ ー ト ラ ッ プ		01
CN004	WA17860R	FFC CONNECTOR	52806-2210 22PIN	F F C コ ネ ク タ ー		01
CN005	WA17860R	FFC CONNECTOR	52806-2210 22PIN	F F C コ ネ ク タ ー		01
CN006	V492820R	FFC CONNECTOR	52806-1210 12P TE	F F C コ ネ ク タ ー		01
-009	V492820R	FFC CONNECTOR	52806-1210 12P TE	F F C コ ネ ク タ ー		01
D001	WG139300	DIODE (CHIP)	KDS4148U-RTK/P TE	チ ッ プ ダイ オ ー ド		
-050	WG139300	DIODE (CHIP)	KDS4148U-RTK/P TE	チ ッ プ ダイ オ ー ド		
* EC001	WY919700	ROTARY ENCODER	XRE012608PVB20FINB	ロ ー タ リ エ ン コ ー ダ		
* -008	WY919700	ROTARY ENCODER	XRE012608PVB20FINB	ロ ー タ リ エ ン コ ー ダ		
EM001	ZC805200	EMI FILTER (CHIP)	31PT222Z1E9L TP	チ ッ プ エ ミ フィ ル		01
-003	ZC805200	EMI FILTER (CHIP)	31PT222Z1E9L TP	チ ッ プ エ ミ フィ ル		01
FT001	V807480R	FET	MCH6616-TL-E TAPE	F E T		02
-004	V807480R	FET	MCH6616-TL-E TAPE	F E T		02
FT001	ZA683700	FET	US6K1TR	F E T		01
-004	ZA683700	FET	US6K1TR	F E T		01
* IC001	YE031100	IC	M38039G4H-819HP	I C	CPU (EC-PNS1)	
IC002	X5965A0R	IC	SN74LV04APWR	I C	INVERTER	01
IC003	X5965A0R	IC	SN74LV04APWR	I C	INVERTER	01
* IC004	YD685A00	IC	TLC5941PWPR	I C	LED DRIVER	
* IC005	YD685A00	IC	TLC5941PWPR	I C	LED DRIVER	
IC006	X7284A00	IC	SN74LV138APWR	I C	DECODER	01
IC007	X3693A01	IC	SN74LV245APWR	I C	TRANSCEIVER	05
IC008	X3693A01	IC	SN74LV245APWR	I C	TRANSCEIVER	05
* LD001	WY713800	LED (CHIP) GREEN	TLEGF1108	チ ッ プ L E D	CH 1 SEL	
LD002	WY713900	LED (CHIP) ORANGE	TLOM1108(T11,YH)	チ ッ プ L E D	CH 1 CUE	
* LD002	ZF070000	LED (CHIP) ORANGE	LO E6SF-BABB-24-1	チ ッ プ L E D		
LD003	WY781500	LED (CHIP) RED	SML-D12U8WT86(Q/R)	チ ッ プ L E D	CH 1 OVER	
LD004	WW948900	LED (CHIP) ORANGE	SML-D12D8WT86(R/S)	チ ッ プ L E D	CH 1 -6	
LD005	WW948900	LED (CHIP) ORANGE	SML-D12D8WT86(R/S)	チ ッ プ L E D	CH 1 -12	
LD006	WW948900	LED (CHIP) ORANGE	SML-D12D8WT86(R/S)	チ ッ プ L E D	CH 1 -18	
LD007	WY781600	LED (CHIP) GREEN	SML-D12M8WT86(N/P)	チ ッ プ L E D	CH 1 -30	
LD008	WY781600	LED (CHIP) GREEN	SML-D12M8WT86(N/P)	チ ッ プ L E D	CH 1 -60	
LD009	WY713900	LED (CHIP) ORANGE	TLOM1108(T11,YH)	チ ッ プ L E D	CH 1 ON	
* LD009	ZF070000	LED (CHIP) ORANGE	LO E6SF-BABB-24-1	チ ッ プ L E D		
LD010	WY713800	LED (CHIP) GREEN	TLEGF1108	チ ッ プ L E D	CH 2 SEL	
LD011	WY713900	LED (CHIP) ORANGE	TLOM1108(T11,YH)	チ ッ プ L E D	CH 2 CUE	
* LD011	ZF070000	LED (CHIP) ORANGE	LO E6SF-BABB-24-1	チ ッ プ L E D		
LD012	WY781500	LED (CHIP) RED	SML-D12U8WT86(Q/R)	チ ッ プ L E D	CH 2 OVER	
LD013	WW948900	LED (CHIP) ORANGE	SML-D12D8WT86(R/S)	チ ッ プ L E D	CH 2 -6	
LD014	WW948900	LED (CHIP) ORANGE	SML-D12D8WT86(R/S)	チ ッ プ L E D	CH 2 -12	
LD015	WW948900	LED (CHIP) ORANGE	SML-D12D8WT86(R/S)	チ ッ プ L E D	CH 2 -18	
LD016	WY781600	LED (CHIP) GREEN	SML-D12M8WT86(N/P)	チ ッ プ L E D	CH 2 -30	
LD017	WY781600	LED (CHIP) GREEN	SML-D12M8WT86(N/P)	チ ッ プ L E D	CH 2 -60	
LD018	WY713900	LED (CHIP) ORANGE	TLOM1108(T11,YH)	チ ッ プ L E D	CH 2 ON	
* LD018	ZF070000	LED (CHIP) ORANGE	LO E6SF-BABB-24-1	チ ッ プ L E D		
LD019	WY713800	LED (CHIP) GREEN	TLEGF1108	チ ッ プ L E D	CH 3 SEL	
LD020	WY713900	LED (CHIP) ORANGE	TLOM1108(T11,YH)	チ ッ プ L E D	CH 3 CUE	
* LD020	ZF070000	LED (CHIP) ORANGE	LO E6SF-BABB-24-1	チ ッ プ L E D		
LD021	WY781500	LED (CHIP) RED	SML-D12U8WT86(Q/R)	チ ッ プ L E D	CH 3 OVER	
LD022	WW948900	LED (CHIP) ORANGE	SML-D12D8WT86(R/S)	チ ッ プ L E D	CH 3 -6	
LD023	WW948900	LED (CHIP) ORANGE	SML-D12D8WT86(R/S)	チ ッ プ L E D	CH 3 -12	
LD024	WW948900	LED (CHIP) ORANGE	SML-D12D8WT86(R/S)	チ ッ プ L E D	CH 3 -18	
LD025	WY781600	LED (CHIP) GREEN	SML-D12M8WT86(N/P)	チ ッ プ L E D	CH 3 -30	
LD026	WY781600	LED (CHIP) GREEN	SML-D12M8WT86(N/P)	チ ッ プ L E D	CH 3 -60	
LD027	WY713900	LED (CHIP) ORANGE	TLOM1108(T11,YH)	チ ッ プ L E D	CH 3 ON	
* LD027	ZF070000	LED (CHIP) ORANGE	LO E6SF-BABB-24-1	チ ッ プ L E D		
LD028	WY713800	LED (CHIP) GREEN	TLEGF1108	チ ッ プ L E D	CH 4 SEL	
LD029	WY713900	LED (CHIP) ORANGE	TLOM1108(T11,YH)	チ ッ プ L E D	CH 4 CUE	
* LD029	ZF070000	LED (CHIP) ORANGE	LO E6SF-BABB-24-1	チ ッ プ L E D		
LD030	WY781500	LED (CHIP) RED	SML-D12U8WT86(Q/R)	チ ッ プ L E D	CH 4 OVER	
LD031	WW948900	LED (CHIP) ORANGE	SML-D12D8WT86(R/S)	チ ッ プ L E D	CH 4 -6	
LD032	WW948900	LED (CHIP) ORANGE	SML-D12D8WT86(R/S)	チ ッ プ L E D	CH 4 -12	
LD033	WW948900	LED (CHIP) ORANGE	SML-D12D8WT86(R/S)	チ ッ プ L E D	CH 4 -18	
LD034	WY781600	LED (CHIP) GREEN	SML-D12M8WT86(N/P)	チ ッ プ L E D	CH 4 -30	

*: New Parts

RANK: Japan only

PN8

REF NO.	PART NO.	DESCRIPTION	部 品 名	REMARKS	QTY	RANK
LD035	WY781600	LED (CHIP) GREEN	SML-D12M8WT86(N/P)	チ ッ プ L E D		
LD036	WY713900	LED (CHIP) ORANGE	TLOM1108(T11,YH)	チ ッ プ L E D		
* LD036	ZF070000	LED (CHIP) ORANGE	LO E6SF-BABB-24-1	チ ッ プ L E D	CH 4 ON	
LD037	WY713800	LED (CHIP) GREEN	TLEGF1108	チ ッ プ L E D	CH 5 SEL	
LD038	WY713900	LED (CHIP) ORANGE	TLOM1108(T11,YH)	チ ッ プ L E D	CH 5 CUE	
* LD038	ZF070000	LED (CHIP) ORANGE	LO E6SF-BABB-24-1	チ ッ プ L E D		
* LD039	WY781500	LED (CHIP) RED	SML-D12U8WT86(Q/R)	チ ッ プ L E D	CH 5 OVER	
LD040	WW948900	LED (CHIP) ORANGE	SML-D12D8WT86(R/S)	チ ッ プ L E D	CH 5 -6	
LD041	WW948900	LED (CHIP) ORANGE	SML-D12D8WT86(R/S)	チ ッ プ L E D	CH 5 -12	
LD042	WW948900	LED (CHIP) ORANGE	SML-D12D8WT86(R/S)	チ ッ プ L E D	CH 5 -18	
* LD043	WY781600	LED (CHIP) GREEN	SML-D12M8WT86(N/P)	チ ッ プ L E D	CH 5 -30	
* LD044	WY781600	LED (CHIP) GREEN	SML-D12M8WT86(N/P)	チ ッ プ L E D	CH 5 -60	
LD045	WY713900	LED (CHIP) ORANGE	TLOM1108(T11,YH)	チ ッ プ L E D	CH 5 ON	
* LD045	ZF070000	LED (CHIP) ORANGE	LO E6SF-BABB-24-1	チ ッ プ L E D		
* LD046	WY713800	LED (CHIP) GREEN	TLEGF1108	チ ッ プ L E D	CH 6 SEL	
LD047	WY713900	LED (CHIP) ORANGE	TLOM1108(T11,YH)	チ ッ プ L E D	CH 6 CUE	
* LD047	ZF070000	LED (CHIP) ORANGE	LO E6SF-BABB-24-1	チ ッ プ L E D		
LD048	WY781500	LED (CHIP) RED	SML-D12U8WT86(Q/R)	チ ッ プ L E D	CH 6 OVER	
LD049	WW948900	LED (CHIP) ORANGE	SML-D12D8WT86(R/S)	チ ッ プ L E D	CH 6 -6	
LD050	WW948900	LED (CHIP) ORANGE	SML-D12D8WT86(R/S)	チ ッ プ L E D	CH 6 -12	
LD051	WW948900	LED (CHIP) ORANGE	SML-D12D8WT86(R/S)	チ ッ プ L E D	CH 6 -18	
LD052	WY781600	LED (CHIP) GREEN	SML-D12M8WT86(N/P)	チ ッ プ L E D	CH 6 -30	
LD053	WY781600	LED (CHIP) GREEN	SML-D12M8WT86(N/P)	チ ッ プ L E D	CH 6 -60	
LD054	WY713900	LED (CHIP) ORANGE	TLOM1108(T11,YH)	チ ッ プ L E D	CH 6 ON	
* LD054	ZF070000	LED (CHIP) ORANGE	LO E6SF-BABB-24-1	チ ッ プ L E D		
LD055	WY713800	LED (CHIP) GREEN	TLEGF1108	チ ッ プ L E D	CH 7 SEL	
LD056	WY713900	LED (CHIP) ORANGE	TLOM1108(T11,YH)	チ ッ プ L E D	CH 7 CUE	
* LD056	ZF070000	LED (CHIP) ORANGE	LO E6SF-BABB-24-1	チ ッ プ L E D		
LD057	WY781500	LED (CHIP) RED	SML-D12U8WT86(Q/R)	チ ッ プ L E D	CH 7 OVER	
LD058	WW948900	LED (CHIP) ORANGE	SML-D12D8WT86(R/S)	チ ッ プ L E D	CH 7 -6	
LD059	WW948900	LED (CHIP) ORANGE	SML-D12D8WT86(R/S)	チ ッ プ L E D	CH 7 -12	
LD060	WW948900	LED (CHIP) ORANGE	SML-D12D8WT86(R/S)	チ ッ プ L E D	CH 7 -18	
LD061	WY781600	LED (CHIP) GREEN	SML-D12M8WT86(N/P)	チ ッ プ L E D	CH 7 -30	
LD062	WY781600	LED (CHIP) GREEN	SML-D12M8WT86(N/P)	チ ッ プ L E D	CH 7 -60	
LD063	WY713900	LED (CHIP) ORANGE	TLOM1108(T11,YH)	チ ッ プ L E D	CH 7 ON	
* LD063	ZF070000	LED (CHIP) ORANGE	LO E6SF-BABB-24-1	チ ッ プ L E D		
LD064	WY713800	LED (CHIP) GREEN	TLEGF1108	チ ッ プ L E D	CH 8 SEL	
LD065	WY713900	LED (CHIP) ORANGE	TLOM1108(T11,YH)	チ ッ プ L E D	CH 8 CUE	
* LD065	ZF070000	LED (CHIP) ORANGE	LO E6SF-BABB-24-1	チ ッ プ L E D		
LD066	WY781500	LED (CHIP) RED	SML-D12U8WT86(Q/R)	チ ッ プ L E D	CH 8 OVER	
LD067	WW948900	LED (CHIP) ORANGE	SML-D12D8WT86(R/S)	チ ッ プ L E D	CH 8 -6	
LD068	WW948900	LED (CHIP) ORANGE	SML-D12D8WT86(R/S)	チ ッ プ L E D	CH 8 -12	
LD069	WW948900	LED (CHIP) ORANGE	SML-D12D8WT86(R/S)	チ ッ プ L E D	CH 8 -18	
LD070	WY781600	LED (CHIP) GREEN	SML-D12M8WT86(N/P)	チ ッ プ L E D	CH 8 -30	
LD071	WY781600	LED (CHIP) GREEN	SML-D12M8WT86(N/P)	チ ッ プ L E D	CH 8 -60	
LD072	WY713900	LED (CHIP) ORANGE	TLOM1108(T11,YH)	チ ッ プ L E D	CH 8 ON	
* LD072	ZF070000	LED (CHIP) ORANGE	LO E6SF-BABB-24-1	チ ッ プ L E D		
* LD073	ZD114500	LED (CHIP) RED/GREEN/BLUE	SMLV56RGB1W1(5/6/7)	チ ッ プ L E D	CH1	
* LD074	ZD114500	LED (CHIP) RED/GREEN/BLUE	SMLV56RGB1W1(5/6/7)	チ ッ プ L E D	CH2	
* LD075	ZD114500	LED (CHIP) RED/GREEN/BLUE	SMLV56RGB1W1(5/6/7)	チ ッ プ L E D	CH3	
* LD076	ZD114500	LED (CHIP) RED/GREEN/BLUE	SMLV56RGB1W1(5/6/7)	チ ッ プ L E D	CH4	
* LD077	ZD114500	LED (CHIP) RED/GREEN/BLUE	SMLV56RGB1W1(5/6/7)	チ ッ プ L E D	CH5	
* LD078	ZD114500	LED (CHIP) RED/GREEN/BLUE	SMLV56RGB1W1(5/6/7)	チ ッ プ L E D	CH6	
* LD079	ZD114500	LED (CHIP) RED/GREEN/BLUE	SMLV56RGB1W1(5/6/7)	チ ッ プ L E D	CH7	
* LD080	ZD114500	LED (CHIP) RED/GREEN/BLUE	SMLV56RGB1W1(5/6/7)	チ ッ プ L E D	CH8	
R001	RD354470	CARBON RESISTOR (CHIP)	47.0 63M J RECT.	チ ッ プ 抵 抗		01
-003	RD354470	CARBON RESISTOR (CHIP)	47.0 63M J RECT.	チ ッ プ 抵 抗		01
R004	RD357100	CARBON RESISTOR (CHIP)	10.0K 63M J RECT.	チ ッ プ 抵 抗		01
R005	RD356100	CARBON RESISTOR (CHIP)	1.0K 63M J RECT.	チ ッ プ 抵 抗		01
R006	RD350001	CARBON RESISTOR (CHIP)	0 63M J RECT.	チ ッ プ 抵 抗		01
R026	RD354470	CARBON RESISTOR (CHIP)	47.0 63M J RECT.	チ ッ プ 抵 抗		01
R027	RD354470	CARBON RESISTOR (CHIP)	47.0 63M J RECT.	チ ッ プ 抵 抗		01
R028	RD356470	CARBON RESISTOR (CHIP)	4.7K 63M J RECT.	チ ッ プ 抵 抗		01
R029	RD355100	CARBON RESISTOR (CHIP)	100.0 63M J RECT.	チ ッ プ 抵 抗		01
R030	RD356470	CARBON RESISTOR (CHIP)	4.7K 63M J RECT.	チ ッ プ 抵 抗		01
R031	RD354470	CARBON RESISTOR (CHIP)	47.0 63M J RECT.	チ ッ プ 抵 抗		01
-034	RD354470	CARBON RESISTOR (CHIP)	47.0 63M J RECT.	チ ッ プ 抵 抗		01
R039	RD355100	CARBON RESISTOR (CHIP)	100.0 63M J RECT.	チ ッ プ 抵 抗		01
R040	RD354470	CARBON RESISTOR (CHIP)	47.0 63M J RECT.	チ ッ プ 抵 抗		01
R041	RD35427R	CARBON RESISTOR (CHIP)	27.0 63M J RECT.	チ ッ プ 抵 抗		01

*: New Parts

RANK: Japan only

PN8 and PNE NL

REF NO.	PART NO.	DESCRIPTION		部 品 名	REMARKS	QTY	RANK
-048	RD35427R	CARBON RESISTOR (CHIP)	27.0 63M J RECT.	チ ッ プ 抵 抗			01
R049	RD35456R	CARBON RESISTOR (CHIP)	56.0 63M J RECT.	チ ッ プ 抵 抗			01
-056	RD35456R	CARBON RESISTOR (CHIP)	56.0 63M J RECT.	チ ッ プ 抵 抗			01
R057	RD35518R	CARBON RESISTOR (CHIP)	180.0 63M J RECT.	チ ッ プ 抵 抗			01
-064	RD35518R	CARBON RESISTOR (CHIP)	180.0 63M J RECT.	チ ッ プ 抵 抗			01
R065	RD35527R	CARBON RESISTOR (CHIP)	270.0 63M J RECT.	チ ッ プ 抵 抗			01
-088	RD35527R	CARBON RESISTOR (CHIP)	270.0 63M J RECT.	チ ッ プ 抵 抗			01
R089	RD35456R	CARBON RESISTOR (CHIP)	56.0 63M J RECT.	チ ッ プ 抵 抗			01
-112	RD35456R	CARBON RESISTOR (CHIP)	56.0 63M J RECT.	チ ッ プ 抵 抗			01
RA001	WH211800	RESISTOR ARRAY	10K X 4	抵 抗 ア レ イ			01
-006	WH211800	RESISTOR ARRAY	10K X 4	抵 抗 ア レ イ			01
RA007	WH209400	RESISTOR ARRAY	1.0K X 4	抵 抗 ア レ イ			01
RA008	WH209400	RESISTOR ARRAY	1.0K X 4	抵 抗 ア レ イ			01
RA009	WH206200	RESISTOR ARRAY	47 X 4	抵 抗 ア レ イ			01
RA010	WH207000	RESISTOR ARRAY	100 X 4	抵 抗 ア レ イ			01
RA011	WH206200	RESISTOR ARRAY	47 X 4	抵 抗 ア レ イ			01
-014	WH206200	RESISTOR ARRAY	47 X 4	抵 抗 ア レ イ			01
RA015	WH211800	RESISTOR ARRAY	10K X 4	抵 抗 ア レ イ			01
RA016	WH211800	RESISTOR ARRAY	10K X 4	抵 抗 ア レ イ			01
RA017	WH206200	RESISTOR ARRAY	47 X 4	抵 抗 ア レ イ			01
SW001	WK207700	TACT SWITCH	SKRRABE010	タ ク ト ス イ ッ チ	CH 1 SEL		01
SW002	WK207700	TACT SWITCH	SKRRABE010	タ ク ト ス イ ッ チ	CH 1 CUE		01
SW003	WK207700	TACT SWITCH	SKRRABE010	タ ク ト ス イ ッ チ	CH 1 ON		01
SW004	WK207700	TACT SWITCH	SKRRABE010	タ ク ト ス イ ッ チ	CH 2 SEL		01
SW005	WK207700	TACT SWITCH	SKRRABE010	タ ク ト ス イ ッ チ	CH 2 CUE		01
SW006	WK207700	TACT SWITCH	SKRRABE010	タ ク ト ス イ ッ チ	CH 2 ON		01
SW007	WK207700	TACT SWITCH	SKRRABE010	タ ク ト ス イ ッ チ	CH 3 SEL		01
SW008	WK207700	TACT SWITCH	SKRRABE010	タ ク ト ス イ ッ チ	CH 3 CUE		01
SW009	WK207700	TACT SWITCH	SKRRABE010	タ ク ト ス イ ッ チ	CH 3 ON		01
SW010	WK207700	TACT SWITCH	SKRRABE010	タ ク ト ス イ ッ チ	CH 4 SEL		01
SW011	WK207700	TACT SWITCH	SKRRABE010	タ ク ト ス イ ッ チ	CH 4 CUE		01
SW012	WK207700	TACT SWITCH	SKRRABE010	タ ク ト ス イ ッ チ	CH 4 ON		01
SW013	WK207700	TACT SWITCH	SKRRABE010	タ ク ト ス イ ッ チ	CH 5 SEL		01
SW014	WK207700	TACT SWITCH	SKRRABE010	タ ク ト ス イ ッ チ	CH 5 CUE		01
SW015	WK207700	TACT SWITCH	SKRRABE010	タ ク ト ス イ ッ チ	CH 5 ON		01
SW016	WK207700	TACT SWITCH	SKRRABE010	タ ク ト ス イ ッ チ	CH 6 SEL		01
SW017	WK207700	TACT SWITCH	SKRRABE010	タ ク ト ス イ ッ チ	CH 6 CUE		01
SW018	WK207700	TACT SWITCH	SKRRABE010	タ ク ト ス イ ッ チ	CH 6 ON		01
SW019	WK207700	TACT SWITCH	SKRRABE010	タ ク ト ス イ ッ チ	CH 7 SEL		01
SW020	WK207700	TACT SWITCH	SKRRABE010	タ ク ト ス イ ッ チ	CH 7 CUE		01
SW021	WK207700	TACT SWITCH	SKRRABE010	タ ク ト ス イ ッ チ	CH 7 ON		01
SW022	WK207700	TACT SWITCH	SKRRABE010	タ ク ト ス イ ッ チ	CH 8 SEL		01
SW023	WK207700	TACT SWITCH	SKRRABE010	タ ク ト ス イ ッ チ	CH 8 CUE		01
SW024	WK207700	TACT SWITCH	SKRRABE010	タ ク ト ス イ ッ チ	CH 8 ON		01
TR001	WG435000	DIGITAL TRANSISTOR	KRC102S-RTK/P	デ ジ タ ル ト ラ ン ジ ス タ			01
TR002	WG989900	DIGITAL TRANSISTOR	KRA226S-RTK/P	デ ジ タ ル ト ラ ン ジ ス タ			01
-014	WG989900	DIGITAL TRANSISTOR	KRA226S-RTK/P	デ ジ タ ル ト ラ ン ジ ス タ			01
W001	--	JUMPER WIRE	12P 170L 2678	2 6 7 8 ジ ャ ン パ ー ワ イ ヤ ー	(WZ30290)		01
X001	WB09320R	CERAMIC RESONATOR	CSTCE16M0V51-R0	セ ラ ミ ッ ク 振 動 子			01
	--	CIRCUIT BOARD	PNE NL	P N E N L シ ー ト	(YD535C0) (WY53130)		
C001	US14510R	CERAMIC CAPACITOR (CHIP)	0.1000 25V Z RECT.	チ ッ プ セ ラ (F)			01
C002	UF03810R	ELECTROLYTIC CAP. (CHIP)	100 16V	チ ッ プ ケ ミ コ ン			01
C003	US14510R	CERAMIC CAPACITOR (CHIP)	0.1000 25V Z RECT.	チ ッ プ セ ラ (F)			01
C004	US063100	CERAMIC CAPACITOR (CHIP)	1000P 50V K RECT.	チ ッ プ セ ラ (B)			01
CN001	VI87940R	CABLE HOLDER	51048 16P TE	ケ ー ブ ル ホ ル ダ ー			01
D001	WG139300	DIODE (CHIP)	KDS4148U-RTK/P TE	チ ッ プ ダイ オード			01
-103	WG139300	DIODE (CHIP)	KDS4148U-RTK/P TE	チ ッ プ ダイ オード			01
* EC001	WY919700	ROTARY ENCODER	XRE012608PVB20FINB	ロ ー タ リ エ ン コー ダ	MIX/MATRIX 1		01
* -033	WY919700	ROTARY ENCODER	XRE012608PVB20FINB	ロ ー タ リ エ ン コー ダ	MIX/MATRIX 16		01
EM001	ZC805200	EMI FILTER (CHIP)	31PT222Z1E9L TP	チ ッ プ エ ミ フィ ル			01
* IC001	YE031100	IC	M38039G4H-819HP	I C	CPU (EC-PNS1)		01
* LD001	WY713800	LED (CHIP) GREEN	TLEGF1108	チ ッ プ L E D	MIX1-16		01
* LD002	WY713800	LED (CHIP) GREEN	TLEGF1108	チ ッ プ L E D	MIX17-24/MATRIX1-8		01
R001	RD357100	CARBON RESISTOR (CHIP)	10.0K 63M J RECT.	チ ッ プ 抵 抗			01
R002	RD357100	CARBON RESISTOR (CHIP)	10.0K 63M J RECT.	チ ッ プ 抵 抗			01
R003	RD354470	CARBON RESISTOR (CHIP)	47.0 63M J RECT.	チ ッ プ 抵 抗			01
-005	RD354470	CARBON RESISTOR (CHIP)	47.0 63M J RECT.	チ ッ プ 抵 抗			01
R006	RD350001	CARBON RESISTOR (CHIP)	0 63M J RECT.	チ ッ プ 抵 抗			01
R007	RD356100	CARBON RESISTOR (CHIP)	1.0K 63M J RECT.	チ ッ プ 抵 抗			01

*: New Parts

RANK: Japan only

PNENL and PNI and TBPHN

REF NO.	PART NO.	DESCRIPTION		部 品 名	REMARKS	QTY	RANK
R008	RD357100	CARBON RESISTOR (CHIP)	10.0K 63M J RECT.	チ ッ プ 抵 抗			01
R009	RD357100	CARBON RESISTOR (CHIP)	10.0K 63M J RECT.	チ ッ プ 抵 抗			01
R010	RD35427R	CARBON RESISTOR (CHIP)	27.0 63M J RECT.	チ ッ プ 抵 抗			01
R011	RD35427R	CARBON RESISTOR (CHIP)	27.0 63M J RECT.	チ ッ プ 抵 抗			01
RA001	WH211800	RESISTOR ARRAY	10K X 4	抵 抗 ア レ イ			01
-008	WH211800	RESISTOR ARRAY	10K X 4	抵 抗 ア レ イ			01
SW001	WK207700	TACT SWITCH	SKRRABE010	タ ク ト ス イ ッ チ			01
SW002	WK207700	TACT SWITCH	SKRRABE010	タ ク ト ス イ ッ チ			01
TR001	WC435000	DIGITAL TRANSISTOR	KRC102S-RTK/P	デ ジ タ ル ト ラ ン ジ ス タ			01
W001	--	JUMPER WIRE	16P 80L 2678	2 6 7 8 ジ ャ ン パ ー ワ イ ヤ ー	(WZ83410)		
X001	WB09320R	CERAMIC RESONATOR	CSTCE16M0V51-R0	セ ラ ミ ッ ク 振 動 子			01
* CN001	WY531500	CIRCUIT BOARD	PNI (PNICOM)	P N I シ ー ト	(WY53140)(YD536C0)		
D001	VI87950R	CABLE HOLDER	51048 17P TE	ケ ー ブ ル ホ ル ダ ー			01
D001	WG139300	DIODE (CHIP)	KDS4148U-RTK/P TE	チ ッ プ ダ イ オ ー ド			
-010	WG139300	DIODE (CHIP)	KDS4148U-RTK/P TE	チ ッ プ ダ イ オ ー ド			
* LD001	WY781600	LED (CHIP) GREEN	SML-D12M8WT86(N/P)	チ ッ プ L E D	GAIN		
* LD002	WY781600	LED (CHIP) GREEN	SML-D12M8WT86(N/P)	チ ッ プ L E D	PAN		
* LD003	WY781600	LED (CHIP) GREEN	SML-D12M8WT86(N/P)	チ ッ プ L E D	ASSIGN		
LD004	WY714000	LED (CHIP) YELLOW	TLYM1108(T11,YH)	チ ッ プ L E D	1-16		
* LD004	ZF069200	LED (CHIP) YELLOW	LY E6SF-BACA-46-1	チ ッ プ L E D			
LD005	WY713800	LED (CHIP) GREEN	TLEGF1108	チ ッ プ L E D	1-16		
LD006	WY714000	LED (CHIP) YELLOW	TLYM1108(T11,YH)	チ ッ プ L E D	17-32		
* LD006	ZF069200	LED (CHIP) YELLOW	LY E6SF-BACA-46-1	チ ッ プ L E D			
LD007	WY713800	LED (CHIP) GREEN	TLEGF1108	チ ッ プ L E D	17-32		
LD008	WY713800	LED (CHIP) GREEN	TLEGF1108	チ ッ プ L E D	33-48		
LD009	WY713800	LED (CHIP) GREEN	TLEGF1108	チ ッ プ L E D	48-64		
LD010	WY713800	LED (CHIP) GREEN	TLEGF1108	チ ッ プ L E D	65-72		
LD011	WY714000	LED (CHIP) YELLOW	TLYM1108(T11,YH)	チ ッ プ L E D	STIN		
* LD011	ZF069200	LED (CHIP) YELLOW	LY E6SF-BACA-46-1	チ ッ プ L E D			
LD012	WY713800	LED (CHIP) GREEN	TLEGF1108	チ ッ プ L E D	STIN		
LD013	WY714000	LED (CHIP) YELLOW	TLYM1108(T11,YH)	チ ッ プ L E D	DCA		
* LD013	ZF069200	LED (CHIP) YELLOW	LY E6SF-BACA-46-1	チ ッ プ L E D			
LD014	WY713800	LED (CHIP) GREEN	TLEGF1108 GREEN	チ ッ プ L E D	DCA		
LD015	WY714000	LED (CHIP) YELLOW	TLYM1108(T11,YH)	チ ッ プ L E D	CUSTOM		
* LD015	ZF069200	LED (CHIP) YELLOW	LY E6SF-BACA-46-1	チ ッ プ L E D			
LD016	WY713800	LED (CHIP) GREEN	TLEGF1108	チ ッ プ L E D	CUSTOM		
* LD017	WY713800	LED (CHIP) GREEN	TLEGF1108	チ ッ プ L E D	CUSTOM		
R001	RD35456R	CARBON RESISTOR (CHIP)	56.0 63M J RECT.	チ ッ プ 抵 抗			01
-008	RD35456R	CARBON RESISTOR (CHIP)	56.0 63M J RECT.	チ ッ プ 抵 抗			01
R009	RD35427R	CARBON RESISTOR (CHIP)	27.0 63M J RECT.	チ ッ プ 抵 抗			01
-017	RD35427R	CARBON RESISTOR (CHIP)	27.0 63M J RECT.	チ ッ プ 抵 抗			01
SW001	WK207700	TACT SWITCH	SKRRABE010	タ ク ト ス イ ッ チ	GAIN/PAN/ASSIGN		01
SW002	WK207700	TACT SWITCH	SKRRABE010	タ ク ト ス イ ッ チ	1-16		01
SW003	WK207700	TACT SWITCH	SKRRABE010	タ ク ト ス イ ッ チ	17-32		01
SW004	WK207700	TACT SWITCH	SKRRABE010	タ ク ト ス イ ッ チ	33-48		01
SW005	WK207700	TACT SWITCH	SKRRABE010	タ ク ト ス イ ッ チ	48-64		01
SW006	WK207700	TACT SWITCH	SKRRABE010	タ ク ト ス イ ッ チ	65-72		01
SW007	WK207700	TACT SWITCH	SKRRABE010	タ ク ト ス イ ッ チ	STIN		01
SW008	WK207700	TACT SWITCH	SKRRABE010	タ ク ト ス イ ッ チ	DCA		01
SW009	WK207700	TACT SWITCH	SKRRABE010	タ ク ト ス イ ッ チ	CUSTOM		01
SW010	WK207700	TACT SWITCH	SKRRABE010	タ ク ト ス イ ッ チ	CUSTOM		01
W001	--	JUMPER WIRE	17P 150L 2678	2 6 7 8 ジ ャ ン パ ー ワ イ ヤ ー	(WZ30280)		
* C901	WY643600	CIRCUIT BOARD	TBPHN	T B P H N シ ー ト	(YD589C0)		
C901	US061470	CERAMIC CAPACITOR (CHIP)	47P 50V J RECT.	チ ッ プ セ ラ (C H)			01
C902	US061470	CERAMIC CAPACITOR (CHIP)	47P 50V J RECT.	チ ッ プ セ ラ (C H)			01
C903	US062470	CERAMIC CAPACITOR (CHIP)	470P 50V J RECT.	チ ッ プ セ ラ (S L)			01
C904	UR877470	ELECTROLYTIC CAPACITOR	47.00 63.0V RX TP	ケ ミ コ ン			01
C905	VJ09740R	ELECTROLYTIC CAPACITOR	10.00 50.0V TATETE	ケ ミ コ ン K L			01
C906	VJ09740R	ELECTROLYTIC CAPACITOR	10.00 50.0V TATETE	ケ ミ コ ン K L			01
C907	US062220	CERAMIC CAPACITOR (CHIP)	220P 50V J RECT.	チ ッ プ セ ラ (S L)			01
C908	US062220	CERAMIC CAPACITOR (CHIP)	220P 50V J RECT.	チ ッ プ セ ラ (S L)			01
C909	US063100	CERAMIC CAPACITOR (CHIP)	1000P 50V K RECT.	チ ッ プ セ ラ (B)			01
C910	US063100	CERAMIC CAPACITOR (CHIP)	1000P 50V K RECT.	チ ッ プ セ ラ (B)			01
C911	UR819100	ELECTROLYTIC CAPACITOR	1000 6.3V RX TP	ケ ミ コ ン			01
C912	US061100	CERAMIC CAPACITOR (CHIP)	10P 50V D RECT.	チ ッ プ セ ラ (C H)			01
C913	US061100	CERAMIC CAPACITOR (CHIP)	10P 50V D RECT.	チ ッ プ セ ラ (C H)			01
C914	US062220	CERAMIC CAPACITOR (CHIP)	220P 50V J RECT.	チ ッ プ セ ラ (S L)			01
C915	US061220	CERAMIC CAPACITOR (CHIP)	22P 50V J RECT.	チ ッ プ セ ラ (C H)			01

*: New Parts

RANK: Japan only

TBP HN

REF NO.	PART NO.	DESCRIPTION	部 品 名	REMARKS	QTY	RANK
C916	US061220	CERAMIC CAPACITOR (CHIP)	22P 50V J RECT.	チップセラ (C H)		01
C917	US064100	CERAMIC CAPACITOR (CHIP)	0.0100 50V K RECT.	チップセラ (B)		01
C918	US064100	CERAMIC CAPACITOR (CHIP)	0.0100 50V K RECT.	チップセラ (B)		01
C919	UF047330	ELECTROLYTIC CAP. (CHIP)	33 25V	チップケミコン		01
C920	US064100	CERAMIC CAPACITOR (CHIP)	0.0100 50V K RECT.	チップセラ (B)		01
C921	US064100	CERAMIC CAPACITOR (CHIP)	0.0100 50V K RECT.	チップセラ (B)		01
C922	US062220	CERAMIC CAPACITOR (CHIP)	220P 50V J RECT.	チップセラ (S L)		01
C923	US062220	CERAMIC CAPACITOR (CHIP)	220P 50V J RECT.	チップセラ (S L)		01
C924	WB575000	POLYESTER FILM CAP. (CHIP)	0.0010 50V J RECT.	チップマイラー		01
C925	US14510R	CERAMIC CAPACITOR (CHIP)	0.1000 25V Z RECT.	チップセラ (F)		01
-929	US14510R	CERAMIC CAPACITOR (CHIP)	0.1000 25V Z RECT.	チップセラ (F)		01
C930	UF03810R	ELECTROLYTIC CAP. (CHIP)	100 16V	チップケミコン		01
C931	UF047220	ELECTROLYTIC CAP. (CHIP)	22 25V	チップケミコン		01
-933	UF047220	ELECTROLYTIC CAP. (CHIP)	22 25V	チップケミコン		01
C934	US135220	CERAMIC CAPACITOR (CHIP)	0.2200 16V Z RECT.	チップセラ (F)		01
C935	UF047220	ELECTROLYTIC CAP. (CHIP)	22 25V	チップケミコン		01
C936	US14510R	CERAMIC CAPACITOR (CHIP)	0.1000 25V Z RECT.	チップセラ (F)		01
-939	US14510R	CERAMIC CAPACITOR (CHIP)	0.1000 25V Z RECT.	チップセラ (F)		01
C940	UF037100	ELECTROLYTIC CAP. (CHIP)	10 16V	チップケミコン		01
C941	US135220	CERAMIC CAPACITOR (CHIP)	0.2200 16V Z RECT.	チップセラ (F)		01
C942	UF037100	ELECTROLYTIC CAP. (CHIP)	10 16V	チップケミコン		01
C943	US14510R	CERAMIC CAPACITOR (CHIP)	0.1000 25V Z RECT.	チップセラ (F)		01
-945	US14510R	CERAMIC CAPACITOR (CHIP)	0.1000 25V Z RECT.	チップセラ (F)		01
C946	UF037100	ELECTROLYTIC CAP. (CHIP)	10 16V	チップケミコン		01
C947	UF037100	ELECTROLYTIC CAP. (CHIP)	10 16V	チップケミコン		01
C949	WB575400	POLYESTER FILM CAP. (CHIP)	0.0022 50V J RECT.	チップマイラー		01
C950	WB575400	POLYESTER FILM CAP. (CHIP)	0.0022 50V J RECT.	チップマイラー		01
C951	WB574000	POLYESTER FILM CAP. (CHIP)	.00015 50V J RECT.	チップマイラー		01
-954	WB574000	POLYESTER FILM CAP. (CHIP)	.00015 50V J RECT.	チップマイラー		01
C955	US064100	CERAMIC CAPACITOR (CHIP)	0.0100 50V K RECT.	チップセラ (B)		01
C956	US064100	CERAMIC CAPACITOR (CHIP)	0.0100 50V K RECT.	チップセラ (B)		01
C957	UF067100	CAPACITOR	10 50V	チップケミコン		01
-960	UF067100	CAPACITOR	10 50V	チップケミコン		01
C961	US061220	CERAMIC CAPACITOR (CHIP)	22P 50V J RECT.	チップセラ (C H)		01
C962	US061220	CERAMIC CAPACITOR (CHIP)	22P 50V J RECT.	チップセラ (C H)		01
C963	UF03810R	ELECTROLYTIC CAP. (CHIP)	100 16V	チップケミコン		01
C964	UF03810R	ELECTROLYTIC CAP. (CHIP)	100 16V	チップケミコン		01
C965	WB575800	POLYESTER FILM CAP. (CHIP)	0.0047 50V J RECT.	チップマイラー		01
C966	WB575800	POLYESTER FILM CAP. (CHIP)	0.0047 50V J RECT.	チップマイラー		01
C967	US062220	CERAMIC CAPACITOR (CHIP)	220P 50V J RECT.	チップセラ (S L)		01
C968	US062220	CERAMIC CAPACITOR (CHIP)	220P 50V J RECT.	チップセラ (S L)		01
C969	UR838470	ELECTROLYTIC CAPACITOR	470.00 16.0V RX TP	ケ ミ コ ン		01
C970	UR838470	ELECTROLYTIC CAPACITOR	470.00 16.0V RX TP	ケ ミ コ ン		01
C971	WR473100	POLYESTER FILM CAP. (CHIP)	0.22 50V J KAKUTE	チップマイラー		02
C972	WR473100	POLYESTER FILM CAP. (CHIP)	0.22 50V J KAKUTE	チップマイラー		02
C973	WN789100	CERAMIC CAPACITOR (CHIP)	0.3300 50V K KAKUT	チップセラ (B)		01
C973	WZ372700	CERAMIC CAPACITOR (CHIP)	0.3300 50V K KAKUT	チップセラ (X 7 R)		01
C974	US14510R	CERAMIC CAPACITOR (CHIP)	0.1000 25V Z RECT.	チップセラ (F)		01
C975	UR84922R	ELECTROLYTIC CAPACITOR	2200 25.0V RX TP	ケ ミ コ ン		03
C976	US064100	CERAMIC CAPACITOR (CHIP)	0.0100 50V K RECT.	チップセラ (B)		01
C978	UR857470	ELECTROLYTIC CAPACITOR	47.00 35.0V RX TP	ケ ミ コ ン		01
C980	UF047220	ELECTROLYTIC CAP. (CHIP)	22 25V	チップケミコン		01
-982	UF047220	ELECTROLYTIC CAP. (CHIP)	22 25V	チップケミコン		01
C983	WM490200	MONOLITHIC CERAMIC CAP(CHIP)	0.470 50V K 2012	チップ積層セラコン		01
C984	WN422300	ELECTROLYTIC CAP. (CHIP)	47.00 35.0V TP	チップケミコン U D		01
C985	WM490200	MONOLITHIC CERAMIC CAP(CHIP)	0.470 50V K 2012	チップ積層セラコン		01
C986	WN422300	ELECTROLYTIC CAP. (CHIP)	47.00 35.0V TP	チップケミコン U D		01
CN901	WC19660R	FMN CONNECTOR	FMN 16P TE	F M N コ ネ ク タ ー		03
CN902	VB390500	CONNECTOR	PH 9P TE	ベ ー ス ポ ス ト		03
D901	VT53250R	DIODE (CHIP)	D1F60 1A 600V TP	チップダイオード		01
D902	WW351600	DIODE (CHIP)	DB2J31400L TE	チップダイオード		01
-905	WW351600	DIODE (CHIP)	DB2J31400L TE	チップダイオード		01
D906	VS59760R	DIODE (CHIP)	RB160L-40 TE25 TP	チップダイオード		01
-910	VS59760R	DIODE (CHIP)	RB160L-40 TE25 TP	チップダイオード		01
EM901	VI243100	EMI FILTER	DSS6NB32A271Q93A	L C フ ィ ル タ ー		01
EM902	VI243100	EMI FILTER	DSS6NB32A271Q93A	L C フ ィ ル タ ー		01
EM903	ZC805200	EMI FILTER (CHIP)	31PT222Z1E9L TP	チップエミフィル		01
EM904	ZC805200	EMI FILTER (CHIP)	31PT222Z1E9L TP	チップエミフィル		01
EM906	ZC805200	EMI FILTER (CHIP)	31PT222Z1E9L TP	チップエミフィル		01
-909	ZC805200	EMI FILTER (CHIP)	31PT222Z1E9L TP	チップエミフィル		01

*: New Parts

RANK: Japan only

TBPHN

REF NO.	PART NO.	DESCRIPTION	部 品 名	REMARKS	QTY	RANK
IC901	X3505A00	IC	NJM2068M-D(TE2)	C		02
IC902	X3505A00	IC	NJM2068M-D(TE2)	C		02
IC903	X5364B00	IC	AK5385BVF-E2	C		07
IC904	XM182A0R	IC	TC7S04F(TE85R,F)	C		01
IC905	X3693A01	IC	SN74LV245APWR	C		05
IC906	X8324A00	IC	AK4396VF-E2	C		06
IC907	XJ598A0R	IC	NJM78L05UA-TE1	C		02
IC908	X3505A00	IC	NJM2068M-D(TE2)	C		02
IC909	XP705A0R	IC	NJM2073D	C		03
IC910	X4153A00	IC	KIA7812API	C		02
IC911	X7876A00	IC	LM2940CT-15/NOPB	C		04
IC912	X4638A0R	IC	LM2990T-15/NOPB	C		06
* JK901	ZE939500	CANNON CONNECTOR	JACK NC3FAHL1-D	キャノンコネクタ	} TALKBACK	
* JK901	WZ891900	CANNON CONNECTOR	JACK NC3FAHL1-D	キャノンコネクタ		
JK902	VE382300	PHONE CONNECTOR	JACK YKB21-5010	ホンコネクタ	PHONES	01
K901	WE03720R	JACK PLATE		プレートジャック単連		
L901	GE300610	FERRITE BEAD	BL02RN1R2P1A RX T	フェライトビーズ		01
L902	GE300610	FERRITE BEAD	BL02RN1R2P1A RX T	フェライトビーズ		01
R900	RF35768R	CARBON RESISTOR (CHIP)	68.0K D 1608	チップ抵抗		01
R901	WJ117700	CARBON RESISTOR (CHIP)	6.8K 1/4W D 2012	チップ抵抗		01
R902	WJ117700	CARBON RESISTOR (CHIP)	6.8K 1/4W D 2012	チップ抵抗		01
R903	RD358100	CARBON RESISTOR (CHIP)	100.0K 63M J RECT.	チップ抵抗		01
R904	WR461500	CARBON RESISTOR (CHIP)	390.0 1/4 D KAKUTE	チップ金属被膜抵抗		01
R905	RD357391	CARBON RESISTOR (CHIP)	39.0K 63M J RECT.	チップ抵抗		01
R906	RD357220	CARBON RESISTOR (CHIP)	22.0K 63M J RECT.	チップ抵抗		01
R907	RD357100	CARBON RESISTOR (CHIP)	10.0K 63M J RECT.	チップ抵抗		01
R908	RD357100	CARBON RESISTOR (CHIP)	10.0K 63M J RECT.	チップ抵抗		01
R909	RF354100	CARBON RESISTOR (CHIP)	10.0 D 1608	チップ抵抗		01
R910	RF354100	CARBON RESISTOR (CHIP)	10.0 D 1608	チップ抵抗		01
R911	RF35747R	CARBON RESISTOR (CHIP)	47.0K D 1608	チップ抵抗		01
R912	RF35747R	CARBON RESISTOR (CHIP)	47.0K D 1608	チップ抵抗		01
R913	RF354100	CARBON RESISTOR (CHIP)	10.0 D 1608	チップ抵抗		01
R914	RF354100	CARBON RESISTOR (CHIP)	10.0 D 1608	チップ抵抗		01
R915	RF35622R	CARBON RESISTOR (CHIP)	2.2K D 1608	チップ抵抗		01
R916	RF35622R	CARBON RESISTOR (CHIP)	2.2K D 1608	チップ抵抗		01
R917	RF35418R	CARBON RESISTOR (CHIP)	18.0 D 1608	チップ抵抗		01
R918	RF35722R	CARBON RESISTOR (CHIP)	22.0K D 1608	チップ抵抗		01
R919	RF35722R	CARBON RESISTOR (CHIP)	22.0K D 1608	チップ抵抗		01
R920	RF35662R	CARBON RESISTOR (CHIP)	6.2K D 1608	チップ抵抗		01
R921	RF35662R	CARBON RESISTOR (CHIP)	6.2K D 1608	チップ抵抗		01
R922	RF357100	CARBON RESISTOR (CHIP)	10.0K D 1608	チップ抵抗		01
R923	RF357100	CARBON RESISTOR (CHIP)	10.0K D 1608	チップ抵抗		01
R924	RF35439R	CARBON RESISTOR (CHIP)	39.0 D 1608	チップ抵抗		01
R925	RF35718R	CARBON RESISTOR (CHIP)	18.0K D 1608	チップ抵抗		01
R926	RF35622R	CARBON RESISTOR (CHIP)	2.2K D 1608	チップ抵抗		01
-928	RF35622R	CARBON RESISTOR (CHIP)	2.2K D 1608	チップ抵抗		01
R929	RF355220	CARBON RESISTOR (CHIP)	220.0 D 1608	チップ抵抗		01
R930	RF355220	CARBON RESISTOR (CHIP)	220.0 D 1608	チップ抵抗		01
R931	RF357100	CARBON RESISTOR (CHIP)	10.0K D 1608	チップ抵抗		01
R932	RF357100	CARBON RESISTOR (CHIP)	10.0K D 1608	チップ抵抗		01
R933	RD35439R	CARBON RESISTOR (CHIP)	39.0 63M J RECT.	チップ抵抗		01
-940	RD35439R	CARBON RESISTOR (CHIP)	39.0 63M J RECT.	チップ抵抗		01
R943	RD35439R	CARBON RESISTOR (CHIP)	39.0 63M J RECT.	チップ抵抗		01
-949	RD35439R	CARBON RESISTOR (CHIP)	39.0 63M J RECT.	チップ抵抗		01
R950	RD357100	CARBON RESISTOR (CHIP)	10.0K 63M J RECT.	チップ抵抗		01
R951	RD357100	CARBON RESISTOR (CHIP)	10.0K 63M J RECT.	チップ抵抗		01
R952	RD357220	CARBON RESISTOR (CHIP)	22.0K 63M J RECT.	チップ抵抗		01
-954	RD357220	CARBON RESISTOR (CHIP)	22.0K 63M J RECT.	チップ抵抗		01
R955	RD358100	CARBON RESISTOR (CHIP)	100.0K 63M J RECT.	チップ抵抗		01
R956	RF356560	CARBON RESISTOR (CHIP)	5.6K D 1608	チップ抵抗		01
-959	RF356560	CARBON RESISTOR (CHIP)	5.6K D 1608	チップ抵抗		01
R960	RF35722R	CARBON RESISTOR (CHIP)	22.0K D 1608	チップ抵抗		01
-963	RF35722R	CARBON RESISTOR (CHIP)	22.0K D 1608	チップ抵抗		01
R965	RD358100	CARBON RESISTOR (CHIP)	100.0K 63M J RECT.	チップ抵抗		01
-967	RD358100	CARBON RESISTOR (CHIP)	100.0K 63M J RECT.	チップ抵抗		01
R968	RF355470	CARBON RESISTOR (CHIP)	470.0 D 1608	チップ抵抗		01
-971	RF355470	CARBON RESISTOR (CHIP)	470.0 D 1608	チップ抵抗		01
R972	RF35439R	CARBON RESISTOR (CHIP)	39.0 D 1608	チップ抵抗		01
R973	RF35439R	CARBON RESISTOR (CHIP)	39.0 D 1608	チップ抵抗		01
R974	RF35747R	CARBON RESISTOR (CHIP)	47.0K D 1608	チップ抵抗		01

*: New Parts

RANK: Japan only

TBP HN

REF NO.	PART NO.	DESCRIPTION		部 品 名	REMARKS	QTY	RANK
R975	RF35747R	CARBON RESISTOR (CHIP)	47.0K D 1608	チ ッ プ 抵 抗			01
R976	RF35722R	CARBON RESISTOR (CHIP)	22.0K D 1608	チ ッ プ 抵 抗			01
R977	RF35722R	CARBON RESISTOR (CHIP)	22.0K D 1608	チ ッ プ 抵 抗			01
R978	RF355150	CARBON RESISTOR (CHIP)	150.0 D 1608	チ ッ プ 抵 抗			01
R979	RF355150	CARBON RESISTOR (CHIP)	150.0 D 1608	チ ッ プ 抵 抗			01
R980	RF356560	CARBON RESISTOR (CHIP)	5.6K D 1608	チ ッ プ 抵 抗			
R981	RF356560	CARBON RESISTOR (CHIP)	5.6K D 1608	チ ッ プ 抵 抗			
R982	RF354150	CARBON RESISTOR (CHIP)	15.0 D 1608	チ ッ プ 抵 抗			01
R983	RF354150	CARBON RESISTOR (CHIP)	15.0 D 1608	チ ッ プ 抵 抗			01
R984	RF35810R	CARBON RESISTOR (CHIP)	100.0K D 1608	チ ッ プ 抵 抗			01
R985	RF35810R	CARBON RESISTOR (CHIP)	100.0K D 1608	チ ッ プ 抵 抗			01
R986	VC74290R	METAL OXIDE FILM RESISTOR	15.0 1W J	酸 化 金 属 被 膜 抵 抗			01
R987	VC74290R	METAL OXIDE FILM RESISTOR	15.0 1W J	酸 化 金 属 被 膜 抵 抗			01
R988	RD257100	CARBON RESISTOR (CHIP)	10.0K 0.1 J RECT.	チ ッ プ 抵 抗			01
R989	RD257100	CARBON RESISTOR (CHIP)	10.0K 0.1 J RECT.	チ ッ プ 抵 抗			01
TR901	VV540200	TRANSISTOR	2SB1260	ト ラ ン ジ ス タ 2 S B			01
TR901	ZC354500	TRANSISTOR	KTA1668-Y-RTF/P	ト ラ ン ジ ス タ	} Pair		01
TR902	WC139600	TRANSISTOR	KTC3911S-GR-RTK/P	ト ラ ン ジ ス タ			01
-904	WC139600	TRANSISTOR	KTC3911S-GR-RTK/P	ト ラ ン ジ ス タ	} Pair		01
TR902	V742170R	TRANSISTOR	2SC3324-GR,BL(TE85)	チ ッ プ ト ラ ン ジ ス タ			01
-904	V742170R	TRANSISTOR	2SC3324-GR,BL(TE85)	チ ッ プ ト ラ ン ジ ス タ			01
TR905	WC529400	TRANSISTOR	KTC3875S-Y,GR-RTK	ト ラ ン ジ ス タ			01
TR906	WC529500	TRANSISTOR	KTA1504S-Y,GR-RTK	ト ラ ン ジ ス タ			
TR906	WK752300	TRANSISTOR	ISA1235AC1-T112-1E	ト ラ ン ジ ス タ			01
TR906	WW667700	TRANSISTOR	2SA812A-T1B-AT M5	ト ラ ン ジ ス タ 2 S A			01
* TR906	ZC051200	TRANSISTOR	2SA812-T1B-AT M5	ト ラ ン ジ ス タ 2 S A			
TR907	VG013300	TRANSISTOR	2SB1132 82-390 TP	ト ラ ン ジ ス タ 2 S B			01
TR908	WU100700	TRANSISTOR	2SD INC2002AM1-T111-1	ト ラ ン ジ ス タ 2 S D			
TR909	WU100700	TRANSISTOR	2SD INC2002AM1-T111-1	ト ラ ン ジ ス タ 2 S D			
VR901	WE50790R	ROTARY VARIABLE RESISTOR	TOKU 5.0K RK09L112	ロ ー タ リ ー V R	TALKBACK LEVEL		03
VR902	WE50800R	ROTARY VARIABLE RESISTOR	A 10K RK09L12B0C1R	二 連 ロ ー タ リ ー V R	PHONES LEVEL		03
	VN103500	LITHIUM BATTERY	CR2032	リ チ ウ ム 電 池			03
	WE222901	POWER SUPPLY UNIT	ADA600F-24-SXYMH J	電 源 ユ ニ ッ ト			52
* --	WZ981400	DC FAN MOTOR	9S0824L4D03	D C フ ァ ン モ ー タ ー			
	--	DC FAN MOTOR	109P0524M7D03	D C フ ァ ン モ ー タ ー	(WZ98150)		
* --	WZ443600	CONNECTOR ASSEMBLY	CANNON&PH2P 450L	線 材 A s s ' y	See page 5. LOC 940	2	
	--	CANNON CONNECTOR	JACK 4PIN HA16PRK-4S	キ ャ ノ ン コ ネ ク タ	(VS64730)	2	07
	--	MONOLITHIC CERAMIC CAPACITOR	0.010 50V Z TP	積 層 セ ラ コ ン	(VZ66250)	4	01
* --	WZ443700	CONNECTOR ASSEMBLY	CANNON&PH2P 650L	線 材 A s s ' y	See page 5. LOC 950		
	--	CANNON CONNECTOR	JACK 4PIN HA16PRK-4S	キ ャ ノ ン コ ネ ク タ	(VS64730)		07
	--	MONOLITHIC CERAMIC CAPACITOR	0.010 50V Z TP	積 層 セ ラ コ ン	(VZ66250)	2	01
* --	WY919800	CRYSTAL DISPLAY	UMSH-8650ED-F	液 晶 デ ィ ス プ レ イ			17
	--	CRYSTAL DISPLAY	AA104SH02--T1	液 晶 デ ィ ス プ レ イ	(WZ03340)		

*: New Parts

RANK: Japan only

* As to TR903 and TR904, be sure to replace both at the same time, using the same parts.

96 * TR903, TR904 は、2 個同時にペアで同一品を交換してください。

DIGITAL MIXING CONSOLE

CLS

CIRCUIT DIAGRAM

■ CONTENTS (目次)

BLOCK DIAGRAM (001-011) (ブロックダイアグラム).....	3-13
OVERALL CONNECTOR CIRCUIT DIAGRAM (001-002) (総コネクタ接続回路図)	14-15
CIRCUIT DIAGRAM (回路図)	
ACCOM (AC, DC)	17
CPU (001-006)	18-23
DA	24
DCMS (001-004)	25-28
DNTSB (DNTU) (001-006)	29-34
DSP (001-012).....	35-46
FDCOM (FD2, FD8, FD8CN) (001- 003)	47-49
FX (001-006)	50-55
HAAD (001-003)	56-58
JK (001-003)	59-61
LCDCOM (LCDC, USB) (001-002).....	62-63
MB (001-006).....	64-69
OPT	70
PN2	71
PN8 (001-003).....	72-74
PNENL (001-002).....	75-76
PNENR	77
PNI	78
PNM (001-003)	79-81
TBPHN	82

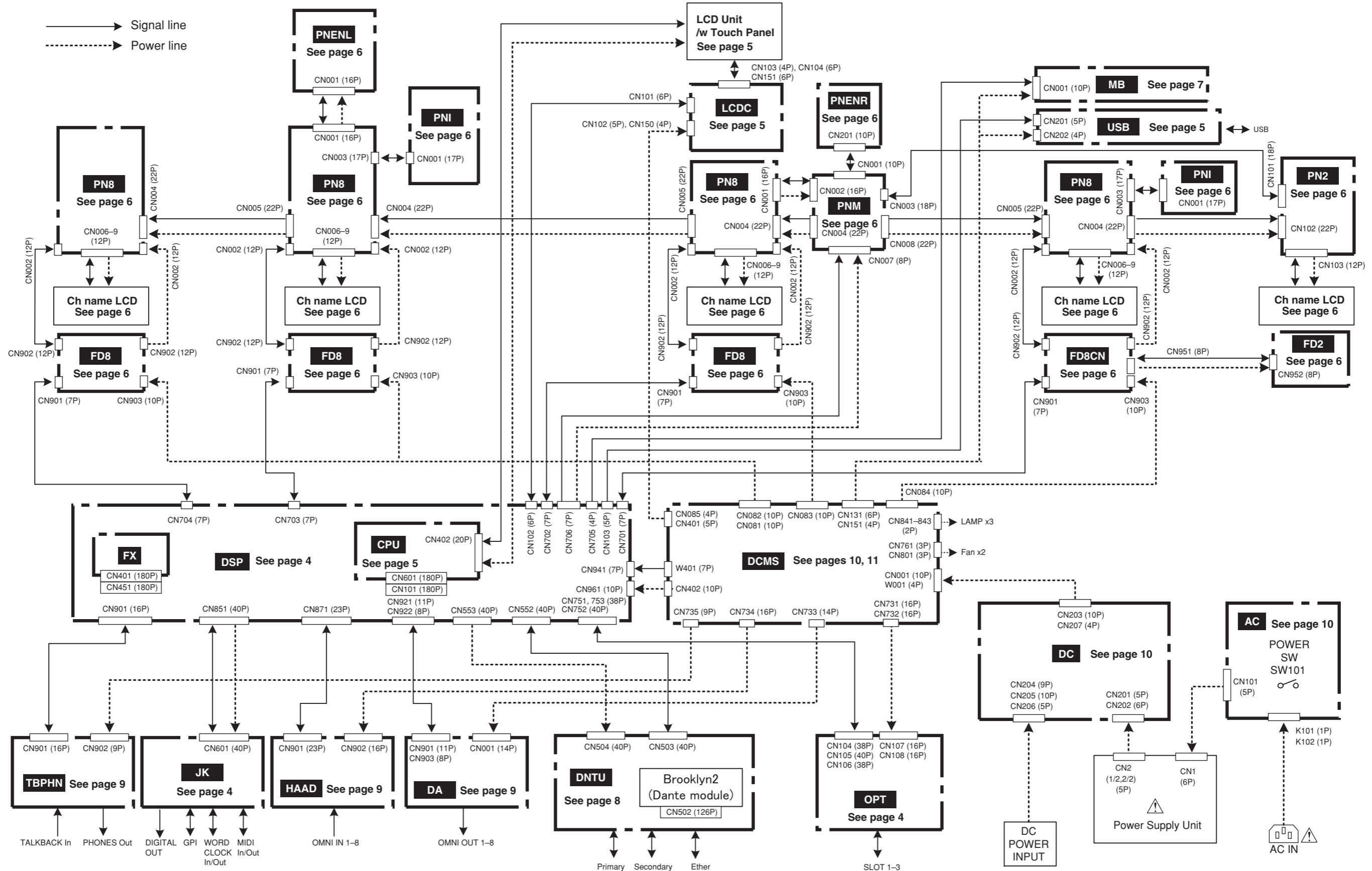
* For the detailed table of contents, refer to page 2.

※ 詳細の目次は、2 ページを参照してください。

CONTENTS (目次)

BLOCK DIAGRAM (001-011) (ブロックダイアグラム).....	3-13	FX (001-006).....	50-55
GENERAL DIAGRAM (全体図).....	001..... 3	SHARC.....	001..... 50
DSP, FX, JK, OPT.....	002..... 4	DSP6 #1.....	002..... 51
CPU, LCD, USB, 10.4" LCD.....	003..... 5	DSP6 #2.....	003..... 52
PNM, PNI, PNENL, PNENR, PN8, FD8, FD8CN, PN2, FD2, Ch.Name LCD.....	004..... 6	DSP6 #3.....	004..... 53
MB, PNMB.....	005..... 7	DSP6 #4.....	005..... 54
DNTU, Brooklyn2.....	006..... 8	DSP I/F, DC-DC CONVERTER.....	006..... 55
HAAD, DA, TBPHN.....	007..... 9	HAAD (001-003).....	56-58
POWER SUPPLY DIAGRAM (電源系統図 1/2).....	009..... 10	HEAD AMP AND AD CONVERTER.....	001..... 56
POWER SUPPLY DIAGRAM (電源系統図 2/2).....	010..... 11	HEAD AMP AND AD CONVERTER.....	002..... 57
DSP I/O PORT DIAGRAM (DSP 結線図).....	010..... 12	HA CONTROLLER.....	003..... 58
LEVEL DIAGRAM (レベルダイヤグラム).....	011..... 13	JK (001-003).....	59-61
OVERALL CONNECTOR CIRCUIT DIAGRAM (001-002) (総コネクタ接続回路図).....	14-15	DIGITAL OUT, GPI.....	001..... 59
OVERALL CONNECTOR CIRCUIT DIAGRAM.....	001..... 14	WORD CLOCK, MID I.....	002..... 60
Wiring Diagram of Connector Assembly (束線結線表).....	002..... 15	DSP I/F.....	003..... 61
CIRCUIT DIAGRAM (回路図)		LDCOM (LCDC, USB) (001-002).....	62-63
ACCOM (AC, DC).....	17	TOUCH PANEL CONTROL, LED BACKLIGHT DRIVE, LCD POWER SUPPLY.....	001..... 62
CPU (001-006).....	18-23	USB HUB WITH POWER SWITCH.....	002..... 63
POWER SUPPLY, RESET (電源、リセット).....	001..... 18	DSP7 #1-#4.....	003..... 66
CPLD (Bus Control), MEMORY, E-BUS HOST.....	002..... 19	DSP7 #5-#8.....	004..... 67
DDR2-SDRAM.....	003..... 20	DSP7 #9-#11, FX I/F.....	005..... 68
LCD I/F, ETHERNET PHY.....	004..... 21	DSP7-DANTE I/F.....	006..... 69
BATTERY CIRCUIT, RTS.....	005..... 22	MB (001-006).....	64-69
DSP I/F.....	006..... 23	HOST I/F, CONTROLLER (C-MB2), LED SINK/SOURCE DRIVER 001.....	64
DA.....	24	MIX 1-8 LED MATRIX.....	002..... 65
DCMS (001-004).....	25-28	MIX 9-16 LED MATRIX.....	003..... 66
POWER DETECT, CLOCK GENERATOR, DC-DC CONVERTER.....	001..... 25	MIX 17-24 LED MATRIX.....	004..... 67
DC-DC CONVERTER.....	002..... 26	MATRIX 1-8 LED MATRIX.....	005..... 68
DC-DC CONVERTER, LINEAR REGULATOR.....	003..... 27	STEREO L/R, MONO, CUE L/R, LED MATRIX.....	006..... 69
LINEAR REGULATOR, DC-DC CONVERTER.....	004..... 28	OPT.....	70
DNTSB (DNTU) (001-006).....	29-34	PN2.....	71
CPU 1/2.....	001..... 29	PN8 (001-003).....	72-74
CPU 2/2.....	002..... 30	FD8 I/F (E-BUS Ext I/F), PNENL/PNM I/F, PNI I/F, CONTROLLER (EC-PNS1), LED SINK/SOURCE DRIVER 001.....	72
CPLD.....	003..... 31	LED MATRIX, SWITCH MATRIX, ENCODER MATRIX.....	002..... 73
DSP7.....	004..... 32	PNM (PN2/PN8) I/F, LCDM I/F, LED DRIVER, MULTI COLOR LED.....	003..... 74
DANTE.....	005..... 33	PNENL (001-002).....	75-76
AD/DA I/F.....	006..... 34	PNENL 002 CIRCUIT DIAGRAM.....	001..... 75
DSP (001-012).....	35-46	PNENL 002 CIRCUIT DIAGRAM.....	002..... 76
CPU I/F.....	001..... 35	PNENR.....	77
CLOCK CONTROL.....	002..... 36	PNI.....	78
DSP7 #1-#4.....	003..... 37	PNM (001-003).....	79-81
DSP7 #5-#8.....	004..... 38	PN8 I/F (E-BUS Ext I/F), PNENR I/F, PN2 I/F, CONTROLLER (EC-PNS1), LED SINK/SOURCE DRIVER, MONITOR LEVEL VOLUME.....	001..... 64
DSP7 #9-#11, FX I/F.....	005..... 39	LED MATRIX, SWITCH MATRIX.....	002..... 65
DSP7-DANTE I/F.....	006..... 40	PN2/PN8 I/F, DSP I/F, CONTROLLER (C-MD1), BUFFER.....	003..... 81
MP3 ENCODE/DECODE.....	007..... 41	TBPHN.....	82
FD, MB, PNM I/F.....	008..... 42		
SLOT I/F.....	009..... 43		
JK I/F.....	010..... 44		
HAAD I/F.....	011..... 45		
TBPHN, DA, DCMS I/F, DC-DC CONVERTER.....	012..... 46		
FDCOM (FD2, FD8, FD8CN) (001-003).....	47-49		
FADERS CONTROLLER.....	001..... 47		
FADERS & MOTOR DRIVERS.....	002..... 48		
FADERS.....	003..... 49		

■ BLOCK DIAGRAM 001 (CL5)



28CA1-2001089459-1

GENERAL DIAGRAM (全体図)
■ BLOCK DIAGRAM 001 (CL5)

1

2

3

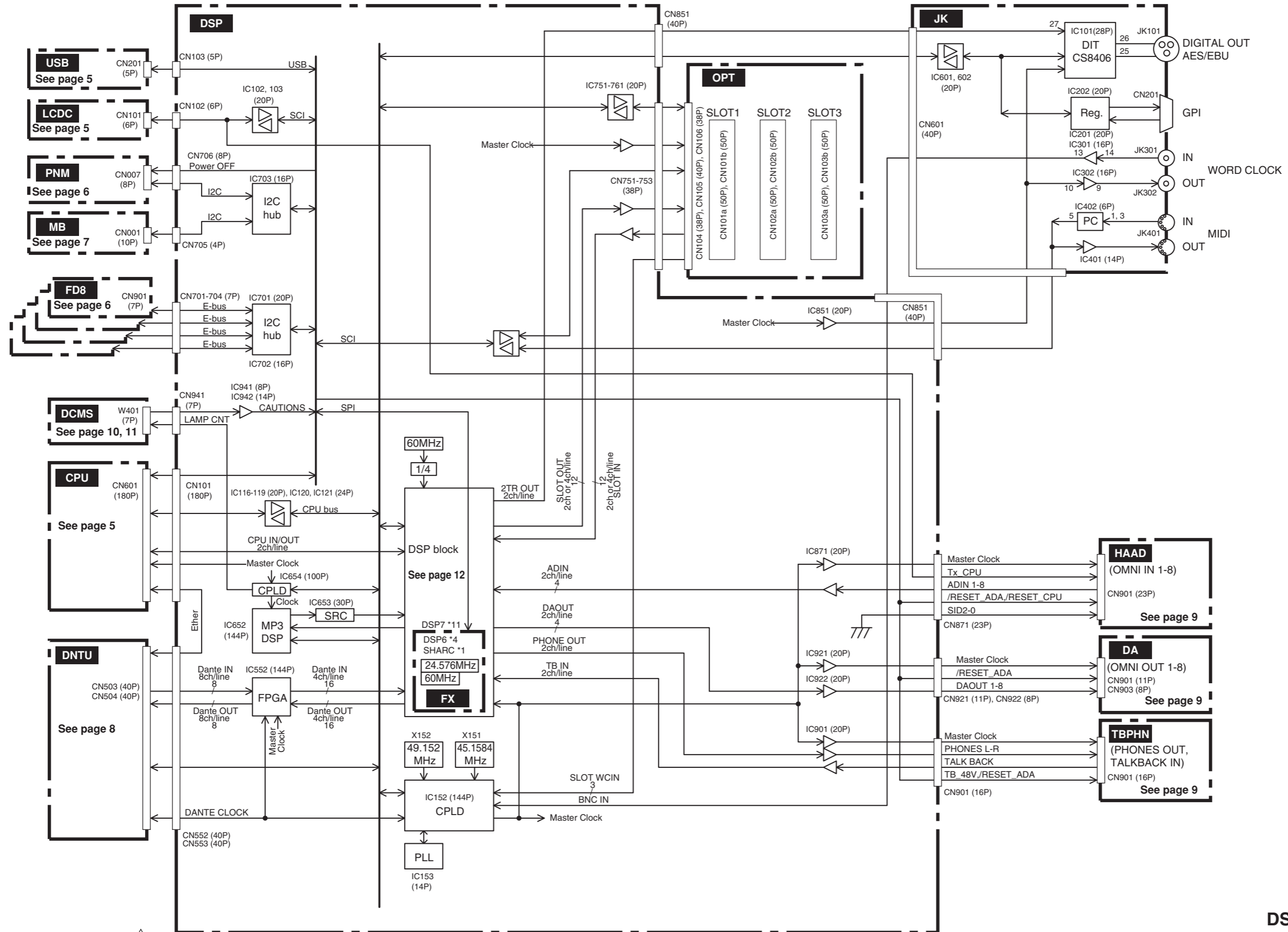
4

5

6

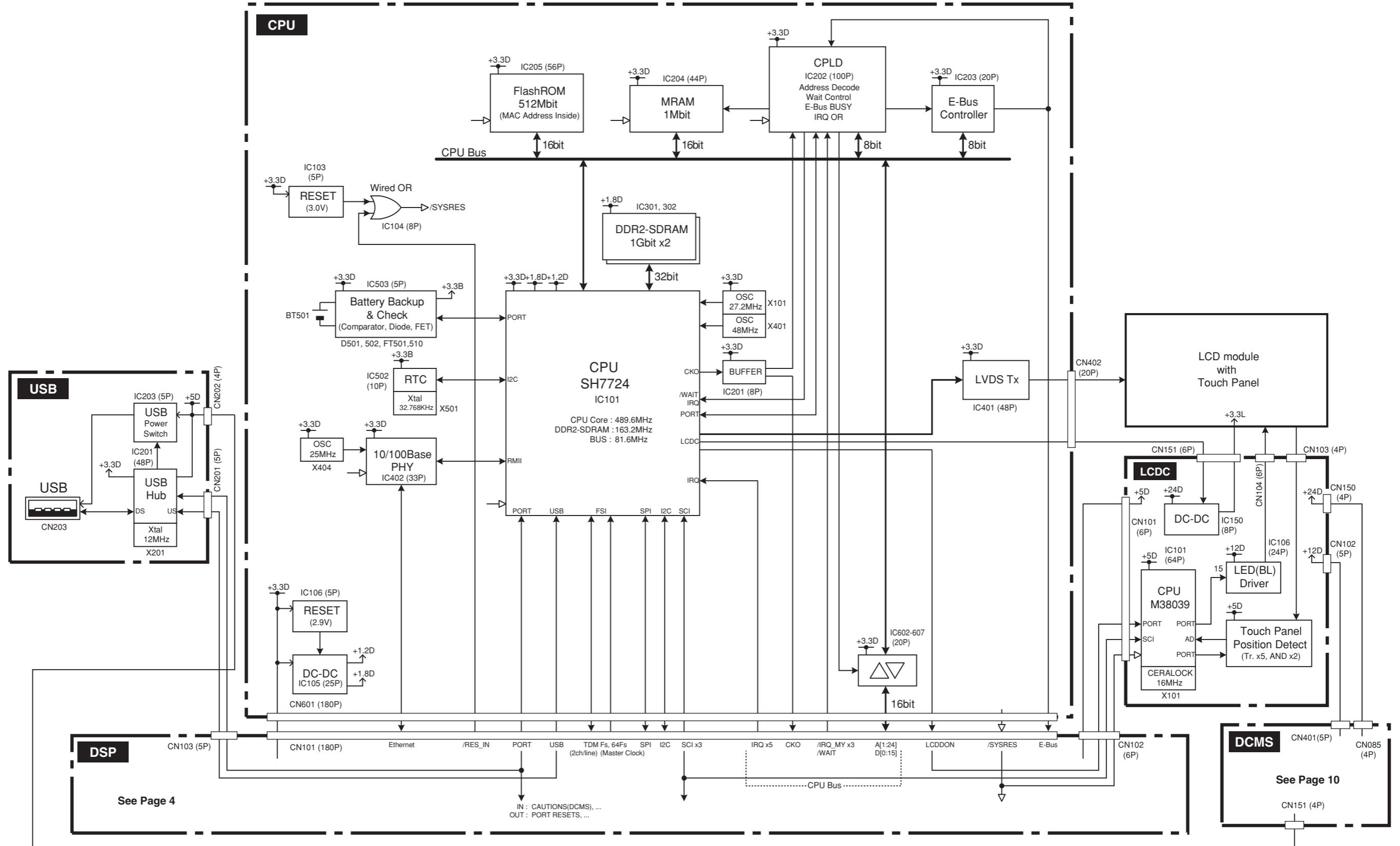
BLOCK DIAGRAM 002 (CL5)

CL5



■ BLOCK DIAGRAM 003 (CL5)

CL5

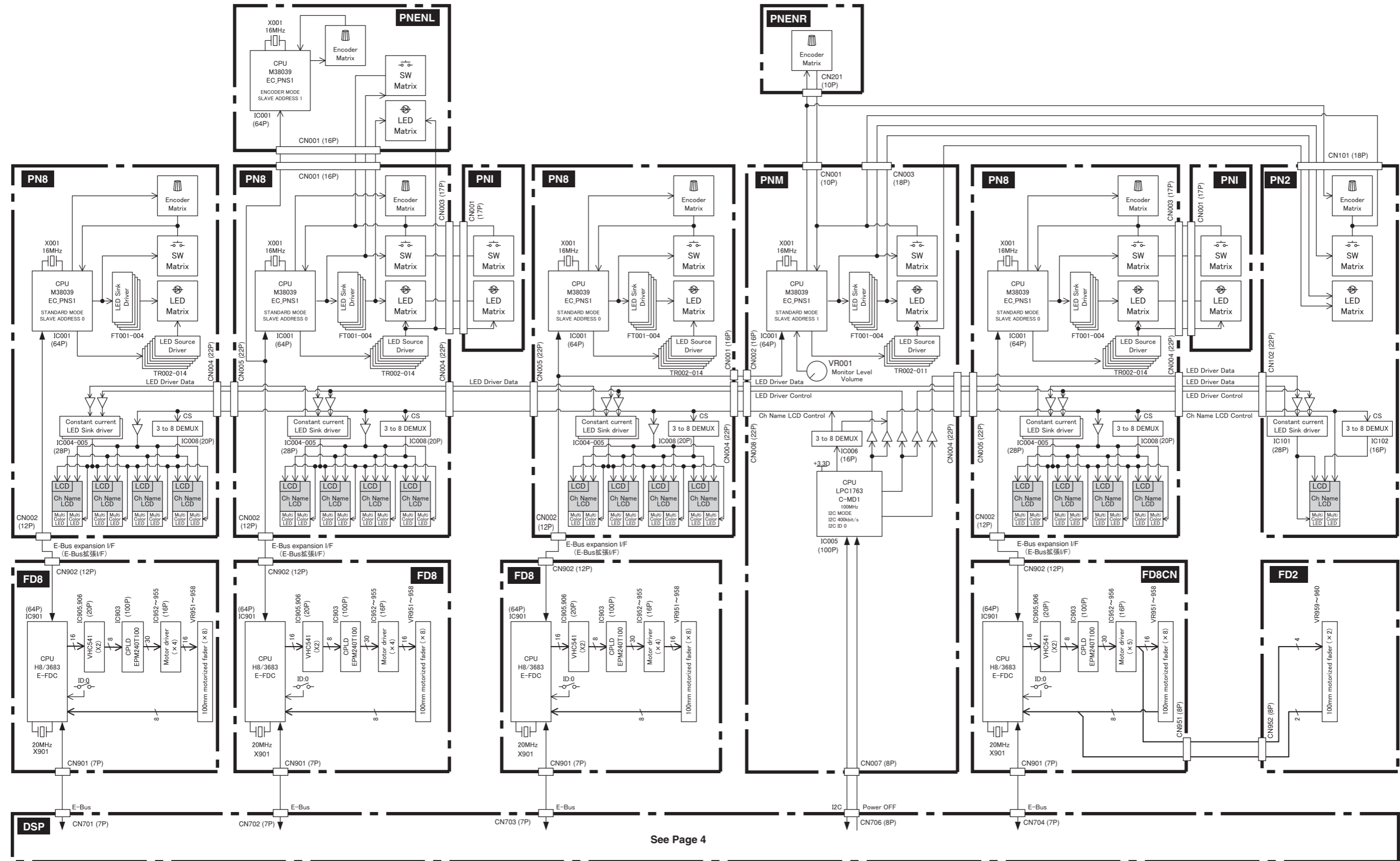


28CA1-2001089459-3

CPU, LCDC, USB, 10.4" LCD
 ■ BLOCK DIAGRAM 003 (CL5)

BLOCK DIAGRAM 004 (CL5)

CL5



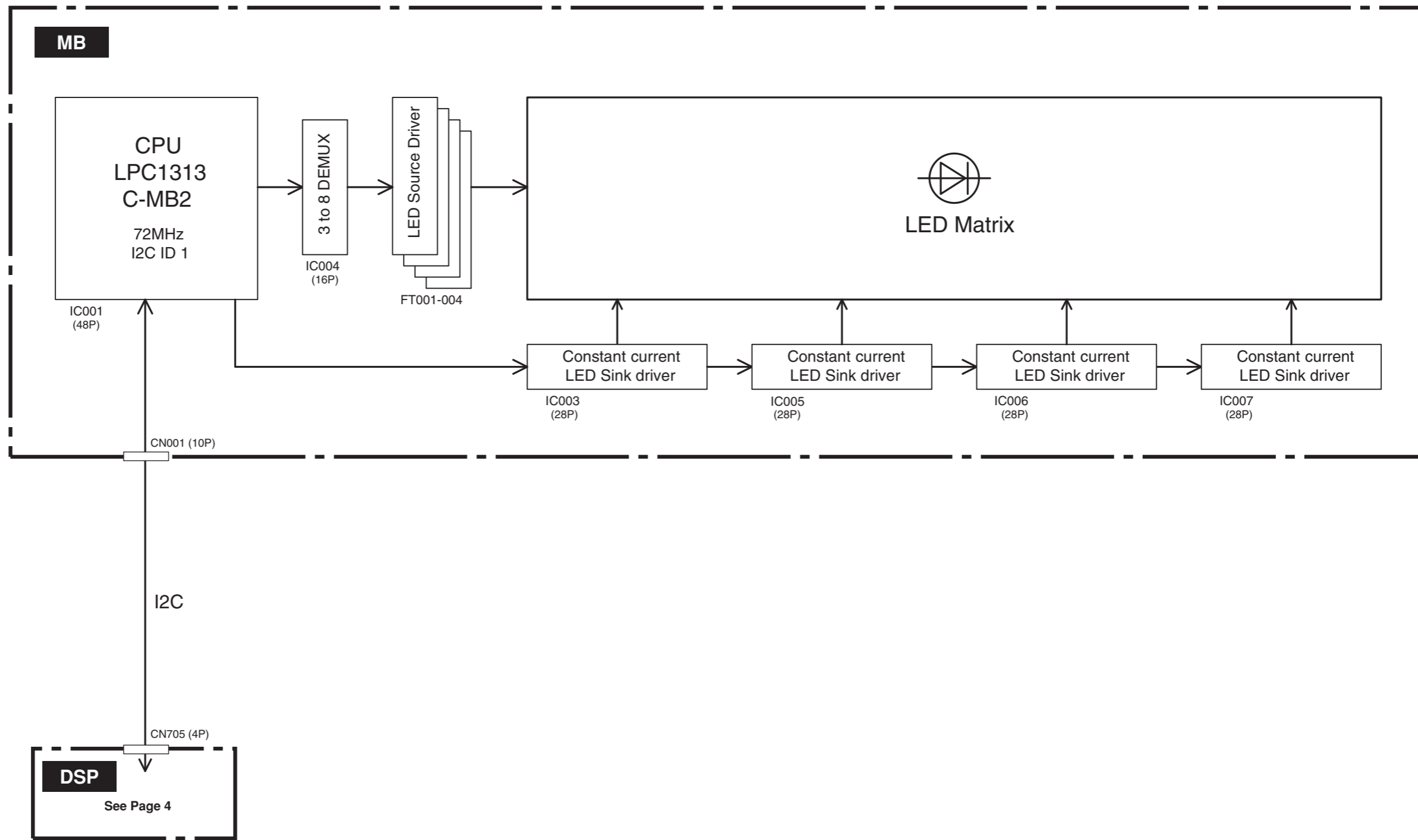
See Page 4

28CA1-2001089459-4

PNM, PNI, PNENL, PNENR, PN8, FD8, FD8CN, PN2, FD2, Ch.Name LCD
BLOCK DIAGRAM 004 (CL5)

■ BLOCK DIAGRAM 005 (CL5)

CL5



1

2

3

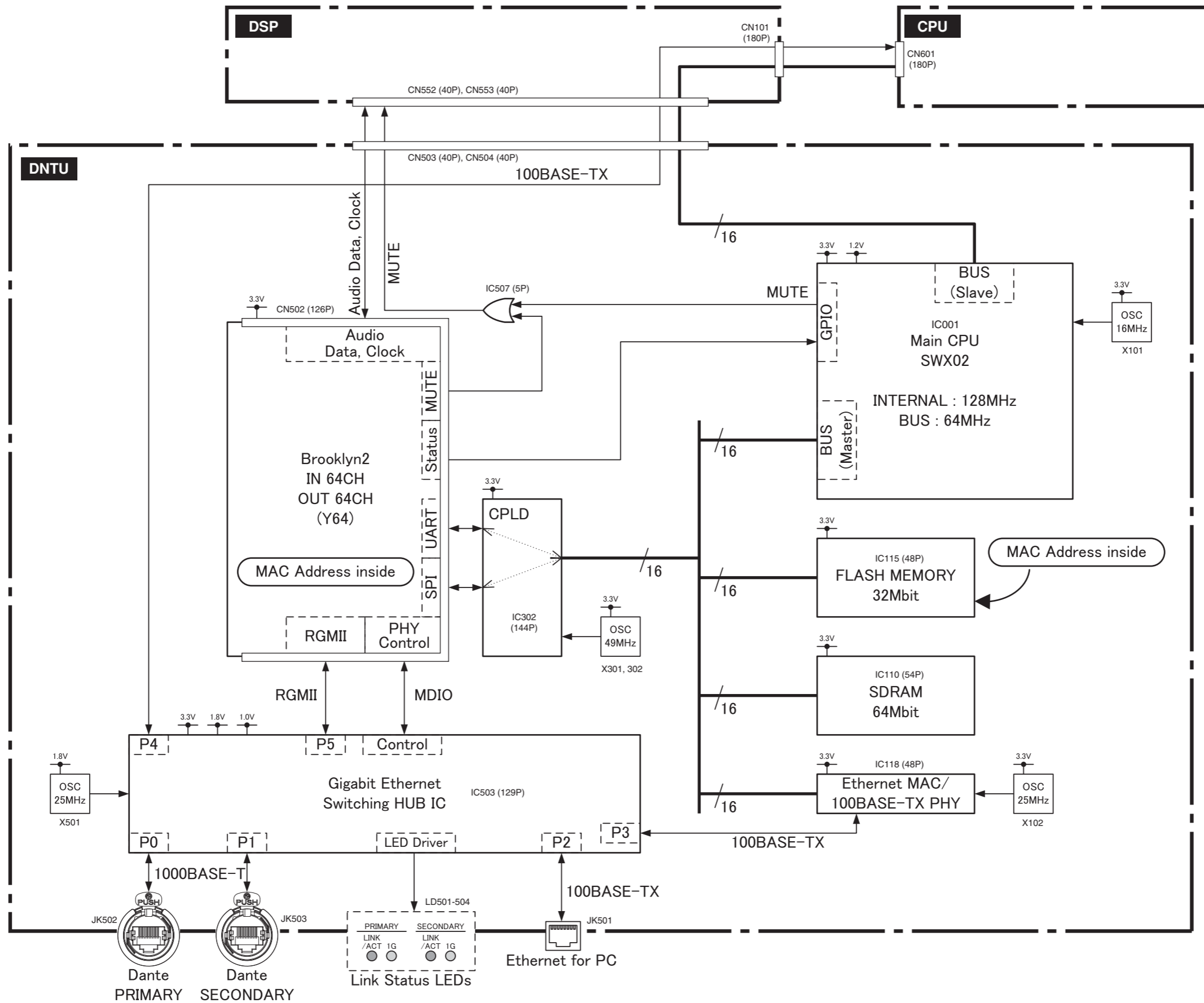
4

5

6

■ BLOCK DIAGRAM 006 (CL5)

CL5

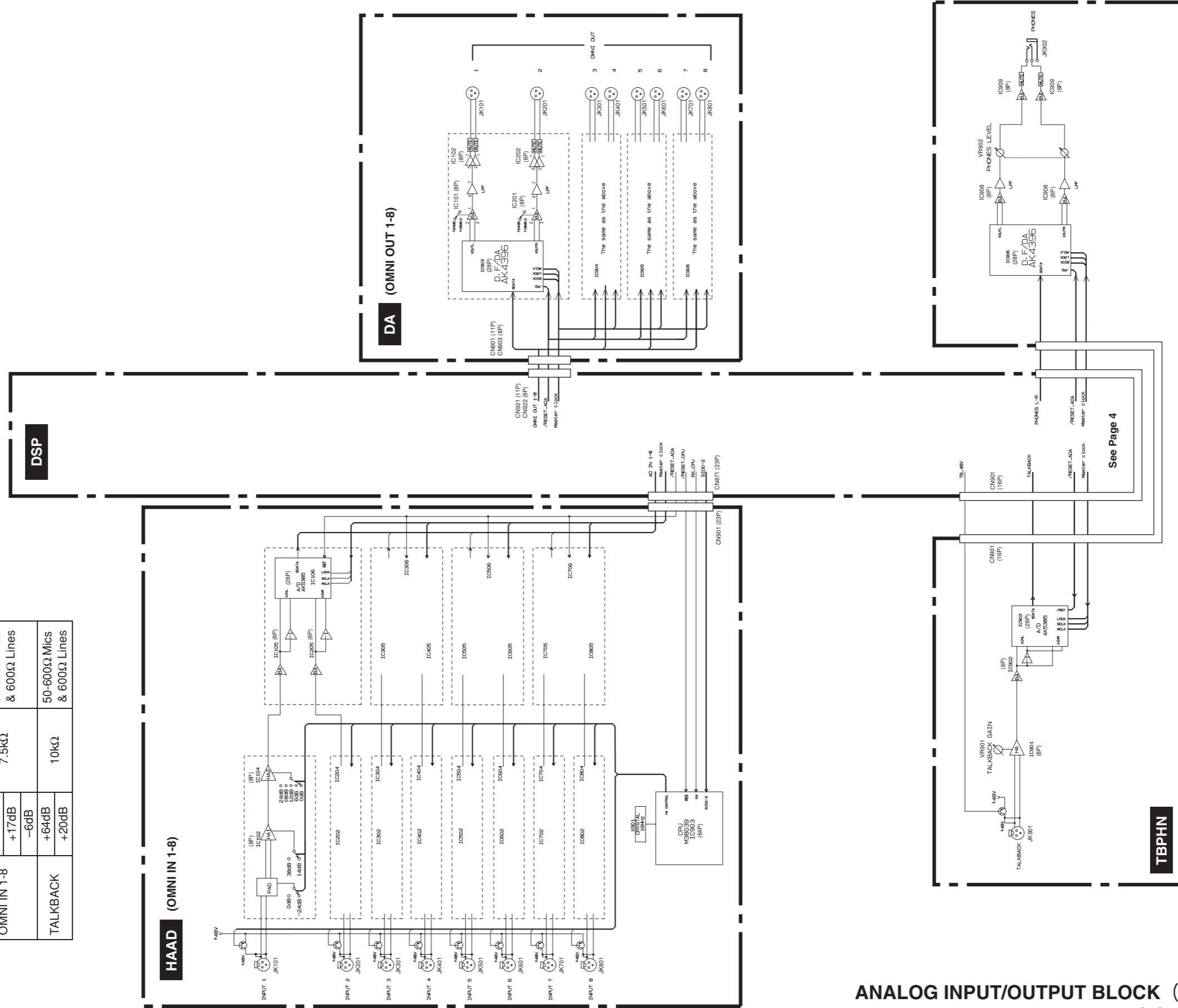


■ BLOCK DIAGRAM 007 (CL5)

CL5

ANALOG INPUT CHARACTERISTICS

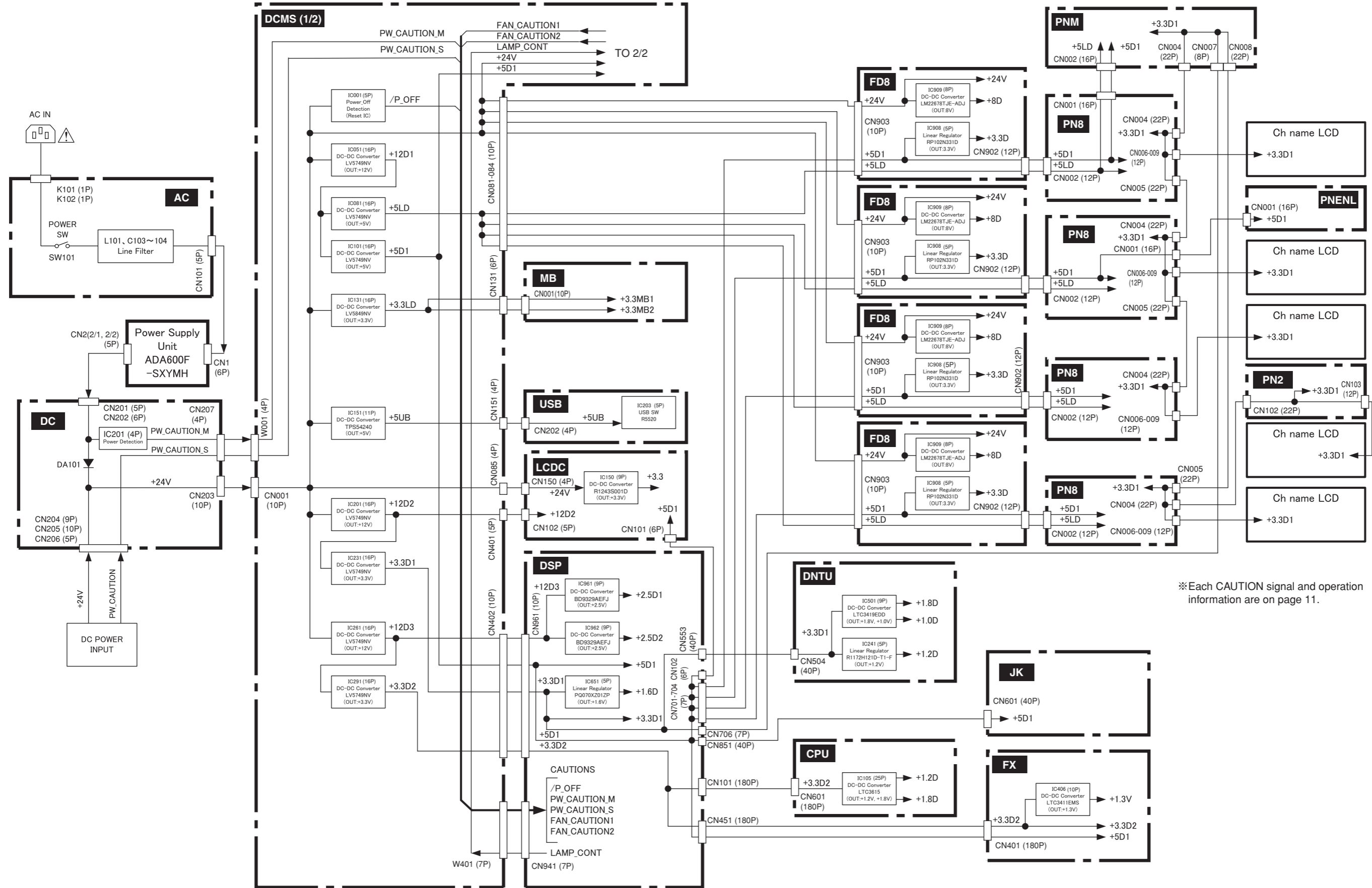
Input Terminals	GAIN	Actual Load Impedance	For Use With Nominal
OMNI IN 1-8	+66dB	7.5kΩ	50-600Ω Mics & 600Ω Lines
	+18dB		
	+17dB		
TALKBACK	-6dB	10kΩ	50-600Ω Mics & 600Ω Lines
	+64dB		
	+20dB		



ANALOG INPUT/OUTPUT BLOCK (アナログ入出力ブロック)
 ■ BLOCK DIAGRAM 007 (CL5)

■ BLOCK DIAGRAM 008 (CL5)

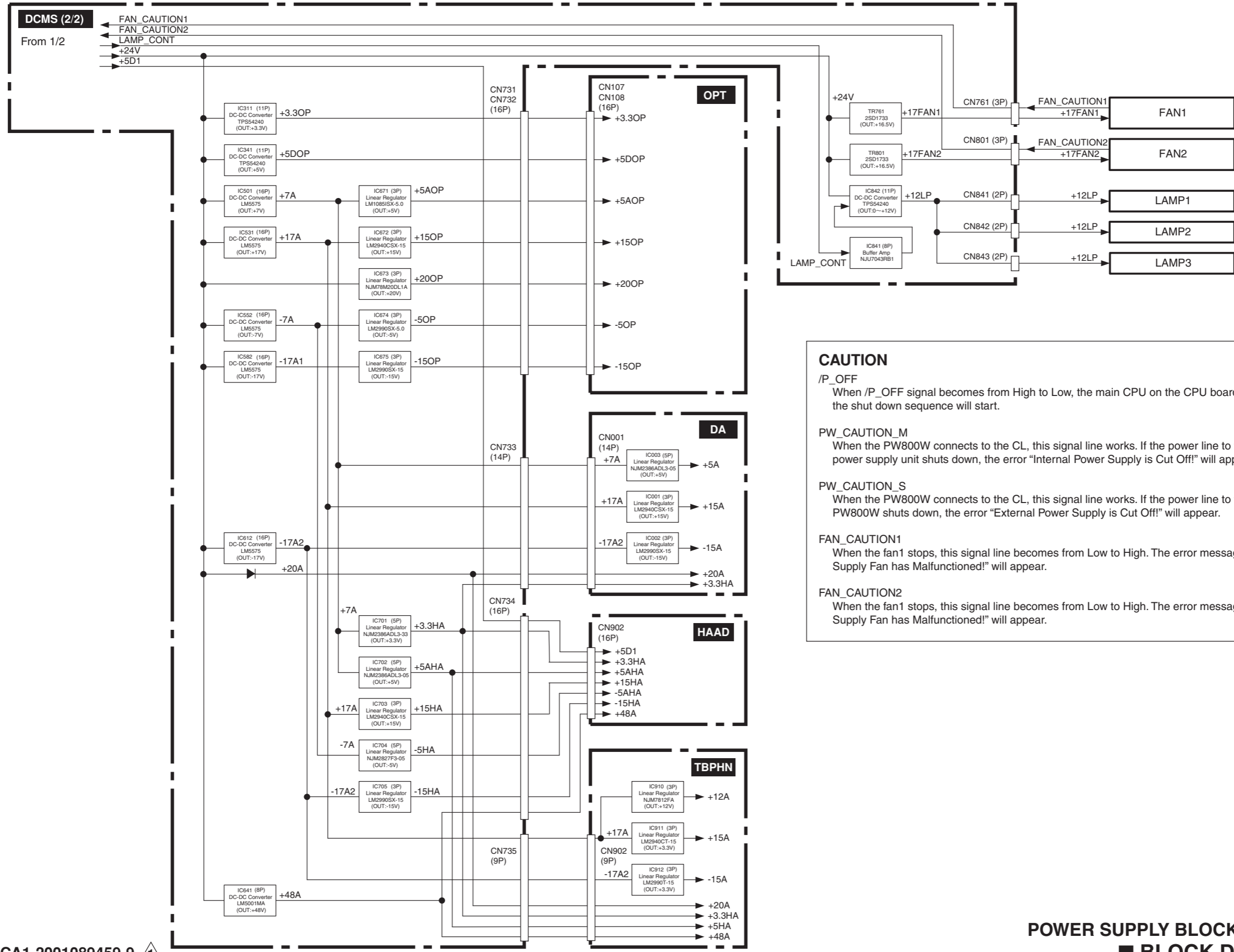
CL5



※Each CAUTION signal and operation information are on page 11.

BLOCK DIAGRAM 009 (CL5)

CL5



CAUTION
 /P_OFF
 When /P_OFF signal becomes from High to Low, the main CPU on the CPU board detects and the shut down sequence will start.

PW_CAUTION_M
 When the PW800W connects to the CL, this signal line works. If the power line to the internal power supply unit shuts down, the error "Internal Power Supply is Cut Off!" will appear.

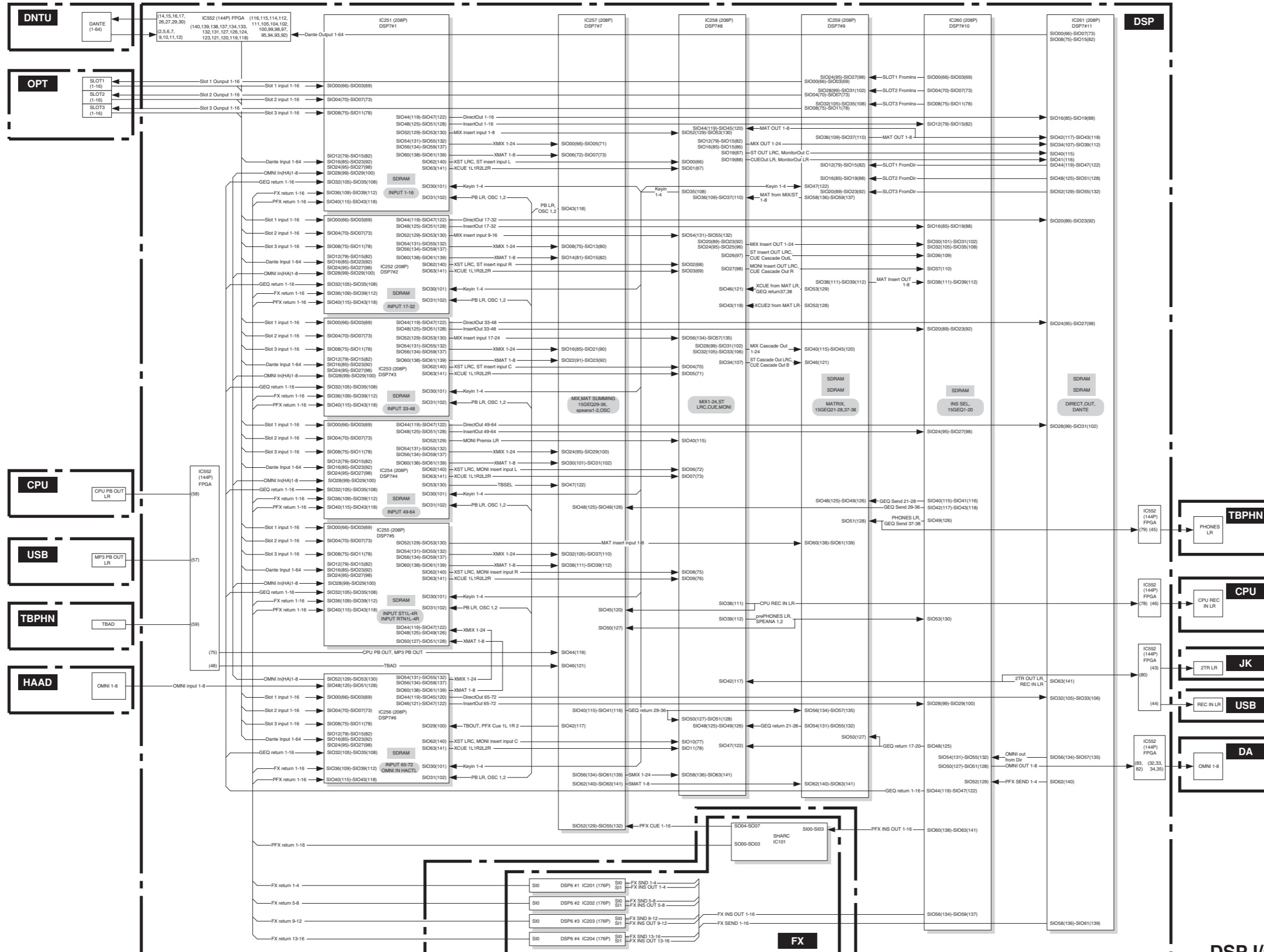
PW_CAUTION_S
 When the PW800W connects to the CL, this signal line works. If the power line to the PW800W shuts down, the error "External Power Supply is Cut Off!" will appear.

FAN_CAUTION1
 When the fan1 stops, this signal line becomes from Low to High. The error message "Power Supply Fan has Malfunctioned!" will appear.

FAN_CAUTION2
 When the fan2 stops, this signal line becomes from Low to High. The error message "Power Supply Fan has Malfunctioned!" will appear.

BLOCK DIAGRAM 010 (CL5)

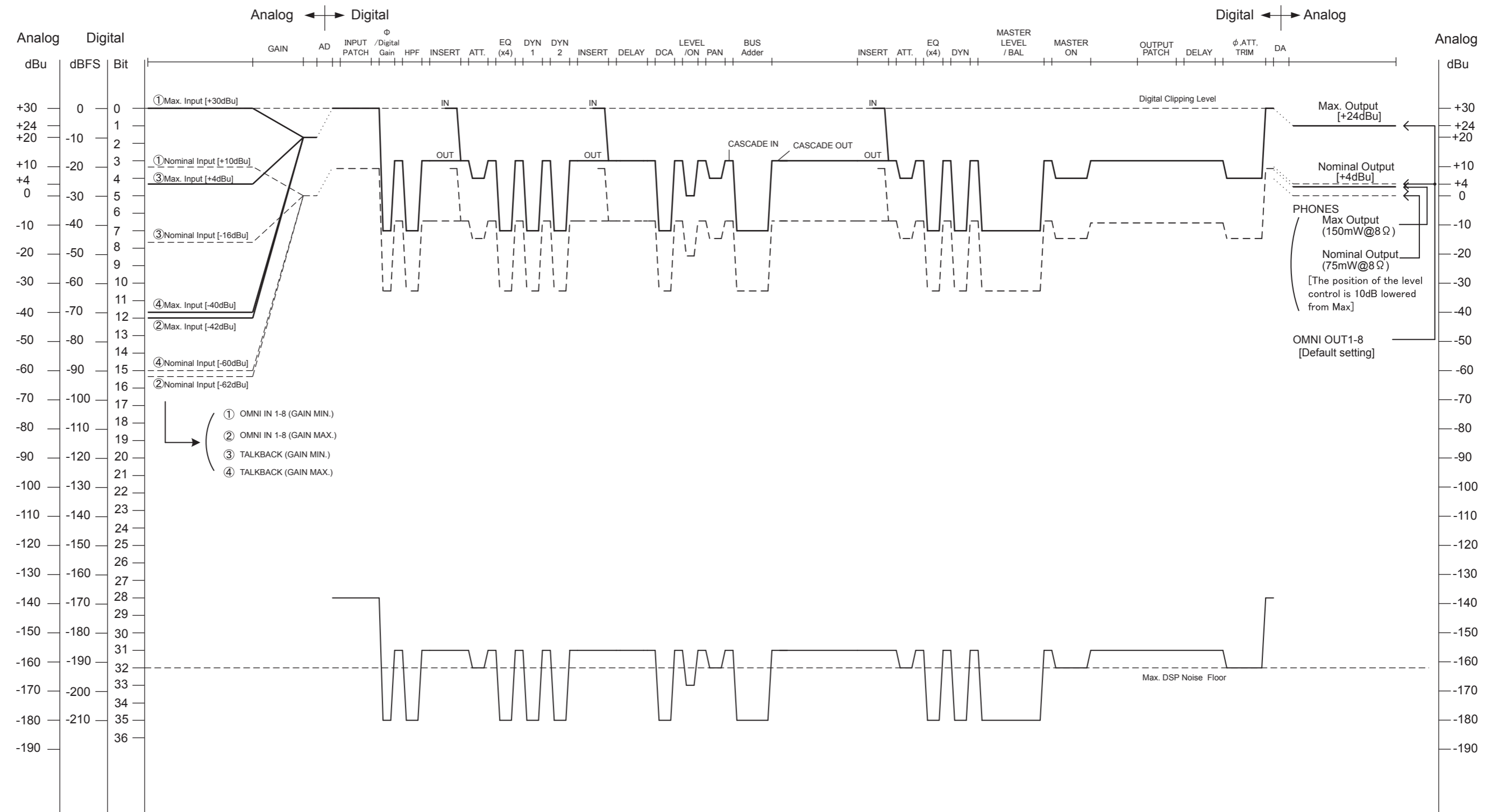
CL5



DSP I/O PORT DIAGRAM
BLOCK DIAGRAM 010 (CL5)

■ BLOCK DIAGRAM 011 (CL5)

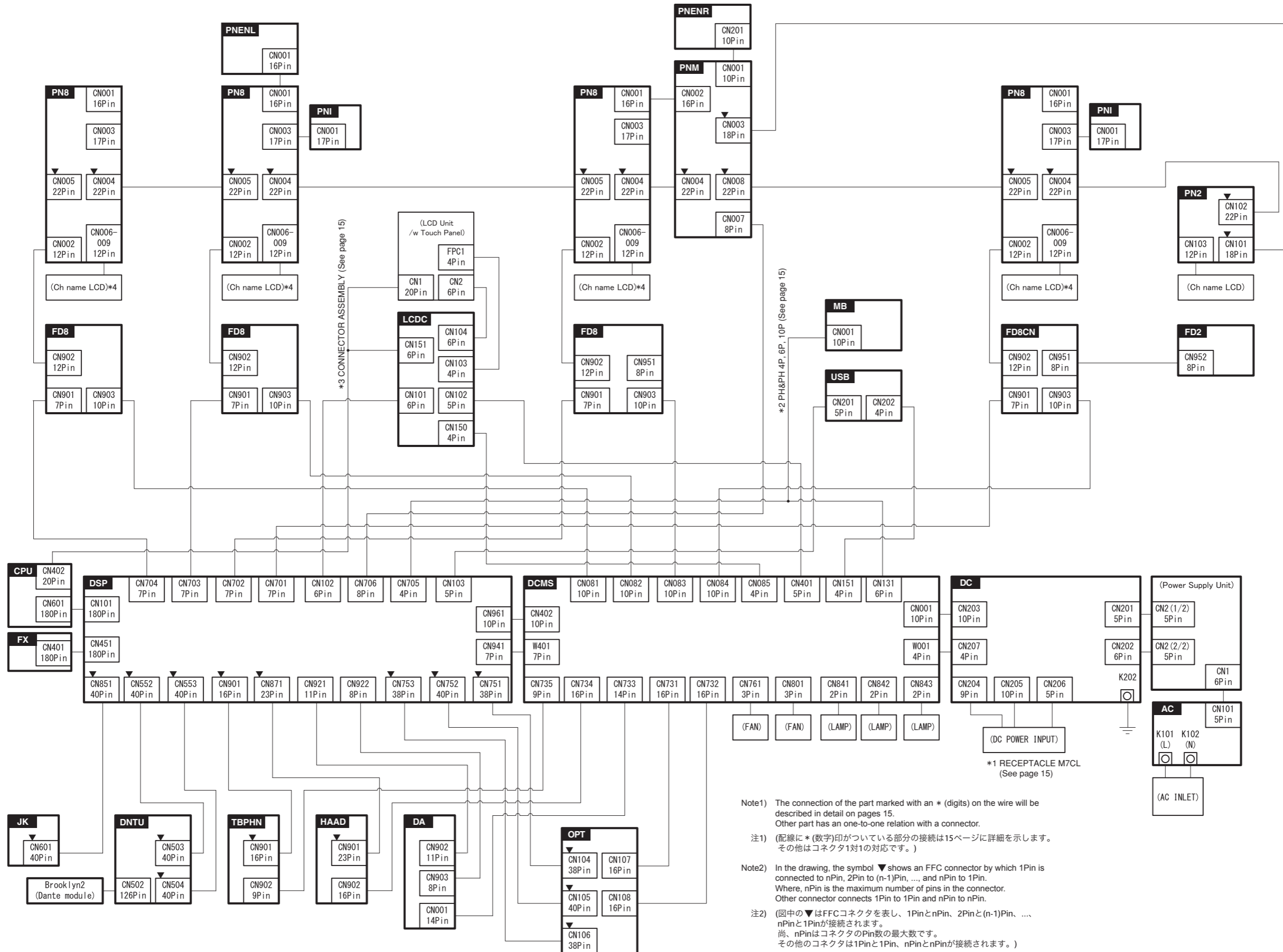
CL5



[0dBu = 0.775Vrms]
[0dBFS = Full Scale]

OVERALL CONNECTOR CIRCUIT DIAGRAM 001 (CL5)

CL5



OVERALL CONNECTOR CIRCUIT DIAGRAM 002 (CL5)

CL5

* 1 RECEPTACLE M7CL (WE64290)

Circuit Board name (シート名)	CN number (CN 番号)	PIN number (ピン番号)
DC POWER INPUT		1
		2
		3
		4
		5
		6
		7
		8
		9
		10
		11
		12
		13
		14
		15
		16
		17
		18
		19
		20
		21
		22
		23
		24

Circuit Board name (シート名)	CN number (CN 番号)	PIN number (ピン番号)
DC	CN204	1
		2
		3
		4
		5
		6
		7
		8
		9
		10
	CN205	1
		2
		3
		4
		5
		6
		7
		8
		9
		10
	CN206	1
		2
		3
		4
		5

* 2 PH&PH 4P, 6P, 10P (WZ43490)

Circuit Board name (シート名)	CN number (CN 番号)	PIN number (ピン番号)
MB	CN001	1
		2
		3
		4
		5
		6
		7
		8
		9
		10

Circuit Board name (シート名)	CN number (CN 番号)	PIN number (ピン番号)
DSP	CN705	1
		2
		3
		4
DCMS	CN131	1
		2
		3
		4
		5
		6

* 3 CONNECTOR ASSEMBLY (ZC34240) (LCD 束線)

Circuit Board name (シート名)	CN number (CN 番号)	PIN number (ピン番号)
LCD Unit	CN1	1
		2
		3
		4
		5
		6
		7
		8
		9
		10
		11
		12
		13
		14
		15
		16
		17
		18
		19
		20

Circuit Board name (シート名)	CN number (CN 番号)	PIN number (ピン番号)
LCDC	CN151	1
		2
		3
		4
		5
		6

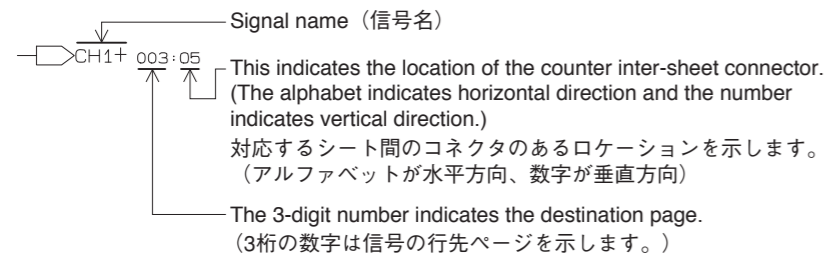
Circuit Board name (シート名)	CN number (CN 番号)	PIN number (ピン番号)
CPU	CN402	3
		2
		5
		6
		7
		8
		9
		10
		11
		12
		13
		14
		15
		16
		17
		18
		19
		20

Note) The pins in the same in the same line are connected to each other.
A pin having no destination for connection is not used.

注) (同一行で同順のピン同士が接続されます。
接続先がないピンは空き端子です。)

Notation for Circuit Diagrams (回路図表記上の注意)

1. How to identify inter-sheet connectors (シート間コネクタの読み方について)



2. Connection of connectors. (コネクタの接続について)

(Example) to DCMS-CN001
<Page 25: O-2>

Page 25 are the page of a circuit diagram.
(Page 25 は回路図のページです。)

O-2 is indicates the location of the counter inter-circuit board connector.
(The alphabet indicates horizontal direction and the number indicates vertical direction.)

O-2 は対応するシート間のコネクタのあるロケーションを示します。
(アルファベットが水平方向、数字が垂直方向)


Note : See parts list for details of circuit board component parts.

注：シートの部品詳細は、パーツリストをご参照ください。

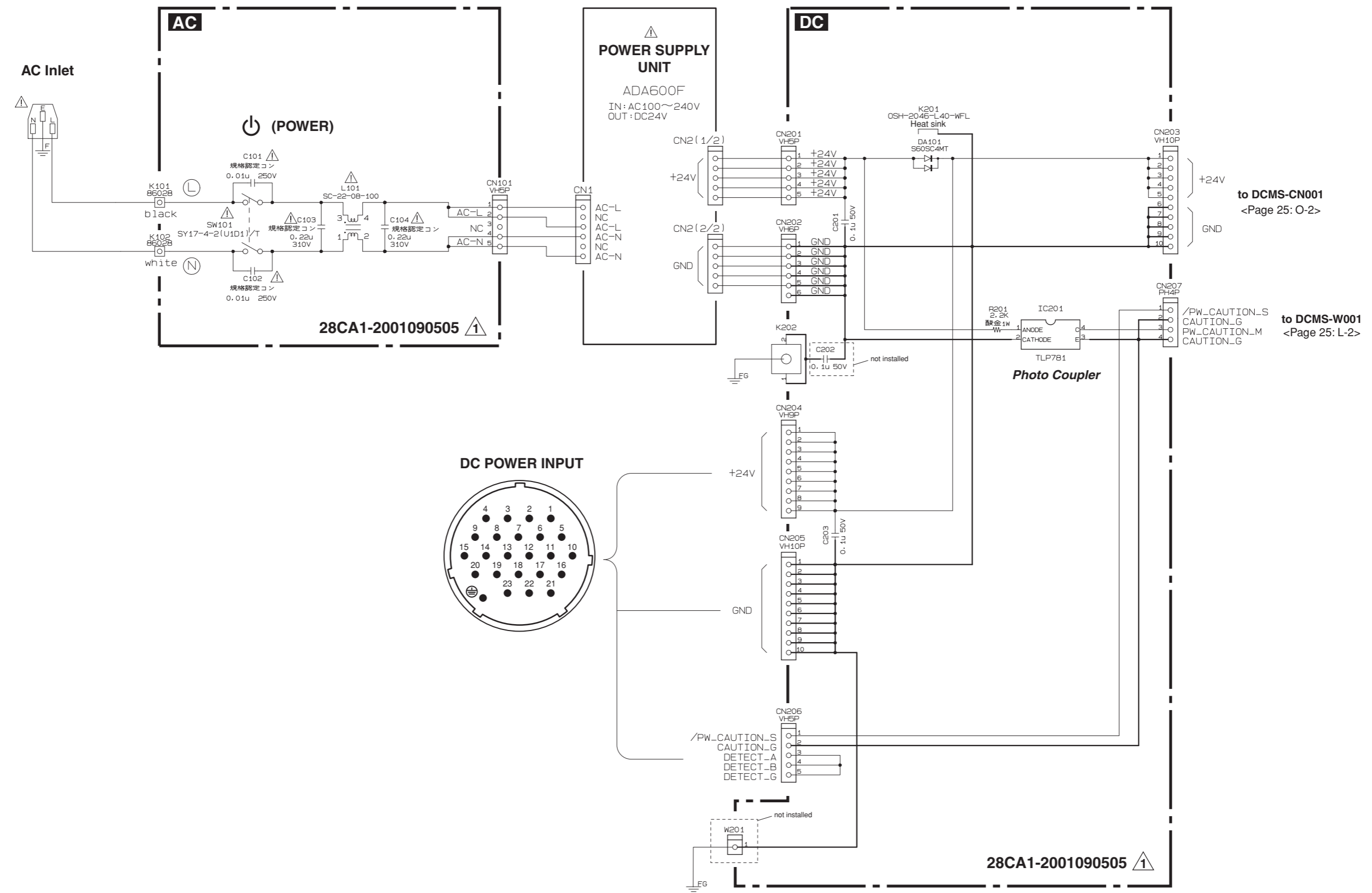
■ WARNING

Components having special characteristics are marked  and must be replaced with parts having specification equal to those originally installed.

■ 安全上の注意

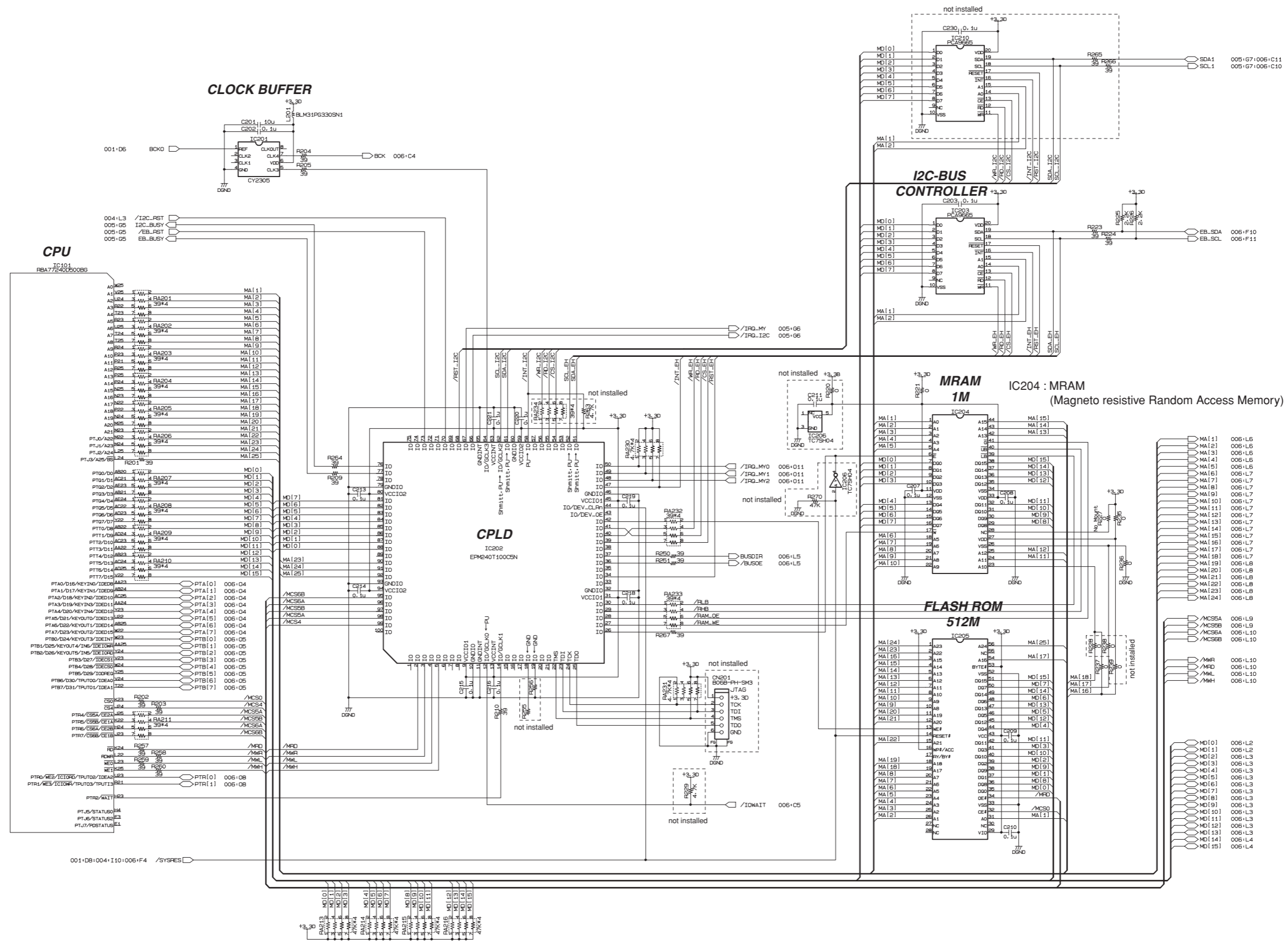
 印の部品は、安全を維持するために重要な部品です。
交換する場合は、安全のために必ず指定の部品をご使用ください。

■ ACCOM (AC, DC) CIRCUIT DIAGRAM (CL5)



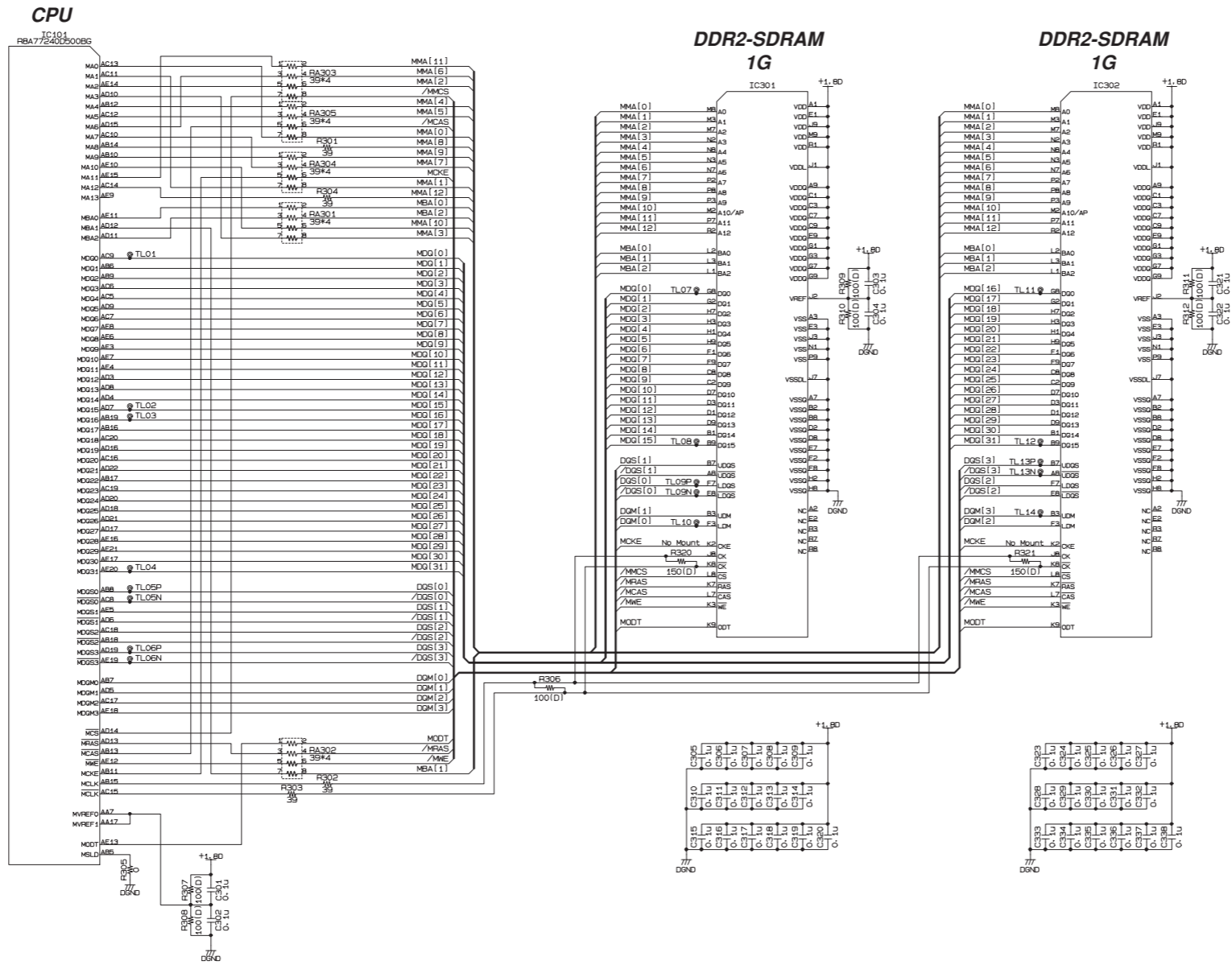
CPU 002 CIRCUIT DIAGRAM (CL5)

CL5



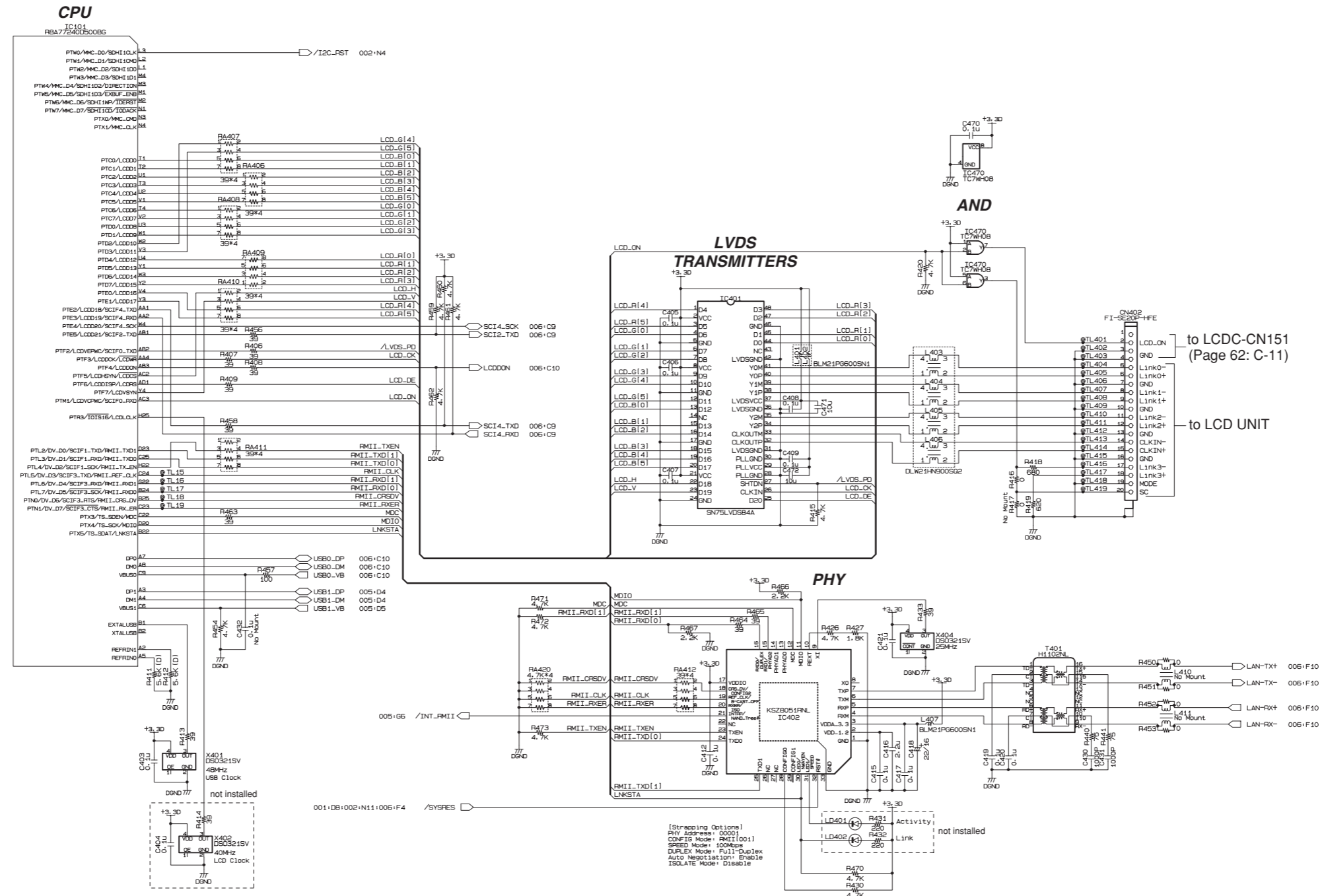
CPU 003 CIRCUIT DIAGRAM (CL5)

CL5



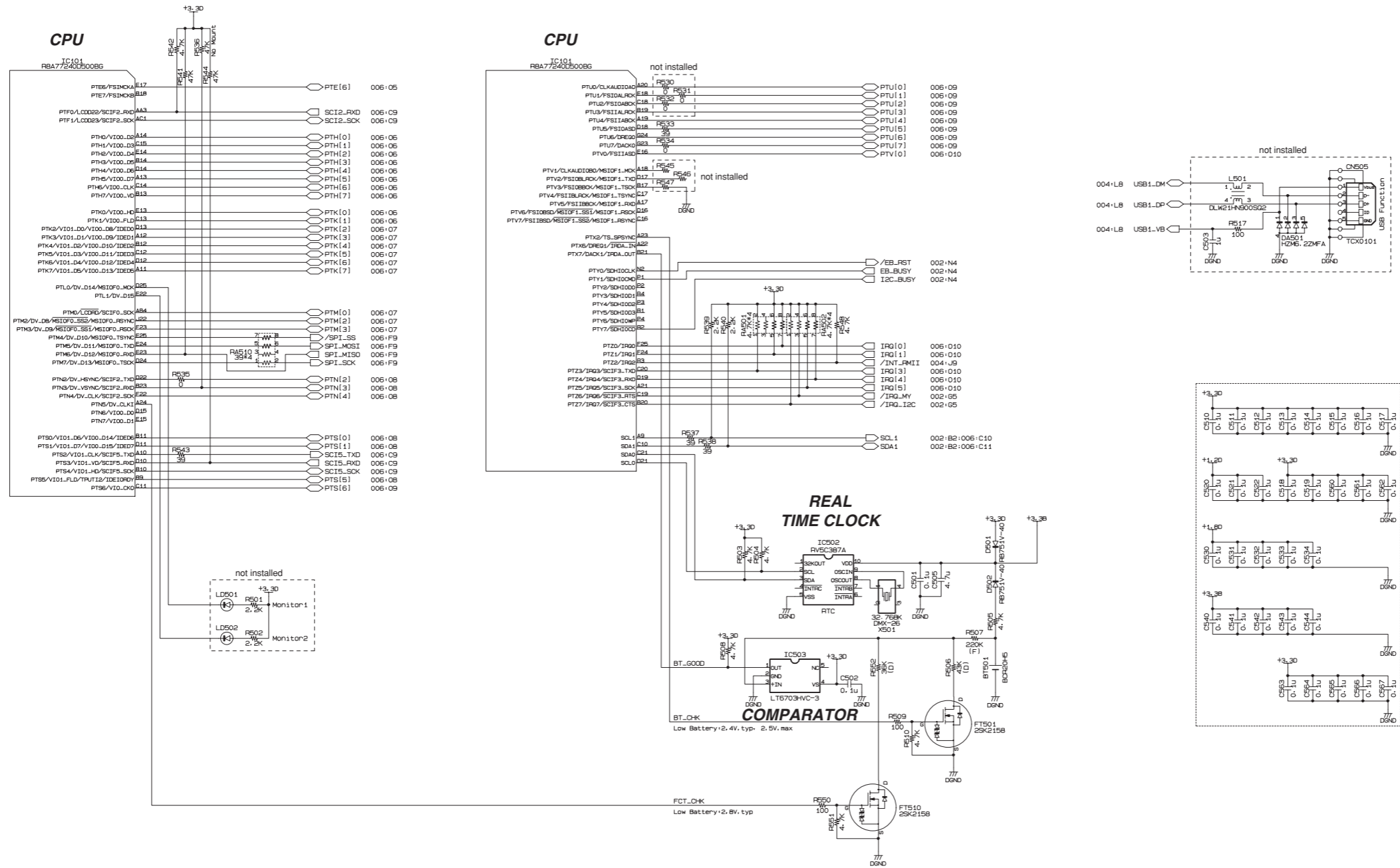
CPU 004 CIRCUIT DIAGRAM (CL5)

CL5



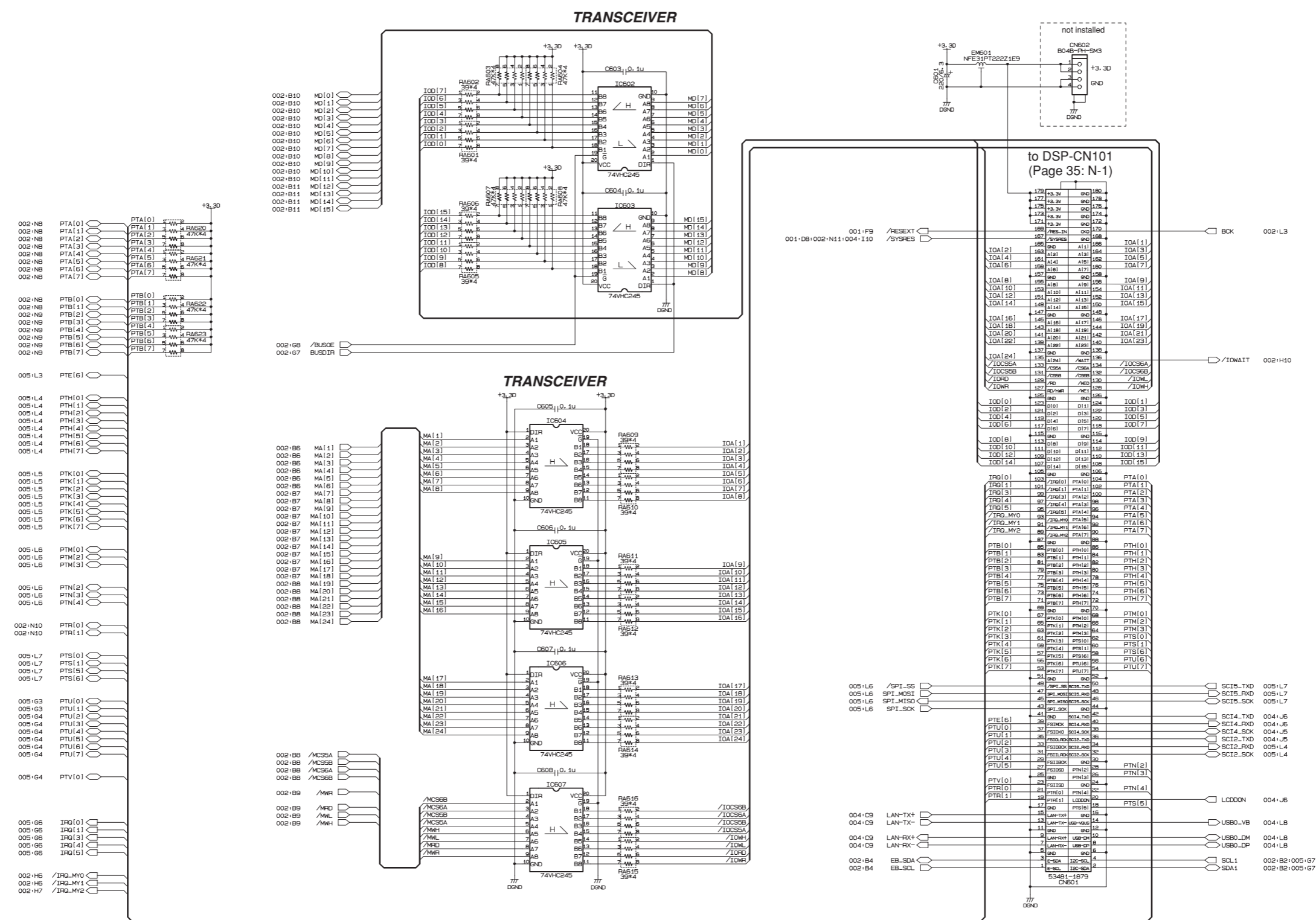
■ CPU 005 CIRCUIT DIAGRAM (CL5)

CL5

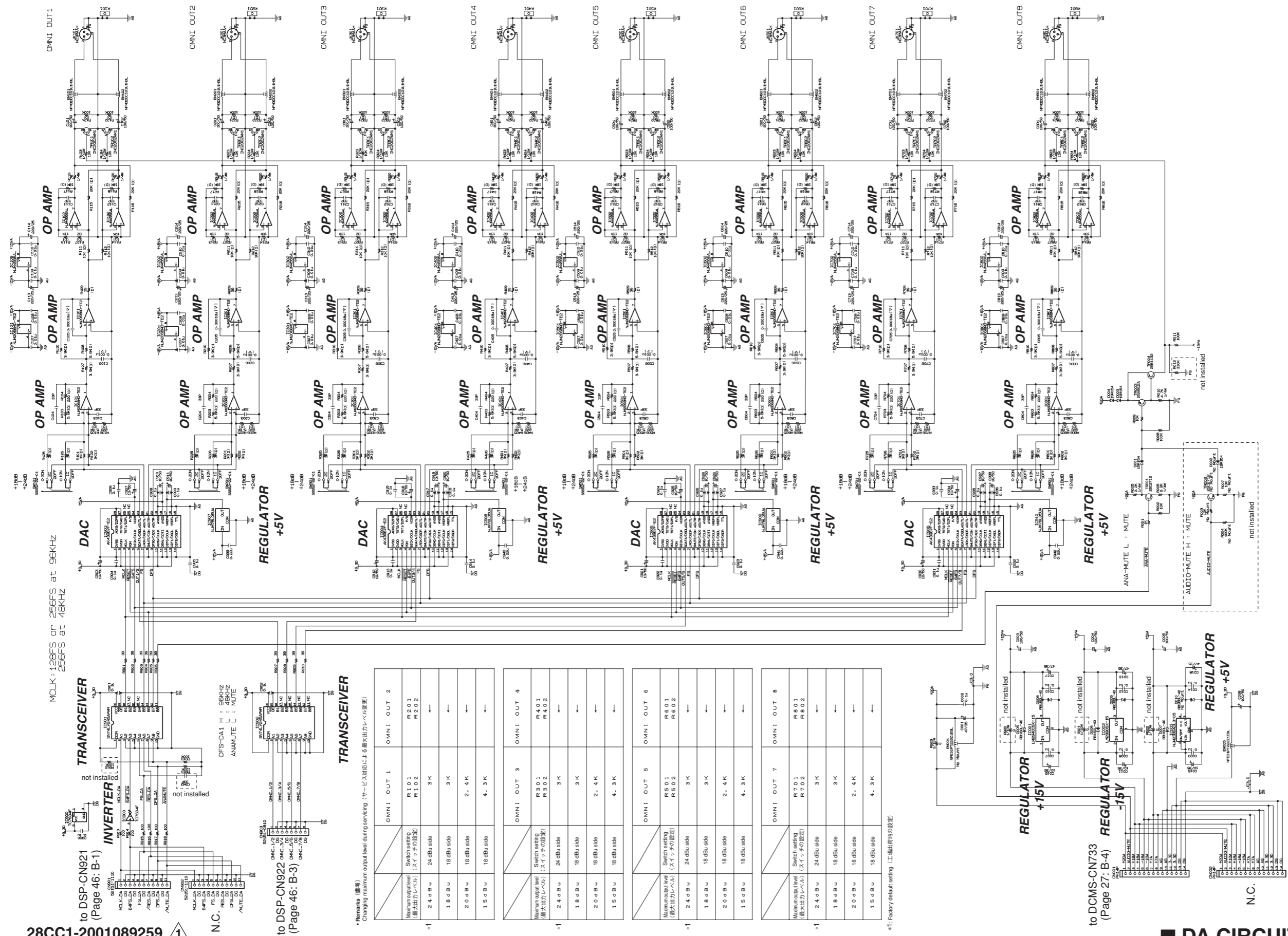


* +3.3B (built-in battery) is exclusively for RTC (Real Time Clock).
 IC204 (MRAM) can store the data without a back-up battery.
 ※+3.3B(内蔵バッテリー)は、RTC(Real Time Clock)の為にあります。
 IC204(MRAM)は、バックアップバッテリーなしでデータを保持できます。

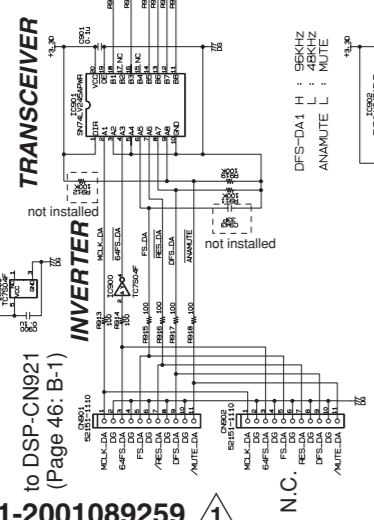
CPU 006 CIRCUIT DIAGRAM (CL5)



DA CIRCUIT DIAGRAM (CL5)



MCLK : 1.28FS or 256FS at 96KHZ
256FS at 48KHZ



TRANSCEIVER
*Remarks (備考)
Changing maximum output level during servicing (サービスタ時に最大出力レベルを変更)

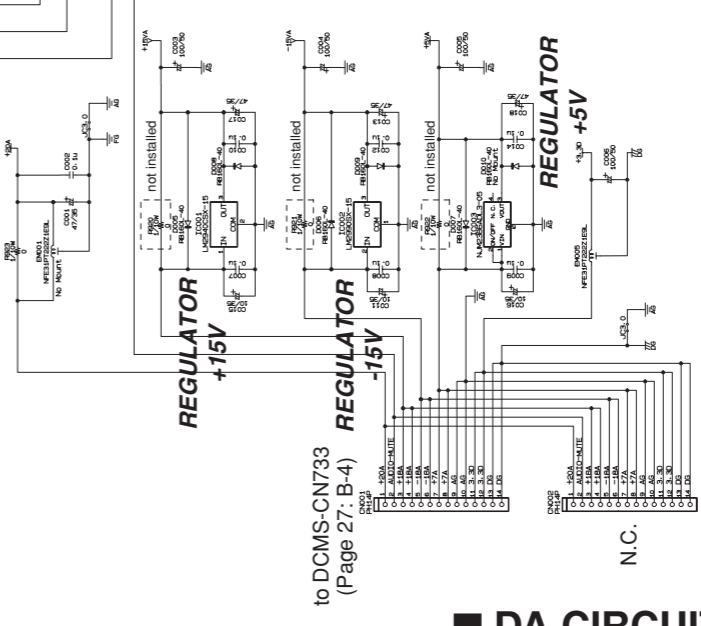
OMNI OUT 1	OMNI OUT 2
Maximum output level (最大出力レベル) スイッチの設定 (スイッチの設定)	R 1 0 1 R 2 0 1 R 2 0 2
*1 2.4 dBu 24 dBu side	←
1.8 dBu 18 dBu side	←
2.0 dBu 18 dBu side	←
1.5 dBu 18 dBu side	←

OMNI OUT 3	OMNI OUT 4
Maximum output level (最大出力レベル) スイッチの設定 (スイッチの設定)	R 3 0 1 R 4 0 1 R 4 0 2
*1 2.4 dBu 24 dBu side	←
1.8 dBu 18 dBu side	←
2.0 dBu 18 dBu side	←
1.5 dBu 18 dBu side	←

OMNI OUT 5	OMNI OUT 6
Maximum output level (最大出力レベル) スイッチの設定 (スイッチの設定)	R 5 0 1 R 6 0 1 R 6 0 2
*1 2.4 dBu 24 dBu side	←
1.8 dBu 18 dBu side	←
2.0 dBu 18 dBu side	←
1.5 dBu 18 dBu side	←

OMNI OUT 7	OMNI OUT 8
Maximum output level (最大出力レベル) スイッチの設定 (スイッチの設定)	R 7 0 1 R 8 0 1 R 8 0 2
*1 2.4 dBu 24 dBu side	←
1.8 dBu 18 dBu side	←
2.0 dBu 18 dBu side	←
1.5 dBu 18 dBu side	←

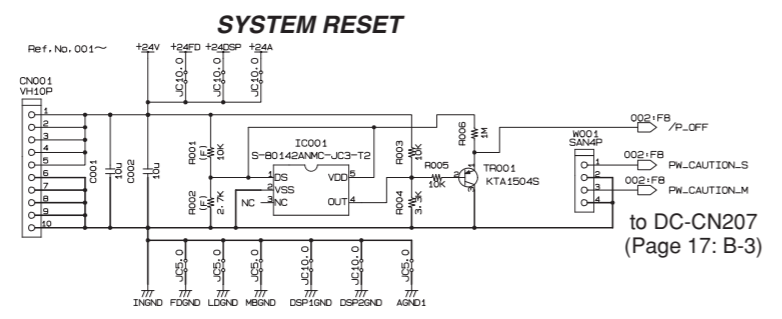
*1: Factory default setting (工場出荷時の設定)



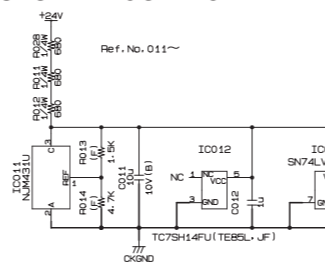
1
2
3
4
5
6
7
8
9
10
11
12
13
14
15
16
17

DCMS 001 CIRCUIT DIAGRAM (CL5)

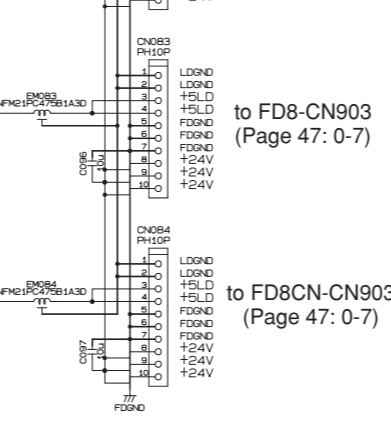
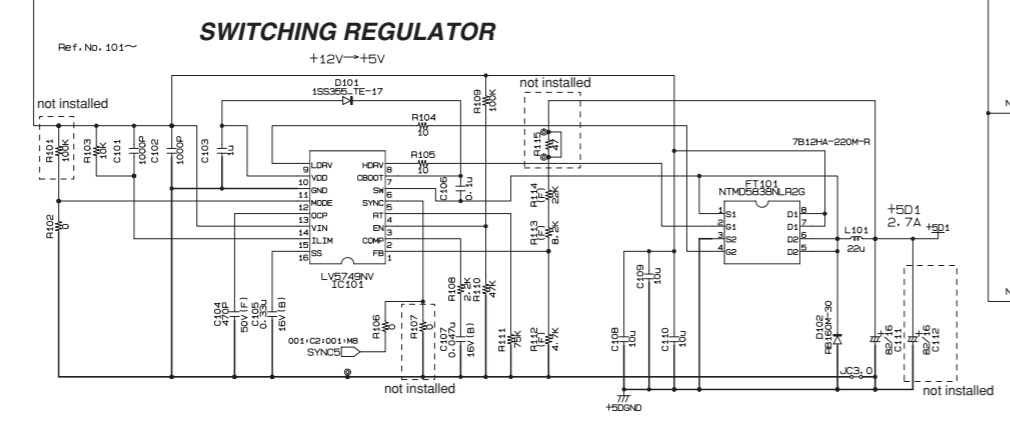
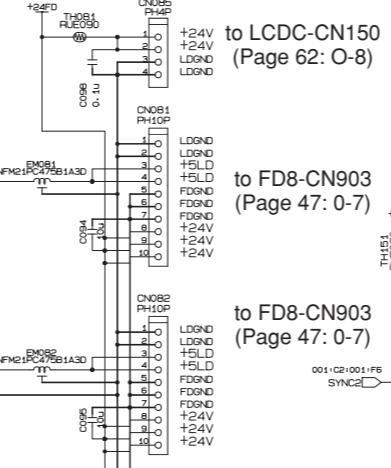
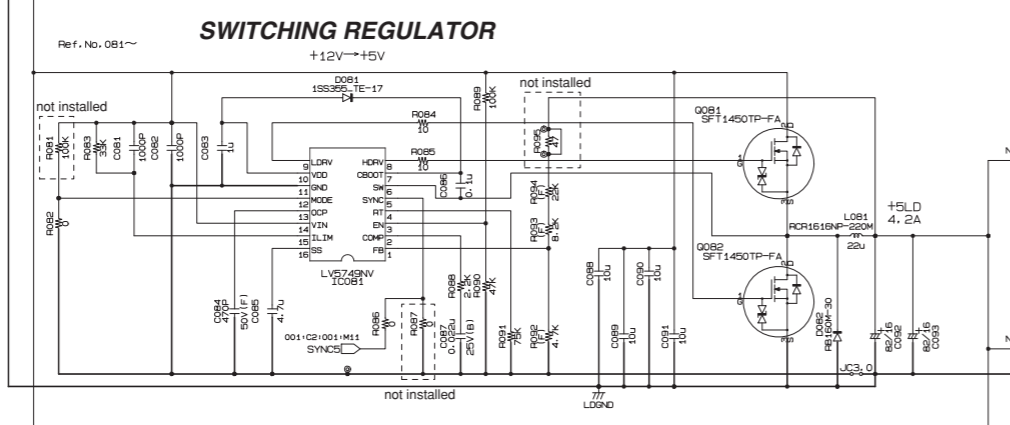
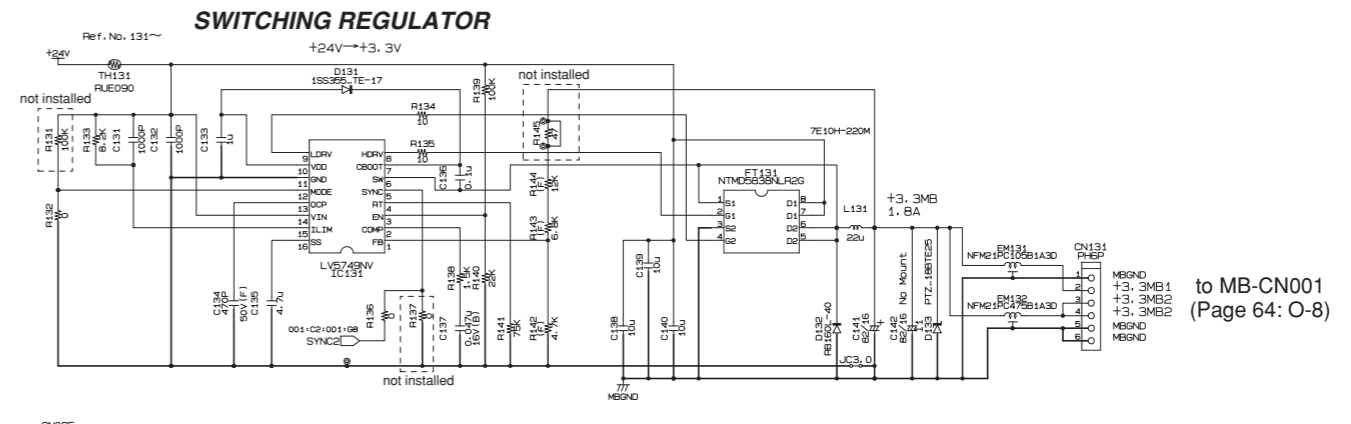
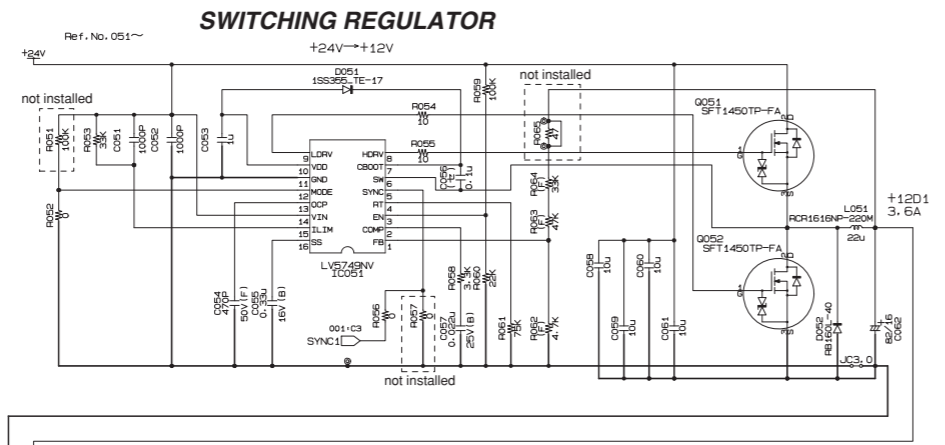
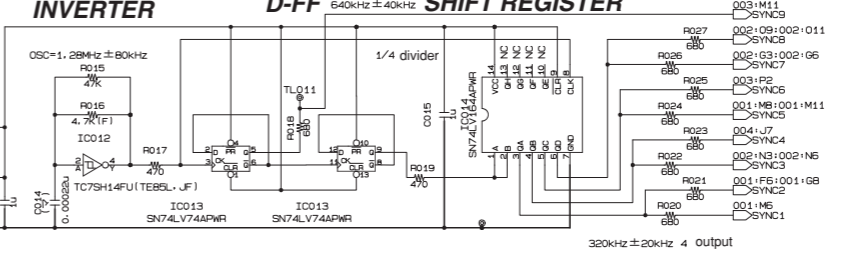
to DC-CN203
(Page 17: B-2)



VARIABLE SHUNT REGULATOR



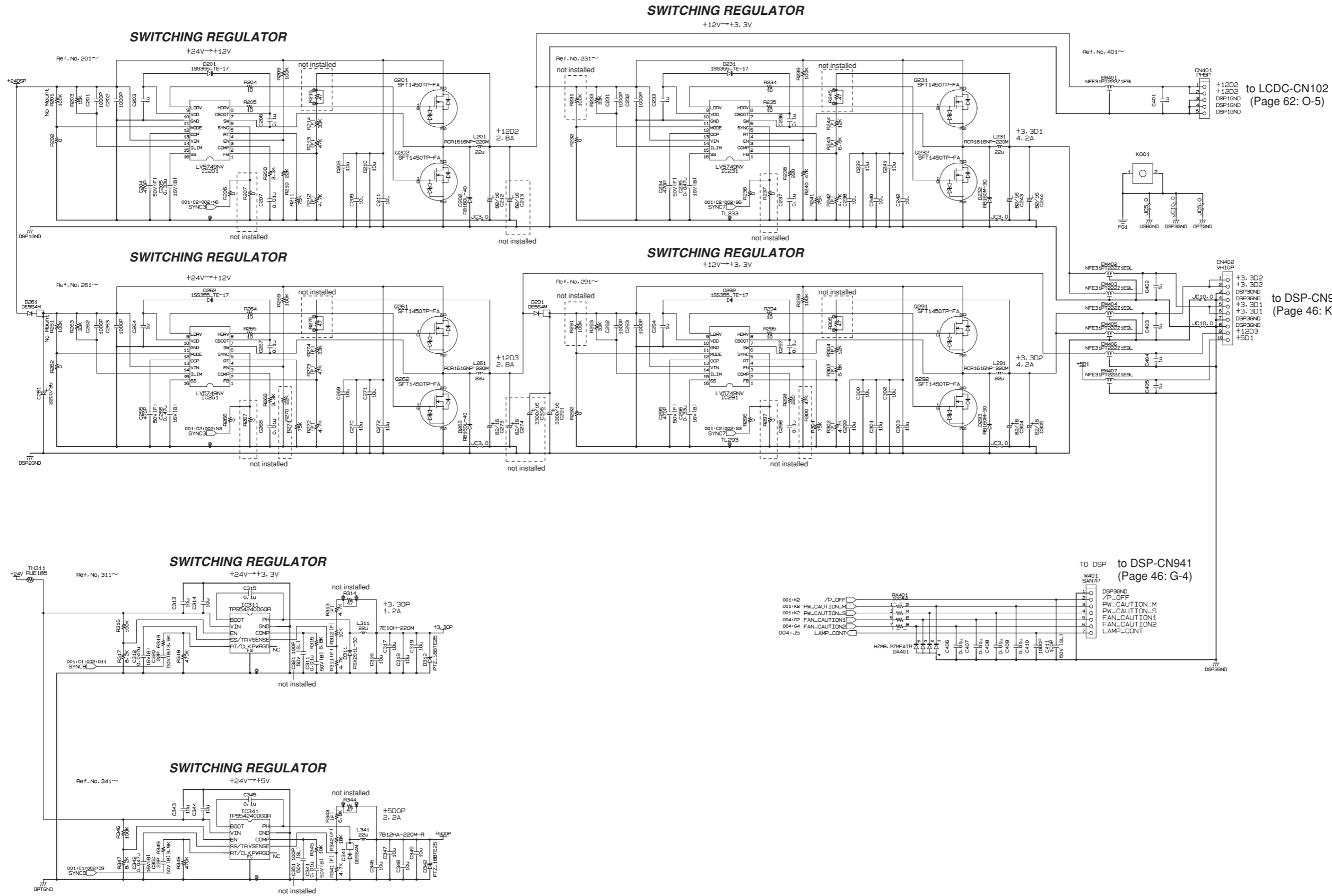
INVERTER D-FF SHIFT REGISTER



POWER DETECT, CLOCK GENERATOR, DC-DC CONVERTER
DCMS 001 CIRCUIT DIAGRAM (CL5)

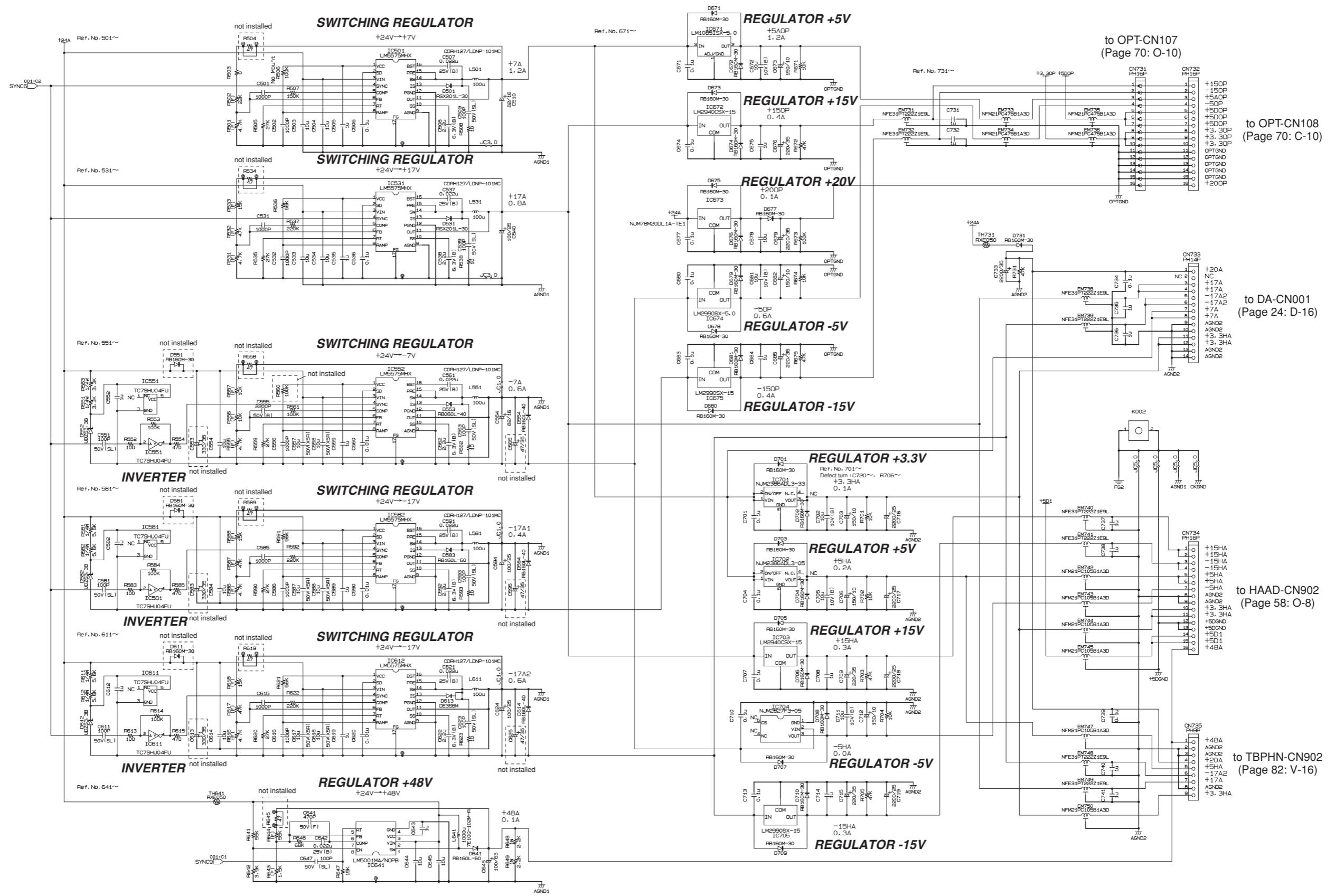
DCMS 002 CIRCUIT DIAGRAM (CL5)

1
2
3
4
5
6
7
8
9
10
11
12



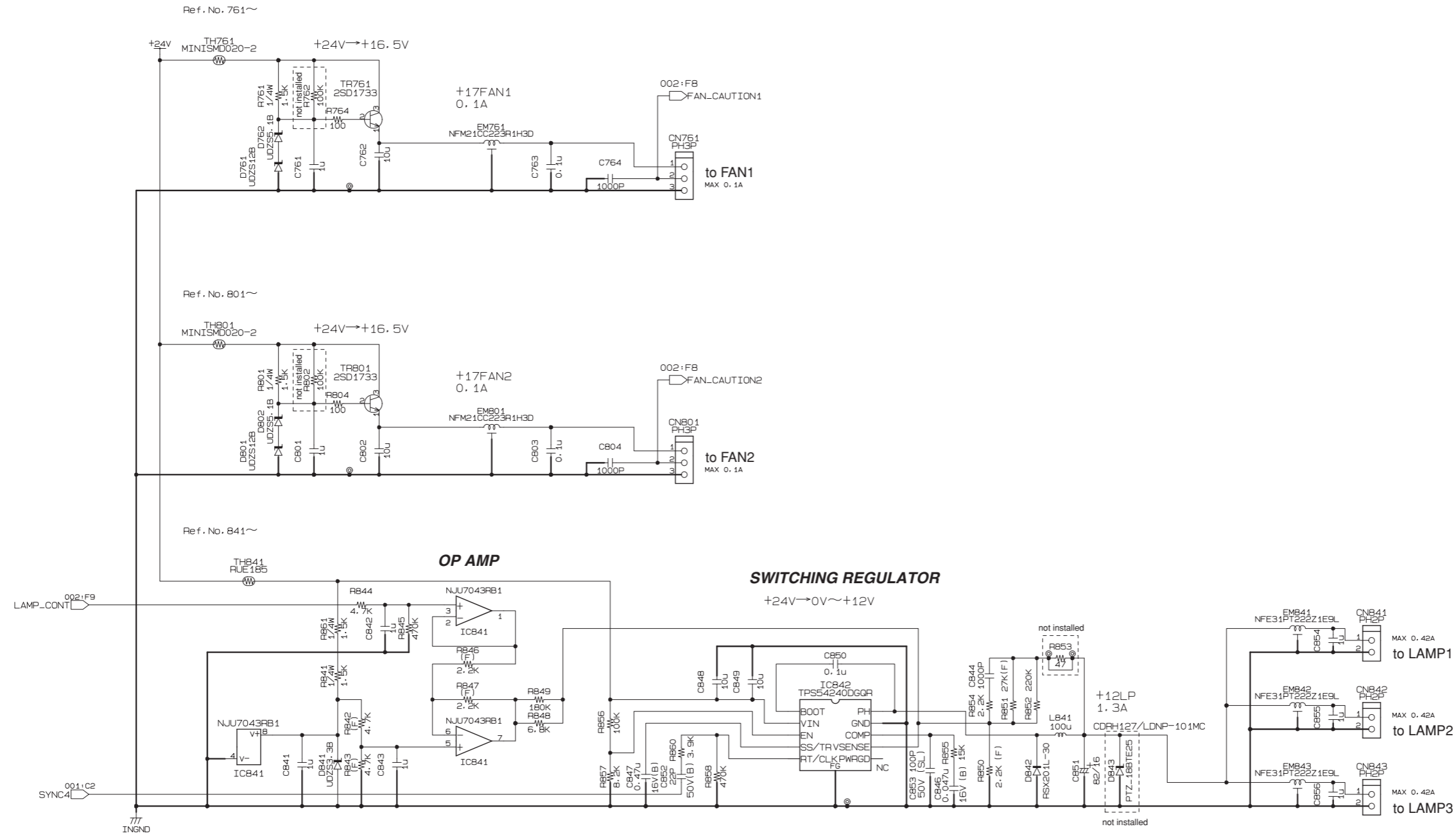
DCMS 003 CIRCUIT DIAGRAM (CL5)

CL5



DCMS 004 CIRCUIT DIAGRAM (CL5)

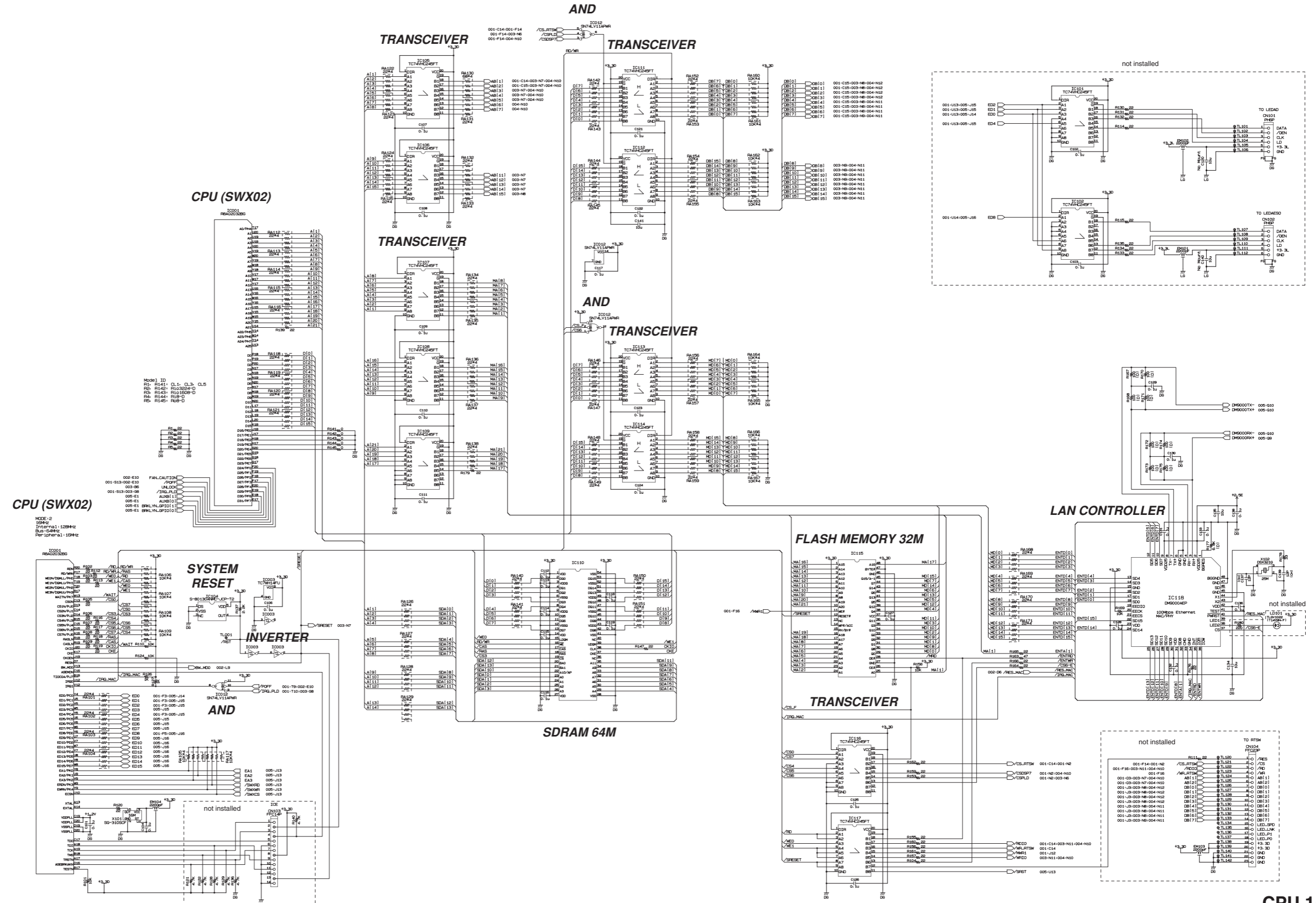
CL5



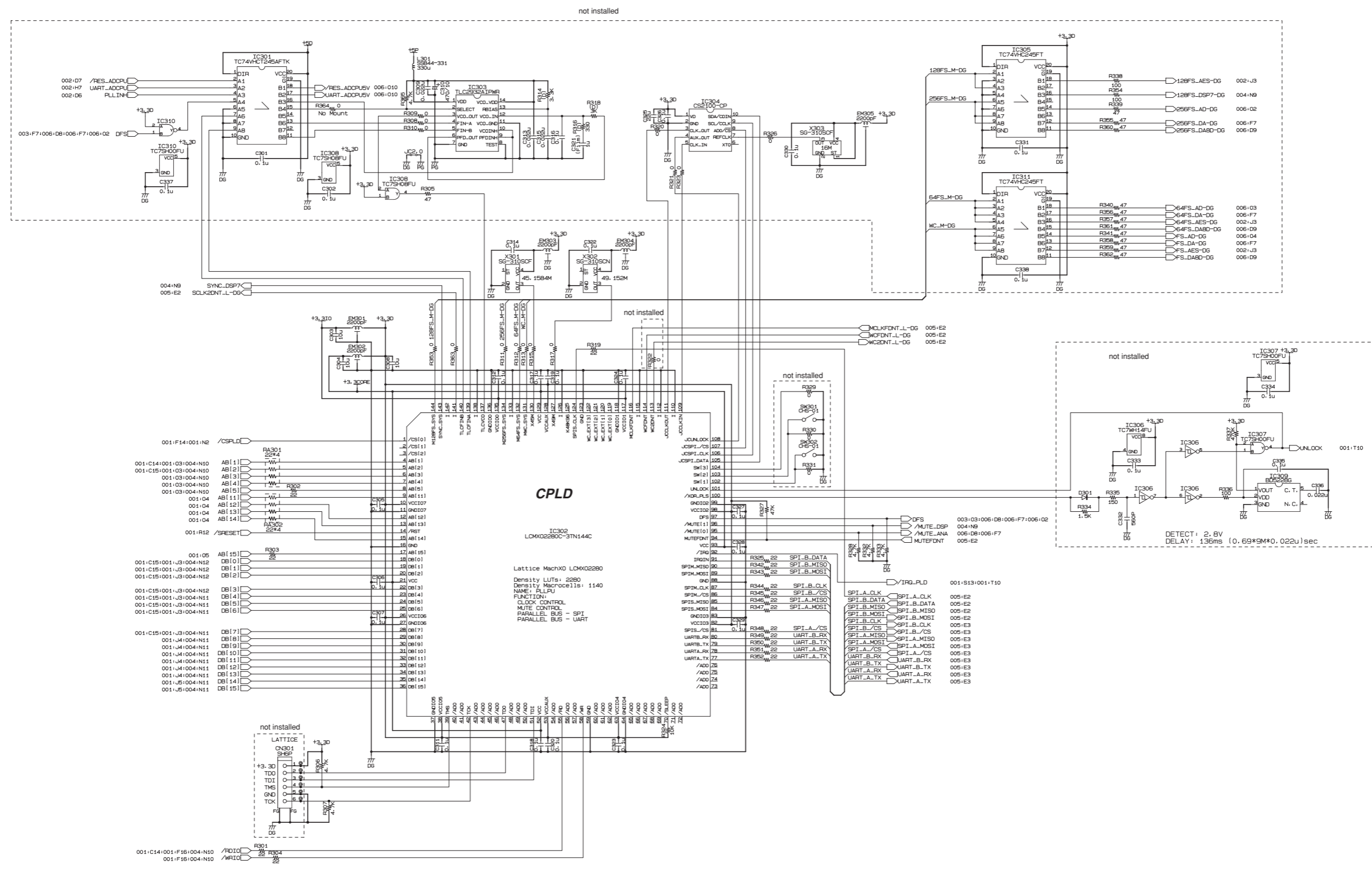
LINEAR REGULATOR, DC-DC CONVERTER
DCMS 004 CIRCUIT DIAGRAM (CL5)

DNTSB (DNTU) 001 CIRCUIT DIAGRAM (CL5)

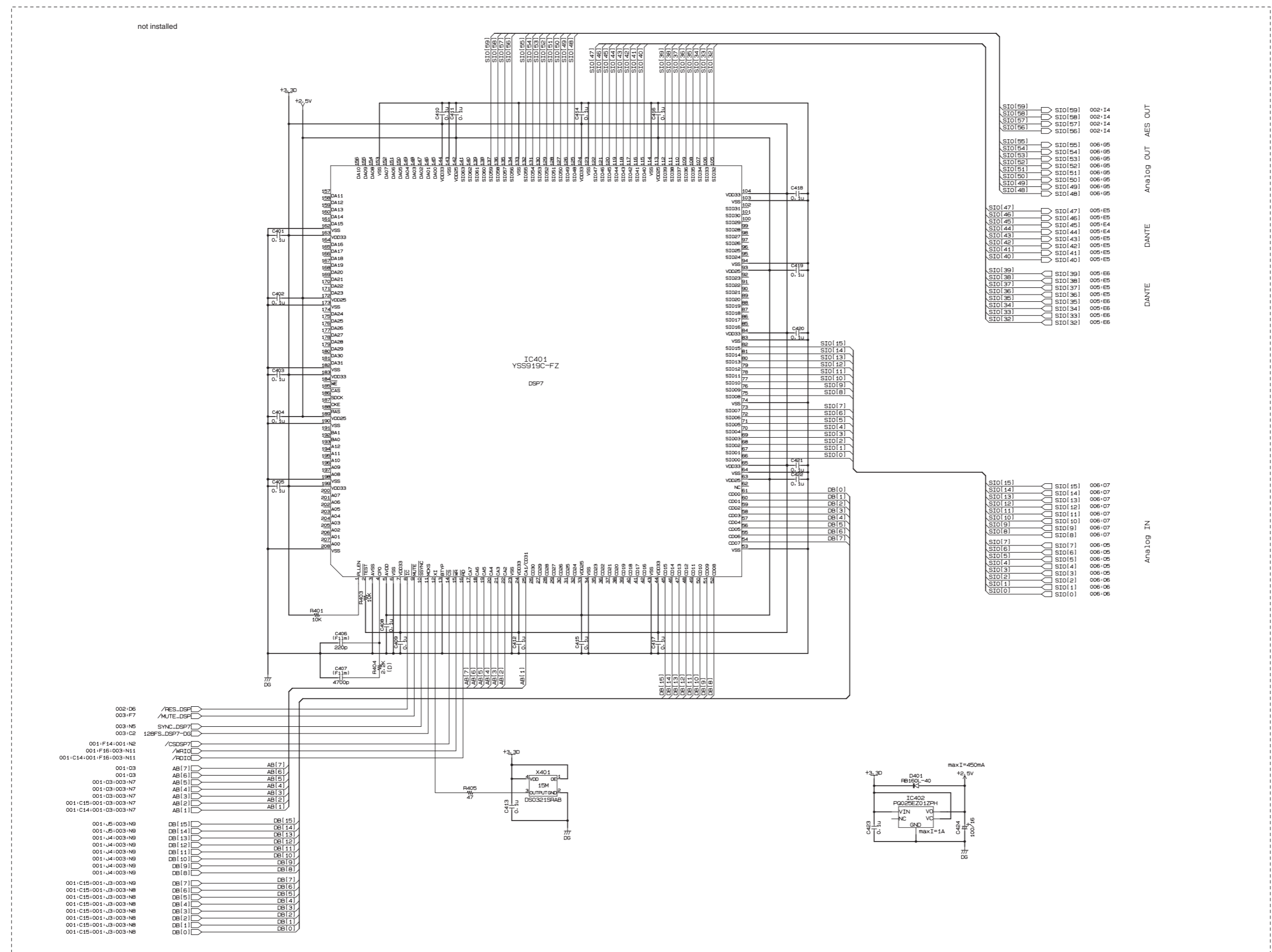
CL5



DNTSB (DNTU) 003 CIRCUIT DIAGRAM (CL5)



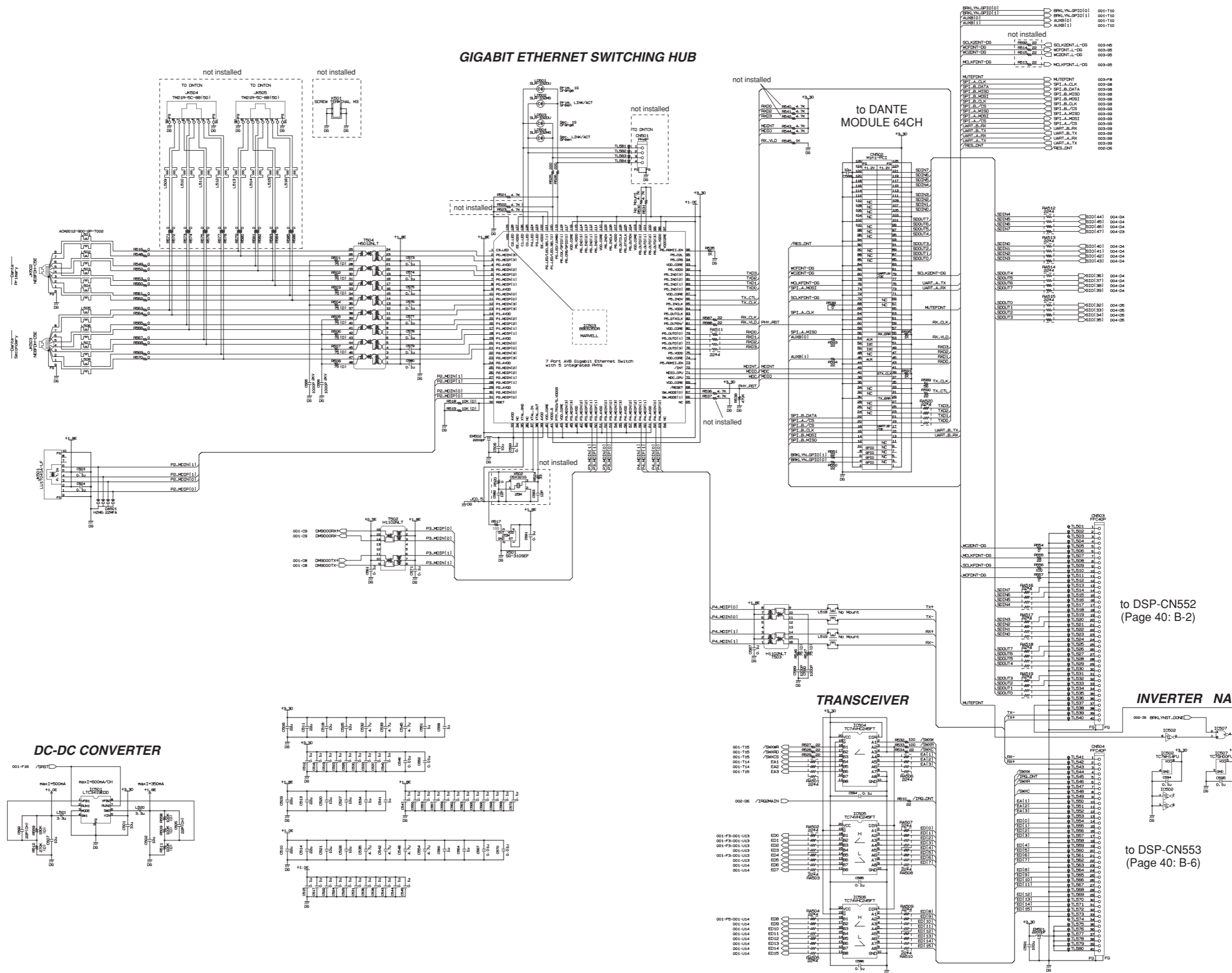
DNTSB (DNTU) 004 CIRCUIT DIAGRAM (CL5)



1
2
3
4
5
6
7
8
9
10
11
12

DNTSB (DNTU) 005 CIRCUIT DIAGRAM (CL5)

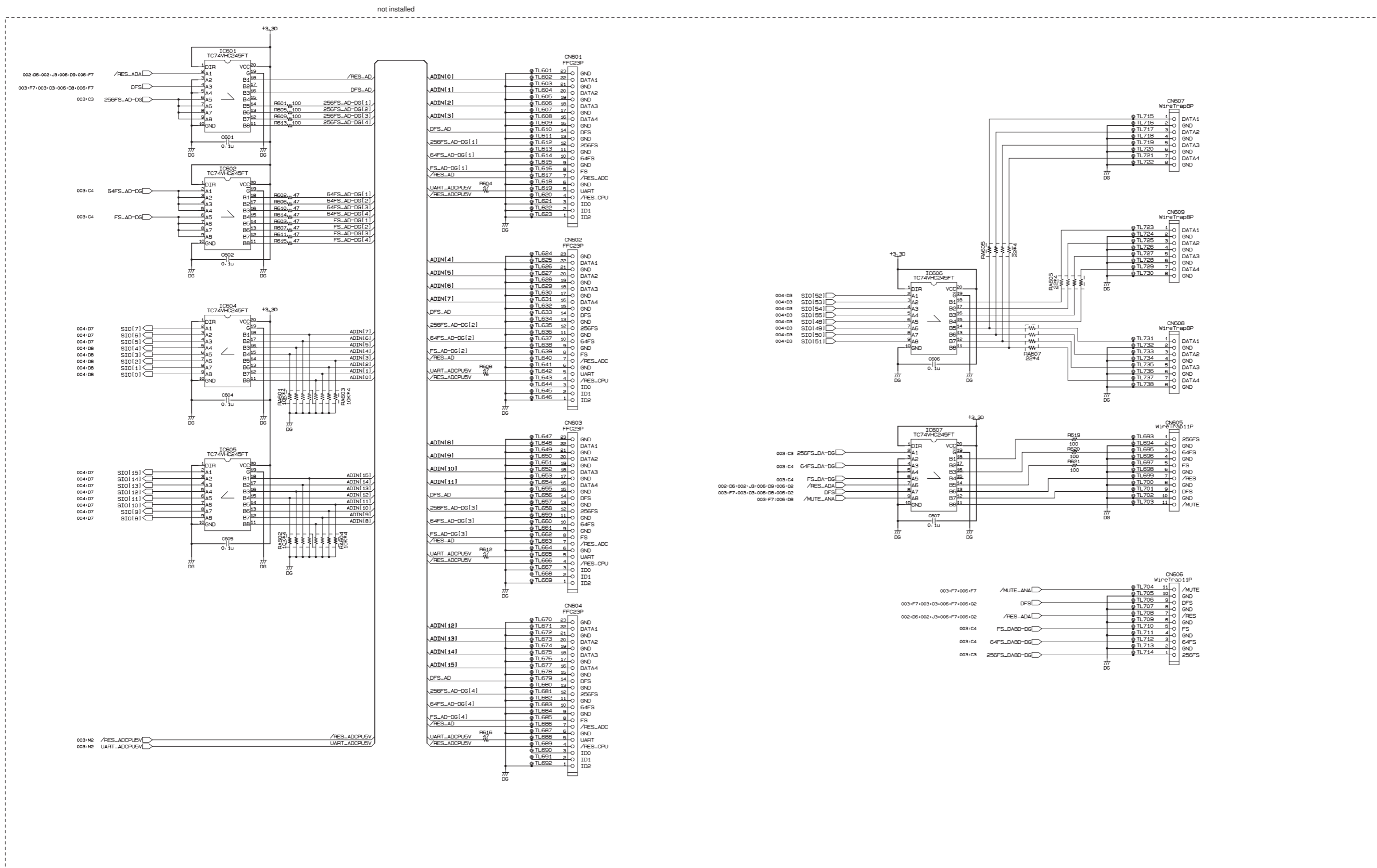
CL5



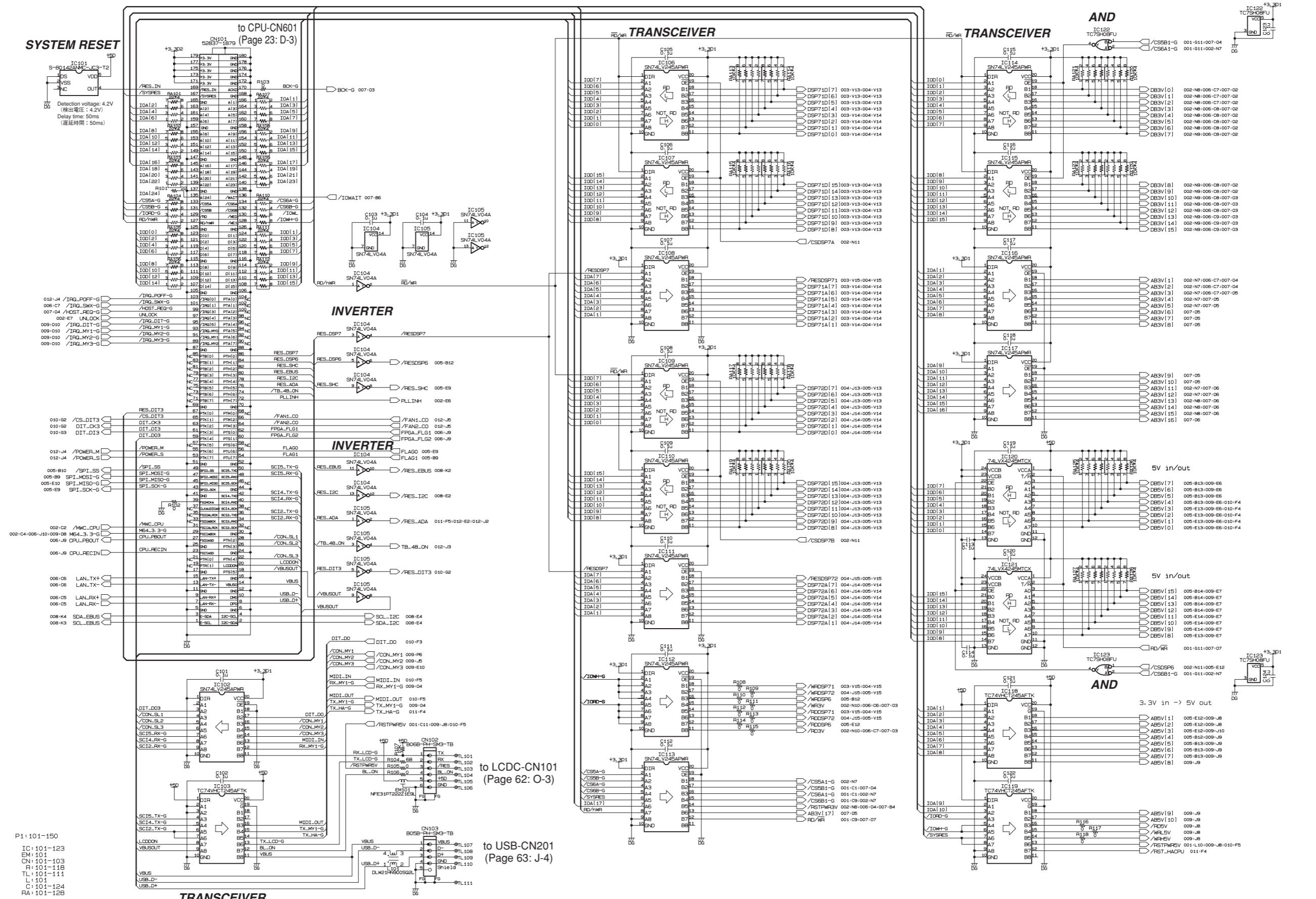
1
2
3
4
5
6
7
8
9
10
11
12
13
14
15
16
17

DNTSB (DNTU) 006 CIRCUIT DIAGRAM (CL5)

CL5



DSP 001 CIRCUIT DIAGRAM (CL5)

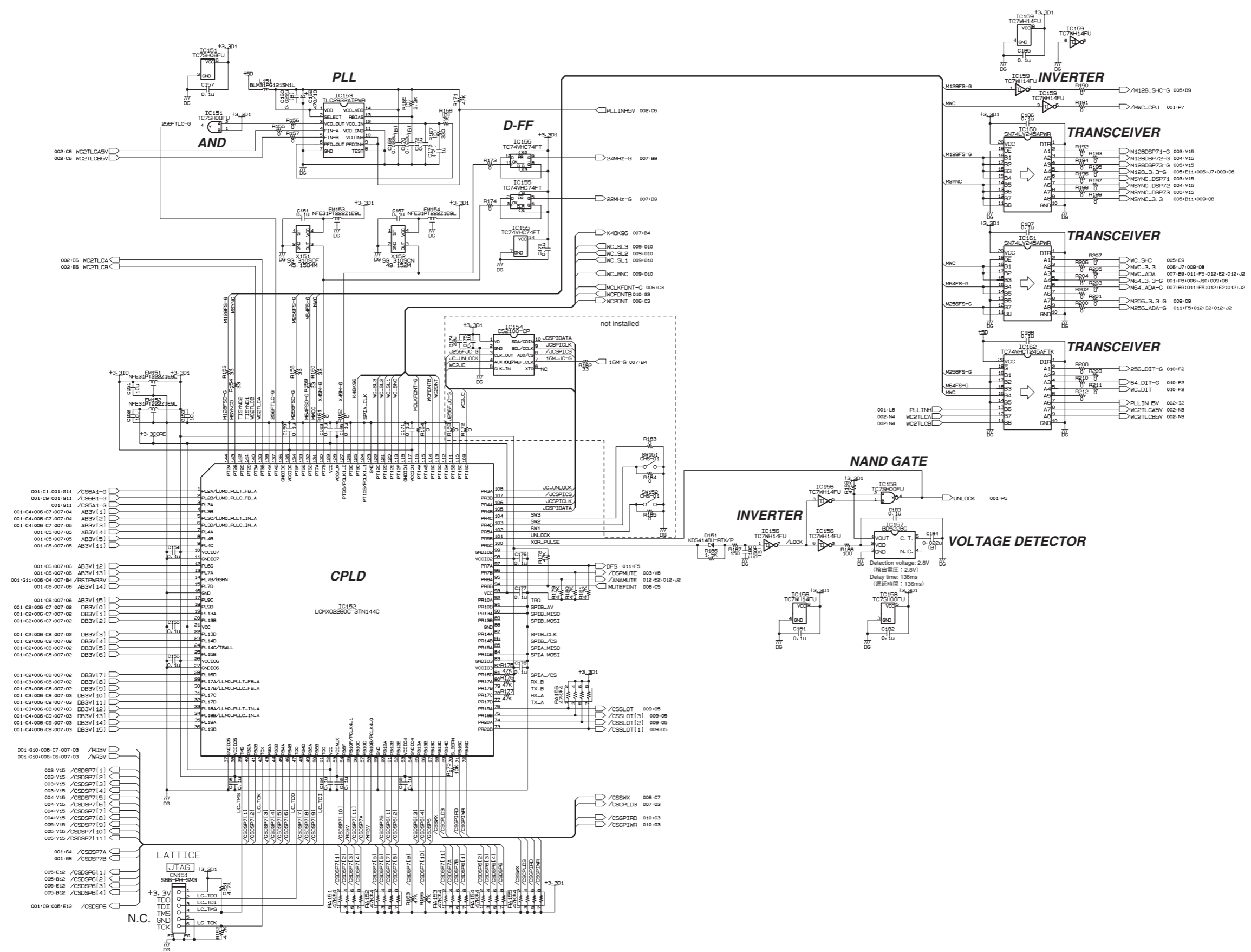


1
2
3
4
5
6
7
8
9
10
11
12

DSP 002 CIRCUIT DIAGRAM (CL5)

CL5

1
2
3
4
5
6
7
8
9
10
11
12

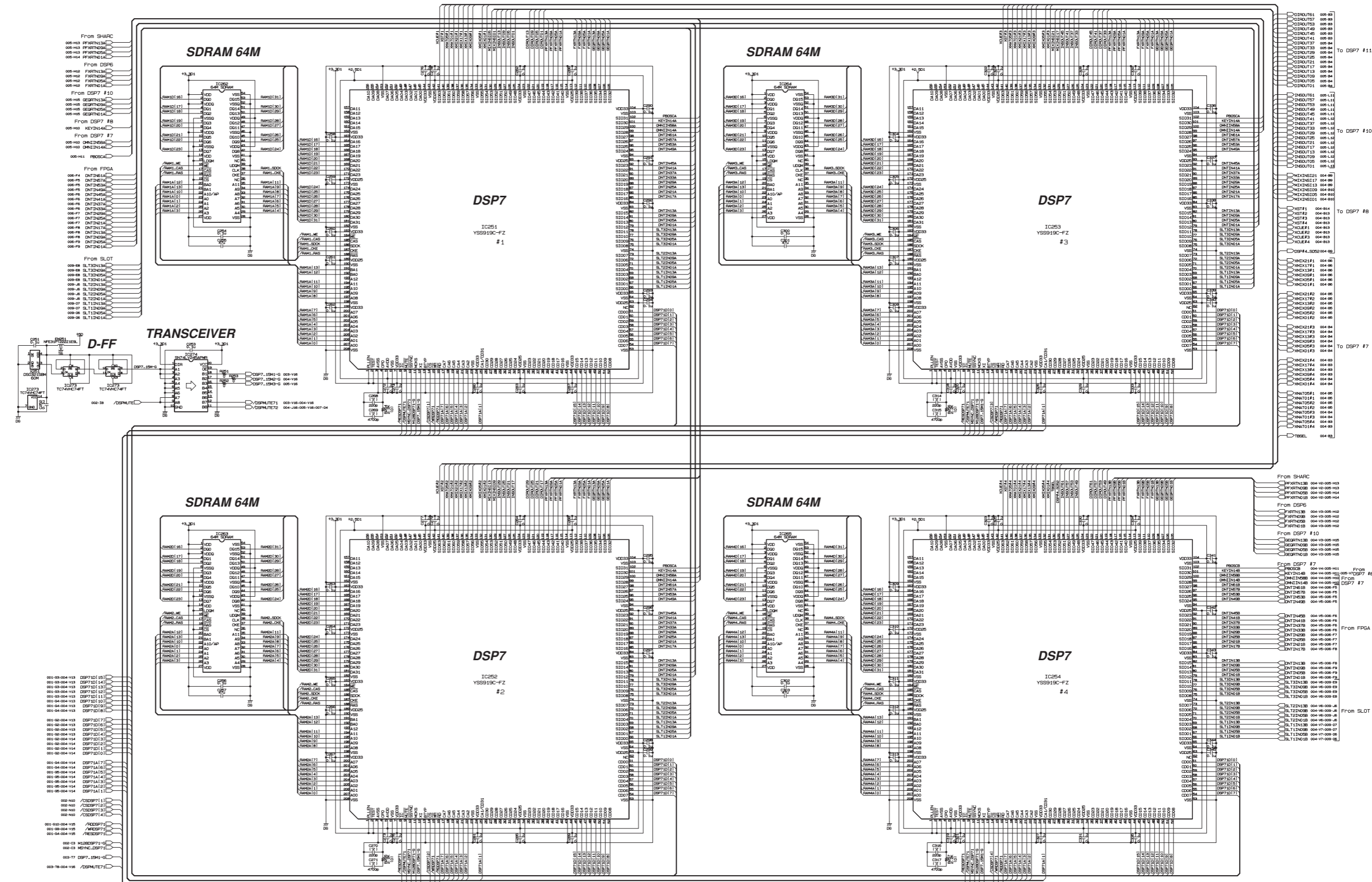


- C: 151-186
- IC: 151-162
- R: 151-212
- SW: 151-152
- EM: 151-154
- X: 151-162
- RA: 151-156
- D: 151
- CN: 151
- L: 151

28CC1-2001088492-2

DSP 003 CIRCUIT DIAGRAM (CL5)

CL5

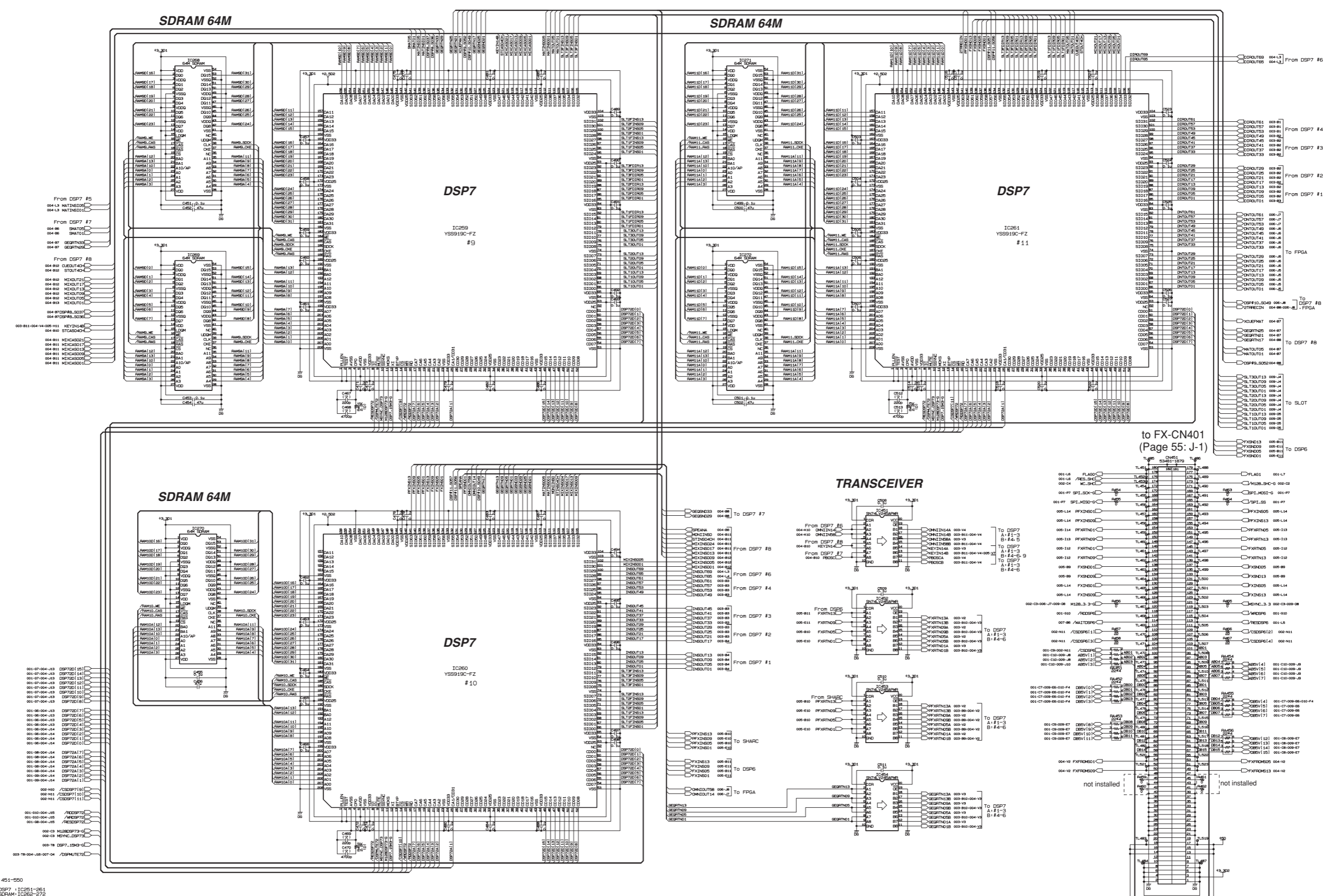


P3-251-350
 DSP7: IC251-254
 SDRAM: IC262-272
 R: 251-257
 IC: 273-274
 C: 251-245
 EM: 251

28CC1-2001088492-3

DSP7 #1-#4
 DSP 003 CIRCUIT DIAGRAM (CL5)

DSP 005 CIRCUIT DIAGRAM (CL5)



P5-451-550
DSP7 + IC261-264
SDRAM-IC262-272

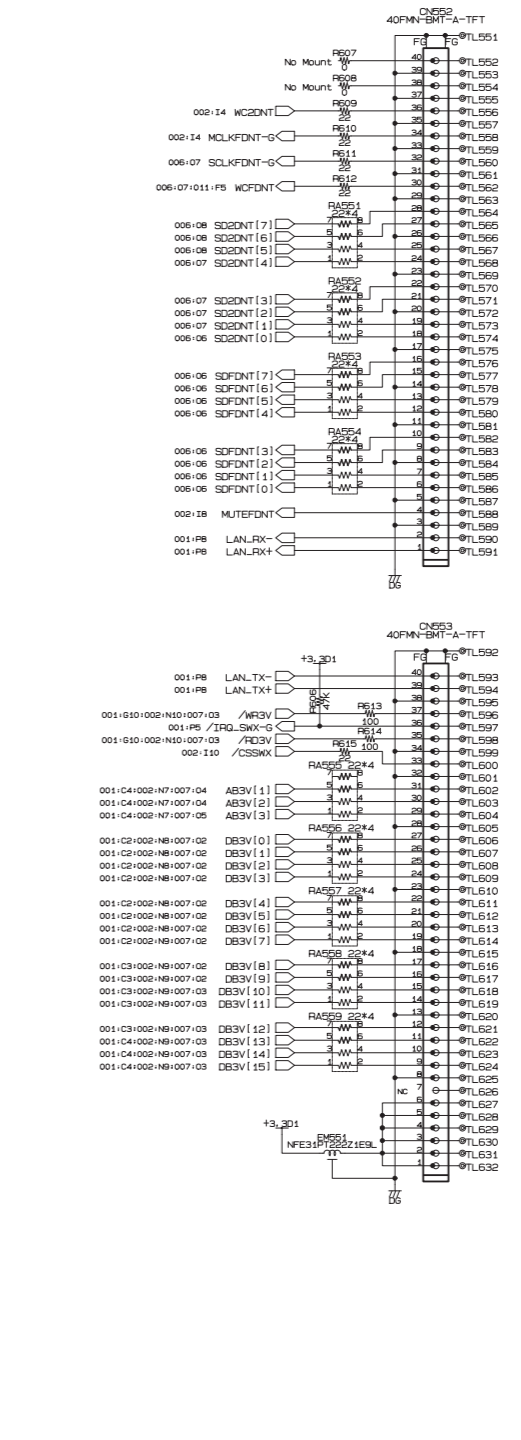
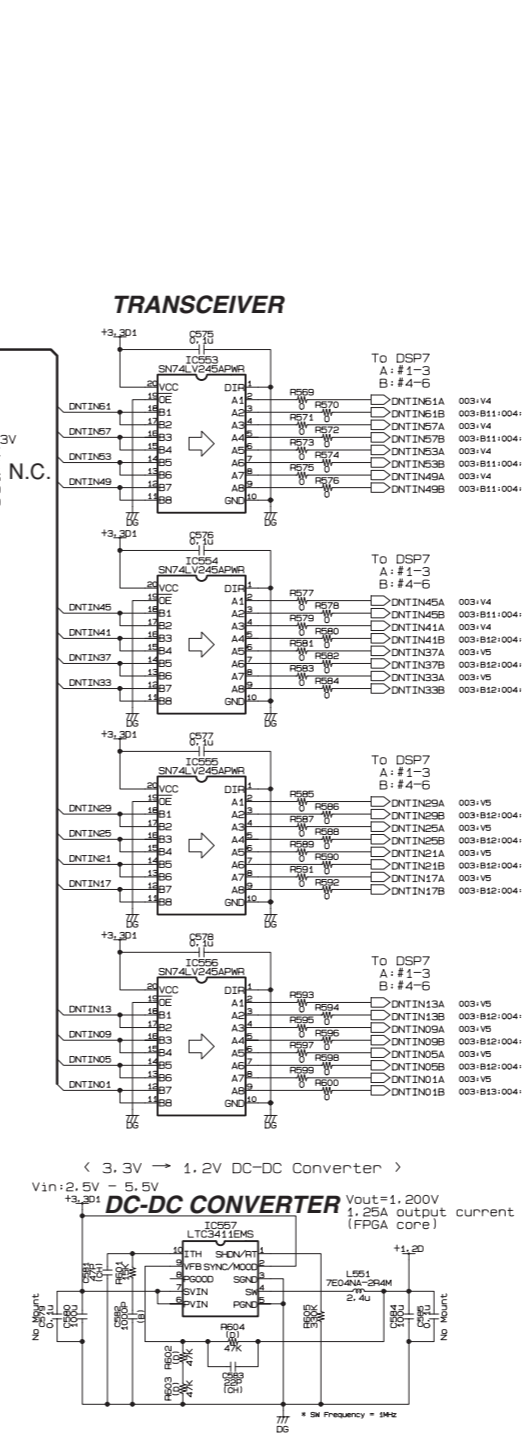
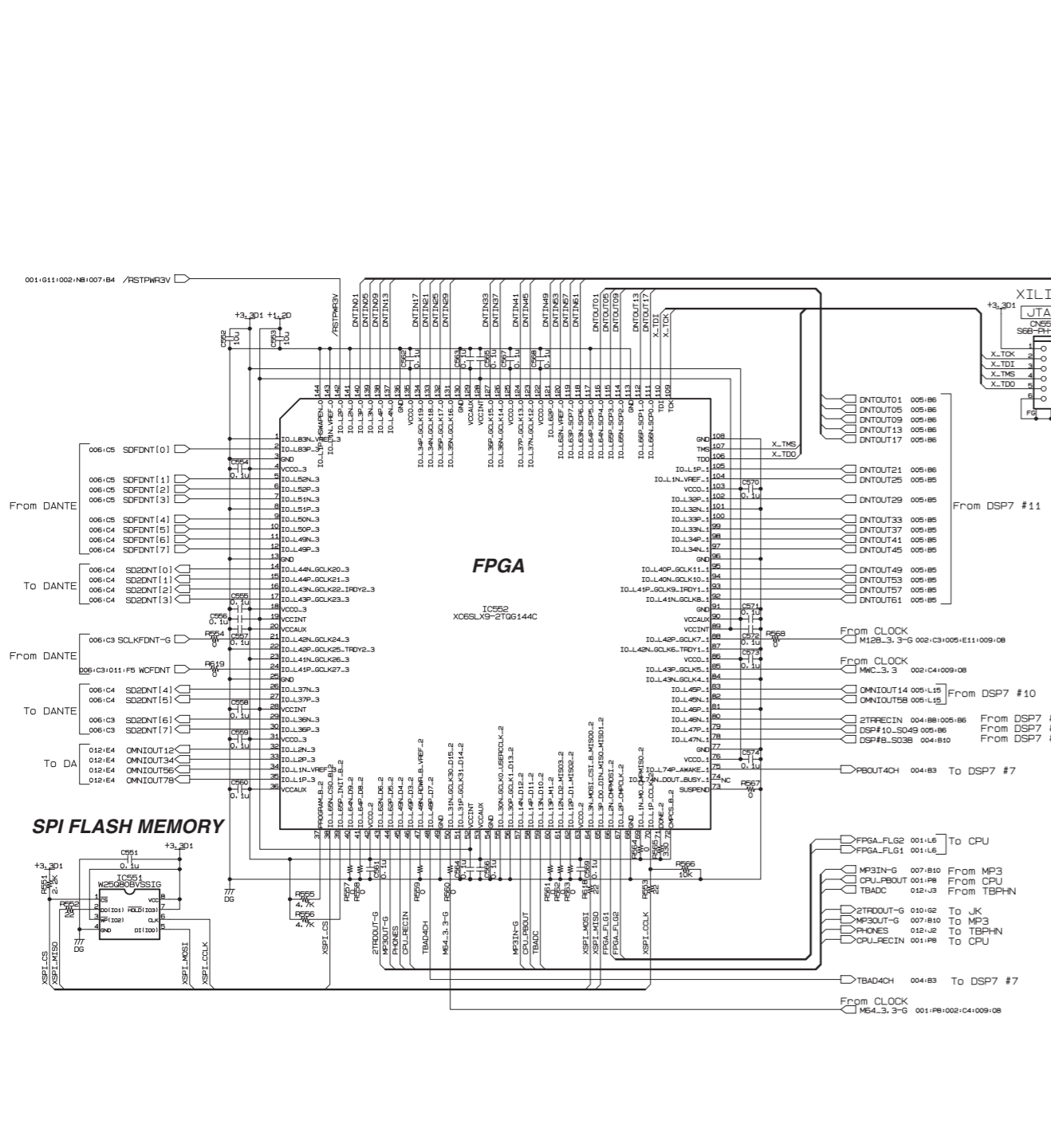
IC#451-457
C#451-457
RA#451-456
TL#451-455

28CC1-2001088492-5

DSP7 #9-#11, FX I/F

DSP 005 CIRCUIT DIAGRAM (CL5)

DSP 006 CIRCUIT DIAGRAM (CL5)



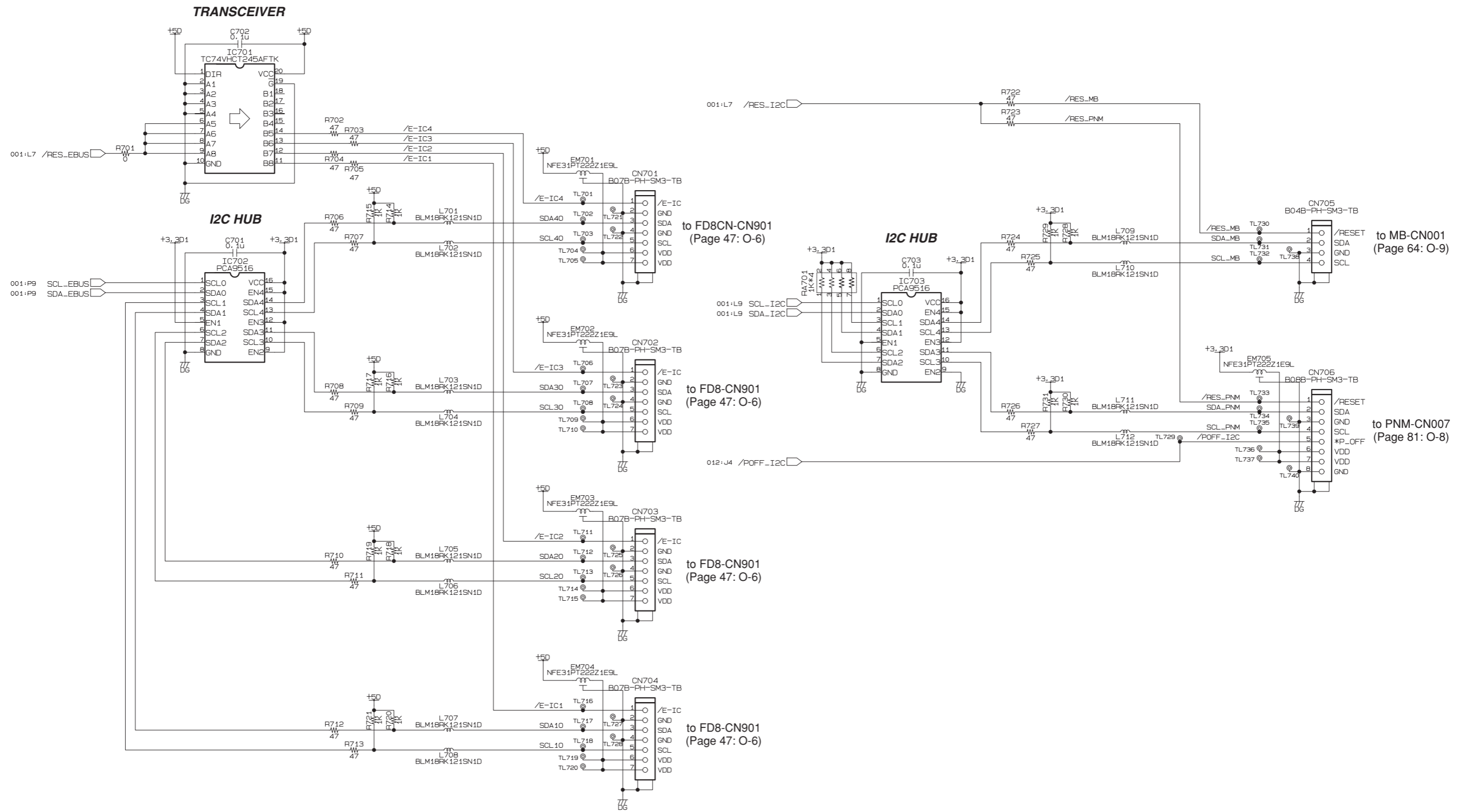
to DNTU-CN503 (Page 33: E-9)

to DNTU-CN504 (Page 33: E-13)

- P6:551-650
- C:551-585
- R:551-619 (616-617)
- IO:551-557
- L:551
- CN:551-553
- HA:551-559
- TL:551-632
- EM:551

DSP 008 CIRCUIT DIAGRAM (CL5)

CL5



PB: 701-750

C: 701-703
 R: 701-731
 CN: 701-706
 L: 701-712
 EM: 701-705
 IC: 701-703
 TL: 701-740
 RA: 701

28CC1-2001088492-8

FD, MB, PNM I/F

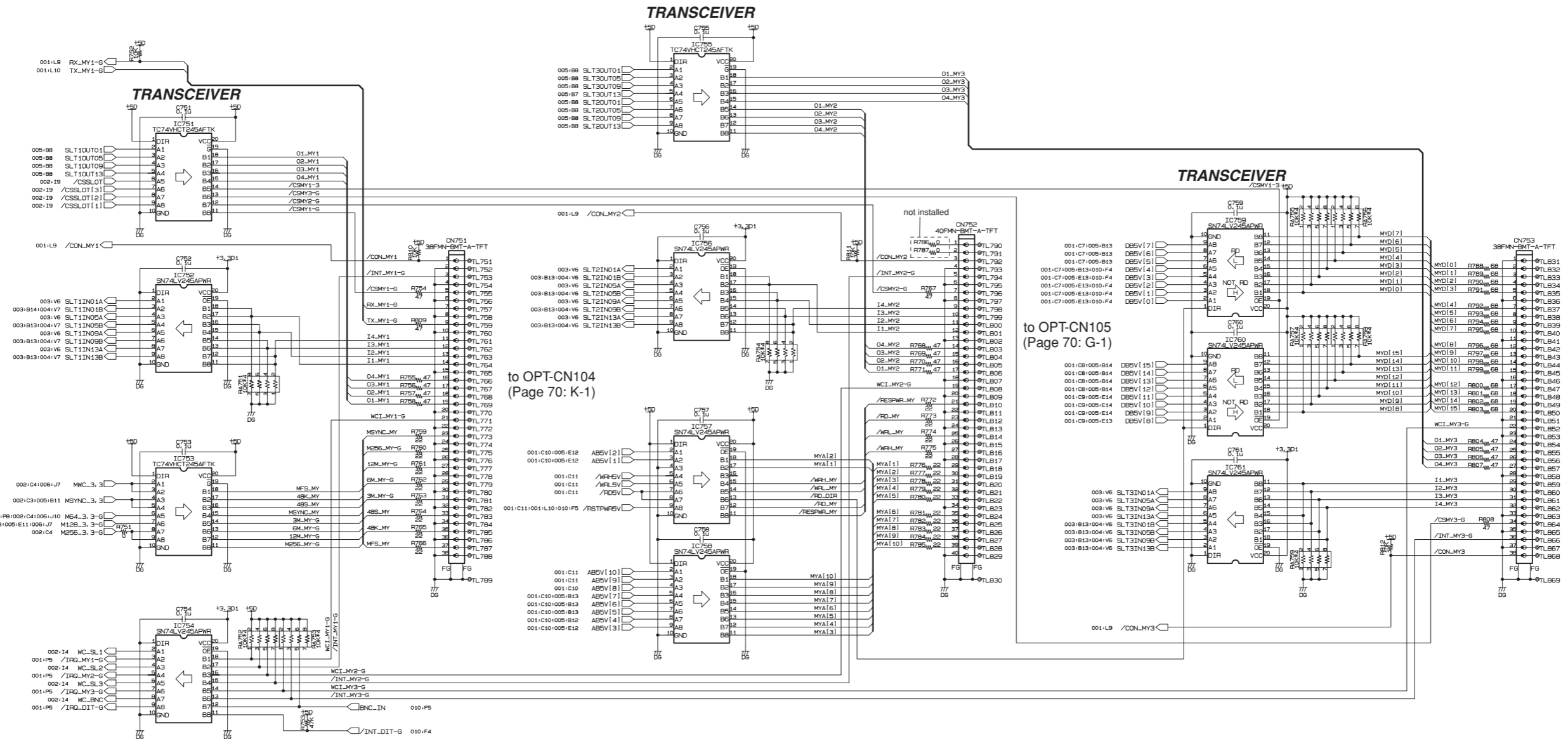
DSP 008 CIRCUIT DIAGRAM (CL5)

DSP 009 CIRCUIT DIAGRAM (CL5)

PS: 751-850 (C801-850) DEMITAS用)

- CN: 751-753
- R: 751-812
- IC: 751-761
- C: 751-761
- RA: 751-759
- TL: 751-859

28CC1-2001088492-9



1
2
3
4
5
6
7
8
9
10
11
12

DSP 010 CIRCUIT DIAGRAM (CL5)

CL5

1

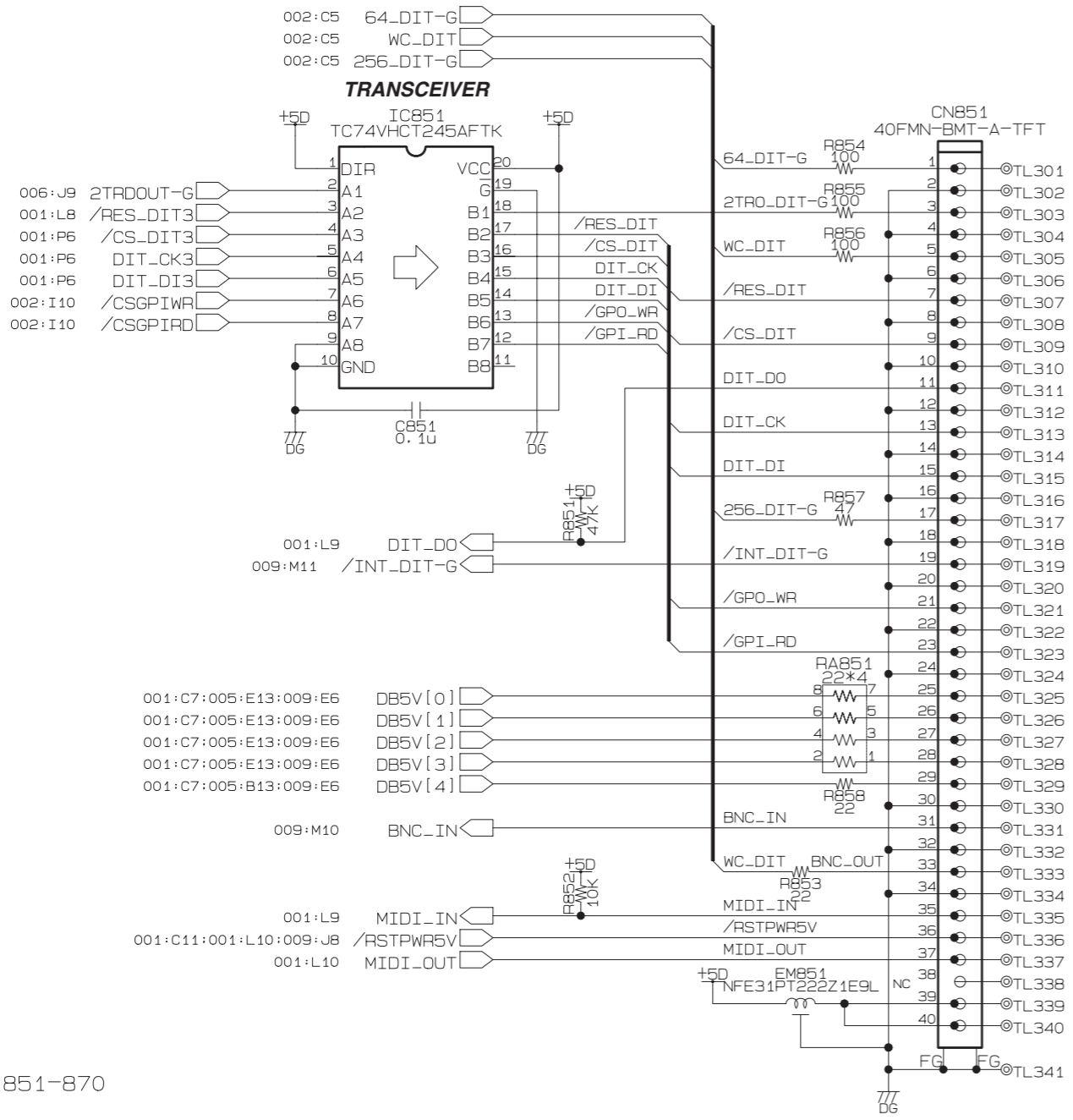
2

3

4

5

6



to JK-CN601
(Page 61: G-2)

P10: 851-870

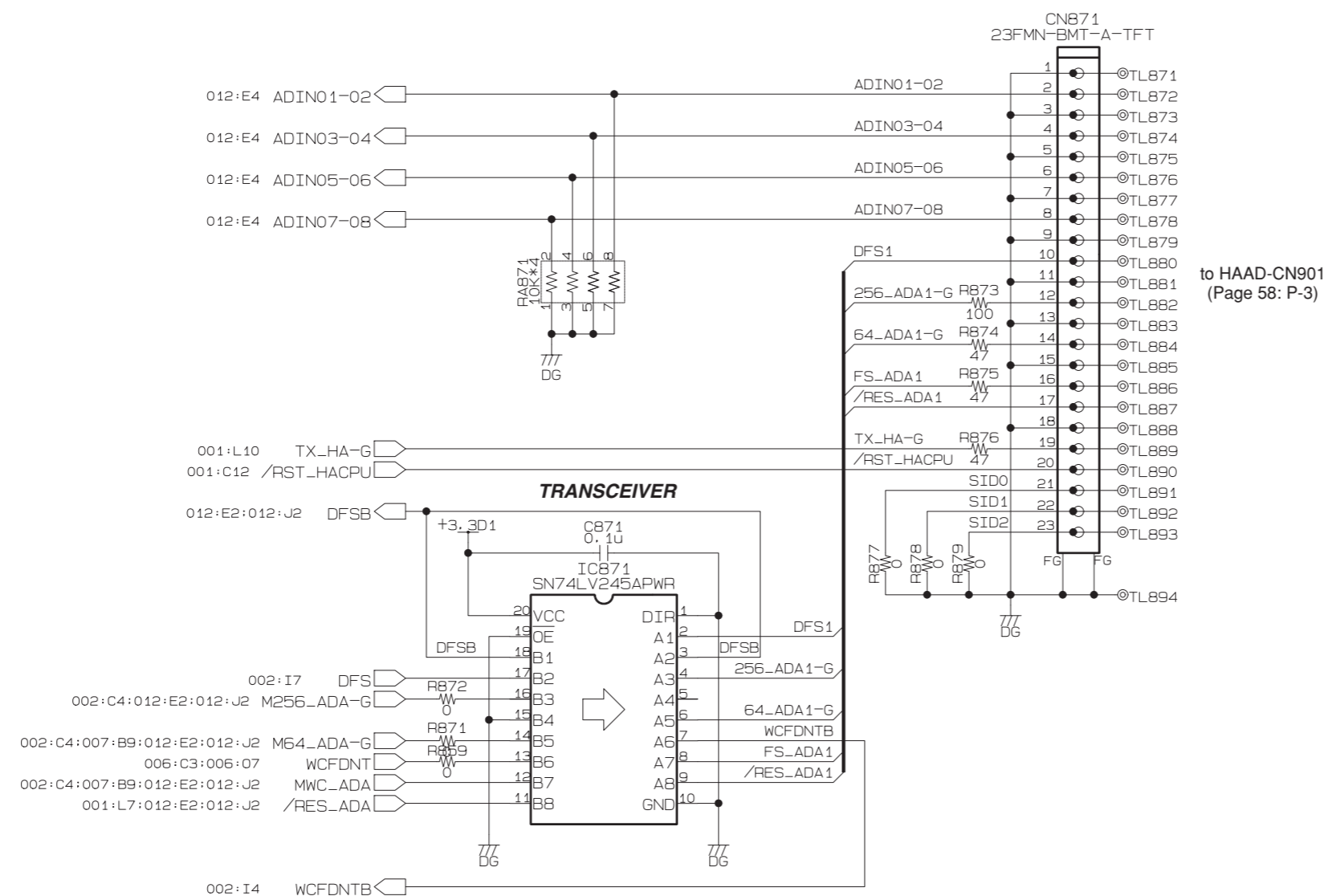
- R: 851-859
- CN: 851
- C: 851
- IC: 851
- RA: 851
- TL: 301-341
- EM: 851

28CC1-2001088492-10

JK I/F

DSP 010 CIRCUIT DIAGRAM (CL5)

DSP 011 CIRCUIT DIAGRAM (CL5)



to HAAD-CN901
(Page 58: P-3)

P11:871-900

- R:871-879
- IC:871
- C:871
- CN:871
- RA:871
- TL:871-894

1

2

3

4

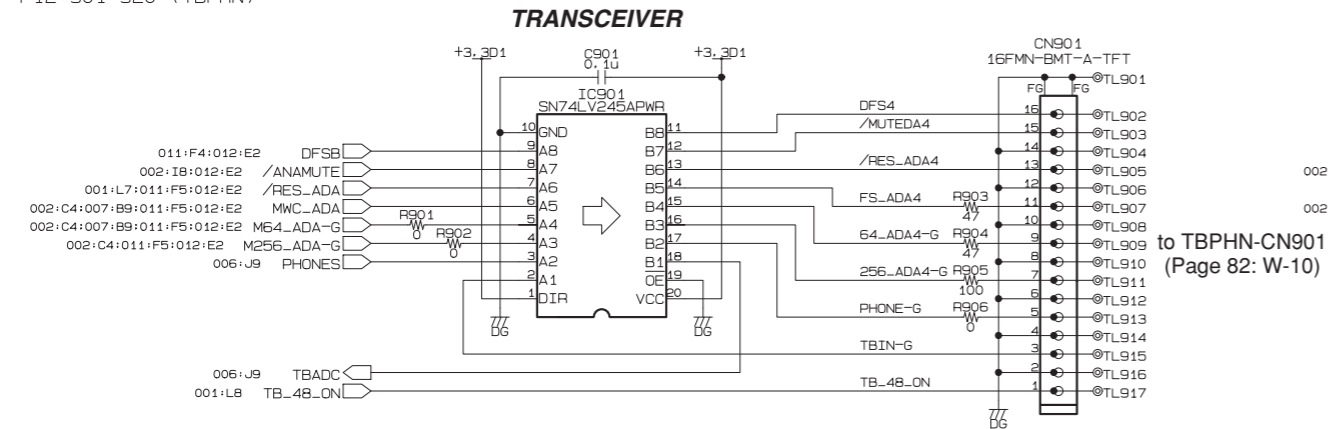
5

6

DSP 012 CIRCUIT DIAGRAM (CL5)

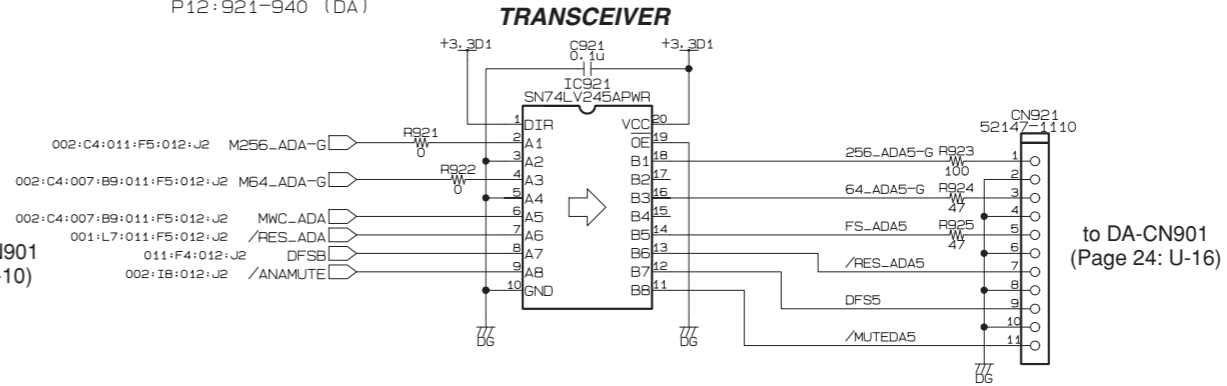
CL5

P12:901-920 (TBPHN)



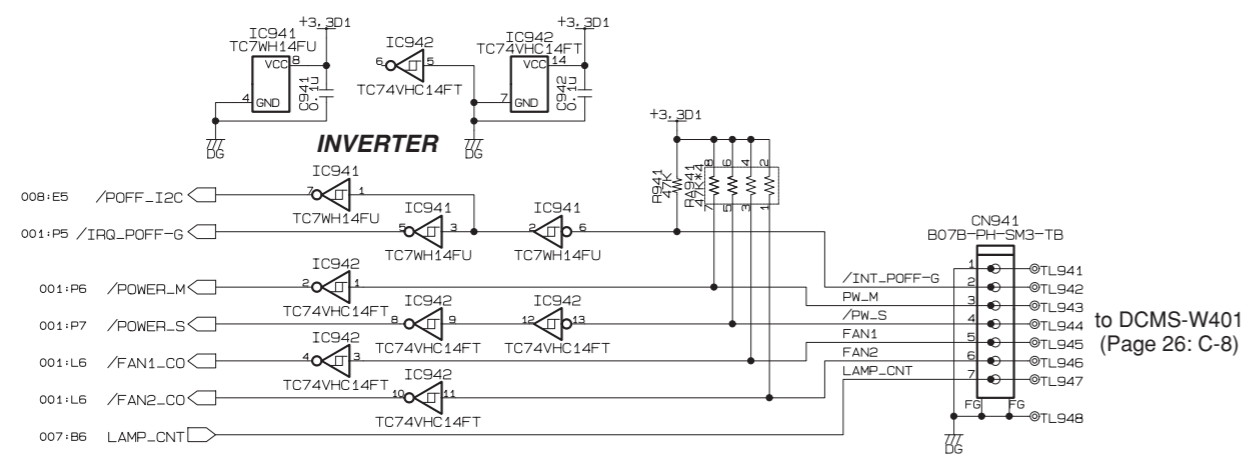
to TBPHN-CN901
(Page 82: W-10)

P12:921-940 (DA)



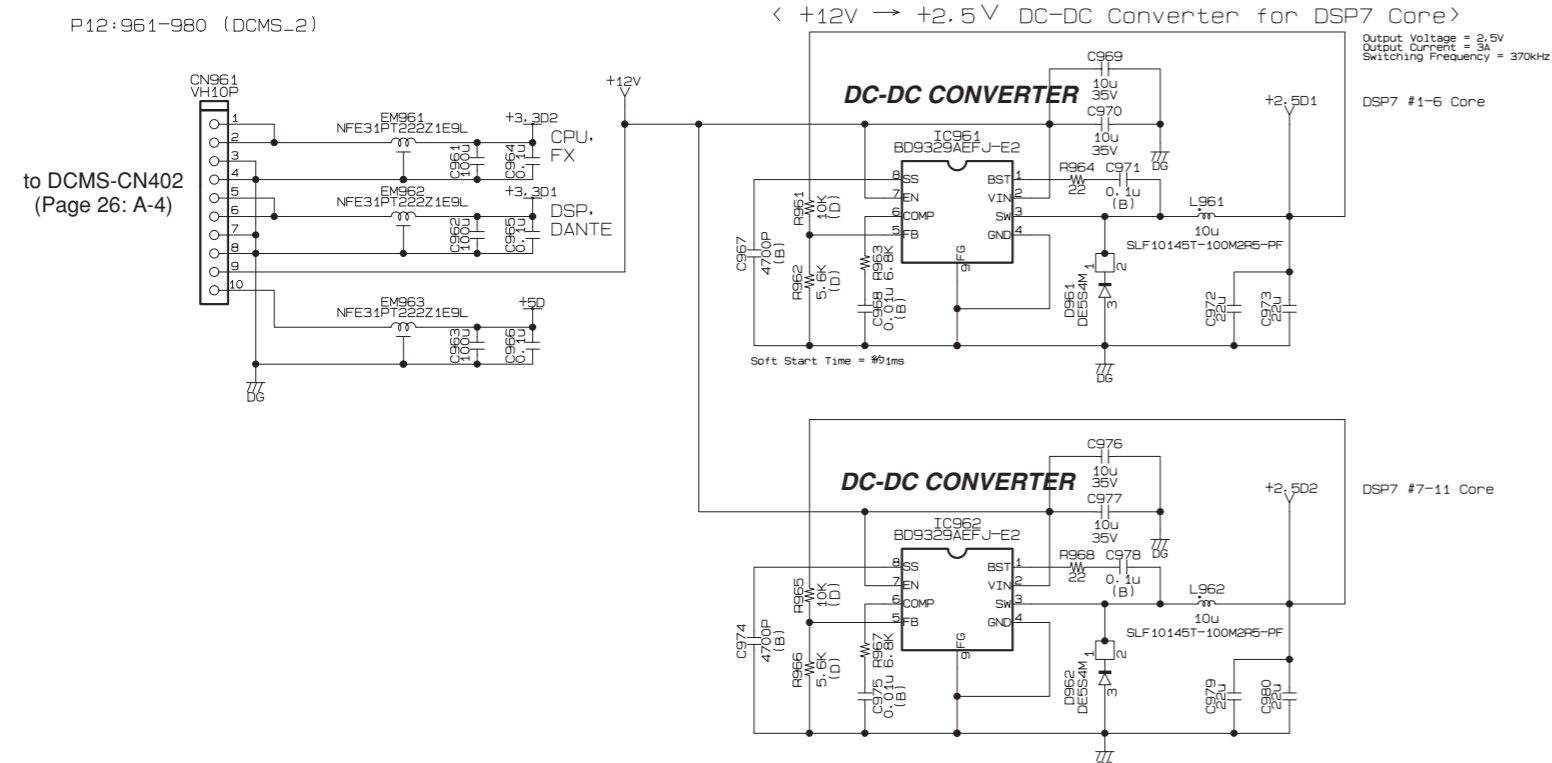
to DA-CN901
(Page 24: U-16)

P12:941-960 (DCMS_1)



to DCMS-W401
(Page 26: C-8)

P12:961-980 (DCMS_2)

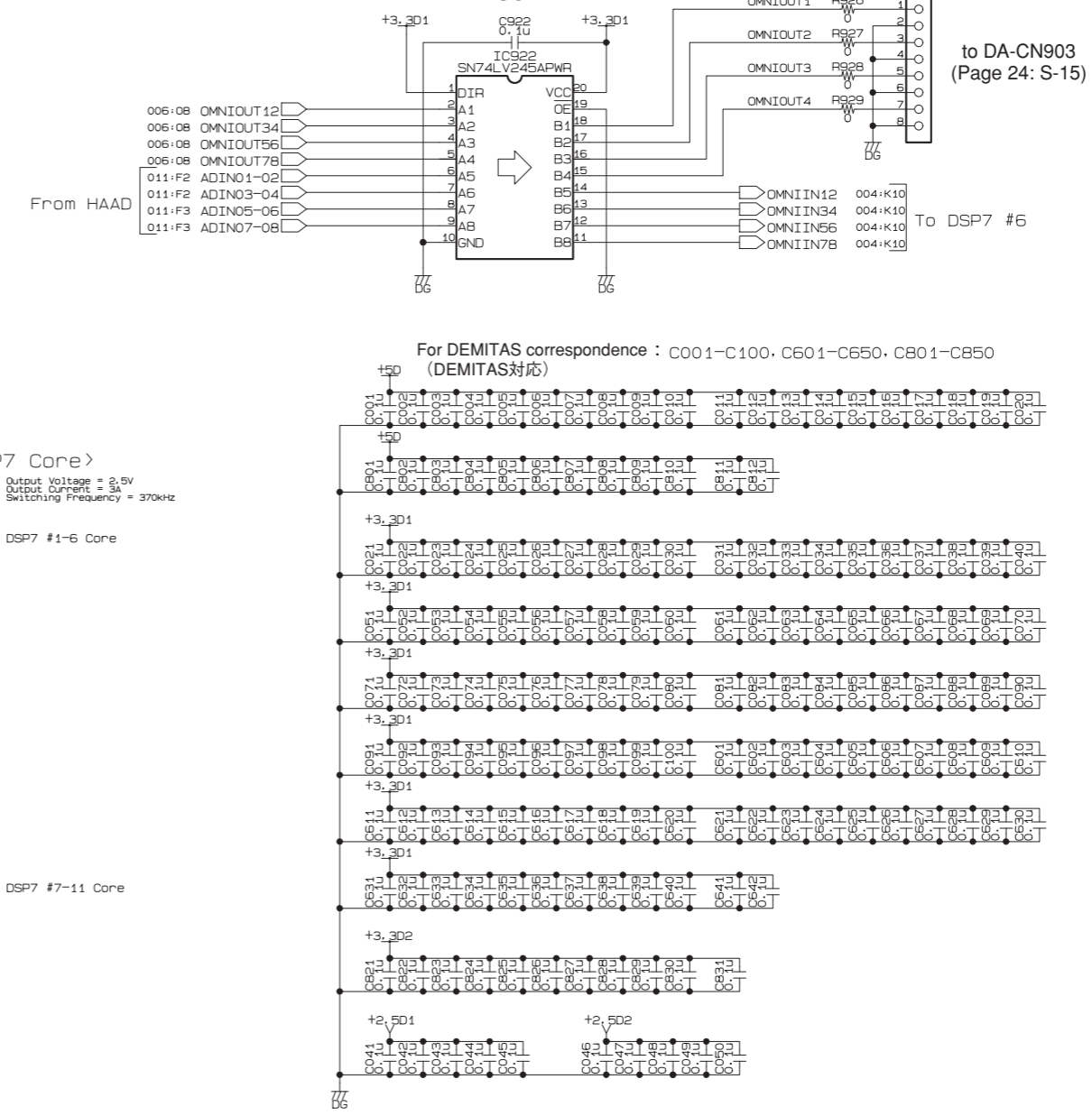


Output Voltage = 2.5V
Output Current = 500mA
Switching Frequency = 370kHz

DSP7 #1-6 Core

DSP7 #7-11 Core

P12:981-1000 (DCMS_3)



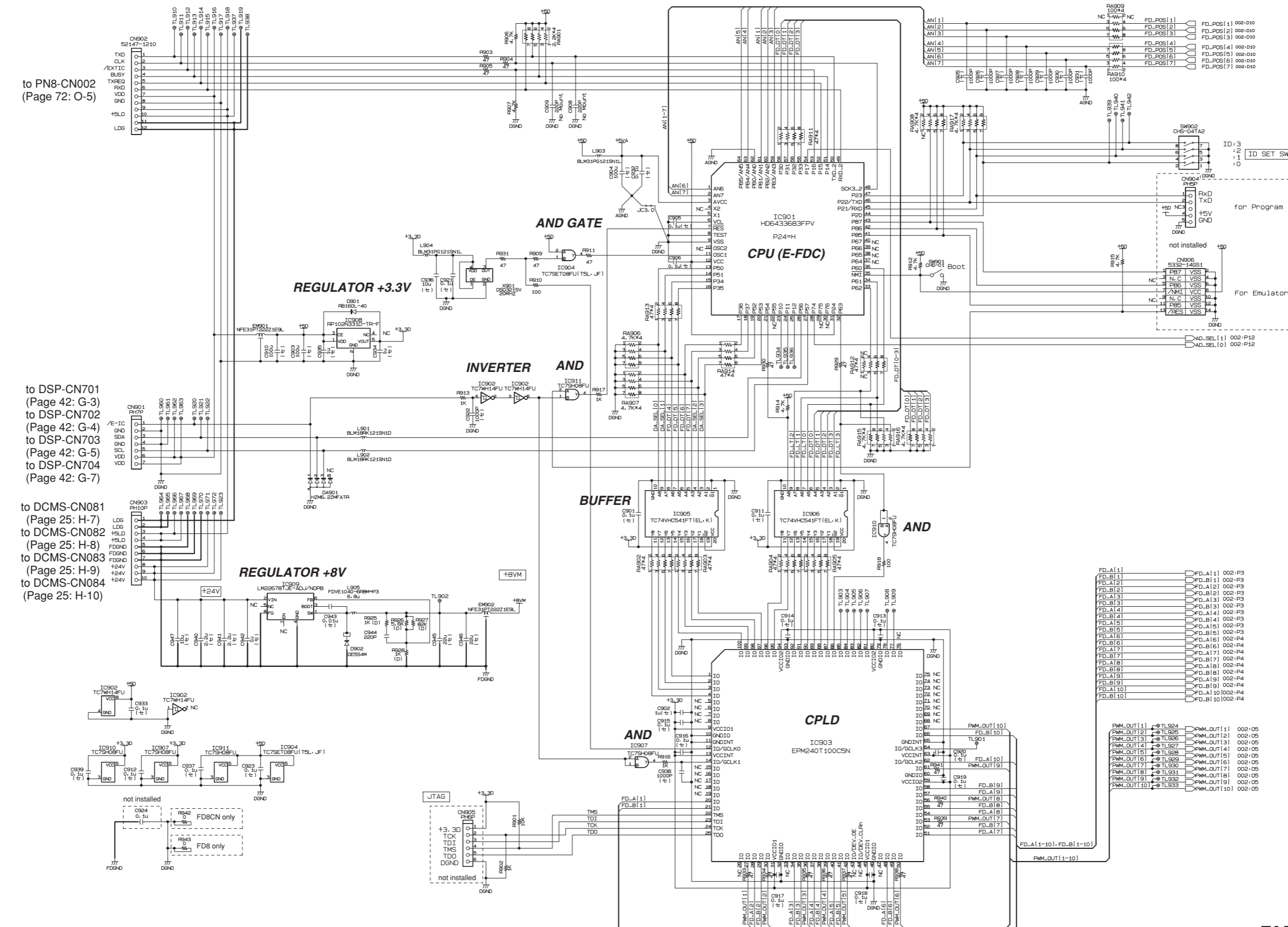
to DA-CN903
(Page 24: S-15)

To DSP7 #6

TBPHN, DA, DCMS I/F, DC-DC CONVERTER

DSP 012 CIRCUIT DIAGRAM (CL5)

FDCOM (FD8, FD8CN) 001 CIRCUIT DIAGRAM (CL5)



to PN8-CN002 (Page 72: O-5)

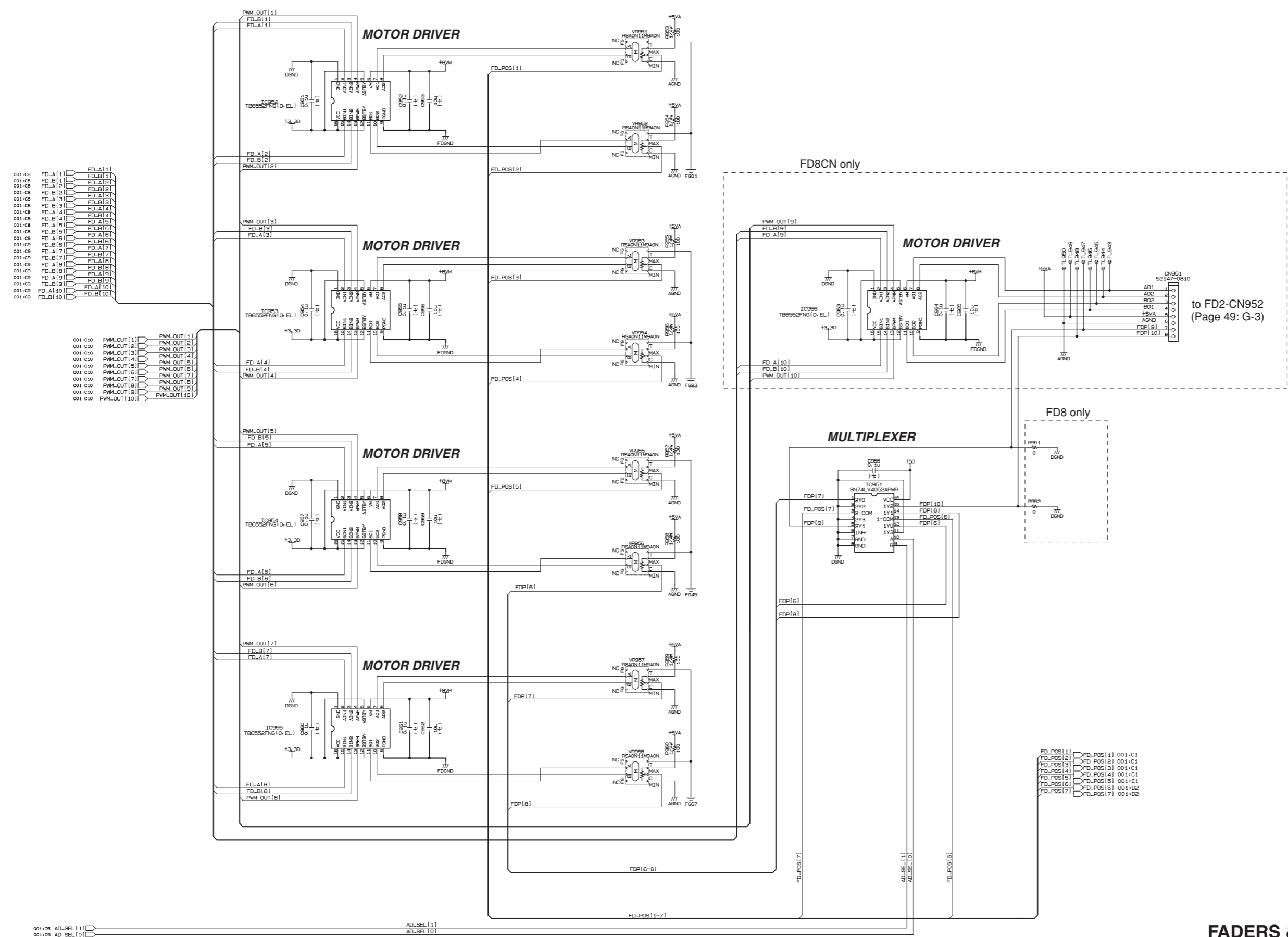
to DSP-CN701 (Page 42: G-3)
to DSP-CN702 (Page 42: G-4)
to DSP-CN703 (Page 42: G-5)
to DSP-CN704 (Page 42: G-7)

to DCMS-CN081 (Page 25: H-7)
to DCMS-CN082 (Page 25: H-8)
to DCMS-CN083 (Page 25: H-9)
to DCMS-CN084 (Page 25: H-10)

1
2
3
4
5
6
7
8
9
10
11
12

FDCOM (FD8, FD8CN) 002 CIRCUIT DIAGRAM (CL5)

1
2
3
4
5
6
7
8
9
10
11
12



001:CB	FD_A[1]	FD_A[1]
001:CB	FD_B[1]	FD_B[1]
001:CB	FD_A[2]	FD_A[2]
001:CB	FD_B[2]	FD_B[2]
001:CB	FD_A[3]	FD_A[3]
001:CB	FD_B[3]	FD_B[3]
001:CB	FD_A[4]	FD_A[4]
001:CB	FD_B[4]	FD_B[4]
001:CB	FD_A[5]	FD_A[5]
001:CB	FD_B[5]	FD_B[5]
001:CB	FD_A[6]	FD_A[6]
001:CB	FD_B[6]	FD_B[6]
001:CB	FD_A[7]	FD_A[7]
001:CB	FD_B[7]	FD_B[7]
001:CB	FD_A[8]	FD_A[8]
001:CB	FD_B[8]	FD_B[8]
001:CB	FD_A[9]	FD_A[9]
001:CB	FD_B[9]	FD_B[9]
001:CB	FD_A[10]	FD_A[10]
001:CB	FD_B[10]	FD_B[10]

001:C10	PWM_OUT[1]	PWM_OUT[1]
001:C10	PWM_OUT[2]	PWM_OUT[2]
001:C10	PWM_OUT[3]	PWM_OUT[3]
001:C10	PWM_OUT[4]	PWM_OUT[4]
001:C10	PWM_OUT[5]	PWM_OUT[5]
001:C10	PWM_OUT[6]	PWM_OUT[6]
001:C10	PWM_OUT[7]	PWM_OUT[7]
001:C10	PWM_OUT[8]	PWM_OUT[8]
001:C10	PWM_OUT[9]	PWM_OUT[9]
001:C10	PWM_OUT[10]	PWM_OUT[10]

FD_POS[1]	FD_POS[1]	001:C1
FD_POS[2]	FD_POS[2]	001:C1
FD_POS[3]	FD_POS[3]	001:C1
FD_POS[4]	FD_POS[4]	001:C1
FD_POS[5]	FD_POS[5]	001:C1
FD_POS[6]	FD_POS[6]	001:C1
FD_POS[6]	FD_POS[6]	001:D2
FD_POS[7]	FD_POS[7]	001:D2

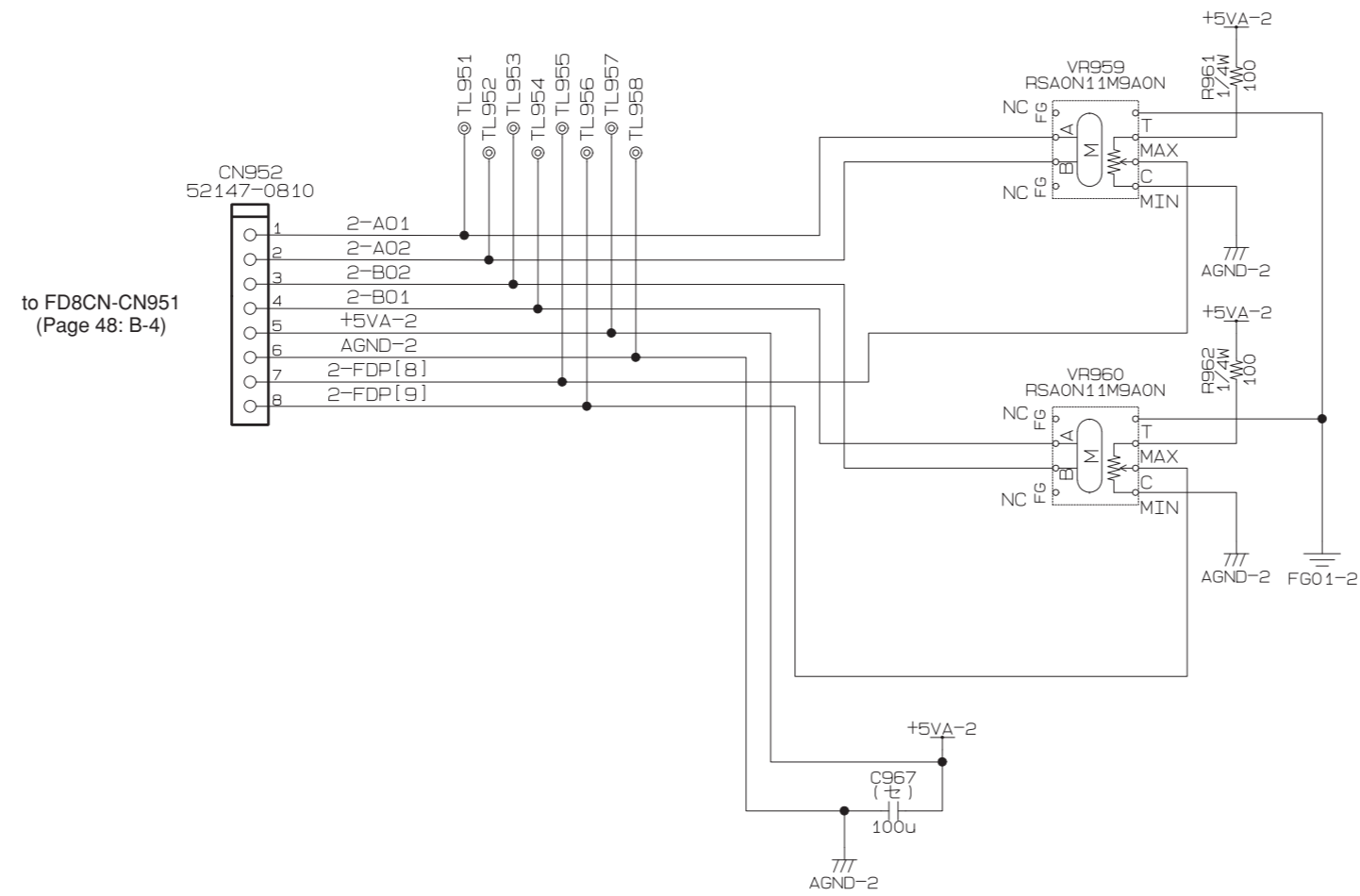
001:CS AD_SEL[1]
001:CB AD_SEL[0]

AD_SEL[1]
AD_SEL[0]

FADERS & MOTOR DRIVERS

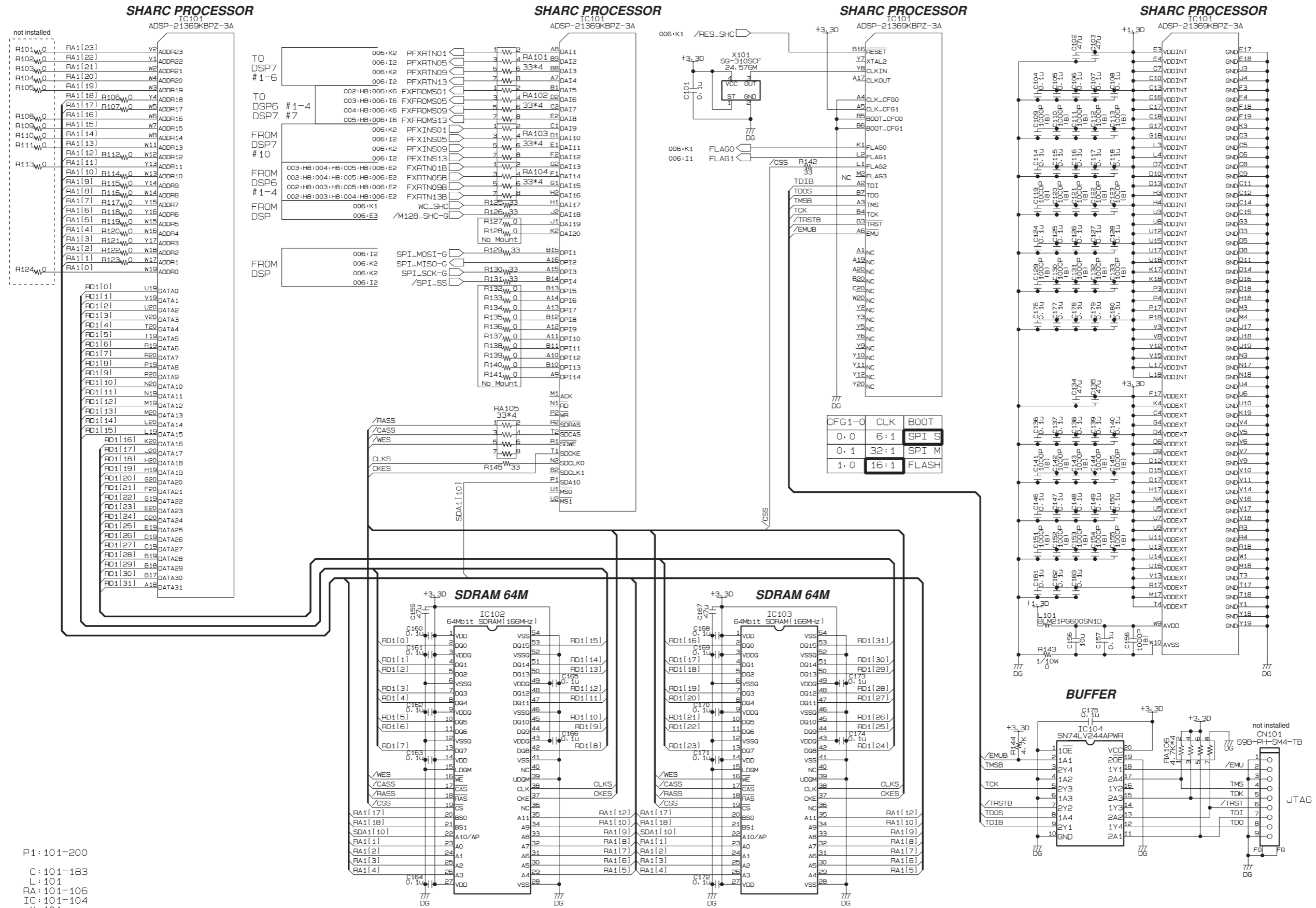
FDCOM (FD8, FD8CN) 002 CIRCUIT DIAGRAM (CL5)

■ FDCOM (FD2) 003 CIRCUIT DIAGRAM (CL5)



FX 001 CIRCUIT DIAGRAM (CL5)

CL5



P1: 101-200
 C: 101-183
 L: 101
 RA: 101-106
 IC: 101-104
 X: 101
 R: 101-145
 CN: 101

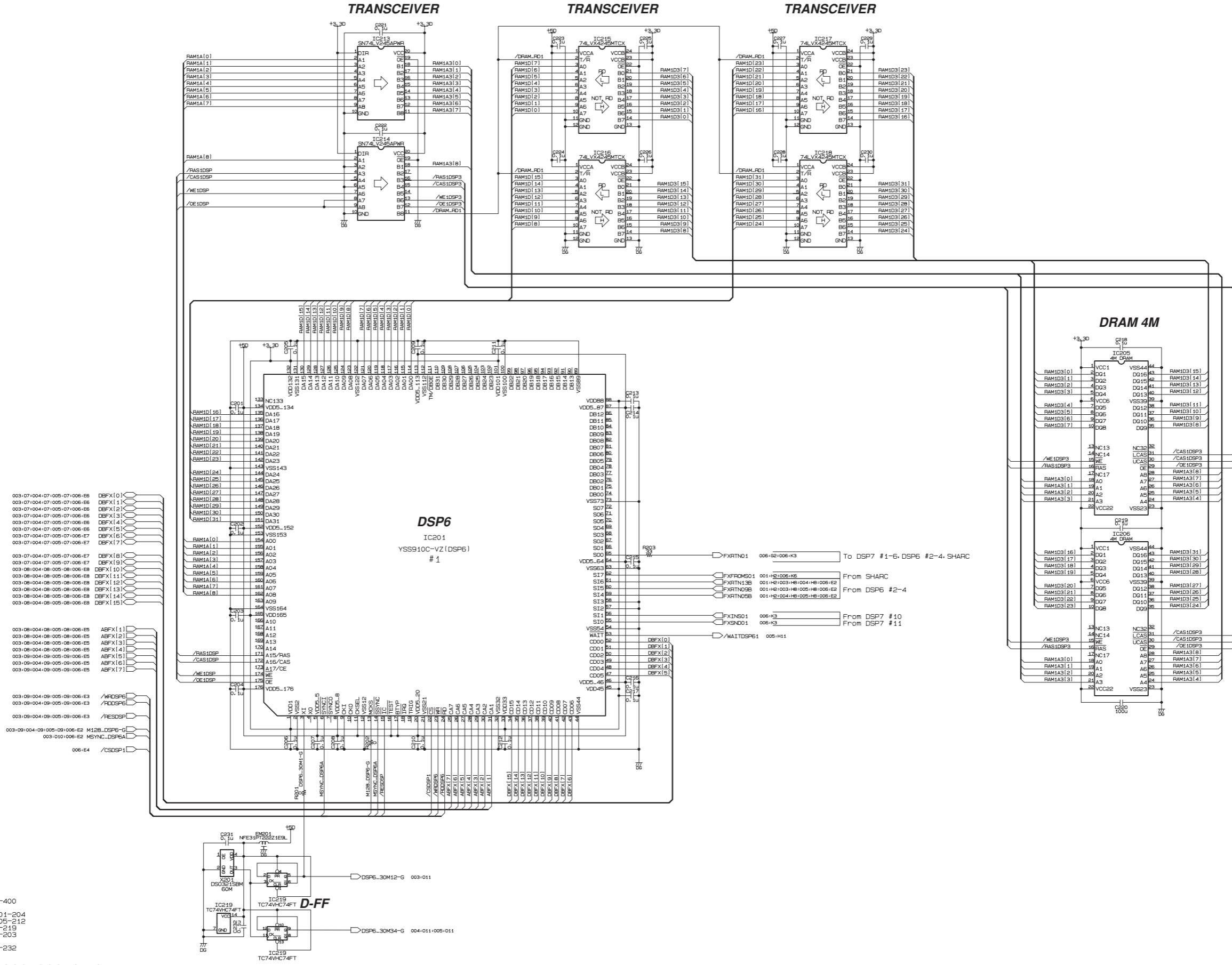
SDRAM speed : 24.576MHz*16/2.5=157.2864MHz

28CC1-2001088505-1

SHARC

FX 001 CIRCUIT DIAGRAM (CL5)

FX 002 CIRCUIT DIAGRAM (CL5)



P2-5:201-400
 DSP6: IC201-204
 DRAM: IC205-212
 IC: 213-219
 R: 201-203
 EM: 201
 C: 201-232
 X: 201

DSP6_30M12-G 003:011
 DSP6_30M34-G 004:011-005:011

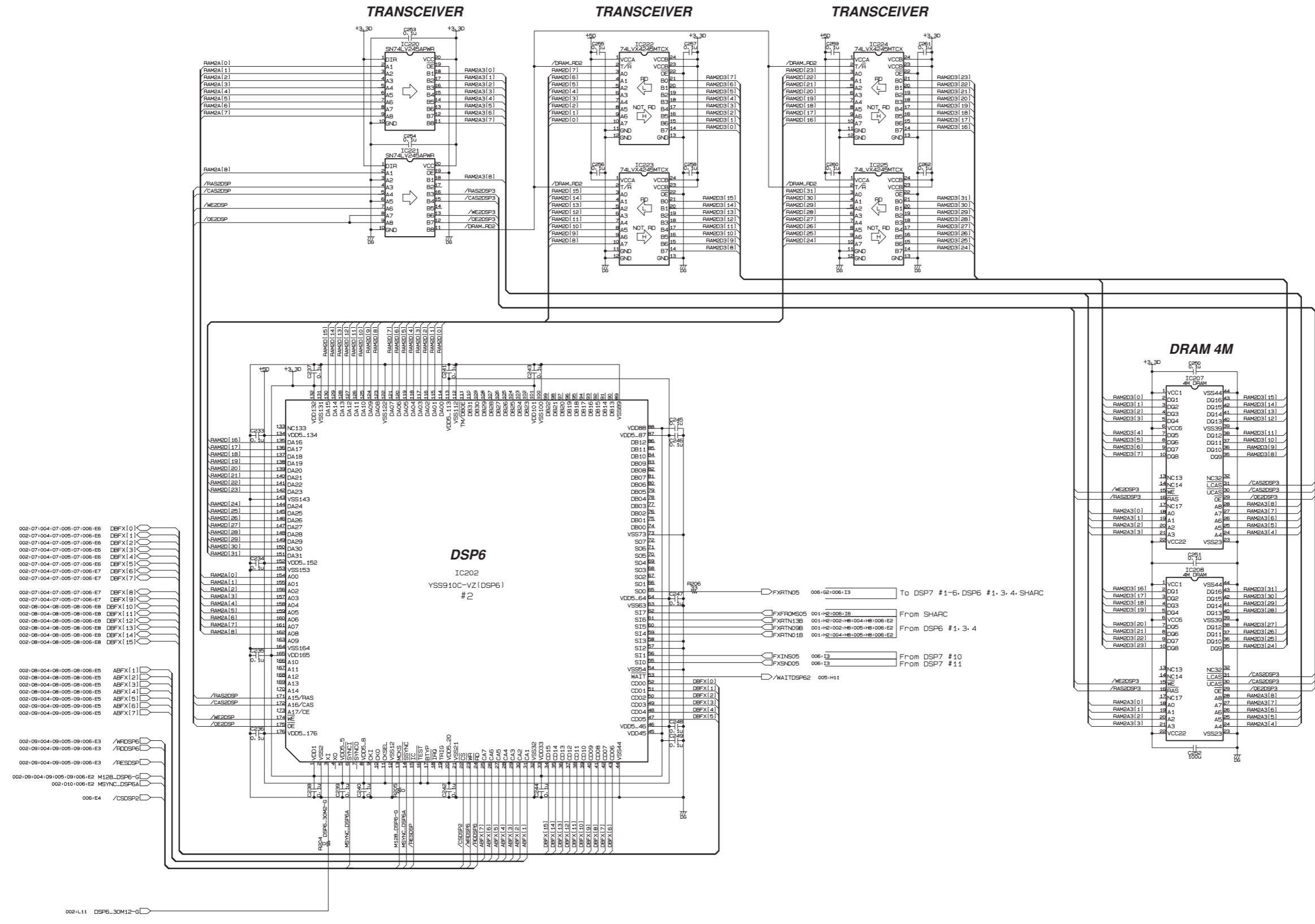
IC219 TC74VHC74FT
 IC218 TC74VHC74FT
 IC217 TC74VHC74FT

28CC1-2001088505-2

FX 003 CIRCUIT DIAGRAM (CL5)

CL5

1
2
3
4
5
6
7
8
9
10
11
12



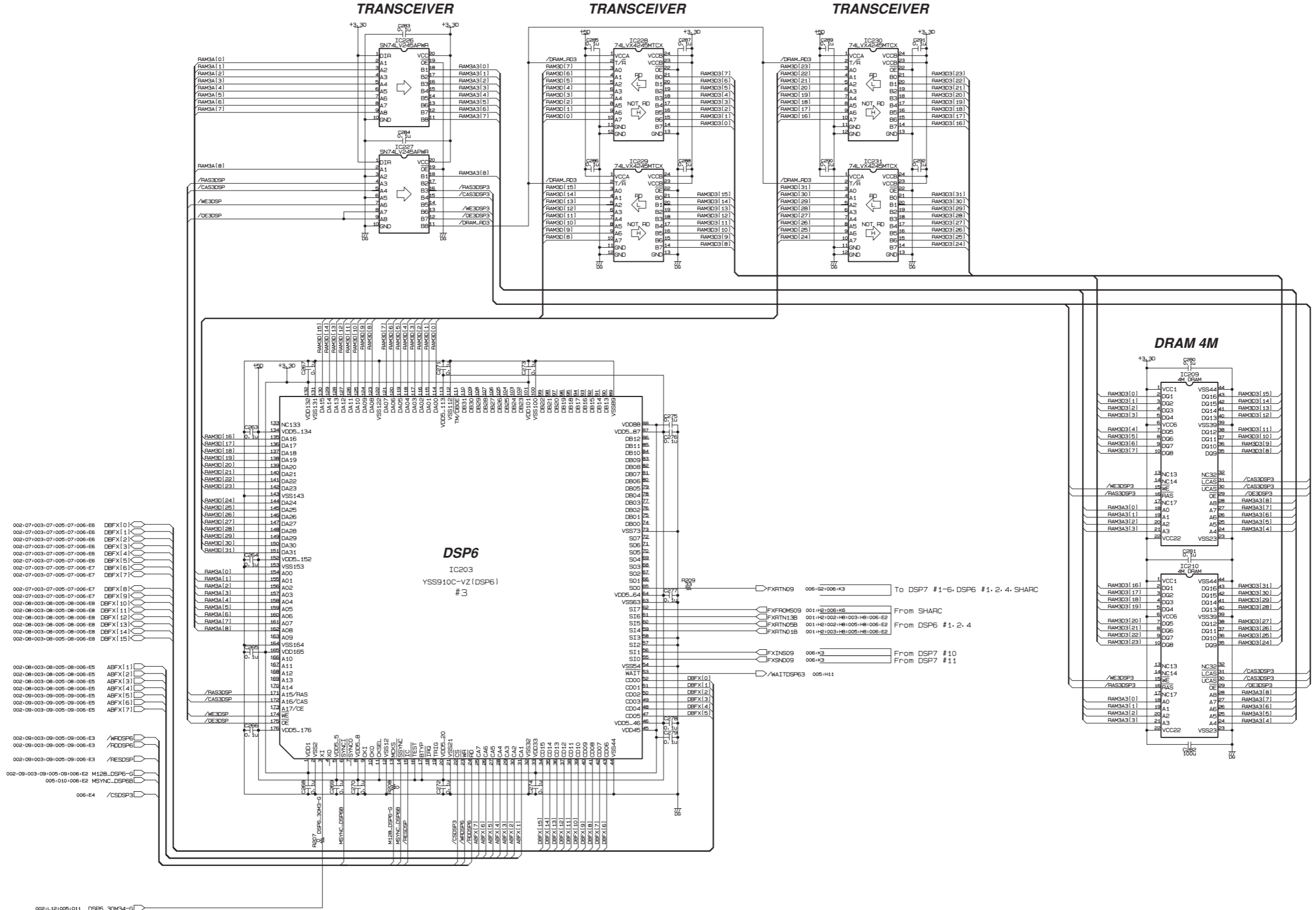
P2-5:201-400
 DSP6: IC201-204
 DRAM: IC205-212
 IC: 220-225
 R: 204-206
 C: 233-262

28CC1-2001088505-3

DSP6 #2

FX 003 CIRCUIT DIAGRAM (CL5)

FX 004 CIRCUIT DIAGRAM (CL5)

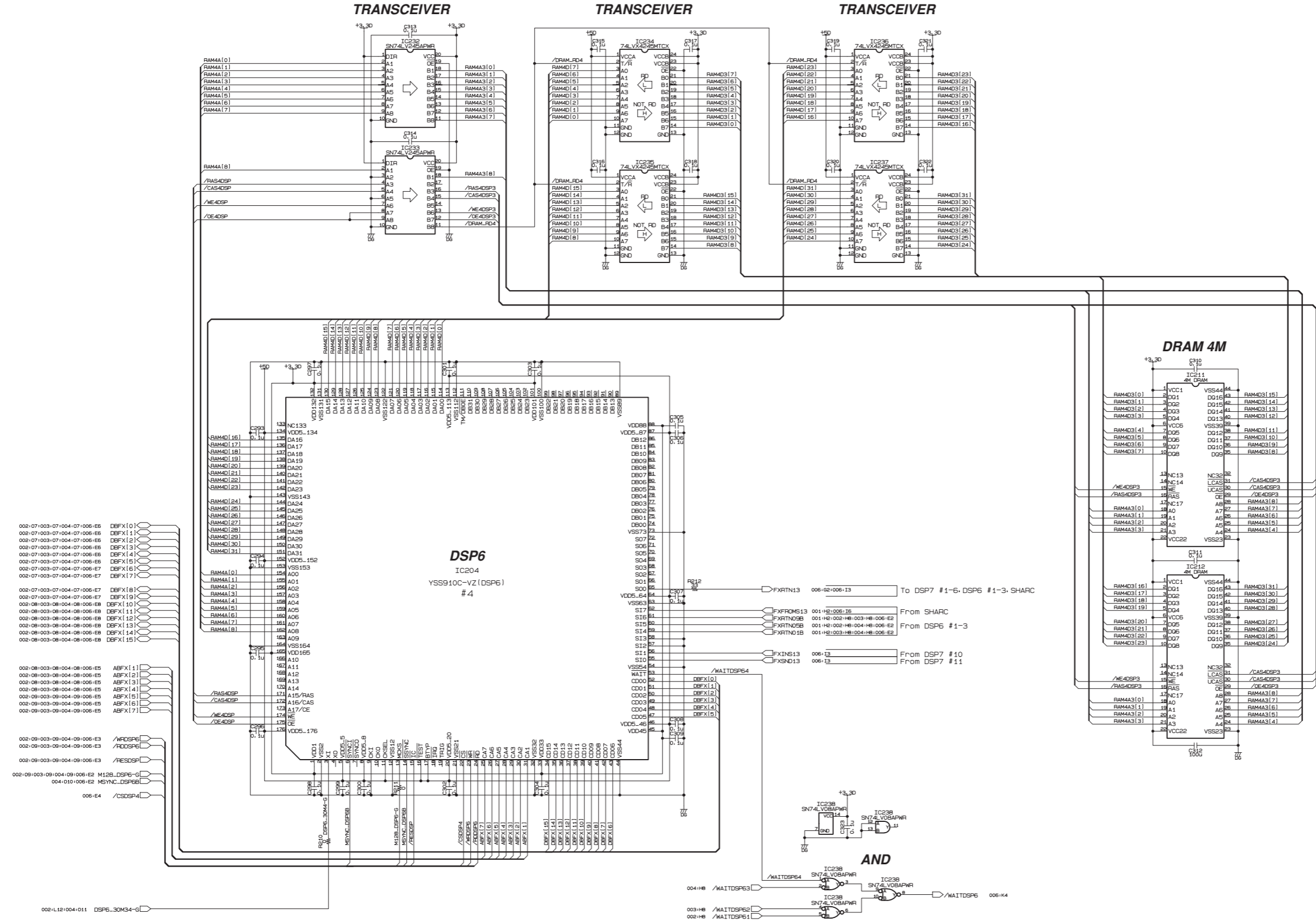


P2-5:201-400
 DSP6: IC201-204
 DRAM: IC205-212
 IC: 226-231
 R: 237-293
 C: 263-292

FX 005 CIRCUIT DIAGRAM (CL5)

CL5

1
2
3
4
5
6
7
8
9
10
11
12



P2-5:201-400
 DSP6: IC201-204
 DRAM: IC205-212
 IC: 232-238
 R: 210-212
 C: 293-323

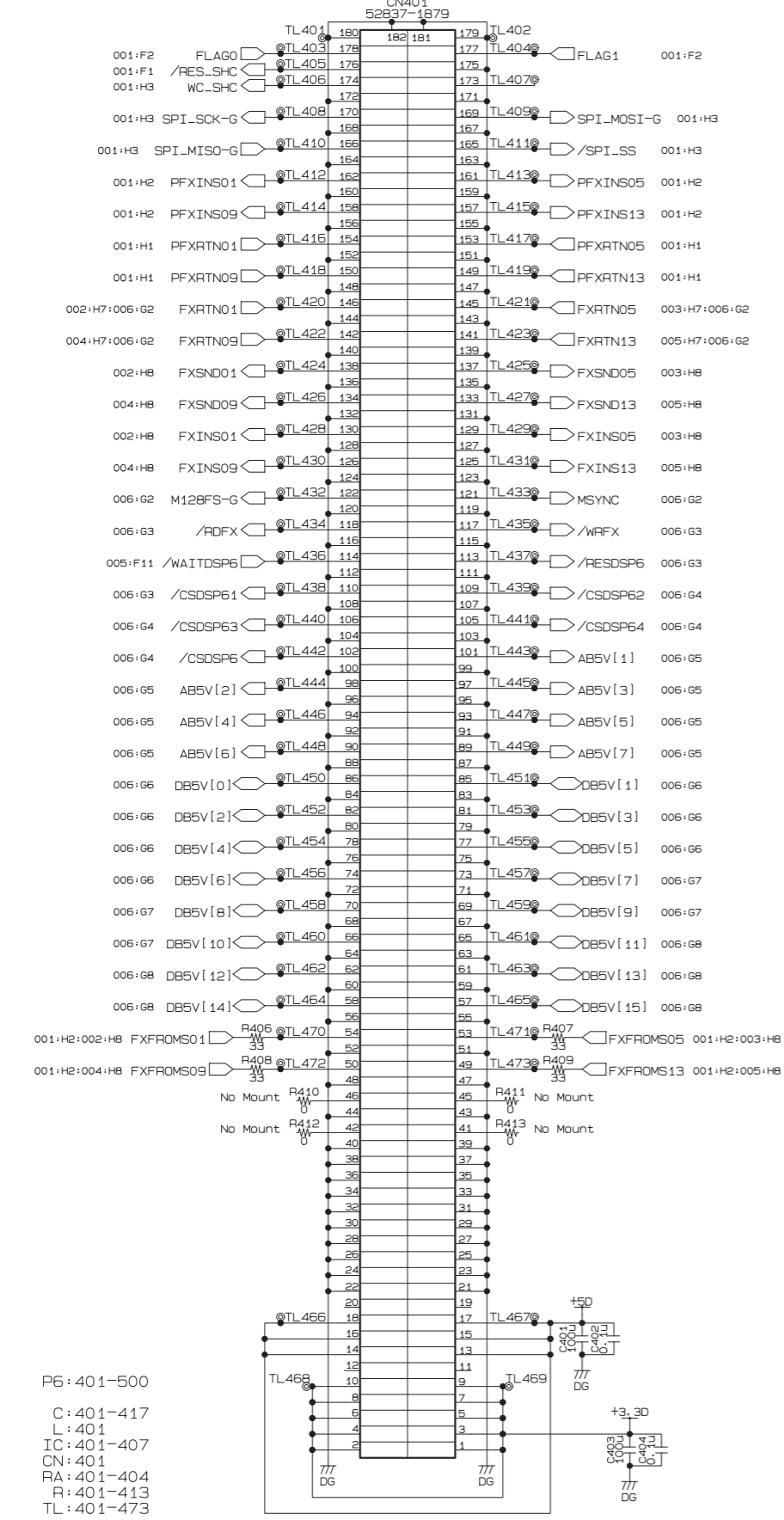
28CC1-2001088505-5

DSP6 #4

FX 005 CIRCUIT DIAGRAM (CL5)

FX 006 CIRCUIT DIAGRAM (CL5)

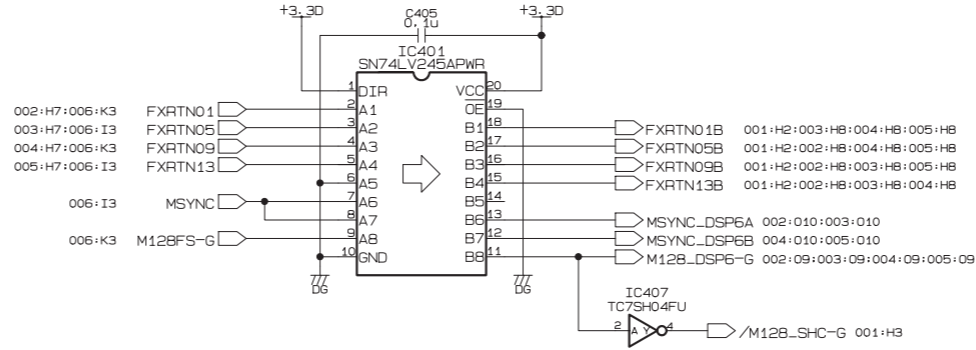
to DSP-CN451 (Page 39: C-9)



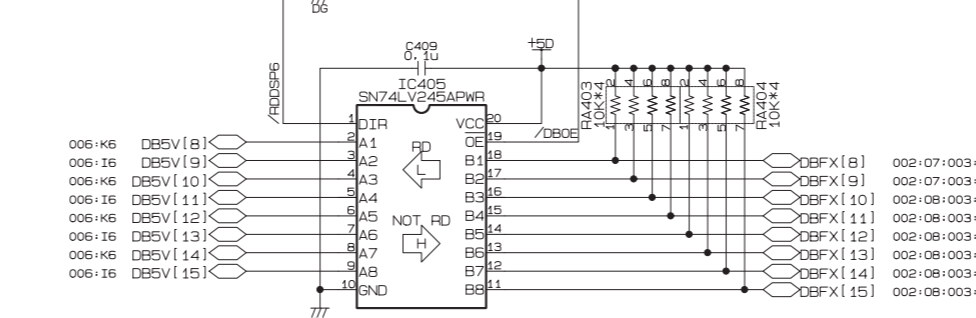
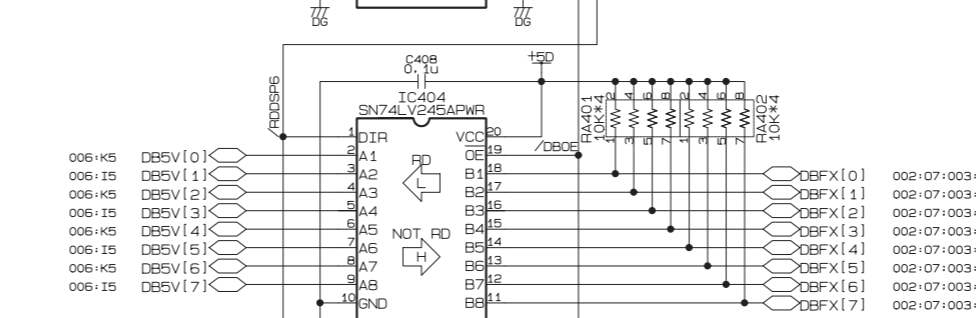
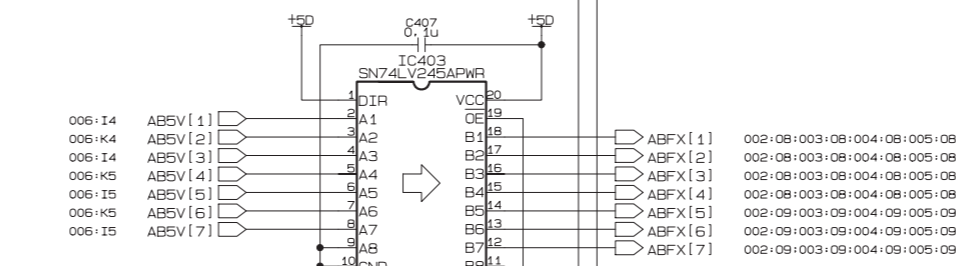
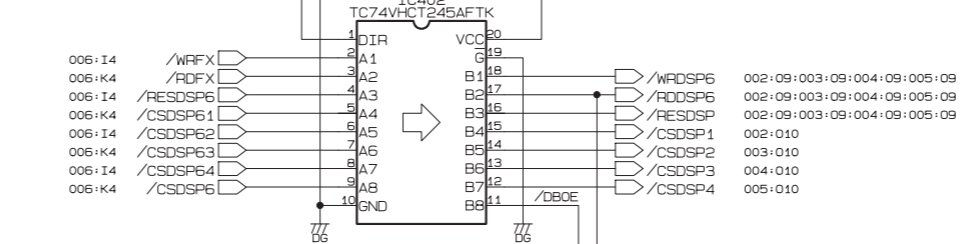
- P6: 401-500
- C: 401-417
- L: 401
- IC: 401-407
- CN: 401
- RA: 401-404
- R: 401-413
- TL: 401-473

28CC1-2001088505-6

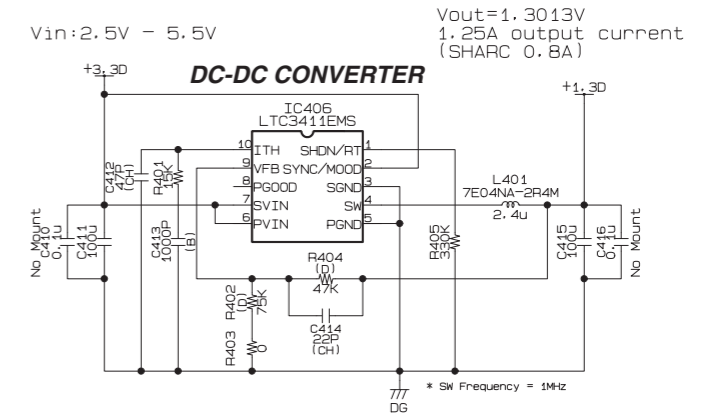
TRANSCEIVER



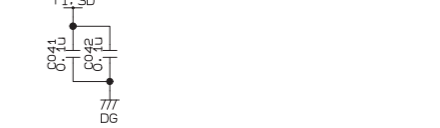
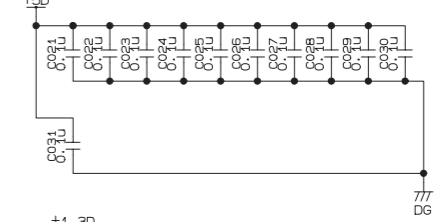
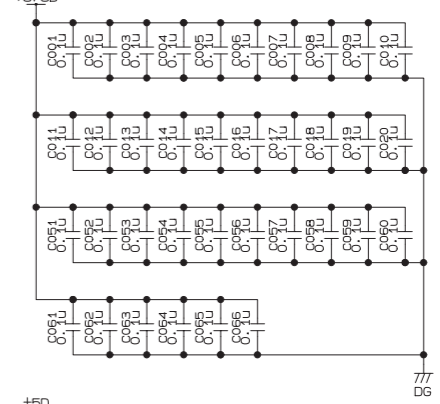
INVERTER



< 3.3V → 1.3V DC-DC Converter >



For DEMITAS correspondence : C001-C100 (DEMITAS対応)



DSP I/F, DC-DC CONVERTER

FX 006 CIRCUIT DIAGRAM (CL5)

1

2

3

4

5

6

7

8

HAAD 001 CIRCUIT DIAGRAM (CL5)

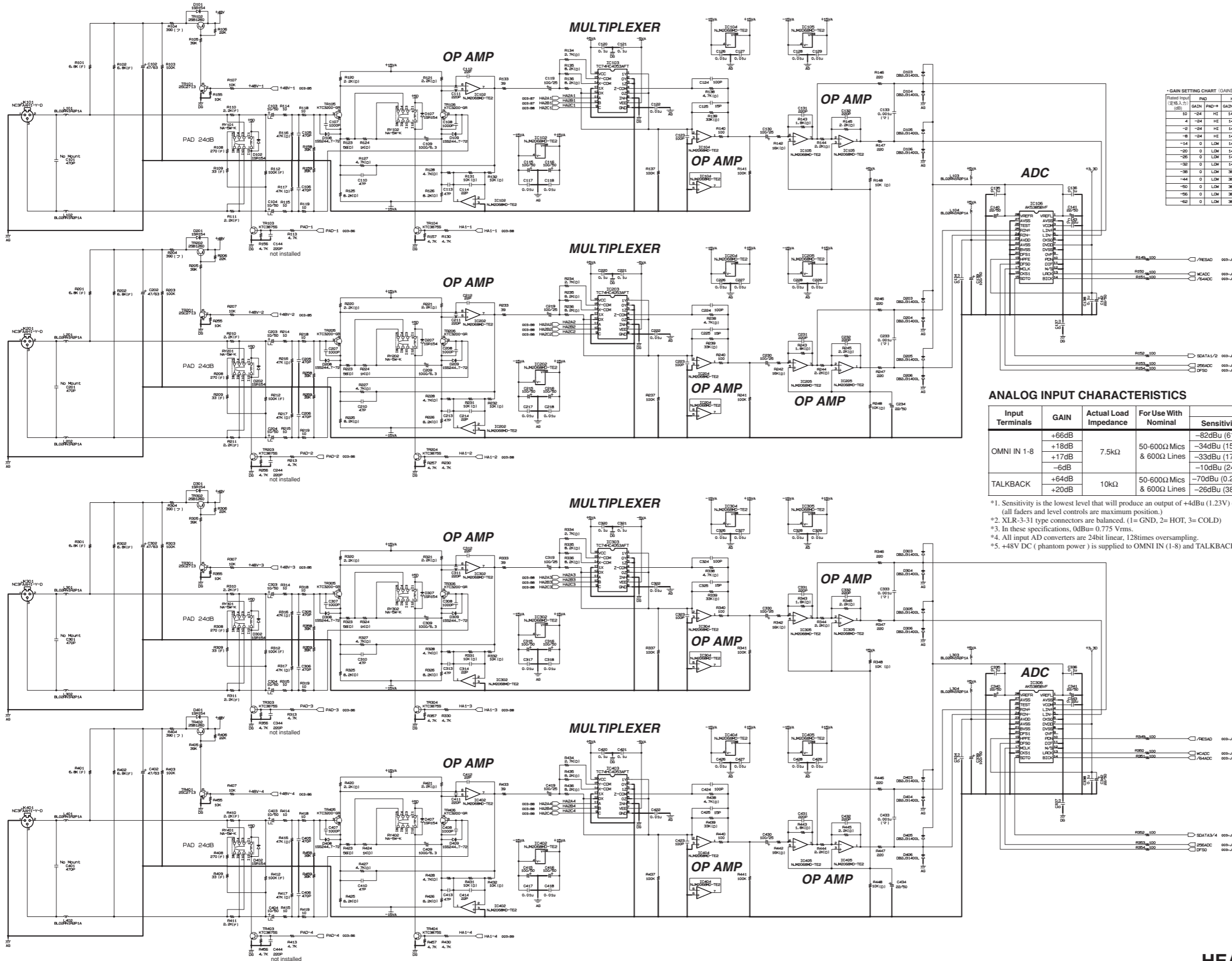
CL5

CH 1 INPUT

CH 2 INPUT

CH 3 INPUT

CH 4 INPUT



*GAIN SETTING CHART (GAIN設定表)

Gain Input (設定入力) (dB)	PAD	HAI	HAI+1	HAI+2	HAI+3	HAI+4	HAI+5	HAI+6	HAI+7	HAI+8	HAI+9	HAI+10
-24	HI	14	LOW	0	LOW	LOW	LOW	OX	Y	Z		
-4	HI	14	LOW	6	HI	LOW	OX	Y	Z			
-2	HI	14	LOW	12	HI	LOW	OX	Y	Z			
-8	HI	14	LOW	18	LOW	LOW	OX	Y	Z			
-14	0	LOW	14	LOW	0	LOW	LOW	OX	Y	Z		
-30	0	LOW	14	LOW	6	HI	HI	LOW	OX	Y	Z	
-38	0	LOW	14	LOW	12	HI	LOW	HI	OX	Y	Z	
-36	0	LOW	14	LOW	18	LOW	LOW	HI	OX	Y	Z	
-38	0	LOW	38	HI	0	LOW	LOW	OX	Y	Z		
-44	0	LOW	38	HI	6	HI	HI	LOW	OX	Y	Z	
-50	0	LOW	38	HI	12	HI	LOW	HI	OX	Y	Z	
-56	0	LOW	38	HI	18	LOW	LOW	HI	OX	Y	Z	
-62	0	LOW	38	HI	24	HI	HI	HI	OX	Y	Z	

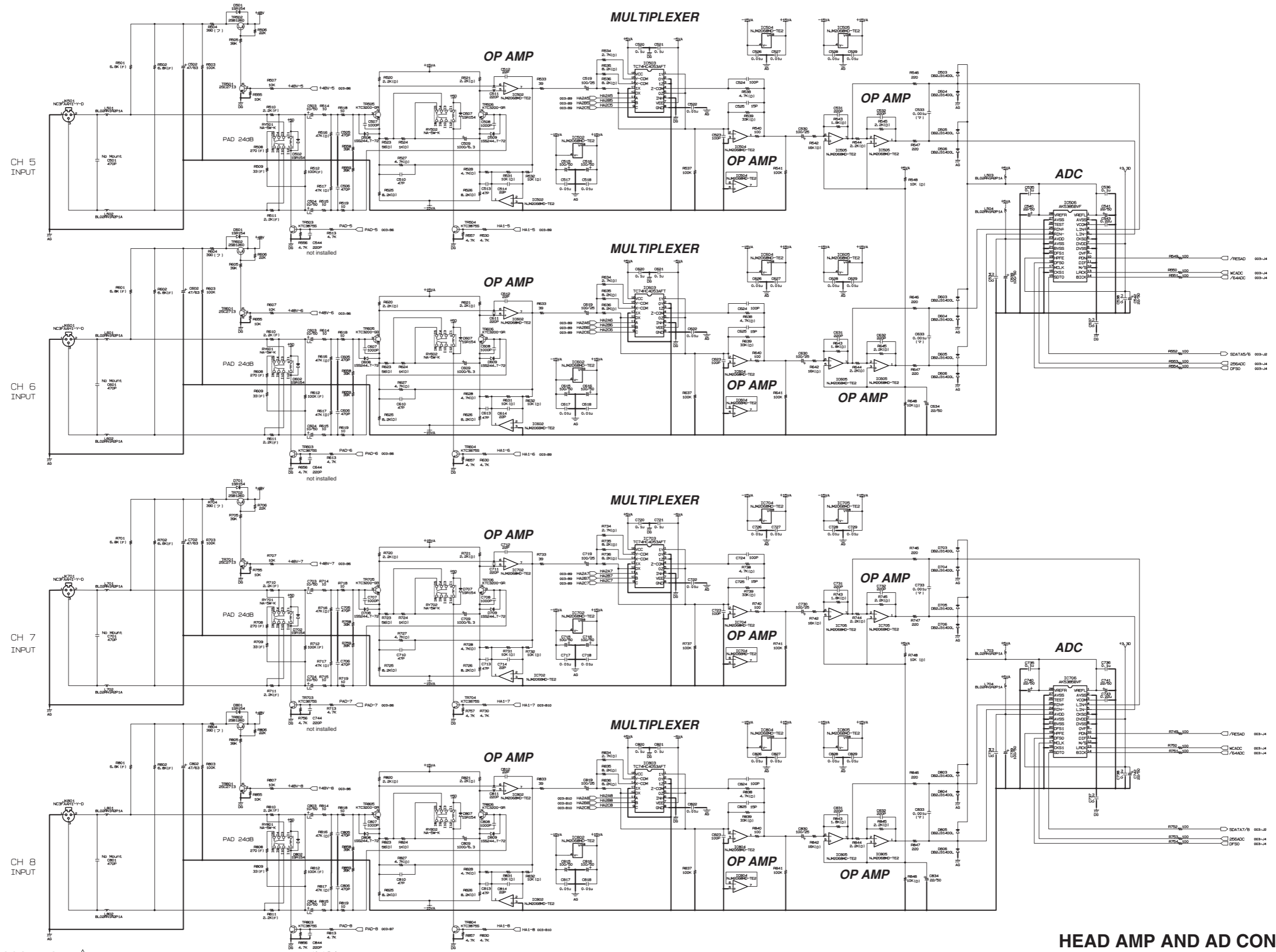
ANALOG INPUT CHARACTERISTICS

Input Terminals	GAIN	Actual Load Impedance	For Use With Nominal	Input Level			Connector
				Sensitivity *1	Nominal	Max. before clip	
OMNI IN 1-8	+6dB	7.5kΩ	50-600Ω Mics & 600Ω Lines	-82dBu (6.16μV)	-62dBu (0.616mV)	-42dBu (6.16mV)	XLR-3-31 type (Balanced)*2
	+18dB			-34dBu (15.5mV)	-14dBu (155mV)	+6dBu (1.55V)	
	+17dB			-33dBu (17.4mV)	-13dBu (174mV)	+7dBu (1.74V)	
TALKBACK	-6dB	10kΩ	50-600Ω Mics & 600Ω Lines	-10dBu (245mV)	+10dBu (2.45V)	+30dBu (24.5V)	XLR-3-31 type (Balanced)*2
	+64dB			-70dBu (0.245mV)	-60dBu (0.775mV)	-40dBu (7.75mV)	
	+20dB			-26dBu (38.8mV)	-16dBu (0.123V)	+4dBu (1.23V)	

*1. Sensitivity is the lowest level that will produce an output of +4dBu (1.23V) or the nominal output level when the unit is set to maximum gain. (all faders and level controls are maximum position.)
 *2. XLR-3-31 type connectors are balanced. (1= GND, 2= HOT, 3= COLD)
 *3. In these specifications, 0dBu= 0.775 Vrms.
 *4. All input AD converters are 24bit linear, 128times oversampling.
 *5. +48V DC (phantom power) is supplied to OMNI IN (1-8) and TALKBACK XLR type connectors via each individual software controlled switches.

HAAD 002 CIRCUIT DIAGRAM (CL5)

CL5



28CC1-2001089251-2



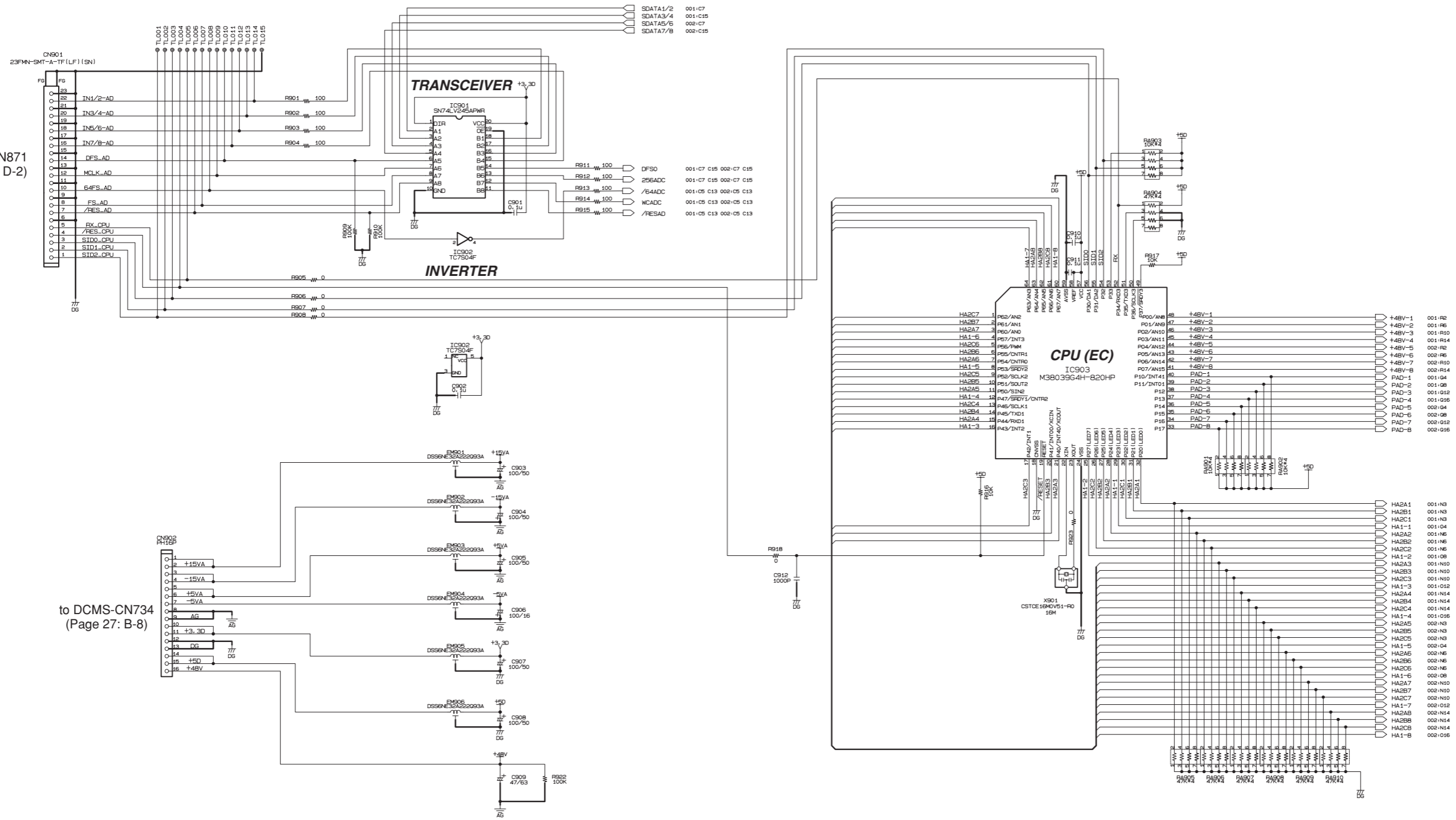
HEAD AMP AND AD CONVERTER HAAD 002 CIRCUIT DIAGRAM (CL5)

HAAD 003 CIRCUIT DIAGRAM (CL5)

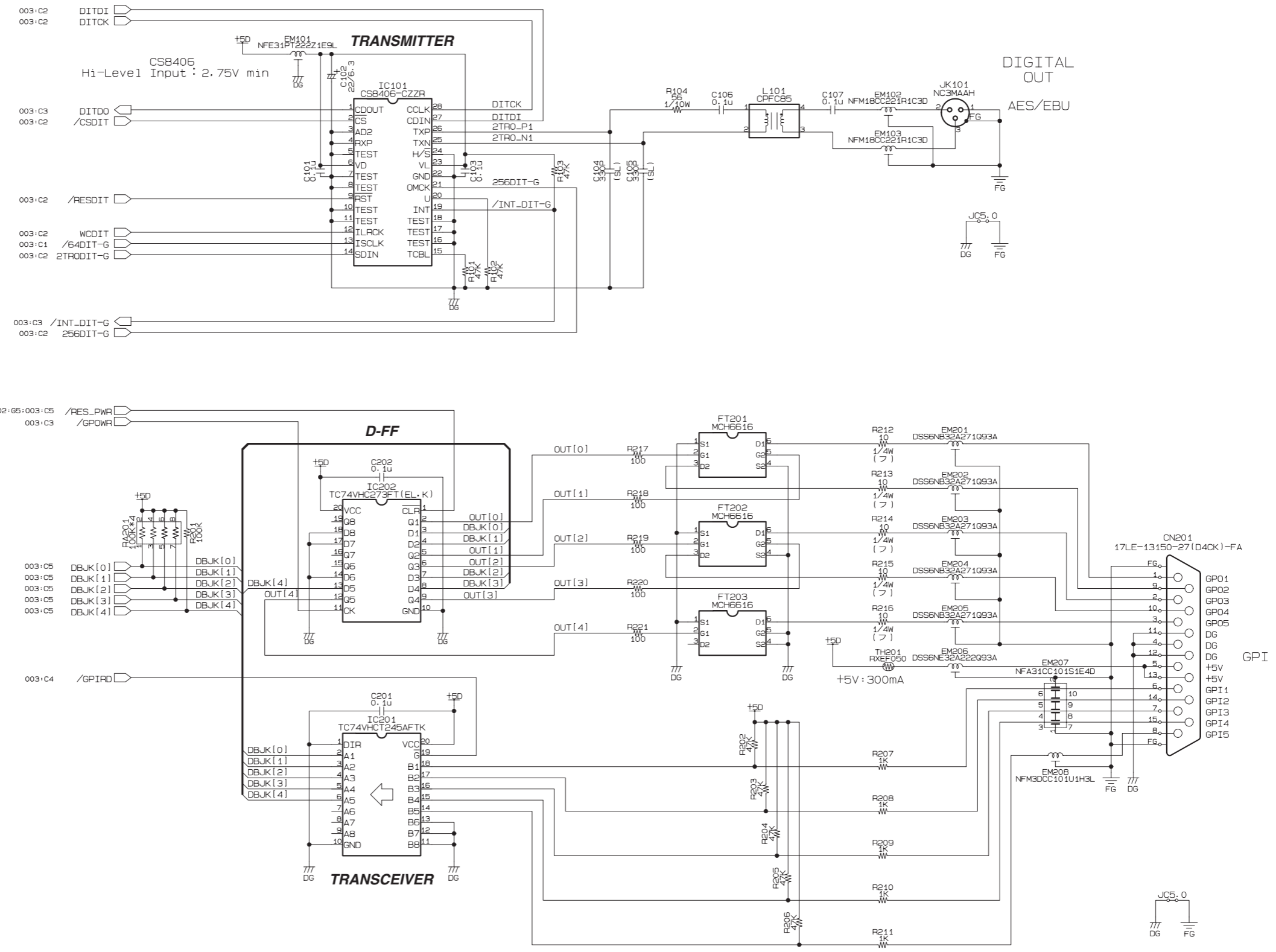
CL5

to DSP-CN871
(Page 45: D-2)

to DCMS-CN734
(Page 27: B-8)



JK 001 CIRCUIT DIAGRAM (CL5)



JK 002 CIRCUIT DIAGRAM (CL5)

CL5

1

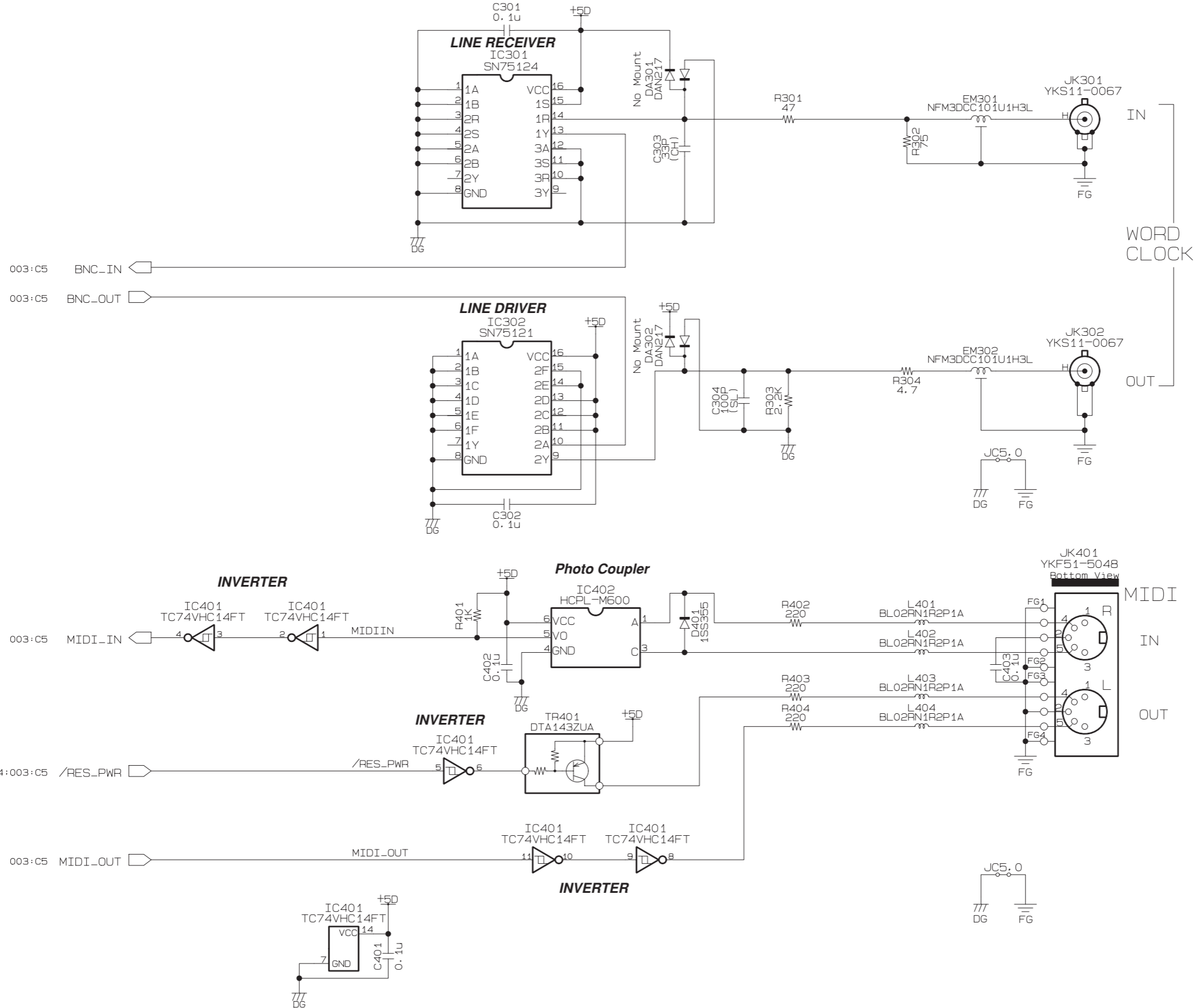
2

3

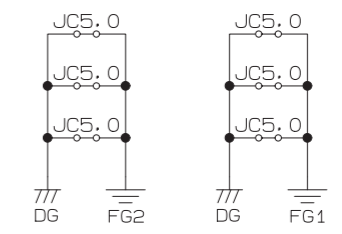
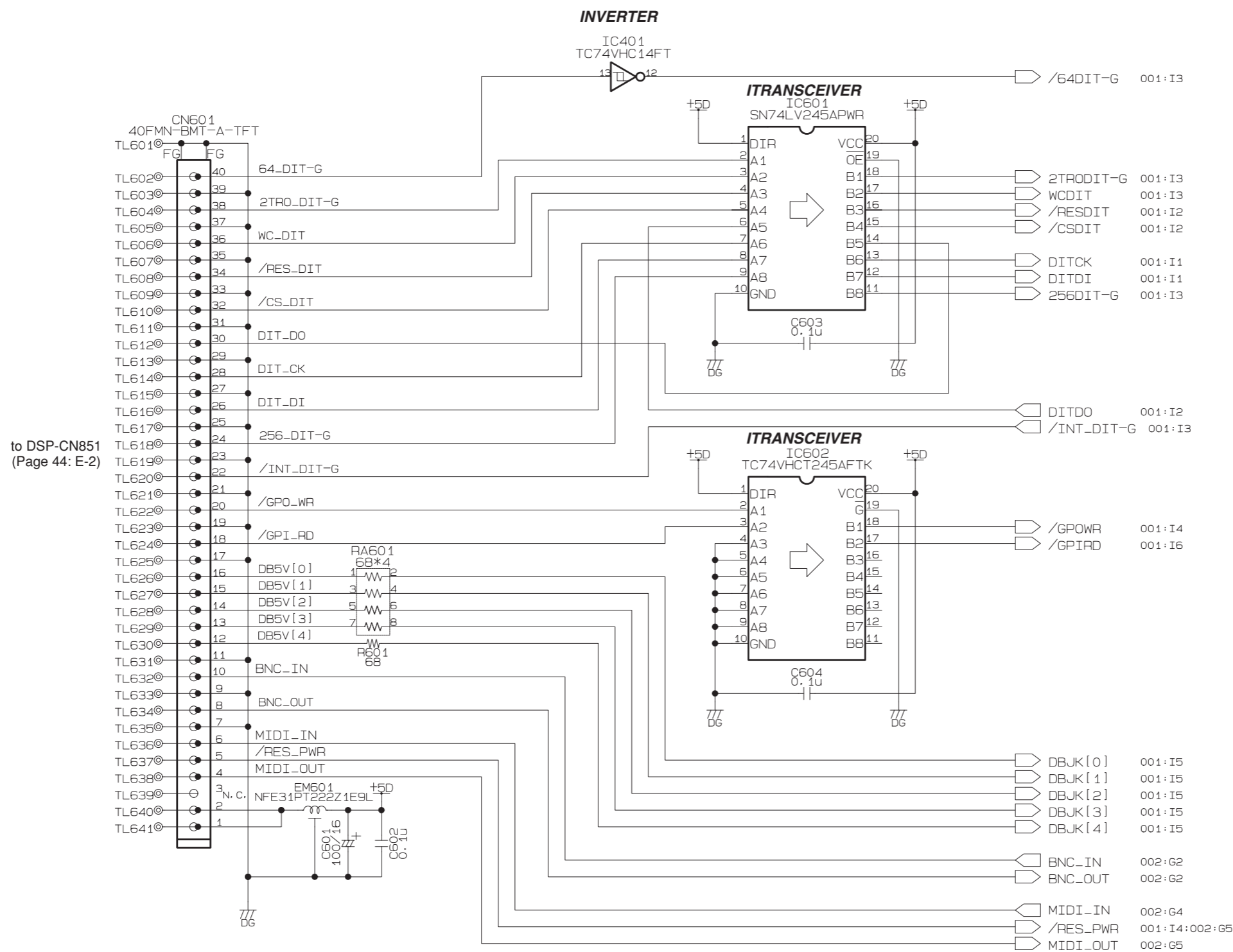
4

5

6



JK 003 CIRCUIT DIAGRAM (CL5)



1

2

3

4

5

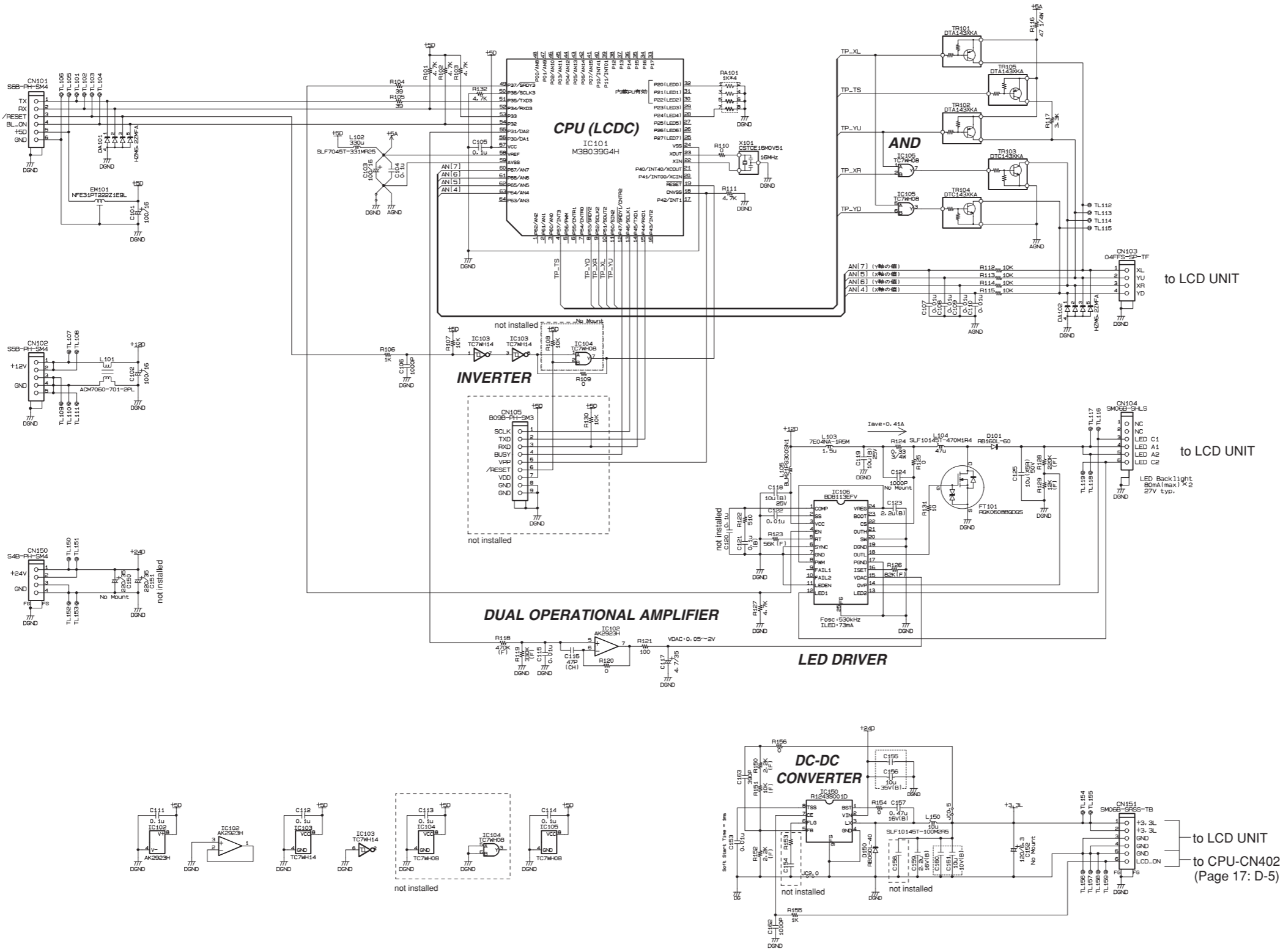
6

LCDCOM (LCDC) 001 CIRCUIT DIAGRAM (CL5)

to DSP-CN102
(Page 35: L-10)

to DCMS-CN401
(Page 26: B-2)

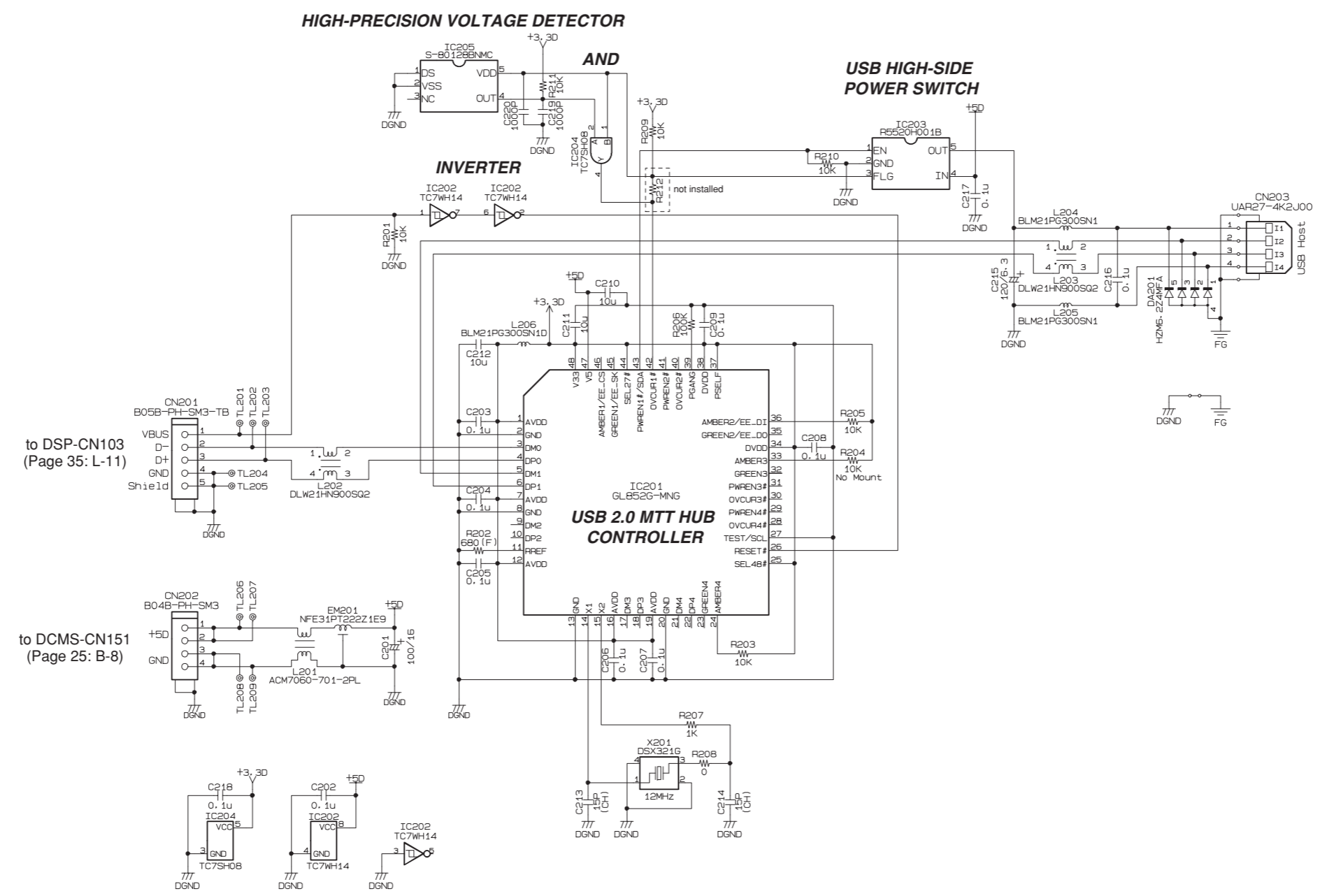
to DCMS-CN085
(Page 25: H-6)



TOUCH PANEL CONTROL, LED BACKLIGHT DRIVE, LCD POWER SUPPLY
LCDCOM (LCDC) 001 CIRCUIT DIAGRAM (CL5)

LCDCOM (USB) 002 CIRCUIT DIAGRAM (CL5)

CL5

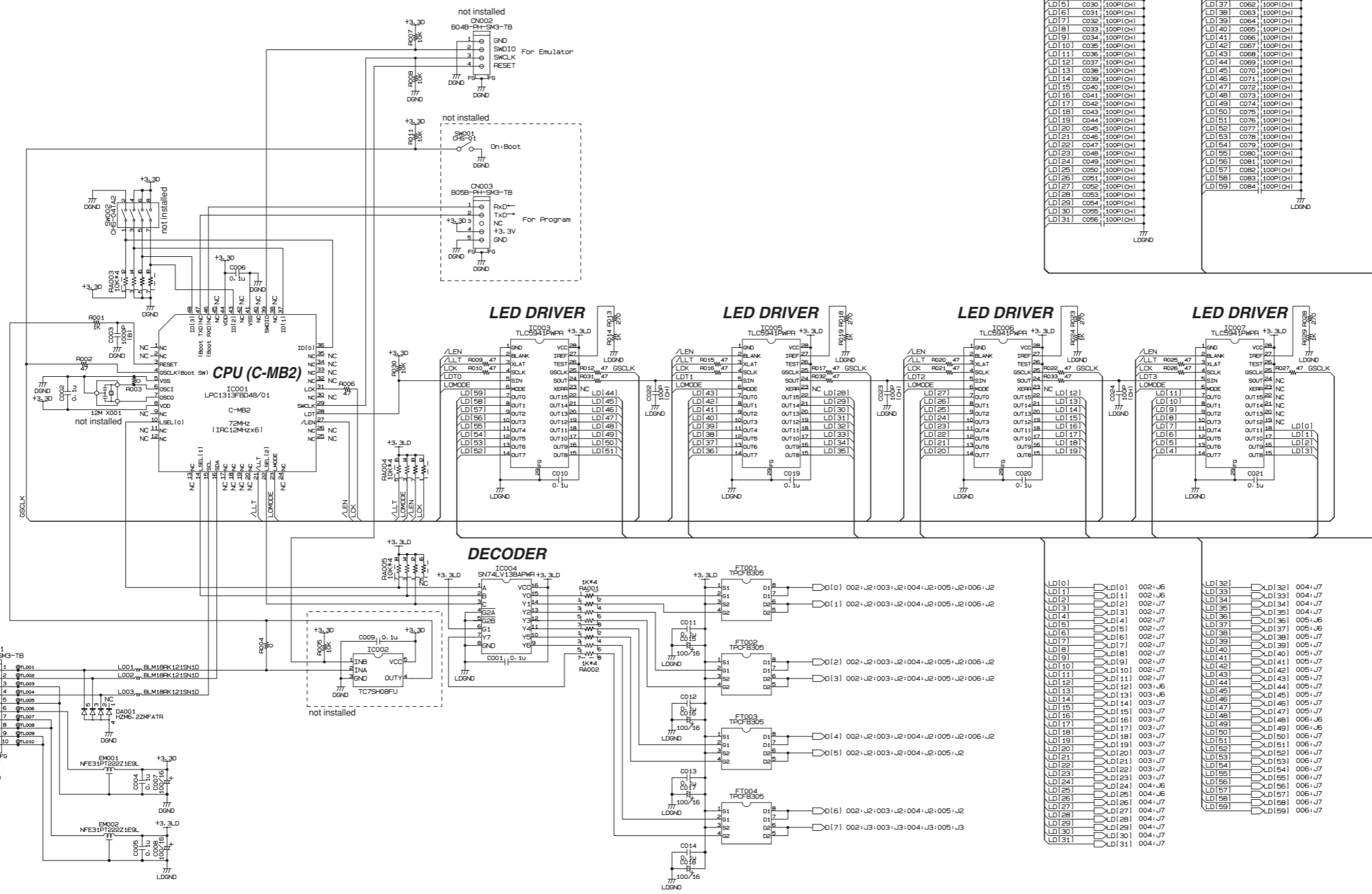


MB 001 CIRCUIT DIAGRAM (CL5)

CL5

LD[0]	0026	100PI(H)
LD[1]	0026	100PI(H)
LD[2]	0027	100PI(H)
LD[3]	0028	100PI(H)
LD[4]	0029	100PI(H)
LD[5]	0030	100PI(H)
LD[6]	0031	100PI(H)
LD[7]	0032	100PI(H)
LD[8]	0033	100PI(H)
LD[9]	0034	100PI(H)
LD[10]	0035	100PI(H)
LD[11]	0036	100PI(H)
LD[12]	0037	100PI(H)
LD[13]	0038	100PI(H)
LD[14]	0039	100PI(H)
LD[15]	0040	100PI(H)
LD[16]	0041	100PI(H)
LD[17]	0042	100PI(H)
LD[18]	0043	100PI(H)
LD[19]	0044	100PI(H)
LD[20]	0045	100PI(H)
LD[21]	0046	100PI(H)
LD[22]	0047	100PI(H)
LD[23]	0048	100PI(H)
LD[24]	0049	100PI(H)
LD[25]	0050	100PI(H)
LD[26]	0051	100PI(H)
LD[27]	0052	100PI(H)
LD[28]	0053	100PI(H)
LD[29]	0054	100PI(H)
LD[30]	0055	100PI(H)
LD[31]	0056	100PI(H)

LD[32]	0057	100PI(H)
LD[33]	0058	100PI(H)
LD[34]	0059	100PI(H)
LD[35]	0060	100PI(H)
LD[36]	0061	100PI(H)
LD[37]	0062	100PI(H)
LD[38]	0063	100PI(H)
LD[39]	0064	100PI(H)
LD[40]	0065	100PI(H)
LD[41]	0066	100PI(H)
LD[42]	0067	100PI(H)
LD[43]	0068	100PI(H)
LD[44]	0069	100PI(H)
LD[45]	0070	100PI(H)
LD[46]	0071	100PI(H)
LD[47]	0072	100PI(H)
LD[48]	0073	100PI(H)
LD[49]	0074	100PI(H)
LD[50]	0075	100PI(H)
LD[51]	0076	100PI(H)
LD[52]	0077	100PI(H)
LD[53]	0078	100PI(H)
LD[54]	0079	100PI(H)
LD[55]	0080	100PI(H)
LD[56]	0081	100PI(H)
LD[57]	0082	100PI(H)
LD[58]	0083	100PI(H)
LD[59]	0084	100PI(H)



to DSP-CN705
(Page 42: A-3)

to DCMS-CN131
(Page 25: B-5)

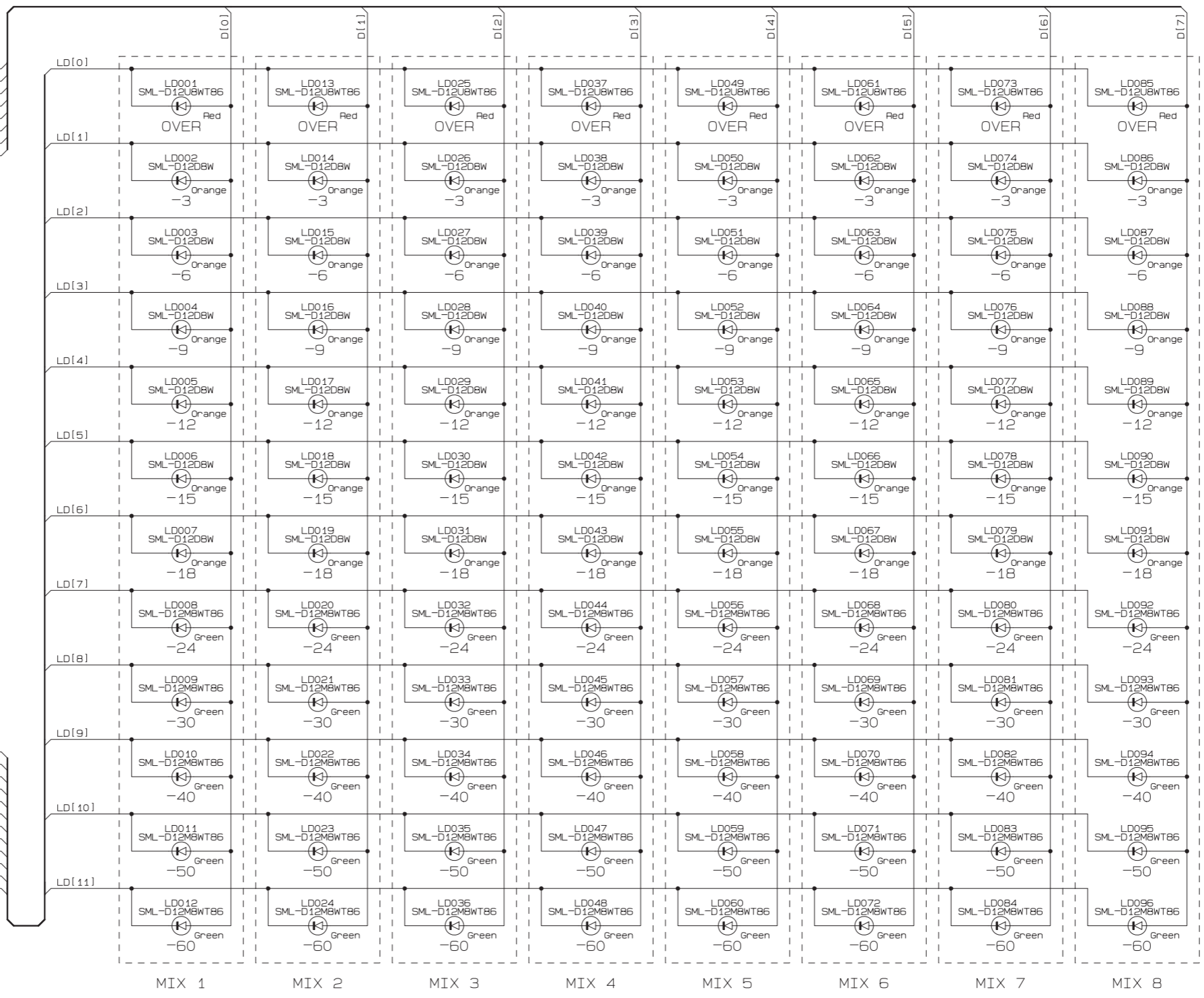
HOST I/F, CONTROLLER (C-MB2), LED SINK/SOURCE DRIVER
MB 001 CIRCUIT DIAGRAM (CL5)

MB 002 CIRCUIT DIAGRAM (CL5)

CL5

001:G8:003:J2:004:J2:005:J2:006:J2 D[0]
 001:G8:003:J2:004:J2:005:J2:006:J2 D[1]
 001:G8:003:J2:004:J2:005:J2:006:J2 D[2]
 001:G9:003:J2:004:J2:005:J2:006:J2 D[3]
 001:G9:003:J2:004:J2:005:J2:006:J2 D[4]
 001:G9:003:J2:004:J2:005:J2:006:J2 D[5]
 001:G10:003:J3:004:J3:005:J3 D[6]
 001:G10:003:J3:004:J3:005:J3 D[7]

001:DB LD[0]
 001:DB LD[1]
 001:DB LD[2]
 001:DB LD[3]
 001:DB LD[4]
 001:DB LD[5]
 001:DB LD[6]
 001:DB LD[7]
 001:DB LD[8]
 001:DB LD[9]
 001:DB LD[10]
 001:DB LD[11]



MB 003 CIRCUIT DIAGRAM (CL5)

CL5

1

2

3

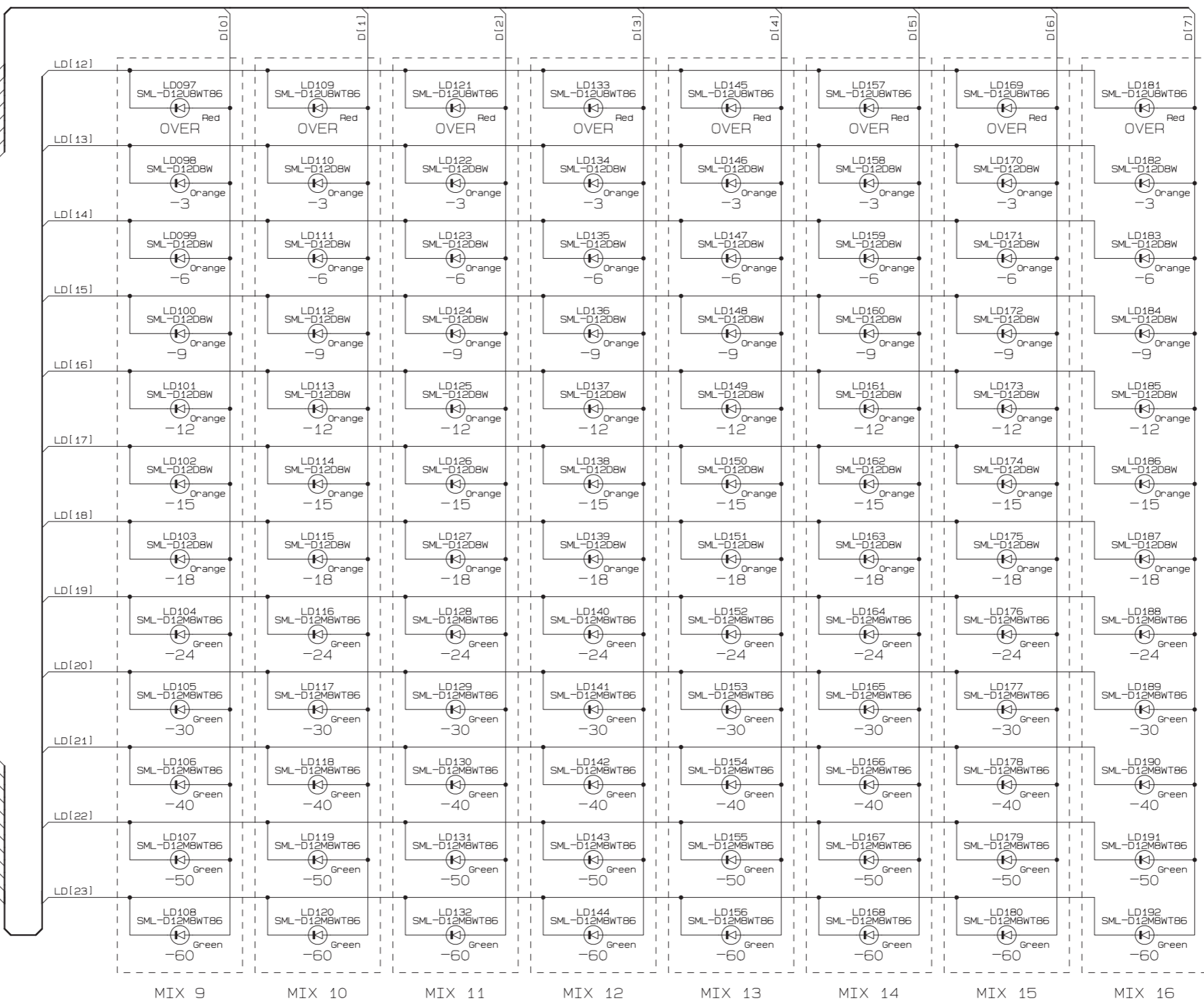
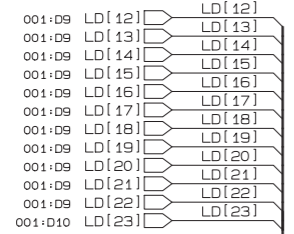
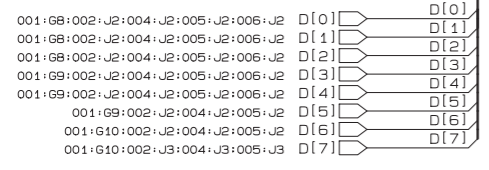
4

5

6

7

8

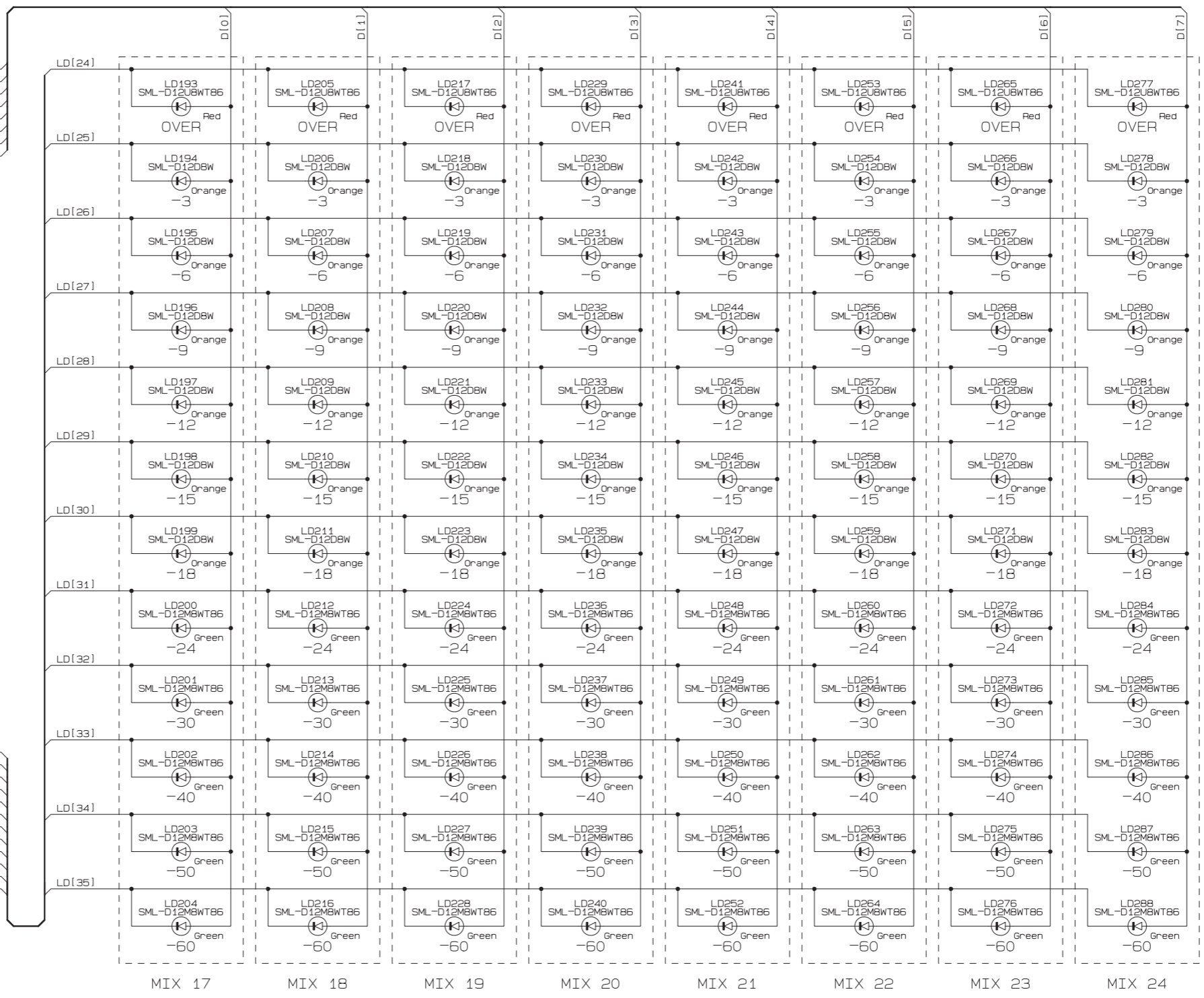


■ MB 004 CIRCUIT DIAGRAM (CL5)

CL5

001:G8:002:J2:003:J2:005:J2:006:J2 D[0]
 001:G8:002:J2:003:J2:005:J2:006:J2 D[1]
 001:G8:002:J2:003:J2:005:J2:006:J2 D[2]
 001:G8:002:J2:003:J2:005:J2:006:J2 D[3]
 001:G8:002:J2:003:J2:005:J2:006:J2 D[4]
 001:G9:002:J2:003:J2:005:J2:006:J2 D[5]
 001:G9:002:J2:003:J2:005:J2 D[6]
 001:G10:002:J2:003:J2:005:J2 D[7]

001:D10 LD[24]
 001:D10 LD[25]
 001:D10 LD[26]
 001:D10 LD[27]
 001:D10 LD[28]
 001:D10 LD[29]
 001:D10 LD[30]
 001:D10 LD[31]
 001:CB LD[32]
 001:CB LD[33]
 001:CB LD[34]
 001:CB LD[35]



MB 005 CIRCUIT DIAGRAM (CL5)

CL5

1

2

3

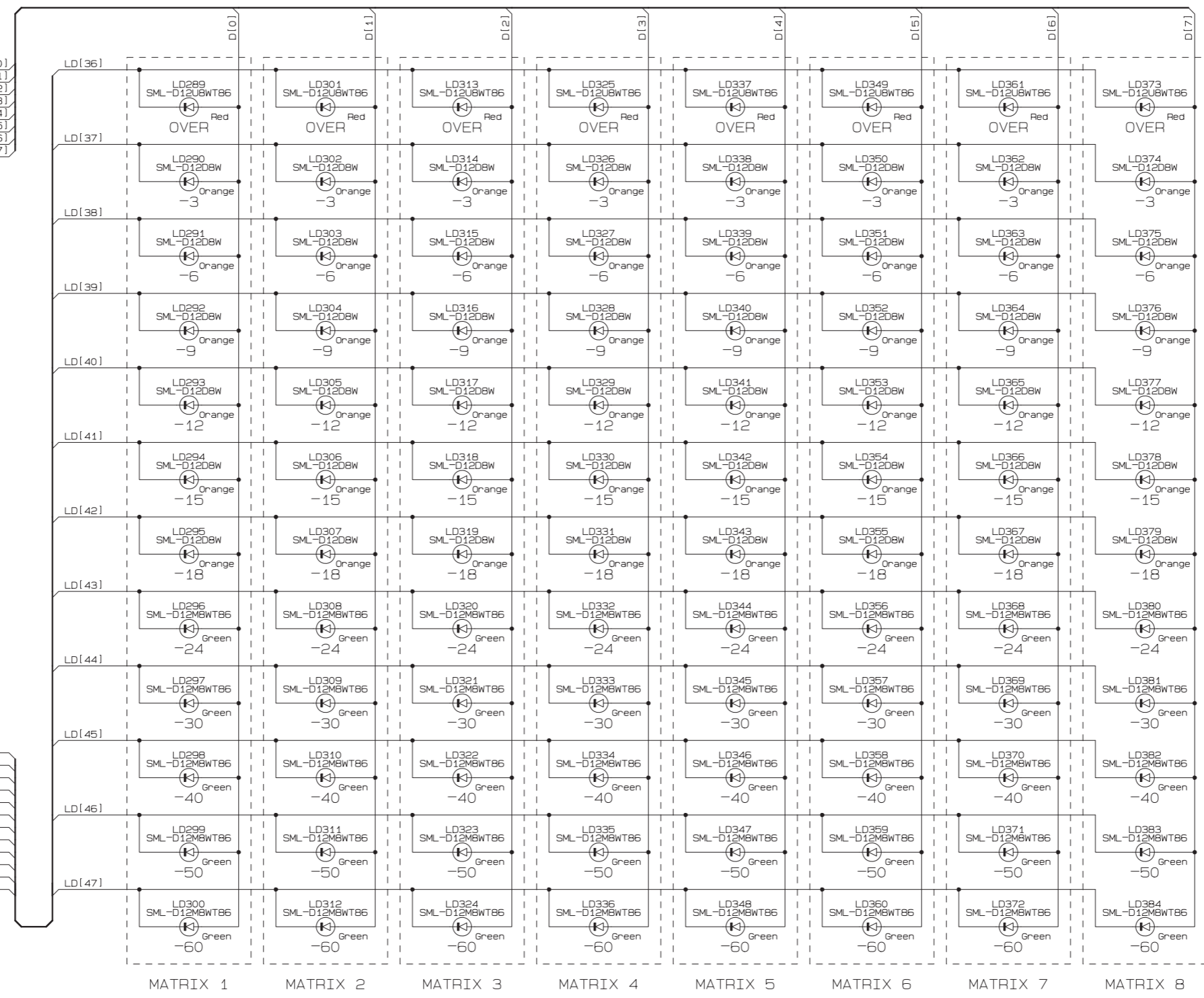
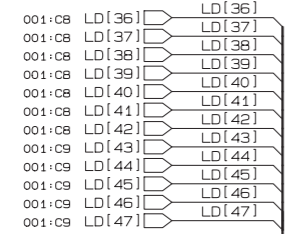
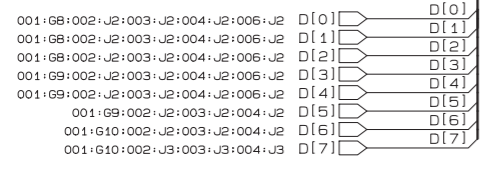
4

5

6

7

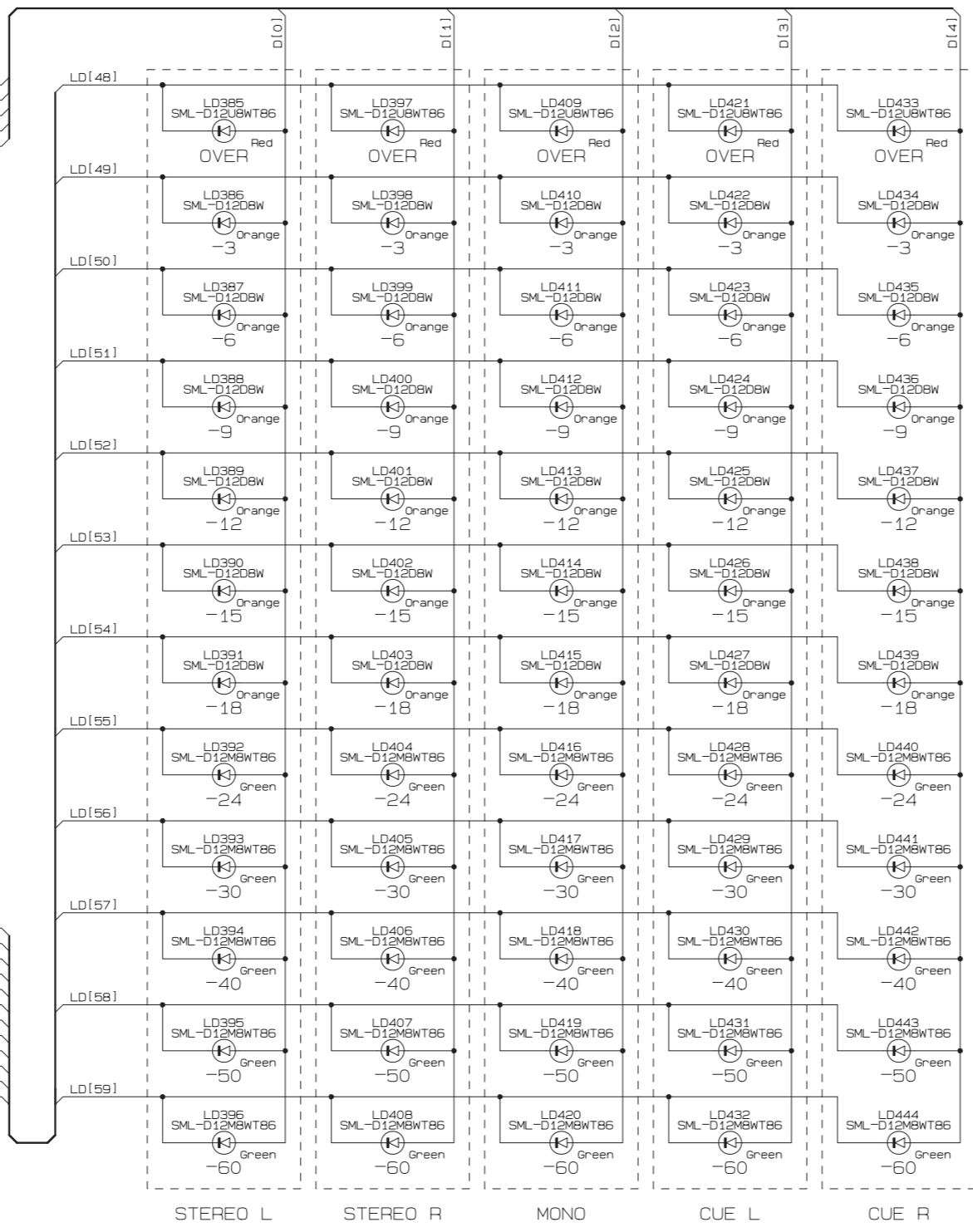
8



MB 006 CIRCUIT DIAGRAM (CL5)

001:G8:002:J2:003:J2:004:J2:005:J2 D[0]
 001:G8:002:J2:003:J2:004:J2:005:J2 D[1]
 001:G8:002:J2:003:J2:004:J2:005:J2 D[2]
 001:G8:002:J2:003:J2:004:J2:005:J2 D[3]
 001:G8:002:J2:003:J2:004:J2:005:J2 D[4]

001:C9 LD[48]
 001:C9 LD[49]
 001:C9 LD[50]
 001:C9 LD[51]
 001:C9 LD[52]
 001:C9 LD[53]
 001:C9 LD[54]
 001:C9 LD[55]
 001:C10 LD[56]
 001:C10 LD[57]
 001:C10 LD[58]
 001:C10 LD[59]



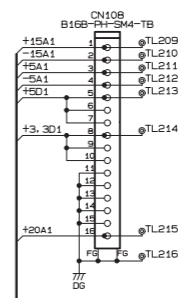
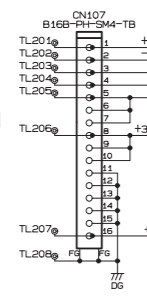
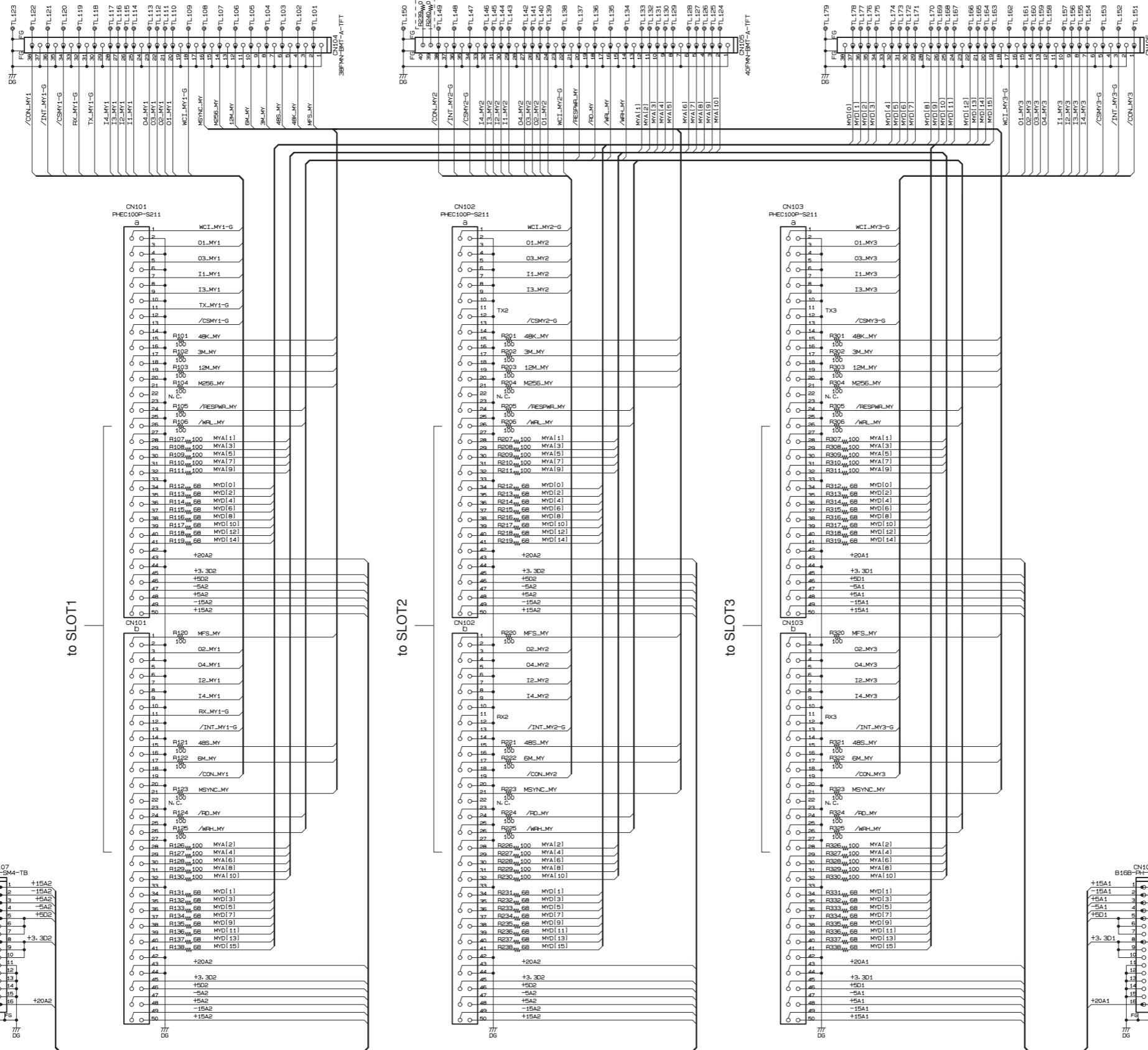
OPT CIRCUIT DIAGRAM (CL5)

to DSP-CN751 (Page 43: L-6)

to DSP-CN752 (Page 43: G-6)

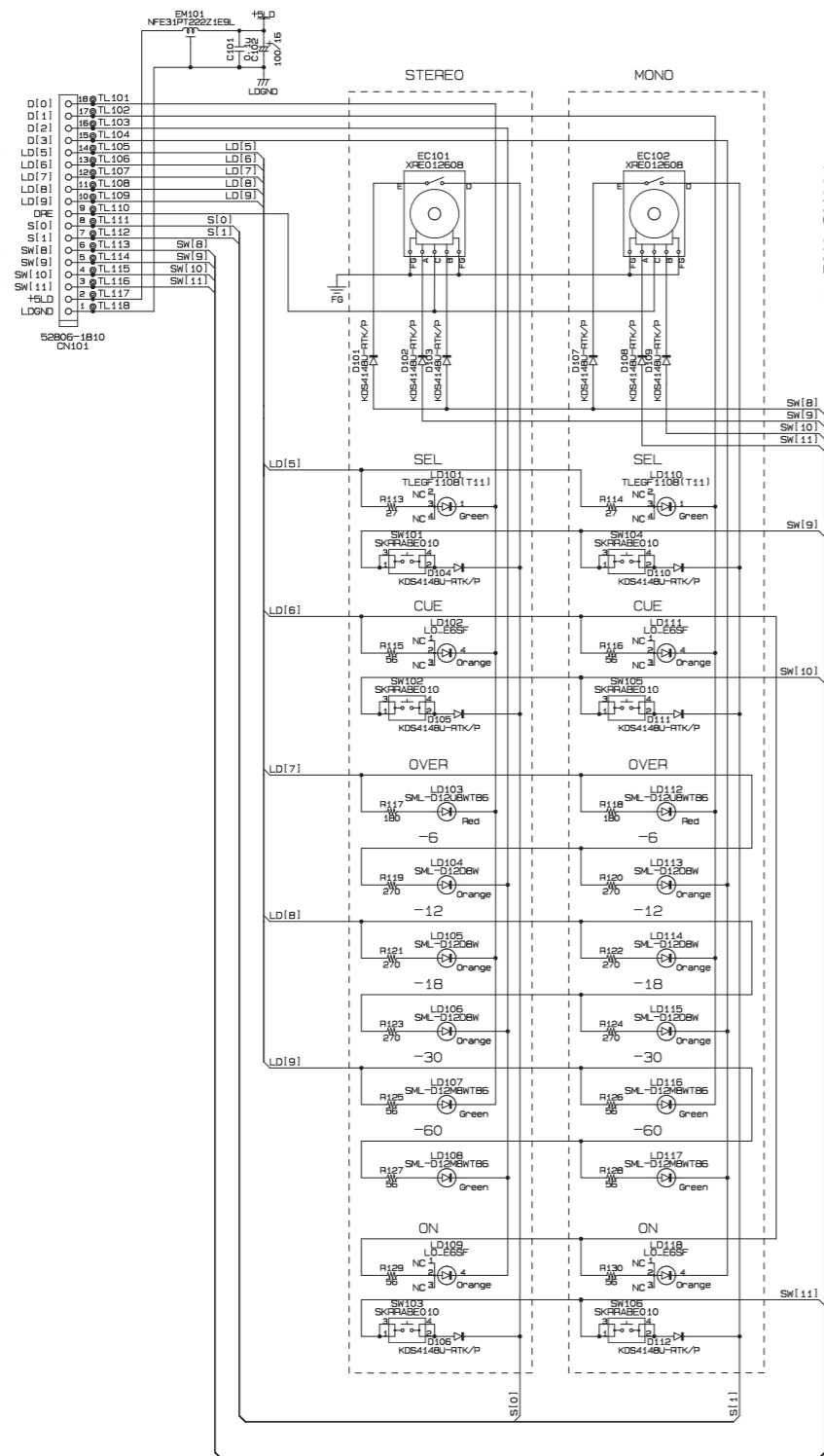
to DSP-CN753 (Page 43: A-6)

CL5

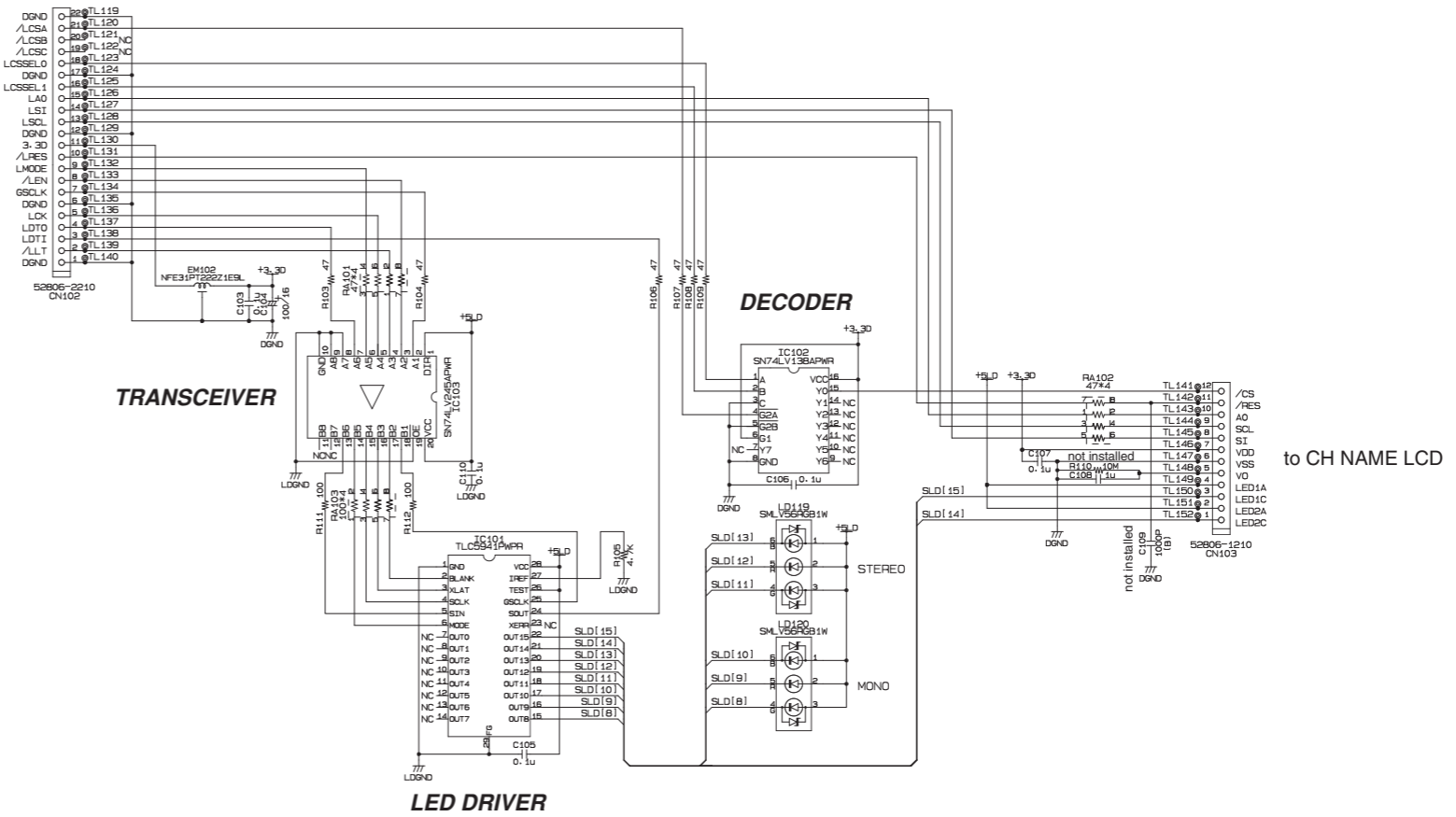


PN2 CIRCUIT DIAGRAM (CL5)

to PNM-CN003
(Page 79: B-10)



to PN8-CN004
(Page 74: O-1)

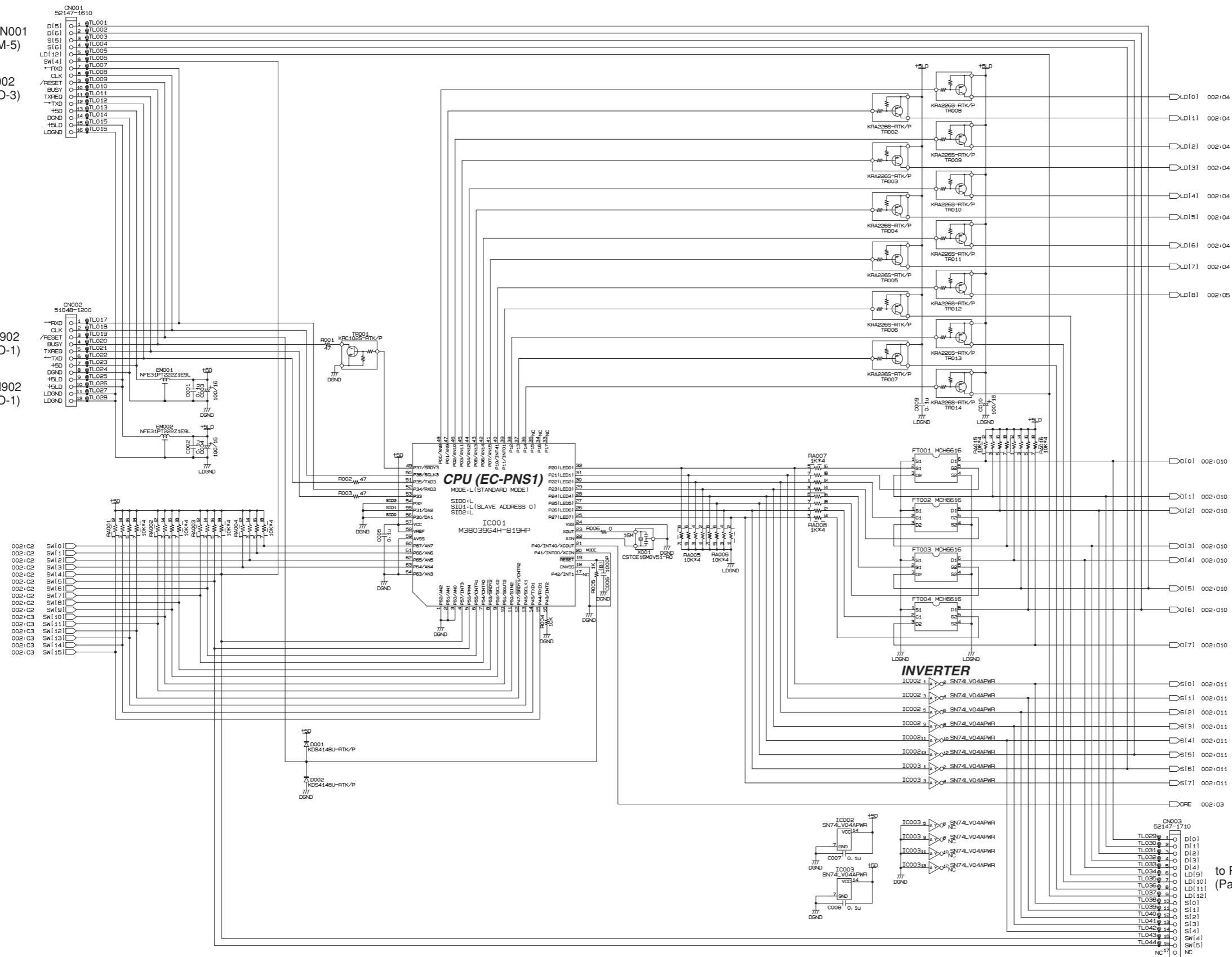


PN8 001 CIRCUIT DIAGRAM (CL5)

to PNENL-CN001 (Page 75: M-5) or PNM-CN002 (Page 79: O-3) or N.C.

to FD8-CN902 (Page 47: O-1) or FD8CN-CN902 (Page 47: O-1)

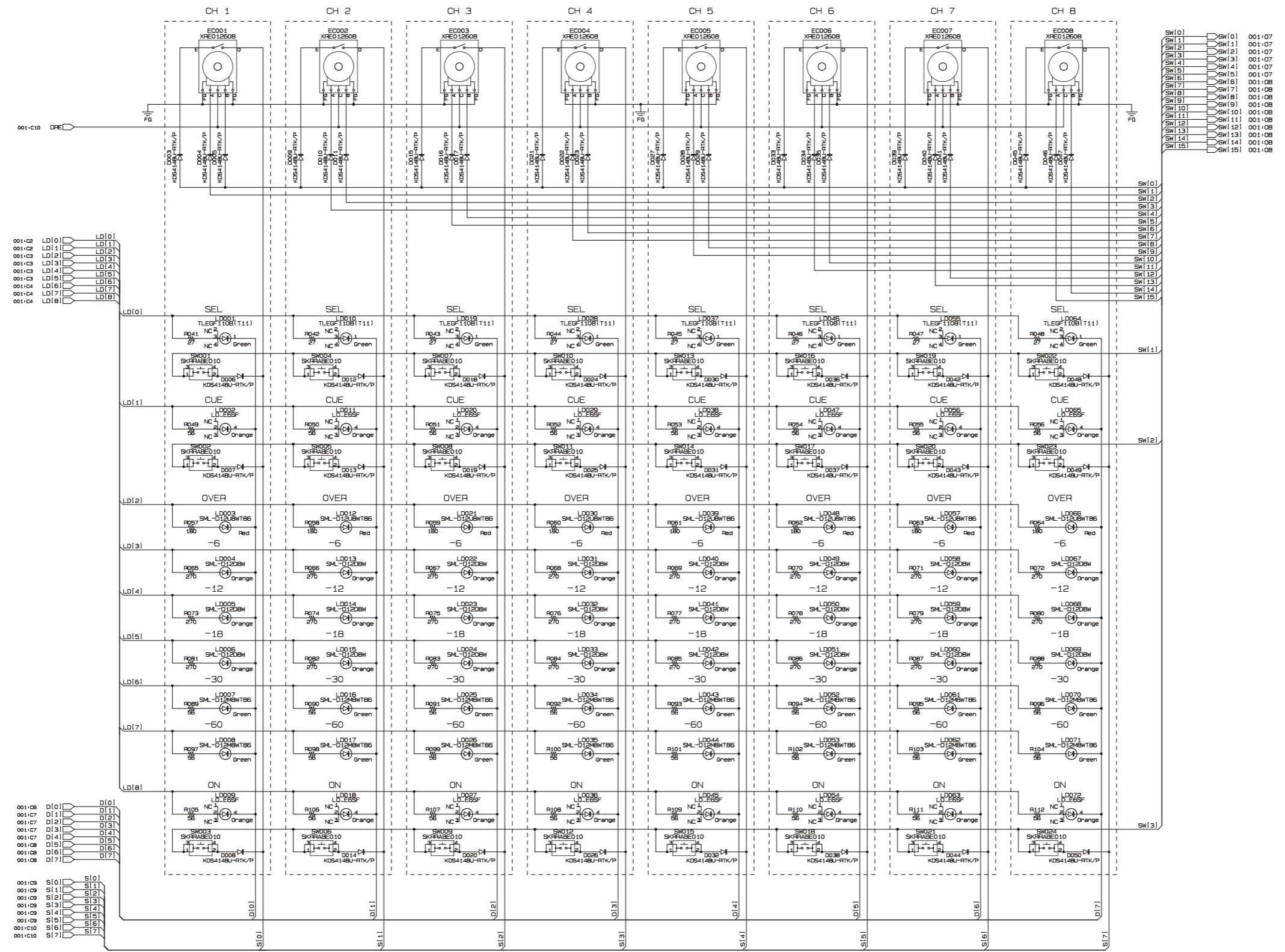
to PNI-CN001 (Page 78: J-1) or N.C.



FD8 I/F (E-BUS Ext I/F), PNENL/PNM I/F, PNI I/F, CONTROLLER (EC-PNS1), LED SINK/SOURCE DRIVER PN8 001 CIRCUIT DIAGRAM (CL5)

PN8 002 CIRCUIT DIAGRAM (CL5)

CL5



PN8 003 CIRCUIT DIAGRAM (CL5)

CL5

to PN8-CN005 (Page 74: C-1) or to PNM-CN004 (Page 81: O-1) or to PN2-CN102 (Page 71: J-3)

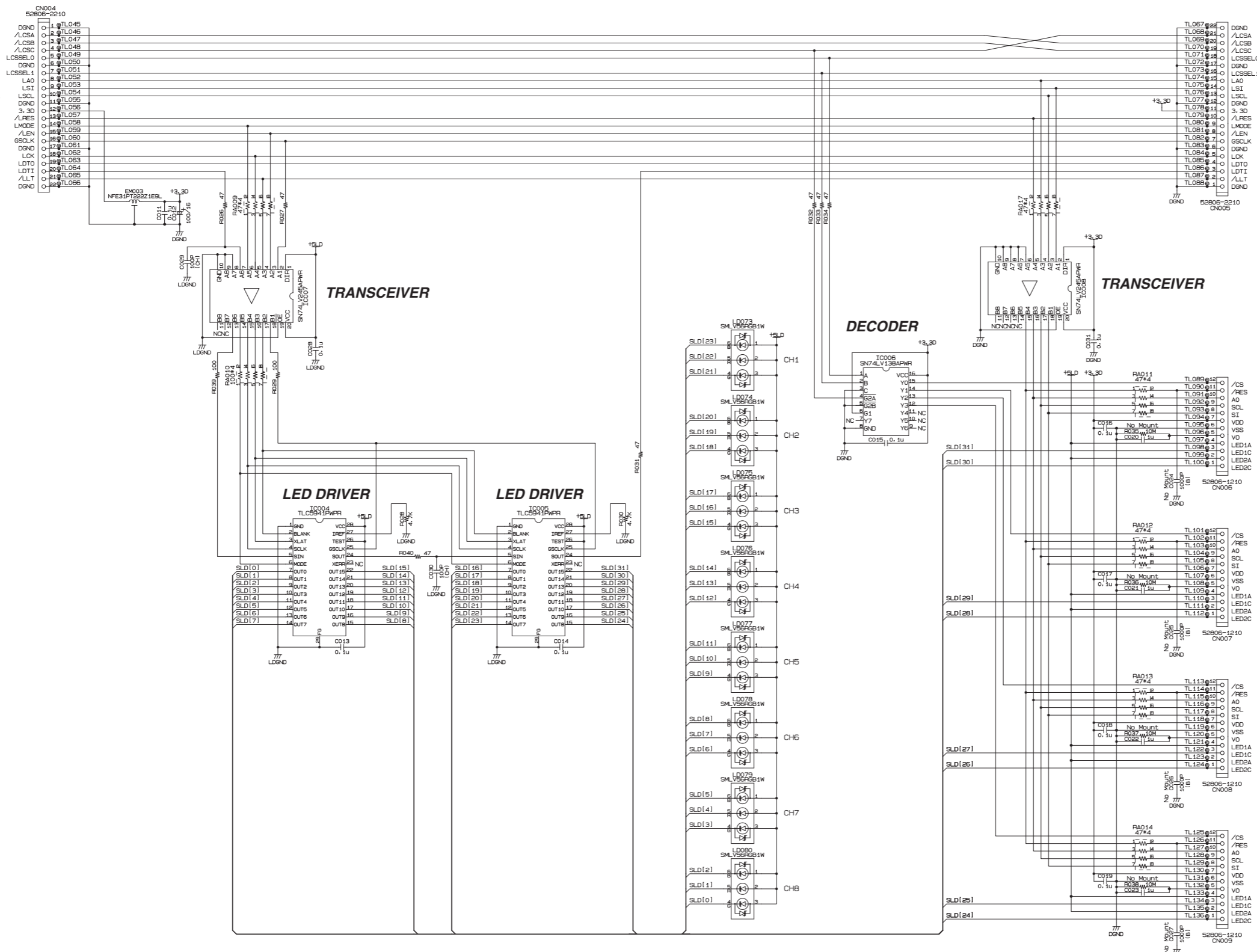
to PN8-CN004 (Page 74: O-1) or to PNM-CN008 (Page 81: B-1)

to CH NAME LCD

to CH NAME LCD

to CH NAME LCD

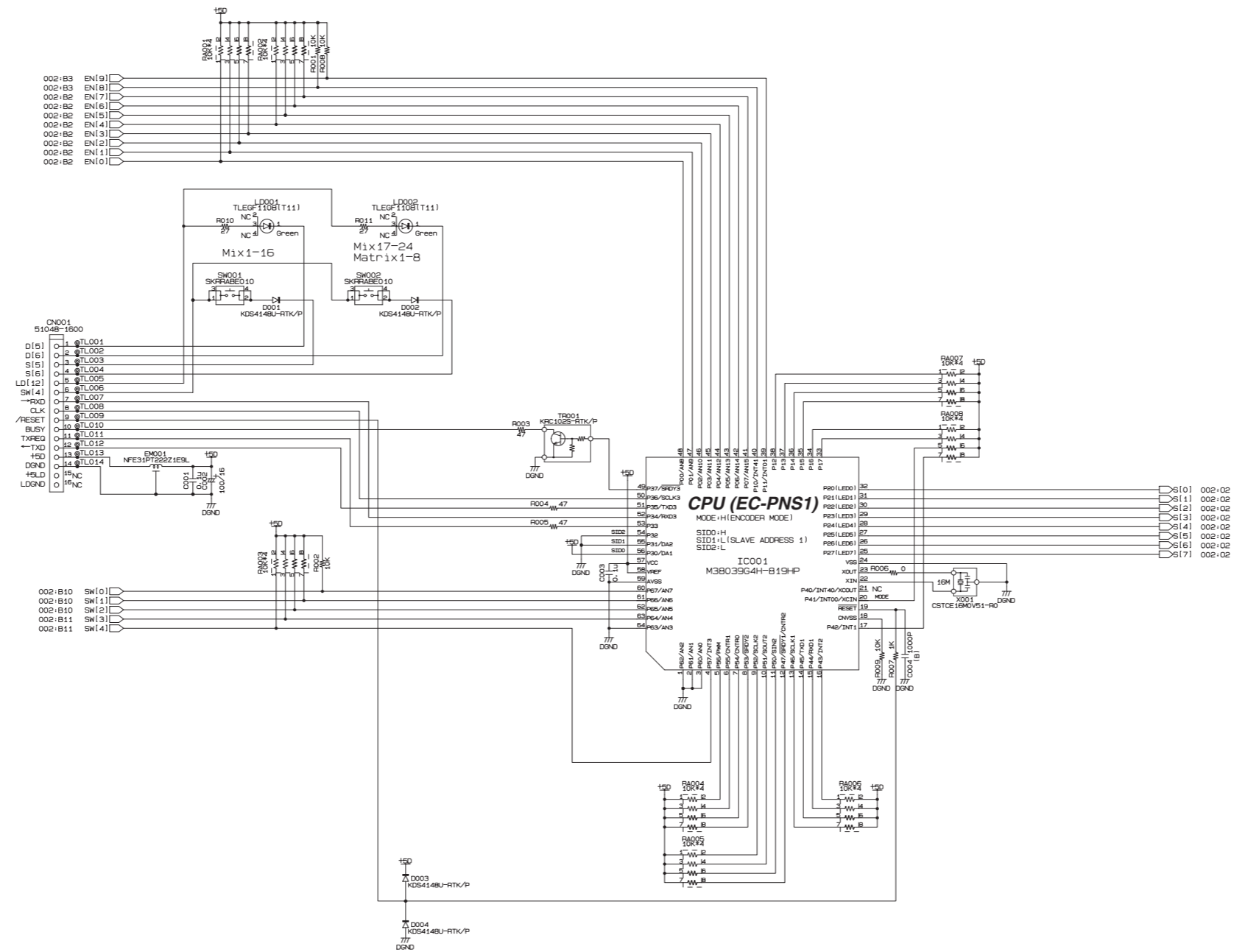
to CH NAME LCD



PNM (PN2/PN8) I/F, LCDM I/F, LED DRIVER, MULT COLOR LED PN8 003 CIRCUIT DIAGRAM (CL5)

PNENL 001 CIRCUIT DIAGRAM (CL5)

to PN8-CN001
(Page 72: O-1)

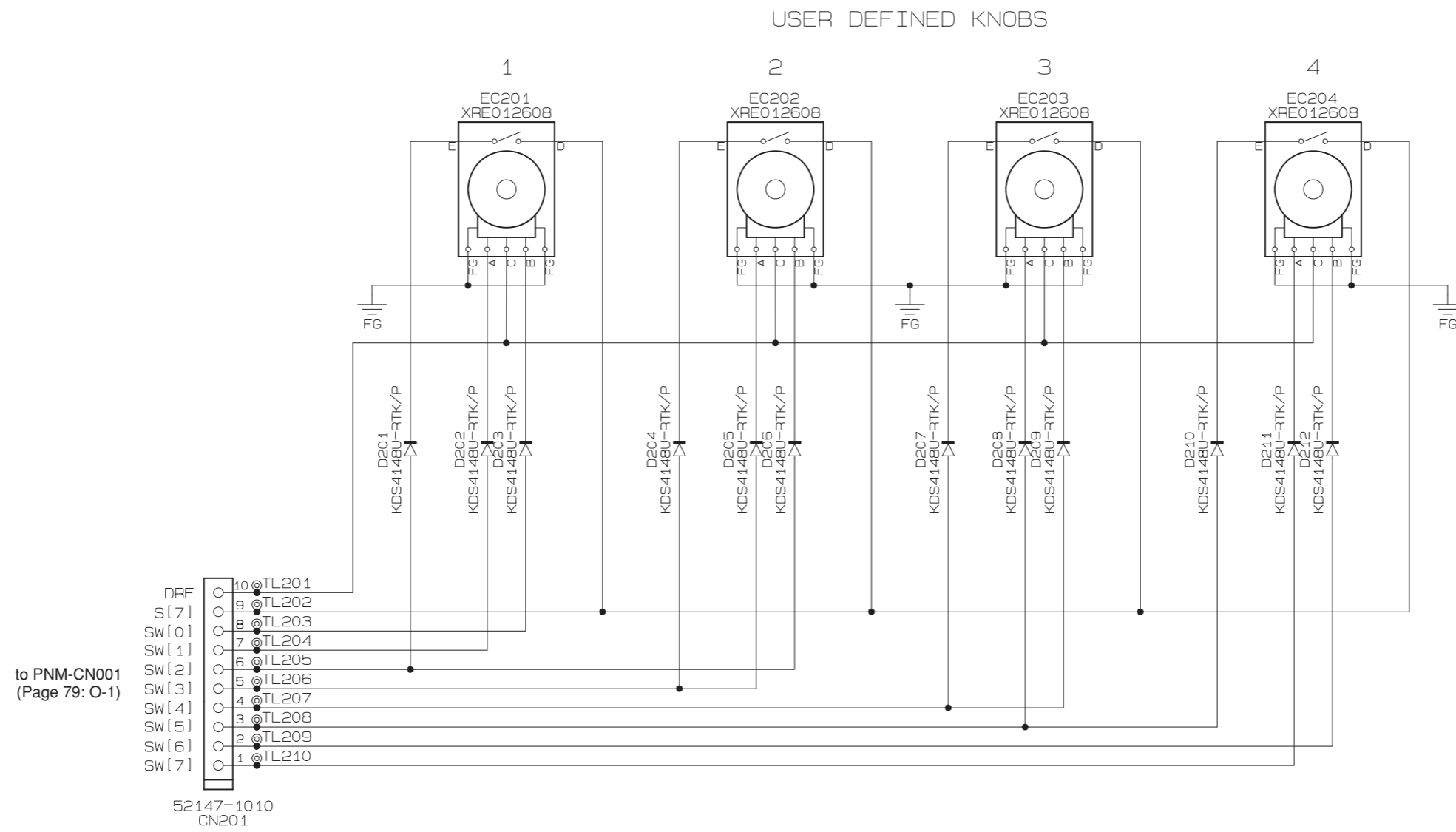


PNENL 002 CIRCUIT DIAGRAM (CL5)

CL5

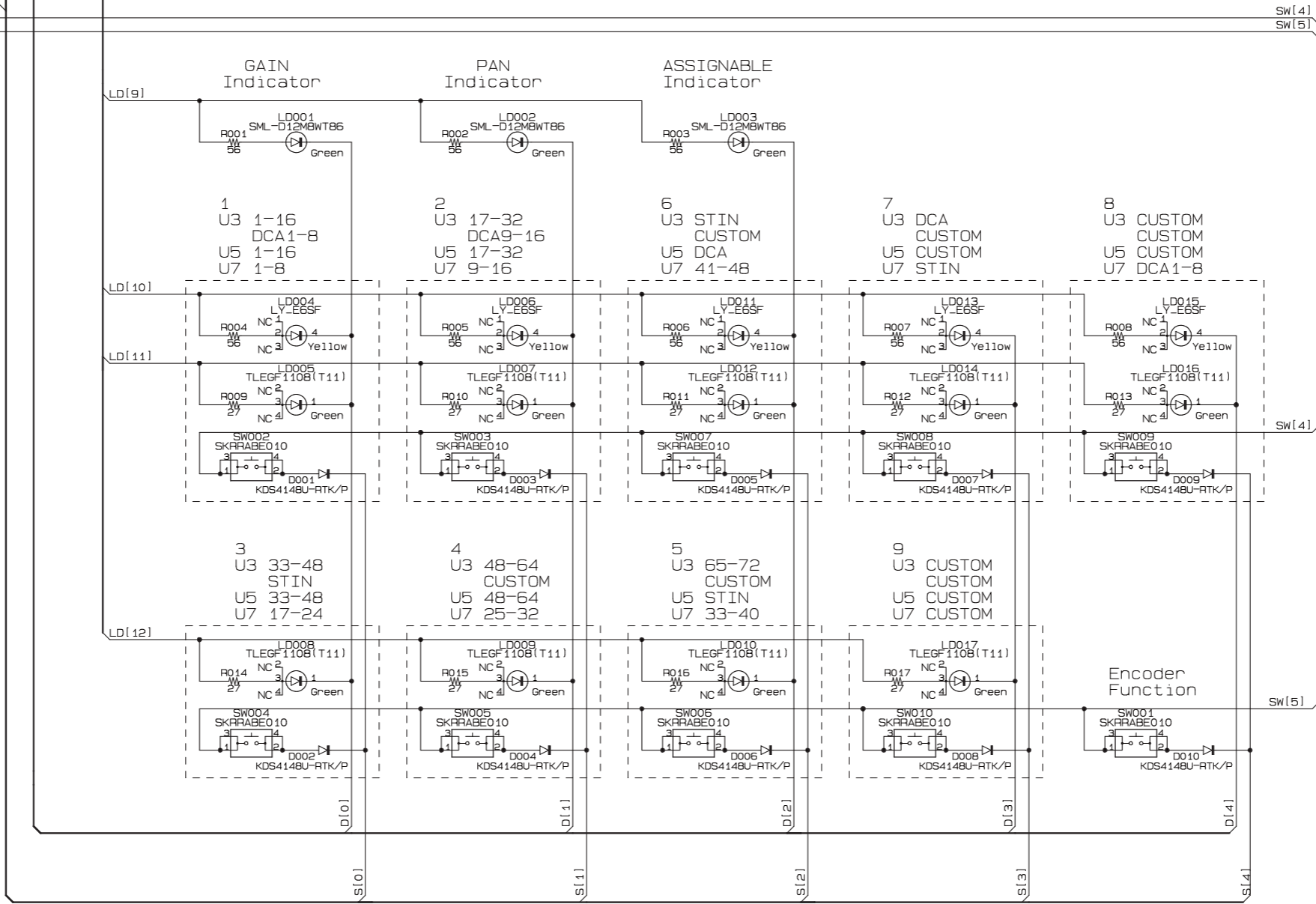
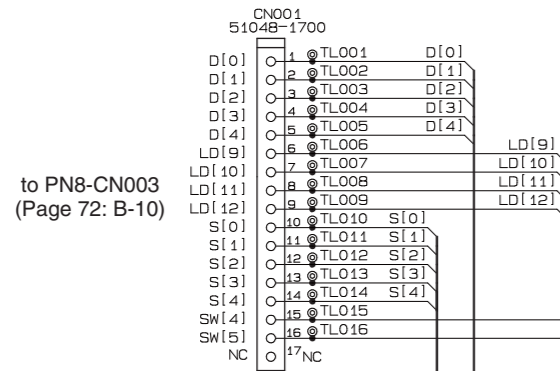


PNENR CIRCUIT DIAGRAM (CL5)



■ PNI CIRCUIT DIAGRAM (CL5)

CL5

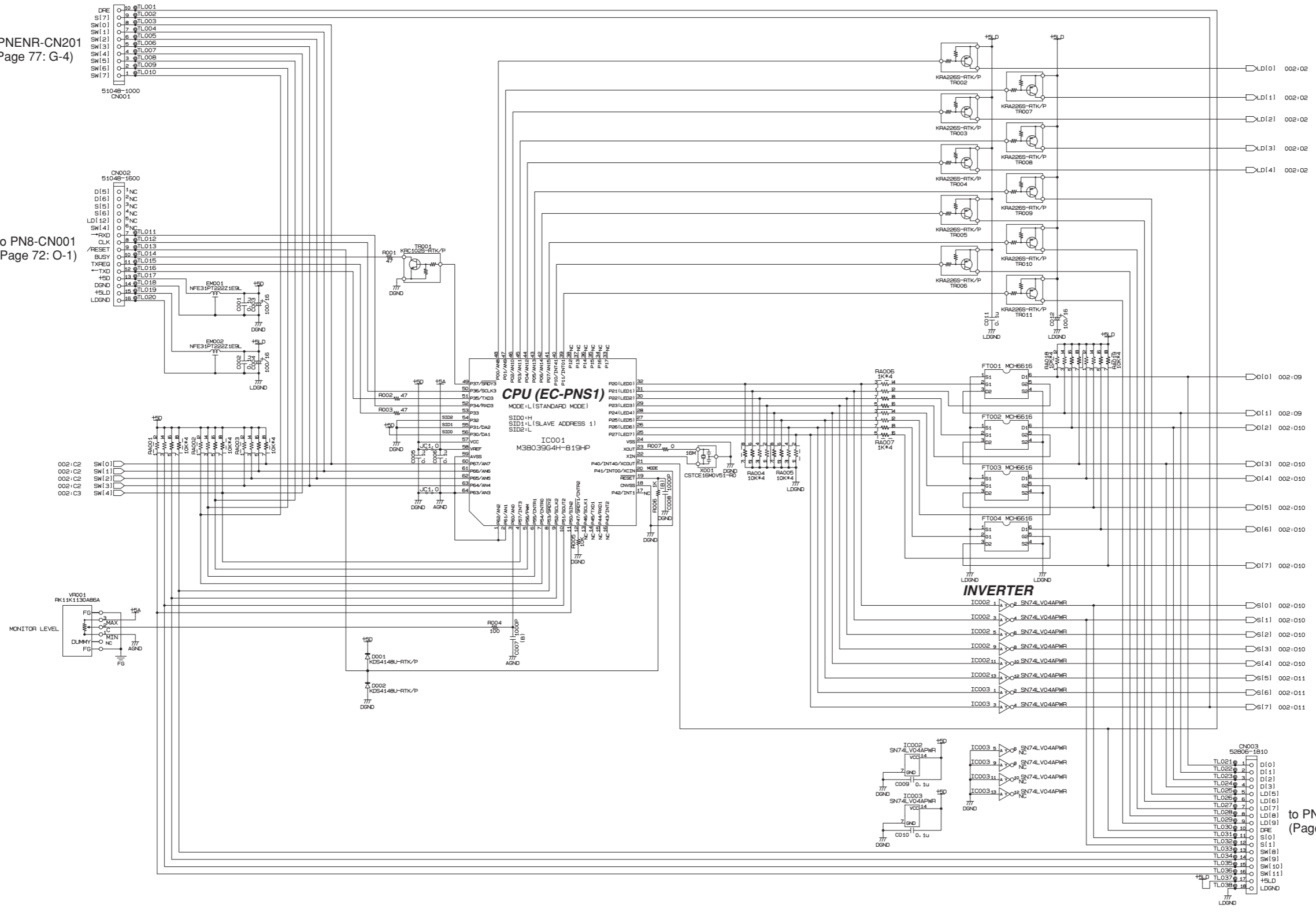


PNM 001 CIRCUIT DIAGRAM (CL5)

to PNENR-CN201
(Page 77: G-4)

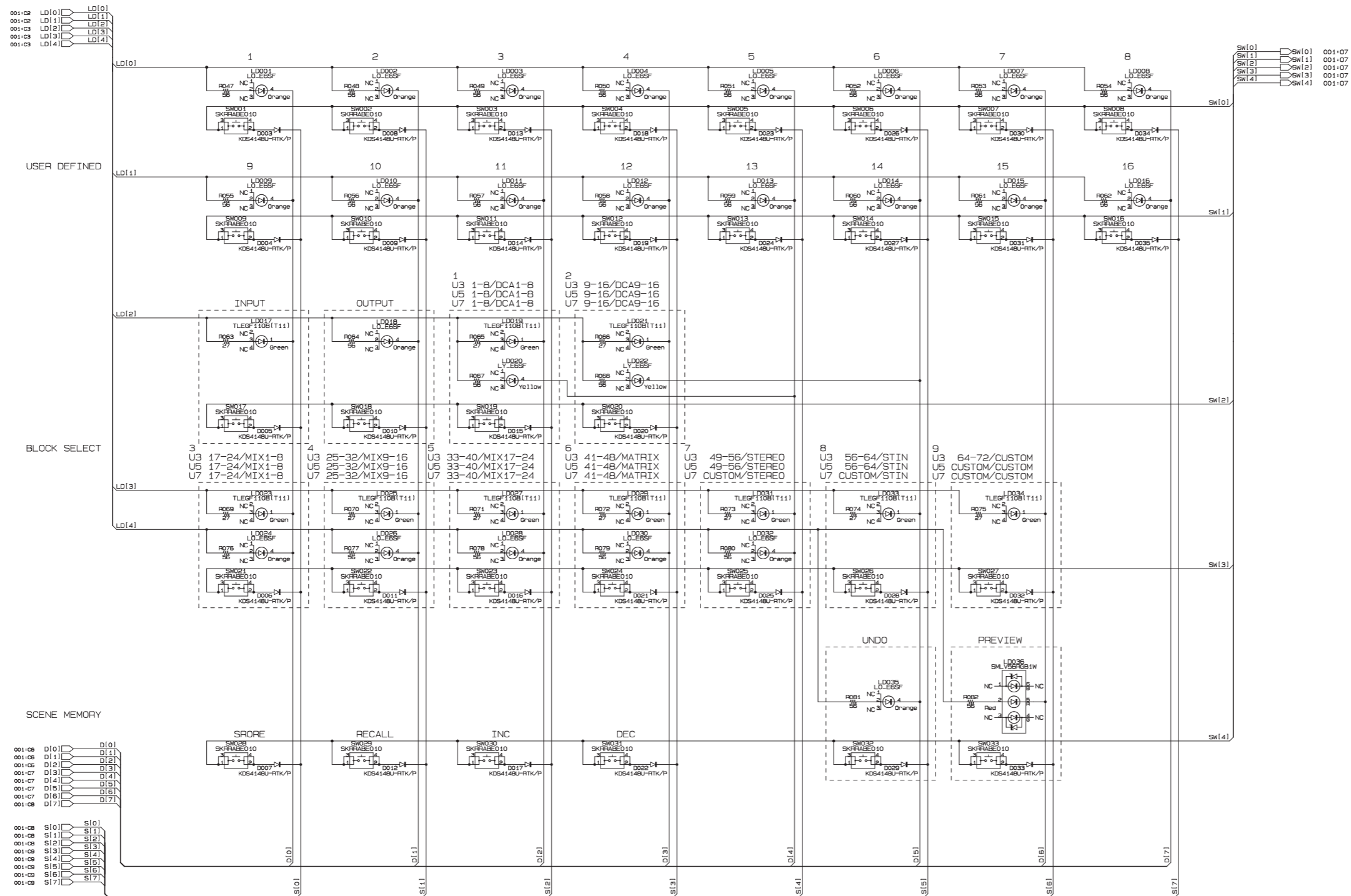
to PN8-CN001
(Page 72: O-1)

to PN2-CN101
(Page 71: P-2)



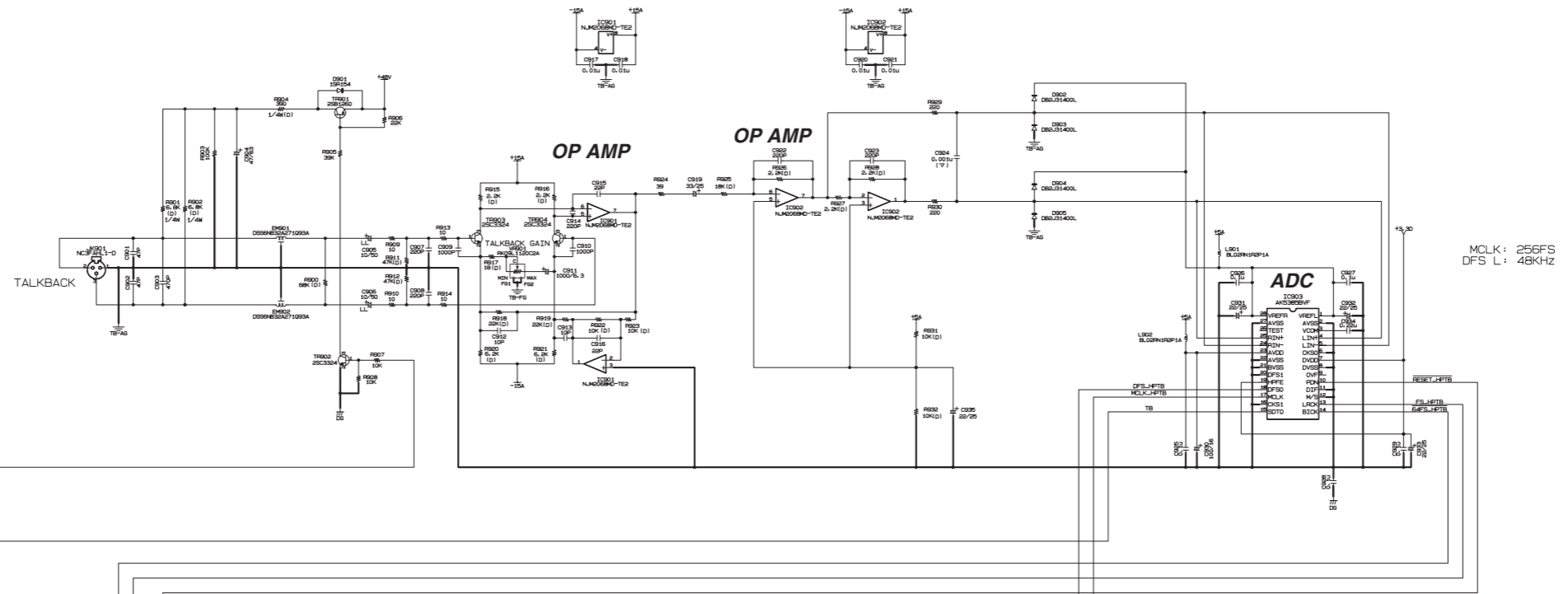
PNM 002 CIRCUIT DIAGRAM (CL5)

CL5

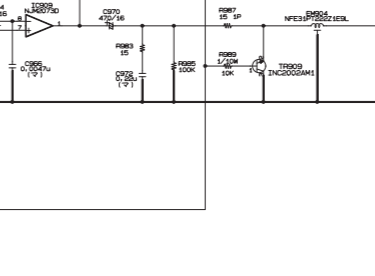
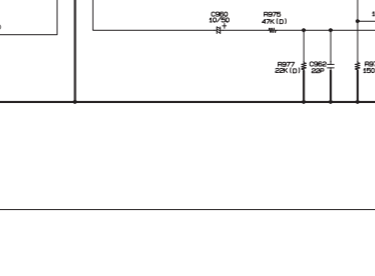
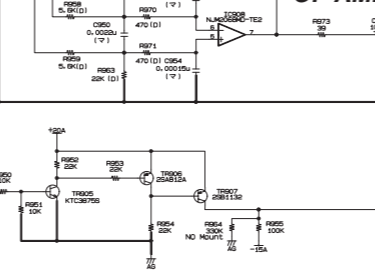
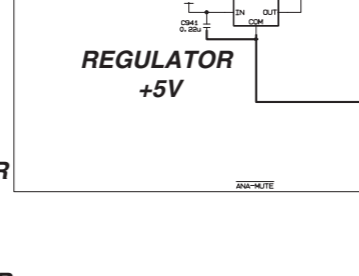
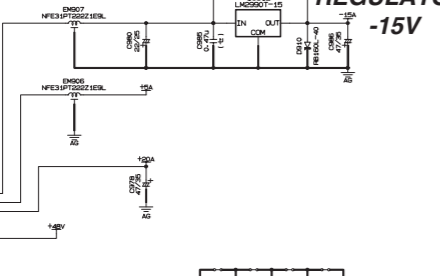
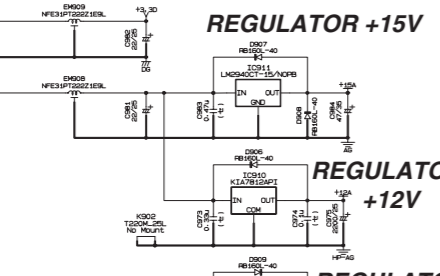
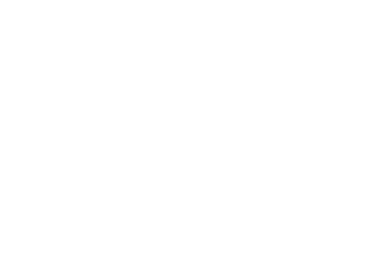
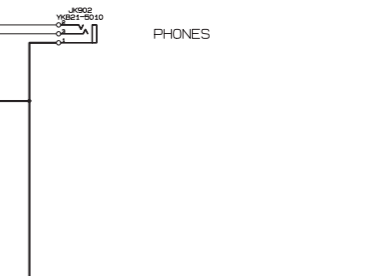
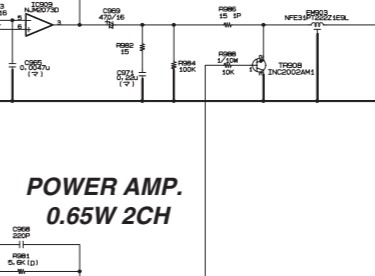
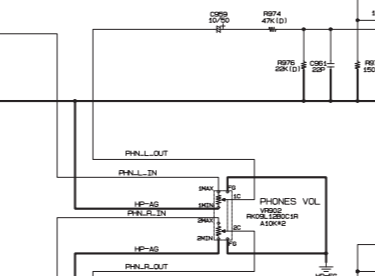
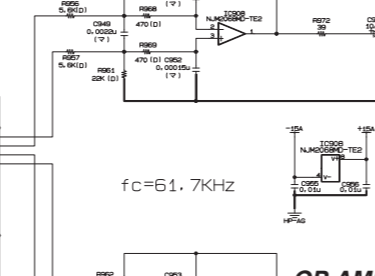
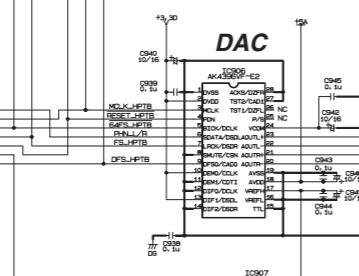
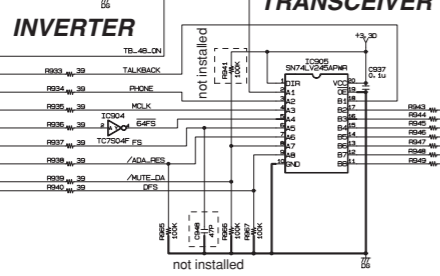
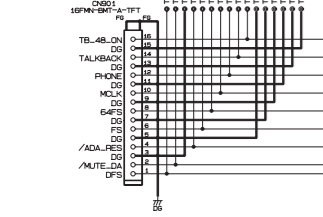


TBPHN CIRCUIT DIAGRAM (CL5)

CL5



to DSP-CN901
(Page 46: G-1)



to DCMS-CN735
(Page 27: B-10)

