

# POWER AMPLIFIERS

## H3000/H5000/H7000

## PC3500/PC5500/PC7500

### SERVICE MANUAL



H7000

OVERALL CIRCUIT DIAGRAM



PC7500

H3000/H5000/H7000 : 海外仕様モデル  
 PC3500/PC5500/PC7500 : Japanese models

#### ■ CONTENTS (目次)

SPECIFICATIONS (総合仕様) .....	2/4
PANEL LAYOUT (パネルレイアウト) .....	6
DIMENSIONS (寸法図) .....	7
BLOCK DIAGRAM (ブロックダイアグラム) .....	7
CIRCUIT BOARD LAYOUT & WIRING (ユニットレイアウトと基板結線図) .....	9
DISASSEMBLY PROCEDURE (分解手順) .....	12
POWER CONSUMPTION vs OUTPUT POWER GRAPH (消費電力対出力特性図) .....	19
IC BLOCK DIAGRAM (ICブロック図) .....	19
CIRCUIT BOARDS (シート基板図) .....	20
INSPECTIONS (検査) .....	38/41
CAUTION FOR SPEAKER CONNECTION (スピーカー配線) .....	44/45
TROUBLESHOOTING (トラブルシューティング) .....	44/45
PARTS LIST	

PA 011292

19950801-350000-7500  
 19950801-300000-5500

19950801-250000-3500

YAMAHA CORP.

HAMAMATSU, JAPAN

2.7K-006 © Printed in Japan '95.8

## IMPORTANT NOTICE

This manual has been provided for the use of authorized Yamaha Retailers and their service personnel. It has been assumed that basic service procedures inherent to the industry, and more specifically Yamaha Products, are already known and understood by the users, and have therefore not been restated.

**WARNING:** Failure to follow appropriate service and safety procedures when servicing this product may result in personal injury, destruction of expensive components and failure of the product to perform as specified. For these reasons, we advise all Yamaha product owners that all service required should be performed by an authorized Yamaha Retailer or the appointed service representative.

**IMPORTANT:** The presentation or sale of this manual to any individual or firm does not constitute authorization, certification, recognition of any applicable technical capabilities, or establish a principal-agent relationship of any form.

The data provided is believed to be accurate and applicable to the unit(s) indicated on the cover. The research, engineering, and service departments of Yamaha are continually striving to improve Yamaha products. Modifications are, therefore, inevitable and changes in specification are subject to change without notice or obligation to retrofit. Should any discrepancy appear to exist, please contact the distributor's Service Division.

**WARNING:** Static discharges can destroy expensive components. Discharge any static electricity your body may have accumulated by grounding yourself to the ground buss in the unit (heavy gauge black wires connect to this buss).

**IMPORTANT:** Turn the unit OFF during disassembly and parts replacement. Recheck all work before you apply power to the unit.

## WARNING: CHEMICAL CONTENT NOTICE!

The solder used in the production of this product contains LEAD. In addition, other electrical/electronic and/or plastic (where applicable) components may also contain traces of chemicals found by the California Health and Welfare Agency (and possibly other entities) to cause cancer and/or birth defects or other reproductive harm.

**DO NOT PLACE SOLDER, ELECTRICAL/ELECTRONIC OR PLASTIC COMPONENTS IN YOUR MOUTH FOR ANY REASON WHAT SO EVER!**

Avoid prolonged, unprotected contact between solder and your skin! When soldering, do not inhale solder fumes or expose eyes to solder/flux vapor!

If you come in contact with solder or components located inside the enclosure of this product, wash your hands before handling food.

### ■ WARNING

Components having special characteristics are marked  $\Delta$  and must be replaced with parts having specification equal to those originally installed.

$\Delta$  印の部品は、安全を維持するために重要な部品です。交換する場合は、安全のため必ず指定の部品をご使用下さい。

## SPECIFICATIONS

### • General Specifications H7000, H5000, H3000

	H7000	H5000	H3000
POWER OUTPUT LEVEL f=20 Hz~20 kHz, THD+N ≤ 0.1% STEREO RL=8 Ω BRIDGE RL=4 Ω RL=8 Ω	750 W 950 W 1900 W	550 W 700 W 1400 W	350 W 450 W 900 W
FREQUENCY RESPONSE	0 dB+0, -1 dB; f=10 Hz~50 kHz RL=8 Ω, Po=1 W		
POWER BANDWIDTH	10 Hz~50 kHz, Half Power, THD+N=0.1%		
TOTAL HARMONIC DISTORTION (THD+N) f=20 Hz~20 kHz, HALF POWER STEREO RL=8 Ω, 4 Ω BRIDGE RL=8 Ω	≤ 0.05% ≤ 0.05%	≤ 0.05% ≤ 0.05%	≤ 0.07% ≤ 0.07%
INTERMODULATION DISTORTION (IMD) f=60 Hz: 7 kHz, 4:1, HALF POWER STEREO RL=8 Ω, 4 Ω BRIDGE RL=8 Ω	≤ 0.05% ≤ 0.05%	≤ 0.05% ≤ 0.05%	≤ 0.07% ≤ 0.07%
CHANNEL SEPARATION HALF POWER, RL=8 Ω ATT. max. Input 600 Ω shunt	≥ 65 dB, f=20 Hz~20 kHz ≥ 80 dB, f=1 kHz		
RESIDUAL NOISE 12.7 kHz LPF IHF-A network	≤ -70 dB; ATT min. ≤ -80 dB; ATT min.		
SIGNAL-TO-NOISE RATIO Input 600 Ω shunt 12.7 kHz LPF IHF-A network	105 dB 110 dB	103 dB 108 dB	101 dB 106 dB
DAMPING FACTOR	> 200; RL=8 Ω, f=1 kHz		
SLEW RATE 8 Ω FULL SWING STEREO BRIDGE	±30V/μs ±50V/μs		
SENSITIVITY (ATT max.) Rated Power into 8 Ω	+8 dB	+6 dB	+4 dB
VOLTAGE GAIN (ATT max.)	32 dB		
INPUT IMPEDANCE	30 kΩ (balance), 15 kΩ (unbalance)		
INDICATORS	POWER (STAND-BY) (Red) TEMP; Heatsink Temp ≥ 85°C (185°F) (Red; flashing) PROTECTION (MUTE) (Red) CLIP/LIMIT (Red) OUTPUT SIGNAL × 2 (Yellow) INPUT SIGNAL × 2 (Green)		
PROTECTION	Power SW ON/OFF muting Heatsink temp ≥ 95°C (203°F)		
PC LIMITER	RL ≤ 1 Ω		
LIMITER CIRCUITS	Comp; THD ≥ 0.5% (f=1 kHz)		
FAN CIRCUIT	~ 50°C (122°F) ~ 70°C (158°F) ~ Low-speed - variable - Hi-speed		

CONTROLS	(FRONT) POWER SW; Push on/Push off Attenuator; 31-position dB calibrated (REAR) Mode SW; STEREO/BRIDGE/PARALLEL PIN-1 GND SW; ON/OFF
POWER REQUIREMENT	UL & Canadian Models: 120 V, 60 Hz General Model: 230 V, 50/60 Hz British Model: 240 V, 50 Hz
POWER CONSUMPTION	H7000: 600 W/900 VA H5000: 500 W/700 VA H3000: 400 W/500 VA
DIMENSIONS W × H × D	480 × 100.5 × 455.8 (mm) Panel height: 88 mm Depth behind front panel: 407 mm
WEIGHT	H7000: 26.5 kg H5000: 23.5 kg H3000: 17.5 kg
CONNECTORS	INPUT XLR-3-31 type × 2 XLR-3-32 type × 2 1/4" Phone (balance) × 2 OUTPUT 5-way binding posts × 2 MONITOR & REMOTE D-SUB 15pin female
MONITOR & REMOTE	MONITOR Pre Relay Output Level × 2 CLIP/LIMIT Indicator × 2 Output ON Indicator × 2 TEMP Indicator REMOTE CONTROL Muting (Output Relay) × 2 Power OFF

0 dB = 0.775 V, Half Power = 1/2 Power Output Level (Rated Power)

• Dynamic Power	(H7000)	(H5000)	(H3000)
f = 1 kHz; 20 ms			
RL = 2 Ω, STEREO	2000 W	1500 W	1000 W

• MONITOR/REMOTE Connection Pin Outs

Pin No.	Function	Parameter	Signal	Condition
1	MONITOR	Output Level (Pre Relay)	A ch	+4 dB at 100 W/8 Ω ON: +5 V/Zo=270 Ω OFF: 0 V/Hi-Zo Output Relay ON Temp ≥ 85°C
2			B ch	
3		Clip/Limit ON/OFF	A ch	
4			B ch	
5		Output ON/OFF	A ch	
6			B ch	
7		Heatsink Temp.		
8	REMOTE CONTROL	Mute ON/OFF	A ch	Connect to GND (Pin 15) to mute Connect to GND (Pin 15) to power off
9			B ch	
10		Power ON/OFF		
11	N/C			
12				
13				
14				
15	GND			



■ 総合仕様

● 一般仕様 PC7500, PC5500, PC3500

	PC7500	PC5500	PC3500
出力レベル (Rated Power) f=20Hz~20kHz, THD+N≤0.1% STEREO RL=8Ω RL=4Ω BRIDGE RL=8Ω	750W 1000W 2000W	550W 750W 1500W	350W 500W 1000W
周波数特性	0dB+0, -1dB; f=10Hz~50kHz RL=8Ω, Po=1W		
パワーバンド幅	10Hz~50kHz, HALF POWER, THD+N=0.1%		
全高調波歪率 (THD+N) f=20Hz~20kHz, HALF POWER STEREO RL=8Ω, 4Ω BRIDGE RL=8Ω	≤0.05% ≤0.05%		
混変調波歪率 (IMD) STEREO RL=8Ω, 4Ω BRIDGE RL=8Ω	≤0.05%, HALF POWER, f=60Hz:7kHz, 4:1		
チャンネルセパレーション HALF POWER, RL=8Ω ATT. max. 入力 600Ω シャント	≥65dB, f=20Hz~20kHz, ≥80dB, f=1kHz		
残留ノイズ 12.7kHz LPF IHF-A ネットワーク	≤-70dB; ATT min. ≤-80dB; ATT min.		
S/N 入力 600Ω シャント 12.7kHz LPF IHF-A ネットワーク	105dB 110dB	103dB 108dB	101dB 106dB
ダンピングファクター	≥500; RL=8Ω, f=1kHz		
スルーレート 8Ω フルスイング STEREO BRIDGE	±30V/μs ±50V/μs		
センシティブリティ (ATT max.) Rated Power into 8Ω	+8dB	+6dB	+4dB
ボルテージゲイン (ATT max.)	32dB		
入力インピーダンス	30kΩ (Balance), 15kΩ (Unbalance)		
インジケータ	POWER (STAND-BY) (赤) TEMP; Heatsink Temp ≥85°C (赤、点滅) PROTECTION (MUTE) × 2 (赤) CLIP/LIMIT × 2 (赤) OUTPUT SIGNAL × 2 (黄) INPUT SIGNAL × 2 (緑)		
プロテクション	Power SW ON/OFF muting ヒートシンク温度 ≥95°C PC リミッター RL≤1Ω		
リミッター回路	Comp; THD≥0.5% (f=1kHz)		
冷却ファンスピード	~ 50°C: 停止 50°C ~ 70°C: 低速 ~ 高速 / (Variable) 70°C ~ : 高速		

コントロール	フロント : POWER SW; on/off アッテネーター; 31-ポジション リア : モード SW; STEREO/BRIDGE/PARALLEL PIN-1 GND SW; ON/OFF
電源	100V, 50/60Hz
消費電力	PC7500: 850W PC5500: 650W PC3500: 450W
最大外形寸法 (W × H × D)	480 × 100.5 × 455.8 (mm)
重量	PC7500: 27.0kg    PC5500: 25.0kg    PC3500: 20.0kg
コネクタ	INPUT                    XLR-3-31 タイプ × 2 XLR-3-32 タイプ × 2 1/4" フォンジャック (バランス型) × 2 OUTPUT                    5-ウェイ バインディングポスト × 2 MONITOR&REMOTE      D-SUB 15ピンメス
モニター/リモート	MONITOR                  Pre Relay Output Level × 2 CLIP/LIMIT Indicator × 2 Output ON Indicator × 2 TEMP Indicator REMOTE CONTROL        Muting (Output Relay) × 2 Power OFF (Power Amp.)

0dB=0.775 V, Half Power=1/2 出力レベル (Rated Power)

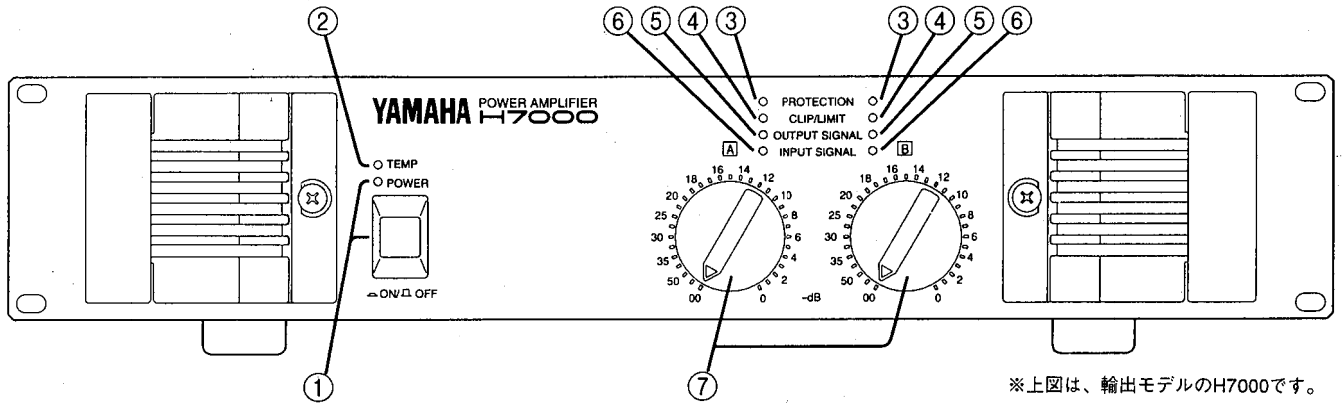
Dynamic Power	(PC7500)	(PC5500)	(PC3500)
f=1kHz, 20ms			
RL=2Ω, STEREO	2000W	1500W	1000W

● MONITOR/REMOTE 接続ピン出力

ピン番号	機能	パラメータ	信号	条件	
1	モニター	出力レベル (プリ・リレー)	Ach	+4dB at 100 w/8Ω	RL=7.5kΩ, Zo=300Ω
2			Bch		
3		クリップ/リミット ON/OFF	Ach	ON: +5 V/Zo=270Ω	THD≥0.5%
4			Bch		
5		出力 ON/OFF	Ach		出力リレー ON
6			Bch		
7		ヒートシンク温度			Temp≥85℃
8	リモートコントロール	ミュート ON/OFF	Ach	GND (ピン15) に接続して	
9			Bch		
10		電源 ON/OFF		GND (ピン15) に接続して	電源オフ
11	—				
12					
13					
14					
15	GND				

## ■ PANEL LAYOUT (パネルレイアウト)

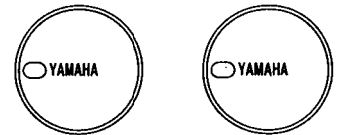
### ● Front Panel (フロントパネル)



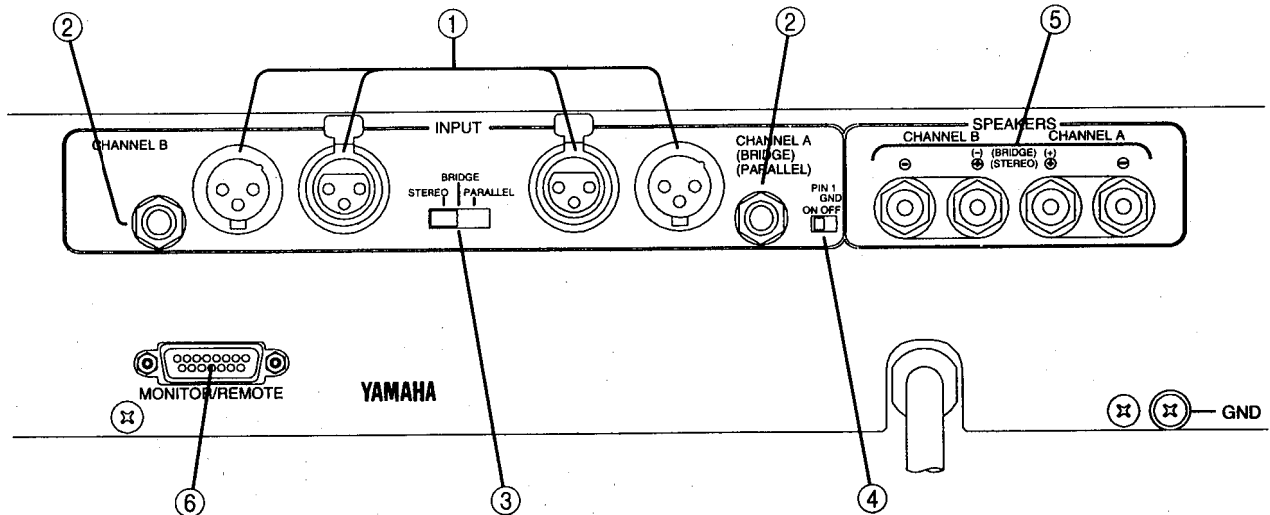
※上図は、輸出モデルのH7000です。

- ① POWER switch & indicator
- ② TEMP indicator
- ③ PROTECTION indicators
- ④ CLIP/LIMIT indicators

- ⑤ OUTPUT SIGNAL indicators
- ⑥ INPUT SIGNAL indicators
- ⑦ Input attenuators
- ⑧ Knob locks



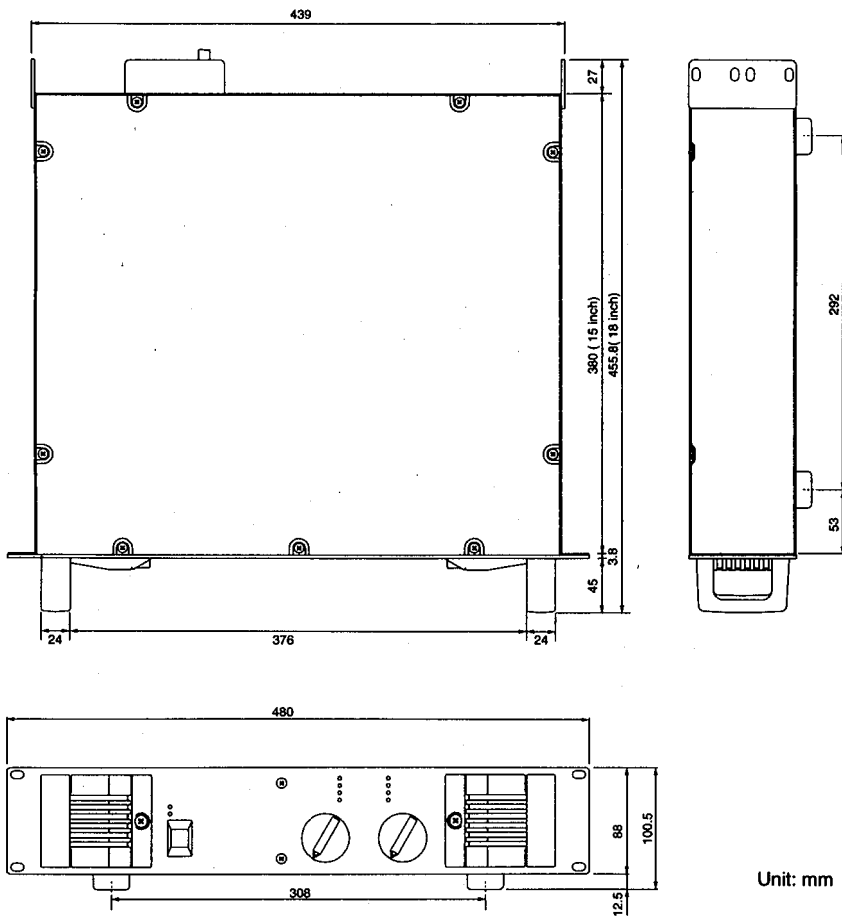
### ● Rear Panel (リアパネル)



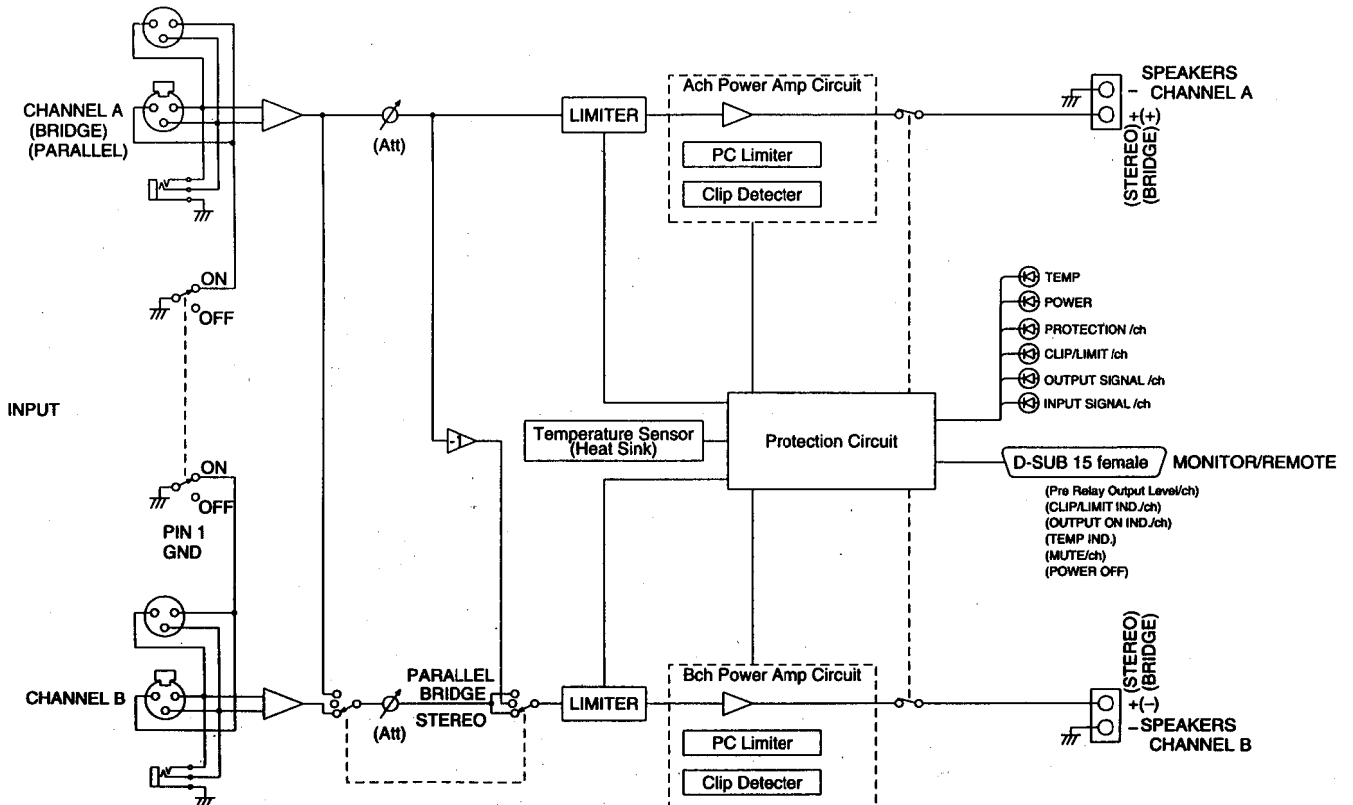
- ① XLR type INPUT connectors
- ② Phone jack INPUT connectors
- ③ STEREO/BRIDGE/PARALLEL MODE switch

- ④ PIN 1 GND switch
- ⑤ SPEAKER terminals
- ⑥ MONITOR/REMOTE connector

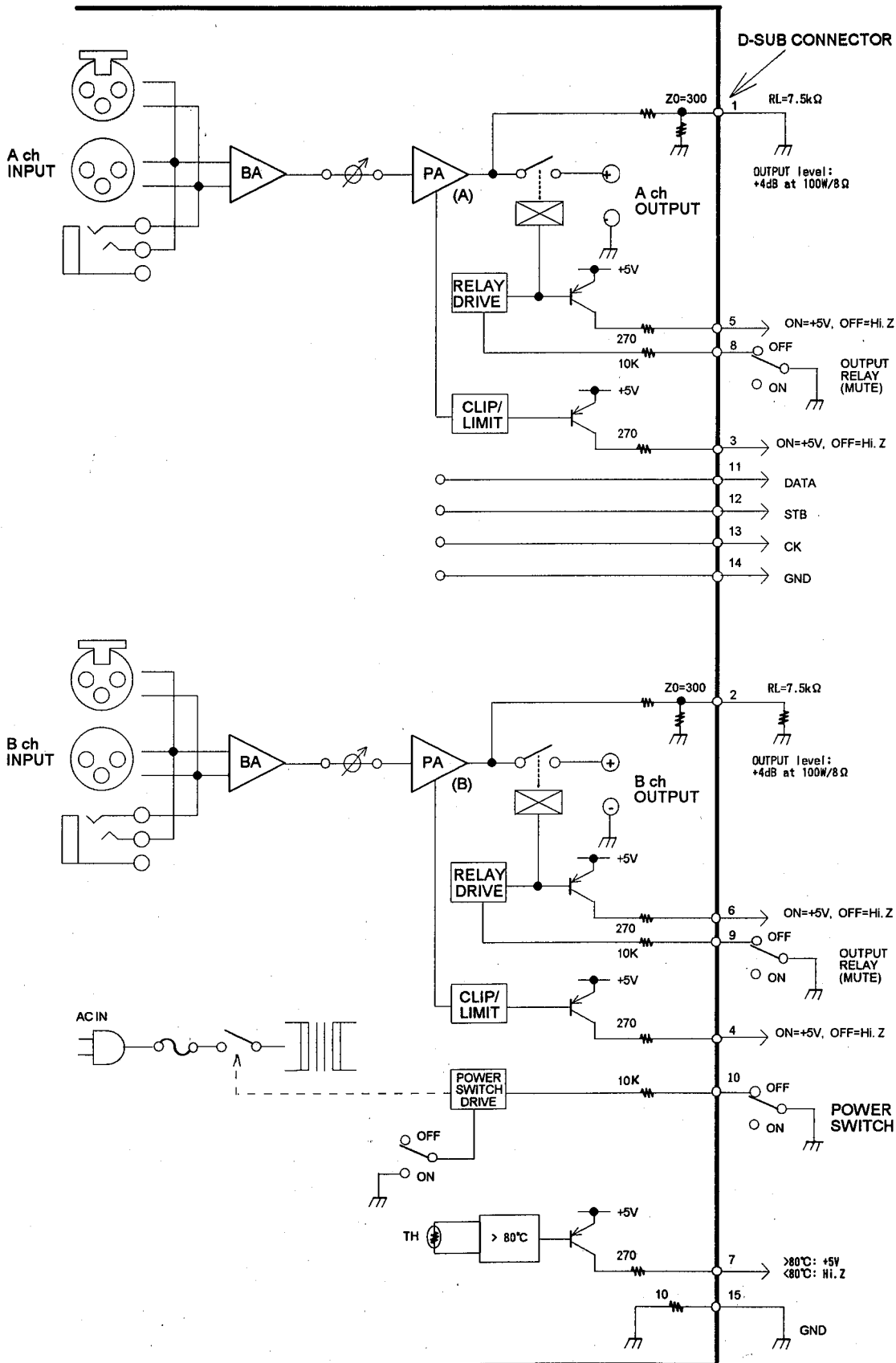
## ■ DIMENSIONS (寸法図)



## ■ BLOCK DIAGRAM (ブロックダイアグラム)

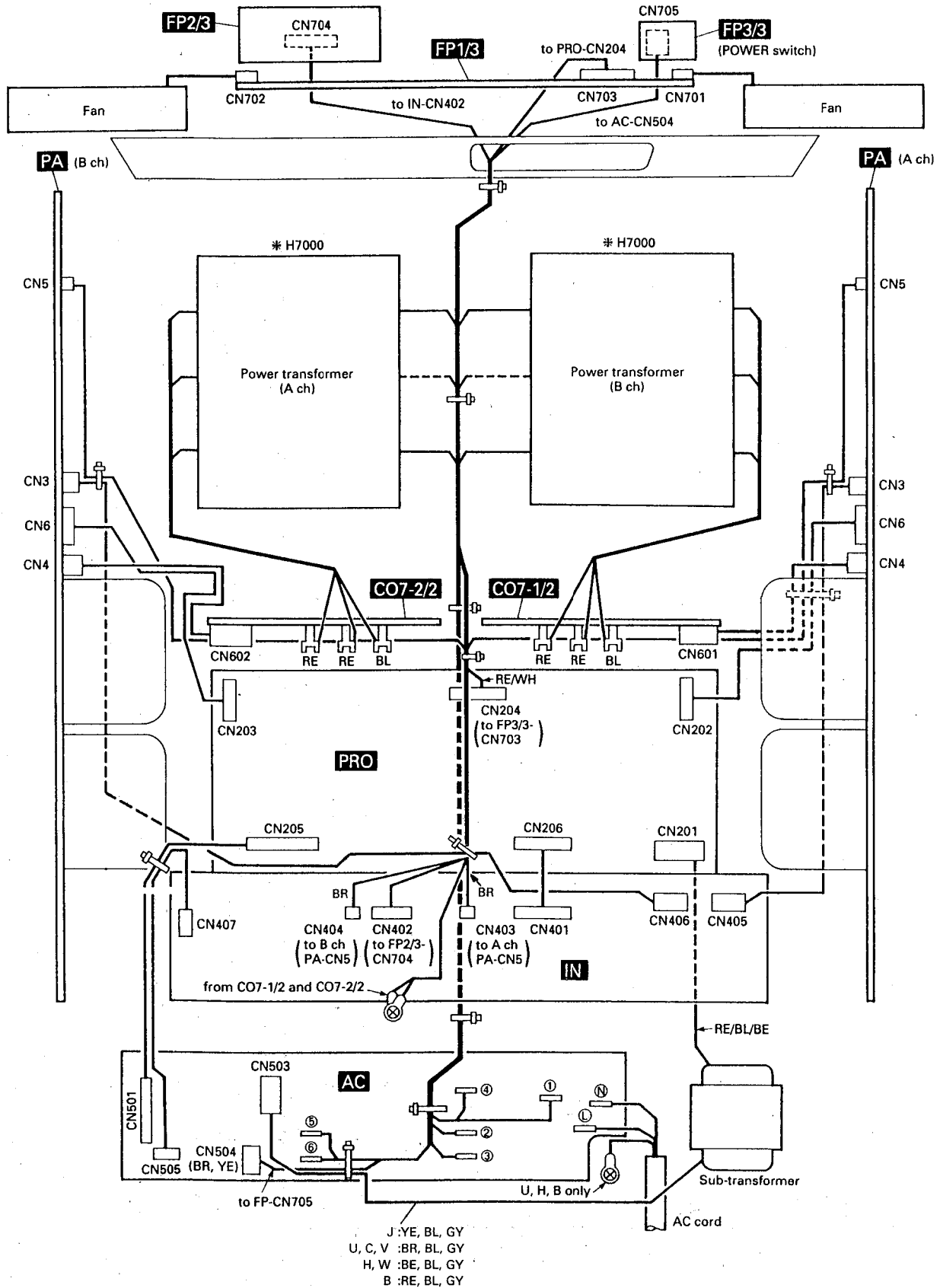


MONITOR & REMOTE CONTROL BLOCK DIAGRAM (モニターとリモートコントロール部のブロックダイアグラム)

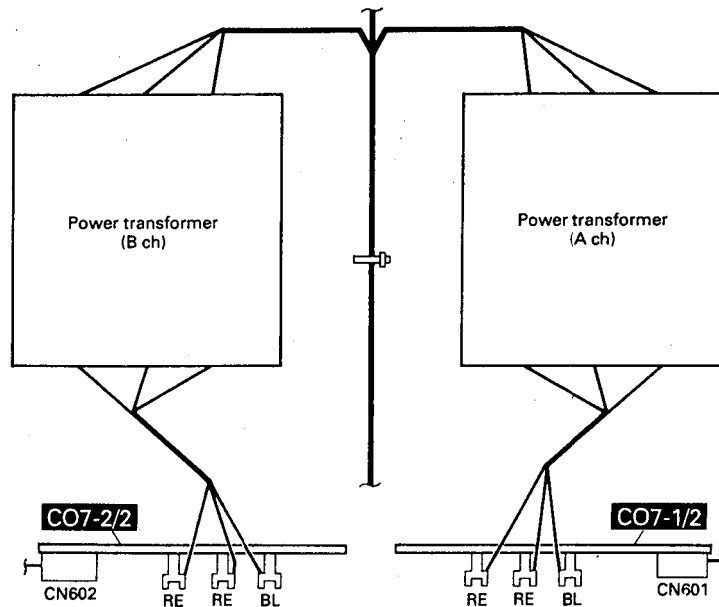


# CIRCUIT BOARD LAYOUT & WIRING (ユニットレイアウトと基板結線図)

## ● H7000 and H5000 (PC7500とPC5500)



● Power Transformer (H5000) (PC5500の電源トランス部)



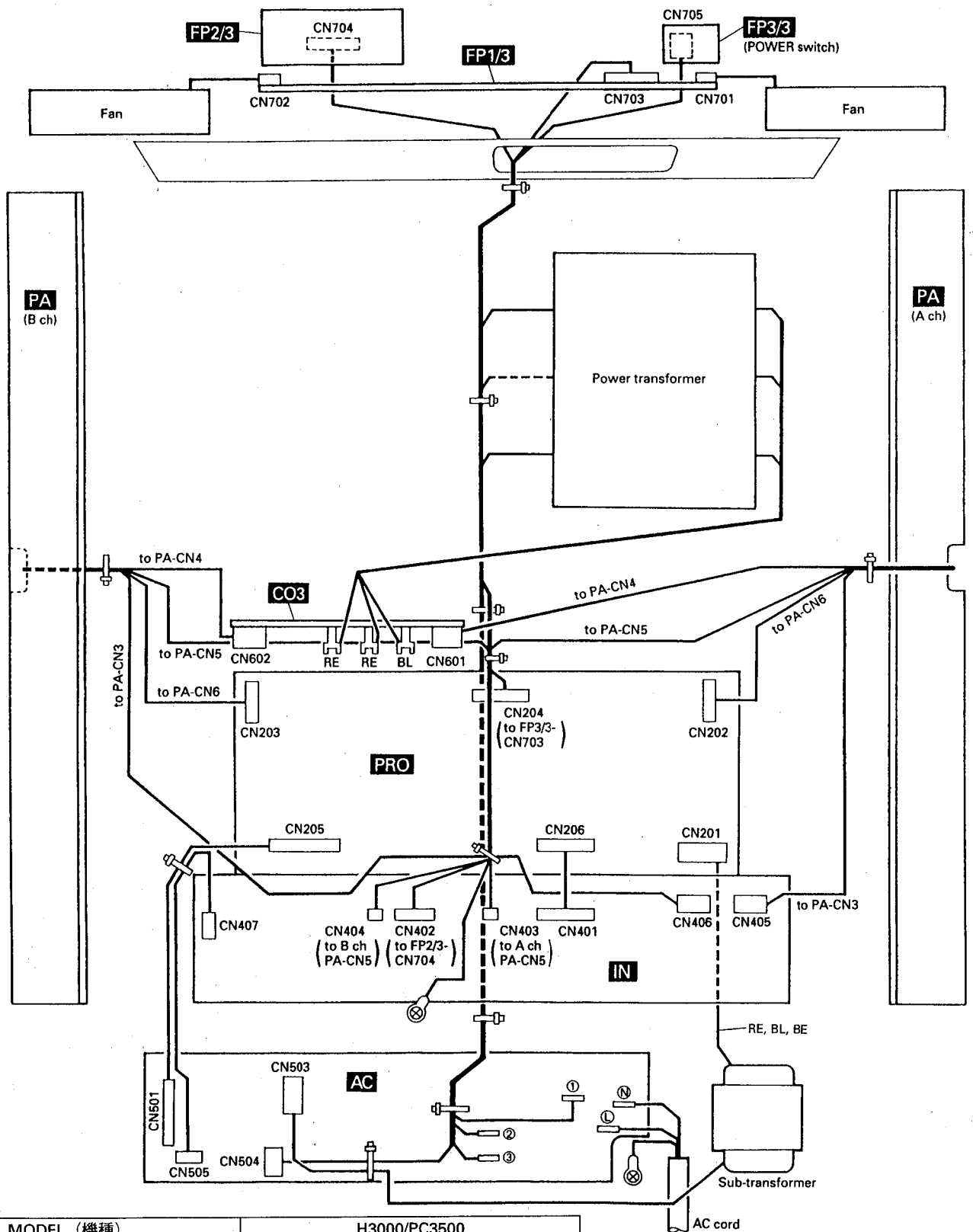
MODEL (機種)		H7000/PC7500				H5000/PC5500			
MARKET (仕向け)		J	U, C, V	H, W	B	J	U, C, V	H, W	B
A channel Power Transformer (電源トランス Ach)	①	GY	GY	GY	GY	YE	BR	GY	GY
	②	YE	BR	BE	RE	GY	GY	BE	RE
	③	X	X	BE	RE	X	X	BE	RE
B channel Power Transformer (電源トランス Bch)	④	GY	GY	GY	GY	GY	GY	GY	GY
	⑤	YE	BR	BE	RE	YE	BR	BE	RE
	⑥	X	X	BE	RE	X	X	BE	RE
AC Cord (電源コード)	㊦	WH	WH	BE	BE	WH	WH	BE	BE
	㊧	BL	BL	BR	BR	BL	BL	BR	BR

(X: not connected)

J : Japanese model  
U : U. S model  
C : Canadian model

V : General export model (120V)  
H : Nort European model  
W : General export model (230V)  
B : British model

● H3000 Circuit Board Wiring (P3500のユニットレイアウトと基板結線図)



MODEL (機種)	H3000/PC3500			
MARKET (仕向け)	J	U, C, V	H, W	B
Power Transformer (電源トランス)	①	GY	GY	GY
	②	YE	BR	BE
	③	X	X	BE
AC Cord (電源コード)	N	WH	WH	BE
	L	BL	BL	BR



## ■ DISASSEMBLY PROCEDURE (分解手順)

### 1 Top Cover

1-1 Remove the thirteen (13) screws marked as [590], then the top cover can be removed. (Fig. 1)

### 2 Power Transformers

2-1 Remove the top cover. (See procedure 1)  
2-2 Remove the eight (8) screws marked as [90], then the power transformers 1 and 2 can be removed. (Fig. 2)

※ Power transformer 1 is installed only in a H7000 or H5000.

### 3 PRO Circuit Board

3-1 Remove the top cover. (See procedure 1)  
3-2 Remove the PRO circuit board from the six (6) spacers marked as [130]. (Fig. 2)

### 1 トップカバー

1-1 [590]のネジ13本を外し、トップカバーを外します。(図1)

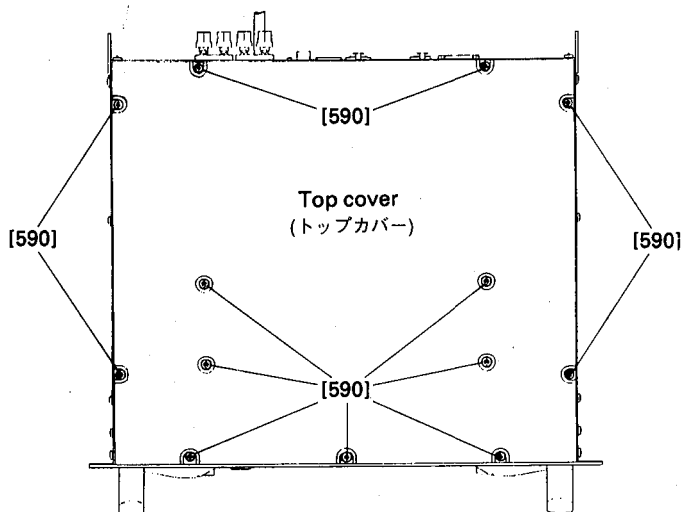
### 2 電源トランス

2-1 トップカバーを外します。(1項参照)  
2-2 [90]のネジ8本を外し、電源トランス1と電源トランス2を外します。(図2)

※ 電源トランス1は、PC7500とPC5500のみに取り付けられています。

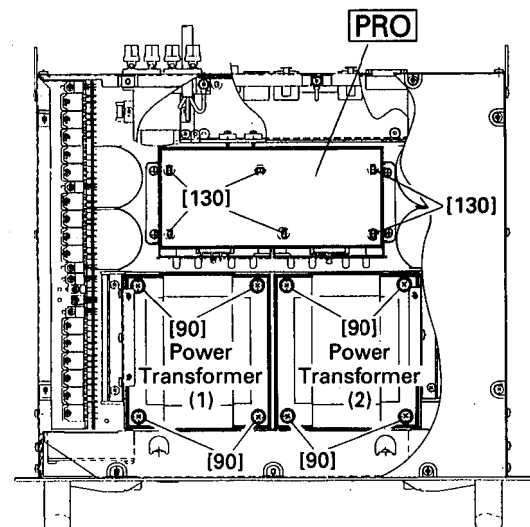
### 3 PROシート

3-1 トップカバーを外します。(1項参照)  
3-2 [130]のスペーサ6カ所からPROシートを外します。(図2)



[590]: Bind Head Tapping Screw-B A4.0X8 MFZN2BL (VC688800)  
+バインドBタイト

(Fig. 1)



[90]: Bind Head Screw SP 5X45 MFZN2Y (VR428400)  
+バインド小ネジ

(Fig. 2)

### 4 PA7/PA5/PA3 Circuit Board

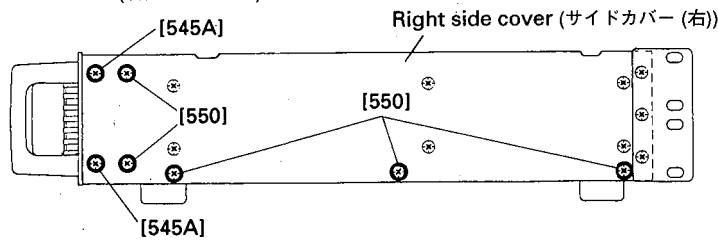
※ The PA7 circuit board is in the H7000, PA5 in the H5000 and PA3 in the H3000.

4-1 Remove the top cover. (See procedure 1)  
4-2 Remove the two (2) screws marked as [545A], five (5) screws marked as [550] and two (2) screws marked as [570A], then remove the right PA unit with the right side cover. (Fig. 3 and Fig. 4)

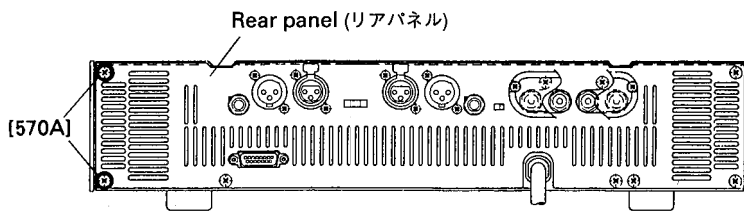
### 4 PA7シート/PA5シート/PA3シート

4-1 トップカバーを外します。(1項参照)  
4-2 [545A]のネジ2本と[550]のネジ5本と[570A]のネジ2本を外し、サイドカバー(右)と一緒に右チャンネルのPAユニットを外します。(図3と図4)

• Right side view (右側から見た図)



(Fig. 3) [545A]: Bind Head Screw A4.0X8 MFZN2BL (VP156800) + バインド小ネジ  
[550]: Bind Head Tapping Screw-B A4.0X8 MFZN2BL (VC688800) + バインドBタイト



(Fig. 4) [570A]: Bind Head Tapping Screw-B A4.0X8 MFZN2BL (VC688800) + バインドBタイト

4-3 PA7/PA5 circuit board: Remove the screws marked as [150] and six (6) screws marked as [50A], then the PA7/PA5 circuit board on the right PA unit. (Fig. 5-1)

※ There are forty-four (44) screws marked as [150] on the PA7 circuit board, and forty (40) on the PA5 circuit board.

※ Transistors Q25 - Q62, Diodes D29 - D32 and Positive thermistors PR2 - PR3 are not parts of the PA7/PA5 circuit board.

4-4 PA3 circuit board: Remove the twelve (12) screws marked as [110], sixteen (16) screws marked as [120] and two (2) screws marked as [125], then the PA3 circuit board on the right PA unit. (Fig. 5-2)

4-5 The left PA7/PA5/PA3 circuit board can be removed in the same manner after the left PA unit has been removed.

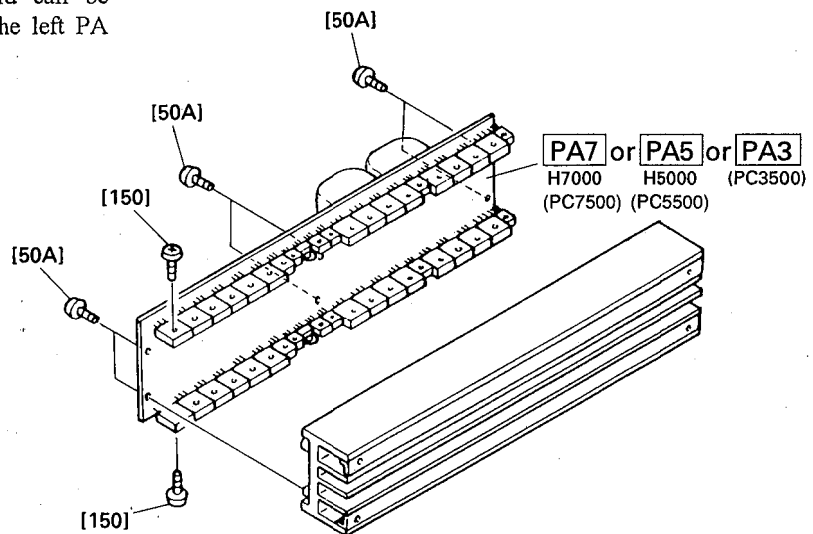
4-3 [150]のネジと[50A]のネジ6本を外し、PA7/PA5シートをPAユニットから外します。(図5-1)

※ [150]のネジは、PA7シートには44本、PA5シートには40本、PA3シートには34本あります。

※ トランジスタ Q25-Q62、ダイオード D29-D32、ポジスタ PR2-PR3は、PA7シート/PA5シート/PA3シートの構成部品ではありません。

4-4 左チャンネルのPA7シート/PA5シート/PA3シートも、同様に外すことができます。

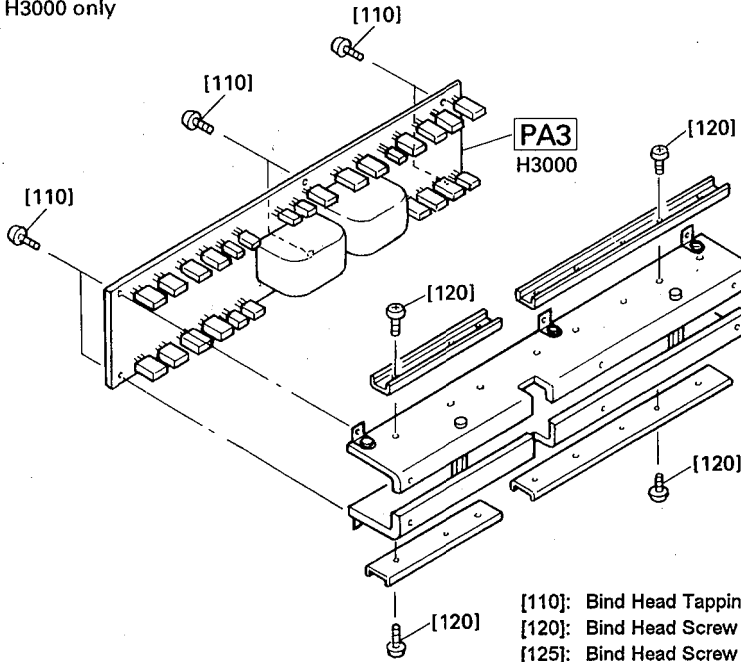
• H7000/H5000 (PC7500/PC5500/PC3500) の場合



(Fig. 5-1)

[50A]: Bind Head Screw SP 3.0X8 MFZN2Y (EG330290) + バインド小ネジ  
[150]: Bind Head Screw SP 3.0X12 MFZN2Y (VB763800) + バインド小ネジ

• H3000 only



[110]: Bind Head Tapping Screw-B A3.0X8 MFZN2BL (VP157000) + バインドBタイト  
[120]: Bind Head Screw SP 3.0X12 MFZN2Y (VB763800) + バインド小ネジ  
[125]: Bind Head Screw SP 3.0X8 MFZN2Y (EG330290) + バインド小ネジ

(Fig. 5-2)

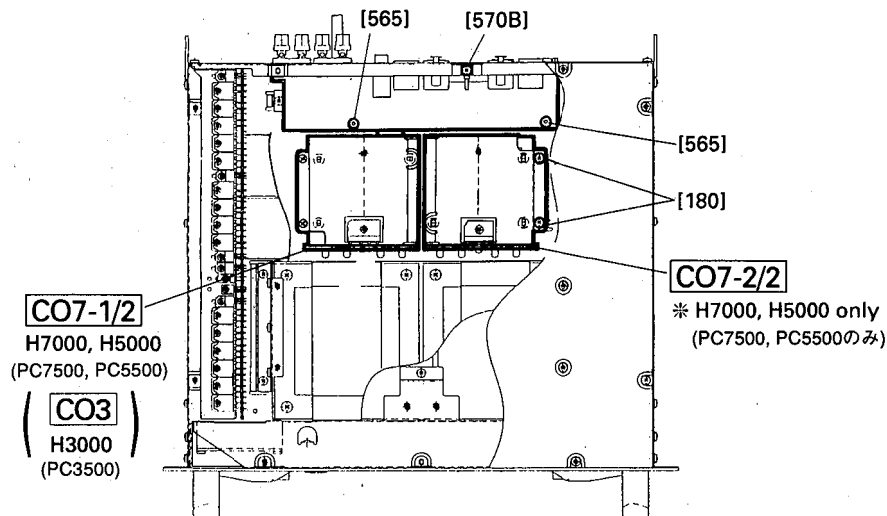
**5 CO7-1/2(CO3) and CO7-2/2 Circuit Boards**

※ The CO7 circuit boards are in the H7000/H5000, and CO3 in the H3000.

- 5-1 Remove the top cover. (See procedure 1)
- 5-2 Remove the right PA unit with the right side cover. (See procedure 4-2)
- 5-3 Remove the PRO circuit board. (See procedure 3)
- 5-4 Remove the two (2) screws marked as [180], then remove the CO7-2/2 circuit board with an electrolytic capacitor and a holder. (Fig. 6)
- 5-5 The CO7-1/2(CO3) circuit board can be removed in the same manner described above after the left PA unit has been removed.

**5 CO7-1/2シート (CO3シート) と CO7-2/2シート**

- ※ CO7シートは、PC7500/PC5500に取り付けられています。またCO3シートは、PC3500に取り付けられているシートです。
- 5-1 トップカバーを外します。(1項参照)
- 5-2 サイドパネル(右)と共に、右チャンネルのPAユニットを取り外します。(4-2項参照)
- 5-3 PROシートを取り外します。(3項参照)
- 5-4 [180]のネジ2本を外し、ケミコンとホルダーと共にCO7-2/2シートを外します。(図6)
- 5-5 左チャンネルのPAユニットを外した後、同様の手順でCO7-1/2シート(CO3シート)を外します。



[180]: Bind Head Tapping Screw-B A4.0X8 MFZN2BL (VC688800) + バインドBタイト  
[570B]: Bind Head Tapping Screw-B A4.0X8 MFZN2BL (VC688800) + バインドBタイト

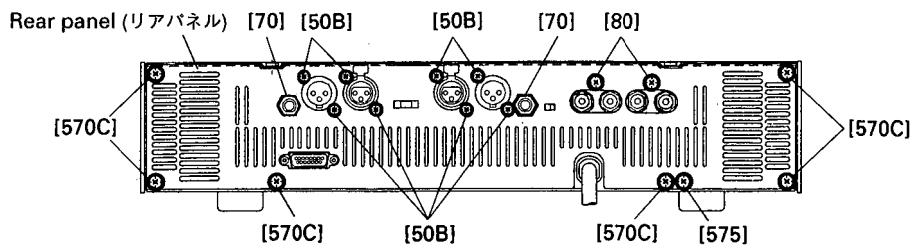
(Fig. 6)

## 6 IN Circuit Board

- 6-1 Remove the top cover. (See procedure 1)
- 6-2 Remove the two (2) plastic rivets marked as [565], the screw marked as [570B], six (6) screws marked as [570C] and the screw marked as [575], then remove the rear assembly. (Fig. 6 and Fig. 7)
- 6-3 Remove the eight (8) screws marked as [50B], two (2) screws marked as [80] and two (2) hexagonal nuts marked as [70], then the IN circuit board can be removed. (Fig. 7)

## 6 INシート

- 6-1 トップカバーを外します。(1項参照)
- 6-2 [565]のプラスチックリベット2本と[570B]のネジ1本と[570C]のネジ6本と[575]のネジ1本を外し、リアAss'yを外します。(図6と図7)
- 6-3 [50B]のネジ8本と[80]のネジ2本と[70]の六角ナット2個を外し、INシートを外します。(図7)



(Fig. 7)

- [50B]: Bind Head Screw A3.0X8 MFZN2BL (VP156700) + バインド小ネジ  
 [70]: Hexagonal Nut 9.0 12X2 MFNI33 (LX200060) 特殊六角ナット  
 [80]: Bind Head Tapping Screw-P 4.0X10 MFZN2BL (VC383800) + バインドPタイト  
 [570C]: Bind Head Tapping Screw-B A4.0X8 MFZN2BL (VC688800) + バインドBタイト  
 [575]: Bind Head Screw A4.0X8 MFZN2BL (VP156800) + バインド小ネジ

## 7 AC7/AC5/AC3 Circuit Board (Fuse Replacement)

- ※ The AC7 circuit board is in the H7000, AC5 in the H5000 and AC3 in the H3000.
- 7-1 Remove the top cover. (See procedure 1)
  - 7-2 Remove the rear assembly. (See procedure 6-2)  
This will give you access to the fuses on the AC7/AC5/AC3 circuit board.
  - 7-3 Remove the screws marked as [60] and two (2) plastic rivets marked as [40A], and two (2) jack sockets marked as [375]. (Fig. 8)
- ※ H7000/H5000: There are four (4) screws marked as [60] on the U.S. and Canadian models, and two (2) on the European model.
  - ※ H3000: There are two (2) screws marked as [60] on the U.S. and Canadian models, and one (1) on the European model.
- 7-4 Remove the AC7/AC5/AC3 circuit board from the spacer marked as [40B]. (Fig. 8)

## 7 AC7シート/AC5シート/AC3シート (ヒューズの交換)

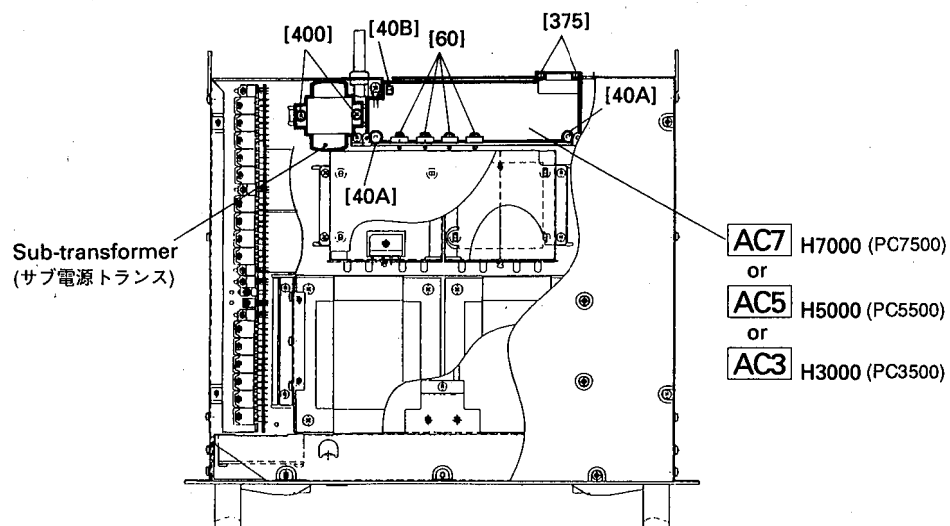
- ※ AC7シートはPC7500に、AC5シートはPC5500に、AC3シートはPC3500に取り付けられています。
- 7-1 トップカバーを外します。(1項参照)
  - 7-2 リアAss'yを外します。(6-2項参照)  
これにより、シート上のヒューズを交換することができます。
  - 7-3 [60]のネジと[40A]のプラスチックリベット2個と[375]のジャックソケット2個を外します。(図8)
- ※ [60]のネジは、PC7500/PC5500には4本、PC3500には2本あります。
- 7-4 [40B]のプラスチックリベットからAC7シート/AC5シート/AC3シートを外します。(図8)

## 8 Sub-transformer

- 8-1 Remove the top cover. (See procedure 1)
- 8-2 Remove the rear assembly. (See procedure 6-2)
- 8-3 Remove the left PA unit with the left side cover. (See procedure 4-2)
- 8-4 Remove the two (2) screws marked as [400], then remove the sub-transformer. (Fig. 8)

## 8 サブ電源トランス

- 8-1 トップカバーを外します。(1項参照)
- 8-2 リアAss'yを外します。(6-2項参照)
- 8-3 サイドカバー (左) と共に左チャンネルのPAユニットを外します。(4-2項参照)
- 8-4 [400]のネジ2本を外し、サブ電源トランスを外します。(図8)



[60]: Bind Head Screw SP 3.0X12 MFZN2Y (VB763800) + バインド小ネジ  
[400]: Bind Head Tapping Screw-B A4.0X8 MFZN2BL (VC688800) + バインドBタイト

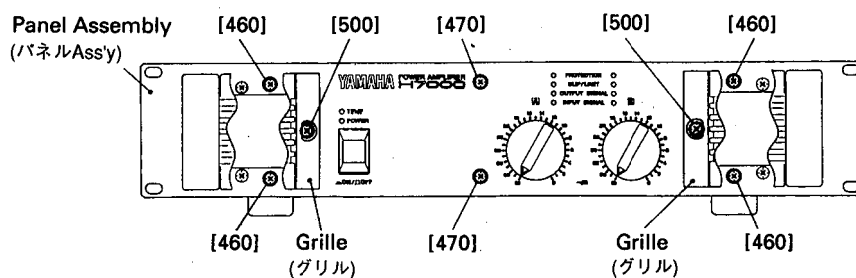
(Fig. 8)

**9 Panel Assembly**

- 9-1 Remove the top cover. (See procedure 1)
- 9-2 Loosen the two (2) screws marked as [500], then remove the right and left front grilles. (Fig. 9)
- 9-3 Remove the four (4) screws marked as [460], two (2) screws marked as [470] and four (4) screws marked as [545B], then remove the panel assembly. (Fig. 9 and Fig. 10)

**9 パネルAss'y**

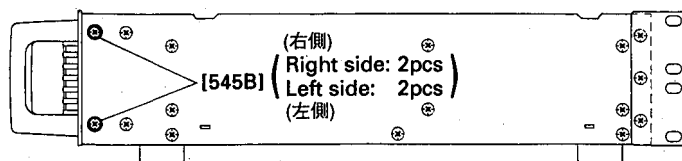
- 9-1 トップカバーを外します。(1項参照)
- 9-2 [500]のネジ2本を緩め、左右のフロントグリルを外します。(図9)
- 9-3 [460]のネジ4本と[470]のネジ2本と[545B]のネジ4本を外し、パネルAss'yを外します。(図9と図10)



[460]: Bind Head Tapping Screw-B A4.0X8 MFZN2BL (VC688800) + バインドBタイト  
[470]: Oval Head Screw 4.0X8 MFZN2BL (VS153600) + 丸皿小ネジ  
[500]: Bind Head Screw 5.0X10 MFZN2BL (EG350250) + バインド小ネジ

(Fig. 9)

**• Right side view (右側より見た図)**



[545B]: Bind Head Screw A4.0X8 MFZN2BL (VP156800) + バインド小ネジ

(Fig. 10)

### 10 FP1/3 Circuit Board

- 10-1 Remove the top cover. (See procedure 1)
- 10-2 Remove the panel assembly. (See procedure 9)
- 10-3 Remove the plastic rivet marked as [270], then remove the FP1/3 circuit board from the three (3) spacers marked as [246] and the spacer marked as [250]. (Fig. 11)

### 11 FP2/3 Circuit Board

- 11-1 Remove the top cover. (See procedure 1)
- 11-2 Remove the panel assembly. (See procedure 9)
- 11-3 Remove the FP1/3 circuit board. (See procedure 10)
- 11-4 Remove the four (4) screws marked as [247], and then remove the FP2/3 circuit board with the angle bracket. (Fig. 12)
- 11-5 Pull out the two (2) attenuator knobs. (Fig. 11)
- 11-6 Remove the two (2) hexagonal nuts marked as [A], then remove the FP2/3 circuit board. (Fig. 11 and Fig. 12)

### 12 FP3/3 Circuit Board

- 12-1 Remove the top cover. (See procedure 1)
- 12-2 Remove the panel assembly. (See procedure 9)
- 12-3 Pull out the power switch knob.
- 12-4 Remove the two (2) screws marked as [290], then the FP3/3 circuit board can be removed. (Fig. 11)

### 10 FP1/3シート

- 10-1 トップカバーを外します。(1項参照)
- 10-2 パネルAss'yを外します。(9項参照)
- 10-3 [270]のプラスチックリベットを外した後、[246]のスペーサ3個と[250]のスペーサ1個からFP1/3シートを外します。(図11)

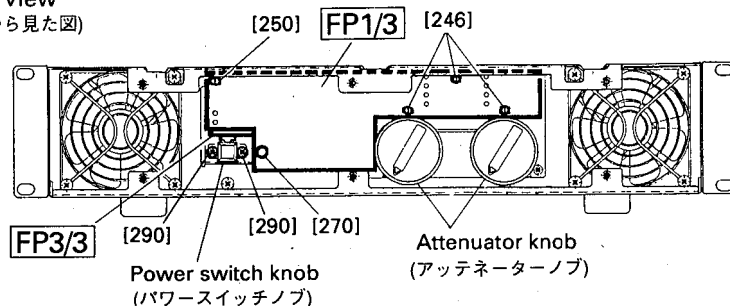
### 11 FP2/3シート

- 11-1 トップカバーを外します。(1項参照)
- 11-2 パネルAss'yを外します。(9項参照)
- 11-3 FP1/3シートを外します。(10項参照)
- 11-4 [247]のネジ4本を外し、アッテネーターアングルと共にFP2/3シートを外します。(図12)
- 11-5 アッテネーターノブを外します。(図11)
- 11-6 [A]の六角ナット2個を外し、アッテネーターアングルからFP2/3シートを外します。(図11と図12)

### 12 FP3/3シート

- 12-1 トップカバーを外します。(1項参照)
- 12-2 パネルAss'yを外します。(9項参照)
- 12-3 パワースイッチノブを外します。
- 12-4 [290]のネジ2本を外し、FP3/3シートを外します。(図11)

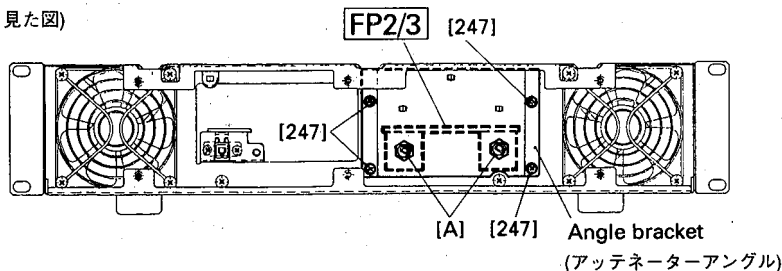
• Front view  
(前面から見た図)



[290]: Bind Head Screw A3.0X8 MFZN2BL (VP156700) + バインド小ネジ

(Fig. 11)

• Front view  
(前面から見た図)



[247]: Bind Head Tapping Screw-B A3.0X8 MFZN2BL (VP157000) + バインドBタイト

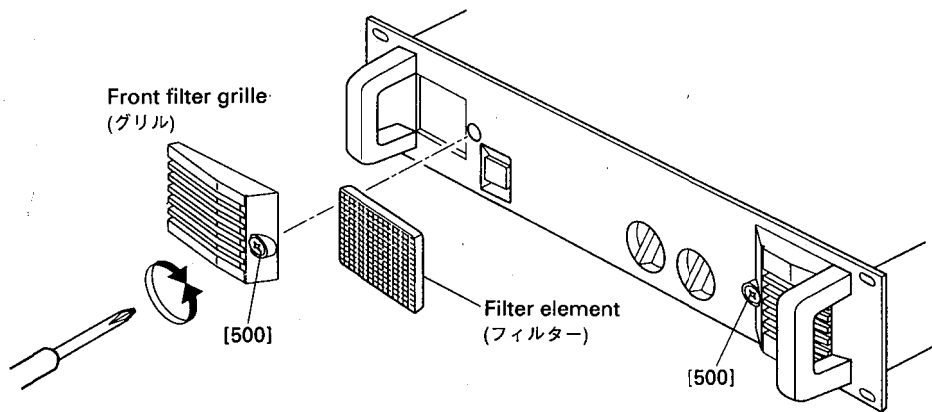
(Fig. 12)

### 13 Filter Element

- 13-1 Loosen the two (2) screws marked as [500], then remove the right and left front grilles. (Fig. 13)
- 13-2 Remove the filter elements, and wash them in plain water. If the filter elements are exceptionally dirty, detergent(washing-up liquid) may be used.
- 13-3 Dry the filter elements thoroughly.  
**NEVER REPLACE THE FILTER ELEMENTS WHILE THEY ARE STILL WET!**  
Replace the elements and front grilles.  
(Replacement part number of the filter element is VL869600.)

### 13 フィルター

- 13-1 [500]のネジ2本を緩め、左右のグリルを外します。(図13)
- 13-2 フィルターを取り外し、ホコリを取り去ります。汚れがひどい場合には、洗剤などを使用して洗浄します。  
フィルターを水洗いしたときには、十分乾燥させてから、グリルに取り付けて下さい。  
(フィルターの部品番号は、VL869600です。)

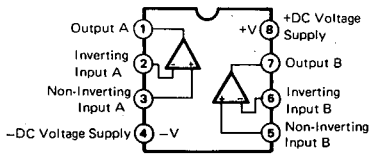


(Fig. 13)

[500]: Bind Head Screw 5.0X10 MFZN2BL (EG350250) + バインド小ネジ

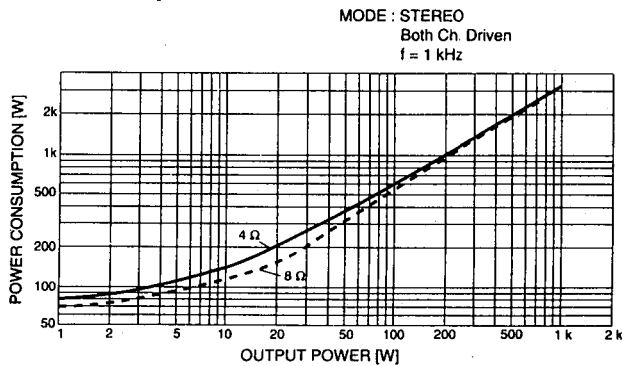
## IC BLOCK DIAGRAM (ICブロック図)

- **M5238AP (XM085A00)**  
Dual Operational Amplifier

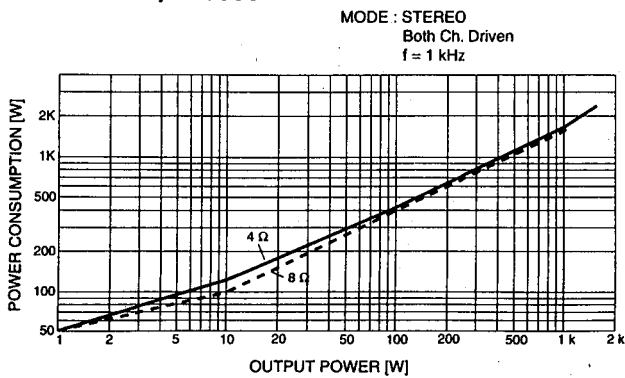


## POWER CONSUMPTION vs OUTPUT POWER GRAPH (消費電力対出力特性図)

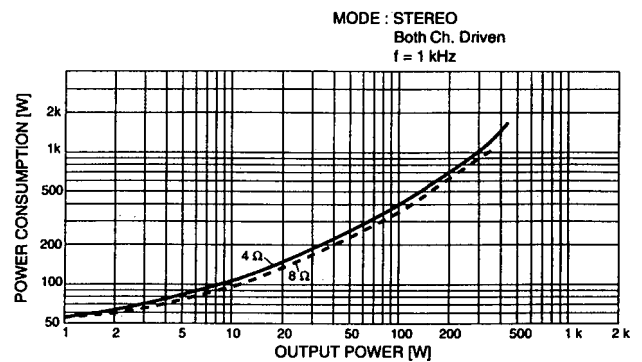
- **H7000/PC7500**



- **H5000/PC5500**



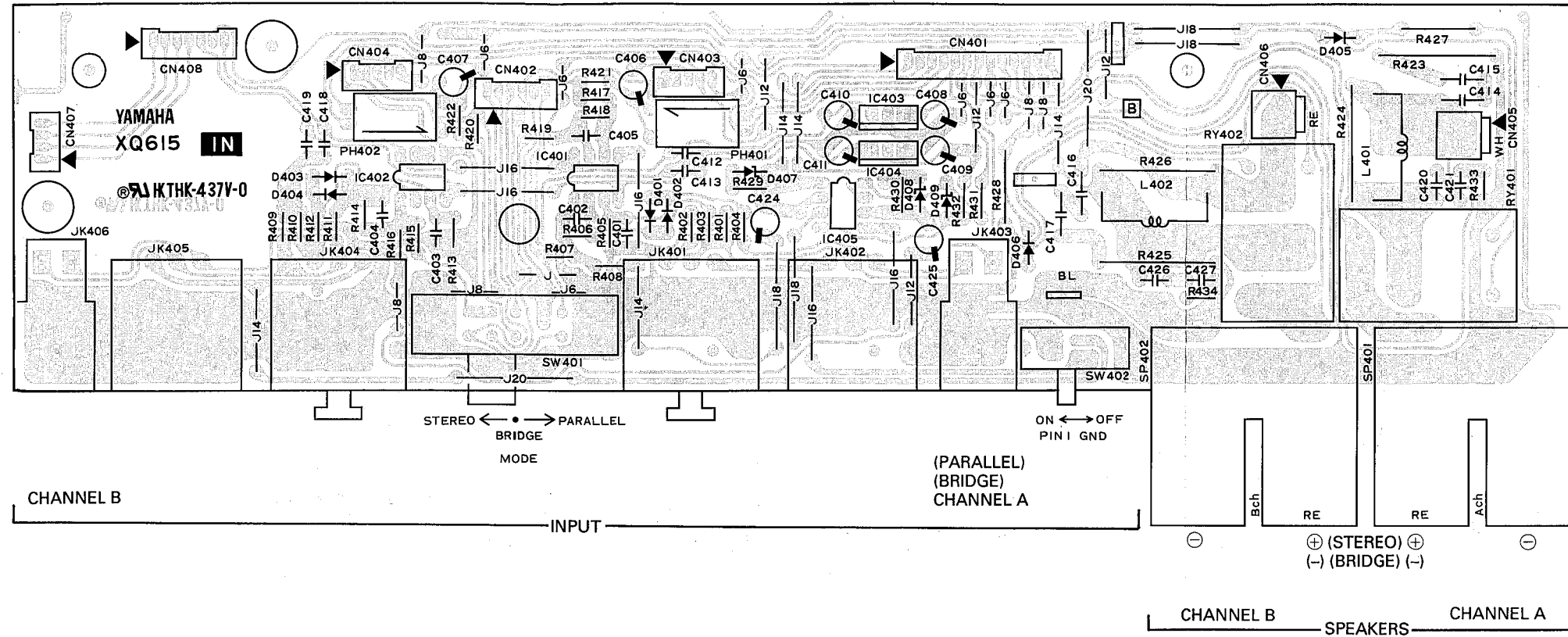
- **H3000/PC3500**





■ CIRCUIT BOARD (シート基板図)

● IN Circuit Board



Components side (部品側)

Notes

Circuit Board: IN (VT345300) XQ615B0  
(J) PC7500/PC5500/PC3500  
Circuit Board: IN (VT477200) XQ615B0  
(U,V,C,H,W,B,A)  
H7000/H5000/H3000

1. IC

IC 401,402,405: M5238AP (XM085A00) OP AMP  
IC 403: NJM7818FA (XK841A00)  
REGULATOR +18V  
IC 404: NJM7918FA (XK842A00)  
REGULATOR -18V

2. Diode

D 401-404: 1SS133,1SS176 (VB941200)  
D 405,406: 11ES4 (VB481900)

3. Zener Diode

D 407,408: MTZJ3.6A 3.6V (VQ439000)  
D 409: MTZJ33B 33.0V (VQ558500)

4. Photo Coupler

PH 401,402: P873-G35-552 (VP116000)

5. Mylar Capacitor

C 414-417: 0.1000 100V K (FZ005200)

6. Ceramic Capacitor

C 412,413,418, 419: F 0.0100 50V Z (FG644100)  
C 420,421,426, 427: B 1000P 500V K (VE302600)  
C 422,423: not installed

7. Electrolytic Cap.

C 406,407: FS 22.00 25.0V (VI533900)  
C 408,409: 33.00 35.0V (UJ857330)  
C 410,411: 47.00 25.0V (UJ847470)  
C 424,425: 3.30 50.0V (UJ866330)

8. Mica Capacitor

C 401-404: 56P 500V J (FU451560)  
C 405: 10P 500V D (FU451100)

9. Carbon Resistor

R 429,430: 1.0M 1/4 J (HF759100)  
R 431,432: 2.2K 1/4 J (HF756220)  
R 433,434: 4.7 1/4 J (HV753470)

11. Metal Film Resistor

R 401,402,409, 410: 100.0K 1/4 F (VK682700)  
R 403-406,411-414: 15.0K 1/4 F (VK682400)  
R 407,415: 18.0 1/4 F (VK680500)  
R 408,416: 10.0K 1/4 F (VK682300)  
R 417,418,420: 5.1K 1/4 F (VL403400)  
R 419: 47.0 1/4 F (VK680700)  
R 421,422: 330.0 1/4 F (VR158500)  
R 423-426: 4.7 3W J (VR147600)  
R : 47.0K 1/4 F (VB068800)

12. Metal Oxide Film Resistor

R 427,428: 150.0 1W J (VC745400)

13. Coil

L 401,402: RZ-001 (VR150900) 2u

14. Slide Switch

SW 401: SSSB12 (VR150600)  
STEREO/BRIDGE/PARALLEL  
SSSU12 (VG529800) PIN 1 GND

SW 402:

15. Phone Jack

JK 403,406: HLJ0544 STEREO (LB302070)  
BRIDGE,PARALLEL

16. Cannon Connector

JK 401,405: XLB-3-31PCV-M10 (LB302320) INPUT  
JK 402,404: XLB-3-32PCV (LB302340) INPUT

17. Speaker Terminal

SP 401: MSP207 AU (VT340600)  
SPEAKER A ch:  
J (P7500/PC5500/PC3500)  
SP 402: MSP207-1 AU (VT340700)  
SPEAKER B ch  
J (P7500/PC5500/PC3500)  
SP 401: #553 (LA005530) SPEAKER A ch:  
U,V,C,H,W,B,A  
(H7000/H5000/H3000)  
SP 402: #554 (LA005540) SPEAKER B ch:  
U,V,C,H,W,B,A  
(H7000/H5000/H3000)

18. Relay

RY 401,402: DC JC2AD-DC24V (KC001410)

19. Base Post Connector

CN 401: PH-13P TE (VF283100) to PRO-CN206  
CN 402: PH-6P TE (VB390200) to FP-CN704  
CN 403: PH-5P TE (VB390100) to A ch PA-CN5  
CN 404: PH-5P TE (VB390100) to B ch PA-CN5  
CN 405: VH-2P TE (LB932020) to A ch PA-CN3  
CN 406: VH-2P TE (LB932020) to B ch PA-CN3  
CN 407: PH-4P TE (VB390000) to AC-CN505  
CN 408: PH-7P TE (VB390300) to

20. Connector Assembly

CN 401: PH&PH 13P 60L (VR43650)

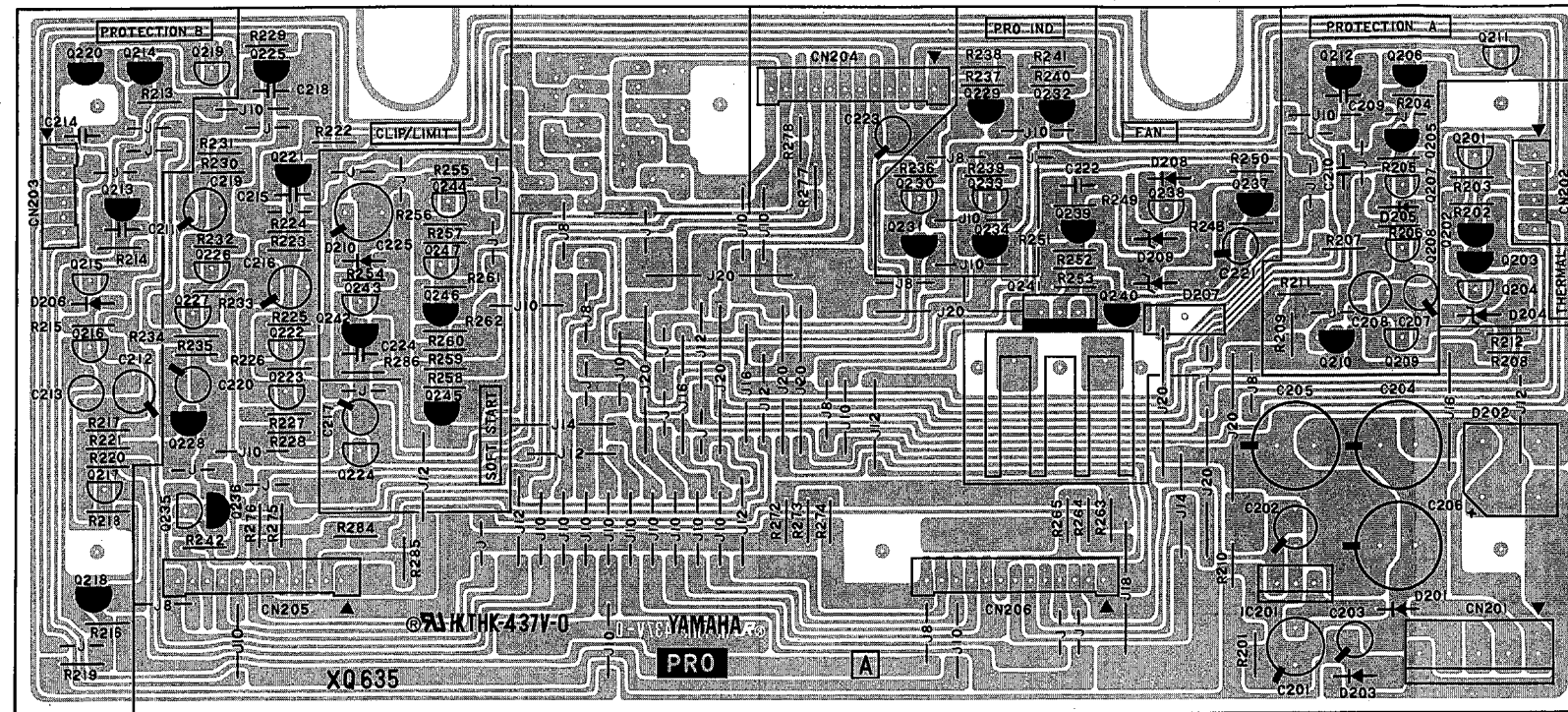
21. Terminal

(VA855400)

22. Jumper Wire

0.55 (VA078900)

• PRO Circuit Board



Components side (部品側)

Notes)

Circuit Board: PRO (VT357600) XQ635A0  
(J) PC7500/PC5500/PC3500  
Circuit Board: PRO (VT545900) XQ635A0  
(U,V,C,H,W,B,A)  
H7000/H5000/H3000

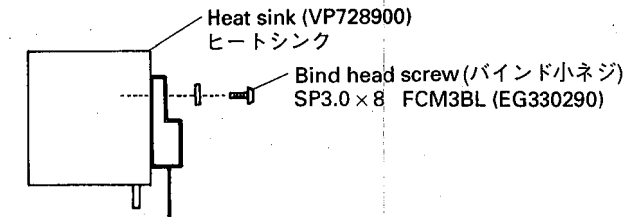
1. IC  
IC201: NJM78M05FA (XJ604A00)  
REGULATOR +5V

2. Transistor  
Q 201,204,207-209,  
215-217,222,226,  
238,244,247: 2SC2603 E,F (IC260320)  
Q 205,210,213,218,  
237,240,245: 2SA1115 E,F (IA111520)  
Q 239: 2SA1115 E,F (IA111520):  
J (PC7500/PC5500/PC3500)  
Q 239: not installed: U,V,C,H,W,B,A  
(H7000/H5000/H3000)  
Q 241: 2SA1837 (HFE) (VQ547200)

3. Digital Transistor  
Q 202,203,206,  
212,214,220,  
221,224,225,  
228,229,231,  
232,234,236,  
242,246: DTA114ES (VD678500)  
Q 211,219,223,  
227,230,233,  
235,243: DTC114ES (VD678700)  
4. Diode  
D 201,203: 1SR139-100A (VH530100)  
D 205,206,208: 1SS133,1SS176 (VB941200)  
5. Diode Stack  
D 202: S2VB20 2.0A 200V (IH001120)  
6. Zener Diode  
D 204: MTZJ3.3A 3.3V (VQ552500)  
D 207: MTZJ16A 16.0V (VQ556200)  
D 209: MTZJ10A 10.0V (VQ554800)  
D 210: MTZJ6.8B 6.8V (VQ553900)

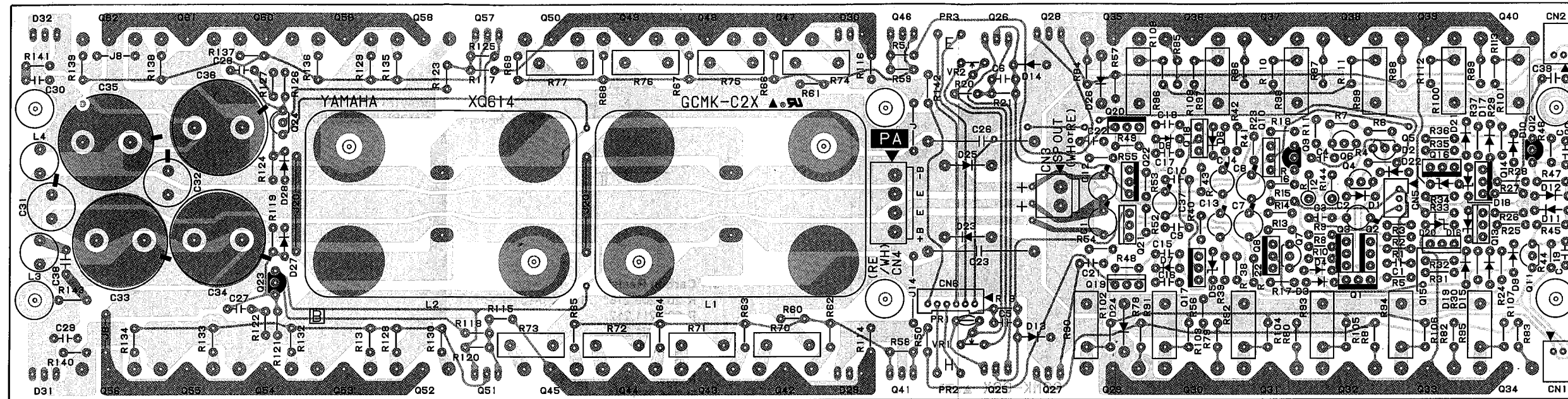
7. Ceramic Capacitor  
C 209,214,224: 0.0100 50V Z (FG644100)  
C 210,211: 100P 50V J (FG652100)  
C 215,218: 1000P 50V K (FG613100)  
C 222: 0.0100 50V Z (FG644100):  
J (PC7500/PC5500/PC3500)  
C 222: not installed: U,V,C,H,W,B,A  
(H7000/H5000/H3000)  
8. Electrolytic Cap.  
C 201: 100.00 16.0V (UJ838100)  
C 202: 100.00 10.0V (UJ828100)  
C 203: 3.30 50.0V (UJ866330)  
C 204-206: 470.00 50.0V (UJ768470)  
C 207,212: 330.00 6.3V (UJ818330)  
C 208,213: BP 47.00 6.3V (UN817470)  
C 216,219: 22.00 50.0V (UJ867220)  
C 217,220,221: 0.22 50.0V (UJ865220)  
C 223: 10.00 50.0V (UJ867100)  
C 225: 100.00 35.0V (UJ858100)

• Transistor, Q241 installing  
(トランジスタQ241の取り付け)



9. Carbon Resistor  
R 201,209,218: 15.0K 1/4 J (HF757150)  
R 202,211,212,  
220,221,223,  
230,236,239,  
259: 68.0K 1/4 J (HF757680)  
R 203: 6.8K 1/4 J (HF756680)  
R 204,213,224,  
225,227,231,  
232,234: 22.0K 1/4 J (HF757220)  
R 205,214: 47.0K 1/4 J (HF757470)  
R 206,215: 100.0K 1/4 J (HF758100)  
R 207,216: 150.0K 1/4 J (HF75815)  
R 208,217: 82.0K 1/4 J (HF757820)  
R 210,219,255,  
256: 56.0K 1/4 J (HF757560)  
R 222,229,260: 10.0K 1/4 J (HF757100)  
R 226,233: 1.2K 1/4 J (HF756120)  
R 228,235,253,  
254: 220.0 1/4 J (HF755220)  
R 237,238,240,  
241: 1.5K 1/4 J (HF756150)  
R 242,275-278,  
284,285: 270.0 1/4 J (HF755270)  
R 243-247,266-  
271,279-283: not installed  
R 248,251,252: 8.2K 1/4 J (HF756820)  
R 249,263,272: 330.0 1/4 J (HF755330)  
R 250: 5.6K 1/4 J (HF756560)  
R 257: 2.2K 1/4 J (HF756220)  
R 258,264,265,  
273,274: 3.3K 1/4 J (HF756330)  
R 261: 33.0K 1/4 J (HF757330)  
R 262: 4.7K 1/4 J (HF756470)  
R 286: 1.0K 1/4 J (HF756100)  
10. Base Post Connector  
CN 201: VH-5P TE (LB932050)  
to sub-transformer  
CN 202: PH-6P TE (VB390200) to A ch PA-  
CN6  
CN 203: PH-6P TE (VB390200) to B ch PA-  
CN6  
CN 204: PH-12P TE (VB390800) to FP-CN703  
CN 205: PH-12P TE (VB390800) to AC-CN501  
CN 206: PH-13P TE (VF283100) to IN-CN401  
11. Jumper Wire  
0.55 (VA078900)

• PA7, PA5 or PA3 Circuit Boards (H7000, H5000 or PC7500, PC5500 or PC3500)



Components side (部品側)

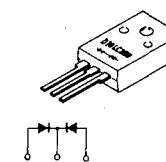
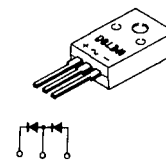
NOTE) Listed below are not parts of the PA7 circuit board, they are available as service parts of the PA7 unit.  
注意) 下記の部品は、PA7 シートのシート内部部品ではなく、PA7 ユニットの構成部品です。

- a. Pair Transistor
- Q 25/26: 2SC3421/2SA1358 O,Y (IP011600)
  - Q 27/28, 41/46: 2SC4793/2SA1837 (VQ547400)
  - Q 29/35, 30/36, 31/37, 32/38, 33/39, 34/40: 2SC3263/2SA1294 (VR152200)
  - Q 42/47, 43/48, 44/49, 45/50, 52/58, 53/59, 54/60, 55/61, 56/62: 2SC3856/2SA1492 O,P,Y (VA957300)
  - Q 51/57: 2SA1859A/2SC4883A (VR732800)
- b. Diode Stack
- D 29,30: D8LD40 8.0A 400V (VR149700)
  - D 31,32: FMX-22S (VS135800)
- c. Positive Thermistor
- PR 2: PTH9M04BH222TS2 (VL964800)
  - PR 3: PTH9M04BE222TS2 (VL965100)

NOTE) Listed below are not parts of the PA5 circuit board, they are available as service parts of the PA5 unit.  
注意) 下記の部品は、PA5 シートのシート内部部品ではなく、PA5 ユニットの構成部品です。

- a. Pair Transistor
- Q 25/26: 2SC3421/2SA1358 O,Y (IP011600)
  - Q 27/28, 41/46: 2SC4793/2SA1837 (VQ547400)
  - Q 29/35, 30/36, 31/37, 32/38, 33/39: 2SC3263/2SA1294 (VR152200)
  - Q 42/47, 43/48, 44/49, 45/50, 52/58, 53/59, 54/60, 55/61: 2SC3856/2SA1492 O,P,Y (VA957300)
  - Q 51/57: 2SA1859A/2SC4883A (VR732800)
- b. Diode Stack
- D 29,30: D8LD40 8.0A 400V (VR149700)
  - D 31,32: FMX-22S (VS135800)
- c. Positive Thermistor
- PR 2: PTH9M04BH222TS2 (VL964800)
  - PR 3: PTH9M04BE222TS2 (VL965100)

- Diode stack
- D29, D30: D8LD40 (VR149700)
- D31, D32: FMX-22S10.0A (VS135800)



注意: PC3500のPA3シートのノートは、P28とP29に掲載しています。

Notes)

Circuit Board: PA7 (VT345000) XQ614B0

1. Transistor

Q 1-3,8,14,16,17,  
20,22: 2SA1480 E,F (VR152800)  
Q 4: 2SC1473 Q,R (VR152600)  
Q 5-7: 2SC1815 Y,GR (IC1815M0)  
Q 9: 2SA1015 O,Y (IA101590)  
Q 10,13,15,18,19,  
21: 2SC3790 E,F (VR152900)  
Q 11: 2SC2603 E,F (IC260320)  
Q 12: 2SA1115 E,F (IA111520)  
Q 23: 2SA970 GR,BL (IA097030)  
Q 24: 2SC2240 GR,BL (IC224030)

2. Diode

D 1-4,9,10,27,28: 1SS133,1SS176 (VB941200)  
D 7,8: D1NL40 (VQ308300)  
D 11,12: 1SS82(52MM) TP (VE564400)  
D 13-15,17,19,21: 1SS83(52MM) 52 (VR150000)  
D 23-26: 10E-2 (IH000630)

3. Zener Diode

D 5,6,16,18,20,22: UZ-6.2BSK1-TP 6.2V (VP602700)

4. Positive Thermistor

PR 1: PTH59F04BE471TS (VE404900)

5. Mylar Capacitor

C 23,26: 4.7000 180V K (VS349500)  
C 24,25: not installed

6. Polypropylene Capacitor

C 4: 1500P 50V J (FT553150)  
C 21,22: 1000P 50V J (UT353100)

7. Ceramic Capacitor

C 5,6,19,20,38: F 0.0100 50V Z (FG644100)  
C 29,30: 2200/500 (VG929600)  
C 39: SL 10P 50V D (FG651100)

8. Electrolytic Cap.

C 2: 100.00 6.3V (UJ818100)  
C 7,8,11,12: 2.2 200.0V (VR147100)  
C 13,14: 4.7 100.0V (UJ896470)  
C 31,32: 10.0 200.0V (VR147200)  
C 33-36: PR 220.00 200.0V (VP583900)  
C 37: 10.00 50.0V (UJ867100)

9. Mica Capacitor

C 1,16,18: 100P 500V J (FU452100)  
C 3: 33P 500V J (FU451330)  
C 9,10: 22P 500V J (FU451220)  
C 15,17: 10P 500V D (FU451100)  
C 27,28: 47P 500V J (FU451470)

10. Carbon Resistor

R 12: 10K 1/2 F (VN688400)  
R 142: 1.2M 1/4 J (HF759120)  
R 143: 47.0 1/4 J (HF754470)  
R 144: 12K 1/2 F (VN688500)

11. Flame Proof Carbon Resistor

R 22,23: 820.0 1/4 J (HV755820)  
R 44,46: 270.0 1/4 J (HV755270)  
R 50,51,102-113: 22.0 1/4 J (HV754220)  
R 52,53,120,125: 330.0 1/4 J (HV755330)  
R 54,55: 220.0 1/4 J (HV755220)  
R 56,57: 120.0 1/4 J (HV755120)  
R 58,59: 2.2K 1/4 J (HV756220)  
R 60,61: 150.0 1/4 J (HV755150)  
R 62-69,114,116,  
130-139: 2.2 1/4 J (HV753220)  
R 78-89,118,123: 33.0 1/4 J (HV754330)  
R 115,117: 10.0 1/4 J (HV754100)  
R 128,129: 4.7 1/4 J (HV753470)  
R 140,141: 680.0 1/4 J (HV755680)

12. Metal Film Resistor

R 1: 100.0K 1/4 F (VK682700)  
R 2: 27.0K 1/4 F (VR157700)  
R 3,5-7: 560.0 1/4 F (VR157800)  
R 4: 470.0K 1/4 F (VB071200)  
R 8,9: 47.0K 1/4 F (VR159200)  
R 10,40,43: 220.0 1/4 F (VR158300)  
R 11: 200.0 1/4 F (HU075200)  
R 13-16: 56.0K 1/4 F (VR159600)  
R 17,18: 330.0 1/4 F (VR158500)  
R 19,21: 1.0K 1/4 F (VK681300)  
R 20: 820.00 1/4 F (VT346300)  
R 24,29,30,37: 16.0K 1/4 F (VB067800)  
R 25,28: 360.0K 1/4 F (VB070900)  
R 26,27,33,34: 20.0K 1/4 F (VB068000)  
R 31,36: 620.0K 1/4 F (VB071500)  
R 32,35: 82.0K 1/4 F (VB069400)  
R 38,39,41,42: 68.0K 1/4 F (VR159700)  
R 45,47: 22.0K 1/4 F (VB068100)  
R 48,49: RE35 5.6K 1/4 F (VI951000)  
R 119,124: RE35 2.2K 1/4 F (VI950900)  
R 121,126: 82.0K 1/4 F (VR160000)  
R 122,127: 470.0 1/4 F (VK681100)

13. Wire Wound Resistor

R 70-77: 0.10 5W K (VR150300)  
R 90-101: 0.22 5W K (VR150200)

14. Trimmer Potentiometer

VR 1,2: B 680 (VT346200) Idle current adj.

15. Coil

L 1,2: 120UH30A (VT340800) 120u  
L 3,4: FLM-0811 4R7 (VR151900) 4.7u

16. Base Post Connector

CN 1: PH-2P SE (VB858100) for adjusting  
idle current  
CN 2: PH-2P SE (VB858100) for adjusting  
idle current  
CN 3: VH-2P TE (LB932020) to IN-CN405  
or CN406  
CN 4: VH-4P TE (LB932040) to CO7-  
CN601 or CN602  
CN 5: PH-3P TE (VB389900) to IN-CN403  
or CN404  
CN 6: PH-6P TE (VB390200) to PRO-  
CN202 or CN203

17. Connector Assembly

CN 4: +-B7 (VR15380)  
CN 5: IN-NF (VT34160)  
CN 6: PRO (VT34130)

18. Jumper Wire

0.55 (VA078900)

Notes)

- Circuit Board: PA5 (VT345100) XQ614B0
1. **Transistor**  
Q 1-3,8,16,17, 20,22: 2SA1480 E,F (VR152800)  
Q 4: 2SC1473 Q,R (VR152600)  
Q 5-7: 2SC1815 Y,GR (IC1815M0)  
Q 9: 2SA1015 O,Y (IA101590)  
Q 10,15,18,19, 21: 2SC3790 E,F (VR152900)  
Q 11: 2SC2603 E,F (IC260320)  
Q 12: 2SA1115 E,F (IA111520)  
Q 23: 2SA970 GR,BL (IA097030)  
Q 24: 2SC2240 GR,BL (IC224030)
  2. **Diode**  
D 1-4,9,10,27,28: 1SS133,1SS176 (VB941200)  
D 7,8: D1NL40 (VQ308300)  
D 11,12: 1SS82(52MM) TP (VE564400)  
D 13,14,19,21: 1SS83(52MM) 52 (VR150000)  
D 23-26: 10E-2 (IH000630)
  3. **Zener Diode**  
D 5,6,20,22: UZ-6.2BSK1-TP 6.2V (VP602700)
  4. **Positive Thermistor**  
PR 1: PTH59F04BE471TS (VE404900)
  5. **Mylar Capacitor**  
C 23,26: 4.7000 180V K (VS349500)  
C 24,25: not installed
  6. **Polypropylene Capacitor**  
C 4: 1500P 50V J (FT553150)  
C 21,22: 1000P 50V J (UT353100)
  7. **Ceramic Capacitor**  
C 5,6,19,20,38: F 0.0100 50V Z (FG644100)  
C 29,30: 2200/500 (VG929600)  
C 39: SL 10P 50V D (FG651100)
  8. **Electrolytic Cap.**  
C 2: 100.00 6.3V (UJ818100)  
C 7,8,11,12: 2.2 200.0V (VR147100)  
C 13,14: 4.7 100.0V (UJ896470)  
C 31,32: 10.0 200.0V (VR147200)  
C 33-36: PR 220.00 200.0V (VP583900)  
C 37: 10.00 50.0V (UJ867100)
  9. **Mica Capacitor**  
C 1,16,18: 100P 500V J (FU452100)  
C 3: 33P 500V J (FU451330)  
C 9,10: 22P 500V J (FU451220)  
C 15,17: 10P 500V D (FU451100)  
C 27,28: 47P 500V J (FU451470)
  10. **Carbon Resistor**  
R 12: 10K 1/2 F (VN688400)  
R 143: 47.0 1/4 J (HF754470)  
R 144: 12K 1/2 F (VN688500)
  11. **Flame Proof Carbon Resistor**  
R 22,23: 820.0 1/4 J (HV755820)  
R 44,46: 270.0 1/4 J (HV755270)  
R 50,51,102-106, 108-112: 22.0 1/4 J (HV754220)  
R 52,53,120,125: 330.0 1/4 J (HV755330)  
R 54,55: 220.0 1/4 J (HV755220)  
R 56,57: 120.0 1/4 J (HV755120)  
R 58,59: 2.2K 1/4 J (HV756220)  
R 60,61: 150.0 1/4 J (HV755150)  
R 62-69,114,116, 130-133,135-138: 2.2 1/4 J (HV753220)  
R 78-82,84-88, 118,123: 33.0 1/4 J (HV754330)  
R 115,117: 10.0 1/4 J (HV754100)  
R 128,129: 4.7 1/4 J (HV753470)  
R 140,141: 680.0 1/4 J (HV755680)

12. **Metal Film Resistor**

- R 1: 100.0K 1/4 F (VK682700)  
R 2: 27.0K 1/4 F (VR157700)  
R 3,5-7: 560.0 1/4 F (VR157800)  
R 4: 470.0K 1/4 F (VB071200)  
R 8,9: 39.0K 1/4 F (VR159300)  
R 10,40,43: 220.0 1/4 F (VR158300)  
R 11: 200.0 1/4 F (HU075200)  
R 13-16: 47.0K 1/4 F (VR159200)  
R 17,18: 330.0 1/4 F (VR158500)  
R 19,21: 1.0K 1/4 F (VK681300)  
R 20: 820.00 1/4 F (VT346300)  
R 30,37: 16.0K 1/4 F (VB067800)  
R 25,28: not installed  
R 33,34: 20.0K 1/4 F (VB068000)  
R 31,36: 620.0K 1/4 F (VB071500)  
R 32,35: 82.0K 1/4 F (VB069400)  
R 38,39,41,42: 56.0K 1/4 F (VR159600)  
R 45,47: 18.0K 1/4 F (VB067900)  
R 48,49: RE35 5.6K 1/4 F (VI951000)  
R 119,124: RE35 2.2K 1/4 F (VI950900)  
R 121,126: 82.0K 1/4 F (VR160000)  
R 122,127: 470.0 1/4 F (VK681100)  
R 142: 1.0M 1/4 J (VB072000)

13. **Wire Wound Resistor**

- R 70-77: 0.10 5W K (VR150300)  
R 90-94,96-100: 0.22 5W K (VR150200)

14. **Trimmer Potentiometer**

- VR 1,2: B 680 (VT346200) Idle current adj.

15. **Coil**

- L 1,2: 120UH30A (VT340800) 120u  
L 3,4: FLM-0811 4R7 (VR151900) 4.7u

16. **Base Post Connector**

- CN 1: PH-2P SE (VB858100) for adjusting idle current  
CN 2: PH-2P SE (VB858100) for adjusting idle current  
CN 3: VH-2P TE (LB932020) to IN-CN405 or CN406  
CN 4: VH-4P TE (LB932040) to CO7-CN601 or CN602  
CN 5: PH-3P TE (VB389900) to IN-CN403 or CN404  
CN 6: PH-6P TE (VB390200) to PRO-CN202 or CN203

17. **Connector Assembly**

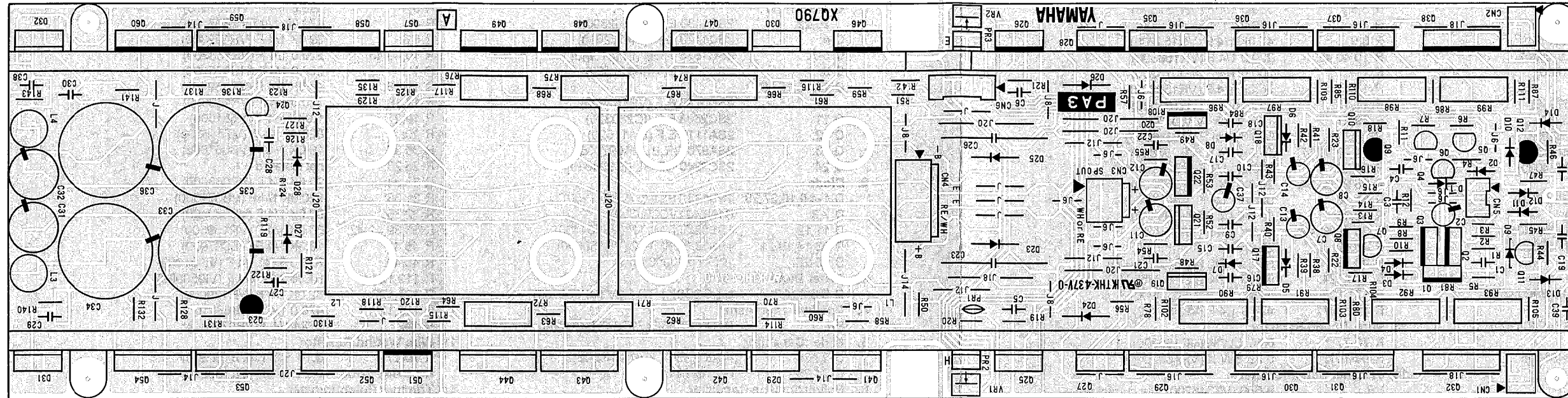
- CN 4: +-B7 (VR15380)  
CN 5: IN-NF (VT34160)  
CN 6: PRO (VT34130)

18. **Jumper Wire**

- 0.55 (VA078900)



● PA3 Circuit Board (H3000)



Components side (部品側)

Notes

- Circuit Board: PA3 (VT345200) XQ614B0 (J) PC3500  
Circuit Board: PA3 (VT345200) XQ790A0 (U,V,C,H,W,B,A) H3000

1. Transistor  
Q 1-3,8,17,20,22: 2SA1480 E,F (VR152800)  
Q 4: 2SC1473 Q,R (VR152600)  
Q 5-7: 2SC1815 Y,GR (IC1815M0)  
Q 9: 2SA1015 O,Y (IA101590)  
Q 10,18,19,21: 2SC3790 E,F (VR152900)  
Q 11: 2SC2603 E,F (IC260320)  
Q 12: 2SA1115 E,F (IA111520)  
Q 23: 2SA970 GR,BL (IA097030)  
Q 24: 2SC2240 GR,BL (IC224030)
2. Diode  
D 1-4,9,10,27,28: 1SS133,1SS176 (VB941200)  
D 7,8: D1NL40 (VQ308300)  
D 11-14: 1SS82(52MM) TP (VE564400)  
D 23-26: 10E-2 (IH000630)
3. Zener Diode  
D 5,6: UZ-6.2BSK1-TP 6.2V (VP602700)
4. Positive Thermistor  
PR 1: PTH59F04BE471TS (VE404900)
5. Mylar Capacitor  
C 23,26: 4.7000 180V K (VS349500)  
C 24,25: not installed
6. Polypropylene Capacitor  
C 4: 1500P 50V J (FT553150)  
C 21,22: 1000P 50V J (UT353100)
7. Ceramic Capacitor  
C 5,6,19,20,38: F 0.0100 50V Z (FG644100)  
C 29,30: 2200/500 (VG929600)  
C 39: SL 10P 50V D (FG651100)
8. Electrolytic Cap.  
C 2: 100.00 6.3V (UJ818100)  
C 7,8,11,12: 2.2 200.0V (VR147100)  
C 13,14: 4.7 100.0V (UJ896470)  
C 31,32: 10.0 200.0V (VR147200)  
C 33-36: PR 220.00 200.0V (VP583900)  
C 37: 10.00 50.0V (UJ867100)

9. Mica Capacitor  
C 1,16,18: 100P 500V J (FU452100)  
C 3: 33P 500V J (FU451330)  
C 9,10: 22P 500V J (FU451220)  
C 15,17: 10P 500V D (FU451100)  
C 27,28: 47P 500V J (FU451470)
10. Carbon Resistor  
R 12: 10K 1/2 F (VN688400) J (PC3500)  
R 12: 22.0K 1/4 F (VB068100)  
U,V,C,H,W,B,A (H3500)  
R 143: 47.0 1/4 J (HF754470) J (PC3500)  
R 143: 33.0 1/4 J (HF754330)  
U,V,C,H,W,B,A (H3000)  
R 144: 12K 1/2 F (VN688500) J (PC3500)
11. Flame Proof Carbon Resistor  
R 22,23: 820.0 1/4 J (HV755820)  
R 44,46: 270.0 1/4 J (HV755270)  
R 50,51,102-105,108-111: 22.0 1/4 J (HV754220)  
R 52,53,120,125: 330.0 1/4 J (HV755330)  
R 54,55: 220.0 1/4 J (HV755220)  
R 56,57: 120.0 1/4 J (HV755120)  
R 58,59: 2.2K 1/4 J (HV756220)  
R 60,61: 150.0 1/4 J (HV755150)  
R 62-64,66-68,114,116,130-132,135-137: 2.2 1/4 J (HV753220)  
R 78-81,84-87,118,123: 33.0 1/4 J (HV754330)  
R 115,117: 10.0 1/4 J (HV754100)  
R 128,129: 4.7 1/4 J (HV753470)  
R 140,141: 680.0 1/4 J (HV755680)
12. Metal Film Resistor  
R 1: 100.0K 1/4 F (VK682700)  
R 2: 27.0K 1/4 F (VR157700)  
R 3,5-7: 560.0 1/4 F (VR157800)  
R 4: 470.0K 1/4 F (VB071200)  
R 8,9: 33.0K 1/4 F (VR159400)  
R 10,40,43: 220.0 1/4 F (VR158300)  
R 11: 200.0 1/4 F (HU075200)  
R 13-16: 39.0K 1/4 F (VR159300)

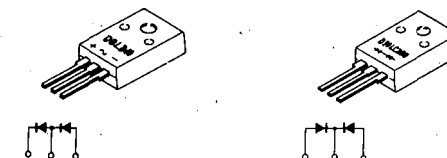
- R 17,18: 330.0 1/4 F (VR158500)  
R 19,21: 1.0K 1/4 F (VK681300)  
R 20: 820.00 1/4 F (VT346300)  
R 24,29,30,37: 16.0K 1/4 F (VB067800)  
R 25,28: 360.0K 1/4 F (VB070900)  
R 26,27,33,34: 20.0K 1/4 F (VB068000)  
R 31,36: 620.0K 1/4 F (VB071500)  
R 32,35: 82.0K 1/4 F (VB069400)  
R 38,39,41,42: 47.0K 1/4 F (VR159200)  
R 45,47: 15.0K 1/4 F (VA074600)  
R 48,49: RE35 5.6K 1/4 F (VI951000)  
R 119,124: RE35 2.2K 1/4 F (VI950900)  
R 121,126: 82.0K 1/4 F (VR160000)  
R 122,127: 470.0 1/4 F (VK681100)  
R 142: 820.0K 1/4 J (VB071800)
13. Wire Wound Resistor  
R 70-72,74-76: 0.10 5W K (VR150300)  
R 90-93,96-99: 0.22 5W K (VR150200)
14. Trimmer Potentiometer  
VR 1,2: B 680 (VT346200) Idle current adj.
15. Coil  
L 1,2: 120UH30A (VT340800) 120u  
L 3,4: FLM-0811 4R7 (VR151900) 4.7u
16. Base Post Connector  
CN 1: PH-2P SE (VB858100) for adjusting idle current  
CN 2: PH-2P SE (VB858100) for adjusting idle current  
CN 3: VH-2P TE (LB932020) to IN-CN405 or CN406  
CN 4: VH-4P TE (LB932040) to CO7-CN601 or CN602  
CN 5: PH-3P TE (VB389900) to IN-CN403 or CN404  
CN 6: PH-6P TE (VB390200) to PRO-CN202 or CN203
17. Connector Assembly  
CN 4: +B7 (VR15380)  
CN 5: IN-NF (VT34160)  
CN 6: PRO (VT34130)

18. Jumper Wire  
0.55 (VA078900)

NOTE) Listed below are available as service parts of the PA3 circuit board (VT466500).  
注意) 下記の部品は、PA3 シート(VT345200)のシート内部品ではなく、PA3 ユニットの構成部品です。

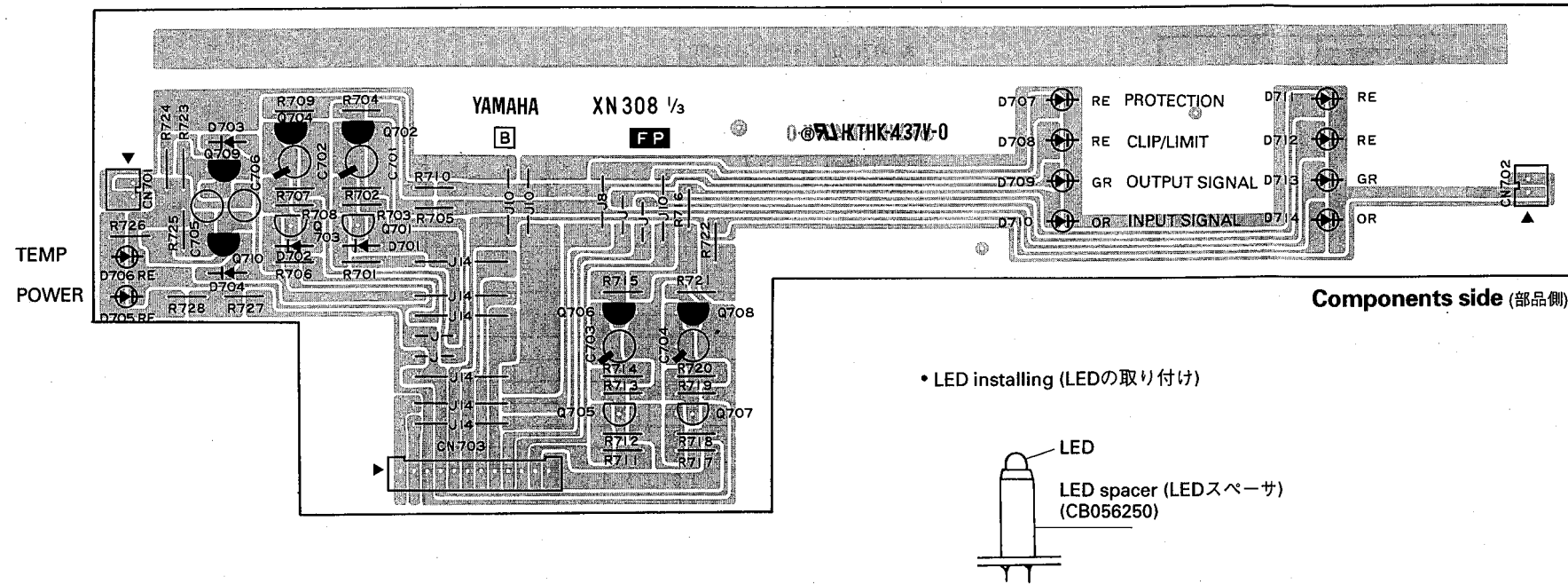
- a. Pair Transistor  
Q 25/26: 2SC3421/2SA1358 O,Y (IP011600) J (PC3500)  
Q 25/26: 2SC4793/2SA1837 (VQ547400) U,V,C,H,W,B,A, (H3000)  
Q 27/28,41/46: 2SC4793/2SA1837 (VQ547400)  
Q 29/35,30/36,31/37,32/38: 2SC3263/2SA1294 (VR152200)  
Q 42/47,43/48,44/49,52/58,53/59,54/60: 2SC3856/2SA1492 O,P,Y (VA957300)  
Q 51/57: 2SA1859A/2SC4883A (VR732800)
- b. Diode Stack  
D 29,30: D8LD40 8.0A 400V (VR149700)  
D 31,32: FMX-22S (VS135800)
- c. Positive Thermistor  
PR 2: PTH9M04BH222TS2 (VL964800)  
PR 3: PTH9M04BE222TS2 (VL965100)

- Diode stack  
D29, D30: D8LD40 (VR149700)  
D31, D32: FMX-22S10.0A (VS135800)

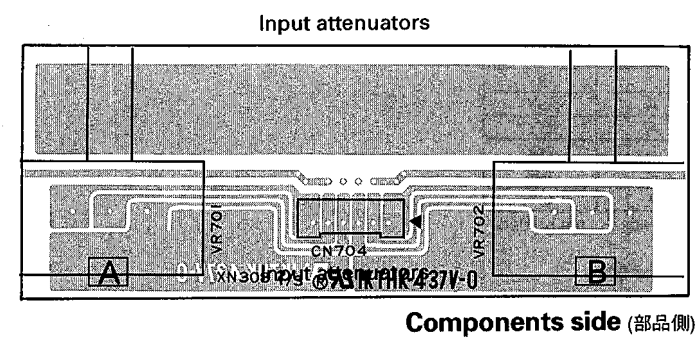


注意: PC3500のPA3シートのシート基板図は、P24とP25に掲載しています。

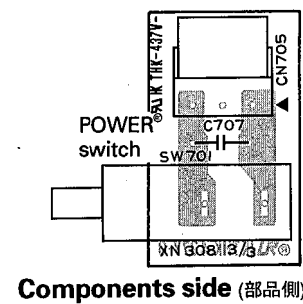
• FP1/3 Circuit Board



• FP2/3 Circuit Board



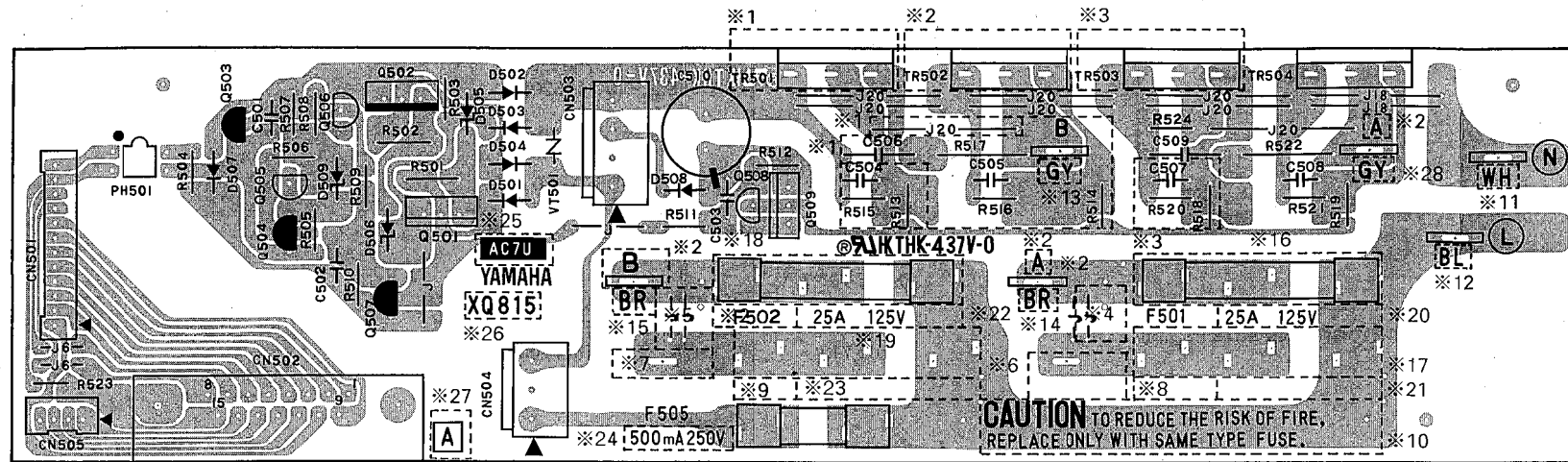
• FP3/3 Circuit Board



Notes)

- Circuit Board: FP1/3 (NX813600) XN308B0  
FP2/3 (NX813610) XN308B0  
FP3/3 (NX813620) XN308B0
- Transistor**  
Q 705,707: 2SC2603 E,F (IC260320)  
Q 709,710: 2SA1115 E,F (IA111520)
  - Digital Transistor**  
Q 701,703: DTC114ES (VD678700)  
Q 702,704,706,708: DTA114ES (VD678500)
  - Diode**  
D 701-704: 1SS133,1SS176 (VB941200)
  - LED**  
D 705-708,711,712: GL3PR8 RE (VG261500) POWER, TEMP, PROTECTION, CLIP/LIMIT  
D 709,713: GL3HY8 YE (VN327200) OUTPUT SIGNAL  
D 710,714: GL3KG8 GR (VN434000) INPUT SIGNAL
  - Electrolytic Cap.**  
C 701,702: 0.22 50.0V (UJ865220)  
C 703,704: 1.00 50.0V (UJ866100)  
C 705: BP 3.30 50.0V (UK866330)  
C 706: BP 2.20 50.0V (UK866220)
  - Capacitor**  
C 707: 1000P 400V (F1383100)
  - Carbon Resistor**  
R 701,702,706,707,713,719: 22.0K 1/4 J (HF757220)  
R 703,708,714,720: 220.0 1/4 J (HF755220)  
R 704,705,709,710,715,716,721,722,727,728: 1.5K 1/4 J (HF756150)  
R 711,717: 4.7K 1/4 J (HF756470)  
R 712,718: 47.0K 1/4 J (HF757470)  
R 724: 15.0K 1/4 J (HF757150)  
R 723: 150.0K 1/4 J (HF75815)  
R 725: 100.0K 1/4 J (HF758100)  
R 726: 3.3K 1/4 J (HF756330)
  - Rotary Variable Resistor**  
VR 701,702: 5K RK271112 (VR150500) INPUT attenuation
  - Push Switch**  
SW 701: ESB-8215V-F (KA805150) POWER switch
  - Base Post Connector**  
CN 701: PH- 2P TE (VB389800) to Fan (A ch)  
CN 702: PH- 2P TE (VB389800) to Fan (B ch)  
CN 703: PH-12P TE (VB390800) to PRO-CN201  
CN 704: PH- 6P TE (VB390200) to IN-CN402  
CN 705: VH- 3P SE (LB933030) to AC-CN504
  - Connector Assembly**  
CN 703: PH&PH 12P 300L (VR16500)  
CN 704: VR (VR15360)  
CN 705: SW (VR15500)
  - Jumper Wire**  
0.55 (VA078900)

• AC7, AC5 or AC3 Circuit Boards (H7000, H5000 or H3000)



Components side (部品側)

● H7000/H5000/H3000

CIRCUIT BOARD	※1	※2	※3	※4	※5	※6	※7	※8	※9	※10
AC7(VT544900)	○	○	○	×	×	×	×	×	○	○
AC7(VT545000)	○	○	○	○	○	○	×	×	○	×
AC7(VT545100)	×	○	×	×	×	○	○	○	○	×
AC5(VT545200)	○	○	○	×	×	×	×	×	×	○
AC5(VT545300)	○	○	○	○	○	○	×	×	○	×
AC5(VT545400)	×	○	×	×	×	×	○	○	○	×
AC3(VT545500)	×	×	○	×	×	×	×	×	×	○
AC3(VT545600)	×	×	○	○	×	×	×	×	○	×
AC3(VT545700)	×	×	×	×	×	○	×	○	×	×

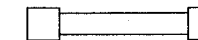
CIRCUIT BOARD	※11	※12	※13	※14	※15	※16	※17	※18	※19
AC7(VT544900)	WH	BL	GY	BR	BR	①	×	①	×
AC7(VT545000)	WH	BL	GY	BR	BR	①	①	①	①
AC7(VT545100)	BE	BR	GY	RE/BE	RE/BE	②	②	②	②
AC5(VT545200)	WH	BL	BR	BR	GY	①	×	①	×
AC5(VT545300)	WH	BL	BR	BR	GY	①	①	①	①
AC5(VT545400)	BE	BR	GY	RE/BE	RE/BE	②	②	②	②
AC3(VT545500)	WH	BL	×	GY	×	①	×	×	×
AC3(VT545600)	WH	BL	×	GY	×	①	①	×	×
AC3(VT545700)	BE	BR	×	RE/BE	×	②	②	×	×

CIRCUIT BOARD	※20	※21	※22	※23	※24
AC7(VT544900)	25A 125V	×	25A 125V	×	500mA 250V
AC7(VT545000)	12A 250V	12A 250V	12A 250V	12A 250V	500mA 250V
AC7(VT545100)	5A H 250V	5A H 250V	5A H 250V	5A H 250V	T1A H 250V
AC5(VT545200)	20A 125V	×	20A 125V	×	500mA 250V
AC5(VT545300)	10A 250V	10A 250V	10A 250V	10A 250V	500mA 250V
AC5(VT545400)	4A H 250V	4A H 250V	4A H 250V	4A H 250V	T1A H 250V
AC3(VT545500)	25A 125V	×	×	×	500mA 250V
AC3(VT545600)	12A 250V	12A 250V	×	×	500mA 250V
AC3(VT545700)	5A H 250V	5A H 250V	×	×	T1A H 250V

CIRCUIT BOARD	※25	※26	※27	※28
AC7(VT544900)	AC7U	XQ815	A	GY
AC7(VT545000)	AC7C	XQ816	A	GY
AC7(VT545100)	AC7H	XQ817	A	GY
AC5(VT545200)	AC5J	XQ818	A	GY
AC5(VT545300)	AC5C	XQ819	A	GY
AC5(VT545400)	AC5H	XQ820	A	GY
AC3(VT545500)	AC3J	XQ821	B	BR
AC3(VT545600)	AC3C	XQ822	B	BR
AC3(VT545700)	AC3H	XQ823	A	GY

(○: printed ×: not printed)

marked ①:



marked ②:

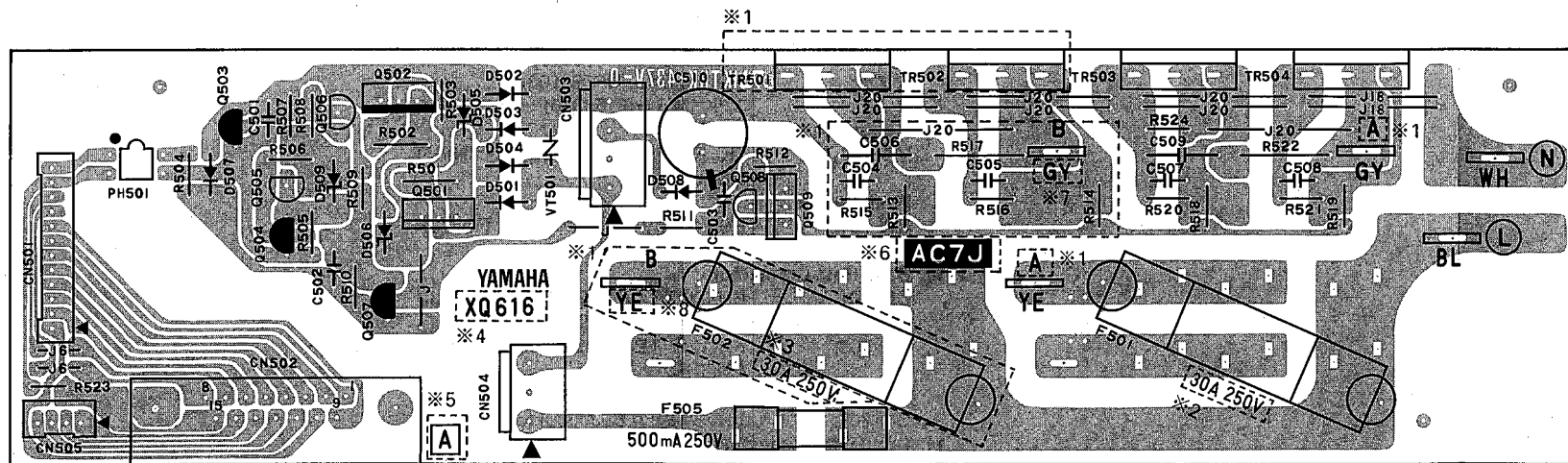


● PC7500/PC5500/PC3500

CIRCUIT BOARD	※1	※2	※3	※4	※5	※6	※7	※8
AC7(VT345400)	○	30A 250V	30A 250V	XQ816	A	AC7J	GY	YE
AC5(VT345500)	○	25A 250V	25A 250V	XQ817	A	AC5J	YE	GY
AC3(VT345600)	×	30A 250V	×	XQ818	A	AC3J	×	×

(○: printed ×: not printed)

• AC7, AC5 or AC3 Circuit Boards (PC7500, PC5500 or PC3500)



Components side (部品側)



Notes)

- Circuit Board: AC7 (VT345400) XQ616A0 (J) PC7500  
AC7 (VT544900) XQ815A0 (U,V) H7000  
AC7 (VT545000) XQ816A0 (C) H7000  
AC7 (VT545100) XQ817A0 (H,W,B,A) H7000
- Transistor**  
Q 501: 2SC3352 (VR157600)  
Q 502: 2SA1614 Q,P (VR181900)  
Q 503,504,507: 2SA1115 E,F (IA111520)  
Q 505,506,508: 2SC2603 E,F (IC260320)  
Q 509: 2SD1762 (VC139800)
  - Diode**  
D 501-504,508: 11ES4 (VB481900)  
D 507: 1SS133,1SS176 (VB941200)
  - Zener Diode**  
D 505,506: MTZJ22A 22.0V (VQ557000)  
D 509: MTZJ8.2B 8.2V (VQ554500)
  - Varistor**  
VT 501: ERZ-V07D431 (VR871700)
  - Photo Coupler**  
PH 501: PC818 (VR153000)
  - Mylar Capacitor**  
C 506,509: 0.1000 400V K (VR147500)
  - Monolithic Mylar Capacitor**  
C 501: 0.22 50V J (VE326400)
  - Ceramic Capacitor**  
C 502,503,505,508: 0.0100 50V Z (FG644100)  
C 504,507: 0.0100 50V Z (FG644100) J,U,V,C
  - Electrolytic Cap.**  
C 510: 2200 16.0V (UJ739220)
  - Carbon Resistor**  
R 503,509,512: 47.0K 1/4 J (HF757470)  
R 504: 8.2K 1/4 J (HF756820)  
R 505,506: 10.0K 1/4 J (HF757100)  
R 507,510,511: 22.0K 1/4 J (HF757220)  
R 508: 470.0 1/4 J (HF755470)  
R 513,518: 220.0 1/4 J (HF755220) J,U,V,C  
R 514,519: 220.0 1/4 J (HF755220)  
R 515,520: 1.0K 1/4 J (HF756100) J,U,V,C  
R 516,521: 1.0K 1/4 J (HF756100)  
R 524: 1.0M 1/4 J (HF759100)
  - Flame Proof Carbon Resistor**  
R 523: 1.0 1/4 J (HV753100)
  - Metal Oxide Film Resistor**  
R 501,502: 47K 1W J (VQ883800)  
R 517,522: 100.0 1W J (VC731200)
  - Fuse**  
F 501,502: T 30.00A (VT340900) J  
F 501,502: SB 25.00A (VT580800) U,V  
F 501-504: SB 12.00A (VT580700) C  
F 501-504: T 5.00A 250V (KB003350) H,W,B,A  
F 505: T 500mA 250V (KB003470) J,U,V,C  
F 505: T 1.00A 250V (KB003280) H,W,B,A
  - D-sub Connector**  
CN 502: 17LE-15P SE (VT362400) MONITOR/REMOTE
  - Base Post Connector**  
CN 501: PH-12P TE (VB390800) to PRO-CN205  
CN 503: VH-4P TE (LB932040) to sub-transformer  
CN 504: VH-3P TE (LB932030) to FP-CN705 (POWER switch)  
CN 505: PH-4P TE (VB390000) to IN-CN407

16. Connector Assembly

- CN 501: PH&PH 12P 140L (VR77680)  
CN 505: PH&PH 4P 80L (VR77690)

17. Terminal

(VA855400)

18. Jumper Wire

0.55 (VA078900)

NOTE) Listed below are not parts of the AC7 circuit board, they are available as service parts of the AC7 unit.

注意) 下記の部品は、AC7 シートのシート内部部品ではなく、AC7 ユニットの構成部品です。

a. Thylistor

- TR 501-504: SM25GZ51 25.00A (VR160900) J,U,V,C  
TR 502,504: SM25JZ51 25.00A (VR161000) H,W,B,A

Notes)

- Circuit Board: AC5 (VT345500) XQ617A0 (J) PC5500  
AC5 (VT545200) XQ818A0 (U,V) H5000  
AC5 (VT545300) XQ819A0 (C) H5000  
AC5 (VT545400) XQ820A0 (H,W,B,A) H50000

1. Transistor

- Q 501: 2SC3352 (VR157600)  
Q 502: 2SA1614 Q,P (VR181900)  
Q 503,504,507: 2SA1115 E,F (IA111520)  
Q 505,506,508: 2SC2603 E,F (IC260320)  
Q 509: 2SD1762 (VC139800)

2. Diode

- D 501-504,508: 11ES4 (VB481900)  
D 507: 1SS133,1SS176 (VB941200)

3. Zener Diode

- D 505,506: MTZJ22A 22.0V (VQ557000)  
D 509: MTZJ8.2B 8.2V (VQ554500)

4. Varistor

- VT 501: ERZ-V07D431 (VR871700)

5. Photo Coupler

- PH 501: PC818 (VR153000)

6. Mylar Capacitor

- C 506,509: 0.1000 400V K (VR147500)

7. Monolithic Mylar Capacitor

- C 501: 0.22 50V J (VE326400)

8. Ceramic Capacitor

- C 502,503,505,508: 0.0100 50V Z (FG644100)  
C 504,507: 0.0100 50V Z (FG644100) J,U,V,C

9. Electrolytic Cap.

- C 510: 2200 16.0V (UJ739220)

10. Carbon Resistor

- R 503,509,512: 47.0K 1/4 J (HF757470)  
R 504: 8.2K 1/4 J (HF756820)  
R 505,506: 10.0K 1/4 J (HF757100)  
R 507,510,511: 22.0K 1/4 J (HF757220)  
R 508: 470.0 1/4 J (HF755470)  
R 513,518: 220.0 1/4 J (HF755220) J,U,V,C  
R 514,519: 220.0 1/4 J (HF755220)  
R 515,520: 1.0K 1/4 J (HF756100) J,U,V,C  
R 516,521: 1.0K 1/4 J (HF756100)  
R 524: 1.0M 1/4 J (HF759100)

**11. Flame Proof Carbon Resistor**

R 523: 1.0 1/4 J (HV753100)

**12. Metal Oxide Film Resistor**

R 501,502: 47K 1W J (VQ883800)  
R 517,522: 100.0 1W J (VC731200)

**13. Fuse**

F 501,502: T 25.00A (VT341000) J  
F 501,502: 20.00A (VJ087400) U,V  
F 501-504: 10.00A (VD370900) C  
F 501-504: T 4.00A (KB003340) H,W,B,A  
F 505: T 500mA 250V (KB003470) J,U,V,C  
F 505: T 1.00A 250V (KB003280) H,W,B,A

**14. D-sub Connector**

CN 502: 17LE-15P SE (VT362400)  
MONITOR/REMOTE

**15. Base Post Connector**

CN 501: PH-12P TE (VB390800) to PRO-  
CN205  
CN 503: VH-4P TE (LB932040)  
to sub-transformer  
CN 504: VH-3P TE (LB932030) to FP-CN705  
(POWER switch)  
CN 505: PH-4P TE (VB390000) to IN-CN407

**16. Connector Assembly**

CN 501: PH&PH 12P 140L (VR77680)  
CN 505: PH&PH 4P 80L (VR77690)

**17. Terminal**

(VA855400)

**18. Jumper Wire**

0.55 (VA078900)

NOTE) Listed below are not parts of the AC5 circuit board, they are available as service parts of the AC5 unit.

注意) 下記の部品は、AC5 シートのシート内部品ではなく、AC5 ユニットの構成部品です。

**a. Thylistor**

TR 501-504: SM25GZ51 25.00A (VR160900)  
J,U,V,C  
TR 502,504: SM25JZ51 25.00A (VR161000)  
H,W,B,A

**Notes)**

Circuit Board: AC3 (VT345600) XQ618A0  
(J) PC3500  
AC3 (VT545500) XQ821A0  
(U,V) H3000  
AC3 (VT545600) XQ822A0  
(C) H3000  
AC3 (VT545700) XQ823A0  
(H,W,B,A) H30000

**1. Transistor**

Q 501: 2SC3352 (VR157600)  
Q 502: 2SA1614 Q,P (VR181900)  
Q 503,504,507: 2SA1115 E,F (IA111520)  
Q 505,506,508: 2SC2603 E,F (IC260320)  
Q 509: 2SD1762 (VC139800)

**2. Diode**

D 501-504,508: 11ES4 (VB481900)  
D 507: 1SS133,1SS176 (VB941200)

**3. Zener Diode**

D 505,506: MTZJ22A 22.0V (VQ557000)  
D 509: MTZJ8.2B 8.2V (VQ554500)

**4. Varistor**

VT 501: ERZ-V07D431 (VR871700)

**5. Photo Coupler**

PH 501: PC818 (VR153000)

**6. Mylar Capacitor**

C 509: 0.1000 400V K (VR147500)

**7. Monolithic Mylar Capacitor**

C 501: 0.22 50V J (VE326400)

**8. Ceramic Capacitor**

C 502,503,508: 0.0100 50V Z (FG644100)  
C 507: 0.0100 50V Z (FG644100) J,U,V,C

**9. Electrolytic Cap.**

C 510: 2200 16.0V (UJ739220)

**10. Carbon Resistor**

R 503,509,512: 47.0K 1/4 J (HF757470)  
R 504: 8.2K 1/4 J (HF756820)  
R 505,506: 10.0K 1/4 J (HF757100)  
R 507,510,511: 22.0K 1/4 J (HF757220)  
R 508: 470.0 1/4 J (HF755470)  
R 518: 220.0 1/4 J (HF755220) J,U,V,C  
R 519: 220.0 1/4 J (HF755220)  
R 520: 1.0K 1/4 J (HF756100) J,U,V,C  
R 521: 1.0K 1/4 J (HF756100)  
R 524: 1.0M 1/4 J (HF759100)

**11. Flame Proof Carbon Resistor**

R 523: 1.0 1/4 J (HV753100)

**12. Metal Oxide Film Resistor**

R 501,502: 47K 1W J (VQ883800)  
R 522: 100.0 1W J (VC731200)

**13. Fuse**

F 501: T 30.00A (VT340900) J  
F 501: SB 25.00A (VT580800) U,V  
F 501,503: SB 12.00A (VT580700) C  
F 501,503: T 5.00A 250V (KB003350) H,W,B,A  
F 505: T 500mA 250V (KB003470) J,U,V,C  
F 505: T 1.00A 250V (KB003280) H,W,B,A

**14. D-sub Connector**

CN 502: 17LE-15P SE (VT362400)  
MONITOR/REMOTE

**15. Base Post Connector**

CN 501: PH-12P TE (VB390800) to PRO-  
CN205  
CN 503: VH-4P TE (LB932040)  
to sub-transformer  
CN 504: VH-3P TE (LB932030) to FP-CN705  
(POWER switch)  
CN 505: PH-4P TE (VB390000) to IN-CN407

**16. Connector Assembly**

CN 501: PH&PH 12P 140L (VR77680)  
CN 505: PH&PH 4P 80L (VR77690)

**17. Terminal**

(VA855400)

**18. Jumper Wire**

0.55 (VA078900)

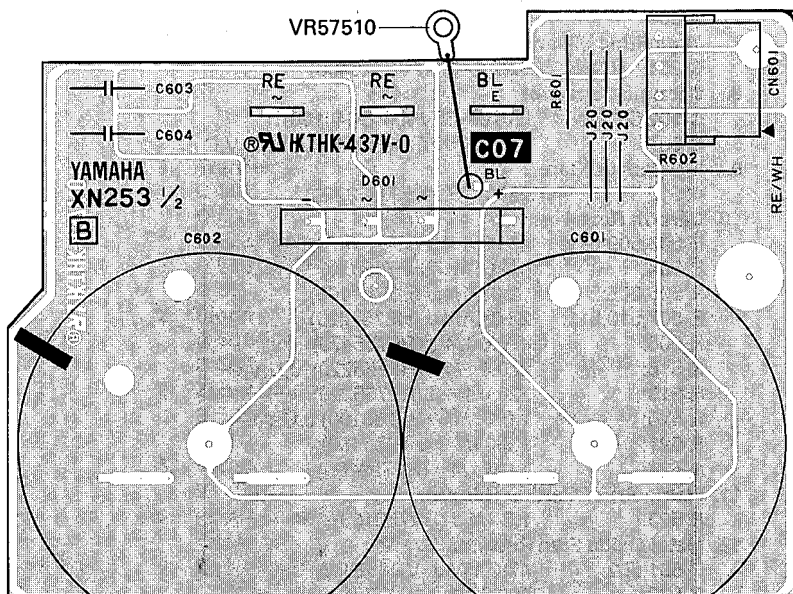
NOTE) Listed below are not parts of the AC3 circuit board, they are available as service parts of the AC3 unit.

注意) 下記の部品は、AC3 シートのシート内部品ではなく、AC3 ユニットの構成部品です。

**a. Thylistor**

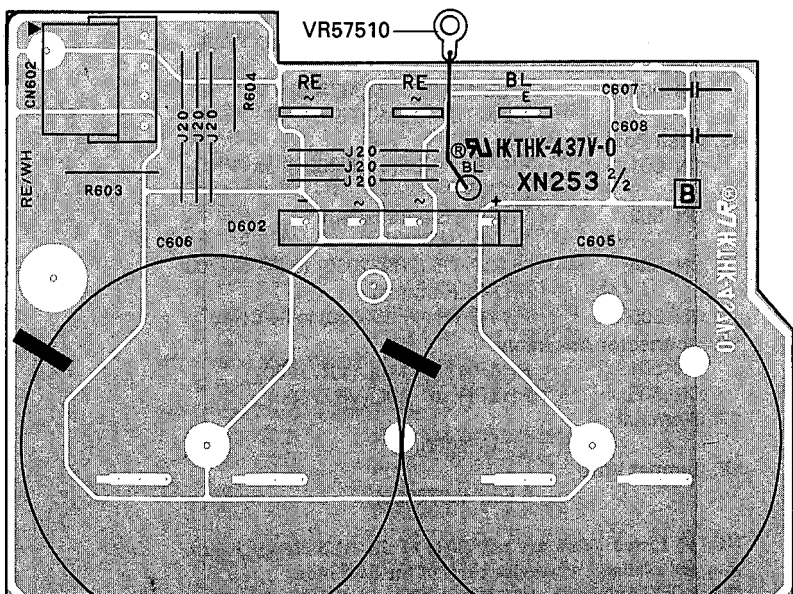
TR 503,504: SM25GZ51 25.00A (VR160900)  
J,U,V,C  
TR 504: SM25JZ51 25.00A (VR161000)  
H,W,B,A

• CO7 1/2 Circuit Board (for channel A)-H7000, H5000, PC7500 or PC5500



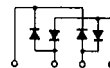
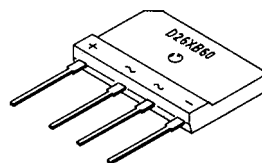
Components side (部品側)

• CO7 2/2 Circuit Board (for channel B)-H7000, H5000, PC7500 or PC5500



Components side (部品側)

- Diode stack, D25XB60 (VR149900)



4. Connector Assembly

- CN 601: EA (VT34190)
- CN 602: EB (VT34200)

5. Terminal

(VA855400)

6. Jumper Wire

0.55 (VA078900)

Notes)

Circuit Board: CO7-1/2 (NX816590) XN253B0  
CO7-2/2 (NX816600) XN253B0

1. Mylar Capacitor

C 603,604,607,  
608: 0.1000 400V K (VR147500)

2. Metal Oxide Film Resistor

R 601-604: 47.0K 1W J (VC738300)

3. Base Post Connector

CN 601: VH- 4P SE (LB933040) to A ch PA-  
CN4  
CN 602: VH- 4P SE (LB933040) to B ch PA-  
CN4

NOTE) Listed below are part parts of CO7 circuit board, they are available as service parts of overall assembly.

注意) 下記の部品は、CO7 シートのシート内部部品ではなく、総組立の構成部品です。

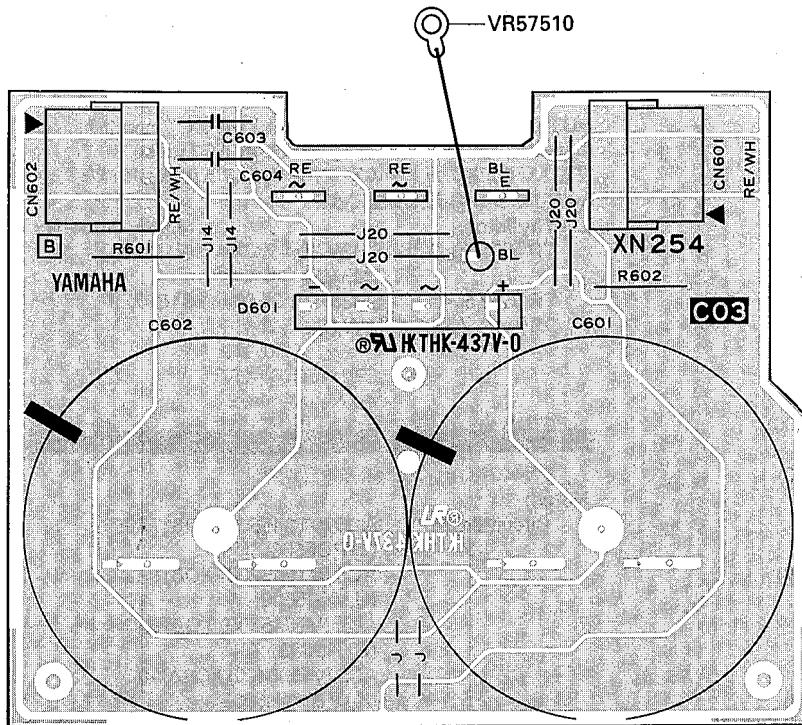
a. Diode Stack

D 601,602: D25XB60 25.0A 600V (VR149900)

b. Electrolytic Cap.

C 601,602,605,  
606: 5600 180V (VR151200)

• CO3 Circuit Board (H3000 or PC3500)

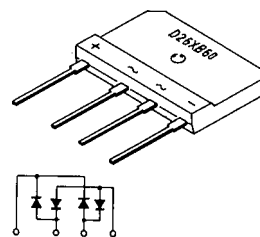


Components side (部品側)

Notes)

- Circuit Board: CO3 (VT345800) XN254B0
1. Mylar Capacitor  
C603,604: 0.1000 400V K (VR147500)
  2. Metal Oxide Film Resistor  
R 601,602: 47.0K 1W J (VC738300)
  3. Base Post Connector  
CN 601: VH-4P SE (LB933040)  
CN 602: VH-4P SE (LB933040)
  4. Connector Assembly  
EB (VT34200)
  5. Terminal  
(VA855400)
  6. Jumper Wire  
0.55 (VA078900)

- Diode stack, D25XB60 (VR149900)



NOTE) Listed below are not parts of CO3 circuit board, they are available as service parts of overall assembly.

注意) 下記の部品は、CO3 シートのシート内部品ではなく、総組立の構成部品です。

- a. Diode Stack  
D 601: D25XB60 25.0A 600V (VR149900)
- b. Electrolytic Cap.  
C 601,602: 10000 120V (VR151300)

CO7 : 3NA-VR15100



CO3 : 3NA-VR15110



## INSPECTIONS

### A STEREO and PARALLEL Operation

Before performing any following adjustments, set the unit as follows:

1. Set the ATTENUATIONS at "0".
2. Input terminal: Cannon connector pin 2 is HOT, pins 1 and 3 GROUND.
3. MODE switch: STEREO
4. Output terminal:  $RL = 4 \text{ ohm}/1.5 \text{ kW}$
5.  $0 \text{ dBm} = 0.775 \text{ V}$ .

### Adjustment Specifications

Before testing for specifications, confirm AC line voltage is the rated value  $\pm 15\%$ .

First GROUND the Input terminal.

Adjustment item		Adjust	Test Point	Rating	Conditions
Idle current	A/B channel (H7000/5000/3000)	VR1	pin 1 - pin 2 of CN 1	$V_b = 1 \text{ mV} \pm 0.5 \text{ mV}$	No signal IN
		VR2	pin 1 - pin 2 of CN 2	$V_b = 1 \text{ mV} \pm 0.5 \text{ mV}$	No signal IN
	A/B channel (H7000)	VR1	pin 1 - pin 2 of CN 1	$V_b = 1 \text{ mV} \pm 0.1 \text{ mV}$	Unit ON 10 minutes
		VR2	pin 1 - pin 2 of CN 2	$V_b = 1 \text{ mV} \pm 0.1 \text{ mV}$	Unit ON 10 minutes
A/B channel (H5000)	VR1	pin 1 - pin 2 of CN 1	$V_b = 1.4 \text{ mV} \pm 0.1 \text{ mV}$	Unit ON 10 minutes	
	VR2	pin 1 - pin 2 of CN 2	$V_b = 1.4 \text{ mV} \pm 0.1 \text{ mV}$	Unit ON 10 minutes	
DC offset			Output terminal A	$V_{dc} = 0 \text{ V} \pm 50 \text{ mV}$	—
			Output terminal B	$V_{dc} = 0 \text{ V} \pm 50 \text{ mV}$	—

\* Connectors CN1 and CN2, trimmer potentiometers VR1 and VR2 are located on the PA7/PA5/PA3 circuit board.

### 1 Muting Test

After applying power to the unit, the PROTECTION indicator should remain ON for  $6 \pm 2$  seconds to indicate that the protection circuitry is operating and the indicator should go out. NO signal is output while this indicator lit. Wait for more than one minute after the power switch is turned OFF before turning the power switch ON again.

### 2 Gain Test

Check that the OUTPUT should be  $+22.1 \text{ dBm} \pm 1.5 \text{ dB}$ , when a sine wave of 1 kHz at  $-10 \text{ dBm}$  is applied to the INPUT. You should perform this test on PARALLEL operation.

### 3 Frequency Response Test

When a sine wave of 20 Hz, 1 kHz or 20 kHz at  $-10 \text{ dBm}$  is applied to the INPUT, check that the output is  $0 \text{ dB} \pm 0.5 \text{ dB}$  at 20 Hz and  $-0.5 \text{ dB} \pm 0.5 \text{ dB}$  at 20 kHz taking the 1 kHz as a reference.

### 4 Harmonic distortion test

When a high quality sine wave is applied at 20 Hz, 1 kHz or 20 kHz, the harmonic distortion should be as follows:

Power output level (4ohm)		THD		
		20 Hz	1 kHz	20 kHz
H7000	750 W + 750 W (+37.0 dBm/ch)	$\leq 0.1\%$	$\leq 0.05\%$	$\leq 0.1\%$
H5000	700 W + 700 W (+36.7 dBm/ch)	$\leq 0.1\%$	$\leq 0.05\%$	$\leq 0.1\%$
H3000	450 W + 450 W (+34.8 dBm/ch)	$\leq 0.1\%$	$\leq 0.05\%$	$\leq 0.1\%$

### 5 Channel Separation Test

- 5-1 Apply a  $-5 \text{ dBm}$ , 20 kHz sine wave into the channel A.
- 5-2 Short the input for the channel B with a 600 ohm load.
- 5-3 Set the output of the channel A at a reference of 0 dB.
- 5-4 If channel B attenuator is set to the same as channel A, channel B output should be less than  $-65 \text{ dB}$ . ( $RL = 8 \text{ ohm}$ )

### 6 Noise Test

- 6-1 Set the input attenuator to "0".
- 6-2 Short the input with a 600 ohm load.
- 6-3 Measure at the output, noise level should be less than  $-65 \text{ dBm}$ .
- 6-4 Set the input attenuator to " $\infty$ ", noise level should be less than  $-70 \text{ dBm}$ .

※ Be careful that it is not affected by noise induced during this inspection.

**7 Protection Circuitry Test**

Check that the relay does not work when you apply a sine wave of 10 Hz to the input and adjust the input level to obtain a clipped output wave form.

Next, check that when you apply a sine wave of 1 Hz, 0 dB to the input, the signal is cut off within 2 seconds, and the PROTECTION indicator should light up.

Finally, check that when no signal is applied, the amplifier would resume to normal operation within 10 seconds.

**8 PC Limiter Circuitry Test**

Check that the OUTPUT should be as follows with an oscilloscope when a sine wave of 0 dBm at 1 kHz is applied to the INPUT and the output is shorted with a 1 ohm load ( $\pm 5\%$ ).

Model	Output level
H7000	$V_{p-p} \leq 75V$
H5000	$V_{p-p} \leq 65V$
H3000	$V_{p-p} \leq 50V$

**9 INPUT SIGNAL Indicator Test**

When a sine wave of 100 Hz, -40 dBm is applied to the input, the INPUT SIGNAL indicator should light up.

**10 OUTPUT SIGNAL Indicator Test**

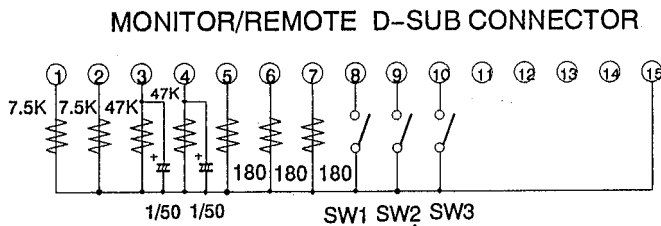
When a sine wave of 1 kHz, -23 dBm is applied, the OUTPUT SIGNAL indicator should be ON.

**11 CLIP Indicator Test**

When a sine wave of 1 kHz, +10 dBm is applied to the input, the CLIP indicator should light up.

**12 MONITOR/REMOTE Terminal Test**

12-1 Short each pin of MONITOR/REMOTE terminal as shown in the figure 1.



(Fig. 1)

12-2 Check that the output of  $-4.7 \text{ dBm} \pm 1 \text{ dB}$  is obtained at pin 1 and pin 2, and  $+2 \pm 0.2 \text{ V DC}$  at pin 5 and pin 6, when a sine wave of 1 kHz, -10 dBm is applied to the input.

12-3 Check that the output of +1 V to +5 V DC at pin 3 and pin 4, when a sine wave of 1 kHz, +10 dBm is applied to the input.

12-4 Turn on switch 1, and check that the voltage at pin 5 is 0 V.

12-5 Turn on switch 2, and check that the voltage at pin 6 is 0 V.

12-6 Turn on switch 3, and check that the voltages at pin 5 and pin 6 are 0 V.

12-7 Pull off the connector, CN203 on the PRO circuit board, and check that the  $+2 \text{ V} \pm 0.2 \text{ V DC}$  is obtained at pin 7.

**13 Efficiency Test**

When a sine wave of 1 kHz, -5 dB is applied to the input, the output current should be as follows:

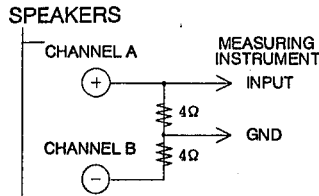
	H7000	H5000	H3000
U.S. & Canadian models	less than $4.6 \pm 1 \text{ A rms.}$	less than $4.3 \pm 1 \text{ A rms.}$	less than $4.0 \pm 1 \text{ A rms.}$
European models	less than $2.3 \pm 0.5 \text{ A rms.}$	less than $2.2 \pm 0.5 \text{ A rms.}$	less than $2.0 \pm 0.5 \text{ A rms.}$

## B BRIDGE Operation

Before performing any following adjustments, set the unit as follows:

1. Set the ATTENUATION of CHANNEL A at "0".
2. Channel A INPUT terminal: Cannon connector pin 2 is HOT, pins 1 and 3 GROUND.
3. MODE switch: BRIDGE
4. Output terminal (A ch +, B ch +):  $RL = 4 + 4 \text{ ohm} / 1.5 \text{ kW}$

Measure the output at the point as shown below.



## Adjustment Specifications

### 1 Gain Test

Check that the OUTPUT should be  $+22.1 \text{ dBm} \pm 1.5 \text{ dB}$ , when a sine wave of 1 kHz at  $-10 \text{ dBm}$  is applied to the INPUT.

### 2 Frequency Response Test

When a sine wave of 20 Hz, 1 kHz or 20 kHz at  $-10 \text{ dBm}$  is applied to the INPUT, check that the output is  $0 \text{ dB} \pm 1 \text{ dB}$  at 20 Hz and  $-0.5 \text{ dB} \pm 1 \text{ dB}$  at 20 kHz taking the 1 kHz as a reference.

### 3 Harmonic distortion test

When a high quality sine wave is applied at 20 Hz, 1 kHz or 20 kHz, the harmonic distortion should be as follows:

Power output level (4 ohm)		THD		
		20 Hz	1 kHz	20 kHz
H7000	+36.0 dBm	$\leq 0.1\%$	$\leq 0.05\%$	$\leq 0.1\%$
H5000	+35.7 dBm	$\leq 0.1\%$	$\leq 0.05\%$	$\leq 0.1\%$
H3000	+33.8 dBm	$\leq 0.1\%$	$\leq 0.05\%$	$\leq 0.1\%$

### 4 Noise Test

- 4-1 Set the input attenuator to "0".
- 4-2 Short the input with a 600 ohm load.
- 4-3 Measure at the output, noise level should be less than  $-60 \text{ dBm}$  ( $RL = 8 \text{ ohm}$ ).
- 4-4 Set the input attenuator to " $\infty$ ", noise level should be less than  $-60 \text{ dBm}$ .

## C Cooling Fan Operation Test

Check that both the left and right fans are operating low when the power switch has just turned ON. (The heat sink temperature should be less than  $80 \text{ }^\circ\text{C}$ )

When the connector CN203 on the PRO circuit board is pulled out, check that both the left and right fans are switched to high speed, and that the TEMP indicator on the front panel blinks.

## D Measuring Instruments

- 1 The output impedance of the signal generator must be less than 600 ohms.  
The harmonic distortion must be as follows:

20 Hz	1 kHz	20 kHz
THD $\leq 0.0015 \%$	THD $\leq 0.0015 \%$	THD $\leq 0.0035 \%$

- 2 For the noise level measurement, a low-pass filter with cut-off frequency of 12.47 kHz,  $-6 \text{ dB/oct}$  must be used. The input impedance must be greater than 100 kohm.

## ■ 検査

### A STEREOモード、PARALLELモード時の検査

#### 準備

- 1) 入力アッテネーター : "0"にセットする
- 2) 入力端子 : キャノンコネクタ (2番ピン=ホット、1番、3番ピン=アース)
- 3) MODEスイッチ : STEREO
- 4) 出力端子 : 負荷抵抗  $RL=4\ \Omega$  (無誘導抵抗、電力容量は1.5 W以上)
- 5) 0 dB = 0.775 V
- 6) 電源電圧が、100 V  $\pm$  10 Vの範囲にあることを確認します。

#### 検査および調整

##### 1. パワーON時のミュート時間およびソフトスタート回路の検査

電源スイッチON後、 $t=6\ \pm 2$ 秒にてミュートが解除され、プロテクションインジケータが消灯することを確認します。また、電源ON時に、ラッシュ電流による異音が発生しないことを確認します。

##### 2. アイドリング電流の検査および調整

入力端子を接地して、CN1(A Ch)、CN2(B Ch)の1番端子と2番端子間の直流電圧 $V_b$ が、 $V_b=1\ \text{mV} \pm 0.5\ \text{mV}$ となるように、VR1 (A Ch)、VR2 (B Ch)を調整します。

また、全検査終了後に、再度 $V_b$ の検査を行い、 $V_b=1.0\ \text{mV} \pm 0.1\ \text{mV}$  (PC7500)、 $V_b=1.4\ \text{mV} \pm 0.1\ \text{mV}$  (PC5500)、 $V_b=2.0\ \text{mV} \pm 0.2\ \text{mV}$  (PC3500)となるように調整します。

##### 3. 出力端子の直流電位

入力端子を接地して出力端子の直流電位 $V_{dc}$ を測定し、 $V_{dc}=0\ \text{V} \pm 50\ \text{mV}$ 以内であることを確認します。

##### 4. 利得

入力端子に、1 kHz、-10 dBの正弦波を入力したとき、+22.1 dBm  $\pm 1.5$  dBの出力電圧が得られることを確認します。この検査は、PARALLELモードでも行って下さい。

##### 5. 周波数特性

入力端子に、20 Hz、1 kHz、20 kHz、-10 dBmの正弦波を入力したとき、各々の出力電圧が、1 kHzの出力電圧を基準に、20 Hzでは0 dB  $\pm 0.6$  dB以内、20 kHzでは-0.5dB  $\pm 0.5$  dB以内であることを確認します。

##### 6. 全高調波歪率特性

20 Hz、1 kHz、20 kHzの高品位正弦波を入力し、  
750 W + 750 W/4  $\Omega$  (37.0 dB/ch) : PC7500  
700 W + 700 W/4  $\Omega$  (36.7 dB/ch) : PC5500  
450 W + 450 W/4  $\Omega$  (34.8 dB/ch) : PC3500

の定格出力を得たとき、全高調波歪率が、1 kHzでは0.05 %以下、20 Hzおよび20 kHzでは0.1 %以下であることを確認します。

##### 7. チャンネルセパレーション特性

片方のチャンネルの入力端子に、20 kHz、-5 dBmの正弦波を入力して得られた出力電圧を基準レベル (0 dB) として、入力端子が600  $\Omega$ の抵抗を介して接地された他方チャンネルの出力電圧が、-65 dB以下であることを確認します。(RL=8  $\Omega$ とする)

##### 8. 出力ノイズレベル

入力アッテネーターをMAX、入力端子を600  $\Omega$ の抵抗を介して接地したとき、出力端子に発生するノイズレベルが-65 dBm以下であることを確認します。

次に、入力アッテネーターをMINにしたとき、ノイズレベルが-70 dBm以下であることを確認します。検査中は、誘導ノイズの影響を受けないように注意して下さい。

##### 9. プロテクション回路の検査

10 Hzの正弦波を入力し、出力波形をクリップさせたとき、プロテクション回路が作動してリレーが動作しないことを確認します。次に、1 Hz、0 dBmの正弦波を入力したとき、プロテクション回路が2秒以内に作動して出力を遮断し、プロテクションインジケータが点灯することを確認します。また入力信号を切ったとき、10秒以内こ自動復帰することを確認します。



#### 10. PCリミッター回路の検査

入力端子に1 kHz、0 dBmの正弦波を入力し、出力端子に負荷として1 Ω (±5%) を接続して出力端子をオシロスコープにて観測したとき、

Vp-p ≤ 75 V : PC7500

Vp-p ≤ 65 V : PC5500

Vp-p ≤ 50 V : PC3500

が得られることを確認します。

#### 11. インพุットシグナルインジケータの検査

入力端子に、100 Hz、-40 dBmの正弦波を入力したとき、インพุットシグナルインジケータが点灯することを確認します。

#### 12. シグナルインジケータの検査

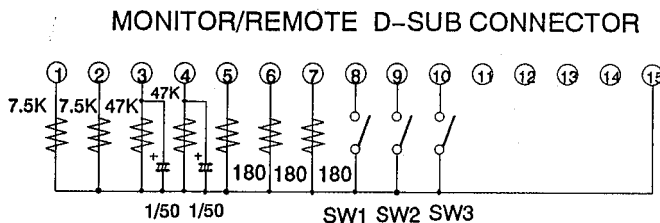
1 kHz、-23 dBmの正弦波を入力したとき、シグナルインジケータが点灯することを確認します。

#### 13. クリップインジケータの検査

1 kHz、+10 dBmの正弦波を入力したとき、クリップインジケータが点灯することを確認します。

#### 14. MONITOR/REMOTE端子の検査

14-1. (Fig-1)のように、負荷抵抗とスイッチを接続します。



(Fig. 1)

14-2. 1 kHz、-10 dBmの正弦波を入力したとき、1番ピンと2番ピンに、各々-4.7 dBm ±1 dBの出力電圧が得られることを確認します。また、5番ピンと6番ピンに、DC +2 ±0.2 Vの出力電圧が得られることを確認します。

14-3. 1 kHz、+10 dBmの正弦波を入力したとき、3番ピンと4番ピンに、DC+1 V~+5 Vの出力電圧が得られることを確認します。

14-4. SW1をONしたとき、5番ピンの出力電圧が、0 Vになることを確認します。

14-5. SW2をONしたとき、6番ピンの出力電圧が、0 Vになることを確認します。

14-6. SW3をONしたとき、5番ピンと6番ピンの出力電圧が、0 Vになることを確認します。

14-7. PROシートのコネクタ-CN203を抜いたとき、7番ピンにDC+2 V ±0.2 Vの出力が得られることを確認します。

#### 15. 効率の検査

入力端子に、1 kHz、-5 dBmの正弦波を加えたときの一次電流が、下記の範囲にあることを確認します。

4.6 A ±1 A : PC7500

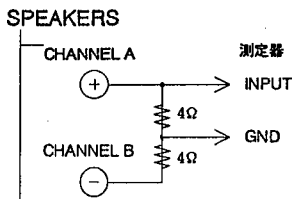
4.3 A ±1 A : PC7500

4.0 A ±1 A : PC7500

## B BRIDGEモード時の検査

### 準備

- 1) 入力アッテネーター : Achのみ作動する。MAXとする
- 2) 入力端子 : Achキャノンコネクター
- 3) MODEスイッチ : BRIDGE
- 4) 出力端子 : Ach+, Bch+を使用する
- 5) 負荷抵抗 :  $4\ \Omega + 4\ \Omega$  (無誘導抵抗、電力容量1.5 W以上)
- 6) 測定器の接続



### 検査

#### 1. 利得

入力端子に、1 kHz、-10 dBmの正弦波を入力したとき、+22.1 dBm  $\pm$  1.5 dBの出力電圧が得られることを確認します。

#### 2. 周波数特性

入力端子に、20 Hz、1 kHz、20 kHz、-10 dBの正弦波を入力したときの各々の出力電圧が、1 kHzの出力電圧を基準として、20 Hzでは0 dB  $\pm$  1 dB、20 kHzでは-0.5 dB  $\pm$  1 dB以内であることを確認します。

#### 3. 全高調波歪率特性

20 Hz、1 kHz、20 kHzの高品位正弦波を入力し、

36.0 dB: P7500

35.7 dB: P5500

33.8 dB: P3500

の出力電圧を得たとき、全高調波歪率が、1 kHzでは0.05 %以下、20 Hzおよび20 kHzでは0.1 %以下であることを確認します。

#### 4. 出力ノイズレベル

入力アッテネーターをMAX、入力端子を600  $\Omega$ の抵抗を介して接地したとき、RL=8  $\Omega$ の両端にて得られるノイズレベルが、-60 dBm以下であることを確認します。

次に、入力アッテネーターをMINとしたとき、ノイズレベルが-60 dBm以下であることを確認します。

## C. クーリングファンの作動検査

電源投入時には、左右のファン共、停止していることを確認します。

また、PROシートのコネクターCN203を抜くと、左右のファンともハイスピードで回転し、TEMPインジケータが点滅することを確認します。

## D. 測定器

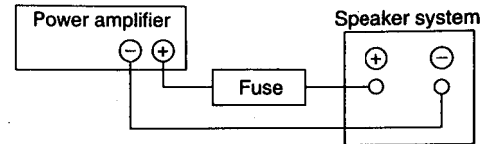
1. 正弦波発振器の出力インピーダンスは、600  $\Omega$ 以下であること。  
高調波歪率は、20 Hz、1 kHzでは THD  $\leq$  0.0015 %、20 kHzでは THD  $\leq$  0.0035 %以下であること。
2. 矩形波発振器の出力インピーダンスは、100  $\Omega$ 以下であること。  
また波形の立ち上がり、立ち下がりにオーバーシュート、リングング、ザグがないこと。また、立ち上がり、立ち下が時間は、100  $\mu$ S以下であること。
3. ノイズレベルの測定に使用するノイズメータは、12.47 kHz、-6 dB/OCTのローパスフィルター内蔵のものを使用すること。入力インピーダンスは、100 K $\Omega$ 以上あること。
4. オシロスコープは、20 MHz以上の帯域があること。

## ■ CAUTION FOR SPEAKER CONNECTION

Connect the amplifier's A channel and B channel speaker terminals to the corresponding speakers. Make sure that the red terminals on the amplifier are connected to the "+" terminals on the speakers, and that the black terminals are connected to the "-" terminals on the speakers.

Take care that the end of each speaker cable does not short with another end of the speaker cable or with the chassis or protective cover, and secure the wire in place by tightening down the terminal. Also, always make sure that the power is OFF before attaching or removing speaker wires.

- If long speaker cables are required, use cables with as heavy a gauge as possible to protect against degradation caused by the damping factor and to prevent power loss inside the speaker cables.
- Since the 'H' Series of power amplifiers can provide relatively high output powers, it is important that you use a speaker system with sufficient power handling capabilities.  
If the allowable input power of the speaker system is lower than the rated output power of the amplifier, you can protect the speakers by connecting an in-line fuse between each speaker and the amplifier.



- \* You can use the following formula to determine the size of fuse needed for your system.

$$P_o = I^2 R \rightarrow I = \sqrt{\frac{P_o}{R}}$$

- P<sub>o</sub>: Continuous allowable input power of speaker (noise or RMS)
- R: Nominal impedance of speaker
- I: Necessary fuse capacity (A)

Example:

Speaker continuous allowable input power; 50 W  
Speaker impedance ; 8 Ω  
Using these values.

$$I = \sqrt{\frac{50}{8}} = 2.5$$

Necessary fuse capacity = 2.5 (A)

## ■ TROUBLESHOOTING

The following table lists the main causes of abnormal operation and the corrective measures required, as well as the protective circuit operation in each case.

Indicator	Probable Cause	Remedy	Protection Circuit
CLIP/LIMIT indicator lights up	Input signal level is excessive.	Adjust the input attenuators.	Power limiter protect the output transistors.
	Short at the speaker terminals, amplifier terminals, or cables.	Locate and correct the short.	
	Speaker load impedance is too low.	Use 4 Ω speakers for Stereo and Dual Mono modes, and 8 Ω for BTL Mono mode.	
TEMP indicator lights up	Heat sink temperature has exceeded 80 degrees centigrade.	Check the ventilation slots, and improve the airflow around the amplifier.	Thermal protection circuit protects the output transistors.
TEMP indicator flashes	Heat sink temperature has exceeded 90 degrees centigrade.	Check the ventilation slots, and improve the airflow around the amplifier.	
INPUT SIGNAL indicator flashes, but the OUTPUT SIGNAL indicator does not, and no sound is output.	One of the protection circuits is active.	Check the status of the front panel indicators.	

## ■ スピーカー配線

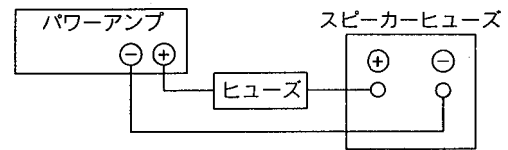
アンプのAチャンネルスピーカー端子とBチャンネルスピーカー端子をそれぞれスピーカーに接続します。必ず赤い端子をスピーカーの⊕端子に、黒い端子を⊖の端子に接続してください。

各スピーカーケーブルが他のスピーカーケーブルのシャーシ、保護カバーなどとショートしないよう注意し、端子をしっかり締め付けてケーブルを動かないようにしてください。また、スピーカーケーブルの接続、取り外しは、必ず電源をOFFにしてから行ってください。

スピーカーケーブルを長く引き廻す場合は、ダンピングファクターの劣化やケーブル内でのパワーロスを防ぐため、できるだけ太い線材のケーブルをご使用ください。本機のスピーカーターミナルは、極太ケーブルの使用にも対応しております。

PCシリーズのパワーアンプでは大出力が得られますので、十分な許容入力を持つスピーカーシステムを使用してください。

ご使用になるスピーカーシステムの許容入力パワーアンプの定格出力値より小さな場合は、スピーカーとアンプ間に直列にヒューズを接続すると、スピーカーを保護することができます。(右図参照)



下の式を用いて、各スピーカーに応じたヒューズの容量の目安を求めることができます。

$$P_o = I^2 R \rightarrow I = \sqrt{\frac{P_o}{R}}$$

$P_o$ [W] : スピーカーの連続許容入力(ノイズまたはRMS)

$R$ [ $\Omega$ ] : スピーカーの公称インピーダンス

$I$ [A] : 必要なヒューズの容量

例) スピーカーの連続許容入力 : 50[W]  
スピーカーのインピーダンス : 8[ $\Omega$ ]

$$I = \sqrt{\frac{50}{8}} = 2.5$$

上の計算から、必要なヒューズの容量は2.5[A]となります。

## ■ トラブルシューティング

異常動作が見られる場合は、次の表の原因、処置および保護回路の動作を参照してください。

インジケータ表示	原因	処置	保護回路の動作
CLIP/LIMITインジケータが点灯する	入力信号レベルが高すぎる	入力アッテネーターを調整してください	リミッター回路が出力トランジスターを保護
	スピーカー端子、アンプ端子、ケーブル等でのショート	ショートした部分を補修してください。	
	スピーカーの負荷インピーダンスが低すぎる	ステレオおよびデュアルモノモードには4オームのスピーカーを、BTLモノモードには8オームのスピーカーを使用してください。	
TEMPインジケータが点滅する	ヒートシンク温度が摂氏85度を超えた	通風スロットを点検してアンプ周りの通風状態を良くしてください。	熱保護回路が出力トランジスターを保護
INPUT SIGNALインジケータが点滅するが、OUTPUT SIGNALインジケータは点滅せず音が出ない	保護回路の一つがアクティブになっている。	フロントパネルインジケータの状態を点検してください。	

# POWER AMPLIFIER

## H7000/PC7500

# PARTS LIST

### ■ CONTENTS

OVERALL ASSEMBLY (総組立) .....	1
PA UNIT (PAユニット) .....	4
ELECTRICAL PARTS (電気部品) .....	5~9

### Notes DESTINATION ABBREVIATIONS

J : Japanese model	A : Australian model
U : U.S.A. model	E : European model
C : Canadian model	D : German model
X : General model	B : British model
M : South African model	I : Indonesian model
H : North European model	

### ■ WARNING

Components having special characteristics are marked  $\triangle$  and must be replaced with parts having specification equal to those originally installed.

$\triangle$  印の部品は、安全を維持するために重要な部品です。交換をする場合は、安全のため必ず指定の部品をご使用下さい。

- The numbers with "pc." or "pcs" in "Remarks" show quantities for each unit.
- The parts with "—" in "Part No." are not available as spare parts.

- 部品価格ランクは、変更になることがあります。
- Remarks欄に記されている数字は、使用個数です。
- 部品No.が"—"の部品は、サービス用部品として準備されておりません。



REF NO.	PART NO.	DESCRIPTION	部 品 名	REMARKS	ランク
	--	OVERALL ASSEMBLY	総 組 立	H7000/PC7500	
* 10	VU060800	Bottom Cover	ボ ト ム カ バ ー	J	
* 10	VT464500	Bottom Cover	ボ ト ム カ バ ー	U,V,C	11
* 10	VT464600	Bottom Cover	ボ ト ム カ バ ー	H,W,B,A	11
* 20	CB806590	Foot	ア ン プ レ ッ グ	4pcs	03
30	VD831800	Bind Head Tapping Screw-B	+ バ イ ン ド B タ イ ト	4pcs	01
40	VR813600	Support, PCB	ダ ブ ル ロ ッ キ ン グ ス ペ ー サ		03
* 50	VT344900	Support	支 柱	8pcs	05
55	EA050106	Pan Head Screw	+ ナ ベ 小 ネ ジ	8pcs (0375799)	01
60	VR153500	Chassis, Transformer	ト ラ ン ス シ ャ ー シ		05
65	VU026100	Chassis, Transformer	ト ラ ン ス シ ャ ー シ		
* 70	VC688800	Bind Head Tapping Screw-B	+ バ イ ン ド B タ イ ト	4pcs	01
80	XN180C00	Power Transformer	電 源 ト ラ ン ス	J (2pcs)	
80	XN181A00	Power Transformer	電 源 ト ラ ン ス	U,V,C (2pcs)	25
80	XN182A00	Power Transformer	電 源 ト ラ ン ス	H,W (2pcs)	26
80	XN183A00	Power Transformer	電 源 ト ラ ン ス	B,A (2pcs)	26
90	VR428400	Bind Head Screw	+ バ イ ン ド 小 ネ ジ	8pcs	01
100	VR151200	Electrolytic Cap.	ケ ミ コ ン	4pcs	14
110	VR154100	Holder, Capacitor	ケ ミ コ ン ホ ル ダ ー	2pcs	06
120	VR180700	Insulation Sheet	放 熱 シ ー ト ( D i )	2pcs	02
130	VR813600	Support, PCB	ダ ブ ル ロ ッ キ ン グ ス ペ ー サ	6pcs	03
* 140a	NX816590	Circuit Board	C O 7 - 1 / 2 シ ー ト		
* 140b	NX816600	Circuit Board	C O 7 - 2 / 2 シ ー ト		
145	CB605620	Plastic Rivet	プ ラ リ ベ ッ ト	2pcs	03
150	VR149900	Diode Stack	ダ イ オ ー ド ス タ ッ ク	2pcs	06
160	VB763800	Bind Head Screw	+ バ イ ン ド 小 ネ ジ	2pcs	01
170	VR180600	Spacer, Capacitor	ケ ミ コ ン ス ペ ー サ	2pcs	03
180	VC688800	Bind Head Tapping Screw-B	+ バ イ ン ド B タ イ ト	4pcs	01
185	VR814700	Insulation Sheet	絶 縁 シ ー ト		02
* 190	VT357600	Circuit Board	P R O シ ー ト	J	
* 190	VT545900	Circuit Board	P R O シ ー ト	U,V,C,H,W,B,A	
200	VR153400	Front Chassis	フ ロ ン ト シ ャ ー シ		09
210	VC688800	Bind Head Tapping Screw-B	+ バ イ ン ド B タ イ ト	2pcs	10
220	VR203300	DC Fan	D C フ ァ ン	2pcs	10
230	VR203200	Fan Guard	フ ァ ン ガ ー ド	2pcs	05
240	VQ866300	Bind Head Screw	+ バ イ ン ド 小 ネ ジ	8pcs	01
245	VR364900	Angle Bracket, Attenuation	ア ッ テ ン ー タ ー ア ン グ ル		05
246	VF474300	Support, PCB	ロ ッ キ ン グ カ ー ド ス ペ ー サ	3pcs	02
247	VP157000	Bind Head Tapping Screw-B	+ バ イ ン ド B タ イ ト	4pcs	01
250	VF474300	Support, PCB	ロ ッ キ ン グ カ ー ド ス ペ ー サ		02
260	NX813600	Circuit Board	F P 1 / 3 シ ー ト		17
260	NX813610	Circuit Board	F P 2 / 3 シ ー ト		06
260	NX813620	Circuit Board	F P 3 / 3 シ ー ト		05
270	CB605620	Plastic Rivet	プ ラ リ ベ ッ ト		03
280	VK323200	Attenuation Knob	ア ッ テ ン ー タ ー ノ ブ	ATTENUATOR (2pcs)	04
290	VP156700	Bind Head Screw	+ バ イ ン ド 小 ネ ジ	2pcs	01
300	VL812900	Power Switch Knob	P S W ノ ブ	POWER switch	03
310	--	AC Unit	A C ユ ニ ッ ト		
* 370	VC688800	Bind Head Tapping Screw-B	+ バ イ ン ド B タ イ ト	2pcs	01
* 375	VT362500	Jack Socket	ジャ ッ ク ソ ケ ッ ト	2pcs	01
390	XN197A00	Power Transformer	電 源 ト ラ ン ス H P X サ ブ	J	09
390	XN198A00	Power Transformer	電 源 ト ラ ン ス H P X サ ブ	U,V,C	09
390	XN199A00	Power Transformer	電 源 ト ラ ン ス H P X サ ブ	H,W	09
390	XN200A00	Power Transformer	電 源 ト ラ ン ス H P X サ ブ	B,A	09
400	VC688800	Bind Head Tapping Screw-B	+ バ イ ン ド B タ イ ト	2pcs	01
410	MG000610	AC Cord	電 源 コ ー ド 加 工 品	J	06
410	VD279600	AC Cord	電 源 コ ー ド	U,V,C	08
410	VD279800	AC Cord	電 源 コ ー ド	H,W,A	08
410	VH890200	AC Cord	電 源 コ ー ド	B	09
420	CB806850	Cord Holder	コ ー ド ス ト ッ パ ー	J,U,V,C	02
420	CB032840	Cord Holder	コ ー ド ス ト ッ パ ー	H,W,B,A	03
430	LA003690	Lug Terminal	ラ グ 端 子	U,V,C,H,W,B,A	01
440	VP156800	Bind Head Screw	+ バ イ ン ド 小 ネ ジ	U,V,C,H,W,B,A	01
450	--	Panel Assembly	パ ー ネ ル A s s y		
460	VC688800	Bind Head Tapping Screw-B	+ バ イ ン ド B タ イ ト	4pcs	01
465	VP156800	Bind Head Screw	+ バ イ ン ド 小 ネ ジ	4pcs	01
* 470	VS153600	Oval Head Screw	+ 丸 皿 小 ネ ジ	2pcs	01
480	VR157400	Grille	グ リ ル	2pcs	07
490	VL869600	Filter	フ ィ ル タ ー	2pcs	03
500	EG350250	Bind Head Screw	+ バ イ ン ド 小 ネ ジ	2pcs	01

\* New Parts (新規部品)

ランク: Japan only

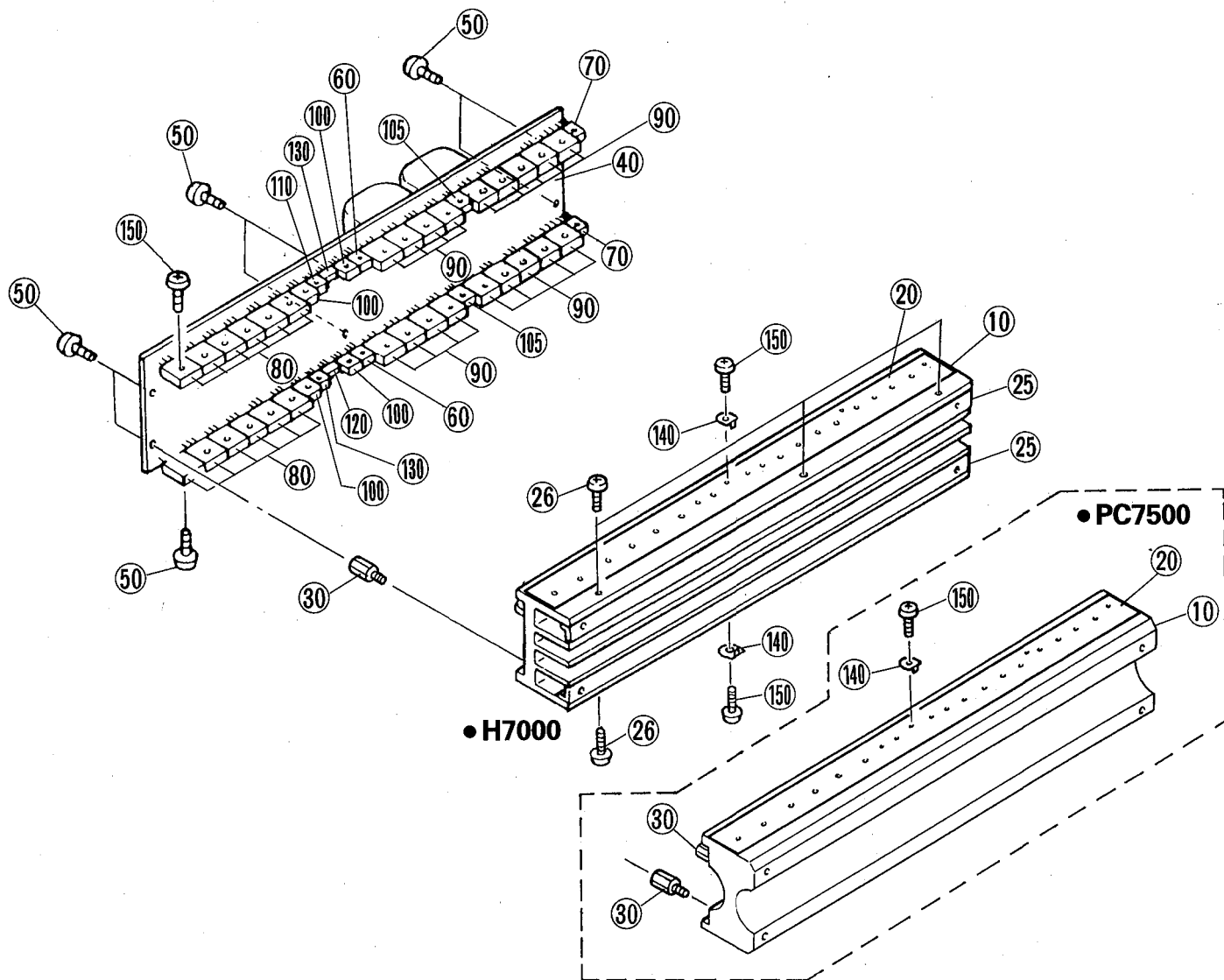
REF NO.	PART NO.	DESCRIPTION	部 品 名	REMARKS	ランク
520	--	PA Unit	P A ユ ニ ッ ト	2pcs	
530	VR154700	Side Cover	サ イ ド カ バ ー ( L )		08
540	VR154800	Side Cover	サ イ ド カ バ ー ( R )		08
545	VP156800	Bind Head Screw	+ バ イ ン ド 小 ネ ジ	4pcs	01
550	VC688800	Bind Head Tapping Screw-B	+ バ イ ン ド B タ イ ト	22pcs	01
560	--	Rear Assembly	リ ア A s s y		
565	VR531800	Plastic Rivet	T-3570B	2pcs	04
570	VC688800	Bind Head Tapping Screw-B	+ バ イ ン ド B タ イ ト	7pcs	01
575	VP156800	Bind Head Screw	+ バ イ ン ド 小 ネ ジ	1pc.	01
580	VR154900	Top Cover	ト ッ プ カ バ ー		11
590	VC688800	Bind Head Tapping Screw-B	+ バ イ ン ド B タ イ ト	13pcs	01
600	VK303200	Speaker Terminal Cover	S P タ ー ミ ナ ル カ バ ー	J,C,H,W,B,A	04
610	VP157000	Bind Head Tapping Screw-B	+ バ イ ン ド B タ イ ト	JCHWBA (2pcs)	01
630	VR405100	Rear Angle Bracket	リ ア ア ン グ ル ジ	2pcs	05
640	VS153600	Oval Head Screw	+ 丸 皿 小 ネ ジ	4pcs	01
650	--	Connector Assembly	SPA	(VT34140)	
660	--	Connector Assembly	SPB	(VT34150)	
670	CB069250	Cord Holder	BK-1	14pcs	01
680	CA060690	Earth Mark	ア ー ス マ ー ク	H,W,B,A	01
690	CB825280	Cord Holder	CKN-05	2pcs	01
		ACCESSORY	付 属 品		
	VJ711500	Knob Lock Assembly	ノ ブ ロ ッ ク A s s y		08
	--	Panel Assembly	パ ネ ル A s s y	J	
PN10	VT924900	Front Panel	フ ロ ン ト パ ネ ル	J	10
PN10	VT925200	Front Panel	フ ロ ン ト パ ネ ル	U	11
PN20	VK057000	Handle	ハ ン ド ル	2 U	09
PN30	VL871600	Angle, Handle	ハ ン ド ル ア ン グ ル ジ	2pcs	06
PN40	VB764900	Bind Head Screw	+ バ イ ン ド 小 ネ ジ	4pcs	01
PN50	VL813000	Escutcheon, Power Switch	P S W エ ス カ ッ シ ョ ン		03
	--	Rear Assembly	リ ア A s s y		
R10	VR154200	Rear Panel	リ ア パ ネ ル	J	10
R10	VR154300	Rear Panel	リ ア パ ネ ル	U,V	10
R10	VR154400	Rear Panel	リ ア パ ネ ル	C	10
R10	VR154500	Rear Panel	リ ア パ ネ ル	H	10
R10	VR154600	Rear Panel	リ ア パ ネ ル	B,A	10
R40	VT345300	Circuit Board	I N シ ー ト	J	
R40	VT477200	Circuit Board	I N シ ー ト	U,V,C,H,W,B,A	
R50	VP156700	Bind Head Screw	+ バ イ ン ド 小 ネ ジ	8pcs	01
R60	VL802300	Flat Washer	9X14 0.5 FNM3	特 殊 平 座 金	2pcs
R70	LX200060	Hexagonal Nut	9.0 12X2 MFNI33	特 殊 六 角 ナ ッ ト	2pcs
R80	VC383800	Bind Head Tapping Screw-P	4.0X10 MFZN2BL	+ バ イ ン ド P タ イ ト	2pcs
	--	AC UNIT	A C ユ ニ ッ ト		
A10	VT345400	Circuit Board	AC7	J	
A10	VT544900	Circuit Board	AC7	U,V	
A10	VT545000	Circuit Board	AC7	C	
A10	VT545100	Circuit Board	AC7	H,W,B,A	
A20	VR157500	Heat Sink	ヒ ー ト シ ン ク	J,U,V,C,H,W	07
A25	--	Label	FUSE	C (CB81875)	
A26	--	Insulation Sheet	S	絶 縁 シ ー ト ( A C )	HWBA (VS40380)
A30	VR180500	Insulation Sheet	AC	放 熱 シ ー ト ( A C )	
A40	VR531800	Plastic Rivet	T-3570B	T タ イ プ リ ベ ッ ト	2pcs
A50	VR160900	Thyristor	SM25GZ51 25.00A J	サ イ リ ス タ	J,U,V,C (4pcs)
A50	VR161000	Thyristor	SM25JZ51 25.00A H	サ イ リ ス タ	H,W,B,A (2pcs)
A60	VB763800	Bind Head Screw	SP 3.0X12 MFZN2Y	+ バ イ ン ド 小 ネ ジ	J,U,V,C (4pcs)
A60	VB763800	Bind Head Screw	SP 3.0X12 MFZN2Y	+ バ イ ン ド 小 ネ ジ	H,W,B,A (2pcs)

\* New Parts (新規部品)

ランク: Japan only



■ PA UNIT (PAユニット)



REF NO.	PART NO.	DESCRIPTION	部 品 名	REMARKS	ランク
*	10	PA UNIT	P A ユ ニ ッ ト	H7000/PC7500	14
	10	Heat Sink	ヒ ー ト シ ン ク	J	13
	20	Heat Sink	ヒ ー ト シ ン ク	U,V,C,H,W,B,A	07
	25	Insulation Sheet	放 熱 シ ー ト	2pcs	04
	25	Side Angle Bracket	サイ ド ア ン グ ル	U,V,C,H,W,B,A (2pcs)	01
	26	Bind Head Tapping Screw-B	キ バ イ ン ド B タ イ ト	U,V,C,H,W,B,A (6pcs)	01
	30	Support	支 柱	6pcs	01
*	40	Circuit Board	P A 7 シ ー ト		
	50	Bind Head Screw	キ バ イ ン ド 小 ネ ジ	6pcs	01
	60	Diode Stack	ダイ オード スタック	2pcs	04
	70	Diode Stack	ダイ オード スタック	2pcs	03
	70	Diode Stack	ダイ オード スタック	D10LC20U	03
	80	Pair Transistor	ペア ト ラ ン ジ ス タ	U,V,C,H,W,B,A (2pcs)	07
	90	Pair Transistor	ペア ト ラ ン ジ ス タ	A1294/C3263	06
	90	Pair Transistor	ペア ト ラ ン ジ ス タ	A1492/C3856 O,P,Y	06
	100	Pair Transistor	ペア ト ラ ン ジ ス タ	A1837/C4793 (HFE)	04
	105	Pair Transistor	ペア ト ラ ン ジ ス タ	A1859A/C4883A	04
	110	Pair Transistor	ペア ト ラ ン ジ ス タ	A1358/C3421 O,Y	03
	120	Positive Thermistor	ポ ジ ス タ	PTH9M04BH222TS2	04
	130	Positive Thermistor	ポ ジ ス タ	PTH9M04BE222TS2	04
	140	Holder	ポ ジ ス タ ホ ル ダ ー	2pcs	03
	150	Bind Head Screw	キ バ イ ン ド 小 ネ ジ	44pcs	01

\* New Parts (新規部品)

ランク: Japan only

**ELECTRICAL PARTS (電気部品)**

REF NO.	PART NO.	DESCRIPTION	部 品 名	REMARKS	ランク
	HF756470	Carbon Resistor	4.7K 1/4 J	力カボシ抵抗	01
	HF756560	Carbon Resistor	5.6K 1/4 J	力カボシ抵抗	01
	HF756680	Carbon Resistor	6.8K 1/4 J	力カボシ抵抗	01
	HF756820	Carbon Resistor	8.2K 1/4 J	力カボシ抵抗	01
	HF757100	Carbon Resistor	10.0K 1/4 J	力カボシ抵抗	01
	HF757150	Carbon Resistor	15.0K 1/4 J	力カボシ抵抗	01
	HF757220	Carbon Resistor	22.0K 1/4 J	力カボシ抵抗	01
	HF757330	Carbon Resistor	33.0K 1/4 J	力カボシ抵抗	01
	HF757470	Carbon Resistor	47.0K 1/4 J	力カボシ抵抗	01
	HF757560	Carbon Resistor	56.0K 1/4 J	力カボシ抵抗	01
	HF757680	Carbon Resistor	68.0K 1/4 J	力カボシ抵抗	01
	HF757820	Carbon Resistor	82.0K 1/4 J	力カボシ抵抗	01
	HF758100	Carbon Resistor	100.0K 1/4 J	力カボシ抵抗	01
	—	Carbon Resistor	150.0K 1/4 J	力カボシ抵抗	01
	XJ604A00	IC	NJM78M05FA	—	02
	LB932050	Base Post Connector	VH-5P TE	ベースポスト	01
	VB390200	Connector Base Post	PH-6P TE	コネクタベースポスト	01
	VB390800	Connector Base Post	PH-12P TE	コネクタベースポスト	01
	VF283100	Connector Base Post	PH-13P TE	コネクタベースポスト	01
	IA111520	Transistor	2SA1115 E,F	トランジスタ	01
	VQ547200	Transistor	2SA1837 (HFE)	トランジスタ	03
	IC260320	Transistor	2SC2603 E,F	トランジスタ	01
	VB941200	Diode	1SS133,1SS176	ダイオード	01
	VH530100	Diode	1SR139-100A	ダイオード	01
	IH001120	Diode Stack	S2VB20 2.0A 200V	ダイオードスタック	03
	VQ552500	Zener Diode	MTZJ3.3A 3.3V	ツェナーダイオード	01
	VQ553900	Zener Diode	MTZJ6.8B 6.8V	ツェナーダイオード	01
	VQ554800	Zener Diode	MTZJ10A 10.0V	ツェナーダイオード	01
	VQ556200	Zener Diode	MTZJ16A 16.0V	ツェナーダイオード	01
	VD678500	Digital Transistor	DTA114ES	デジタルトランジスタ	03
	VD678700	Digital Transistor	DTC114ES	デジタルトランジスタ	03
	VP728900	Heat Sink	—	ヒートシンク	03
	VA078900	Jumper Wire	0.55	ジャンパー線	03
*	XN180C00	Power Transformer	—	電源トランス	J
	XN181A00	Power Transformer	—	電源トランス	U,V,C
	XN182A00	Power Transformer	—	電源トランス	H,W
	XN183A00	Power Transformer	—	電源トランス	B,A
	XN197A00	Power Transformer	—	電源トランスHPXサブ	J
	XN198A00	Power Transformer	—	電源トランスHPXサブ	U,V,C
	XN199A00	Power Transformer	—	電源トランスHPXサブ	H,W
	XN200A00	Power Transformer	—	電源トランスHPXサブ	B,A
	MG000610	AC Cord	2P 15A 2.1m	電源コード加工品	J
	VD279600	AC Cord	3P 10A 2.5m	電源コード	U,V,C
	VD279800	AC Cord	3P 6A 2.5m	電源コード	H,W,A
	VH890200	AC Cord	3P 10A 2.5m	電源コード	B
	VR203300	DC Fan	3110NL-05W-B60-L22	DCファン	10
	VR151200	Electrolytic Cap.	5600 180V	ケミコン	14
	VR149900	Diode Stack	D25XB60 25.0A 600V	ダイオードスタック	06
	VR149700	Diode Stack	D8LD40 8.0A 400V	ダイオードスタック	04
	VS135800	Diode Stack	FMX-22S	ダイオードスタック	03
	VR149800	Diode Stack	D10LC20U	ダイオードスタック	03
	VR152200	Pair Transistor	A1294/C3263	ペアトランジスタ	07
	VA957300	Pair Transistor	A1492/C3856 O,P,Y	ペアトランジスタ	06
	VQ547400	Pair Transistor	A1837/C4793 (HFE)	ペアトランジスタ	04
	VR732800	Pair Transistor	A1859A/C4883A	ペアトランジスタ	04
	IP011600	Pair Transistor	A1358/C3421 O,Y	ペアトランジスタ	03
	VL964800	Positive Thermistor	PTH9M04BH222TS2	ポジジスタ	04
	VL965100	Positive Thermistor	PTH9M04BE222TS2	ポジジスタ	04
	VR160900	Thyristor	SM25GZ51 25.00A J	サイリスタ	J,U,V,C
	VR161000	Thyristor	SM25JZ51 25.00A H	サイリスタ	H,W,B,A

\* New Parts (新規部品)

ランク: Japan only

REF NO.	PART NO.	DESCRIPTION	部 品 名	REMARKS	ランク
		ELECTRICAL PARTS	電 気 部 品	H7000/PC7500	
*	VT345400	Circuit Board	A C 7 シ - ト	J	
*	VT544900	Circuit Board	A C 7 シ - ト	U,V	
*	VT545000	Circuit Board	A C 7 シ - ト	C	
*	VT545100	Circuit Board	A C 7 シ - ト	H,W,B,A	
*	NX816590	Circuit Board	CO7-1/2	CO7-1/2	
*	NX816600	Circuit Board	CO7-2/2	CO7-2/2	
*	NX813600	Circuit Board	FP1/3	FP1/3	17
*	NX813610	Circuit Board	FP2/3	FP2/3	06
*	NX813620	Circuit Board	FP3/3	FP3/3	05
*	VT345300	Circuit Board	IN	IN	
*	VT477200	Circuit Board	IN	U,V,C,H,W,B,A	
*	VT345000	Circuit Board	PA7	P A 7	
*	VT357600	Circuit Board	PRO	P R O	J
*	VT545900	Circuit Board	PRO	P R O	U,V,C,H,W,B,A
*	VT345400	Circuit Board	A C 7 シ - ト	J (XQ616A0)	
*	VT544900	Circuit Board	A C 7 シ - ト	U,V (XQ815A0)	
*	VT545000	Circuit Board	A C 7 シ - ト	C (XQ816A0)	
*	VT545100	Circuit Board	A C 7 シ - ト	H,W,B,A (XQ817A0)	
*	VT341700	Support, PCB	LF-8	固定式LEDホルダー	J
*	VR147500	Mylar Capacitor	0.1000 400V K	マイラーコン	01
*	VE326400	Monolithic Mylar Capacitor	0.22 50V J	積層マイラーコン	01
*	FG644100	Ceramic Capacitor	0.0100 50V Z	セラミックコン	01
*	UJ739220	Electrolytic Cap.	2200 16.0V	ケミコン	02
*	HF755220	Carbon Resistor	220.0 1/4 J	カーボン抵抗	01
*	HF755470	Carbon Resistor	470.0 1/4 J	カーボン抵抗	01
*	HF756100	Carbon Resistor	1.0K 1/4 J	カーボン抵抗	01
*	HF756820	Carbon Resistor	8.2K 1/4 J	カーボン抵抗	01
*	HF757100	Carbon Resistor	10.0K 1/4 J	カーボン抵抗	01
*	HF757220	Carbon Resistor	22.0K 1/4 J	カーボン抵抗	01
*	HF757470	Carbon Resistor	47.0K 1/4 J	カーボン抵抗	01
*	HF759100	Carbon Resistor	1.0M 1/4 J	カーボン抵抗	01
*	HV753100	Flame Proof C. Resistor	1.0 1/4 J	不燃化カーボン抵抗	01
*	WG731200	Metal Oxide Film Resistor	100.0 1W J	酸化金属被膜抵抗	01
*	VQ883800	Metal Oxide Film Resistor	47K 1W J	酸化金属被膜抵抗	01
△	KB003470	Fuse	T 500mA 250V	ヒューズ	J,U,V,C
△*	VT340900	Fuse	T 30.00A	ヒューズ	J
△*	VT580800	Fuse	SB 25.00A	ヒューズ	U,V
△*	VT580700	Fuse	SB 12.00A	ヒューズ	C
△	KB003280	Fuse	T 1.00A 250V	ヒューズ	H,W,B,A
△	KB003350	Fuse	T 5.00A 250V	ヒューズ	H,W,B,A
	VA855400	Terminal		PC用カラケ端子	01
	LB932030	Base Post Connector	VH-3P TE	ベースポスト	01
	LB932040	Base Post Connector	VH-4P TE	ベースポスト	01
	VB390000	Connector Base Post	PH-4P TE	コネクタベースポスト	01
	VB390800	Connector Base Post	PH-12P TE	コネクタベースポスト	01
*	VT362400	D-sub Connector	17LE-15P SE	Dサブコネクタ	04
	LB201530	Fuse Holder	PC-FH1	ヒューズホルダ	01
	IA111520	Transistor	2SA1115 E,F	トランジスタ	01
	VR181900	Transistor	2SA1614 Q,P	トランジスタ	05
	IC260320	Transistor	2SC2603 E,F	トランジスタ	01
	VR157600	Transistor	2SC3352	トランジスタ	05
	VC139800	Transistor	2SD1762	トランジスタ	02
	VB481900	Diode	11ES4	ダイオード	01
	VB941200	Diode	1SS133,1SS176	ダイオード	01
	VQ554500	Zener Diode	MTZJ8.2B 8.2V	ツェナーダイオード	01
	VQ557000	Zener Diode	MTZJ22A 22.0V	ツェナーダイオード	01
△	VR871700	Varistor	ERZ-V07D431	バリスタ	01
	VR153000	Photo Coupler	PC818	フォトカプラ	03
	VA078900	Jumper Wire	0.55	ジャンパー線	
	--	Connector Assembly	PH&PH 12P 140L	束線 # 2 8	(VR77680)
	--	Connector Assembly	PH&PH 4P 80L	束線 # 2 8	(VR77690)
*	NX816590	Circuit Board	CO7-1/2	CO7-1/2	
*	NX816600	Circuit Board	CO7-2/2	CO7-2/2	
	VR147500	Mylar Capacitor	0.1000 400V K	マイラーコン	01
	VC738300	Metal Oxide Film Resistor	47.0K 1W J	酸化金属被膜抵抗	01
	VA855400	Terminal		PC用カラケ端子	01
	LB933040	Base Post Connector	VH-4P SE	ベースポスト	01

\* New Parts (新規部品)

ランク : Japan only

REF NO.	PART NO.	DESCRIPTION		部 品 名	REMARKS	ランク
	VA078900	Jumper Wire	0.55	ジ ャ ン パ ー		
	--	Connector Assembly	EA	東 線	(VT34190)	
	--	Connector Assembly	EB	東 線	(VT34200)	
	NX813600	Circuit Board	FP1/3	F P 1 / 3 シ ー ト		17
	NX813610	Circuit Board	FP2/3	F P 2 / 3 シ ー ト		06
	NX813620	Circuit Board	FP3/3	F P 3 / 3 シ ー ト		05
	UJ865220	Electrolytic Cap.	0.22 50.0V	ケ ケ ミ コ		01
	UJ866100	Electrolytic Cap.	1.00 50.0V	ケ ケ ミ コ		01
	UK866220	Electrolytic Cap.-BP	2.20 50.0V	B P ケ ケ ミ コ		01
	UK866330	Electrolytic Cap.-BP	3.30 50.0V	B P ケ ケ ミ コ		01
△	F1383100	Capacitor	1000P 400V	規 格 認 定 コ		01
	HF755220	Carbon Resistor	220.0 1/4 J	カ カ ー ボ ン 抵 抗		01
	HF756150	Carbon Resistor	1.5K 1/4 J	カ カ ー ボ ン 抵 抗		01
	HF756330	Carbon Resistor	3.3K 1/4 J	カ カ ー ボ ン 抵 抗		01
	HF756470	Carbon Resistor	4.7K 1/4 J	カ カ ー ボ ン 抵 抗		01
	HF757150	Carbon Resistor	15.0K 1/4 J	カ カ ー ボ ン 抵 抗		01
	HF757220	Carbon Resistor	22.0K 1/4 J	カ カ ー ボ ン 抵 抗		01
	HF757470	Carbon Resistor	47.0K 1/4 J	カ カ ー ボ ン 抵 抗		01
	HF758100	Carbon Resistor	100.0K 1/4 J	カ カ ー ボ ン 抵 抗		01
△	--	Carbon Resistor	150.0K 1/4 J	カ カ ー ボ ン 抵 抗	(HF75815)	
	KA805150	Push Switch	ESB-8215V-F	ガ ブ ッ シ ュ S W	POWER switch	03
	LB933030	Base Post Connector	VH- 3P SE	ベ ー ス ポ ス ト		01
	VB389800	Connector Base Post	PH- 2P TE	コ ネ ク タ ベ ー ス ポ ス ト		01
	VB390200	Connector Base Post	PH- 6P TE	コ ネ ク タ ベ ー ス ポ ス ト		01
	VB390800	Connector Base Post	PH-12P TE	コ ネ ク タ ベ ー ス ポ ス ト		01
	VR150500	Rotary Variable Resistor	5K RK271112	ロ ー タ リ ー V R	INPUT att. A/B	07
	IA111520	Transistor	2SA1115 E,F	ト ラ ン ジ ス タ		01
	IC260320	Transistor	2SC2603 E,F	ト ラ ン ジ ス タ		01
	VB941200	Diode	1SS133,1SS176	ダ イ オ ー ド		01
	VG261500	LED	GL3PR8 RE	L E D	POWER, TEMP	01
	VG261500	LED	GL3PR8 RE	L E D	PROTECTION,CLIP	01
	VN327200	LED	GL3HY8 YE	L E D	OUTPUT SIGNAL	01
	VN434000	LED	GL3KG8 GR	L E D	INPUT SIGNAL	01
	VD678500	Digital Transistor	DTA114ES	デ ジ タ ル ト ラ ン ジ ス タ		03
	VD678700	Digital Transistor	DTC114ES	デ ジ タ ル ト ラ ン ジ ス タ		03
	VA078900	Jumper Wire	0.55	ジ ャ ン パ ー		
	CB056250	LED Spacer		L E D ス ペ ー サ		01
	--	Connector Assembly	VR	東 線	(VR15360)	
	--	Connector Assembly	SW	東 線	(VR15500)	
	--	Connector Assembly	PH&PH 12P 300L	東 線 # 2 8	(VR16500)	
*	VT345300	Circuit Board	IN	I N シ ー ト	J (XQ615B0)	
*	VT477200	Circuit Board	IN	I N シ ー ト	U,V,C,H,W,B,A	
	FZ005200	Mylar Capacitor	0.1000 100V K	マ イ ラ ー コ		01
	VE302600	Ceramic Capacitor-B	1000P 500V K	セ ラ コ ン B		01
	FG644100	Ceramic Capacitor-F	0.0100 50V Z	セ ラ コ ン F		01
	UJ847470	Electrolytic Cap.	47.00 25.0V	ケ ケ ミ コ		01
	UJ857330	Electrolytic Cap.	33.00 35.0V	ケ ケ ミ コ		01
	UJ866330	Electrolytic Cap.	3.30 50.0V	ケ ケ ミ コ		01
	VI533900	Electrolytic Cap.-FS	22.00 25.0V	ケ ケ ミ コ F S		01
	FU451100	Mica Capacitor	10P 500V D	マ イ カ コ		01
	FU451560	Mica Capacitor	56P 500V J	マ イ カ コ		02
	VR150900	Coil	RZ-001	マ 空 芯 コ		01
	HF756220	Carbon Resistor	2.2K 1/4 J	カ カ ー ボ ン 抵 抗		01
	HF759100	Carbon Resistor	1.0M 1/4 J	カ カ ー ボ ン 抵 抗		01
	HV753470	Flame Proof C. Resistor	4.7 1/4 J	不 燃 化 カ ー ボ ン 抵 抗		01
	VK680500	Metal Film Resistor	18.0 1/4 F	金 属 被 膜 抵 抗		01
	VK680700	Metal Film Resistor	47.0 1/4 F	金 属 被 膜 抵 抗		01
	VR147600	Metal Film Resistor	4.7 3W J	金 属 被 膜 抵 抗		01
	VR158500	Metal Film Resistor	330.0 1/4 F	金 属 被 膜 抵 抗		01
	VB068800	Metal Film Resistor	47.0K 1/4 F	金 属 被 膜 抵 抗		01
	VK682300	Metal Film Resistor	10.0K 1/4 F	金 属 被 膜 抵 抗		01
	VK682400	Metal Film Resistor	15.0K 1/4 F	金 属 被 膜 抵 抗		01
	VK682700	Metal Film Resistor	100.0K 1/4 F	金 属 被 膜 抵 抗		01
	VL403400	Metal Film Resistor	5.1K 1/4 F	金 属 被 膜 抵 抗		01
	VC745400	Metal Oxide Film Resistor	150.0 1W J	金 酸 化 金 属 被 膜 抵 抗		01
	XM085A00	IC	M5238AP	IC	OP AMP	03
	XK841A00	IC	NJM7818FA	IC	REGULATOR +18V	02
	XK842A00	IC	NJM7918FA	IC	REGULATOR -18V	02

\* New Parts (新規部品)

ランク : Japan only

REF NO.	PART NO.	DESCRIPTION	部 品 名	REMARKS	ランク	
	VG529800	Slide Switch	SSSU12	スライド S W	PIN 1 GND	02
	VR150600	Slide Switch	SSSB12	スライド S W	ST/BRIDGE/PARA.	03
	KC001410	Relay	DC JC2AD-DC24V	リレー 2 4 V		07
	VT340600	Speaker Terminal	MSP207 AU	スピーカ端子	J (SP Ach)	08
	VT340700	Speaker Terminal	MSP207-1 AU	スピーカ端子	J (SP Bch)	08
	LA005530	Speaker Terminal	#553	スピーカ端子 2 P	U,V,C,H,W,B,A (SP Ach)	06
	LA005540	Speaker Terminal	#554	スピーカ端子 2 P	U,V,C,H,W,B,A (SP Bch)	06
	VA855400	Terminal		P C 用カラゲ端子		01
	LB302070	Phone Jack	HLJ0544 STEREO	ホンジャック	PARA./BRIDGE	03
	LB302320	Cannon Connector	XLB-3-31PCV-M10	キャノンコネクタ	INPUT A,B	07
	LB302340	Cannon Connector	XLB-3-32PCV	キャノンコネクタ	INPUT A,B	06
	LB932020	Base Post Connector	VH- 2P TE	ベースポスト		01
	VB390000	Connector Base Post	PH- 4P TE	コネクタベースポスト		01
	VB390100	Connector Base Post	PH- 5P TE	コネクタベースポスト		01
	VB390200	Connector Base Post	PH- 6P TE	コネクタベースポスト		01
	VB390300	Connector Base Post	PH- 7P TE	コネクタベースポスト		01
	VF283100	Connector Base Post	PH-13P TE	コネクタベースポスト		01
	VB481900	Diode	11ES4	ダイオード		01
	VB941200	Diode	1SS133,1SS176	ダイオード		01
	VQ439000	Zener Diode	MTZJ3.6A 3.6V	ツェナーダイオード		01
	VQ558500	Zener Diode	MTZJ33B 33.0V	ツェナーダイオード		01
	VP116000	Photo Coupler	P873-G35-552	フォトカブラ		06
	VA078900	Jumper Wire	0.55	ジャンパー線		
	VR778800	Cord Binder	UAMS-03-0	ミニクラップ		03
	--	Connector Assembly	PH&PH 13P 60L	束線 # 2 8	(VR43650)	
	VT345000	Circuit Board	PA7	P A フ シ ー ト	(XQ614B0)	
	EG330290	Bind Head Screw	SP 3.0X8 MFZN2Y	+ バインド小ネジ		01
	VS349500	Mylar Capacitor	4.7000 180V K	フィルムコン		05
	FT553150	Polypropylene Capacitor	1500P 50V J	P P コ		03
	UT353100	Polypropylene Capacitor	1000P 50V J	P P コ		01
	FG651100	Ceramic Capacitor-SL	10P 50V D	セラコン ( S L )		
	VG929600	Ceramic Capacitor	2200/500	セラコン		01
	FG644100	Ceramic Capacitor-F	0.0100 50V Z	セラコン F		01
	UJ818100	Electrolytic Cap.	100.00 6.3V	ケミコン		01
	UJ867100	Electrolytic Cap.	10.00 50.0V	ケミコン		01
	UJ896470	Electrolytic Cap.	4.7 100.0V	ケミコン		01
	VP583900	Electrolytic Cap.-PR	220.00 200.0V	ケミコン P R		04
	VR147100	Electrolytic Cap.	2.2 200.0V	ケミコン		01
	VR147200	Electrolytic Cap.	10.0 200.0V	ケミコン		01
	FU451100	Mica Capacitor	10P 500V D	マイカコン		01
	FU451220	Mica Capacitor	22P 500V J	マイカコン		01
	FU451330	Mica Capacitor	33P 500V J	マイカコン		01
	FU451470	Mica Capacitor	47P 500V J	マイカコン		01
	FU452100	Mica Capacitor	100P 500V J	マイカコン		01
	VR151900	Coil	FLM-0811 4R7	コイル		02
	VT340800	Coil	120UH30A	コイル		12
	HF754470	Carbon Resistor	47.0 1/4 J	カーボン抵抗		01
	HF759120	Carbon Resistor	1.2M 1/4 J	カーボン抵抗		01
	VN688400	Carbon Resistor	10K 1/2 F	カーボン抵抗		03
	VN688500	Carbon Resistor	12K 1/2 F	カーボン抵抗		03
	HV753220	Flame Proof C. Resistor	2.2 1/4 J	不燃化カーボン抵抗		01
	HV753470	Flame Proof C. Resistor	4.7 1/4 J	不燃化カーボン抵抗		01
	HV754100	Flame Proof C. Resistor	10.0 1/4 J	不燃化カーボン抵抗		01
	HV754220	Flame Proof C. Resistor	22.0 1/4 J	不燃化カーボン抵抗		01
	HV754330	Flame Proof C. Resistor	33.0 1/4 J	不燃化カーボン抵抗		01
	HV755120	Flame Proof C. Resistor	120.0 1/4 J	不燃化カーボン抵抗		01
	HV755150	Flame Proof C. Resistor	150.0 1/4 J	不燃化カーボン抵抗		01
	HV755220	Flame Proof C. Resistor	220.0 1/4 J	不燃化カーボン抵抗		01
	HV755270	Flame Proof C. Resistor	270.0 1/4 J	不燃化カーボン抵抗		01
	HV755330	Flame Proof C. Resistor	330.0 1/4 J	不燃化カーボン抵抗		01
	HV755680	Flame Proof C. Resistor	680.0 1/4 J	不燃化カーボン抵抗		01
	HV755820	Flame Proof C. Resistor	820.0 1/4 J	不燃化カーボン抵抗		01
	HV756220	Flame Proof C. Resistor	2.2K 1/4 J	不燃化カーボン抵抗		01
	HU075200	Metal Film Resistor	200.0 1/4 F	金属被膜抵抗		02
	VK681100	Metal Film Resistor	470.0 1/4 F	金属被膜抵抗		01
	VR157800	Metal Film Resistor	560.0 1/4 F	金属被膜抵抗		01
	VR158300	Metal Film Resistor	220.0 1/4 F	金属被膜抵抗		01
	VR158500	Metal Film Resistor	330.0 1/4 F	金属被膜抵抗		01
	VT346300	Metal Film Resistor	820.00 1/4 F	金属被膜抵抗		01

\* New Parts (新規部品)

ランク: Japan only

REF NO.	PART NO.	DESCRIPTION	部 品 名	REMARKS	ランク
	VB067800	Metal Film Resistor	16.0K 1/4 F	金 属 被 膜 抵 抗	01
	VB068000	Metal Film Resistor	20.0K 1/4 F	金 属 被 膜 抵 抗	01
	VB068100	Metal Film Resistor	22.0K 1/4 F	金 属 被 膜 抵 抗	01
	VB069400	Metal Film Resistor	82.0K 1/4 F	金 属 被 膜 抵 抗	01
	VB070900	Metal Film Resistor	360.0K 1/4 F	金 属 被 膜 抵 抗	01
	VB071200	Metal Film Resistor	470.0K 1/4 F	金 属 被 膜 抵 抗	01
	VB071500	Metal Film Resistor	620.0K 1/4 F	金 属 被 膜 抵 抗	01
	V1950900	Metal Film Resistor	RE35 2.2K 1/4 F	金 属 被 膜 抵 抗	01
	V1951000	Metal Film Resistor	RE35 5.6K 1/4 F	金 属 被 膜 抵 抗	01
	VK681300	Metal Film Resistor	1.0K 1/4 F	金 属 被 膜 抵 抗	01
	VK682700	Metal Film Resistor	100.0K 1/4 F	金 属 被 膜 抵 抗	01
	VR157700	Metal Film Resistor	27.0K 1/4 F	金 属 被 膜 抵 抗	01
	VR159200	Metal Film Resistor	47.0K 1/4 F	金 属 被 膜 抵 抗	01
	VR159600	Metal Film Resistor	56.0K 1/4 F	金 属 被 膜 抵 抗	01
	VR159700	Metal Film Resistor	68.0K 1/4 F	金 属 被 膜 抵 抗	01
	VR160000	Metal Film Resistor	82.0K 1/4 F	金 属 被 膜 抵 抗	01
	VR150200	Wire Wound Resistor	0.22 5W K	セ メ ン ト 抵 抗	01
	VR150300	Wire Wound Resistor	0.10 5W K	セ メ ン ト 抵 抗	01
	VE404900	Positive Thermistor	PTH59F04BE471TS	温 度 検 知 用 ポ ジ ス ト	04
	LB932020	Base Post Connector	VH- 2P TE	ベ ー ス ポ ス ト	01
	LB932040	Base Post Connector	VH- 4P TE	ベ ー ス ポ ス ト	01
	VB389900	Connector Base Post	PH- 3P TE	コ ネ ク タ ベ ー ス ポ ス ト	01
	VB390200	Connector Base Post	PH- 6P TE	コ ネ ク タ ベ ー ス ポ ス ト	01
	VB858100	Connector Base Post	PH- 2P SE	コ ネ ク タ ベ ー ス ポ ス ト	01
	VT346200	Trimmer Potentiometer	B 680	半 固 定 V R	01
	IA097030	Transistor	2SA970 GR,BL	ト ラ ン ジ ス タ	01
	IA101590	Transistor	2SA1015 O,Y	ト ラ ン ジ ス タ	01
	IA111520	Transistor	2SA1115 E,F	ト ラ ン ジ ス タ	01
	VR152800	Transistor	2SA1480 E,F	ト ラ ン ジ ス タ	02
	IC1815M0	Transistor	2SC1815 Y,GR	ト ラ ン ジ ス タ	01
	IC224030	Transistor	2SC2240 GR,BL	ト ラ ン ジ ス タ	01
	IC260320	Transistor	2SC2603 E,F	ト ラ ン ジ ス タ	01
	VR152600	Transistor	2SC1473 Q,R	ト ラ ン ジ ス タ	01
	VR152900	Transistor	2SC3790 E,F	ト ラ ン ジ ス タ	02
	IH000630	Diode	10E-2	ダ イ オ ー ド	01
	VB941200	Diode	1SS133,1SS176	ダ イ オ ー ド	01
	VE564400	Diode	1SS82(52MM) TP	ダ イ オ ー ド	01
	VQ308300	Diode	D1NL40	ダ イ オ ー ド	02
	VR150000	Diode	1SS83(52MM) 52	ダ イ オ ー ド	01
	VP602700	Zener Diode	UZ-6.2BSK1-TP 6.2V	ツ ェ ナ ー ダ イ オ ー ド	03
	VA078900	Jumper Wire	0.55	ジ ャ ン パ ー	
	--	Connector Assembly	+B7	東 東 東	(VR15380)
	--	Connector Assembly	PRO	東 東 東	(VT34130)
	--	Connector Assembly	IN-NF	東 東 東	(VT34160)
	VT357600	Circuit Board	PRO	P R O シ ー ト	J (XQ635A0)
	VT545900	Circuit Board	PRO	P R O シ ー ト	U,V,C,H,W,B,A
	VR641100	Cord Holder	UAMS-09-0	ミ ニ ク ラ ン プ	01
	EG330290	Bind Head Screw	SP 3.0X8 MFZN2Y	+ バ イ ン ド 小 ネ	01
	FG613100	Ceramic Capacitor	1000P 50V K	セ ラ コ ン B	01
	FG652100	Ceramic Capacitor	100P 50V J	セ ラ コ ン ( S L )	01
	FG644100	Ceramic Capacitor	0.0100 50V Z	セ ラ コ ン F	01
	UJ768470	Electrolytic Cap.	470.00 50.0V	ケ ミ コ ン	02
	UJ818330	Electrolytic Cap.	330.00 6.3V	ケ ミ コ ン	01
	UJ828100	Electrolytic Cap.	100.00 10.0V	ケ ミ コ ン	01
	UJ838100	Electrolytic Cap.	100.00 16.0V	ケ ミ コ ン	01
	UJ858100	Electrolytic Cap.	100.00 35.0V	ケ ミ コ ン	01
	UJ865220	Electrolytic Cap.	0.22 50.0V	ケ ミ コ ン	01
	UJ866330	Electrolytic Cap.	3.30 50.0V	ケ ミ コ ン	01
	UJ867100	Electrolytic Cap.	10.00 50.0V	ケ ミ コ ン	01
	UJ867220	Electrolytic Cap.	22.00 50.0V	ケ ミ コ ン	01
	UN817470	Electrolytic Cap.-BP	47.00 6.3V	ケ P ケ ミ コ ン	01
	HF755220	Carbon Resistor	220.0 1/4 J	カ ー ボ ン 抵 抗	01
	HF755270	Carbon Resistor	270.0 1/4 J	カ ー ボ ン 抵 抗	01
	HF755330	Carbon Resistor	330.0 1/4 J	カ ー ボ ン 抵 抗	01
	HF756100	Carbon Resistor	1.0K 1/4 J	カ ー ボ ン 抵 抗	01
	HF756120	Carbon Resistor	1.2K 1/4 J	カ ー ボ ン 抵 抗	01
	HF756150	Carbon Resistor	1.5K 1/4 J	カ ー ボ ン 抵 抗	01
	HF756220	Carbon Resistor	2.2K 1/4 J	カ ー ボ ン 抵 抗	01
	HF756330	Carbon Resistor	3.3K 1/4 J	カ ー ボ ン 抵 抗	01

\* New Parts (新規部品)

ランク : Japan only

# POWER AMPLIFIER

# H3000

# PARTS LIST


## ■ CONTENTS

OVERALL ASSEMBLY .....	1
ELECTRICAL PARTS .....	5

### Note) DESTINATION ABBREVIATIONS

J : Japanese model	A : Australian model
U : U.S.A. model	E : European model
C : Canadian model	D : German model
X : General model	B : British model
M : South African model	I : Indonesian model
H : North European model	

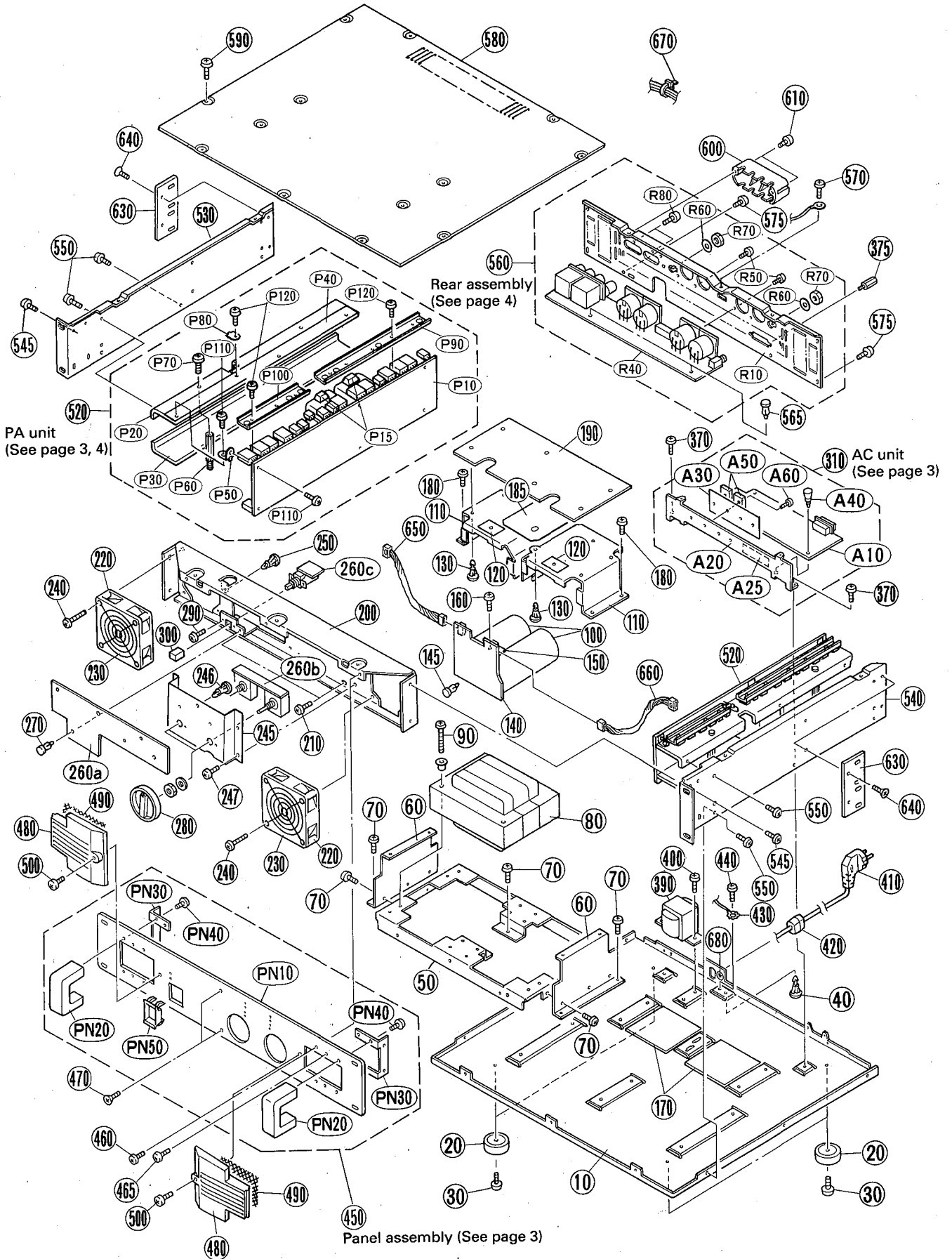
### ■ WARNING

Components having special characteristics are marked  and must be replaced with parts having specifications equal to those originally installed.

- The numbers with "pc." or "pcs" in "Remarks" show quantities for each unit.
- The parts with "--" in "Part No." are not available as spare parts.

# OVERALL ASSEMBLY

H3000





## ● Overall Assembly 1/3

REF NO.	PART NO.	DESCRIPTION	部 品 名	REMARKS	ランク
	--	OVERALL ASSEMBLY	総 組 立	H3000	
10	VR153200	Bottom Cover	ボトムカバー	J,U,C,V	
10	VR204400	Bottom Cover	ボトムカバー	H,B,W	
20	CB806590	Foot	ABS(BL) アンブレッグ	4pcs	01
30	VD831800	Bind Head Tapping Screw-B	A4.0X12 ZMC2BL +バインドBタイト	4pcs	01
40	VR813600	Support, PCB	WLS-06-0 ダブルロッキングスペーサー	1pc.	
50	VR153900	Base, Transformer	トランスベース		
60	VR153500	Chassis, Transformer	トランスシャーシ	2pcs	
70	VC688800	Bind Head Tapping Screw-B	A4.0X8 ZMC2BL +バインドBタイト	12pcs	01
80	XN188A00	Power Transformer	電源トランス	J	
80	XN189A00	Power Transformer	電源トランス	U,C,V	
80	XN190A00	Power Transformer	電源トランス	H,W	
80	XN191A00	Power Transformer	電源トランス	B	
90	VR428400	Bind Head Screw	SP 5X45 ZMC2Y +バインド小ネジ	4pcs	
100	VR151300	Electrolytic Cap.	10000 120V ケミコン	2pcs	
110	VR154100	Holder, Capacitor	ケミコンホルダー	2pcs	06
120	VR180700	Insulation Sheet	放熱シート(DI)		
130	VR813600	Support, PCB	WLS-06-0 ダブルロッキングスペーサー	6pcs	
140	VR151100	Circuit Board	CO3 C O 3 シート		
145	CB605620	Plastic Rivet	#1781 ブラリベット	1pc.	03
150	VR149900	Diode Stack	D25XB60 25.0A ダイオードスタック	600V	
160	VB763800	Bind Head Screw	SP 3.0X12 ZMC2Y +バインド小ネジ	1pc.	01
170	VR180600	Spacer, E. C.	ケミコンスペーサー	1pc.	03
180	VC688800	Bind Head Tapping Screw-B	A4.0X8 ZMC2BL +バインドBタイト	4pcs	01
185	VR814700	Insulation Sheet	絶縁シート		02
190	VR148400	Circuit Board	PRO P R O シート		
200	VR153400	Front Chassis	フロントシャーシ		
210	VC688800	Bind Head Tapping Screw-B	A4.0X8 ZMC2BL +バインドBタイト	2pcs	01
220	VR203300	Fan	3110NL05WB60L22 D C ファン	2pcs	
230	VR203200	Fan Guard	PG-31-02 ファンガード	2pcs	
240	VQ866300	Bind Head Screw	4.0X30 ZMC2-Y +バインド小ネジ	8pcs	
245	VR364900	Angle Bracket, Attenuator	アッテネータアングル		
246	VF474300	Support, PCB	KGLS-8RT ロッキングカードスペーサー	3pcs	01
247	VP157000	Bind Head Tapping Screw-B	A3.0X8 ZMC2BL +バインドBタイト	4pcs	01
250	VF474300	Support, PCB	KGLS-8RT ロッキングカードスペーサー	1pc.	01
260a	NX813600	Circuit Board	FP1/3 F P 1 / 3 シート		
260b	NX813610	Circuit Board	FP2/3 F P 2 / 3 シート		
260c	NX813620	Circuit Board	FP3/3 F P 3 / 3 シート		
270	CB605620	Plastic Rivet	#1781 ブラリベット	1pc.	03
280	VK323200	Knob	アッテネーターノブ	ATTENUATOR	04
290	VP156700	Bind Head Screw	A3.0X8 ZMC2BL +バインド小ネジ	2pcs	
300	VL812900	Knob	P S W ノブ	POWER SW	03
310	--	AC Unit	A C ユニット		
370	VC688800	Bind Head Tapping Screw-B	A4.0X8 ZMC2BL +バインドBタイト	2pcs	01
375	VR764300	Locking Nut	六角嵌合固定台	2pcs	04
390	XN197A00	Power Transformer	電源トランス	J	
390	XN198A00	Power Transformer	電源トランス	U,C,V	
390	XN199A00	Power Transformer	電源トランス	H,W	
390	XN200A00	Power Transformer	電源トランス	B	
400	VC688800	Bind Head Tapping Screw-B	A4.0X8 ZMC2BL +バインドBタイト	2pcs	01
410	MG000610	AC Cord	2P 15A 2.5m 電源コード	J	06
410	VD279600	AC Cord	3P 10A 2.5m 電源コード	U,C,V	08
410	VD279800	AC Cord	3P 6A 2.5m 電源コード	H,W	08
410	VH890200	AC Cord	3P 10A 2.5m 電源コード	B	09
420	CB806850	Cord Holder	SR-6N3-4 コードストッパー	J,U,C,V	02
420	CB032840	Cord Holder	SR-5N-4 コードストッパー	H,B,W	01
430	LA003690	Lug Terminal	ラゲ端子	U,C,V,H,B,W	01
440	VP156800	Bind Head Screw	A4.0X8 ZMC2BL +バインド小ネジ	U,C,V,H,B,W	
450	--	Panel Assembly	パネル A s s y		
460	VC688800	Bind Head Tapping Screw-B	A4.0X8 ZMC2BL +バインドBタイト	4pcs	01

\* New Parts (新規部品)

ランク: Japan only

### ● Overall Assembly 2/3

REF NO.	PART NO.	DESCRIPTION		部 品 名	REMARKS	ランク
465	VP156800	Bind Head Screw	A4.0X8 ZMC2BL	+ バインド小ネジ	U,C,V,H,B,W	
470	ED840010	Oval Head Screw	4.0X10 FCM3BL	+ 丸皿小ネジ	2pcs	
480	VR157400	Grille		グリル	2pcs	07
490	VL869600	Filter		フィルター	2pcs	03
500	ED350086	Bind Head Screw	5.0X8 ZMC2BL	+ バインド小ネジ	2pcs	01
520	--	PA Unit		P A ユ ニ ッ ト	2pcs (VR84550)	
530	VR154700	Side Cover	LEFT	サイドカバー (L)		
540	VR154800	Side Cover	RIGHT	サイドカバー (R)		
545	VP156800	Bind Head Screw	A4.0X8 ZMC2BL	+ バインド小ネジ	U,C,V,H,B,W	
550	VC688800	Bind Head Tapping Screw-B	A4.0X8 ZMC2BL	+ バインドBタイト	22pcs	01
560	--	Rear Assembly		リア A s s y		
565	VR531800	Plastic Rivet	T-3570B	Tタイプリベット	2pcs	
570	VC688800	Bind Head Tapping Screw-B	A4.0X8 ZMC2BL	+ バインドBタイト	7pcs	01
575	VP156800	Bind Head Screw	A4.0X8 ZMC2BL	+ バインド小ネジ	U,C,V,H,B,W	
580	VR154900	Top Cover		トップカバー		
590	VC688800	Bind Head Tapping Screw-B	A4.0X8 ZMC2BL	+ バインドBタイト	13pcs	01
600	VK303200	Terminal Cover, Speaker		S P ターミナルカバー	J,C,H,B,W	04
610	VP157000	Bind Head Tapping Screw-B	A3.0X8 ZMC2BL	+ バインドBタイト	2pcs	01
630	VR405100	Rear Angle Bracket		リアアングル	2pcs	
640	ED840010	Oval Head Screw	4.0X10 FCM3BL	+ 丸皿小ネジ	4pcs	
650	--	Connector Assembly	SPA7	束 線	(VR15400)	
660	--	Connector Assembly	SPB7	束 線	(VR43620)	
670	GB069250	Cord Holder	BK-1	インシュロックタイ	11pcs	01
680	CA060690	Earth Mark		アースマーク	H,B,W	01
		ACCESSORY		付 属 品		
A	VJ711500	Knob Lock Assembly		ノブロック A s s y		08
A-1	--	Knob Lock		ノブ ロ ッ ク	2pcs (VJ69530)	
		AC UNIT		A C ユ ニ ッ ト	H3000	
	--	AC Unit		A C ユ ニ ッ ト	J (VR49210)	
	--	AC Unit		A C ユ ニ ッ ト	U,V (VR49220)	
	--	AC Unit		A C ユ ニ ッ ト	C (VR49230)	
	--	AC Unit		A C ユ ニ ッ ト	H,B,W (VR49240)	
* A10	VR149400	Circuit Board	AC3	A C 3 シ ー ト	J	
* A10	VR149500	Circuit Board	AC3	A C 3 シ ー ト	U	
* A10	VR436100	Circuit Board	AC3	A C 3 シ ー ト	C	
* A10	VR149600	Circuit Board	AC3	A C 3 シ ー ト	H,B,W	
A20	VR157500	Heat Sink		ヒートシンク		
A25	--	Caution Label	FUSE	注 意 書	C (CB81875)	
A30	VR180500	Insulation Sheet	AC	放熱シート (AC)		
A40	VR531800	Plastic Rivet	T-3570B	Tタイプリベット	2pcs	
A50	VR160900	Thyrister	SM25GZ51 25.00A	サイリスタ	J,U,C,V	
A50	VR161000	Thyrister	SM25JZ51 25.00A	サイリスタ	H,B,W	
A60	VB763800	Bind Head Screw	SP 3.0X12 ZMC2Y	+ バインド小ネジ	2pcs	01
		PANEL ASSEMBLY		パネル A s s y		
	--	Panel Assembly		パネル A s s y	J (VR17750)	
	--	Panel Assembly		パネル A s s y	UCVHBW(VR18100)	
* PN10	VR156200	Front Panel		フロントパネル	J	
* PN10	VR204300	Front Panel		フロントパネル	U,C,V,H,B,W	
PN20	VK057000	Handle	2U	ハンドル 2 U	2pcs	09
PN30	VL871600	Angle Bracket, Handle		ハンドルアングル	2pcs	06
PN40	VB764900	Bind Head Screw	SP 4.0X16 ZMC2Y	+ バインド小ネジ	4pcs	01
PN50	VL813000	Escutcheon, Power Switch		P S W エスカッション		03
		PA UNIT		P A ユ ニ ッ ト	(VR84550)	
* P10	VR148200	Circuit Board	PA3	P A 3 シ ー ト		

\* New Parts (新規部品)

ランク: Japan only

● Overall Assembly 3/3

REF NO.	PART NO.	DESCRIPTION		部 品 名	REMARKS	ランク
P15	CB826590	Foot	SJ-5023	ゴ ム 足	4pcs	02
* P20	VR155500	Heat Sink	A	ヒ ー ト シ ン ク A		
* P30	VR155600	Heat Sink	B	ヒ ー ト シ ン ク B		
* P40	VR574300	Insulation Sheet		放 熱 シ ー ト	2pcs	
* P50	VR155700	Angle Bracket		放 熱 板 ア ン グ ル	6pcs	
* P60	VR798500	Spacer	L=54 H=7	M 4 段 付 ス ペ ー サ ー	2pcs	
P70	VP156800	Bind Head Screw	A4.0X8 ZMC2BL	+ バ イ ン ド 小 ネ ジ	U,C,V,H,B,W	
P80	VR155200	Holder		ポ ジ ス タ ホ ル ダ ー	2pcs	
* P90	VR627600	Transistor Holder	L	T R 押 え 金 具 (大)	2pcs	
* P100	VR627700	Transistor Holder	S	T R 押 え 金 具 (小)	2pcs	
P110	VP157000	Bind Head Tapping Screw-B	A3.0X8 ZMC2BL	+ バ イ ン ド B タ イ ト	12pcs	01
P120	VB763800	Bind Head Screw	SP 3.0X12 ZMC2Y	+ バ イ ン ド 小 ネ ジ	18pcs	01
		REAR ASSEMBLY		リ ア A s s y	J	
	--	Rear Assembly		リ ア A s s y	J (VR17860)	
	--	Rear Assembly		リ ア A s s y	U,V (VR17870)	
	--	Rear Assembly		リ ア A s s y	C (VR17880)	
	--	Rear Assembly		リ ア A s s y	H,W (VR17890)	
	--	Rear Assembly		リ ア A s s y	B (VR17900)	
* R10	VR156800	Rear Panel		リ ア パ ネ ル	J	
* R10	VR156900	Rear Panel		リ ア パ ネ ル	U,V	
* R10	VR157000	Rear Panel		リ ア パ ネ ル	C	
* R10	VR157100	Rear Panel		リ ア パ ネ ル	H,W	
* R10	VR157200	Rear Panel		リ ア パ ネ ル	B	
R40	VR148700	Circuit Board	IN	I N シ ー ト	1pc.	
R50	VP156700	Bind Head Screw	A3.0X8 ZMC2BL	+ バ イ ン ド 小 ネ ジ	8pcs	
R60	VL802300	Flat Washer	9X14X0.5 FNM33G	特 殊 平 座 金	2pcs	01
R70	LX200060	Hexagonal Nut	9.0 FNM33G	特 殊 六 角 ナ ッ ト	2pcs	01
R80	VC383800	Bind Head Tapping Screw-P	4.0X10 ZMC2BL	+ バ イ ン ド P タ イ ト	2pcs	01

\* New Parts (新規部品)

ランク： Japan only

H3000

**ELECTRICAL PARTS**

REF NO.	PART NO.	DESCRIPTION	部 品 名	REMARKS	ランク
		ELECTRICAL PARTS	電 気 部 品		
*	VR149400	Circuit Board	AC3	A C 3 シ ー ト	J
*	VR149500	Circuit Board	AC3	A C 3 シ ー ト	U,V
*	VR436100	Circuit Board	AC3	A C 3 シ ー ト	C
*	VR149600	Circuit Board	AC3	A C 3 シ ー ト	H,B,W
*	VR151100	Circuit Board	CO3	C O 3 シ ー ト	
*	NX813600	Circuit Board	FP1/3	F P 1 / 3 シ ー ト	
*	NX813610	Circuit Board	FP2/3	F P 2 / 3 シ ー ト	
*	NX813620	Circuit Board	FP3/3	F P 3 / 3 シ ー ト	
*	VR148700	Circuit Board	IN	I N シ ー ト	
*	VR148200	Circuit Board	PA3	P A 3 シ ー ト	
*	VR148400	Circuit Board	PRO	P R O シ ー ト	
*	VR149400	Circuit Board	AC3	A C 3 シ ー ト	J
*	VR149500	Circuit Board	AC3	A C 3 シ ー ト	U,V
*	VR436100	Circuit Board	AC3	A C 3 シ ー ト	C
*	VR149600	Circuit Board	AC3	A C 3 シ ー ト	H,B,W
	VR147500	Mylar Capacitor	0.1000 400V K	マ イ ラ ー コ ン	
	VE326400	Monolithic Mylar Capacitor	0.22 50V J	積 層 マ イ ラ ー コ ン	01
	FG644100	Ceramic Capacitor	0.0100 50V Z	セ ラ コ ン F	01
	UJ739220	Electrolytic Cap.	2200 16.0V	ケ ミ コ ン	02
	HF755220	Carbon Resistor	220.0 1/4 J	カ ー ボ ン 抵 抗	01
	HF755470	Carbon Resistor	470.0 1/4 J	カ ー ボ ン 抵 抗	01
	HF756100	Carbon Resistor	1.0K 1/4 J	カ ー ボ ン 抵 抗	01
	HF756820	Carbon Resistor	8.2K 1/4 J	カ ー ボ ン 抵 抗	01
	HF757100	Carbon Resistor	10.0K 1/4 J	カ ー ボ ン 抵 抗	01
	HF757220	Carbon Resistor	22.0K 1/4 J	カ ー ボ ン 抵 抗	01
	HF757470	Carbon Resistor	47.0K 1/4 J	カ ー ボ ン 抵 抗	01
	HF759100	Carbon Resistor	1.0M 1/4 J	カ ー ボ ン 抵 抗	01
	HV753100	Flame Proof C. Resistor	1.0 1/4 J	不 燃 化 カ ー ボ ン 抵 抗	01
	VC731200	Metal Oxide Film Resistor	100.0 1W J	酸 化 金 属 被 膜 抵 抗	01
	VQ883800	Metal Oxide Film Resistor	47K 1W J	酸 化 金 属 被 膜 抵 抗	
△	KB003470	Fuse	T 500mA 250V	ヒ ユ ー ズ	J,U,C,V 01
△	VR152000	Fuse	T 30.00A	ヒ ユ ー ズ	J
△	VL873900	Fuse	T 25.00A	ヒ ユ ー ズ	U 02
△	VL873800	Fuse	T 12.00A	ヒ ユ ー ズ	C 03
△	KB003280	Fuse	T 1.00A	ヒ ユ ー ズ	H,B,W
△	KB003360	Fuse	T 6.30A 250V	ヒ ユ ー ズ	H,B,W 02
	VA855400	Terminal		P C 用 カ ラ ゲ 端 子	01
	VR756200	Connector	D-SUB(S)-15P SE	コ ネ ク タ	MONITOR/REMOTE 06
	LB932030	Base Post Connector	VH- 3P TE	ベ ー ス ポ ス ト	01
	LB932040	Base Post Connector	VH- 4P TE	ベ ー ス ポ ス ト	01
	VB390000	Connector Base Post	PH- 4P TE	コ ネ ク タ ベ ー ス ポ ス ト	01
	VB390800	Connector Base Post	PH-12P TE	コ ネ ク タ ベ ー ス ポ ス ト	01
	LB201530	Fuse Holder	PC-FH1	ヒ ユ ー ズ ホ ル ダ	01
	1A111520	Transistor	2SA1115 E,F	ト ラ ン ジ ス タ	01
	VR181900	Transistor	2SA1614 Q,P	ト ラ ン ジ ス タ	
	1C260320	Transistor	2SC2603 E,F	ト ラ ン ジ ス タ	01
	VR157600	Transistor	2SC3352	ト ラ ン ジ ス タ	
	VC139800	Transistor	2SD1762	ト ラ ン ジ ス タ	02
	VB481900	Diode	11ES4	ダ イ オ ー ド	01
	VB941200	Diode	1SS133,1SS176	ダ イ オ ー ド	01
	VQ554500	Zener Diode	MTZJ8.2B 8.2V	ツ ェ ナ ー ダ イ オ ー ド	
	VQ557000	Zener Diode	MTZJ22A 22.0V	ツ ェ ナ ー ダ イ オ ー ド	
△	VR871700	Varistor	ERZ-V07D431	バ リ ス タ	
	VR153000	Photo Coupler	PC818	フ ォ ト カ プ ラ	
	VA078900	Jumper Wire	0.55	ジ ャ ン パ ー 線	
	--	Connector Assembly	PH&PH 12P 140L	束 線 # 2 8	(VR77680)
	--	Connector Assembly	PH&PH 4P 80L	束 線 # 2 8	(VR77690)

\* New Parts (新規部品)

ランク： Japan only

REF NO.	PART NO.	DESCRIPTION		部 品 名	REMARKS	ランク
	VR151100	Circuit Board	CO3	C O 3 シ ー ト		
	VR147500	Mylar Capacitor	0.1000 400V K	マ イ ラ ー コ ン		
	VC738300	Metal Oxide Film Resistor	47.0K 1W J	酸 化 金 属 被 膜 抵 抗		
	VA855400	Terminal		P C 用 カ ラ ゲ 端 子		01
	LB933040	Base Post Connector	VH- 4P SE	ベ ー ス ポ ス ト		01
	VA078900	Jumper Wire	0.55	ジ ャ ン パ ー 線		
	--	Connector Assembly	E(HPX)	束 線	(VR57510)	
	NX813600	Circuit Board	FP1/3	F P 1 / 3 シ ー ト		
	NX813610	Circuit Board	FP2/3	F P 2 / 3 シ ー ト		
	NX813620	Circuit Board	FP3/3	F P 3 / 3 シ ー ト		
	UJ865220	Electrolytic Cap.	0.22 50.0V	ケ ミ コ ン		01
	UJ866100	Electrolytic Cap.	1.00 50.0V	ケ ミ コ ン		01
	UK866220	Electrolytic Cap.-BP	2.20 50.0V	B P ケ ミ コ ン		01
	UK866330	Electrolytic Cap.-BP	3.30 50.0V	B P ケ ミ コ ン		01
	F1383100	Capacitor	1000P 400V	規 格 認 定 コ ン		01
	HF755220	Carbon Resistor	220.0 1/4 J	カ ー ボ ン 抵 抗		01
	HF756150	Carbon Resistor	1.5K 1/4 J	カ ー ボ ン 抵 抗		01
	HF756330	Carbon Resistor	3.3K 1/4 J	カ ー ボ ン 抵 抗		01
	HF756470	Carbon Resistor	4.7K 1/4 J	カ ー ボ ン 抵 抗		01
	HF757150	Carbon Resistor	15.0K 1/4 J	カ ー ボ ン 抵 抗		01
	HF757220	Carbon Resistor	22.0K 1/4 J	カ ー ボ ン 抵 抗		01
	HF757470	Carbon Resistor	47.0K 1/4 J	カ ー ボ ン 抵 抗		01
	HF758100	Carbon Resistor	100.0K 1/4 J	カ ー ボ ン 抵 抗		01
	--	Carbon Resistor	150.0K 1/4 J	カ ー ボ ン 抵 抗	(HF75815)	
	KA805150	Push Switch	ESB-8215V-F	プ ッ シ ュ S W	POWER switch	03
	LB933030	Base Post Connector	VH- 3P SE	ベ ー ス ポ ス ト		01
	VB389800	Connector Base Post	PH- 2P TE	コ ネ ク タ ベ ー ス ポ ス ト		01
	VB390200	Connector Base Post	PH- 6P TE	コ ネ ク タ ベ ー ス ポ ス ト		01
	VB390800	Connector Base Post	PH-12P TE	コ ネ ク タ ベ ー ス ポ ス ト		01
	VR150500	Rotary Variable Resistor	5K RK271112	ロ ー タ リ ー V R	Input att. A,B	
	IA111520	Transistor	2SA1115 E,F	ト ラ ン ジ ス タ		01
	IC260320	Transistor	2SC2603 E,F	ト ラ ン ジ ス タ		01
	VB941200	Diode	1SS133,1SS176	ダ イ オ ー ド		01
	VL699900	LED	GL3KG43 GR	L E D	INPUT SIGNAL	01
	VM702100	LED	GL3PR43 RE	L E D	POWER,TEMP,	
	VP246800	LED	GL3HS43 OR	L E D	PROTECT,CLIP	01
	VD678500	Digital Transistor	DTA114ES	デ ジ タ ル ト ラ ン ジ ス タ	OUTPUT SIGNAL	03
	VD678700	Digital Transistor	DTC114ES	デ ジ タ ル ト ラ ン ジ ス タ		03
	VA078900	Jumper Wire	0.55	ジ ャ ン パ ー 線		
	CB056250	LED Spacer		L E D ス ペ ー サ ー		01
	--	Connector Assembly	VR(HPX)	束 線	(VR15360)	
	--	Connector Assembly	SW(HPX)	束 線	(VR15500)	
	--	Connector Assembly	PH&PH 12P 300L	束 線 # 2 8	(VR16500)	
	VR148700	Circuit Board	IN	I N シ ー ト		
	FZ005200	Mylar Capacitor	0.1000 100V K	マ イ ラ ー コ ン		01
	FG613100	Ceramic Capacitor	1000P 50V K	セ ラ コ ン B		01
	FG644100	Ceramic Capacitor	0.0100 50V Z	セ ラ コ ン F		01
	UJ847470	Electrolytic Cap.	47.00 25.0V	ケ ミ コ ン		01
	UJ857330	Electrolytic Cap.	33.00 35.0V	ケ ミ コ ン		01
	V1533900	Electrolytic Cap.-FS	22.00 25.0V	ケ ミ コ ン F S		01
	FU451100	Mica Capacitor	10P 500V D	マ イ カ コ ン		01
	FU451560	Mica Capacitor	56P 500V J	マ イ カ コ ン		
	VR150900	Coil	RZ-001 21mm	空 芯 コ イ ル		
	VK680700	Metal Film Resistor	47.0 1/4 F	金 属 被 膜 抵 抗		
	VR147600	Metal Film Resistor	4.7 3W J	金 属 被 膜 抵 抗		
	VB068800	Metal Film Resistor	47.0K 1/4 F	金 属 被 膜 抵 抗		01
	VK681300	Metal Film Resistor	1.0K 1/4 F	金 属 被 膜 抵 抗		01

\* New Parts (新規部品)

ランク : Japan only

REF NO.	PART NO.	DESCRIPTION		部 品 名	REMARKS	ランク
	VK682400	Metal Film Resistor	15.0K 1/4 F	金 属 被 膜 抵 抗		
	VK682700	Metal Film Resistor	100.0K 1/4 F	金 属 被 膜 抵 抗		01
	VL403400	Metal Film Resistor	5.1K 1/4 F	金 属 被 膜 抵 抗		
	VC745400	Metal Oxide Film Resistor	150.0 1W J	酸 化 金 属 被 膜 抵 抗		01
	XB979A00	IC	M5238P	I C	OP AMP	03
	XK841A00	IC	NJM7818FA	I C	REGULATOR +18V	02
	XK842A00	IC	NJM7918FA	I C	REGULATOR -18V	02
	VG529800	Slide Switch	SSSU12	ス ラ イ ド S W	PIN 1 GND	02
	VR150600	Slide Switch	SSSB12	ス ラ イ ド S W	ST/BRIDGE/PARA.	
	VQ694500	Relay	DC DE24D2-OT(M)	リ レ ー 2 4 V		
	LA005530	Speaker Terminal	#553 2P	ス ピ ー カ 端 子 2 P	SPEAKER A ch	06
	LA005540	Speaker Terminal	#554 2P	ス ピ ー カ 端 子 2 P	SPEAKER B ch	06
	LB302070	Phone Connector	HLJ0544 Stereo	ホ ー ノ ン コ ネ ク タ	PARA./BRIDGE	03
	LB302320	Cannon Connector	XLB-3-31PCV-M10	キ ャ ノ ン コ ネ ク タ	INPUT A,B	07
	LB302340	Cannon Connector	XLB-3-32PCV	キ ャ ノ ン コ ネ ク タ	INPUT A,B	06
	LB932040	Base Post Connector	VH- 4P TE	ベ ー ス ポ ス ト		01
	VB389900	Connector Base Post	PH- 3P TE	コ ネ ク タ ベ ー ス ポ ス ト		01
	VB390000	Connector Base Post	PH- 4P TE	コ ネ ク タ ベ ー ス ポ ス ト		01
	VB390200	Connector Base Post	PH- 6P TE	コ ネ ク タ ベ ー ス ポ ス ト		01
	VB390300	Connector Base Post	PH- 7P TE	コ ネ ク タ ベ ー ス ポ ス ト		01
	VF283100	Connector Base Post	PH-13P TE	コ ネ ク タ ベ ー ス ポ ス ト		01
	VB481900	Diode	11ES4	ダ イ オ ード		01
	VB941200	Diode	1SS133,1SS176	ダ イ オ ード		01
	VP116000	Photo Coupler	P873-G35-552	フ ォ ト カ プ ラ		06
	VA078900	Jumper Wire	0.55	ジ ャ ン パ ー 線		
	--	Connector Assembly	PH&PH 13P 60L	束 線 # 2 8	(VR43650)	
	VR148200	Circuit Board	PA3	P A 3 シ ー ト		
	VS111000	Mylar Capacitor	4.7000 250V K	マ イ ラ ー コ ン		
	FT553150	Polypropylene Capacitor	1500P 50V J	P P コ ン		03
	UT353100	Polypropylene Capacitor	1000P 50V J	P P コ ン		
	FG651100	Ceramic Capacitor-SL	10P 50V D	セ ラ コ ン ( S L )		01
	VG929600	Ceramic Capacitor	2200/500	セ ラ コ ン		01
	FG644100	Ceramic Capacitor	0.0100 50V Z	セ ラ コ ン F		01
	UJ818100	Electrolytic Cap.	100.00 6.3V	ケ ミ コ ン		01
	UJ867100	Electrolytic Cap.	10.00 50.0V	ケ ミ コ ン		01
	UJ896470	Electrolytic Cap.	4.7 100.0V	ケ ミ コ ン		01
	VP583900	Electrolytic Cap.-PR	220.00 200.0V	ケ ミ コ ン P R		
	VR147100	Electrolytic Cap.	2.2 200.0V	ケ ミ コ ン		
	VR147200	Electrolytic Cap.	10.0 200.0V	ケ ミ コ ン		
	FU451100	Mica Capacitor	10P 500V D	マ イ カ コ ン		01
	FU451220	Mica Capacitor	22P 500V J	マ イ カ コ ン		01
	FU451330	Mica Capacitor	33P 500V J	マ イ カ コ ン		01
	FU451470	Mica Capacitor	47P 500V J	マ イ カ コ ン		01
	FU452100	Mica Capacitor	100P 500V J	マ イ カ コ ン		01
	VS125800	Coil	40-25	コ イ ル		
	VR151900	Coil	FLM-0811 4R7	コ イ ル		
	HF754330	Carbon Resistor	33.0 1/4 J	カ ー ボ ン 抵 抗		01
	HV753220	Flame Proof C. Resistor	2.2 1/4 J	不 燃 化 カ ー ボ ン 抵 抗		01
	HV753470	Flame Proof C. Resistor	4.7 1/4 J	不 燃 化 カ ー ボ ン 抵 抗		01
	HV754100	Flame Proof C. Resistor	10.0 1/4 J	不 燃 化 カ ー ボ ン 抵 抗		01
	HV754220	Flame Proof C. Resistor	22.0 1/4 J	不 燃 化 カ ー ボ ン 抵 抗		01
	HV754330	Flame Proof C. Resistor	33.0 1/4 J	不 燃 化 カ ー ボ ン 抵 抗		01
	HV755120	Flame Proof C. Resistor	120.0 1/4 J	不 燃 化 カ ー ボ ン 抵 抗		01
	HV755150	Flame Proof C. Resistor	150.0 1/4 J	不 燃 化 カ ー ボ ン 抵 抗		01
	HV755220	Flame Proof C. Resistor	220.0 1/4 J	不 燃 化 カ ー ボ ン 抵 抗		01
	HV755270	Flame Proof C. Resistor	270.0 1/4 J	不 燃 化 カ ー ボ ン 抵 抗		01
	HV755330	Flame Proof C. Resistor	330.0 1/4 J	不 燃 化 カ ー ボ ン 抵 抗		01
	HV755680	Flame Proof C. Resistor	680.0 1/4 J	不 燃 化 カ ー ボ ン 抵 抗		01
	HV755820	Flame Proof C. Resistor	820.0 1/4 J	不 燃 化 カ ー ボ ン 抵 抗		01

\* New Parts (新規部品)

ランク : Japan only

REF NO.	PART NO.	DESCRIPTION		部 品 名	REMARKS	ランク
	HV756220	Flame Proof C. Resistor	2.2K 1/4 J	不燃化カーボン抵抗		01
	VK681100	Metal Film Resistor	470.0 1/4 F	金属被膜抵抗		01
	VR157800	Metal Film Resistor	560.0 1/4 F	金属被膜抵抗		
	VR158300	Metal Film Resistor	220.0 1/4 F	金属被膜抵抗		
	VR158400	Metal Film Resistor	110.0 1/4 F	金属被膜抵抗		
	VR158500	Metal Film Resistor	330.0 1/4 F	金属被膜抵抗		
	VR159100	Metal Film Resistor	620.0 1/4 F	金属被膜抵抗		
	VA074600	Metal Film Resistor	15.0K 1/4 F	金属被膜抵抗		01
	VB071200	Metal Film Resistor	470.0K 1/4 F	金属被膜抵抗		01
	VB071800	Metal Film Resistor	820.0K 1/4 F	金属被膜抵抗		
	VI950900	Metal Film Resistor	RE35 2.2K 1/4 F	金属被膜抵抗		01
	VI951000	Metal Film Resistor	RE35 5.6K 1/4 F	金属被膜抵抗		01
	VK681300	Metal Film Resistor	1.0K 1/4 F	金属被膜抵抗		01
	VK682700	Metal Film Resistor	100.0K 1/4 F	金属被膜抵抗		01
	VR157700	Metal Film Resistor	27.0K 1/4 F	金属被膜抵抗		
	VR159200	Metal Film Resistor	47.0K 1/4 F	金属被膜抵抗		
	VR159300	Metal Film Resistor	39.0K 1/4 F	金属被膜抵抗		
	VR159400	Metal Film Resistor	33.0K 1/4 F	金属被膜抵抗		
	VR159500	Metal Film Resistor	22.0K 1/4 F	金属被膜抵抗		
	VR160000	Metal Film Resistor	82.0K 1/4 F	金属被膜抵抗		
	VR150200	Wire Wound Resistor	0.22 5W K	セメント抵抗		
	VR150300	Wire Wound Resistor	0.10 5W K	セメント抵抗		
	VE404900	Positive Thermister	PTH59F04BE471TS	温度検知用ポジスタ		04
	LB932040	Base Post Connector	VH- 4P TE	ベースポスト		01
	VB389900	Connector Base Post	PH- 3P TE	コネクタベースポスト		01
	VB390200	Connector Base Post	PH- 6P TE	コネクタベースポスト		01
	VB858100	Connector Base Post	PH- 2P SE	コネクタベースポスト		01
	VA785600	Trimmer Potentiometer	B220 3P RH0614	半固定 V R	Idle current ad	01
	IA097030	Transistor	2SA970 GR,BL	トランジスタ		01
	IA101590	Transistor	2SA1015 O,Y	トランジスタ		01
	IA111520	Transistor	2SA1115 E,F	トランジスタ		01
	VR152800	Transistor	2SA1480 E,F	トランジスタ		
	IC1815M0	Transistor	2SC1815 Y,GR	トランジスタ		01
	IC224030	Transistor	2SC2240 GR,BL	トランジスタ		01
	IC260320	Transistor	2SC2603 E,F	トランジスタ		01
	VR152600	Transistor	2SC1473 Q,R	トランジスタ		
	VR152900	Transistor	2SC3790 E,F	トランジスタ		
	VQ547400	Pair Transistor	A1837/C4793 HFE	ペアトランジスタ		04
	VR152200	Pair Transistor	A1294/C3263	ペアトランジスタ		
	VR152300	Pair Transistor	A1386/C3519	ペアトランジスタ		
	VR732800	Pair Transistor	A1859A/C4883A	ペアトランジスタ		
	IH000630	Diode	10E-2	ダイオード		01
	VB941200	Diode	1SS133,1SS176	ダイオード		01
	VE564400	Diode	1SS82(52MM) TP	ダイオード		01
	VQ308300	Diode	D1NL40	ダイオード		
	VR149700	Diode Stack	D8LD40 8.0A	ダイオードスタック	400V	
	VS135800	Diode Stack	FMX-22S 10.0A	ダイオードスタック	200V	
	VP602700	Zener Diode	UZ-6.2BSK1-TP	ツェナーダイオード		
	VL964800	Positive Thermister	PTH9M04BH222TS2	ポジスタ		04
	VL965100	Positive Thermister	PTH9M04BE222TS2	ポジスタ		04
	VA078900	Jumper Wire	0.55	ジャンパー線		
	--	Connector Assembly	IN(HPX)	束線	(VR15330)	
	--	Connector Assembly	+B3(HPX)	束線	(VR57420)	
	--	Connector Assembly	PH&PH 6P 250L	束線 # 2 8	(VN07050)	
	VR148400	Circuit Board	PRO	P R O シ ー ト		
	EP630650	Bind Head Tapping Screw-C	3.0X8 FCM3BL	+バインドCタイト		01
	ET700040	Spring Washer	#2 3.0 FCM3BL	バネ座金		01
	FG613100	Ceramic Capacitor	1000P 50V K	セラコン B		01
	FG613470	Ceramic Capacitor-B	4700P 50V K	セラコン B		01

\* New Parts (新規部品)

ランク: Japan only

REF NO.	PART NO.	DESCRIPTION	部 品 名	REMARKS	ランク
	FG652100	Ceramic Capacitor-SL	セラコン ( S L )		01
	FG644100	Ceramic Capacitor	セラコン F		01
	UJ768470	Electrolytic Cap.	ケミコン		
	UJ818330	Electrolytic Cap.	ケミコン		01
	UJ828100	Electrolytic Cap.	ケミコン		01
	UJ838100	Electrolytic Cap.	ケミコン		01
	UJ858100	Electrolytic Cap.	ケミコン		01
	UJ865220	Electrolytic Cap.	ケミコン		01
	UJ866330	Electrolytic Cap.	ケミコン		01
	UJ867100	Electrolytic Cap.	ケミコン		01
	UJ867220	Electrolytic Cap.	ケミコン		01
	UK817470	Electrolytic Cap.-BP	B P ケミコン		01
	HF755220	Carbon Resistor	カーボン抵抗	(HF75527)	01
	--	Carbon Resistor	カーボン抵抗		
	HF755330	Carbon Resistor	カーボン抵抗		01
	HF756100	Carbon Resistor	カーボン抵抗		01
	HF756120	Carbon Resistor	カーボン抵抗		01
	HF756150	Carbon Resistor	カーボン抵抗		01
	HF756220	Carbon Resistor	カーボン抵抗		01
	HF756330	Carbon Resistor	カーボン抵抗		01
	HF756470	Carbon Resistor	カーボン抵抗		01
	HF756560	Carbon Resistor	カーボン抵抗		01
	HF756680	Carbon Resistor	カーボン抵抗		01
	HF756820	Carbon Resistor	カーボン抵抗		01
	HF757100	Carbon Resistor	カーボン抵抗		01
	HF757150	Carbon Resistor	カーボン抵抗		01
	HF757220	Carbon Resistor	カーボン抵抗		01
	HF757330	Carbon Resistor	カーボン抵抗		01
	HF757470	Carbon Resistor	カーボン抵抗		01
	HF757560	Carbon Resistor	カーボン抵抗		01
	--	Carbon Resistor	カーボン抵抗	(HF75768)	
	HF757820	Carbon Resistor	カーボン抵抗		01
	HF758100	Carbon Resistor	カーボン抵抗		01
	--	Carbon Resistor	カーボン抵抗	(HF75815)	
	XB979A00	IC	I C	OP AMP	03
	XJ604A00	IC	I C	REGULATOR +5V	02
	LB932050	Base Post Connector	ベースポスト		01
	VB390200	Connector Base Post	コネクタベースポスト		01
	VB390800	Connector Base Post	コネクタベースポスト		01
	VF283100	Connector Base Post	コネクタベースポスト		01
	IA111520	Transistor	トランジスタ		01
	VC139700	Transistor	トランジスタ		02
	IC260320	Transistor	トランジスタ		01
	VB941200	Diode	ダイオード		01
	VH530100	Diode	ダイオード		01
	IH001120	Diode Stack	ダイオードスタック	200V	03
	VQ552500	Zener Diode	ツェナーダイオード		
	VQ553900	Zener Diode	ツェナーダイオード		
	VQ554800	Zener Diode	ツェナーダイオード		
	VQ556200	Zener Diode	ツェナーダイオード		
	VD678500	Digital Transistor	デジタルトランジスタ		03
	VD678700	Digital Transistor	デジタルトランジスタ		03
	VP728900	Heat Sink	ヒートシンク		03
	VA078900	Jumper Wire	ジャンパー線		
*	XN188A00	Power Transformer	J	J	
*	XN189A00	Power Transformer	UCV	U,C,V	
*	XN190A00	Power Transformer	HW	H,W	
*	XN191A00	Power Transformer	B	B	

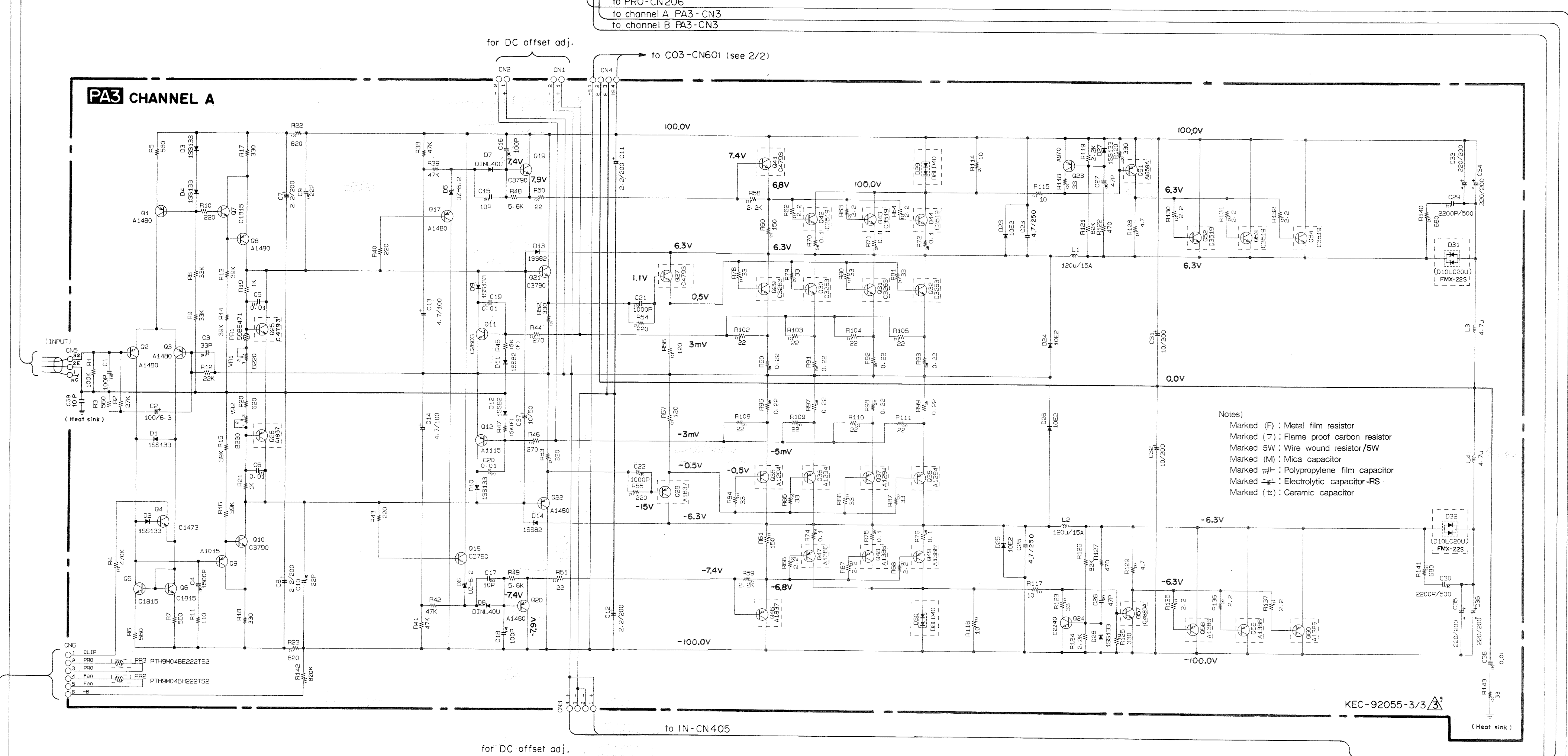
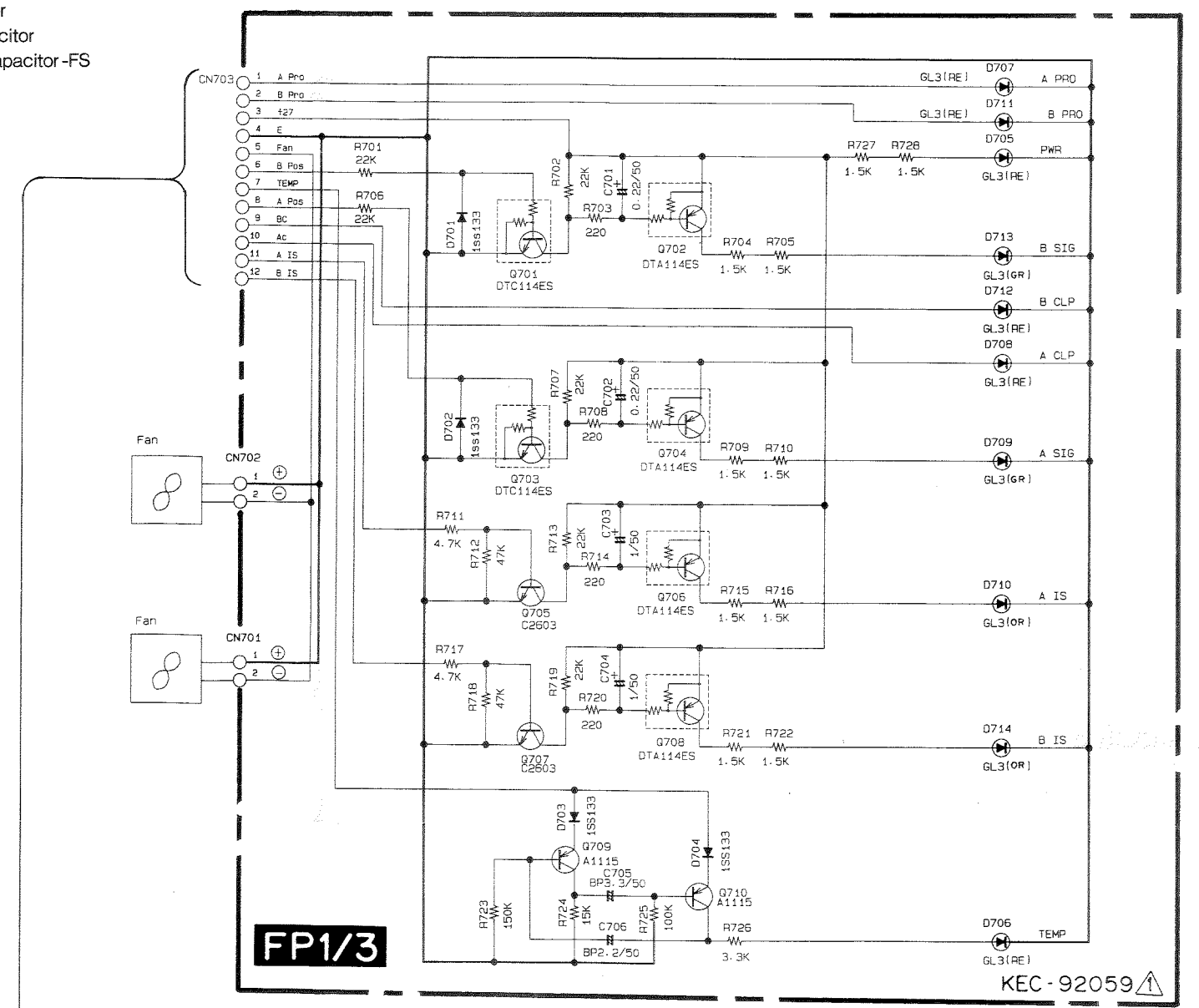
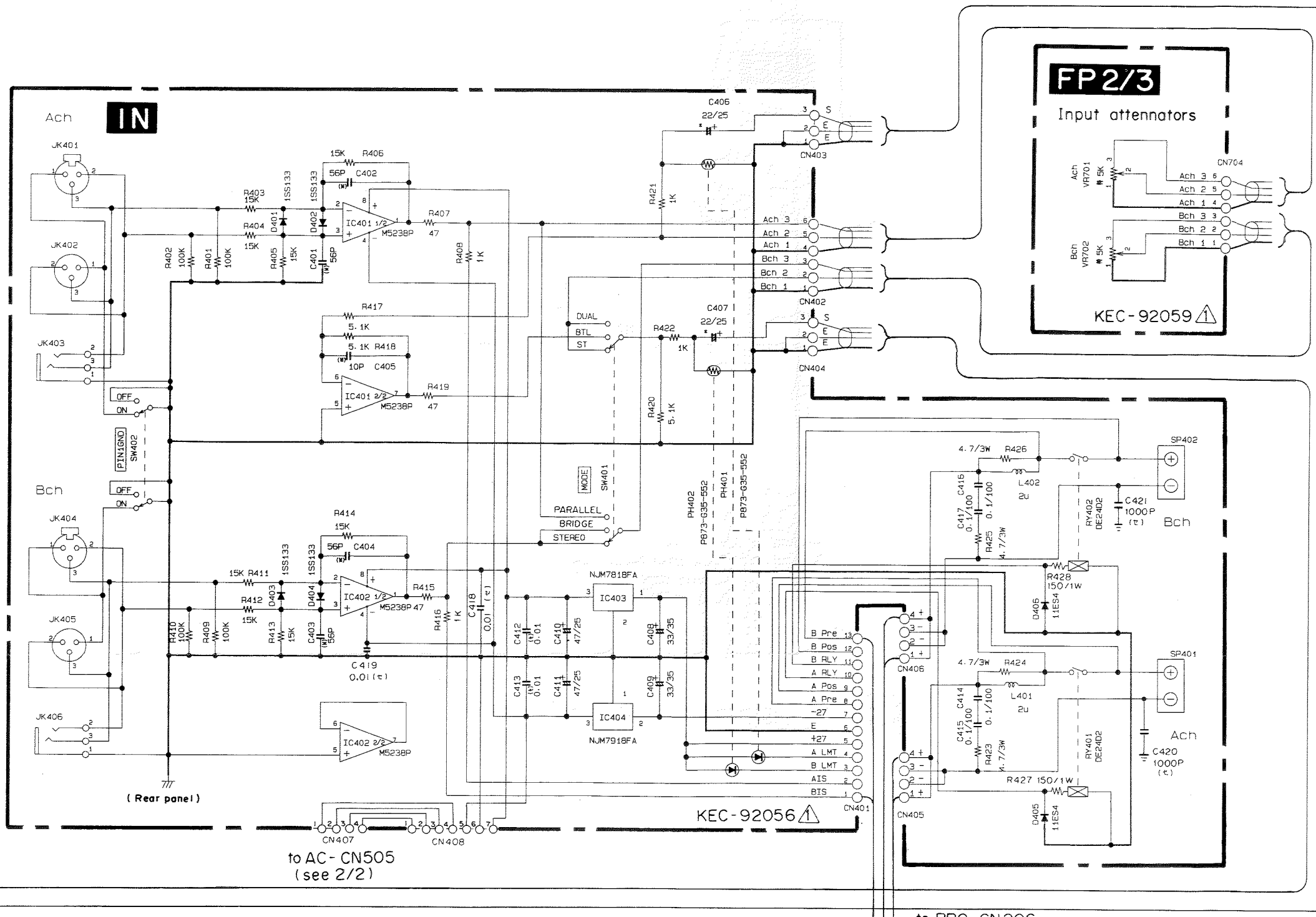
\* New Parts (新規部品)

ランク : Japan only

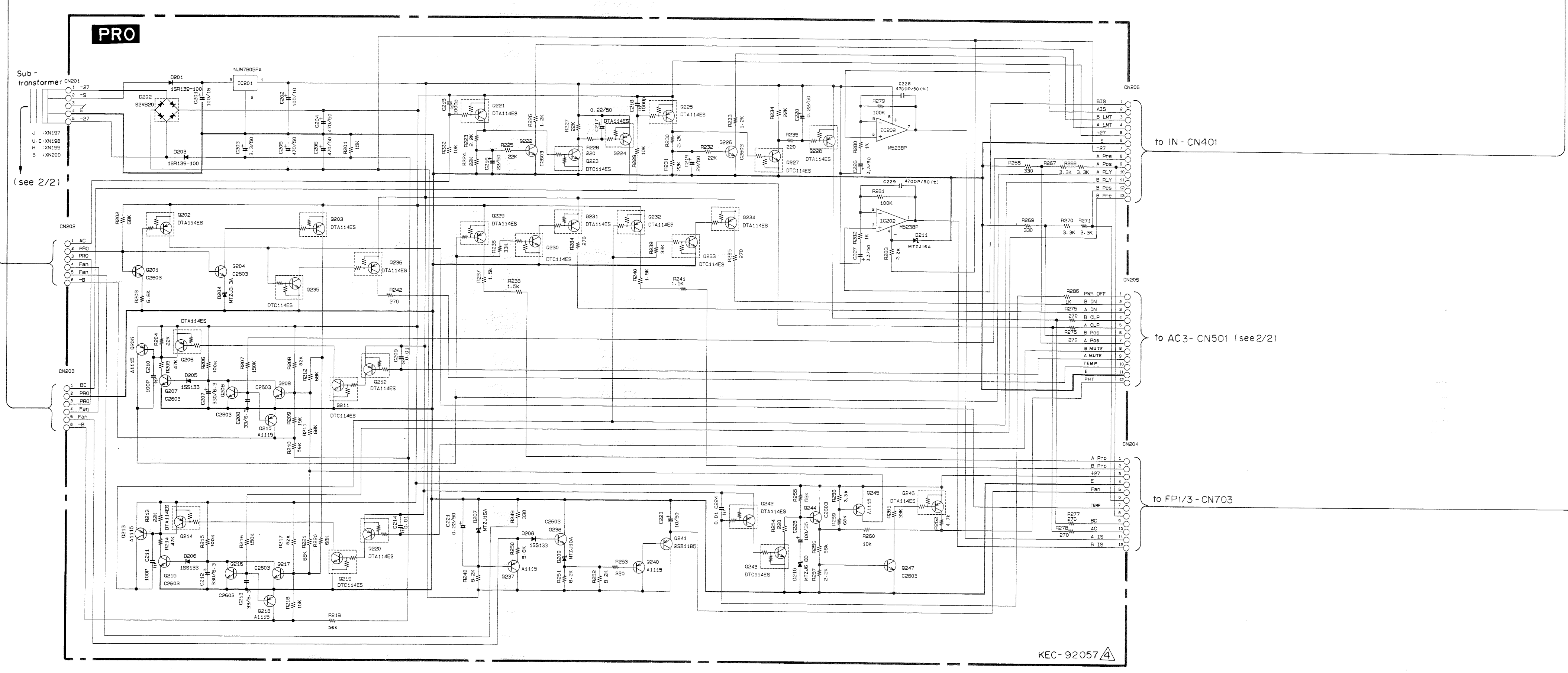
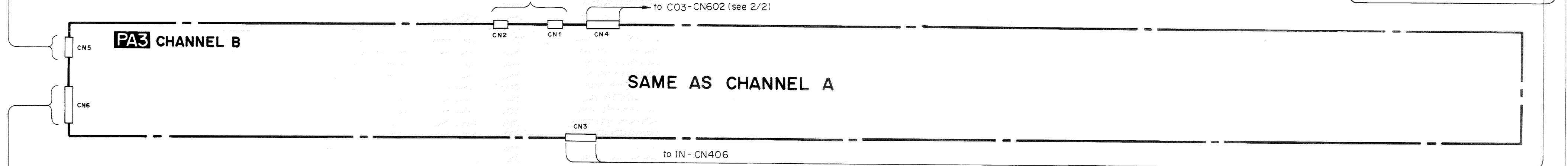




Notes)  
Marked 3W : Metal oxide film resistor  
Marked (M) : Mica capacitor  
Marked (t) : Ceramic capacitor  
Marked -E- : Electrolytic capacitor -FS

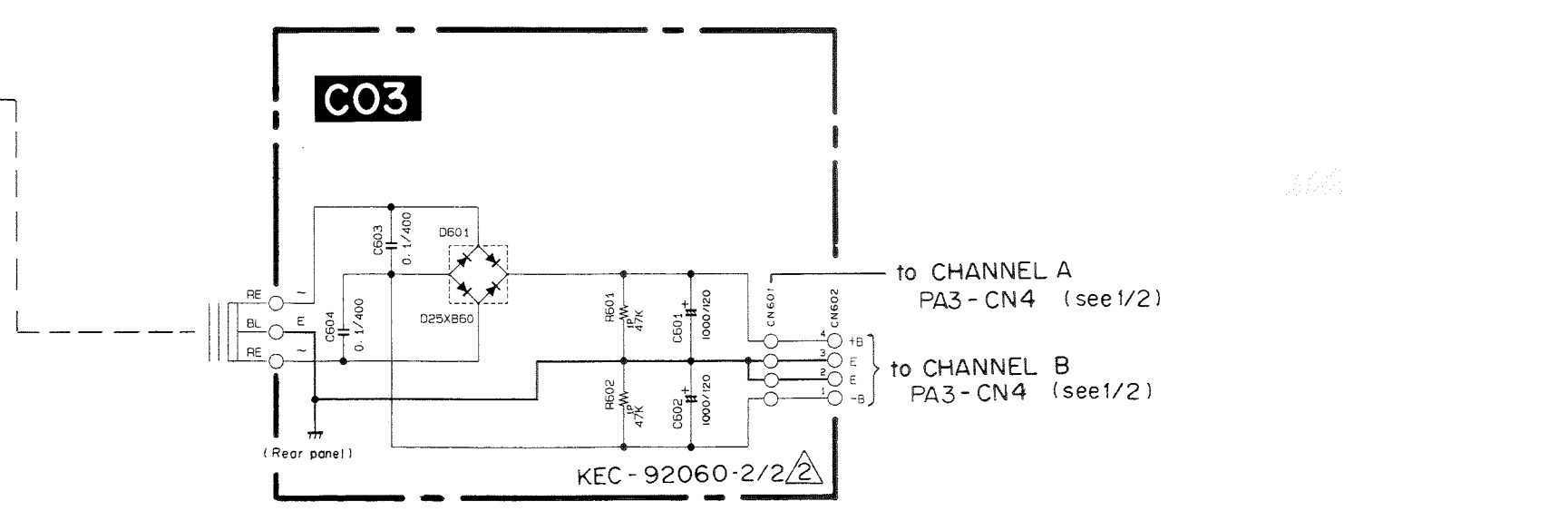
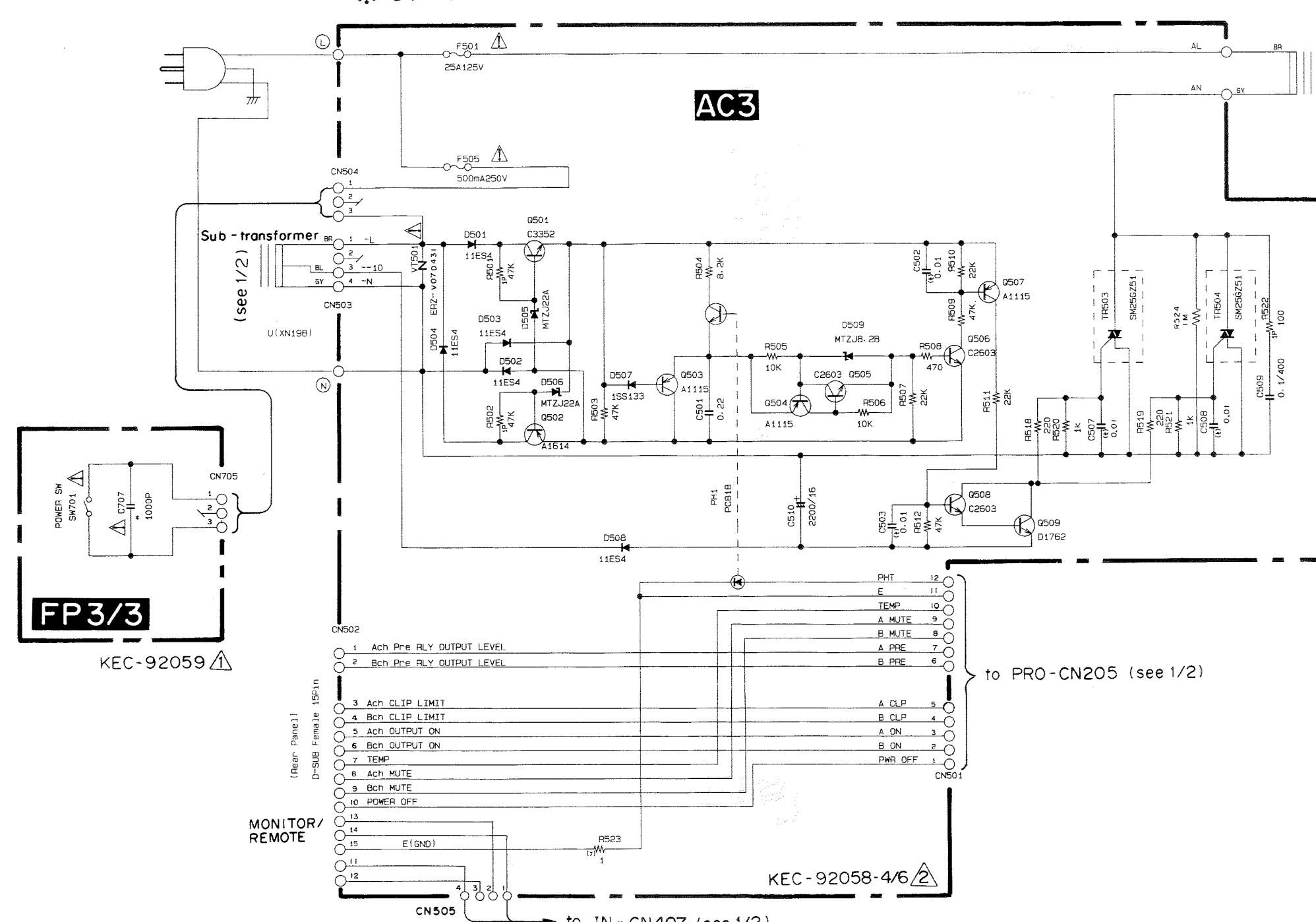


Notes)  
Marked (F) : Metal film resistor  
Marked (7) : Flame proof carbon resistor  
Marked SW : Wire wound resistor/SW  
Marked (M) : Mica capacitor  
Marked (t) : Polypropylene film capacitor  
Marked -E- : Electrolytic capacitor -FS  
Marked (C) : Ceramic capacitor





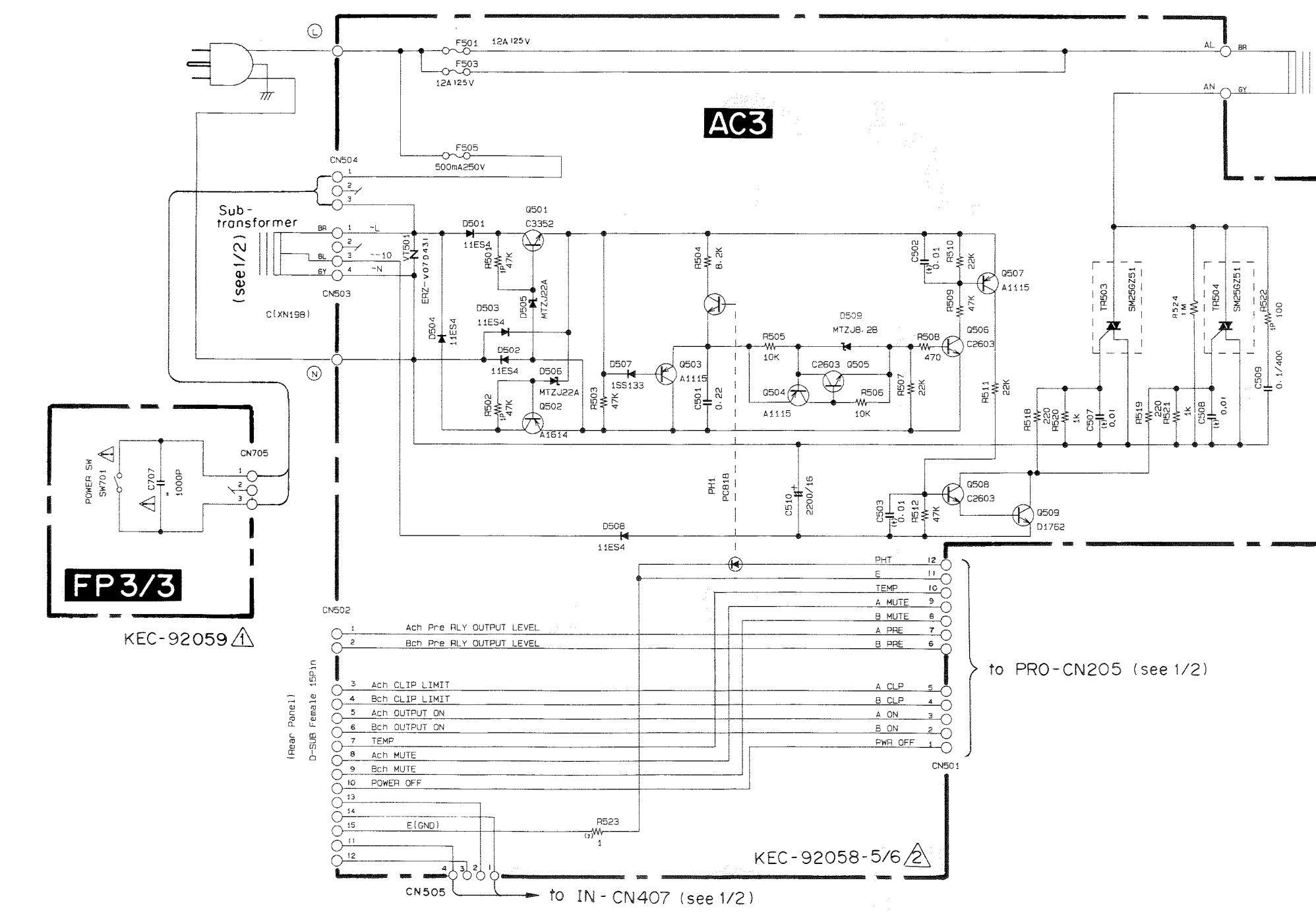
U.S. model



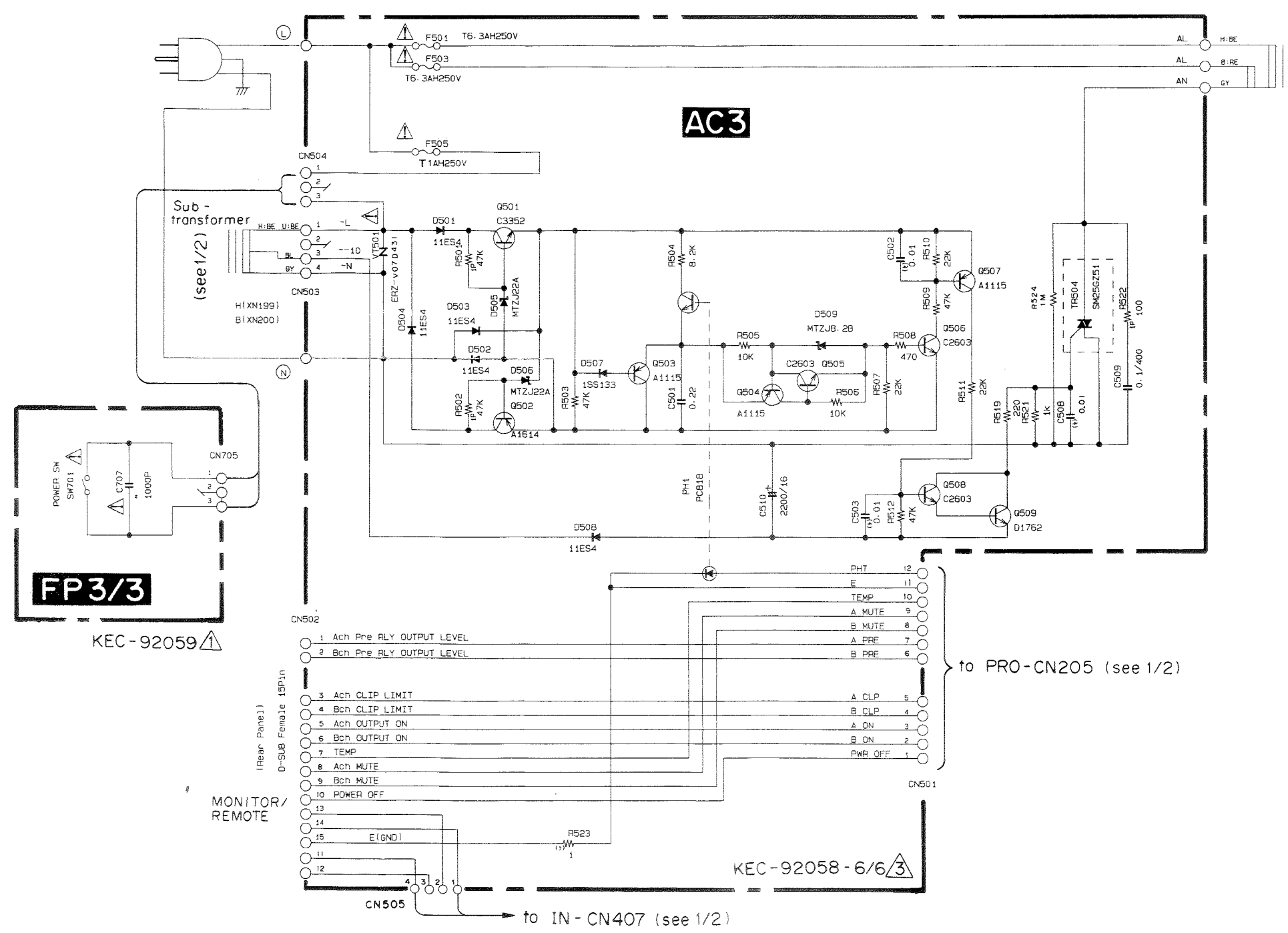
Notes: Marked IP: Metal oxide film resistor, Marked (P): Flame proof carbon resistor, Marked (C): Ceramic capacitor, Marked (E): Parts on AC unit

WARNING: Components having special characteristics are marked .1. and must be replaced with parts having specifications equal to those originally installed.

Canadian model



North European & British models



Notes table for U.S. and Canadian models, listing components like ICs, diodes, capacitors, resistors, and connectors with their part numbers and values.

Notes table for North European & British models, listing components like transistors, diodes, capacitors, resistors, and connectors with their part numbers and values.



Notes  
Marked 3W : Metal oxide film resistor  
Marked (M) : Mica capacitor  
Marked (t) : Ceramic capacitor  
Marked -E- : Electrolytic capacitor-FS

