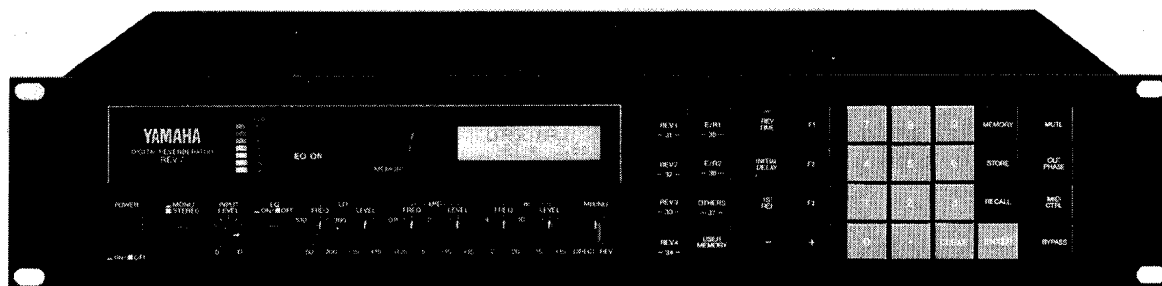


DIGITAL REVERBERATOR REV7

SERVICE MANUAL

REV7



CONTENTS

IMPORTANT NOTICE	1	FUNCTIONAL BLOCK DIAGRAM AND	
BLOCK DIAGRAM	1	SIGNAL FLOW	13
SPECIFICATIONS	2	CIRCUIT DESCRIPTION	14 ~ 18
DIMENSIONS	2	UNIT LAYOUT	19
PANEL LAYOUT	3	CHECKS AND ADJUSTMENTS	20/21
ROOM SIZE CHART	4	DIAGNOSTIC PROGRAMS	22 ~ 24
MEMORY (ROM) CONTENTS AND		IC PIN ASSIGNMENTS AND FUNCTIONS ..	25 ~ 26
CONTROLLABLE PARAMETERS	5	MIDI IMPLEMENTATION CHART	27
GENERAL INFORMATION	6 ~ 12	CIRCUIT BOARDS	28 ~ 32
EXPLANATION OF PARAMETERS	6	PARTS LIST	33 ~ 39
RECALL/EDIT/STORE	11	SCHEMATIC DIAGRAM	40/41
MIDI CONTROL	12		
STEREO/MONO AND EQUALIZER	12		

006664

SINCE 1887



YAMAHA

NIPPON GAKKI CO., LTD. HAMAMATSU, JAPAN

1.81K-415 ① Printed in Japan 85.10

IMPORTANT NOTICE

This manual has been provided for the use of authorized Yamaha Retailers and their service personnel. It has been assumed that basic service procedures inherent to the industry, and more specifically Yamaha Products, are already known and understood by the users, and have therefore not been restated.

WARNING: Failure to follow appropriate service and safety procedures when servicing this product may result in personal injury, destruction of expensive components and failure of the product to perform as specified. For these reasons, we advise all Yamaha product owners that all service required should be performed by an authorized Yamaha Retailer or the appointed service representative.

IMPORTANT: The presentation or sale of this manual to any individual or firm does not constitute authorization, certification, recognition of any applicable technical capabilities, or establish a principle-agent relationship of any form.

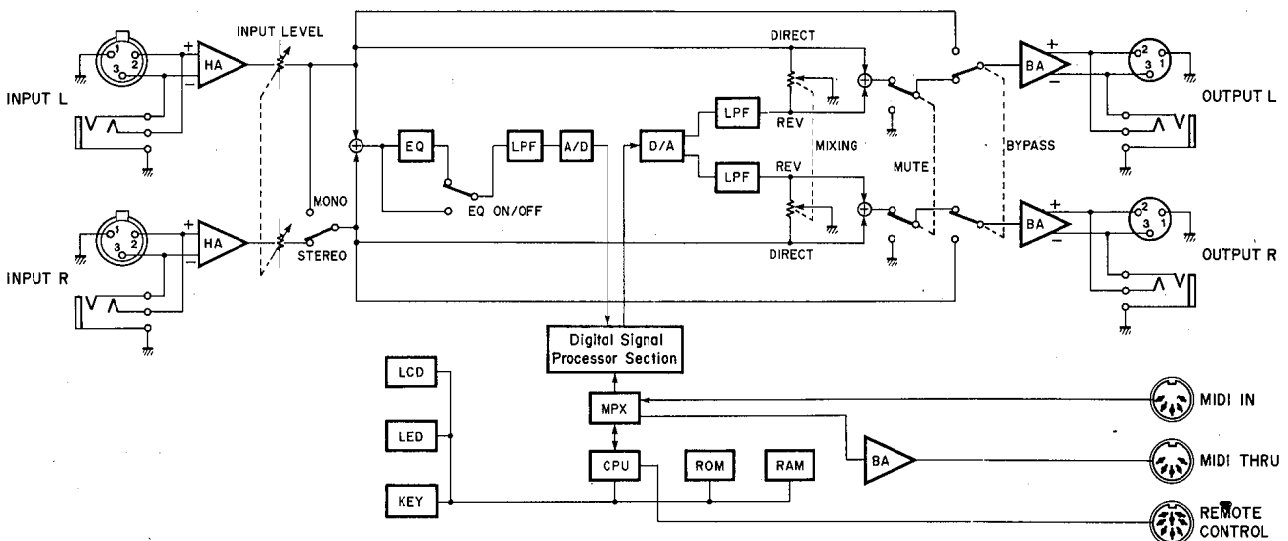
The data provided is believed to be accurate and applicable to the unit(s) indicated on the cover. The research, engineering, and service departments of Yamaha are continually striving to improve Yamaha products. Modifications are, therefore, inevitable and changes in specification are subject to change without notice or obligation to retrofit. Should any discrepancy appear to exist, please contact the distributor's Service Division.

WARNING: Static discharges can destroy expensive components. Discharge any static electricity your body may have accumulated by grounding yourself to the ground buss in the unit (heavy gauge black wires connect to this buss).

IMPORTANT: Turn the unit OFF during disassembly and parts replacement. Recheck all work before you apply power to the unit.

REV7

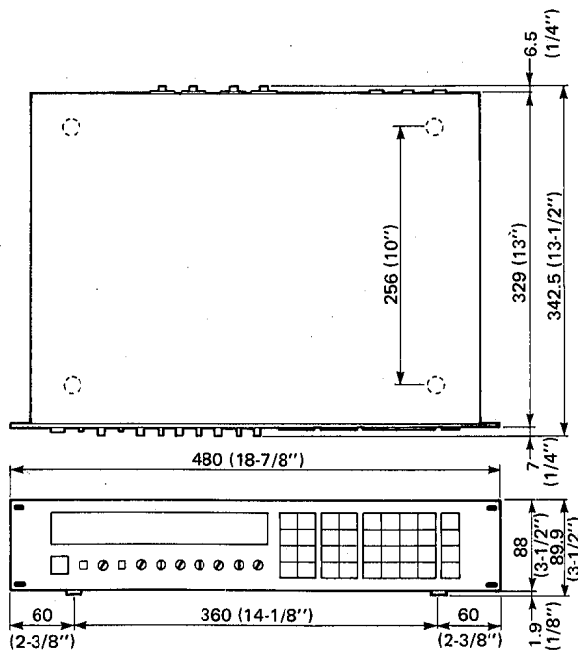
■ BLOCK DIAGRAM



SPECIFICATIONS

INPUTS		MEMORY	
Number of Channels	Electronically Balanced x 2 (Phone Jack) Electronically Balanced x 2 (XLR type)	Presets (ROM)	1 ~ 30
Nominal Level	+4dB	User Memory (RAM)	31 ~ 90 (Non Volatile)
Impedance	10Kohms	All parameters except Input Level and parametric EQ, can be memorized	
Level Control	Volume, Gain +10 dB — -90dB		
Mono/Stereo SW.	Mono — Ch.L + R Activated. Stereo — Ch.L & R Activated.		
Mixing	In Stereo mode, Ch. L & R are mixed and sent to A/D converter.	MIDI CONTROL MIDI Channel, Program Number	
Parametric EQ	Low: 50 ~ 700Hz ±15dB, Mid: 350 ~ 7kHz ±15, High: 2k ~ 20kHz ±15dB		
Level Monitor	8 points LED (pre — A/D)	FRONT PANEL	
A/D CONVERSION		Display	
Sampling Freq.	31.25kHz	16 character 2 lines LCD x 1	
Quantization	Linear 16 Bit	2 digits numeric LED for Memory No.	
Band Width	20Hz to 12kHz	8 points level meter LED	
Number of Channels	1	Input Level Volume	
		Parametric EQ (Low, Mid, High)	
		Function Keys	
		Numeric and +/- Keys	
		Direct and BYPASS ON/OFF Keys	
		MUTE, MIDI	
SIGNAL PROCESSING		ELECTRICAL CHARACTERISTICS	
Functions		Dynamic Range	Reverb : more than 78dB
Factory Presets (30)	Reverb-1 — LARGE HALL Reverb-2 — SMALL HALL Reverb-3 — VOCAL PLATE Reverb-4 — PERCUSSION PLATE E/R - 1 — EARLY REFLECTION-1 E/R - 2 — EARLY REFLECTION-2 OTHERS — DELAY (Number 7) to LIVE REFERENCE (Number 30)	Distortion	Delay : more than 84dB
Reverb Time (RT)	0.3 to 10.0 sec, on Mid. band	Band Width	Direct Signal 0.03%
Initial Delay	0.1 to 100.0 msec.	Residual Noise Level	Reverb Signal 0.1%
1st Reflection	Delay Time (0 to 100.0 msec) & Level (0 ~ 100%)	Direct Signal 20 to 20kHz	
High Freq. RT (F1)	Mid. RT x (0.1 ~ 1.0)	Reverb Signal 20 to 12kHz	
Low Freq. RT (F2)	Mid. RT x (0.1 ~ 2.4)	Reverb mode : less than -60dB	
Diffusion	Diffusion (10 steps)	Delay mode : less than -66dB	
D/A CONVERSION		DIMENSIONS	
Number of Channels	2	(W x H x D)	480 x 89.9 x 342.5mm (18-7/8" x 3-1/2" x 13-1/2")
Sampling Freq.	31.25 kHz	WEIGHT 5.3 kg (11.7 lbs)	
Quantization	Linear 16 Bit	POWER REQUIREMENTS U.S./Canadian Model 110V — 120V, 50/60Hz General Model 220V — 240V, 50/60Hz	
Band Width	20 Hz to 12 kHz	POWER CONSUMPTION 25W	
OUTPUTS		REMOTE CONTROL	
Number of Channels	Electronically Balanced x 2 (Phone Jack) Electronically Balanced x 2 (XLR type)	REV 1	E/R 1
Nominal Level	+4dB	REV 2	E/R 2
Impedance	600ohms	REV 3	OTHERS
Maximum Level	+18dB	REV 4	USER MEMORY
Mixing	Direct Signal, Reverb Signal		
Bypass	ON/OFF		
Out phase	Ch. R (Reverb Signal) can be alternated		
Mute	ON/OFF		

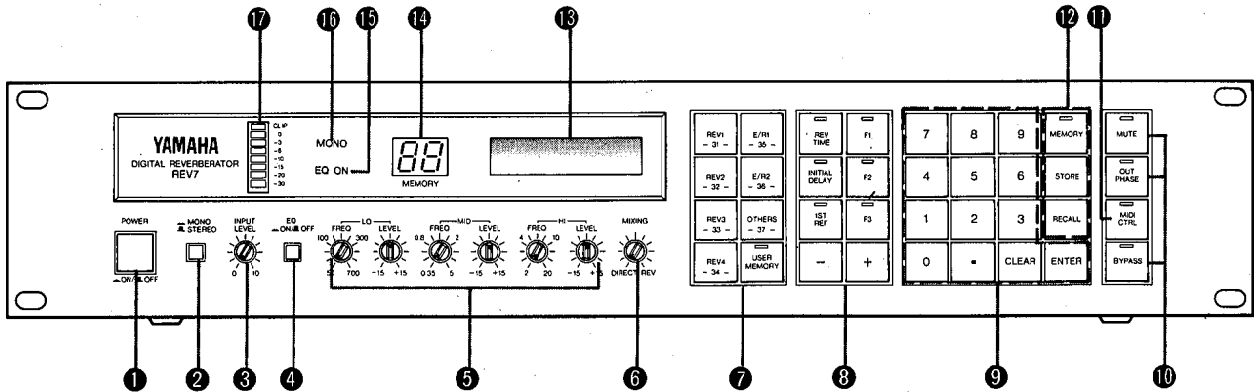
DIMENSIONS



Unit: mm (Inch)

■ PANEL LAYOUT

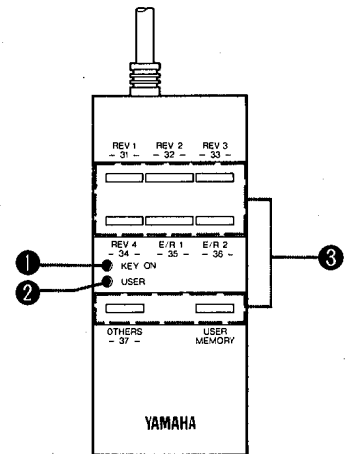
● FRONT PANEL



- ① POWER ON/OFF switch
- ② MONO/STEREO switch
- ③ INPUT LEVEL control
- ④ EQ ON/OFF switch
- ⑤ EQUALIZER section
- ⑥ MIXING control
- ⑦ DIRECT RECALL keys
- ⑧ PARAMETER SELECT and +/- keys
- ⑨ NUMERIC/EDITING keys

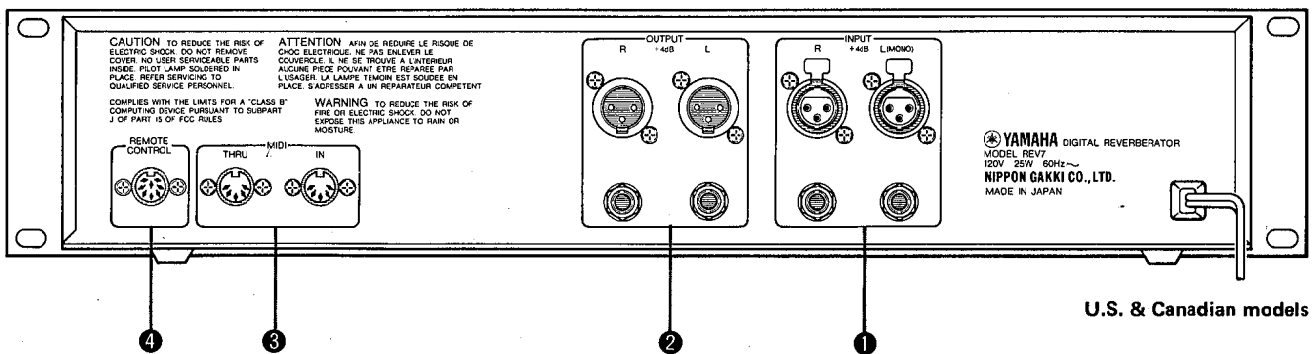
- ⑩ OUTPUT CONTROL keys
- ⑪ MIDI CTRL key
- ⑫ MEMORY keys
- ⑬ LCD
- ⑭ MEMORY NUMBER LED
- ⑮ EQ ON LED
- ⑯ MONO LED
- ⑰ INPUT LEVEL LED

● REMOTE CONTROL UNIT



- ① KEY ON LED
- ② USER LED
- ③ DIRECT RECALL keys

● REAR PANEL

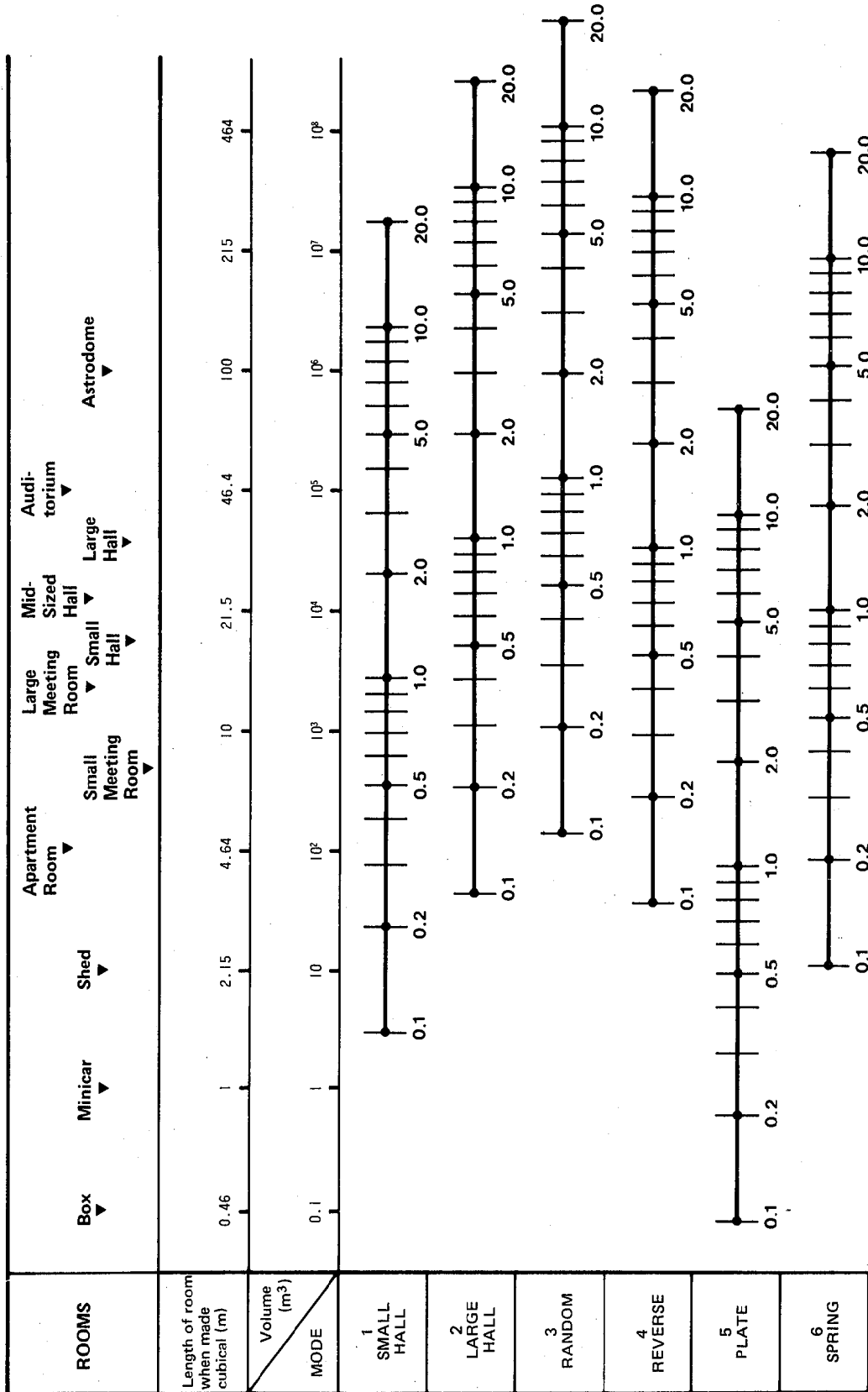


U.S. & Canadian models

- ① INPUT connectors
- ② OUTPUT connectors
- ③ MIDI IN, MIDI THRU connectors
- ④ REMOTE CONTROL connector

ROOM SIZE CHART

This chart shows the relationship between the Room Size parameter for each mode selected with E/R type programs, and the size of actual rooms.



MEMORY (ROM) CONTENTS AND CONTROLLABLE PARAMETERS

This chart lists all the programmable parameters of the REV7's 30 presets. It includes the complete value ranges of each parameter, for quick reference when editing. The EXPLANATION OF PARAMETERS chapter should be studied, for a full understanding of this chart.

NOTE PARAMETER RANGE PRESET VALUE

MEM No.	PROGRAM NAME	TYPE	CONTROLLABLE PARAMETERS & PRESET VALUE						
			REV TIME	INITIAL DELAY	1ST REF		F1	F2	F3
1	LARGE HALL	REV	REV TIME 0.3 - 10.0s 2.6s	INITIAL DELAY 0.1 - 100.0ms 30.0ms	1ST DELAY 0.1 - 100.0ms 10.0ms	1ST LEVEL 0 - 100% 0%	HIGH x0.1 - x 1.0 x 0.3	LOW x0.1 - x 2.4 x 1.2	DIFFUSION 0 - 10 5
2	SMALL HALL	REV	REV TIME 0.3 - 10.0s 2.0s	INITIAL DELAY 0.1 - 100.0ms 20.0ms	1ST DELAY 0.1 - 100.0ms 10.0ms	1ST LEVEL 0 - 100% 0%	HIGH x0.1 - x 1.0 x 0.4	LOW x0.1 - x 2.4 x 1.0	DIFFUSION 0 - 10 5
3	VOCAL PLATE	REV	REV TIME 0.3 - 10.0s 2.4s	INITIAL DELAY 0.1 - 100.0ms 45.0ms	1ST DELAY 0.1 - 100.0ms 10.0ms	1ST LEVEL 0 - 100% 0%	HIGH x0.1 - x 1.0 x 0.3	LOW x0.1 - x 2.4 x 1.0	DIFFUSION 0 - 10 5
4	PERCUSSION PLATE	REV	REV TIME 0.3 - 10.0s 2.0s	INITIAL DELAY 0.1 - 100.0ms 10.0ms	1ST DELAY 0.1 - 100.0ms 10.0ms	1ST LEVEL 0 - 100% 0%	HIGH x0.1 - x 1.0 x 0.5	LOW x0.1 - x 2.4 x 1.2	DIFFUSION 0 - 10 5
5	EARLY REFLECTION 1	E/R 1	LIVENESS 0 - 10 5	INITIAL DELAY 0.1 - 100.0ms 10.0ms	1ST DELAY 0.1 - 100.0ms 0.1ms	1ST LEVEL 0 - 100% 0%	MODE 1 - 6 1	ROOM SIZE x0.1 - x20.0 x 2.0	DIFFUSION 0 - 10 5
6	EARLY REFLECTION 2	E/R 2	LIVENESS 0 - 10 5	INITIAL DELAY 0.1 - 100.0ms 10.0ms	1ST DELAY 0.1 - 100.0ms 0.1ms	1ST LEVEL 0 - 100% 0%	MODE 1 - 6 1	ROOM SIZE x0.1 - x20.0 x 2.0	DIFFUSION 0 - 10 5
7	DELAY L, R	DELAY	/	INITIAL DELAY 0.1 - 100.0ms 0.1ms	1ST DELAY 0.1 - 100.0ms 0.1ms	1ST LEVEL 0 - 100% 0%	Lch DELAY 0.1 - 900.0ms 100.0ms	Rch DELAY 0.1 - 900.0ms 200.0ms	LEVEL 0 - 100% 100%
8	STEREO ECHO	ECHO	F.B. GAIN 0 - 99% 60%	INITIAL DELAY 0.1 - 100.0ms 0.1ms	1ST DELAY 0.1 - 100.0ms 0.1ms	1ST LEVEL 0 - 100% 0%	Lch DELAY 0.1 - 450.0ms 170.0ms	Rch DELAY 0.1 - 450.0ms 178.0ms	HIGH x0 - x10 x 9
9	STEREO FLANGE	MOD.	F.B. GAIN 0 - 99% 35%	INITIAL DELAY 0.1 - 100.0ms 0.1ms	1ST DELAY 0.1 - 100.0ms 0.1ms	1ST LEVEL 0 - 100% 0%	MOD FREQ. 0 - 100% 2.5Hz	MOD DEPTH 0 - 100% 50%	DELAY TIME 0 - 100.0ms 1.2ms
10	REVERB FLANGE	MOD.	REV TIME 0.3 - 10.0s 2.5s	INITIAL DELAY 0.1 - 100.0ms 0.1ms	1ST DELAY 0.1 - 100.0ms 0.1ms	1ST LEVEL 0 - 100% 0%	MOD FREQ. 0.1 - 20.0Hz 1.1Hz	MOD DEPTH 0 - 100% 80%	DELAY TIME 0.1 - 30.0ms 1.2ms
11	CHORUS A	MOD.	/	INITIAL DELAY 0.1 - 100.0ms 0.1ms	1ST DELAY 0.1 - 100.0ms 0.1ms	1ST LEVEL 0 - 100% 0%	MOD FREQ. 0.1 - 20.0Hz 0.2Hz	DM DEPTH 0 - 100% 50%	AM DEPTH 0 - 100% 40%
12	CHORUS B	MOD.	/	INITIAL DELAY 0.1 - 100.0ms 0.1ms	1ST DELAY 0.1 - 100.0ms 0.1ms	1ST LEVEL 0 - 100% 0%	MOD FREQ. 0.1 - 20.0Hz 0.6Hz	DM DEPTH 0 - 100% 50%	AM DEPTH 0 - 100% 10%
13	STEREO PHASING	MOD.	/	INITIAL DELAY 0.1 - 100.0ms 0.1ms	1ST DELAY 0.1 - 100.0ms 0.1ms	1ST LEVEL 0 - 100% 0%	MOD FREQ. 0.1 - 20.0Hz 1.1Hz	MOD DEPTH 0 - 100% 100%	DELAY TIME 0.1 - 8.0ms 3.0ms
14	TREMOLO	MOD.	/	INITIAL DELAY 0.1 - 100.0ms 0.1ms	1ST DELAY 0.1 - 100.0ms 0.1ms	1ST LEVEL 0 - 100% 0%	MOD FREQ. 0.1 - 20.0Hz 6.0Hz	MOD DEPTH 0 - 100% 50%	/
15	SYMPHONIC	MOD.	/	INITIAL DELAY 0.1 - 100.0ms 0.1ms	1ST DELAY 0.1 - 100.0ms 0.1ms	1ST LEVEL 0 - 100% 0%	MOD FREQ. 0.1 - 20.0Hz 0.7Hz	MOD DEPTH 0 - 100% 50%	/
16	SPRING	REV	REV TIME 0.3 - 10.0s 2.6s	INITIAL DELAY 0.1 - 100.0ms 25.0ms	1ST DELAY 0.1 - 100.0ms 0.1ms	1ST LEVEL 0 - 100% 0%	HIGH x0.1 - x1.0 x 0.2	LOW x0.1 - x 2.4 x 1.2	DIFFUSION 0 - 10 5
17	ECHO ROOM	REV	REV TIME 0.3 - 10.0s 3.2s	INITIAL DELAY 0.1 - 100.0ms 16.0ms	1ST DELAY 0.1 - 100.0ms 0.1ms	1ST LEVEL 0 - 100% 0%	HIGH x0.1 - x1.0 x 0.3	LOW x0.1 - x2.4 x 1.2	DIFFUSION 0 - 10 5
18	STRINGS	REV	REV TIME 0.3 - 10.0s 3.0s	INITIAL DELAY 0.1 - 100.0ms 13.0ms	1ST DELAY 0.1 - 100.0ms 0.1ms	1ST LEVEL 0 - 100% 0%	HIGH x0.1 - x 1.0 x 0.3	LOW x0.1 - x 2.4 x 1.0	DIFFUSION 0 - 10 5
19	ELECTRIC BASS A	E/R 1	LIVENESS 0 - 10 1	INITIAL DELAY 0.1 - 100.0ms 12.0ms	1ST DELAY 0.1 - 100.0ms 0.1ms	1ST LEVEL 0 - 100% 65%	MODE 1 - 6 5	ROOM SIZE x0.1 - x20.0 x 0.3	DIFFUSION 0 - 10 5
20	ELECTRIC BASS B	E/R 2	LIVENESS 0 - 10 3	INITIAL DELAY 0.1 - 100.0ms 12.0ms	1ST DELAY 0.1 - 100.0ms 0.1ms	1ST LEVEL 0 - 100% 68%	MODE 1 - 6 5	ROOM SIZE x0.1 - x20.0 x 0.4	DIFFUSION 0 - 10 7
21	KICK	E/R 1	LIVENESS 0 - 10 1	INITIAL DELAY 0.1 - 100.0ms 12.0ms	1ST DELAY 0.1 - 100.0ms 0.1ms	1ST LEVEL 0 - 100% 87%	MODE 1 - 6 5	ROOM SIZE x0.1 - x20.0 x 0.3	DIFFUSION 0 - 10 7
22	SNARE	REV	REV TIME 0.3 - 10.0s 1.2	INITIAL DELAY 0.1 - 100.0ms 10.0ms	1ST DELAY 0.1 - 100.0ms 0.1ms	1ST LEVEL 0 - 100% 0%	HIGH x0.1 - x1.0 x 0.8	LOW x0.1 - x2.4 x 0.8	DIFFUSION 0 - 10 5
23	GATE REVERB	E/R 2	LIVENESS 0 - 10 5	INITIAL DELAY 0.1 - 100.0ms 20.0ms	1ST DELAY 0.1 - 100.0ms 0.1ms	1ST LEVEL 0 - 100% 0%	MODE 1 - 6 3	ROOM SIZE x0.1 - x20.0 x 1.6	DIFFUSION 0 - 10 5
24	REVERSE GATE	E/R 2	LIVENESS 0 - 10 5	INITIAL DELAY 0.1 - 100.0ms 25.0ms	1ST DELAY 0.1 - 100.0ms 0.1ms	1ST LEVEL 0 - 100% 0%	MODE 1 - 6 4	ROOM SIZE x0.1 - x20.0 x 2.4	DIFFUSION 0 - 10 5
25	PIANO	E/R 2	LIVENESS 0 - 10 3	INITIAL DELAY 0.1 - 100.0ms 12.0ms	1ST DELAY 0.1 - 100.0ms 0.1ms	1ST LEVEL 0 - 100% 72%	MODE 1 - 6 6	ROOM SIZE x0.1 - x20.0 x 1.0	DIFFUSION 0 - 10 6
26	ORGAN	E/R 1	LIVENESS 0 - 10 4	INITIAL DELAY 0.1 - 100.0ms 10.0ms	1ST DELAY 0.1 - 100.0ms 0.1ms	1ST LEVEL 0 - 100% 61%	MODE 1 - 6 1	ROOM SIZE x0.1 - 20.0 x 3.5	DIFFUSION 0 - 10 7
27	BRASS	E/R 1	LIVENESS 0 - 10 4	INITIAL DELAY 0.1 - 100.0ms 12.0ms	1ST DELAY 0.1 - 100.0ms 0.1ms	1ST LEVEL 0 - 100% 61%	MODE 1 - 6 3	ROOM SIZE x0.1 - x20.0 x 0.9	DIFFUSION 0 - 10 5
28	GUITAR	E/R 2	LIVENESS 0 - 10 5	INITIAL DELAY 0.1 - 100.0ms 5.0ms	1ST DELAY 0.1 - 100.0ms 0.1ms	1ST LEVEL 0 - 100% 69%	MODE 1 - 6 6	ROOM SIZE x0.1 - 20.0 x 1.5	DIFFUSION 0 - 10 5
29	HANDCLAPS	REV	REV TIME 0.3 - 10.0s 0.4s	INITIAL DELAY 0.1 - 100.0ms 0.1ms	1ST DELAY 0.1 - 100.0ms 0.1ms	1ST LEVEL 0 - 100% 0%	HIGH x0.1 - x1.0 x 0.1	LOW x0.1 - x2.4 x 2.0	DIFFUSION 0 - 10 5
30	LIVE REFERENCE	E/R 2	LIVENESS 0 - 10 5	INITIAL DELAY 0.1 - 100.0ms 20.0ms	1ST DELAY 0.1 - 100.0ms 0.1ms	1ST LEVEL 0 - 100% 0%	MODE 1 - 6 2	ROOM SIZE x0.1 - x20.0 x 2.5	DIFFUSION 0 - 10 5

The following abbreviations are used: REV TIME = REVERB TIME; HIGH = HIGH FREQUENCY REVERB TIME; LOW = LOW FREQUENCY REVERB TIME; Lch DELAY = LEFT CHANNEL DELAY TIME; Rch DELAY = RIGHT CHANNEL DELAY TIME; LEVEL = DELAY LEVEL; F.B. GAIN = FEEDBACK GAIN; HIGH = HIGH DUMP; MOD FREQ. = MODULATION FREQUENCY; MOD DEPTH = MODULATION DEPTH.

REV7

■ GENERAL INFORMATION

● EXPLANATION OF PARAMETERS

The preset programs in the REV7 fall into the following types: REV (Reverb), E/R (Early Reflection), Delay, Echo, and MOD (Modulation Type, including Phase, Chorus, and Flange type effects). Each of these program types has a specific selection of programmable parameters.

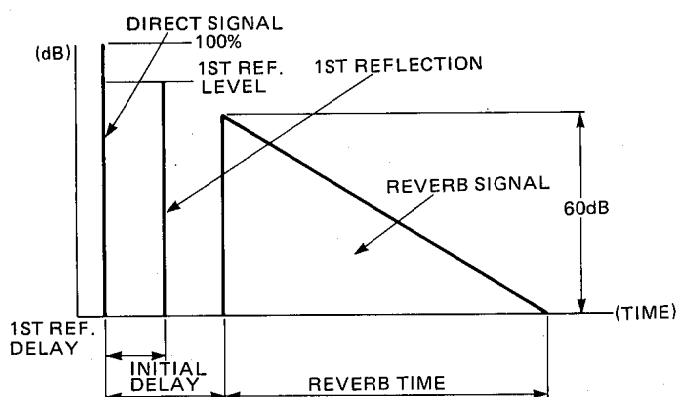
"Parameters" indicates the separate, individual functions that make up each effect. There are two types of parameters in the REV7: "invisible" parameters (non-programmable, fixed value parameters) and programmable parameters (the ones that you can edit, or modify). You can set the parameters of two different presets to the same values, and the resulting effect may not be the same, due to the non-programmable parameters.

Each preset has up to 7 programmable parameters. They are listed, with their preset values, in the MEMORY (ROM) CONTENTS CHART at the end of this manual. In this section we'll explain these parameters and list their individual value ranges. The front panel key which calls up each parameter will also be noted. These include R/T (Reverb Time—may be used for other parameters), INITIAL DELAY, 1ST REF (First Reflection: a double-action key for setting level and delay of first reflection), and Function Keys F1, F2, F3 (for a variety of functions, depending on preset selected).

All presets include the 1st Reflection feature, explained below. The level of the 1st Reflection is usually preset at zero, so that you can program in just the amount of 1st Reflection that you need.

REV TYPE

Reverberation effects. Presets 1 through 4, 16 through 18, 22, and 29.



- 1. REVERBERATION TIME (R/T).** Range: 0.3 ~ 10.0 sec. Key: REV TIME.

The length of the time it takes for the level of reverberation at 1 kHz to decrease by 60 dB—virtually to silence. In a live setting, this depends on several factors: room size, room shape, type of reflective surfaces, among others.

- 2. INITIAL DELAY.** Range: 0.1 ~ 100 msec. Key: INITIAL DELAY.

For a listener in a concert hall, there is a time delay between the direct sound of the instrument, and the first of the many reflected sounds that together are known as reverberation. On the REV7, this is known as the INITIAL DELAY time.

- 3. 1ST REFLECTION Delay.** Range: 0.1 ~ 100 msec.

- 4. 1ST REFLECTION Level.** Range: 0 ~ 100% of direct signal level. Key: 1ST REF.

A common phenomenon in a concert hall is a single reflection immediately after the direct sound. The 1ST REFLECTION feature enables you to accurately simulate this effect. Both the delay and the level of the reflection are adjustable. This is also useful for A.D.T. (Auto-

matic Double Tracking) effects, or for "thickening" the sound of an instrument. The 1st Reflection is always a mono signal, and appears in the center of the stereo image. With all presets, the 1ST REF parameters are preset at the minimum (0% level, 0.1 msec delay time) so that you can program in exactly the amount of 1st Reflection you need.

NOTE: The 1ST REF key is a double action key. Each time you press this key, it alternates between "1ST DLY" and "1ST LEVEL" (as displayed on the LCD), allowing you to set the values of the delay and level of the first reflection.

- 5. HI REVERB TIME.** Range: 0.1 ~ 1.0 x MID R/T. Key: F1.

- 6. LOW REVERB TIME.** Range: 0.1 ~ 2.4 x MID R/T. Key: F2.

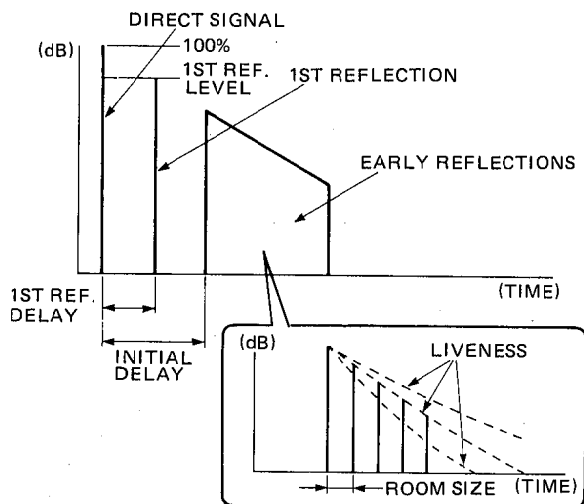
Natural reverberation varies according to the frequency of the sound—the higher the frequency, the more the sound tends to be absorbed by walls, furnishings, and even by air. These two parameters permit you to alter the reverberation times of the high frequency and low frequency portions of the signal, as a proportion of the mid frequency reverb time.

- 7. DIFFUSION.** Range: 0 ~ 10. Key: F3.

Reverberation is caused by multiple reflections that increase rapidly in complexity, according to the shape of the hall and any furniture or fittings therein. This rate of increase is known as DIFFUSION on the REV7. Setting the Diffusion parameter at 0 gives a less complex, clearer reverb effect, as in a regularly shaped room with simple, flat reflective surfaces. As you increase the setting, the sound becomes fuller, richer, and more expansive, giving the impression of a room that is not necessarily bigger, but has an irregular shape and contains many corners and fittings to multiply reflections, as in a theater with proscenium, seats, orchestra pit, balconies, etc.

E / R1 AND E / R2 TYPE

"Early Reflection" effects. Presets 5, 6, 19 through 21, 23 through 28, and 30.



1. INITIAL DELAY. Range: 0.1 ~ 100 msec. Key: INITIAL DELAY.

The time delay between the direct sound of the instrument, and the first of the early reflections.

2. 1ST REFLECTION DELAY. Range: 0.1 ~ 100 msec. Key: 1ST REF.

3. 1ST REFLECTION LEVEL. Range: 0 ~ 100% of direct signal level. Key: 1ST REF.

Same as for REV type presets.

4. LIVENESS. Range: 0 ~ 10. Key: REV TIME.

Refers to the rate at which the reflected sounds fade. Set this parameter at zero to simulate an acoustically "dead" room, with absorbent surfaces to "soak up" the reflected sounds. As you increase the setting, the room appears to contain more "live" surfaces, with the reflected sounds fading more slowly, as they reflect from wall to wall, until at the maximum setting the effect is of an intensely reflective environment, containing many highly polished surfaces (tiles, glass, etc).

5. ROOM SIZE. Range: 0.1 ~ 10 x preset setting. Key: F2.

In the REV7, the ROOM SIZE parameter indicates the time gaps between the early reflections—directly proportional to the size of the room. The effect of this parameter also depends on which early reflection Mode has been selected. A Room Size Chart can be found later in this manual.

6. DIFFUSION. Range: 0 ~ 10. Key: F3.
Same as for REV type presets.

7. MODE. Range: 1 ~ 6. Key: F1.

This is a rather special case. All "Early Reflection" presets are switchable between 6 different Mode types. These are 1: SMALL HALL (a typical grouping of early reflections that would occur in a small performing environment), 2: LARGE HALL (a typical grouping of early reflections that would occur in a large performing environment), 3: RANDOM (an irregular series of reflections that could not occur naturally), 4: REVERSE (a series of reflections that increase in level, like the effect produced by playing a recorded echo backwards), 5: PLATE (a typical grouping of early reflections that would occur in a plate echo unit) and 6: SPRING (a typical grouping of early reflections that would occur in a spring reverberation unit). A slightly different early reflection for the left and right outputs creates a natural stereo effect.

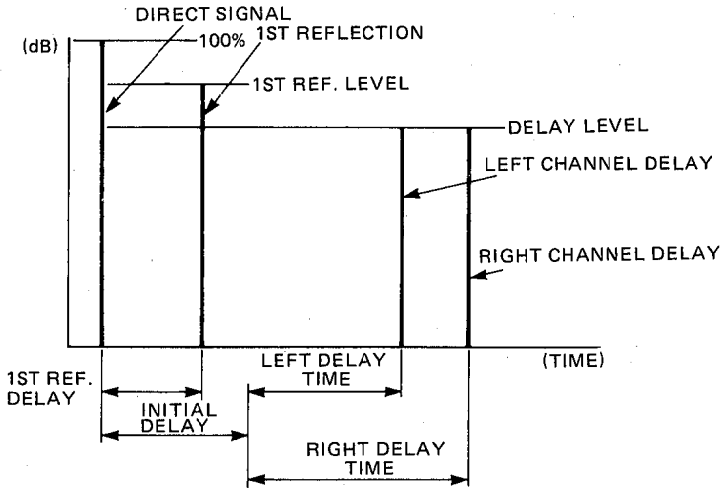
Although the name of each mode suggests a typical environment or effect, note that only the first group of reflections are generated, and they are not multiplied to produce the sound you might expect. Also, each of the E/R type presets has "invisible" parameters that further affect the sound, so the best course is to actually listen to the presets and their different modes, to get the full effect of each mode and appreciate the enormous creativity they provide.

An Early Reflection Mode Chart can be found later in this manual.

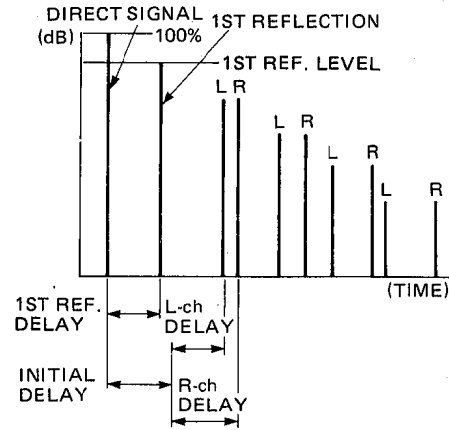
The REV7 produces 18 early reflections for each channel. It is possible to add a 1st reflection to these early reflections, in the center of the stereo image.

*For the REVERB type effects, 3 early reflections are programmed for each channel.

DELAY TYPE



ECHO TYPE



1. INITIAL DELAY. Range: 0.1 ~ 100 msec. Key: INITIAL DELAY.

Allows you to program in an additional delay time which equally affects both output channels. This brings the total possible delay time up to 1 full second.

2. 1ST REFLECTION DELAY. Range: 0.1 ~ 100 msec. Key: 1ST REF.

3. 1ST REFLECTION LEVEL. Range: 0 ~ 100% of direct signal level. Key: 1ST REF.

Same as for REV type presets.

4. LEFT CHANNEL DELAY TIME. Range: 0.1 ~ 900 msec. Key: F1.

5. RIGHT CHANNEL DELAY TIME. Range: 0.1 ~ 900 msec. Key: F2.

Permits highly accurate independent setting of the left and right delays. Note that the Initial Delay time is added onto these delay times.

6. DELAY LEVEL. Range: 0 ~ 100% of direct signal level. Key: F3.

Permits simultaneous setting of left and right delay level, as a proportion of direct signal level.

1. INITIAL DELAY. Range: 0.1 ~ 100 msec. Key: INITIAL DELAY.

Allows you to program in an additional delay time which equally affects both output channels. The first echo will not appear until this delay time and the echo delay time have elapsed.

2. 1ST REFLECTION DELAY. Range: 0.1 ~ 100 msec. Key: 1ST REF.

3. 1ST REFLECTION LEVEL. Range: 0 ~ 100% of direct signal level. Key: 1ST REF.

Same as for REV type presets.

4. LEFT CHANNEL DELAY TIME. Range: 0.1 ~ 450 msec. Key: F1.

5. RIGHT CHANNEL DELAY TIME. Range: 0.1 ~ 450 msec. Key: F2.

Permits highly accurate independent setting of the left and right delays. After this delay time has elapsed (plus the Initial Delay time) the first echo will appear. Subsequent echoes will appear at the same time interval, the number of echoes depending on how the Feedback Gain parameter is set.

6. FEEDBACK GAIN. Range: 0 ~ 99%. Key: REV TIME.

This parameter permits adjustment of the number of echoes that follow the direct signal, from zero to a virtually infinite repeat at the maximum setting. The overall decay time of the effect is proportional to the Feedback Gain setting.

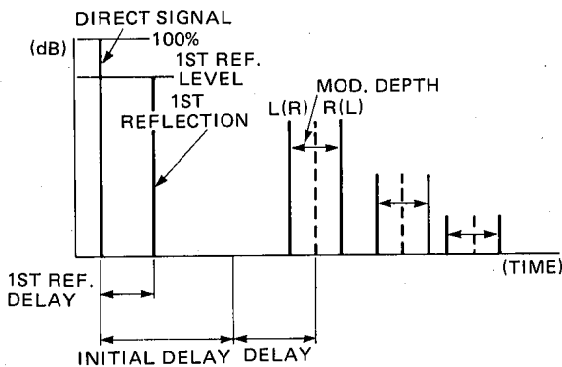
7. HIGH DAMP. Range: 0 ~ 10. Key: F3.

This effect is produced by inserting a low-pass filter in the REV7 feedback loop. This causes a gradual suppression of the high frequency content at each echo. Effectively, this means that the high frequency reverb time becomes shorter in relation to the midrange reverb time. A bright, unfiltered direct signal blended with a more muted echo can often create an authentic and pleasing acoustic effect.

MOD TYPE

"Modulation" effects. Presets 9 through 15. We'll explain the programmable parameters for each preset of this type.

• STEREO FLANGE

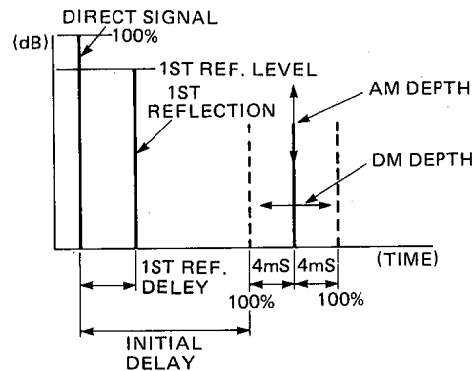


1. **INITIAL DELAY.** Range: 0.1 ~ 100 msec. Key: INITIAL DELAY.
Allows you to program in an additional delay time. The flanged signal will not appear until this delay time has elapsed.
2. **1ST REFLECTION DELAY.** Range: 0.1 ~ 100 msec. Key: 1ST REF.
3. **1ST REFLECTION LEVEL.** Range: 0 ~ 100% of direct signal level. Key: 1ST REF.
Same as for REV type presets.
4. **DELAY.** Range: 0.1 ~ 100 msec. Key: F3.
This sets the basic delay time of the flange effect. This delay time is then modulated periodically by the LFO (a Low Frequency Oscillator, with adjustable frequency, built in to the REV7 specifically for varying delay times periodically in order to produce a variety of modulation effects). This also sets the delay time between each repeat.
5. **MODULATION DEPTH.** Range: 0 ~ 100%. Key: F2.
This sets the amount by which the LFO varies the delay time. At the maximum setting, the delay time is varied by ± 4 msec.
6. **MODULATION FREQUENCY.** Range: 0.1 ~ 20 Hz. Key: F1.
Sets the speed of the LFO, and hence the rate at which the delay time is modulated.
7. **FEEDBACK GAIN.** Range: 0 ~ 99%. Key: REV TIME.
Sets the amount of flange signal which is fed back into the circuit for further modulation. This controls the complexity of the effect, the number of repeats, and its overall decay time.

• REVERB FLANGE

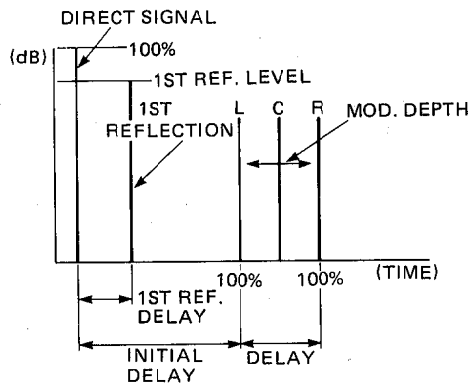
Identical to the STEREO FLANGE Preset, except for the FEEDBACK GAIN parameter, which is replaced by a REVERB TIME parameter, range 0.3 ~ 10 secs, called by pressing the REV TIME key. The feedback gain of this preset is fixed at 30%.

• CHORUS A AND CHORUS B



1. **INITIAL DELAY.** Range: 0.1 ~ 100 msec. Key: INITIAL DELAY.
Allows you to program in an additional delay time. The chorus signal will not appear until this delay time has elapsed.
2. **1ST REFLECTION DELAY.** Range: 0.1 ~ 100 msec. Key: 1ST REF.
3. **1ST REFLECTION LEVEL.** Range: 0 ~ 100% of direct signal level. Key: 1ST REF.
Same as for REV type presets.
4. **AMPLITUDE MODULATION DEPTH.** Range: 0 ~ 100%. Key: F3.
This sets the amount by which the LFO varies the amplitude (level) of the input signal.
5. **DELAY MODULATION DEPTH.** Range: 0 ~ 100%. Key: F2.
This sets the amount by which the LFO varies the delay time. At the maximum setting, the delay time is varied by ± 4 msec.
6. **MODULATION FREQUENCY.** Range: 0.1 ~ 20 Hz. Key: F1.
Sets the speed of the LFO, and hence the rate at which the delay time and amplitude are modulated.

• STEREO PHASING



1. INITIAL DELAY. Range: 0.1 ~ 100 msec. Key: INITIAL DELAY.

Allows you to program in an additional delay time. The phased signal will not appear until this delay time has elapsed.

2. 1ST REFLECTION DELAY. Range: 0.1 ~ 100 msec. Key: 1ST REF.

3. 1ST REFLECTION LEVEL. Range: 0 ~ 100% of direct signal level. Key: 1ST REF.

Same as for REV type presets.

4. DELAY. Range: 0.1 ~ 8 msec. Key: F3.

This sets the basic delay time of the phasing effect. The delay time of the left and right channels remains fixed at this setting, while the center signal's delay time is modulated periodically by the LFO.

5. MODULATION DEPTH. Range: 0 ~ 100%. Key: F2.

This sets the amount by which the LFO varies the delay time of the center signal. At the maximum setting, the delay time is varied by ± 4 msec.

6. MODULATION FREQUENCY. Range: 0.1 ~ 20 Hz. Key: F1.

Sets the speed of the LFO, and hence the rate at which the center signal's delay time is modulated.

• TREMOLO

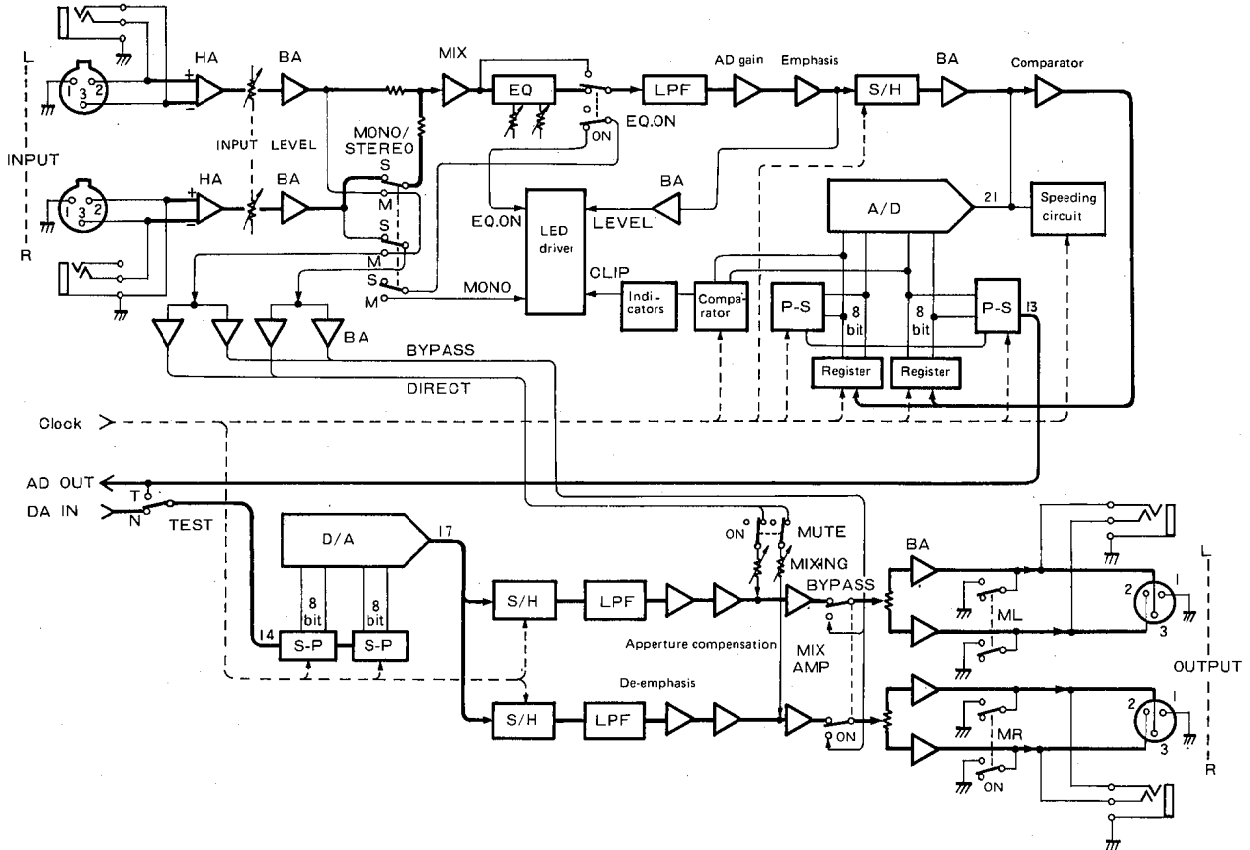
The programmable parameters for this preset are identical to those for the Stereo Flange preset, omitting FEEDBACK GAIN and DELAY.

• SYMPHONIC

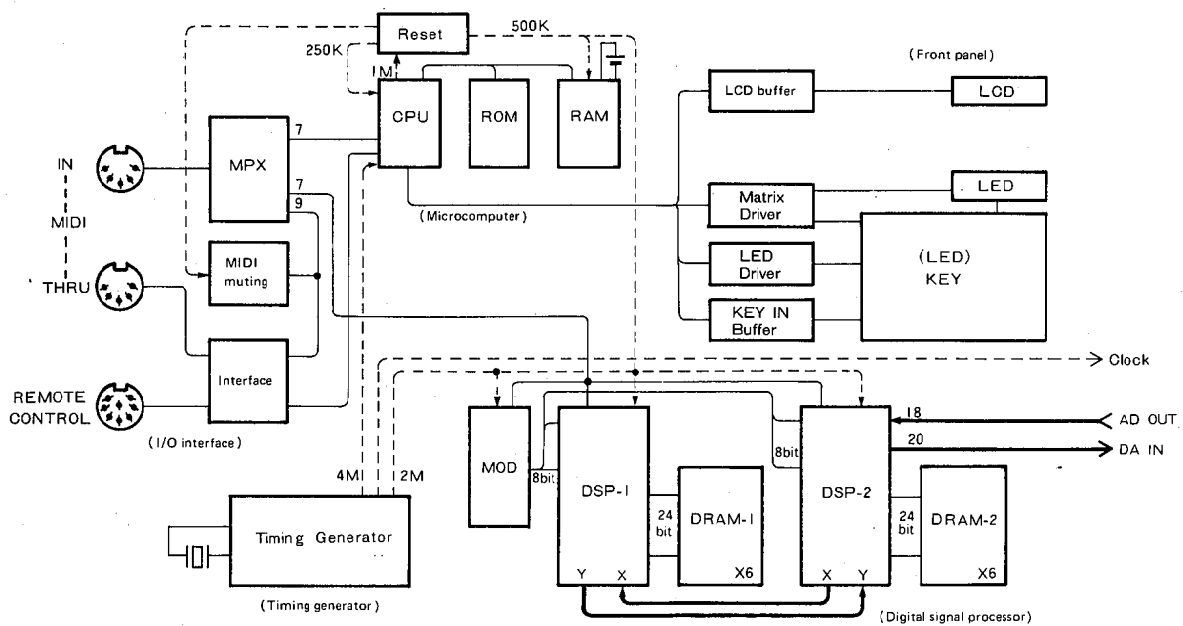
The programmable parameters for this preset are identical to those for the Stereo Flange preset, omitting FEEDBACK GAIN and DELAY.

FUNCTIONAL BLOCK DIAGRAM AND SIGNAL FLOW

ANALOG SECTION



DIGITAL SECTION



REV7

CIRCUIT DESCRIPTION

The REV7 provides a wide variety of high-quality reverberation effects by incorporating a new digital signal processor in its digital section, as well as the evolutionary versions of the many proven circuits used in our REV1, YDD2600, D1500, and R1000 reverberators/delay lines. The REV7's hardware is roughly divided into the analog and digital sections, as illustrated in the signal flow chart. The following describes each block function:

1. Analog Section — No. 1 (INPUT to AD OUT)

1-1 INPUT

The INPUT block has two input jacks (L and R) using three-pin XLR connectors or 1/4" TRS jacks. In the Stereo mode it provides two input and two output channels. When the MONO mode is selected with the MONO/STEREO switch, it accepts only the left channel signal and feeds it to both output channels (one IN, two OUTs).

1-2 HA (HEAD AMPLIFIERS)

The head amplifiers are used to switch between balanced and unbalanced signal sources.

1-3 INPUT LEVEL CONTROL

This control adjusts the input signal level. It should be adjusted while monitoring the INPUT LEVEL meter. If all of the eight LEDs in the level meter continue to be on, input signal clipping will occur. Position "8" on the volume control scale causes a unity gain; position "10" causes a gain approximately 12 dB higher than the unity gain.

1-4 BUFFER/MIXING AMPLIFIER

The signal from the INPUT LEVEL control couples to this buffer, whose output branches to the following mixing amplifier.

1-5 EQ (EQUALIZER)

Setting the EQ ON/OFF switch to ON activates the equalizer circuit (EQ ON indicator comes on). If the switch is set to OFF, the signal bypasses the equalizer and couples to the following low pass filter (LPF).

The EQ is a three-band parametric equalizer, whose output is subject to the reverberation process.

1-6 LOW PASS FILTER (LPF)

The LC type LPF cuts off the high frequency components (12 kHz and above) contained in the reverberation signal to prevent generation of noise or distortion in the following sample hold circuit, A/D converter, or D/A converter.

1-7 EMPHASIS CIRCUIT

The output of the AD convertér's gain dispersion adjusting network couples to the emphasis circuit, where the high frequency response above 1 kHz is emphasized so that the response at 10 kHz is 8 dB above the normal level.

This emphasis compensates for the degradation of the high frequency response occurring in the following sample hold circuit. It is also referred to as pre-emphasis.

1-8 SAMPLE HOLD (S/H) CIRCUIT

The inverting type S/H network is used to sample the analog signal for the following A/D converter, the sampling rate is 31.25 kHz.

1-9 A/D CONVERTER

The A/D converter consists of a current-output type D/A converter, successive comparison register, comparator, shift register, and some other components. It quantizes the sampled signal to convert the input analog signal into serial digital data.

When an ADST clock is input to the converter, the reverberation signal is compared with the reference level beginning with the MSB. If the signal level exceeds the reference level, the resulting data bit is set to one. The comparison sequence is repeated 16 times to complete a single data item.

When the LSB of the input is compared, the converter accepts the ADLD clock to output the resulting data to the shift register, where it is converted into serial data and coupled to the digital section via the AD OUT. The A/D converter repeats this conversion sequence at high speed (see Figure 3).

Two test switches are provided between the AD OUT and DA IN. Setting this switch to the TEST position allows checking only the analog section.

2. Analog Section — No. 2 (DA IN to OUTPUT)

2-1 D/A CONVERTER

The digitally coded signal output of the digital section returns to the DA IN terminal, through which it is coupled to the D/A converter circuit. The analog signal output of the D/A converter is still in the form of sampling voltage. The signal is serially time-shared into the L and R channel signals at the D/A output (see Figure 3).

2-2 SAMPLE HOLD (S/H) CIRCUIT

A buffer amplifier is provided in front of the S/H circuit to reduce the signal amplitude (max. ± 10 V at the D/A output) into approx. ± 2 V at the output of the S/H circuit. The S/H circuit serves to convert the sampling voltage into staircase voltage and eliminates gridges occurring at the rising and falling edges of the staircase signal (see Figure 1).

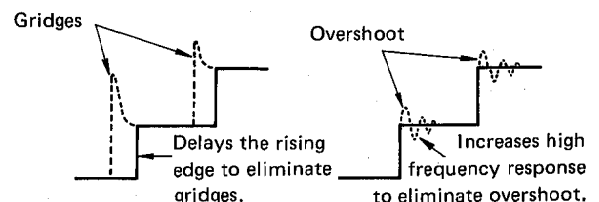
2-3 LOW PASS FILTER (LPF)

This LPF eliminates the high frequency components from the staircase signal to convert it into a smooth analog waveform.

2-4 DE-EMPHASIS CIRCUIT

The de-emphasis circuit reduces the high frequency response which was emphasized in the pre-emphasis circuit. The amplifier following the de-emphasis network provides aperture compensation which compensates for the high frequency response which was slightly deteriorated in the S/H circuit (see Figure 2).

Figure 1 Degridging Figure 2 Aperture compensation



2-5 MIXING AMPLIFIER

The "direct" and reverberation signals are applied to the mixing amplifier through a MIXING control, where they are mixed at a ratio of 1 : 1 at the output of the first buffer.

The BYPASS switch, when activated, feeds only the "direct" component of the signal to the output. The MUTE switch is used to totally mute off both "direct" and reverberation signals.

2-6 OUTPUT

The signal branches into two paths at the following buffer amplifier for unbalanced/balanced signal conversion and feeds to the stereo output connectors. A three-pin XLR connector and stereo phone jack are provided for the L and R channel outputs each.

2-7 LED DRIVER

To drive the LEDs for the INPUT LEVEL meter, the analog signal level is picked up at the pre-emphasis circuit. Only the signal clip is detected in the A/D converter section.

2-8 MUTING CIRCUIT

The muting circuit is automatically activated at the time of power on (for 3 sec.) and off (immediately) to suppress annoying "pop" noise.

3. Digital Section

The digital section is roughly divided into an I/O interface, timing generator, microcomputer, front panel, and digital signal processor.

3-1 I/O INTERFACE

- The I/O interface interfaces the MIDI IN/MIDI THRU, and Remote Control jacks to the microcomputer section. The filters provided near each jack prevent radio frequency interference.
- The MIDI muting circuit prevents the MIDI THRU signal from malfunctioning at the time of power on and off.
- The multiplexer comprises of IC143 and 144 switches between the MIDI, CPU, and DSP. Pins 3, 4, 5, 6 and 10, 11, 12, 13 of IC143 and 144 serve as inputs, while pins 7 and 9 of the same ICs serve as outputs.

3-2 TIMING GENERATOR

The timing generator consists of IC159, 164, 169, and 173. A time-base oscillation of 4 MHz is obtained by an oscillator using a ceramic resonator, whose output is frequency divided into 2 MHz, 1 MHz, and 31.25 kHz to provide the system clocks (see Figure 4).

3-3 MICROCOMPUTER

- The microcomputer section uses a CMOS microprocessor, HD6303R, for its CPU. It controls the system under microprogram control according to the MIDI signal or front panel switch status.
- The 16 KB EPROM contains preset programs Nos. 1 through 30, digital signal processing program, test program, and some other control programs.
- The 8 KB CMOS static RAM can store user programs Nos. 31 through 90. It is backed up by a Lithium battery.

3-4 FRONT PANEL SECTION

- The front panel section senses the MIDI signal and front panel switch status, encodes them into a digitally coded signal by using a matrix, and transfers it to the CPU.
- The LEDs are dynamically driven by periodic clock pulses.
- The LCD is controlled by the CPU to provide information display via buffers.

3-5 DIGITAL SIGNAL PROCESSOR

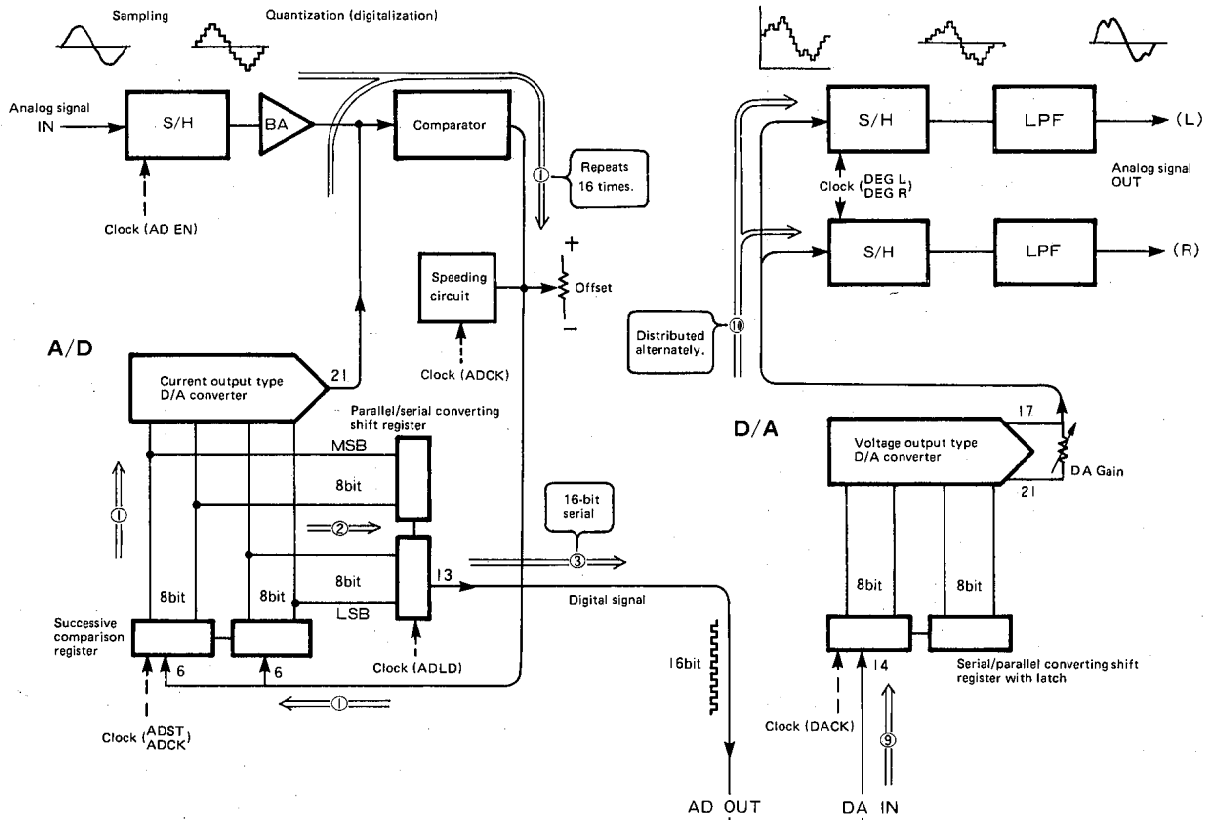
- The digital signal processor consists of a newly developed DSP (digital signal processor chip), modulation data generator (MOD), and 16K word x 4 bit DRAM. It provides various effects on the reverberation signal by modifying the digital reverberation signal. Six DRAM chips are used in parallel to allow access to 24 bits at a time. The DSP internally contains delay, APF, LPF and other circuits. Its DSP signal is modulated from the MOD under the control of the CPU.
- The reverberation signal from the analog section is coupled from the AD OUT to pin 18 of the DSP-2, where it is modified by parameter data read from ROM or RAM. The resulting signal is output through pin 19 and coupled to pin 18 (X) of DSP-1, where it is further modified. The processed signal goes out through pin 20 (Y) and again couples to pin 17 (Y) of DSP-2, where it is again subject to processing. The resulting reverberation signal goes out through pin 20 in the form of time-shared (L and R channels) serial digital data and is transferred to the analog section (see Figure 3).

3-6 MIDI

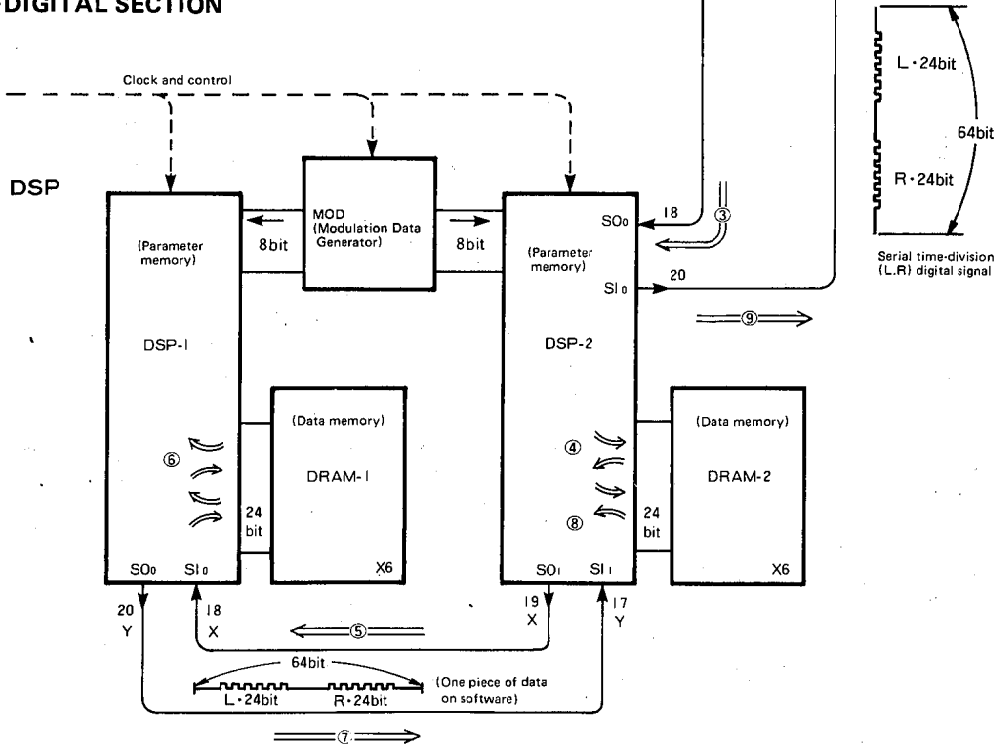
- MIDI is an abbreviation of Musical Instrument Digital Interface. It specifies the standards for data interface between musical instruments and was enacted at the MIDI Standard Committee. The MIDI software uses an 8-bit digital code for interfacing up to 256 of information. The information pieces numbered 128 through 255 out of the 256 are called status. Information pieces numbered 0 through 127 output following the status information represent numeric data. numeric data. The MIDI hardware, connector pin assignments, coding, and transfer rate are all specified in the Standards.
- Since the REV7 simply receives signals from external devices and modifies them and does not generate signals by itself, it does not need the MIDI OUT connector, and only has a MIDI IN and MIDI THRU connectors. Five-pin DIN connectors are used for these connectors. The MIDI IN connector accepts MIDI signal from an external device, and the MIDI THRU connector feeds out the signal applied to the MIDI IN connector as it is. The MIDI data handled by the REV7 includes OMNI ON/OFF, transmit/receive channel specification data, program number update, and some others (see the table on page 27).

Figure 3 Interface between analog and digital sections

●ANALOG SECTION

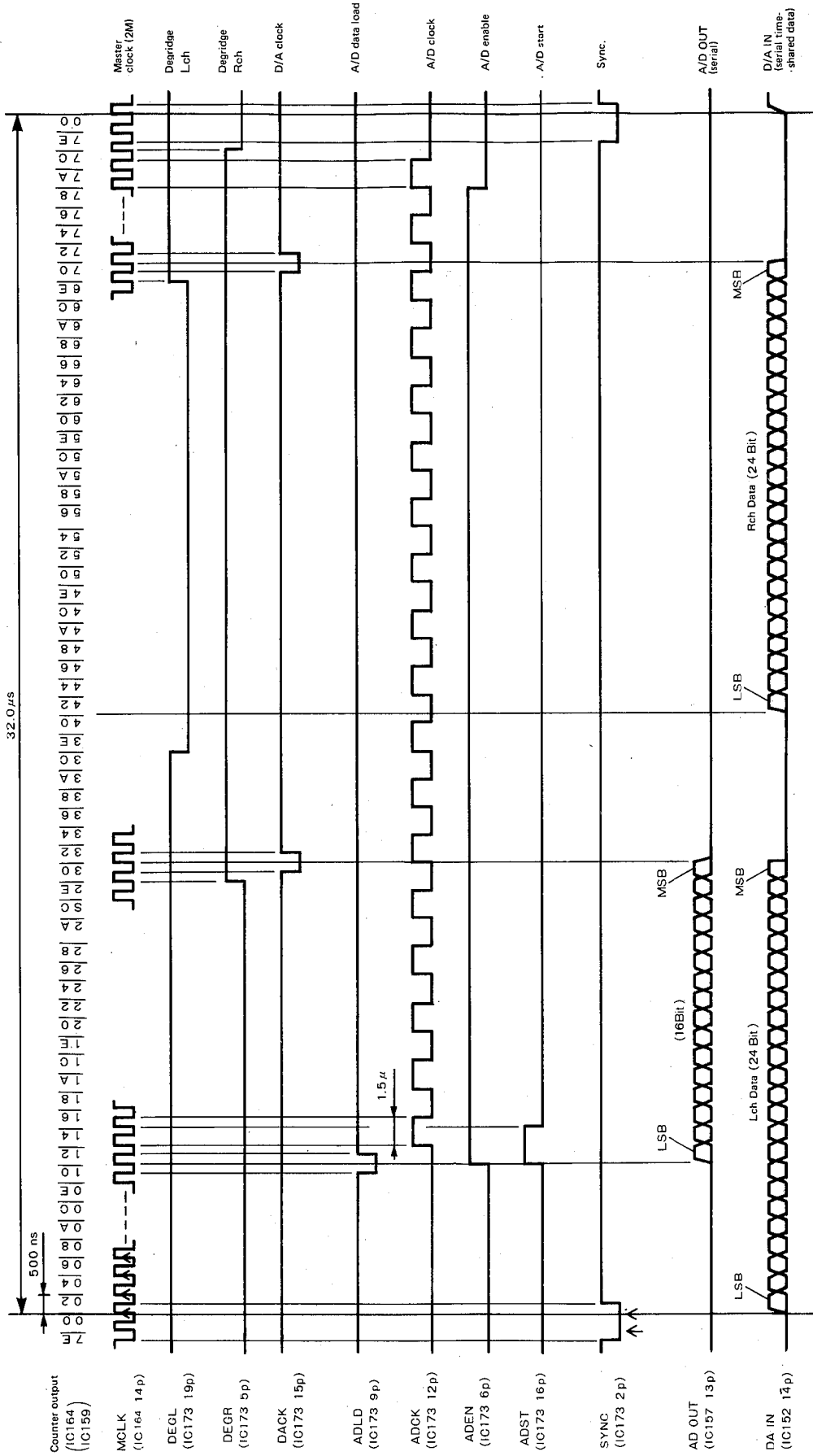


●DIGITAL SECTION



REV7

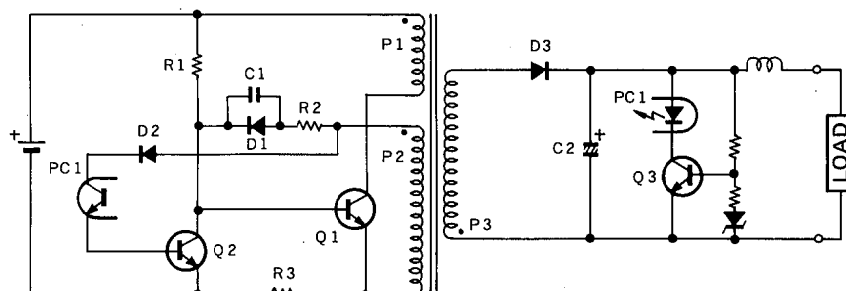
Figure 4 System clock timing chart



4. Power Supply Circuit

The power supply for the REV7 uses an RCC (ringing choke converter) type switching regulator. It is an improved version of the compact, high-efficiency regulated power supply used in our MSX computers. The switching frequency is set at 150 kHz after considering noise, stability, and efficiency.

Figure 5 Basic power supply circuit



- Figure 5 shows the basic power supply circuit, wherein the primary coils (P1, P2) are wound to cause positive feedback. The oscillation output of transistor Q1 causes the secondary voltage to develop across the secondary coil.

- When the primary power is applied, a starting current flows into the base of the transistor (Q1) through a starting resistor (R1) to turn Q1 on. Since the primary coils (P1, P2) are wound to cause positive feedback, the starting current causes Q1 to start oscillation. The oscillation amplitude increases to the switching level. When the current increases to a certain level, the VCE of Q1 increases due to decreased I_b HFE. This causes the voltage across the transformer to begin decreasing. The resulting reduction of I_b turns Q1 off quickly.

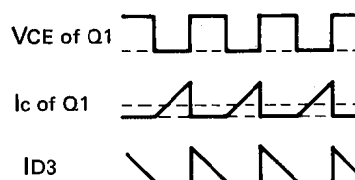
This causes the secondary winding (P3) of the transformer to be energized in the reverse direction. The generated energy is stored in a capacitor (C2) via an output rectifier diode (D3) and supplied to the load. When the current through D3 is reduced to zero, a flyback voltage occurs across P3 and then P2, turning Q1 on. This sequence is repeated to supply the secondary power (of which voltage is determined by the ratio of on to off intervals of Q1) to the load.

The photocoupler (PC1) and transistor (Q2) are used to stabilize the supply voltage. If the load is increased, the secondary voltage drops. This causes the resistance of the photocoupler to be increased, bringing down the base potential of Q2. This increases the base potential of Q1 and extends Q1's turn-on time period.

If the load is reduced, the circuit works just opposite to the above sequence to reduce Q1's turn-on time.

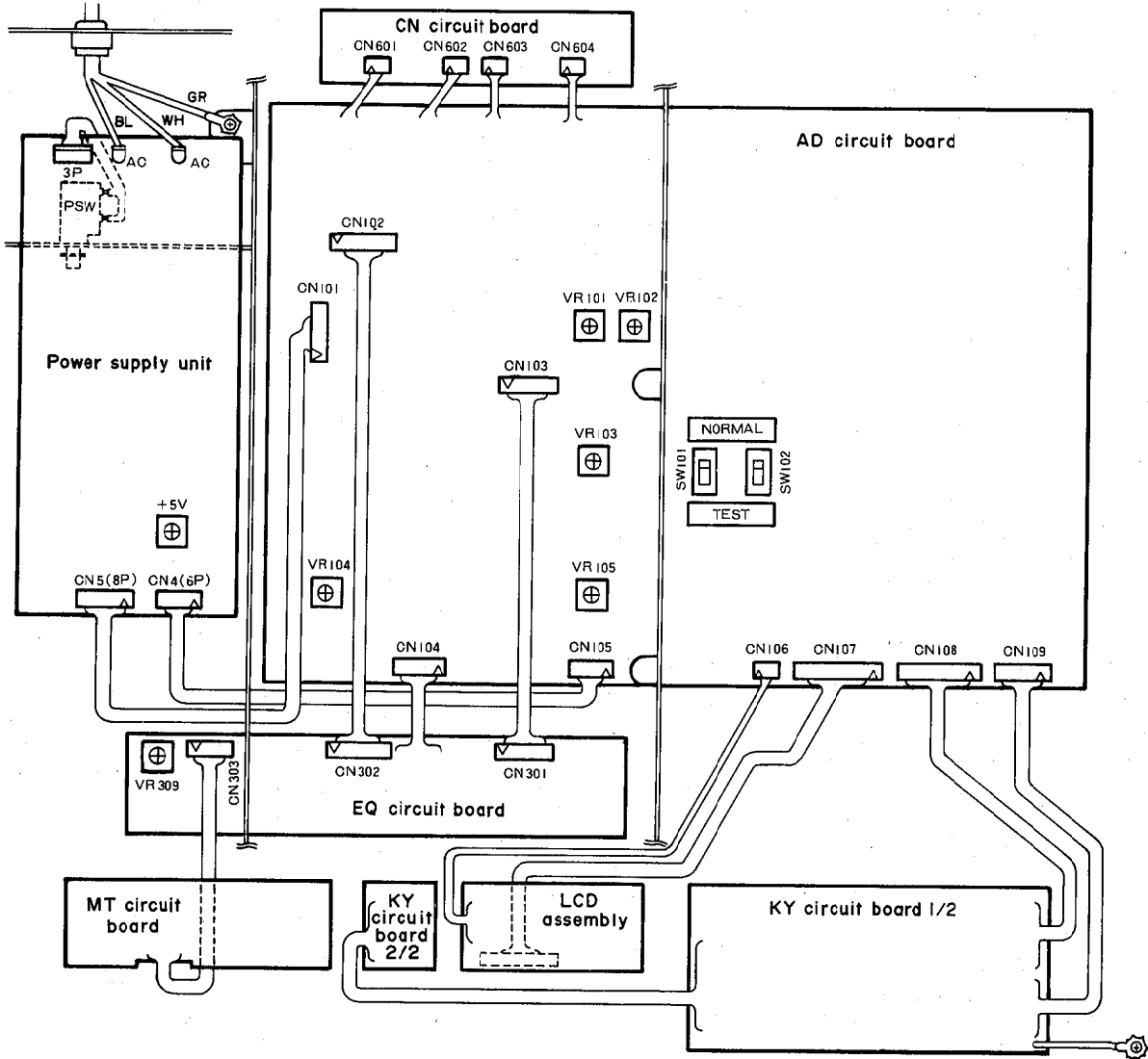
The secondary voltage sensing circuit comprised of PC1, Q3, and some other components is called comparator or error amplifier.

Figure 6 Voltage waveforms

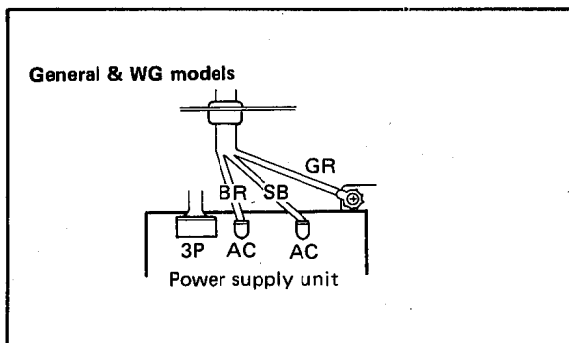


UNIT LAYOUT

U.S. & Canadian models



- Note 1.) This unit layout shows the U.S. and Canadian specifications.
- Note 2.) For the departures of wirings between destinations, refer to the figures at left.
- Note 3.) After completing inspection, make sure the SW101 and SW102 are set at NORMAL.



Adjustment Pots:

- VR101 L OUT balance adjustment
- VR102 R OUT balance adjustment
- VR103 D/A gain adjustment
- VR104 A/D gain adjustment
- VR105 A/D offset adjustment
- VR309 Meter sensitivity adjustment

■ CHECKS AND ADJUSTMENTS

1. Preparation

1-1 PREPARATORY SETTINGS

- Unless otherwise specified, the front panel controls and switches should be set to the following positions:

INPUT LEVEL Max.
 LO FREQ. Min.
 LO LEVEL Center
 MID FREQ. Min.
 MID LEVEL Center
 HI FREQ. Min.
 HI LEVEL Center
 MIXING Max. (Reverb)
 MONO/STEREO SW STEREO
 EQ. ON/OFF SW OFF

- The slide switches SW101 and SW102 on the AD board should be set at TEST position.
- For output loading, connect resistors (300 ohms + 300 ohms) in series to the XLR connector or PHONE jack on both channels. (Whether the XLR or PHONE jack is to be used will be specified in each check and adjustment item.)

1-2 TEST EQUIPMENT REQUIRED

- AF signal generator, voltmeter, distortion meter, oscilloscope, load resistors. (300 ohms + 300 ohms)
- For distortion measurement, use a low-pass filter with the cut-off frequency of 80 kHz and -6 dB/Oct slope.
- For noise level measurement, use a low-pass filter with the cut-off frequency of 12.7 kHz and -6 dB/Oct slope.
- The AF signal generator should have an output impedance of 600 ohms or less.
- The test equipment should have an input impedance of 1M ohms or higher.

2. Checks

2-1 GAIN CHECK

2-1-1 Overall gain (Reverberation signal)

When a -8 dB/1 kHz signal is applied to the INPUT (XLR) connector on each channel, an output level of +4dB \pm 1.5dB should be obtained at the OUTPUT connectors (XLR).

2-1-2 Bypass circuit

With the measurement condition set up as described in section 2-1-1, set the BYPASS switch to ON, and verify that an output level of +4dB \pm 2dB is obtained at the OUTPUT on each channel (set the BYPASS switch back to OFF after completing this check).

2-1-3 Mute circuit (Direct signal)

With the measurement condition set up as described in section 2-1, set the MIXING control to far left position (DIRECT side), and verify that an output level of +4dB \pm 2dB is obtained at the OUTPUT on each channel. Also make sure that this signal output is removed from the OUTPUT when the MUTE switch is set to ON. (When completing these checks, set the MIXING control to far right position, and MUTE switch to OFF.)

2-1-4 MONO mode

With the measurement condition set up as described in section 2-1, set the MIXING control to MONO, and verify that an output level of +4dB \pm 2dB is obtained at the OUTPUT on each channel. Also make sure that the MONO LED on the front panel comes on.

2-2 FREQUENCY RESPONSE

2-2-1 Reverberation signal

With an input signal of approx. -10 dB applied to the INPUT connector (PHONE jack) on each channel, verify that the frequency response at the OUTPUT connectors (PHONE jacks) meets the following specifications with respect to the reference level at 1 kHz:

20Hz ~ 1kHz	12kHz	20kHz	(dB)
+1 ~ -2	+1 ~ -5	—	

2-2-2 Direct signal

With the measurement condition set up as described in section 2-2-1, set the MIXING control to far left position (DIRECT side), and verify that the frequency response at each OUTPUT jack meets the following specification with respect to the reference level at 1 kHz (after completing this check, set the MIXING control back to far right position):

20Hz ~ 20kHz	(dB)
+1 ~ -3	

2-3 DISTORTION

2-3-1 Distortion at maximum output level

With the measurement condition set up as described in section 2-1-1, verify that the distortion at the outputs does not exceed 0.1%

2-3-2 Distortion at non-distortion output level

With a 1 kHz signal applied to the INPUT connector (XLR) on each channel, increase the signal level to just before distortion is observed in the output waveform at the OUTPUT connector (XLR) (use the monitor output of the distortion meter for this observation), and verify that the distortion at that point does not exceed 0.01%. Also make sure that the CLIP indicator (red) at the top of the level meter comes on just before the distorted waveform appears on the oscilloscope screen, and goes off when the level is reduced.

2-4 MAXIMUM OUTPUT LEVEL

With the measurement condition set up as described in section 2-1, apply a 1 kHz signal to the INPUT connector (XLR) on each channel, and verify that an output level of +18 dB is obtained at each OUTPUT connector with distortion not exceeding 1%.

2-5 EQUALIZER

Apply a pink noise to the INPUT (PHONE jack) connector on each channel (or may be either channel), and set the EQ. ON/OFF switch to ON to output the noise through the speaker. With the LO LEVEL control set to MAX, turn the LO FREQ. control from MIN to MAX, and make sure that the emphasized noise frequency band moves as the control is turned (see the Table on page 12). Do the similar check also for the MID and HI frequency bands.

(For the high frequency band, however, it is not possible to check the equalizer effect above 12 kHz as a low pass filter to cut off the frequencies above 12 kHz is provided.)

2-6 MUTING CIRCUIT

Verify that the output signal is muted off for a few seconds after the unit is turned on, and immediately after it is turned off, to suppress pop noise.

2-7 MUTE SWITCH (REV SIDE)

After completing the checkouts from 2-1 through 2-6, set SW101 and SW102 on the AD board to the NORMAL position. Apply a -8 dB/1 kHz signal to the INPUT connector (XLR) on each channel, select the "DELAY" (MEMORY No. 7) for preset, and verify that an output level of $+4$ dB \pm 1.5dB is obtained at the OUTPUT connector (XLR) on each channel. Then set the MUTE switch to ON, and make sure that the signal output is removed from the connectors. (After completing the check, set the MUTE switch back to OFF.)

3. Adjustments**3-1 METER SENSITIVITY ADJUSTMENT**

With the measurement condition set up as described in section 1-1, set the switches SW101 and SW102 on the AD board to the TEST position. Apply a 1 kHz test signal to the INPUT connector (XLR) on each channel, and adjust the input level until an output level of $+10$ dB is obtained at the left channel output connector (XLR). Then adjust VR309 on the EQ board until LED "0" and all other LEDs below "0" come on. Make sure that all the LEDs on the level meter remain off when the input signal is removed.

3-2 BALANCE ADJUSTMENT

With the measurement condition set up as described in section 1-1, set the MONO/STEREO switch to MONO, and apply a $+8.5$ dB/1 kHz test signal to the INPUT connector (XLR) on the left channel. Connect an oscilloscope across the mid point of the load resistors (300 ohms + 300 ohms) at the left channel output (XLR) and the ground, and adjust VR101 until the output signal amplitude is minimized. Similarly, adjust VR102 until the output signal amplitude across the mid point of the load resistors at the right channel output (XLR) and ground is minimized.

3-3 A/D GAIN ADJUSTMENT

With TP122 shorted to TP124 (OUTPUT L) and TP125 shorted to TP127 (OUTPUT R), apply a $+8.5$ dB/1 kHz test signal to the left channel INPUT connector (XLR) under the measurement condition set up as described in section 3-2. Adjust VR104 until the output signal at TP123 is slightly distorted, then adjust VR105 until the distortion is symmetrical around the horizontal axis (use the monitor output of the distortion meter for waveform observation).

Then adjust VR104 to the point where distortion is just removed from the signal waveform at TP123.

3-4 D/A GAIN ADJUSTMENT

With the measurement condition set up as described in section 3-3, adjust the output signal level at TP123 to $+18.5$ dB \pm 0.2dB with VR103. (After completing this adjustment, set the MONO/STEREO switch to STEREO.)

3-5 A/D OFFSET ADJUSTMENT AND NOISE LEVEL

With the measurement condition set up as described in section 1-1, set switches SW101 and SW102 on the AD board to the NORMAL position. Open the INPUT connectors (both XLR and PHONE jacks) on both channels, and feed the output at the OUTPUT R connector (XLR) to the speaker.

While alternately setting the OUT PHASE switch on and off, adjust VR105 until click noise from the speaker is minimized. After this, verify that the noise level at the OUTPUT connector on each channel does not exceed -66 dB. If this specification is not met, adjust VR105 to smallest span possible until the noise level falls into the specified level. If VR105 is readjusted, repeat the click noise check using the OUT PHASE switch again, and verify that the click noise level is still close to the minimum level. The adjustment described in this section should be done approximately 5 minutes after the unit is turned on.

4. Power Supply Circuit Adjustment and Some Notes

- The $+5$ VDC line should be adjusted with a pot within the power unit. When adjusting, be sure to load the line and connect a voltmeter across pin 6 (+) and pin 1 (-) of the connector CN4.
- Precision measurement of in-circuit voltages is difficult with the voltmeter. Use an oscilloscope for this purpose. Be sure to float the G line of the oscilloscope so that it will not be shorted to the primary circuit of the power supply.
- Be sure to load the DC power outputs whenever testing them with the unit powered on. Otherwise, the abnormally increased switching frequency will damage the circuit in a few minutes.
- A high voltage develops in the primary circuit of the power supply. Exercise the utmost care when servicing.

5. Other Precautions

- Do not touch the 4-gang low-pass filter's slugs as they are factory adjusted. (see the LPF Characteristics on page 24).
- Compact, precision parts are used for controls and switches. When replacing one, be sure to use a soldering iron specifically designed for semiconductor devices.
- A 3 V Lithium battery is used in the reserve power for RAM back-up. The battery life is about 3 to 5 years. If the RAM operation exhibits unstable symptom, replace the battery with a new one (CR2032 or equivalent). When replacing the battery, the contents of the user memory evaporate. Be sure to record the necessary data in a written form, and re-enter them after battery replacement is completed.

■ DIAGNOSTIC PROGRAMS

The REV7 contains test programs for functional checks. The following describes the details of these test programs. Check sum test on ROM, read-after-write test on S-RAM, and DSP and MOD control circuit check are automatically done on the main program when power is switched on.

● STARTING TEST PROGRAMS

To start up test programs, switch on the unit while holding down the REV1 and MUTE keys. Release the keys when the information on the LCD changes (approx. 1 sec. later).

1 Test Program #1 LCD check

Press the MEMORY key (omissible if the MEMORY LED is already on; same for all the following tests), numeric key "1", then RECALL key. The screen will be filled with black squares, which flash five times before being replaced with an END message (approx. 5 sec.). Visually check that all square dots appear. This test can be repeated.

0

DIAGNOSTICS
TEST RAM&ROM OK

1

1

DIAGNOSTICS
TEST LCD END

2 Test Program #2 LED display check

Press the MEMORY key, numeric key "2", and then RECALL key. Verify that the LED display first changes from 0 through 99, then goes off, shows "88", and finally stops with data "2" (approx. 10 sec.). This test can be repeated.

88

DIAGNOSTICS
TEST LED **

2

DIAGNOSTICS
TEST LED END

3 Test Program #3 Switch check

Press the MEMORY key, numeric key "3", then RECALL key. Press the REV1, REV2, through BYPASS keys in the order from top to bottom, and from left to right, and verify that the number appearing on the LCD changes from 01 through 35 and ends up with "OK".

* If a defective switch is found or the order of switch operation is incorrect, the message "NG" will appear. If "NG" appears, repeat Test #3 again.

3

DIAGNOSTICS
TEST SWITCH 00

4 Test Program #4 MIDI input/output check

Short the MIDI IN jack to MIDI THRU jack with a cable. Press the MEMORY key, numeric key "4", then RECALL key. If MIDI I/O operation is faulty or MIDI connection is defective, the message "NG" will appear.

4

DIAGNOSTICS
TEST MIDI OK

5 Test Programs #10 ~ 17, 20 ~ 27 DRAM check

Press the MEMORY key, a numeric key, then RECALL key. The numeric key should be pressed in the sequence of 10 to 17, and 20 to 27 each time the execution of the corresponding program is completed. Connect the oscilloscope to the OUTPUT connectors of the unit and check the waveforms. Signal resolution is reduced for this test. Sequentially execute the tests and identify the defective DRAM chip from the test result.

10

DIAGNOSTICS
TEST DRAM2 THR

17

-----DITTO-----
+MX

(16 corresponds to -MAX,
17 corresponds to +MAX.)

LED display	LCD display	Check data output (DRAM)					
		M S B			L S B		
		I C	I 3 6	I 4 0	I 3 2	I 4 1	(with in DRAM)
1 0	T H R						
1 1	0 4 B		I 4 0	I 3 2	I 4 1	I 3 7	
1 2	0 8 B		I 3 2	I 4 1	I 3 7	I 3 3	
1 3	1 2 B		I 4 1	I 3 7	I 3 3	0 0 0 0	
1 4	1 6 B	0 0 0 0	0 0 0 0	0 0 0 0	0 0 0 0	0 0 0 0	(all zero)
1 5	2 0 B	0 1 1 1	1 1 1 1	1 1 1 1	1 1 1 1	1 1 1 1	(7 F F F F F)
1 6	- M X	1 0 0 0	0 0 0 0	0 0 0 0	0 0 0 0	0 0 0 0	(8 0 0 0 0 0)
1 7	+ M X	Max. positive voltage output at D/A output					

20

DIAGNOSTICS
TEST DRAM1 THR

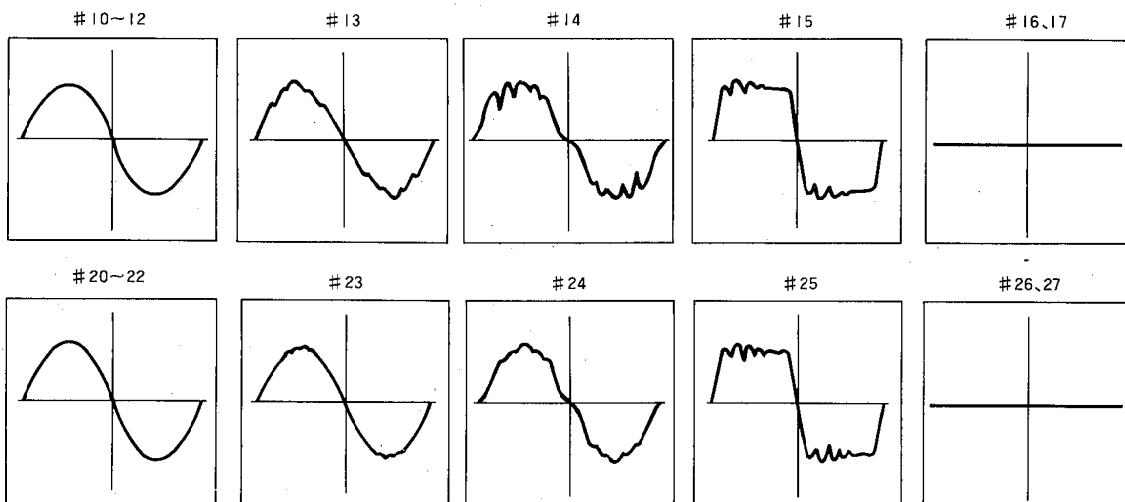
27

-----DITTO-----
+MX

(26 corresponds to -MAX,
27 corresponds to +MAX.)

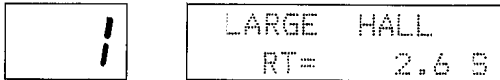
LED display	LCD display	Check data output (DRAM)					
		M S B			L S B		
		I C	I 3 4	I 3 8	I 3 0	I 3 9	(with in DRAM)
2 0	T H R						
2 1	0 4 B		I 3 8	I 3 0	I 3 9	I 3 5	
2 2	0 8 B		I 3 0	I 3 9	I 3 5	I 3 1	
2 3	1 2 B		I 3 9	I 3 5	I 3 1	0 0 0 0	
2 4	1 6 B	0 0 0 0	0 0 0 0	0 0 0 0	0 0 0 0	0 0 0 0	(all zero)
2 5	2 0 B	0 1 1 1	1 1 1 1	1 1 1 1	1 1 1 1	1 1 1 1	(7 F F F F F)
2 6	- M X	1 0 0 0	0 0 0 0	0 0 0 0	0 0 0 0	0 0 0 0	(8 0 0 0 0 0)
2 7	+ M X	Max. positive voltage output at D/A output.					

When Test Program # 5 is executed with a sine wave signal applied to the INPUT of the unit, the following signal waveforms are obtained at the OUTPUT. The signals # 10 and # 20 sound smooth, while the signals # 15 and # 25 sound rather sharp, when they are fed to the speaker.



● **Returning from Test Program to Normal Operation Mode**

Press the MEMORY key, numeric key "9", letter key "0", and finally RECALL key. The previous memory number will be recalled on the LED display (Memory No. 1 in the following example):



● **Self Test when Power Switched On**

When the REV7 is switched on, it automatically performs self test on the main program in the following sequence. If no error is detected, the unit proceeds with normal operations (self test takes approx. 2 sec.).

If an error is detected, the error number appears on the LED display. Test program stops at the error point, so the suspected circuit must be checked first.

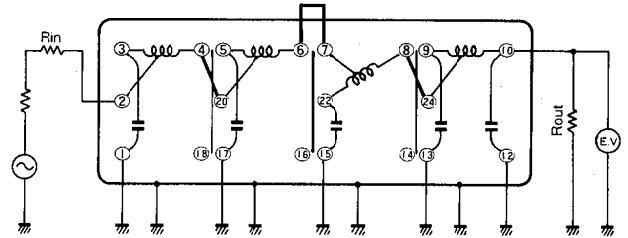
Error No.	Self Check Function
E 0	● CPU ROM check: Performs check sum test on the program ROM (EPROM).
E 1	● CPU's internal RAM check: Performs read-after-write check on CPU's internal RAM (locations 080H to 0FFH), using data FF and 00.
E 2	● CPU's external RAM check: Performs read-after write check on CPU's external RAM (S-RAM) locations 4000H to 4FFFH, using data FF, AA, and 00.

The display momentarily shows the ROM version number and date at the time of power on.

● **Reference: LPF Characteristics**

The following shows the internal connections and characteristics of the low-pass filter (VA024200) used in the REV7:

Pin Connections (Bottom View)



Electrical Characteristics

Input impedance	5.6k Ω	
Output impedance	5.6k Ω	
Cut-off frequency (-3dB)	12.2kHz	
Attenuation	15.5kHz	Min. 50dB
	20~100kHz	Min.70dB
Insertion loss (at 1 kHz)	Max. 1.0dB	
Distortion (at 1 kHz)	0.005%	

Distortion measurement condition:

Distortion meter input voltage: 1 V

400 Hz HPF : ON

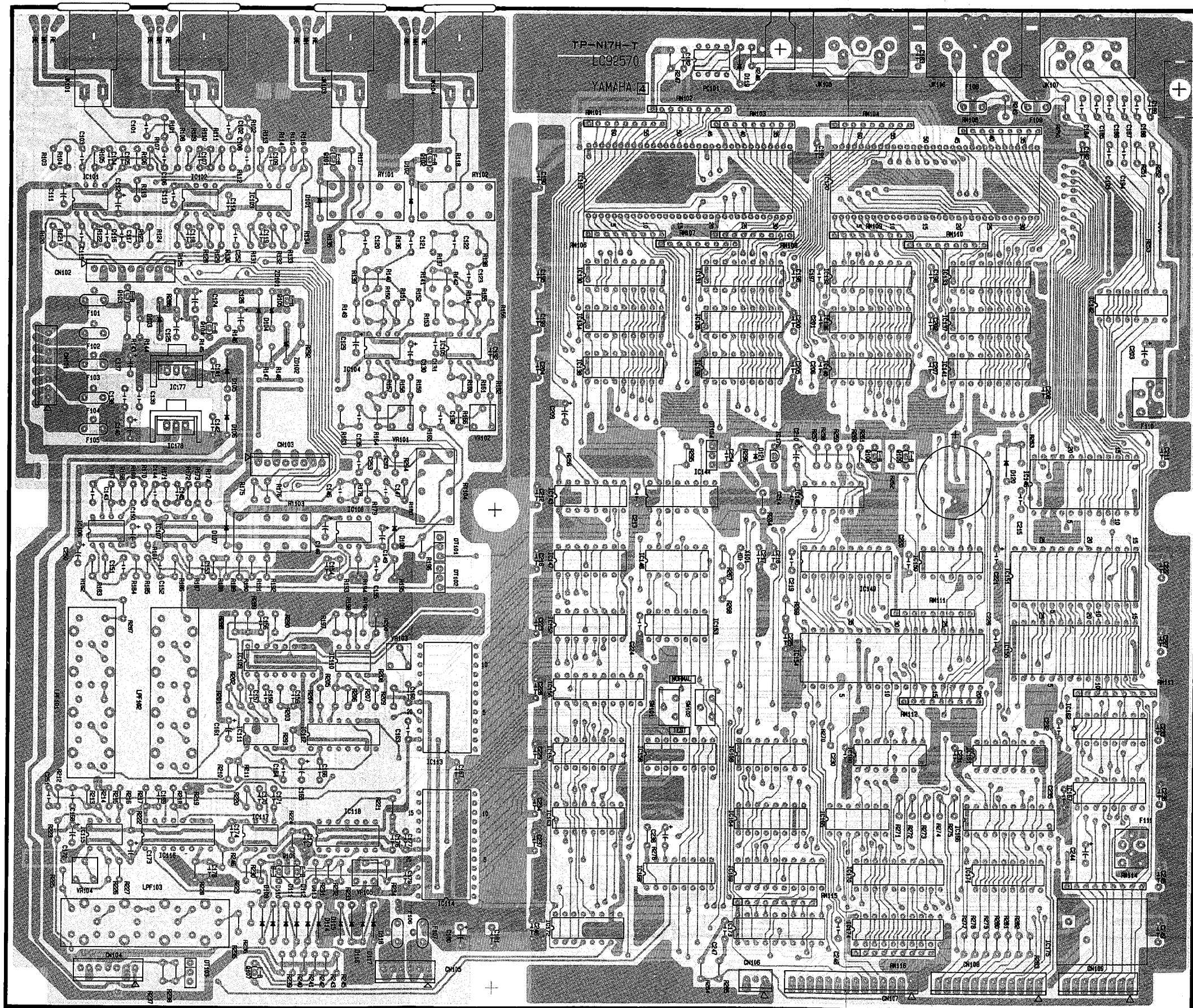
30 kHz LPF : ON

Reference level: E.V.M. reading of 0.775 V at 1 kHz is defined as 0 dB.

* The LPF should be handled with care as it uses very thin internal leads.

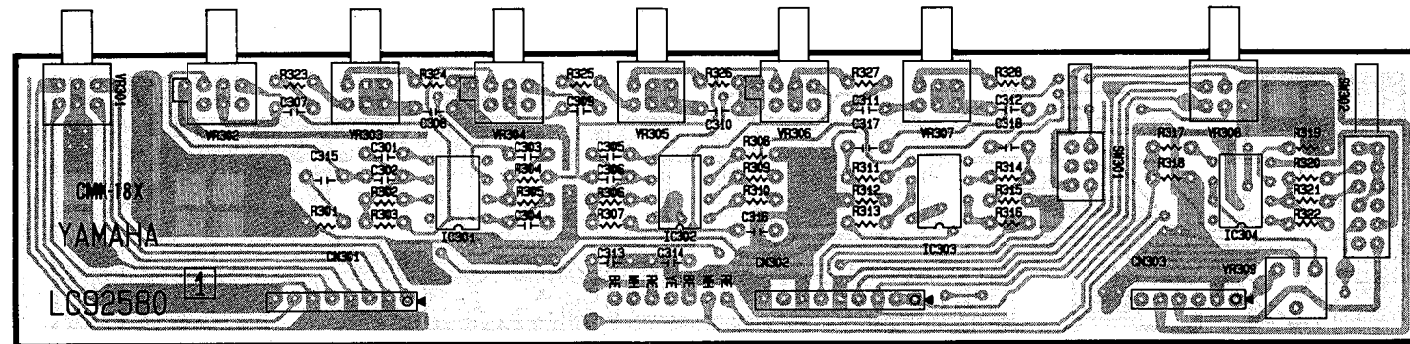
■ CIRCUIT BOARDS

● **AD CIRCUIT BOARD (VA038500)**

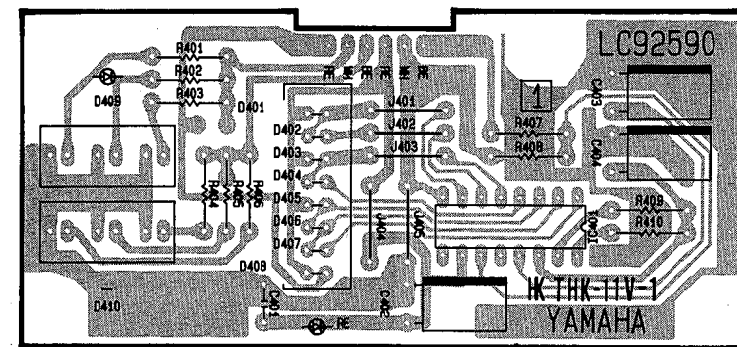


REV7

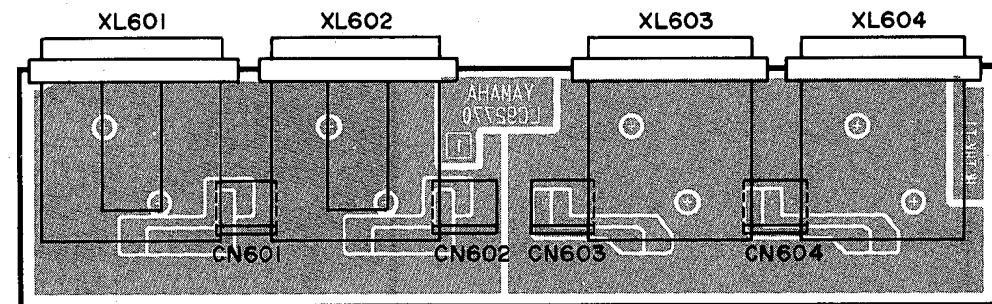
• EQ CIRCUIT BOARD (VA038600)



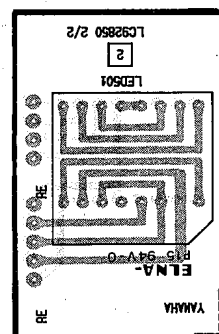
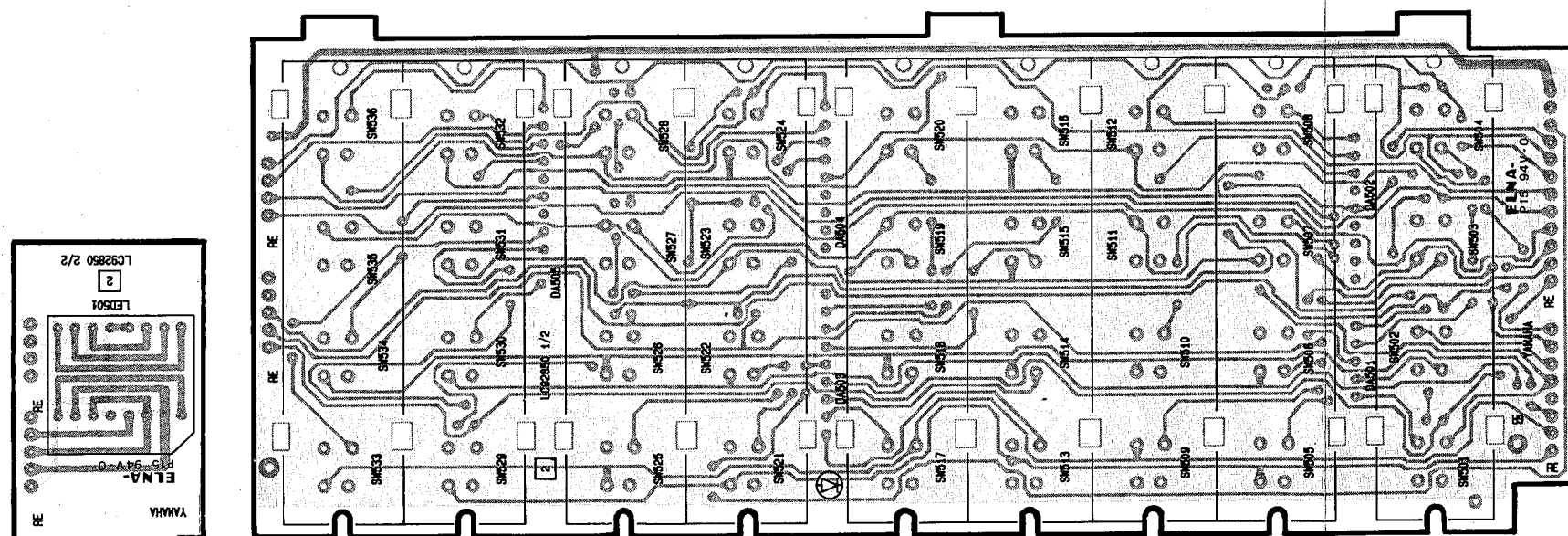
• MT CIRCUIT BOARD (VA038800)



• CN CIRCUIT BOARD (VA038900)



• KY CIRCUIT BOARD (VA038700)



1

• POWER SUPPLY CIRCUIT BOARD

(U.S.: NP825000

Canadian: NP826000

General & WG: NP824000)

2

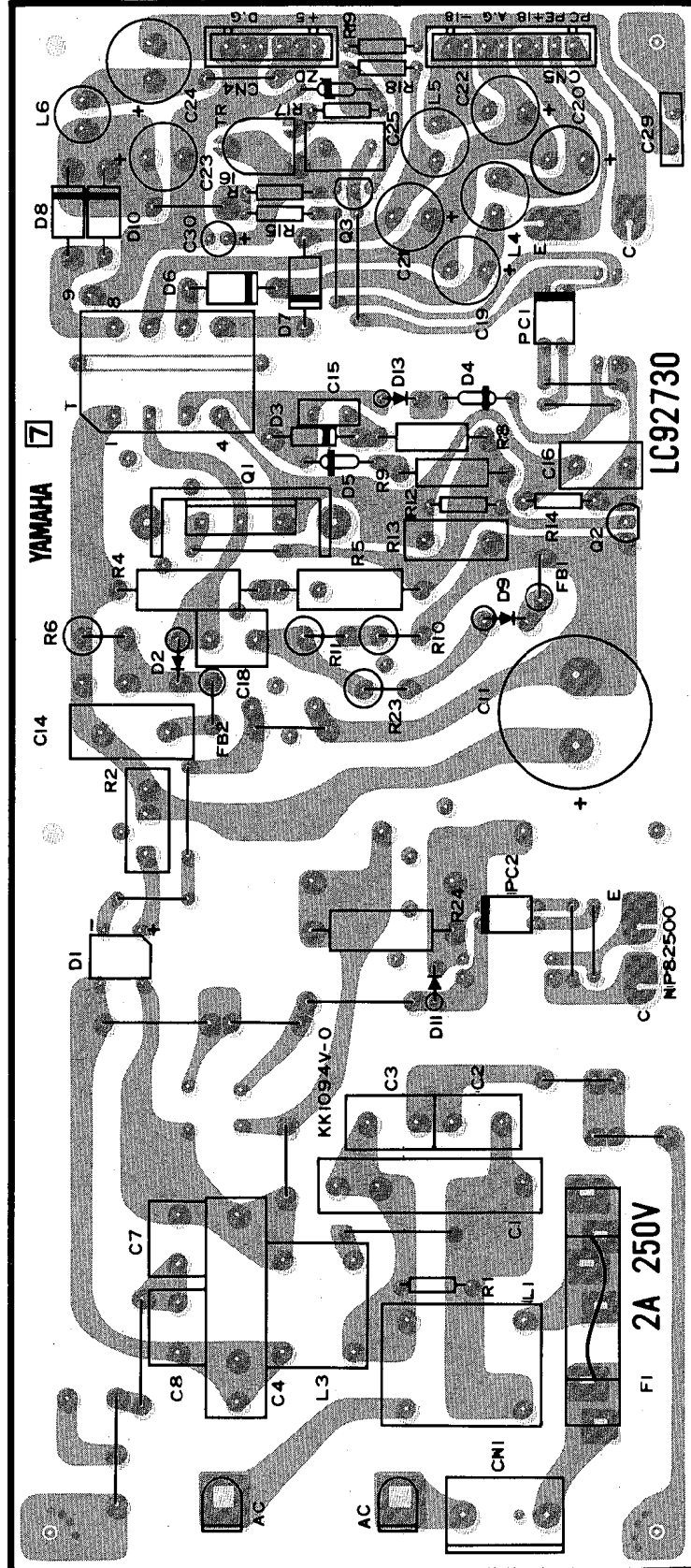
3

4

5

6

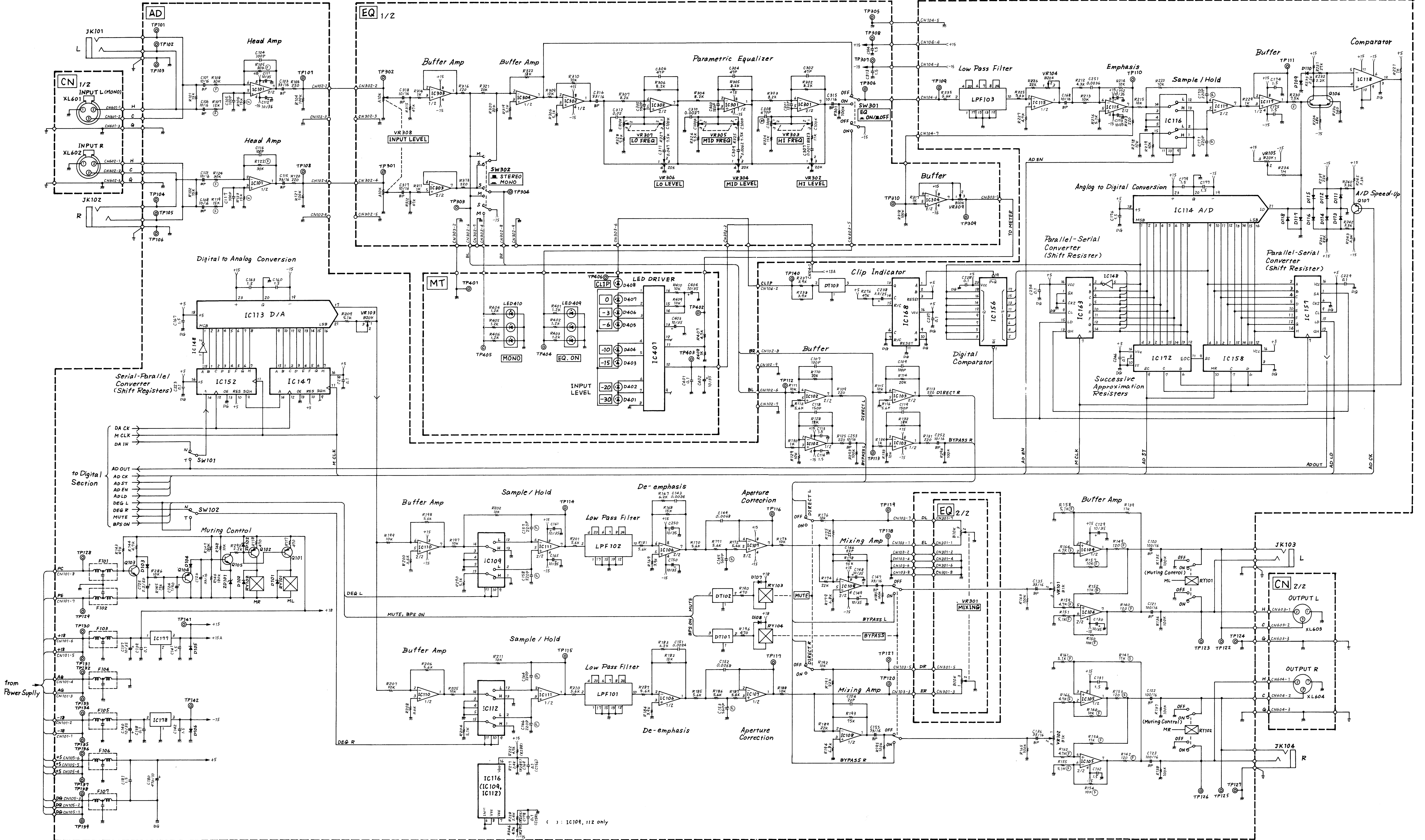
7



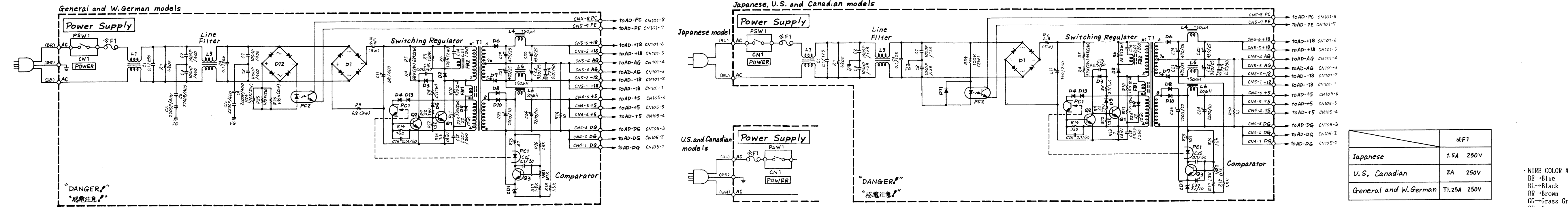
REV7

SCHEMATIC DIAGRAM

ANALOG SECTION



- Notes
- AD Circuit Board
 - IC101-103, 106-108 : NJM4558BW (16001390)
 - IC104, 105 : NJM4558D (16012500)
 - IC109, 112, 116 : TC4653BP (16055100)
 - IC113 : PC353P-V (16131000)
 - IC114 : NJM4558D (16012500)
 - IC115 : NJM4558D (16012500)
 - IC116 : PC353P-V (16131000)
 - IC117, 152 : NJM4558D (16012500)
 - IC118 : NJM4558D (16012500)
 - IC119 : NJM4558D (16012500)
 - IC120 : NJM4558D (16012500)
 - IC121 : NJM4558D (16012500)
 - IC122 : NJM4558D (16012500)
 - IC123 : NJM4558D (16012500)
 - IC124 : NJM4558D (16012500)
 - IC125 : NJM4558D (16012500)
 - IC126 : NJM4558D (16012500)
 - IC127 : NJM4558D (16012500)
 - IC128 : NJM4558D (16012500)
 - IC129 : NJM4558D (16012500)
 - IC130 : NJM4558D (16012500)
 - IC131 : NJM4558D (16012500)
 - IC132 : NJM4558D (16012500)
 - IC133 : NJM4558D (16012500)
 - IC134 : NJM4558D (16012500)
 - IC135 : NJM4558D (16012500)
 - IC136 : NJM4558D (16012500)
 - IC137 : NJM4558D (16012500)
 - IC138 : NJM4558D (16012500)
 - IC139 : NJM4558D (16012500)
 - IC140 : NJM4558D (16012500)
 - IC141 : NJM4558D (16012500)
 - IC142 : NJM4558D (16012500)
 - IC143 : NJM4558D (16012500)
 - IC144 : NJM4558D (16012500)
 - IC145 : NJM4558D (16012500)
 - IC146 : NJM4558D (16012500)
 - IC147 : NJM4558D (16012500)
 - IC148 : NJM4558D (16012500)
 - IC149 : NJM4558D (16012500)
 - IC150 : NJM4558D (16012500)
 - IC151 : NJM4558D (16012500)
 - IC152 : NJM4558D (16012500)
 - IC153 : NJM4558D (16012500)
 - IC154 : NJM4558D (16012500)
 - IC155 : NJM4558D (16012500)
 - IC156 : NJM4558D (16012500)
 - IC157 : NJM4558D (16012500)
 - IC158 : NJM4558D (16012500)
 - IC159 : NJM4558D (16012500)
 - IC160 : NJM4558D (16012500)
 - IC161 : NJM4558D (16012500)
 - IC162 : NJM4558D (16012500)
 - IC163 : NJM4558D (16012500)
 - IC164 : NJM4558D (16012500)
 - IC165 : NJM4558D (16012500)
 - IC166 : NJM4558D (16012500)
 - IC167 : NJM4558D (16012500)
 - IC168 : NJM4558D (16012500)
 - IC169 : NJM4558D (16012500)
 - IC170 : NJM4558D (16012500)
 - IC171 : NJM4558D (16012500)
 - IC172 : NJM4558D (16012500)
 - IC173 : NJM4558D (16012500)
 - IC174 : NJM4558D (16012500)
 - IC175 : NJM4558D (16012500)
 - IC176 : NJM4558D (16012500)
 - IC177 : NJM4558D (16012500)
 - IC178 : NJM4558D (16012500)
 - IC179 : NJM4558D (16012500)
 - IC180 : NJM4558D (16012500)
 - IC181 : NJM4558D (16012500)
 - IC182 : NJM4558D (16012500)
 - IC183 : NJM4558D (16012500)
 - IC184 : NJM4558D (16012500)
 - IC185 : NJM4558D (16012500)
 - IC186 : NJM4558D (16012500)
 - IC187 : NJM4558D (16012500)
 - IC188 : NJM4558D (16012500)
 - IC189 : NJM4558D (16012500)
 - IC190 : NJM4558D (16012500)
 - IC191 : NJM4558D (16012500)
 - IC192 : NJM4558D (16012500)
 - IC193 : NJM4558D (16012500)
 - IC194 : NJM4558D (16012500)
 - IC195 : NJM4558D (16012500)
 - IC196 : NJM4558D (16012500)
 - IC197 : NJM4558D (16012500)
 - IC198 : NJM4558D (16012500)
 - IC199 : NJM4558D (16012500)
 - IC200 : NJM4558D (16012500)
 - BU Circuit Board
 - IC301-304 : NJM4558BW (16001390)
 - VR20 : 10k x 2
 - VR203, 305, 307 : 10k x 2
 - VR202 : 10k x 2
 - VR209 : 10k x 2
 - VR208 : 10k
 - SK001 : SU12 2
 - SK002 : SU14 2
 - MT Circuit Board
 - IC401 : IR2E19 (16136600)
 - D401-408 : SK-25-J
 - D409, 410 : LT92300
 - CN Circuit Board
 - XL601, 602 : XLB-3-31 PCV
 - XL603, 604 : XLB-3-32 PCV
 - Power Supply Circuit Board
 - Q1 : 2SC2555 (J, L, C)
 - Q2 : 2SD1077 (G, M, D)
 - Q3 : 2SC2554
 - D1 : BPO09 (J, L, C)
 - D2 : BPO09 (J, L, C)
 - D3 : BPO09 (J, L, C)
 - D4, 5, 13 : 1S581
 - D6, 7 : 1S582, 1S584
 - D8, 10 : SK2008
 - D11 : 1S1555 (J, L, C)
 - D12 : BPO09 (J, M, D)
 - ZD1 : R05, 2BR2
 - VR1 : 81k
 - L1 : 20mH
 - L3 : 50mH
 - L4, 5 : 150μH
 - L6 : 20μH
 - PC1, 2 : PC-817 (J, L, C)
 - PC-511 (G, M, D)
 - PC-512 (G, M, D)
 - PC-513 (G, M, D)
 - PC-514 (G, M, D)
 - PC-515 (G, M, D)
 - PC-516 (G, M, D)
 - PC-517 (G, M, D)
 - PC-518 (G, M, D)
 - PC-519 (G, M, D)
 - PC-520 (G, M, D)
 - PC-521 (G, M, D)
 - PC-522 (G, M, D)
 - PC-523 (G, M, D)
 - PC-524 (G, M, D)
 - PC-525 (G, M, D)
 - PC-526 (G, M, D)
 - PC-527 (G, M, D)
 - PC-528 (G, M, D)
 - PC-529 (G, M, D)
 - PC-530 (G, M, D)
 - PC-531 (G, M, D)
 - PC-532 (G, M, D)
 - PC-533 (G, M, D)
 - PC-534 (G, M, D)
 - PC-535 (G, M, D)
 - PC-536 (G, M, D)
 - PC-537 (G, M, D)
 - PC-538 (G, M, D)
 - PC-539 (G, M, D)
 - PC-540 (G, M, D)
 - PC-541 (G, M, D)
 - PC-542 (G, M, D)
 - PC-543 (G, M, D)
 - PC-544 (G, M, D)
 - PC-545 (G, M, D)
 - PC-546 (G, M, D)
 - PC-547 (G, M, D)
 - PC-548 (G, M, D)
 - PC-549 (G, M, D)
 - PC-550 (G, M, D)
 - PC-551 (G, M, D)
 - PC-552 (G, M, D)
 - PC-553 (G, M, D)
 - PC-554 (G, M, D)
 - PC-555 (G, M, D)
 - PC-556 (G, M, D)
 - PC-557 (G, M, D)
 - PC-558 (G, M, D)
 - PC-559 (G, M, D)
 - PC-560 (G, M, D)
 - PC-561 (G, M, D)
 - PC-562 (G, M, D)
 - PC-563 (G, M, D)
 - PC-564 (G, M, D)
 - PC-565 (G, M, D)
 - PC-566 (G, M, D)
 - PC-567 (G, M, D)
 - PC-568 (G, M, D)
 - PC-569 (G, M, D)
 - PC-570 (G, M, D)
 - PC-571 (G, M, D)
 - PC-572 (G, M, D)
 - PC-573 (G, M, D)
 - PC-574 (G, M, D)
 - PC-575 (G, M, D)
 - PC-576 (G, M, D)
 - PC-577 (G, M, D)
 - PC-578 (G, M, D)
 - PC-579 (G, M, D)
 - PC-580 (G, M, D)
 - PC-581 (G, M, D)
 - PC-582 (G, M, D)
 - PC-583 (G, M, D)
 - PC-584 (G, M, D)
 - PC-585 (G, M, D)
 - PC-586 (G, M, D)
 - PC-587 (G, M, D)
 - PC-588 (G, M, D)
 - PC-589 (G, M, D)
 - PC-590 (G, M, D)
 - PC-591 (G, M, D)
 - PC-592 (G, M, D)
 - PC-593 (G, M, D)
 - PC-594 (G, M, D)
 - PC-595 (G, M, D)
 - PC-596 (G, M, D)
 - PC-597 (G, M, D)
 - PC-598 (G, M, D)
 - PC-599 (G, M, D)
 - PC-600 (G, M, D)

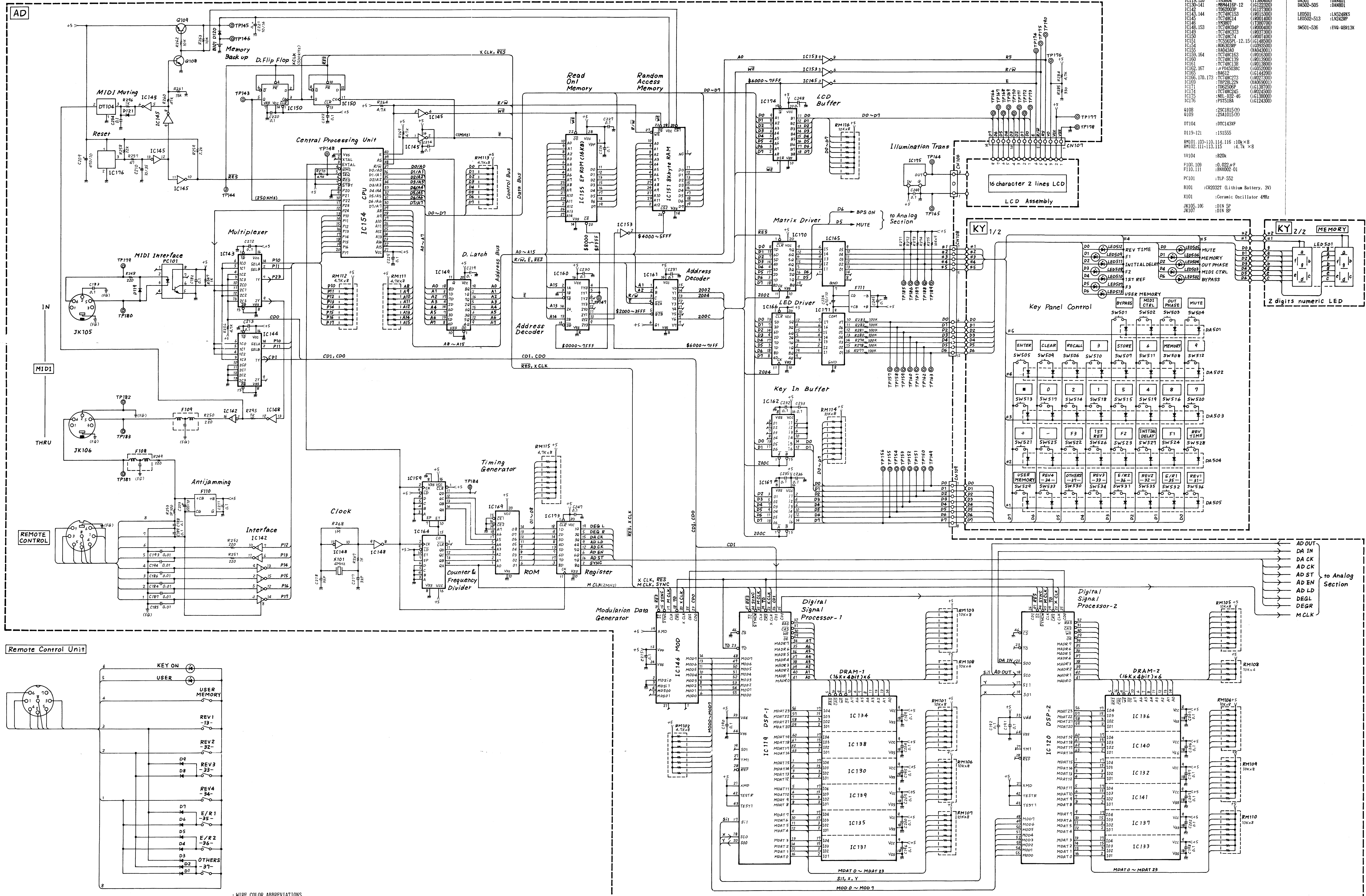


Japanese	1.5A	250V
U.S., Canadian	2A	250V
General and W. German	1.25A	250V

- WIRE COLOR ABBREVIATIONS
- BL-Blue
 - BR-Brown
 - GR-Green
 - OR-Orange
 - PK-Pink
 - RE-Red
 - SB-Sky Blue
 - VI-Violet
 - WH-White
 - YE-Yellow

*Schematic diagram subjects to change without notice.

DIGITAL SECTION



Notes)

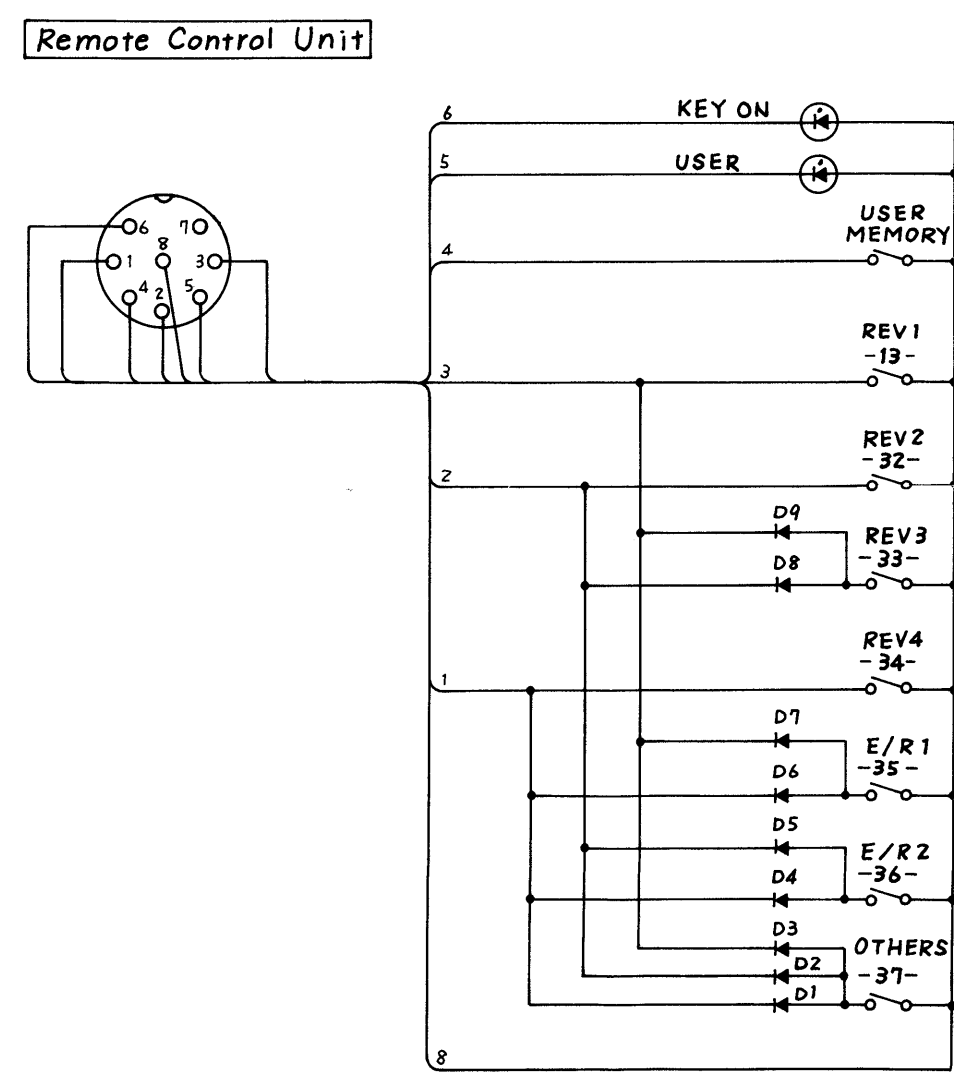
-AD Circuit Board

IC119, 120	: 1Y8804	(1390400)
IC130-141	: 88M410P-12	(1612220)
IC142, 143	: 106200P	(1612730)
IC143, 144	: 1CT48C13	(1801300)
IC145	: 1CT48C14	(1800140)
IC146	: 1Y8807	(1390100)
IC146, 153	: 1CT48C24P	(1800400)
IC147	: 1CT48C25	(1800500)
IC150	: 1CT48C74	(1800740)
IC151	: 1Y8809P-12, 15	(1614850)
IC154	: 1Y8809P	(1608500)
IC155	: 1Y8809P	(1608500)
IC156, 164	: 1Y8809P	(1608500)
IC160	: 1CT48C136	(1801360)
IC161	: 1CT48C136	(1801360)
IC162, 167	: #P45038C	(1603200)
IC163	: 1Y8812	(1614400)
IC166, 170, 173	: 1CT48C273	(1802730)
IC169	: 1Y8812	(1614400)
IC171	: 1Y8809P	(1608500)
IC174	: 1CT48C245	(1802450)
IC175	: 1Y8809P	(1608500)
IC176	: 1Y8809P	(1608500)

-KY Circuit Board

DA501	: 1Y8804	(1390400)
DA502-505	: 1Y8804	(1390400)
LE501	: 1Y8804	(1390400)
LE502-513	: 1Y8804	(1390400)
SK501-536	: 1Y8804	(1390400)

g108 : 2SC1815(Y)
g109 : 2SA1015(X)
07104 : DTC143XP
0119-121 : 1S1555
RM101, 102-110, 114, 116 : 10k x 8
RM102, 111-113, 115 : 4.7k x 8
VW104 : #20k
F100, 109 : 0.022 uF
F110, 111 : 100nF
PC101 : TLP-552
R101 : CR2022T (Lithium Battery, 3V)
X101 : Ceramic Oscillator 4MHz
JK105, 106 : DIN 5P
JK105 : DIN 8P



WIRE COLOR ABBREVIATIONS
 BE-Blue BK-Pink
 BL-Black RE-Red
 BR-Brown SB-Sky Blue
 GG-Grass Green VI-Violet
 GR-Green WH-White
 GT-Gray YL-Yellow
 OR-Orange

*Schematic diagram subjects to change without notice.

IC PIN ASSIGNMENTS AND FUNCTIONS

YM3804 Digital Signal Processor (DSP)

Pin No.	Name	I/O	Function	Pin No.	Name	I/O	Function
1	MDAT 15	I/O	I/O pins connected to memory data bus	64	V S S	—	Ground (0 V)
2	MDAT 14	I/O		63	MDAT 16	I/O	I/O pins connected to memory's data bus
3	MDAT 13	I/O		62	MDAT 17	I/O	
4	MDAT 12	I/O		61	MDAT 18	I/O	
5	MDAT 11	I/O		60	MDAT 19	I/O	
6	MDAT 10	I/O		69	MDAT 20	I/O	
7	MDAT 9	I/O	68	MDAT 21	I/O	Inputs to accept modulation signal from MOD	
8	MDAT 8	I/O	67	MDAT 22	I/O		
9	MDAT 7	I/O	66	MDAT 23	I/O		
10	MDAT 6	I/O	65	M O D 0	I		
11	MDAT 5	I/O	64	M O D 1	I		
12	MDAT 4	I/O	63	M O D 2	I		
13	MDAT 3	I/O	62	M O D 3	I	Serial data output	
14	MDAT 2	I/O	61	M O D 4	I		
15	MDAT 1	I/O	60	M O D 5	I		
16	MDAT 0	I/O	49	M O D 6	I		
17	S I 1	I	48	M O D 7	I		
18	S I 0	I	47	$\overline{T C}$	I		Initial Clear signal input
19	S O 1	O	46	$\overline{C S}$	I	Chip Select input	
20	S O 0	O	45	C L K	I	Master Clock input	
21	X M D	I	44	SYNCW	I	System sync. signal input	
22	X C L K	I	43	TEST 1	I	Chip test input (+5 V)	
23	$\overline{T O}$	O	42	TEST R	I		
24	$\overline{C R S}$	I	41	MADR 0	O	Outputs connected to memory's address bus	
25	C D O	O	40	MADR 1	O		
26	C D I	I	39	MADR 2	O		
27	T M 1	O	38	MADR 3	O		
28	$\overline{R E F}$	O	37	MADR 4	O		
29	$\overline{O E}$	O	36	MADR 5	O		
30	$\overline{W E}$	O	35	MADR 6	O		
31	$\overline{C A S}$	O	34	MADR 7	O		
32	$\overline{R A S}$	O	33	V D D	—	Power supply input (+5 V)	

YM3807 Modulation Data Generator (MOD)

Pin No.	Name	I/O	Function	Pin No.	Name	I/O	Function
1	NC	I	Initial Clear signal input (presently not used)	24	VSS	—	GND
2	TEST 0	I	} Chip test inputs	23	MDSO 1	O	} Serial waveform data outputs
3	TEST 1	I		22	MDSO 0	O	
4	MD 7	O	} 8-bit parallel multiplexed outputs for waveform data	21	MDSI 1	I	} Data inputs to MOD's internal adder
5	MD 6	O		20	MDSI 0	I	
6	MD 5	O		19	CDI	I	Serial interface input
7	MD 4	O		18	CDO	O	Serial data output used to connect serial interfaces in cascade
8	MD 3	O		17	XCLK	I	Data send/receive clock input for asynchronous mode
9	MD 2	O	16	XMD	I	Synchronous (L)/asynchronous (H) select input for serial interfaces CDI and CDO	
10	MD 1	O	15	$\overline{\text{CRS}}$	I	Reset input to reset the serial input CDI data counter	
11	MD 0	O	14	SYNCW	I	System sync. signal input	
12	VDD	—	+5V	13	CLK	I	Master clock input

MB81416-12 Dynamic RAM (DRAM)

Pin No.	Name	I/O	Function	Pin No.	Name	I/O	Function
1	$\overline{\text{OE}}$	I	Control signal input	18	VSS	I/O	GND
2	IO 1	I/O	} Data bus I/O	17	IO 4	—	Data bus I/O
3	IO 2	I/O		16	$\overline{\text{CAS}}$	I/O	Control signal input
4	$\overline{\text{WE}}$	I	} Control signal inputs	15	IO 3	I	Data bus I/O
5	$\overline{\text{RAS}}$	I		14	A 0		} Address bus inputs
6	A 6	I		13	A 1	I	
7	A 5	I	12	A 2	I		
8	A 4	I	11	A 3	I		
9	VCC	—	+5V	10	A 7	I	

REV7

[Digital Reverberator] Date : 4/23, 1985
 Model REV7 MIDI Implementation Chart Version : 1.0

Function ...	Recognized	Remarks
Basic Default	1 - 16	memorized
Channel Changed	1 - 16	
Mode Default	OMNI OFF/OMNI ON	memorized
Mode Messages	x	
Mode Altered	x	
Note	x	
Number : True voice	x	
Velocity Note ON	x	
Velocity Note OFF	x	
After Key's	x	
Touch Ch's	x	
Pitch Bender	x	
	x	
Control		
Change		
Prog	o 0 - 127	X1
Change : True #		
System Exclusive	x	
System : Song Pos	x	
System : Song Sel	x	
Common : Tune	x	
System : Clock	x	
Real Time : Commands	x	
Aux : Local ON/OFF	x	
Aux : All Notes OFF	x	
Mes- : Active Sense	x	
sages:Reset	x	
Notes	X1 For program 1 - 128, memory #1 - #90 is selected.	

REV7

A

B

C

D

E

REV7

PARTS LIST

OVERALL ASSEMBLY

1

2

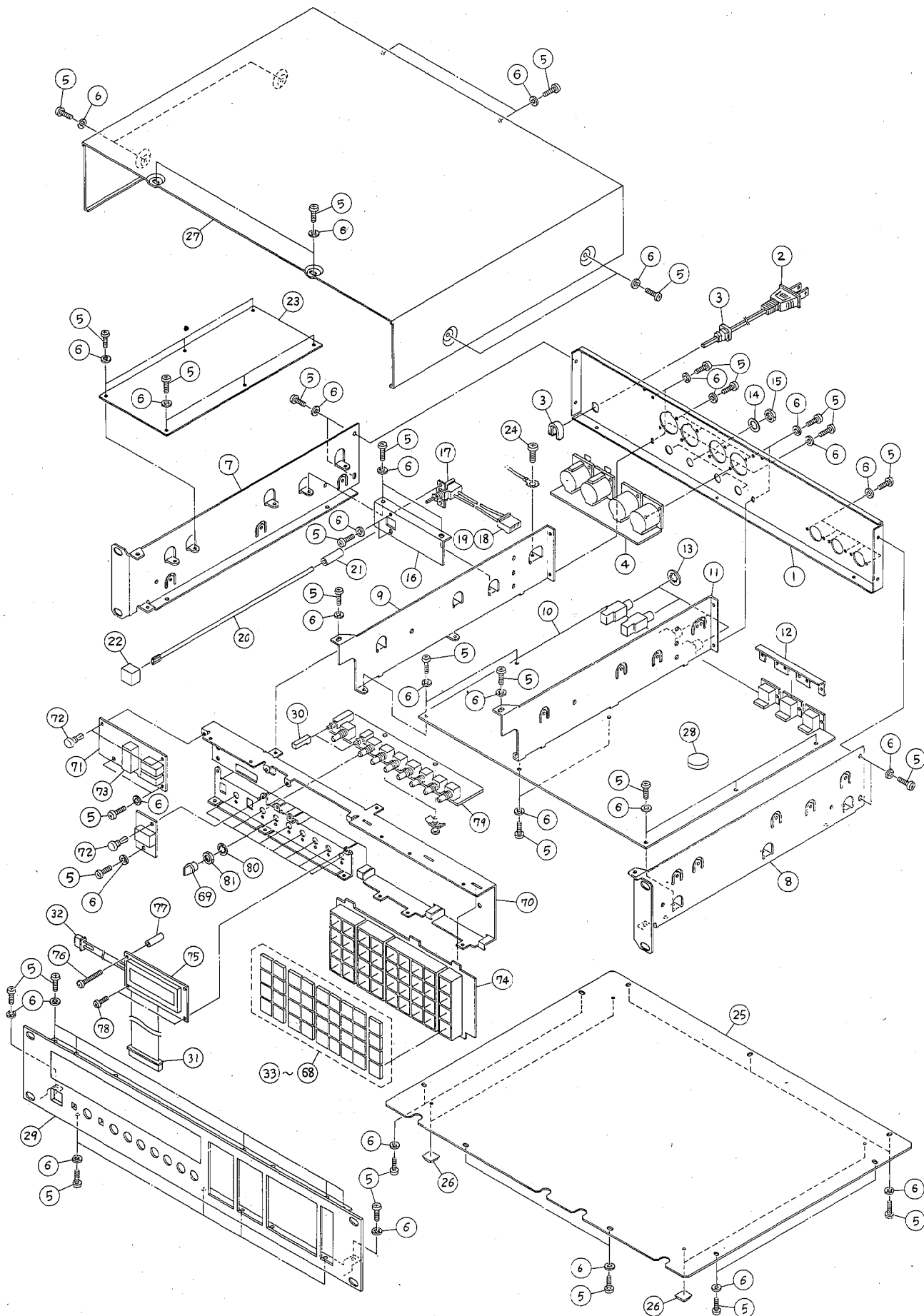
3

4

5

6

7



Ref. No.	Part No.	Description	部 品 名		Remarks	Common Model	Markets	ランク
※ 1	VA 02 73 00	Rear Panel			リ ア パ ネ ル		J	
※ "	VA 02 74 00	"			"		U,C	
※ "	VA 02 75 00	"			"		G,WG	
2	MG 00 18 20	Power Cord	7A	3.0m	電 源 コ ー ド		J	
"	MG 00 02 70	"	10A	3.3m	"		U,C	
"	MG 00 04 50	"	6A	3.5m	"		G,WG	
3	CB 80 68 50	Cord Stopper	SR-6N3-4		コ ー ド ス ト ッ パ ー		U,C	
"	CB 03 28 40	"	SR-5N-4		"		G,WG	
※ 4	VA 03 89 00	CN Circuit Board	#92770		C N シ ー ト	Refer to Page 39		
5	ED 33 00 86	Bind Head Screw	3x8	BI	バ イ ン ド 小 ネ ジ			
6	EV 41 30 39	Toothed Lock Washer	A3	BI	歯 付 座 金			
※ 7	VA 02 84 00	Side Cover	Left		サ イ ド カ バ ー			
※ 8	VA 02 85 00	"	Right		"			
※ 9	VA 02 76 00	Stay(A)			ス テ ー (A)			
※ 10	VA 03 85 00	AD Circuit Board	#92570		A D シ ー ト	Refer to Page 37		
※ 11	VA 02 77 00	Stay(B)			ス テ ー (B)			
※ 12	VA 04 71 00	Holder, DIN Socket			D I N ソ ケ ッ ト ホ ル ダ ー			
13	EV 41 00 96	Toothed Lock Washer	A9S	Ye	歯 付 座 金			
14	LX 20 00 10	Plain Washer	9S	Cr	特 殊 平 座 金			
15	LX 20 00 60	Hexagonal Nut	9S	Ni	特 殊 六 角 ナ ッ ト			
※ 16	VA 04 70 00	Angle Bracket			P. SW ア ン グ ル			
17	KA 80 36 10	Power Switch			電 源 ス イ ッ チ			
18	LB 00 80 30	Housing	3P		ス ポ ッ ク ス ハ ウ ジ ン グ	5196-03		
19	LB 10 10 00	Terminal			ス ポ ッ ク ス タ ー ミ ナ ル	5194T		
※ 20	VA 04 69 00	Rod			ロ ッ ド			
※ 21	VA 02 97 00	Rod Holder			ロ ッ ド ホ ル ダ ー			
22	CB 81 23 80	Push Button			プ ッ シ ュ ボ タ ン			
※ 23	NP 82 30 00	Power Supply Unit			電 源 ユ ニ ッ ト	Refer to Page 39	J	
※ "	NP 82 50 00	"			"		U	
※ "	NP 82 60 00	"			"		C	
※ "	NP 82 40 00	"			"		G,WG	
24	ED 34 00 66	Bind Head Screw	4x6	BI	バ イ ン ド 小 ネ ジ			
※ 25	VA 02 80 00	Bottom Cover			ボ ト ム カ バ ー			
26	CB 83 43 50	Foot			脚			
※ 27	VA 02 86 00	Top Cover			ト ッ プ カ バ ー			
28	PC 90 00 40	Lithium Battery,3V	CR2032T		リ チ ウ ム 電 池			
※ 29	NX 80 16 40	Front Panel Assembly			フ ロ ン ト パ ネ ル Ass'y			
※ 30	VA 02 94 00	Knob			プ ッ シ ュ ス イ ッ チ ノ ブ	MONO/STEREO,EQ		
※ 31	VA 02 38 00	Wire Harness			線 材 Ass'y			
※ 32	VA 03 53 00	"	L=300	2P	"			
※ 33	VA 00 07 00	Key Top			キ ー ト ッ プ	REV1 -31-		
※ 34	VA 04 32 00	"			"	REV2 -32-		
※ 35	VA 04 33 00	"			"	REV3 -33-		
※ 36	VA 04 34 00	"			"	REV4 -34-		
※ 37	VA 04 35 00	"			"	E/R1 -35-		
※ 38	VA 04 36 00	"			"	E/R2 -36-		
※ 39	VA 04 37 00	"			"	OTHERS -37-		
※ 40	VA 04 38 00	"			"	USER MEMORY		
※ 41	VA 04 39 00	"			"	REV TIME		
※ 42	VA 04 40 00	"			"	INITIAL DELAY		
※ 43	VA 04 41 00	"			"	1ST REF		
※ 44	VA 00 09 00	"			"	-		
※ 45	VA 04 42 00	"			"	F1		

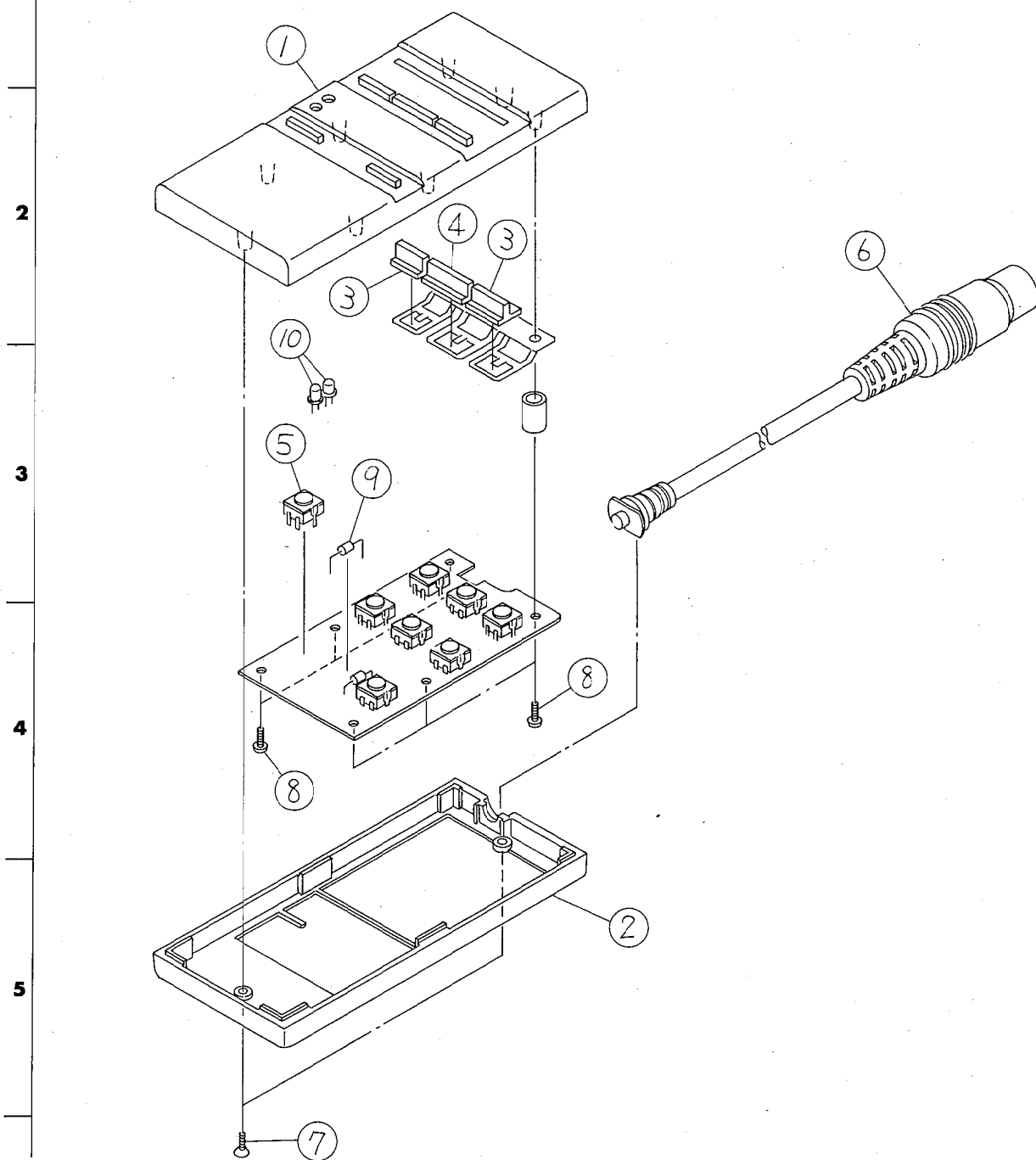
※New Parts (新規部品)

REV7

Ref. No.	Part No.	Description	部 品 名	Remarks	Common Model	Markets	ランク
※ 46	VA 04 43 00	Key Top	キ ー ト ッ プ	F2			
※ 47	VA 04 44 00	〃	〃	F3			
※ 48	VA 04 47 00	〃	〃	+			
※ 49	VA 00 08 00	〃	〃	7			
※ 50	VA 04 46 00	〃	〃	4			
※ 51	VA 04 48 00	〃	〃	1			
※ 52	VA 04 49 00	〃	〃	0			
※ 53	VA 04 50 00	〃	〃	8			
※ 54	VA 04 51 00	〃	〃	5			
※ 55	VA 04 52 00	〃	〃	2			
※ 56	VA 04 53 00	〃	〃	■			
※ 57	VA 04 54 00	〃	〃	9			
※ 58	VA 04 55 00	〃	〃	6			
※ 59	VA 04 56 00	〃	〃	3			
※ 60	VA 04 57 00	〃	〃	CLEAR			
※ 61	VA 04 58 00	〃	〃	MEMORY			
※ 62	VA 04 59 00	〃	〃	STORE			
※ 63	VA 04 60 00	〃	〃	RECALL			
※ 64	VA 04 61 00	〃	〃	ENTER			
※ 65	VA 04 62 00	〃	〃	MUTE			
※ 66	VA 04 63 00	〃	〃	OUT PHASE			
※ 67	VA 04 64 00	〃	〃	MIDI CTRL			
※ 68	VA 04 66 00	〃	〃	BYPASS			
※ 69	VA 02 93 00	Knob	ツ マ ミ				
※ 70	VA 02 83 00	Front Sub Panel	フ ロ ント サ ブ パ ネ ル				
※ 71	VA 03 88 00	MT Circuit Board	#92590	M T シ ー ト	Refer to Page 39		
※ 72	CB 06 88 80	Plastic Rivet		プ ラ ス チ ッ ク リ ベ ッ ト			
※ 73	VA 06 17 00	LED Cover		L E D カ バ ー			
※ 74	VA 03 87 00	KY Circuit Board	#92850	K Y シ ー ト	Refer to Page 38		
※ 75	VA 02 63 00	LCD Module		L C D モ ジ ュ ー ル			
※ 76	EA 02 62 56	Pan Head Screw	2.6×25 Ye	ナ ベ 小 ネ ジ			
※ 77	VA 02 98 00	Spacer		ス ペ ー サ ー			
※ 78	EA 32 60 56	Pan Head Screw	2.6×5 Bl	ナ ベ 小 ネ ジ			
※ 79	VA 03 86 00	EQ Circuit Board	#92580	E Q シ ー ト	Refer to Page 38		
※ 80	EV 41 00 76	Toothed Lock Washer	A7S Ye	歯 付 座 金			
※ 81	EZ 30 70 10	Hexagonal Nut	7S Bl	特 殊 六 角 ナ ッ ト			

※New Parts (新規部品)

1 ■ REMOTE CONTROL UNIT



Ref. No.	Part No.	Description	部品名		Remarks	Common Model	Markets	ランク
※	VA 06 43 00	Remote Control Unit			リモートコントローラー			
※	1 XX 80 71 20	Upper Case			上 ケ ー ス			
※	2 XX 80 71 30	Bottom Case			下 ケ ー ス			
※	3 XX 80 71 40	Key Top A	S		キ ー ト ッ プ A			
※	4 XX 80 71 50	Key Top B	L		キ ー ト ッ プ B	REV2 E/R1 -32-, -35-		
※	5 XX 80 71 60	MT Switch			M T ス イ ッ チ			
※	6 XX 80 71 10	8P Plug Cord			8P プ ラ グ コ ー ド			
	7 EM 32 61 06	Oval Head Tapping Screw	2.6×10	Bl	丸 皿 タ ッ ピ ン グ ネ ジ			
	8 Ei 02 00 60	Bind Head Tapping Screw	2×6	Ye	バ イ ン ド タ ッ ピ ン グ ネ ジ			
	9 iF 00 00 40	Diode	1S1555		ダ イ オ ー ド			
	10 iF 00 79 50	LED	TLR226		L E D			

■ CIRCUIT BOARDS AND ELECTRICAL PARTS

Ref. No.	Part No.	Description	部 品 名	Remarks	Common Model	Markets	ランク
※	VA 03 85 00	AD Circuit Board	#92570	A D シ ー ト			
	Fi 36 32 20	Electro Magnetic Interference	0.0022 μ F	エ ミ フ ィ ル			
	Fi 36 42 20	"	0.022 μ F 50V	"			
	GE 90 13 40	"	BNX002-01	"			
	HZ 00 47 40	Module Resistor	4.7k Ω ×8	モ ジ ュ ー ル 抵 抗	RMLS8-472K		
	HZ 00 46 60	"	10k Ω ×8	"	RMLS8-103J		
	iA 10 15 21	Transistor	2SA1015 (Y)	ト ラ ン ジ ス タ			
	iC 18 15 20	"	2SC1815 (Y)	"			
	iZ 00 02 00	Dual Transistor	2SC1815 (0,Y)	デュアルトランジスタ			
※	VA 02 46 00	Digital Transistor	DTC143×F	デジタルトランジスタ	DTC143XF		
	iF 00 00 40	Diode	1S1555	ダ イ オ ー ド			
	iH 00 07 20	"	W03B	"			
	iF 00 21 40	Zener Diode	RD5.6EB2	ツェナーダイオード			
	iG 09 35 00	IC	HD6303RP	I C	8 bit CPU		
	iG 05 20 00	"	μ PD4503BC	"	Hex 3-stage Buffer		
	iG 10 45 00	"	HD14549BP	"	Register		
	iG 10 46 00	"	HD14559BP	"	Register		
※	XA 01 30 01	"	M5238P	"	Operational Amp.		
	iG 04 25 00	"	NJM4556D	"	Operational Amp.		
	iG 00 13 90	"	NJM4558DV	"	Dual Operational Amp.		
	iG 04 00 00	"	NJM4560ED	"	"		
	iG 14 74 00	"	NJM7815A	"	15V 1A Regulator		
	iG 14 75 00	"	NJM7915A	"	15V 1A Regulator		
	iR 00 04 00	"	TC74HC04P	"	Hex Inverter		
	iR 00 14 00	"	TC74HC14	"	Hex Schmitt Inverter		
	iR 00 74 00	"	TC74HC74	"	Dual D F-Flop		
※	iR 01 23 00	"	TC74HC123	"	Multivibrator		
	iR 01 38 00	"	TC74HC138	"	3-8 Line Decoder		
	iR 01 39 00	"	TC74HC139	"	Dual 2-4 Line Decoder		
	iR 01 53 00	"	TC74HC153	"	Dual 4-ch Multiplexer		
	iR 01 63 00	"	TC74HC163	"	Sync. BIN. Counter		
	iR 01 66 00	"	TC74HC166	"	8 bit Shift Register		
	iR 02 45 00	"	TC74HC245	"	8 bus Transceiver		
	iR 02 73 00	"	TC74HC273	"	Octal D F-Flop		
	iR 03 73 00	"	TC74HC373	"	Octal D Latch		
※	iR 05 95 00	"	TC74HC595	"	8 bit Shift Register		
※	iR 06 88 50	"	SN74HC688N	"	8 bit Equality Comparator		
	iG 05 51 00	"	TC4053BP	"	Multiplexer/Demultiplexer		
	iG 14 85 00	"	TC5565PL-12, 15	"	64K S-RAM		
	iG 12 73 00	"	TD62003P	"	Darlington Driver		
	iG 13 87 00	"	TD62506P	"	Common Collector		
※	XA 01 40 01	"	PCM53JP-I	"	A/D Converter		
	iG 11 91 00	"	PCM53JP-V	"	D/A Converter		
※	iG 14 42 00	"	BA612	"	Transistor Array		
※	XA 06 90 01	"	TBP28L22N	"	256K BP-ROM		
	iG 12 23 20	"	MBM4416P-12	"	64K D-RAM		
※	XA 04 30 01	"	XA043A0	"	EP ROM V1.0		
	iG 13 80 00	"	NEL-D32-46	"	Inverter		
	iG 12 43 00	"	PST518A	"	Reset		
	iG 08 67 00	"	μ PC319C	"	Comparater		
※	IT 38 04 00	"	YM3804	"	DSP		
※	IT 38 07 00	"	YM3807	"	MOD		
	iK 00 04 70	Photo Conductor	TLP-552	フ ォ ト カ プ ラ ー			

※New Parts (新規部品)

Ref. No.	Part No.	Description	部 品 名	Remarks	Common Model	Markets	ランク
※	VA 02:42:00	Low Pass Filter	PFB-4	ローパスフィルター			
※	VA 02:47:00	Trimmer Potentiometer	B1kΩ	ソリッドボリューム			
※	VA 02:49:00	"	B20kΩ	"			
	KA 40:12:70	Slide Switch	SSS-212	スライドスイッチ			
	KC 00:19:00	Relay	RY-12W	リ レ ー			
	PC 90:00:40	Lithium Battery,3V	CR2032T	リチウム電池			
	QU 00:48:00	Ceramic Oscillator	4MHz	セラロック			
	LB 30:20:70	Phone Jack	Stereo	ホーンジャック	INPUT,OUTPUT		
	LB 50:05:90	DIN Socket	5P	D I N ソ ケ ッ ト	MIDI IN,THRU		
	LB 60:58:20	"	8P	"	REMOTE CONTROL		
※	VA 02:45:00	IC Socket	64P	I C ソ ケ ッ ト			
	LB 60:39:00	"	24P	"			
	LB 60:60:50	"	28P	"			
	LB 91:80:30	Connector Base Pin	3P	コネクタベースピン	XH		
	LB 91:80:60	"	6P	"	"		
	LB 91:80:70	"	7P	"	"		
	LB 91:80:80	"	8P	"	"		
	LB 91:81:20	"	12P	"	"		
	LB 91:81:40	"	14P	"	"		
	CB 10:15:80	Connector Housing	7P	コネクタハウジング			
	BB 00:58:20	Contact Pin		コンタクトピン			
※	VA 04:68:00	Suport Pin		サポ ー ト ピ ン			
	ED 33:00:66	Bind Head Screw	3×6	バインド小ネジ			
	EV 10:20:36	Hexagonal Nut	M3	六 角 ナ ッ ト			
※	VA 03:86:00	EQ Circuit Board	#92580	E Q シ ー ト			
	iG 00:13:90	IC	NJM4558DV	I C	Dual Operational Amp.		
※	VA 02:50:00	Rotary Potentiometer	B10kΩ×2	ロータリーボリューム	MIXING		
※	VA 02:52:00	"	A10kΩ×2	"	INPUT LEVEL		
※	VA 02:53:00	"	C100kΩ×2	"	EQ FRED		
※	VA 02:54:00	"	W20kΩ	"	EQ LEVEL		
※	VA 02:48:00	Trimmer Potentiometer	B10kΩ	ソリッドボリューム			
※	VA 02:55:00	Push Switch		プッシュスイッチ	EQ ON/OFF		
※	VA 02:56:00	"		"	MONO/STEREO		
	LB 91:80:60	Connector Base Pin	6P	コネクタベースピン	XH		
	LB 91:80:80	"	8P	"	"		
	LB 91:80:90	"	9P	"	"		
	CB 10:15:80	Connector Housing	7P	コネクタハウジング	"		
	BB 00:58:20	Contact Pin		コンタクトピン			
※	VA 03:87:00	KY Circuit Board	#92850	K Y シ ー ト			
	iF 00:76:40	Diode Array	DAN401	ダイオードアレイ			
※	VA 02:67:00	"	DAN801	"			
※	VA 26:23:00	LED	LN242RP	L E D			
※	VA 02:60:00	LED Display	7 Segment	L E D デ ィ ス プ レ イ	LN524RKS		
※	VA 30:27:00	LED Cover		L E D カ バ ー			
	KA 90:65:30	Tact Switch	EVO-Q8R13K	タクトスイッチ			
※	VA 00:10:00	Switch Escutcheon		スイッチエスカッション			
	CB 10:15:90	Connector Housing	8P	コネクタハウジング	XH		
	CB 10:16:30	"	12P	"	"		
	BB 00:58:20	Contact Pin		コンタクトピン			
	LA 00:36:90	Ground Lug	4φ	歯付アースラグ			

※ New Parts (新規部品)

Ref. No.	Part No.	Description	部 品 名	Remarks	Common Model	Markets	ランク
※	VA 03 88 00	MT Circuit Board	#92590	M T シ ー ト			
※	VA 02 61 00	LED	LT9230D	L E D	MONO,EQ ON		
※	VA 03 91 00	LED Display	SX-25-J,8 Seg.	L E Dディスプレイ	INPUT LEVEL METER		
	iG 13 66 00	IC	IR2E19	I C	LED Driver		
※	VA 02 90 00	LED Spacer		L E Dスパーサー			
	CB 10 15 70	Connector Housing	6P	コネクタハウジング	XH		
	BB 00 58 20	Contact Pin		コ ン タ ク ト ピ ン			
※	VA 03 89 00	CN Circuit Board	#92770	C N シ ー ト			
	LB 30 23 20	Connector	XLB-3-31-PCV	キャノンソケット	INPUT		
	LB 30 23 40	"	XLB-3-32-PCV	"	OUTPUT		
※	NP 82 30 00	Power Supply Unit		電 源 ユ ニ ッ ト		J	
※	NP 82 50 00	"		"		U	
※	NP 82 60 00	"		"		C	
※	NP 82 40 00	"		"		G,WG	
	L1 GX 80 01 00	Choke Coil	20MH	チ ョ ー ク コ イ ル	NFR05E203A		
※	L2 GX 80 01 90	"	8MH	"	PLA8021A		
	L4,5 XX 80 42 30	"	150 μ H	"	FL9H151K-30		
※	L6 GX 80 01 80	"	20 μ H	"	FL7H200K-35		
	VR1 HT 57 05 40	Trimmer Potentiometer	B1k Ω	ソリッドボリューム	RVF08P		
	Q1 iC 25 55 00	Transistor	2SC2555	ト ラ ン ジ ス タ		J,U,C	
	" iC 27 92 00	"	2SC2792	"		G,WG	
※	Q2 iX 80 13 70	"	2SD1207	"			
	Q3 iC 26 34 00	"	2SC2634(R,S,T)	"			
※	D1 iX 80 13 80	Diode	DF04M	ダ イ オ ー ド		J,U,C	
※	" iX 80 13 90	"	DF06M	"		G,WG	
	D2 iH 00 17 40	"	ERB4406	"			
	D3 iX 55 16 00	"	ERB4302	"			
	D4,5 iF 00 13 80	"	1SS84	"			
	D6,7 iX 55 15 90	"	15DF2	"			
※	D8 iX 80 14 00	"	S2K20H	"			
	D9 iH 00 17 40	"	ERB4406	"			
※	D10 iX 80 14 00	"	S2K20H	"			
	D11 iF 00 00 40	"	1S1555	"		J,U,C	
※	D12 iX 80 13 90	"	DF06M	"		G,WG	
	ZD1 iF 00 14 70	Zener Diode	RD6.2EB2	ツェナーダイオード			
	PC1,2 iK 00 04 80	Photocoupler	PC-817	フ ォ ト カ プ ラ ー		J,U,C	
	" iK 00 04 90	"	PC-511	"		G,WG	
※	FB1,2 BX 80 00 40	Ferrite Bead		フェライトビーズ	BP53BH3510090BAA		
	F1 KB 00 03 40	Fuse	1.5A 250V	ヒ ュ ー ズ		J	
	" KB 00 03 50	"	2.0A 250V	"		U,C	
	" KB 00 06 80	"	1.25A 250V	"		G,WG	
※	T1 GX 80 01 60	Power Transformer	TYA010	電 源 ト ラ ン ス		J,U,C	
※	" GX 80 01 70	"	TYA011	"		G,WG	
	LB 20 15 30	Fuse Clip		ヒューズホルダーピン			
	EA 23 01 06	Pan Head Screw	3 \times 10	ナ ベ 小 ネ ジ			
	EV 12 03 00	Hexagonal Nut	M3	六 角 ナ ッ ト			
	CN1 VA 03 03 00	Connector Base Pin	3P	コネクタベースピン	XH		
	CN4 VA 03 06 00	"	6P	"	"		
	CN5 VA 03 08 00	"	8P	"	"		

※New Parts (新規部品)