

SPEAKER PROCESSOR

SP 2060

SERVICE MANUAL



■ CONTENTS (目次)

SPECIFICATIONS (総合仕様)	4
DIMENSIONS (寸法図)	7
PANEL LAYOUT (パネルレイアウト)	8
CIRCUIT BOARD LAYOUT (ユニットレイアウト)	9
DISASSEMBLY PROCEDURES (分解手順)	10
LSI PIN DESCRIPTION (LSI端子機能表)	17
IC BLOCK DIAGRAM (ICブロック図)	23
CIRCUIT BOARDS (シート基板図)	26
TEST PROGRAM (テストプログラム)	36/45
INSPECTIONS (検査)	54/57
UPDATING PROGRAM, BOOT, AND COMPONENT DATA (プログラム、ブート、コンポーネントデータのアップデート)	60/64
INITIALIZING (初期化)	68/69
SYSTEM FLOW CHART (電源立ち上げシーケンス)	70/71
DISPLAY MESSAGES (ディスプレイメッセージ)	72/74
OUTPUT LEVEL CHANGE METHOD (出力レベル変更方法)	76
PARTS LIST	
LEVEL DIAGRAM (レベルダイアグラム)	
BLOCK DIAGRAM (ブロックダイアグラム)	
WIRING DIAGRAM (基板結線図)	
CIRCUIT DIAGRAM (回路図)	



ECO-PULP



このサービスマニュアルはエコパルプ
エコパルプ (ECF: 無塩素系漂白パルプ) を使用しています。
This document is printed on chlorine free (ECF) paper.

PA 011826
SP2060: 20060720-249900

 **YAMAHA**
HAMAMATSU, JAPAN

Copyright (c) Yamaha Corporation. All rights reserved.   VIDEO 06.06

IMPORTANT NOTICE

This manual has been provided for the use of authorized Yamaha Retailers and their service personnel. It has been assumed that basic service procedures inherent to the industry, and more specifically Yamaha Products, are already known and understood by the users, and have therefore not been restated.

WARNING: Failure to follow appropriate service and safety procedures when servicing this product may result in personal injury, destruction of expensive components and failure of the product to perform as specified. For these reasons, we advise all Yamaha product owners that all service required should be performed by an authorized Yamaha Retailer or the appointed service representative.

IMPORTANT: This presentation or sale of this manual to any individual or firm does not constitute authorization, certification, recognition of any applicable technical capabilities, or establish a principal-agent relationship of any form.

The data provided is believed to be accurate and applicable to the unit(s) indicated on the cover. The research engineering, and service departments of Yamaha are continually striving to improve Yamaha products. Modifications are, therefore, inevitable and changes in specification are subject to change without notice or obligation to retrofit. Should any discrepancy appear to exist, please contact the distributor's Service Division.

WARNING: Static discharges can destroy expensive components. Discharge any static electricity your body may have accumulated by grounding yourself to the ground bus in the unit (heavy gauge black wires connect to this bus).

IMPORTANT: Turn the unit OFF during disassembly and parts replacement. Recheck all work before you apply power to the unit.

WARNING: CHEMICAL CONTENT NOTICE!

The solder used in the production of this product contains LEAD. In addition, other electrical/electronic and/or plastic (Where applicable) components may also contain traces of chemicals found by the California Health and Welfare Agency (and possibly other entities) to cause cancer and/or birth defects or other reproductive harm.

DO NOT PLACE SOLDER, ELECTRICAL/ELECTRONIC OR PLASTIC COMPONENTS IN YOUR MOUTH FOR ANY REASON WHATSOEVER!

Avoid prolonged, unprotected contact between solder and your skin! When soldering, do not inhale solder fumes or expose eyes to solder/flux vapor!

If you come in contact with solder or components located inside the enclosure of this product, wash your hands before handling food.

IMPORTANT NOTICE FOR THE UNITED KINGDOM


Connecting the Plug and Cord

WARNING: THIS APPARATUS MUST BE EARTHED

IMPORTANT: The wires in this mains lead are coloured in accordance with the following code:

GREEN-AND-YELLOW:	EARTH
BLUE:	NEUTRAL
BROWN:	LIVE


As the colours of the wires in the mains lead of this apparatus may not correspond with the coloured markings identifying the terminals in your plug, proceed as follows:


The wire which is coloured GREEN and YELLOW must be connected to the terminal in the plug which is marked by the letter E or by the safety earth symbol  or colored GREEN or colored GREEN and YELLOW.

The wire which is coloured BLUE must be connected to the terminal which is marked with the letter N or coloured BLACK.

The wire which is coloured BROWN must be connected to the terminal which is marked with the letter L or coloured RED.

■ WARNING

Components having special characteristics are marked  and must be replaced with parts having specification equal to those originally installed.

 印の部品は、安全を維持するために重要な部品です。交換する場合は、安全のために必ず指定の部品をご使用ください。

LITHIUM BATTERY HANDLING

This product uses a lithium battery for memory back-up.

WARNING : Lithium batteries are dangerous because they can be exploded by improper handling. Observe the following precautions when handling or replacing lithium batteries.

- Leave lithium battery replacement to qualified service personnel.
- Always replace with batteries of the same type.
- When installing on the PC board by soldering, solder using the connection terminals provided on the battery cells.
- Never solder directly to the cells. Perform the soldering as quickly as possible.
- Never reverse the battery polarities when installing.
- Do not short the batteries.
- Do not attempt to recharge these batteries.
- Do not disassemble the batteries.
- Never heat batteries or throw them into fire.

ADVARSELI!

Lithiumbatteri—Eksplodingsfare ved fejlagtig håndtering. Udskiftning må kun ske med batteri af samme fabrikat og type. Levér det brugte batteri tilbage til leverandoren.

VARNING

Explosionsfara vid felaktigt batteribyte. Använd samma batterityp eller an ekvivalent typ som rekommenderas av apparatillverkaren. Kassera använt batteri enligt fabrikantens instruktion.

VAROITUS

Paristo voi räjähtää, jos se on virheellisesti asennettu. Vaihda paristo ainoastaan laitevalmistajan suosittelemaan tyyppiin. Hävitä käytetty paristo valmistajan ohjeiden mukaisesti.

The following information complies with Dutch official Gazette 1995. 45; ESSENTIALS OF ORDER ON THE COLLECTION OF BATTERIES.

- Please refer to the disassembly procedure for the removal of Back-up Battery.
- Leest u voor het verwijderen van de backup batterij deze beschrijving.

リチウム電池の取り扱い

<注意>

- リチウム電池を誤って交換すると爆発する危険があります。交換する場合は、サービスマニュアルで指定された部品を使用してください。

■ SAVING DATA (データの保存)

When you exchange the CPU circuit board, the data stored in the memory will be lost.

Before exchanging the CPU circuit board, save the data to an external device (such as a computer) with the backup function of the DME Designer (version 2.0 or later).

For more information on the saving operation, refer to the DME Designer owner's manual.

CPU基板を交換すると、メモリー内に保存されていた内容が失われます。

基板交換の前に、DME Designer(バージョン2.0以上)のバックアップ機能を使って、データをパソコンなどの外部機器に保存してください。

操作方法の詳細は、DME Designer取扱説明書を参照してください。

■ SPECIFICATIONS (総合仕様)

• General Specifications (一般仕様)

Sampling Frequency	External	Normal Rate: 44.1, 48 kHz ($\pm 0.1\%$) Double Rate: 88.2, 96 kHz ($\pm 0.1\%$)
	Internal	96 kHz
Signal Delay		Less than 761 μ sec (INPUT to OUTPUT @Fs=96kHz)
Indicators		Key indicators x 9 MUTE indicators (INPUT A/B, OUTPUT 1-6) 6-segment LED level meters (INPUT A/B, OUTPUT 1-6)
Miscellaneous	Power Consumption	30 W
	Dimensions (HxDxW)	44 x 361 x 480 mm
	Net Weight	4.2 kg
	Temperature Range	Operating: 5 to 40 °C Storage: -20 to 60 °C
	Included Accessories	AC power cord, Rubber feet x 4, Owner's manual

• Electrical Characteristics (電気的特性)

Output impedance of signal generator: 150 Ω

Frequency Response

Input	Output	RL	Conditions	MIN	TYP	MAX	Units
INPUT A, B	OUTPUT 1-6	600 Ω	Fs=96kHz@20Hz-40kHz, reference to the nominal output level @1kHz	-1.0	0.0	+0.5	dB

Total Harmonic Distortion

Input	Output	RL	Conditions	MIN	TYP	MAX	Units
INPUT A, B	OUTPUT 1-6	600 Ω	Fs=96kHz, +4dBu@20Hz-40kHz			0.05	%
			Fs=96kHz, +22dBu@1kHz			0.007	%
DIGITAL INPUT AES/EBU	OUTPUT 1-6	600 Ω	Fs=48kHz@1kHz, Input level: -1dBFS			0.015	%

* Total Harmonic Distortion is measured with a 18dB/octave filter @80kHz.

Hum & Noise

Input	Output	RL	Conditions	MIN	TYP	MAX	Units
INPUT A, B	OUTPUT 1-6	600 Ω	Fs=96kHz, Rs=150 Ω		-82	-79	dBu
DIGITAL INPUT AES/EBU	OUTPUT 1-6	600 Ω	Fs=48kHz, Input level: $-\infty$ dBFS		-86		dBu

* Hum & Noise are measured with a 6dB/octave filter @12.7kHz; equivalent to a 20kHz filter with infinite dB/octave attenuation.

Dynamic Range

Input	Output	RL	Conditions	MIN	TYP	MAX	Units
INPUT A, B	OUTPUT 1-6	600 Ω	Fs=96kHz		106		dB
DIGITAL INPUT AES/EBU	OUTPUT 1-6	600 Ω	Fs=48kHz		110		dB

* Dynamic range is measured with a 6dB/octave filter @12.7kHz; equivalent to a 20kHz filter with infinite dB/octave attenuation.

Crosstalk @1KHz

Fs=96kHz

Input	Output	Conditions	MIN	TYP	MAX	Units
INPUT A	OUTPUT 2, 4, 6	INPUT A assigned to OUTPUT 1, 3 or 5 INPUT B assigned to OUTPUT 2, 4 or 6			-80	dB
INPUT B	OUTPUT 1, 3, 5	INPUT A assigned to OUTPUT 1, 3 or 5 INPUT B assigned to OUTPUT 2, 4 or 6			-80	dB

* Crosstalk is measured with a 18dB/octave filter @80kHz.

LED Level Meters

Metering points	Conditions	MIN	TYP	MAX	Units
INPUT A, B	OVER red LED: On		0		dBFS
	-6 amber LED: On		-6		dBFS
	-12 amber LED: On		-12		dBFS
	-18 amber LED: On		-18		dBFS
	-30 green LED: On		-30		dBFS
	-48 green LED: On		-48		dBFS
OUTPUT 1-6	OVER red LED: On		0		dBFS
	LIMIT amber LED: On		LIMIT*		
	-6 green LED: On		-6		dBFS
	-12 green LED: On		-12		dBFS
	-18 green LED: On		-18		dBFS
	-40 green LED: On		-40		dBFS

* The LED turns on when the internal limiter is activated.

- Input/Output Characteristics (入出力特性)**

Analog Input Characteristics

Input Terminals	Actual Load Impedance	For Use With Nominal	Input level		Connector
			Nominal	Max. before clip	
INPUT A, B	10 k Ω	600 Ω Lines	+4 dBu (1.23 V)	+24 dBu (12.28 V)	XLR-3-31 type (balanced) *1

*1. XLR-3-31 type connectors with latches are balanced. (1=GND, 2=HOT, 3=COLD)

*2. In these specifications, 0 dBu is referenced to 0.775 Vrms.

*3. All AD converters are 24-bit linear, 64-times oversampling. (Fs=96kHz)

Analog Output Characteristics

Output Terminals	Actual Load Impedance	For Use With Nominal	Output level		Connector
			Nominal	Max. before clip	
OUTPUT 1-6	75 Ω	600 Ω Lines	+4 dBu (1.23 V)	+24 dBu (12.28 V)	XLR-3-32 type (balanced) *1

*1. XLR-3-32 type connectors are balanced. (1=GND, 2=HOT, 3=COLD)

*2. In these specifications, 0 dBu is referenced to 0.775 Vrms.

*3. All DA converters are 24-bit linear, 128-times oversampling (Fs=48kHz) or 64-times oversampling (Fs=96kHz).

Digital Input Characteristics

Terminal	Format	Data length	Level	Connector
DIGITAL INPUT AES/EBU	AES/EBU	24 bit	RS422	XLR-3-31 type (balanced) *1 *2

*1. XLR-3-31 type connector with latch is balanced. (1=GND, 2=HOT, 3=COLD)

*2. Only Double Speed Format is supported at 96 kHz. Double Channel or Single Format is not supported.

Control I/O Characteristics

Terminal	Format	Level	Connector
Network	IEEE 802.3	10Base-T/100Base-TX	RJ-45

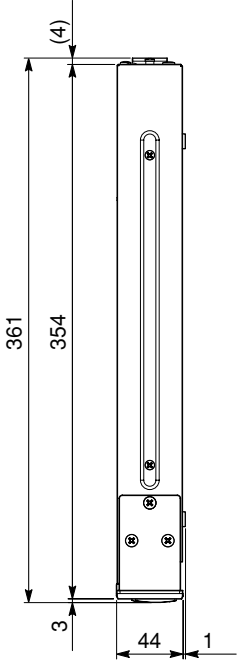
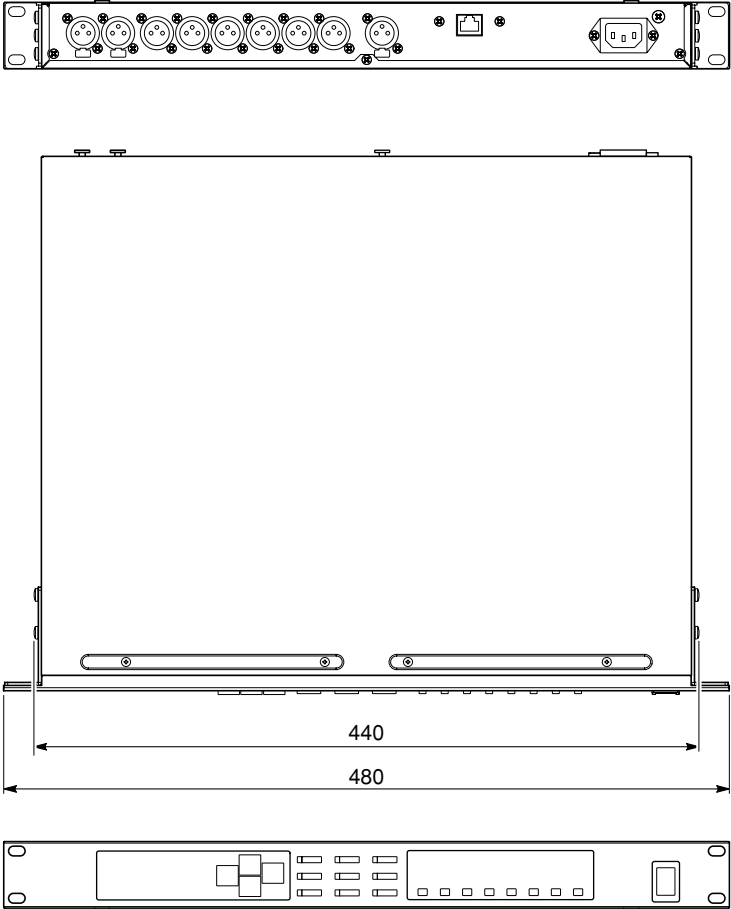
- **Connector Pin Assignment (コネクタピンアサイン)**

[NETWORK] Connector (100Base-TX Ethernet, RJ-45)

[NETWORK]端子 (100Base-TX Ethernet、RJ-45コネクタ)

Pin	Connection
1	TxD+
2	TxD-
3	RxD+
4	Unused (未使用)
5	Unused (未使用)
6	RxD-
7	Unused (未使用)
8	Unused (未使用)

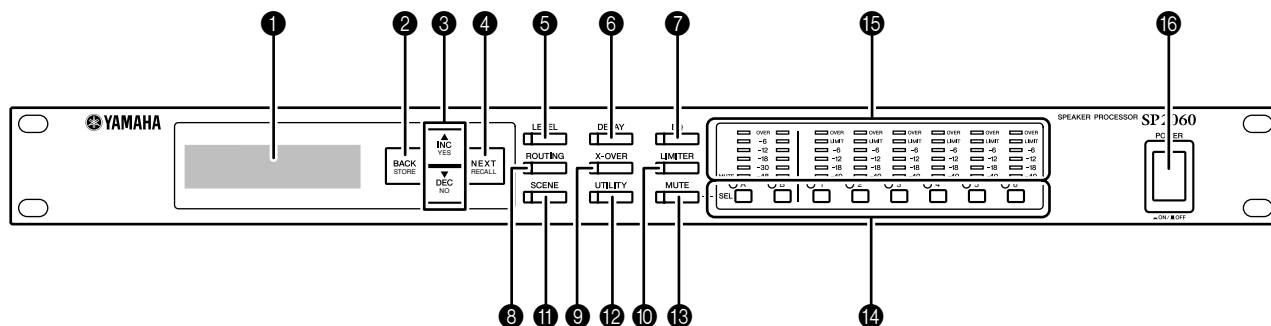
■ DIMENSIONS (寸法図)



Unit: mm
単位: mm

■ PANEL LAYOUT (パネルレイアウト)

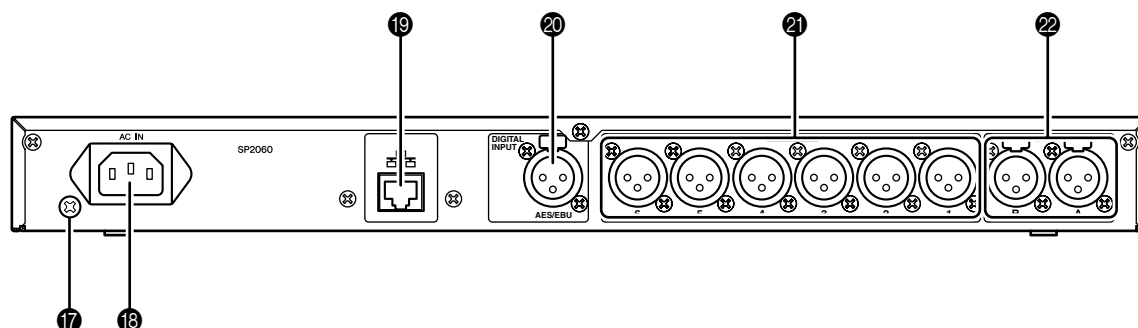
• Front Panel (フロントパネル)



- ① Display
- ② [BACK/STORE] Key
- ③ [▲INC/YES]/[▼DEC/NO] Keys
- ④ [NEXT/RECALL] Key
- ⑤ [LEVEL] Key
- ⑥ [DELAY] Key
- ⑦ [EQ] Key
- ⑧ [ROUTING] Key
- ⑨ [X-OVER] Key
- ⑩ [LIMITER] Key
- ⑪ [SCENE] Key
- ⑫ [UTILITY] Key
- ⑬ [MUTE] Key
- ⑭ [SEL] Keys
- ⑮ Meters
- ⑯ [POWER ON/OFF] Key

- ① ディスプレイ
- ② [BACK/STORE] キー
- ③ [▲INC/YES]/[▼DEC/NO] キー
- ④ [NEXT/RECALL] キー
- ⑤ [LEVEL] キー
- ⑥ [DELAY] キー
- ⑦ [EQ] キー
- ⑧ [ROUTING] キー
- ⑨ [X-OVER] キー
- ⑩ [LIMITER] キー
- ⑪ [SCENE] キー
- ⑫ [UTILITY] キー
- ⑬ [MUTE] キー
- ⑭ [SEL] キー
- ⑮ メーター
- ⑯ [POWER ON/OFF] ボタン

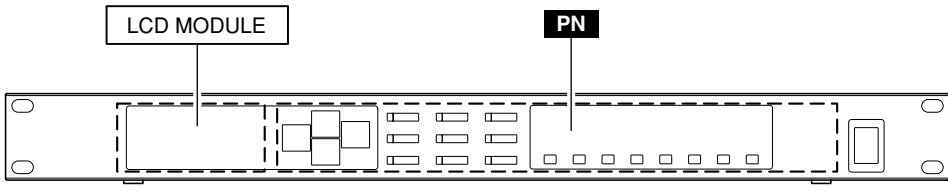
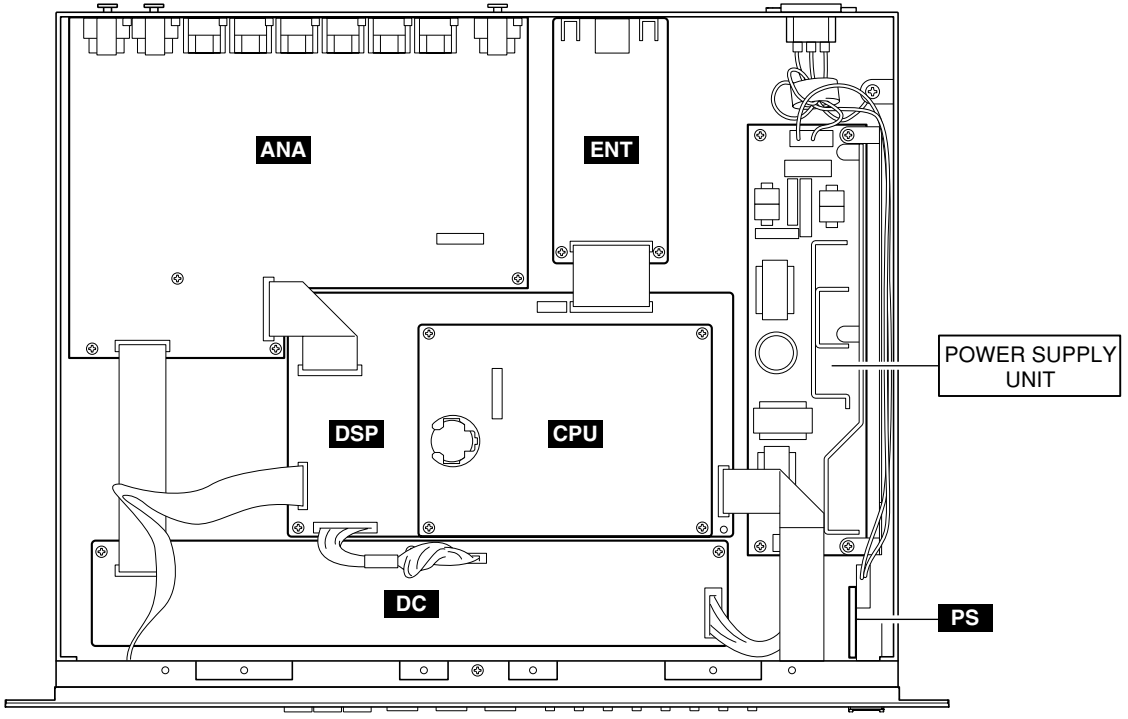
• Rear Panel (リアパネル)



- ⑰ Ground Screw
- ⑱ [AC IN] Connector
- ⑲ [NETWORK] Connector
- ⑳ [DIGITAL INPUT] Connector (AES/EBU)
- ㉑ [OUTPUT] Connectors
- ㉒ [INPUT] Connectors

- ⑰ アース用ネジ
- ⑱ [AC IN] 端子
- ⑲ [NETWORK] 端子
- ⑳ [DIGITAL INPUT] 端子 (AES/EBU)
- ㉑ [OUTPUT] 端子
- ㉒ [INPUT] 端子

■ CIRCUIT BOARD LAYOUT (ユニットレイアウト)



■ DISASSEMBLY PROCEDURES (分解手順)

1. Rack Angle (Time required: About 1 min.)

- 1-1. Remove the three (3) screws marked [1050]. The rack angle L can then be removed. (Fig. 1)
- 1-2. Remove the three (3) screws marked [1020]. The rack angle R can then be removed. (Fig. 1)

2. Top Cover (Time required : About 2 min.)

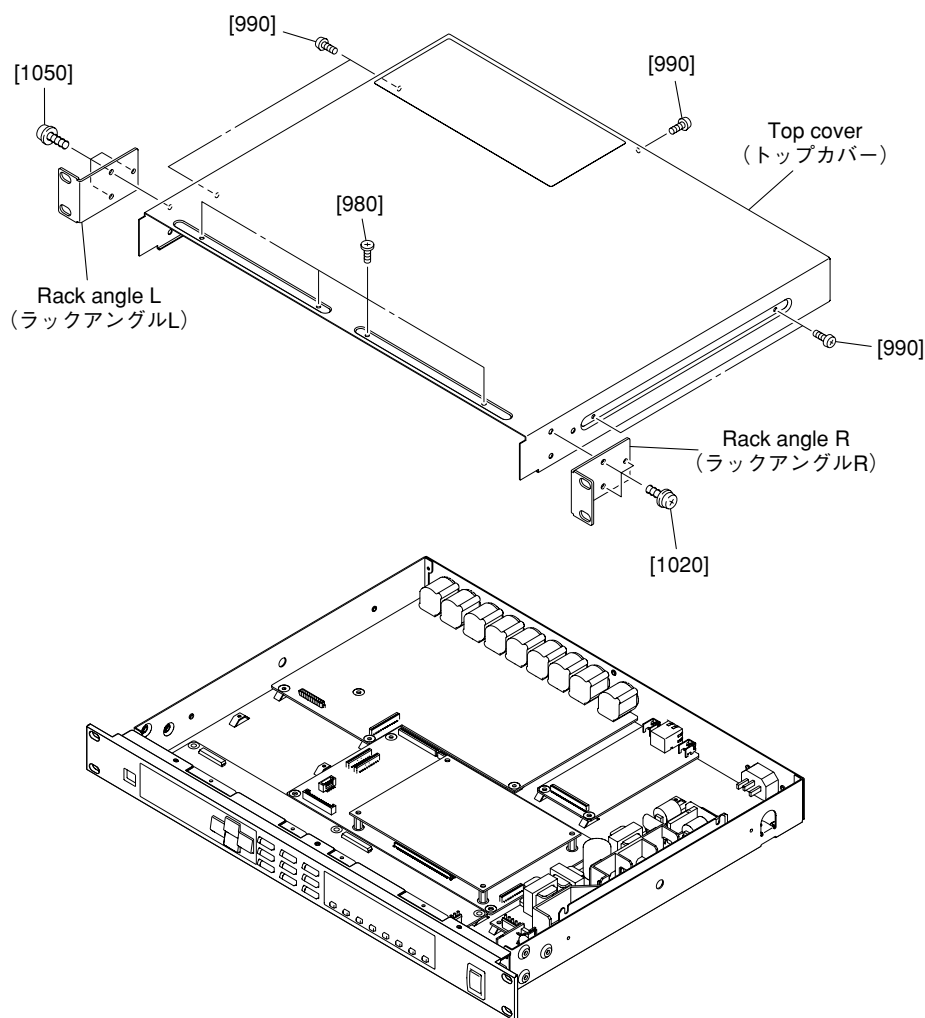
- 2-1. Remove the rack angle L and R. (See procedure 1)
- 2-2. Remove the five (5) screws marked [990] and four (4) screws marked [980]. The top cover can then be removed.

1. ラックアングル(所要時間：約1分)

- 1-1. [1050]のネジ3本を外し、ラックアングルLを外します。(図1)
- 1-2. [1020]のネジ3本を外し、ラックアングルRを外します。(図1)

2. トップカバー(所要時間：約2分)

- 2-1. ラックアングルL、Rを外します。(1項参照)
- 2-2. [990]のネジ5本、[980]のネジ4本を外し、トップカバーを外します。(図1)



- [980]: Special Flat Head Screw-S 3x6 MFZN2B3 (WF054700) Sタイト
 [990]: Bind Head Tapping Screw-S 3x6 MFZN2B3 (WE877800) Sタイト+BIND
 [1020]: Bind Head Tapping Screw-B 4x8 MFZN2B3 (WE986200) Bタイト+BIND
 [1050]: Bind Head Tapping Screw-B 4x8 MFZN2B3 (WE986200) Bタイト+BIND

(Fig. 1)

(図1)

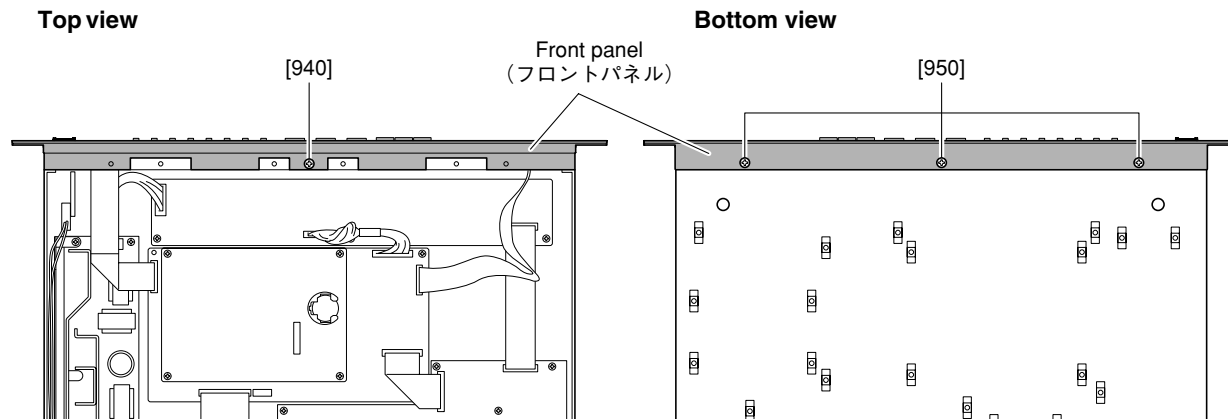
3. Front Panel (Time required: About 3 min.)

- 3-1. Remove the rack angle L and R. (See procedure 1)
- 3-2. Remove the top cover. (See procedure 2)
- 3-4. Remove the screw marked [940] and three (3) screws marked [950].

The front panel can then be removed. (Fig. 2)

3. フロントパネル(所要時間：約3分)

- 3-1. ラックアングルL、Rを外します。(1項参照)
- 3-2. トップカバーを外します。(2項参照)
- 3-3. [940]のネジ1本と[950]のネジ3本を外し、フロントパネルを外します。(図2)



[940]: Special Flat Head Screw-S 3x6 MFZN2B3 (WF054700) Sタイト

[950]: Bind Head Tapping Screw-S 3x6 MFZN2B3 (WE877800) Sタイト+BIND

(Fig. 2)

(図2)

4. ANA Circuit Board**(Time required: About 5 minutes.)**

- 4-1. Remove the rack angle L and R. (See procedure 1)
- 4-2. Remove the top cover. (See procedure 2)
- 4-3. Remove the six (6) screws marked [240], twelve (12) screws marked [250] and four (4) screws marked [260]. The ANA circuit board can then be removed. (Fig. 3, 4)

5. ENT Circuit Board**(Time required : About 4 minutes.)**

- 5-1. Remove the rack angle L and R. (See procedure 1)
- 5-2. Remove the top cover. (See procedure 2)
- 5-3. Remove the two (2) screws marked [500] and two (2) screws marked [510]. The ENT circuit board can then be removed. (Fig. 3, 4)

**6. Power Supply Unit and Dividing Board
(Time required : About 5 min.)**

- 6-1. Remove the rack angle L and R. (See procedure 1)
- 6-2. Remove the top cover. (See procedure 2)
- 6-3. Remove the two (2) screws marked [760] and two (2) screws marked [790].
The power supply unit and dividing board can then be removed. (Fig. 4)

7. AC Inlet Assembly**(Time required : About 3 min.)**

- 7-1. Remove the rack angle L and R. (See procedure 1)
- 7-2. Remove the top cover. (See procedure 2)
- 7-3. Remove the two (2) screws marked [140] and screw marked [150]. The AC inlet assembly can then be removed. (Fig. 3, 4)

8. DC Circuit Board**(Time required : About 4 minutes.)**

- 8-1. Remove the rack angle L and R. (See procedure 1)
- 8-2. Remove the top cover. (See procedure 2)
- 8-3. Remove the three (3) screws marked [100]. The DC circuit board can then be removed. (Fig. 4)

4. ANAシート(所要時間：約5分)

- 4-1. ラックアングルL、Rを外します。(1項参照)
- 4-2. トップカバーを外します。(2項参照)
- 4-3. [240]のネジ6本、[250]のネジ12本、[260]のネジ4本を外し、ANAシートを外します。(図3、4)

5. ENTシート(所要時間：約4分)

- 5-1. ラックアングルL、Rを外します。(1項参照)
- 5-2. トップカバーを外します。(2項参照)
- 5-3. [500]のネジ2本、[510]のネジ2本を外し、ENTシートを外します。(図3、4)

**6. 電源ユニット、仕切り板R
(所要時間：約5分)**

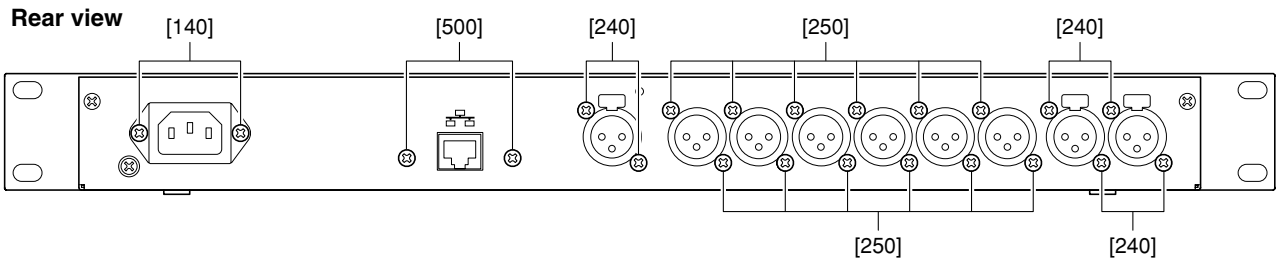
- 6-1. ラックアングルL、Rを外します。(1項参照)
- 6-2. トップカバーを外します。(2項参照)
- 6-3. [760]のネジ2本と[790]のネジ2本を外し、電源ユニット、および仕切り板Rを外します。(図4)

7. ACインレットAss'y(所要時間：約3分)

- 7-1. ラックアングルL、Rを外します。(1項参照)
- 7-2. トップカバーを外します。(2項参照)
- 7-3. [140]のネジ2本、[150]のネジ1本を外し、ACインレットAss'yを外します。(図3、4)

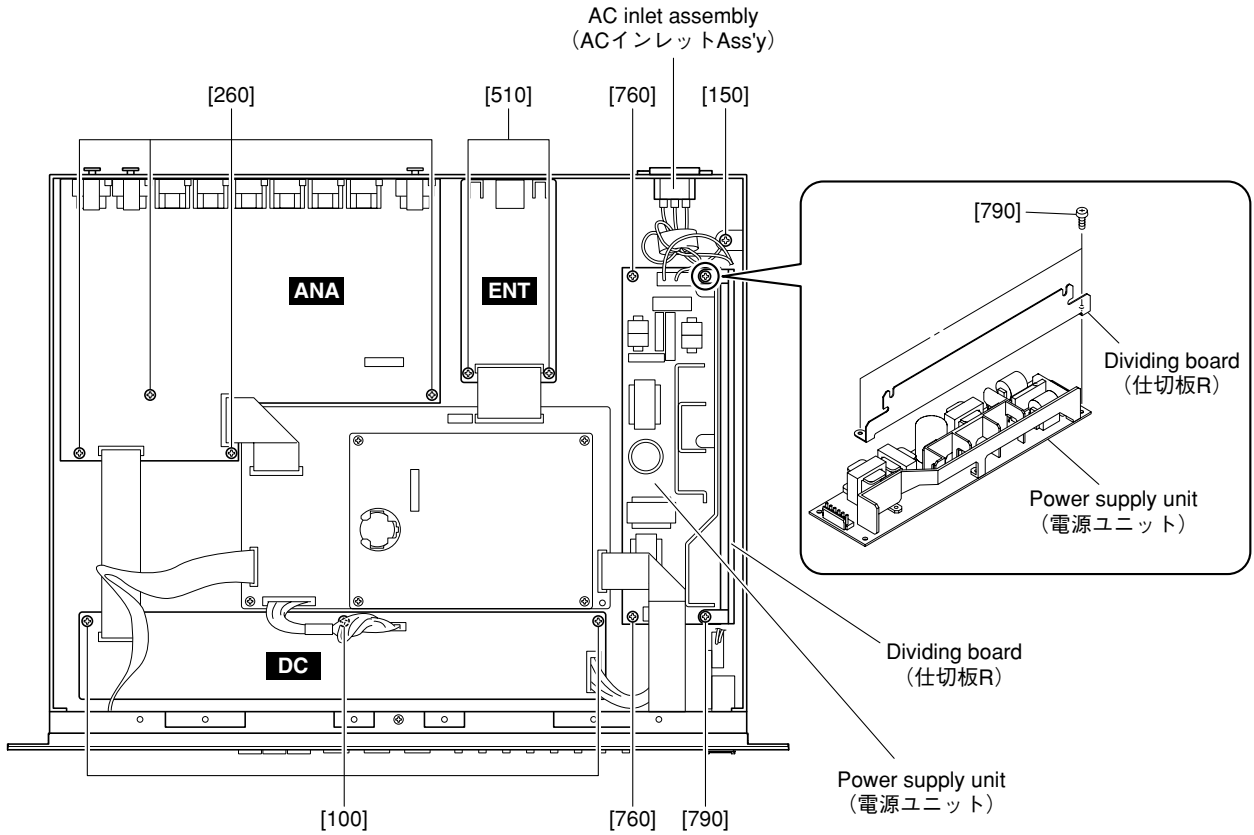
8. DCシート(所要時間：約4分)

- 8-1. ラックアングルL、Rを外します。(1項参照)
- 8-2. トップカバーを外します。(2項参照)
- 8-3. [100]のネジ3本を外し、DCシートを外します。(図4)



- [140]: Bind Head Tapping Screw-B 3x8 MFZN2B3 (WE774400) Bタイト+BIND
- [240]: Bind Head Tapping Screw-B 3x8 MFZN2B3 (WE774400) Bタイト+BIND
- [250]: Bind Head Tapping Screw-B 3x8 MFZN2B3 (WE774400) Bタイト+BIND
- [500]: Bind Head Tapping Screw-S 3x6 MFZN2B3 (WE877800) Sタイト+BIND

(Fig. 3)
(図3)



- [100]: Bind Head Tapping Screw-S 3x6 MFZN2B3 (WE877800) Sタイト+BIND
- [150]: Bind Head Tapping Screw-S 4x8 MFZN2B3 (WE994800) Sタイト+BIND
- [260]: Bind Head Tapping Screw-S 3x6 MFZN2B3 (WE877800) Sタイト+BIND
- [510]: Bind Head Tapping Screw-S 3x6 MFZN2B3 (WE877800) Sタイト+BIND
- [760]: Bind Head Tapping Screw-S 3x6 MFZN2W3 (WH673900) Sタイト+BIND
- [790]: Bind Head Tapping Screw-S 3x6 MFZN2W3 (WH673900) Sタイト+BIND

(Fig. 4)
(図4)

9. CPU Circuit Board

(Time required : About 4 minutes.)

- 9-1. Remove the rack angle L and R. (See procedure 1)
- 9-2. Remove the top cover. (See procedure 2)
- 9-3. Remove the four (4) screws marked [70]. The CPU circuit board can then be removed. (Fig. 5)

10. Replacing the Lithium Battery (Time required : About 3 min.)

- 10-1. Remove the rack angle L and R. (See procedure 1)
- 10-2. Remove the top cover. (See procedure 2)
- 10-3. You can replace the lithium battery from the CPU circuit board. (Fig. 5)
 - * The lithium battery is not part of the CPU circuit board. When you replace the CPU circuit board, you should remove the lithium battery from the CPU board on the main unit, and install it in the holder on the new CPU circuit board.
 - * Save the important data to an external device (such as a computer) with the backup function of the DME Designer (version 2.0 or later) in advance. For more information on the operation, refer to the DME Designer owner's manual.

11. DSP Circuit Board

(Time required : About 5 minutes.)

- 11-1. Remove the rack angle L and R. (See procedure 1)
- 11-2. Remove the top cover. (See procedure 2)
- 11-3. Remove the CPU Circuit Board. (See procedure 9)
- 11-4. Remove the two (2) screws marked [30] and four (4) hexagonal spacers marked [40].
The DSP circuit board can then be removed. (Fig. 5)

9. CPUシート (所要時間：約4分)

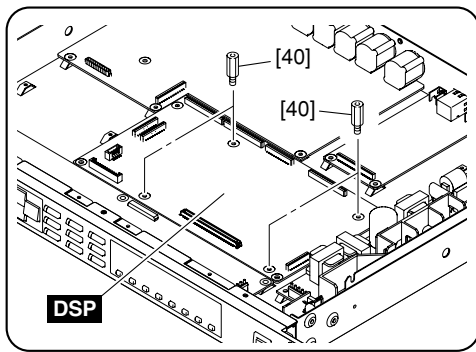
- 9-1. ラックアングルL、Rを外します。(1項参照)
- 9-2. トップカバーを外します。(2項参照)
- 9-3. [70]のネジ4本を外し、CPUシートを外します。(図5)

10. リチウム電池の交換 (所要時間：約3分)

- 10-1. ラックアングルL、Rを外します。(1項参照)
- 10-2. トップカバーを外します。(2項参照)
- 10-3. CPUシート上よりリチウム電池を交換することができません。(図5)
 - * リチウム電池は、CPUシートの構成部品ではありません。
CPUシートを交換する際には、本体のCPUシートからリチウム電池を取り外して、新しいCPUシートに取り付けてください。
 - * 重要なデータは、あらかじめDME Designer(バージョン2.0以上)のバックアップ機能でパソコンなどの外部機器に保存してください。
その操作方法の詳細は、DME Designer取扱説明書を参照してください。

11. DSPシート (所要時間：約5分)

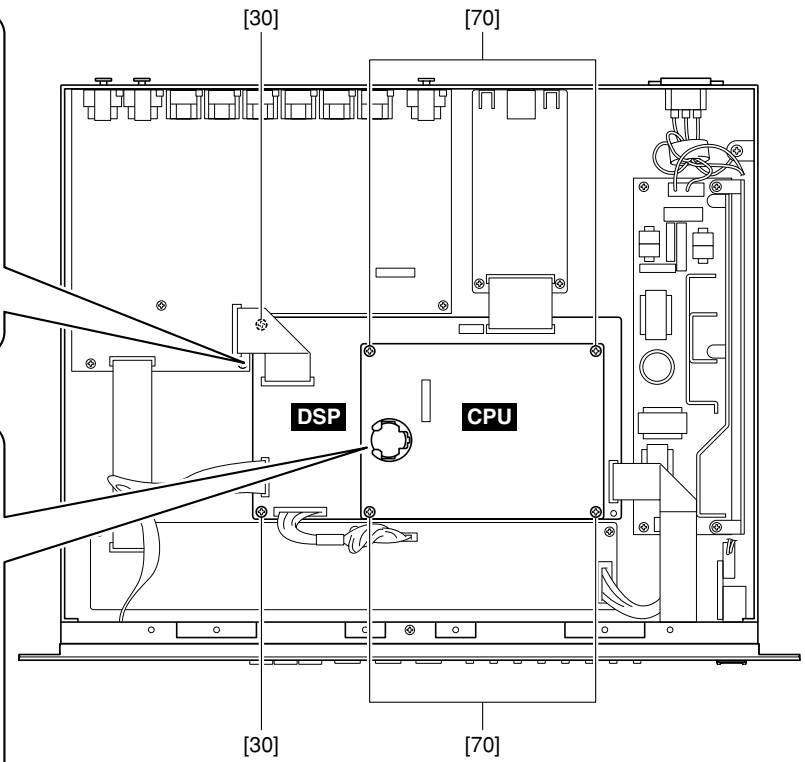
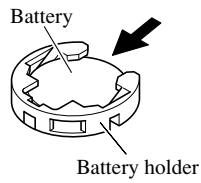
- 11-1. ラックアングルL、Rを外します。(1項参照)
- 11-2. トップカバーを外します。(2項参照)
- 11-3. CPUシートを外します。(9項参照)
- 11-4. [30]のネジ2本、[40]の六角スペーサー4本を外し、DSPシートを外します。(図5)



● Lithium Battery (リチウム電池)

Battery VN103500
VN103600(Battery holder for VN103500)

- Notice for back-up battery removal
Push the battery as shown in figure, then the battery will pop up.
- Druk de batterij naar beneden zoals aangeven in de tekening, de batterij springt dan naar voren.



- [30]: Bind Head Tapping Screw-S 3x6 MFZN2B3 (WE877800) Sタイト+BIND
- [40]: Hexagonal Spacer L=13 (WG501800) 六角スペーサーM3
- [70]: Bind Head Tapping Screw-S 3x6 MFZN2B3 (WE877800) Sタイト+BIND

(Fig. 5)
(図5)

12. LCD Module**(Time required : About 4 minutes.)**

- 12-1. Remove the rack angle L and R. (See procedure 1)
- 12-2. Remove the top cover. (See procedure 2)
- 12-3. Remove the front panel. (See procedure 3)
- 12-4. Remove the two (2) screws marked [640]. The LCD module can then be removed. (Fig. 6)

13. Meter Assembly**(Time required : About 4 minutes.)**

- 13-1. Remove the rack angle L and R. (See procedure 1)
- 13-2. Remove the top cover. (See procedure 2)
- 13-3. Remove the front panel. (See procedure 3)
- 13-4. Remove the screw marked [570]. The meter assembly can then be removed. (Fig. 6)

14. PS Circuit Board**(Time required : About 4 minutes.)**

- 14-1. Remove the rack angle L and R. (See procedure 1)
- 14-2. Remove the top cover. (See procedure 2)
- 14-3. Remove the front panel. (See procedure 3)
- 14-4. Remove the button PSW. (Fig. 6)
- 14-5. Remove the two (2) screws marked [190]. The PS circuit board can then be removed. (Fig. 6)

12. 液晶ディスプレイ(所要時間：約4分)

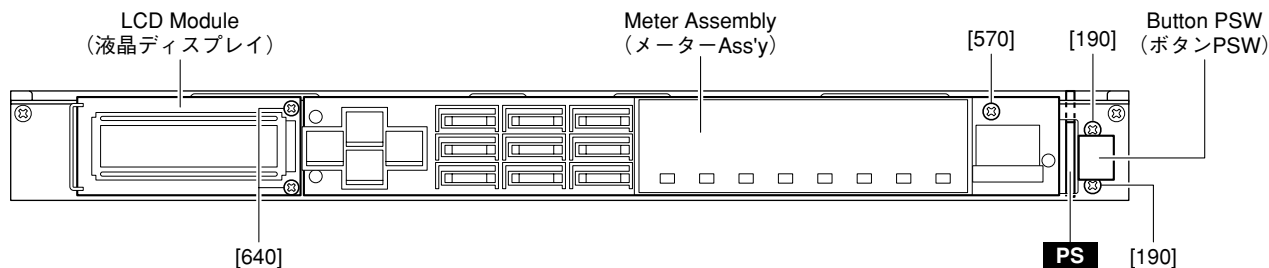
- 12-1. ラックアングルL、Rを外します。(1項参照)
- 12-2. トップカバーを外します。(2項参照)
- 12-3. フロントパネルを外します。(3項参照)
- 12-4. [640]のネジ2本を外し、液晶ディスプレイを外します。(図6)

13. メーターAss'y(所要時間：約4分)

- 13-1. ラックアングルL、Rを外します。(1項参照)
- 13-2. トップカバーを外します。(2項参照)
- 13-3. フロントパネルを外します。(3項参照)
- 13-4. [570]のネジを外し、メーターAss'yを外します。(図6)

14. PSシート(所要時間：約4分)

- 14-1. ラックアングルL、Rを外します。(1項参照)
- 14-2. トップカバーを外します。(2項参照)
- 14-3. フロントパネルを外します。(3項参照)
- 14-4. ボタンPSWを外します。(図6)
- 14-5. [190]のネジ2本を外し、PSシートを外します。(図6)



- [190]: Bind Head Tapping Screw-S 3x6 MFZN2B3 (WE877800) Sタイト+BIND
- [570]: Bind Head Tapping Screw-S 3x6 MFZN2B3 (WE877800) Sタイト+BIND
- [640]: Bind Head Tapping Screw-B 2.6x8 MFZN2B3 (WE961700) Bタイト+BIND

(Fig. 6)

(図6)

LSI PIN DESCRIPTION (LSI端子機能表)

CONTENTS (目次)

- **AK4393-VF-E2 (XW029A00) DAC (Digital to Analog Converter)** 17
- **AK5385BVF-E2 (X5364B00) ADC (Analog to Digital Converter)** 17
- **HD6417727F160CV (X2890B00) CPU (Microprocessor 32 bit)** 18
- **YSS919B-HZ (XZ693B00) DSP7 (Digital Signal Processor)** 20
- **KSZ872ISL (X5621A00) PHYceiver** 22
- **LC4032V-75TN48C (X7109A00) CPLD (Complex Programmable Logic Device)** 22

• AK4393-VF-E2 (XW029A00) DAC (Digital to Analog Converter)

ANA: IC101, 201, 301

Pin no.	Name	I/O	Function	Pin no.	Name	I/O	Function
1	DVSS	-	Digital Ground Pin	15	BVSS	I	Substrate Ground Pin, 0V
2	DVDD	-	Digital Power Supply Pin, 3.3V or 5.0V	16	VREFL	I	Low Level Voltage Reference Input Pin
3	MCLK	I	Master Clock Input Pin	17	VREFH	-	High Level Voltage Reference Input Pin
4	\overline{PD}	I	Power-Down Mode Pin When at "L", the Ak4393 is in power-down mode and is held in reset. The AK4393 should always be reset upon power-up.	18	AVDD	-	Analog Power Supply Pin, 5V
5	BICK	I	Audio Serial Data Clock Pin The clock of 64fs or more than is recommended to be input on this pin.	19	AVSS	O	Analog Ground Pin, 0V
6	SDATA	I	Audio Serial Data Input Pin 2's complement MSB-first data is input on this pin.	20	AOUTR-	O	Rch Negative analog output Pin
7	LRCK	I	L/R Clock Pin	21	AOUTR+	O	Rch Positive analog output Pin
8	SMUTE	I	Soft Mute Pin When this pin goes "H", soft mute cycle is initiated. When returning "L", the output mute releases.	22	AOUTL-	O	Lch Negative analog output Pin
9	\overline{CS} DFS	I	Chip Select Pin in serial mode Double speed sampling mode Pin (Internal pull-down pin) "L": Normal Speed, "H": Double Speed	23	AOUTL+	O	Lch Positive analog output Pin
10	DEM0	I	De-emphasis Enable pin	24	VCOM	O	Common Voltage Output Pin, 2.6V Parallel/Serial Select Pin (Internal pull-up pin)
11	CCLK	I	Control Data Clock Pin in serial mode	25	P/\overline{S}	I	"L": Serial control mode, "H": Parallel control mode
12	DEM1	I	De-emphasis Enable pin	26	CKS0	I	} Master Clock Select Pin
13	CDTI	I	Control Data Input Pin in serial mode	27	CKS1	I	
14	DIF0	I	} Digital Input Format Pin	28	CKS2	I	
13	DIF1	I					
14	DIF2	I					

• AK5385BVF-E2 (X5364B00) ADC (Analog to Digital Converter)

ANA: IC501

Pin no.	Name	I/O	Function	Pin no.	Name	I/O	Function
1	VREFL	I	Lch voltage reference input	15	SDTO	O	Audio serial data output
2	AVSS	-	Analog ground	16	CKS1	I	Master clock select
3	VCOM	O	Common voltage output	17	MCLK	I	Master clock input
4	LIN+	I	Lch analog positive input	18	DFS0	I	Sampling speed select 0
5	LIN-	I	Lch analog negative input	19	HPFE	I	High pass filter enable
6	CKS0	I	Master clock select 0	20	DFS1	I	Sampling speed select 1
7	DVDD	-	Digital power supply	21	BVSS	-	Substrate ground
8	DVSS	-	Digital ground	22	AVSS	-	Analog ground
9	OVF	O	Analog input overflow detect	23	AVDD	-	Analog power supply
10	PDN	I	Power down mode	24	RIN-	I	Rch analog negative input
11	DIF	I	Audio interface format	25	RIN+	I	Rch analog positive input
12	M/S	I	Master / Slave mode	26	TEST	I	Test pin
13	LRCK	I/O	Output channel clock	27	AVSS	-	Analog ground
14	BICK	I/O	Audio serial data clock	28	VREFR	I	Rch voltage reference input

• HD6417727F160CV (X2890B00) CPU (Microprocessor 32 bit)

CPU: IC002

Pin no.	Name	I/O	Function	Pin no.	Name	I/O	Function		
1	Vcc-RTC	-	Power supply for RTC (1.9V)	66	VccQ	-	VccQ		
2	XTAL2	-	Not in use (XTAL for internal RTC)	67	A4	-	Address bus		
3	EXTAL2	-		68	A5	-			
4	Vss-RTC	-	Power supply for RTC (0V)	69	A6	-			
5	MD1	-	Clock mode setting	70	A7	-			
6	MD2	-		71	A8	-			
7	NMI	-	Not in use (Non-maskable interrupt request)	72	A9	-			
8	IRQ0/IRL0_/PTH[0]	I	External interrupt request	73	A10	-			
9	IRQ1/IRL1_/PTH[1]	I			74	A11	-		
10	IRQ2/IRL2_/PTH[2]	I			75	VssQ	-	VssQ	
11	IRQ3/IRL3_/PTH[3]	I			76	A12	-	Address bus	
12	IRQ4/PTH[4]	I			77	VccQ	-	VccQ	
13	VEPWC	O	VEE control pin for LCD panel	78	A13	-	Address bus		
14	VCPWC	-	VCC control pin for LCD panel	79	A14	-			
15	MD5	-	Big endian setting	80	A15	-			
16	/BREQ	-	Not in use (bus request)	81	A16	-			
17	/BACK	-	Bus acknowledge	82	A17	-			
18	VssQ	-	VssQ	83	A18	-			
19	CKIO2	-	System clock output	84	A19	-			
20	VccQ	-	VccQ	85	A20	-	Address bus		
21	D31/PTB[7]	I/O	Data bus	86	VssQ	-		VssQ	
22	D30/PTB[6]	I/O			87	A21		-	Address bus
23	D29/PTB[5]	I/O			88	VccQ		-	VccQ
24	D28/PTB[4]	I/O			89	A22		-	Address bus
25	D27/PTB[3]	I/O			90	A23		-	
26	D26/PTB[2]	I/O			91	Vss		-	Vss
27	D25/PTB[1]	I/O			92	A24	-	Address bus	
28	D24/PTB[0]	I/O		93	Vcc	-	Vcc		
29	VssQ	-	VssQ	94	A25	-	Address bus		
30	D23/PTA[7]	I/O	Data bus	95	BS_/PTK[4]	O	Not connected (bus cycle start signal)		
31	VccQ	-	VccQ	96	RD_	-	Read strobe		
32	D22/PTA[6]	I/O	Data bus	97	WE0_/DQMLL	O	Write 0 signal		
33	D21/PTA[5]	I/O			98	WE1_/DQMLU/WE	O	Write 1 signal	
34	D20/PTA[4]	I/O			99	WE2_/DQMUL/CIORD_/PTK[6]	O	Write 2 signal	
35	Vss	-	Vss	100	VssQ	-	VssQ		
36	D19/PTA[3]	I/O	Data bus	101	WE3_/DQMUU/CIOWR_/PTK[7]	O	Write 3 signal		
37	Vcc	-	Vcc	102	VccQ	-	VccQ		
38	D18/PTA[2]	I/O	Data bus	103	RD/WR_	O	Read/Write		
39	D17/PTA[1]	I/O			104	PTE[7]/PCCORDY/AUDSYNC_	O	I/O	
40	D16/PTA[0]	I/O			105	/CS0	-	Chip Select 0	
41	D15	-	Data bus	106	/CS2	-	Chip Select 2		
42	VssQ	-		VssQ	107	/CS3	-	Chip Select 3	
43	D14	-		Data bus	108	/CS4/PTK[2]	O	Chip Select 4	
44	VccQ	-		VccQ	109	/CS5/CE1A_/PTK[3]	O	Chip Select 5	
45	D13	-			110	/CS6/CE1B_	O	Chip Select 6	
46	D12	-			111	CE2A_/PTE[4]	O	Output port (SWP50 Reset)	
47	D11	-			112	CE2B_/PTE[5]	O	Output port (PLG Board Reset)	
48	D10	-	Data bus	113	AFE_HC1/USB1d_DP/PTK[0]	O	SPD DATA		
49	D9	-			114	AFE_RLYCNT_USB1d_DMNS/PTK[1]	O	SPD CL	
50	D8	-			115	VssQ	-	VssQ	
51	D7	-		116	AFE_SCLK/USB1d_TXDPLS	I	Not in use (USB1 D+ transmission)		
52	D6	-		117	VccQ	-	VccQ		
53	VssQ	-	VssQ	118	PTM[7]/PTINT[7]/AFE_FS/USB1d_RCV	I	Not in use		
54	D5	-	Data bus	119	PTM[6]/PTINT[6]/AFE_RXIN/USB1d_SPEED	I			
55	VccQ	-	VccQ	120	PTM[5]/PTINT[5]/AFE_TXOUT/USB1d_TXSEO	I			
56	D4	-	Data bus	121	PTM[4]/PINT[4]/AFE_RDET_USB1d_TXDMNS	I			
57	D3	-			122	Reserved/USB1d_SUSPEND		O	
58	D2	-			123	USB1_ovr_crnt/USBF_VBUS		I	USB function VBUS
59	D1	-			124	USB2_ovr_crnt_		-	USB2_HOST2 over current detection
60	D0	-		125	RTS2_/USB1d_TXENL	O	Not in use		
61	A0	-	Address bus	126	PTE[2]/USB1_pwr_en	O	USB1 voltage control		
62	A1	-			127	PTE[1]/USB2_pwr_en	O	USB2 voltage control	
63	A2	-			128	CKE/PTK[5]	O	Enable (SDRAM)	
64	VssQ	-	VssQ	129	/RAS3/PTJ[0]	O	RAS for SDRAM		
65	A3	-	Address bus	130	Reserved/PTJ[1]	O	Not in use		

Pin no.	Name	I/O	Function	Pin no.	Name	I/O	Function	
131	Reserved//CAS/PTJ[2]	O	CAS for SDRAM	186	STATUS1/PTJ[7]	O	Output port (Flash ROM ACC)	
132	VssQ	-	VssQ	187	CL2/PTH[7]	O	LCD clock output	
133	Reserved/PTJ[3]	O	Output port (DAC Reset)	188	VssQ	-	VssQ	
134	VccQ	-	VccQ	189	CKIO	-	System clock input/output (for SDRAM)	
135	Reserved/PTJ[4]	O	Output port (SIO Reset)	190	VccQ	-	VccQ	
136	Reserved/PTJ[5]	O	Output port (DAC Mute)	191	TxD0/SCPT[0]	O	Output port for SCI	
137	Vss	-	Vss	192	SCK0/SCPT[1]	O	} Not in use	
138	PTD[5]/CL1	O	LCD line clock	193	TxD_SIO/SCPT[2]	O		
139	Vcc	-	Vcc	194	SIOMCLK/SCPT[3]	O		
140	PTD[7]/DON	O	LCD DISPLAY ON	195	TxD2/SCPT[4]	O	Output port for SCI	
141	PTE[6]/M_DISP	O	LCD alternater	196	SCK_SIO/SCPT[5]	O	} Not in use	
142	PTE[3]/FLM	O	LCD frame line marker	197	SIOFSYNC/SCPT[6]	O		
143	PTE[0]/TDO	O	JTAG (test data output)	198	RxD0/SCPT[0]	I	Receiving data 0	
144	PCC0RESET/DRACK0	O	DMA request acceptance	199	RxD_SIO/SCPT[2]	I	Not in use	
145	PCC0DRV_/DACK0_	O	DMA acknowledge	200	Vss	-	Vss	
146	/WAIT	-	Hardware wait request	201	RxD2/SCPT[4]	I	Receiving data 2	
147	/RESETM	-	Manual reset request	202	Vcc	-	Vcc	
148	/ADTRG/PTH[5]	I	Analog A/D trigger	203	SCPT[7]/CTS2_/IRQ5	I	Not in use	
149	/IOIS16/PTG[7]	I	} Not in use	204	LCD11/PTC[7]/PINT[3]	O	Output port (PLG CLOCK ON/OFF)	
150	/ASEMD0	-			205	LCD10/PTC[6]/PINT[2]	O	} Not in use
151	PTG[5]/ASEBRKAK_	I			206	LCD9/PTC[5]/PINT[1]	O	
152	PTG[4]	I			207	VssQ	-	VssQ
153	PCC0BVD2/PTG[3]/AUDATA[3]	I			208	LCD8/PTC[4]/PINT[0]	O	Not in use
154	PCC0BVD1/PTG[2]/AUDATA[2]	I			209	VccQ	-	VccQ
155	Vss	-		Vss	210	LCD7/PTD[3]	O	LCD DATA7
156	PCC0CD2/PTG[1]/AUDATA[1]	I		Not in use	211	LCD6/PTD[2]	O	LCD DATA6
157	Vcc	-		Vcc	212	LCD5/PTC[3]	O	LCD DATA5
158	PCC0CD1/PTG[0]/AUDATA[0]	I		Not in use	213	LCD4/PTC[2]	O	LCD DATA4
159	VssQ	-	VssQ	214	LCD3/PTC[1]	O	LCD DATA3	
160	PTF[7]/PINT[15]/TRST_	I	Not in use	215	LCD2/PTC[0]	O	LCD DATA2	
161	VccQ	-	VccQ	216	LCD1/PTD[1]	O	LCD DATA1	
162	PTF[6]/PINT[14]/TMS	I	} Not in use	217	LCD0/PTD[0]	O	LCD DATA0	
163	PTF[5]/PINT[13]/TDI	I			218	DREQ0_/PTD[4]	I	DMA request
164	PTF[4]/PINT[12]/TCK	I			219	LCK/UCLK/PTD[6]	I	USB clock
165	PTF[3]/PINT[11]/Reserved	I			220	/RESETP	-	Power on reset request
166	PCCREG_/PTF[2]/Reserved	I			221	CA	-	Hardware standby request
167	PCC0VS1_/PTF[1]/Reserved	I			222	MD3	-	Bus width setting for area0
168	PCC0VS2_/PTF[0]/Reserved	I			223	MD4	-	
169	MDO	-		Clock mode setting	224	/Scan_testen	-	Test pin (fixed to 3.3V)
170	Vcc-PLL1	-		Power supply for Vcc_PLL1 - PLL1(1.9V)	225	Avcc_USB	-	USB analog power supply (3.3V)
171	CAP1	-		External capacitance for CAP1 _ PLL1	226	USB1_P	I/O	USB1 data input/output (+)
172	Vss-PLL1	-	Power supply for Vss_PLL1 _ PLL1(0V)	227	USB1_M	I/O	USB1 data input/output (-)	
173	Vss-PLL2	-	Power supply for Vss_PLL2 _ PLL2 (0V)	228	Avss_USB	-	USB analog power supply (0V)	
174	CAP2	-	External capacitance for CAP2 _ PLL2	229	USB2_P	I/O	USB2 data input/output (+)	
175	Vcc-PLL2	-	Power supply for Vcc_PLL2 _ PLL2 (1.9V)	230	USB2_M	I/O	USB2 data input/output (-)	
176	PCC0WAIT_/PTH[6]/AUDCK	I	Not in use	231	Avcc_USB	-	USB analog power supply (3.3V)	
177	Vss	-	Vss	232	Avss	-	A/D analog power supply (0V)	
178	Vcc	-	Vcc	233	AN[2]/PTL[2]	I	} AD converter input	
179	XTAL	-	Clock oscillator	234	AN[3]/PTL[3]	I		
180	EXTAL	-	External clock	235	AN[4]/PTL[4]	I		
181	LCD15/PTM[3]/PINT[10]	I	} Not in use	236	AN[5]/PTL[5]	I		
182	LCD14/PTM[2]/PINT[9]	I			237	Avcc		-
183	LCD13/PTM[1]/PINT[8]	I			238	AN[6]/PTL[6]/DA[1]	I	AD converter input
184	LCD12/PTM[0]	I	Input port (Flash ROM RY/BY)	239	AN[7]/PTL[7]/DA[0]	O	DA converter output (LCD contrast)	
185	STATUS0/PTJ[6]	O	Output port (Flash ROM write protect)	240	Avss	-	A/D analog power supply (0V)	

• YSS919B-HZ (XZ693B00) DSP7 (Digital Signal Processor)

DSP: IC153

Pin no.	Name	I/O	Function	Pin no.	Name	I/O	Function		
1	PLLEN	I	PLL enable input (0: PLL unuse, 1: PLL use)	53	Vss	I/O	Ground		
2	/TEST	I	Test mode setting (0: TEST, 1: Normal)	54	CD07	I/O	CPU data bus		
3	AVss		Analog ground	55	CD06	I/O			
4	CPO		PLL filter	56	CD05	I/O			
5	AVdd		Power supply (2.5 V)	57	CD04	I/O			
6	Vss		Ground	58	CD03	I/O			
7	Vdd		Power supply (3.3 V)	59	CD02	I/O			
8	/IC	I	Initial clear	60	CD01	I/O			
9	/MUTE	I	I Mute control (0: SIO mute, 1: SIO normal in-out)	61	CD00	I/O	No connect		
10	/SSYNC	I	Serial I/O Sync. signal input	62	N.C.		Power supply (2.5 V)		
11	MCKS	I	Serial I/O master clock input (128 x Fs)	63	Vdd		Ground		
12	XI	I	System master clock input (60 MHz or 15 MHz)	64	Vss		Power supply (3.3 V)		
13	BTYP	I	Data bus type select (0: 16 bits, 1: 32 bits)	65	Vdd		Serial data bus		
14	/CS	I	Chip select	66	SIO00	I/O			
15	/WR	I	Write enable input	67	SIO01	I/O			
16	/RD	I	Read enable input	68	SIO02	I/O			
17	CA7	I	CPU address bus	69	SIO03	I/O			
18	CA6	I			70	SIO04		I/O	
19	CA5	I			71	SIO05		I/O	
20	CA4	I			72	SIO06	I/O		
21	CA3	I			73	SIO07	I/O		
22	CA2	I		74	Vss		Ground		
23	Vss		Ground	75	SIO08	I/O	Serial data bus		
24	Vdd		Power supply (3.3 V)	76	SIO09	I/O			
25	CD31/CA1	I/O	CPU data bus / CPU address bus	77	SIO10	I/O			
26	CD30	I/O	CPU data bus	78	SIO11	I/O			
27	CD29	I/O			79	SIO12		I/O	
28	CD28	I/O			80	SIO13		I/O	
29	CD27	I/O			81	SIO14		I/O	
30	CD26	I/O			82	SIO15	I/O		
31	CD25	I/O			83	Vss		Ground	
32	CD24	I/O			84	Vdd		Power supply (3.3 V)	
33	Vdd		Power supply (2.5 V)	85	SIO16	I/O	Serial data bus		
34	Vss		Ground	86	SIO17	I/O			
35	CD23	I/O	CPU data bus	87	SIO18	I/O			
36	CD22	I/O			88	SIO19		I/O	
37	CD21	I/O			89	SIO20		I/O	
38	CD20	I/O			90	SIO21		I/O	
39	CD19	I/O			91	SIO22		I/O	
40	CD18	I/O			92	SIO23	I/O		
41	CD17	I/O			93	Vdd		Power supply (2.5 V)	
42	CD16	I/O	CPU data bus	94	Vss		Ground		
43	Vss			Ground	95	SIO24	I/O	Serial data bus	
44	Vdd			Power supply (3.3 V)	96	SIO25	I/O		
45	CD15	I/O			97	SIO26	I/O		
46	CD14	I/O			98	SIO27	I/O		
47	CD13	I/O			99	SIO28	I/O		
48	CD12	I/O			100	SIO29	I/O		
49	CD11	I/O	CPU data bus	101	SIO30	I/O	Serial data bus		
50	CD10	I/O			102	SIO31		I/O	
51	CD09	I/O			103	Vss			Ground
52	CD08	I/O			104	Vdd			Power supply (3.3 V)

Pin no.	Name	I/O	Function	Pin no.	Name	I/O	Function	
105	SIO32	I/O	Serial data bus	157	DA11	I/O	Memory data bus	
106	SIO33	I/O		158	DA12	I/O		
107	SIO34	I/O		159	DA13	I/O		
108	SIO35	I/O		160	DA14	I/O		
109	SIO36	I/O		161	DA15	I/O		
110	SIO37	I/O		162	Vss			Ground
111	SIO38	I/O	Power supply (2.5 V)	163	Vdd		Power supply (3.3 V)	
112	SIO39	I/O		164	DA16	I/O		
113	Vdd		Ground	165	DA17	I/O	Memory data bus	
114	Vss			166	DA18	I/O		
115	SIO40	I/O	167	DA19	I/O			
116	SIO41	I/O	168	DA20	I/O			
117	SIO42	I/O	169	DA21	I/O			
118	SIO43	I/O	Serial data bus	170	DA22	I/O		
119	SIO44	I/O		171	DA23	I/O		
120	SIO45	I/O		172	Vdd		Power supply (2.5 V)	
121	SIO46	I/O	173	Vss		Ground		
122	SIO47	I/O	Ground	174	DA24		I/O	Memory data bus
123	Vss			175	DA25	I/O		
124	Vdd		176	DA26	I/O			
125	SIO48	I/O	177	DA27	I/O			
126	SIO49	I/O	178	DA28	I/O			
127	SIO50	I/O	Serial data bus	179	DA29	I/O		
128	SIO51	I/O		180	DA30	I/O		
129	SIO52	I/O		181	DA31	I/O		
130	SIO53	I/O	Ground	182	Vss		Ground	
131	SIO54	I/O		183	Vdd			Power supply (3.3 V)
132	SIO55	I/O	Ground	184	/WE	O	Memory write enable signal	
133	Vss			185	/CAS	O		Column address strobe
134	SIO56	I/O	Power supply (2.5 V)	186	SDCK	O	Clock (SDRAM)	
135	SIO57	I/O		187	CKE	O		CKE (SDRAM)
136	SIO58	I/O	Ground	188	/RAS	O	Row address strobe	
137	SIO59	I/O		189	Vdd			Power supply (2.5 V)
138	SIO60	I/O	Serial data bus	190	Vss		Ground	
139	SIO61	I/O		191	BA1	O		Bank select (SDRAM)
140	SIO62	I/O	192	BA0	O			
141	SIO63	I/O	193	A12	O			
142	Vdd		Power supply (2.5 V)	194	A11	O	Memory address (SDRAM, DRAM)	
143	Vss			195	A10	O		
144	Vdd		Power supply (3.3 V)	196	A09	O		
145	DA00	I/O		197	A08	O		
146	DA01	I/O	Memory data bus	198	Vss			Ground
147	DA02	I/O		199	Vdd			
148	DA03	I/O		200	A07	O	Memory address (SDRAM, DRAM)	
149	DA04	I/O		201	A06	O		
150	DA05	I/O		202	A05	O		
151	DA06	I/O		203	A04	O		
152	DA07	I/O	204	A03	O			
153	Vss		Ground	205	A02	O		
154	DA08	I/O		206	A01	O		
155	DA09	I/O	Memory data bus	207	A00	O		
156	DA10	I/O		208	Vss		Ground	

• **KSZ8721SL (X5621A00) PHYceiver**

ENT: IC109

Pin no.	Name	I/O	Function	Pin no.	Name	I/O	Function
1	MDIO	I/O	Management Independent Interface (MII) Data I/O.	25	INT#/PHYAD0	lpd/O	Management Interface (MII) Interrupt Out.
2	MDC	I	MII Clock Input.	26	LED0/TEST	lpd/O	Link/Activity LED Output.
3	RXD3/PHYAD	lpd/O	MII Receiver Data Output.	27	LED1/SPD100/noFEF	lpd/O	Speed LED Output.
4	RXD2/PHYAD2	lpd/O		28	LED2/	lpd/O	Full-duplex LED Output.
5	RXD1/PHYAD3	lpd/O		29	LED3/NWAYEN	lpd/O	Collision LED Output.
6	RXD0/PHYAD4	lpd/O		30	PD#	lpd	Power Down. 1=Normal operation, 0=Power-down, Active low.
7	VDDIO	Pwr	Digital IO 2.5/3.3V tolerant power supply.	31	VDDRX	Pwr	Analog 2.5V power supply.
8	GND	GND	Ground.	32	RX-	I	Receive Input: Differential receive input pins for 100FX, 100BaseTX, or 10BaseT.
9	RXDV/CRSDV/PCS_LPBK	lpd/O	MII Receiver Data Valid Output.	33	RX+	I	
10	RXC	O	MII Receiver Clock Output. Operating at 25MHz=100Mbps, 2.5MHz=10Mbps.	34	FXSD/FXEN	lpd/O	Fiber Mode Enable/Signal Detect in Fiber Mode.
11	RXER/ISO	lpd/O	MII Receiver Error Output.	35	GND	GND	Ground.
12	GND	GND	Ground.	36	GND	GND	
13	VDDC	Pwr	Digital core 2.5V only power supply.	37	REXT	I	External resistor (6.49 kΩ) connects to REXT and GND.
14	TXER	lpd	MII Transmit Error Input.	38	VDDRCV	Pwr	Analog 2.5V power supply.
15	TXC/REFCLK	I/O	MII Transmit Clock Output.	39	GND	GND	Ground.
16	TXEN	lpd	MII Transmit Enable Input.	40	TX-	O	Transmit Outputs: Differential transmit output for 100FX, 100BaseTX, or 10BaseT.
17	TXD0	lpd	MII Transmit Data Input.	41	TX+	O	
18	TXD1	lpd		42	VDDTX	Pwr	Transmitter 2.5V power supply.
19	TXD2	lpd		43	GND	GND	Ground.
20	TXD3	lpd	44	GND	GND		
21	COL/RMII	lpd/O	MII Collision Detect Output.	45	XO	O	XTAL feedback: Used with X1 for Xtal application.
22	CRS/RMII_BT B	lpd/O	MII Carrier Sense Output.	46	XI	I	Crystal Oscillator Input: Input for a crystal or an external 25 MHz clock.
23	GND	GND	Ground.	47	VDDPLL	Pwr	Analog PLL 2.5V power supply.
24	VDDIO	Pwr	Digital IO 2.5/3.3V tolerant power supply.	48	RST#	lpu	Chip Reset. Active low, minimum of 50μs pulse is required.

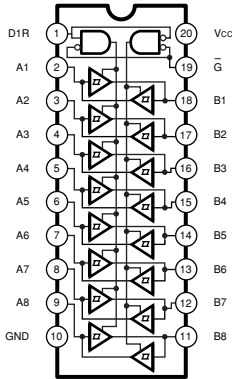
• **LC4032V-75TN48C (X7109A00) CPLD (Complex Programmable Logic Device)**

CPU: IC014

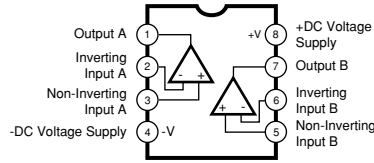
PIN No.	NAME	I/O	FUNCTION	PIN No.	NAME	I/O	FUNCTION
1	TDI	I	Test data in	25	TMS	I	Test mode select
2	A5	I/O	Input/Output	26	B5	I/O	Input/Output
3	A6	I/O		27	B6	I/O	
4	A7	I/O		28	B7	I/O	
5	GND0	-		29	GND1	-	
6	VCCO0	-	Power supply +3.3 V	30	VCCO1	-	Power supply +3.3 V
7	A8	I/O	Input/Output	31	B8	I/O	Input/Output
8	A9	I/O		32	B9	I/O	
9	A10	I/O		33	B10	I/O	
10	A11	I/O		34	B11	I/O	
11	TCK	I	Test clock input	35	TDO	O	Test data out
12	VCC	-	Power supply +3.3 V	36	VCC	-	Power supply +3.3 V
13	GND	-	Ground	37	GND	-	Ground
14	A12	I/O	Input/Output	38	B12	I/O	Input/Output
15	A13	I/O		39	B13	I/O	
16	A14	I/O		40	B14	I/O	
17	A15	I/O		41	B15/GOE1	I/O	
18	CLK1/I	I/O	CLK input/Input	42	CLK3/I	I/O	CLK input/Input
19	CLK2/I	I/O		43	CLK0/I	I/O	
20	B0	I/O	Input/Output	44	A0/GOE0	I/O	Input/Output / Global output enable input
21	B1	I/O		45	A1	I/O	Input/Output
22	B2	I/O		46	A2	I/O	
23	B3	I/O		47	A3	I/O	
24	B4	I/O		48	A4	I/O	

IC BLOCK DIAGRAM (IC ブロック図)

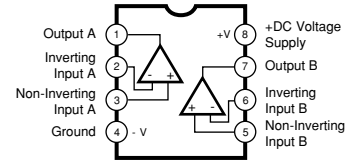
- 74VHC245MTCX_NF40** (X0296A00)
 Bus Transceiver
 CPU: IC003



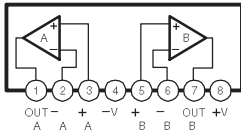
- NJM2068M-D (TE2)** (X3505A00)
 Operational Amplifier
 ANA: IC401, 402



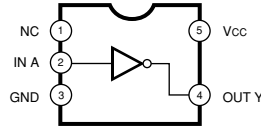
- NJM2904V (TE1)** (XR532A00)
 Operational Amplifier
 CPU: IC010



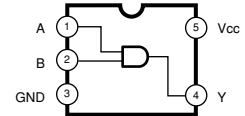
- NJM4556AL** (XP844A00)
 Operational Amplifier
 ANA: IC105, 106, 205, 206, 305, 306



- SN74AHC1G04DCKR** (X4137A00)
 Inverter
 CPU: IC008
 ENT: IC110



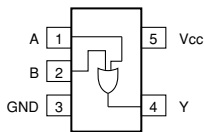
- SN74AHC1G08DCKR AN** (X3833A00)
 Quad 2 Input AND
 CPU: IC015
 ENT: IC114



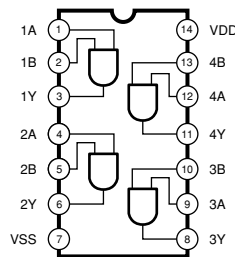
FUNCTION TABLE

INPUTS		OUTPUT
A	B	Y
H	H	H
L	X	L
X	L	L

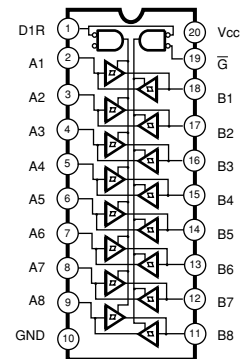
- SN74AHC1G32DCKR** (X4642A00)
 Single 2 Input Positive OR Gate
 ENT: IC111



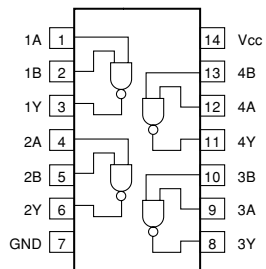
- SN74AHC1G08PWR** (X3824A00)
 Quad 2 Input AND
 DSP: IC261



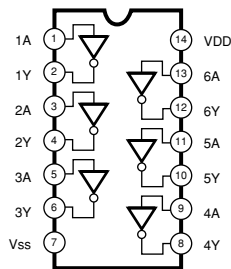
- SN74AHC1G245PWR** (X2709A00)
 Bus Transceiver
 DSP: IC016, 059, 250, 253, 258



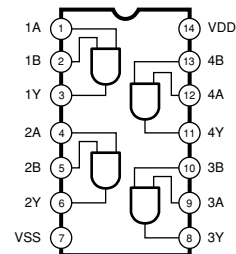
- **SN74LV00APWR (X4460A00)**
Quad 2 Input Positive NAND Gate
DSP: IC050



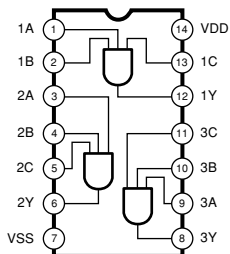
- **SN74LV04APWR (X5965A00)**
Inverter
DSP: IC003, 018, 053, 257



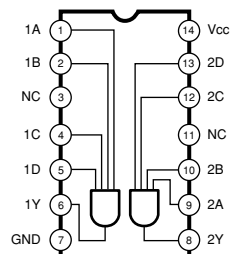
- **SN74LV08APWR (X4463A00)**
Quad 2 Input AND
DSP: IC051



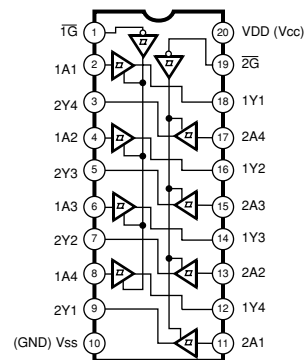
- **SN74LV11APWR (X3516A00)**
Triple 3 Input AND
DSP: IC011



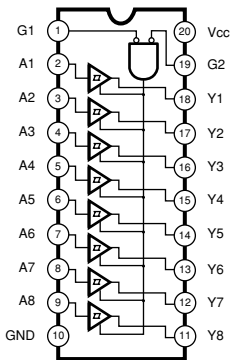
- **SN74LV21APWR (X2377A00)**
Dual 4 Input AND
CPU: IC020



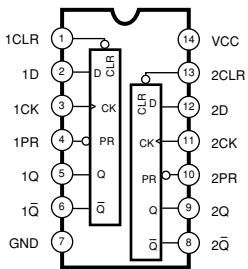
- **SN74LV244APWR (X3292A00)**
Octal 3-State Bus Buffer
ANA: IC701, 703
DSP: IC152, 300, 450, 451



- **SN74LV541APWRBUS B (X5966A00)**
Octal 3-State Buffer
DSP: IC015

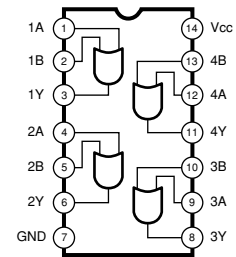


- **SN74LV74APWR (X5534A00)**
Dual D-Type Flip-Flop
DSP: IC056

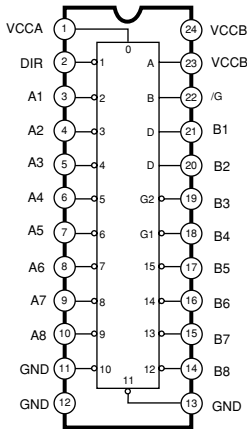


INPUTS				OUTPUTS	
PR	CLR	CLK	D	Q	Q̄
L	H	X	X	H	L
H	L	X	X	L	H
L	L	X	X	H	H
H	H	f	H	H	L
H	H	f	L	L	H
H	H	L	X	Q _o	Q _o

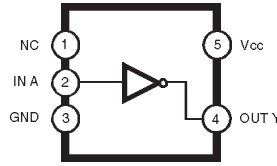
- **SN74LVC32APWR OR (X5405A00)**
Quad 2 Input OR
ENT: IC115



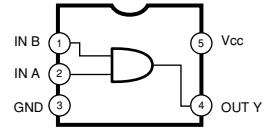
- **SN74LVCC4245APWR** (X3096A00)
Dual Supply Octal Bus Transceiver
DSP: IC251



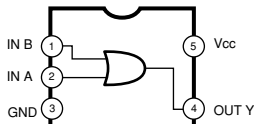
- **TC7SH04FU** (XS775A00)
Inverter
ENT: IC110



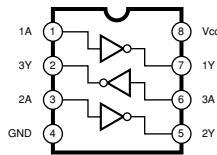
- **TC7SH08FU** (XR680A00)
2 Input AND Gate
ENT: IC114



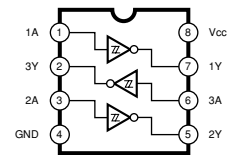
- **TC7SH32FU** (XW633A00)
Input OR Gate
ENT: IC111



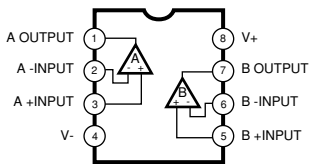
- **TC7WH04FU** (XY363A00)
Triple Inverter
ANA: IC704



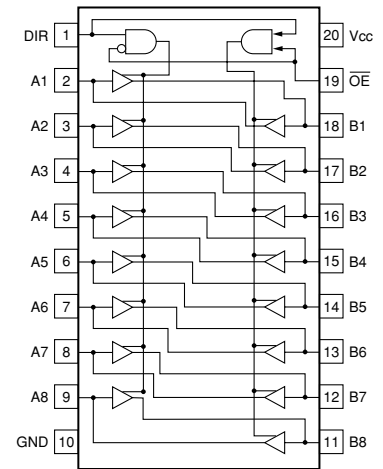
- **TC7WH14FU** (XY806A00)
Schmitt Inverter
CPU: IC032



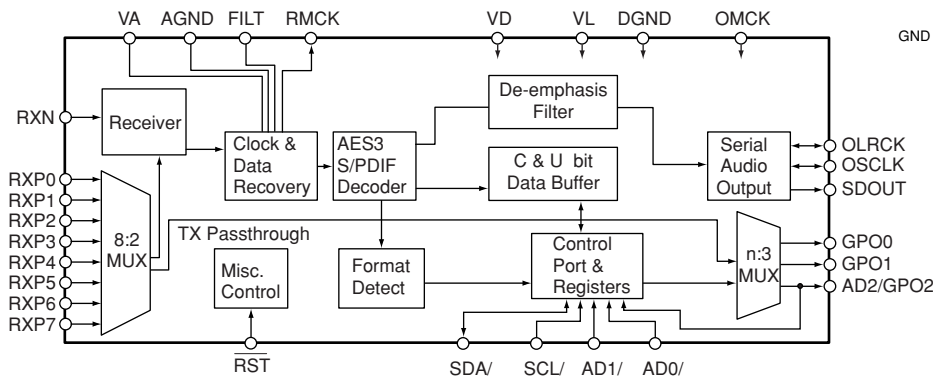
- **uPC4570G2-E1-A** (X7351A00)
Dual Operational Amplifier
ANA: IC103, 104, 203, 204, 303, 304, 403, 404



- **SN74LV245APWR** (X3693A00, XZ287A00)
Octal 3-State Bus Transceiver
ANA: IC702 (X3693A00)
CPU: IC021-026 (XZ287A00)
DSP: IC005-010 (X3693A00)
IC012-014 (X3693A00)
IC017 (X3693A00)
IC061-064 (X3693A00)
ENT: IC101-104 (X3693A00)



- **CS8416-CZZR** (X7363A00)
Digital Audio Interface Receiver
ANA: IC601



■ CIRCUIT BOARDS (シート基板図)

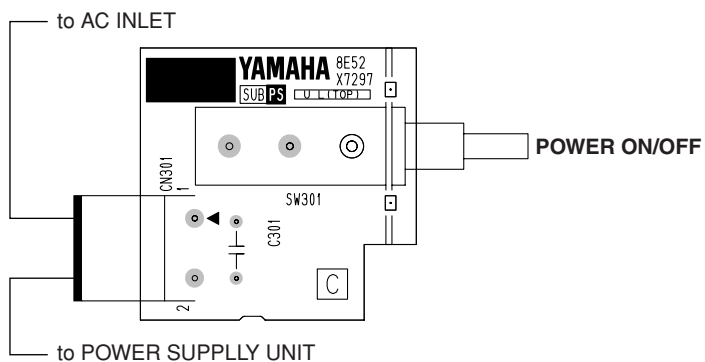
CONTENTS (目次)

• PS Circuit Board	(X7297C0)	26
• PN Circuit Board	(X7297C0)	27
• ANA Circuit Board	(X7298C0)	28
• CPU Circuit Board	(X6028C0)	30
• ENT Circuit Board	(X7295C0)	31
• DSP Circuit Board	(X7296C0)	32
• DC Circuit Board	(X7297C0)	34

Note: See parts list for details of circuit board component parts.

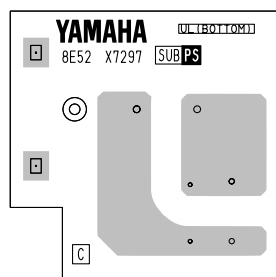
注: シートの部品詳細はパーツリストをご参照ください。

• PS Circuit Board



Component side (部品側)

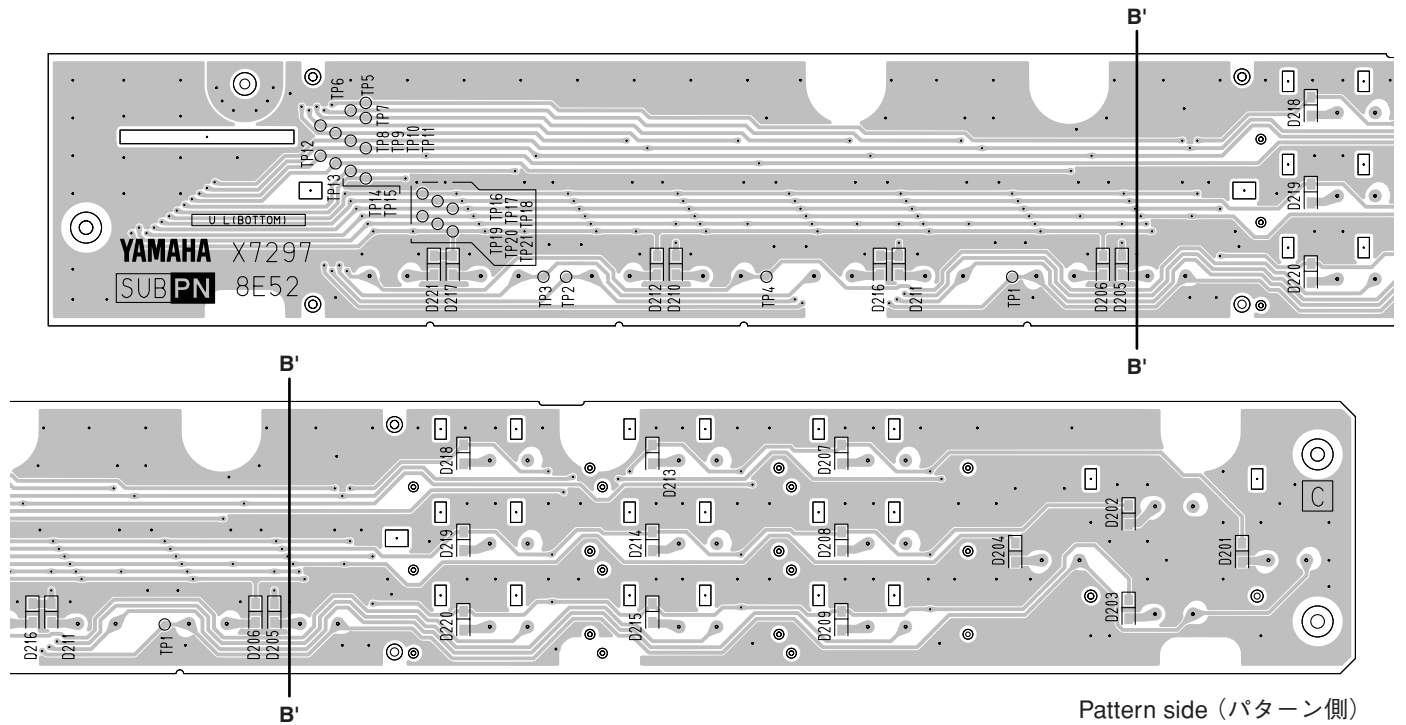
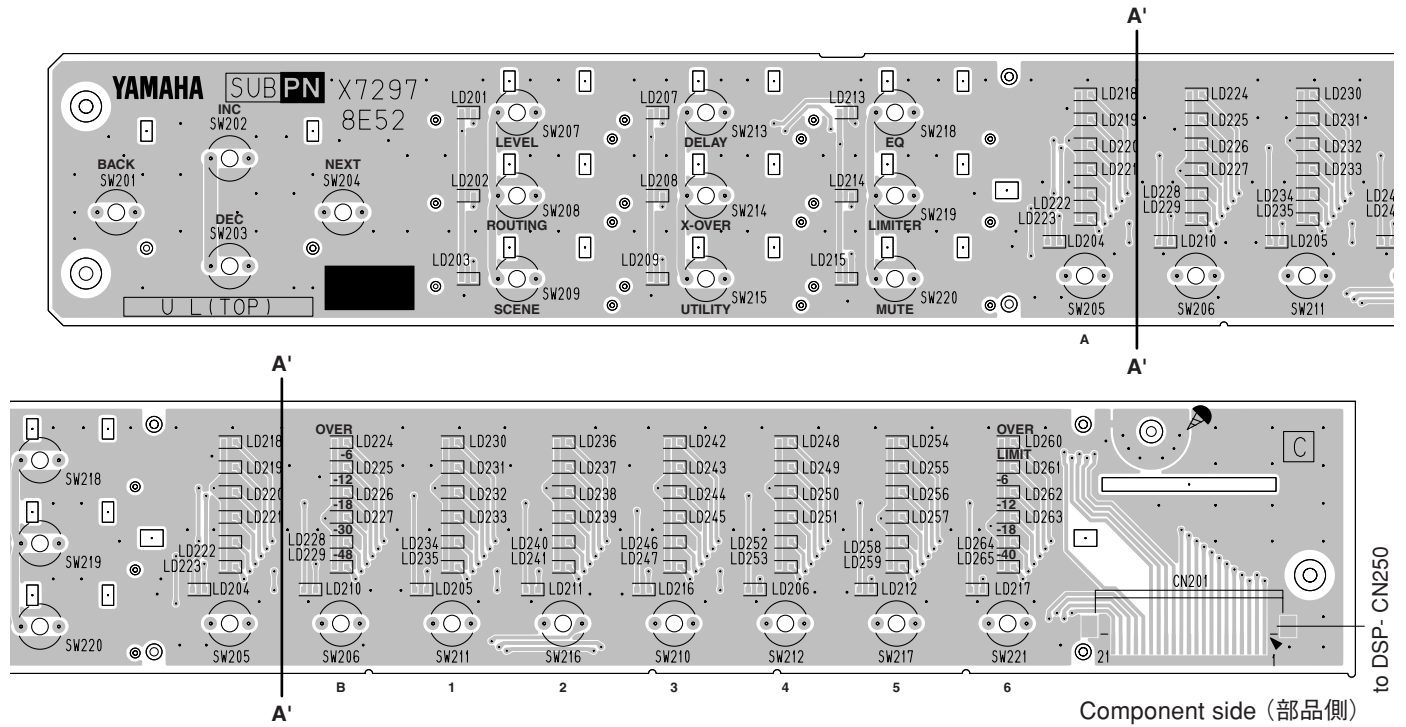
2NA-WG30340



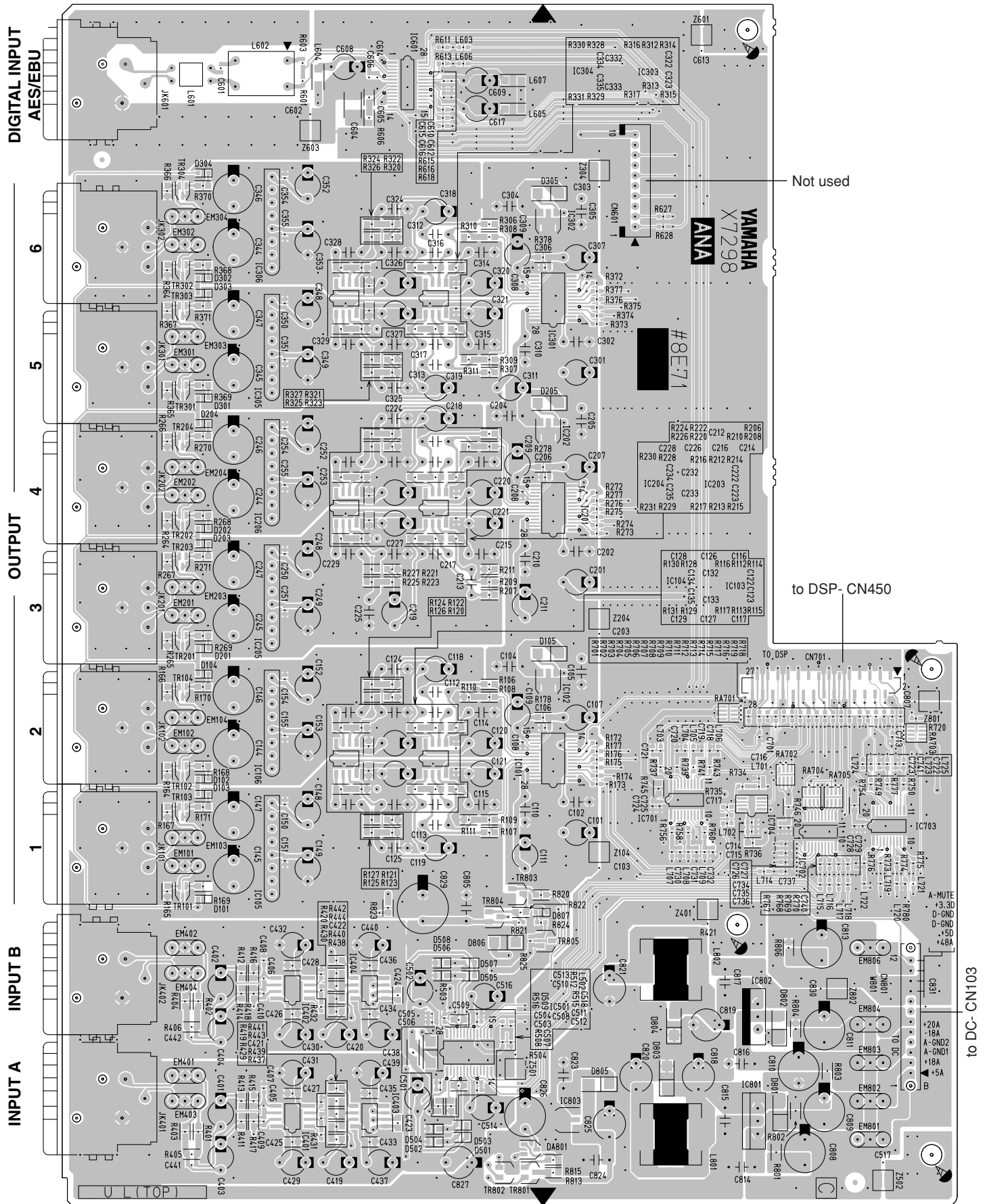
Pattern side (パターン側)

2NA-WG30340

• PN Circuit Board



• ANA Circuit Board

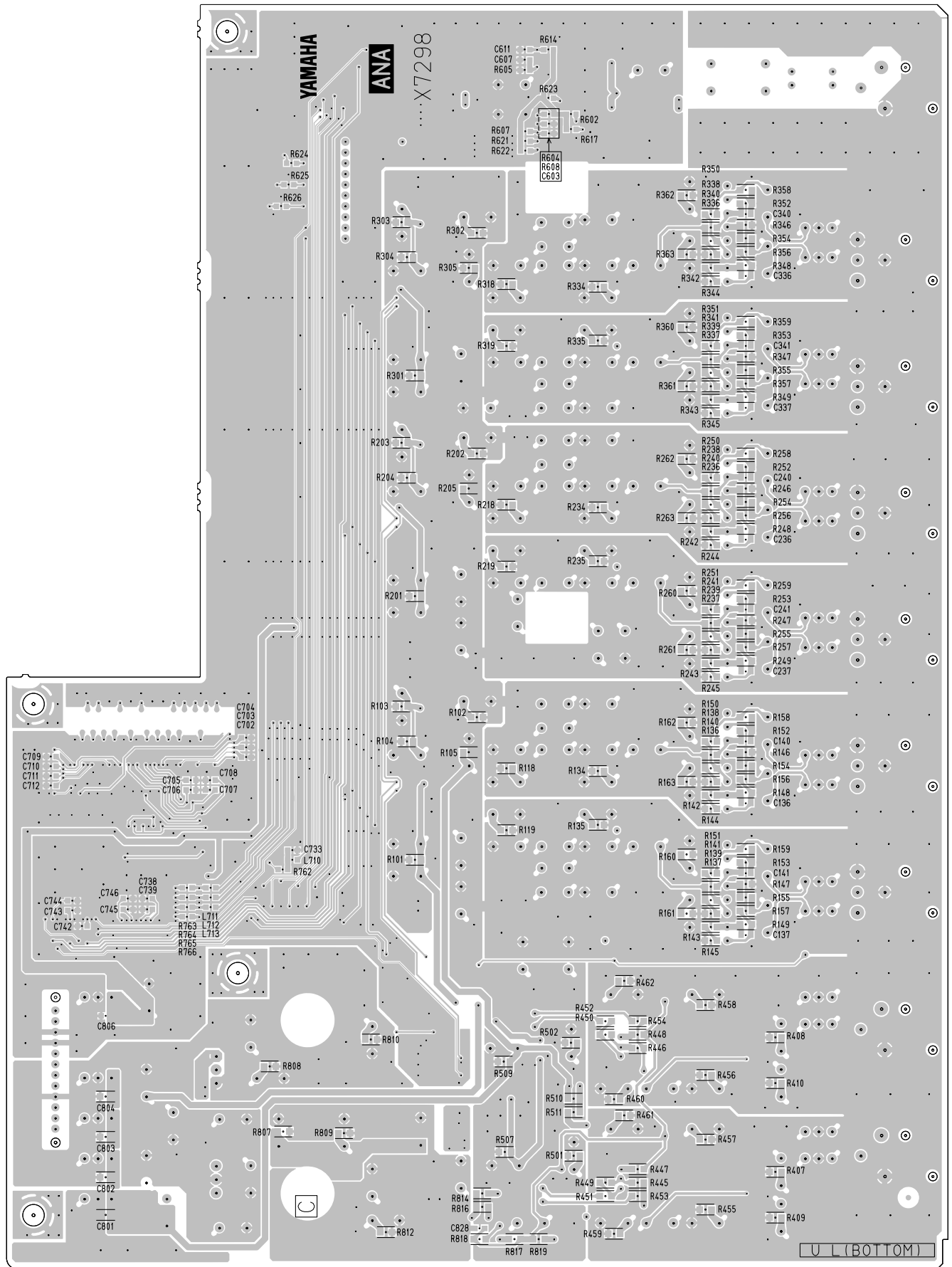


Not used

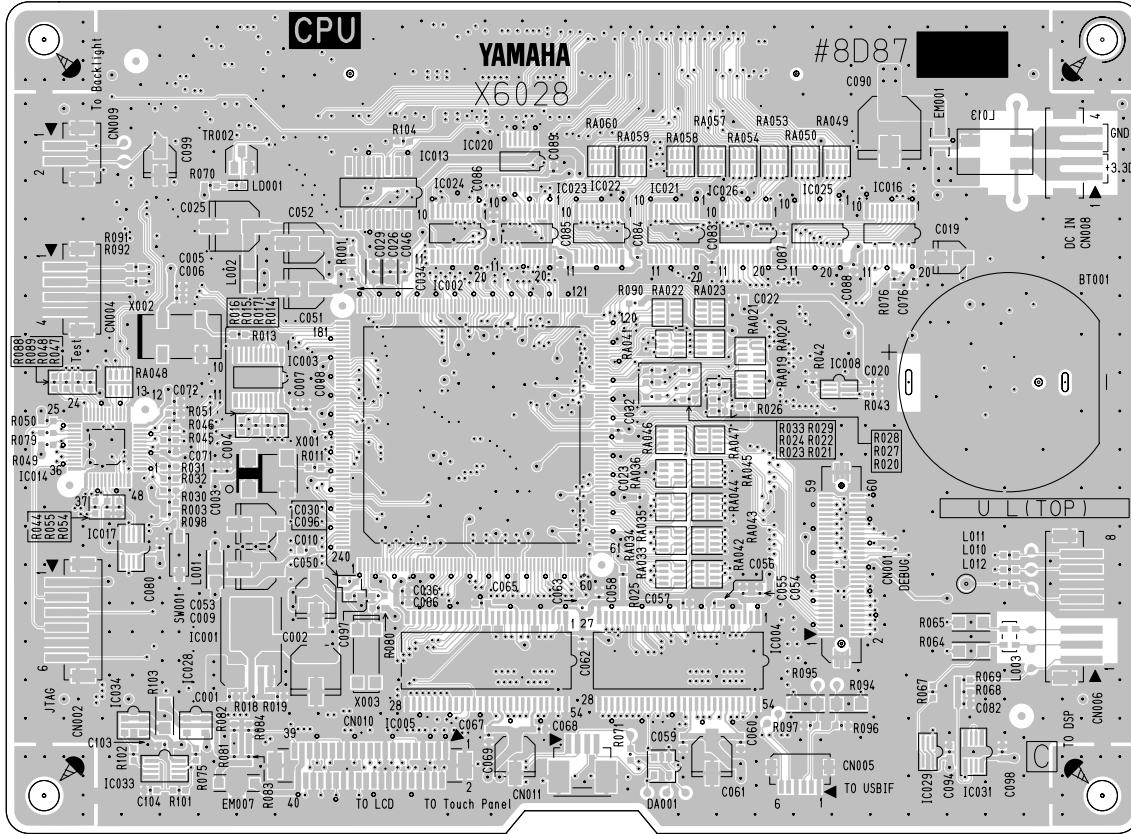
to DSP - CN450

to DC - CN103

• ANA Circuit Board

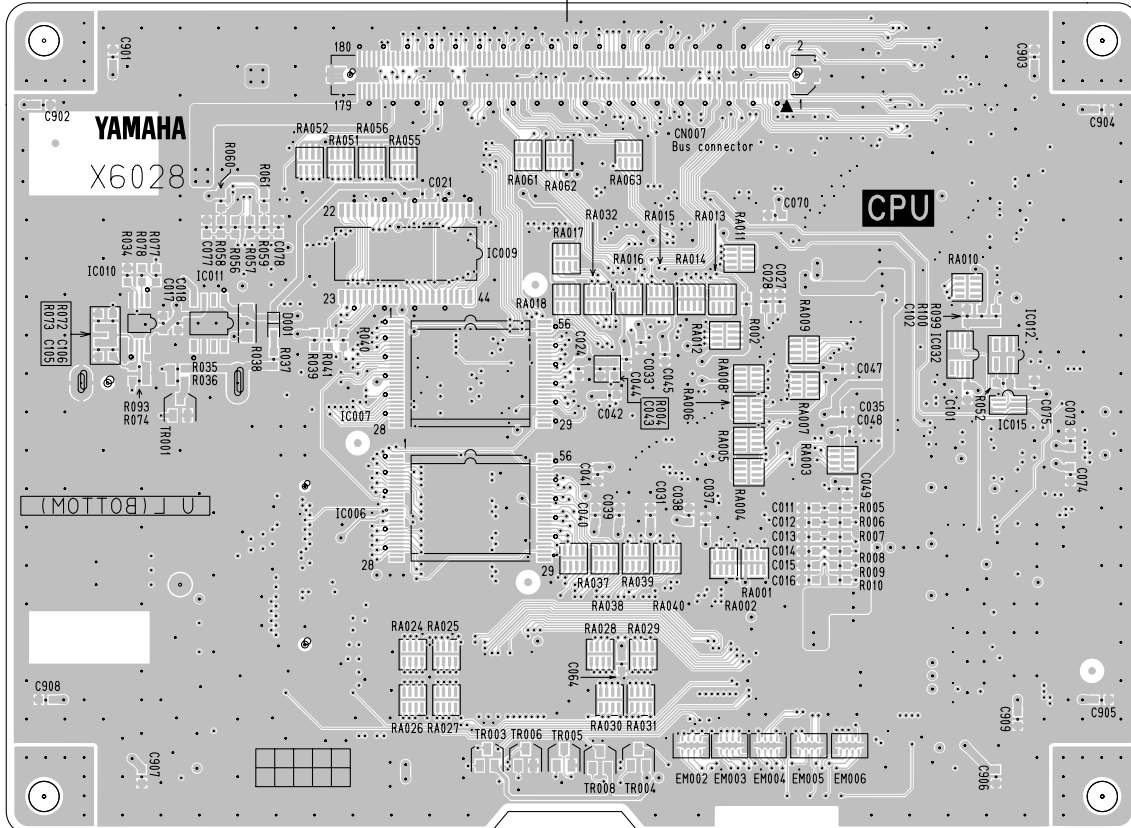


• CPU Circuit Board



Component side (部品側)

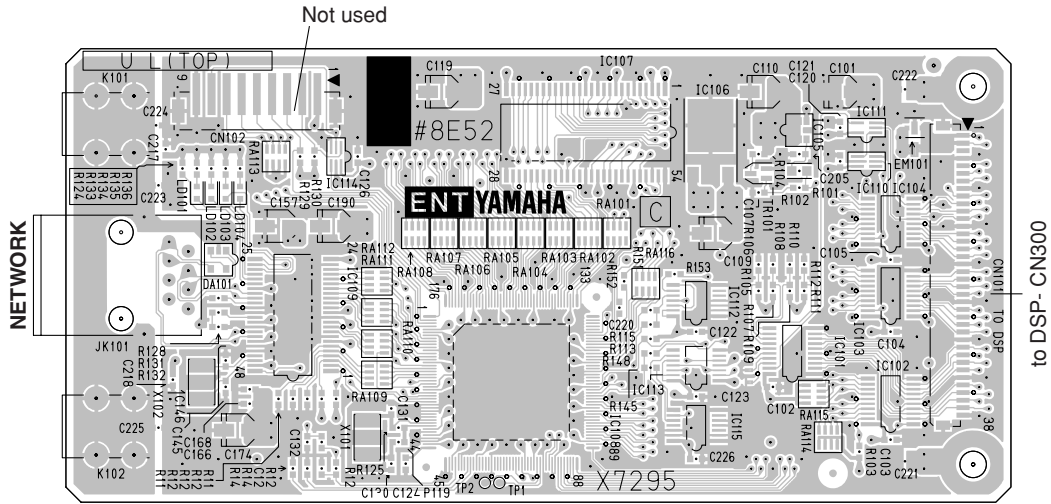
to DSP - CN001



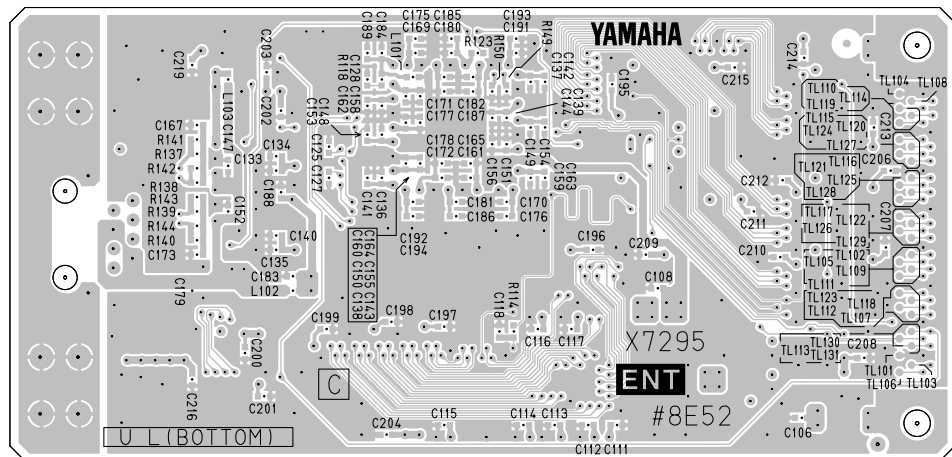
Pattern side (パターン側)

2NA-WG30150

• ENT Circuit Board

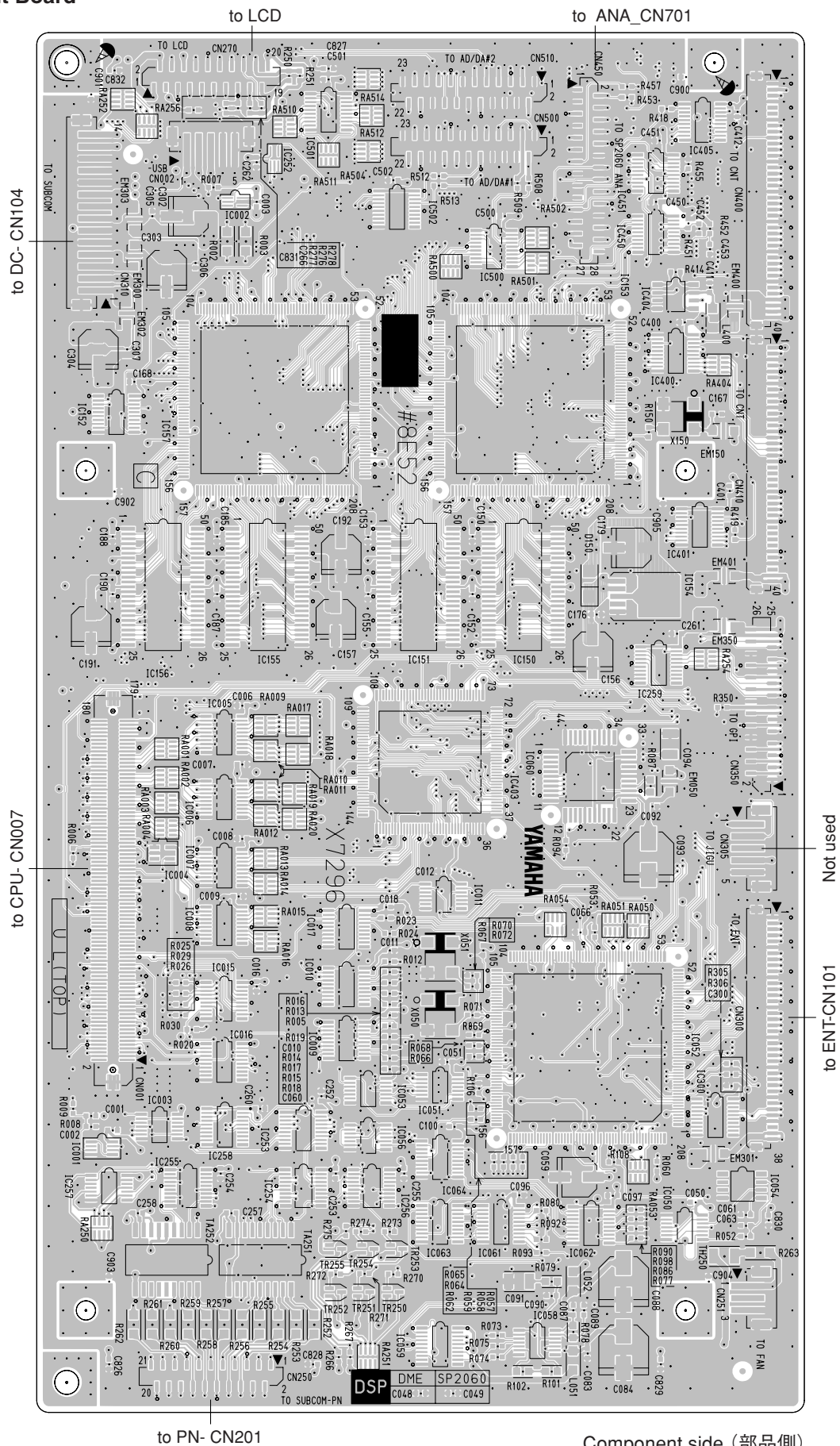


Component side (部品側)



Pattern side (パターン側)

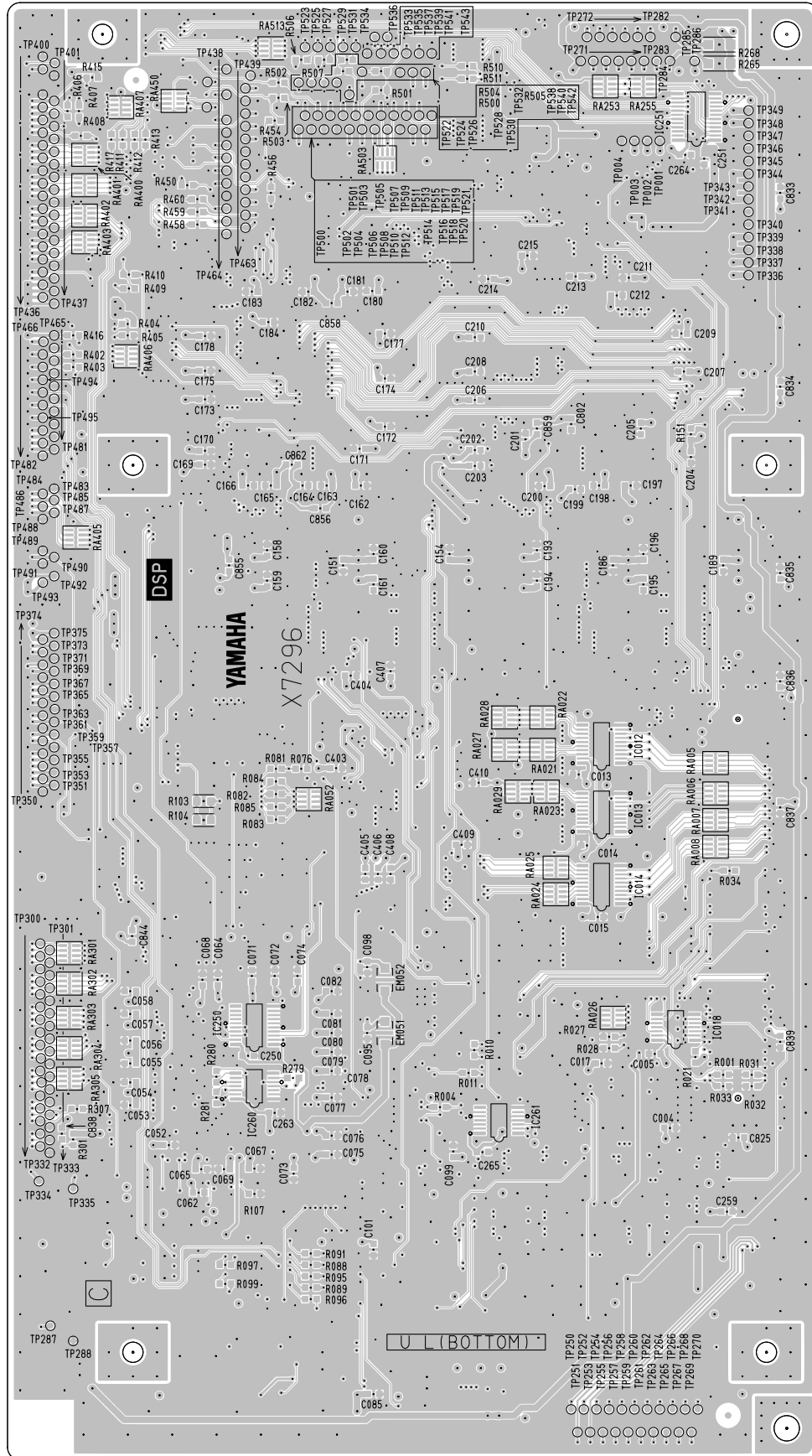
• DSP Circuit Board



Component side (部品側)

2NA-WG30170

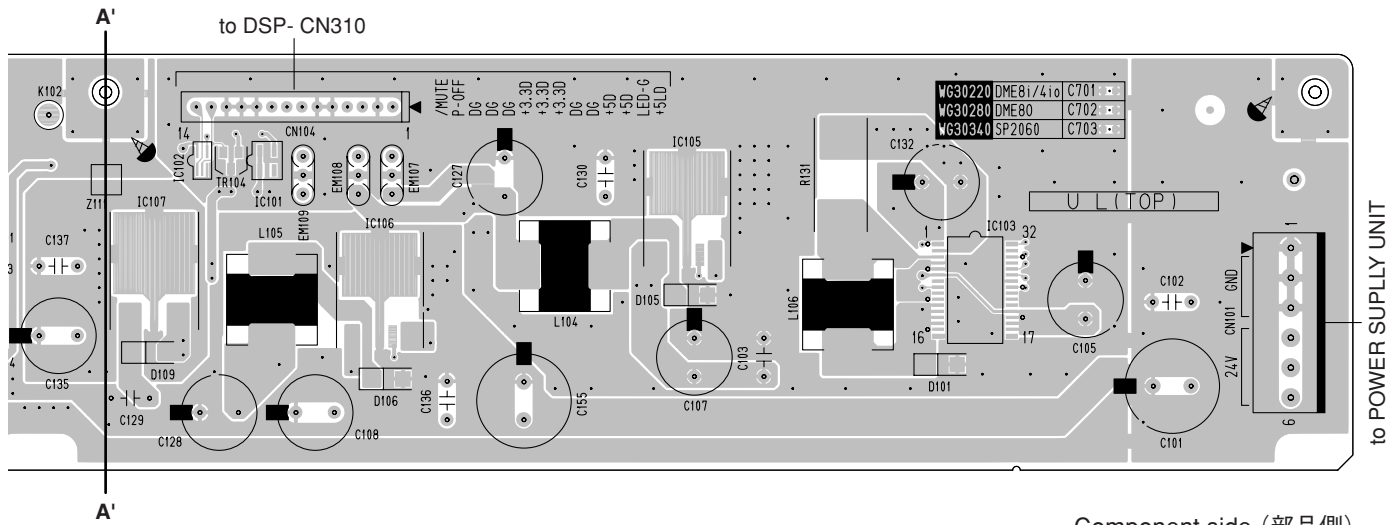
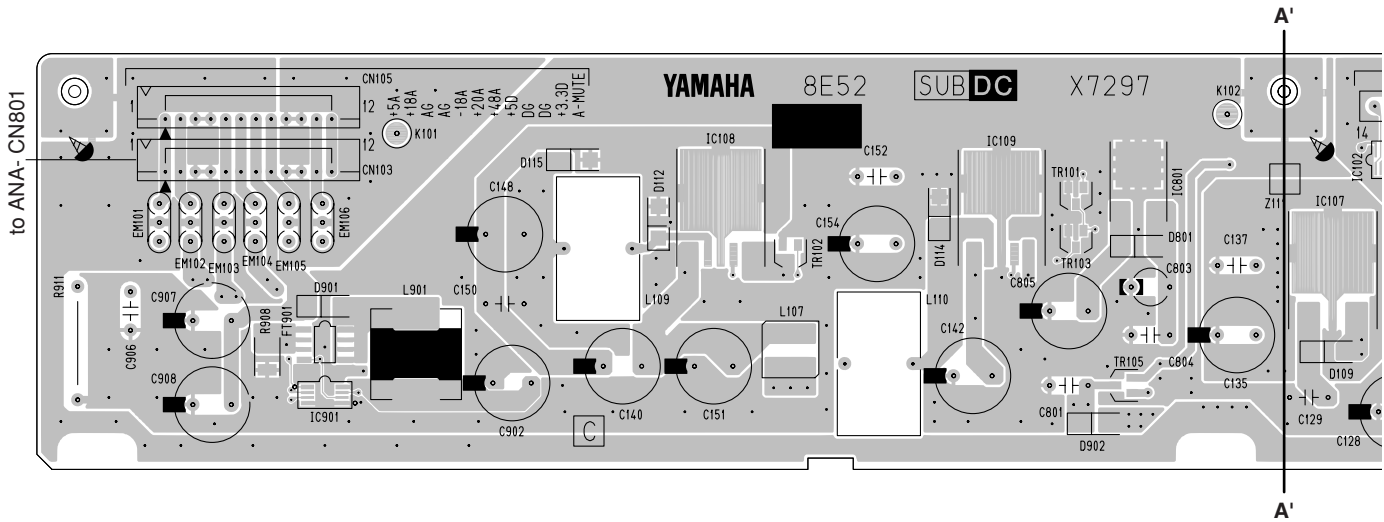
• DSP Circuit Board



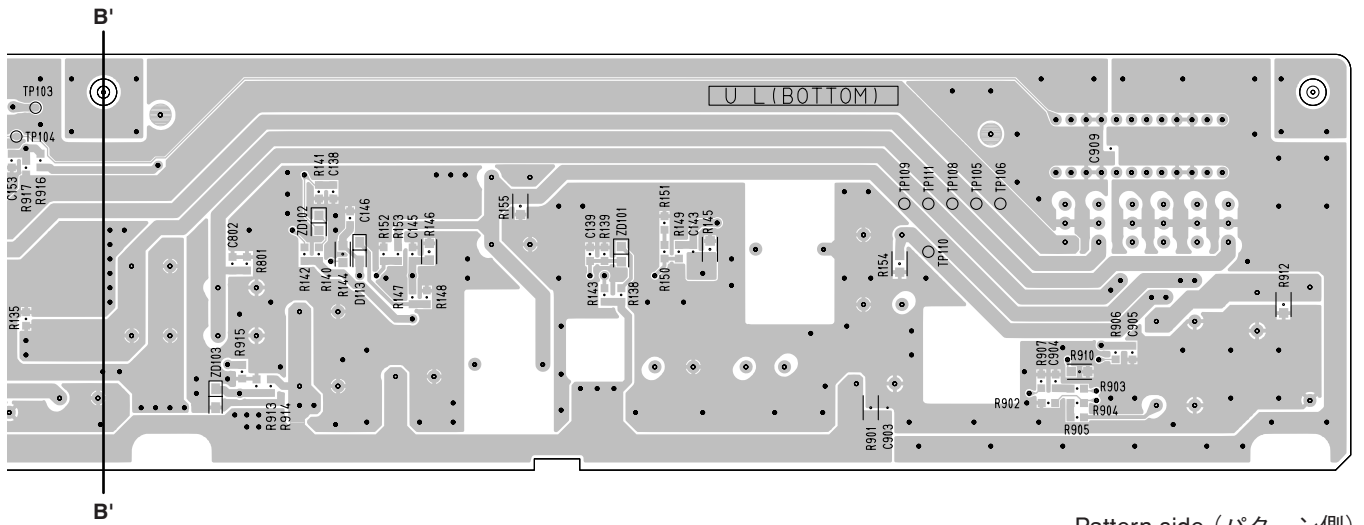
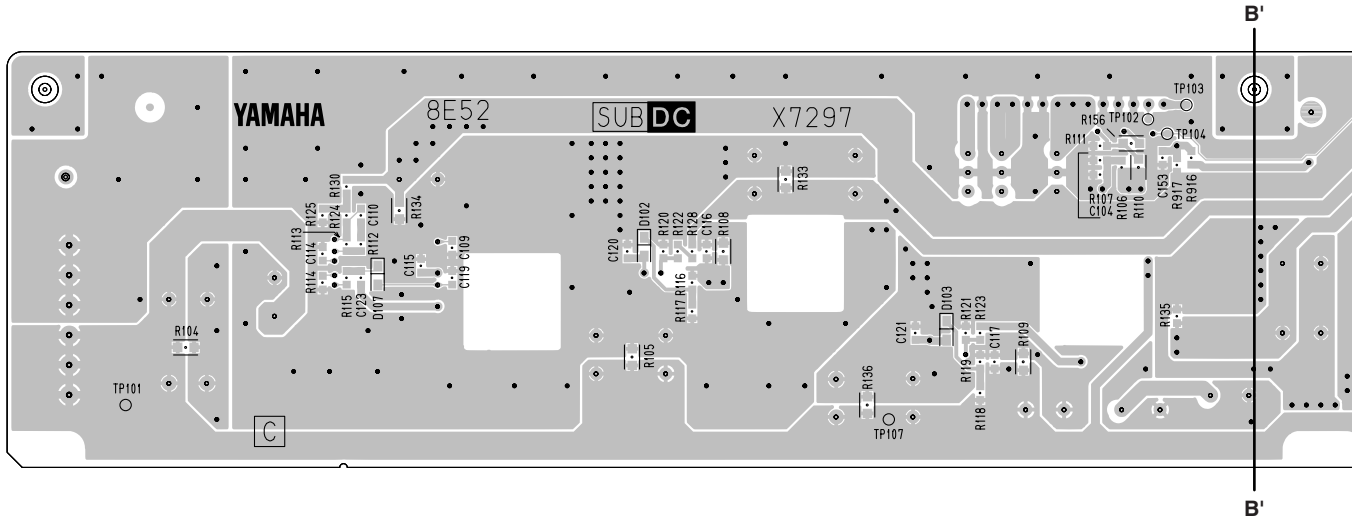
Pattern side (パターン側)

2NA-WG30170

• DC Circuit Board



• DC Circuit Board



Pattern side (パターン側)

■ TEST PROGRAM

Caution

Before executing the test program, save the data to an external device (such as a computer) with the backup function of the DME Designer (version 2.0 or later).

For more information on the operation, refer to the DME Designer (version 2.0 or later) owner's manual.

1. Preparation

1-1. Required items

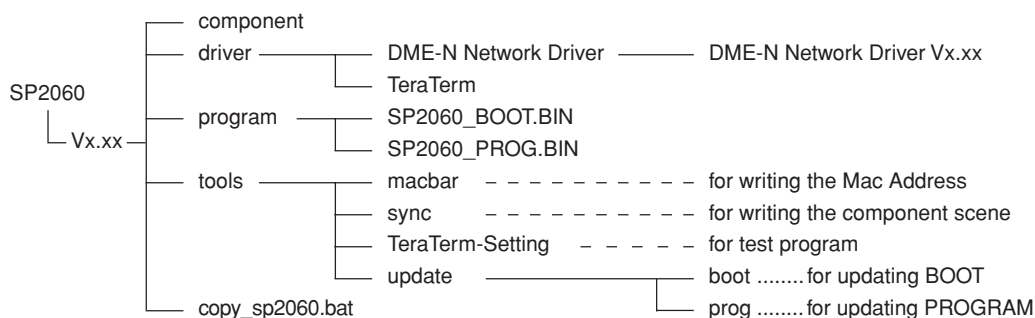
- SP2060 main unit
- Equipment with the AES/EBU digital output connector (ex. SPX2000) : 1 pc
- LAN cross cable : 1 pc
- XLR (AES/EBU) cable : 1 pc
- Personal Computer; DOS/V machine (P-200MHz or faster, Windows 2000/XP, Ethernet port) : 1 pc

1-2. Personal Computer Setting

- ① Download the SP2060 data package from the YSISS homepage.

(URL >> <http://plaza.yamaha.co.jp/ysiss/exindex.nsf>)

The following is the SP2060 data package composition.



x.xx: Version Number

- ② Double click on "copy_sp2060.bat".

Then the all files of the SP2060 data package are copied to C:¥TOOLS_SP2060 automatically.

The files are overwritten even when the C:¥TOOLS_SP2060 folder is already made and the files are in it.

- ③ Installing TeraTerm.

Double click on "setup.exe" of ¥ Driver ¥ TeraTerm.

Then the Tera Term Pro Setup screen is displayed.

After this, follow the direction displayed on screen until finish the installing.

- ④ Installing DME-N Network Driver.

Double click on "setup.exe" of ¥ Driver ¥ DME-N Network Driver ¥ DME-N Network Driver Vx.xx.

Then the YAMAHA DME-N Network Driver-Install Shield Wizard is activated.

After this, follow the direction displayed on screen until finish the installing.

- ⑤ Setting Ethernet.

(Control panel → Network connection → Local area connection → Property → TCP/IP property: In case of Windows XP)

IP Address	192.168.0.1
Sub-net mask	255.255.255.0

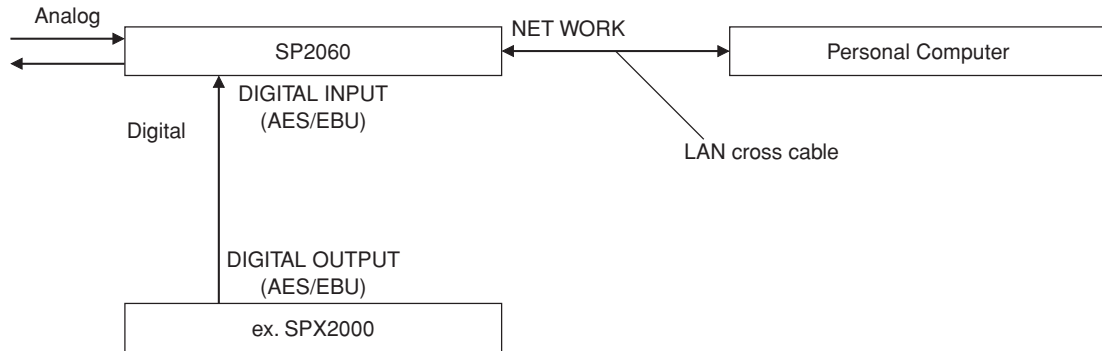
- ⑥ Setting DME-N Network Driver.

(Control panel → DME-N Network Driver)

Device No.	1
Device Name	ZONE1
IP Address	192.168.0.2
Protect No.	00.A0.DE.25.00.00
Device ID	1
TCP-KEEPALIVE	on (☉)

1-3. Connection

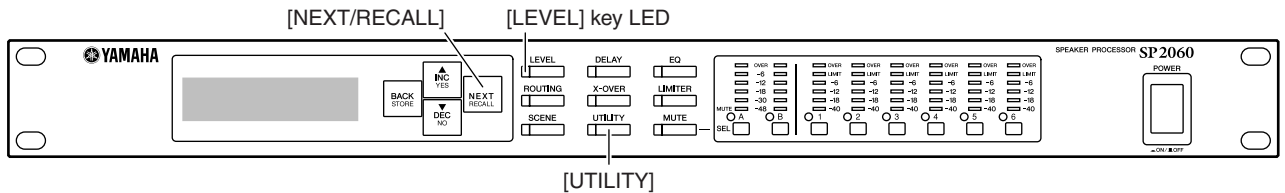
Connect the NETWORK connector of the SP2060 to the LAN connector of the personal computer with the LAN cross cable. Connect the DIGITAL OUTPUT connector of the equipment with digital out (AES/EBU), for example SPX2000, to the DIGITAL INPUT connector of SP2060 with the XLR (AES/EBU) cable.



SP2060 Connection Diagram

2. Operation

- 2-1. While pressing the [UTILITY] and [NEXT/RECALL] keys, turn on the power to the SP2060 and keep pressing the [UTILITY] and [NEXT/RECALL] keys. Then the test program is activated, and about ten seconds later the [LEVEL] key LED lights up when the Ethernet connection is available.



- 2-2. Click on "diag_start" of C: ¥ TOOLS_SP2060 ¥ tools ¥ TeraTerm-Setting. Then the TeraTerm is activated.
- 2-3. When the "Press [ENTER]" is displayed on the personal computer, press the [ENTER] key of the personal computer. Then the testing category selection list screen is displayed.

Example of testing category selection list screen

```

** Diag Category Menu **

* 01 Product-SP2060
  02 CPU Sheet
  03 DSP Sheet
  04 ANA Sheet
  05 SUB Sheet
  06 ==> Exit Diag Mode

      [ENTER] :AUTO, [0] :MANUAL

Ethernet Mac Address  00.A0.DE.25.15.8E

Boot Version          V1.00
Program Version       V1.00
    
```

*: Each of the SP2060 has different number.

Note:

When "Connection timed out" is displayed, relaunch the TeraTerm.
 When "Connection timed out" is displayed again even after relaunches the TeraTerm, turn off the power to the SP2060, check the connection of the LAN cross cable, and then follow from "1-2. Personal Computer Setting" again.

- 2-4. Press the [↓] and [↑] keys of the personal computer to move “*” mark at the position of “01 Product-SP2060”, and press the [0] (zero) key. (The manual mode is selected.)
Then the testing item selection list screen is displayed.

Example of testing item selection list screen

```

** Diag Mode **
  Total Result [ ]

* 00 RESERVE-SP2060
  01 SRAM           OK }
  02 BATTERY        OK } --- Test results
  03 PLLP2          NG }
  04 DSP7
  10 WCLK
  13 LCD
  14 LED
  15 SW
  17 DIGITAL IN
  20 ANALOG
  21 ==> Category Menu
    
```

- 2-5. Press the [↓] and [↑] keys of the personal computer to move “*” mark at the position of the test item which you wish to execute and press the [ENTER] key. Then the selected test is started.
- The test items No. 01, 02, 03, 04 and 10 are executed automatically.
 - The test items No. 13 and 14 are executed visually.
 - The test items No. 15, 17 and 20 are executed semi automatically.
- 2-6. The test results, OK or NG, are displayed on the testing item selection list screen.

Test items table

No.	Test item	Outline of tests	Judge
01	SRAM	Check the address bus and data bus.	Auto
02	BATTERY	Check the voltage of the back-up battery.	Auto
03	PLLP2	Check the register of the gate array PLLP2 by reading/writing.	Auto
04	DSP7	Check the register of DSP7 by reading/writing.	Auto
10	WORD CLOCK	Count the Fs of the oscillator using WCLK IN and check the lock state of PLL.	Auto
13	LCD	Check that the entire screen is displayed in black and white.	Visual check
14	LED	Check that the LED lights in the specified order.	Visual check
15	SWITCH	Check switches by pressing them in the specified order.	Semi-auto
17	DIGITAL IN	Check the word clock audio data using DIGITAL IN.	Semi-auto
20	ANALOG	Check the mute control.	Semi-auto

3. Outline of Tests

3-1. SRAM Test (NO. 01)

Content: Checks Address Bus and Data Bus of SRAM.

Example of execution screen

<pre>*** 01. SRAM *** SRAM AddressBus OK! SRAM DataBus OK! EXIT: [ENTER]</pre>	} ————— Displayed at OK
<pre>*** 01. SRAM *** SRAM AddressBus NG! SRAM DataBus NG! EXIT: [ENTER]</pre>	} ————— Displayed at NG

Messages:

- When address bus access abnormality is detected: NG: SRAM AddressBus NG!
- When data bus access abnormality is detected: NG: SRAM DataBus NG!

Troubleshooting:

The SRAM (CPU circuit board: IC009) may be defective.
 Or check the connection between SRAM and CPU (CPU circuit board: IC002).

Notes:

When SRAM test is executed, the data stored in the SRAM will be cleared.
 After SRAM test is executed, initialize the SRAM (CURRENT BACKUP or FACTORY SETUP). (Refer to 68 page.)

3-2. BATTERY Test (NO. 02)

Content: Measures and checks the backup battery voltage with A/D automatically.
 Also the measured battery voltage is displayed.

Example of execution screen

<pre>*** 02. BATTERY *** VOLTAGE:3.05 [V] OK.</pre>	} ————— Displayed at OK
<pre>VOLTAGE:2.50 [V] NG:BATTERY LOWER ERROR!</pre>	} ————— Displayed at NG
<pre>EXIT: [ENTER]</pre>	

Messages:

- At battery over voltage: NG: BATTERY OVER ERROR!
- At lower battery voltage: NG: BATTERY LOWER ERROR!
- At shortage of battery voltage: NG: BATTERY EMPTY ERROR!

Troubleshooting:

Check the backup battery (CPU circuit board: BT001).
 Or check the route from the backup battery to PTK[1] (114pin) and AN[6] (238pin) of CPU (CPU circuit board: IC002).

Applicable Range of Measured Voltage:

- Acceptable voltage range : 2.80 [V] -3.50 [V]
- Over voltage : 3.51 [V] or above
- Low voltage : 2.79 [V] -0.51 [V]
- Voltage shortage : 0.5 [V] or below

3-3. PLLP2 Test (NO. 03)

Content: Compares and checks registers (00h, 0Fh, 10h, 16h) of the PLLP2 by writing and reading them.

Example of execution screen

<pre> *** 03. PLLP2 *** 0x00 W/R OK! 0x0F W/R OK! 0x10 W/R OK! 0x16 W/R 0x16 W:0x0F R:0x00 EXIT: [ENTER] </pre>	<p>} ————— Displayed at OK</p> <p>————— Displayed at NG</p>
-----------------------------------------------------------------------------------------------------------------	-------------------------------------------------------------

Troubleshooting:

In case of NG, check the signal line, such as the address bus, data bus and control signal, connected between PLLP2 (DSP circuit board: IC502) and CPU (CPU circuit board: IC002).

Or the PLLP2 may be defective.

3-4. DSP7 Test (NO. 04)

Content: Writes and reads register of DSP7 to check the DataBus and AddressBus for normality. SDRAM of DSP7 is written and read via registers to compare and check.

Example of execution screen

(1) Display Screen at OK

```

*** 04. DSP7 ***

DSP7 CPUIF DATABUS---
CHIP #0 OK!
DSP7 CPUIF ADRBUS---
CHIP #0 OK!
DSP7 CPUIF CHIPSEL---
CHIP #0 OK!
DSP7 ERAMIF DATABUS---
CHIP #0 OK!
DSP7 ERAMIF ADRBUS---
CHIP #0 OK!
...THE END OF DIAGNOSTICS
-----
ALL TESTS ARE OK(^-^)
-----

EXIT: [ENTER]

```


(2) Display Screen at NG

```

*** 04. DSP7 ***

DSP7 CPUIF DATABUS---
CHIP #0 OK!
DSP7 CPUIF ADRBUS---
CHIP #0 OK!
DSP7 CPUIF CHIPSEL---
CHIP #0 OK!
DSP7 ERAMIF DATABUS---
CHIP #0 NG!
DSP7-1
ffffff
DSP7 ERAMIF ADRBUS---
CHIP #0 NG!
DSP7-1
000000f
...THE END OF DIAGNOSTICS
=====
DSP DIAG NG (-_-)
=====

EXIT: [ENTER]

```

When NG, the testing item determined as NG are displayed along with its details.

Troubleshooting:

In case of NG, check the DSP7 (IC153 of DSP circuit board) and peripheral circuit.

3-5. WORD CLOCK Test (NO. 10)

Content: Checks for operation of the internal word clock.

Also checks for the operation of the crystal oscillator and PLLP2 together.

Example of execution screen

```

*** 10. WORD CLOCK ***

INT OK.
EXT OK.

EXIT: [ENTER]

```

Checks that the word clock oscillates normally by counting the internal word clock frequency with the internal counter and CPU.

Message:

- When internal word clock abnormality is detected: NG: INTERNAL WC ERROR

Troubleshooting:

In case of NG, check the signal connected to EXTWC2561 (131pin) and ICK49 (120pin) of PLLP2 (DSP circuit board: IC052).

Or the PLLP2 may be defective.

Notes:

- The external word clock is not tested. ("EXT OK." is always displayed.)
- The word clock test from DIGITAL IN is executed in DIGITAL IN test.

3-6. LCD Test (NO. 13)

Content: Check visually if entire LCD displays black and white repeatedly.

Example of execution screen

```
*** 13. LCD ***

OK: [ENTER] , NG: [0]
```

- ① Make sure that all the screen is shown in black and white.
The reversing cycle shifts the display every second repeating it for five seconds.
- ② Make sure that there is no dot missing throughout the screen.

Troubleshooting:

In case of NG, check the signal passing through the CN270 of DSP circuit board.
Or the LCD module is defective.

3-7. LED Test (NO. 14)

Content: Check visually if LEDs on the panel light on in the designated order.

Example of execution screen

```
*** 14. LED ***

OK: [ENTER] , NG: [0]
```

As for the order of lighting, each lights on one by one from the left side of the panel to the right side.
When all LEDs have lighted on, all light on, which makes the completion of the test.
(All light on to confirm the LED's brightness.)

Troubleshooting:

In case of NG, check the signal passing through the CN250 of DSP circuit board.
Or the LED is individually defective.

3-8. SWITCH Test (NO. 15)

Content: Press every key on the panel in a designated order, and check to see if they respond.

Example of execution screen

```
*** 15. SWITCH ***

Hit the key
[BACK      ]

NG: [ENTER]
```

OPERATION

- ① Press keys according to characters displayed on the personal computer.
- ② When the displayed key and the pressed key match each other, the name of another test key will be shown on the personal computer one by one.
When the displayed key does not match the pressed key, the name of the displayed key will continue to be displayed on the personal computer as a detected disagreement.
If there is no response after pressing a key, it is considered as a failure.
In this case, returns to the testing item selection list screen by pressing the [ENTER] key of the personal computer.
- ③ If it turns to be OK after all keys have been examined, the program returns to the testing item selection list screen.

Notes:

- As for the order of the tests, the names of the keys are shown one by one from the left side of the panel to the right in the order, and therefore press the displayed key.
- Since the accuracy of keys is to be tested here, the LED does not light on even though the key with LED is pressed.

Troubleshooting:

In case of NG, check the signal passing through the CN250 of DSP circuit board.
Or the switch is individually defective.

3-9. DIGITAL IN Test (NO. 17)

Content: Input 96kHz/48kHz digital signal to DIGITAL INPUT connector, and then checks the operation of the DIR. The operation of DIR is checked by checking LOCK, FS and channel status.

Example of execution screen

```

** 17. DIGITAL IN ***

96KHz OK.

Change 48KHz [ENTER]
48KHz OK.

AES/EBU Cable Release [ENTER]
Release OK.
EXIT: [ENTER]
    
```

- ① Input Fs=96 kHz AES/EBU professional formatted digital signal to DIGITAL INPUT connector in advance.
Checks the lock condition, word clock frequency and channel status automatically, and the the result is displayed. At this time, 96 kHz audio data input to DIGITAL INPUT connector is output to OUTPUT 1, 2.
- ② Next, input Fs=46 kHz AES/EBU professional formatted digital signal to DIGITAL INPUT connector, and then press [ENTER] key of the personal computer.
Checks the lock condition, word clock frequency and channel status automatically, and the the result is displayed. At this time, 46 kHz audio data input to DIGITAL INPUT connector is output to OUTPUT 1, 2.
- ③ Next, disconnect the XLR cable from DIGITAL INPUT connector of SP2060, and then press [ENTER] key of the personal computer.
Checks that the status is unlock.

Test no.	WORD CLOCK	Fs
1	AES	96 k
2	AES	48 k

Error messages and troubleshooting:

- When DIGITAL IN signal can not be locked. NG: UNLOCK.
In case of NG, check the signal connected to CS8416 (ANA circuit board: IC601).
- When word clock frequency is out of range. NG: FS ERROR.
In case of NG, check the signal connected to CS8416 (ANA circuit board: IC601) and the signal connected to EXTWC2562 (132pin) of PLLP2 (DSP circuit board: IC052).
- When the channel status error is detected. NG: CHANNEL STATUS ERROR.
In case of NG, check the signal connected to CS8416 (ANA circuit board: IC601).
- When the input parameter is other than 48/96 kHz. NG: INPUT PARAMETER ERROR.
In case of NG, check the signal connected to CS8416 (ANA circuit board: IC601) and the digital audio signal connected to DIGITAL IN connector.

Supplementary explanation:

In this mode, L channel signal of DIGITAL IN signal is output to OUTPUT 1/3/5 connectors and R channel signal of DIGITAL IN signal is output to OUTPUT 2/4/6 connectors.

3-10. ANALOG Test (NO. 20)

Content: Checks the operation of ANALOG MUTE.

Example of execution screen

```
*** 20. ANALOG MUTE ***
MUTE=OFF
OK: [ENTER] , NG: [0]
MUTE=ON
OK: [ENTER] , NG: [0]
```

- ① In this mode, ANALOG OUT is in MUTE OFF condition.
Check that the audio signal is out put.
When the audio signal is output, press [ENTER] key.
When the audio signal is not output, press [0] (zero) key.
- ② When the [ENTER] key pressed, the mode is turned to MUTE ON condition.
Check that the audio signal is not out put.
When the audio signal is not output, press [ENTER] key.
When the audio signal is output, press [0] (zero) key.
- ③ When the [0] (zero) key is pressed, the test is canceled at once.

Test no.	Fs	MUTE
1	96 k	OFF
2	96 k	ON

Troubleshooting:

In case of NG, check the signal connected to MUTEOUT4 (198Pin) of PLLP2 (DSP circuit board: IC052).

■ テストプログラム

注意

テストプログラム実行の前に、DME Designer(バージョン2.0以上)のバックアップ機能で重要なデータをパソコンなどの外部機器に保存してください。

その操作方法の詳細は、DME Designer(バージョン2.0以上)取扱説明書を参照してください。

1. 準備

1-1. 必要なもの

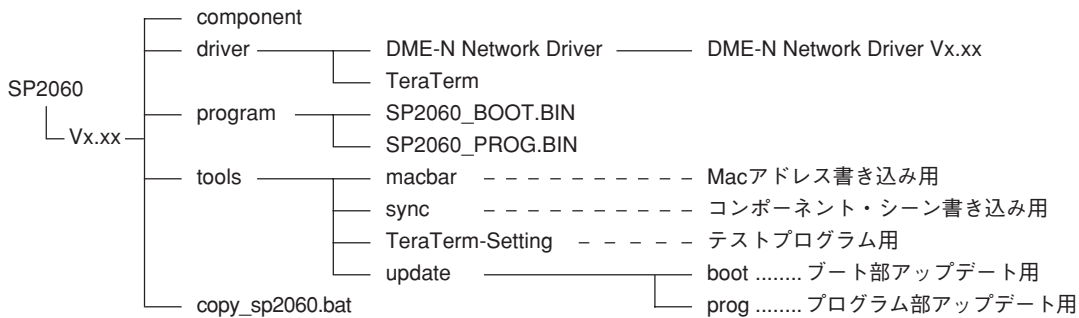
- ・ SP2060本体
- ・ デジタルアウト(AES/EBU)を搭載した機器 (SPX2000など) : 1台
- ・ LANケーブル(クロス) : 1本
- ・ XLR(AES/EBU)ケーブル : 1本
- ・ DOS/Vパソコン (P-200MHz以上、Windows 2000/XP、Ethernetポート) : 1台

1-2. パソコンの設定

- ① YSISSホームページからSP2060データパッケージをダウンロードします。

(URL >> <http://plaza.yamaha.co.jp/ysis/index.nsf>)

SP2060データパッケージは以下のように構成されています。



x.xx : Version No.

- ② “copy_sp2060.bat”をダブルクリックします。

するとSP2060データパッケージのすべてのファイルがC:\¥TOOLS_SP2060に自動的にコピーされます。

既にC:\¥TOOLS_SP2060フォルダがあり、その中にファイルがあっても上書きされます。

- ③ TeraTermのインストール

¥ driver¥ TeraTermにある“setup.exe”をダブルクリックします。

するとTera Term Pro Setup 画面が表示されます。

これ以降は画面の指示にしたがって操作して、インストールを完了してください。

- ④ DME-N Network Driverのインストール

¥ driver¥ DME-N Network Driver¥ DME-N Network Driver Vx.xxにある“setup.exe”をダブルクリックします。

するとYAMAHA DME-N Network Driver-InstallShield Wizard が起動します。

これ以降は画面の指示にしたがって操作して、インストールを完了してください。

- ⑤ Ethernet設定

(コントロールパネル→ネットワーク接続→ローカルエリア接続→プロパティ→TCP/IPプロパティ: Win Xpの場合)

IP アドレス 192.168.0.1
サブネットマスク 255.255.255.0

- ⑥ DME-N Network Driver設定

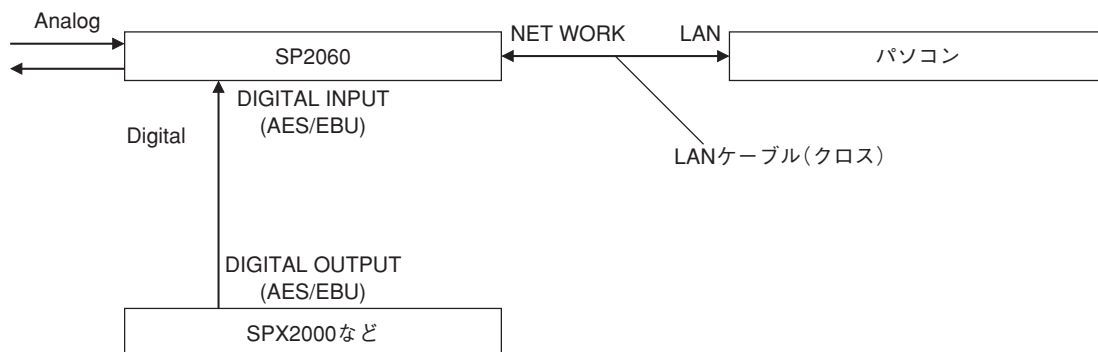
(コントロールパネル→DME-N Network Driver)

Device No. 1
Device Name ZONE1
IP Address 192.168.0.2
Protect No. 00.A0.DE.25.00.00
Device ID 1
TCP-KEEPALIVE on(☉)

1-3. 接続

SP2060のNETWORK端子とパソコンのLAN端子をLANケーブル(クロス)で接続します。

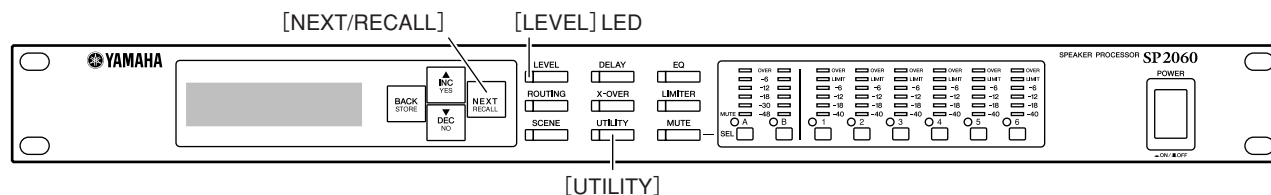
デジタルアウト(AES/EBU)を搭載した機器(SPX2000など)のDIGITAL OUTPUT端子とSP2060のDIGITAL INPUT端子をXLR(AES/EBU)ケーブルで接続します。



SP2060接続図

2. 操作

- 2-1. SP2060の[UTILITY]と[NEXT/RECALL]キーを押しながら電源をONし、[UTILITY]と[NEXT/RECALL]キーを押しつづけます。
するとテストプログラムが起動し、約10秒後、イーサネット通信可能状態になると[LEVEL]LEDが点灯します。



- 2-2. C:¥TOOLS_SP2060¥tools¥TeraTerm-Settingにある“diag_start”をクリックします。
するとTeraTermが起動します。
- 2-3. パソコンの画面に“Press[ENTER]”と表示されたらパソコンの[ENTER]キーを押します。
すると検査カテゴリ選択リスト画面が表示されます。

検査カテゴリ選択リスト画面例

```

** Diag Category Menu **

* 01 Product-SP2060
  02 CPU Sheet
  03 DSP Sheet
  04 ANA Sheet
  05 SUB Sheet
  06 ==> Exit Diag Mode

      [ENTER]:AUTO, [0]:MANUAL

Ethernet Mac Address  00.A0.DE.*.*.*E

Boot Version         V1.00
Program Version      V1.00

```

*: 機器によって異なります。

注意

“Connection timed out”が表示された場合、TeraTermを再起動してください。

それでも“Connection timed out”が表示される場合、SP2060の電源をOFFし、LANケーブル(クロス)の接続を確認した後、「1-2. パソコンの設定」から再度やり直してください。

- 2-4. パソコンの[↓][↑]キーで“*”マークを“01 Product-SP2060”の位置に移動し、[0](ゼロ)キーを押します。(MANUALモードを選択)
すると検査項目選択リスト画面が表示されます。

検査項目選択リスト画面例

```

** Diag Mode **
  Total Result [ ]

* 00 RESERVE-SP2060
  01 SRAM           OK }
  02 BATTERY        OK } 検査結果
  03 PLLP2          NG }
  04 DSP7
  10 WCLK
  13 LCD
  14 LED
  15 SW
  17 DIGITAL IN
  20 ANALOG
  21 ==> Category Menu
    
```

- 2-5. パソコンの[↓][↑]キーで“*”マークを実施したい検査項目の位置に移動し、[ENTER]キーを押します。
すると選択されたテストがスタートします。
- ・ 検査項目NO. 01、02、03、04、10は、自動的に検査が行われます。
 - ・ 検査項目NO. 13、14は、目視検査になります。
 - ・ 検査項目NO. 15、17、20は、半自動的に検査が行われます。
- 2-6. 検査結果は検査項目選択リスト画面にOK、またはNGで表示されます。

検査項目一覧

NO	検査項目	検査項目の概要	判定
01	SRAM	アドレス、データバス線の検査	自動
02	BATTERY	バックアップ用電池の電圧を判定	自動
03	PLLP2	PLLP2のレジスタW/Rを判定	自動
04	DSP7	各DSP7のレジスタをW/Rして判定	自動
10	WORD CLOCK	WCLK OUTのFsをWCLK INでカウント、PLL のLOCK判定	自動
13	LCD	全画面を黒・白表示検査	目視
14	LED	LEDが規定の順序で点灯	目視
15	SWITCH	キーを規定順に押して判定	半自動
17	DIGITAL IN	DIGITAL INを使用したワードクロック・オーディオデータの確認	半自動
20	ANALOG	MUTEコントロール	半自動

3. 各検査項目の説明

3-1. SRAM検査(NO. 01)

内容： SRAM のAddress Bus、Data Busを検査します。

実行画面例

```
*** 01. SRAM ***

SRAM AddressBus      OK! }
SRAM DataBus         OK! } ----- OKの場合に表示

EXIT: [ENTER]
```

```
*** 01. SRAM ***

SRAM AddressBus      NG! }
SRAM DataBus         NG! } ----- NGの場合に表示

EXIT: [ENTER]
```

メッセージ

- ・ アドレスバスアクセス異常検出時： NG: SRAM AddressBus NG.!
- ・ データバスアクセス異常検出時： NG: SRAM DataBus NG.!

トラブルシューティング

SRAM(CPUシート：IC009)の不良、SRAMとCPU(CPUシート：IC002)との接続を確認してください。

注意

SRAMテストを行うと、SRAMの中身は0クリアされます。

このテストを行った後、SRAMの初期化(CURRENT BACKUP、またはFACTORY SETUP)を行ってください。(69ページ参照)

3-2. BATTERY検査(NO. 02)

内容： バックアップ用電池の電圧をA/Dで測定し自動判定します。
また測定した電池電圧を表示します。

実行画面例

```
*** 02. BATTERY ***
VOLTAGE:3.05 [V]
OK. } ----- OKの場合に表示

VOLTAGE:2.50 [V]
NG:BATTERY LOWER ERROR! } ----- NGの場合に表示

EXIT: [ENTER]
```

メッセージ

- ・ 電池過電圧時： NG: BATTERY OVER ERROR!
- ・ 電池低電圧時： NG: BATTERY LOWER ERROR!
- ・ 電池電圧不足時： NG: BATTERY ENPTY ERROR!

トラブルシューティング

バックアップ電池(CPUシート：BT001)の確認、バックアップ電池からCPU(CPUシート：IC002)のPTK[1](114pin)とAN[6](238pin)までの経路を確認してください。

測定電圧の適用範囲

- ・ 合格電圧範囲： 2.80[V]～3.50[V]
- ・ 過電圧： 3.51[V]以上
- ・ 低電圧： 2.79[V]～0.51[V]
- ・ 電圧不足： 0.5[V]以下

3-3. PLLP2検査(NO. 03)

内容： PLLP2のレジスタ(00h、0Fh、10h、16h)をWrite/Readして比較し判定します。

実行画面例

```

*** 03. PLLP2 ***
0x00 W/R OK!
0x0F W/R OK!
0x10 W/R OK!
0x16 W/R 0x16 W:0x0F R:0x00
EXIT: [ENTER]

```

OKの場合に表示

NGの場合に表示

トラブルシューティング

NGの場合は以下の部分をチェック。

PLLP2(DSPシート：IC052)の不良、PLLP2とCPU(CPUシート：IC002)間に接続されている信号線(アドレスバス・データバス・コントロール信号等)を確認してください。

3-4. DSP7検査(NO. 04)

内容： DSP7のRegisterをWrite/ReadしてDataBUS、Address BUSの良否を判定します。

DSP7のSDRAMにRegister経由でWrite/Readして比較し判定します。

実行画面例

(1) OK時表示画面

```

*** 04. DSP7 ***

DSP7 CPUIF DATABUS---
CHIP #0 OK!
DSP7 CPUIF ADRBUS---
CHIP #0 OK!
DSP7 CPUIF CHIPSEL---
CHIP #0 OK!
DSP7 ERAMIF DATABUS---
CHIP #0 OK!
DSP7 ERAMIF ADRBUS---
CHIP #0 OK!
...THE END OF DIAGNOSTICS
-----
ALL TESTS ARE OK(^-^)
-----

EXIT: [ENTER]

```

(2) NG時表示画面

```

*** 04. DSP7 ***

DSP7 CPUIF DATABUS---
CHIP #0 OK!
DSP7 CPUIF ADRBUS---
CHIP #0 OK!
DSP7 CPUIF CHIPSEL---
CHIP #0 OK!
DSP7 ERAMIF DATABUS---
CHIP #0 NG!
DSP7-1
ffffffff
DSP7 ERAMIF ADRBUS---
CHIP #0 NG!
DSP7-1
0000000f
...THE END OF DIAGNOSTICS
=====
DSP DIAG NG (-_-)
=====

EXIT: [ENTER]

```

NGの場合は、NGとなった検査項目名とその詳細を表示します。

トラブルシューティング

NGとなった場合は、DSP7(DSPシート：IC153)及び周辺を中心に確認してください。

3-5. WORD CLOCK検査(No. 10)

内容： 内部ワードクロックの動作を確認します。
水晶発振器の動作確認とPLL2の動作確認も合わせて行います。

実行画面例

```

*** 10. WORD CLOCK ***

INT OK.
EXT OK.

EXIT: [ENTER]

```

内部ワードクロックの周波数を内部のカウンタとCPUで測定し、ワードクロックが発振している事を判定します。

メッセージとトラブルシューティング

- 内部クロック異常時： NG：INTERNAL WC ERROR
NGの場合はPLL2(DSPシート：IC052)のEXTWC2561(131Pin)とICK49(120Pin)に接続される信号を確認してください。
又はPLL2(DSPシート：IC052)の不良。

注意

- 外部ワードクロックのテストは行いません。(常に“EXT OK.”と表示されます)
- DIGITAL INからのワードクロックテストは「DIGITAL IN検査」で行います。

3-6. LCD検査 (NO. 13)

内容： LCDの画面全体を黒と白の繰り返し表示にし、目視判定します。

実行画面例

```
*** 13. LCD ***

OK: [ENTER], NG: [0]
```

- ① 全画面が黒・白表示されることを確認します。
反転表示周期は1秒周期で切り替え表示し、5秒間繰り返します。
- ② 全画面にドットの欠けがないことを確認します。

トラブルシューティング

NGの場合はDSPシート：CN270を経由する信号を確認してください。
又はLCDモジュールの不良。

3-7. LED検査 (NO. 14)

内容： パネルのLEDが規定の順序で点灯することを目視判定します

実行画面例

```
*** 14. LED ***

OK: [ENTER], NG: [0]
```

- ① 点灯順序はパネル左側より右側方向へ順次点灯させます。
- ② 全LEDの点灯が完了した時点で、全点灯させてテスト終了とします。
(全点灯はLEDの明るさを確認する為)

トラブルシューティング

NGの場合はDSPシート：CN250を経由する信号を確認してください。
又はLEDの個別不良。

3-8. SWITCH検査 (NO. 15)

内容： パネルの全てのキーを規定順序通り押して反応を検査します。

実行画面例

```
*** 15. SWITCH ***

Hit the key
[BACK      ]

NG: [ENTER]
```

操作方法

- ① パソコンに表示された文字列のキーを押します。
- ② 押されたキーが表示キーと一致した場合は、次の検査対象キー名称をパソコンに表示します。
押されたキーが表示キーと一致しない場合は、不一致検出として表示されたキー名称はそのまま表示を継続します。
キーを押しても反応しない場合はNGとみなします。
この場合、PCの[ENTER]キーを押し、検査項目選択リスト画面へ戻ります。
- ③ 全キーの検査を終了した時点でOKならば検査項目選択リスト画面へ戻ります。

トラブルシューティング

NGの場合はDSPシート：CN250を経由する信号を確認してください。

又はスイッチの個別不良。

注意

- ・ 検査順序はパネル左端より順番に右側方向のキー名称を表示し、表示されているキーを押します。
- ・ ここではキーの精度を検査目的としているので、LED付きキーを押しても該当LEDは点灯しません。

3-9. DIGITAL IN検査 (NO. 17)

内容： DIGITAL INに96 KHz/48 KHzの信号を入力し、DIRの動作を確認します。
LOCK、FS、チャンネルステータスを確認する事により動作を確認します。

実行画面例

```

** 17. DIGITAL IN ***

96KHz OK.

Change 48KHz [ENTER]
48KHz OK.

AES/EBU Cable Release [ENTER]
Release OK.
EXIT: [ENTER]

```

- ① あらかじめDIGITAL INPUT端子にFS=96 kHzのAES/EBU信号(プロ用フォーマット)を入力します。
PLL2にてロック状態、ワードクロックの周波数、チャンネルステータスを自動検査し、結果を表示します。
この時、DIGITAL INPUT端子から入力された96 kHzオーディオデータがOUTPUT 1、2から出力されます。
- ② 次にDIGITAL IN端子にFS=48 kHzのAES/EBU信号(プロ用フォーマット)を入力し、PCの[ENTER]キーを押します。
PLL2にてロック状態、ワードクロックの周波数、チャンネルステータスを自動検査し、結果を表示します。
この時、DIGITAL INPUT端子から入力された48 kHzオーディオデータがOUTPUT 1、2から出力されます。
- ③ 次にDIGITAL IN端子にAES/EBU信号が入らない状態にし、PCの[ENTER]キーを押します。
アンロックになった事を判定します。

テストNo.	WORD CLOCK	Fs
1	AES	96 k
2	AES	48 k

エラーメッセージとトラブルシューティング

- ・ DIGITAL IN信号をロックできない時： NG：UNLOCK.
NGの場合はCS8416(ANAシート：IC601)に接続される信号を確認してください。
- ・ ワードクロック周波数が範囲外の時： NG：FS ERROR.
NGの場合はCS8416(ANAシート：IC601)に接続される信号とPLL2(DSPシート：IC052)のEXTWC2562(132Pin)に接続される信号を確認。
- ・ チャンネルステータス異常の時： NG：CHANNEL STATUS ERROR.
NGの場合はCS8416(ANAシート：IC601)に接続される信号を確認してください。
- ・ 入力パラメータが48/96KHz以外るとき： NG：INPUT PARAMETER ERROR.
NGの場合はCS8416(ANAシート：IC601)に接続される信号とDIGITAL IN端子に接続されるデジタルオーディオ信号を確認してください。

補足

このモードではDIGITAL INのL信号をOUTPUT 1/3/5に、R信号をOUTPUT 2/4/6に出力します。

3-10. ANALOG検査(NO. 20)

内容： ANALOG MUTE の動作を確認します。

実行画面例

```
*** 20. ANALOG MUTE ***
MUTE=OFF
OK: [ENTER], NG: [0]
MUTE=ON
OK: [ENTER], NG: [0]
```

- ① このテストモードに入るとANALOG OUTがMUTE OFF状態になります。
音が出ることを確認します。
音が出ている場合、[ENTER]キーを押します。
音が出ていない場合、[0]キーを押します。
- ② [ENTER]が押されるとMUTE ON状態になります。
音が出なくなることを確認します。
音が出ていない場合、[ENTER]キーを押します。
音が出ている場合、[0]キーを押します。
- ③ [0]キーを押した場合、即座にテストを終了します。

テストNo.	Fs	MUTE
1	96 k	OFF
2	96 k	ON

トラブルシューティング

NGの場合はPLL2(DSPシート：IC052)のMUTEOUT4(198Pin)に接続される信号を確認してください。

■ INSPECTIONS

1. Measurement Conditions

1-1. Environment

- Normal temperature: 5 to 40 degree
- Normal humidity: 30 to 90 %

1-2. Power Source

The voltage is within $\pm 10\%$.

- U : 120 V
- H : 230 V
- B : 230 V
- O : 230 V

2. ANALOG Test

The ANALOG test is executed by using the test program.

2-1. Preparation

Refer to "TEST PROGRAM 1. Preparation" on page 36~37.

2-2. Measuring conditions

Use following conditions unless otherwise specified.

- 0dBu = 0.775 Vrms
- 0 dBFS = 0 dB, full scale
- Analog output load: 600 Ω
- Cross talk and distortion ratio should be measured with a 80 kHz, -18 dB/octave low pass filter.
- Noise should be measured with a 12.7 kHz, -6 dB/octave low pass filter.
(Use average values instead of effective values for measurement.)
- Oscillator output impedance: 150 Ω .

2-3. ANALOG Input/Output Test (When WORD CLOCK is INT 96 kHz)

Input analog signal to INPUT A, B terminals and then measure the output signal obtained at OUTPUT 1~6 terminals.

For the details of the measuring procedures, refer to "TEST PROGRAM 3-10. ANALOG Test".

Conditions for each test No. are as shown below.

Test no.	Fs	MUTE
1	96 kHz	OFF
2	96 kHz	ON

Measure the following items by using test No. 1.

① Gain

Input frequency	Input level	Specified output level	Variation width
1 kHz	+4 dBu	+4 dBu	+4 \pm 1 dBu

② Frequency Characteristics

Measure the each frequency response compared with the 1 kHz (0 dB).

Input frequency	Input level	Output level (reference)	Variation width
20 Hz	+4 dBu	+4 dBu	-1.0~+0.5 dB
40 kHz	+4 dBu	+4 dBu	-1.0~+0.5 dB

③ **Noise level**

Terminate the INPUT A, B terminals with the resistances of 150 Ω and then measure the output level obtained at OUTPUT 1~6 terminals.

Variation width
-79 dBu or less

④ **Level difference among OUTPUT 1~6 terminals**

The range of difference in the gain measured in ① is specified as follows.

Variation width
Within 1 dB

⑤ **Crosstalk between A and B channel**

⑤-1 Crosstalk from channel A to Channel B

Terminate the INPUT B terminal with the resistance of 150 Ω.

Input signal specified below to INPUT A terminal and then measure the output signal obtained at OUTPUT 1, 3, 5 (odd numbers channel) terminals and OUTPUT 2, 4, 6 (even numbers channel) terminals.

Input frequency	Input level	Output level (odd numbers channel)	Variation width (even numbers channel)
1 kHz	+22 dBu	+22±0.1 dBu	-58 dBu or less

⑤-2 Crosstalk from channel B to Channel A

Terminate the INPUT A terminal with the resistance of 150 Ω.

Input signal specified below to INPUT B terminal and then measure the output signal obtained at OUTPUT 2, 4, 6 (even numbers channel) terminals and OUTPUT 1, 3, 5 (odd numbers channel) terminals.

Input frequency	Input level	Output level (even numbers channel)	Variation width (odd numbers channel)
1 kHz	+22 dBu	+22±0.1 dBu	-58 dBu or less

⑥ **Maximum output**

Input frequency	Input level	Variation width	Variation width (Distortion factor)
1 kHz	+24 dBu	+23 dBu or more	0.01 % or less

⑦ **Distortion Factor**

Input frequency	Input level	Output level	Variation width
1 kHz	+4 dBu	+4±0.1 dBu	0.05 % or less
20 Hz	+4 dBu	+4±0.1 dBu	0.05 % or less
40 kHz	+4 dBu	+4±0.1 dBu	0.05 % or less
1 kHz	+22 dBu	+22±0.1 dBu	0.007 % or less

Note : Test No. 2 (MUTE ON) is not used in ANALOG test.

2-4. Digital Input Test

Input AES/EBU professional formatted signal to DIGITAL INPUT terminal and then measure the output signal obtained at OUTPUT 1, 2 terminals.

For the details of the measuring procedures, refer to “TEST PROGRAM 3-9. DIGITAL IN Test”.

2-4-1 Test when WORD CLOCK is AES 96 kHz

Measure the following items by using test No. 1.

Conditions for each test No. are as shown below.

Test no.	WORD CLOCK	Fs
1	AES	96 kHz
2	AES	48 kHz

① Gain

Input frequency	Input level	Specified output level	Variation width
1 kHz	-20 dBFS	+4 dBu	+4±1 dBu

② Frequency Characteristics

Measure the each frequency response compared with the 1 kHz (0 dB).

Input frequency	Input level	Output level (reference)	Variation width
20 Hz	-20 dBFS	+4 dBu	-1.0~+0.5 dB
40 kHz	-20 dBFS	+4 dBu	-1.0~+0.5 dB

③ Distortion Factor

Input frequency	Input level	Output level	Variation width
1 kHz	-20 dBFS	+4±0.1 dBu	0.05 % or less
20 Hz	-20 dBFS	+4±0.1 dBu	0.05 % or less
40 kHz	-20 dBFS	+4±0.1 dBu	0.05 % or less
1 kHz	-1 dBFS	+23±0.1 dBu	0.007 % or less

2-4-2 Test when WORD CLOCK is AES 48 kHz

Measure the following items by using test No. 2 ($f_s=48$ kHz).

① Distortion Factor

Input frequency	Input level	Output level	Variation width
1 kHz	-20 dBFS	+4±0.1 dBu	0.05 % or less
20 Hz	-20 dBFS	+4±0.1 dBu	0.05 % or less
40 kHz	-20 dBFS	+4±0.1 dBu	0.05 % or less
1 kHz	-1 dBFS	+23±0.1 dBu	0.015 % or less

■ 検査

1. 測定条件

1-1. 環境

- ・ 常温：5～40℃
- ・ 常湿：30～90%

1-2. 電源電圧

電源電圧(AC100V)の±10%で測定すること。

2. ANALOG特性検査

ANALOG特性検査は、テストプログラムを使用して測定します。

2-1. 準備

テストプログラムの「1. 準備」(45～46ページ)を参照してください。

2-2. 測定条件

特に指定の無い場合、以下の条件とします。

- ・ 0 dBu=0.775 Vrmsとします。
- ・ 0 dBFS=0 dBデジタルフルスケールとします。
- ・ アナログ出力の負荷抵抗は各チャンネルとも600 Ωとします。
- ・ クロストークおよび全高調波歪率は、80 kHz、-18 dB/OCTのローパスフィルターを使用して測定します。
- ・ ノイズレベルは12.7 kHz、-6 dB/OCTのローパスフィルターを使用して測定します。
また実効値ではなく平均値で測定します。
- ・ 発振器の出力インピーダンスは150 Ωとします。

2-3. アナログ入出力部(ANALOG)検査(WORD CLOCK「Int 96 kHz」時の検査)

INPUT A、B端子にアナログ信号を入力し、OUTPUT 1～6端子の出力信号を測定します。

測定手順はテストプログラムの「3-10. ANALOG検査」を参照して測定を行ってください。

使用するテストNo.の設定状態(Fs等)は下記の通りです。

テストNo.	Fs	MUTE
1	96 kHz	OFF
2	96 kHz	ON

テストNo. 1を使用し、下記の項目を測定します。

① 利得

入力周波数	入力レベル	規定出力レベル	許容範囲
1 kHz	+4 dBu	+4 dBu	+4±1 dBu

② 周波数特性

1 kHzを基準として、各入力周波数における相対値を測定します。

入力周波数	入力レベル	出力レベル(参考値)	許容範囲
20 Hz	+4 dBu	+4 dBu	-1.0～+0.5 dB
40 kHz	+4 dBu	+4 dBu	-1.0～+0.5 dB

③ ノイズレベル

INPUT A、B端子を150 Ωで終端します。

OUTPUT 1～6端子のノイズレベルを測定します。

許容範囲
-79 dBu 以下

④ CH間レベル差

①で測定したOUTPUT 1～6間の利得の差の範囲を以下のように規定します。

許容範囲
1 dB 以内

⑤ A-Bチャンネル間クロストーク

⑤-1 チャンネルAからチャンネルBへのクロストーク

INPUT B端子を150 Ωで終端します。

INPUT A端子に下記の信号を入力し、OUTPUT 1、3、5(奇数チャンネル)端子とOUTPUT 2、4、6(偶数チャンネル)端子の出力レベルを測定します。

入力周波数	入力レベル	出力レベル (奇数チャンネル)	許容範囲 (偶数チャンネル)
1 kHz	+22 dBu	+22±0.1 dBu	-58 dBu 以下

⑤-2 チャンネルBからチャンネルAへのクロストーク

INPUT A端子を150 Ωで終端します。

INPUT B端子に下記の信号を入力し、OUTPUT 2、4、6(偶数チャンネル)端子とOUTPUT 1、3、5(奇数チャンネル)端子の出力レベルを測定します。

入力周波数	入力レベル	出力レベル (偶数チャンネル)	許容範囲 (奇数チャンネル)
1 kHz	+22 dBu	+22±0.1 dBu	-58 dBu 以下

⑥ 最大出力

入力周波数	入力レベル	許容範囲	許容範囲(歪率)
1 kHz	+24 dBu	+23 dBu 以上	0.01 % 以下

⑦ 全高調波歪率

入力周波数	入力レベル	出力レベル	許容範囲
1 kHz	+4 dBu	+4±0.1 dBu	0.05 % 以下
20 Hz	+4 dBu	+4±0.1 dBu	0.05 % 以下
40 kHz	+4 dBu	+4±0.1 dBu	0.05 % 以下
1 kHz	+22 dBu	+22±0.1 dBu	0.007 % 以下

注 : アナログ入出力部(ANALOG)検査ではテストNo. 2(MUTE ON)は使用しません。

2-4. デジタル入力部検査

DIGITAL INPUT端子にAES/EBUデジタル音声信号(プロ用フォーマット)を入力し、OUTPUT TERMINAL 1～2端子に出力される信号を測定します。

測定手順はテストプログラムの「3-9. DIGITAL IN検査」を参照して測定してください。

2-4-1 WORD CLOCK「AES 96 kHz」時の特性検査

テストNo. 1を使用し、下記の項目を測定します。

使用するテストNo.の設定状態(Fs等)は下記の通りです。

テストNo.	WORD CLOCK	Fs
1	AES	96 kHz
2	AES	48 kHz

① 利得

入力周波数	入力レベル	規定出力レベル	許容範囲
1 kHz	-20 dBFS	+4 dBu	+4±1 dBu

② 周波数特性

測定方法…1 kHzを基準として、各入力周波数における相対値を測定します。

入力周波数	入力レベル	出力レベル(参考値)	
20 Hz	-20 dBFS	+4 dBu	-1.0～+0.5 dB
40 kHz	-20 dBFS	+4 dBu	-1.0～+0.5 dB

③ 全高調波歪率

入力周波数	入力レベル	出力レベル	許容範囲
1 kHz	-20 dBFS	+4±0.1 dBu	0.05 % 以下
20 Hz	-20 dBFS	+4±0.1 dBu	0.05 % 以下
40 kHz	-20 dBFS	+4±0.1 dBu	0.05 % 以下
1 kHz	-1 dBFS	+23±0.1 dBu	0.007 % 以下

2-4-2 WORD CLOCK「AES 48 kHz」時の特性検査

テストNo. 2 (fs=48 kHz) を使用し、下記の項目を測定します。

① 全高調波歪率

入力周波数	入力レベル	出力レベル	許容範囲
1 kHz	-20 dBFS	+4±0.1 dBu	0.05 % 以下
20 Hz	-20 dBFS	+4±0.1 dBu	0.05 % 以下
40 kHz	-20 dBFS	+4±0.1 dBu	0.05 % 以下
1 kHz	-1 dBFS	+23±0.1 dBu	0.015 % 以下

■ UPDATING PROGRAM, BOOT AND COMPONENT DATA

For updating the program, it is recommended to use the DME Designer (version 2.0 or later).

Here, the updating procedures using SP2060 data package are explained.

1. Preparation

1-1. Required items

- SP2060
- LAN cross cable : 1 pc
- Personal Computer: DOS/V machine (P-200MHz or faster, Windows2000/XP, Ethernet port) : 1 pc

1-2. Personal Computer Setting

Refer to “Test program 1-2. Personal Computer Setting” on page 36 for information on setting the personal computer.

1-3. Connection

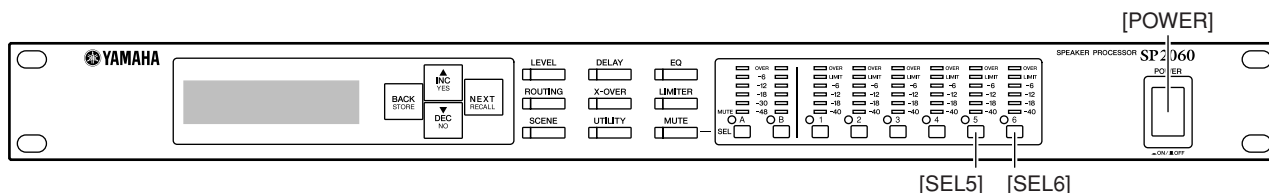
Connect the NETWORK connector of the SP2060 to the LAN connector of the personal computer with the LAN cross cable.

2. Updating the program and boot

2-1. Activating the SP2060

While pressing the [SEL5] and [SEL6] keys, turn on the power to the SP2060.

Keep pressing the [SEL5] and [SEL6] keys until “Copyright 2006 YAMAHA” disappears from the display of SP2060.



2-2. Activating the update software

The update software for program and the update software for boot are different.

To update the program, click on “update.exe” of C: ¥ TOOLS_SP2060 ¥ tools ¥ update ¥ prog.

To update the boot, click on “update.exe” of C: ¥ TOOLS_SP2060 ¥ tools ¥ update ¥ boot.

Note

It is impossible to update the boot with the DME Designer (version 2.0 or later).

2-3. Setting the parameters

When update software is activated, the setting and executing screen is displayed. (Fig. 1 [Setting and executing screen])

Set the parameters according to the following parameters.

- Output Port : ZONE1
- Input Port : ZONE1
- target ID : 2
- Firmware : Select either PROGRAM or BOOT for which you wish to update.
- Download File : Select either C: ¥ TOOLS_SP2060 ¥ prog ¥ SP2060_PROG.BIN or C: ¥ TOOLS_SP2060 ¥ prog ¥ SP2060_BOOT.BIN for which you wish to update.

Update	Download File
PROGRAM	C: ¥ TOOLS_SP2060 ¥ prog ¥ SP2060_PROG.BIN
BOOT	C: ¥ TOOLS_SP2060 ¥ prog ¥ SP2060_BOOT.BIN

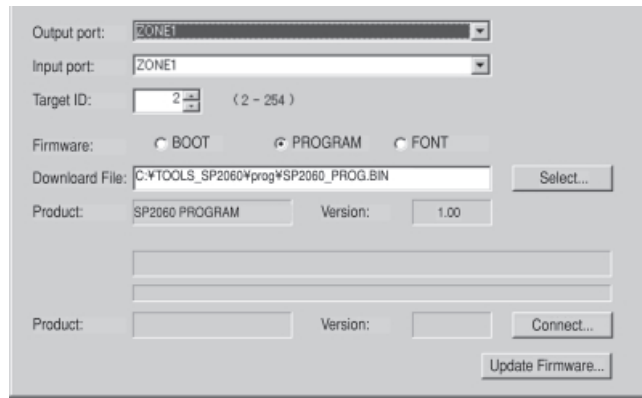


Fig 1.
Setting and executing screen

2-4. Updating

Click on “Connect...”.

When “Connection succeeded.” is displayed, click on “Update Firmware...” (Fig. 2 [Checking connection screen])

When “Firmware update completed.” is displayed and then SP2060 is restarted, updating is end. (Fig. 3 [Update completed screen])

Note

Never turn off the power to the SP 2060 until the updating is completed.

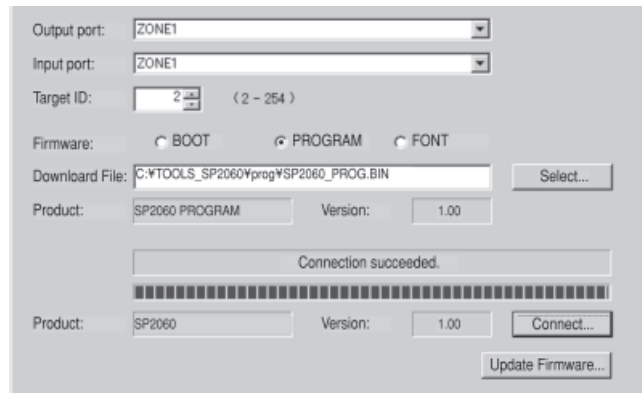


Fig 2.
Checking connection screen

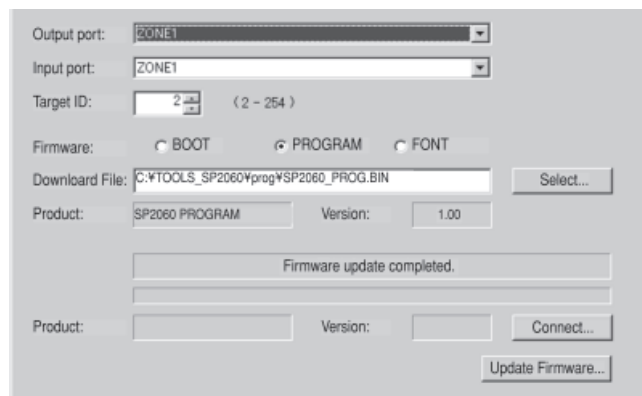


Fig 3.
Update completed screen

2-5. Solution when error message is displayed

- When the error message as shown below is displayed, stop updating software, turn off the power to the SP2060, and then follow from step “2-1. Activating the SP2060”.
- Same message is still displayed, restart the personal computer, turn off the power to the SP2060, and then follow from step “2-1. Activating the SP2060”.

Error messages list

[Error]	Device unreachable.
[Error]	Port unreachable.
[Error]	Product name unavailable.
[Error]	SysEx memory full.
[Error]	File cannot open.
[Error]	Illegal file format.
[Error]	Memory full.
[Error]	File cannot be read.
[Error]	Port control failed.
[Error]	Command packet size unavailable.
[Error]	Command packet memory full.
[Error]	Command packet creation failed.

3. Confirming the Program and Boot version

There are two ways of confirming the Program and Boot versions.

3-1. Confirming with the Test Program

The Program and Boot versions are displayed in the testing category selection list screen which is displayed when the test program is activated.

Refer to “TEST PROGRAM 2. Operation” on page 37 for more information.

3-2. Confirming with the Utility function

Press the [UTILITY] key to select the Utility display.

Press the [NEXT] or [BACK] key repeatedly until the Version page appears.

The page indicates the Program version number.

VERSION [V1.00]

Note

You can not confirm the Boot version number with the Utility function.

Confirm the Boot version number with the Test Program. (see 3-1)

4. Supplementary information

4-1. About DME Designer

4-1-1 DME Designer software enables you to control the SP2060 from a connected computer.

The DME Designer version 2.0 or later features this function.

You can also download DME Designer from the following Yamaha website.

<http://www.yamahaproaudio.com/>

4-1-2 DME Designer software also enables you to update the Program.

Refer to the DME Designer Owner's Manual for details.

Note

You can not update the Boot via DME Designer software.

To update the Boot, follow the steps in “2. Updating the program and boot”.

4-2. Downloading the Program and Boot

4-2-1 The SP2060 data package includes the program, boot, program update software, boot update software, DME-N Network Driver and TeraTerm.

Downloading the SP2060 data package from the YSISS homepage is recommended to download the program and latest boot.

(URL >> <http://plaza.yamaha.co.jp/ysiss/exindex.nsf>)

4-2-2 You can download the latest program from the following Yamaha website.

<http://www.yamahaproaudio.com/>

Note

In this way, you can not download the latest boot.

When you need the latest boot, download the SP2060 data package from the YSISS homepage.

5. Updating the Component data

After updating the program or boot, be sure to update the component data, or the error message may be displayed when initializing such as FACTORY PRESET.

5-1. Operation

① While pressing the [SEL5] and [SEL6] keys, turn on the power to the SP2060.

Keep pressing the [SEL5] and [SEL6] keys until “Copyright 2006 YAMAHA” disappears from the display of SP2060.

② Double click on “sync.exe” of C: ¥ TOOLS_SP2060 ¥ tools ¥ sync ¥ component ¥ .

Then the update software is activated and the setting and executing screen is displayed.

③ Set the parameters on the screen according to the following parameters.

Output Port : ZONE1

Input Port : ZONE1

target ID : 2

Firmware : Select C: ¥ TOOL_SP2060 ¥ component ¥ SP2060.dat

④ Click on “Synchronize...” button to start update.

The updating will be completed in about 90 seconds.

Note

Never turn off the power to the SP 2060 until the updating is completed.

5-2. Confirming the version of written component data

① Once be sure to turn off the power to the SP 2060.

② Follow the steps ① to ③ of “5-1. Operation”.

③ Click on “Check...” button.

When “Vx.xx” is displayed at “component group version”, the updating component data is successful.

Confirm the “Vx.xx” is the same as the program version.

When “Error!!” is displayed at “component group version”, the updating component data is unsuccessful.

In this case, follow the steps ① to ④ of “5-1. Operation” again.

And also, follow the steps ① to ③ of “5-2. Confirming the version of written component data” again.

■ プログラム、ブート、コンポーネントデータのアップデート

プログラムのアップデートには、DME Designer(バージョン2.0以上)の使用を推奨します。
ここではSP2060データパッケージを使用した場合の例で説明します。

1. 準備

1-1. 必要なもの

- ・ SP2060本体
- ・ LAN ケーブル(クロス) : 1本
- ・ DOS/Vパソコン(P-200MHz以上、Windows2000/XP、Ethernetポート) : 1台

1-2. パソコンの設定

「テストプログラム1-2 パソコンの設定」(45ページ)にしたがってパソコンを設定します。

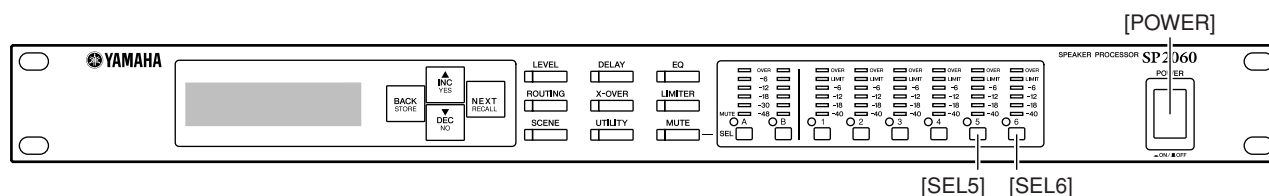
1-3. 接続

SP2060のNETWORK端子とパソコンのLAN端子をLANケーブル(クロス)で接続します。

2. プログラムとブートのアップデート

2-1. 本体の起動

[SEL5]と[SEL6]キーを押しながらSP2060の電源をONし、“Copyright 2006 YAMAHA”がSP2060の表示画面から消えるまで[SEL5]と[SEL6]キーを押しつづけます。



2-2. アップデートソフトの起動

プログラム部とブート部で起動方法が異なります。

- ・ プログラム部をアップデートする場合
C:¥TOOLS_SP2060¥tools¥update¥prog¥にある「update.exe」をクリックします。
- ・ ブート部をアップデートする場合
C:¥TOOLS_SP2060¥tools¥update¥boot¥にある「update.exe」をクリックします。

注意

DME Designer(バージョン2.0以上)でブート部をアップデートすることはできません。

2-3. 設定の確認と変更

アップデートソフトを起動すると設定・実行画面が表示されます。(図1[設定・実行画面]参照)

以下の項目について確認します。設定が異なっている場合は修正します。

- 出力ポート : ZONE1
- 入力ポート : ZONE1
- ターゲットID : 2
- ファーム : ブート部またはプログラム部のどちらかを選択します
- ファイル名 : 下記の中のどちらかを選択します。

アップデート	対象ファイル名
ブート部	C:¥TOOLS_SP2060¥prog¥SP2060_BOOT.BIN
プログラム部	C:¥TOOLS_SP2060¥prog¥SP2060_PROG.BIN

図1
設定・実行画面

2-4. アップデート

「接続」をクリックします。

「接続チェック終了。」と表示されたことを確認して、「更新」をクリックします。(図2[接続チェック終了画面]参照)

「更新成功しました。」と表示され、SP2060 が再起動すれば、アップデート終了となります。(図3[アップデート完了画面]参照)

注意

アップデートが完了するまでSP2060の電源は切らないでください。

図2
接続チェック終了画面

図3
アップデート完了画面

2-5. エラーメッセージが出たときの処理

- ・ 以下のようなエラーメッセージが表示された場合は、アップデートソフトを終了し、SP2060の電源をOFFし、2-1からやり直してください。
- ・ それでも同じメッセージが続く場合は、PCを再起動し、SP2060の電源をOFFし、2-1からやり直してください。

エラーメッセージ一覧

- [エラー] デバイスに接続できませんでした。
- [エラー] 通信ポートの確保に失敗しました。
- [エラー] プロダクト名を取得できませんでした。
- [エラー] SysEx用のメモリが足りません。
- [エラー] ファイルが開けません。
- [エラー] 異なるファイルです。
- [エラー] メモリが足りません。
- [エラー] ファイルが読めません。
- [エラー] 通信制御権の取得に失敗しました。
- [エラー] コマンドパケットのサイズの取得に失敗しました。
- [エラー] コマンドパケットの作成用のメモリが足りません。
- [エラー] コマンドパケットの作成に失敗しました。

3. プログラムとブートのバージョン確認

プログラムとブートのバージョンを確認するには2つの方法があります。

3-1. テストプログラムによる方法

テストプログラムを起動したときに表示される検査カテゴリ選択リスト画面にプログラムとブートのバージョンが表示されます。

詳しくは46ページの「テストプログラム 2. 操作」を参照してください。

3-2. UTILITY機能による方法

[UTILITY]キーを押してUTILITY画面を表示させます。

[NEXT]または[BACK]キーを押してVERSION欄を選択します。

現在のプログラム部のバージョンが表示されます。

VERSION	[V1.00]
---------	---------

注意

UTILITY機能による方法では、ブートのバージョンは確認できません。

ブートのバージョンは「3-1. テストプログラムによる方法」で確認してください。

4. 補足

4-1. DME Designerについて

4-1-1 SP2060をコンピューターからコントロールするソフトウェアです。

DME Designerバージョン2.0から対応しています。

DME Designerはウェブサイトからダウンロードしてご利用いただけます。

<http://proaudio.yamaha.co.jp/>

4-1-2 DME Designerでプログラムのアップデートもできます。

詳しくはDME Designerの説明を参照してください。

注意

DME Designerでブートのアップデートはできません。

ブートは「2. アップデートの操作」にしたがってアップデートしてください。

4-2. プログラムとブートのダウンロード

4-2-1 SP2060データパッケージには、プログラム、ブート、プログラム部アップデートソフト、ブート部アップデートソフト、DME-N Network DriverおよびTeraTermが含まれています。

YSSISSホームページからSP2060データパッケージをダウンロードして使用してください。

(URL >> <http://plaza.yamaha.co.jp/ysiss/index.nsf>)

4-2-2 最新のプログラムは下記のヤマハウェブサイトからダウンロードすることができます。

<http://proaudio.yamaha.co.jp/>

注意

ただし最新のブート部のダウンロードはできません。

最新のブート部が必要な場合、YSSISSホームページからSP2060データパッケージをダウンロードしてください。

5. コンポーネントデータのアップデート

プログラムまたはブートをアップデートした場合、必ずコンポーネントデータのアップデートを実施してください。コンポーネントデータのアップデートを実施しなかった場合、初期化 (FACTORY SETUPなど)の時にエラーメッセージが表示される場合があります。

5-1. 操作

① [SEL5]と[SEL6]キーを押しながらSP2060の電源をONし、“Copyright 2006 YAMAHA”がSP2060の表示画面から消えるまで[SEL5]と[SEL6]キーを押しつづけます。

② C:\¥TOOLS_SP2060¥tools¥sync¥component¥にある「sync.exe」をダブルクリックします。
するとアップデートソフトが起動し、設定・実行画面が表示されます。

③ 画面上のパラメータを下記のように設定します。

出力ポート	: ZONE1
入力ポート	: ZONE1
ターゲットID	: 2
実行ファイル	: C:\¥TOOL_SP2060¥component¥SP2060.dat

④ 「実行」ボタンをクリックするとアップデートがスタートします。
アップデートは約90秒で完了します。

注意

アップデートが完了するまでSP2060の電源は切らないでください。

5-2. 書き込み確認

① 必ず、いったんSP2060の電源を切ります。

② 「5-1. 操作」の①～③の操作を行ないます。

③ 「確認」ボタンをクリックします。

「コンポーネントグループバージョン」に「Vx.xx」と表示された場合、コンポーネントデータが正常に書き込まれています。
「Vx.xx」がプログラム部のバージョンと同じものである事を確認してください。

「コンポーネントグループバージョン」に「Error!! Unknown Version」と表示された場合、コンポーネントデータが正常に書き込まれていないので、「5-1. 操作」の①～④、および「5-2. 書き込み確認」の①～③の操作を再度行なってください。

INITIALIZING

Follow the steps below to initialize the internal memory:

You can select one of the following initialization types:

LCD display	Purpose	Library	Scene Configuration Component Utility Current Scene Number	Current scene
CURRENT BACKUP	To initialize the backup current scene.	Do nothing	Do nothing	Erase
WITHOUT LIB.	Return the user settings except library to the factory set up.	Do nothing	Initialize	Erase
FACTORY SETUP	Return the setting to the factory set up.	Initialize	Initialize	Erase

Caution

The data of the scene number and current scene are backed up by the battery. [SRAM (CPU circuit board: IC009)]

When the internal memory is initialized, the data stored in the memory will be lost.

Before initializing, save the data to an external device (such as a computer) with the backup function of the DME Designer.

For more information on the operation, refer to the DME Designer owner's manual.

Use caution when you execute this function.

1. Turn off the power to the SP2060.
2. Turn on the power to the SP2060 while pressing the [BACK/STORE] key.
Keep pressing the [BACK/STORE] key until the initialization display appears.



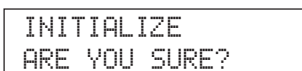
3. Press the [INC]/[DEC] keys to select a type of initialization.

Note

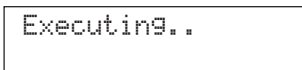
To cancel the initialization operation, select "Exit" and confirm the cancellation.

Alternatively, simply turn off the power to the SP2060.

4. Press the [NEXT] key to move the cursor to the \blacktriangleright icon, then press the [INC/YES] key.
The following message appears.

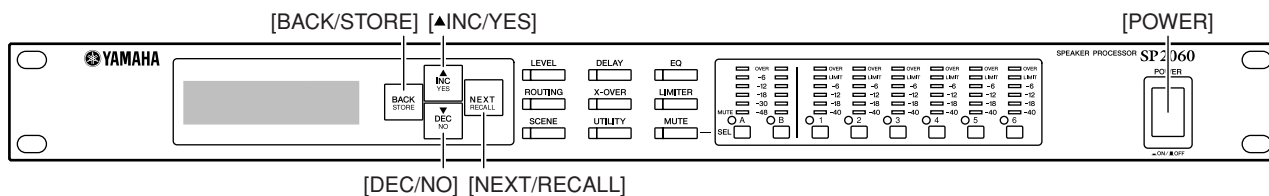
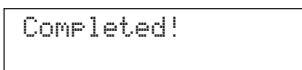


5. Press the [INC/YES] key to start initialization operation.
During initialization, the following message appears.



When you press the [DEC/NO], initialization is canceled.

6. When initialization is completed, the SP2060 displays the following message, then automatically restarts.



■ 初期化

次の操作で内蔵メモリーを初期化できます。
初期化の種類は以下の中から選択できます。

LCD表示	目的	ライブラリ	シーン コンフィグレーション コンポーネント ユーティリティ カレントシーン番号	カレントシーン
CURRENT BACKUP	バックアップされたカレントシーンを初期化する	なにもしない	なにもしない	消去
WITHOUT LIB.	ライブラリは残し、それ以外のユーザー設定を工場出荷時の状態に戻す	なにもしない	初期化	消去
FACTORY SETUP	工場出荷時の状態に戻す	初期化	初期化	消去

注意

バッテリーによりバックアップされているデータは、シーン番号とカレントシーンです。[SRAM(CPUシート：IC009)]
内蔵メモリーを初期化すると、それまでメモリー内に保存されていた内容が失われます。
初期化の前に、DME Designerのバックアップ機能を使って、データをパソコンなどの外部機器に保存してください。
その操作方法の詳細は、DME Designer取扱説明書を参照してください。

以下の操作は慎重に行なってください。

1. SP2060の電源をオフにします。
2. [BACK/STORE]キーを押しながら電源をオンにし、初期化画面が表示されるまで[BACK/STORE]キーを押し続けます。

```
INITIALIZE
CURRENT BACKUP  #
```

3. [INC]/[DEC]キーで初期化方法を選択します。

注意

初期化をキャンセルする場合には、“Exit”を選択して確定するか、そのまま電源を入れ直してください。

4. [NEXT]キーでカーソルを#に移動し、[INC/YES]を押します。
すると下記のメッセージが表示されます。

```
INITIALIZE
ARE YOU SURE?
```

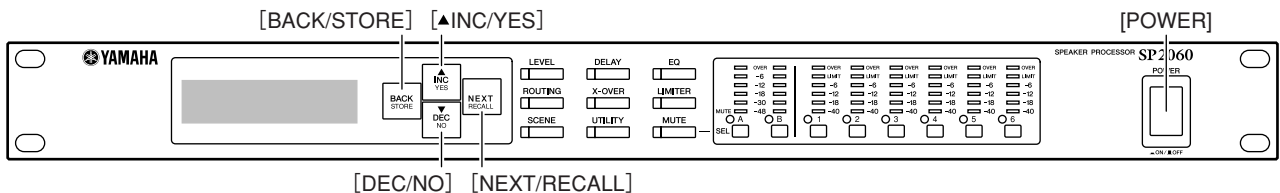
5. [INC/YES]キーを押すと、初期化が開始されます。
初期化中は、下記のメッセージが表示されます。

```
Executing..
```

[DEC/NO]を押した場合、初期化は中止されます。

6. 初期化が完了すると下記のメッセージを表示した後、自動的に再起動します。

```
Completed!
```



SYSTEM FLOW CHART

Purpose

SP2060 is provided with the test program for diagnosing the hardware.

However, when the test program can not be activated, the troubleshooting is hard.

The system flow chart shows the software's action flow after releasing reset and may help you to troubleshoot.

CPU data processing sequence	LCD display	CPU PTJ [7] (186 pin output)		
		State	Description	Cause of stop
Power ON (reset)		H	H by CPU internal pull-up resistor.	
Release CPU Reset (Action starts in Flash ROM)		L	Sets L when initializing CPU port.	<ul style="list-style-type: none"> Can not release CPU Reset. Can not access to FLASH ROM.
SDRAM initialization				
Send Boot and Program to SDRAM				
Boot starts in SDRAM				
Internal/external devices INITIALIZE and Initialization display		H	Changes to H before initializing external device.	FLASH ROM defect, ASDRAM defect
		L	Changes to L after starting task data processing. (After that, LCD initializing display)	External device defect
	LCD initializing display Speaker Processor YAMAHA SP2060	H<->L	Changes H/L every 500msec.	
[UTILITY]+[NEXT] Key pressing check	Test program mode			
Sum error Program sum check (Program damage check)	Download Mode			
Program starts				
Internal/external device reinitialize and display Measuring battery voltage	LCD Copyright display Copyright 2006 YAMAHA			
[BACK] Key pressing check	INITIALIZE mode			
Start sequence end After this, proceed to scene recall and network setting	Scene Recalling			
	Network Setup			

■ 電源立ち上げシーケンス

目的

ハードウェア診断を行う際にテストプログラムを使用しますが、そのテストプログラムが起動しない場合は原因を調べるのが困難となります。

電源立ち上げシーケンスは、リセット解除後からのソフトウェアの動きを明確にし、故障要因の判断材料を提供するものです。

CPU処理シーケンス	LCD画面表示	CPUのPTJ[7] (186ピン出力)		
		端子状態	説明	停止したときの理由
Power ON (リセット)		H	CPU内蔵プルアップ抵抗によりH	
CPU Reset解除 (Flash ROMでの動作開始)		L	CPUポート初期化時にL出力に設定	<ul style="list-style-type: none"> リセット解除されない FLASH ROMに全くアクセスできない
SDRAM初期化				
Boot部とProgram部をSDRAMへ転送				
Boot部のSDRAMでの実行開始				
内部・外部デバイス初期化と初期画面表示		H	外部デバイス初期化前にHに変更	FLASH ROM動作不良、SDRAM動作不良
	LCD初期画面 Speaker Processor YAMAHA SP2060	L	タスク動作開始後にLに変更 (その後LCD初期画面表示)	外部デバイスの不良
		H<->L	500msec毎にH/L切り替え出力	
[UTILITY]+[NEXT] キー押下チェック	テストプログラムモード			
サムエラー Program部のサムチェック (プログラムの破損確認)	Downloadモード			
Program部起動				
内部・外部デバイス再初期化と画面表示 バッテリー電圧の取得	LCD Copyright表示 Copyright 2006 YAMAHA			
[BACK] キー押下チェック	INITIALIZEモード			
起動シーケンス終了 この後、シーンリコール、ネットワーク設定へ	Scene Recalling			
	Network Setup			

■ DISPLAY MESSAGES

• Warning and error messages

Message	Meaning	Action
Duplicate IP Adr.	Duplicate IP addresses.	Change the IP addresses so that there are no duplicates.
Illegal MAC Adr.	An illegal MAC address has been encountered.	This could be due to a hardware malfunction. Exchange the CPU circuit board.
Invalid IP Adr.	The IP address is not set properly.	Set an appropriate network IP address.
Network Error	A cable is disconnected, the power to the connected switching hub or router is turned off, or a cable is not in proper condition.	Connect the cables properly, and make sure that the hub and/or router are operating correctly.
No MAC Adr.	MAC address not specified.	This could be due to a hardware malfunction. Exchange the CPU circuit board.
No Battery	The internal battery is completely discharged or not installed.	If you turn off the power to the unit, the current settings will be lost and reset to the default values. Exchange the battery, and then execute FACTORY SETUP.
Critical Battery	The internal battery is almost discharged. Your data may be lost.	If you turn off the power to the unit, the current settings may be lost and reset to the default values. Backup the data and then exchange the battery.
Low Battery	The backup battery voltage is low.	This does not affect the operation of the unit. However, if you continue using the unit, the settings may be lost and reset to the default values. Backup the data and then exchange the battery.
Recovering	A program update attempt has failed, and the previous program is currently being restored.	Do NOT turn power off while the unit is displaying this message. If the update attempt repeatedly fails, there may be a hardware malfunction. Exchange the CPU circuit board.
Saving Failed	A save operation has failed.	This could be due to a hardware malfunction. Exchange the CPU circuit board.
Param Access Err	Current setting cannot be displayed.	Save the current setting by using DME Designer, then initialize the unit.
Param Set Err	Current setting cannot be changed.	
W.Clk Unlocked	A usable word clock signal is not being received or cannot be detected.	Recheck all word clock connections and internal parameters.
DevGrp Sync Err	The device group configuration set via DME Designer does not match the real configuration.	Use DME Designer to go off-line, create a configuration that correctly matches the actual configuration, and then go back on-line to synchronize the configuration.
System Error	A system error has occurred.	Save the current setting by using DME Designer, then initialize the unit.
Scene Recall Err Try again!	A current scene data is damaged. And also analog output is muted.	Activate the test program, and then check the defect. (such as SRAM and BATTERY)

* **Do NOT turn off the power to the SP2060 while the unit displays the message “DO NOT TURN OFF!” at the bottom of the display.**

- **Status messages**

Message	Meaning
Connecting	Connecting to the network.
Download Success	The program has been successfully updated.
Downloading	Program update in progress. Do NOT turn power off while the unit displays this message.
File Operating	A file operation is in progress during which the computer manipulates scene data. Do NOT turn power off while the unit displays this message.
Network Setup	Preparing network connection.
Panel Locked	The User Lock function is engaged. The panel controls do not work.
Panel Unlocked	The User Lock function has been disengaged. Panel operation is now possible.
Scene Recalling	Scene recall in progress.
Scene Storing	Scene store in progress. Do NOT turn power off while the unit displays this message.
Cannot Recall	Recalling scenes or libraries is disabled.
Cannot Store	The scene store is disabled.
NO X-OVER	Input channels do not feature the X-Over parameter.
NO LIMITER	Input channels do not feature the Limiter parameter.
Protected	You cannot edit or delete protected scenes.
Panel Protected	If the User Lock function is turned on, you cannot change the parameters by using the panel controls.
NO ROUTING	Input channel SUM does not feature the Routing parameter.
NO LEVEL	Input channel SUM does not feature the Level parameter.
Network Busy	There is too much network traffic. Communication is very slow.
Synchronizing	Data is being received from the computer. Do NOT turn power off while the unit displays this message.
Scene Deleting	Deleting a scene. Do NOT turn power off while the unit displays this message.

* **Do NOT turn off the power to the SP2060 while the unit displays the message “DO NOT TURN OFF!” at the bottom of the display.**

■ ディスプレイメッセージ

• ワーニング/エラーメッセージ

メッセージ	内容	対策
Duplicate IP Adr.	IPアドレスが重複しています。	IPアドレスを重複しないように設定しなおしてください。
Illegal MAC Adr.	無効なMACアドレスが設定されています。	機器の故障と思われる。CPUシートを交換してください。
Invalid IP Adr.	IPアドレスが正しくありません。	正しいIPアドレスを設定してください。
Network Error	ケーブルが抜けていたり、接続しているハブやルーターの電源が切れていたり、もしくはケーブルが不適切な状態にある可能性があります。	ケーブルを正しく接続し、ハブやルーターなどの機器を正常に動作させてください。
No MAC Adr.	MACアドレスが設定されていません。	機器の故障と思われる。CPUシートを交換してください。
No Battery	バッテリーが完全に消耗している、もしくは装着されていません。	電源をオフにすると現在の設定が失われ、初期値に戻ります。バッテリーを交換してください。その後FACTORY SETUPを行ってください。
Critical Battery	バッテリーが極端に消耗しており、設定したデータが消えてしまう可能性があります。	電源をオフにすると現在の設定が失われ、初期値に戻る可能性があります。データをバックアップした後、バッテリーを交換してください。
Low Battery	バッテリーの残量が少なくなっています。	使用に支障はありませんが、そのまま継続して使用すると設定が失われ、初期設定に戻る可能性があります。データをバックアップした後、バッテリーを交換してください。
Recovering	プログラムの更新に失敗して更新前のプログラムに復旧しています。	メッセージ表示中は絶対に電源を切らないでください。連続して失敗する場合は機器の故障が考えられます。CPUシートを交換してください。
Saving Failed	設定が保存できません。	機器の故障と思われる。CPUシートを交換してください。
Param Access Err	現在の設定を表示できません。	DME Designerで現在の設定を保存したあと、初期化を行なってください。
Param Set Err	現在の設定を変更できません。	
W.Clk Unlocked	有効なワードクロックが入力されていないか、検出できません。	ワードクロックに関する接続と内部設定をもう1度確認してください。
DevGrp Sync Err	DME Designerで設定したデバイスグループの構成と、実際の構成が異なります。	実際の構成に合わせた設定をDME Designerで作成し、オンラインを実行してください。
System Error	システムエラーが発生しました。	DME Designerで現在の設定を保存したあと、初期化を行なってください。
Scene Recall Err Try again!	カレントシーンデータが壊れています。また、このときアナログアウトプットがMuteされています。	テストプログラムを起動して不具合を確認してください。(SRAM、BATTERYなど)

* ディスプレイ下段に“DO NOT TURN OFF!”が表示されている間は、電源を切らないでください。

• ステータスメッセージ

メッセージ	内容
Connecting	ネットワークを接続中です。
Download Success	プログラムの更新に成功しました。
Downloading	プログラムを更新しています。メッセージ表示中は電源を切らないでください。
File Operating	コンピューターからシーンに関する情報を操作しています。メッセージ表示中は電源を切らないでください。
Network Setup	ネットワーク接続の準備中です。
Panel Locked	ユーザーロックが設定されています。パネル操作できません。
Panel Unlocked	ユーザーロックが解除されました。パネル操作できます。
Scene Recalling	シーンリコール中です。
Scene Storing	シーンストア中です。メッセージ表示中は電源を切らないでください。
Cannot Recall	シーンやライブラリーのリコールが禁止されています。
Cannot Store	シーンストアが禁止されています。
NO X-OVER	X-OVERはインプットチャンネルのパラメーターにはありません。
NO LIMITER	LIMITERはインプットチャンネルのパラメーターにはありません。
Protected	プロテクトのかかったシーンは編集、または消去できません。
Panel Protected	ユーザーロック機能がオンに設定されている場合には、パネル操作によってパラメーターを変更することはできません
NO ROUTING	ROUTINGはINPUT SUMチャンネルのパラメーターにはありません。
NO LEVEL	LEVELはINPUT SUMチャンネルのパラメーターにはありません。
Network Busy	ネットワークのトラフィックが多くて、通信に時間がかかっています。
Synchronizing	コンピューターからデータを受信中です。メッセージ表示中は電源を切らないでください。
Scene Deleting	シーンを削除中です。メッセージ表示中は電源を切らないでください。

* ディスプレイ下段に“DO NOT TURN OFF!”が表示されている間は、電源を切らないでください。

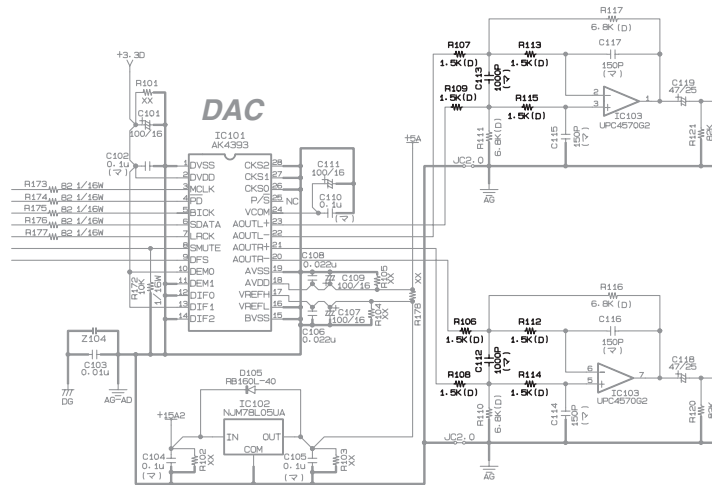
OUTPUT LEVEL CHANGE METHOD (出力レベル変更方法)

The maximum output level obtained at OUTPUT 1~6 terminals is +24 dBu when the SP2060 is shipped out from the factory.

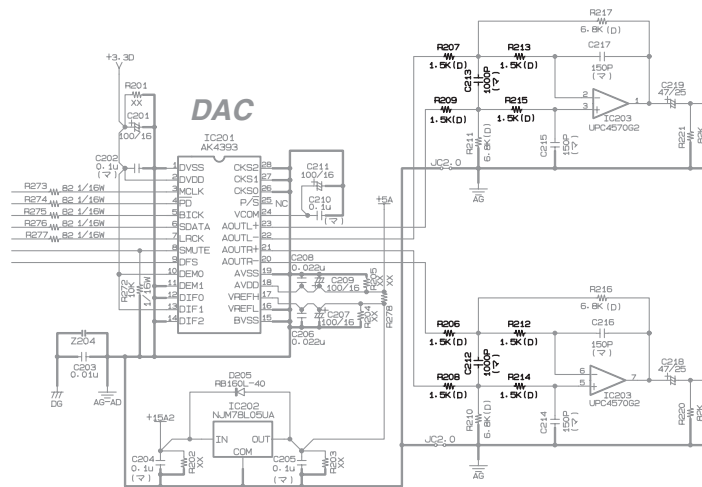
When the customer required to change the maximum output level from +24 dBu to +18 dBu, exchange the components on the ANA circuit board according to the following.

工場出荷時、OUTPUT 1~6の最大出力レベルは+24 dBuに設定されていますが、+24 dBuから+18 dBuへの変更をユーザーが希望された場合、下記に従ってANAシートの部品を交換してください。

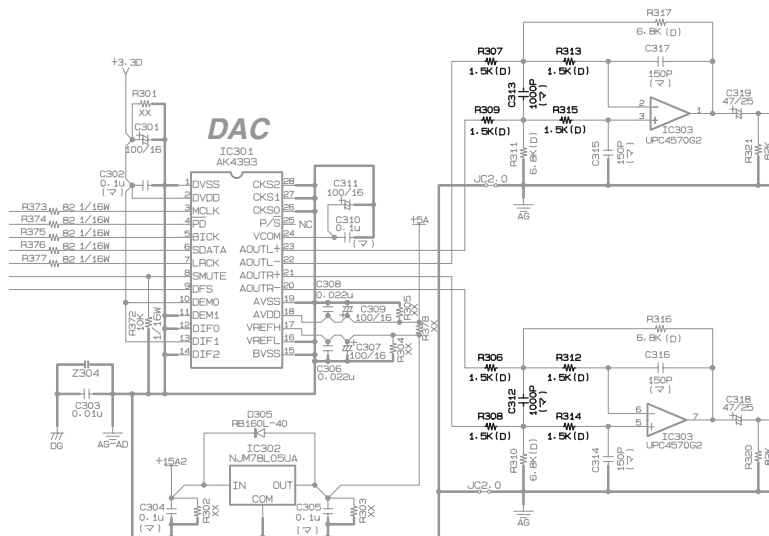
REF. NO.	Components for maximum output level +18 dBu (最大出力+18 dBu対応定数)
R106-R109	3 k (VI196000)
R112-R115	3 k (VI196000)
C112-C113	560 p (UA352560)

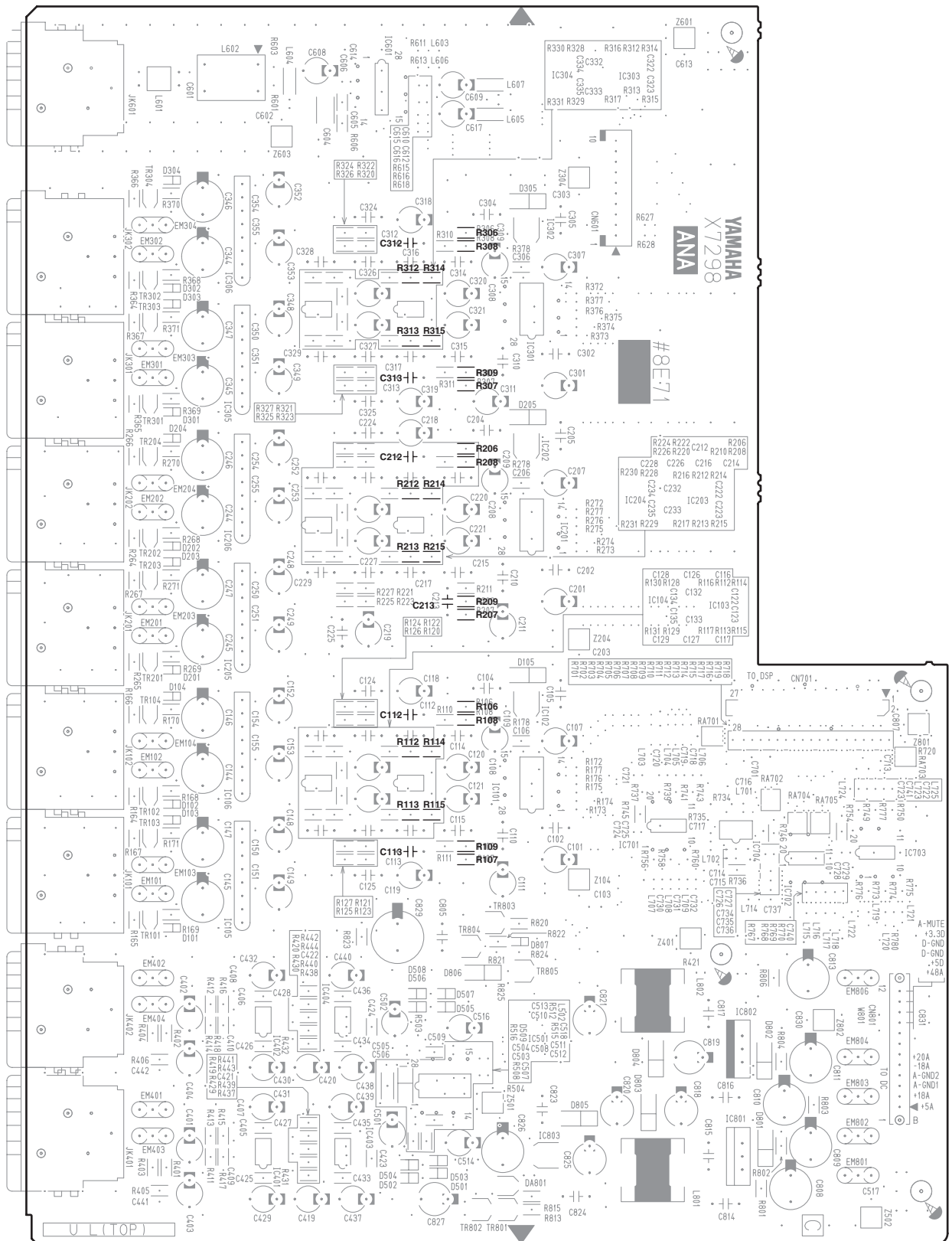


REF. NO.	Components for maximum output level +18 dBu (最大出力+18 dBu対応定数)
R206-R209	3 k (VI196000)
R212-R215	3 k (VI196000)
C212-C213	560 p (UA352560)



REF. NO.	Components for maximum output level +18 dBu (最大出力+18 dBu対応定数)
R306-R309	3 k (VI196000)
R312-R315	3 k (VI196000)
C312-C313	560 p (UA352560)





Inspection after exchanging the components

Input analog signal to INPUT A, B terminals and then measure the output signal obtained at OUTPUT 1~6 terminals. For the details of the measuring procedures, refer to INSPECTIONS on page 54.

部品交換後の検査

INPUT A、B端子にアナログ信号を入力し、OUTPUT 1~6端子の出力信号を測定します。
測定手順の詳細は「検査」(57ページ)を参照してください。

① Gain / 利得

Input frequency (入力周波数)	Input level (入力レベル)	Specified output level (規定出力レベル)	Variation width (許容範囲)
1 kHz	+4 dBu	-2 dBu	-2±2 dBu

② Frequency Characteristics / 周波数特性

Input frequency (入力周波数)	Input level (入力レベル)	Output level (reference) (出力レベル(参考値))	Variation width (許容範囲)
20 Hz	+4 dBu	-2 dBu	-1.5 ~ +0.5 dB
40 kHz	+4 dBu	-2 dBu	-1.5 ~ +0.5 dB

SPEAKER PROCESSOR

SP 2060

PARTS LIST

■ CONTENTS (目次)

OVERALL ASSEMBLY (総組立)	3
ELECTRICAL PARTS (電気部品)	7

Notes: DESTINATION ABBREVIATIONS

A :	Australian model	M :	South African model
B :	British model	O :	Chinese model
C :	Canadian model	Q :	South-east Asia model
D :	German model	T :	Taiwan model
E :	European model	U :	U.S.A. model
F :	French model	V :	General export model (110V)
H :	North European model	W :	General export model (220V)
I :	Indonesian model	N,X:	General export model
J :	Japanese model	Y :	Export model
K :	Korean model		

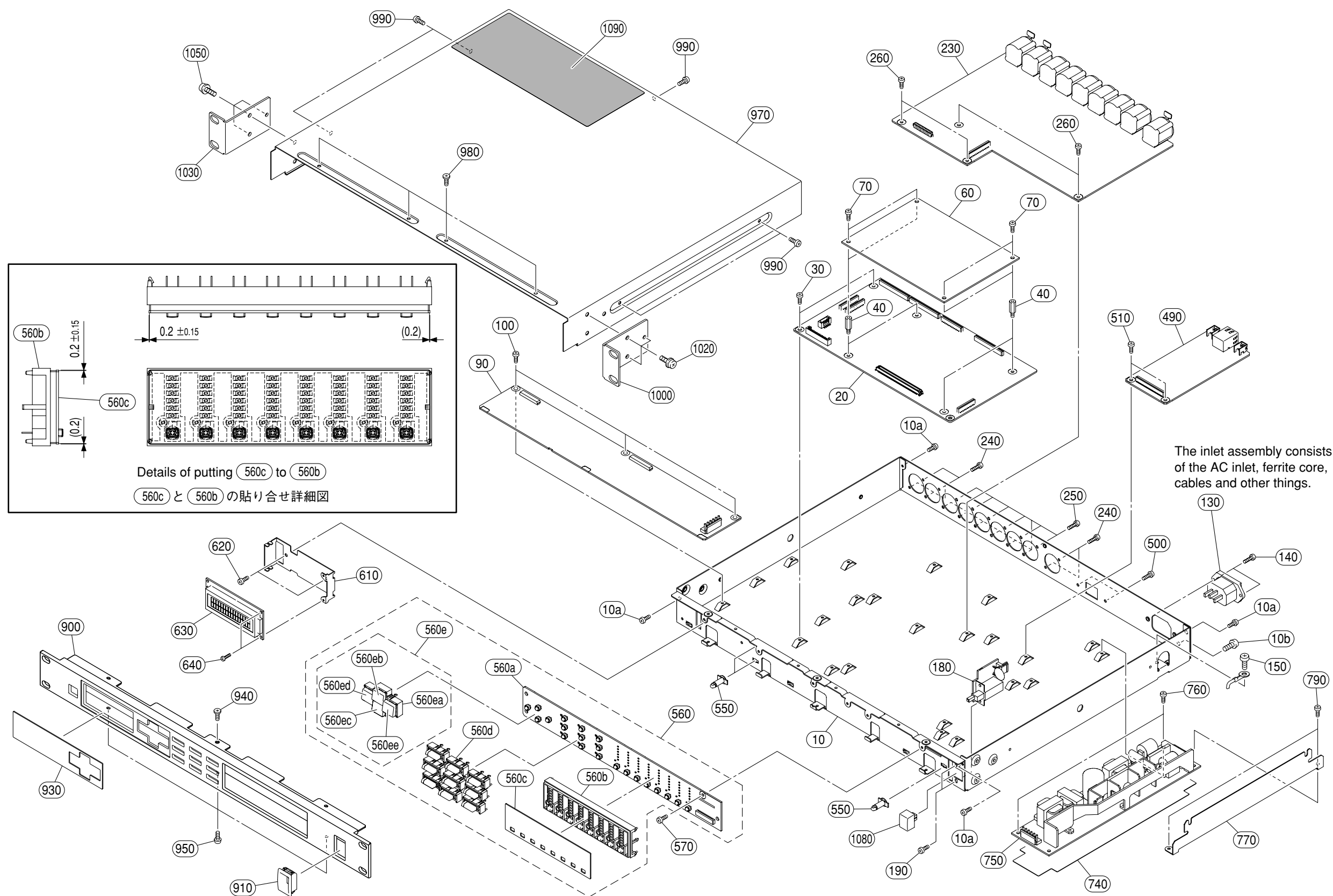
■ WARNING (注意)

Components having special characteristics are marked Δ and must be replaced with parts having specification equal to those originally installed.

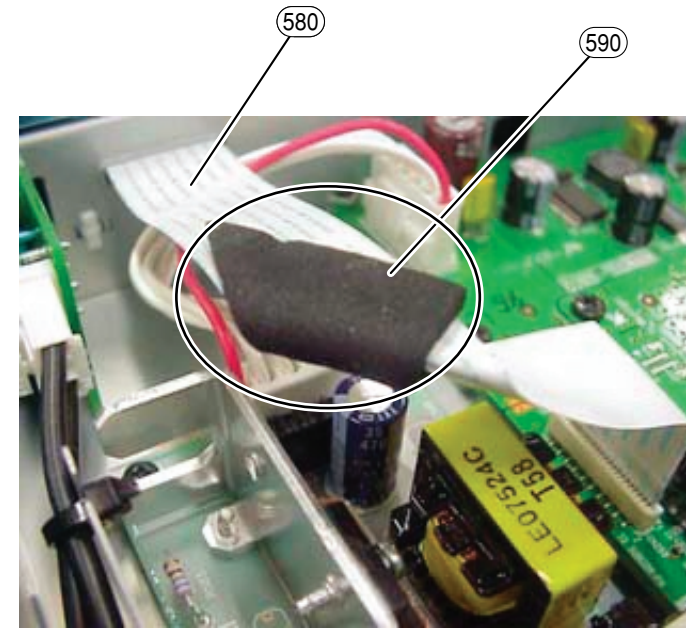
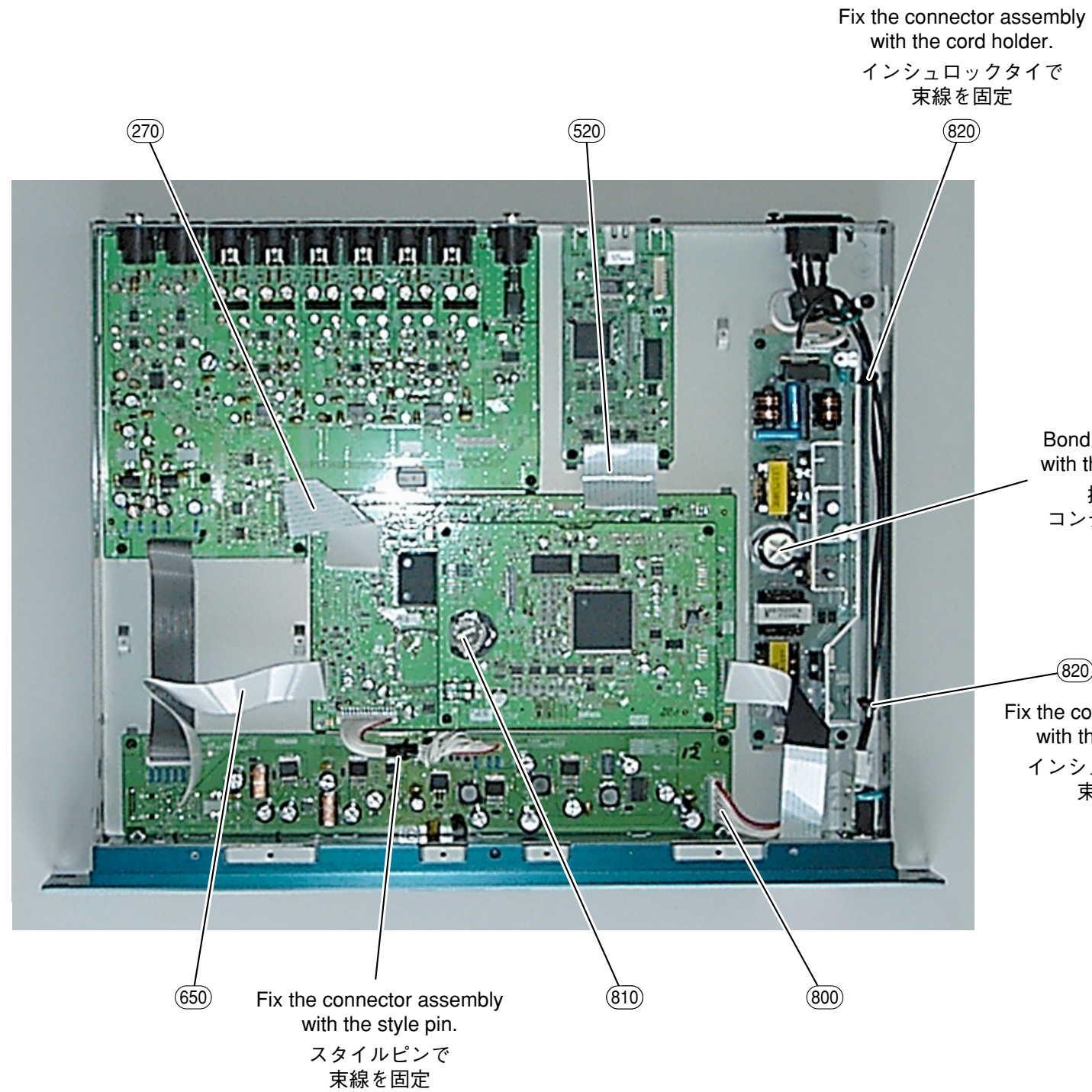
Δ 印の部品は、安全を維持するために重要な部品です。交換する場合は、安全のために必ず指定の部品をご使用ください。

- The numbers "QTY" show quantities for each unit.
- The parts with "--" in "PART NO." are not available as spare parts.
- This mark "}" in the REMARKS column means these parts are interchangeable.
- The second letter of the shaded (■) part number is O, not zero.
- The second letter of the shaded (■) part number is I, not one.
- 部品価格ランクは、変更になることがあります。
- QTY 欄に記されている数字は、各ユニット当たりの使用個数です。
- PART NO. が "--" の部分は、サービス用部品として準備されておりません。
- REMARKS 欄の「}」マークの部品は、併用部品です。
- 網掛けの付いた PART NO. の 2 番目の文字は「ゼロ」ではなく、「オー」です。
- 網掛けの付いた PART NO. の 2 番目の文字は「イチ」ではなく、「アイ」です。

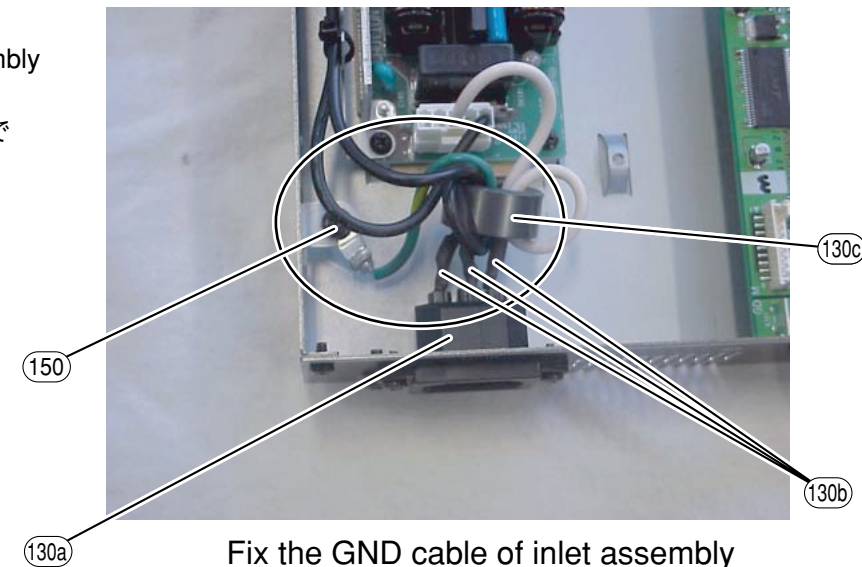
OVERALL ASSEMBLY 1/2 (総組立 1/2)



OVERALL ASSEMBLY 2/2 (総組立 2/2)



Put the cushion FFC around on upper and lower face of bending part of the flexible flat cable as shown in Fig. above.
クッションFFCを図のようにFFCケーブルの曲げ部の上面下面に周り込む様に貼付ける



Fix the GND cable of inlet assembly with winding it as shown in Fig. above.
インレットASS'Yのアース線を図のように巻き付けて固定する

REF NO.	PART NO.	DESCRIPTION	部 品 名	REMARKS	QTY	RANK
	--	OVERALL ASSEMBLY	総組立	SP2060 (WG20180)		
* 10	WG359700	Bottom Chassis	ボトムシャーシ印刷品			
10a	WE877800	Bind Head Tapping Screw-S	3x6 MFZN2B3	Sタイト+BIND	4	01
10b	WE994800	Bind Head Tapping Screw-S	4x8 MFZN2B3	Sタイト+BIND		01
* 20	WG301700	Circuit Board	DSP	D S P シ ー ト		
30	WE877800	Bind Head Tapping Screw-S	3x6 MFZN2B3	Sタイト+BIND	2	01
* 40	WG501800	Hexagonal Spacer	L=13	六角スペーサーM3	4	
* 60	WG301500	Circuit Board	CPU	C P U シ ー ト		
70	WE877800	Bind Head Tapping Screw-S	3x6 MFZN2B3	Sタイト+BIND	4	01
* 90	WG303600	Circuit Board	DC (SUB1/3)	D C シ ー ト		
100	WE877800	Bind Head Tapping Screw-S	3x6 MFZN2B3	Sタイト+BIND	3	01
130	WB440900	Inlet Assembly	AC INLET & LUG	インレットA s s ' y		07
130a	V5065200	AC Inlet	3P 1908-C	A C インレット 3 P		03
130b	--	Tube Black	5.0	フミチューブ クロ		
130c	VC362700	Ferrite Core	FR25/15/12-1400L	フェライトコア		04
140	WE774400	Bind Head Tapping Screw-B	3x8 MFZN2B3	Bタイト+BIND	2	01
150	WE994800	Bind Head Tapping Screw-S	4x8 MFZN2B3	Sタイト+BIND		01
* 180	WG303700	Circuit Board	PS (SUB3/3)	P S シ ー ト		
190	WE877800	Bind Head Tapping Screw-S	3x6 MFZN2B3	Sタイト+BIND	2	01
* 230	WG304000	Circuit Board	ANA	A N A シ ー ト		
240	WE774400	Bind Head Tapping Screw-B	3x8 MFZN2B3	Bタイト+BIND	6	01
250	WE774400	Bind Head Tapping Screw-B	3x8 MFZN2B3	Bタイト+BIND	12	01
260	WE877800	Bind Head Tapping Screw-S	3x6 MFZN2B3	Sタイト+BIND	4	01
* 270	WG477600	Flexible Flat Cable	28P 100mm P=1.0	バンカー ド		
* 490	WG302100	Circuit Board	ENT	E N T シ ー ト		
500	WE877800	Bind Head Tapping Screw-S	3x6 MFZN2B3	Sタイト+BIND	2	01
510	WE877800	Bind Head Tapping Screw-S	3x6 MFZN2B3	Sタイト+BIND	2	01
* 520	WG477700	Flexible Flat Cable	38P 60mm P=1.0	バンカー ド		
* 550	WH643500	Spacer	L=13	スペーサー	3	
560	--	Meter Assembly		メーターA s s ' y		
* 560a	WG303500	Circuit Board	PN (SUB2/3)	P N シ ー ト		
* 560b	WG203200	Meter Block		メーターブロック		
* 560c	WG359000	Window MT		ウインドウMT印刷品		
560d	WB436100	Button	LIGHT	ボタン 照光	9	02
				LEVEL,DELAY,EQ ROUTING,X-OVER,LIMITER SCENE,UTILITY,MUTE		
* 560e	WG359900	Button	CURSOR	ボタン C U R S O R		
560ea	--	Button	BASE CROSS	ボタンベース十字		
560eb	--	Button	UP	ボタン U P 印刷品	INC	(WB43070) (WG36020)
* 560ec	--	Button	DOWN	ボタン D O W N 印刷品	DEC	(WG36030)
560ed	--	Button	LEFT	ボタン L E F T 印刷品	BACK	(WG36000)
560ee	--	Button	RIGHT	ボタン R I G H T 印刷品	NEXT	(WG36010)
570	WE877800	Bind Head Tapping Screw-S	3x6 MFZN2B3	Sタイト+BIND		01
* 580	WG477500	Flexible Flat Cable	21P 180mm P=1.0	バンカー ド		
590	--	Cushion FFC		クッション F F C		
610	--	Bracket LCD		L C D 金 具		
620	WE877800	Bind Head Tapping Screw-S	3x6 MFZN2B3	Sタイト+BIND	2	01
630	WB448400	LCD	EW10212YMR-G2	液晶ディスプレイ		12
640	WE961700	Bind Head Tapping Screw-B	2.6x8 MFZN2B3	Bタイト+BIND	2	01
* 650	WG477400	Flexible Flat Cable	20P 220mm P=1.0	バンカー ド		
* 740	WC241000	Cover PS	AD8HR	P S カバ ー		
* 750	WE620800	Power Supply Unit	LEA75F-24-SXYMH	電源ユニット		
760	WH673900	Bind Head Tapping Screw-S	3x6 MFZN2W3	Sタイト+BIND	2	01
770	--	Dividing Board	AD8HR	仕切り板 R		
790	WH673900	Bind Head Tapping Screw-S	3x6 MFZN2W3	Sタイト+BIND	2	01
800	WC231700	Connector Assembly	VH&VH 6P 100mm	束線 # 2 0		05
810	VN103500	Lithium Battery	CR2032	リチウム電池		03
820	CB069250	Cord Holder	BK-1	インシュロックタイ	2	01
* 900	WG214200	Front Panel		フロントパネル印刷品		
910	WB426500	Button Guide PSW		ボタンガイド P S W		01
* 930	WG359200	Window LCD		ウインドウLCD印刷		
* 940	WF054700	Special Flat Head Screw-S	3x6 MFZN2B3	S タ イ ト		
950	WE877800	Bind Head Tapping Screw-S	3x6 MFZN2B3	Sタイト+BIND	4	01
970	WB424400	Top Cover		トップカバープレス品		09
* 980	WF054700	Special Flat Head Screw-S	3x6 MFZN2B3	S タ イ ト	4	
990	WE877800	Bind Head Tapping Screw-S	3x6 MFZN2B3	Sタイト+BIND	5	01
* 1000	WH167100	Rack Angle		ラックアングル塗装品		
* 1020	WE986200	Bind Head Tapping Screw-B	4x8 MFZN2B3	Bタイト+BIND	3	
* 1030	WH167100	Rack Angle		ラックアングル塗装品		
* 1050	WE986200	Bind Head Tapping Screw-B	4x8 MFZN2B3	Bタイト+BIND	3	

*: New Parts

RANK: Japan only

△
△
△
△
△

REF NO.	PART NO.	DESCRIPTION	部 品 名	REMARKS	QTY	RANK
1080	WB426600	Button PSW	ボ タ ン P S W	POWER ON/OFF		01
1090	--	Label, Name Plate	ラ ベ ル	(WG50280)		
		ACCESSORIES	付 属 品			
	VT119800	AC Cord J 7A 125V 3P 2.5m	電 源 コ ー ド	J		06
	VB927800	AC Cord CSA	電 源 コ ー ド	U		08
	VB928000	AC Cord VDE	電 源 コ ー ド	H		08
	WE667300	AC Cord BS	電 源 コ ー ド	B		09
	WC901300	AC Cord Set CHN 3 2.5m	電 源 コ ー ド セ ッ ト	O		10
	WC663800	Rubber Foot Assembly	ゴ ム 脚 A s s ' y			02

*: New Parts

RANK: Japan only

ELECTRICAL PARTS (電気部品)

REF NO.	PART NO.	DESCRIPTION	部 品 名	REMARKS	QTY	RANK
		ELECTRICAL PARTS	電 気 部 品	SP2060		
*	WG304000	Circuit Board	A N A シ ー ト	(X7298C0)		
*	WG301500	Circuit Board	C P U シ ー ト	(X6028C0)		
*	WG301700	Circuit Board	D S P シ ー ト	(X7296C0)		
*	WG302100	Circuit Board	E N T シ ー ト	(WG30200)(X7295C0)		
*	WG303600	Circuit Board	D C シ ー ト	(WG30340)(X7297C0)		
*	WG303500	Circuit Board	P N シ ー ト	(WG30340)(X7297C0)		
*	WG303700	Circuit Board	P S シ ー ト	(WG30340)(X7297C0)		
	WG304000	Circuit Board	A N A シ ー ト	(X7298C0)		
C101	UU238100	Electrolytic Cap.	ケ ミ コ ン F W			01
C102	UA355100	Mylar Capacitor	マ イ ラ ー コ ン			01
C103	US064100	Ceramic Capacitor-B (chip)	チ ッ プ セ ラ (B)			01
C104	UA355100	Mylar Capacitor	マ イ ラ ー コ ン			01
C105	UA355100	Mylar Capacitor	マ イ ラ ー コ ン			01
C106	US044220	Ceramic Capacitor-B (chip)	チ ッ プ セ ラ (B)			01
C107	UU238100	Electrolytic Cap.	ケ ミ コ ン F W			01
C108	US044220	Ceramic Capacitor-B (chip)	チ ッ プ セ ラ (B)			01
C109	UU238100	Electrolytic Cap.	ケ ミ コ ン F W			01
C110	UA355100	Mylar Capacitor	マ イ ラ ー コ ン			01
C111	UU238100	Electrolytic Cap.	ケ ミ コ ン F W			01
C112	UA353100	Mylar Capacitor	マ イ ラ ー コ ン			01
C113	UA353100	Mylar Capacitor	マ イ ラ ー コ ン			01
C114	UA352150	Mylar Capacitor	マ イ ラ ー コ ン			01
-117	UA352150	Mylar Capacitor	マ イ ラ ー コ ン			01
C118	UU247470	Electrolytic Cap.	ケ ミ コ ン F W			01
-121	UU247470	Electrolytic Cap.	ケ ミ コ ン F W			01
C124	UA352820	Mylar Capacitor	マ イ ラ ー コ ン			
C125	UA352820	Mylar Capacitor	マ イ ラ ー コ ン			
C126	UA352120	Mylar Capacitor	マ イ ラ ー コ ン			01
C127	UA352120	Mylar Capacitor	マ イ ラ ー コ ン			01
C128	UA353220	Mylar Capacitor	マ イ ラ ー コ ン			01
C129	UA353220	Mylar Capacitor	マ イ ラ ー コ ン			01
C134	WB572500	Mylar Capacitor (chip)	チ ッ プ マ イ ラ ー			01
C135	WB572500	Mylar Capacitor (chip)	チ ッ プ マ イ ラ ー			01
C136	US061330	Ceramic Capacitor-CH(chip)	チ ッ プ セ ラ (C H)			01
C137	US061330	Ceramic Capacitor-CH(chip)	チ ッ プ セ ラ (C H)			01
C140	US061330	Ceramic Capacitor-CH(chip)	チ ッ プ セ ラ (C H)			01
C141	US061330	Ceramic Capacitor-CH(chip)	チ ッ プ セ ラ (C H)			01
C144	UU248220	Electrolytic Cap.	ケ ミ コ ン F W			01
-147	UU248220	Electrolytic Cap.	ケ ミ コ ン F W			01
C148	UU238100	Electrolytic Cap.	ケ ミ コ ン F W			01
C149	UU238100	Electrolytic Cap.	ケ ミ コ ン F W			01
C152	UU238100	Electrolytic Cap.	ケ ミ コ ン F W			01
C153	UU238100	Electrolytic Cap.	ケ ミ コ ン F W			01
C201	UU238100	Electrolytic Cap.	ケ ミ コ ン F W			01
C202	UA355100	Mylar Capacitor	マ イ ラ ー コ ン			01
C203	US064100	Ceramic Capacitor-B (chip)	チ ッ プ セ ラ (B)			01
C204	UA355100	Mylar Capacitor	マ イ ラ ー コ ン			01
C205	UA355100	Mylar Capacitor	マ イ ラ ー コ ン			01
C206	US044220	Ceramic Capacitor-B (chip)	チ ッ プ セ ラ (B)			01
C207	UU238100	Electrolytic Cap.	ケ ミ コ ン F W			01
C208	US044220	Ceramic Capacitor-B (chip)	チ ッ プ セ ラ (B)			01
C209	UU238100	Electrolytic Cap.	ケ ミ コ ン F W			01
C210	UA355100	Mylar Capacitor	マ イ ラ ー コ ン			01
C211	UU238100	Electrolytic Cap.	ケ ミ コ ン F W			01
C212	UA353100	Mylar Capacitor	マ イ ラ ー コ ン			01
C213	UA353100	Mylar Capacitor	マ イ ラ ー コ ン			01
C214	UA352150	Mylar Capacitor	マ イ ラ ー コ ン			01
-217	UA352150	Mylar Capacitor	マ イ ラ ー コ ン			01
C218	UU247470	Electrolytic Cap.	ケ ミ コ ン F W			01
-221	UU247470	Electrolytic Cap.	ケ ミ コ ン F W			01
C224	UA352820	Mylar Capacitor	マ イ ラ ー コ ン			
C225	UA352820	Mylar Capacitor	マ イ ラ ー コ ン			
C226	UA352120	Mylar Capacitor	マ イ ラ ー コ ン			01
C227	UA352120	Mylar Capacitor	マ イ ラ ー コ ン			01
C228	UA353220	Mylar Capacitor	マ イ ラ ー コ ン			01
C229	UA353220	Mylar Capacitor	マ イ ラ ー コ ン			01
C234	WB572500	Mylar Capacitor (chip)	チ ッ プ マ イ ラ ー			01
C235	WB572500	Mylar Capacitor (chip)	チ ッ プ マ イ ラ ー			01

*: New Parts

RANK: Japan only

ANA

REF NO.	PART NO.	DESCRIPTION	部 品 名	REMARKS	QTY	RANK
C236	US061330	Ceramic Capacitor-CH(chip)	33pF 50V J	チ ッ プ セ ラ (C H)		01
C237	US061330	Ceramic Capacitor-CH(chip)	33pF 50V J	チ ッ プ セ ラ (C H)		01
C240	US061330	Ceramic Capacitor-CH(chip)	33pF 50V J	チ ッ プ セ ラ (C H)		01
C241	US061330	Ceramic Capacitor-CH(chip)	33pF 50V J	チ ッ プ セ ラ (C H)		01
C244	UU248220	Electrolytic Cap.	220uF 25V	ケ ミ コ ン F W		01
-247	UU248220	Electrolytic Cap.	220uF 25V	ケ ミ コ ン F W		01
C248	UU238100	Electrolytic Cap.	100uF 16V	ケ ミ コ ン F W		01
C249	UU238100	Electrolytic Cap.	100uF 16V	ケ ミ コ ン F W		01
C252	UU238100	Electrolytic Cap.	100uF 16V	ケ ミ コ ン F W		01
C253	UU238100	Electrolytic Cap.	100uF 16V	ケ ミ コ ン F W		01
C301	UU238100	Electrolytic Cap.	100uF 16V	ケ ミ コ ン F W		01
C302	UA355100	Mylar Capacitor	0.10uF 50V J	マ イ ラ ー コ ン		01
C303	US064100	Ceramic Capacitor-B (chip)	0.01uF 50V K	チ ッ プ セ ラ (B)		01
C304	UA355100	Mylar Capacitor	0.10uF 50V J	マ イ ラ ー コ ン		01
C305	UA355100	Mylar Capacitor	0.10uF 50V J	マ イ ラ ー コ ン		01
C306	US044220	Ceramic Capacitor-B (chip)	0.022uF 25V K	チ ッ プ セ ラ (B)		01
C307	UU238100	Electrolytic Cap.	100uF 16V	ケ ミ コ ン F W		01
C308	US044220	Ceramic Capacitor-B (chip)	0.022uF 25V K	チ ッ プ セ ラ (B)		01
C309	UU238100	Electrolytic Cap.	100uF 16V	ケ ミ コ ン F W		01
C310	UA355100	Mylar Capacitor	0.10uF 50V J	マ イ ラ ー コ ン		01
C311	UU238100	Electrolytic Cap.	100uF 16V	ケ ミ コ ン F W		01
C312	UA353100	Mylar Capacitor	1000pF 50V J	マ イ ラ ー コ ン		01
C313	UA353100	Mylar Capacitor	1000pF 50V J	マ イ ラ ー コ ン		01
C314	UA352150	Mylar Capacitor	150pF 50V J	マ イ ラ ー コ ン		01
-317	UA352150	Mylar Capacitor	150pF 50V J	マ イ ラ ー コ ン		01
C318	UU247470	Electrolytic Cap.	47uF 25V	ケ ミ コ ン F W		01
-321	UU247470	Electrolytic Cap.	47uF 25V	ケ ミ コ ン F W		01
C324	UA352820	Mylar Capacitor	820pF 50V J	マ イ ラ ー コ ン		01
C325	UA352820	Mylar Capacitor	820pF 50V J	マ イ ラ ー コ ン		01
C326	UA352120	Mylar Capacitor	120pF 50V J	マ イ ラ ー コ ン		01
C327	UA352120	Mylar Capacitor	120pF 50V J	マ イ ラ ー コ ン		01
C328	UA353220	Mylar Capacitor	2200pF 50V J	マ イ ラ ー コ ン		01
C329	UA353220	Mylar Capacitor	2200pF 50V J	マ イ ラ ー コ ン		01
C334	WB572500	Mylar Capacitor (chip)	0.01uF 16V J	チ ッ プ マ イ ラ ー		01
C335	WB572500	Mylar Capacitor (chip)	0.01uF 16V J	チ ッ プ マ イ ラ ー		01
C336	US061330	Ceramic Capacitor-CH(chip)	33pF 50V J	チ ッ プ セ ラ (C H)		01
C337	US061330	Ceramic Capacitor-CH(chip)	33pF 50V J	チ ッ プ セ ラ (C H)		01
C340	US061330	Ceramic Capacitor-CH(chip)	33pF 50V J	チ ッ プ セ ラ (C H)		01
C341	US061330	Ceramic Capacitor-CH(chip)	33pF 50V J	チ ッ プ セ ラ (C H)		01
C344	UU248220	Electrolytic Cap.	220uF 25V	ケ ミ コ ン F W		01
-347	UU248220	Electrolytic Cap.	220uF 25V	ケ ミ コ ン F W		01
C348	UU238100	Electrolytic Cap.	100uF 16V	ケ ミ コ ン F W		01
C349	UU238100	Electrolytic Cap.	100uF 16V	ケ ミ コ ン F W		01
C352	UU238100	Electrolytic Cap.	100uF 16V	ケ ミ コ ン F W		01
C353	UU238100	Electrolytic Cap.	100uF 16V	ケ ミ コ ン F W		01
C401	UU247470	Electrolytic Cap.	47uF 25V	ケ ミ コ ン F W		01
-404	UU247470	Electrolytic Cap.	47uF 25V	ケ ミ コ ン F W		01
C407	US061820	Ceramic Capacitor-SL(chip)	82pF 50V J	チ ッ プ セ ラ (S L)		01
-410	US061820	Ceramic Capacitor-SL(chip)	82pF 50V J	チ ッ プ セ ラ (S L)		01
C419	UU247470	Electrolytic Cap.	47uF 25V	ケ ミ コ ン F W		01
C420	UU247470	Electrolytic Cap.	47uF 25V	ケ ミ コ ン F W		01
C421	VR327500	Mylar Capacitor (chip)	100pF 50V J	チ ッ プ マ イ ラ ー		01
-424	VR327500	Mylar Capacitor (chip)	100pF 50V J	チ ッ プ マ イ ラ ー		01
C425	WB572500	Mylar Capacitor (chip)	0.01uF 16V J	チ ッ プ マ イ ラ ー		01
-428	WB572500	Mylar Capacitor (chip)	0.01uF 16V J	チ ッ プ マ イ ラ ー		01
C437	UU247470	Electrolytic Cap.	47uF 25V	ケ ミ コ ン F W		01
-440	UU247470	Electrolytic Cap.	47uF 25V	ケ ミ コ ン F W		01
C501	UU238100	Electrolytic Cap.	100uF 16V	ケ ミ コ ン F W		01
C502	UU238100	Electrolytic Cap.	100uF 16V	ケ ミ コ ン F W		01
C503	US044220	Ceramic Capacitor-B (chip)	0.022uF 25V K	チ ッ プ セ ラ (B)		01
C504	US063100	Ceramic Capacitor-B (chip)	1000pF 50V K	チ ッ プ セ ラ (B)		01
C505	US044220	Ceramic Capacitor-B (chip)	0.022uF 25V K	チ ッ プ セ ラ (B)		01
C506	US063100	Ceramic Capacitor-B (chip)	1000pF 50V K	チ ッ プ セ ラ (B)		01
C507	VZ243300	Ceramic Capacitor (Chip)	0.22uF 16V K	チ ッ プ セ ラ		01
C508	WB571900	Mylar Capacitor (chip)	3300pF 16V J	チ ッ プ マ イ ラ ー		01
C509	WB571900	Mylar Capacitor (chip)	3300pF 16V J	チ ッ プ マ イ ラ ー		01
C510	US063100	Ceramic Capacitor-B (chip)	1000pF 50V K	チ ッ プ セ ラ (B)		01
C511	US063100	Ceramic Capacitor-B (chip)	1000pF 50V K	チ ッ プ セ ラ (B)		01
C512	US044220	Ceramic Capacitor-B (chip)	0.022uF 25V K	チ ッ プ セ ラ (B)		01
C513	US044220	Ceramic Capacitor-B (chip)	0.022uF 25V K	チ ッ プ セ ラ (B)		01

*: New Parts

RANK: Japan only

ANA

REF NO.	PART NO.	DESCRIPTION		部 品 名	REMARKS	QTY	RANK
C514	UU238100	Electrolytic Cap.	100uF 16V	ケミコン F W			01
C516	UU238100	Electrolytic Cap.	100uF 16V	ケミコン F W			01
C517	US064100	Ceramic Capacitor-B (chip)	0.01uF 50V K	チップセラ (B)			01
C601	US035100	Ceramic Capacitor-B (chip)	0.1uF 16V K	チップセラ (B)			01
C602	US064100	Ceramic Capacitor-B (chip)	0.01uF 50V K	チップセラ (B)			01
C604	VR327300	Mylar Capacitor (chip)	0.082uF 16V J	チップマイラー			01
C605	VS026900	Mylar Capacitor (chip)	3900pF 16V G	チップマイラー			01
C606	US035100	Ceramic Capacitor-B (chip)	0.1uF 16V K	チップセラ (B)			01
C608	UR047220	Electrolytic Cap.	22uF 25V	ケミコン			
C609	UR047220	Electrolytic Cap.	22uF 25V	ケミコン			
C610	US063100	Ceramic Capacitor-B (chip)	1000pF 50V K	チップセラ (B)			01
C612	US063100	Ceramic Capacitor-B (chip)	1000pF 50V K	チップセラ (B)			01
C613	US064100	Ceramic Capacitor-B (chip)	0.01uF 50V K	チップセラ (B)			01
C614	US063100	Ceramic Capacitor-B (chip)	1000pF 50V K	チップセラ (B)			01
C615	US035100	Ceramic Capacitor-B (chip)	0.1uF 16V K	チップセラ (B)			01
C616	US035100	Ceramic Capacitor-B (chip)	0.1uF 16V K	チップセラ (B)			01
C617	UR047220	Electrolytic Cap.	22uF 25V	ケミコン			
C714	US063100	Ceramic Capacitor-B (chip)	1000pF 50V K	チップセラ (B)			01
C715	US044220	Ceramic Capacitor-B (chip)	0.022uF 25V K	チップセラ (B)			01
C716	US061100	Ceramic Capacitor-CH(chip)	10pF 50V D	チップセラ (C H)			01
C724	US044220	Ceramic Capacitor-B (chip)	0.022uF 25V K	チップセラ (B)			01
C725	US063100	Ceramic Capacitor-B (chip)	1000pF 50V K	チップセラ (B)			01
C726	US044220	Ceramic Capacitor-B (chip)	0.022uF 25V K	チップセラ (B)			01
C727	US063100	Ceramic Capacitor-B (chip)	1000pF 50V K	チップセラ (B)			01
C728	US044220	Ceramic Capacitor-B (chip)	0.022uF 25V K	チップセラ (B)			01
C729	US063100	Ceramic Capacitor-B (chip)	1000pF 50V K	チップセラ (B)			01
C805	VE326000	Mylar Capacitor	0.10uF 50V J	マイラーコン			01
C807	US064100	Ceramic Capacitor-B (chip)	0.01uF 50V K	チップセラ (B)			01
C808	V8221400	Electrolytic Cap.	120uF 20V	O S コン			04
C809	UU248220	Electrolytic Cap.	220uF 25V	ケミコン F W			01
-811	UU248220	Electrolytic Cap.	220uF 25V	ケミコン F W			01
C813	V8221400	Electrolytic Cap.	120uF 20V	O S コン			04
C814	VE326000	Mylar Capacitor	0.10uF 50V J	マイラーコン			01
-817	VE326000	Mylar Capacitor	0.10uF 50V J	マイラーコン			01
C818	UU238220	Electrolytic Cap.	220uF 16V	ケミコン F W			01
-821	UU238220	Electrolytic Cap.	220uF 16V	ケミコン F W			01
C823	UA355120	Mylar Capacitor	0.12uF 50V J	マイラーコン			01
C824	UA355120	Mylar Capacitor	0.12uF 50V J	マイラーコン			01
C825	UU238220	Electrolytic Cap.	220uF 16V	ケミコン F W			01
C826	WA122600	Electrolytic Cap.	220uF 10V	ケミコン H C			01
C827	UU238220	Electrolytic Cap.	220uF 16V	ケミコン F W			01
C829	WA163300	Electrolytic Cap.	220uF 35V	ケミコン H D			01
C830	US064100	Ceramic Capacitor-B (chip)	0.01uF 50V K	チップセラ (B)			01
C831	US064100	Ceramic Capacitor-B (chip)	0.01uF 50V K	チップセラ (B)			01
CN701	WC199800	Connector, FFC/FPC	52808 28P TE	F F C / F P C コネクタ			02
CN801	VI879000	Cable Holder	12P TE 51048	ケーブルホルダー			01
D101	VT332900	Diode	1SS355 TE-17	ダイオード			01
-104	VT332900	Diode	1SS355 TE-17	ダイオード			01
D105	VS597600	Diode (chip)	RB160L-40 TE25	チップダイオード			01
D201	VT332900	Diode	1SS355 TE-17	ダイオード			01
-204	VT332900	Diode	1SS355 TE-17	ダイオード			01
D205	VS597600	Diode (chip)	RB160L-40 TE25	チップダイオード			01
D301	VT332900	Diode	1SS355 TE-17	ダイオード			01
-304	VT332900	Diode	1SS355 TE-17	ダイオード			01
D305	VS597600	Diode (chip)	RB160L-40 TE25	チップダイオード			01
D509	VS597600	Diode (chip)	RB160L-40 TE25	チップダイオード			01
D801	VS597600	Diode (chip)	RB160L-40 TE25	チップダイオード			01
-805	VS597600	Diode (chip)	RB160L-40 TE25	チップダイオード			01
D806	VS201100	Diode (chip)	D1F60 1A 600V	チップダイオード			01
D807	VT332900	Diode	1SS355 TE-17	ダイオード			01
DA801	VD303900	Diode Array	1SS226(TE85R,F)	ダイオードアレイ			01
EM101	VI243100	LC Filter	DSS6NB32A271Q93A	L C フィルター			01
-104	VI243100	LC Filter	DSS6NB32A271Q93A	L C フィルター			01
EM201	VI243100	LC Filter	DSS6NB32A271Q93A	L C フィルター			01
-204	VI243100	LC Filter	DSS6NB32A271Q93A	L C フィルター			01
EM301	VI243100	LC Filter	DSS6NB32A271Q93A	L C フィルター			01
-304	VI243100	LC Filter	DSS6NB32A271Q93A	L C フィルター			01
EM401	VI243100	LC Filter	DSS6NB32A271Q93A	L C フィルター			01
-404	VI243100	LC Filter	DSS6NB32A271Q93A	L C フィルター			01
EM801	WA093400	LC Filter	ZJSR5101-223TA-01	L C フィルター E M I			01

*: New Parts

RANK: Japan only

ANA

REF NO.	PART NO.	DESCRIPTION		部 品 名	REMARKS	QTY	RANK
-804	WA093400	LC Filter	ZJSR5101-223TA-01	L C フィルター E M I			01
EM806	WA093400	LC Filter	ZJSR5101-223TA-01	L C フィルター E M I			01
IC101	XW029A00	IC	AK4393VF-E2	I C	DAC		07
IC102	XJ598A00	IC	05UA 5V	I C	REGULATOR +5V		02
IC103	X7351A00	IC	UPC4570G2-E1-A	I C	OP AMP		01
IC104	X7351A00	IC	UPC4570G2-E1-A	I C	OP AMP		01
IC105	XP844A00	IC	NJM4556AL	I C	OP AMP		02
IC106	XP844A00	IC	NJM4556AL	I C	OP AMP		02
IC201	XW029A00	IC	AK4393VF-E2	I C	DAC		07
IC202	XJ598A00	IC	05UA 5V	I C	REGULATOR +5V		02
IC203	X7351A00	IC	UPC4570G2-E1-A	I C	OP AMP		01
IC204	X7351A00	IC	UPC4570G2-E1-A	I C	OP AMP		01
IC205	XP844A00	IC	NJM4556AL	I C	OP AMP		02
IC206	XP844A00	IC	NJM4556AL	I C	OP AMP		02
IC301	XW029A00	IC	AK4393VF-E2	I C	DAC		07
IC302	XJ598A00	IC	05UA 5V	I C	REGULATOR +5V		02
IC303	X7351A00	IC	UPC4570G2-E1-A	I C	OP AMP		01
IC304	X7351A00	IC	UPC4570G2-E1-A	I C	OP AMP		01
IC305	XP844A00	IC	NJM4556AL	I C	OP AMP		02
IC306	XP844A00	IC	NJM4556AL	I C	OP AMP		02
IC401	X3505A00	IC	NJM2068M-D(TE2)	I C	OP AMP		02
IC402	X3505A00	IC	NJM2068M-D(TE2)	I C	OP AMP		02
IC403	X7351A00	IC	UPC4570G2-E1-A	I C	OP AMP		01
IC404	X7351A00	IC	UPC4570G2-E1-A	I C	OP AMP		01
* IC501	X5364B00	IC	AK5385BVF-E2	I C	A/D CONVERTER		
* IC601	X7363A00	IC	CS8416-CZZR	I C	CONVERTER		
IC701	X3292A00	IC	SN74LV244APWR	I C	BUFFER		01
IC702	X3693A00	IC	SN74LV245APWR	I C	BUS TRANSCEIVER		
IC703	X3292A00	IC	SN74LV244APWR	I C	BUFFER		01
IC704	XY363A00	IC	TC7WH04FU(TE12L,F)	I C	INVERTER		01
IC801	XJ603A00	IC	NJM78M15FA	I C	REGULATOR +15V		02
IC802	XG505A00	IC	NJM79M15FA -15V	I C	REGULATOR -15V		03
IC803	XJ598A00	IC	05UA 5V	I C	REGULATOR +5V		02
JK101	WA831300	Cannon Connector	XLRA-SUARI NC3MAH	キ ャ ノ ン コ ネ ク タ	OUTPUT 1		03
JK102	WA831300	Cannon Connector	XLRA-SUARI NC3MAH	キ ャ ノ ン コ ネ ク タ	OUTPUT 2		03
JK201	WA831300	Cannon Connector	XLRA-SUARI NC3MAH	キ ャ ノ ン コ ネ ク タ	OUTPUT 3		03
JK202	WA831300	Cannon Connector	XLRA-SUARI NC3MAH	キ ャ ノ ン コ ネ ク タ	OUTPUT 4		03
JK301	WA831300	Cannon Connector	XLRA-SUARI NC3MAH	キ ャ ノ ン コ ネ ク タ	OUTPUT 5		03
JK302	WA831300	Cannon Connector	XLRA-SUARI NC3MAH	キ ャ ノ ン コ ネ ク タ	OUTPUT 6		03
JK401	VT838100	Cannon Connector	JACK NC3FAH1	キ ャ ノ ン コ ネ ク タ	INPUT 1		04
JK402	VT838100	Cannon Connector	JACK NC3FAH1	キ ャ ノ ン コ ネ ク タ	INPUT 2		04
JK601	VT838100	Cannon Connector	JACK NC3FAH1	キ ャ ノ ン コ ネ ク タ	DIGITAL INPUT AES/EBU		04
L502	V8045100	Chip Inductance	BLM18BB121SN1D	チ ッ プ イ ン ダ ク タ			01
L601	VP246300	Noise Filter	ZJY51R5-2P-01	ノ イ ズ フ ィ ル タ			04
L602	V7930100	Pulse Trans	TBE06A015	パ ル ス ト ラ ン ス			05
L603	V8045100	Chip Inductance	BLM18BB121SN1D	チ ッ プ イ ン ダ ク タ			01
L604	V3232700	Chip Inductance	120U	チ ッ プ イ ン ダ ク タ			01
L605	V3232700	Chip Inductance	120U	チ ッ プ イ ン ダ ク タ			01
L606	V8045100	Chip Inductance	BLM18BB121SN1D	チ ッ プ イ ン ダ ク タ			01
L607	V3232700	Chip Inductance	120U	チ ッ プ イ ン ダ ク タ			01
L701	V8045100	Chip Inductance	BLM18BB121SN1D	チ ッ プ イ ン ダ ク タ			01
-725	V8045100	Chip Inductance	BLM18BB121SN1D	チ ッ プ イ ン ダ ク タ			01
R106	V1195300	Metal Film Resistor(chip)	1.5K 1/10W D	チ ッ プ 金 被 抵 抗			01
-109	V1195300	Metal Film Resistor(chip)	1.5K 1/10W D	チ ッ プ 金 被 抵 抗			01
R110	V1197000	Metal Film Resistor(chip)	6.8K 1/10W D	チ ッ プ 金 被 抵 抗			01
R111	V1197000	Metal Film Resistor(chip)	6.8K 1/10W D	チ ッ プ 金 被 抵 抗			01
R112	V1195300	Metal Film Resistor(chip)	1.5K 1/10W D	チ ッ プ 金 被 抵 抗			01
-115	V1195300	Metal Film Resistor(chip)	1.5K 1/10W D	チ ッ プ 金 被 抵 抗			01
R116	V1197000	Metal Film Resistor(chip)	6.8K 1/10W D	チ ッ プ 金 被 抵 抗			01
R117	V1197000	Metal Film Resistor(chip)	6.8K 1/10W D	チ ッ プ 金 被 抵 抗			01
R120	RD257820	Carbon Resistor (chip)	82K 1/10W J	チ ッ プ 抵 抗			01
R121	RD257820	Carbon Resistor (chip)	82K 1/10W J	チ ッ プ 抵 抗			01
R122	V1195500	Metal Film Resistor(chip)	1.8K 1/10W D	チ ッ プ 金 被 抵 抗			01
-127	V1195500	Metal Film Resistor(chip)	1.8K 1/10W D	チ ッ プ 金 被 抵 抗			01
R128	RD258750	Carbon Resistor (chip)	750K 1/10W J	チ ッ プ 抵 抗			01
R129	RD258750	Carbon Resistor (chip)	750K 1/10W J	チ ッ プ 抵 抗			01
R130	V1194900	Metal Film Resistor(chip)	1.0K 1/10W D	チ ッ プ 金 被 抵 抗			01
R131	V1194900	Metal Film Resistor(chip)	1.0K 1/10W D	チ ッ プ 金 被 抵 抗			01
R136	RD257820	Carbon Resistor (chip)	82K 1/10W J	チ ッ プ 抵 抗			01
R137	RD257820	Carbon Resistor (chip)	82K 1/10W J	チ ッ プ 抵 抗			01

*: New Parts

RANK: Japan only

ANA

REF NO.	PART NO.	DESCRIPTION		部	品	名	REMARKS	QTY	RANK
R310	VI197000	Metal Film Resistor(chip)	6.8K 1/10W D	チ	ッ	ブ	金被抵抗		01
R311	VI197000	Metal Film Resistor(chip)	6.8K 1/10W D	チ	ッ	ブ	金被抵抗		01
R312	VI195300	Metal Film Resistor(chip)	1.5K 1/10W D	チ	ッ	ブ	金被抵抗		01
-315	VI195300	Metal Film Resistor(chip)	1.5K 1/10W D	チ	ッ	ブ	金被抵抗		01
R316	VI197000	Metal Film Resistor(chip)	6.8K 1/10W D	チ	ッ	ブ	金被抵抗		01
R317	VI197000	Metal Film Resistor(chip)	6.8K 1/10W D	チ	ッ	ブ	金被抵抗		01
R320	RD257820	Carbon Resistor (chip)	82K 1/10W J	チ	ッ	ブ	抵抗		01
R321	RD257820	Carbon Resistor (chip)	82K 1/10W J	チ	ッ	ブ	抵抗		01
R322	VI195500	Metal Film Resistor(chip)	1.8K 1/10W D	チ	ッ	ブ	金被抵抗		01
-327	VI195500	Metal Film Resistor(chip)	1.8K 1/10W D	チ	ッ	ブ	金被抵抗		01
R328	RD258750	Carbon Resistor (chip)	750K 1/10W J	チ	ッ	ブ	抵抗		01
R329	RD258750	Carbon Resistor (chip)	750K 1/10W J	チ	ッ	ブ	抵抗		01
R330	VI194900	Metal Film Resistor(chip)	1.0K 1/10W D	チ	ッ	ブ	金被抵抗		01
R331	VI194900	Metal Film Resistor(chip)	1.0K 1/10W D	チ	ッ	ブ	金被抵抗		01
R336	RD257820	Carbon Resistor (chip)	82K 1/10W J	チ	ッ	ブ	抵抗		01
R337	RD257820	Carbon Resistor (chip)	82K 1/10W J	チ	ッ	ブ	抵抗		01
R338	VI197400	Metal Film Resistor (chip)	10K 1/10W D	チ	ッ	ブ	金被抵抗		01
-341	VI197400	Metal Film Resistor (chip)	10K 1/10W D	チ	ッ	ブ	金被抵抗		01
R342	VI197500	Metal Film Resistor(chip)	11K 1/10W D	チ	ッ	ブ	金被抵抗		01
R343	VI197500	Metal Film Resistor(chip)	11K 1/10W D	チ	ッ	ブ	金被抵抗		01
R344	VI192300	Metal Film Resistor(chip)	82 1/10W D	チ	ッ	ブ	金被抵抗		01
R345	VI192300	Metal Film Resistor(chip)	82 1/10W D	チ	ッ	ブ	金被抵抗		01
R346	VI197400	Metal Film Resistor (chip)	10K 1/10W D	チ	ッ	ブ	金被抵抗		01
R347	VI197400	Metal Film Resistor (chip)	10K 1/10W D	チ	ッ	ブ	金被抵抗		01
R348	VI198000	Metal Film Resistor(chip)	18K 1/10W D	チ	ッ	ブ	金被抵抗		01
R349	VI198000	Metal Film Resistor(chip)	18K 1/10W D	チ	ッ	ブ	金被抵抗		01
R350	VI198100	Metal Film Resistor(chip)	20K 1/10W D	チ	ッ	ブ	金被抵抗		01
R351	VI198100	Metal Film Resistor(chip)	20K 1/10W D	チ	ッ	ブ	金被抵抗		01
R352	VI198000	Metal Film Resistor(chip)	18K 1/10W D	チ	ッ	ブ	金被抵抗		01
R353	VI198000	Metal Film Resistor(chip)	18K 1/10W D	チ	ッ	ブ	金被抵抗		01
R354	VI198100	Metal Film Resistor(chip)	20K 1/10W D	チ	ッ	ブ	金被抵抗		01
R355	VI198100	Metal Film Resistor(chip)	20K 1/10W D	チ	ッ	ブ	金被抵抗		01
R356	RD254750	Carbon Resistor (chip)	75 1/10W J	チ	ッ	ブ	抵抗		01
-359	RD254750	Carbon Resistor (chip)	75 1/10W J	チ	ッ	ブ	抵抗		01
R364	RD257680	Carbon Resistor (chip)	68K 1/10W J	チ	ッ	ブ	抵抗		01
-367	RD257680	Carbon Resistor (chip)	68K 1/10W J	チ	ッ	ブ	抵抗		01
R368	RD256910	Carbon Resistor (chip)	9.1K 1/10W J	チ	ッ	ブ	抵抗		01
-371	RD256910	Carbon Resistor (chip)	9.1K 1/10W J	チ	ッ	ブ	抵抗		01
R372	RD357100	Carbon Resistor (chip)	10K 1/16W J	チ	ッ	ブ	抵抗		01
R373	RD354820	Carbon Resistor (chip)	82 1/16W J	チ	ッ	ブ	抵抗		01
-377	RD354820	Carbon Resistor (chip)	82 1/16W J	チ	ッ	ブ	抵抗		01
R401	VI191500	Metal Film Resistor(chip)	39 1/10W D	チ	ッ	ブ	金被抵抗		01
-404	VI191500	Metal Film Resistor(chip)	39 1/10W D	チ	ッ	ブ	金被抵抗		01
R405	VI198000	Metal Film Resistor(chip)	18K 1/10W D	チ	ッ	ブ	金被抵抗		01
R406	VI198000	Metal Film Resistor(chip)	18K 1/10W D	チ	ッ	ブ	金被抵抗		01
R407	VI199600	Metal Film Resistor(chip)	82K 1/10W D	チ	ッ	ブ	金被抵抗		01
-410	VI199600	Metal Film Resistor(chip)	82K 1/10W D	チ	ッ	ブ	金被抵抗		01
R411	VI198000	Metal Film Resistor(chip)	18K 1/10W D	チ	ッ	ブ	金被抵抗		01
-414	VI198000	Metal Film Resistor(chip)	18K 1/10W D	チ	ッ	ブ	金被抵抗		01
R415	VI197500	Metal Film Resistor(chip)	11K 1/10W D	チ	ッ	ブ	金被抵抗		01
-418	VI197500	Metal Film Resistor(chip)	11K 1/10W D	チ	ッ	ブ	金被抵抗		01
R419	RD357220	Carbon Resistor (chip)	22K 1/16W J	チ	ッ	ブ	抵抗		01
R420	RD357220	Carbon Resistor (chip)	22K 1/16W J	チ	ッ	ブ	抵抗		01
R421	RD350000	Carbon Resistor (chip)	0 1/16W J	チ	ッ	ブ	抵抗		01
R429	RD357220	Carbon Resistor (chip)	22K 1/16W J	チ	ッ	ブ	抵抗		01
R430	RD357220	Carbon Resistor (chip)	22K 1/16W J	チ	ッ	ブ	抵抗		01
R431	RD356100	Carbon Resistor (chip)	1.0K 1/16W J	チ	ッ	ブ	抵抗		01
R432	RD356100	Carbon Resistor (chip)	1.0K 1/16W J	チ	ッ	ブ	抵抗		01
R437	RD250000	Carbon Resistor (chip)	0.0 1/10W J	チ	ッ	ブ	抵抗		01
R438	RD250000	Carbon Resistor (chip)	0.0 1/10W J	チ	ッ	ブ	抵抗		01
R439	VI198000	Metal Film Resistor(chip)	18K 1/10W D	チ	ッ	ブ	金被抵抗		01
R440	VI198000	Metal Film Resistor(chip)	18K 1/10W D	チ	ッ	ブ	金被抵抗		01
R441	VI195800	Metal Film Resistor(chip)	2.4K 1/10W D	チ	ッ	ブ	金被抵抗		01
-444	VI195800	Metal Film Resistor(chip)	2.4K 1/10W D	チ	ッ	ブ	金被抵抗		01
R445	VI196600	Metal Film Resistor(chip)	4.7K 1/10W D	チ	ッ	ブ	金被抵抗		01
R446	VI196600	Metal Film Resistor(chip)	4.7K 1/10W D	チ	ッ	ブ	金被抵抗		01
R447	VI195800	Metal Film Resistor(chip)	2.4K 1/10W D	チ	ッ	ブ	金被抵抗		01
R448	VI195800	Metal Film Resistor(chip)	2.4K 1/10W D	チ	ッ	ブ	金被抵抗		01
R449	VI196600	Metal Film Resistor(chip)	4.7K 1/10W D	チ	ッ	ブ	金被抵抗		01
R450	VI196600	Metal Film Resistor(chip)	4.7K 1/10W D	チ	ッ	ブ	金被抵抗		01

*: New Parts

RANK: Japan only

ANA

REF NO.	PART NO.	DESCRIPTION		部	品	名	REMARKS	QTY	RANK
R451	VI192200	Metal Film Resistor(chip)	75 1/10W D	チ	ッ	ブ	金被抵抗		01
-454	VI192200	Metal Film Resistor(chip)	75 1/10W D	チ	ッ	ブ	金被抵抗		01
R503	RD350000	Carbon Resistor (chip)	0 1/16W J	チ	ッ	ブ	抵抗		01
R504	RD350000	Carbon Resistor (chip)	0 1/16W J	チ	ッ	ブ	抵抗		01
R508	RD250000	Carbon Resistor (chip)	0.0 1/10W J	チ	ッ	ブ	抵抗		01
R511	RD250000	Carbon Resistor (chip)	0.0 1/10W J	チ	ッ	ブ	抵抗		01
R512	RD355150	Carbon Resistor (chip)	150 1/16W J	チ	ッ	ブ	抵抗		01
R515	RD357220	Carbon Resistor (chip)	22K 1/16W J	チ	ッ	ブ	抵抗		01
R516	RD150000	Carbon Resistor (chip)	0 1/4W J	チ	ッ	ブ	抵抗		01
R601	RD355110	Carbon Resistor (chip)	110 1/16W J	チ	ッ	ブ	抵抗		01
R603	RD350000	Carbon Resistor (chip)	0 1/16W J	チ	ッ	ブ	抵抗		01
R604	RD357220	Carbon Resistor (chip)	22K 1/16W J	チ	ッ	ブ	抵抗		01
R605	RD357220	Carbon Resistor (chip)	22K 1/16W J	チ	ッ	ブ	抵抗		01
R606	VI194900	Metal Film Resistor(chip)	1.0K 1/10W D	チ	ッ	ブ	金被抵抗		01
R607	RD357470	Carbon Resistor (chip)	47K 1/16W J	チ	ッ	ブ	抵抗		01
R608	RD357220	Carbon Resistor (chip)	22K 1/16W J	チ	ッ	ブ	抵抗		01
R611	RD354820	Carbon Resistor (chip)	82 1/16W J	チ	ッ	ブ	抵抗		01
R613	RD354820	Carbon Resistor (chip)	82 1/16W J	チ	ッ	ブ	抵抗		01
R614	RD357470	Carbon Resistor (chip)	47K 1/16W J	チ	ッ	ブ	抵抗		01
R615	RD354820	Carbon Resistor (chip)	82 1/16W J	チ	ッ	ブ	抵抗		01
R616	RD354820	Carbon Resistor (chip)	82 1/16W J	チ	ッ	ブ	抵抗		01
R618	RD354820	Carbon Resistor (chip)	82 1/16W J	チ	ッ	ブ	抵抗		01
R701	RD354470	Carbon Resistor (chip)	47 1/16W J	チ	ッ	ブ	抵抗		01
R702	RD355220	Carbon Resistor (chip)	220 1/16W J	チ	ッ	ブ	抵抗		01
R703	RD354470	Carbon Resistor (chip)	47 1/16W J	チ	ッ	ブ	抵抗		01
R704	RD355220	Carbon Resistor (chip)	220 1/16W J	チ	ッ	ブ	抵抗		01
R705	RD354470	Carbon Resistor (chip)	47 1/16W J	チ	ッ	ブ	抵抗		01
R706	RD355220	Carbon Resistor (chip)	220 1/16W J	チ	ッ	ブ	抵抗		01
R707	RD354470	Carbon Resistor (chip)	47 1/16W J	チ	ッ	ブ	抵抗		01
R708	RD355220	Carbon Resistor (chip)	220 1/16W J	チ	ッ	ブ	抵抗		01
R709	RD354820	Carbon Resistor (chip)	82 1/16W J	チ	ッ	ブ	抵抗		01
-714	RD354820	Carbon Resistor (chip)	82 1/16W J	チ	ッ	ブ	抵抗		01
R715	RD354470	Carbon Resistor (chip)	47 1/16W J	チ	ッ	ブ	抵抗		01
R716	RD354820	Carbon Resistor (chip)	82 1/16W J	チ	ッ	ブ	抵抗		01
R717	RD354820	Carbon Resistor (chip)	82 1/16W J	チ	ッ	ブ	抵抗		01
R718	RD354470	Carbon Resistor (chip)	47 1/16W J	チ	ッ	ブ	抵抗		01
R719	RD354820	Carbon Resistor (chip)	82 1/16W J	チ	ッ	ブ	抵抗		01
R720	RD357220	Carbon Resistor (chip)	22K 1/16W J	チ	ッ	ブ	抵抗		01
R734	RD355150	Carbon Resistor (chip)	150 1/16W J	チ	ッ	ブ	抵抗		01
R735	RD354820	Carbon Resistor (chip)	82 1/16W J	チ	ッ	ブ	抵抗		01
R736	RD250000	Carbon Resistor (chip)	0.0 1/10W J	チ	ッ	ブ	抵抗		01
R737	RD354820	Carbon Resistor (chip)	82 1/16W J	チ	ッ	ブ	抵抗		01
R739	RD354820	Carbon Resistor (chip)	82 1/16W J	チ	ッ	ブ	抵抗		01
R741	RD354820	Carbon Resistor (chip)	82 1/16W J	チ	ッ	ブ	抵抗		01
R743	RD354820	Carbon Resistor (chip)	82 1/16W J	チ	ッ	ブ	抵抗		01
R745	RD250000	Carbon Resistor (chip)	0.0 1/10W J	チ	ッ	ブ	抵抗		01
R746	RD250000	Carbon Resistor (chip)	0.0 1/10W J	チ	ッ	ブ	抵抗		01
R749	RD354820	Carbon Resistor (chip)	82 1/16W J	チ	ッ	ブ	抵抗		01
R750	RD354820	Carbon Resistor (chip)	82 1/16W J	チ	ッ	ブ	抵抗		01
R754	RD250000	Carbon Resistor (chip)	0.0 1/10W J	チ	ッ	ブ	抵抗		01
R756	RD355220	Carbon Resistor (chip)	220 1/16W J	チ	ッ	ブ	抵抗		01
R758	RD355220	Carbon Resistor (chip)	220 1/16W J	チ	ッ	ブ	抵抗		01
R760	RD355220	Carbon Resistor (chip)	220 1/16W J	チ	ッ	ブ	抵抗		01
R762	RD355220	Carbon Resistor (chip)	220 1/16W J	チ	ッ	ブ	抵抗		01
R763	RD354820	Carbon Resistor (chip)	82 1/16W J	チ	ッ	ブ	抵抗		01
-767	RD354820	Carbon Resistor (chip)	82 1/16W J	チ	ッ	ブ	抵抗		01
R768	RD355120	Carbon Resistor (chip)	120 1/16W J	チ	ッ	ブ	抵抗		01
-770	RD355120	Carbon Resistor (chip)	120 1/16W J	チ	ッ	ブ	抵抗		01
R773	RD355150	Carbon Resistor (chip)	150 1/16W J	チ	ッ	ブ	抵抗		01
-777	RD355150	Carbon Resistor (chip)	150 1/16W J	チ	ッ	ブ	抵抗		01
R780	RD357220	Carbon Resistor (chip)	22K 1/16W J	チ	ッ	ブ	抵抗		01
R813	VI195700	Metal Film Resistor (chip)	2.2K 1/10W D	チ	ッ	ブ	金被抵抗		01
R814	VI195700	Metal Film Resistor (chip)	2.2K 1/10W D	チ	ッ	ブ	金被抵抗		01
R815	VI192500	Metal Film Resistor (chip)	100 1/10W D	チ	ッ	ブ	金被抵抗		01
R816	VI192500	Metal Film Resistor (chip)	100 1/10W D	チ	ッ	ブ	金被抵抗		01
R817	RD253470	Carbon Resistor (chip)	4.7 1/10W J	チ	ッ	ブ	抵抗		01
R818	RD253470	Carbon Resistor (chip)	4.7 1/10W J	チ	ッ	ブ	抵抗		01
R820	RD250000	Carbon Resistor (chip)	0.0 1/10W J	チ	ッ	ブ	抵抗		01
R821	RD357240	Carbon Resistor (chip)	24K 1/16W J	チ	ッ	ブ	抵抗		01
R822	RD257150	Carbon Resistor (chip)	15K 1/10W J	チ	ッ	ブ	抵抗		01

*: New Parts

RANK: Japan only

ANA & CPU

REF NO.	PART NO.	DESCRIPTION		部 品 名	REMARKS	QTY	RANK
R823	VI199600	Metal Film Resistor(chip)	82K 1/10W D	チップ金被抵抗			01
R824	RD356390	Carbon Resistor (chip)	3.9K 1/16W J	チップ抵抗			01
R825	RD357240	Carbon Resistor (chip)	24K 1/16W J	チップ抵抗			01
RA701	RE047220	Resistor Array	22Kx4	抵抗アレイ			01
-703	RE047220	Resistor Array	22Kx4	抵抗アレイ			01
RA704	RE044470	Resistor Array	47x4	抵抗アレイ			01
RA705	RE044470	Resistor Array	47x4	抵抗アレイ			01
TR101	V2993500	Transistor	2SD19790SL/TL	トランジスタ			01
-104	V2993500	Transistor	2SD19790SL/TL	トランジスタ			01
TR201	V2993500	Transistor	2SD19790SL/TL	トランジスタ			01
-204	V2993500	Transistor	2SD19790SL/TL	トランジスタ			01
TR301	V2993500	Transistor	2SD19790SL/TL	トランジスタ			01
-304	V2993500	Transistor	2SD19790SL/TL	トランジスタ			01
TR801	VJ927100	Transistor	2SC2712-Y(TE85R)	トランジスタ			01
TR802	VJ927200	Transistor	2SA1162 O,Y	トランジスタ			01
TR803	VV655400	Digital Transistor	DTC114EKA	デジタルトランジスタ			01
TR804	VJ927200	Transistor	2SA1162 O,Y	トランジスタ			01
TR805	VJ927200	Transistor	2SA1162 O,Y	トランジスタ			01
W801	--	Jumper Wire	FVP=2.0C26SB1	2678ジャンパーワイヤー	(WB24620)		
*	WG301500	Circuit Board	CPU	CPUシート	(X6028C0)		
	--	PA COMMON ALL		MACアドレスラベル	(WH26440)		
BT001	VN103600	Battery Holder	HL32-A2	バッテリーホルダー			03
C001	US145100	Ceramic Capacitor-F (chip)	0.1uF 25V Z	チップセラ(F)			01
C002	UF018100	Electrolytic Cap. (chip)	100uF 6.3V	チップケミコン			01
C002	UF038100	Electrolytic Cap. (chip)	100uF 16V	チップケミコン			01
C005	US145100	Ceramic Capacitor-F (chip)	0.1uF 25V Z	チップセラ(F)			01
C006	US063100	Ceramic Capacitor-B (chip)	1000pF 50V K	チップセラ(B)			01
C007	US063100	Ceramic Capacitor-B (chip)	1000pF 50V K	チップセラ(B)			01
C008	US145100	Ceramic Capacitor-F (chip)	0.1uF 25V Z	チップセラ(F)			01
C009	UF017470	Electrolytic Cap. (chip)	47uF 6.3V	チップケミコン			01
C010	US145100	Ceramic Capacitor-F (chip)	0.1uF 25V Z	チップセラ(F)			01
C011	RD357470	Carbon Resistor (chip)	47K 1/16W J	チップ抵抗			01
-014	RD357470	Carbon Resistor (chip)	47K 1/16W J	チップ抵抗			01
C015	US063100	Ceramic Capacitor-B (chip)	1000pF 50V K	チップセラ(B)			01
C016	RD357470	Carbon Resistor (chip)	47K 1/16W J	チップ抵抗			01
C017	US145100	Ceramic Capacitor-F (chip)	0.1uF 25V Z	チップセラ(F)			01
C018	US145100	Ceramic Capacitor-F (chip)	0.1uF 25V Z	チップセラ(F)			01
C019	UF046470	Electrolytic Cap. (chip)	4.7uF 25V	チップケミコン			01
C020	US145100	Ceramic Capacitor-F (chip)	0.1uF 25V Z	チップセラ(F)			01
-024	US145100	Ceramic Capacitor-F (chip)	0.1uF 25V Z	チップセラ(F)			01
C025	UF018100	Electrolytic Cap. (chip)	100uF 6.3V	チップケミコン			01
C025	UF038100	Electrolytic Cap. (chip)	100uF 16V	チップケミコン			01
C026	V7856200	Ceramic Capacitor-B(chip)	1uF 10V K	チップセラB			
C027	US062470	Ceramic Capacitor-SL(chip)	470pF 50V J	チップセラ(SL)			01
C028	US062470	Ceramic Capacitor-SL(chip)	470pF 50V J	チップセラ(SL)			01
C029	V7856200	Ceramic Capacitor-B(chip)	1uF 10V K	チップセラB			
C030	US145100	Ceramic Capacitor-F (chip)	0.1uF 25V Z	チップセラ(F)			01
-049	US145100	Ceramic Capacitor-F (chip)	0.1uF 25V Z	チップセラ(F)			01
C050	UF017470	Electrolytic Cap. (chip)	47uF 6.3V	チップケミコン			01
-053	UF017470	Electrolytic Cap. (chip)	47uF 6.3V	チップケミコン			01
C054	US145100	Ceramic Capacitor-F (chip)	0.1uF 25V Z	チップセラ(F)			01
-060	US145100	Ceramic Capacitor-F (chip)	0.1uF 25V Z	チップセラ(F)			01
C061	UF017470	Electrolytic Cap. (chip)	47uF 6.3V	チップケミコン			01
C062	US145100	Ceramic Capacitor-F (chip)	0.1uF 25V Z	チップセラ(F)			01
-068	US145100	Ceramic Capacitor-F (chip)	0.1uF 25V Z	チップセラ(F)			01
C069	UF017470	Electrolytic Cap. (chip)	47uF 6.3V	チップケミコン			01
C071	US145100	Ceramic Capacitor-F (chip)	0.1uF 25V Z	チップセラ(F)			01
-075	US145100	Ceramic Capacitor-F (chip)	0.1uF 25V Z	チップセラ(F)			01
C083	US145100	Ceramic Capacitor-F (chip)	0.1uF 25V Z	チップセラ(F)			01
-089	US145100	Ceramic Capacitor-F (chip)	0.1uF 25V Z	チップセラ(F)			01
C090	UF118220	Electrolytic Cap. (chip)	220uF 6.3V	チップケミコン			01
C101	US145100	Ceramic Capacitor-F (chip)	0.1uF 25V Z	チップセラ(F)			01
C102	US145100	Ceramic Capacitor-F (chip)	0.1uF 25V Z	チップセラ(F)			01
C901	US145100	Ceramic Capacitor-F (chip)	0.1uF 25V Z	チップセラ(F)			01
-909	US145100	Ceramic Capacitor-F (chip)	0.1uF 25V Z	チップセラ(F)			01
CN007	WF025100	Connector	180P TE 53481	基板用コネクタ			07
D001	V2376600	Schottky Diode	RB500V-40	ショットキダイオード			01
EM001	VZ581100	Coil (chip)	31PT222Z1E9L TP	チップエミフィル			01
IC001	X3180A00	IC	PQ070XZ01ZPH	I C	REGULATOR		03

*: New Parts

RANK: Japan only

CPU

REF NO.	PART NO.	DESCRIPTION	部	品	名	REMARKS	QTY	RANK			
IC002	X2890B00	IC	HD6417727F160CV		C	CPU		15			
IC003	X0296A00	IC	74VHC245MTCX_NF40		C	BUS TRANSCEIVER		02			
IC004	X5665A00	IC	M12L64164-7TG		C	SDRAM 64M		09			
IC004	XZ414C00	IC	W9864G6EH-7		C			07			
IC005	X5665A00	IC	M12L64164-7TG		C	SDRAM 64M		09			
IC005	XZ414C00	IC	W9864G6EH-7		C			07			
IC006	--	IC	S29JL032H70TFI020		C	FLASH MEMORY 32M (X7729A0)					
IC007	--	IC	S29JL032H70TFI020		C	FLASH MEMORY 32M (X7728A0)					
IC008	X4137A00	IC	SN74AHC1G04DCKR		C	INVERTER		01			
*IC009	X7452A00	IC	BS616LV2018ECP70 S		C	SRAM 128K					
IC010	XR532A00	IC	NJM2904V(TE1)		C	OP AMP		02			
IC011	X2163A00	IC	M62023FP-DF0J		C	SYSTEM RESET		03			
IC012	X3848A00	IC	S-80130ANMC-JCP-T2		C	SYSTEM RESET		01			
IC014	X7109A00	IC	LC4032V-75TN48C		C	CPLD		05			
IC015	X3833A00	IC	SN74AHC1G08DCKR AN		C	AND		01			
IC020	X2377A00	IC	SN74LV21APWR		C	AND		01			
IC021	XZ287A00	IC	SN74LVC245APWR		C	BUS TRANSCEIVER		02			
-026	XZ287A00	IC	SN74LVC245APWR		C	BUS TRANSCEIVER		02			
IC032	XY806A00	IC	TC7WH14FU		C	INVERTER		02			
L001	V3232700	Chip Inductance	120U	チ	ッ	ブ	イン	ダ	ク	タ	01
L002	V3232700	Chip Inductance	120U	チ	ッ	ブ	イン	ダ	ク	タ	01
R001	RD357470	Carbon Resistor (chip)	47K 1/16W J	チ	ッ	ブ	抵	抗			01
-004	RD357470	Carbon Resistor (chip)	47K 1/16W J	チ	ッ	ブ	抵	抗			01
R009	RD355100	Carbon Resistor (chip)	100 1/16W J	チ	ッ	ブ	抵	抗			01
R013	RD354470	Carbon Resistor (chip)	47 1/16W J	チ	ッ	ブ	抵	抗			01
-017	RD354470	Carbon Resistor (chip)	47 1/16W J	チ	ッ	ブ	抵	抗			01
R018	RF455510	Carbon Resistor (chip)	510 1/16W D	チ	ッ	ブ	抵	抗			01
R019	RF456100	Carbon Resistor (chip)	1.0K 1/16W D	チ	ッ	ブ	抵	抗			01
R020	RD354220	Carbon Resistor (chip)	22 1/16W J	チ	ッ	ブ	抵	抗			01
R021	RD354220	Carbon Resistor (chip)	22 1/16W J	チ	ッ	ブ	抵	抗			01
R022	RD354470	Carbon Resistor (chip)	47 1/16W J	チ	ッ	ブ	抵	抗			01
R023	RD354470	Carbon Resistor (chip)	47 1/16W J	チ	ッ	ブ	抵	抗			01
R024	RD354220	Carbon Resistor (chip)	22 1/16W J	チ	ッ	ブ	抵	抗			01
R025	RD357470	Carbon Resistor (chip)	47K 1/16W J	チ	ッ	ブ	抵	抗			01
R026	RD354220	Carbon Resistor (chip)	22 1/16W J	チ	ッ	ブ	抵	抗			01
-030	RD354220	Carbon Resistor (chip)	22 1/16W J	チ	ッ	ブ	抵	抗			01
R031	RD354470	Carbon Resistor (chip)	47 1/16W J	チ	ッ	ブ	抵	抗			01
-033	RD354470	Carbon Resistor (chip)	47 1/16W J	チ	ッ	ブ	抵	抗			01
R035	RF458100	Carbon Resistor (chip)	100K 1/16W D	チ	ッ	ブ	抵	抗			01
R036	RF458100	Carbon Resistor (chip)	100K 1/16W D	チ	ッ	ブ	抵	抗			01
R037	RD357100	Carbon Resistor (chip)	10K 1/16W J	チ	ッ	ブ	抵	抗			01
R042	RD356100	Carbon Resistor (chip)	1.0K 1/16W J	チ	ッ	ブ	抵	抗			01
R045	RD354680	Carbon Resistor (chip)	68 1/16W J	チ	ッ	ブ	抵	抗			01
R046	RD354680	Carbon Resistor (chip)	68 1/16W J	チ	ッ	ブ	抵	抗			01
R048	RD354680	Carbon Resistor (chip)	68 1/16W J	チ	ッ	ブ	抵	抗			01
R049	RD357470	Carbon Resistor (chip)	47K 1/16W J	チ	ッ	ブ	抵	抗			01
R050	RD356470	Carbon Resistor (chip)	4.7K 1/16W J	チ	ッ	ブ	抵	抗			01
R051	RD356470	Carbon Resistor (chip)	4.7K 1/16W J	チ	ッ	ブ	抵	抗			01
R052	RD356220	Carbon Resistor (chip)	2.2K 1/16W J	チ	ッ	ブ	抵	抗			01
R054	RD357100	Carbon Resistor (chip)	10K 1/16W J	チ	ッ	ブ	抵	抗			01
R055	RD357100	Carbon Resistor (chip)	10K 1/16W J	チ	ッ	ブ	抵	抗			01
R073	RD350000	Carbon Resistor (chip)	0 1/16W J	チ	ッ	ブ	抵	抗			01
R077	RD355100	Carbon Resistor (chip)	100 1/16W J	チ	ッ	ブ	抵	抗			01
R078	RD356100	Carbon Resistor (chip)	1.0K 1/16W J	チ	ッ	ブ	抵	抗			01
R080	RD357470	Carbon Resistor (chip)	47K 1/16W J	チ	ッ	ブ	抵	抗			01
R090	RD357470	Carbon Resistor (chip)	47K 1/16W J	チ	ッ	ブ	抵	抗			01
R093	RD350000	Carbon Resistor (chip)	0 1/16W J	チ	ッ	ブ	抵	抗			01
R098	RD357470	Carbon Resistor (chip)	47K 1/16W J	チ	ッ	ブ	抵	抗			01
R099	RD355470	Carbon Resistor (chip)	470 1/16W J	チ	ッ	ブ	抵	抗			01
R100	RD357100	Carbon Resistor (chip)	10K 1/16W J	チ	ッ	ブ	抵	抗			01
RA001	RE047470	Resistor Array	47Kx4	抵	抗	ア	レ	イ			01
-023	RE047470	Resistor Array	47Kx4	抵	抗	ア	レ	イ			01
RA024	RE044220	Resistor Array	22x4	抵	抗	ア	レ	イ			01
-027	RE044220	Resistor Array	22x4	抵	抗	ア	レ	イ			01
RA028	RE044470	Resistor Array	47x4	抵	抗	ア	レ	イ			01
-032	RE044470	Resistor Array	47x4	抵	抗	ア	レ	イ			01
RA033	RE044220	Resistor Array	22x4	抵	抗	ア	レ	イ			01
-040	RE044220	Resistor Array	22x4	抵	抗	ア	レ	イ			01
RA041	RE044470	Resistor Array	47x4	抵	抗	ア	レ	イ			01
RA042	RE044220	Resistor Array	22x4	抵	抗	ア	レ	イ			01

*: New Parts

RANK: Japan only

CPU & DSP

REF NO.	PART NO.	DESCRIPTION		部 品 名	REMARKS	QTY	RANK
-047	RE044220	Resistor Array	22x4	抵抗アレイ			01
RA048	RE044680	Resistor Array	68x4	抵抗アレイ			01
RA049	RE044220	Resistor Array	22x4	抵抗アレイ			01
RA050	RE044220	Resistor Array	22x4	抵抗アレイ			01
RA051	RE047470	Resistor Array	47Kx4	抵抗アレイ			01
RA052	RE047470	Resistor Array	47Kx4	抵抗アレイ			01
RA053	RE044220	Resistor Array	22x4	抵抗アレイ			01
RA054	RE044220	Resistor Array	22x4	抵抗アレイ			01
RA055	RE047470	Resistor Array	47Kx4	抵抗アレイ			01
RA056	RE047470	Resistor Array	47Kx4	抵抗アレイ			01
RA057	RE044470	Resistor Array	47x4	抵抗アレイ			01
-063	RE044470	Resistor Array	47x4	抵抗アレイ			01
TR001	V3033500	Digital Transistor	DTC143XKA TP	デジタルトランジスタ			01
X002	WF156600	Quartz Crystal Unit	64MHz SG-9001JC	水晶発振器			01
*	WG301700	Circuit Board	DSP	D S P シ ー ト	(X7296C0)		
C004	US145100	Ceramic Capacitor-F (chip)	0.1uF 25V Z	チップセラ (F)			01
-018	US145100	Ceramic Capacitor-F (chip)	0.1uF 25V Z	チップセラ (F)			01
C049	US145100	Ceramic Capacitor-F (chip)	0.1uF 25V Z	チップセラ (F)			01
-058	US145100	Ceramic Capacitor-F (chip)	0.1uF 25V Z	チップセラ (F)			01
C059	UF038100	Electrolytic Cap. (chip)	100uF 16V	チップケミコン			01
C060	US145100	Ceramic Capacitor-F (chip)	0.1uF 25V Z	チップセラ (F)			01
C061	US135330	Ceramic Capacitor-F(chip)	0.33uF 16V	チップセラ (F)			01
C062	US145100	Ceramic Capacitor-F (chip)	0.1uF 25V Z	チップセラ (F)			01
C063	US135330	Ceramic Capacitor-F(chip)	0.33uF 16V	チップセラ (F)			01
C064	US145100	Ceramic Capacitor-F (chip)	0.1uF 25V Z	チップセラ (F)			01
-069	US145100	Ceramic Capacitor-F (chip)	0.1uF 25V Z	チップセラ (F)			01
C071	US145100	Ceramic Capacitor-F (chip)	0.1uF 25V Z	チップセラ (F)			01
-082	US145100	Ceramic Capacitor-F (chip)	0.1uF 25V Z	チップセラ (F)			01
C085	US145100	Ceramic Capacitor-F (chip)	0.1uF 25V Z	チップセラ (F)			01
C095	US145100	Ceramic Capacitor-F (chip)	0.1uF 25V Z	チップセラ (F)			01
-097	US145100	Ceramic Capacitor-F (chip)	0.1uF 25V Z	チップセラ (F)			01
C099	US145100	Ceramic Capacitor-F (chip)	0.1uF 25V Z	チップセラ (F)			01
-101	US145100	Ceramic Capacitor-F (chip)	0.1uF 25V Z	チップセラ (F)			01
C150	US145100	Ceramic Capacitor-F (chip)	0.1uF 25V Z	チップセラ (F)			01
-155	US145100	Ceramic Capacitor-F (chip)	0.1uF 25V Z	チップセラ (F)			01
C156	UF038100	Electrolytic Cap. (chip)	100uF 16V	チップケミコン			01
C157	UF038100	Electrolytic Cap. (chip)	100uF 16V	チップケミコン			01
C158	US145100	Ceramic Capacitor-F (chip)	0.1uF 25V Z	チップセラ (F)			01
-178	US145100	Ceramic Capacitor-F (chip)	0.1uF 25V Z	チップセラ (F)			01
C179	UF038100	Electrolytic Cap. (chip)	100uF 16V	チップケミコン			01
C180	US145100	Ceramic Capacitor-F (chip)	0.1uF 25V Z	チップセラ (F)			01
-184	US145100	Ceramic Capacitor-F (chip)	0.1uF 25V Z	チップセラ (F)			01
C250	US145100	Ceramic Capacitor-F (chip)	0.1uF 25V Z	チップセラ (F)			01
-255	US145100	Ceramic Capacitor-F (chip)	0.1uF 25V Z	チップセラ (F)			01
C257	US145100	Ceramic Capacitor-F (chip)	0.1uF 25V Z	チップセラ (F)			01
-260	US145100	Ceramic Capacitor-F (chip)	0.1uF 25V Z	チップセラ (F)			01
C262	US145100	Ceramic Capacitor-F (chip)	0.1uF 25V Z	チップセラ (F)			01
-265	US145100	Ceramic Capacitor-F (chip)	0.1uF 25V Z	チップセラ (F)			01
C300	US145100	Ceramic Capacitor-F (chip)	0.1uF 25V Z	チップセラ (F)			01
C302	UF038100	Electrolytic Cap. (chip)	100uF 16V	チップケミコン			01
-304	UF038100	Electrolytic Cap. (chip)	100uF 16V	チップケミコン			01
C305	US145100	Ceramic Capacitor-F (chip)	0.1uF 25V Z	チップセラ (F)			01
-307	US145100	Ceramic Capacitor-F (chip)	0.1uF 25V Z	チップセラ (F)			01
C450	US145100	Ceramic Capacitor-F (chip)	0.1uF 25V Z	チップセラ (F)			01
C451	US145100	Ceramic Capacitor-F (chip)	0.1uF 25V Z	チップセラ (F)			01
C452	US061270	Ceramic Capacitor-F (chip)	27pF 50V J	チップセラ (F)			01
C453	US061120	Ceramic Capacitor-F (chip)	12pF 50V J	チップセラ (F)			01
C802	US145100	Ceramic Capacitor-F (chip)	0.1uF 25V Z	チップセラ (F)			01
C825	US145100	Ceramic Capacitor-F (chip)	0.1uF 25V Z	チップセラ (F)			01
-839	US145100	Ceramic Capacitor-F (chip)	0.1uF 25V Z	チップセラ (F)			01
C844	US145100	Ceramic Capacitor-F (chip)	0.1uF 25V Z	チップセラ (F)			01
C855	US145100	Ceramic Capacitor-F (chip)	0.1uF 25V Z	チップセラ (F)			01
C856	US145100	Ceramic Capacitor-F (chip)	0.1uF 25V Z	チップセラ (F)			01
C858	US145100	Ceramic Capacitor-F (chip)	0.1uF 25V Z	チップセラ (F)			01
C859	US145100	Ceramic Capacitor-F (chip)	0.1uF 25V Z	チップセラ (F)			01
C862	US145100	Ceramic Capacitor-F (chip)	0.1uF 25V Z	チップセラ (F)			01
C900	US064100	Ceramic Capacitor-F (chip)	0.01uF 50V B	チップセラ (B)			01
-903	US064100	Ceramic Capacitor-F (chip)	0.01uF 50V B	チップセラ (B)			01
CN001	WF025000	Connector	180P TE 52837	基板用コネクタ			08

*: New Parts

RANK: Japan only

DSP

REF NO.	PART NO.	DESCRIPTION		部 品 名	REMARKS	QTY	RANK
CN250	V9335000	Connector, FFC/FPC	21P TE 52808	F F C / F P C コネク			01
* CN270	WC199500	Connector, FFC/FPC	20P TE 52808	F F C / F P C コネク			
CN300	WC198800	FMN Connector	38P TE FMN	F M N コネクター			03
CN310	WD736900	Base Post Connector	PH 14P TE	ベース付ポスト			04
CN450	WC199800	Connector, FFC/FPC	52808 28P TE	F F C / F P C コネクタ			02
D150	VS597600	Diode (chip)	RB160L-40 TE25	チップダイオード			01
EM051	VZ581100	Coil (chip)	31PT222Z1E9L TP	チップ エミフィル			01
EM150	VZ581100	Coil (chip)	31PT222Z1E9L TP	チップ エミフィル			01
EM300	VZ581100	Coil (chip)	31PT222Z1E9L TP	チップ エミフィル			01
-303	VZ581100	Coil (chip)	31PT222Z1E9L TP	チップ エミフィル			01
IC003	X5965A00	IC	SN74LV04APWR	I C	INVERTER		01
IC004	X3847A00	IC	S-80142ANMC-JC3T2G	I C	SYSTEM RESET		01
IC005	X3693A00	IC	SN74LV245APWR	I C	BUS TRANSCEIVER		
-010	X3693A00	IC	SN74LV245APWR	I C	BUS TRANSCEIVER		
IC011	X3516A00	IC	SN74LV11APWR	I C	AND		01
IC012	X3693A00	IC	SN74LV245APWR	I C	BUS TRANSCEIVER		
-014	X3693A00	IC	SN74LV245APWR	I C	BUS TRANSCEIVER		
IC015	X5966A00	IC	SN74LV541APWRBUS B	I C	BUFFER/DRIVER		01
IC016	X2709A00	IC	SN74AHCT245PWR	I C	BUS TRANSCEIVER		02
IC017	X3693A00	IC	SN74LV245APWR	I C	BUS TRANSCEIVER		
IC018	X5965A00	IC	SN74LV04APWR	I C	INVERTER		01
IC050	X4460A00	IC	SN74LV00APWR	I C	NAND		01
IC051	X4463A00	IC	SN74LV08APWR	I C	AND		01
IC052	X3775A00	IC	S1L51252F32S200	I C	PLL2 GATE ARRAY		08
IC053	X5965A00	IC	SN74LV04APWR	I C	INVERTER		01
IC054	XW422A00	IC	M51953AFP	I C	SYSTEM RESET		01
IC056	X5534A00	IC	SN74LV74APWR	I C	D-TYPE FLIP-FLOP		01
IC059	X2709A00	IC	SN74AHCT245PWR	I C	BUS TRANSCEIVER		02
IC061	X3693A00	IC	SN74LV245APWR	I C	BUS TRANSCEIVER		
-064	X3693A00	IC	SN74LV245APWR	I C	BUS TRANSCEIVER		
IC150	X5693A00	IC	M12L16161A-7TG SDR	I C	SDRAM 16M		06
IC151	X5693A00	IC	M12L16161A-7TG SDR	I C	SDRAM 16M		06
IC152	X3292A00	IC	SN74LV244APWR	I C	BUFFER		01
IC153	XZ693B00	IC	YSS919B-HZ	I C	DSP7		15
IC154	X5193A00	IC	PQ025EZ01ZPH	I C	REGULATOR +2.5V		03
IC250	X2709A00	IC	SN74AHCT245PWR	I C	BUS TRANSCEIVER		02
IC251	X3096A00	IC	SN74LVCC4245APWR	I C	BUS TRANSCEIVER		
* IC252	X7285A00	IC	TC7SH00FU	I C	NAND		
IC253	X2709A00	IC	SN74AHCT245PWR	I C	BUS TRANSCEIVER		02
IC254	X2689A00	IC	HD74LV273ATELL D-FF	I C			01
-256	X2689A00	IC	HD74LV273ATELL D-FF	I C	D-TYPE FLIP-FLOP		01
IC254	X5074A00	IC	SN74LV273APWR D-FF	I C			01
-256	X5074A00	IC	SN74LV273APWR D-FF	I C			01
IC257	X5965A00	IC	SN74LV04APWR	I C	INVERTER		01
IC258	X2709A00	IC	SN74AHCT245PWR	I C	BUS TRANSCEIVER		02
* IC260	XZ347A00	IC	SN74AHCT32PW OR QU	I C	OR		
IC261	X3824A00	IC	SN74AHCT08PWR	I C	AND		01
IC300	X3292A00	IC	SN74LV244APWR	I C	BUFFER		01
IC450	X3292A00	IC	SN74LV244APWR	I C	BUFFER		01
IC451	X3292A00	IC	SN74LV244APWR	I C	BUFFER		01
R001	RD350000	Carbon Resistor (chip)	0 1/16W J	チ ッ プ 抵 抗			01
R004	RD354220	Carbon Resistor (chip)	22 1/16W J	チ ッ プ 抵 抗			01
-006	RD354220	Carbon Resistor (chip)	22 1/16W J	チ ッ プ 抵 抗			01
R010	RD354220	Carbon Resistor (chip)	22 1/16W J	チ ッ プ 抵 抗			01
R011	RD354220	Carbon Resistor (chip)	22 1/16W J	チ ッ プ 抵 抗			01
R012	RD350000	Carbon Resistor (chip)	0 1/16W J	チ ッ プ 抵 抗			01
R013	RD354470	Carbon Resistor (chip)	47 1/16W J	チ ッ プ 抵 抗			01
R014	RD354220	Carbon Resistor (chip)	22 1/16W J	チ ッ プ 抵 抗			01
R015	RD354220	Carbon Resistor (chip)	22 1/16W J	チ ッ プ 抵 抗			01
R016	RD350000	Carbon Resistor (chip)	0 1/16W J	チ ッ プ 抵 抗			01
R017	RD354220	Carbon Resistor (chip)	22 1/16W J	チ ッ プ 抵 抗			01
R018	RD354220	Carbon Resistor (chip)	22 1/16W J	チ ッ プ 抵 抗			01
R019	RD350000	Carbon Resistor (chip)	0 1/16W J	チ ッ プ 抵 抗			01
R020	RD357100	Carbon Resistor (chip)	10K 1/16W J	チ ッ プ 抵 抗			01
R021	RD357100	Carbon Resistor (chip)	10K 1/16W J	チ ッ プ 抵 抗			01
R023	RD354220	Carbon Resistor (chip)	22 1/16W J	チ ッ プ 抵 抗			01
R025	RD350000	Carbon Resistor (chip)	0 1/16W J	チ ッ プ 抵 抗			01
R026	RD350000	Carbon Resistor (chip)	0 1/16W J	チ ッ プ 抵 抗			01
R027	RD357100	Carbon Resistor (chip)	10K 1/16W J	チ ッ プ 抵 抗			01
R028	RD357100	Carbon Resistor (chip)	10K 1/16W J	チ ッ プ 抵 抗			01

*: New Parts

RANK: Japan only

DSP

REF NO.	PART NO.	DESCRIPTION		部	品	名	REMARKS	QTY	RANK
R029	RD350000	Carbon Resistor (chip)	0 1/16W J	チ	ッ	ブ	抵抗		01
-031	RD350000	Carbon Resistor (chip)	0 1/16W J	チ	ッ	ブ	抵抗		01
R052	RD355100	Carbon Resistor (chip)	100 1/16W J	チ	ッ	ブ	抵抗		01
R053	RD357100	Carbon Resistor (chip)	10K 1/16W J	チ	ッ	ブ	抵抗		01
R057	RD354220	Carbon Resistor (chip)	22 1/16W J	チ	ッ	ブ	抵抗		01
-059	RD354220	Carbon Resistor (chip)	22 1/16W J	チ	ッ	ブ	抵抗		01
R060	RD357100	Carbon Resistor (chip)	10K 1/16W J	チ	ッ	ブ	抵抗		01
R062	RD354220	Carbon Resistor (chip)	22 1/16W J	チ	ッ	ブ	抵抗		01
R064	RD354220	Carbon Resistor (chip)	22 1/16W J	チ	ッ	ブ	抵抗		01
R065	RD354220	Carbon Resistor (chip)	22 1/16W J	チ	ッ	ブ	抵抗		01
R066	RD357100	Carbon Resistor (chip)	10K 1/16W J	チ	ッ	ブ	抵抗		01
-070	RD357100	Carbon Resistor (chip)	10K 1/16W J	チ	ッ	ブ	抵抗		01
R071	RD354820	Carbon Resistor (chip)	82 1/16W J	チ	ッ	ブ	抵抗		01
R076	RD357100	Carbon Resistor (chip)	10K 1/16W J	チ	ッ	ブ	抵抗		01
R086	RD354470	Carbon Resistor (chip)	47 1/16W J	チ	ッ	ブ	抵抗		01
R088	RD354220	Carbon Resistor (chip)	22 1/16W J	チ	ッ	ブ	抵抗		01
R090	RD354470	Carbon Resistor (chip)	47 1/16W J	チ	ッ	ブ	抵抗		01
R091	RD354470	Carbon Resistor (chip)	47 1/16W J	チ	ッ	ブ	抵抗		01
R096	RD354470	Carbon Resistor (chip)	47 1/16W J	チ	ッ	ブ	抵抗		01
R097	RD354470	Carbon Resistor (chip)	47 1/16W J	チ	ッ	ブ	抵抗		01
R099	RD354470	Carbon Resistor (chip)	47 1/16W J	チ	ッ	ブ	抵抗		01
R106	RD350000	Carbon Resistor (chip)	0 1/16W J	チ	ッ	ブ	抵抗		01
R107	RD350000	Carbon Resistor (chip)	0 1/16W J	チ	ッ	ブ	抵抗		01
R150	RD354470	Carbon Resistor (chip)	47 1/16W J	チ	ッ	ブ	抵抗		01
R151	RD357100	Carbon Resistor (chip)	10K 1/16W J	チ	ッ	ブ	抵抗		01
R250	RD356330	Carbon Resistor (chip)	3.3K 1/16W J	チ	ッ	ブ	抵抗		01
R251	RD355100	Carbon Resistor (chip)	100 1/16W J	チ	ッ	ブ	抵抗		01
R252	RD154390	Carbon Resistor (chip)	39 1/4W J	チ	ッ	ブ	抵抗		01
-262	RD154390	Carbon Resistor (chip)	39 1/4W J	チ	ッ	ブ	抵抗		01
R265	RD155680	Carbon Resistor (chip)	680 1/4W J	チ	ッ	ブ	抵抗		01
R266	RD357100	Carbon Resistor (chip)	10K 1/16W J	チ	ッ	ブ	抵抗		01
R267	RD357100	Carbon Resistor (chip)	10K 1/16W J	チ	ッ	ブ	抵抗		01
R268	RD155120	Carbon Resistor (chip)	120 1/4W J	チ	ッ	ブ	抵抗		01
R270	RD355270	Carbon Resistor (chip)	270 1/16W J	チ	ッ	ブ	抵抗		01
-275	RD355270	Carbon Resistor (chip)	270 1/16W J	チ	ッ	ブ	抵抗		01
R276	RD357100	Carbon Resistor (chip)	10K 1/16W J	チ	ッ	ブ	抵抗		01
-278	RD357100	Carbon Resistor (chip)	10K 1/16W J	チ	ッ	ブ	抵抗		01
R279	RD354470	Carbon Resistor (chip)	47 1/16W J	チ	ッ	ブ	抵抗		01
R280	RD354470	Carbon Resistor (chip)	47 1/16W J	チ	ッ	ブ	抵抗		01
R301	RD357100	Carbon Resistor (chip)	10K 1/16W J	チ	ッ	ブ	抵抗		01
R305	RD354220	Carbon Resistor (chip)	22 1/16W J	チ	ッ	ブ	抵抗		01
-307	RD354220	Carbon Resistor (chip)	22 1/16W J	チ	ッ	ブ	抵抗		01
R450	RD354220	Carbon Resistor (chip)	22 1/16W J	チ	ッ	ブ	抵抗		01
R451	RD357100	Carbon Resistor (chip)	10K 1/16W J	チ	ッ	ブ	抵抗		01
R452	RD357100	Carbon Resistor (chip)	10K 1/16W J	チ	ッ	ブ	抵抗		01
R453	RD354220	Carbon Resistor (chip)	22 1/16W J	チ	ッ	ブ	抵抗		01
R454	RD354220	Carbon Resistor (chip)	22 1/16W J	チ	ッ	ブ	抵抗		01
R455	RD357100	Carbon Resistor (chip)	10K 1/16W J	チ	ッ	ブ	抵抗		01
R456	RD350000	Carbon Resistor (chip)	0 1/16W J	チ	ッ	ブ	抵抗		01
R457	RD354220	Carbon Resistor (chip)	22 1/16W J	チ	ッ	ブ	抵抗		01
R458	RD354470	Carbon Resistor (chip)	47 1/16W J	チ	ッ	ブ	抵抗		01
-460	RD354470	Carbon Resistor (chip)	47 1/16W J	チ	ッ	ブ	抵抗		01
RA001	RE044220	Resistor Array	22x4	抵	抗	ア	レイ		01
-016	RE044220	Resistor Array	22x4	抵	抗	ア	レイ		01
RA017	RE047100	Resistor Array	10Kx4	抵	抗	ア	レイ		01
-020	RE047100	Resistor Array	10Kx4	抵	抗	ア	レイ		01
RA021	RE044470	Resistor Array	47x4	抵	抗	ア	レイ		01
-023	RE044470	Resistor Array	47x4	抵	抗	ア	レイ		01
RA024	RE044220	Resistor Array	22x4	抵	抗	ア	レイ		01
RA025	RE044220	Resistor Array	22x4	抵	抗	ア	レイ		01
RA026	RE047100	Resistor Array	10Kx4	抵	抗	ア	レイ		01
-029	RE047100	Resistor Array	10Kx4	抵	抗	ア	レイ		01
RA050	RE047100	Resistor Array	10Kx4	抵	抗	ア	レイ		01
-054	RE047100	Resistor Array	10Kx4	抵	抗	ア	レイ		01
RA250	RE047100	Resistor Array	10Kx4	抵	抗	ア	レイ		01
-253	RE047100	Resistor Array	10Kx4	抵	抗	ア	レイ		01
RA255	RE044220	Resistor Array	22x4	抵	抗	ア	レイ		01
RA256	RE044220	Resistor Array	22x4	抵	抗	ア	レイ		01
RA301	RE044220	Resistor Array	22x4	抵	抗	ア	レイ		01
-305	RE044220	Resistor Array	22x4	抵	抗	ア	レイ		01

*: New Parts

RANK: Japan only

DSP & ENT

REF NO.	PART NO.	DESCRIPTION		部 品 名	REMARKS	QTY	RANK
RA450	RE047100	Resistor Array	10Kx4	抵 抗 ア レ イ			01
TA251	V9615500	Transistor Array	TD62783AF(EL)	ト ラ ン ジ ス タ ア レ イ			04
TA252	V9615500	Transistor Array	TD62783AF(EL)	ト ラ ン ジ ス タ ア レ イ			04
TR250	V7798700	Transistor	2SC4097 P,Q,R	ト ラ ン ジ ス タ			01
-255	V7798700	Transistor	2SC4097 P,Q,R	ト ラ ン ジ ス タ			01
X050	V8904500	Quartz Crystal Unit	49.152MHz DSO751SB	水 晶 発 振 器			07
X150	VZ156100	Quartz Crystal Unit	60MHz DSO751S TP	水 晶 発 振 器			06
* C101	WG302100	Circuit Board	ENT	E N T シ ー ト	(WG30200)(X7295C0)		
C101	UF037100	Electrolytic Cap. (chip)	10uF 16V	チ ッ プ ケ ミ コ ン			01
C102	US145100	Ceramic Capacitor-F (chip)	0.1uF 25V Z	チ ッ プ セ ラ (F)			01
-106	US145100	Ceramic Capacitor-F (chip)	0.1uF 25V Z	チ ッ プ セ ラ (F)			01
C108	US145100	Ceramic Capacitor-F (chip)	0.1uF 25V Z	チ ッ プ セ ラ (F)			01
C109	UF037100	Electrolytic Cap. (chip)	10uF 16V	チ ッ プ ケ ミ コ ン			01
C110	UF037100	Electrolytic Cap. (chip)	10uF 16V	チ ッ プ ケ ミ コ ン			01
C111	US145100	Ceramic Capacitor-F (chip)	0.1uF 25V Z	チ ッ プ セ ラ (F)			01
-117	US145100	Ceramic Capacitor-F (chip)	0.1uF 25V Z	チ ッ プ セ ラ (F)			01
C118	US061220	Ceramic Capacitor-CH(chip)	22pF 50V J	チ ッ プ セ ラ (C H)			01
C119	UF037100	Electrolytic Cap. (chip)	10uF 16V	チ ッ プ ケ ミ コ ン			01
C120	US145100	Ceramic Capacitor-F (chip)	0.1uF 25V Z	チ ッ プ セ ラ (F)			01
-123	US145100	Ceramic Capacitor-F (chip)	0.1uF 25V Z	チ ッ プ セ ラ (F)			01
C124	US062330	Ceramic Capacitor-SL(chip)	330pF 50V J	チ ッ プ セ ラ (S L)			01
C125	US061220	Ceramic Capacitor-CH(chip)	22pF 50V J	チ ッ プ セ ラ (C H)			01
C126	US145100	Ceramic Capacitor-F (chip)	0.1uF 25V Z	チ ッ プ セ ラ (F)			01
C127	US061220	Ceramic Capacitor-CH(chip)	22pF 50V J	チ ッ プ セ ラ (C H)			01
C128	US063100	Ceramic Capacitor-B (chip)	1000pF 50V K	チ ッ プ セ ラ (B)			01
C129	US062100	Ceramic Capacitor-SL(chip)	100pF 50V J	チ ッ プ セ ラ (S L)			01
C130	US061220	Ceramic Capacitor-CH(chip)	22pF 50V J	チ ッ プ セ ラ (C H)			01
C131	US061220	Ceramic Capacitor-CH(chip)	22pF 50V J	チ ッ プ セ ラ (C H)			01
C132	US062100	Ceramic Capacitor-SL(chip)	100pF 50V J	チ ッ プ セ ラ (S L)			01
C133	US063100	Ceramic Capacitor-B (chip)	1000pF 50V K	チ ッ プ セ ラ (B)			01
C134	US126100	Ceramic Capacitor-F (chip)	1.0uF 10V Z	チ ッ プ セ ラ (F)			01
C135	US063100	Ceramic Capacitor-B (chip)	1000pF 50V K	チ ッ プ セ ラ (B)			01
C136	US145100	Ceramic Capacitor-F (chip)	0.1uF 25V Z	チ ッ プ セ ラ (F)			01
-139	US145100	Ceramic Capacitor-F (chip)	0.1uF 25V Z	チ ッ プ セ ラ (F)			01
C140	US126100	Ceramic Capacitor-F (chip)	1.0uF 10V Z	チ ッ プ セ ラ (F)			01
-144	US126100	Ceramic Capacitor-F (chip)	1.0uF 10V Z	チ ッ プ セ ラ (F)			01
C145	US061220	Ceramic Capacitor-CH(chip)	22pF 50V J	チ ッ プ セ ラ (C H)			01
C146	US061220	Ceramic Capacitor-CH(chip)	22pF 50V J	チ ッ プ セ ラ (C H)			01
C147	US063100	Ceramic Capacitor-B (chip)	1000pF 50V K	チ ッ プ セ ラ (B)			01
C148	US145100	Ceramic Capacitor-F (chip)	0.1uF 25V Z	チ ッ プ セ ラ (F)			01
-151	US145100	Ceramic Capacitor-F (chip)	0.1uF 25V Z	チ ッ プ セ ラ (F)			01
C152	US126100	Ceramic Capacitor-F (chip)	1.0uF 10V Z	チ ッ プ セ ラ (F)			01
-156	US126100	Ceramic Capacitor-F (chip)	1.0uF 10V Z	チ ッ プ セ ラ (F)			01
C157	UF037100	Electrolytic Cap. (chip)	10uF 16V	チ ッ プ ケ ミ コ ン			01
C158	US145100	Ceramic Capacitor-F (chip)	0.1uF 25V Z	チ ッ プ セ ラ (F)			01
-161	US145100	Ceramic Capacitor-F (chip)	0.1uF 25V Z	チ ッ プ セ ラ (F)			01
C162	US126100	Ceramic Capacitor-F (chip)	1.0uF 10V Z	チ ッ プ セ ラ (F)			01
-165	US126100	Ceramic Capacitor-F (chip)	1.0uF 10V Z	チ ッ プ セ ラ (F)			01
C166	US063100	Ceramic Capacitor-B (chip)	1000pF 50V K	チ ッ プ セ ラ (B)			01
C167	US145100	Ceramic Capacitor-F (chip)	0.1uF 25V Z	チ ッ プ セ ラ (F)			01
C168	US126100	Ceramic Capacitor-F (chip)	1.0uF 10V Z	チ ッ プ セ ラ (F)			01
C169	US145100	Ceramic Capacitor-F (chip)	0.1uF 25V Z	チ ッ プ セ ラ (F)			01
-173	US145100	Ceramic Capacitor-F (chip)	0.1uF 25V Z	チ ッ プ セ ラ (F)			01
C174	UF037100	Electrolytic Cap. (chip)	10uF 16V	チ ッ プ ケ ミ コ ン			01
C175	US126100	Ceramic Capacitor-F (chip)	1.0uF 10V Z	チ ッ プ セ ラ (F)			01
-178	US126100	Ceramic Capacitor-F (chip)	1.0uF 10V Z	チ ッ プ セ ラ (F)			01
C179	US063100	Ceramic Capacitor-B (chip)	1000pF 50V K	チ ッ プ セ ラ (B)			01
C180	US145100	Ceramic Capacitor-F (chip)	0.1uF 25V Z	チ ッ プ セ ラ (F)			01
-182	US145100	Ceramic Capacitor-F (chip)	0.1uF 25V Z	チ ッ プ セ ラ (F)			01
C183	US063100	Ceramic Capacitor-B (chip)	1000pF 50V K	チ ッ プ セ ラ (B)			01
C184	US145100	Ceramic Capacitor-F (chip)	0.1uF 25V Z	チ ッ プ セ ラ (F)			01
C185	US126100	Ceramic Capacitor-F (chip)	1.0uF 10V Z	チ ッ プ セ ラ (F)			01
-189	US126100	Ceramic Capacitor-F (chip)	1.0uF 10V Z	チ ッ プ セ ラ (F)			01
C190	UF037100	Electrolytic Cap. (chip)	10uF 16V	チ ッ プ ケ ミ コ ン			01
C191	US145100	Ceramic Capacitor-F (chip)	0.1uF 25V Z	チ ッ プ セ ラ (F)			01
C192	US145100	Ceramic Capacitor-F (chip)	0.1uF 25V Z	チ ッ プ セ ラ (F)			01
C193	US126100	Ceramic Capacitor-F (chip)	1.0uF 10V Z	チ ッ プ セ ラ (F)			01
C194	US126100	Ceramic Capacitor-F (chip)	1.0uF 10V Z	チ ッ プ セ ラ (F)			01
C195	US145100	Ceramic Capacitor-F (chip)	0.1uF 25V Z	チ ッ プ セ ラ (F)			01

*: New Parts

RANK: Japan only

ENT

REF NO.	PART NO.	DESCRIPTION	部 品 名	REMARKS	QTY	RANK
-219	US145100	Ceramic Capacitor-F (chip)	0.1uF 25V Z	チ ッ プ セ ラ (F)		01
C221	US064100	Ceramic Capacitor-B (chip)	0.01uF 50V K	チ ッ プ セ ラ (B)		01
-225	US064100	Ceramic Capacitor-B (chip)	0.01uF 50V K	チ ッ プ セ ラ (B)		01
C226	US145100	Ceramic Capacitor-F (chip)	0.1uF 25V Z	チ ッ プ セ ラ (F)		01
CN101	WC198800	FMN Connector	38P TE FMN	F M N コ ネ ク タ ー	LAN	03
DA101	WE972600	Zener Diode	HZM6.2ZMFATR-E	ツ ェ ナ ー ダイ オ ー ド		01
IC101	X3693A00	IC	SN74LV245APWR	I C	BUS TRANSCEIVER	
-104	X3693A00	IC	SN74LV245APWR	I C	BUS TRANSCEIVER	
IC105	V9421500	FET	TPC6101(TE85L,F)	F E T		01
IC106	X2157A00	IC	UPC2918T-E1-AZ1.8V	I C	REGULATOR +1.8V	03
IC107	X5665A00	IC	M12L64164-7TG	I C	SDRAM 64M	09
IC108	--	IC	YTD442-RZ	I C	MAC (X7197A0)	
IC109	X5621A00	IC	KSZ8721SL	I C	PHYceiver	05
IC110	X4137A00	IC	SN74AHC1G04DCKR	I C		01
IC110	XS775A00	IC	TC7SH04FU(TE85L,JF)	I C	INVERTER	01
IC111	X4642A00	IC	SN74AHC1G32DCKR	I C		01
IC111	XW633A00	IC	TC7SH32FU(TE85L,JF)	I C	OR	01
IC112	X5731A00	IC	SN74LVC74APWR	I C	D-TYPE FLIP-FLOP	02
IC113	X5731A00	IC	SN74LVC74APWR	I C	D-TYPE FLIP-FLOP	02
IC114	X3833A00	IC	SN74AHC1G08DCKR AN	I C		01
IC114	XR680A00	IC	TC7SH08FU(TE85L,JF)	I C	AND	01
IC115	X5405A00	IC	SN74LVC32APWR OR	I C	OR	01
* JK101	WB553200	Modular Connector	8P RJSE-1E08T089A	モ ジ ュ ラ ー コ ネ ク タ ー		
* JK101	WG468100	Modular Connector	8P RJSE-1E08T089A	モ ジ ュ ラ ー コ ネ ク タ ー		
K101	BB071360	Screw Terminal	8.3X13 M1698	ネ ジ 端 子 M 3		01
K102	BB071360	Screw Terminal	8.3X13 M1698	ネ ジ 端 子 M 3		01
L101	VY657500	Chip Inductance	120uH BK1608LL121	チ ッ プ イ ン ダ ク タ		01
-103	VY657500	Chip Inductance	120uH BK1608LL121	チ ッ プ イ ン ダ ク タ		01
R101	RD255100	Carbon Resistor (chip)	100 1/10W J	チ ッ プ 抵 抗		01
R103	RD357100	Carbon Resistor (chip)	10K 1/16W J	チ ッ プ 抵 抗		01
R106	RD357100	Carbon Resistor (chip)	10K 1/16W J	チ ッ プ 抵 抗		01
R108	RD357100	Carbon Resistor (chip)	10K 1/16W J	チ ッ プ 抵 抗		01
R110	RD357100	Carbon Resistor (chip)	10K 1/16W J	チ ッ プ 抵 抗		01
R112	RD357100	Carbon Resistor (chip)	10K 1/16W J	チ ッ プ 抵 抗		01
R113	RD356100	Carbon Resistor (chip)	1.0K 1/16W J	チ ッ プ 抵 抗		01
R114	RD354470	Carbon Resistor (chip)	47 1/16W J	チ ッ プ 抵 抗		01
R115	RD355470	Carbon Resistor (chip)	470 1/16W J	チ ッ プ 抵 抗		01
R116	RD357100	Carbon Resistor (chip)	10K 1/16W J	チ ッ プ 抵 抗		01
R117	RD357100	Carbon Resistor (chip)	10K 1/16W J	チ ッ プ 抵 抗		01
R118	RD354100	Carbon Resistor (chip)	10 1/16W J	チ ッ プ 抵 抗		01
R119	RD354100	Carbon Resistor (chip)	10 1/16W J	チ ッ プ 抵 抗		01
R120	RD357100	Carbon Resistor (chip)	10K 1/16W J	チ ッ プ 抵 抗		01
-122	RD357100	Carbon Resistor (chip)	10K 1/16W J	チ ッ プ 抵 抗		01
R123	RD356100	Carbon Resistor (chip)	1.0K 1/16W J	チ ッ プ 抵 抗		01
R124	RD357100	Carbon Resistor (chip)	10K 1/16W J	チ ッ プ 抵 抗		01
R125	RD359100	Carbon Resistor (chip)	1.0M 1/16W J	チ ッ プ 抵 抗		01
R126	RD355100	Carbon Resistor (chip)	100 1/16W J	チ ッ プ 抵 抗		01
R127	RD355100	Carbon Resistor (chip)	100 1/16W J	チ ッ プ 抵 抗		01
R128	RD357100	Carbon Resistor (chip)	10K 1/16W J	チ ッ プ 抵 抗		01
R129	RD356100	Carbon Resistor (chip)	1.0K 1/16W J	チ ッ プ 抵 抗		01
R130	RD356100	Carbon Resistor (chip)	1.0K 1/16W J	チ ッ プ 抵 抗		01
R131	RF456470	Carbon Resistor (chip)	4.7K 1/16W D	チ ッ プ 抵 抗		01
R132	RF456180	Carbon Resistor (chip)	1.8K 1/16W D	チ ッ プ 抵 抗		01
R137	RF455100	Carbon Resistor (chip)	100 1/16W D	チ ッ プ 抵 抗		01
-144	RF455100	Carbon Resistor (chip)	100 1/16W D	チ ッ プ 抵 抗		01
R145	RD354330	Carbon Resistor (chip)	33 1/16W J	チ ッ プ 抵 抗		01
R146	RD356330	Carbon Resistor (chip)	3.3K 1/16W J	チ ッ プ 抵 抗		01
R147	RD356330	Carbon Resistor (chip)	3.3K 1/16W J	チ ッ プ 抵 抗		01
R149	RD356330	Carbon Resistor (chip)	3.3K 1/16W J	チ ッ プ 抵 抗		01
R150	RD356330	Carbon Resistor (chip)	3.3K 1/16W J	チ ッ プ 抵 抗		01
R151	RD354470	Carbon Resistor (chip)	47 1/16W J	チ ッ プ 抵 抗		01
-153	RD354470	Carbon Resistor (chip)	47 1/16W J	チ ッ プ 抵 抗		01
RA101	RE044470	Resistor Array	47x4	抵 抗 ア レ イ		01
-112	RE044470	Resistor Array	47x4	抵 抗 ア レ イ		01
RA113	RE046100	Resistor Array	1Kx4	抵 抗 ア レ イ		01
RA114	RE047100	Resistor Array	10Kx4	抵 抗 ア レ イ		01
RA115	RE047100	Resistor Array	10Kx4	抵 抗 ア レ イ		01
RA116	RE044470	Resistor Array	47x4	抵 抗 ア レ イ		01
* X101	WG253300	Quartz Crystal Unit	18.432MHz DSX630G	水 晶 発 振 器		
* X102	WA245100	Quartz Crystal Unit	25.0MHz DSX630G	水 晶 振 動 子		

*: New Parts

RANK: Japan only

DC & PN & PS

REF NO.	PART NO.	DESCRIPTION		部 品 名	REMARKS	QTY	RANK
*	WG303600	Circuit Board	DC (SUB1/3)	D C シ - ト	(WG30340)(X7297C0)		
*	WG303500	Circuit Board	PN (SUB2/3)	P N シ - ト	(WG30340)(X7297C0)		
*	WG303700	Circuit Board	PS (SUB3/3)	P S シ - ト	(WG30340)(X7297C0)		
* C101	UR049220	Electrolytic Cap.	2200uF 25V	ケ ミ コ ン			
C102	VE326000	Mylar Capacitor	0.10uF 50V J	マ イ ラ - コ ン			01
C104	US064100	Ceramic Capacitor-B (chip)	0.01uF 50V K	チ ッ プ セ ラ (B)			01
C105	WA163300	Electrolytic Cap.	220uF 35V	ケ ミ コ ン H D			01
C107	WA163300	Electrolytic Cap.	220uF 35V	ケ ミ コ ン H D			01
C108	WA163300	Electrolytic Cap.	220uF 35V	ケ ミ コ ン H D			01
C109	US034470	Ceramic Capacitor-B (chip)	0.047uF 16V K	チ ッ プ セ ラ (B)			01
C110	US063100	Ceramic Capacitor-B (chip)	1000pF 50V K	チ ッ プ セ ラ (B)			01
C114	US064100	Ceramic Capacitor-B (chip)	0.01uF 50V K	チ ッ プ セ ラ (B)			01
C115	US065100	Ceramic Capacitor-F (chip)	0.1uF 50V Z	チ ッ プ セ ラ (F)			
C116	US065100	Ceramic Capacitor-F (chip)	0.1uF 50V Z	チ ッ プ セ ラ (F)			
C117	US065100	Ceramic Capacitor-F (chip)	0.1uF 50V Z	チ ッ プ セ ラ (F)			
C119	US063100	Ceramic Capacitor-B (chip)	1000pF 50V K	チ ッ プ セ ラ (B)			01
C120	US145100	Ceramic Capacitor-F (chip)	0.1uF 25V Z	チ ッ プ セ ラ (F)			01
C121	US145100	Ceramic Capacitor-F (chip)	0.1uF 25V Z	チ ッ プ セ ラ (F)			01
C123	US065100	Ceramic Capacitor-F (chip)	0.1uF 50V Z	チ ッ プ セ ラ (F)			
C127	WA163300	Electrolytic Cap.	220uF 35V	ケ ミ コ ン H D			01
C128	WA122600	Electrolytic Cap.	220uF 10V	ケ ミ コ ン H C			01
C129	UA355100	Mylar Capacitor	0.10uF 50V J	マ イ ラ - コ ン			01
C132	WA163300	Electrolytic Cap.	220uF 35V	ケ ミ コ ン H D			01
C135	WA122600	Electrolytic Cap.	220uF 10V	ケ ミ コ ン H C			01
C137	VE326000	Mylar Capacitor	0.10uF 50V J	マ イ ラ - コ ン			01
C140	UR068220	Electrolytic Cap.	220uF 50V	ケ ミ コ ン			01
C142	WA163300	Electrolytic Cap.	220uF 35V	ケ ミ コ ン H D			01
C143	US065100	Ceramic Capacitor-F (chip)	0.1uF 50V Z	チ ッ プ セ ラ (F)			
C145	US065100	Ceramic Capacitor-F (chip)	0.1uF 50V Z	チ ッ プ セ ラ (F)			
C146	US135330	Ceramic Capacitor-F(chip)	0.33uF 16V	チ ッ プ セ ラ (F)			01
C148	WA163300	Electrolytic Cap.	220uF 35V	ケ ミ コ ン H D			01
C150	UA355100	Mylar Capacitor	0.10uF 50V J	マ イ ラ - コ ン			01
C151	WA163300	Electrolytic Cap.	220uF 35V	ケ ミ コ ン H D			01
C152	UA355100	Mylar Capacitor	0.10uF 50V J	マ イ ラ - コ ン			01
C153	US145100	Ceramic Capacitor-F (chip)	0.1uF 25V Z	チ ッ プ セ ラ (F)			01
C154	WA163300	Electrolytic Cap.	220uF 35V	ケ ミ コ ン H D			01
△ C301	V3311600	Capacitor	0.01uF 250V J.U.C.	規 格 認 定 コ ン K H			01
C703	US145100	Ceramic Capacitor-F (chip)	0.1uF 25V Z	チ ッ プ セ ラ (F)			01
C802	US065100	Ceramic Capacitor-F (chip)	0.1uF 50V Z	チ ッ プ セ ラ (F)			
C803	UU247470	Electrolytic Cap.	47uF 25V	ケ ミ コ ン F W			01
C805	WA163300	Electrolytic Cap.	220uF 35V	ケ ミ コ ン H D			01
CN101	LB932060	Base Post Connector	VH 6P TE	ベ - ス ポ ス ト			01
CN103	VK025600	Wire Trap	52147 12P TE	ワ イ ヤ - ト ラ ッ プ			01
* CN104	WC958600	Connector Assembly #24	SAN&PH 14P 100mm	束 線 # 2 4			
CN201	WD295700	Connector, FFC	21P SE 52793	F F C コ ネ ク タ -			02
CN301	VP245600	Base Post Connector	VA 2P SE	ベ - ス ツ キ ポ ス ト			01
D101	WA295200	Diode (chip)	D1FS4A-7063 TP	チ ッ プ ダ イ オ - ド			01
D102	VR496500	Diode (chip)	MA111 FLAT TP	チ ッ プ ダ イ オ - ド			
D102	VT332900	Diode	1SS355 TE-17	ダ イ オ - ド			01
D103	VR496500	Diode (chip)	MA111 FLAT TP	チ ッ プ ダ イ オ - ド			
D103	VT332900	Diode	1SS355 TE-17	ダ イ オ - ド			01
D105	V4766800	Diode (chip)	RB060L-40 TAPING	チ ッ プ ダ イ オ - ド			01
D106	VS597600	Diode (chip)	RB160L-40 TE25	チ ッ プ ダ イ オ - ド			01
D107	V9599200	Diode	HSU119 TP	ダ イ オ - ド			01
D109	VS597600	Diode (chip)	RB160L-40 TE25	チ ッ プ ダ イ オ - ド			01
D112	RB409200	Diode (chip)	RB160L-60 TE	チ ッ プ ダ イ オ - ド			01
D113	VR496500	Diode (chip)	MA111 FLAT TP	チ ッ プ ダ イ オ - ド			
D113	VT332900	Diode	1SS355 TE-17	ダ イ オ - ド			01
D114	VS597600	Diode (chip)	RB160L-40 TE25	チ ッ プ ダ イ オ - ド			01
D115	VS597600	Diode (chip)	RB160L-40 TE25	チ ッ プ ダ イ オ - ド			01
D201	VR496500	Diode (chip)	MA111 FLAT TP	チ ッ プ ダ イ オ - ド			
D201	VT332900	Diode	1SS355 TE-17	ダ イ オ - ド			01
D202	VR496500	Diode (chip)	MA111 FLAT TP	チ ッ プ ダ イ オ - ド			
D202	VT332900	Diode	1SS355 TE-17	ダ イ オ - ド			01
D203	VR496500	Diode (chip)	MA111 FLAT TP	チ ッ プ ダ イ オ - ド			
D203	VT332900	Diode	1SS355 TE-17	ダ イ オ - ド			01
D204	VR496500	Diode (chip)	MA111 FLAT TP	チ ッ プ ダ イ オ - ド			
D204	VT332900	Diode	1SS355 TE-17	ダ イ オ - ド			01
D205	VR496500	Diode (chip)	MA111 FLAT TP	チ ッ プ ダ イ オ - ド			

*: New Parts

RANK: Japan only

DC & PN & PS

REF NO.	PART NO.	DESCRIPTION	部 品 名	REMARKS	QTY	RANK
D205	VT332900	Diode	1SS355 TE-17	ダイオード		01
D206	VR496500	Diode (chip)	MA111 FLAT TP	チップダイオード		
D206	VT332900	Diode	1SS355 TE-17	ダイオード		01
D207	VR496500	Diode (chip)	MA111 FLAT TP	チップダイオード		
D207	VT332900	Diode	1SS355 TE-17	ダイオード		01
D208	VR496500	Diode (chip)	MA111 FLAT TP	チップダイオード		
D208	VT332900	Diode	1SS355 TE-17	ダイオード		01
D209	VR496500	Diode (chip)	MA111 FLAT TP	チップダイオード		
D209	VT332900	Diode	1SS355 TE-17	ダイオード		01
D210	VR496500	Diode (chip)	MA111 FLAT TP	チップダイオード		
D210	VT332900	Diode	1SS355 TE-17	ダイオード		01
D211	VR496500	Diode (chip)	MA111 FLAT TP	チップダイオード		
D211	VT332900	Diode	1SS355 TE-17	ダイオード		01
D212	VR496500	Diode (chip)	MA111 FLAT TP	チップダイオード		
D212	VT332900	Diode	1SS355 TE-17	ダイオード		01
D213	VR496500	Diode (chip)	MA111 FLAT TP	チップダイオード		
D213	VT332900	Diode	1SS355 TE-17	ダイオード		01
D214	VR496500	Diode (chip)	MA111 FLAT TP	チップダイオード		
D214	VT332900	Diode	1SS355 TE-17	ダイオード		01
D215	VR496500	Diode (chip)	MA111 FLAT TP	チップダイオード		
D215	VT332900	Diode	1SS355 TE-17	ダイオード		01
D216	VR496500	Diode (chip)	MA111 FLAT TP	チップダイオード		
D216	VT332900	Diode	1SS355 TE-17	ダイオード		01
D217	VR496500	Diode (chip)	MA111 FLAT TP	チップダイオード		
D217	VT332900	Diode	1SS355 TE-17	ダイオード		01
D218	VR496500	Diode (chip)	MA111 FLAT TP	チップダイオード		
D218	VT332900	Diode	1SS355 TE-17	ダイオード		01
D219	VR496500	Diode (chip)	MA111 FLAT TP	チップダイオード		
D219	VT332900	Diode	1SS355 TE-17	ダイオード		01
D220	VR496500	Diode (chip)	MA111 FLAT TP	チップダイオード		
D220	VT332900	Diode	1SS355 TE-17	ダイオード		01
D221	VR496500	Diode (chip)	MA111 FLAT TP	チップダイオード		
D221	VT332900	Diode	1SS355 TE-17	ダイオード		01
D801	VS597600	Diode (chip)	RB160L-40 TE25	チップダイオード		01
EM101	WA093400	LC Filter	ZJSR5101-223TA-01	LCフィルタ EMI		01
-109	WA093400	LC Filter	ZJSR5101-223TA-01	LCフィルタ EMI		01
IC101	X3847A00	IC	S-80142ANMC-JC3T2G	I C	SYSTEM RESET	01
* IC102	X7285A00	IC	TC7SH00FU	I C	NAND	
IC103	X6154A00	IC	MD1333N DC/DC	I C	DC/DC CONVERTER	06
IC105	X5090A00	IC	PQ1CY1032ZPH 3.5A	I C	CHOPPER REGULATOR	04
IC106	X5090A00	IC	PQ1CY1032ZPH 3.5A	I C	CHOPPER REGULATOR	04
IC107	X4366A00	IC	LM2940CSX-5.0/NOPB	I C	REGULATOR +5V	03
IC108	X4364A00	IC	LM2592HVSX-ADJ/NOP	I C	POWER CONVERTER	08
IC109	X5090A00	IC	PQ1CY1032ZPH 3.5A	I C	CHOPPER REGULATOR	04
IC801	X4368A00	IC	NJM78M20DL1A(Te1)	I C	REGULATOR +20V	02
K102	VB966900	Style Pin	IMSA-6024-01EL-PT	スタイルピン L = 3 5		01
L104	WE488000	Coil	CDRH125 SMD	コイル 1 0 0 U		03
L105	WB420300	Coil	CDRH127-221MC SMD	コイル 2 2 0 U		03
L106	V7185100	Coil	10uH CDRH125-100	コイル 1 0 U		03
L107	WB318600	Chip Inductance	CDRH5D28-220	チップインダクタ		01
* L109	WG957500	Coil	200uH HK-08S050	コイル 2 0 0 U		
* L109	WH815300	Coil	200uH HK-08S050	コイル 2 0 0 U		
* L110	WG957500	Coil	200uH HK-08S050	コイル 2 0 0 U		
* L110	WH815300	Coil	200uH HK-08S050	コイル 2 0 0 U		
LD201	WG138900	LED Green	TLGV1022(T14YMH,F)	L E D	LEVEL	01
LD202	WG138900	LED Green	TLGV1022(T14YMH,F)	L E D	ROUTING	01
LD203	WG138900	LED Green	TLGV1022(T14YMH,F)	L E D	SCENE	01
LD204	WG138700	LED Red	TLRV1022(T14YMH,F)	L E D	INPUT A	01
LD205	WG138700	LED Red	TLRV1022(T14YMH,F)	L E D	OUTPUT 1	01
LD206	WG138700	LED Red	TLRV1022(T14YMH,F)	L E D	OUTPUT 4	01
LD207	WG138900	LED Green	TLGV1022(T14YMH,F)	L E D	DELAY	01
LD208	WG138900	LED Green	TLGV1022(T14YMH,F)	L E D	X-OVER	01
LD209	WG138900	LED Green	TLGV1022(T14YMH,F)	L E D	UTILITY	01
LD210	WG138700	LED Red	TLRV1022(T14YMH,F)	L E D	INPUT B	01
LD211	WG138700	LED Red	TLRV1022(T14YMH,F)	L E D	OUTPUT 2	01
LD212	WG138700	LED Red	TLRV1022(T14YMH,F)	L E D	OUTPUT 5	01
LD213	WG138900	LED Green	TLGV1022(T14YMH,F)	L E D	EQ	01
LD214	WG138900	LED Green	TLGV1022(T14YMH,F)	L E D	LIMITER	01
LD215	WG138700	LED Red	TLRV1022(T14YMH,F)	L E D	MUTE	01
LD216	WG138700	LED Red	TLRV1022(T14YMH,F)	L E D	OUTPUT 3	01

*: New Parts

RANK: Japan only

DC & PN & PS

REF NO.	PART NO.	DESCRIPTION		部	品	名	REMARKS	QTY	RANK
LD217	WG138700	LED Red	TLRV1022(T14YMH,F)	L	E	D	OUTPUT 6		01
LD218	WG138700	LED Red	TLRV1022(T14YMH,F)	L	E	D	OVER (INPUT A)		01
LD219	WG138800	LED Orange	TLOV1022(T14YMH,F)	L	E	D	-6 (INPUT A)		01
LD220	WG138800	LED Orange	TLOV1022(T14YMH,F)	L	E	D	-12 (INPUT A)		01
LD221	WG138800	LED Orange	TLOV1022(T14YMH,F)	L	E	D	-18 (INPUT A)		01
LD222	WG138900	LED Green	TLGV1022(T14YMH,F)	L	E	D	-30 (INPUT A)		01
LD223	WG138900	LED Green	TLGV1022(T14YMH,F)	L	E	D	-48 (INPUT A)		01
LD224	WG138700	LED Red	TLRV1022(T14YMH,F)	L	E	D	OVER (INPUT B)		01
LD225	WG138800	LED Orange	TLOV1022(T14YMH,F)	L	E	D	-6 (INPUT B)		01
LD226	WG138800	LED Orange	TLOV1022(T14YMH,F)	L	E	D	-12 (INPUT B)		01
LD227	WG138800	LED Orange	TLOV1022(T14YMH,F)	L	E	D	-18 (INPUT B)		01
LD228	WG138900	LED Green	TLGV1022(T14YMH,F)	L	E	D	-30 (INPUT B)		01
LD229	WG138900	LED Green	TLGV1022(T14YMH,F)	L	E	D	-48 (INPUT B)		01
LD230	WG138700	LED Red	TLRV1022(T14YMH,F)	L	E	D	OVER (OUTPUT 1)		01
LD231	WG138800	LED Orange	TLOV1022(T14YMH,F)	L	E	D	LIMIT (OUTPUT 1)		01
LD232	WG138900	LED Green	TLGV1022(T14YMH,F)	L	E	D	-6 (OUTPUT 1)		01
LD233	WG138900	LED Green	TLGV1022(T14YMH,F)	L	E	D	-12 (OUTPUT 1)		01
LD234	WG138900	LED Green	TLGV1022(T14YMH,F)	L	E	D	-18 (OUTPUT 1)		01
LD235	WG138900	LED Green	TLGV1022(T14YMH,F)	L	E	D	-40 (OUTPUT 1)		01
LD236	WG138700	LED Red	TLRV1022(T14YMH,F)	L	E	D	OVER (OUTPUT 2)		01
LD237	WG138800	LED Orange	TLOV1022(T14YMH,F)	L	E	D	LIMIT (OUTPUT 2)		01
LD238	WG138900	LED Green	TLGV1022(T14YMH,F)	L	E	D	-6 (OUTPUT 2)		01
LD239	WG138900	LED Green	TLGV1022(T14YMH,F)	L	E	D	-12 (OUTPUT 2)		01
LD240	WG138900	LED Green	TLGV1022(T14YMH,F)	L	E	D	-18 (OUTPUT 2)		01
LD241	WG138900	LED Green	TLGV1022(T14YMH,F)	L	E	D	-40 (OUTPUT 2)		01
LD242	WG138700	LED Red	TLRV1022(T14YMH,F)	L	E	D	OVER (OUTPUT 3)		01
LD243	WG138800	LED Orange	TLOV1022(T14YMH,F)	L	E	D	LIMIT (OUTPUT 3)		01
LD244	WG138900	LED Green	TLGV1022(T14YMH,F)	L	E	D	-6 (OUTPUT 3)		01
LD245	WG138900	LED Green	TLGV1022(T14YMH,F)	L	E	D	-12 (OUTPUT 3)		01
LD246	WG138900	LED Green	TLGV1022(T14YMH,F)	L	E	D	-18 (OUTPUT 3)		01
LD247	WG138900	LED Green	TLGV1022(T14YMH,F)	L	E	D	-40 (OUTPUT 3)		01
LD248	WG138700	LED Red	TLRV1022(T14YMH,F)	L	E	D	OVER (OUTPUT 4)		01
LD249	WG138800	LED Orange	TLOV1022(T14YMH,F)	L	E	D	LIMIT (OUTPUT 4)		01
LD250	WG138900	LED Green	TLGV1022(T14YMH,F)	L	E	D	-6 (OUTPUT 4)		01
LD251	WG138900	LED Green	TLGV1022(T14YMH,F)	L	E	D	-12 (OUTPUT 4)		01
LD252	WG138900	LED Green	TLGV1022(T14YMH,F)	L	E	D	-18 (OUTPUT 4)		01
LD253	WG138900	LED Green	TLGV1022(T14YMH,F)	L	E	D	-40 (OUTPUT 4)		01
LD254	WG138700	LED Red	TLRV1022(T14YMH,F)	L	E	D	OVER (OUTPUT 5)		01
LD255	WG138800	LED Orange	TLOV1022(T14YMH,F)	L	E	D	LIMIT (OUTPUT 5)		01
LD256	WG138900	LED Green	TLGV1022(T14YMH,F)	L	E	D	-6 (OUTPUT 5)		01
LD257	WG138900	LED Green	TLGV1022(T14YMH,F)	L	E	D	-12 (OUTPUT 5)		01
LD258	WG138900	LED Green	TLGV1022(T14YMH,F)	L	E	D	-18 (OUTPUT 5)		01
LD259	WG138900	LED Green	TLGV1022(T14YMH,F)	L	E	D	-40 (OUTPUT 5)		01
LD260	WG138700	LED Red	TLRV1022(T14YMH,F)	L	E	D	OVER (OUTPUT 6)		01
LD261	WG138800	LED Orange	TLOV1022(T14YMH,F)	L	E	D	LIMIT (OUTPUT 6)		01
LD262	WG138900	LED Green	TLGV1022(T14YMH,F)	L	E	D	-6 (OUTPUT 6)		01
LD263	WG138900	LED Green	TLGV1022(T14YMH,F)	L	E	D	-12 (OUTPUT 6)		01
LD264	WG138900	LED Green	TLGV1022(T14YMH,F)	L	E	D	-18 (OUTPUT 6)		01
LD265	WG138900	LED Green	TLGV1022(T14YMH,F)	L	E	D	-40 (OUTPUT 6)		01
R106	RF457180	Carbon Resistor (chip)	18K 1/16W D	チ	ッ	ブ	抵抗		
R107	RF456510	Carbon Resistor (chip)	5.1K 1/16W D	チ	ッ	ブ	抵抗		01
R110	RD257120	Carbon Resistor (chip)	12K 1/10W J	チ	ッ	ブ	抵抗		01
R111	RD356330	Carbon Resistor (chip)	3.3K 1/16W J	チ	ッ	ブ	抵抗		01
R112	RD358100	Carbon Resistor (chip)	100K 1/16W J	チ	ッ	ブ	抵抗		01
R113	RD359100	Carbon Resistor (chip)	1.0M 1/16W J	チ	ッ	ブ	抵抗		01
R114	RD358100	Carbon Resistor (chip)	100K 1/16W J	チ	ッ	ブ	抵抗		01
R115	RD354220	Carbon Resistor (chip)	22 1/16W J	チ	ッ	ブ	抵抗		01
R116	RD357150	Carbon Resistor (chip)	15K 1/16W J	チ	ッ	ブ	抵抗		01
R117	RD356470	Carbon Resistor (chip)	4.7K 1/16W J	チ	ッ	ブ	抵抗		01
R118	RD357150	Carbon Resistor (chip)	15K 1/16W J	チ	ッ	ブ	抵抗		01
R119	RD356470	Carbon Resistor (chip)	4.7K 1/16W J	チ	ッ	ブ	抵抗		01
R120	RF456100	Carbon Resistor (chip)	1.0K 1/16W D	チ	ッ	ブ	抵抗		
R121	RF456100	Carbon Resistor (chip)	1.0K 1/16W D	チ	ッ	ブ	抵抗		
R122	RF456150	Carbon Resistor (chip)	1.5K 1/16W D	チ	ッ	ブ	抵抗		
R123	RF456430	Carbon Resistor (chip)	4.3K 1/16W D	チ	ッ	ブ	抵抗		01
R124	RD357100	Carbon Resistor (chip)	10K 1/16W J	チ	ッ	ブ	抵抗		01
R125	RF456220	Carbon Resistor (chip)	2.2K 1/16W D	チ	ッ	ブ	抵抗		
R128	RF456150	Carbon Resistor (chip)	1.5K 1/16W D	チ	ッ	ブ	抵抗		
R130	RF455820	Carbon Resistor (chip)	820 1/16W D	チ	ッ	ブ	抵抗		01
R131	WE513700	Carbon Resistor (chip)	0.056 2W F	チ	ッ	ブ	抵抗		02

*: New Parts

RANK: Japan only

DC & PN & PS & LCD

REF NO.	PART NO.	DESCRIPTION		部 品 名	REMARKS	QTY	RANK
R147	RD357150	Carbon Resistor (chip)	15K 1/16W J	チ ッ プ 抵 抗			01
R148	RD356470	Carbon Resistor (chip)	4.7K 1/16W J	チ ッ プ 抵 抗			01
R149	RF456100	Carbon Resistor (chip)	1.0K 1/16W D	チ ッ プ 抵 抗			
R150	RF456220	Carbon Resistor (chip)	2.2K 1/16W D	チ ッ プ 抵 抗			
R151	RF457120	Carbon Resistor (chip)	12K 1/16W D	チ ッ プ 抵 抗			
R152	RF456130	Carbon Resistor (chip)	1.3K 1/16W D	チ ッ プ 抵 抗			01
R153	RF457180	Carbon Resistor (chip)	18K 1/16W D	チ ッ プ 抵 抗			
R156	RD257100	Carbon Resistor (chip)	10K 1/10W J	チ ッ プ 抵 抗			01
R917	RD350000	Carbon Resistor (chip)	0 1/16W J	チ ッ プ 抵 抗			01
SW201	WE952000	Tact Switch	SKRGAED010	タ ク ト S W	BACK		01
SW202	WE952000	Tact Switch	SKRGAED010	タ ク ト S W	INC		01
SW203	WE952000	Tact Switch	SKRGAED010	タ ク ト S W	DEC		01
SW204	WE952000	Tact Switch	SKRGAED010	タ ク ト S W	NEXT		01
SW205	WE952000	Tact Switch	SKRGAED010	タ ク ト S W	INPUT A		01
SW206	WE952000	Tact Switch	SKRGAED010	タ ク ト S W	INPUT B		01
SW207	WE952000	Tact Switch	SKRGAED010	タ ク ト S W	LEVEL		01
SW208	WE952000	Tact Switch	SKRGAED010	タ ク ト S W	ROUTING		01
SW209	WE952000	Tact Switch	SKRGAED010	タ ク ト S W	SCENE		01
SW210	WE952000	Tact Switch	SKRGAED010	タ ク ト S W	OUTPUT 3		01
SW211	WE952000	Tact Switch	SKRGAED010	タ ク ト S W	OUTPUT 1		01
SW212	WE952000	Tact Switch	SKRGAED010	タ ク ト S W	OUTPUT 4		01
SW213	WE952000	Tact Switch	SKRGAED010	タ ク ト S W	DELAY		01
SW214	WE952000	Tact Switch	SKRGAED010	タ ク ト S W	X-OVER		01
SW215	WE952000	Tact Switch	SKRGAED010	タ ク ト S W	UTILITY		01
SW216	WE952000	Tact Switch	SKRGAED010	タ ク ト S W	OUTPUT 2		01
SW217	WE952000	Tact Switch	SKRGAED010	タ ク ト S W	OUTPUT 5		01
SW218	WE952000	Tact Switch	SKRGAED010	タ ク ト S W	EQ		01
SW219	WE952000	Tact Switch	SKRGAED010	タ ク ト S W	LIMITER		01
SW220	WE952000	Tact Switch	SKRGAED010	タ ク ト S W	MUTE		01
SW221	WE952000	Tact Switch	SKRGAED010	タ ク ト S W	OUTPUT 6		01
SW301	V3127000	Push Switch	ESB92S23B J.U.C.S	プ ッ シ ュ S W	POWER ON/OFF		02
TR104	WC529500	Transistor	KTA1504S-Y,GR-RTK/	ト ラ ン ジ ス タ			
	WB448400	LCD	EW10212YMR-G2	液 晶 デ ィ ス プ レ イ			12
	WE620800	Power Supply Unit	LEA75F-24-SXYMH	電 源 ユ ニ ッ ト			
	V5065200	AC Inlet	3P 1908-C	A C イ ン レ ッ ト 3 P			03
	VN103500	Lithium Battery	CR2032	リ チ ウ ム 電 池			03
	VT119800	AC Cord	J 7A 125V 3P 2.5m	電 源 コ ー ド J			06
	VB927800	AC Cord	CSA	電 源 コ ー ド U			08
	VB928000	AC Cord	VDE	電 源 コ ー ド H			08
	WE667300	AC Cord	BS	電 源 コ ー ド B			09
	WC901300	AC Cord Set	CHN 3 2.5m	電 源 コ ー ド セ ッ ト O			10

*: New Parts

RANK: Japan only

SPEAKER PROCESSOR

SP 2060

CIRCUIT DIAGRAM

■ CONTENTS (目次)

LEVEL DIAGRAM (レベルダイアグラム)	2
BLOCK DIAGRAM (ブロックダイアグラム)	3
WIRING DIAGRAM (基板結線図)	6
CIRCUIT DIAGRAM (総回路図)	
ANA 1/4	7
ANA 2/4	8
ANA 3/4	9
ANA 4/4	10
CPU 1/3	11
CPU 2/3	12
CPU 3/3	13
DSP 1/5	14
DSP 2/5	15
DSP 3/5	16
DSP 4/5	17
DSP 5/5	18
ENT	19
DC	20
PN & PS	21

■ Capacitor (コンデンサー)

㊦	: Electrolytic Capacitor	(ケミカルコンデンサー)
規格認定コン	: Recognized Capacitor	(規格認定コン)
(セ)	: Ceramic Capacitor	(セラミックコンデンサー)
(KL)	: Electrolytic Capacitor KL type	(ケミカルコンデンサー-KLタイプ)
(フ)	: Film Capacitor	(フィルムコンデンサー)
(マイカ)	: Mica Capacitor	(マイカコンデンサー)
(マ)	: Mylar Capacitor	(マイラーコンデンサー)
(PP)	: Polypropylene Capacitor	(ポリプロピレンコンデンサー)

■ Resistor (抵抗)

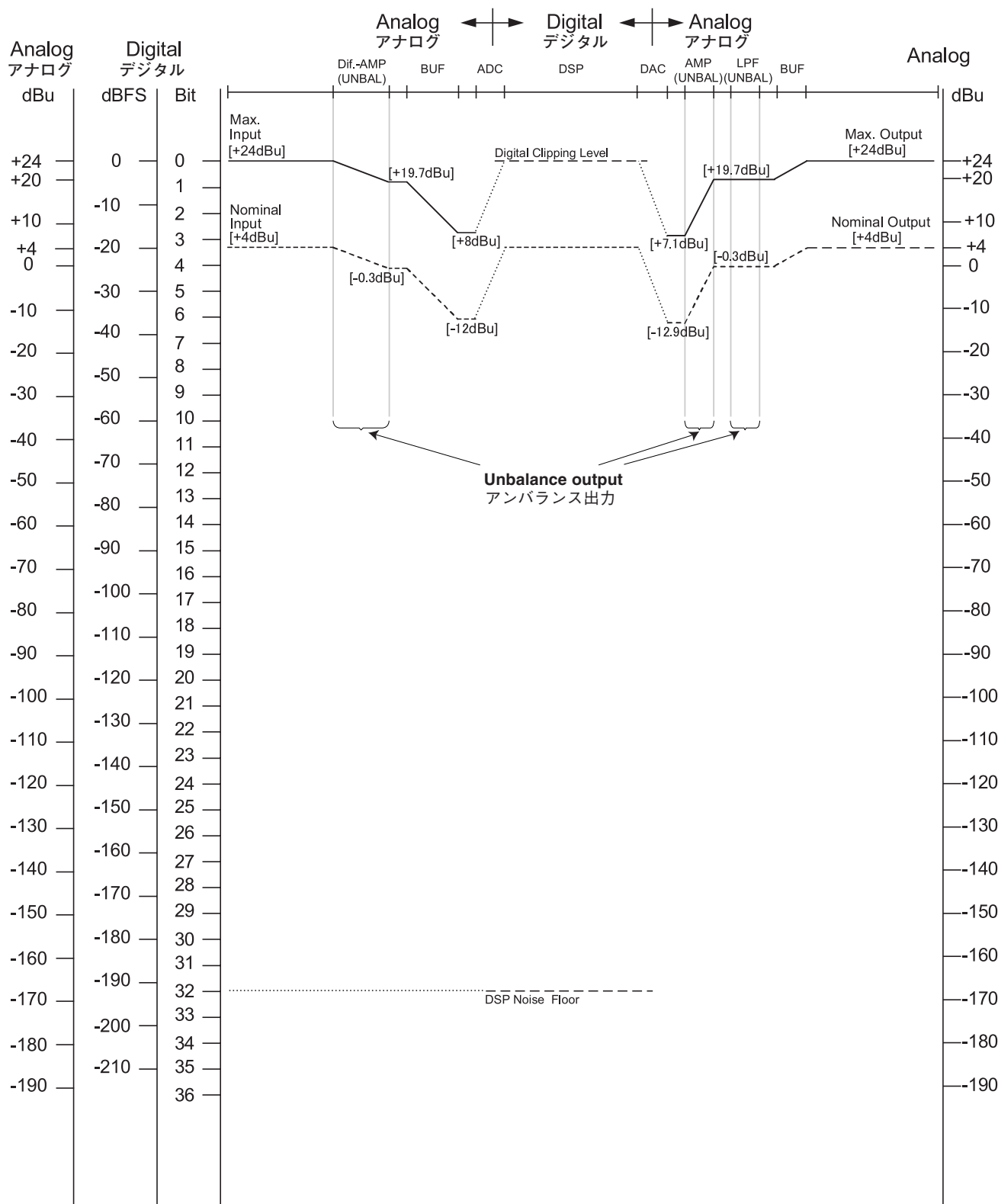
(フ)	: Flame Proof C. Resistor	(不燃化カーボン抵抗)
(D)	: Metal Film Resistor	(金属被膜抵抗)
(F)	: Metal Film Resistor	(金属被膜抵抗)
酸化金	: Metal Oxide Film Resistor	(酸化金属被膜抵抗)

■ WARNING (注意)

Components having special characteristics are marked Δ and must be replaced with parts having specification equal to those originally installed.

Δ 印の部品は、安全を維持するために重要な部品です。交換する場合は、安全のために必ず指定の部品をご使用ください。

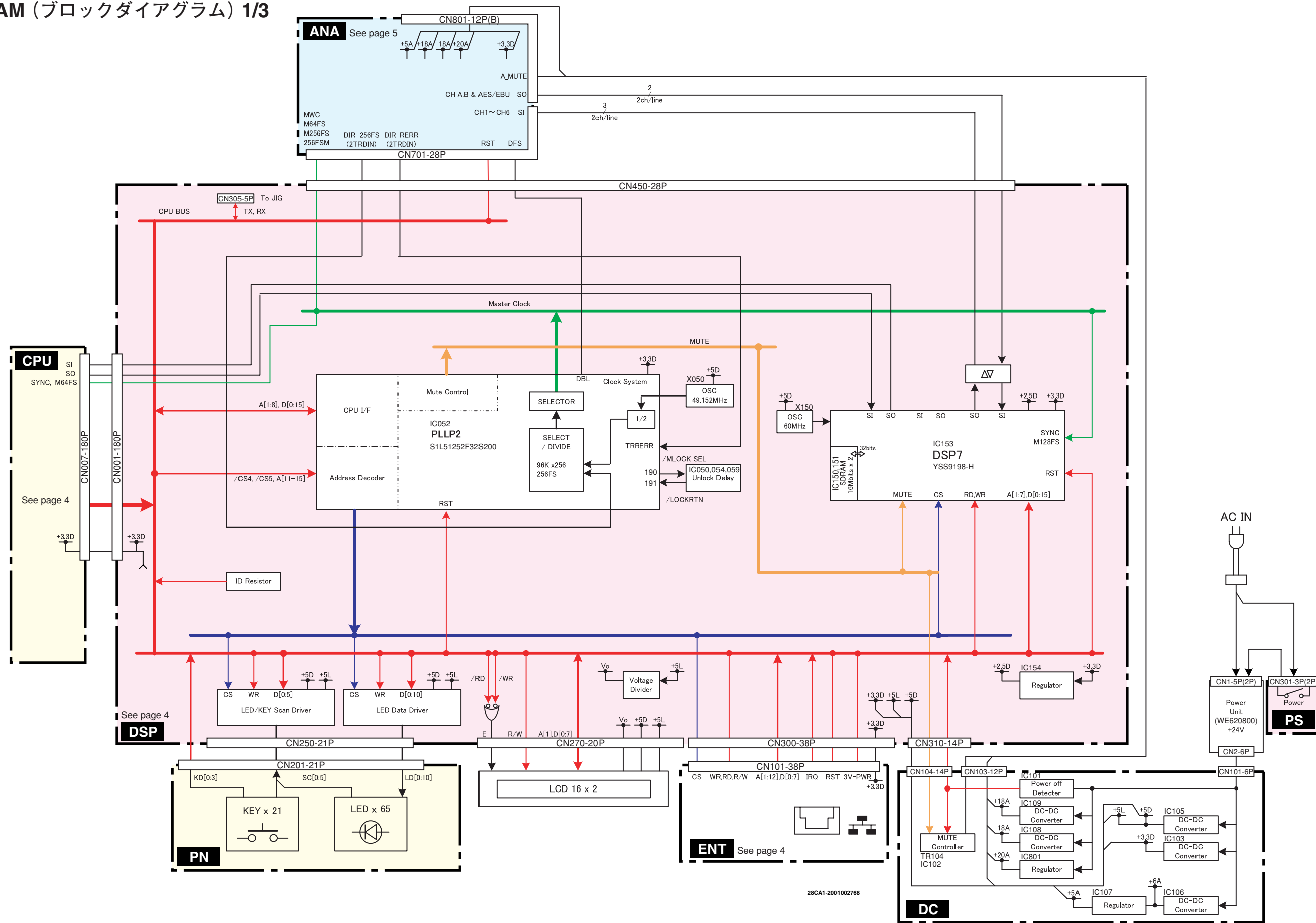
LEVEL DIAGRAM (レベルダイアグラム)



[0dBu = 0.775Vrms]
 [0dBFS = Full Scale]

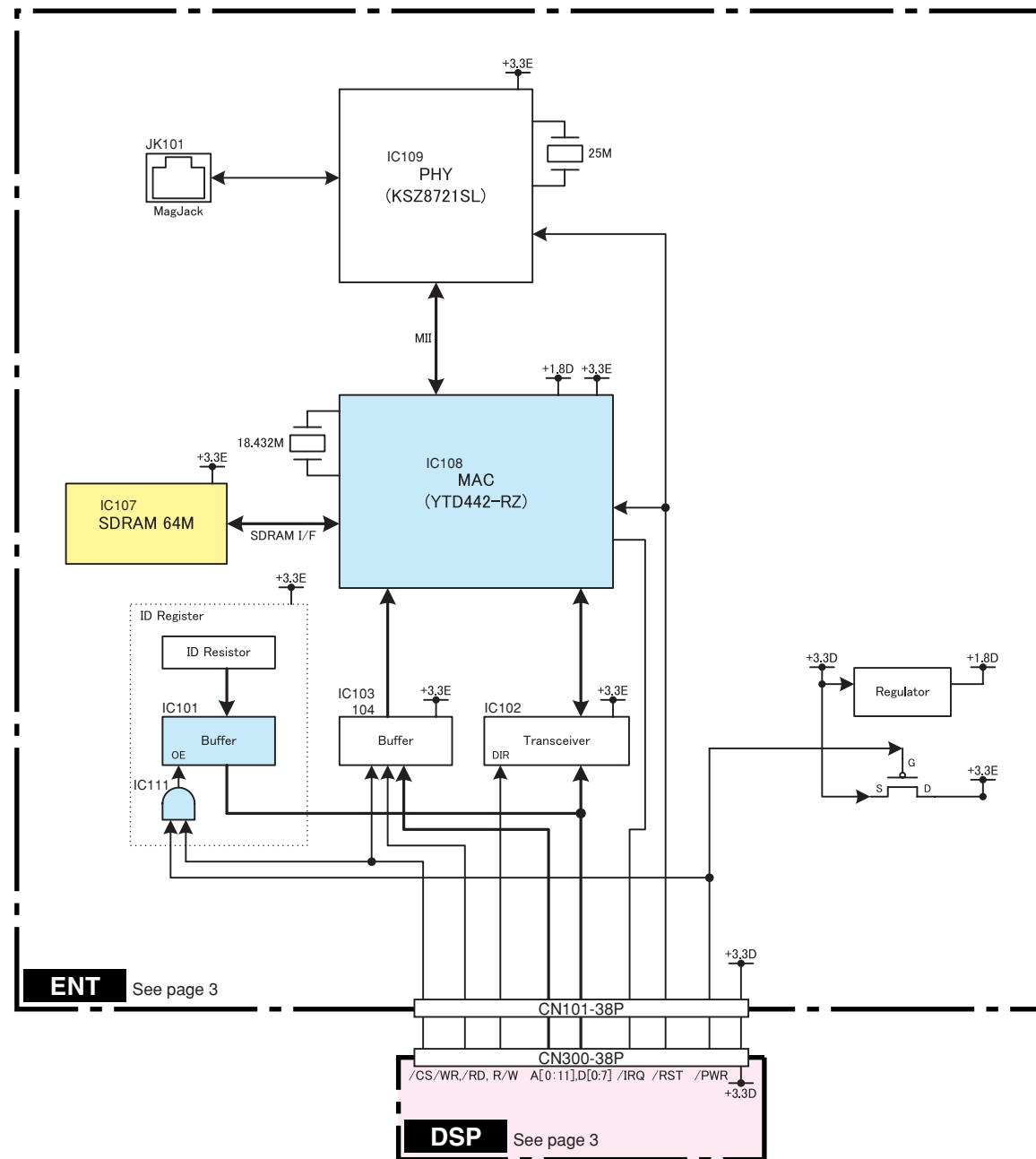
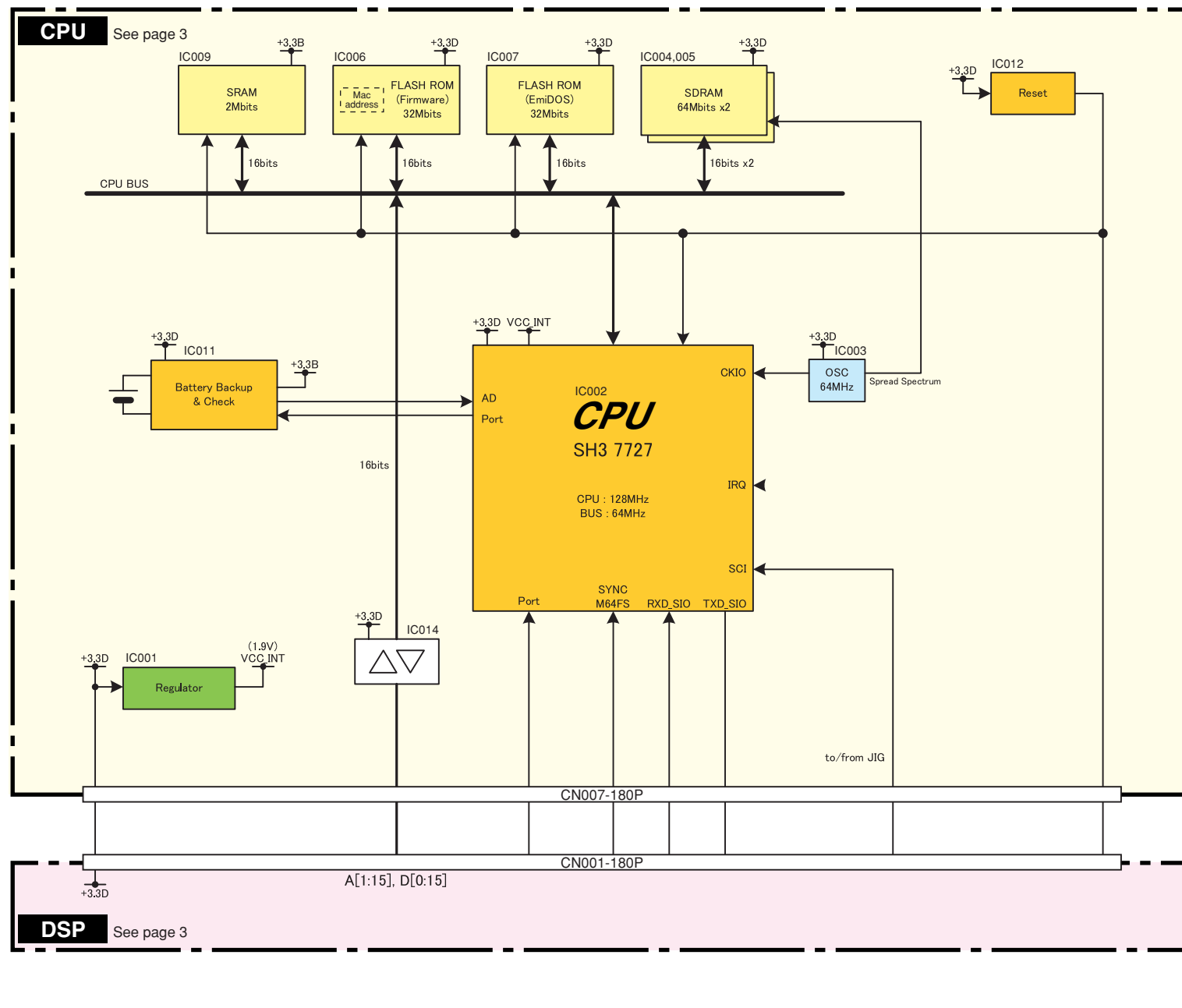
Analog output load : 600 Ω アナログ出力の負荷抵抗 : 600 Ω
 Oscillator output impedance : 150 Ω 発振器の出力インピーダンス : 150 Ω

■ BLOCK DIAGRAM (ブロックダイアグラム) 1/3



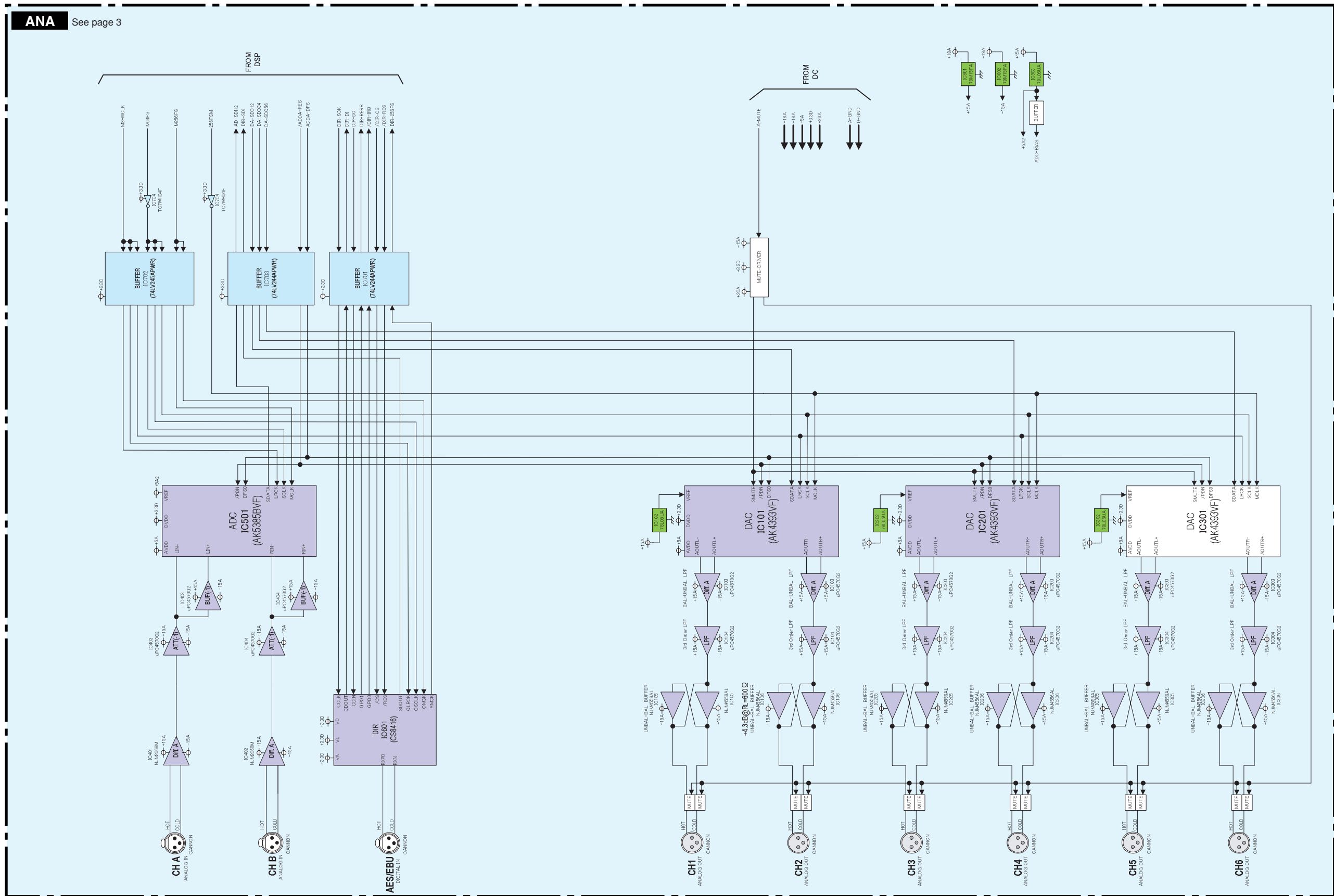
28CA1-2001002768

■ BLOCK DIAGRAM (ブロックダイアグラム) 2/3



28CA1-2001002768

BLOCK DIAGRAM (ブロックダイアグラム) 3/3



ANA See page 3

1

2

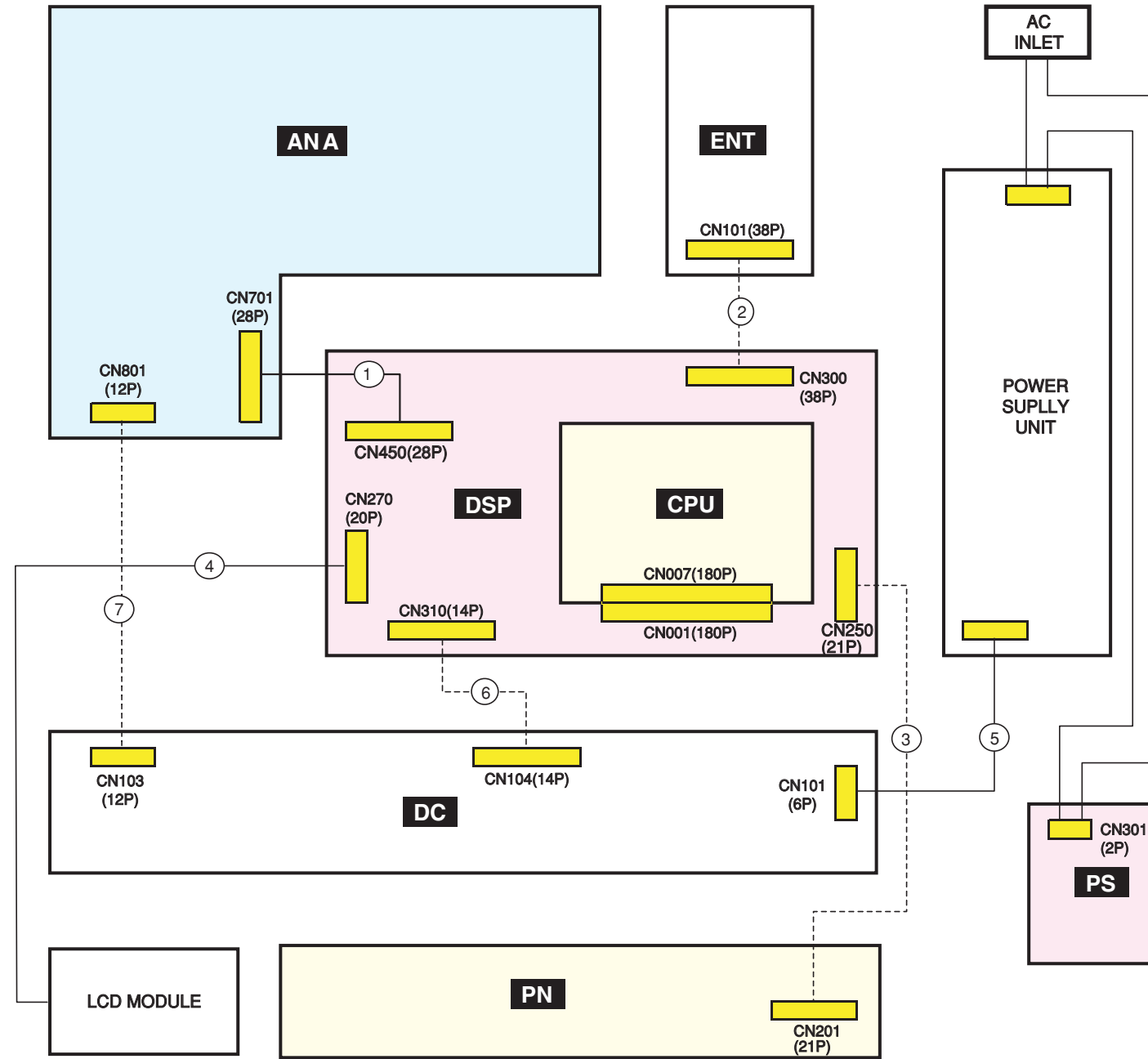
3

4

5

28CA1-2001002768

■ WIRING DIAGRAM (基板結線図)



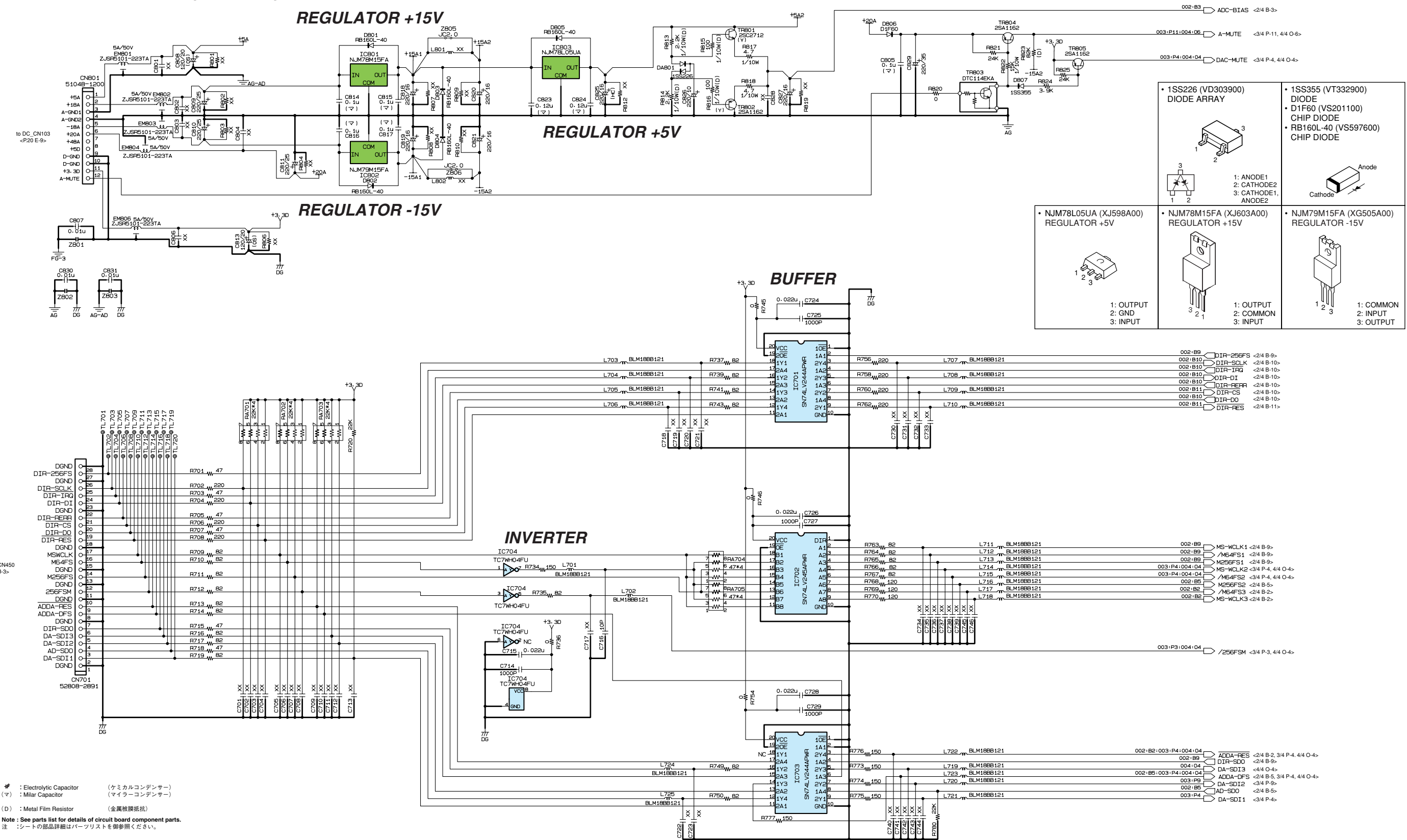
----- indicates that the connector assembly is installed on the circuit board.
 ----- は束線がシートに実装されていることを表しています。

No.	Part No.	Assembly Name 線材名	Connection 接続	Remarks 備考	Ref No.
①	WG477600	Flexible Flat Cable バンカード	ANA-CN701 <-> DSP-CN450	28P-100	270
②	WG477700	Flexible Flat Cable バンカード	ENT-CN101 <-> DP-CN300	38P-60	520
③	WG477500	Flexible Flat Cable バンカード	DSP-CN250 <-> PN-CN201	21P-180	580
④	WG477400	Flexible Flat Cable バンカード	DSP-CN270 <-> LCD	20P-220	650
⑤	WC231700	Connector Assembly 束線 #20	DC-CN101 <-> PSU	6P-100	800
⑥	WC958600	Connector Assembly 束線 #24	DSP-CN310 <-> DC-CN104	14P-100	CN104
⑦	(WB24620)	Jumper Wire ジャンパーワイヤー	ANA-CN801 <-> DC-CN103	12P-150	W801

The parts with "()" in "Parts Number" is not available as service parts.
 部品番号に“()”がついている部品は、サービス部品として準備されていません。

28CA1-2001002768

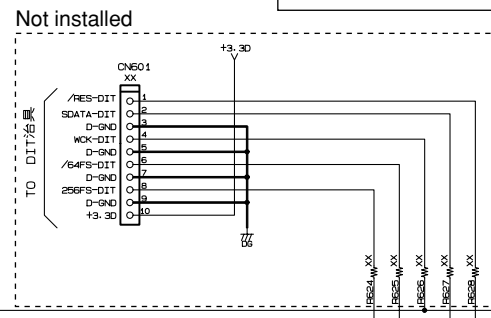
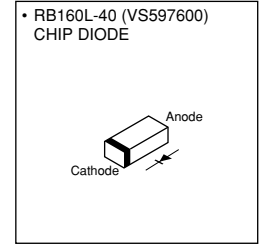
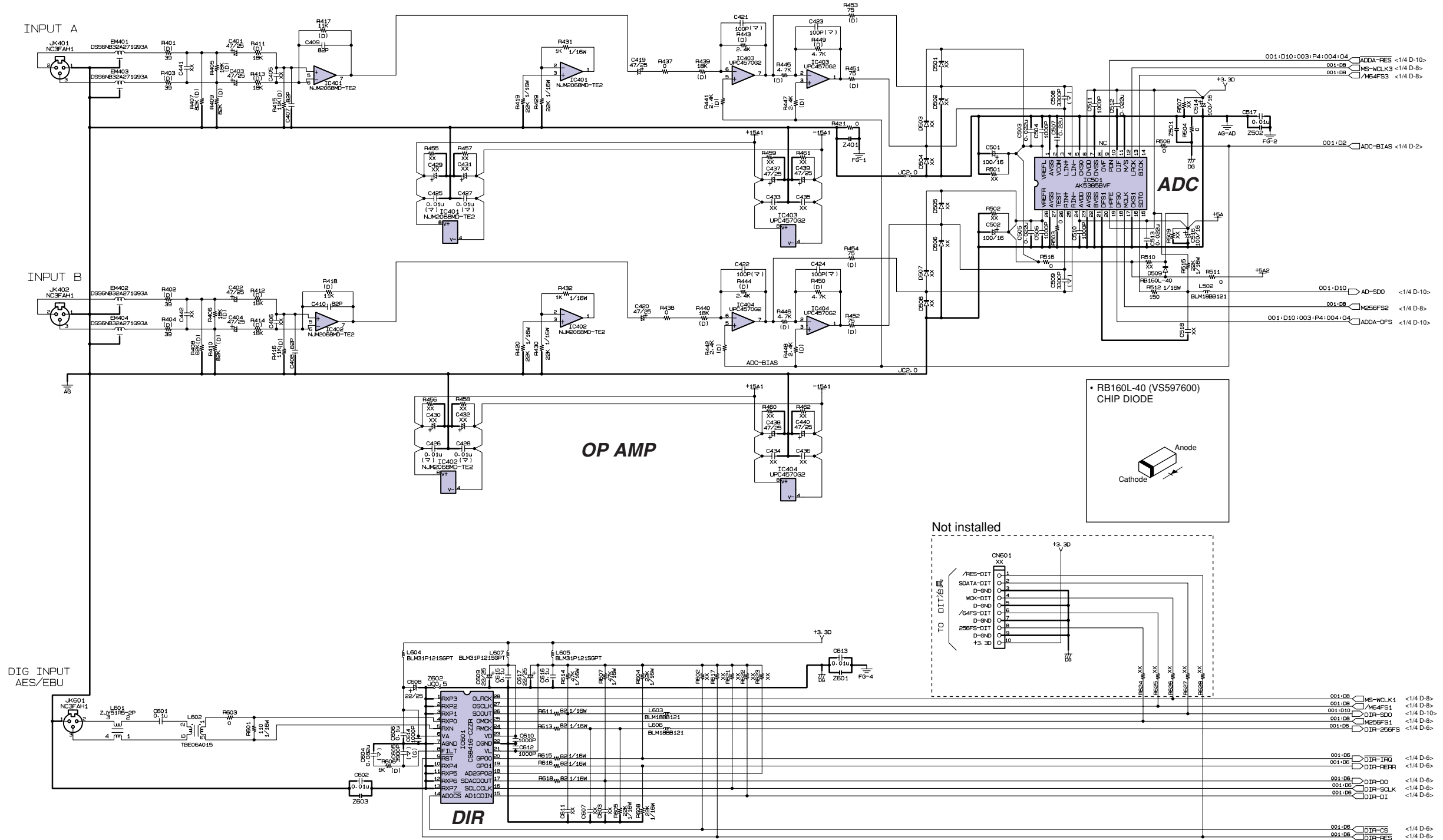
CIRCUIT DIAGRAM 1/15 (ANA 1/4)



<p>• 1SS226 (VD303900) DIODE ARRAY</p> <p>1: ANODE1 2: CATHODE1 3: CATHODE2, ANODE2</p>	<p>• 1SS355 (VT332900) DIODE</p> <p>• D1F60 (VS201100) CHIP DIODE</p> <p>• RB160L-40 (VS597600) CHIP DIODE</p> <p>Anode Cathode</p>
<p>• NJM78L05UA (XJ598A00) REGULATOR +5V</p> <p>1: OUTPUT 2: GND 3: INPUT</p>	<p>• NJM78M15FA (XJ603A00) REGULATOR +15V</p> <p>1: OUTPUT 2: COMMON 3: INPUT</p>
	<p>• NJM79M15FA (XG505A00) REGULATOR -15V</p> <p>1: COMMON 2: INPUT 3: OUTPUT</p>

Components marked XX are not installed.
 定数XXは実装しない部品を示す。
 抵抗許容差: 無記入品=J
 抵抗電力定格: 無記入品=1/16W
 抵抗種別: (D)=金属CP品、公差無記入=厚膜CP品、
 コンデンサー許容差: マイラー=J、セラコン1000pF以上=K、セラコン100pF以下=D、ケミコン=M

1 ■ CIRCUIT DIAGRAM 2/15 (ANA 2/4)



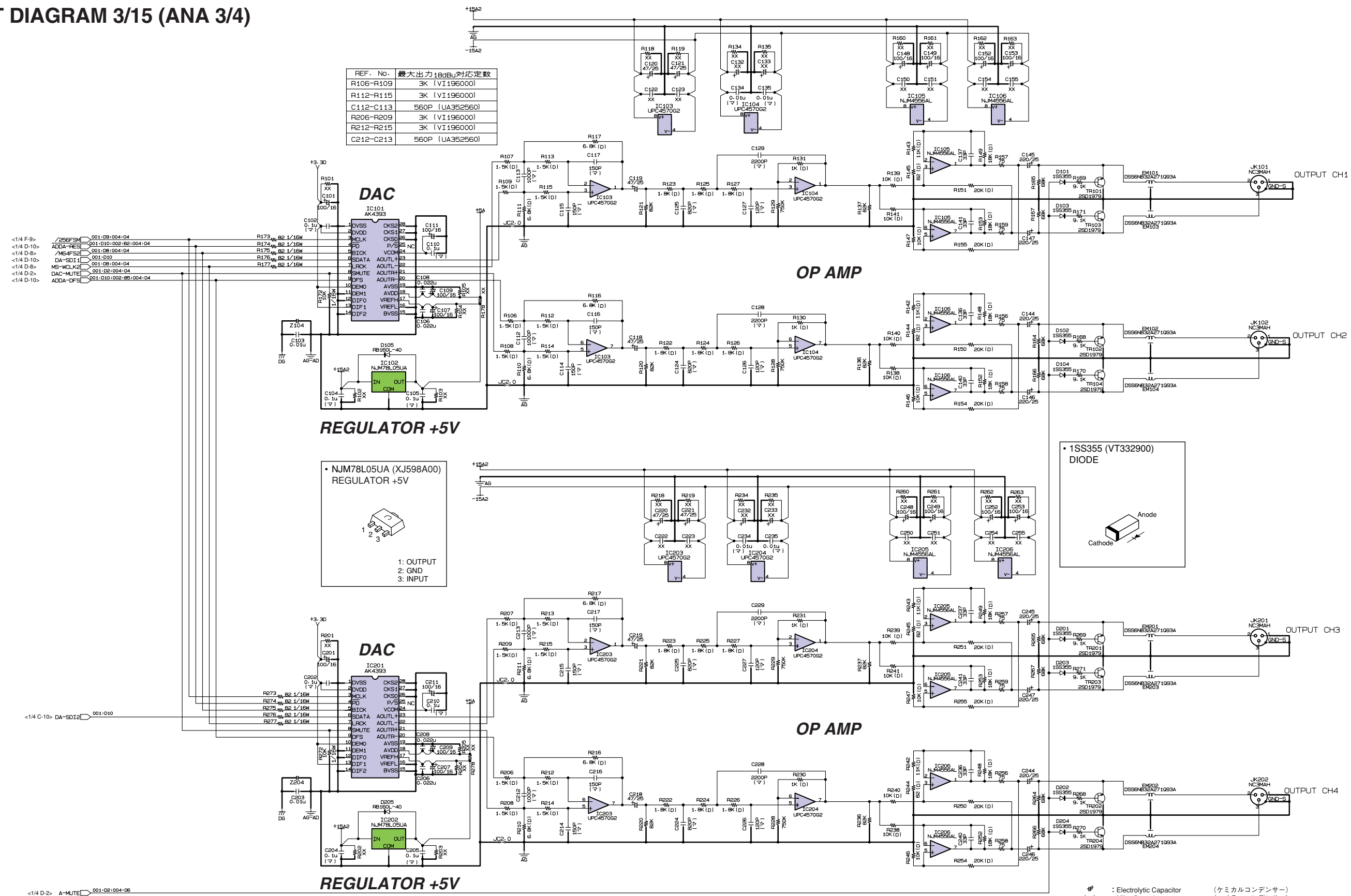
- 001:DB MS-WCLK1 <1/4 D-8>
- 001:DB MS-WCLK3 <1/4 D-8>
- 001:DB /M64FS3 <1/4 D-8>
- 001:DB ADDA-RES <1/4 D-10>
- 001:DB ADDA-DFS <1/4 D-10>
- 001:DB ADDA-DO <1/4 D-10>
- 001:DB M256FS2 <1/4 D-8>
- 001:DB M256FS1 <1/4 D-8>
- 001:DB DIR-256FS <1/4 D-8>
- 001:DB DIR-TRG <1/4 D-8>
- 001:DB DIR-REPR <1/4 D-8>
- 001:DB DIR-DO <1/4 D-8>
- 001:DB DIR-SCLK <1/4 D-8>
- 001:DB DIR-DI <1/4 D-8>
- 001:DB DIR-CS <1/4 D-8>
- 001:DB DIR-FES <1/4 D-8>

: Electrolytic Capacitor (ケミカルコンデンサー)
 (マ) : Milar Capacitor (マイラーコンデンサー)
 (G) :
 (D) : Metal Film Resistor (金属被膜抵抗)

Components marked XX are not installed.
 定数xxは実装しない部品を示す。
 抵抗許容差:無記入品=J
 抵抗電力定格:無記入品=1/10W
 抵抗種別:(D)=金被膜品、公差無記入=厚膜CP品
 コンデンサー許容差:公差無記入マイラー=J、セラコン1000pF以上=K、セラコン100 pF以下=D、ケミコン=M

Note : See parts list for details of circuit board component parts.
 注 : シートの部品詳細はパーツリストを御参照ください。

CIRCUIT DIAGRAM 3/15 (ANA 3/4)



REF. No.	最大出力18dBu対応定数
R106-R109	3K (VI196000)
R112-R115	3K (VI196000)
C112-C113	560P (UA352560)
R206-R209	3K (VI196000)
R212-R215	3K (VI196000)
C212-C213	560P (UA352560)

<1/4 F-9> /25EF5M 001:09:004:04
 <1/4 D-10> ADDA-FES2 001:09:002:004:04
 /M64F52 001:09:004:04
 <1/4 D-8> DA-SDI1 001:D0:004:04
 <1/4 D-10> MS-WLK2 001:D0:004:04
 <1/4 D-8> DAC-MUTE 001:D0:004:04
 <1/4 D-2> ADDA-DFS 001:D10:002:004:04

<1/4 C-10> DA-SDI2 001:010

<1/4 D-2> A-MUTE 001:02:004:06

REGULATOR +5V

• NJM78L05UA (XJ598A00)
REGULATOR +5V

1: OUTPUT
2: GND
3: INPUT

REGULATOR +5V

OP AMP

OP AMP

• 1SS355 (VT332900)
DIODE

Anode
Cathode

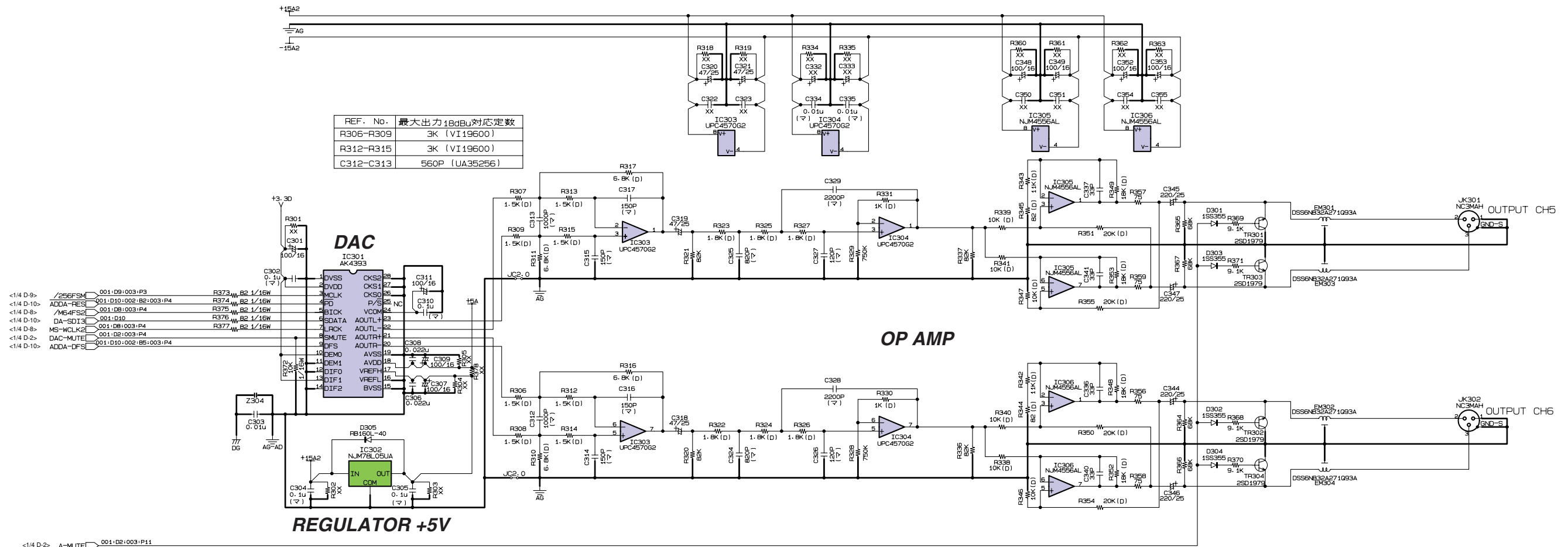
Components marked XX are not installed.
 定数XXは実装しない部品を示す。
 抵抗許容差: 無記入=J
 抵抗電力定格: 無記入=1/10W
 抵抗種類: (D)=金属膜品、公差無記入=厚膜品
 コンデンサー許容差: マイラー=M、セラコン1000pF以上=K、セラコン100pF以下=D、タミコン=M

: Electrolytic Capacitor (ケミカルコンデンサー)
 (マ) : Milar Capacitor (マイラーコンデンサー)
 (D) : Metal Film Resistor (金属膜抵抗)

Note : See parts list for details of circuit board component parts.
 注 : シートの部品詳細はパーツリストを御参照ください。

28CC1-2001002775-3

CIRCUIT DIAGRAM 4/15 (ANA 4/4)



REF. No.	最大出力18dBu対応定数
R306-R309	3K (VI19600)
R312-R315	3K (VI19600)
C312-C313	560P (UA35256)

• NJM78L05UA (XJ598A00)
REGULATOR +5V

1: OUTPUT
2: GND
3: INPUT

• 1SS355 (VT332900)
DIODE

Anode
Cathode

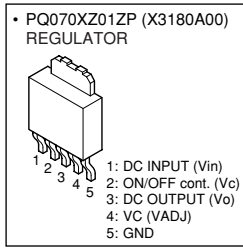
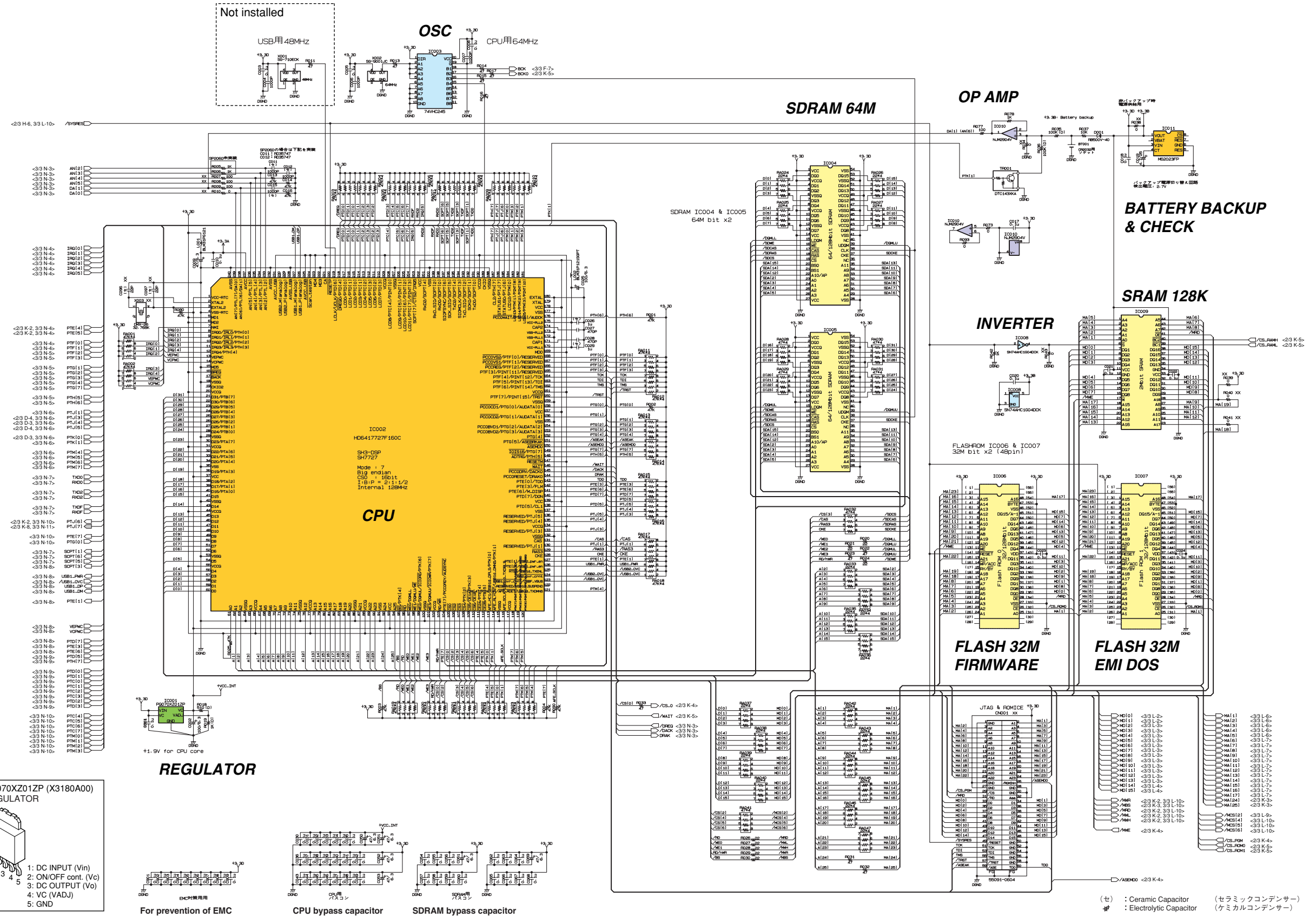
Components marked XX are not installed.
定数XXは実装しない部品を示す。
抵抗許容差：無記入品 = J
抵抗電力定格：無記入品 = 1/10W
抵抗種別：(D) = 金属CP品、公差無記入 = 厚膜CP品
コンデンサー許容差：マイラー = J、セラコン1000pF以上 = K、セラコン100pF以下 = D、ケミコン = M

: Electrolytic Capacitor (ケミカルコンデンサー)
(マ) : Millar Capacitor (マイラーコンデンサー)
(D) : Metal Film Resistor (金属被膜抵抗)

Note : See parts list for details of circuit board component parts.
注 : シートの部品詳細はパーツリストを御参照ください。

28CC1-2001002775-4

CIRCUIT DIAGRAM 5/15 (CPU 1/3)



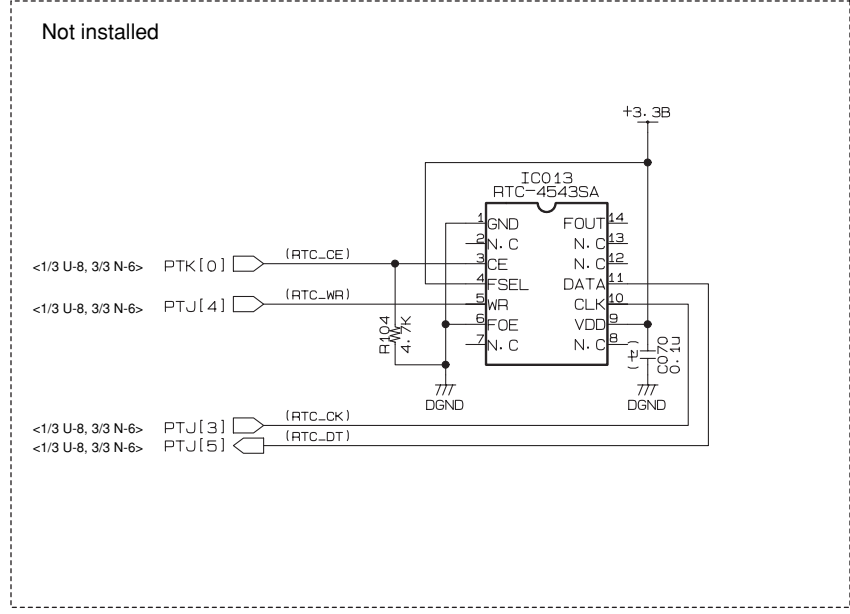
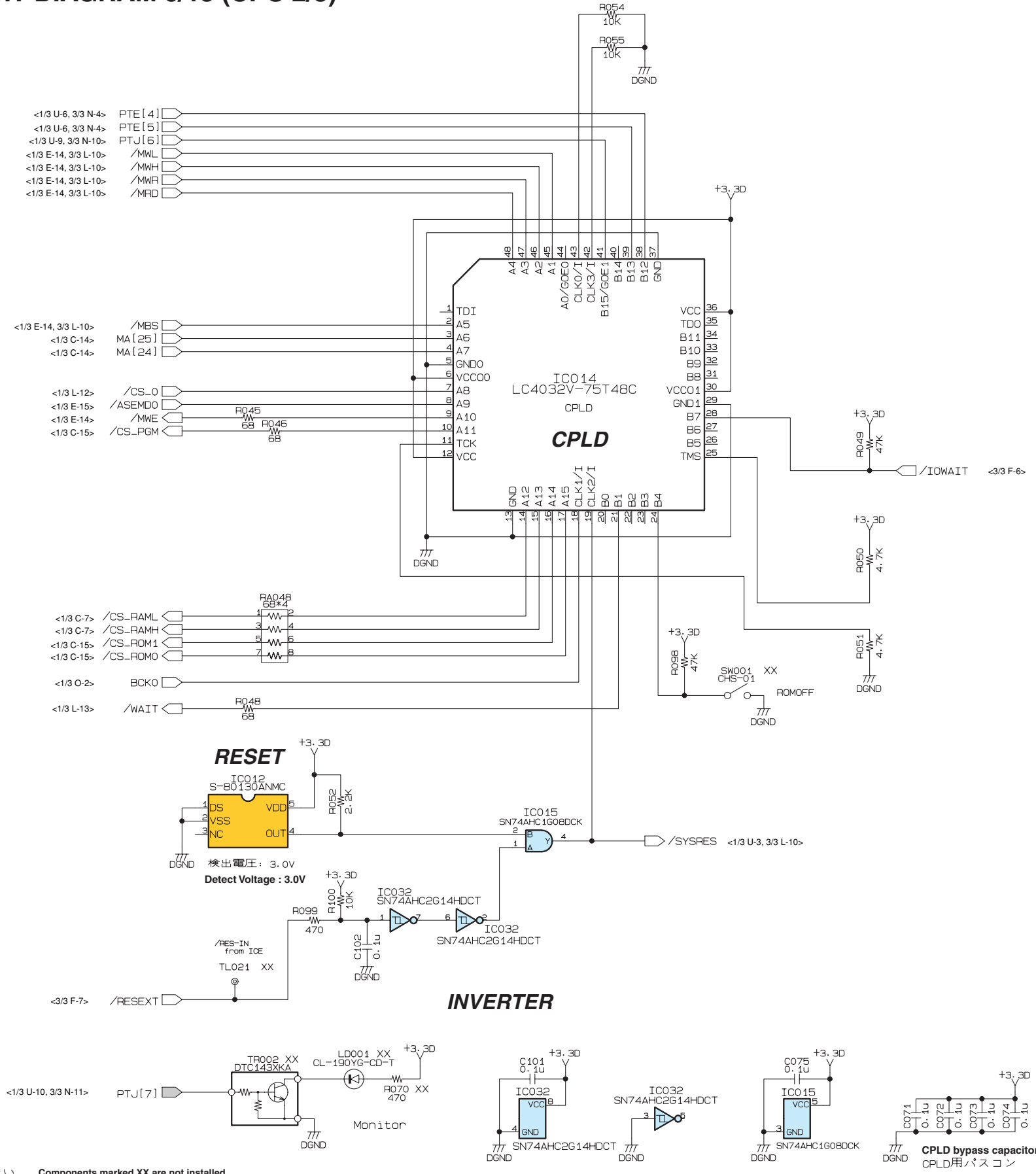
(O) : チップ実装済
 XX : 実装しない
 Components marked XX are not installed.

(セ) : Ceramic Capacitor (セラミックコンデンサー)
 # : Electrolytic Capacitor (ケミカルコンデンサー)
 (D) : Metal Film Resistor (金属被膜抵抗)

Note : See parts list for details of circuit board component parts.
 注 : シートの部品詳細はパーツリストを御参照ください。

28CC1-2001004394-1

1 ■ CIRCUIT DIAGRAM 6/15 (CPU 2/3)

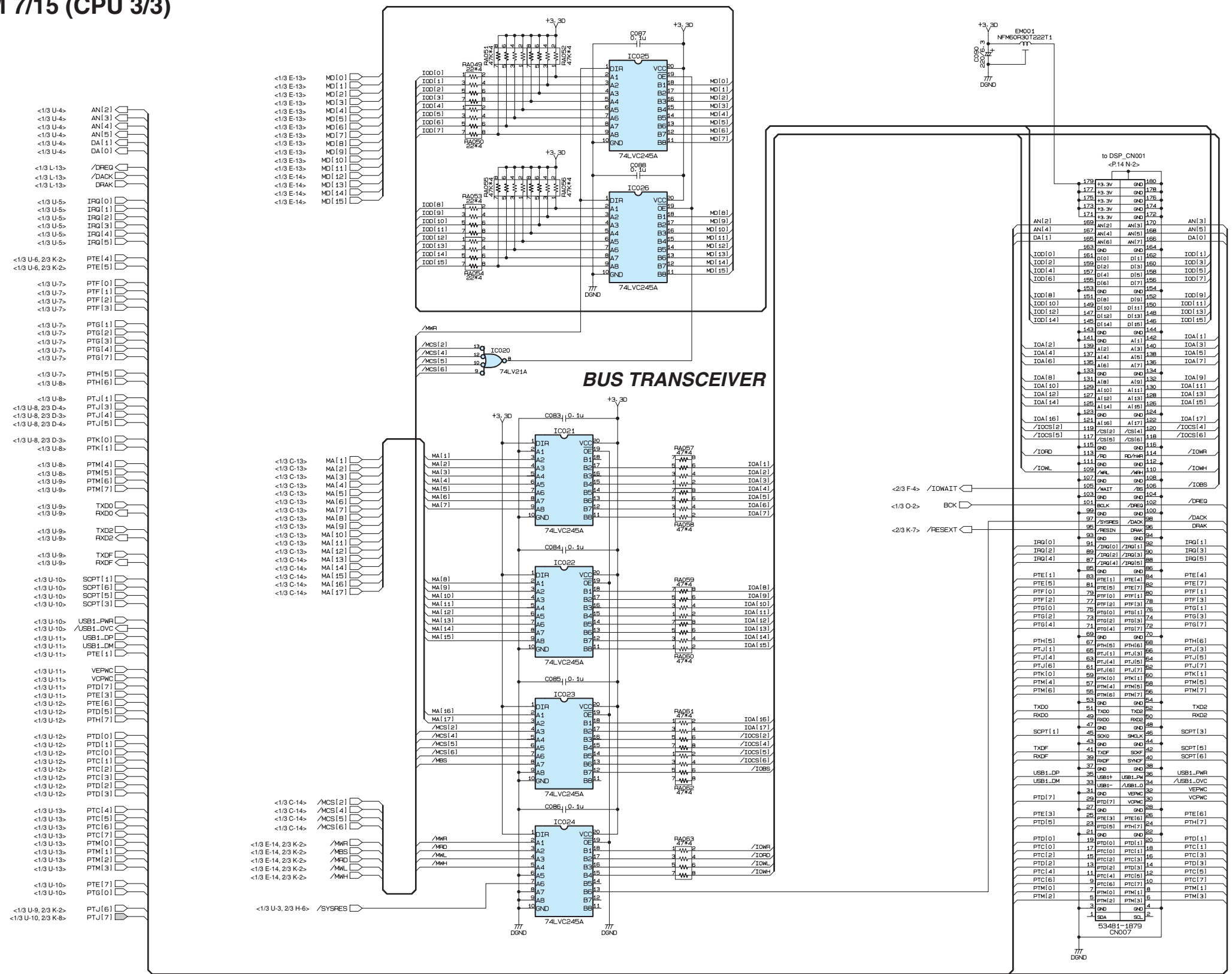


XX: 実装しない Components marked XX are not installed.

Note: See parts list for details of circuit board component parts.
注: シートの部品詳細はパーツリストを御参照ください。

28CC1-2001004394-2

CIRCUIT DIAGRAM 7/15 (CPU 3/3)



XX: 実装しない Components marked XX are not installed.

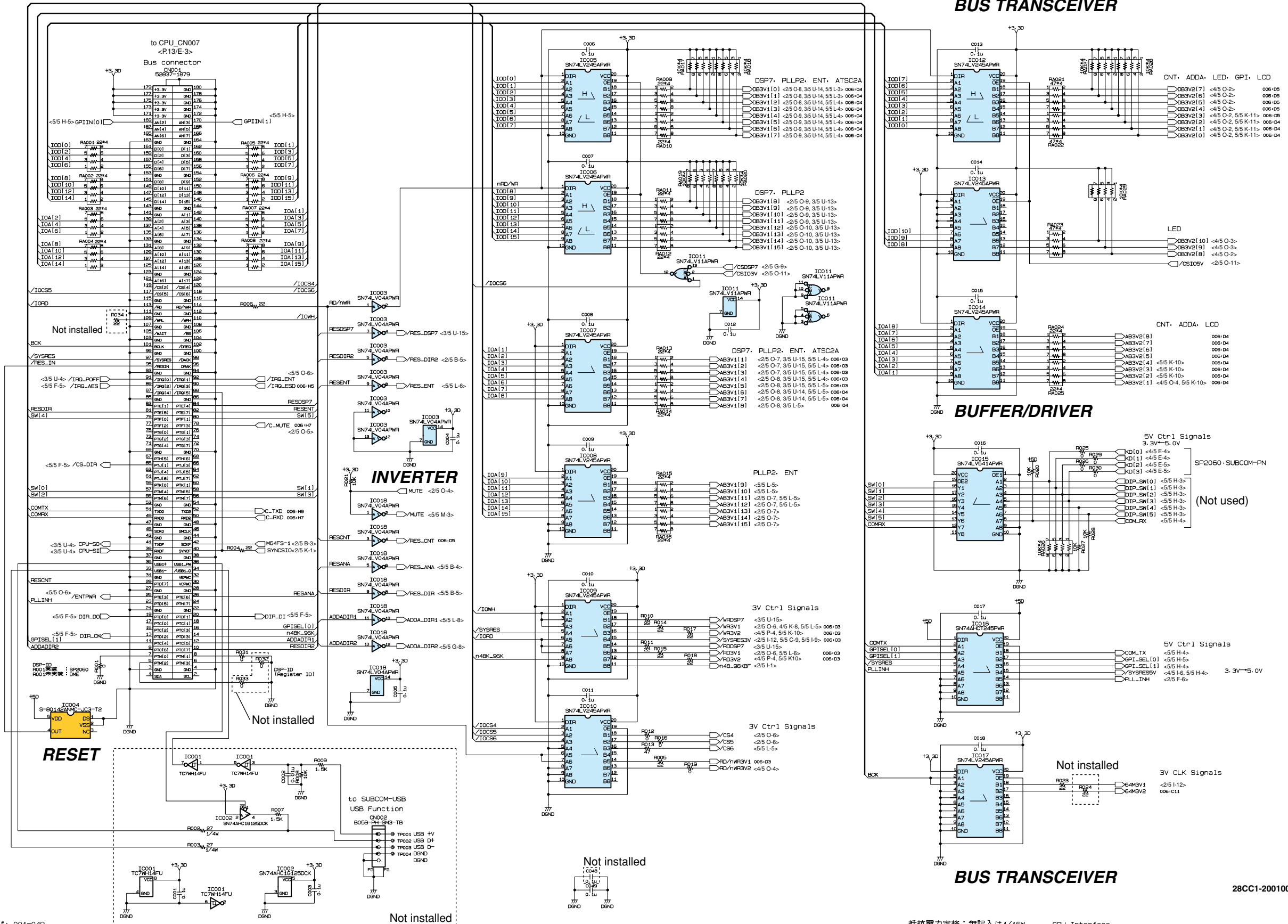
: Electrolytic Capacitor (ケミカルコンデンサー)

Note : See parts list for details of circuit board component parts.
注 : シートの部品詳細はパーツリストを御参照ください。

CIRCUIT DIAGRAM 8/15 (DSP 1/5)

BUS TRANSCEIVER

BUS TRANSCEIVER

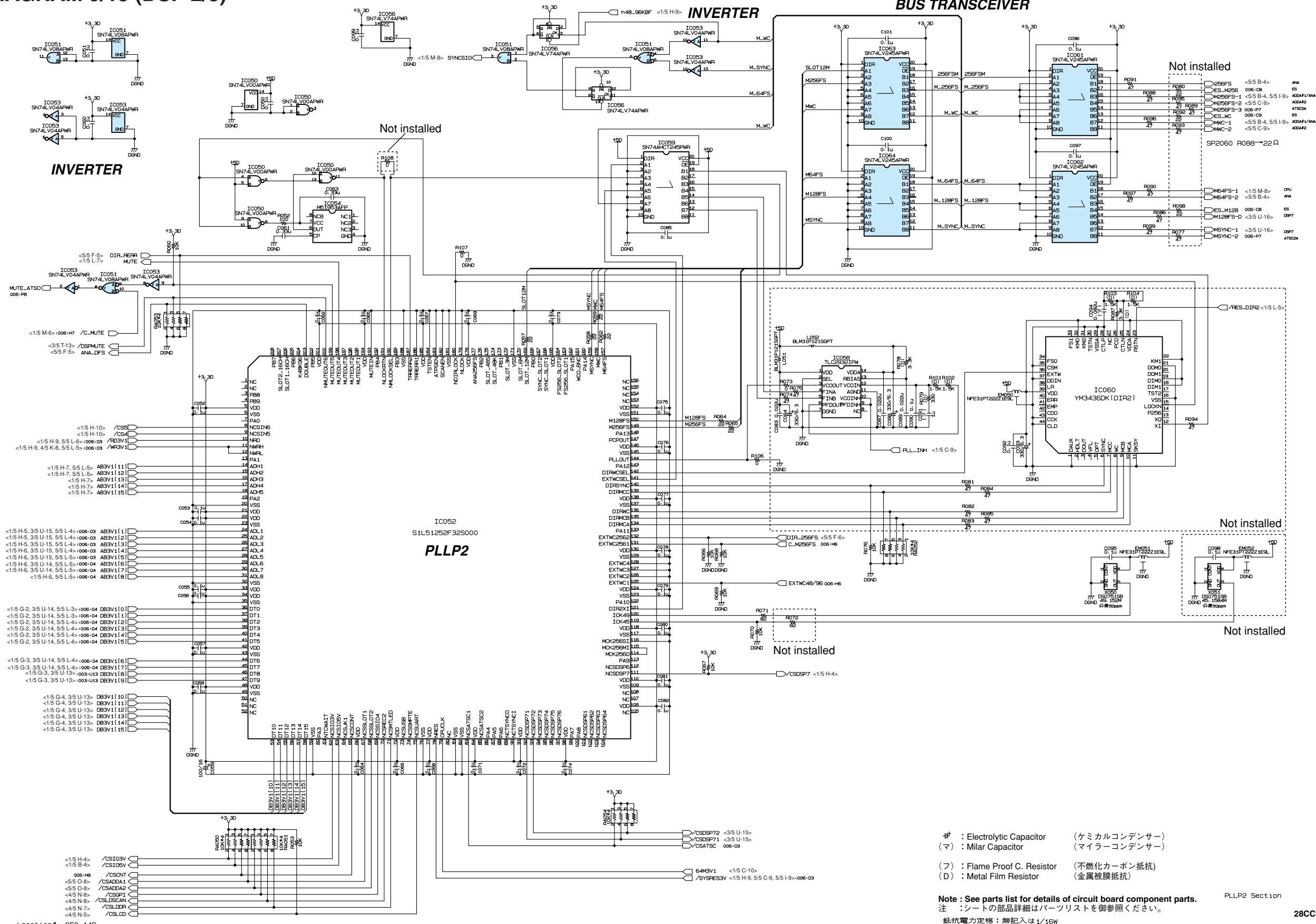


Location#: 001-049

28CC1-2001002770-1

抵抗電力定格: 無記入は1/16W CPU Interface

CIRCUIT DIAGRAM 9/15 (DSP 2/5)



: Electrolytic Capacitor (ケミカルコンデンサー)
 (マ) : Milar Capacitor (マイラーコンデンサー)
 (フ) : Flame Proof C. Resistor (不燃化カーボン抵抗)
 (D) : Metal Film Resistor (金属被膜抵抗)

Note : See parts list for details of circuit board component parts.
 注 : シートの部品詳細はパーツリストを御参照ください。

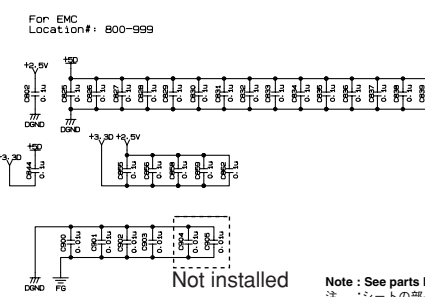
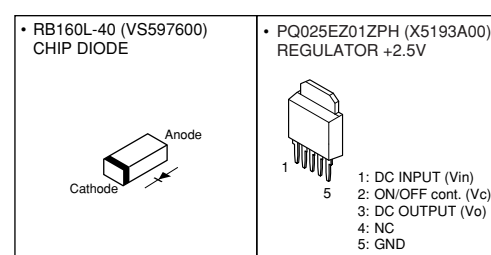
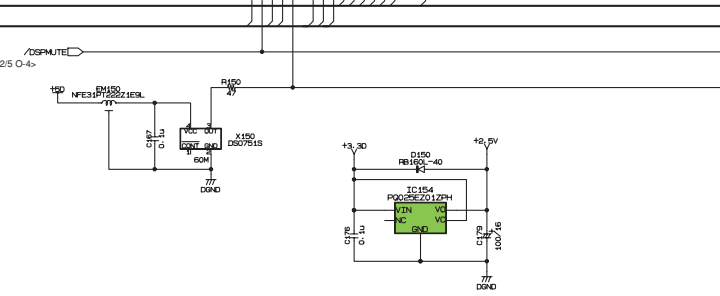
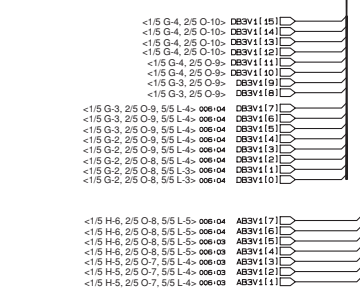
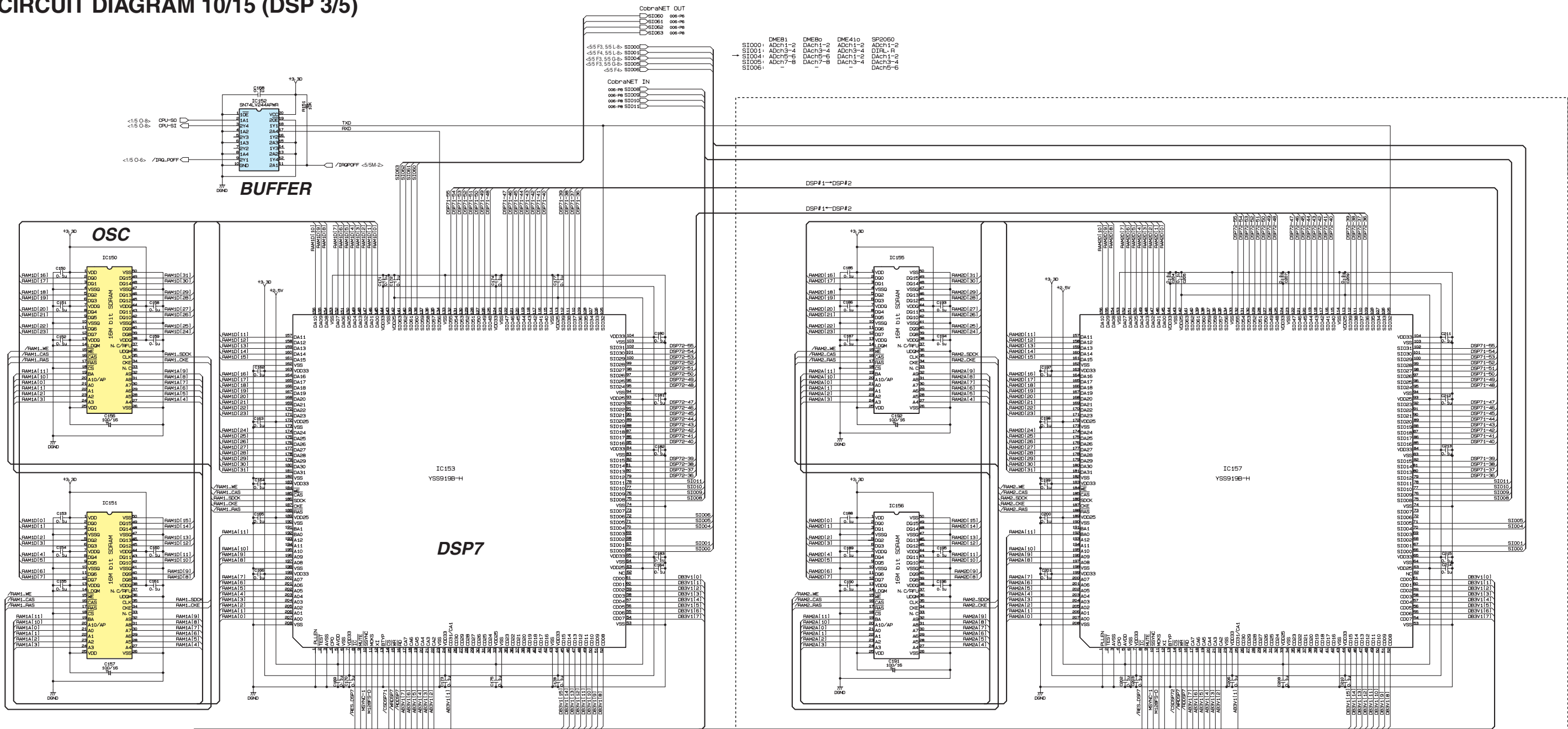
PLL2 Section

抵抗電力定格 : 無記入は 1/16W

Location#: 050-149

28CC1-2001002770-2

CIRCUIT DIAGRAM 10/15 (DSP 3/5)



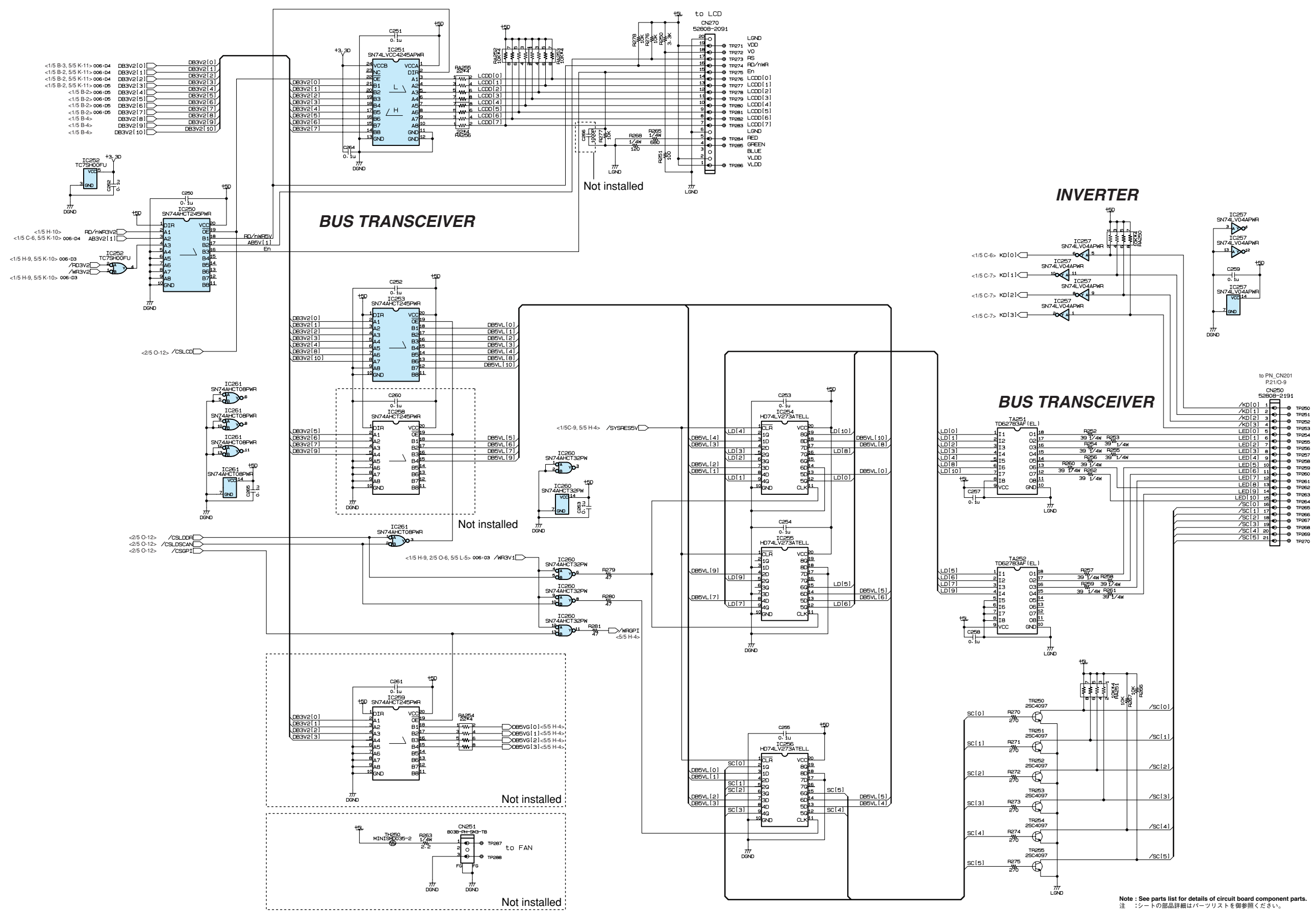
Not installed

Location #: 150-249

DSP7 Section
28CC1-2001002770-3

抵抗電力定格: 無記入は1/16W

CIRCUIT DIAGRAM 11/15 (DSP 4/5)

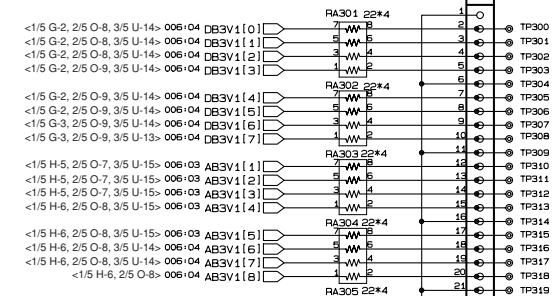
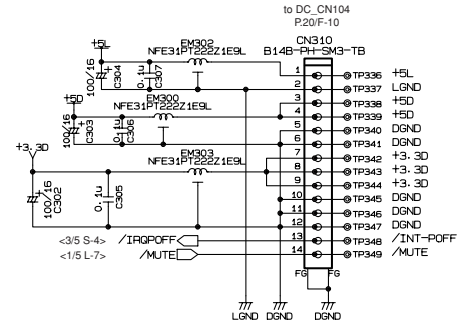


Note : See parts list for details of circuit board component parts.
注 : シートの部品詳細はパーツリストを御参照ください。

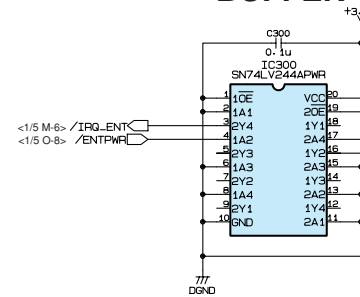
28CC1-2001002770-4

CIRCUIT DIAGRAM 12/15 (DSP 5/5)

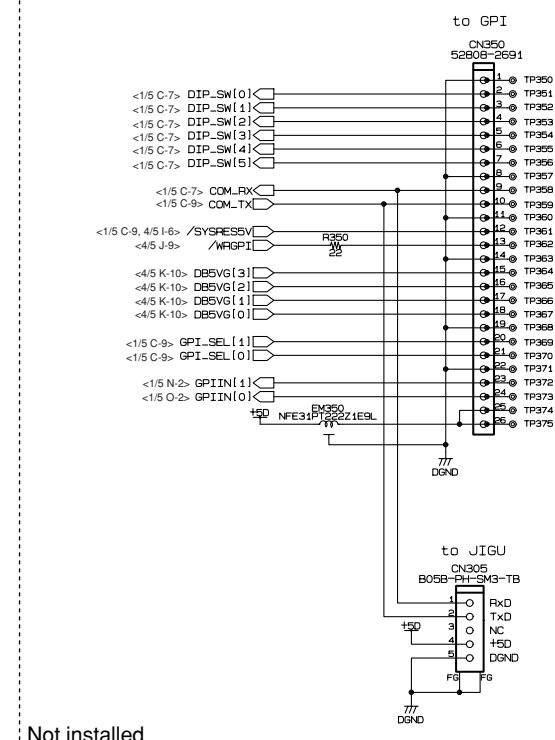
Location#: 300-349



BUFFER



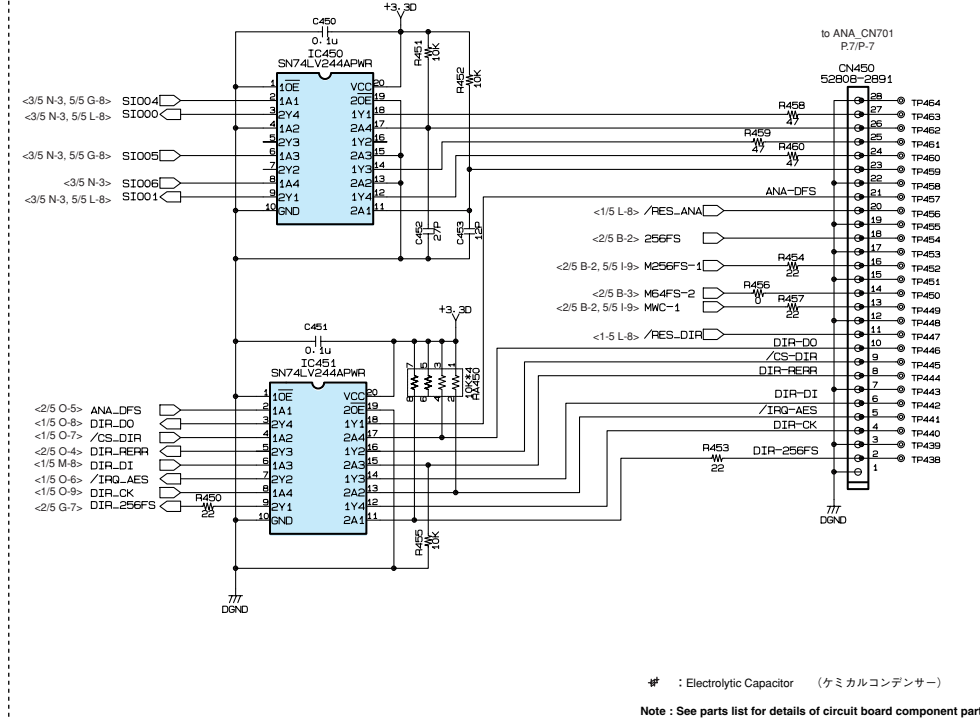
Location#: 350-399



Not installed

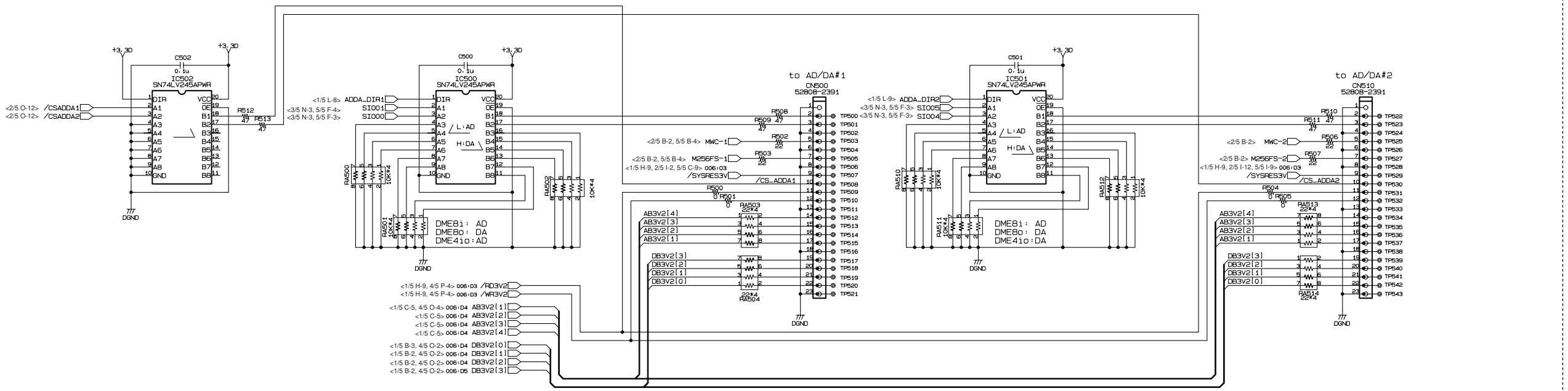
Location#: 450-499

BUFFER



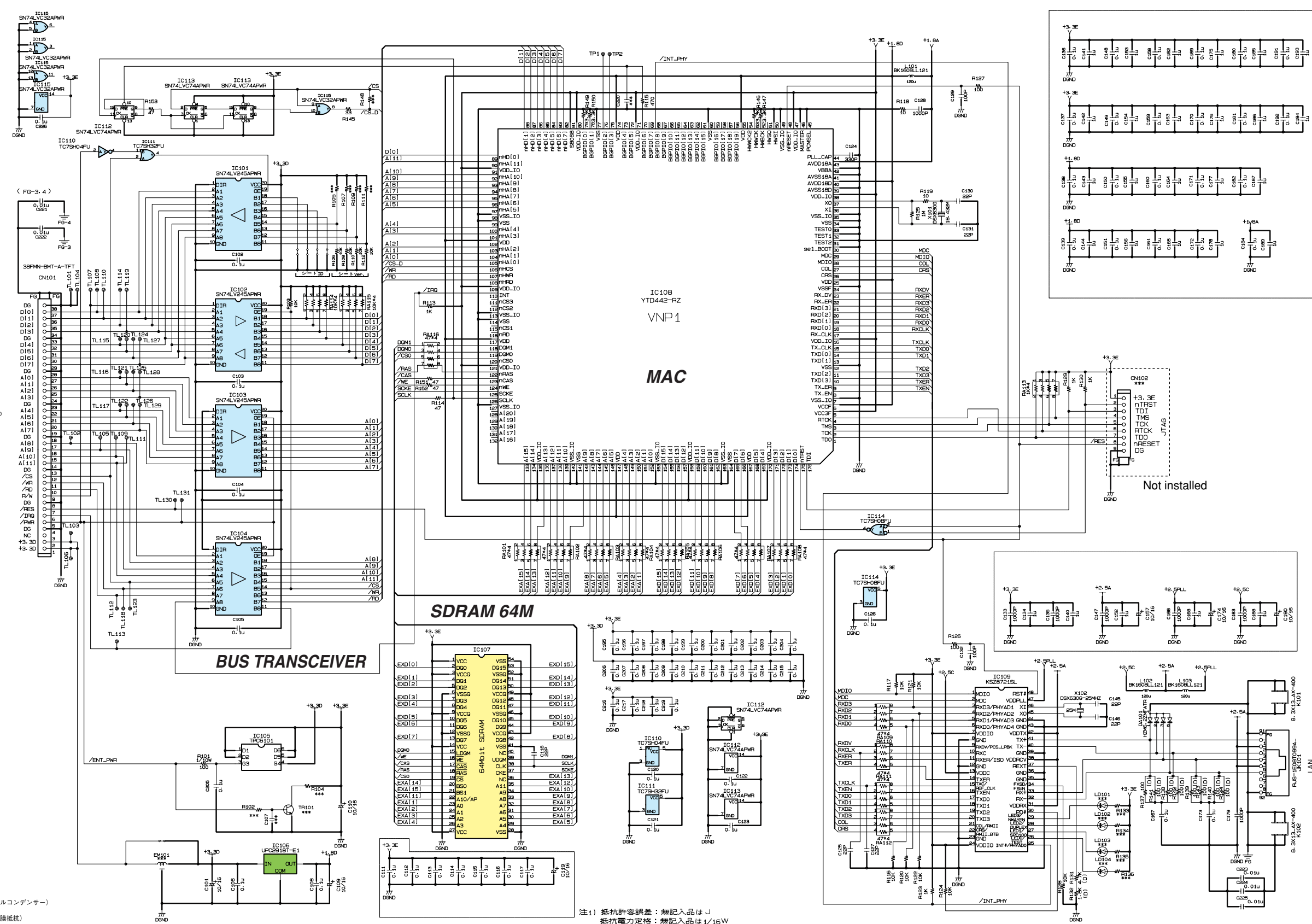
: Electrolytic Capacitor (ケミカルコンデンサー)
 Note : See parts list for details of circuit board component parts.
 注 : シートの部品詳細はパーツリストを御参照ください。

Location#: 500-549



Not installed

CIRCUIT DIAGRAM 13/15 (ENT)



• HZM6.2ZMFA (WE972600)
ZENER DIODE

• μ PC2918T-E1 (X2157A00)
REGULATOR +1.8V

1: INPUT
2: GND
3: OUTPUT
4: GND

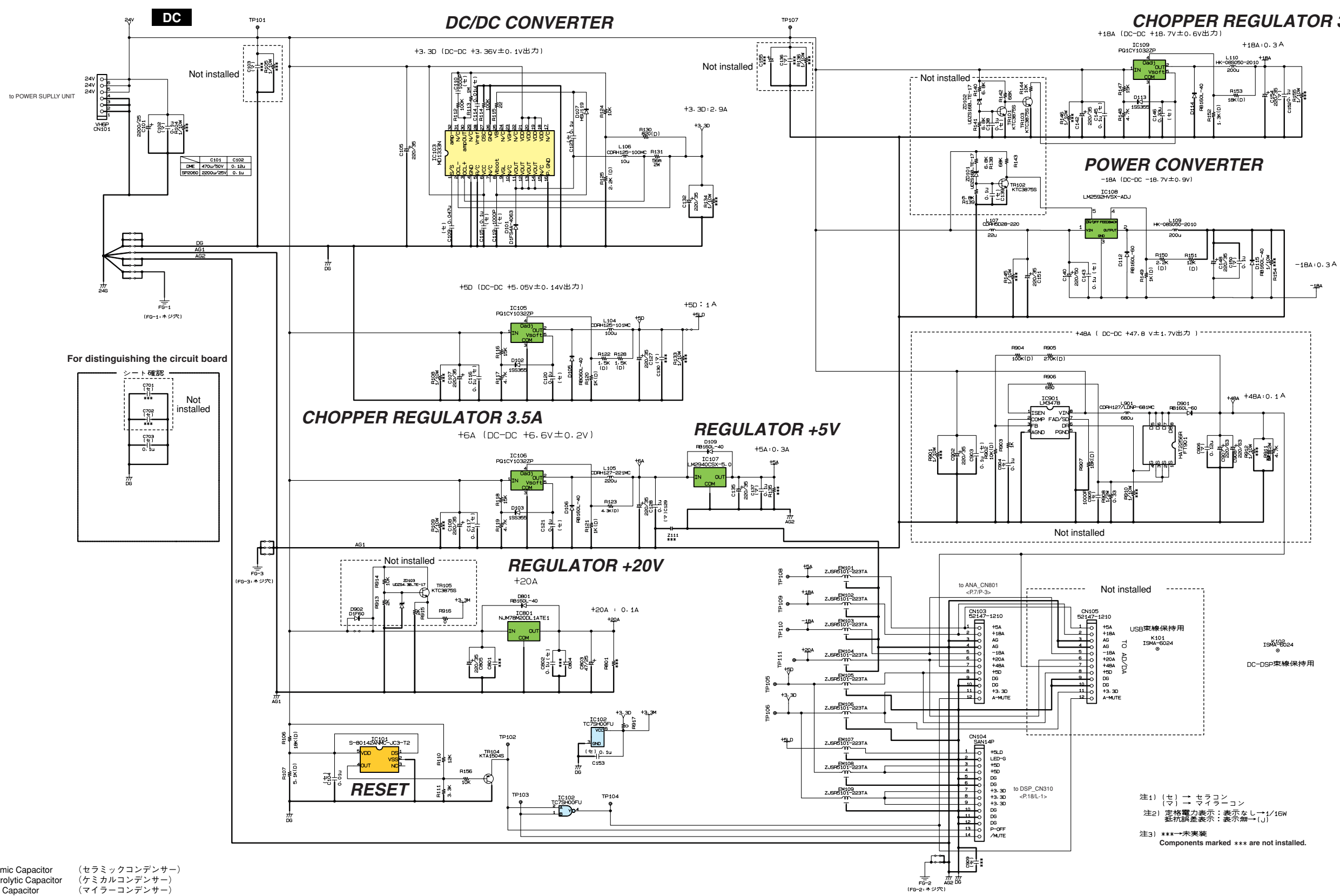
: Electrolytic Capacitor (ケミカルコンデンサー)
 (D) : Metal Film Resistor (金属膜抵抗)
 Note : See parts list for details of circuit board component parts.
 注 : シートの部品詳細はパーツリストを御参照ください。

REGULATOR +1.8V

注1) 抵抗許容誤差: 無記入品は J
 抵抗電力定格: 無記入品は 1/16W
 注2) **: 未実装
 Components marked *** are not installed.

PHY CEIVER

CIRCUIT DIAGRAM 14/15 (DC)



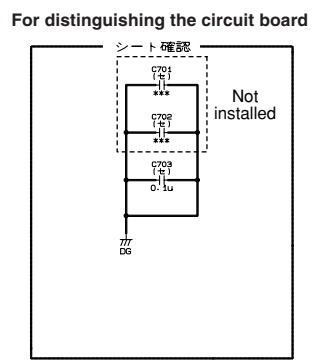
- RB160L-40 (VS597600) CHIP DIODE
- RB160L-60 (V8409200) CHIP DIODE

- LM2940CSX-5.0 (X4366A00) REGULATOR +5V

1: INPUT
2: GND
3: OUTPUT

- NJM78M20DL1A (X4368A00) REGULATOR +20V

1: INPUT
2: GND
3: OUTPUT

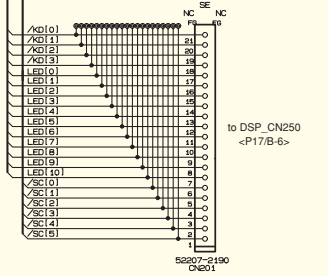
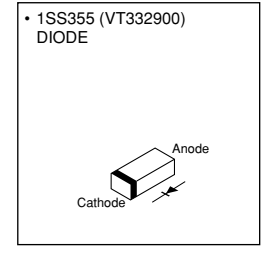
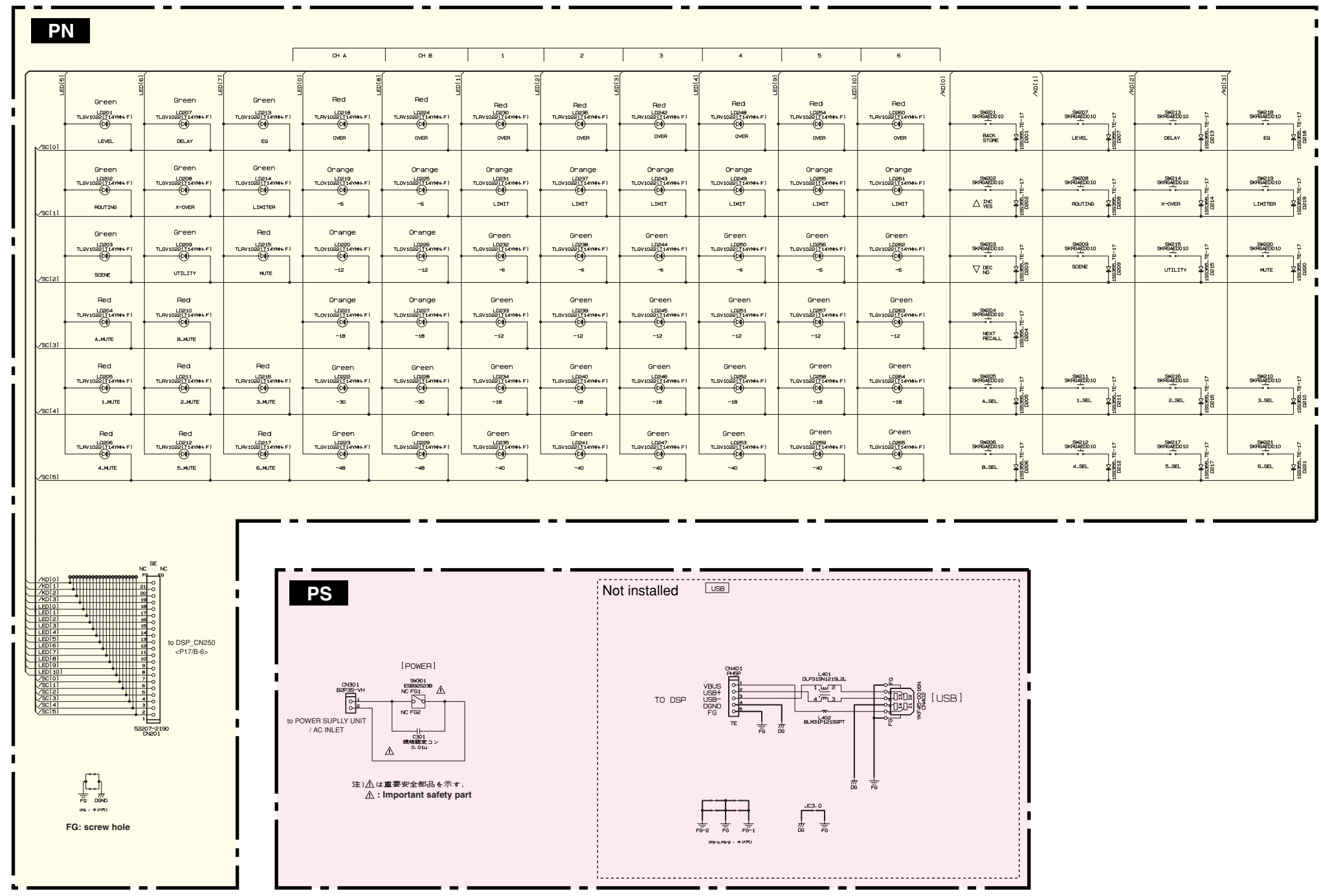


注1) (セ) → セラコン
(マ) → マイラーコン
注2) 定格電力表示: 表示なし → 1/16W
抵抗誤差表示: 表示なし → (J)
注3) *** → 未実装
Components marked *** are not installed.

(セ) : Ceramic Capacitor (セラミックコンデンサー)
(#) : Electrolytic Capacitor (ケミカルコンデンサー)
(マ) : Milar Capacitor (マイラーコンデンサー)
(D) : Metal Film Resistor (金属被膜抵抗)

Note : See parts list for details of circuit board component parts.
注 : シートの部品詳細はパーツリストを御参照ください。

■ CIRCUIT DIAGRAM 15/15 (PN & PS)



規格認定コン : Recognized Capacitor (規格認定コン)

Note: See parts list for details of circuit board component parts.
注 : シートの部品詳細はパーツリストを御参照ください。

28CC1-2001002776

SPEAKER PROCESSOR

SP 2060
