



WEB ACCESS: <http://www.yorkville.com>

**WORLD HEADQUARTERS
CANADA**

Yorkville Sound
550 Granite Court
Pickering, Ontario
L1W-3Y8 CANADA

Voice: (905) 837-8481
Fax: (905) 837-8746

U.S.A.

Yorkville Sound Inc.
4625 Witmer Industrial Estate
Niagara Falls, New York
14305 USA

Voice: (716) 297-2920
Fax: (716) 297-3689



Quality and Innovation Since 1963

Printed in Canada

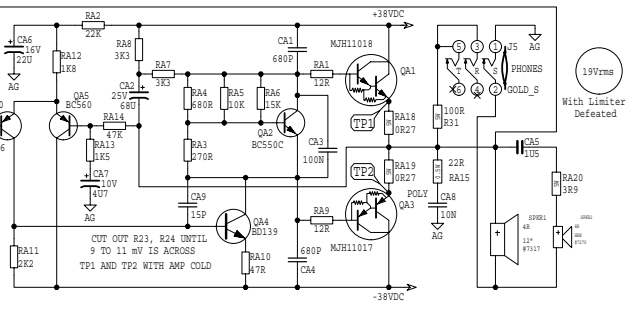
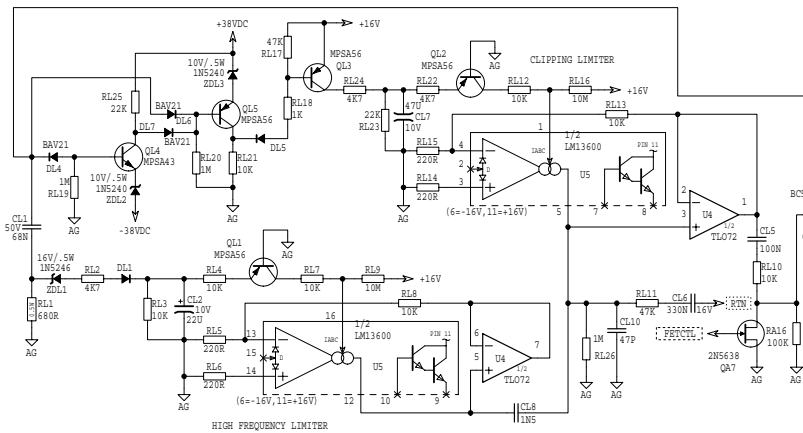
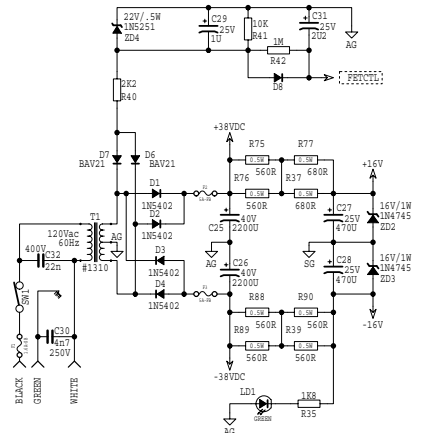
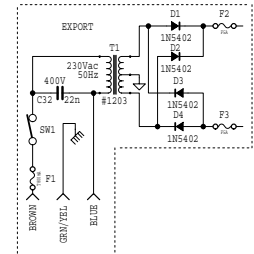
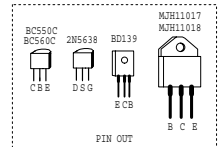
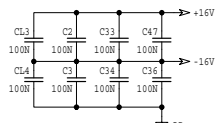
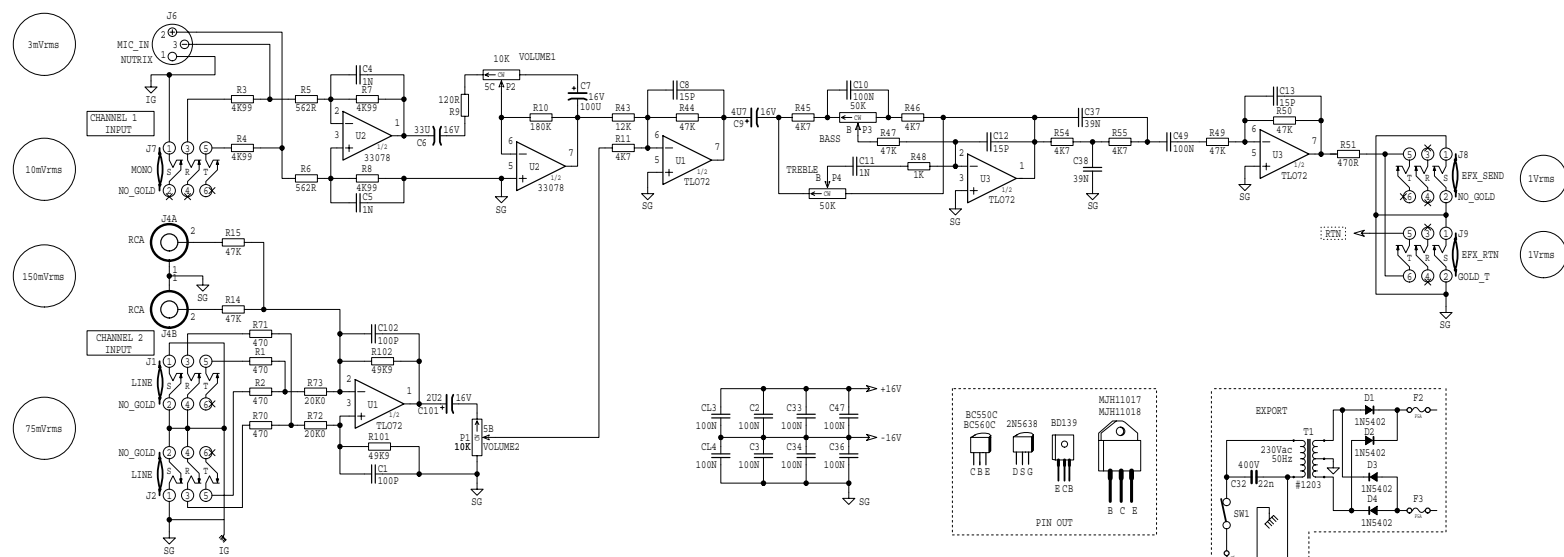


100W
MIXER AMP

SERVICE MANUAL
MANUEL DE SERVICE

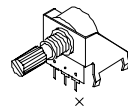
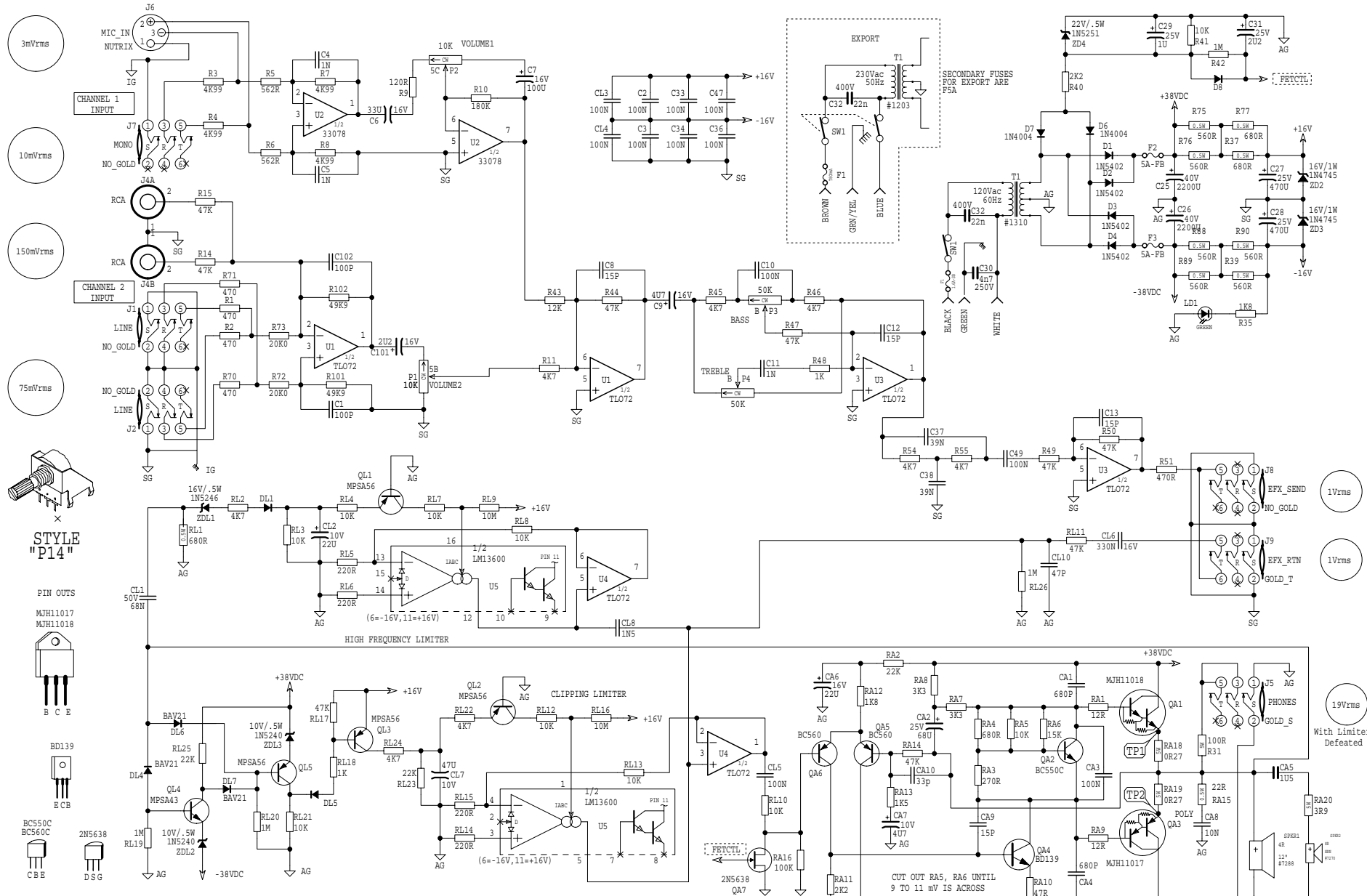
Before operating this unit, please read this manual thoroughly, and retain it for reference.
Veillez lire ce manuel attentivement avant d'utiliser l'appareil et le conserver pour consultations ultérieures

Printed in Canada
Revised / Révisé 09/00
s-100w.pdf



NOTE:
 ALL UNMARKED DIODES ARE 1N4148
 AC VOLTAGES MEASURED AT 1KHz WITH
 VOLUMES AT 10, TONES AT 0

| | | | | |
|--|----------------|--------------------|-----------------------|-----------------|
| | DATE: MAR/05 | MODELS: 100W | SHEET: 1 OF 1 | SCH ISSUE: 1.00 |
| | NAME: NS17.SCH | PCB#VER: NS17-1.00 | TITLE: 100W_MIXER_AMP | |



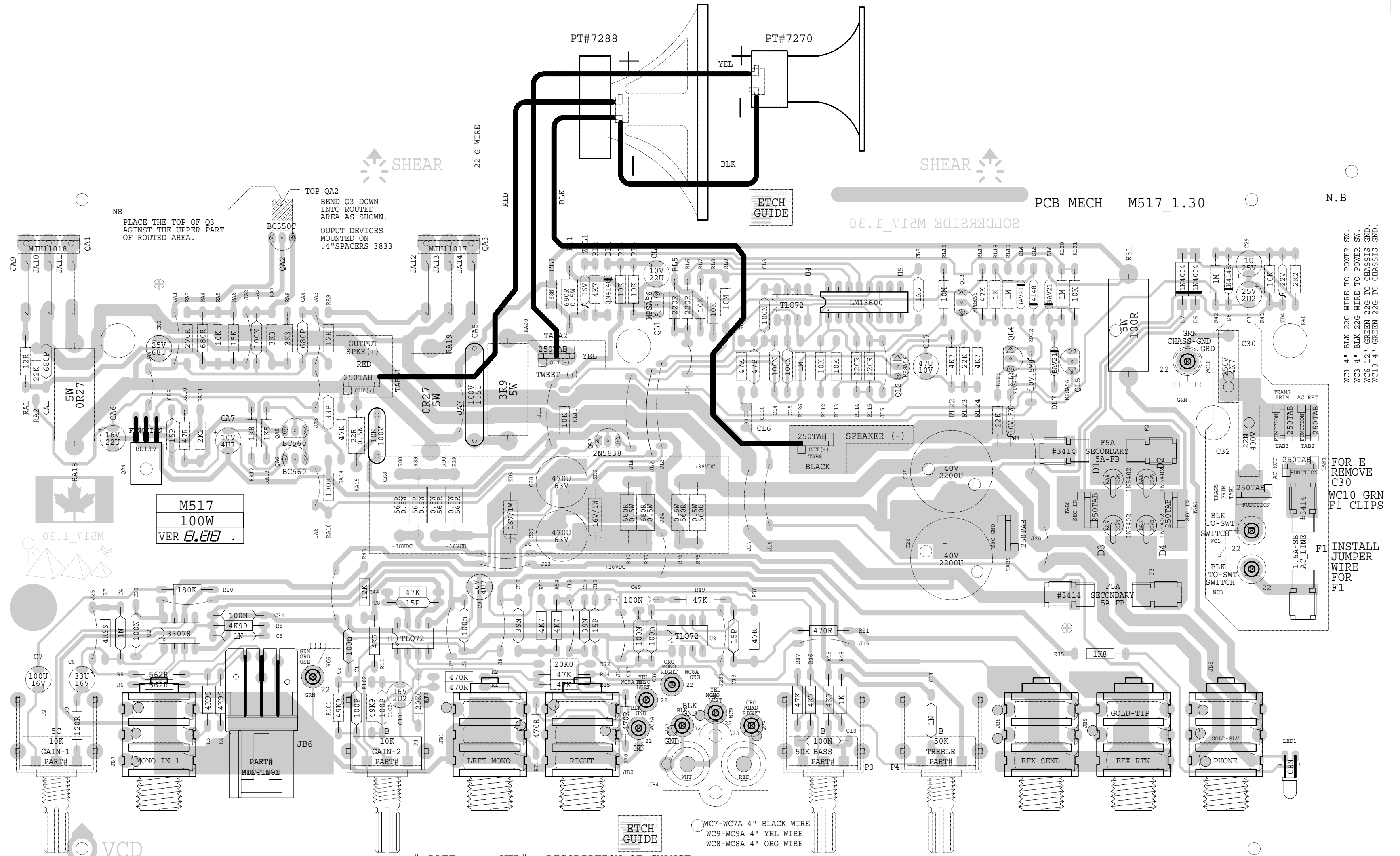
PIN OUTS
M1H1017
M1H1018



| M517.SCH DATABASE HISTORY | | | |
|---------------------------|------------|------|------------------------------------|
| MODEL(S) :- | 100W-100WS | | |
| # | DATE | VER# | DESCRIPTION OF CHANGE |
| 1 | MAY/01/95 | 1.10 | PC#4782 D6 D7 FROM BAV21 TO 1N4004 |
| 2 | MAY/08/95 | 1.10 | PC#4786 ADD 330 ACROSS RA14 (47K) |
| 3 | OCT/30/95 | 1.20 | PC#4791 EXPORT AC UPDATED TO SEMKO |
| 4 | DEC/28/99 | 1.30 | SPKR_TO #7288 |
| 5 | | N | N |
| 6 | | N | N |
| 7 | | N | N |
| 8 | | N | N |
| 9 | | N | N |
| 10 | | N | N |

NOTE:
ALL UNMARKED DIODES ARE 1N4148
AC VOLTAGES MEASURED AT 1KHZ WITH
VOLUMES AT 10, TONES AT 0

| | | | | |
|-----------|-----------------|---------------------|------------|-----------------------|
| YORKVILLE | DATE: DEC/28/99 | MODELS: 100W | SHEET DF 1 | SCH ISSUE: 1.30 |
| | NAME: M517.SCH | PCB#&VER: M517-1.10 | | TITLE: 100W_MIXER_AMP |



| M517.PCB DATABASE HISTORY | | | |
|---------------------------|-----------|------|------------------------------------|
| # | DATE | VER# | DESCRIPTION OF CHANGE |
| 1 | APR/28/95 | 1.10 | PC#4780 D6/D7 BAV21-->1N4004 |
| 2 | MAY/05/95 | 1.20 | PC#4786 TACK 33P ACROSS RA14 (47K) |
| 3 | 96/10/30 | 1.30 | CHANGE ALL .062ROUTING TO .093 |
| 4 | JUN/02/97 | 1.31 | PC#5345_ADD_3RD_VCD_SLOT |
| 5 | | | |
| 6 | | | |
| 7 | | | |
| 8 | | | |
| 9 | | | |
| 10 | | | |
| 11 | | | |
| 12 | | | |
| 13 | | | |
| 14 | | | |
| 15 | | | |
| 16 | | | |
| 17 | | | |
| 18 | | | |
| 19 | | | |
| 20 | | | |
| 21 | | | |
| 22 | | | |
| 23 | | | |

PRODUCTION NOTES

- 1 FOR "S" VERSION SECONDARY FUSES USE #2479 (F5A)

N.B

WC1 4" BLK WIRE TO POWER SW.
 WC3 4" BLK WIRE TO POWER SW.
 WC6 12" GRN TO CHASSIS GRD.
 WC10 4" GRN TO CHASSIS GRD.

FOR E REMOVE C30
 WC10 GRN F1 CLIPS

INSTALL JUMPER WIRE FOR F1

| YS No. | Description | Qty. |
|--------|-------------------------------------|------|
| 6401 | GRN 3MM LED 1V9 6MA HIGHEFF | 1 |
| 6425 | BAV21 200V 0A25 DIODE T&R | 3 |
| 6825 | 1N4148 75V 0A45 DIODE T&R | 3 |
| 6438 | 1N4004 400V 1A0 DIODE T&R | 2 |
| 6827 | 1N5402 200V 3A0 DIODE | 4 |
| 6461 | 1N5240BRL 10V0 0W5 ZENER 5% T&R | 2 |
| 6822 | 1N4745A 16V0 1W0 ZENER 5% T&R | 2 |
| 6824 | 1N5246B 16V0 0W5 ZENER 5% T&R | 1 |
| 6463 | 1N5251BRL 22V0 0W5 ZENER 5% T&R | 1 |
| 5101 | BC550C TO92 NPN TRAN T&R TB | 1 |
| 5102 | BC560C TO92 PNP TRAN T&R TB | 2 |
| 5104 | MPSA56 TO92 PNP TRAN T&R TA | 4 |
| 5109 | MPSA43 TO92 NPN TRAN TA | 1 |
| 5119 | 2N5638 TO92 NCH JFET T&R TC | 1 |
| 6774 | BD139 TO126 NPN TRAN TG | 1 |
| 6779 | MJH11018 TO218 NPN TRAN DARL TI | 1 |
| 6802 | MJH11017 TO218 PNP TRAN DARL TI | 1 |
| 6840 | MC33078P IC DUAL OP AMP | 1 |
| 6882 | TL072CP IC FET DUAL OP AMP | 3 |
| 6745 | LM13600N IC XCONDUCTANCE AMP | 1 |
| 5402 | .15P 100V 10%CAP T&R BEAD NPO | 4 |
| 5406 | .33P 50V 10%CAP T&R BEAD NPO | 1 |
| 5408 | .47P 100V 10%CAP T&R BEAD NPO | 1 |
| 5410 | 100P 100V 10%CAP T&R BEAD NPO | 2 |
| 5420 | 680P 50V 10%CAP T&R BEAD NPO | 2 |
| 5422 | .1N 50V 10%CAP T&R BEAD NPO | 3 |
| 5424 | .1N5 50V 10%CAP T&R BEAD Y5P | 1 |
| 6451 | .4N7 250V 20%CAP BLK Y 10MM AC | 1 |
| 5834 | .10N 250V 20%CAP BLK RAD POLY FLM | 1 |
| 6435 | .22N 275V 20%CAP BLK X2 15MM AC | 1 |
| 5307 | .39N 50V 10%CAP T&R BEAD X7R | 2 |
| 5226 | .68N 100V 5%CAP T&R RAD .2"FLM | 1 |
| 5314 | 100N 50V 10%CAP T&R BEAD X7R | 12 |
| 5233 | 330N 63V 5%CAP T&R RAD .2"FLM | 1 |
| 5255 | .1U 63V 20%CAP T&R RAD .2"EL | 1 |
| 5925 | .1U5 100V 10%CAP BLK RAD POLY FLM | 1 |
| 5257 | .2U2 63V 20%CAP T&R RAD .2"EL | 2 |
| 5259 | .4U7 63V 20%CAP T&R RAD .2"EL | 2 |
| 5260 | .22U 50V 20%CAP T&R RAD .2"EL | 2 |
| 5961 | .33U 16V 20%CAP T&R RAD .2"NIP | 1 |
| 5627 | .47U 10V 20%CAP BLK RAD NP | 1 |
| 5265 | .68U 25V 20%CAP T&R RAD .2"EL | 1 |
| 5267 | 100U 25V 20%CAP T&R RAD .2"EL | 1 |
| 5621 | 470U 63V 20%CAP BLK 12X25MM EL | 2 |
| 5887 | 2200U 50V 20%CAP BLK 18X27MM EL | 2 |
| 4403 | .10K 5B LIN 16MM P14 | 1 |
| 4409 | .10K 5C R/A 16MM P14 | 1 |
| 4406 | .50K 5B LIN 16MM P14 | 2 |
| 3682 | 250 MALE PCB TAB BULK CARTRIGE | 10 |
| 3498 | 1/4" JCK PCB MT HORZ | 4 |
| 3523 | 1/4" JCK PCB MT HORZ GOLD T | 1 |
| 3527 | 1/4" JCK PCB MT HORZ GOLD S | 1 |
| 3460 | RCA DUAL PCB MT VERT GOLD .475" | 1 |
| 3657 | XLR FEML PCB MT HORZ NO SHELL | 1 |
| 3451 | EYELET SMALL 0.089 OD PLATED | 10 |
| 3414 | INTERNATIONAL PC MOUNT FUSEHOLDER | 6 |
| 2406 | 1.6 AMP SLO-BLO .25X1.25 FUSE | 1 |
| 2415 | 5.0 AMP FAST-BLO .25X1.25 FUSE | 2 |
| 2476 | T800MA 5X20MM FUSE | 1 |
| 2479 | F5A 5X20MM FUSE | 2 |
| 3563 | TRANSISTOR MOUNTING BRACKET | 1 |
| 3800 | BELLY BUTTON #BB1 CORDS CANADA | 2 |
| 3804 | SNAP ON 1.5" INSULATING BUSHING | 1 |
| 3438 | 230 AC RECEPTACLE FUSE & 250 TABS | 1 |
| 3795 | #8 GROUND LUG ZIERICK 505-169 | 2 |
| 3810 | 4" NYLON CABLE TIE | 8 |
| 8486 | M3.5 EURO SPRING TOOTH LOCKWASHER | 2 |
| 8693 | S ROTARY KNOB GREY | 4 |
| 3474 | 6' 3X.075MM AC LINE CORD EURO-REMOV | 1 |
| 8800 | 6-32 KEPS NUT ZINC | 7 |
| 8787 | 8-32 KEPS NUT ZINC | 4 |
| 8898 | 1/4-20 CAGE NUT C7998142027 | 4 |
| 3830 | TO218 PREGREASED MICA 56-78-2AP | 2 |
| 4597 | 22AWG STRAN TC WIR JMP | 6 |
| 4599 | 22AWG SOLID SC WIR T&R JMP | 29 |
| 4729 | 5.0W 0R27 5% BLK RES | 2 |
| 4734 | 5.0W 3R9 5% BLK RES | 2 |
| 4815 | 1/4W 12R 5% T&R RES | 1 |
| 4618 | 1/2W 22R 5% T&R RES | 1 |
| 4817 | 1/4W 47R 5% T&R RES | 1 |
| 4692 | 5.0W 100R 5% BLK RES | 1 |
| 4897 | 1/4W 120R 5% T&R RES | 1 |
| 4857 | 1/4W 220R 5% T&R RES | 4 |
| 4867 | 1/4W 270R 5% T&R RES | 1 |
| 4821 | 1/4W 470R 5% T&R RES | 5 |
| 4671 | 1/2W 560R 5% T&R RES | 6 |
| 4799 | 1/4W 562R 1% T&R RES | 2 |

| YS No. | Description | Qty. |
|--------|-------------------------------------|------|
| 4673 | 1/2W 680R 5% T&R RES | 3 |
| 4873 | 1/4W 680R 5% T&R RES | 1 |
| 4823 | 1/4W 1K 5% T&R RES | 2 |
| 4824 | 1/4W 1K5 5% T&R RES | 1 |
| 4825 | 1/4W 1K8 5% T&R RES | 2 |
| 4847 | 1/4W 2K2 5% T&R RES | 2 |
| 4826 | 1/4W 3K3 5% T&R RES | 2 |
| 4827 | 1/4W 4K7 5% T&R RES | 8 |
| 4639 | 1/4W 4K99 1% T&R RES | 4 |
| 4829 | 1/4W 10K 5% T&R RES | 10 |
| 4856 | 1/4W 12K 5% T&R RES | 1 |
| 4830 | 1/4W 15K 5% T&R RES | 1 |
| 6123 | 1/4W 20K0 1%MINI MF T&R RES | 2 |
| 4832 | 1/4W 22K 5% T&R RES | 3 |
| 4834 | 1/4W 47K 5% T&R RES | 9 |
| 4803 | 1/4W 49K9 1% T&R RES | 2 |
| 4838 | 1/4W 100K 5% T&R RES | 1 |
| 4849 | 1/4W 180K 5% T&R RES | 1 |
| 4844 | 1/4W 1M 5% T&R RES | 4 |
| 4809 | 1/4W 10M 5% T&R RES | 2 |
| 9150 | .081" 48X96 UTILITY ALUMINUM | 2.7 |
| 8842 | #4 X 5/16 PAN QUAD TYPE A JS500 BLK | 2 |
| 8801 | 6-32 X 3/8 PAN PH TAPTITE JS500 | 2 |
| 8829 | 6-32 X 3/8 FLAT PH TAPTITE BO#4 HEA | 4 |
| 8806 | 6-32 X 1/2 PAN PH TAPTITE JS500 | 3 |
| 8823 | 6-32 X 1 PAN PH TAPTITE JS500 | 3 |
| 8763 | 8-32 X 1/2 PAN PH MS JS500 BLACK | 4 |
| 3833 | 8 X 3/8 (250 OD,.171 ID)NY SPACER | 2 |
| 3741 | .5 SPACER ID-.171 OD-.25 #912-500 | 3 |
| 3511 | #6 FLAT WASHER NYLON | 2 |
| 8852 | #6 INTERNAL TOOTH LOCKWASHER | 1 |
| 3702 | DPST ROKR SW 187" AC PWR SEMKO | 1 |
| 1310 | 4200 BLOC-80B/100G S120B/100K XFMR | 1 |
| 3.3 | M517/M579 X 2 100W/100KW PCB | 0.5 |