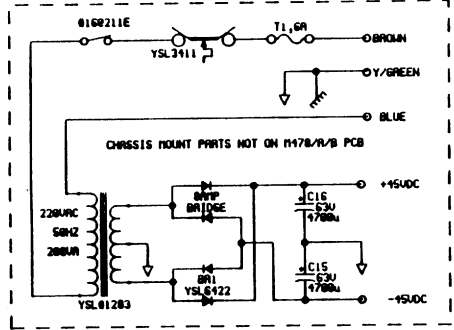


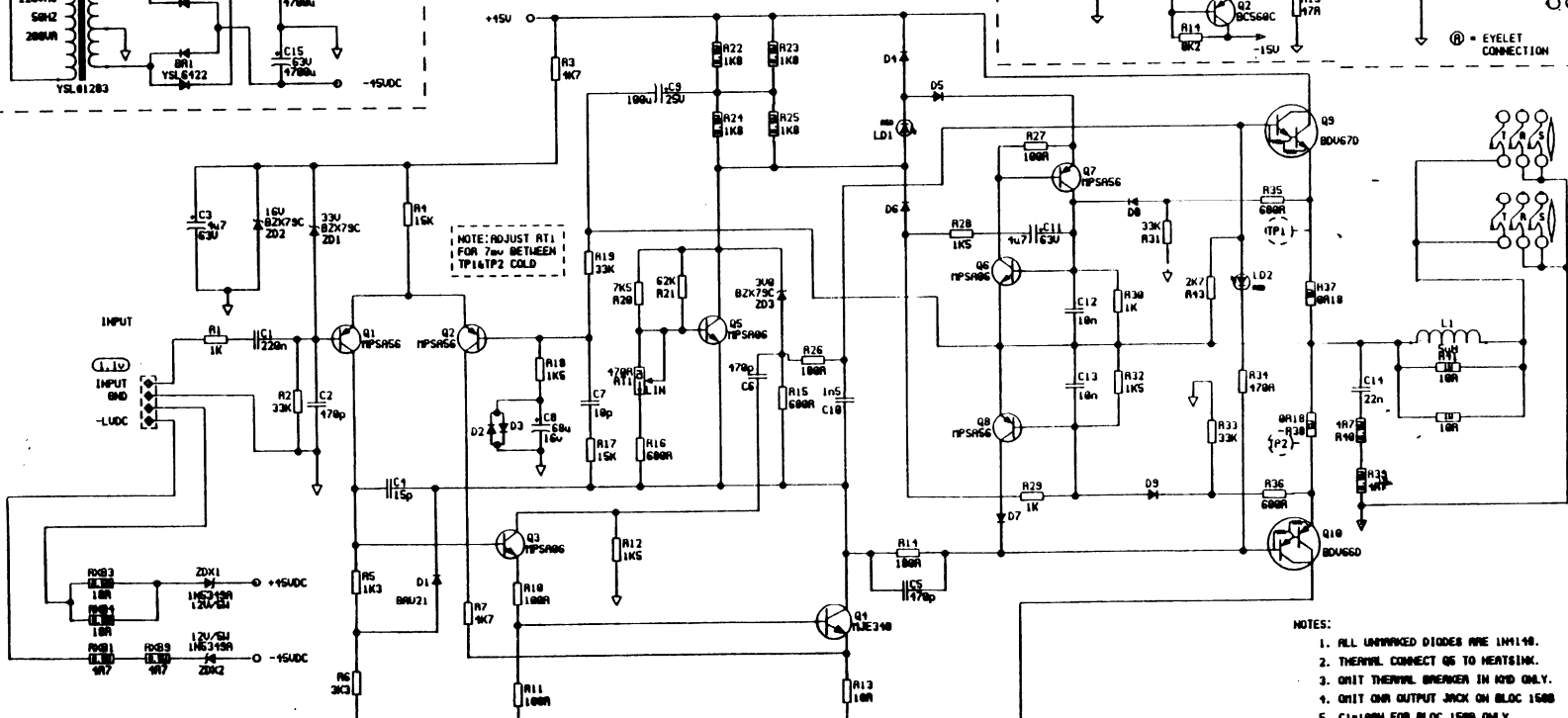
EUROPEAN POWER SUPPLY



SEE TABLE A FOR VALUES INSIDE DOTTED LINE

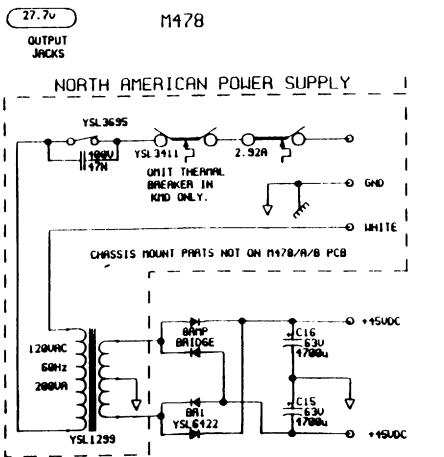
FREQ	100	200	400	800	1600	3200
CX	C18	C19	C20	C21	C22	C23
CY	C24	C25	C26	C27	C28	C29
CZ	470	330	150	80	30	10
AX=1K5	R51	R52	R53	R54	R55	R56
AZ=20	R61	R62	R63	R64	R65	R66
AQ	Q4	Q5	Q6	Q7	Q8	Q9

TABLE A
M424



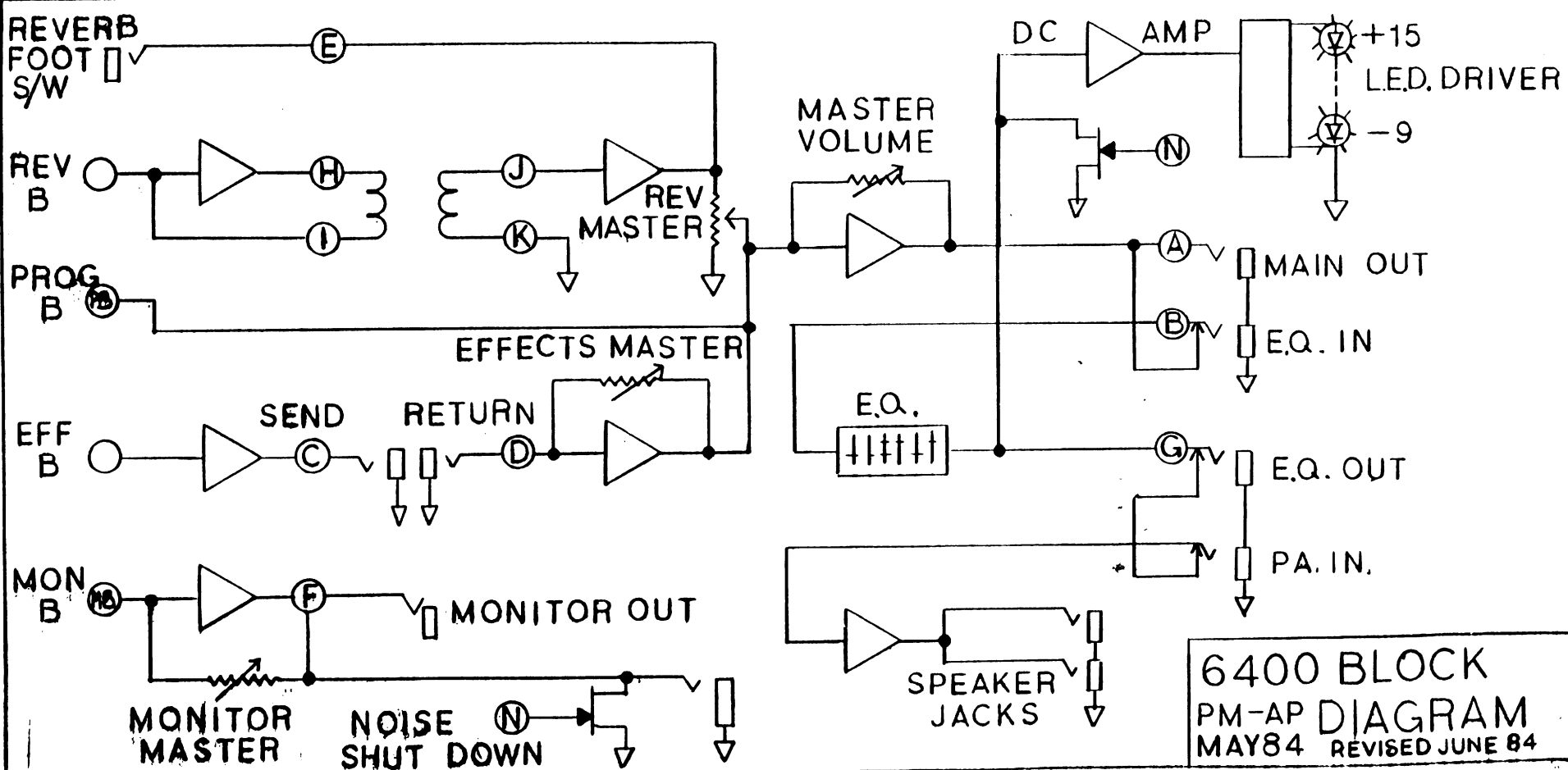
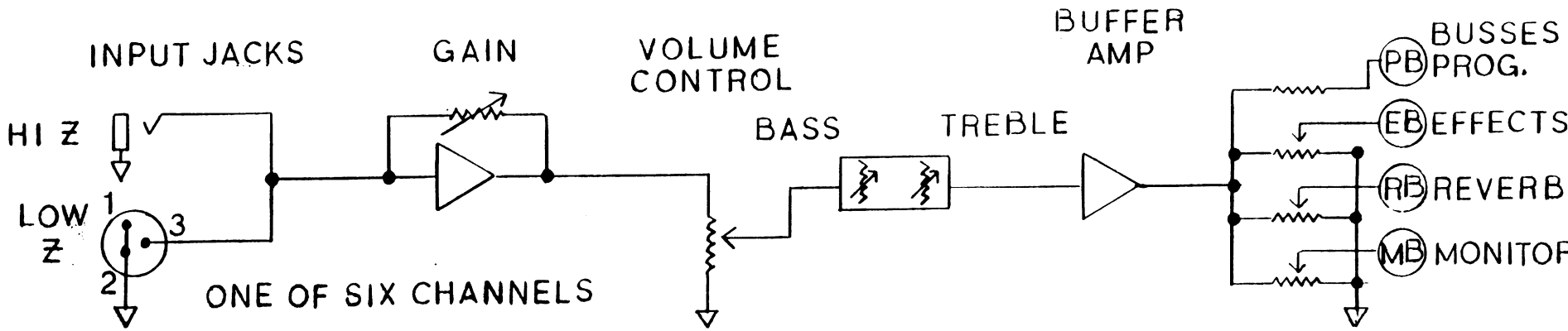
NOTE: ADJUST R1 FOR 7mV BETWEEN TP1&TP2 COLD

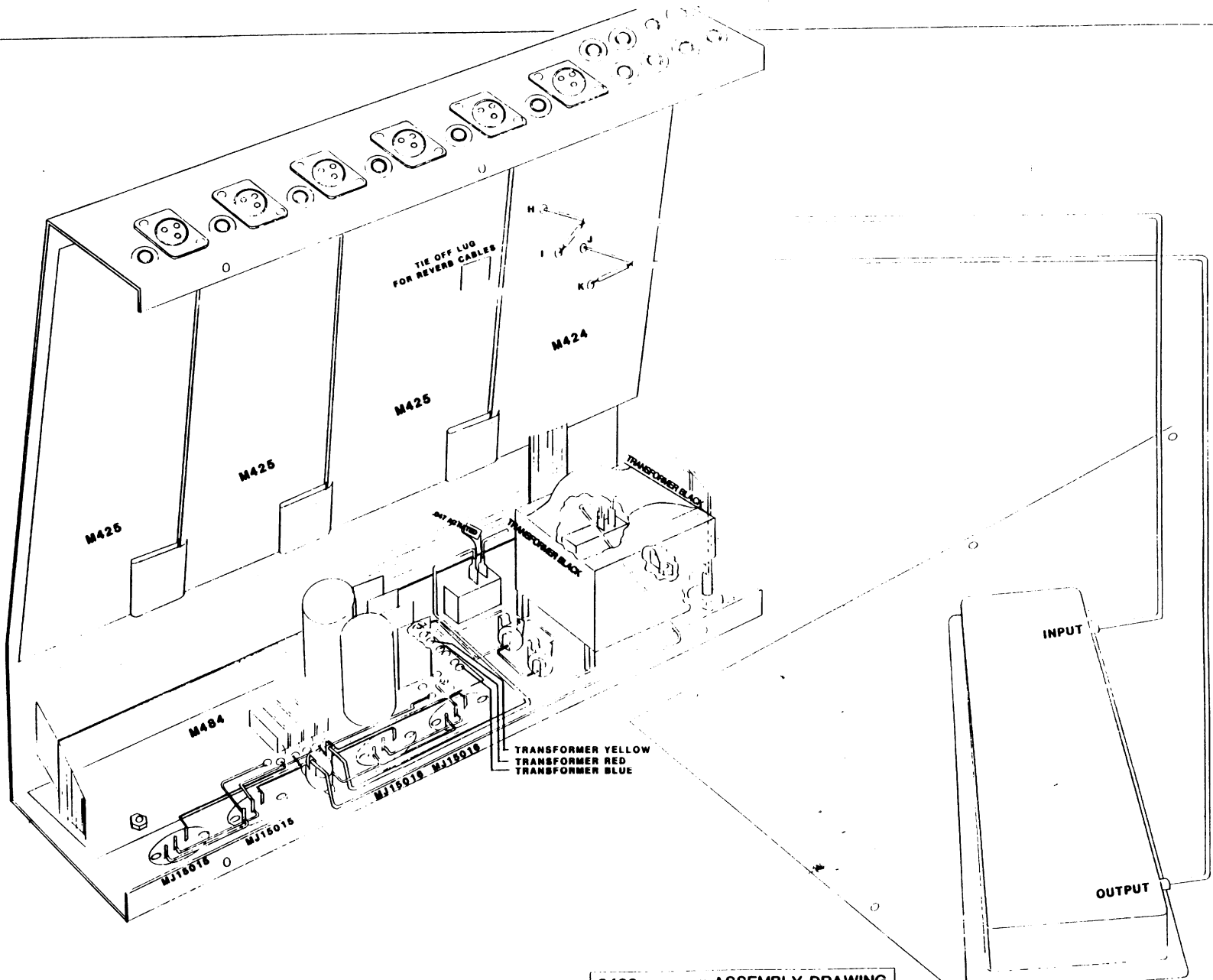
- NOTES:
1. ALL UNMARKED DIODES ARE 1N4148.
 2. THERMAL CONNECT Q6 TO HEATSINK.
 3. OMIT THERMAL BREAKER IN KFD ONLY.
 4. OMIT OHM OUTPUT JACK ON BLOC 1500
 5. C1=100n FOR BLOC 1500 ONLY.



NORTH AMERICAN POWER SUPPLY

YORKVILLE SOUND LTD
 TITLE: 6400-6400 PCB
 DATE: 01/12/00 CSD FILE NAME: 6400.SCH
 DESIGNED BY: R. BETHKE CAPTURE BY: M. GLEN
 FOR MODELST: UENSTON





6400 SERIES II ASSEMBLY DRAWING

SEPT. 64 DRAWN A. POLLARD