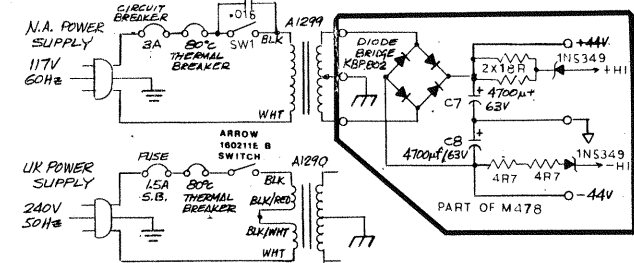
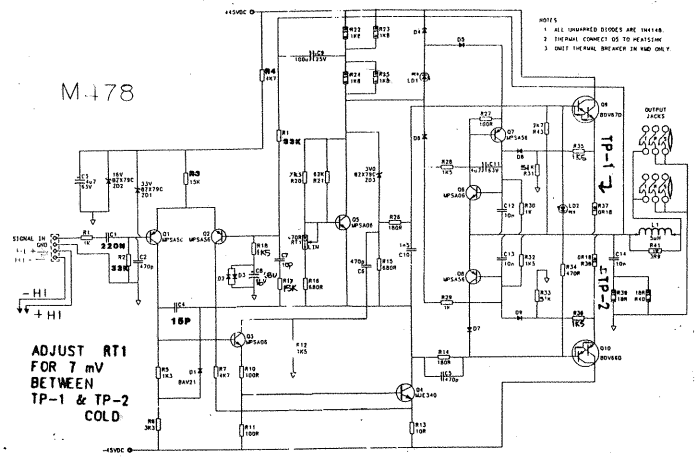


TABLE 'A'

FREQ. Hz	100	200	400	800	600	3200
Cx	C18	C19	C20	C21	C22	C23
	470n	220n	100n	68n	33n	15n
Cy	C24	C25	C26	C27	C28	C29
	33n	15n	6n8	3n3	2n2	1n
Cz	C30	C31	C32	C33	C34	C35
Rx 100k	R48	R49	R50	R51	R52	R53
Ry 1k5	R54	R55	R56	R57	R58	R59
Rz 2k5	R60	R61	R62	R63	R64	R65
Qz 500k	Q4	Q5	Q6	Q7	Q8	Q9

M478



04 update to issue 6 Add M478 HG Feb/86
 03 update to issue 5 HS 12/1/85
 02 42441217 DB Dec/84
 01 29H4889 DB Sept/84

REV	DESCRIPTION	EDN	DATE
1			

YORKVILLE SOUND LTD.
 TITLE SCHEMATIC MODEL N° 6400

DESIGN	N. BETHKE	BOARD N°
DRAWN	D. BASSO	M424
DATE	AUG 21 '84	M42F

ISSUE DATE 8