

ASSEMBLY M1048-2.52
 PCB MECH M1048-2.50

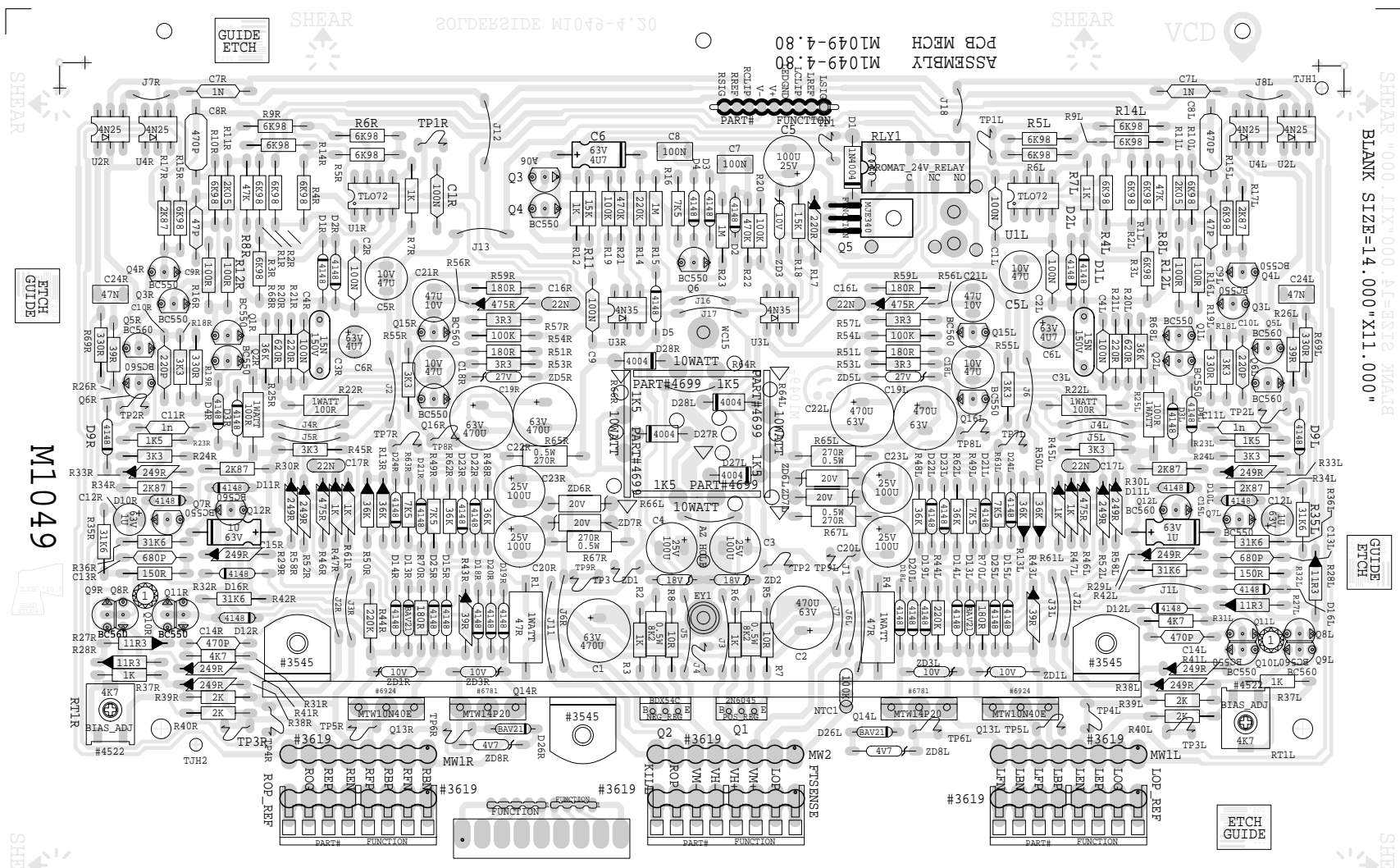
BLANK SIZE 15.700" X 8.200"

M1048 AP-1200

M1048.PCB_DATABASE_HISTORY			
#	DATE	VER#	DESCRIPTION OF CHANGE
1	FEB/23/94	2.40	PC#4557 Q1L/Q1R MTP10N12L TO MTP10N15L
2	APR/04/95	2.40	PC#4746 HEATSINKS REMOVED FROM Q12R/Q12L
3	OCT/19/95	2.50	PC#4924 PADS FOR OUTPUT TRANSISTOR COLLECTORS ENLARGED TO AID ROBOT ASSEMBLY
4	NOV/28/95	2.50	PC#4969 HOLES FOR 1/2W FROM .040" TO .047"
5	AUG/17/94	2.51	PC#4638 ZD2L,ZD2R FROM 12V TO 14V ADD 1R 1/2W ACROSS R4L,R4R
6	AUG/19/96	2.52	PC#5187_AMP-INS-->SOCKET_EYELET
7			
8			
9			
10			
11			
12			
13			
14			
15			
16			
17			
18			
19			
20			

PRODUCTION NOTES

- 1 BE SURE THE VALUE OF C22L/C22R IS 22U 50V AND R30L/R30R IS 20K
- 2 TORQUE FOR TO'3 IS 8 INCH/LB AT ASSEMBLY AND RETORQUED TO 8 INCH/LB AFTER WAVE SOLDER
- 3 THERMISTORS RV1L/RV1R MUST BE BENT IN THE DIRECTION OF THE ARROWS INSIDE THE HEATSINK. THERMISTORS MUST NOT BE ABOVE THE SURFACE
- 4 APPROVED SUBSTITUTE FOR PT#6737 MTP12P10 Q6L/Q6R IS IRF9530



M1049

M1049.PCB_DATABASE_HISTORY

MODEL(S):- AP-1200-AP1212

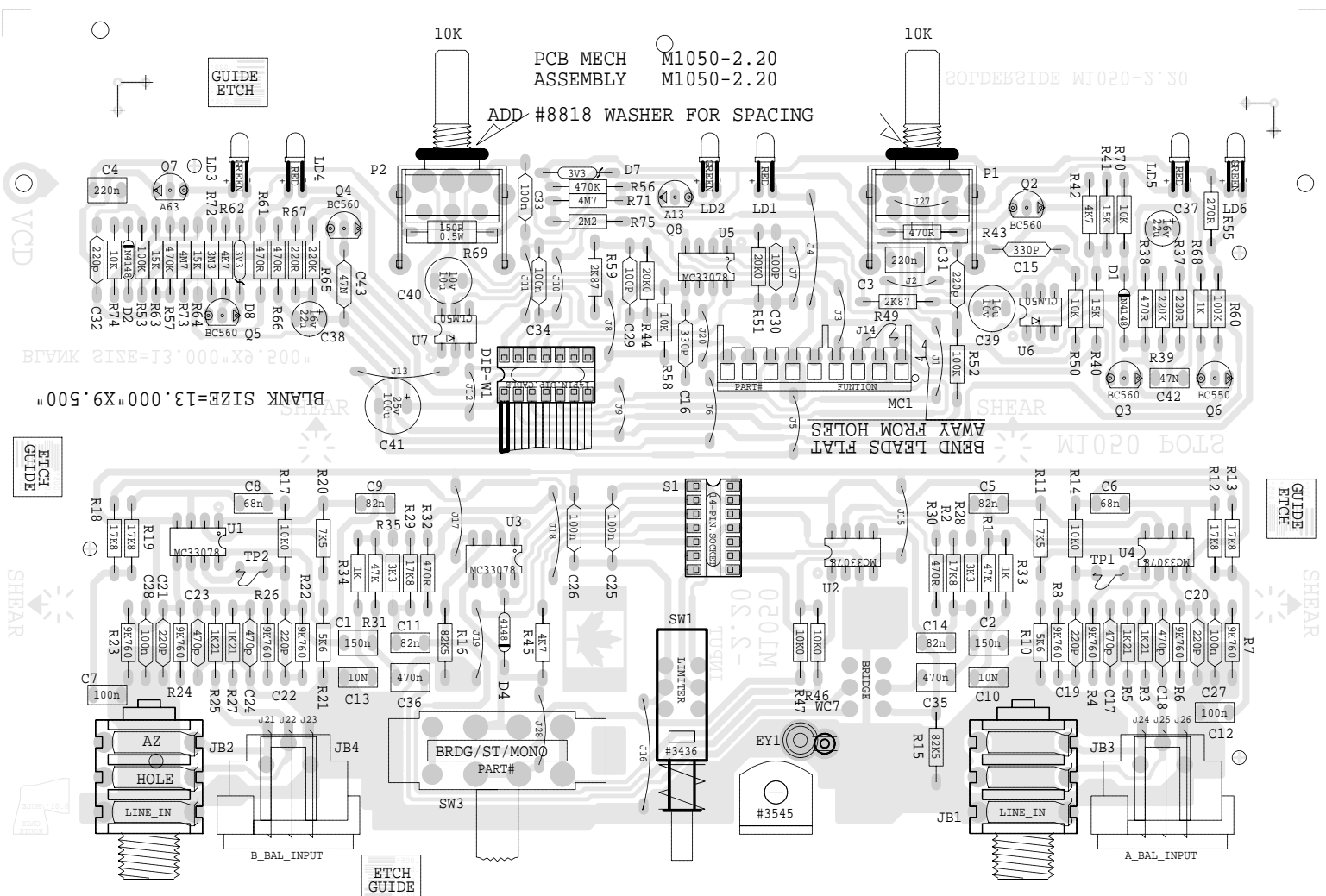
#	DATE	VER#	DESCRIPTION OF CHANGE
1	MAR/15/94	4.20	PC#4512 Q14R/L MTH8P20->MTW14P20
2	APR/14/94	4.30	PC#4330 R70R/L 330R->180R
3	JUN/06/94	4.40	BD649 REPLACED BY 2N6045
4	JUN/22/94	4.50	PC#4529 BD652 TO BDX54C
5	AUG/16/94	4.60	PC#4638 C9L/R 100P->47P
6	.	.	C14L/R 680P->470P
7	.	.	R31L/R 150R->4K7
8	AUG/30/94	4.70	PC#4557 Q13L/R MTH8N35->MTW10N40E
9	.	.	PC#5187 AMP-IN->SOCKET EYELET
10	AUG/19/96	4.70	PC#5095 R37L/R 2K49->1K
11	AUG/96	4.80	PC#5281 4004 HOLE 59->52
12	DEC/18/96	4.80	PC#5281 4004 HOLE 59->52
13	JUN/11/97	4.80	WC15 EYELET-->AMP-IN
14			
15	D	V	N
16	D	V	N
17	D	V	N
18	D	V	N
19	D	V	N
20	D	V	N

PRODUCTION NOTES

- 1 Q8R,Q11R,Q9L AND Q10L ARE HAND INSERTED
- 2 FOR PAIRS Q9,Q8L/R Q10,Q11L/R TO HOLD IN PLACE. SOLDERING. USE A SMALL DAB OF RTV WITH #8609 VINYL CAP BEFORE WAVE NOTE-CAP_EACH_PAIR_OF_TRANSISTORS



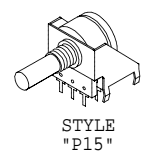
SHEAR 0.000 11x11.000 11-ENTR2 M41B
BLANK SIZE=14.000"x11.000"



M1050/M1050A.PCB_DATABASE_HISTORY

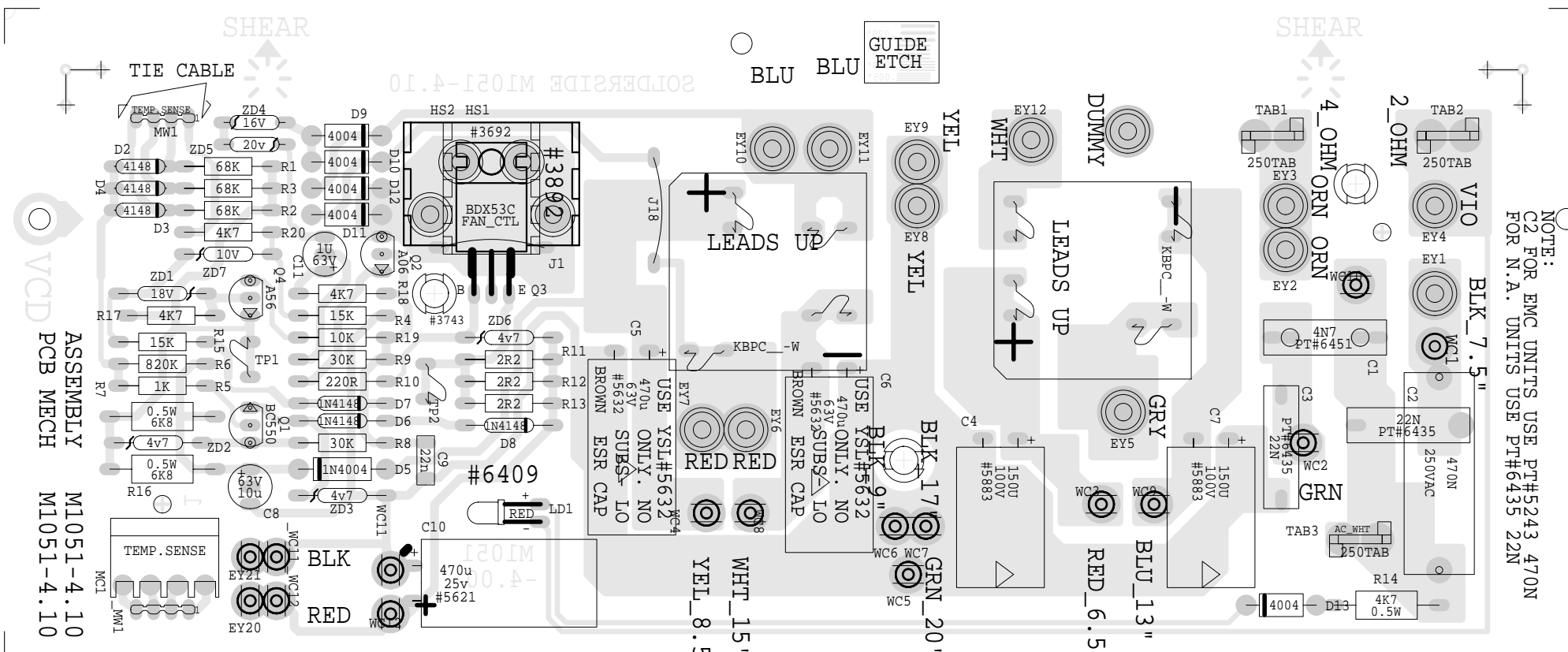
MODEL(S):- AP-1200/IMPACT

#	DATE	VER#	DESCRIPTION OF CHANGE
1		V	N
2		V	N
3		V	N
4		V	N
5		V	N
6		V	N
7		V	N
8		V	N
9		V	N
10		V	N
11		V	N
12		V	N
13		V	N
14		V	N
15		V	N
16		V	N
17		V	N
18		V	N
19		V	N
20		V	N



PRODUCTION NOTES

- 1
- 2



NOTE:
 C2 FOR EMC UNITS USE PT#5243 470N
 FOR N.A. UNITS USE PT#6435 22N

ASSEMBLY M1051-4.10
 PCB MECH M1051-4.10

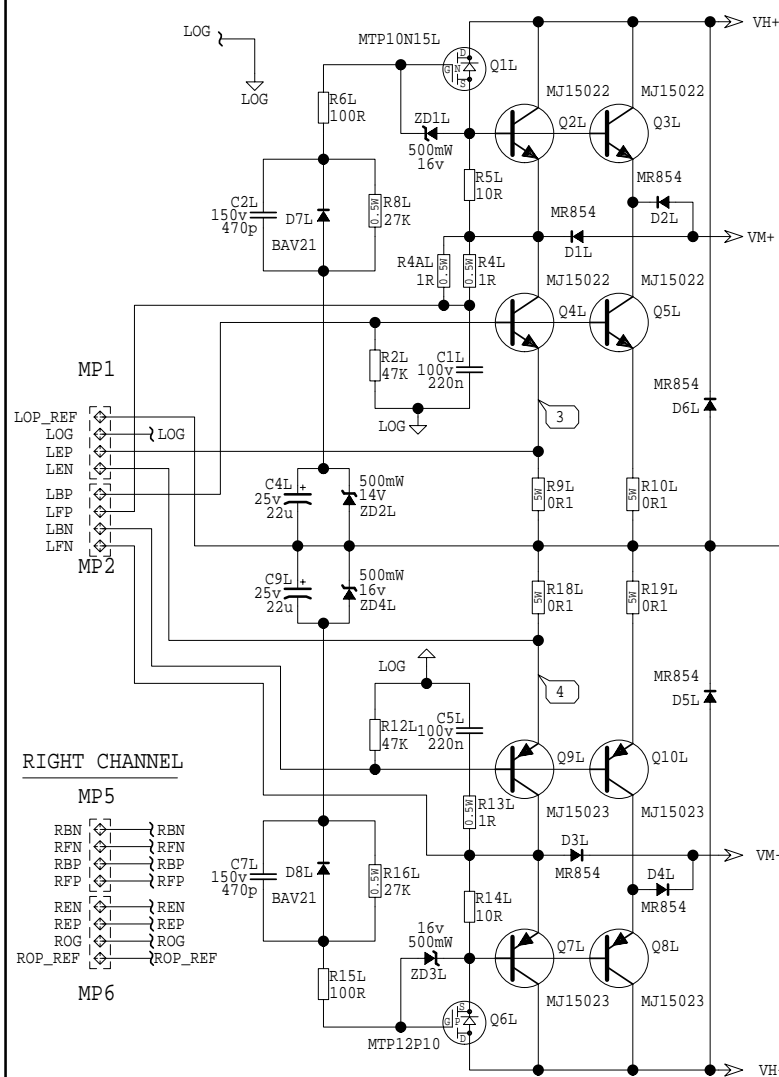
M1051.PCB_DATABASE_HISTORY

#	DATE	VER#	DESCRIPTION OF CHANGE
1	JUN/23/94	3.41	PC#4529_BD651_TO_BDX53C
2	OCT/23/95	4.00	PC#4919_RETAPED TO ACCEP 470N AC CAP FOR EMC UNITS
3			
4	AUG/19/96	4.10	PC#5187_AMP-INS-->SOCKET_EYELET
5			
6			
7			
8			
9			
10			
11			
12			
13			
14			
15			
16			
17			
18			
19			
20			
21			
22			
23			

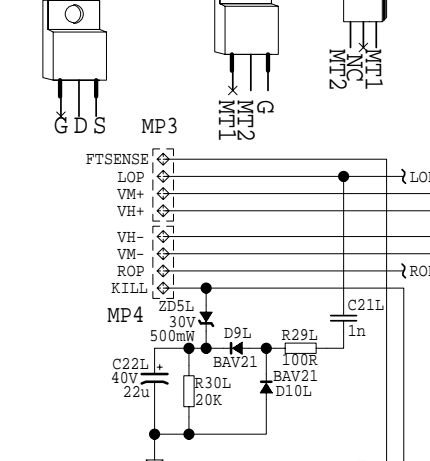
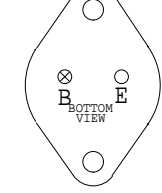
000.px 002581812.M1051.B
 BLANK SIZE=16.500"X9.000"

WARNING: 200 VDC IS BETWEEN THE POWER SUPPLIES. THIS PRESENTS A SIGNIFICANT SHOCK HAZARD. PLEASE, USE EXTREME CAUTION WHEN SERVICING!

CURRENT AMPLIFIER

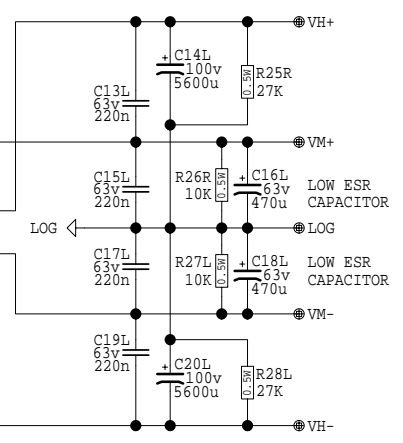


MJ15022 MJ15023
 MTP10N15L MTP12P10
 MAC224
 MBS4992

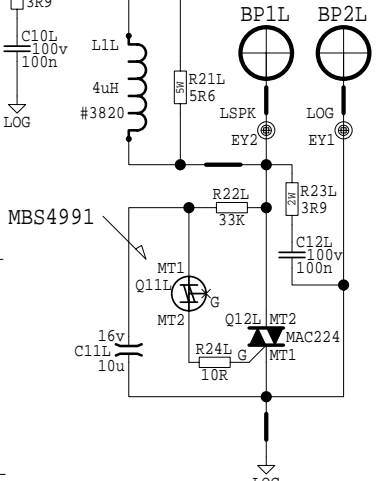


DC PROTECTION

TEMPERATURE SENSORS

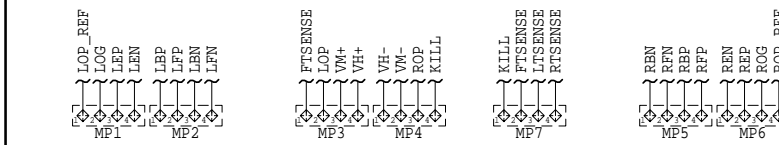


OUTPUTS

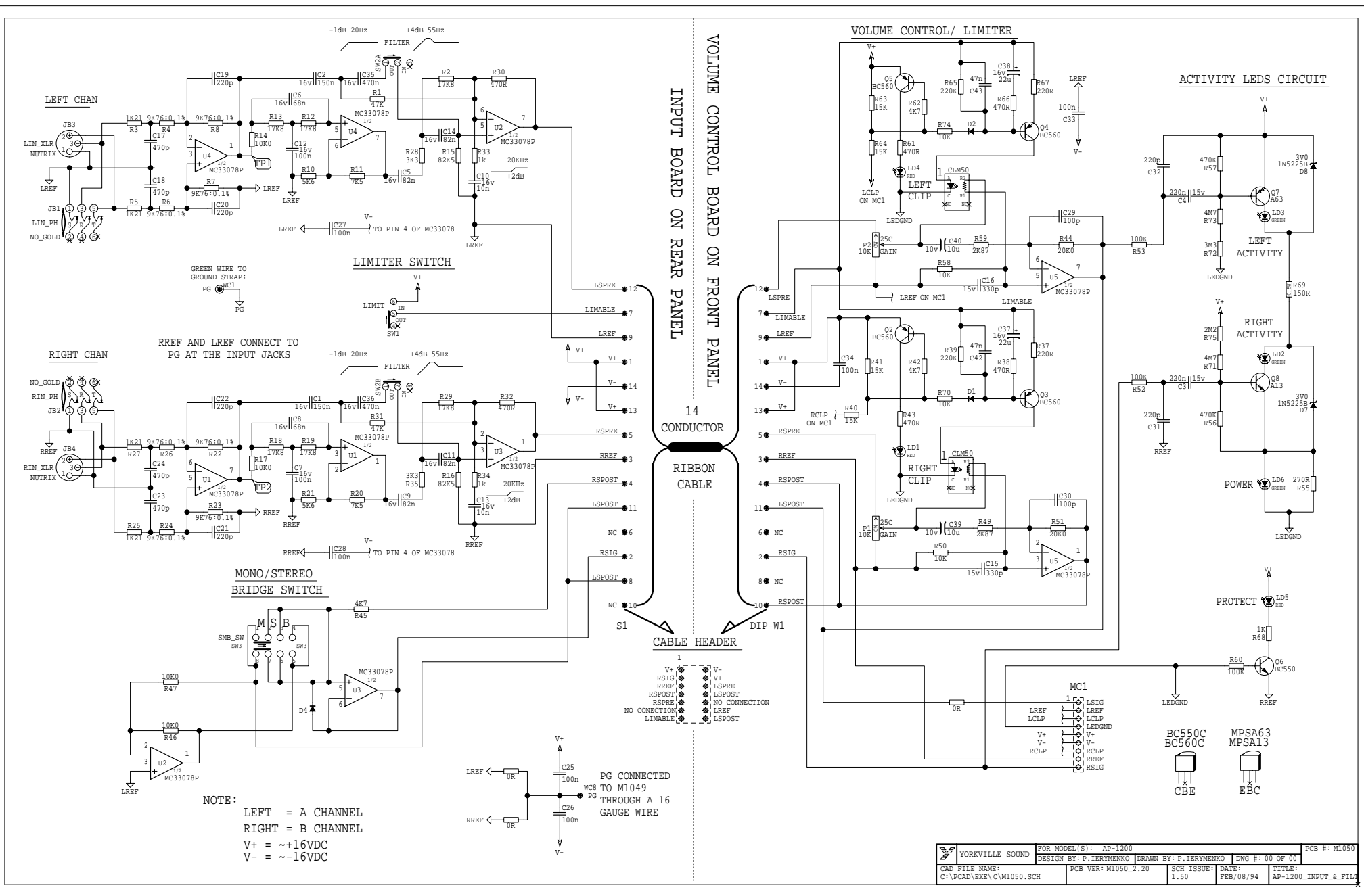


NOTE: PART NUMBERS WITH A "L" SUFFIX WILL HAVE A "R" SUFFIX FOR THE RIGHT CHANNEL CURRENT AMPLIFIER.

NOTE THAT THE CAPACITOR VOLTAGES SHOWN ARE THE MINIMUM REQUIRED FOR PROPER OPERATION. ACTUAL VOLTAGE RATINGS MAY BE HIGHER.
 ALL UNMARKED DIODES ARE 1N4148.



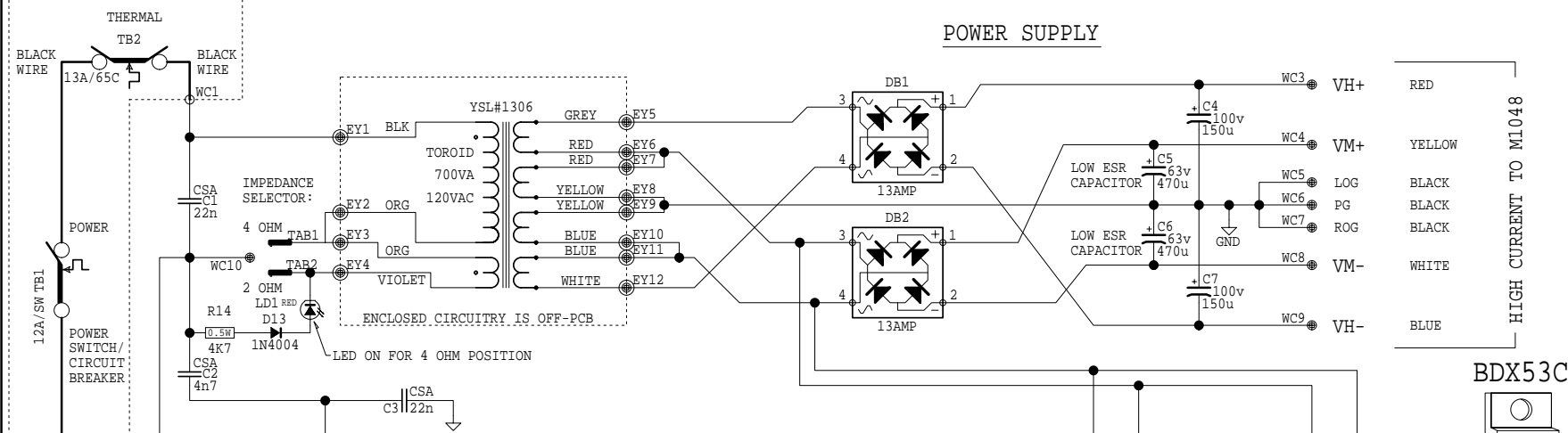
YORKVILLE	DATE: AUG/16/94	MODELS: AUDIO-PRO AP-1200	SCH ISSUE: 1.40
	NAME: M1048.SCH	PCB#&VER: M1048-2.31	TITLE: CURRENT_AMP



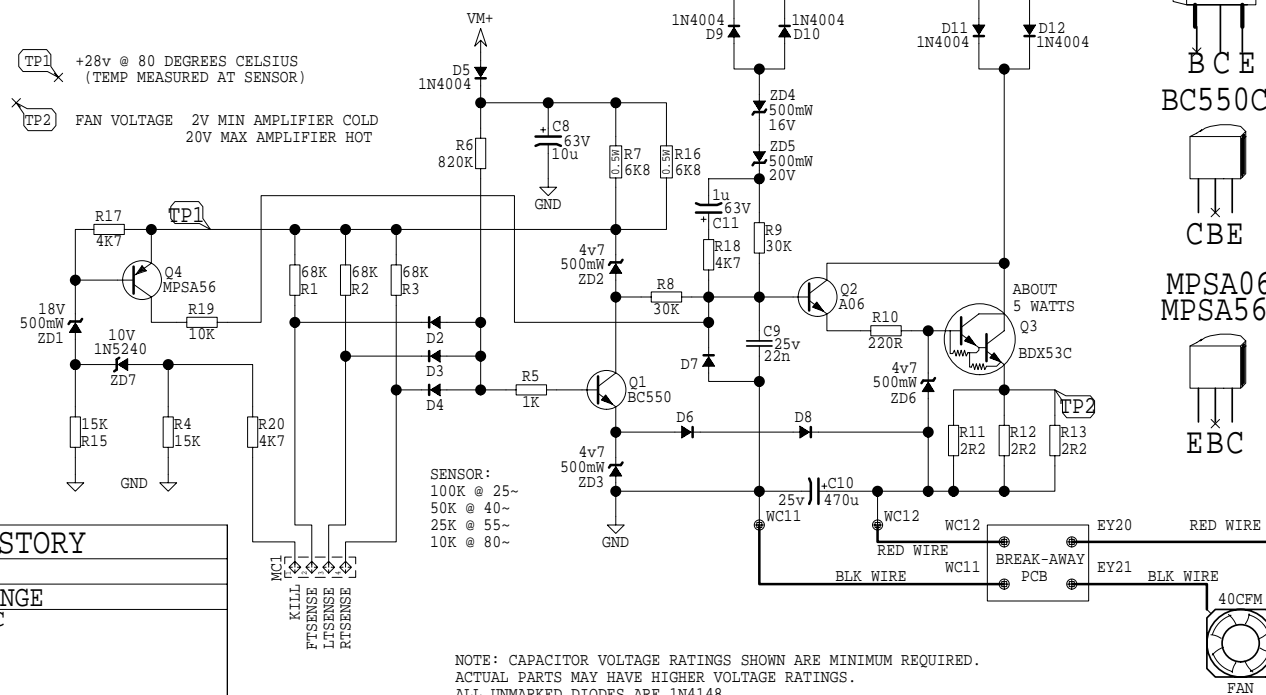
YORKVILLE SOUND	FOR MODEL(S): AP-1200	PCB #: M1050
DESIGN BY: P.IERYMENKO	DRAWN BY: P.IERYMENKO	DWG #: 00 OF 00
CAD FILE NAME: C:\PCAD\EXM\C\M1050.SCH	PCB VER: M1050_2.20	SCH ISSUE: DATE: 1.50 FEB/08/94
		TITLE: AP-1200_INPUT_&_FILT

SERVICE WARNING: POTENTIALS CLOSE TO 200 VDC, USE CAUTION.

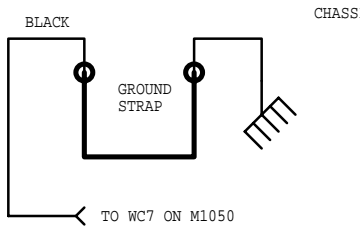
POWER SUPPLY



FAN SPEED CONTROL CIRCUIT



- BDX53C
- BCE
- BC550C
- CBE
- MPSA06
- MPSA56
- EBC



M1051.SCH DATABASE HISTORY

#	DATE	VER#	DESCRIPTION OF CHANGE
1	JUN/23/94	1.70	PC#4529_BD651-->BDX53C
2	JAN/25/95	1.80	PC#4367_C2_10n-->4n7
3			
4			
5			
6			
7			
8			
9			
10			

NOTE: CAPACITOR VOLTAGE RATINGS SHOWN ARE MINIMUM REQUIRED. ACTUAL PARTS MAY HAVE HIGHER VOLTAGE RATINGS. ALL UNMARKED DIODES ARE 1N4148.

YORKVILLE	DATE: JAN/25/95	MODELS: AUDIOPRO_1200	SCH ISSUE: 1.80
	NAME: M1051.SCH	PCB#&VER: M1051-4.00	TITLE: SUPPLY?FAN_PCB

PREV. CODE	COMPONENT CODE	DESCRIPTION	REQ.QTY						
10	3570	14 PIN SCKT 641261/3 OR W3114T	1.000						
180	6405	RED 3MM LED 1V7 5MA BRIGHT PACE	3.000						
180	6409	RED 3MM LED 1V7 2MA LOW CURRENT	1.000						
180	6410	GREEN 3MM LED 1V7 5MA BULK BRIGHT	3.000						
200	6419	BRIDGE 35A 400V WIRE LEAD GI3504	2.000						
210	6425	BAV21 200V 0A25 DIODE T&R	12.000						
210	6438	1N4004 400V 1A0 DIODE T&R	11.000						
210	6825	1N4148 75V 0A45 DIODE T&R	51.000						
210	6934	MR854 400V 3A0 DIODE FAST RECOV	12.000						
303	6439	1N5225B 3V0 0W5 ZENER 5% T&R	2.000						
304	6440	1N750ARL 4V7 0W5 ZENER 5% T&R	5.000						
310	6461	1N5240BRL 10V0 0W5 ZENER 5% T&R	6.000						
314	6486	1N5244B 14V0 0W5 ZENER 5% T&R	2.000						
316	6824	1N5246B 16V0 0W5 ZENER 5% T&R	7.000						
318	6432	1N5248B 18V0 0W5 ZENER 5% T&R	3.000						
320	6429	1N4747A 20V0 1W0 ZENER 5% T&R	4.000						
320	6465	1N5250B 20V0 0W5 ZENER 5% T&R	1.000						
327	6426	1N5254B 27V0 0W5 ZENER 5% T&R	2.000						
330	6485	1N5256C 30V0 0W5 ZENER 2% T&R	2.000						
400	5101	BC550C TO92 NPN TRANS. T&R	20.000						
400	5102	BC560C TO92 PNP TRANS. T&R	16.000						
400	5103	MPSA06 TO92 NPN TRANS. T&R	2.000						
400	5104	MPSA56 TO92 PNP TRANS. T&R	1.000						
425	5105	MPSA13 TO92 NPN DARLINGTON&R	1.000						
425	5106	MPSA63 TO92 PNP DARLINGTON&R	1.000						
500	6873	MJE340 TO126 NPN TRANS	1.000						
500	6913	2N6045 BD649TO220 NPN DARLINGTON	1.000						
525	6911	BDX54C TO220 PNP DARLINGTON	1.000						
525	6912	BDX53C TO220 NPN DARLINGTON	1.000						
550	6737	MTP12P10 TO220 P CHAN MOSFET	2.000						
550	6752	MTP10N15L TO220 N CHAN MOSFET	2.000						
550	6781	MTW14P20 TO247 P CHAN MOSFET	2.000						
550	6924	MTW10N40E TO247 N CHAN MOSFET	2.000						
600	6900	MJ15022 TO3 NPN TRANS.	8.000						
625	6927	MJ15023 TO3 PNP TRANS.	8.000						
700	6840	MC33078P IC DUAL OP AMP	5.000						
700	6882	TL072CP IC FET DUAL OP AMP	2.000						
805	5190	MBS4992 TO92 00A DIAC T&R	2.000						
810	6444	MAC224-4 TO220 40A TRIAC 200V	2.000						
890	6860	VTL5C8 OPTO-COUPLER	2.000						
890	6869	4N25 OPTO-COUPLER	4.000						
890	6880	4N35 OPTO-COUPLER	2.000						
891	6477	100K 5% 1/4W THERMISTOR T&R 0.2	3.000						
5106	5408	_47P 100V 10%CAP T&R BEAD NPO	2.000						
5138	5410	100P 100V 10%CAP T&R BEAD NPO	2.000						
5170	5412	220P 100V 10%CAP T&R BEAD NPO	8.000						
5186	5417	330P 50V 10%CAP T&R BEAD NPO	4.000						
5202	5201	470P 100V 5%CAP T&R RAD CER.2"NPO	2.000						
5202	5416	470P 50V 10%CAP T&R BEAD NPO	6.000						
5202	5819	470P 160V 1%CAP T&R AXIAL FILM	2.000						
5218	5420	680P 50V 10%CAP T&R BEAD NPO	2.000						
5236	5206	_1N 400V 5%CAP T&R RADIAL.2"FILM	2.000						
5236	5422	_1N 50V 10%CAP T&R BEAD NPO	4.000						
5300	6451	_4N7 250V 20%CAP AC Y ONLY RAD10MM	1.000						
5332	5204	_10N 100V 10%CAP T&R RADIAL.2"FILM	2.000						
5348	5936	_15N 400V 10%CAP RAD POLYFILM BULK	2.000						
5364	5210	_22N 100V 10%CAP T&R RADIAL.2"FILM	5.000						
5364	6435	_22N 275V 20%CAP AC X2 RAD BLK15MM	2.000						
5396	5224	_47N 100V 10%CAP T&R RADIAL.2"FILM	3.000						
5396	5308	_47N 50V 10%CAP T&R BEAD X7R	1.000						
5412	5226	_68N 100V 5%CAP T&R RADIAL.2"FILM	2.000						
5420	5227	_82N 100V 5%CAP T&R RADIAL.2"FILM	4.000						
5428	5228	100N 100V 5%CAP T&R RADIAL.2"FILM	8.000						
5428	5314	100N 50V 10%CAP T&R BEAD X7R	13.000						
5444	5229	150N 63V 10%CAP T&R RADIAL.2"FILM	2.000						
5460	5231	220N 63V 10%CAP T&R RADIAL.2"FILM	10.000						
5460	5600	220N 100V 10%CAP RAD POLYFILM BULK	4.000						
5492	5234	470N 63V 10%CAP T&R RADIAL.2"FILM	2.000						
5524	5255	_1U 63V 20%CAP T&R RADIAL ELE.2"	3.000						
5524	5876	_1U 63V 20%CAP T&R AXIAL ELECTRO	2.000						
5588	5861	_4U7 63V 10%CAP T&R AXIAL ELECTRO	1.000						
5596	5259	_4U7 63V 20%CAP T&R RADIAL ELE.2"	2.000						
5620	5281	_10U 16V 20%CAP NONPOLAR T&R .2"	4.000						
5620	5945	_10U 63V 20%CAP T&R RADIAL ELECTR	1.000						
5652	5260	_22U 50V 20%CAP T&R RADIAL ELE.2"	8.000						
5684	5627	_47U 10V 20%CAP NONPOLAR RAD BULK	6.000						
5716	5267	100U 25V 20%CAP T&R RADIAL ELE.2"	7.000						
5748	5883	220U 100V 5%CAP RADIAL ELECT BULK	2.000						
5780	5621	470U 63V 20%CAP RADIAL ELECT BULK	7.000						
5780	5632	470U 63V 20%CAP RAD ELECT"LOW"ESR	6.000						
5884	5890	5600U 100V 20%CAP RAD ELECT 35X50MM	4.000						
6040	4522	4K7 TRIM POT	2.000						
6292	4400	_10K 25A-AUD/DETENT STYLE"P15"16MM	2.000						
ANODIZ M802ANO		AP-SERIES FACEPLATE ANODIZING	1.000						
	B1200	3590 12.0 AMP SWITCH BREAKER WHITE	1.000						
	BAG	714 1.5 MIL X 48" CLEAR POLY SHEETING	4.000						
	C584	3820 4UH COIL 14AWG ZOBEL HORIZONTAL	2.000						
	CLIPS	3464 WIRE TO BOARD CRIMP 18-24 AWGT/LEAD	4.000						
	CLIPS	3490 CLIP 250X032 14-16AWG DISCO/INSL	6.000						
	CLIPS	3499 CLIP 250X032 14-16AWG FEMALE BULK	1.000						
	CONN	3447 DUAL BINDING POST TPP3	2.000						
	CONN	3498 M203-02 PLAIN PC MNT JK SKT	2.000						
	CONXL	3660 FEMALE PC MOUNT XLR NTRX.NC3FPR-H-O	2.000						
	EYELET	3451 0.089 OD SMALL EYELET ELECTROPLATED	27.000						
	EYELET	3542 SE44 LARGE EYELET TIN-PLATED BRASS	29.000						
	FXAN	3630 FAN GUARD METAL 80MM CHROME	1.000						
	FXAN	3860 FAN 80MM X 80MM 40CFM 12VDC	1.000						
	HANDLE	8696 AP-SERIES HANDLE- BARE 6061-T6 ALUM	2.000						
	HANDLE	8696ANO U-SHAPE OVAL ALUM. GRAY ANO HANDLE	2.000						
	HDWBA	3692 HEATSINK THERMALUY 6079-PB	1.000						
	HDWELC	3501 B52200F006 COMP WASH #4 SMALL	12.000						
	HDWELC	3789 TERMINAL STRIP (BEAU/ZIERICK)	1.000						
	HDWELC	3806 RECTANGULAR WASHER FOR TRANS SUPPRT	2.000						
	HDWELC	3892 AAVID 5307B-14 3FIN HEATSINK BO	1.000						
	HDWELC	8609 VINYL CAP 0.025" X 1/2" BLK.	4.000						
	HDWFIN	3545 ANGLE BRACKET .5" X .5" X .5"	4.000						
	HDWFIN	3857 VELCRO HOOK	.500						
	HDWMS	8498 6-32 X 3/8 STEEL PEM STUD	2.000						
	HDWMS	8500 6-32X3/4 STEEL PEM STUD	4.000						
	HDWPCB	3682 250 MALE PCB TAB	3.000						
	HDWWL	3795 #8 GROUND LUG ZIERICK 505-169	3.000						
	HDWWL	3803 NYLON SECUR-A-TACH MINI PLASTIC TIE	2.000						
	HDWWL	3810 4" NYLON CABLE TIE	11.000						
	HDWWL	3827 SQUARE BUMPER BUTTON BLACK	16.000						
	HDWWL	8766 0.125 X 0.270 ALUMINUM RIVET	4.000						
	KNB	8661 BUTTON KNOB FLAT GREY	2.000						
	KNB	8695 AP-SERIES KNOB - BARE 6061-T6 ALUM	2.000						
	KNB	8695ANO AP-SERIES KNOB ANODIZING	2.000						
	LABEL	8455 2 5/8 X 1" 30 LASER LABELS	1.000						
	LCRD	3468 8' 3/16 SJT AC LINE CORD STRIP 17"	1.000						
	LCSR	3821 HEYCO #1200 STRAIN RELIEF	1.000						
	LEXAN	8264 AP AMP CONTROL PANEL LEXAN LABEL	1.000						
	MANUAL	8910 YORKVILLE PRODUCT MANUAL	1.000						
	MDOC	8900 YORKVILLE WARRANTY CARD 2-YR UNLTD.	1.000						
	MOLEX	3520 24 PIN BREAKAWAY .156	.400						
	MOLEX	3521 SIDE ENTRY PCB CONN .156 8POS	3.000						
	MOLEX	3538 24 PIN BREAKAWAY LOCK .156	1.166						
	MOLEX	3548 SIDE ENTRY PCB CONN .156 4POS	1.000						
	MOLEX	3631 PCB CONN 9 CIR BOTTOM .156	1.000						
	MOLEX	3674 9 CIR CABLE HOLDER .098	1.000						
	N04000	8701 4-40 KEPS NUT ZINC	15.000						
	N04000	8793 4-40 HEX NUT ZINC	2.000						
	N06000	8760 6-32 KEPS NUT TIN PLATED ONLY_TIN	32.000						
	N06000	8800 6-32 KEPS NUT ZINC	23.000						
	N06025	8854 6-32 X 1/4 HEX NUT ZINC	4.000						

R630	4808	1/4W	2K	5%	T&R RES	4.000
R631	4919	1/4W	2K05	1%-NO SUBS-	T&R RES	2.000
R646	4805	1/4W	2K87	1%	T&R RES	8.000
R655	4826	1/4W	3K3	5%	T&R RES	10.000
R675	4627	1/2W	4K7	5%	T&R RES	1.000
R675	4827	1/4W	4K7	5%	T&R RES	8.000
R685	4862	1/4W	5K6	5%	T&R RES	2.000
R695	4628	1/2W	6K8	5%	T&R RES	2.000
R696	4801	1/4W	6K98	1%	T&R RES	20.000
R700	4887	1/4W	7K5	5%	T&R RES	7.000
R705	4663	1/2W	8K2	5%	T&R RES	2.000
R712	4762	1/4W	9K760.1	0.1% ***	T&R RES	8.000
R715	4629	1/2W	10K	5%	T&R RES	2.000
R715	4800	1/4W	10K0	1%	T&R RES	4.000
R715	4829	1/4W	10K	5%	T&R RES	5.000
R740	4830	1/4W	15K	5%	T&R RES	8.000
R752	4771	1/4W	17K8	1%	T&R RES	6.000
R760	4885	1/4W	20K	5%	T&R RES	2.000
R760	6123	1/4W	20K0	1%MINI MF	T&R RES	2.000
R775	4633	1/2W	27K	5%	T&R RES	5.000
R780	4890	1/4W	30K	5%	T&R RES	2.000
R782	4917	1/4W	31K6	1%	T&R RES	6.000
R785	4840	1/4W	33K	5%	T&R RES	2.000
R790	4767	1/4W	36K0	1%FLAME PROOF	T&R RES	4.000
R790	4868	1/4W	36K	5%	T&R RES	6.000
R805	4834	1/4W	47K	5%	T&R RES	8.000
R825	4836	1/4W	68K	5%	T&R RES	3.000
R836	4772	1/4W	82K5	1%	T&R RES	2.000
R845	4838	1/4W	100K	5%	T&R RES	7.000
R885	4841	1/4W	220K	5%	T&R RES	5.000
R925	4843	1/4W	470K	5%	T&R RES	4.000
R955	4861	1/4W	820K	5%	T&R RES	1.000
R965	4844	1/4W	1M	5%	T&R RES	2.000
RA1005	4845	1/4W	2M2	5%	T&R RES	1.000
RA1025	4846	1/4W	3M3	5%	T&R RES	1.000
RA1045	4888	1/4W	4M7	5%	T&R RES	2.000
RELAY	3700	RELAY:	AROMAT DS2YE-S-DC24V			1.000
RIBBON	3619	4.75"	8C-22AWG RIBBON CABLE	.156"		3.000
RIBBON	3621	10"	8C-26AWG RIBBON CABLE	.100"		1.000
RIBBON	3622	14"	14C-28AWG DIP HDR CABLE	.050"		1.000
RIBBON	3678	14"	4C-26AWG RIBBON CABLE	.100"		1.000
RSMS	9010	16GA	COLD ROLLED STEEL 4X8' SHEET			4.210
RSMS	9013	12GA	SATINCOAT STEEL 4' X 8' SHEET			.232
RSMS	9020	18GA	COLD ROLLED STEEL 4X8 SHEET			1.970
RSMS	9140	.125"	UTI ALUM 4X8 SHEET PLASTI COV			.196
RSMS	9200	.025"	UTILITY ALUMINUM 4X8 SHEET			.670
RSMS	9330	.187"	#6061-T6 ALUMINUM SHEET			
RSMS	9548	.187"	UTILITY ALUMINUM W/PLASTIC			.826
RSMS	9576	AP-1200	ALUMINUM EXTRUSION			1.700
RSMS	9583	BLACK 'U'	EXTRUSION DIE #943			.167
RSMS	9640	.025"	FISHPAPER (FLAT 48' SHEETS)			.403
S04031	8865	4-40 X	5/16 PAN PH MS BO			4.000
S04037	8742	4-40 X	3/8 PAN PH TAPTITE BO			4.000
S04037	8867	4-40 X	3/8 FILLISTER PH MS BO			2.000
S04050	8741	4-40 X	1/2 PAN PH MS BO			6.000
S04062	8871	4-40 X	5/8 PAN PH MS BO			5.000
S06025	8799	#6 X	1/4 PAN PH TYPE B BO			2.000
S06031	8807	6-32 X	5/16 PAN PH MS BO			1.000
S06037	8829	6-32 X	3/8 FLAT PH TAPTITE BO#4 HEA			12.000
S06050	8747	6-32 X	1/2 HEX ND MS ZINC			16.000
S06050	8761	6-32 X	1/2 PAN QUAD MS ZINC PLATED			32.000
S06087	8830	6-32 X	7/8 PAN PH MS BO			5.000
S08037	8802	8-32 X	3/8 PAN QUAD TPTTE BO #6HEAD			13.000
S10050	8749	10-32 X	1/2 QDX PH TAPTITE BO			4.000
S10050	8762	10-32 X	1/2 TRUSS QUAD TAPTITE BO			8.000
S10087	8833	10-32 X	7/8 HEX CAP GRD 5 BO			4.000
S31300	8740	5/16-18 X	3 GRD 5 HEX BOLT BO			1.000
SP0008	3433	0.080	SPACER OD.700 ID.330 PLASTIC			2.000
SP0017	8663	11/64	NYLON SPACER (MICRO PLASTIC)			32.000
SP0025	8656	.171 X	1/4 NYLON SPACER #SP42			4.000
SP0050	3743	SNAP ON	0.5" SPACER RICHCO			3.000
SW0012	8667	SHOULDER	WASHER SWS-229 LENGTH 1/8			6.000
SW0062	3517	NYLON	WASHER #8 0.062			8.000
SW0075	8818	3/4 OD X	5/16 ID X .08 THICK WASHER			1.000
SW0600	8485	#6	SPLIT WASHER ZINC			3.000
SW0800	8491	#10	SPLIT LOCK WASHER BO			4.000
SW1000	8817	#10	FLAT WASHER BLACK OXIDE			8.000
SW1000	8850	#10	INT TOOTH LOCKWASHER BO			4.000
SXTCH	3436	DPDT	PUSH SW PCMT H BREAK B4 MAKE			2.000
SXTCH	3689	DP3T	SLID SW PCMT SILVER CONTACTS			1.000
THERMO	3422	THERMO	SW N/CLOSED OP/140F CL/122F			1.000
WIRE	3947	RED 22	AWG TR64 PREFUSED WIRE			2.080
WIRE	3952	BLACK 22	AWG ,TR64 PREFUSED WIRE			2.080
WIRE	3966	GREEN 16	AWG PREFUSED WIRE			2.208
WIRE	3967	RED 16	AWG PREFUSED WIRE			2.416
WIRE	3968	BLUE 16	AWG PREFUSED WIRE			1.792
WIRE	3969	WHITE 16	AWG PREFUSED WIRE			1.250
WIRE	3970	BLACK 16	AWG PREFUSED WIRE			8.585
WIRE	3971	YELLOW 16	AWG PREFUSED WIRE			2.250
XFMR	1306	AP-1200			T'RD	1.000

XTERNL	M850P	BLACK ANNODIZE AP-1200 HEATSINK	4.000
Z	&	-- RADIAL STARTS HERE	4.000
Z	*		7.000
Z	?	-----IC STARTS HERE-----	2.000
ZBAREB	*M15.7X8.6	M1048 BLANK AP1200 2 OZ. COPPER PCB	1.000
ZBAREB	*M16.5X9	M1051 X 5 AP1200 2 OZ. COPPER PCB	.200
ZBAREB	M13X9.5	M1050 X 2 AP-1200 INPUT BOARD PCB	.500
ZCARTO		801 NEW AP-500/1200/3000 CARTON	1.000
ZCARTO		802 AP-1200/3000 CARTON PAD	1.000
ZCARTO		8968 9 X13" 3 MIL PLASTIC ENVELOPE	1.000
ZFOAM		8382 1/16"X6X3 3/8 20 PPI	3.000
ZFOAM		8383 CLOSED CELL FOAM TAPE 1/4"X1/2"X40"	.600
ZSUBAS	M14X11	M1049 X 2 AP-1200 VOLTAGE AMP. PCB	.500