



**WORLD HEADQUARTERS
CANADA**

Yorkville Sound
550 Granite Court
Pickering, Ontario
L1W-3Y8 CANADA

Voice: (905) 837-8481
Fax: (905) 837-8746

U.S.A.

Yorkville Sound Inc.
4625 Witmer Industrial Estate
Niagara Falls, New York
14305 USA

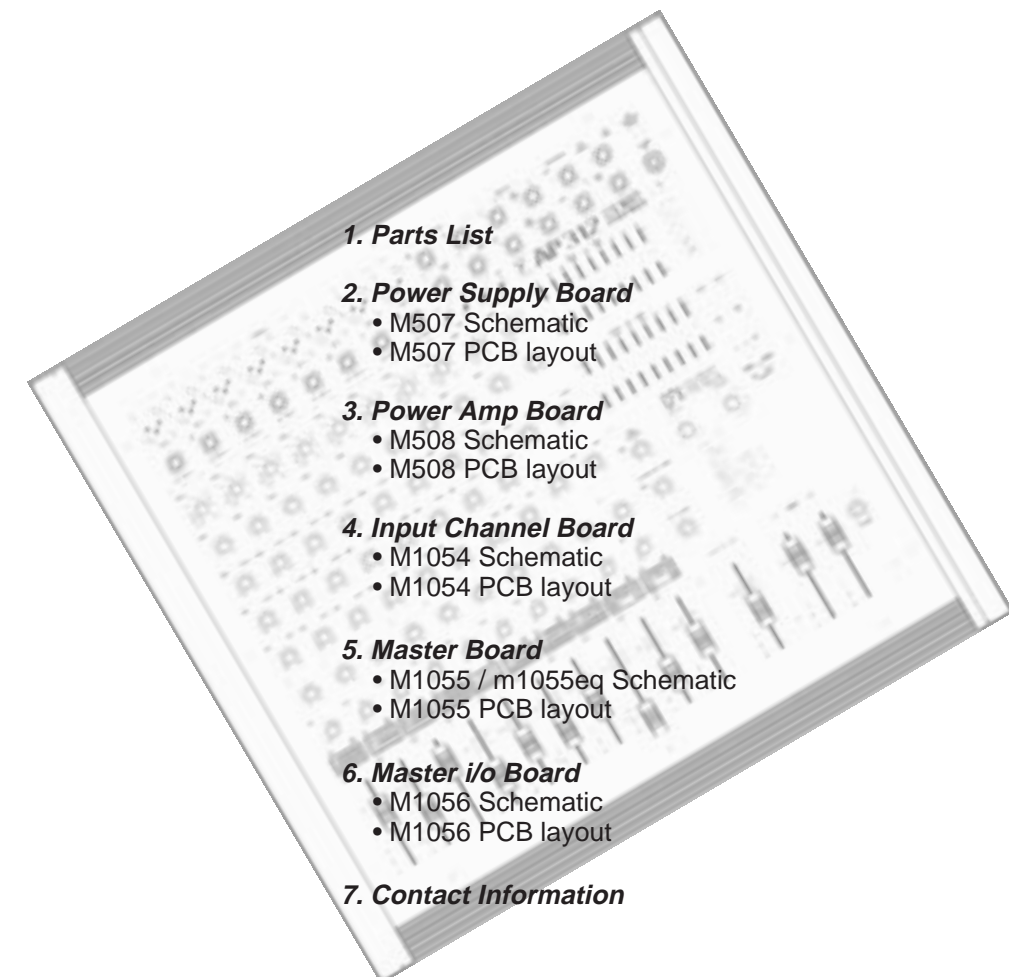
Voice: (716) 297-2920
Fax: (716) 297-3689



Quality and Innovation Since 1963
Printed in Canada



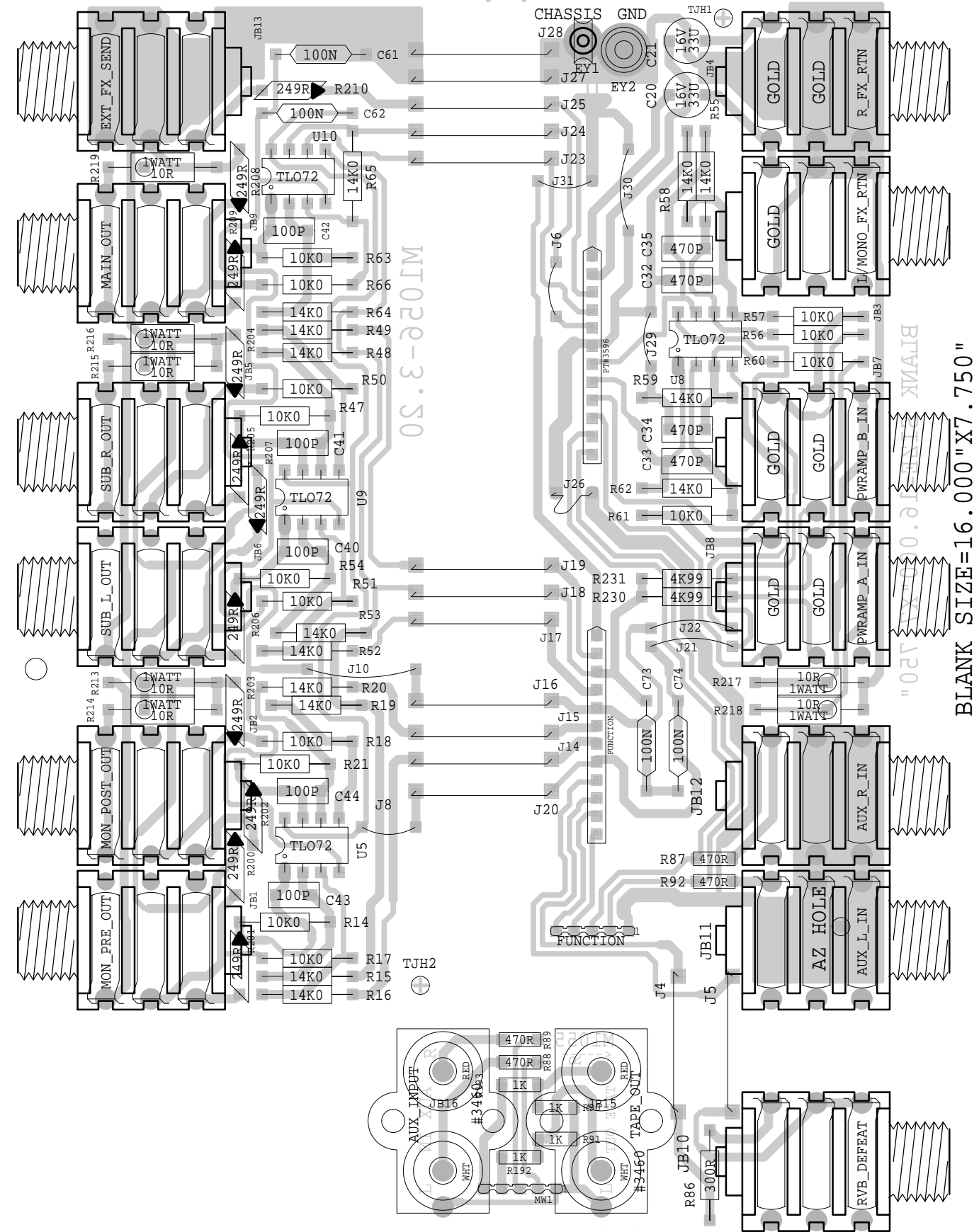
AP508/512

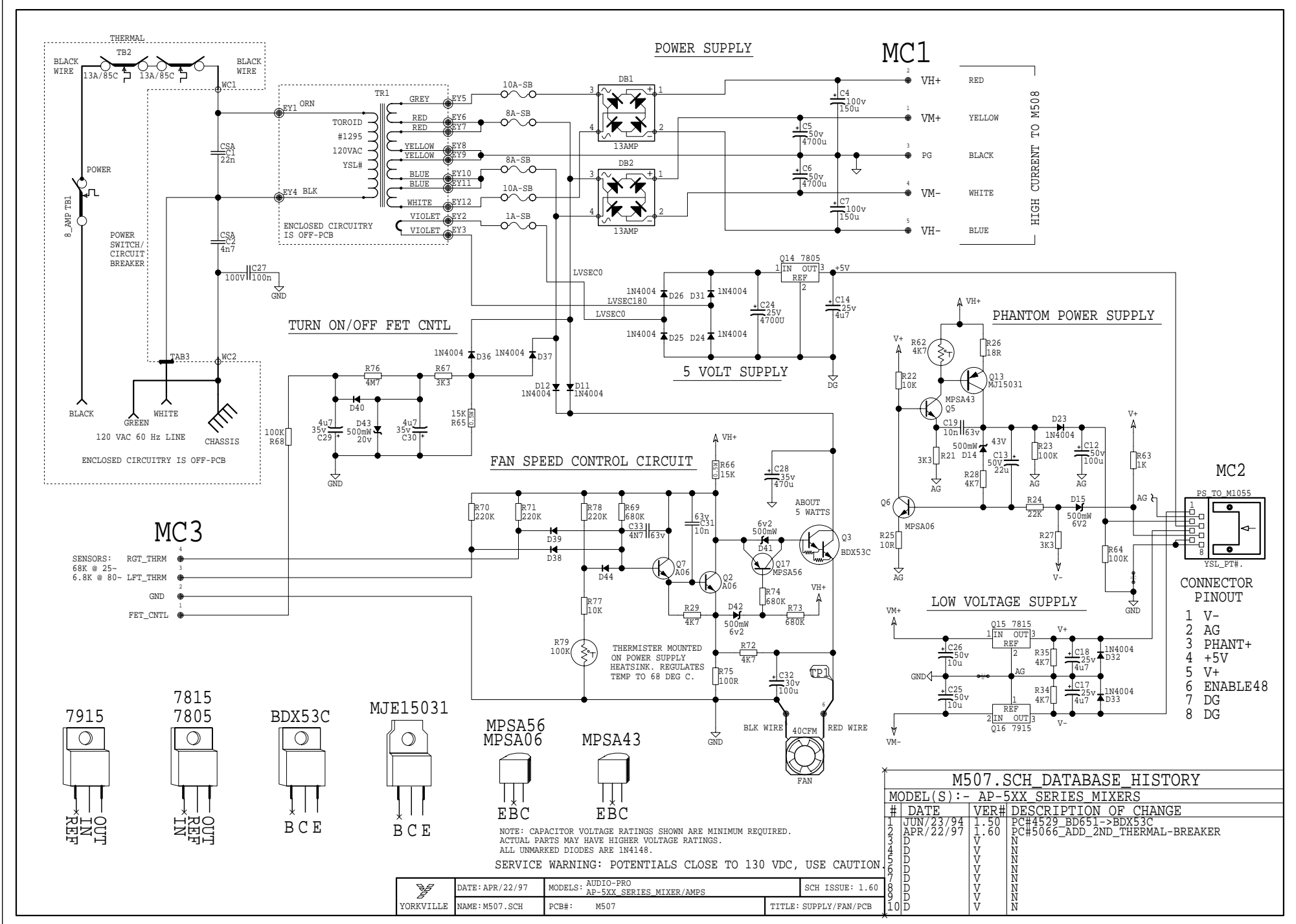


SERVICE MANUAL

AP5xx Parts List 11/4/98

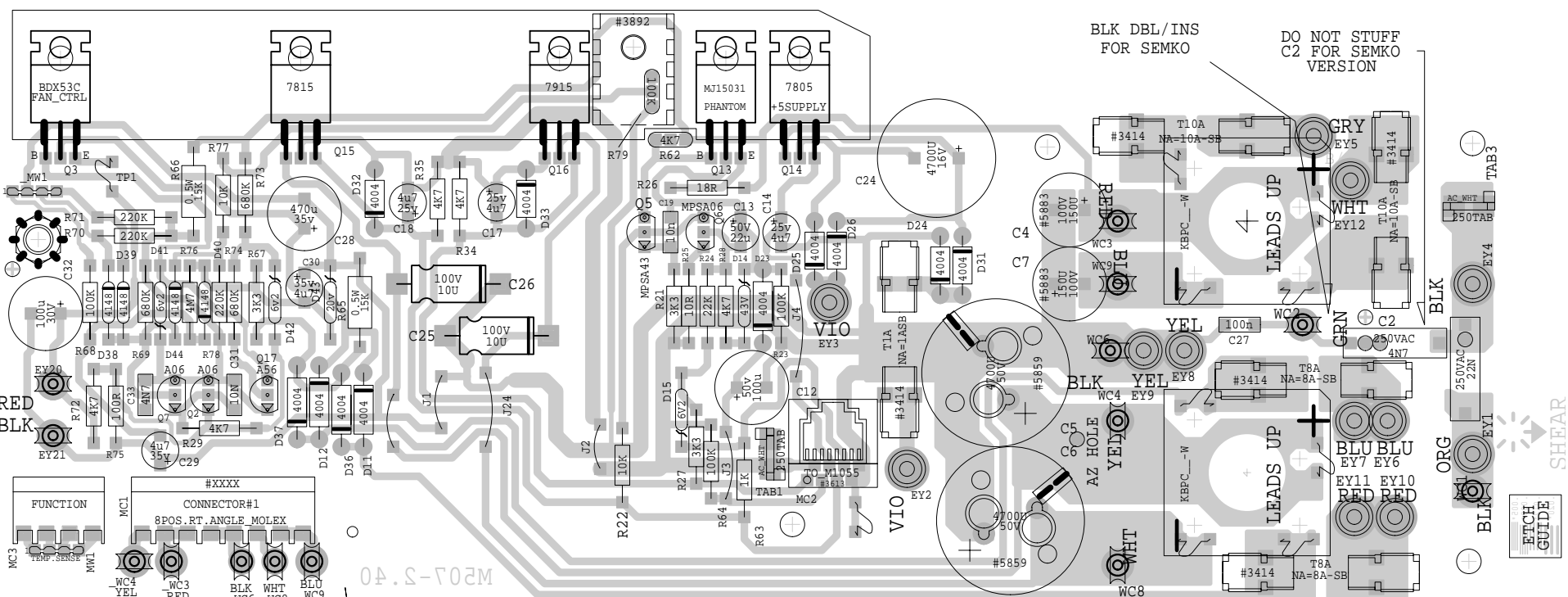
YS No.	Description	Qty.	YS No.	Description	Qty.
4955	1/4W 8K2 5% .2"U T&R RES	16	3437	DPDT PUSH SW PCMT V MINI UGT 3522	5
4762	1/4W 9K760 0.1% *** T&R RES	8	3439	SP SERIES VERTICAL MOM PCB SWITCH	2
4800	1/4W 10K0 1% T&R RES	18	8454	3M #396 1" ADHESIVE TAPE	1.67
4829	1/4W 10K 5% T&R RES	35	8887	1/2" 2 SIDED TAPE A.E.BLAKE# 969	1
4940	1/4W 10K 5% .2"U T&R RES	52	3409	THERMO SW N/CLOSED OP/184F CL/144F	1
4856	1/4W 12K 5% T&R RES	3	3422	THERMO/BRKR:N/CLOSED OPEN@60C	1
4953	1/4W 12K 5% .2"U T&R RES	1	1295	AP-508/512 T?RD	1
4775	1/4W 14K0 1% T&R RES	38		AP-1212 MASTER SECTION BOARD	1
4630	1/2W 15K 5% T&R RES	2		ALESIS DIG RVB BOARD	1
4830	1/4W 15K 5% T&R RES	2	0.25	M1053 X 25 AP-1212 JACK PCB:	0.32
4831	1/4W 18K 5% T&R RES	11		M1062 X 20 ALESIS BUFFER BRD	0.05
4954	1/4W 18K 5% .2"U T&R RES	1		M1015 X 18 AP-1212 LED GUIDE	0.112
4832	1/4W 22K 5% T&R RES	3	0.4	M1054 X 2 AP-1212 MIXER PCB	1
4902	1/4W 24K 5% T&R RES	3		M1081X3, M1056X3, PCB	0.33
4833	1/4W 27K 5% T&R RES	4			
4956	1/4W 27K 5% .2"U T&R RES	4			
4890	1/4W 30K 5% T&R RES	1			
4941	1/4W 30K 5% .2"U T&R RES	10			
4917	1/4W 31K6 1% T&R RES	6			
4840	1/4W 33K 5% T&R RES	2			
4947	1/4W 33K 5% .2"U T&R RES	22			
6122	1/4W 33K 5%MINI T&R RES	8			
4878	1/4W 43K 5% T&R RES	2			
4834	1/4W 47K 5% T&R RES	3			
4927	1/4W 47K 5% .2"U T&R RES	19			
4835	1/4W 56K 5% T&R RES	5			
4928	1/4W 56K 5% .2"U T&R RES	9			
4837	1/4W 82K 5% T&R RES	8			
4929	1/4W 82K 5% .2"U T&R RES	12			
4838	1/4W 100K 5% T&R RES	7			
4942	1/4W 100K 5% .2"U T&R RES	2			
6120	1/4W 100K 5%MINI T&R RES	4			
4849	1/4W 180K 5% T&R RES	4			
4949	1/4W 180K 5% .2"U T&R RES	2			
4841	1/4W 220K 5% T&R RES	7			
4843	1/4W 470K 5% T&R RES	2			
4880	1/4W 680K 5% T&R RES	3			
4844	1/4W 1M 5% T&R RES	12			
4948	1/4W 1M 5% .2"U T&R RES	4			
4888	1/4W 4M7 5% T&R RES	5			
4951	1/4W 4M7 5% .2"U T&R RES	8			
3612	23" 9C-24AWG RIBBON HEAVY DUT.100"	1			
3614	16" 8C-24AWG TELEPHONE CABLE .050"	1			
3625	4.5" 5C-26AWG RIBBON CABLE .100"	1			
3626	12" 16C-28AWG RIBBON CABLE SOCKETS	1			
3639	1.7"12C-26AWG RIBBON CABLE 0.25" S&R	2			
3678	14" 4C-26AWG RIBBON CABLE .100"	1			
3679	6" 12C-28AWG RIBBON CABLE .100"	2			
8865	4-40 X 5/16 PAN PH MS SJ500	21			
8742	4-40 X 3/8 PAN PH TAPTITE JS500	35			
8861	4-40 X 3/8 PAN PH MS SJ500	2			
8741	4-40 X 1/2 PAN PH MS JS500	1			
8871	4-40 X 5/8 PAN PH MS SJ500	6			
8799	#6 X 1/4 PAN PH TYPE B JS500	1			
8832	6-32 X 1/4 PAN PH TAPTITE SJ500	5			
8807	6-32 X 5/16 PAN PH MS SJ500	8			
8829	6-32 X 3/8 FLAT PH TAPTITE BO#4 HEA	8			
8823	6-32 X 1 PAN PH TAPTITE SJ500	2			
8838	6-32 X 1 HEX ND MS ZINC	4			
8802	8-32 X 3/8 PAN QUAD TPTTE SJ500 #6H	7			
8803	8-32 X 3/8 PAN QUAD TAPTITE SJ500	4			
8815	8-32 X 3/4 PAN PH TAPTITE SJ500	6			
8809	10-32 X 1/4 PAN PH TAPTITE SJ500	3			
8749	10-32 X 1/2 QDX PH TAPTITE JS500	12			
8783	10-32 X 1 PAN QUAD TT JS500 BLACK	4			
8740	5/16-18 X 3 GRD 5 HEX BOLT JS500	1			
8656	.171 X 1/4 NYLON SPACER #SP42	4			
3833	8 X 3/8 (250 OD,.171 ID)NY SPACER	2			
3739	CUSTOM .4 LED SPACER	16			
3851	1/2 PCB PLASTIC SPACER	7			
3859	1/2 PLASTIC HEX SPACER #4	4			
3858	3/4 PLASTIC HEX SPACER #4	11			
8657	6-32 X 3/8" HEX SPACER ALUMINUM	4			
8667	SHOULDER WASHER SWS-229 LENGTH 1/8	1			
3517	NYLON WASHER #8 0.062	6			
3511	#6 FLAT WASHER NYLON	8			
8485	#6 SPLIT WASHER ZINC	6			
8491	#10 SPLIT LOCK WASHER BO	4			
8820	#8 FLAT WASHER SJ500	4			
8850	#10 INT TOOTH LOCKWASHER BO	2			



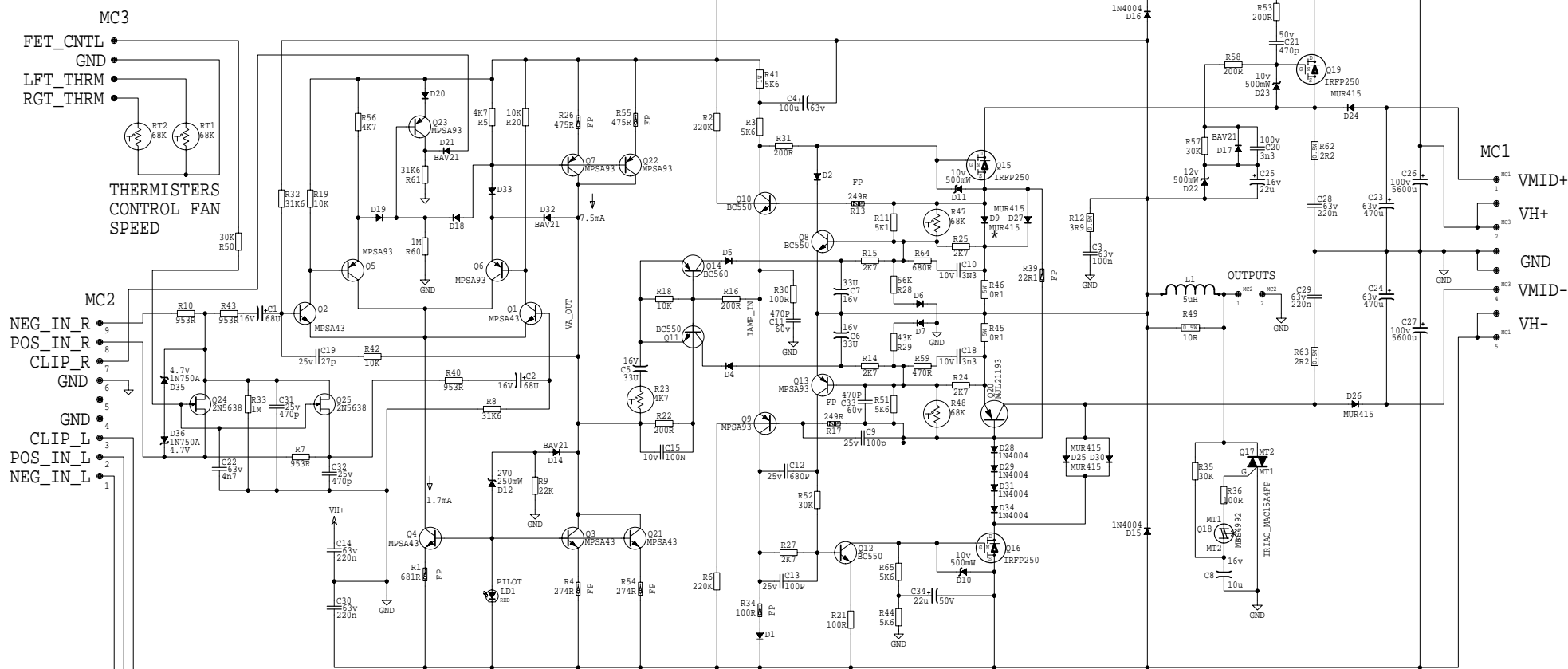


"002_EX"02S.SI=ES12
BLANK SIZE=12.250"X9.

SHEAR

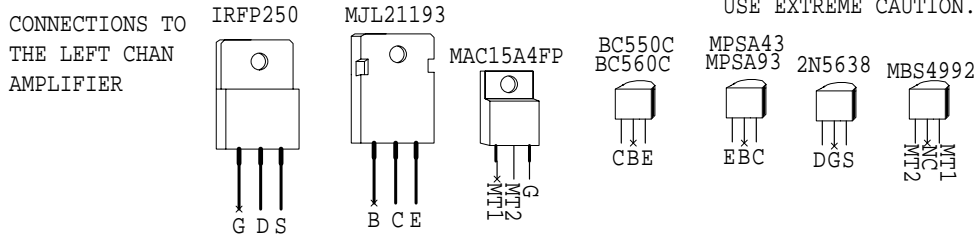


A



SERVICE WARNING: POTENTIALS GREATER THAN 130VDC PRESENT.

USE EXTREME CAUTION.

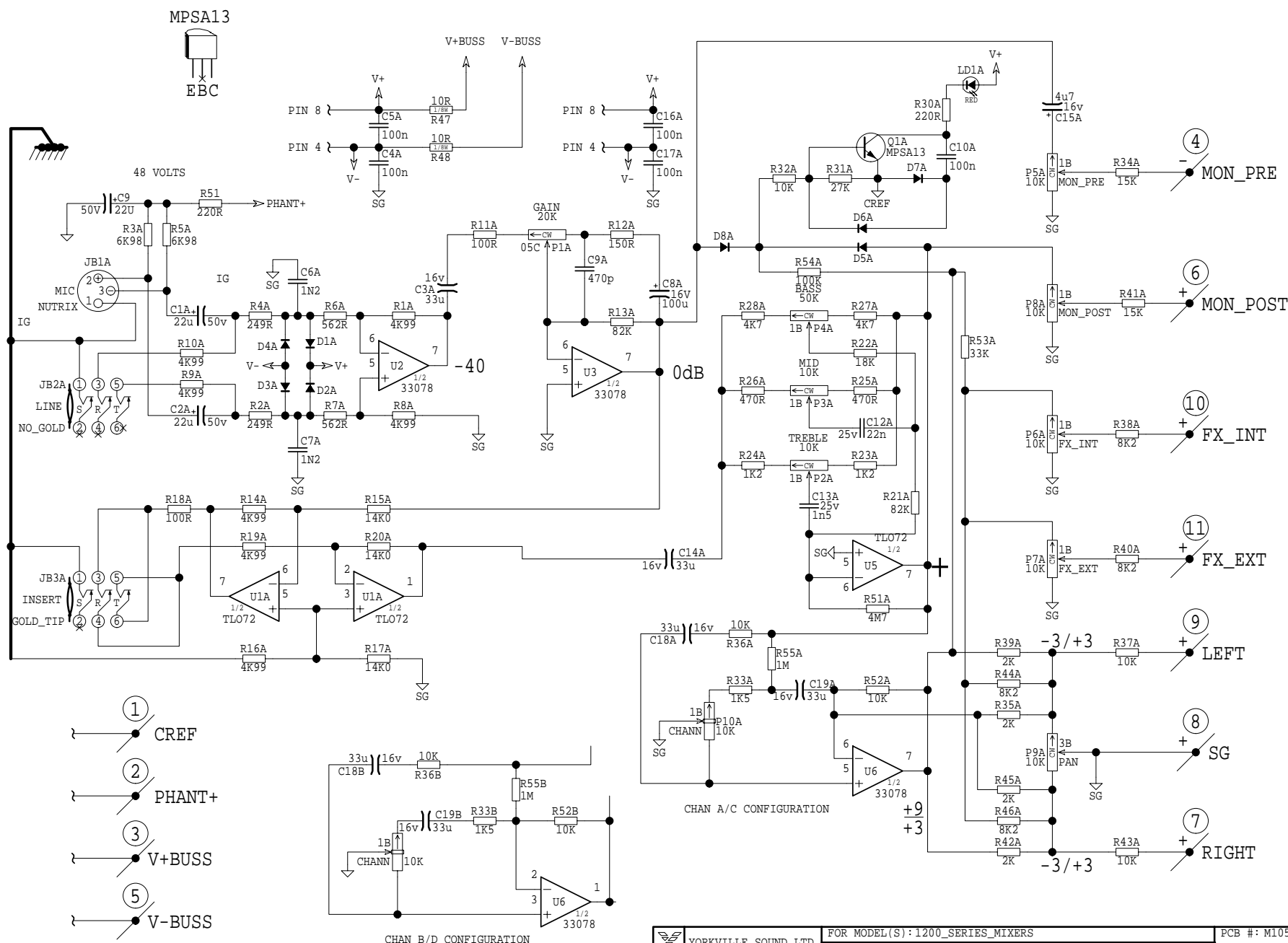


CLIP_L
POS_IN_L
NEG_IN_L

CONNECTIONS TO
THE LEFT CHAN
AMPLIFIER

YORKVILLE	DATE: JUNE/15/94	MODEL: AUDIOPRO_5XX_SERIES MIXERS	SCH ISSUE: 2.80
	NAME: M508.SCH	PCB#&VER: M508-3.10	TITLE: PWR_AMP

A



- ① CREF
- ② PHANT+
- ③ V+BUSS
- ⑤ V-BUSS
- ⑧ BUSS PIN NUMBER

YORKVILLE SOUND LTD	FOR MODEL(S): 1200_SERIES_MIXERS	PCB #: M1054
CAD FILE NAME: C:\PCAD\EXE\M1054.SCH	DESIGN BY: PFI & GA PCB VER: M1054-3.10	DWG #: 1 OF 1
DATE: MAR/25/97	SCH ISSUE: 2.00	TITLE: CHANNEL_STRIP

ASSEMBLY M508-3.10
PCB MECH M508-3.00

REVERSE SIDE M508-3.00

"250.8X" 25.71=EN12 KMA1B
BLANK SIZE=17.35"X8.625"

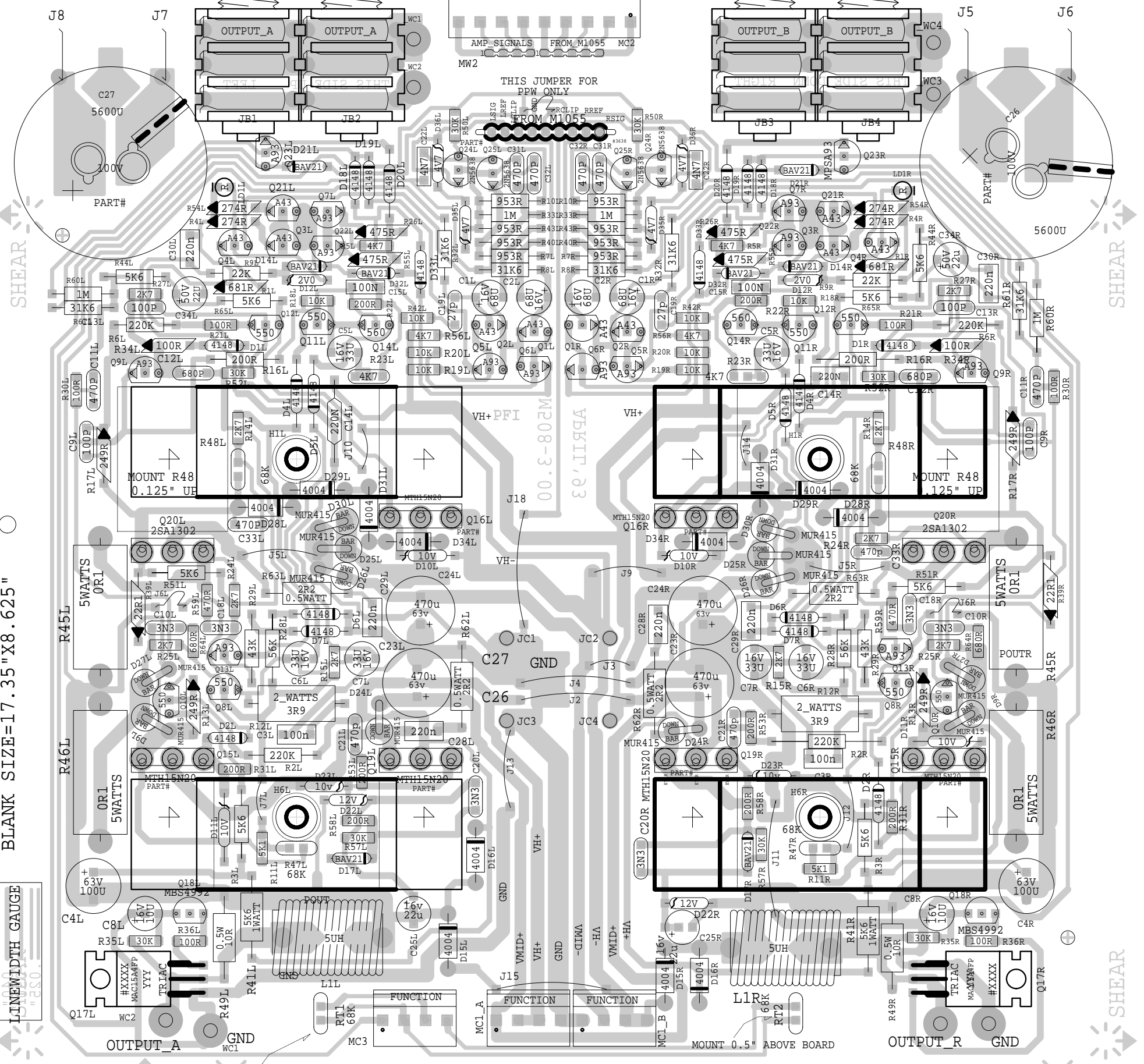
LINEWIDTH GAUGE

WIRES:
OUTPUT A: 18" YEL
GND_A: 18" BLACK.

MOUNT 0.5" ABOVE BOARD

WIRES:
OUTPUT B: 14" RED.
GND_B: 14" BLACK.

SHEAR



SHEAR

ASSEMBLY M1054-3.10
PCB MECH M1054-3.10

SHEAR

SHEAR

SHEAR

GUIDE ETCH

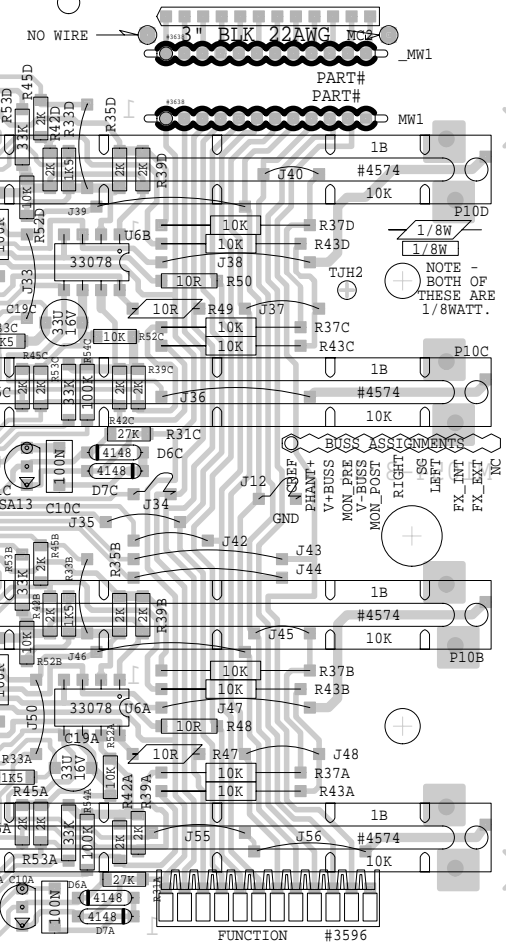
ETCH GUIDE

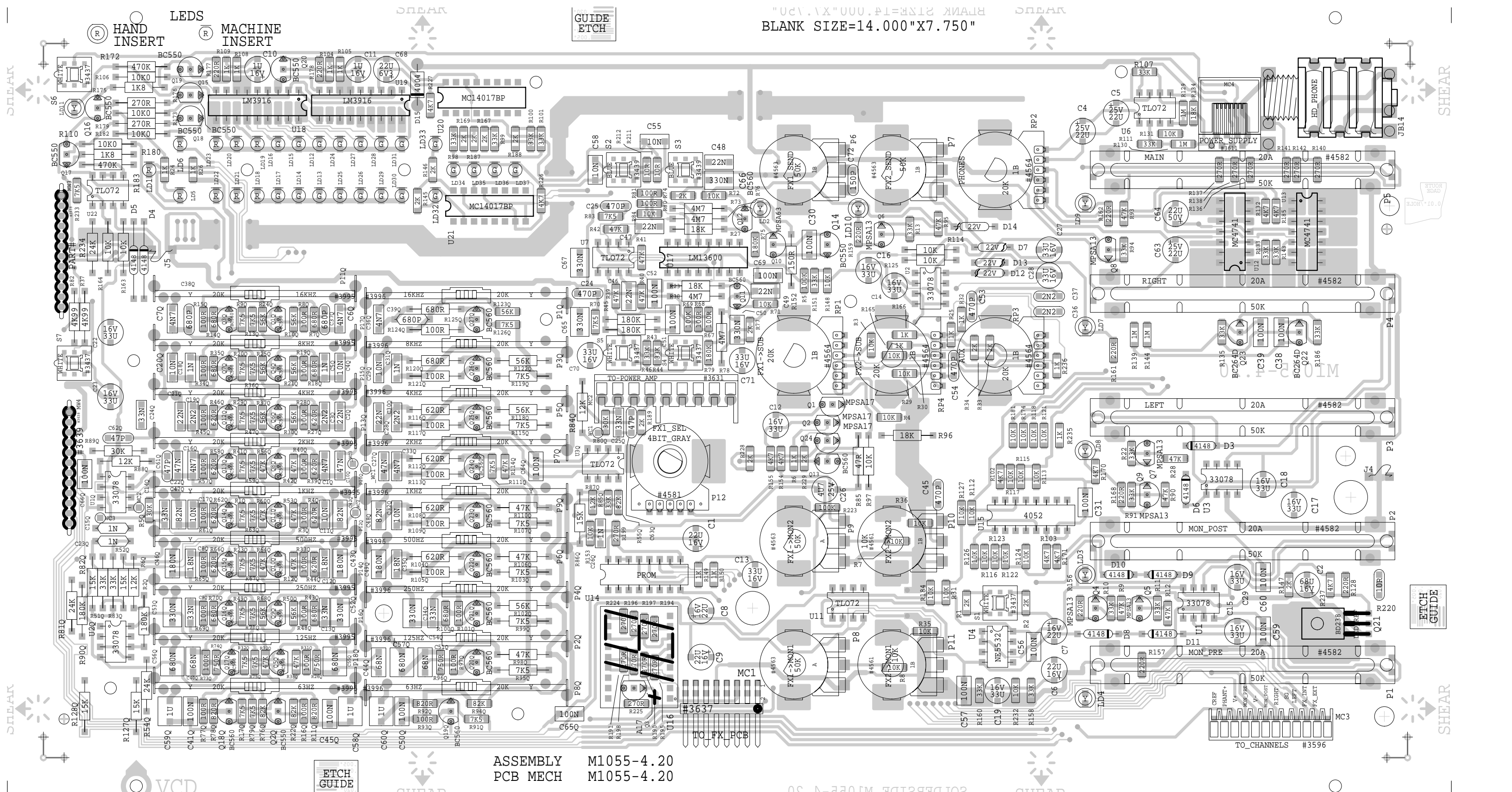
SHEAR

SHEAR

SOLDSIDE M1054-3.10

BLANK SIZE=16.850"X11.400"
"004"11X"16.850"X11.400"





ASSEMBLY M1055-4.20
PCB MECH M1055-4.20

PRODUCTION NOTES

- Q21 MOUNTING
 - #3501 #8793
 - #8861 #8492
- PCB TO CHASSIS MOUNTING
 - #8701
 - #8871 #8682
- LED DISPLAY MOUNTING
 - #8701
 - #8656 #8682 MASONITE LED GUIDE M1015
 - #8682 #8871 #8871 #8682 PCB

M1055.PCB_DATABASE_HISTORY			
MODEL(S) :- AP-MIXERS			
#	DATE	VER#	DESCRIPTION OF CHANGE
1	JAN/25/96	4.10	PC#4960 ALL RADIAL PART HOLES TO 0.040" RADIAL RESISTORS
2	.	.	TO.190 Z. MOVED SHORTING TRACES
3	.	.	PC#4979 POT SPACING CORRECTED
4	MAR/12/96	4.20	PC#XXXX RADIAL RESISTORS TO .200 SPACING
5	.	.	
6	.	.	
7	.	.	
8	.	.	
9	.	.	
10	.	.	
11	.	.	