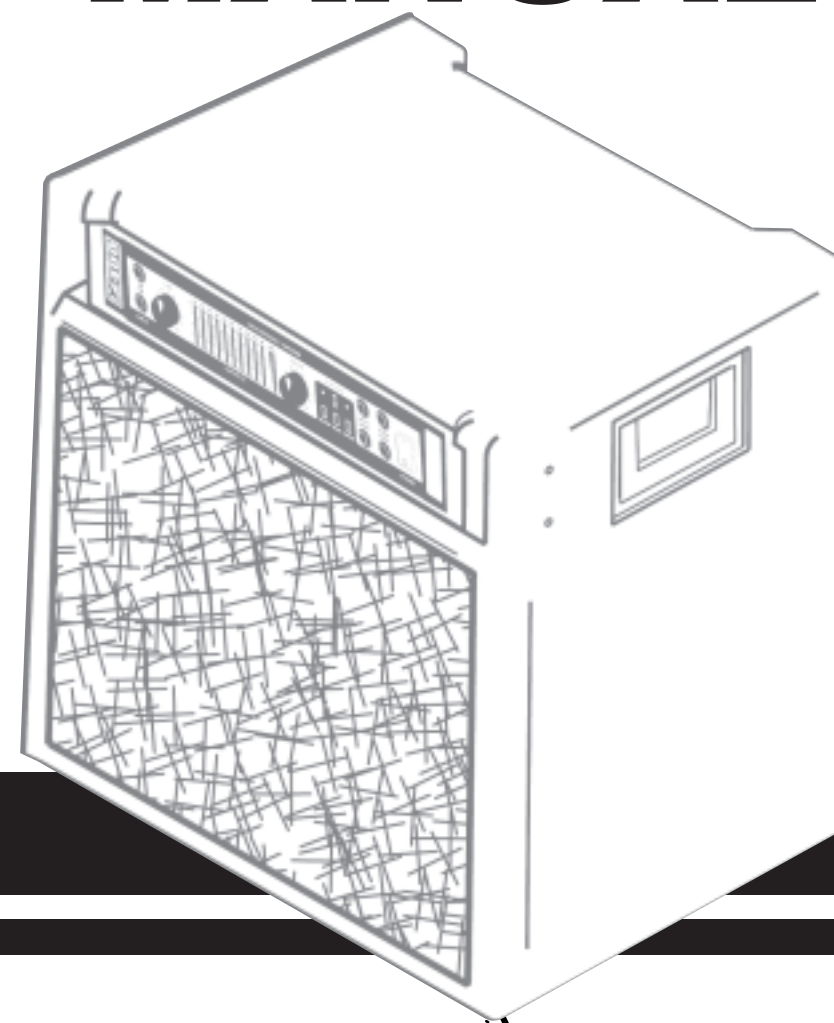




**BASS MASTER**  
**400**

# **SERVICE MANUAL**



## **WORLD HEADQUARTERS CANADA**

**Yorkville Sound**  
550 Granite Court  
Pickering, Ontario  
L1W-3Y8 CANADA

Voice: (905) 837-8481  
Fax: (905) 837-8746

## **U.S.A.**

**Yorkville Sound Inc.**  
4625 Witmer Industrial Estate  
Niagara Falls, New York  
14305 USA

Voice: (716) 297-2920  
Fax: (716) 297-3689



s-bm400-1v1.pdf Sept05/2000

**Quality and Innovation Since 1963**

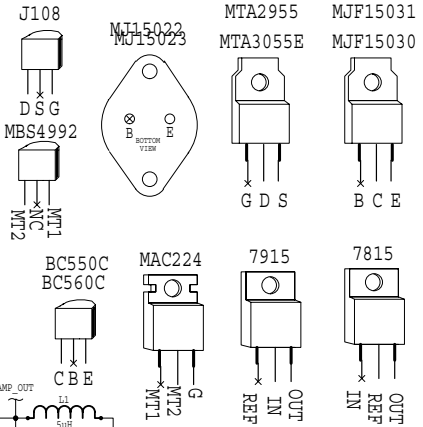
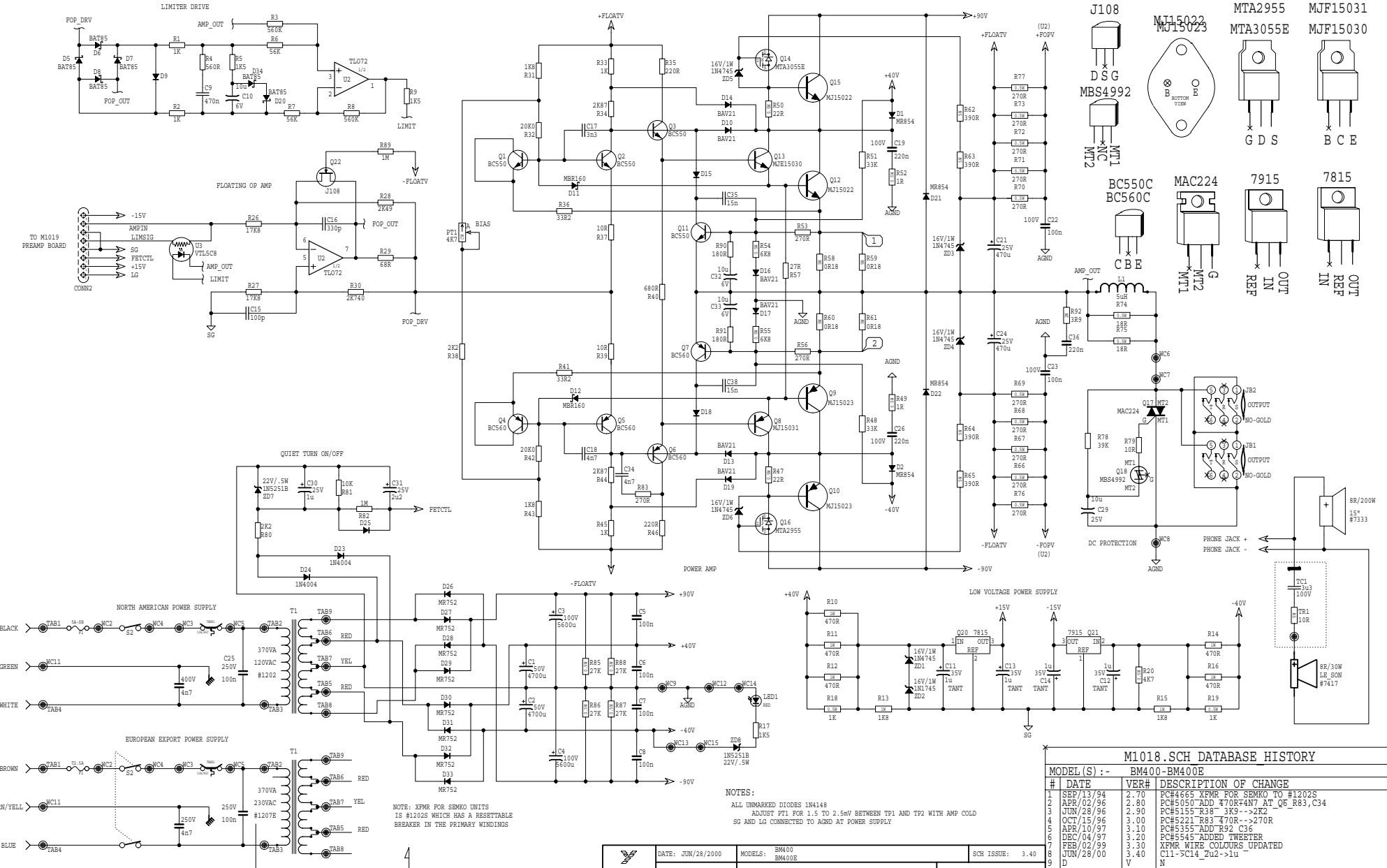
Printed in Canada



WARNING: 180VDC IS BETWEEN POWER SUPPLIES.

THIS PRESENTS A SIGNIFICANT SHOCK HAZARD.

PLEASE, USE EXTREME CAUTION WHEN SERVICING!



NOTE: XPMR FOR SEMKO UNITS IS #12025 WHICH HAS A RESETTABLE BREAKER IN THE PRIMARY WINDINGS

NOTES:  
ALL UNMARKED DIODES 1N4148  
ADJUST P21 FOR 1.5 TO 2.5mV BETWEEN TP1 AND TP2 WITH AMP COLD  
SG AND LG CONNECTED TO AGND AT POWER SUPPLY

M1018_SCH DATABASE HISTORY			
#	DATE	VER#	DESCRIPTION OF CHANGE
1	SEP/13/94	2.70	PCH4665 XPMR FOR SEMKO TO #12025
2	APR/02/96	2.80	PCH5050 ADD #70R4N7 AT_Q8_R83,C34
3	JUN/28/96	2.90	PCH5155 R38 3K9->2K2
4	OCT/15/96	3.00	PCH5221 R83 470R->270R
5	APR/10/97	3.10	PCH5355 ADD R92 C36
6	DEC/04/97	3.20	PCH5545 ADDED TWISTEER
7	FEB/02/99	3.30	XPMR WIRE COLOURS UPDATED
8	JUN/28/00	3.40	C11->C14_u2->1u
9	D	N	
10	D	N	

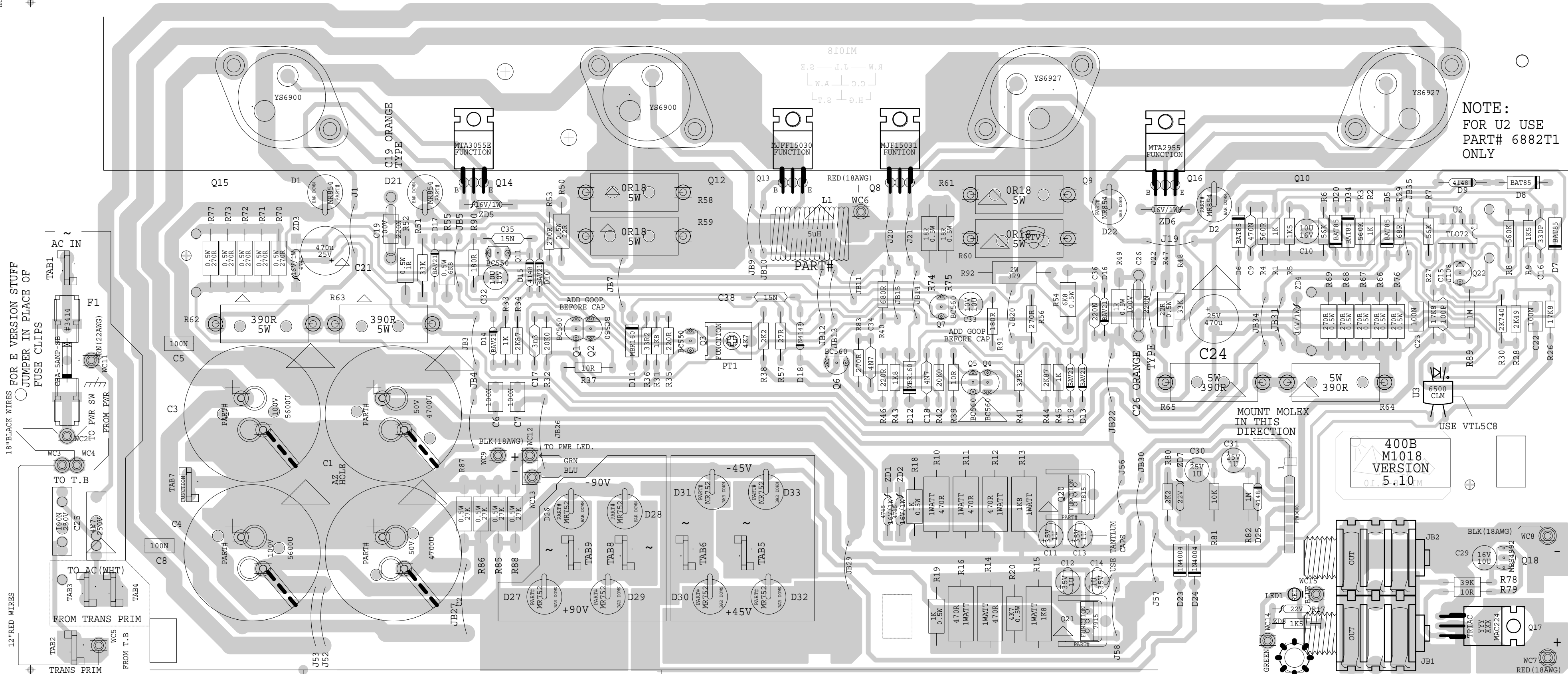
YORAVILLE	DATE: JUN/28/2000	MODEL#: BM400	SCH ISSU#: 3.40
	NAME: M1018V33.SCH	PCB#: M1018	TITLE: BASS_AMP_400W

ASSEMBLY M1018-5.10  
PCB MECH M1018-5.10

SOLERSIDE M1018-2.10

BLANK SIZE=16.650"X7.950"  
BLANK SIZE=16.650"X7.950"

ETCH GUIDE



NOTE:  
FOR U2 USE  
PART# 6882T1  
ONLY

FOR E VERSION STUFF  
JUMPER IN PLACE OF  
FUSE CLIPS

12" RED WIRES  
FROM TRANS PRIM

AC IN

TO T.B

FROM PWR

TO PWR SW

TO T.B

FROM TRANS PRIM

TO AC (WHT)

FROM T.B

TRANS PRIM

M1018.PCB DATABASE HISTORY

MODEL(S) :- 400B-400BS

#	DATE	VER#	DESCRIPTION OF CHANGE
1	NOV/30/93	3.40	C25 TO 100N
2	APR/02/96	3.50	PC#5050_ADD_470R_(R83)_4N7
3	.	.	(C34)
4	.	.	BASE TO COLLECTOR Q6
5	JUN/28/96	3.60	PC#5155_R38_3K9-->2K2
6	OCT/15/96	4.00	PC#5221_R83_470K->270R
7	APR/09/97	4.00	PC#5355_ADD_3R9_R92_220N_C36
8	JUN/02/98	5.00	PC#5727_C25-SPACING_.9"-_ADD
9	.	.	RTV HOLES MOVE WC15
10	AUG/30/00	5.10	PC#5186_DELETE_HEATSINK
11	.	.	FROM_Q17
12	.	.	
13	.	.	
14	.	.	
15	.	.	
16	.	.	
17	.	.	
18	.	.	
19	.	.	
20	.	.	

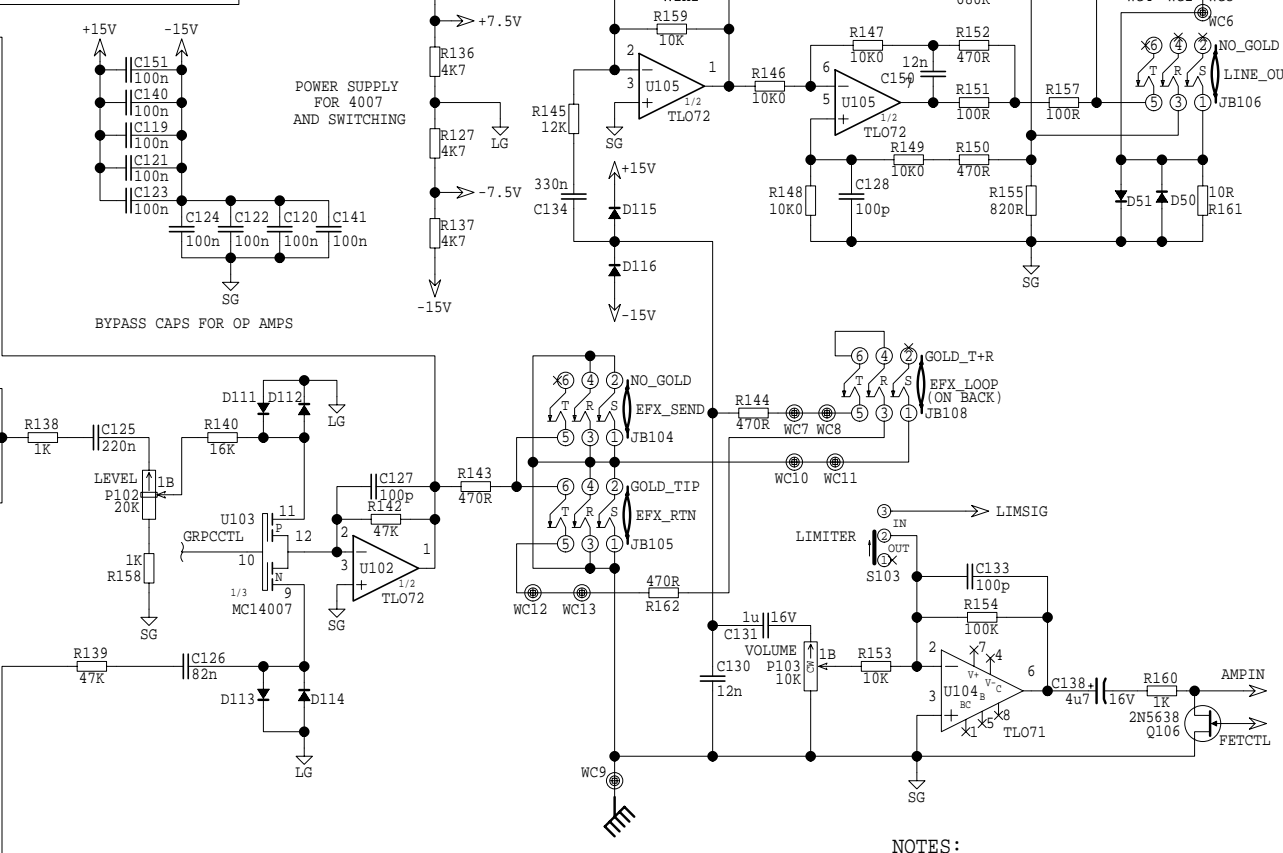
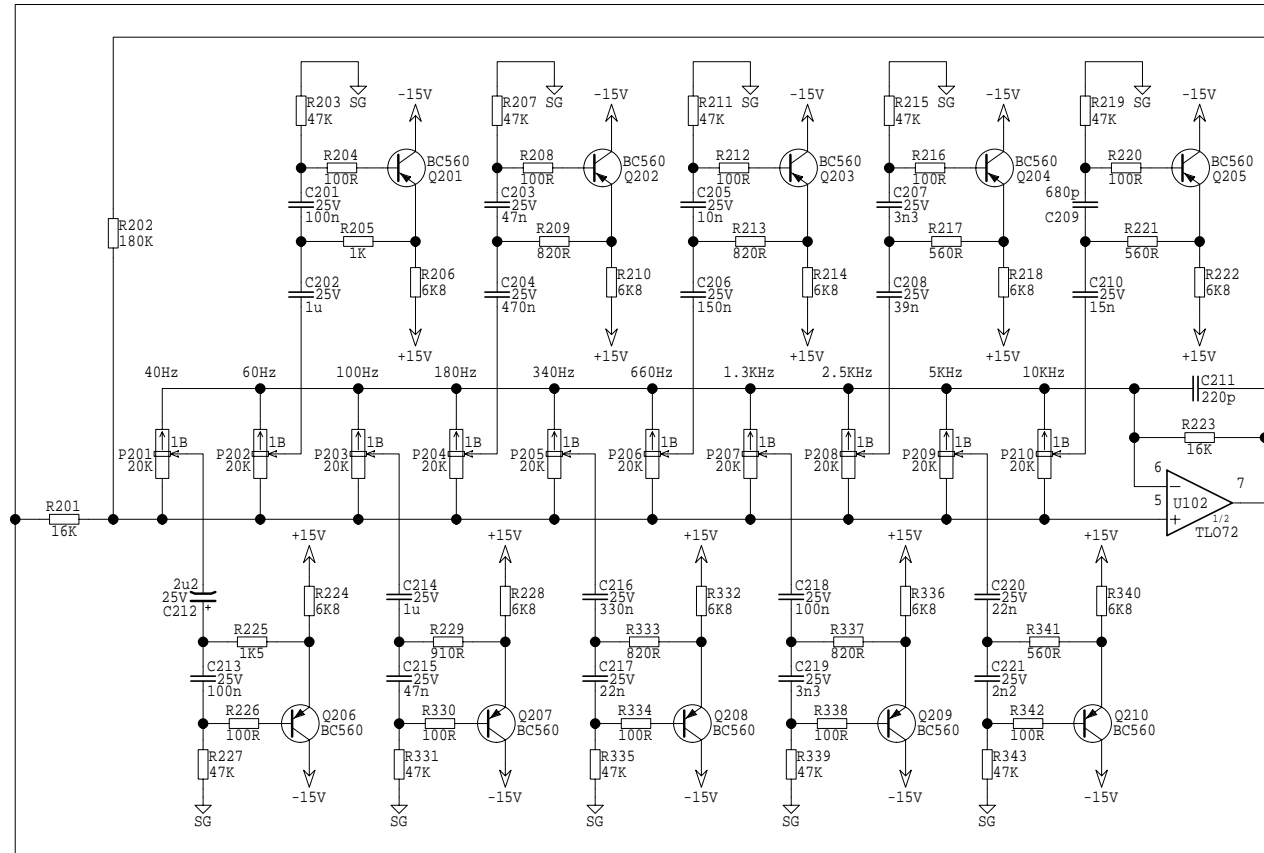
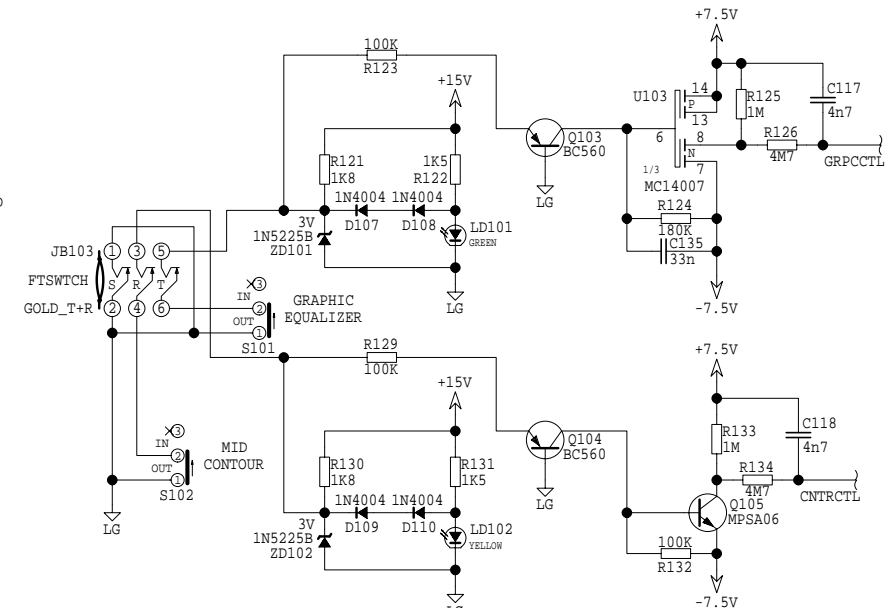
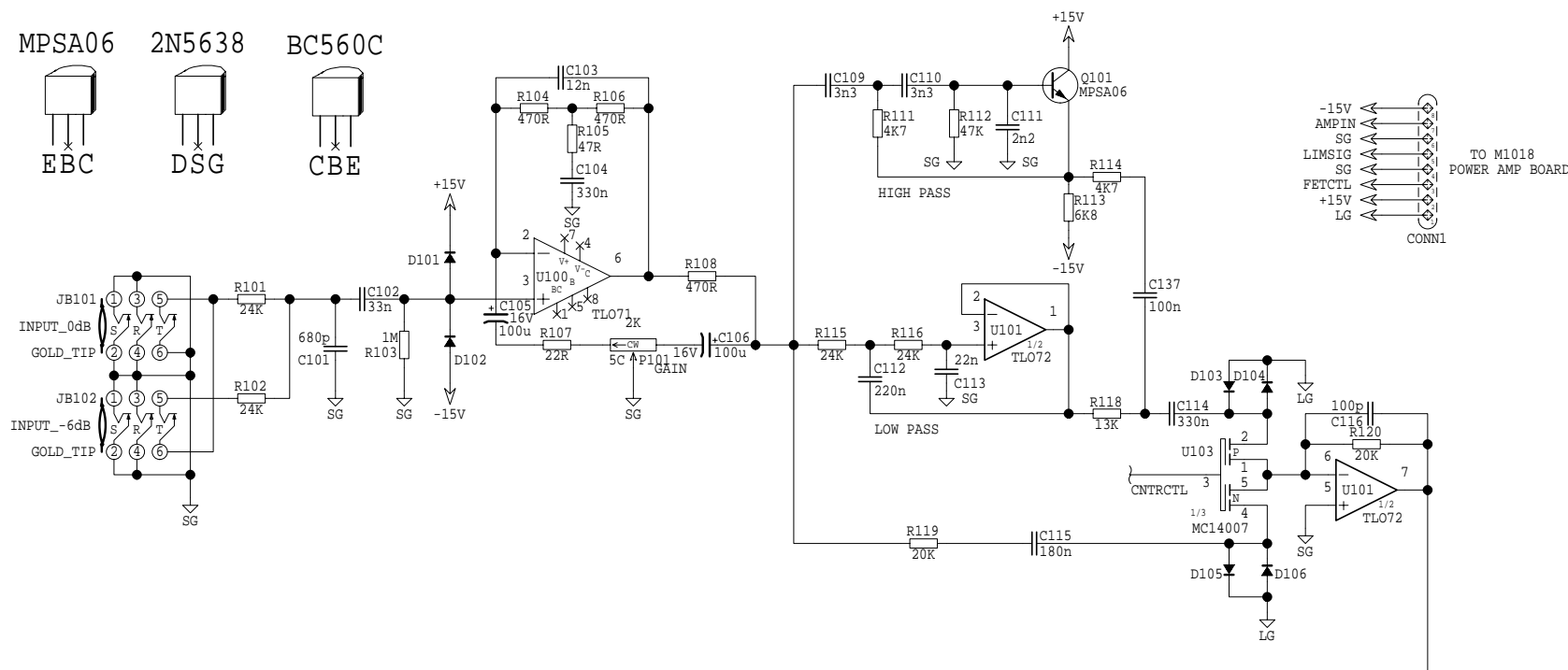
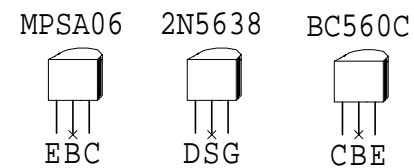
PRODUCTION NOTES

- 1 U2 USE PART# 6882T1 TEXAS INSTRUMENTS ONLY.
- 2 FOR E VERSION REPLACE FUSE CLIPS WITH A JUMPER WIRE.

ETCH GUIDE

ETCH GUIDE





GRAPHIC EQUALIZER

NOTES:  
ALL UNMARKED DIODES 1N4148

DATE: APR/08/98	MODELS: BM400 BM400E	SCH ISSUE: 3.10
THE 400B BY A. WILSON AND C. CHIU	YORKVILLE NAME: M1019.SCH	PCB#&VER: M1019
TITLE: BASS_AMP_400W		



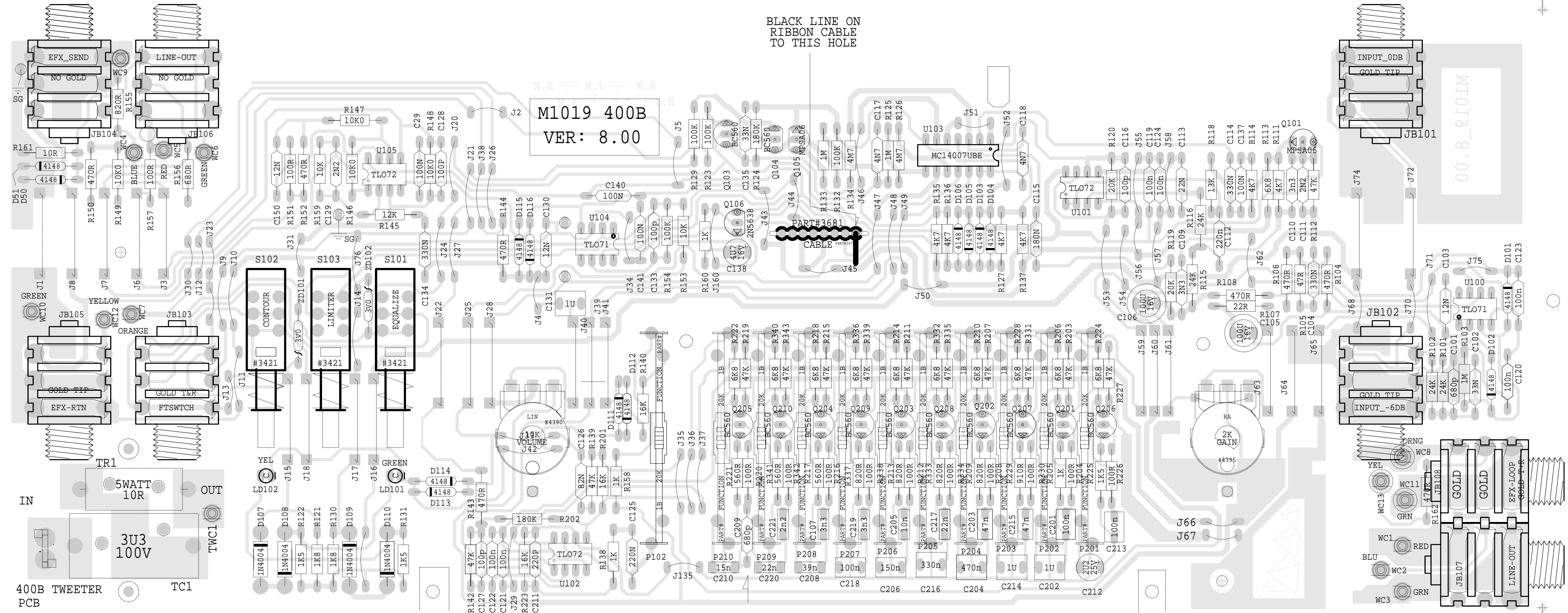
ASSEMBLY M1019-8.00  
PCB MECH M1019-8.00

SOLDERSIDE M1019-8.00

ETCH GUIDE

GUIDE ETCH

BLACK LINE ON RIBBON CABLE TO THIS HOLE



BLANK SIZE=15.100" X 6.600"

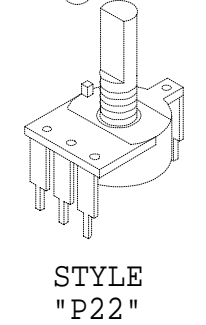
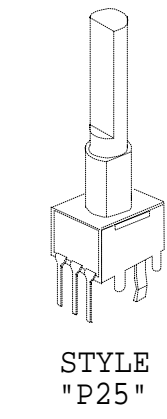
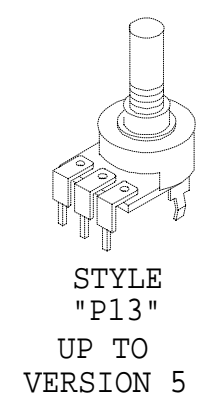
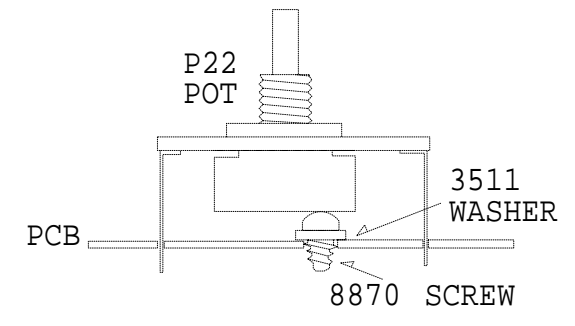
ETCH GUIDE

BREAK THIS BOARD AWAY BEFORE SHEARING

UP

PRODUCTION NOTES

- 1 MAKE SURE THAT THE TRANSISTORS BETWEEN THE SLIDERS DO NOT INTERFERE WITH THE SLIDERS
- 2 C209 MUST NOT TOUCH LEG OF SLIDE POT
- 3 BREAKAWAY TWEETER BOARD IS FOR 400B AND IS DELIVERED TO FINISHING



POT STYLES USED  
VERSION 6.00  
VERSION 7.00

M1019.PCB\_DATABASE\_HISTORY

#	DATE	VER#	DESCRIPTION OF CHANGE
1	JUN/06/97	4.00	PC#4740 MODIFIED SWITCHES
2	DEC/04/97	5.00	AMP-INS TO EYELETS
3	DEC/12/97	6.00	BREAKAWAY PCB FOR TWEETER ADDED
4	JUN/10/98	7.00	ROTARY POTS CHANGED
5	DEC/10/98	8.00	POTS CHANGED TO DETENT STYLE
6	D	V	POT_SUPPORT_SCREW_ADDED
7	D	V	
8	D	V	
9	D	V	
10	D	V	
11	D	V	

