



SERVICE MANUAL



MP6^T

325 Watt 6 Channel Powered Mixer

WEB ACCESS: <http://www.yorkville.com>

WORLD HEADQUARTERS CANADA

Yorkville Sound
550 Granite Court
Pickering, Ontario
L1W-3Y8 CANADA

Voice: (905) 837-8481
Fax: (905) 837-8746

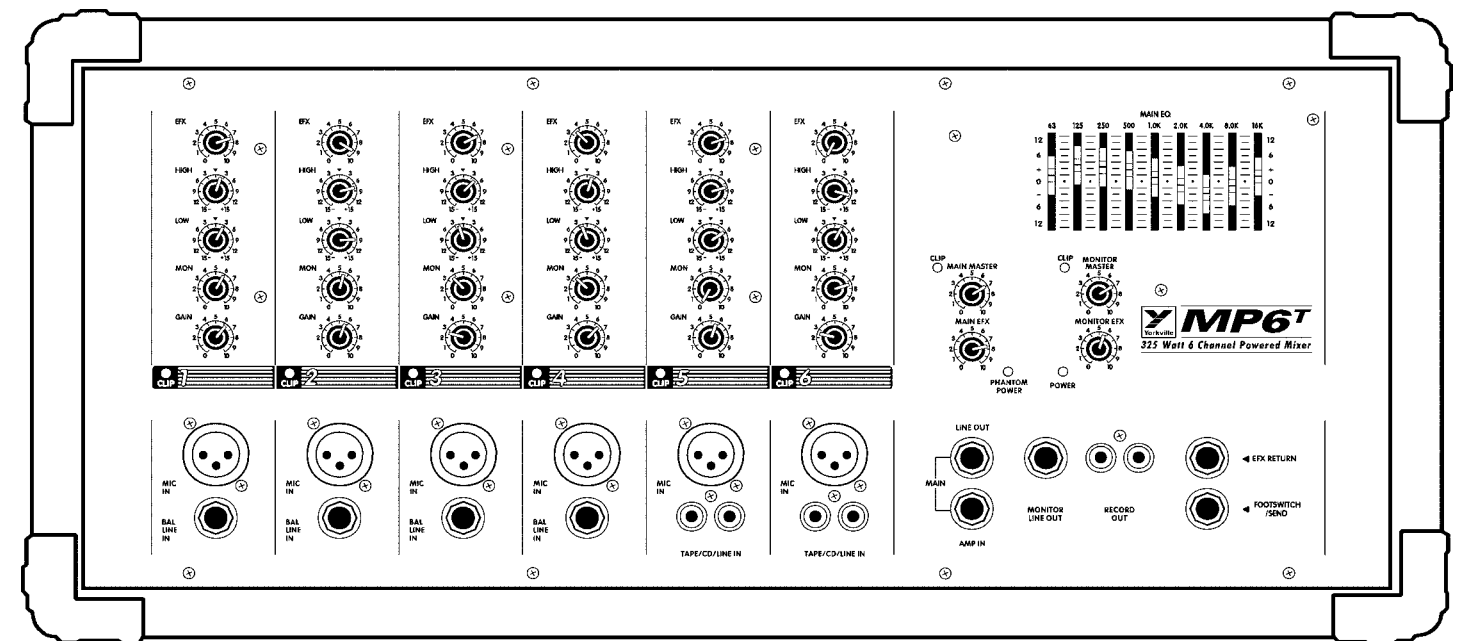
U.S.A.

Yorkville Sound Inc.
4625 Witmer Industrial Estate
Niagara Falls, New York
14305 USA

Voice: (716) 297-2920
Fax: (716) 297-3689

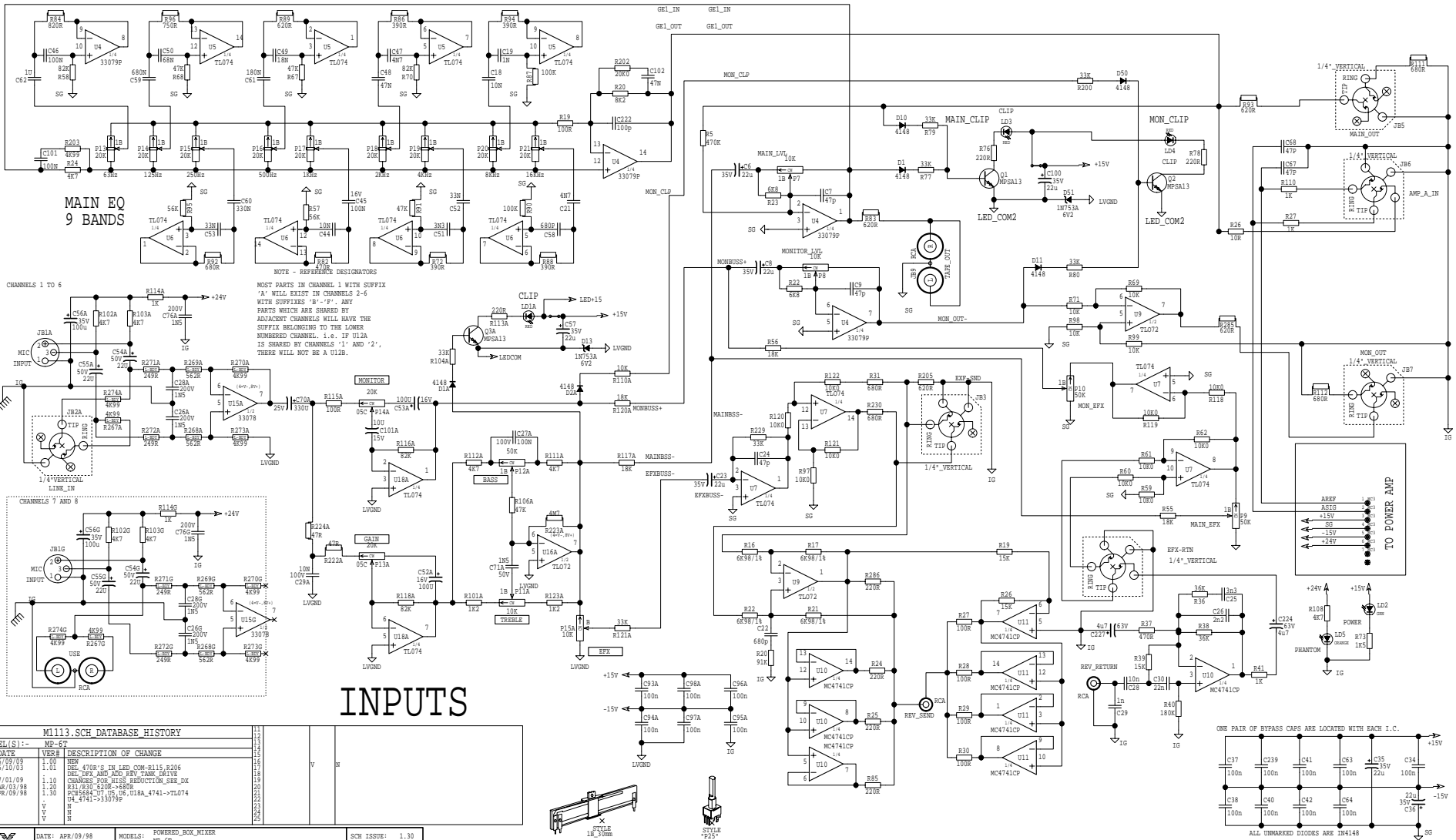


Quality and Innovation Since 1963
Printed in Canada



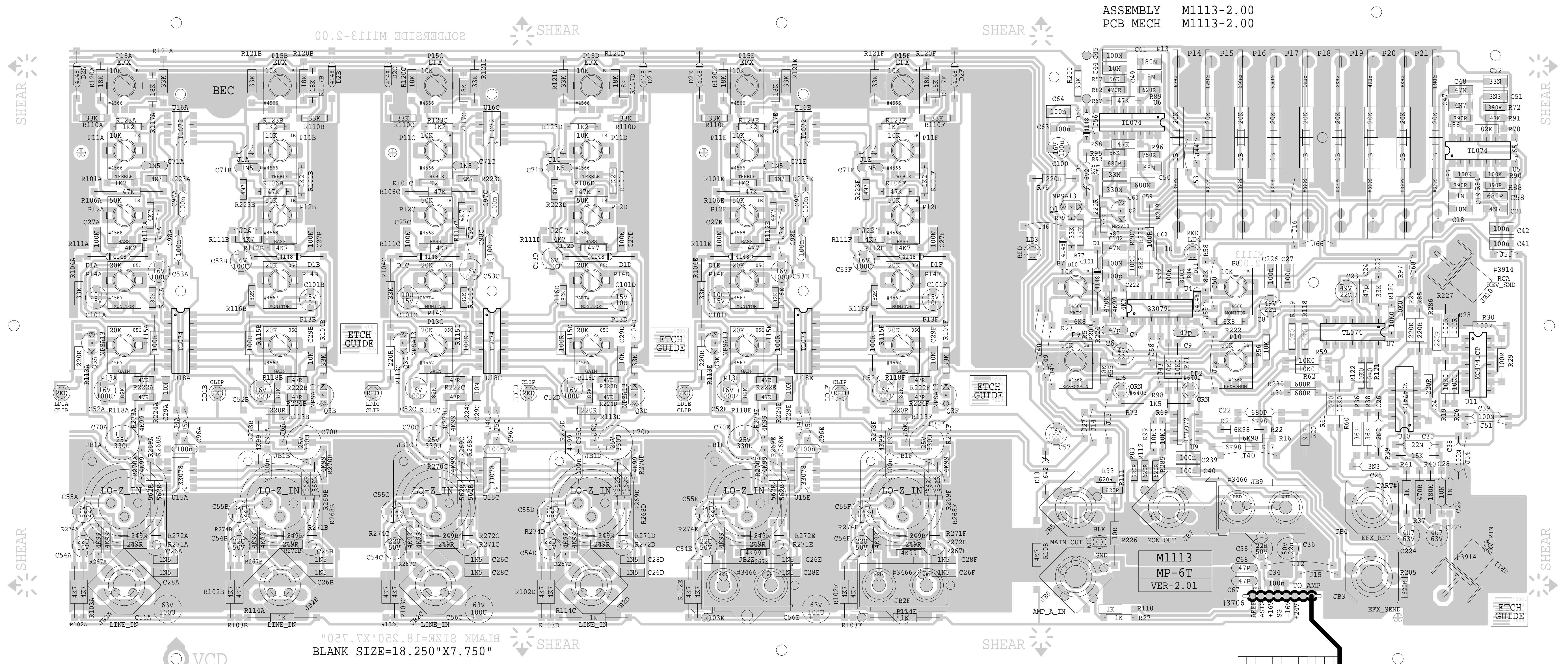
Parts List 10/29/99

YS #	Description	Qty.	YS #	Description	Qty.	YS #	Description	Qty.
5906	RED 3MM LED 1V9 20MA .4SPCER T&R	8	3491	CLIP 205/187X020 18-22AWG DISCO/INS	1	4831	1/4W 18K 5% T&R RES	2
6403	ORN 3MM LED 1V7 5MA	1	3682	250 MALE PCB TAB BULK CARTRIGE	7	6125	1/4W 18K 5%MINI T&R RES	14
6425	BAV21 200V OA25 DIODE T&R	2	3498	1/4" JCK PCB MT HORZ	2	4885	1/4W 20K 5% T&R RES	3
6825	1N4148 75V OA45 DIODE T&R	31	3921	1/4" JCK PCB MT VERT STER RT SWT	9	4832	1/4W 22K 5% T&R RES	1
6438	1N4004 400V 1A0 DIODE T&R	6	3466	RCA DUAL PCB MT VERT GOLD 24MM	3	4833	1/4W 27K 5% T&R RES	2
6434	6A2 200V 6A0 DIODE	4	3888	12" PREFAB. CABLE W/ PHONO TERMIN.	2	6122	1/4W 33K 5%MINI T&R RES	23
6440	1N750ARL 4V7 0W5 ZENER 5% T&R	3	3914	RCA SNGL PCB MT HORZ	2	4868	1/4W 36K 5% T&R RES	2
6436	1N753ARL 6V2 0W5 ZENER 5% T&R	2	3925	XLR FEML PCB MT VERT 24MM U-CONT	6	4853	1/4W 39K 5% T&R RES	1
6807	1N4742A 12V0 1W0 ZENER 5% T&R	2	3451	EYELET SMALL 0.089 OD PLATED	10	4834	1/4W 47K 5% T&R RES	2
6824	1N5246B 16V0 0W5 ZENER 5% T&R	5	3412	LOWPROFILE FUSEHOLDER 1/4" H345601	1	4927	1/4W 47K 5% .2"U T&R RES	1
5101	BC550C TO92 NPN TRAN T&R TB	4	2428	6.0 AMP SLO-BLO .25X1.25 FUSE	1	6119	1/4W 47K 5%MINI T&R RES	8
5102	BC560C TO92 PNP TRAN T&R TB	3	8458	10.5" STRAP HANDLE, PLASTIC COVERS	1	4928	1/4W 56K 5% .2"U T&R RES	2
5103	MPSA06 TO92 NPN TRAN T&R TA	1	8604	10-32 T NUT	2	4586	1/4W 82K 5%MINI T&R RES	2
5108	2N5401 TO92 PNP TRAN T&R TA	1	3501	B52200F006 COMP WASH #4 SMALL	4	4929	1/4W 82K 5% .2"U T&R RES	12
5105	MPSA13 TO92 NPN DARL T&R TA	8	3804	SNAP ON 1.5" INSULATING BUSHING	1	4898	1/4W 91K 5% T&R RES	1
6810	MJF15030 T221D NPN TRAN TJ	2	8889	RUBBER GROMMET #2183-034-BLK	4	4942	1/4W 100K 5% .2"U T&R RES	2
6811	MJF15031 T221D NPN TRAN TJ	2	3795	#8 GROUND LUG ZIERICK 505-169	1	6120	1/4W 100K 5%MINI T&R RES	2
6900	YS6900 (22) TO3 NPN TRAN TH	2	3799	ROUND BUMPER BUTTON BLACK	2	4839	1/4W 150K 5% T&R RES	1
6927	YS6927 (23) TO3 PNP TRAN TH	2	3803	NYLON SECUR-A-TACH MINI PLASTIC TIE	1	4849	1/4W 180K 5% T&R RES	1
6798	MC4741CP IC QUAD OP AMP	3	3810	4" NYLON CABLE TIE	4	4842	1/4W 330K 5% T&R RES	1
6804	MC33079P IC QUAD OP AMP	1	3827	SQUARE BUMPER BUTTON BLACK	5	6127	1/4W 470K 5%MINI T&R RES	1
6840	MC33078P IC DUAL OP AMP	3	8392	RED STYLE 1 KNOB	7	4951	1/4W 4M7 5% .2"U T&R RES	6
6882	TL072CP IC FET DUAL OP AMP	6	8393	GREY STYLE 1 KNOB	12	3706	13" 8C-26AWG RIB 1 W/LCK HDR 098	1
6889	TLO74CN IC QUAD O/A T.I ONLY	6	8394	GREEN STYLE 1 KNOB	7	3586	ACC# 1BB1C1C SHORT REVERB	1
5190	MBS4992 TO92 8V5 DIAC	1	8395	BLUE STYLE 1 KNOB	8	9892	CABINET COVER, BLUE/BLACK, 54" WIDE	6.56
6448	BT139 TO220 16A TRIAC 500V	1	8661	BUTTON KNOB FLAT GREY	1	9006	20GA SATINCOAT STEEL 4 X 8 SHEET	3.2
6859	NSL-28AA OPTO-COUPLER	1	3484	8' 3/18 SJT AC LINE CORD 250WH187BL	1	9010	16GA COLD ROLLED STEEL 4X8' SHEET	2.66
6477	100K 5% 1/4W THERMISTOR T&R 0.2	1	3834	HEYCO #1214 STRAIN RELIEF	1	9250	.040" 48X96 5052H32 ALUM VINYL LAMI	1.7
5402	.15P 100V 10%CAP T&R BEAD NPO	1	8910	YORKVILLE PRODUCT MANUAL	1	9548	.187" 48X96 UTILITY ALUM W/PLASTIC	0.44
5203	.47P 100V 2%CAP T&R RAD CER.2"NPO	5	3676	8 CIR CABLE HOLDER .098	1	9567	HEATSINK MP6 LGTH 11' 0"	1.292
5199	100P 100V 2%CAP T&R RAD CER.2"NPO	1	8800	6-32 KEPS NUT ZINC	24	9811	3/4"X4"X8' SPRUCE STAN. SHEATING	3.84
5411	150P 100V 10%CAP T&R BEAD NPO	2	8788	1/4-20 KEPS NUT ZINC	1	8865	4-40 X 5/16 PAN PH MS JS500	18
5420	680P 50V 10%CAP T&R BEAD NPO	1	3815	TO3 PREGREASED MICA 56-03-2AP	4	8742	4-40 X 3/8 PAN PH TAPTITE JS500	4
5816	680P 100V 5%CAP T&R RAD CER.2"NPO	1	3583	8 CIR WAFER W/LCK 0.1"	1	8842	#4 X 5/16 PAN PH QUAD TYPE A JS500 BLK	15
5206	.1N 400V 5%CAP T&R RAD .2"FLM	1	4597	22AWG STRAN TC WIR JMP	36	8799	#6 X 1/4 PAN PH TYPE B JS500	1
5422	.1N 50V 10%CAP T&R BEAD NPO	1	4599	22AWG SOLID SC WIR T&R JMP	50	8801	6-32 X 3/8 PAN PH TAPTITE JS500	22
5273	.1N5 200V 5%CAP T&R RAD CER.2"NPO	18	5299	24AWG SOLID SC WIR RAD JMP	5	8835	6-32 X 1/2 PAN QUAD MS TIN PLATED	6
5426	.2N2 50V 10%CAP T&R BEAD Y5R	1	4745	5.0W 0R1 5% BLK RES	4	8745	6-32 X 3/4 HEX ND MS ZINC	12
5275	.3N3 100V 5%CAP T&R RAD .2"FLM	1	4694	5.0W 1R8 5% BLK RES	1	8838	6-32 X 1 HEX ND MS ZINC	2
5428	.3N3 50V 10%CAP T&R BEAD Y5R	1	4666	1/2W 4R7 5% T&R RES	2	8785	#8 X 3/4 OVAL PH TYPE A JS500 BLACK	32
5209	.4N7 250V 5%CAP T&R RAD .2"FLM	2	4866	1/4W 4R7 5% T&R RES	2	8815	8-32 X 3/4 PAN PH TAPTITE JS500	4
6451	.4N7 250V 20%CAP BLK "Y" 10MM AC	1	4875	1/4W 10R 5% T&R RES	3	8781	#10 X 7/8 FLAT PHIL TYPE A JS500BLK	2
5204	.10N 100V 10%CAP T&R RAD .2"FLM	8	4995	1/4W 33R2 1%FLAME PROOF T&R RES	1	8783	10-32 X 1 PAN QUAD TT JS500 BLACK	9
5300	.10N 50V 10%CAP T&R BEAD X7R	1	4957	1/4W 47R 5% .2"U T&R RES	12	8843	10-32 X 1 1/8 FLAT PH MS JS500	2
5302	.15N 50V 10%CAP T&R BEAD X7R	2	4852	1/4W 100R 5% T&R RES	17	8765	1/4-20 X 2 1/2 HEX HD MS JS500 BLK	1
5207	.18N 100V 5%CAP T&R RAD .2"FLM	1	4857	1/4W 220R 5% T&R RES	12	8663	11/64 NYLON SPACER (MICRO PLASTIC)	8
5304	.22N 50V 10%CAP T&R BEAD X7R	3	4770	1/4W 249R 1% T&R RES	12	8656	.171 X 1/4 NYLON SPACER #SP42	2
5840	.22N 400V 10%CAP BLK RAD POLY FLM	1	4904	1/4W 390R 5%FLAME PROOF T&R RES	2	3739	CUSTOM 4 LED SPACER	10
5222	.33N 100V 10%CAP T&R RAD .2"FLM	2	4950	1/4W 390R 5% .2"U T&R RES	4	3741	.5 SPACER ID-.171 OD-.25 #912-500	4
5224	.47N 100V 10%CAP T&R RAD .2"FLM	2	4821	1/4W 470R 5% T&R RES	1	3859	1/2 PLASTIC HEX SPACER #4	9
5226	.68N 100V 5%CAP T&R RAD .2"FLM	1	4933	1/4W 470R 5% .2"U T&R RES	1	8482	3/8 1D FLAT WASHER	9
5228	100N 100V 5%CAP T&R RAD .2"FLM	19	4799	1/4W 562R 1% T&R RES	12	8818	3/4 OD X 5/16 ID X .08 THICK WASHER	2
5314	100N 50V 10%CAP T&R BEAD X7R	20	4922	1/4W 620R 5% .2"U T&R RES	7	8820	#8 FLAT WASHER JS500	4
5229	150N 63V 10%CAP T&R RAD .2"FLM	2	4781	1/8W 681R 1%FLAME PROOF T&R RES	2	8817	#10 FLAT WASHER FOR 3/16" BOLT	9
5230	180N 63V 5%CAP T&R RAD .2"FLM	1	4873	1/4W 680R 5% T&R RES	1	3436	DPDT PUSH SW PCMT H BREAK B4 MAKE	1
5233	330N 63V 5%CAP T&R RAD .2"FLM	1	4923	1/4W 680R 5% .2"U T&R RES	1	3698	SPST ROKR SW QUIK 180" AC PWR BL/BL	1
5240	680N 63V 10%CAP T&R RAD .2"FLM	1	4924	1/4W 750R 5% .2"U T&R RES	1			
5266	680N 250V 20%CAP BLK 'X2' 30MM AC	1	4925	1/4W 820R 5% .2"U T&R RES	1			
5256	.1U 63V 5%CAP T&R RAD .2"FLM	1	4892	1/4W 910R 5% T&R RES	1			
5258	.4U7 63V 20%CAP T&R 8X7MM .2"EL	2	4913	1.0W 1K 5% T&R RES	2			
5281	.10U 16V 20%CAP T&R RAD .2"NP	1	4931	1/4W 1K 2%FLAME PROOF T&R RES	1			
5282	.10U 16V 20%CAP T&R 5X7MM .2"NP	6	4981	1/4W 1K 5%MINI T&R RES	12			
5260	.22U 50V 20%CAP T&R RAD .2"EL	4	4585	1/4W 1K2 5%MINI T&R RES	12			
5631	.22U 50V 20%CAP T&R 5X7MM .2"EL	17	4718	5.0W 1K5 5% BLK RES	2			
5961	.33U 16V 20%CAP T&R RAD .2"NP	1	4824	1/4W 1K5 5% T&R RES	1			
5265	.68U 25V 20%CAP T&R RAD .2"EL	1	4808	1/4W 2K 5% T&R RES	1			
5267	100U 25V 20%CAP T&R RAD .2"EL	3	4847	1/4W 2K2 5% T&R RES	1			
5879	100U 16V 20%CAP T&R 8X7MM .2"EL	14	4826	1/4W 3K3 5% T&R RES	2			
5914	100U 63V 20%CAP BLK 10X13MM EL	4	4827	1/4W 4K7 5% T&R RES	13			
5630	330U 25V 20%CAP BLK 10X13MM EL	6	4982	1/4W 4K7 5%MINI T&R RES	19			
5892	6800U 80V 10%CAP BLK 35X40MM ELS	2	6128	1/4W 4K99 1%MINI MF T&R RES	25			
4566	.10K B LIN 9MM P25	14	4978	1/4W 6K8 5%MINI T&R RES	2			
4567	.20K 5C R/A 9MM P25	12	4801	1/4W 6K98 1% T&R RES	4			
4568	.50K B LIN 9MM P25	8	4990	1/4W 8K2 5%MINI T&R RES	1			
3999	.20K 1B LIN 30MM OPN S06	9	4800	1/4W 10K0 1% T&R RES	9			
4529	470R TRIM POT	1	4829	1/4W 10K 5% T&R RES	7			
3819	.5UH COIL 18AWG R000 AIR CORE	1	4989	1/2W 10K 5%MINI T&R RES	2			
8674	R385 PLASTIC CORNER W TREAD	8	6116	1/4W 10K0 1%MINI MF T&R RES	8			
3478	CLIP 205/187X032 18-22AWG DISCO/INS	2	4901	1/4W 13K 5% T&R RES	1			
3490	CLIP 250X032 14-16AWG DISCO/INSL	1	4830	1/4W 15K 5% T&R RES	1			



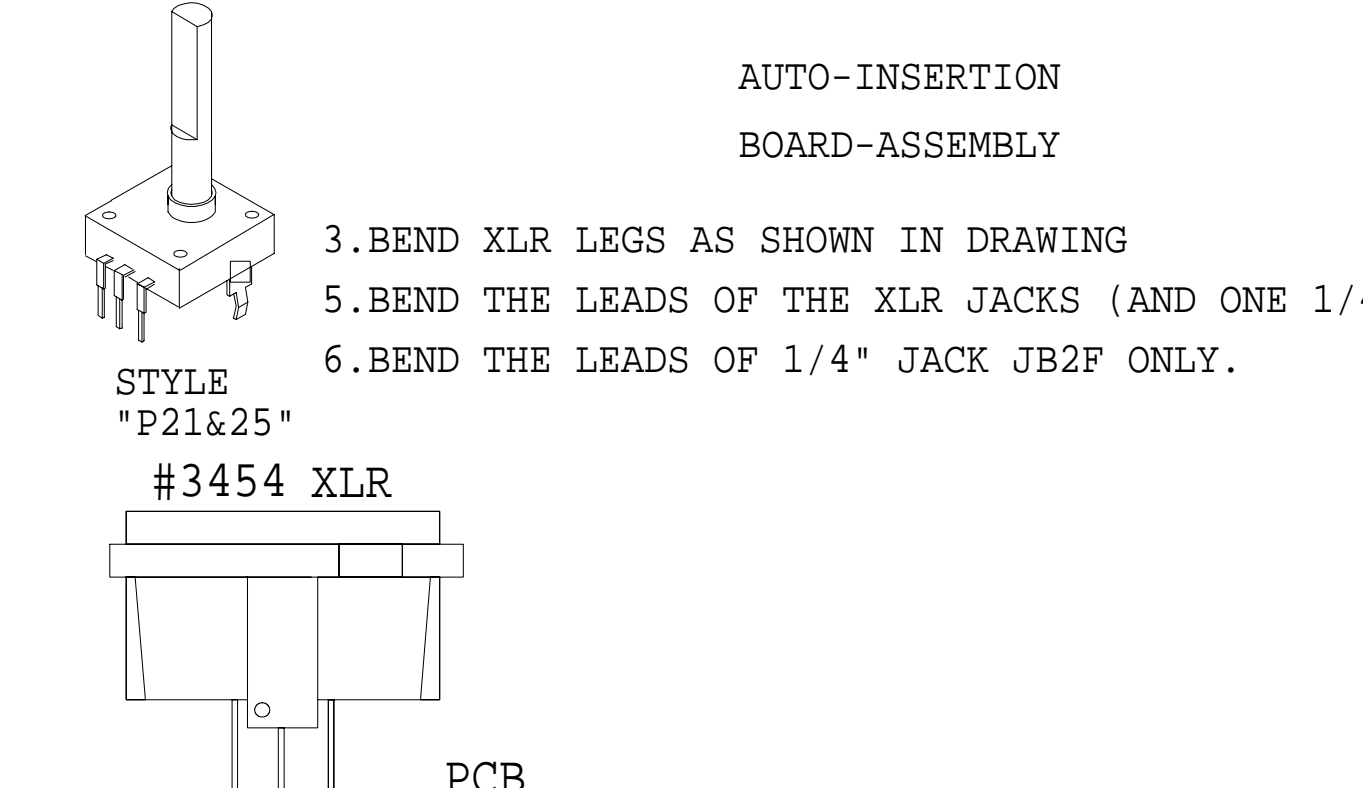
M1113.SCH DATABASE HISTORY			
#	DATE	VER#	DESCRIPTION OF CHANGE
1	85/09/03	1.00	MP-6T
2	96/10/03	1.01	DEL 470R'S IN LED COM-R115, R206 DEL: 50K AND 100 PPT TANK 200V CHANGES: POP: MISS REDUCTION_SEE DX C13: 50K 50K-150K-150K PCB: 5688: U7 U5, U6, U18A, 4741->TL074 C4 4741->33079P
3	97/01/09	1.10	
4	98/03/98	1.20	
5	APR/09/98	1.30	

YORKVILLE	DATE: APR/09/98	MODELS: POWERED_BOX_MIXER MP-6T	SCH ISSUE: 1.30
	NAME: M1113.SCH	PCBR: M1113	TITLE: MIXER/EQ/MASTER



M1113.PCB_DATABASE_HISTORY			
#	DATE	VER#	DESCRIPTION OF CHANGE
1	96/09/27	1.0P0	FIRST PROTO
2	97/02/04	2.00	ROTATE RCA'S-MOVED R102,3-F&G
3	MAR/25/97	2.00	R55, R56, R120A/F, R117A-F 10K->18K
4	APR/09/98	2.01	PC#5684 U5, U6, U7, U18A, U18C, U18E_4741->TL074_U4_4741->33079P
5			
6			
7			
8			
9			
10			
11			
12			
13			
14			
15			
16			
17			
18			
19			
20			

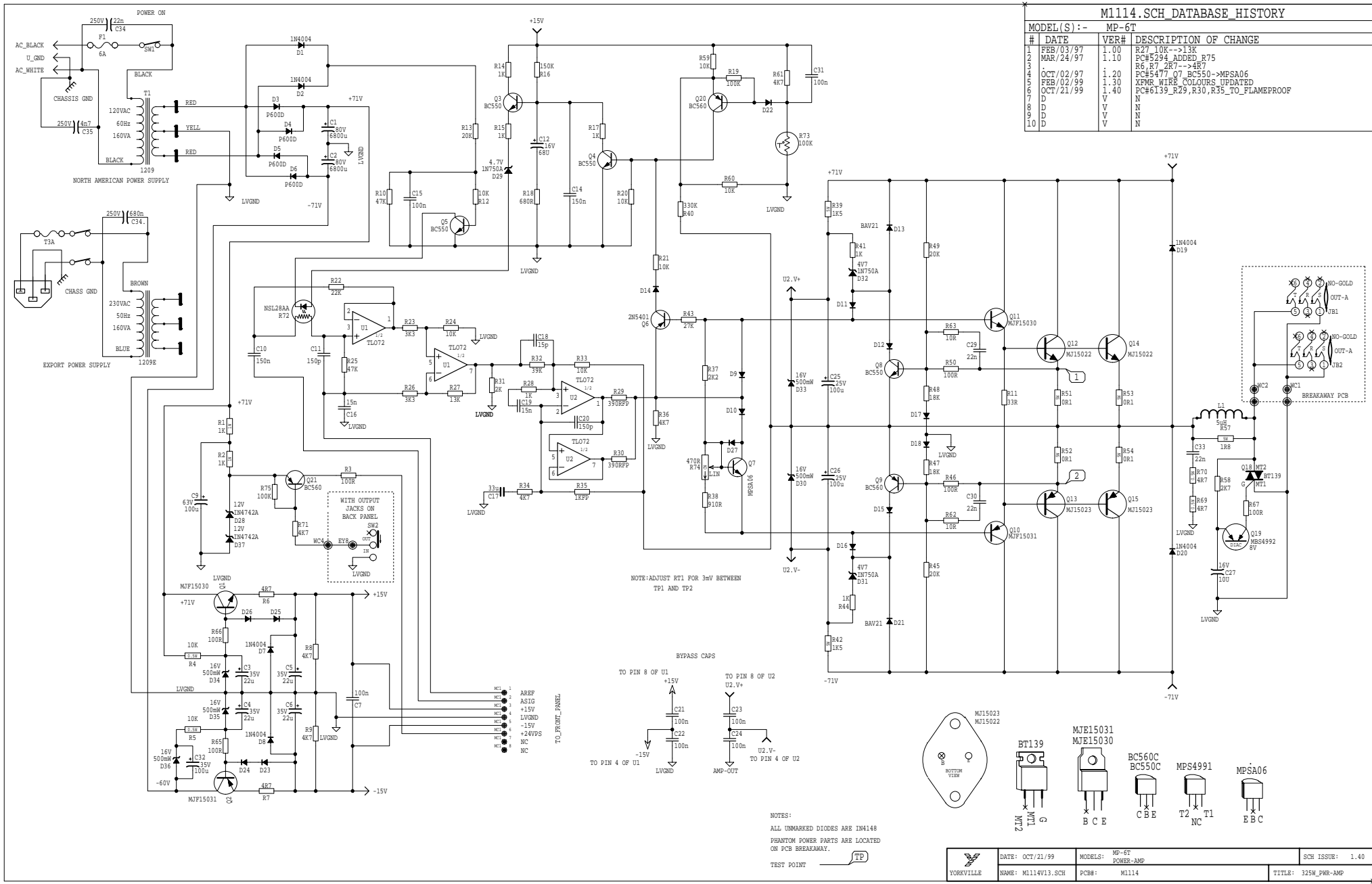
NOT_CORRECT PRODUCTION NOTES



7. INSTALL EQ POT JIG BEFORE WAVE SOLDERING AND LEAVE IN PLACE FOR WIRING.
8. THE HOLE BETWEEN 'P2F' AND 'P2G' MAY BE USED TO SUPPORT THE BOARD WHILE WAVE SOLDERING.
9. SOLDER WITH THE JIG FOR 9MM POTS AND THE JACKS.
10. PUT A NUT ON JB2F TO HOLD THE JIG DOWN FOR SOLDERING
11. SHEAR LEFT AND RIGHT SIDES BEFORE THE TOP AND BOTTOM SO THE BOARD WILL FIT INTO THE SHEAR.

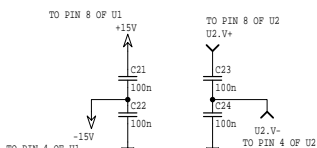
M114.SCH_DATABASE_HISTORY

MODEL(S) :-		MP-6T	
#	DATE	VER#	DESCRIPTION OF CHANGE
1	FEB/03/97	1.00	R27 10K->13K
2	MAR/24/97	1.10	PC#5294 ADDED_R75
3			R6, R7 2R7->4R7
4	OCT/02/97	1.20	PC#5477 07 BC550->MPSA06
5	FEB/02/99	1.30	XPWR_WIRE COLOURS UPDATED
6	OCT/21/99	1.40	PC#6139_R29, R30, R35_TO_FLAMEPROOF
7	D	N	N
8	D	N	N
9	D	N	N
10	D	N	N



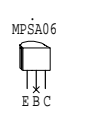
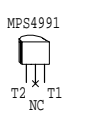
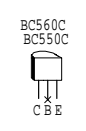
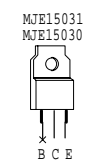
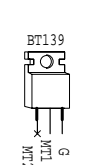
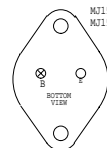
NOTE-ADJUST R1 FOR 3mV BETWEEN TP1 AND TP2

BYPASS CAPS

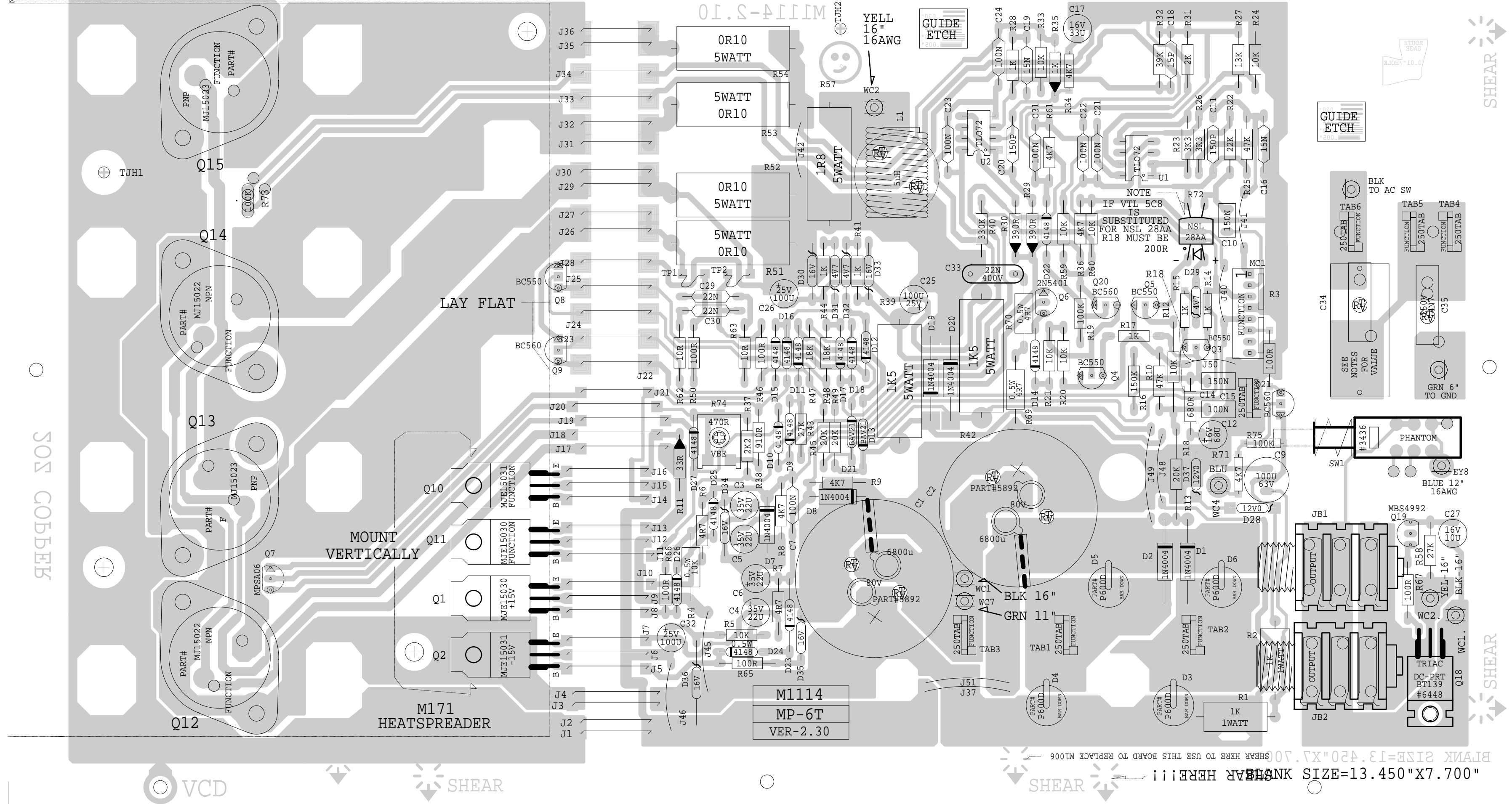


NOTES:
ALL UNMARKED DIODES ARE 1N4148
PHANTOM POWER PARTS ARE LOCATED ON PCB BREAKAWAY.

TEST POINT TP



YORKVILLE	DATE: OCT/21/99	MODELS: MP-6T POWER-AMP	SCH ISSUE: 1.40
	NAME: M114V13.SCH	EC##: M1114	TITLE: 325M_PWR-AMP



M1114.PCB_DATABASE_HISTORY				#	DATE	VER#	DESCRIPTION OF CHANGE
MODEL(S) :- MP-6T				24	D	V	N
1	OCT/24/94	3.50	PC#4682 ENLARGE HIGH CURRENT TRACES	25	D	V	N
2	JAN/04/95	4.00	ENLARGED TRACES THAT FAILED	26	D	V	N
3			DURING TEST OF VER#3.50	27	D	V	N
4	APR/07/95	4.10	PC#4745 MOVE PHANTOM LED AWAY	28	D	V	N
5			FROM SWITCH. ADDED MORE COPPER	29	D	V	N
6			FOR PWR SUPPLY DIODES	30	D	V	N
7	JAN/05/95	4.20	MODIFY PCB FOR 470N EXPORT AC CAP	31	D	V	N
8	96/10/10	1.0P0	NEW BOARD FOR NEW STYLE FRONT	32	D	V	N
9			D28,24V0/5W-->2X12V0/1W,D28,D37	33	D	V	N
10	97/01/07	1.00	FIRST PRODUCTION PCB	34	D	V	N
11	97/01/15	1.01	FIXED THREE COPPER SHORTS	35	D	V	N
12	FEB/03/97	1.02	R27 10K-->13K	36	D	V	N
13	MAR/24/97	1.03	R6, R7, 2R7-->4R7	37	D	V	N
14	MAR/25/97	2.00	PC#5294 ADDED R75_100K	38	D	V	N
15	OCT/02/97	2.10	PC#5477 Q7 BC550->MPSA06	39	D	V	N
16	DEC/11/98	2.20	CHG PHNTM SWT HOLES TO .055&.047	40	D	V	N
17	OCT/21/99	2.30	PC#6139_R29,R30,R35_TO_FLAMEPROOF	41	D	V	N
18				42	D	V	N
19				43	D	V	N
20				44	D	V	N
21				45	D	V	N
22				46	D	V	N
23				47	D	V	N
24				48	D	V	N
25				49	D	V	N
26				50	D	V	N

- PRODUCTION NOTES**
- 1 C34 680N PT#5266 CAP FOR EXPORT
22N PT#6435 FOR NORTH AMERICA
 - 2 DO NOT STUFF C35 FOR EXPORT VERSIONS
 - 3 FOR Q7 FILL HOLE IN THE HEAT SPREADER WITH THICK GOOP