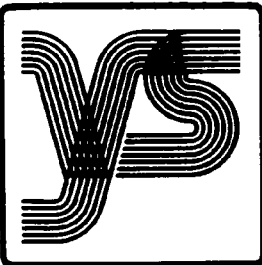


- PH 11
- INC
- ZINC
- B.O.
- N HEAD P
- PH BO
- 1/4"
- 3Link (D)
- D S-WIRE
- RES T&F
- RES T&F
- W RES T&F
- W RES T&F
- 4W RES T&F
- 1/4W RES T&F
- 1/4W RES T&F
- 1/4W RES T&F
- 1/4W RES T&F
- 1/4W RES T&F
- 1/4W RES T&F
- 100V TUB CAP UP125NPO270J
- 100V TUB CAP UP125SL101J
- 2/100V TUB CAP UP250SL151J YORK
- OV TUB CAP 56150102 Y5F
- 63V AXIAL CAP 03028108
- 21 200V 250MA DIODE



Impedance.....

at 36 dB gain.....

tion.....

input to MAIN SEND.....

rel at patch bay.....

time.....

ment range.....

ment range.....

channel.....

max power into 4 Ohms.....

4 Ohms, max power.....

3 Ohms, max power.....

ut power, 1% THD (A+B).....

assumption.....

+/-1.5 dB,

+/-3

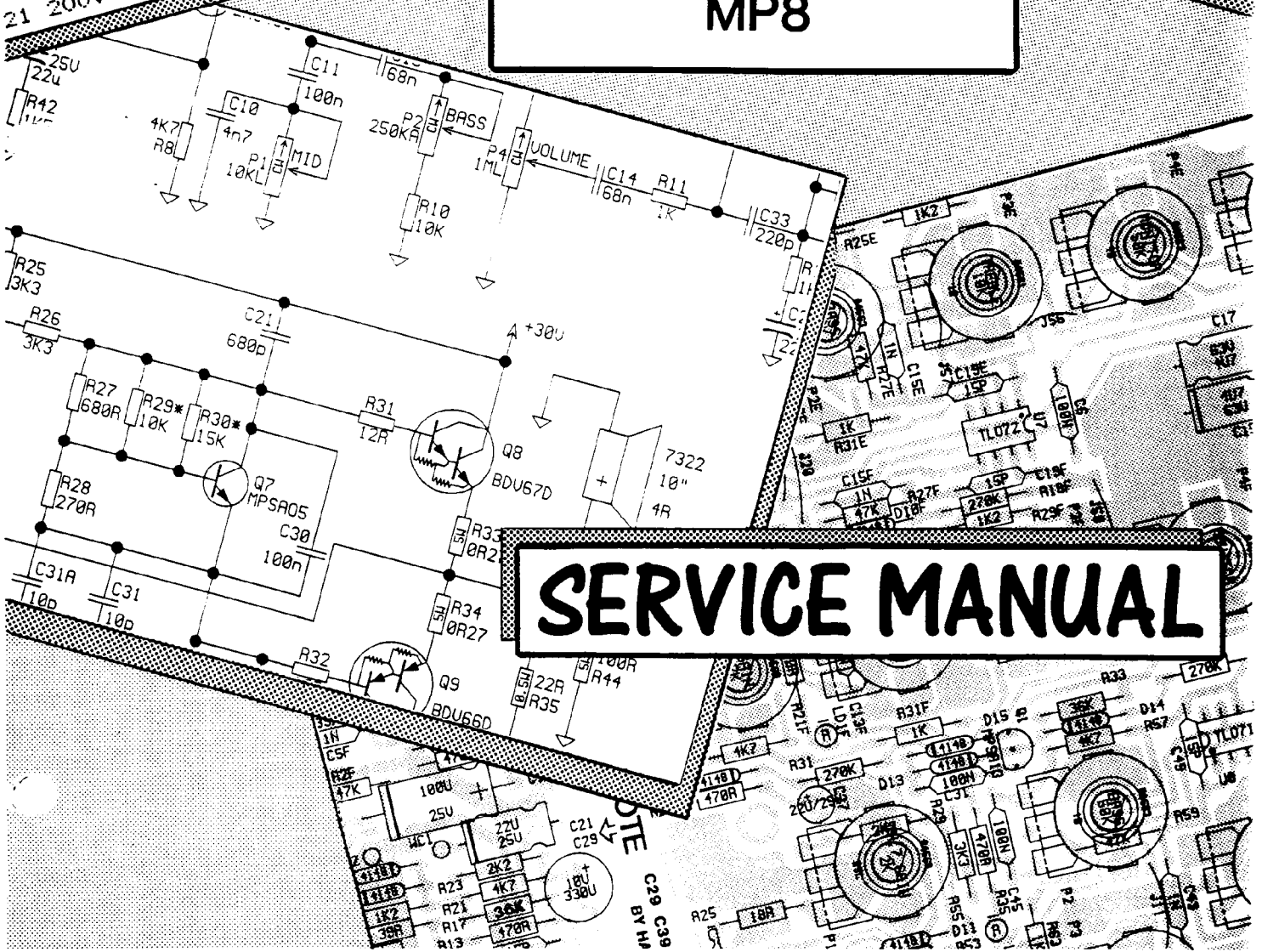
less t

2.5

145 Watt

100 Watt

# MP8



# SERVICE MANUAL

## MP8 SPECIFICATIONS

### MIXER SECTION:

Input referred noise..... -126 dBV  
Max balanced input gain..... +56 dB  
Balanced input impedance..... 1200 Ohms.  
Max unbalanced input gain..... +46 dB  
Unbalanced input impedance..... 50,000 Ohms.  
Balanced CMRR..... min 18dB, typical 32dB.  
Frequency response at 36 dB gain..... +/-3 dB, 20 Hz to 20 KHz.  
Signal path distortion..... less than 0.1% 20Hz-20KHz.  
Total maximum gain, input to MAIN SEND..... +90 dB  
Typical signal level at patch bay..... 1 VRMS  
Clip LED threshold..... 2.5 dB before clipping.  
Minimum LED flash time..... 40 milliseconds.  
Channel EQ adjustment range..... 30 dB  
Graphic EQ adjustment range..... 24 dB

### AMPLIFIERS:

Frequency response..... +/-1.5 dB, 20 Hz to 20 KHz.  
Gain..... 30dB  
Input sensitivity..... 1.4 VRMS  
Distortion..... 0.06% at 1KHz.  
Minimum load per channel..... 4 Ohms.  
One channel driven max power into 4 Ohms..... 170 Watts.  
Both driven into 4 Ohms, max power..... 145 Watts per channel.  
Both driven into 8 Ohms, max power..... 100 Watts per channel.  
Total maximum output power, 1% THD (A+B)..... 300 Watts.  
Maximum power consumption..... 550 Watts.

## BILL OF MANUFACTURING

## MECHANICAL PARTS

YSL		PART#	DESCRIPTION	QTY
350 M		1232	MP-8 XFMR	1.000 EA
355 M		2428	6A SB 1/4X1 1/4" 3AG BUSS# MDQ-6	1.000 EA
360 M		3412	LD-PRO FUSEHOLDER 1/4" 345601/611	1.000 EA
370 M		3411	THERMAL BRKR OPEN@180F CLOSE@155	1.000 EA
372 M		3480	8" LINECORD SJT 3/18 60 C	1.000 EA
375 M		3492	AMP CONNECTOR	1.000 EA
380 M		3511	#6 FLAT WASHER NYLON	10.000 EA
382 M		3516	CONNECTOR COVER B36C ZIERICK	2.000 EA
387 M		3544	SPEAKER CLIP HOLLINGSWORTH	2.000 EA
389 M		3659	NC3FPP FEMALE XLR PLASTIC	8.000 EA
390 M		3695	WHT BLK ROCKER SWITCH RA911RWBON	1.000 EA
400 M		3795	#8 GROUND LUG ZIERICK 505-169	2.000 EA
405 M		3810	4" NYLON CABLE TIE	7.000 EA
407 M		3817	BUMPER BUTTON STYLE 5018	7.000 EA
410 M		3833	6 X 3/8 NY STANDOFF	2.000 EA
411 M		3834	STRAIN RELIEF SR-6L-1	1.000 EA
416 M		8448	SERIAL NUMBER DAT 19-607 IRWIN	1.000 ST
417 M		8485	#6 SPLIT WASHER ZINC	2.000 EA
418 M		8486	M3.5 EURO SPRING TOOTH LOCKWASHER	1.000 EA
420 M		8624	10-32X1/2 HH SLOTTED MS BO	4.000 EA
430 M		8656	.171 X 1/4 NYLON SPACER #SP42	4.000 EA
440 M		8684	MICROMIX ROTARY KNOB BLUE	15.000 EA
441 M		8685	MICROMIX ROTARY KNOB MAUVE	10.000 EA
442 M		8687	MICROMIX ROTARY KNOB ORANGE	8.000 EA
443 M		8688	MICROMIX ROTARY KNOB PEACH	9.000 EA
444 M		8689	BLUE EQ KNOB PLASTIC	8.000 EA
450 M		8701	4-40 KEPS NUT ZINC	16.000 EA
464 M		8745	6-32 X 3/4" HH MS UD ZINC	10.000 EA
465 M		8747	6-32 X 1/2 JJ UD MS ZC	2.000 EA
467 M		8793	4-40 HEX NUT ZINC	2.000 EA
470 M		8800	6-32 KEPS NUT ZINC	16.000 EA
480 M		8820	#8 FLAT WASHER B.O.	9.000 EA
485 M		8829	6-32X3/8 FL PH "C" #4HD BO	2.000 EA
490 M		8832	6-32 X 1/4 PN PH MS BO	8.000 EA
495 M		8837	6-32 X 1/2 RH PH BO MS	1.000 EA
496 M		8838	6-32X1" HH MS UD ZINC	2.000 EA
499 M		8841	10-32 KEPS NUT ZINC	4.000 EA
510 M		8852	#6 INTERNAL TOOTH LOCKWASHER	8.000 EA
514 M		8831	6-32 X 1/4 RH PH MS ZN	1.000 EA
519 M		8861	4-40 X 3/8 PN PH MS BO	18.000 EA
521 M		8865	4-40 X 5/16 PN PH MS BO	2.000 EA

## BILL OF MANUFACTURING - SPECIALITY PARTS FOR EUROPE

YSL		PART#	DESCRIPTION	QTY
350 M		1233	MP-8E XFMR 1.000 EA	1.000 EA
355 M		2475	3A SB FUSE (5X20MM) (NA CAT)	1.000 EA
357 M		2479	5A FB FUSE (5X20MM)	4.000 EA
360 M		3406	FUSEHOLDER SEMKO F20B CLIFF	1.000 EA
372 M		3474	EU LINE CORD W/ RECEPT RKK 7-U11-1	1.000 EA
375 M		3645	AC SOCKET LAMB	1.000 EA
390 M		3694	ROCKER SWITCH BLK/BLK 160211E	1.000 EA
418 M		8486	M3.5 EURO SPRING TOOTH LOCKWASHER	1.000 EA

BILL OF MANUFACTURING - FINISHING PARTS

20 M	663 MP-8 CARTON		1.000 EA
31 M	3573 SHORT REVERB ACCU/RO01-EB2C1D-Y01		1.000 EA
32 M	3793 #10 SOLDER LUG	3.00	1.000 EA
40 M	3802 CONT. GROMMET STP. BLK. CGS06		.500 FT
42 M	3833 6 X 3/8 NY STANDOFF		4.000 EA
50 M	8457 R340 STRAP HANDLE W CLIPS		1.000 EA
60 M	8473 #10 BLACK CUPWASHER SWF-10BK		4.000 EA
70 M	8674 R385 PLASTIC CORNER PIECE W TREAD		8.000 EA
75 M	8770 1/4-20 X 1&5/16 TH PD BO MS		4.000 EA
80 M	8785 8X3/4 OH PH TYPE A BO WOODSCREW		32.000 EA
82 M	8800 6-32 KEPS NUT ZINC		7.000 EA
83 M	8820 #8 FLAT WASHER B.O.		5.000 EA
85 M	8830 6-32 X 7/8 PAN HEAD PH MS BO		5.000 EA
90 M	8843 10-32 X 1&1/4 FL PH MS BO SCREW		6.000 EA
120 M	8889 RUBBER GROMMET 2183		4.000 EA
150 M	8902 MP-8 MANUAL		1.000 EA
160 M	8904 MP-8 SCHEMATIC		1.000 EA
170 M	9898 BLACK LEVANT-8609 LEATHERETTE		6.250 FT

BILL OF MANUFACTURING - M493 MPS CHANNEL BOARD

YSL

-----	PART#	----- DESCRIPTION -----	QTY
360 M	3455	RCA JACK PC MOUNT 3514PC SWITCHCRAF	2.000 EA
370 M	3498	M203-92 PLAIN PC MNT JK SKT	6.000 EA
380 M	3631	MOLEX 9 PIN CONNECTOR F #2145B	1.000 EA
390 M	3650	NCPFCB-H XLR PCB ADAPTOR	8.000 EA
400 M	3677	5" MOLEX JUMP 8 POS-26AWGX19#24369	4.000 EA
415 M	3741	.5" SPACER ID-.171 OD-.25 #912-500	7.000 EA
430 M	4560	2K POT 05C TAP V016L8-2PVBN30F(BC)	8.000 EA
435 M	4561	10K POT 1B TAP V016L8-2PVBN30F(BC)	7.000 EA
440 M	4563	50K POT 1B TAP V016L8-2PVBN30F(BC)	21.000 EA
445 M	6405	RED LED CQW54-5 PHILIPS	7.000 EA
450 M	8672	4-40 X 3/16 SWAGE SPACER 1790-2	2.000 EA
20 M	4597	AUTOINSERTED S-WIRE JUMPER	29.000 EA
30 M	4605	10R 5% 1/8W RES	8.000 EA
40 M	4808	2K 5% 1/4W RES T&R	1.000 EA
50 M	4812	18R 5% 1/4W RES T&R	8.000 EA
60 M	4821	470R 5% 1/4W RES T&R	23.000 EA
64 M	4823	1K 5% 1/4W RES T&R	6.000 EA
67 M	4826	3K3 5% 1/4W RES T&R	1.000 EA
70 M	4827	4K7 5% 1/4W RES T&R	15.000 EA
75 M	4829	10K 5% 1/4W RES T&R	4.000 EA
90 M	4830	15K 5% 1/4W RES T&R	1.000 EA
95 M	4832	22K 5% 1/4W RES T&R	6.000 EA
97 M	4834	47K 5% 1/4W RES T&R	13.000 EA
109 M	4847	2K2 5% 1/4W RES T&R	21.000 EA
115 M	4852	100R 5% 1/4W RES T&R	7.000 EA
120 M	4854	1K2 5% 1/4W RES T&R	15.000 EA
125 M	4856	12K 5% 1/4W RES T&R	12.000 EA
140 M	4868	38K 5% 1/4W RES T&R	7.000 EA
145 M	4879	270K 5% 1/4W RES T&R	14.000 EA
150 M	4899	39R 5% 1/4W RES T&R	8.000 EA
180 M	5314	100N/50V BEAD C420C104K5R5CA	22.000 EA
200 M	5402	15PF/100V TUB CAP UP125NPO150J	9.000 EA
210 M	5410	100PF/100V TUB CAP UP125SL101J	2.000 EA

215 M	5422 1N/50V TUB CAP 56150102 Y5P	19.000 EA
230 M	5846 22UF/25V AX CAP 03026229	6.000 EA
240 M	5861 4.7UF/63V AX CAP 03028478	6.000 EA
250 M	6825 IN4148 75V 450MA DIODE(IN914)	61.000 EA
270 M	5625 330U/10V ELEC RAD. 03554331	8.000 EA
280 M	5871 22UF/25V ELECTRO CAP RD (NA CAT)	10.000 EA
281 M	5872 100UF/25V AX CAP 03126101	3.000 EA
289 M	5874 100UF/25V RADIAL CAP 03556101	3.000 EA
290 M	5875 4.7UF/63V RAD 03558478 YORK	2.000 EA
320 M	6834 MPSA63 PNP DARL SS TRANS T092	3.000 EA
322 M	6878 TL071CP FET OP AMP	1.000 EA
327 M	6882 TL072 DUAL OP AMP YORK	3.000 EA
330 M	6884 NE5532 FE OP AMP SIGNETICS	4.000 EA
340 M	6887 MPSA13 NPN DARL SS TRANS T092	4.000 EA

BILL OF MANUFACTURING - MP-8 M494 POWER SUPPLY AMP PCB

YSL  
PART# -- DESCRIPTION ----- QTY

900 M	2415 5AMP FAST-BLD (1/4" X 1 1/4") FUSE	4.000 EA
910 M	3414 INTERNATIONAL PC MOUNT FUSEHOLDER	8.000 EA
920 M	3498 M203-92 PLAIN PC MNT JK SKT	4.000 EA
922 M	3501 B52200F006 COMP WASH #4 SMALL	2.000 EA
925 M	3511 #6 FLAT WASHER NYLON	2.000 EA
930 M	3521 RGT ANGLE MOLEX 2145-8A	1.000 EA
940 M	3557 MOLEX 4 PIN MALE (09-65-1041)	4.000 EA
943 M	3620 5.5" MOLEX RIBBON CABLE 77006155	1.000 EA
944 M	3806 B09002A001 RECT WASHER	2.000 EA
945 M	3807 T0220 THERMAL CONDUCTOR K454 RTHETA	6.000 EA
946 M	3808 B52200F004 #6 BELL WASHER	8.000 EA
947 M	3815 T03 PREGREASED MICA 56-03-2AP	4.000 EA
950 M	3819 5 UH COIL 29 AWG AIR CORE	2.000 EA
960 M	4528 2K2 TRIMPOT 48375222	2.000 EA
962 M	4719 R18 10W RES	4.000 EA
970 M	5866 4700UF/63V FIL/CAP/5864RPE63V472M	2.000 EA
978 M	6434 200V/6A RECT DIO. P600D(6A2 RECTRON	4.000 EA
980 M	6787 BD237 NPN TRANSISTOR T0126	2.000 EA
990 M	6788 BD238 PNP TRANSISTOR T0126	2.000 EA
992 M	6865 2N3773 NPN TRANSISTOR T03	2.000 EA
995 M	6861 2N6609 PNP TRANSISTOR T03	2.000 EA
004 M	8792 4-40 X 1/2 PN PH MS ZN	2.000 EA
005 M	8793 4-40 HEX NUT ZINC	2.000 EA
008 M	8800 6-32 KEPS NUT ZINC	2.000 EA
010 M	8822 6-32X1.75 PN HEAD PH MS ZINC	8.000 EA
020 M	8826 6-32 X 3/4 ROUND HEAD PH MS ZN	2.000 EA
030 M	8854 6-32 X 1/4 HEX NUT ZINC	8.000 EA
040 M	8880 3/16" PUSHNUT SPAENAU #177078	2.000 EA
050 M	8881 #8 3/4"OD FLATWASHER SPAENAU# 1183	2.000 EA
200 M	4597 AUTOINSERTED S-WIRE JUMPER	60.000 EA
205 M	4614 1K6 5% 1/2W RES T&R	4.000 EA
230 M	4631 2K 5% 1/2W RES	2.000 EA
235 M	4635 3K 5% 1/2W RES T&R	14.000 EA
240 M	4664 2K7 5% 1/2W RES T&R	2.000 EA
245 M	4666 4R7 5% 1/2W RES T&R	4.000 EA
250 M	4675 10R 5% 1/2W RES T&R	2.000 EA
270 M	4881 360R 5% 1/4W RES T&R	8.000 EA
300 M	4813 6R2 5% 1/4W RES	4.000 EA
310 M	4817 47R 5% 1/4W RES T&R	8.000 EA
320 M	4823 1K 5% 1/4W RES T&R	10.000 EA
340 M	4827 4K7 5% 1/4W RES T&R	10.000 EA

350 M	4828 6K8 5% 1/4W RES T&R	2.000 EA
359 M	4829 10K 5% 1/4W RES T&R	6.000 EA
360 M	4830 15K 5% 1/4W RES T&R	4.000 EA
370 M	4831 18K 5% 1/4W RES T&R	2.000 EA
380 M	4832 22K 5% 1/4W RES T&R	8.000 EA
390 M	4834 47K 5% 1/4W RES T&R	2.000 EA
400 M	4840 33K 5% 1/4W RES T&R	4.000 EA
410 M	4844 1M 5% 1/4W RES T&R	1.000 EA
420 M	4845 2N2 5% 1/4W RES T&R	2.000 EA
430 M	4851 120K 5% 1/4W RES T&R	4.000 EA
440 M	4852 100R 5% 1/4W RES T&R	6.000 EA
460 M	4856 12K 5% 1/4W RES T&R	6.000 EA
470 M	4859 150R 5% 1/4W RES T&R	2.000 EA
475 M	4864 2K7 5% 1/4W RES T&R	6.000 EA
500 M	4876 16K 5% 1/4W RES T&R	2.000 EA
510 M	4877 1R 5% 1/4W RES T&R	6.000 EA
520 M	5300 10N/50V BEAD C410C103K5R5CA	4.000 EA
530 M	5314 100N/50V BEAD C420C104K5R5CA	3.000 EA
550 M	5402 15PF/100V TUB CAP UP125NPD150J	2.000 EA
560 M	5408 47PF/100V TUB CAP UP125SL470J	2.000 EA
570 M	5414 270PF 50V TUB 56150271	2.000 EA
575 M	5443 4.7PF/50V TUB CAP 56131478 NPD	2.000 EA
580 M	5846 22UF/25V AX CAP 03026229	2.000 EA
600 M	5861 4.7UF/63V AX CAP 03028478	8.000 EA
603 M	5876 1UF/63V AXIAL CAP 03028108	2.000 EA
605 M	5943 68UF/16V AX CAP 03025689	2.000 EA
610 M	6425 BAV21 200V 250MA DIODE	2.000 EA
620 M	6433 1N5257A 33V 500MW ZENER	2.000 EA
630 M	6436 1N753A/BZX79C6V2 6V2 500MW 5% DIODE	2.000 EA
640 M	6438 1N4004 400V 1AMP DIODE YORK	16.000 EA
650 M	6463 BZX79B22/1N5251B 5% 22 V ZENER	1.000 EA
660 M	6735 MBR030 SCHOTTKY RECTIFIER	6.000 EA
665 M	6824 1N5246B/BZX79C16 16V 500MW 5%	2.000 EA
670 M	6825 1N4148 75V 450MA DIODE(IN914)	34.000 EA
705 M	5621 470UF/63V RAD 03758471	2.000 EA
710 M	5627 47UF/10V NP ELEC RAD #10NW47	2.000 EA
730 M	5865 .1UF/250V CAP 36845104	6.000 EA
740 M	5914 100UF 63V RAD 03758101	6.000 EA
760 M	6458 2N5551 NPN SS TRANS T092	2.000 EA
770 M	6745 LM13600 TRANSCONDUCTANCE AMP IC	1.000 EA
780 M	6771 BC560C PNP SS TRANS T092E	10.000 EA
790 M	6786 BC550C NPN SS TRANS T092E	8.000 EA
810 M	6848 MPSA06 NPN SS TRANS T092	2.000 EA
820 M	6851 2N5638 N CHAN FET SS TRANS T092	2.000 EA

BILL OF MANUFACTURING - MP-8 M495 MASTER PCB

YSL

PART# ----- DESCRIPTION ----- QTY

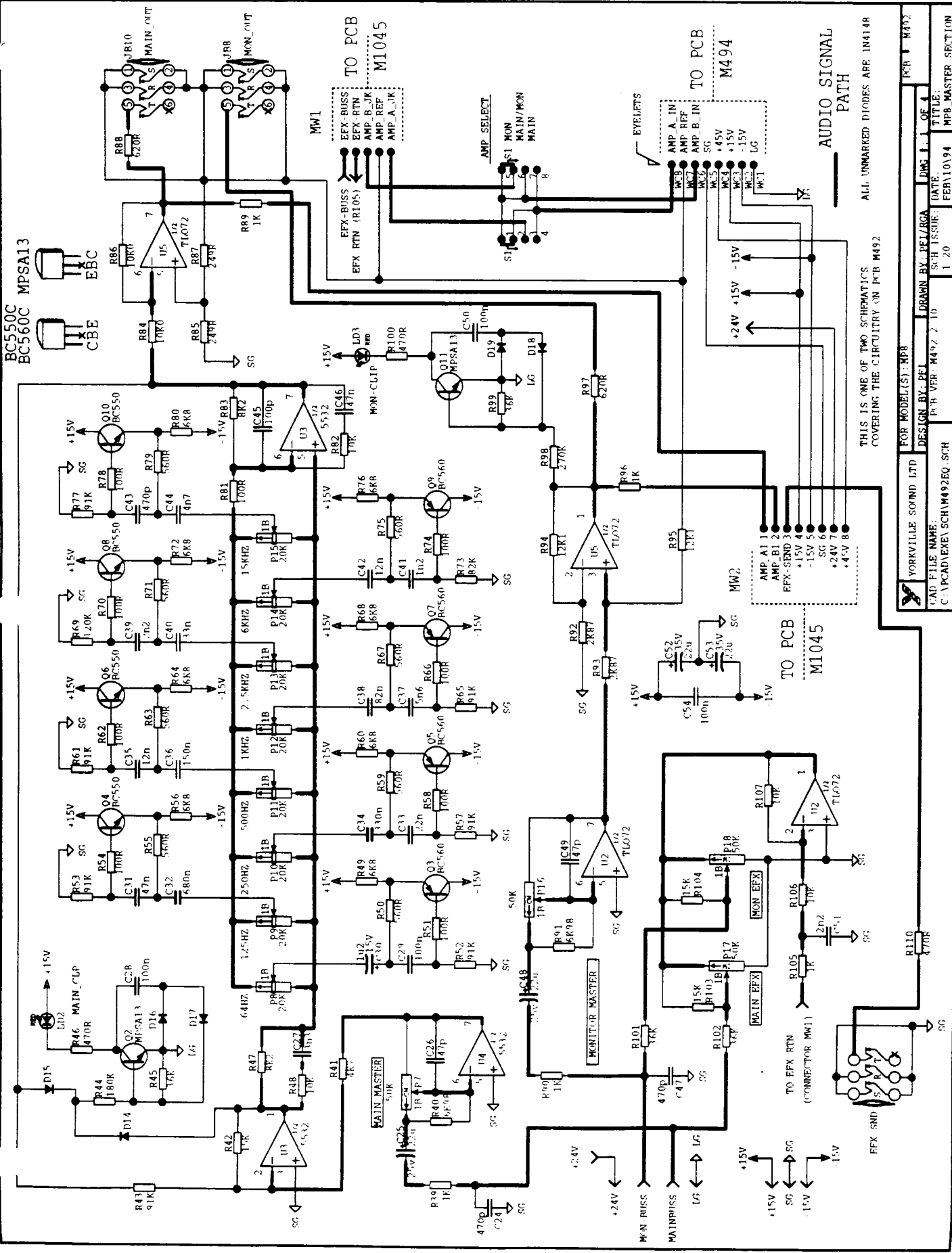
580 M	3450 6203-02 ALL GOLD PC MNT JK SKT	1.000 EA
590 M	3498 M203-92 PLAIN PC MNT JK SKT	2.000 EA
610 M	3523 M203-92A GOLD TIP PC MNT JK SKT	3.000 EA
620 M	3677 5" MOLEX JUMP 8 POS-26AWGX19#24369	2.500 EA
623 M	3697 3POS 2CONT SWITCH R20307RRO20	1.000 EA
627 M	3740 .4" LEAD SPACER OD-.085 #901-400	6.000 EA
629 M	3741 .5" SPACER ID-.171 OD-.25 #912-500	3.000 EA
630 M	4563 50K POT 1B TAP V016L8-2PVBN30F(BC)	4.000 EA
640 M	4576 20K 30MM MON SLID VJ3013-2PVN15C-1B	8.000 EA
650 M	6405 RED LED COW54-5 PHILIPS	3.000 EA
660 M	6461 1N5240B 10V 500MW 5% ZENER DIODE	2.000 EA

50 M	4597 AUTOINSERTED S-WIRE JUMPER	44.000 EA
60 M	4801 6K98 1% 1/4W RES T&R	4.000 EA
80 M	4821 470R 5% 1/4W RES T&R	3.000 EA
82 M	4823 1K 5% 1/4W RES T&R	3.000 EA
83 M	4824 1K5 5% 1/4W RES T&R	1.000 EA
85 M	4826 3K3 5% 1/4W RES T&R	3.000 EA
90 M	4827 4K7 5% 1/4W RES T&R	1.000 EA
100 M	4828 6K8 5% 1/4W RES T&R	10.000 EA
110 M	4829 10K 5% 1/4W RES T&R	3.000 EA
120 M	4830 15K 5% 1/4W RES T&R	3.000 EA
130 M	4836 68K 5% 1/4W RES T&R	3.000 EA
140 M	4837 82K 5% 1/4W RES T&R	1.000 EA
160 M	4849 180K 5% 1/4W RES T&R	2.000 EA
169 M	4851 120K 5% 1/4W RES T&R	1.000 EA
170 M	4852 100R 5% 1/4W RES T&R	11.000 EA
175 M	4856 12K 5% 1/4W RES T&R	5.000 EA
177 M	4859 150R 5% 1/4W RES T&R	1.000 EA
180 M	4863 8K2 5% 1/4W RES T&R	1.000 EA
190 M	4868 36K 5% 1/4W RES T&R	4.000 EA
200 M	4871 560R 5% 1/4W RES T&R	10.000 EA
205 M	4879 270K 5% 1/4W RES T&R	2.000 EA
207 M	4891 620R 5% 1/4W RES T&R	2.000 EA
210 M	4898 91K 5% 1/4W RES T&R	7.000 EA
230 M	4901 13K 5% 1/4W RES T&R	2.000 EA
240 M	5301 12N/50V BEAD CAP C410C123K5R5CA	2.000 EA
260 M	5304 22N/50V BEAD C410C223K5R5CA	2.000 EA
269 M	5306 33N/50V BEAD C410C333K5R5CA	1.000 EA
270 M	5307 39N/50V BEAD CAP 403M50AD393K	1.000 EA
280 M	5308 47N/50V BEAD C410C473K5R5CA	2.000 EA
290 M	5312 82N/50V BEAD CAP 403EM50AD823K	1.000 EA
300 M	5314 100N/50V BEAD C420C104K5R5CA	5.000 EA
310 M	5402 15PF/100V TUB CAP UP125NP0150J	1.000 EA
320 M	5408 47PF/100V TUB CAP UP125SL470J	3.000 EA
330 M	5410 100PF/100V TUB CAP UP125SL101J	1.000 EA
340 M	5416 470PF TUB 50V 56150471 5818	1.000 EA
350 M	5420 680PF TUB 50V 56150681 5817	1.000 EA
355 M	5422 1N/50V TUB CAP 56150102 Y5F	2.000 EA
356 M	5423 1N2/50V BEAD	1.000 EA
360 M	5425 1N8/50V BEAD C410C182K1R5CA	1.000 EA
361 M	5426 2N2/50V TUB CAP 56151222 Y5F	1.000 EA
370 M	5428 3N3/50V TUB CAP 56151332 Y5F	1.000 EA
380 M	5432 4N7/50V TUB CAP 56151472 Y5F	1.000 EA
390 M	5433 5N6/50V BEAD C410C562K1R5CA	1.000 EA
400 M	5846 22UF/25V AX CAP 03026229	1.000 EA
410 M	5861 4.7UF/63V AX CAP 03028478	1.000 EA
420 M	6825 1N4148 75V 450MA DIODE(IN914)	6.000 EA
435 M	5627 47UF/10V NP ELEC RAD #10NW47	1.000 EA
440 M	5871 22UF/25V ELECTRO CAP RD (NA CAT)	4.000 EA
450 M	5875 4.7UF/63V RAD 03558478 YORK	1.000 EA
460 M	5920 150N/100V RAD POLY CAP 36825154	1.000 EA
470 M	5921 330N/100V RAD POLY 36825334	1.000 EA
490 M	5801 1U2/15V/10% AX TANT T110A125K015AS	1.000 EA
510 M	6771 BC560C PNP SS TRANS T092E	5.000 EA
520 M	6786 BC550C NPN SS TRANS T092E	5.000 EA
540 M	6882 TL072 DUAL OP AMP YORK	2.000 EA
550 M	6884 NE5532 FE OP AMP SIGNETICS	2.000 EA
560 M	6887 MP5A13 NPN DARL SS TRANS T092	2.000 EA





BC550C  
BC560C MPSA13



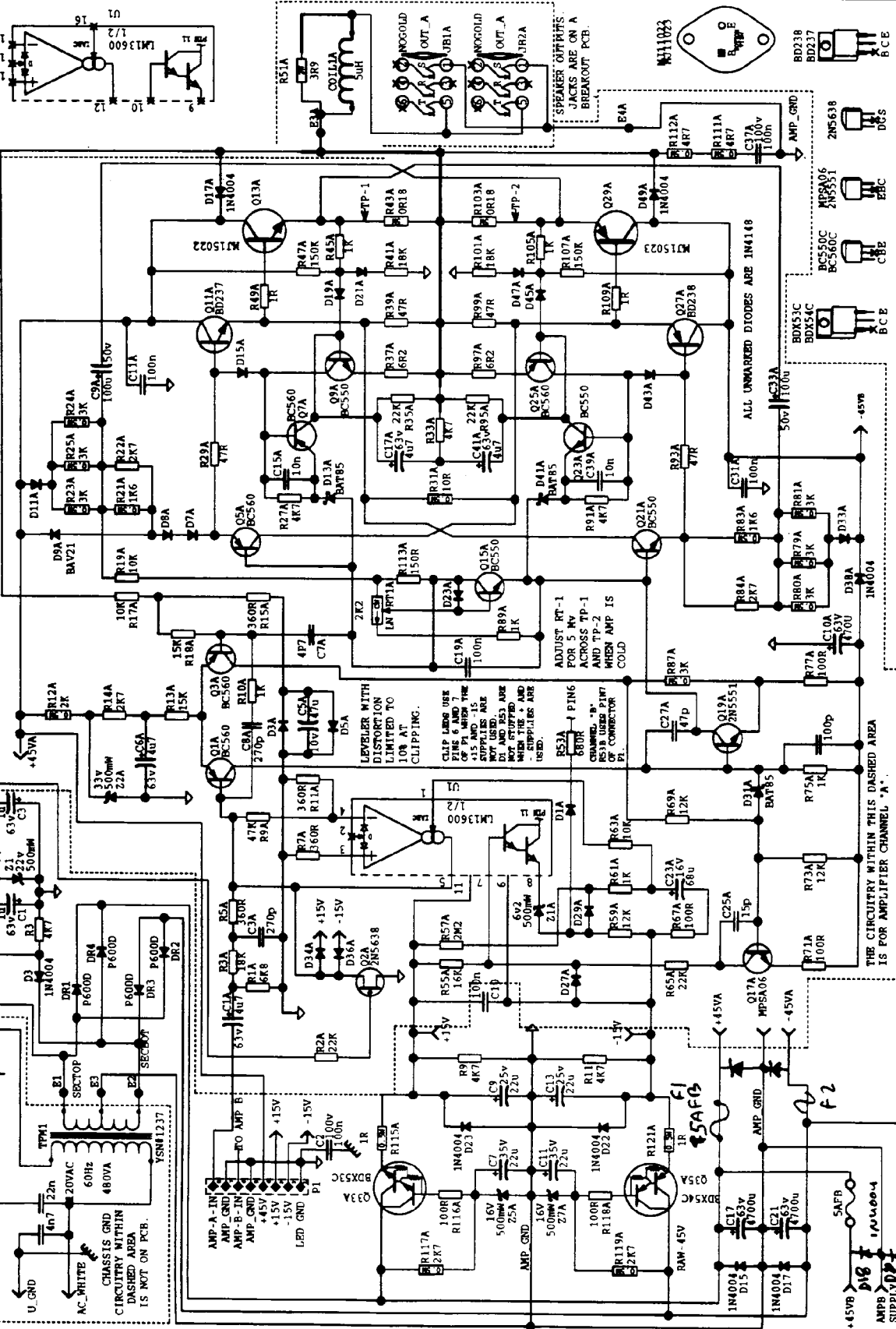
THIS IS ONE OF TWO SCHEMATICS  
COVERING THE CIRCUITRY ON PCB M492

YORKVILLE SOUND LTD	FOR MODEL(S): MP8	DATE:	PCB # M492
CAD FILE NAME:	DESIGN BY: PEL	SCH ISSUE:	OF 4
C:\PCAD\EXEV\SCH\M492EQ.SCH	PCB VER: M492.2.10	1.20	MP8_MASTER_SECTION

ORIGINAL



THIS IS THE 1/2 OUT FOR THE OTHER HALF OF THE LM13600, WHICH BELONGS TO AMP 'B'.



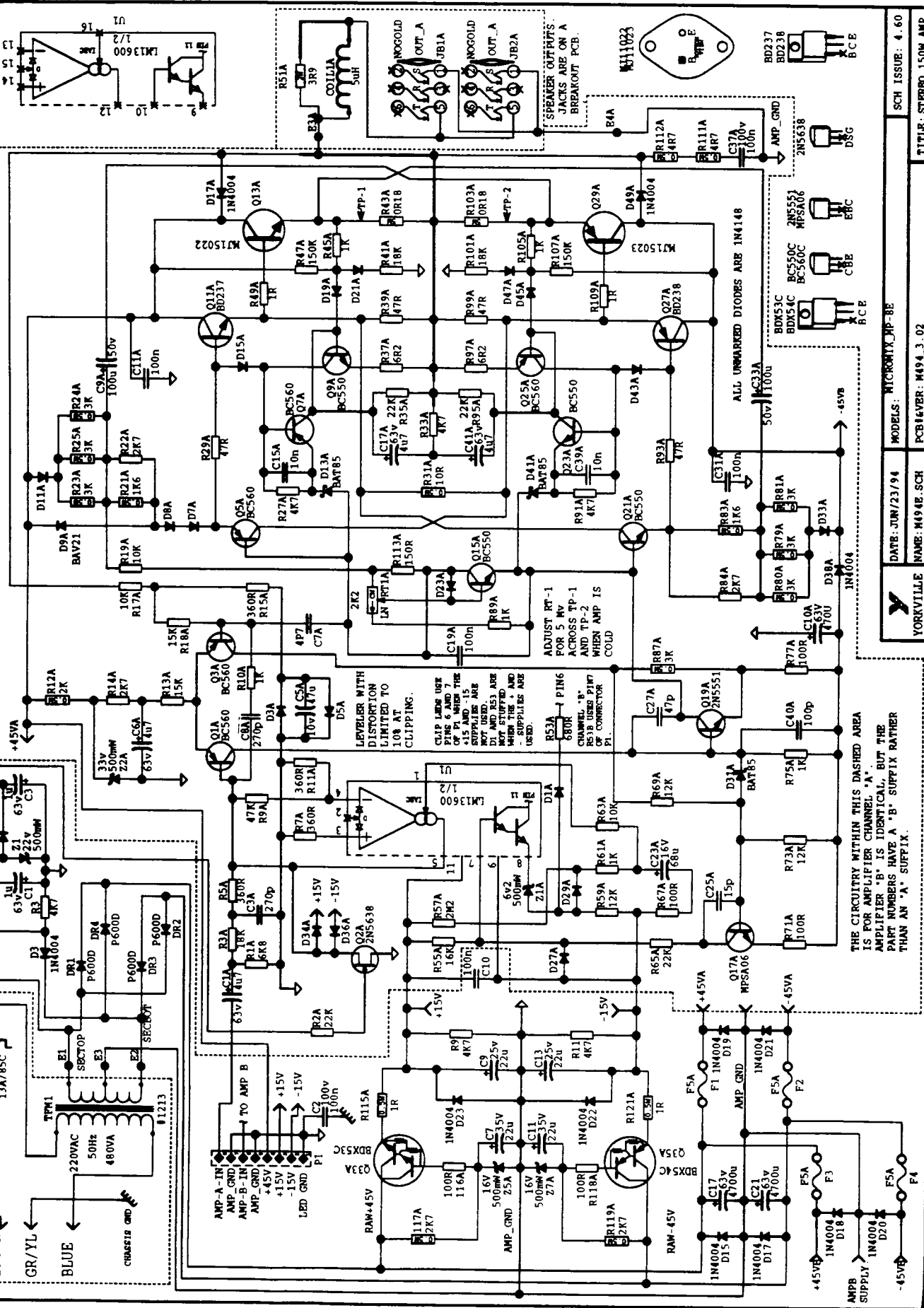
DATE: SEP/06/94	MODELS: MICROKIT_8	SCH ISSUE: 4.70
YORKVILLE NAME: M194.SCH	PCBAVER: M194-3.02	TITLE: STEREO_150W_AMP

ORIGINAL

ALL UNMARKED DIODES ARE 1N4148  
 50V 100n  
 45V  
 THE CIRCUITRY WITHIN THIS DASHED AREA IS FOR AMPLIFIER CHANNEL 'A'.  
 AMPLIFIER 'B' IS IDENTICAL, BUT THE PART NUMBERS HAVE A 'B' SUFFIX RATHER THAN AN 'A' SUFFIX.

NOTE: SAME AS EXP001

THIS IS THE LEFT HALF OF THE LM13600, WHICH BELONGS TO AMP 'B'.



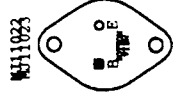
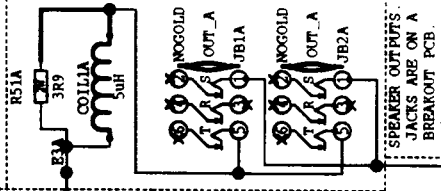
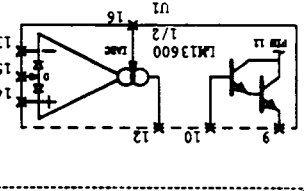
THE CIRCUITRY WITHIN THIS DASHED AREA IS FOR AMPLIFIER CHANNEL 'A'. AMPLIFIER 'B' IS IDENTICAL, BUT THE PART NUMBERS HAVE A 'B' SUFFIX RATHER THAN AN 'A' SUFFIX.

LEVELER WITH DISTORTION LIMITED TO 10% AT CLIPPING.

ADJUST RT-1 FOR 5 MV ACROSS TP-1 AND TP-2 WHEN AMP IS COLD

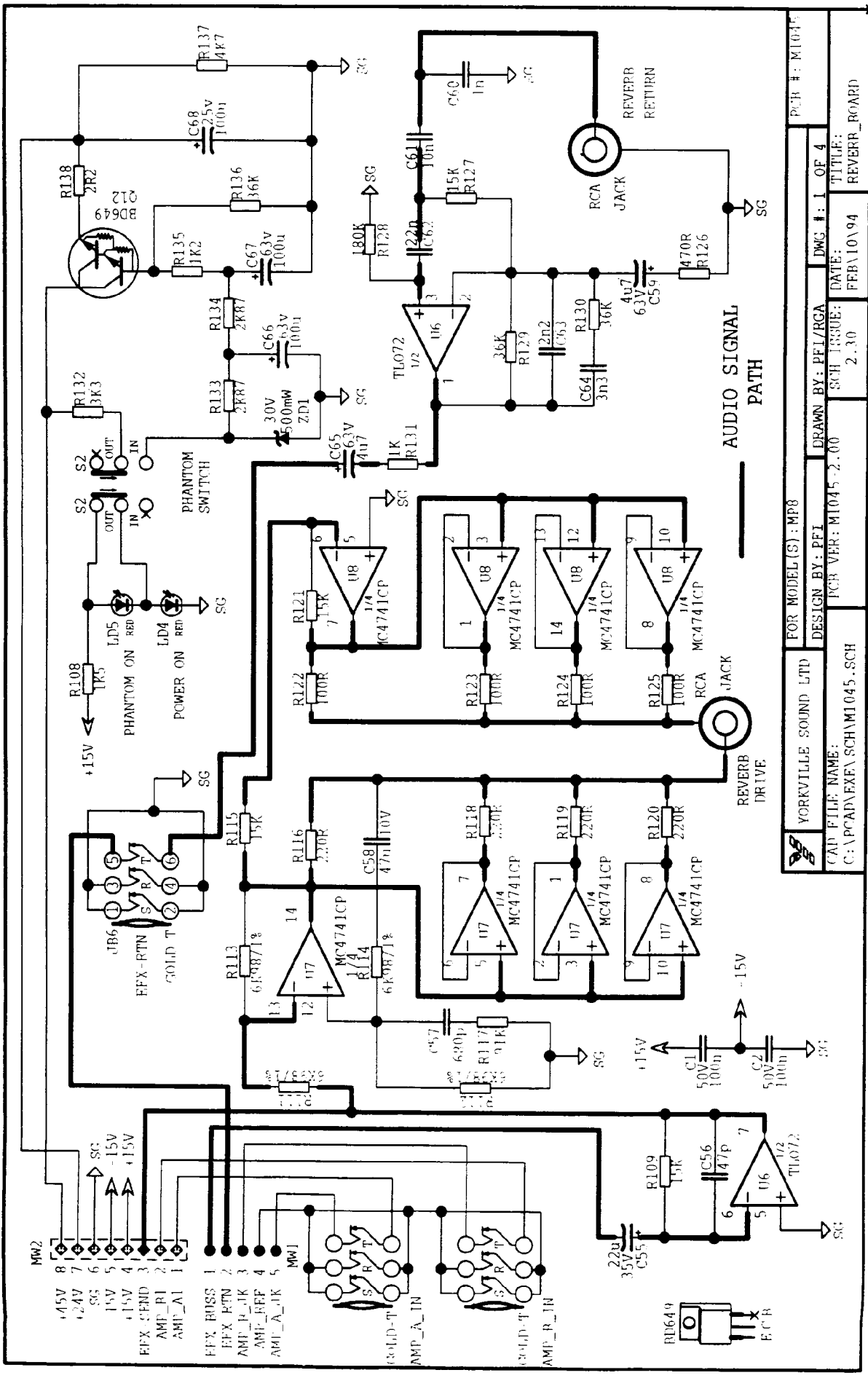
ALL UNMARKED DIODES ARE 1N4148

THIS IS THE RIGHT HALF OF THE LM13600, WHICH BELONGS TO AMP 'B'.



YORKVILLE	DATE: JUN/23/94	MODELS: MICROKIT_MP_8E	SCH ISSUE: 4.60
	NAME: M494E.SCH	PCB REVER: M494_3_02	TITLE: STEREO_150W_AMP

ORIGINAL

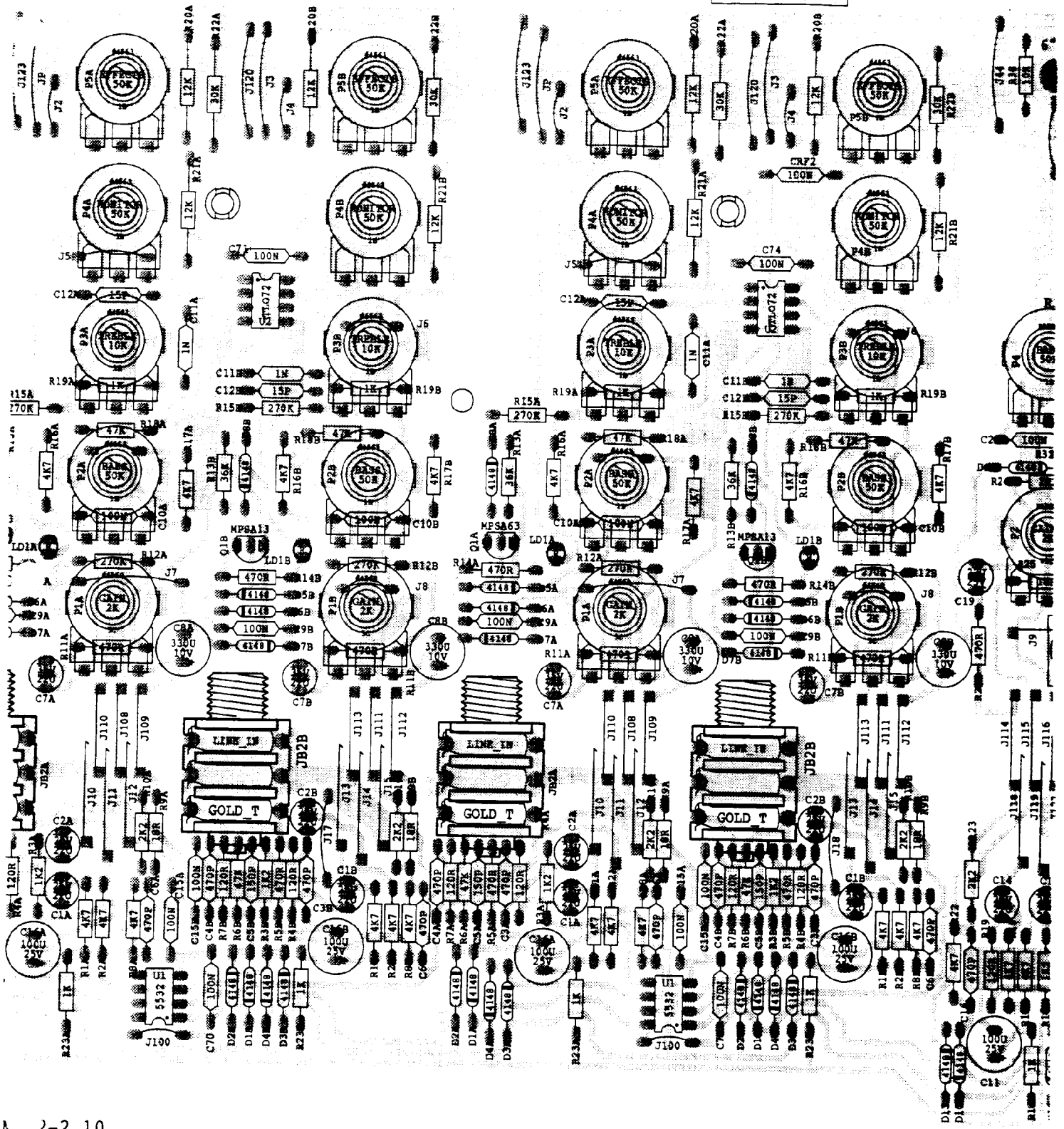


FOR MODEL(S) : MP8	DESIGN BY : PFL/RGA	DWG # : 1 OF 4	PCB # : M1045
YORKVILLE SOUND LTD	DATE : FEB 10 1994	TITLE : REVERB_BOARD	
CAD FILE NAME : C:\PCAD\EXE\SCH\M1045.SCH	PCB VER : M1045-2.00	SCH ISSUE : 2.30	

ORIGINAL



LINEWIDTH GAUGE

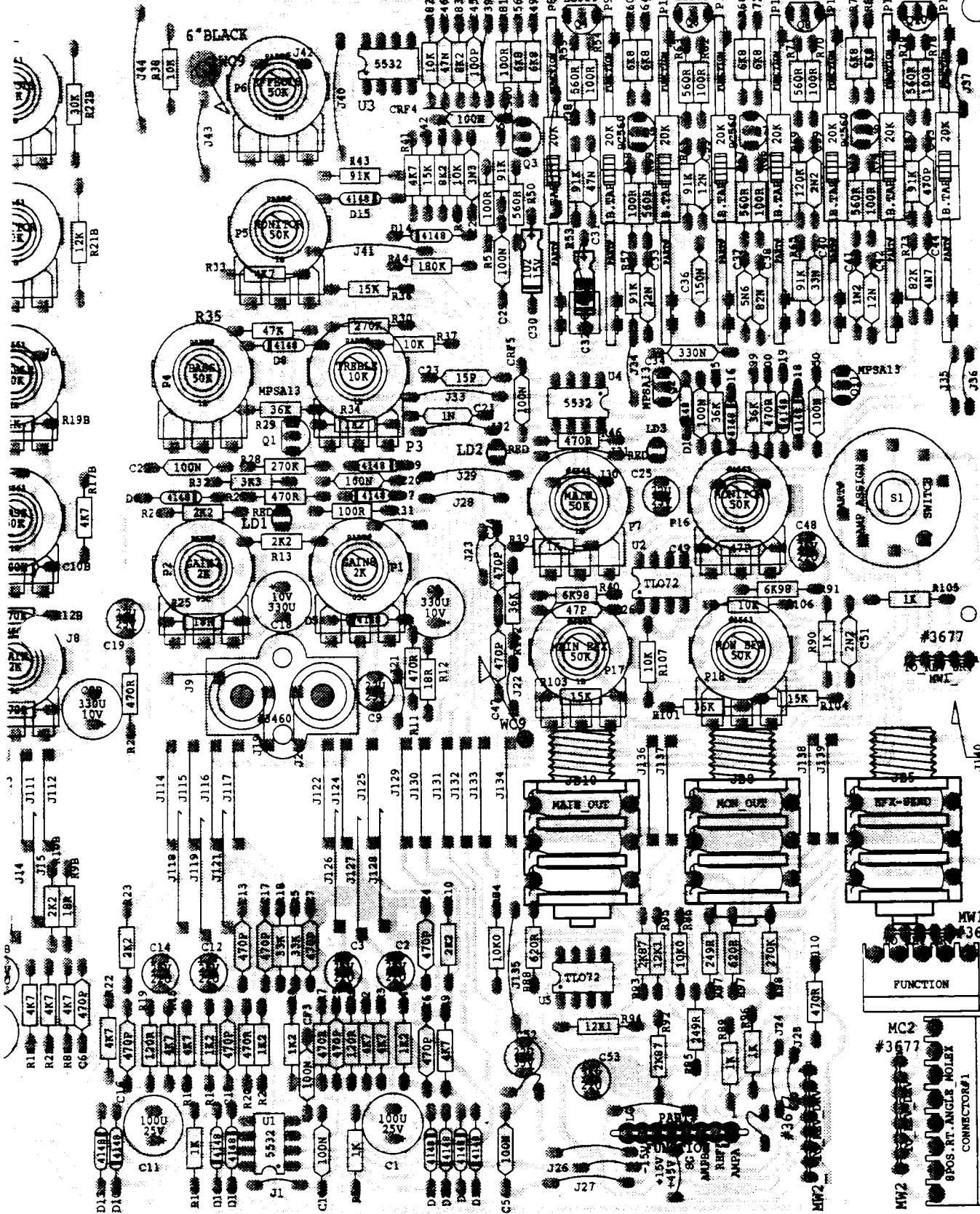


M 2-2.10  
M492-2.10

○ BLANK SIZE=18.400"X9.200"

← M492-2.10

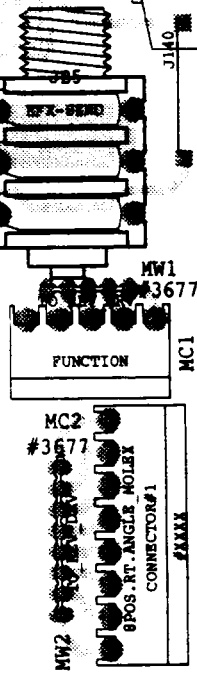
M492-2.10 →



LINEWIDTH GAUGE

RIP 3 OFF 8-WIRE MOLEX FOR 5-WIRE RIBBON

BEND THE MOUNTING PINS OTHER MOLEX CONNECTOR FLAT TO THE PCB

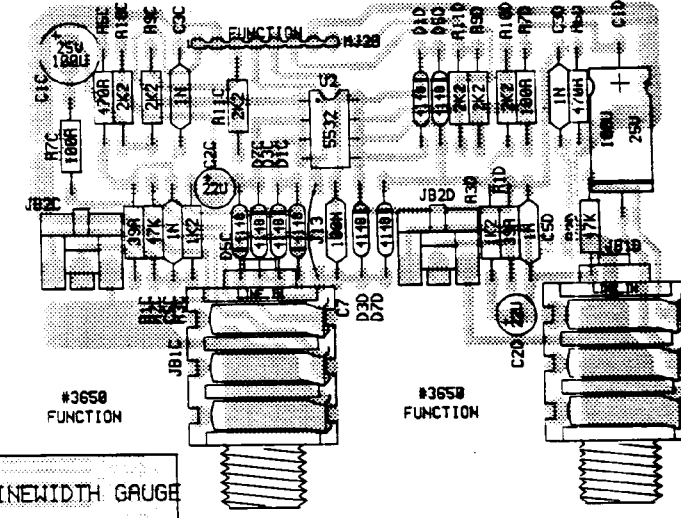
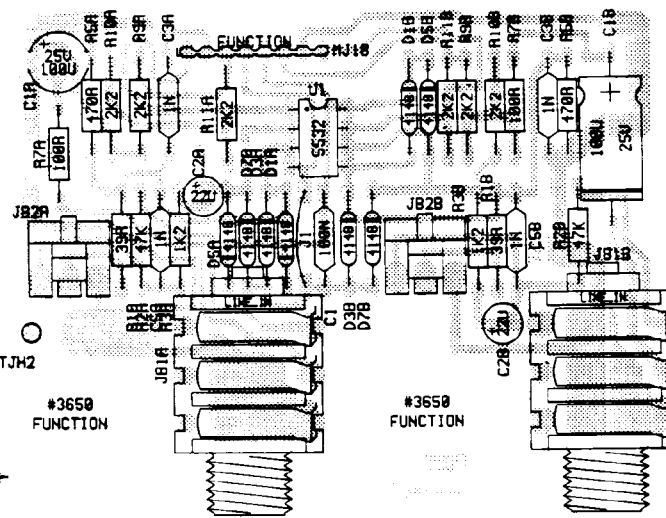
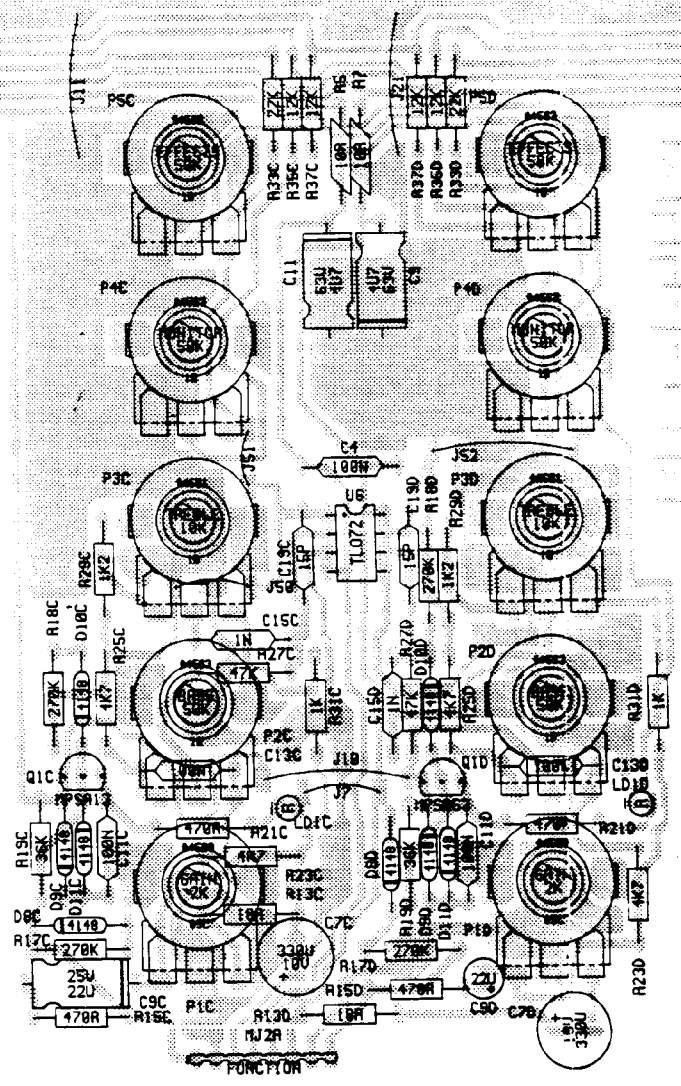
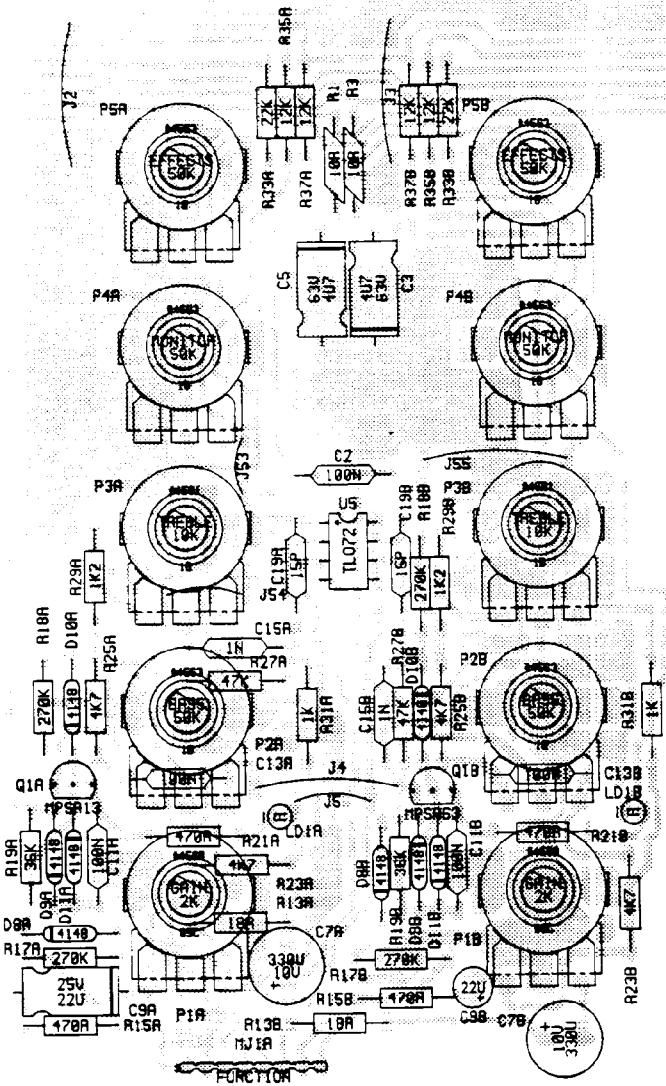


0.200"

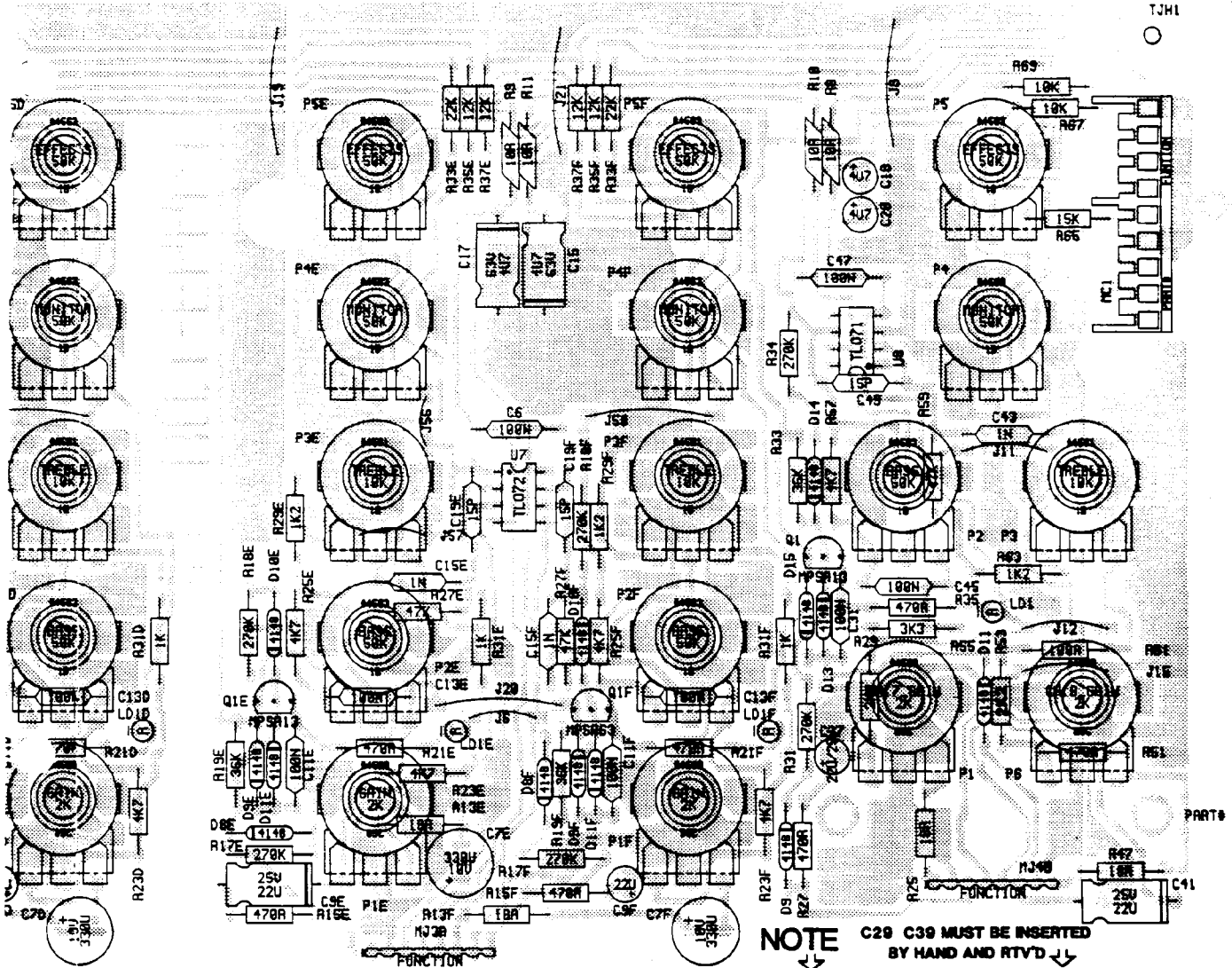


M492-2.10

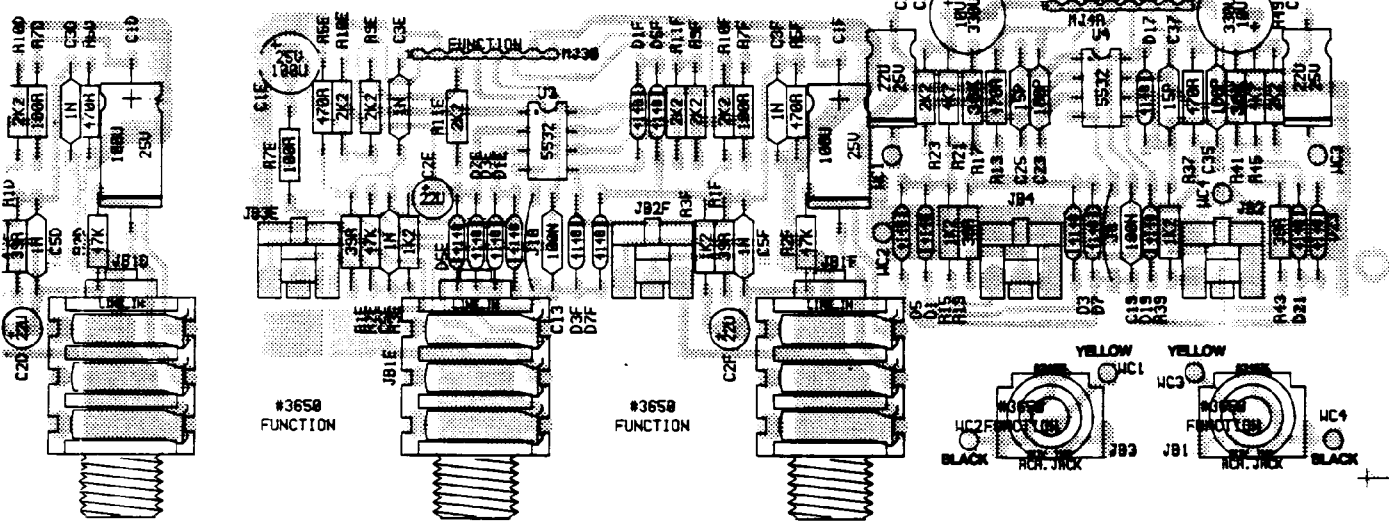




LINEWIDTH GAUGE



**NOTE** C29 C39 MUST BE INSERTED BY HAND AND RTVD

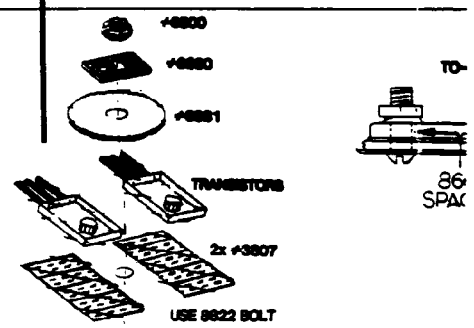
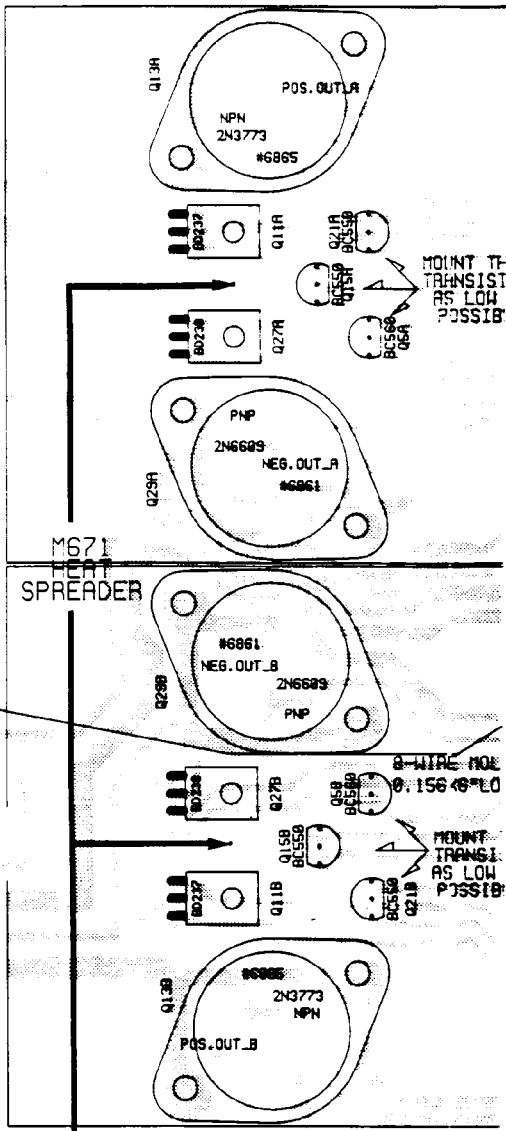
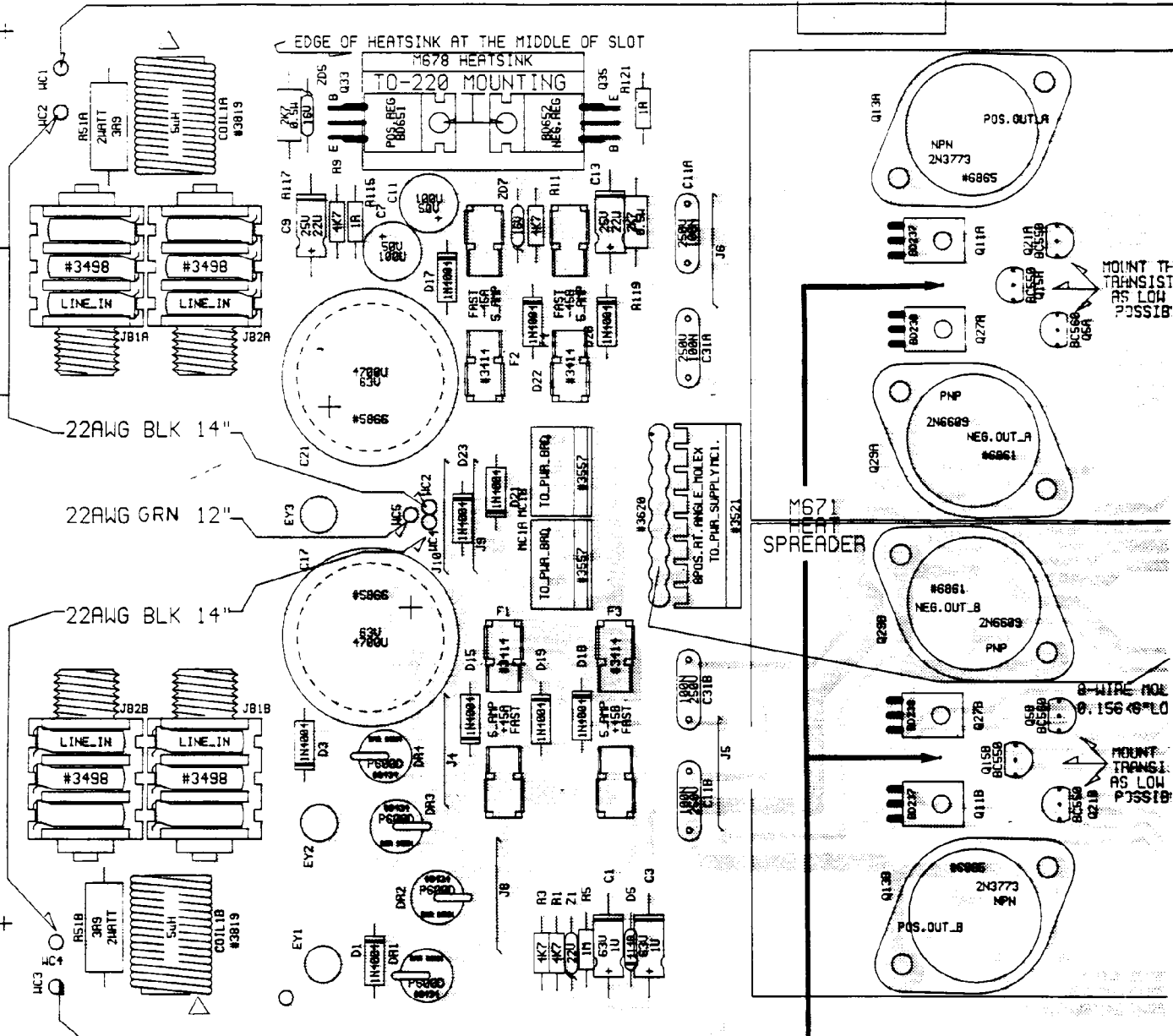
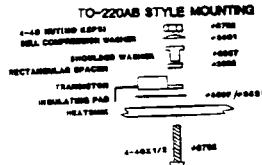


← M493-1.00

ASSEMBLY\_M494-1.10

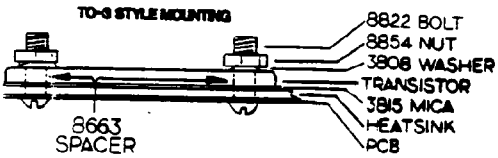
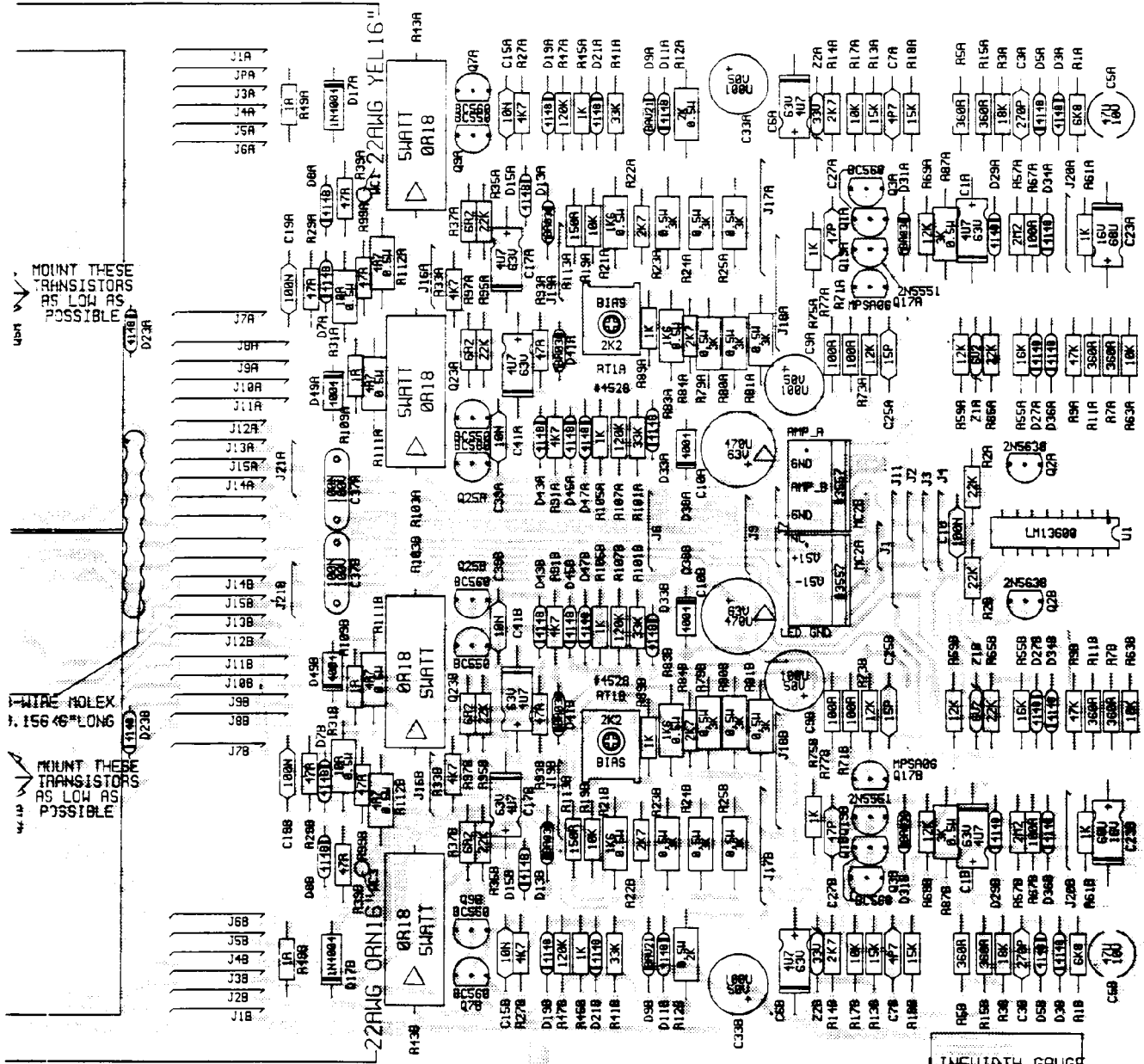
LINEWIDTH GAUGE

B



M494-1.10 →

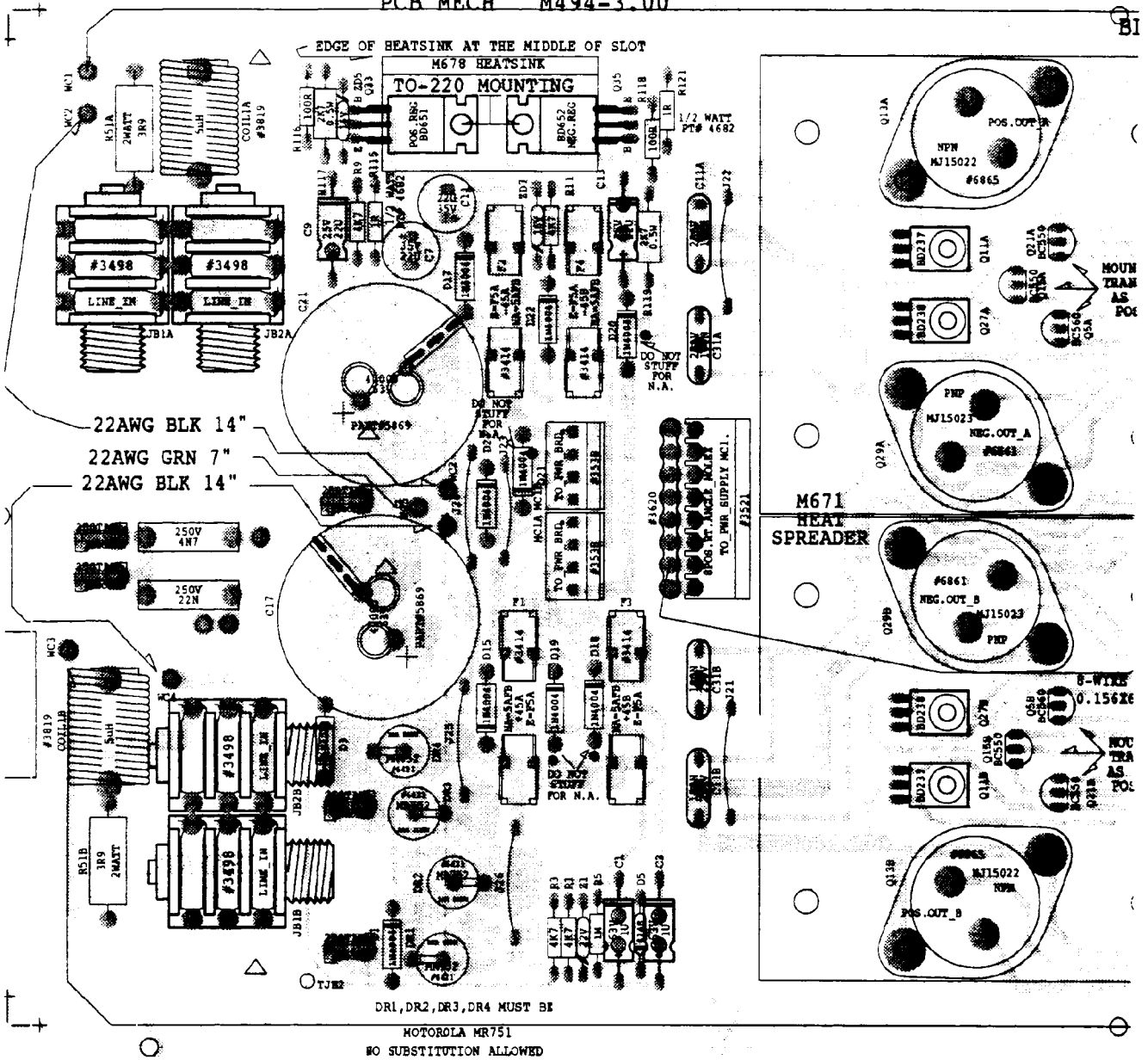
BLANK\_SIZE=16.325"X7.600"



LINEWIDTH GAUGE

← M494-1-10

ASSEMBLY M494-3.00  
PCB MECH M494-3.00



M494-3.00 →

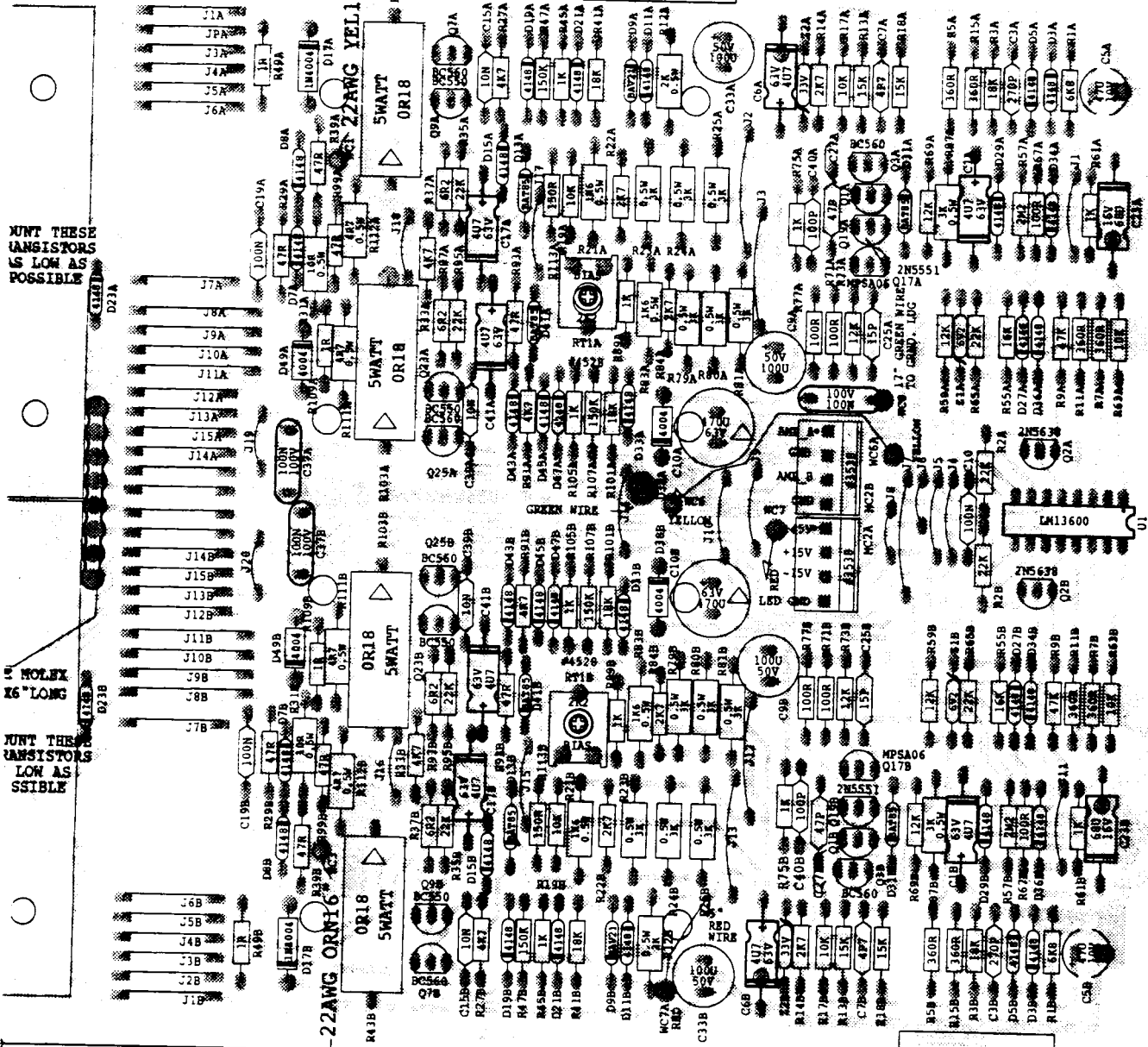
BLANK SIZE=16.325"X7.600

LINEWIDTH GAUGE

WUNT THESE TRANSISTORS AS LOW AS POSSIBLE

1" HOLES X6" LONG

WUNT THE TRANSISTORS AS LOW AS POSSIBLE



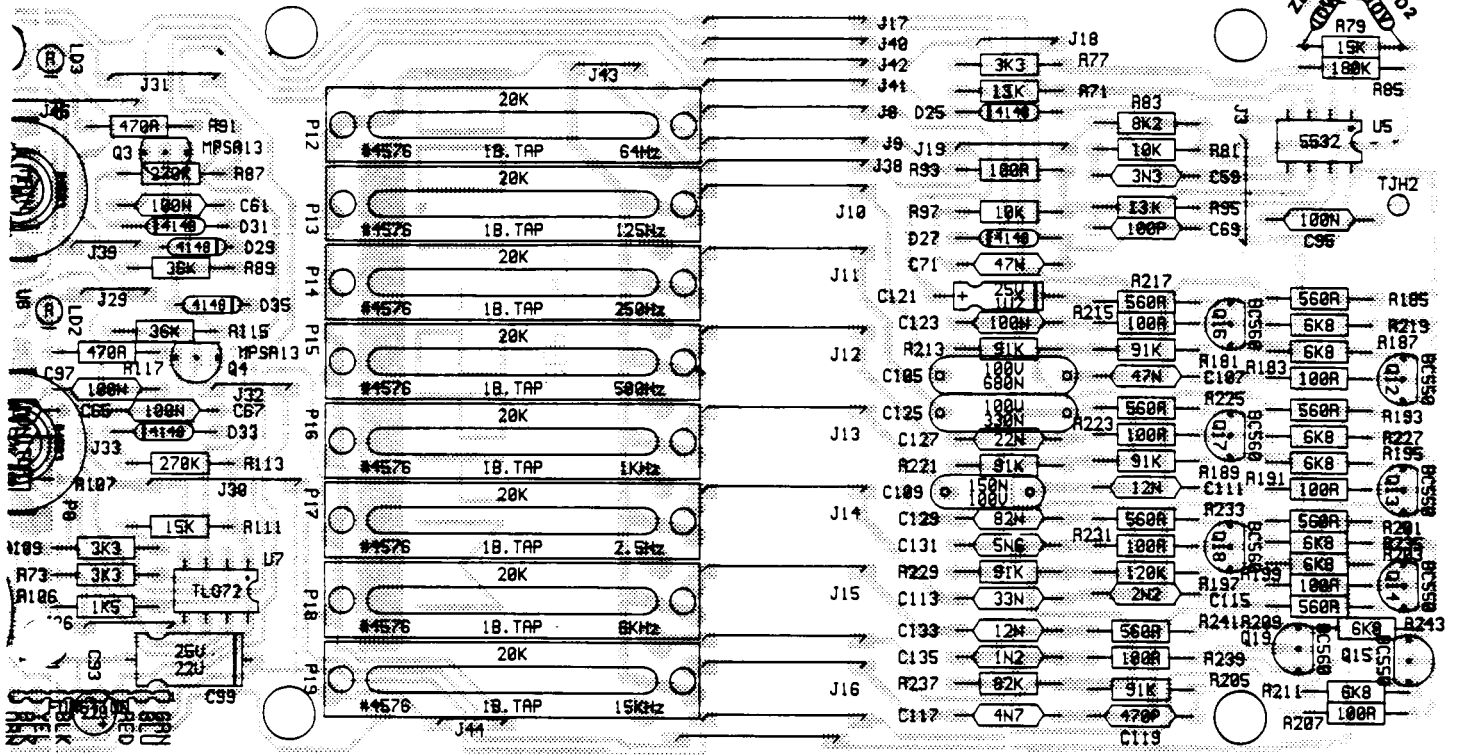
LINEWIDTH GAUGE

LINEWIDTH GAUGE

← M494-3.00



RIBBON  
E



LG  
 U+  
 R GND  
 RHP B  
 R GND  
 RHP A

BLANK\_SIZE=10.300"X14.850"

← M495-1.00