



SERVICE MANUAL

TYPE: MP8D



WEB ACCESS: <http://www.yorkville.com>

**WORLD HEADQUARTERS
CANADA**

Yorkville Sound
550 Granite Court
Pickering, Ontario
L1W-3Y8 CANADA

Voice: (905) 837-8481
Fax: (905) 837-8746

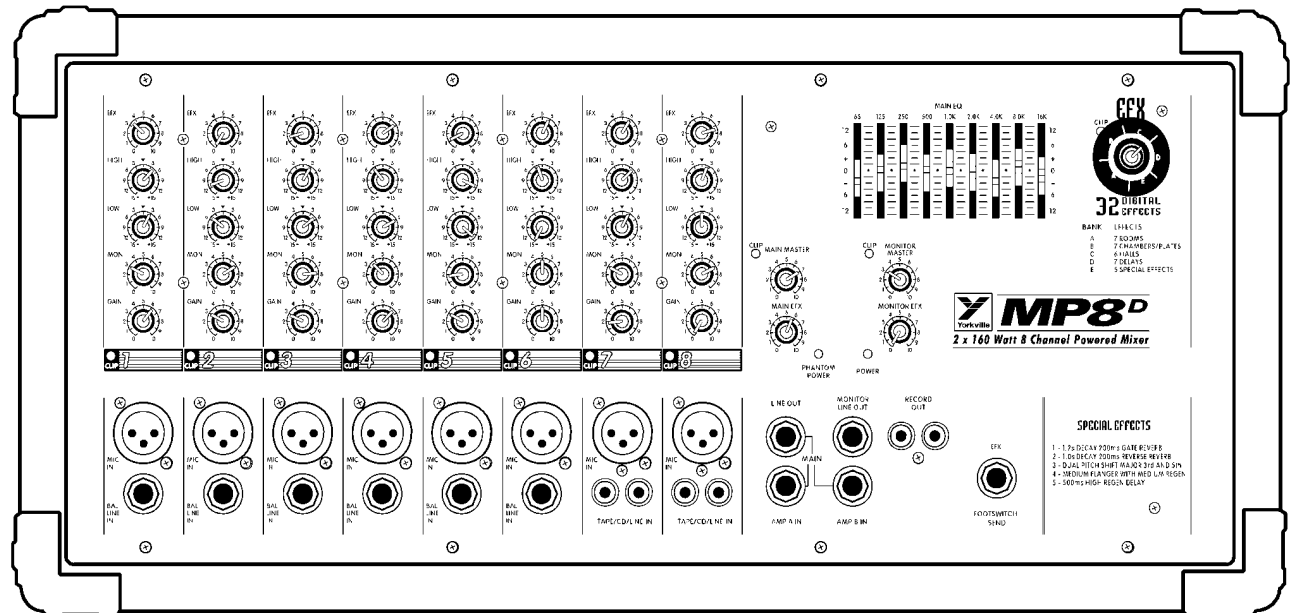
U.S.A.

Yorkville Sound Inc.
4625 Witmer Industrial Estate
Niagara Falls, New York
14305 USA

Voice: (716) 297-2920
Fax: (716) 297-3689



Quality and Innovation Since 1963
Printed in Canada



IMPORTANT SAFETY INSTRUCTIONS



INSTRUCTIONS PERTAINING TO A RISK OF FIRE, ELECTRIC SHOCK, OR INJURY TO PERSONS.

INSTRUCTIONS RELATIVES AU RISQUE DE FEU, CHOC ÉLECTRIQUE, OU BLESSURES AUX PERSONNES.

CAUTION:

TO REDUCE THE RISK OF ELECTRIC SHOCK, DO NOT REMOVE COVER (OR BACK). NO USER SERVICEABLE PARTS INSIDE.

REFER SERVICING TO QUALIFIED SERVICE PERSONNEL.

AVIS:

AFIN DE REDUIRE LES RISQUE DE CHOC ELECTRIQUE, N'ENLEVEZ PAS LE COUVERT (OU LE PANNEAU ARRIERE). NE CONTIENT AUCUNE PIECE REPARABLE PAR L'UTILISATEUR.

CONSULTEZ UN TECHNICIEN QUALIFIE POUR L'ENTRETIEN.

Read Instructions:

The *Owner's Manual* should be read and understood before operation of your unit. Please, save these instructions for future reference.

Packaging:

Keep the box and packaging materials, in case the unit needs to be returned for service.

Warning:

When using electric products, basic precautions should always be followed, including the following:

Power Sources:

Your unit should be connected to a power source only of the voltage specified in the owners manual or as marked on the unit. This unit has a polarized plug. Do not use with an extension cord or receptacle unless the plug can be fully inserted. Precautions should be taken so that the grounding scheme on the unit is not defeated.

Hazards:

Do not place this product on an unstable cart, stand, tripod, bracket or table. The product may fall, causing serious personal injury and serious damage to the product. Use only with cart, stand, tripod, bracket, or table recommended by the manufacturer or sold with the product. Follow the manufacturer's instructions when installing the product and use mounting accessories recommended by the manufacturer.

The apparatus should not be exposed to dripping or splashing water; no objects filled with liquids should be placed on the apparatus.

Terminals marked with the "lightning bolt" are hazardous live; the external wiring connected to these terminals require installation by an instructed person or the use of ready made leads or cords.

No naked flame sources, such as lighted candles, should be placed on the apparatus.

Power Cord:

The AC supply cord should be routed so that it is unlikely that it will be damaged. If the AC supply cord is damaged **DO NOT OPERATE THE UNIT.**

Service:

The unit should be serviced only by qualified service personnel.

Veillez lire le manuel:

Il contient des informations qui devraient étre comprises avant l'opération de votre appareil. Conservez S.V.P. ces instructions pour consultations ultérieures

Emballage:

Conservez la boîte au cas où l'appareil devait étre retourner pour réparation.

Attention:

Lors de l'utilisation de produits électrique, assurez-vous d'adhérer à des précautions de bases incluant celle qui suivent:

Alimentation:

L'appareil ne doit étre branché qu'à une source d'alimentation correspondant au voltage spécifié dans le manuel ou tel qu'indiqué sur l'appareil. Cet appareil est équipé d'une prise d'alimentation polarisée. Ne pas utiliser cet appareil avec un cordon de raccordement à moins qu'il soit possible d'insérer complètement les trois lames. Des précautions doivent étre prises afin d'éviter que le système de mise à la terre de l'appareil ne soit désengagé.

Risque:

Ne pas placer cet appareil sur un chariot, un support, un trépied ou une table instables. L'appareil pourrait tomber et blesser quelqu'un ou subir des dommages importants. Utiliser seulement un chariot, un support, un trépied ou une table recommandés par le fabricant ou vendus avec le produit. Suivre les instructions du fabricant pour installer l'appareil et utiliser les accessoires recommandés par le fabricant.

Il convient de ne pas placer sur l'appareil de sources de flammes nues, telles que des bougies allumées.

L'appareil ne doit pas étre exposé à des égouttements d'eau ou des éclaboussures et qu'aucun objet rempli de liquide tel que des vases ne doit étre placé sur l'appareil.

Les dispositifs marqués d'une symbole "d'éclair" sont des parties dangereuses au toucher et que les câblages extérieurs connectés à ces dispositifs de connection extérieure doivent étre effectués par un opérateur formé ou en utilisant des cordons déjà préparés.

Cordon d'alimentation:

Évitez d'endommager le cordon d'alimentation. **N'UTILISEZ PAS L'APPAREIL** si le cordon d'alimentation est endommagé.

Service:

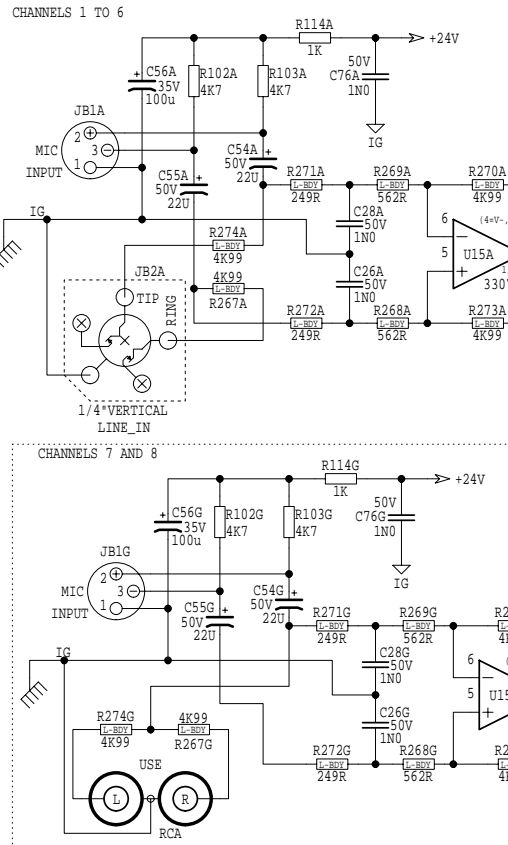
Consultez un technicien qualifié pour l'entretien de votre appareil.

Parts List 10/29/99

YS #	Description	Qty.	YS #	Description	Qty.	YS #	Description	Qty.
3507	28 PIN X .6" I.C DEEP SOCKET	1	5631	_22U 50V 20%CAP T&R 5X7MM .2"EL	26	4913	1.0W 1K 5% T&R RES	4
3550	44PIN PLCC SOCKET	1	5961	_33U 16V 20%CAP T&R RAD .2"NP	6	4981	1/4W 1K 5%MINI T&R RES	20
3557	84PIN PLCC SOCKET	1	5879	100U 16V 20%CAP T&R 8X7MM .2"EL	17	4996	1/4W 1K070 0.1% *** T&R RES	2
3571	28 PIN X .6" I.C. SOCKET	1	5914	100U 63V 20%CAP BLK 10X13MM EL	6	4585	1/4W 1K2 5%MINI T&R RES	18
6994	CRYSTAL CODEC 44PIN PLCC	1	5630	330U 25V 20%CAP BLK 10X13MM EL	8	4718	5.0W 1K5 5% BLK RES	4
6940	16MHZ CRYSTAL VERT 2-PIN .25"CASE	1	5887	2200U 50V 20%CAP BLK 18X27MM EL	1	4824	1/4W 1K5 5% T&R RES	5
5906	RED 3MM LED 1V9 20MA .4SPCER T&R	11	5890	5600U 100V 20%CAP RAD 35X50MM ELS	2	4847	1/4W 2K2 5% T&R RES	4
5991	RED 3MM LED 1V9 20MA W/STOP T&R	4	4583	ROT GRY 18MM 5BIT ENCODER P33	1	4626	1/2W 3K3 5% T&R RES	1
6403	ORN 3MM LED 1V7 5MA	1	4566	_10K B LIN 9MM P25	18	4793	1/4W 4K590 0.1% *** T&R RES	2
5908	GRN 3MM LED 1V9 20MA .4SPCER T&R	1	4567	_20K 5C R/A 9MM P25	16	4982	1/4W 4K7 5%MINI T&R RES	38
6425	BAV21 200V 0A25 DIODE T&R	4	4568	_50K B LIN 9MM P25	12	6128	1/4W 4K99 1%MINI MF T&R RES	33
6825	1N4148 75V 0A45 DIODE T&R	50	3999	_20K 1B LIN 30MM OPN S06	9	4862	1/4W 5K6 5% T&R RES	2
6438	1N4004 400V 1A0 DIODE T&R	10	4529	470R TRIM POT	2	4978	1/4W 6K8 5%MINI T&R RES	4
6434	6A2 200V 6A0 DIODE	4	3819	_5UH COIL 18AWG R000 AIR CORE	2	4801	1/4W 6K98 1% T&R RES	4
6733	BAT85 30V 0A2 DIODE SCHTKYT&R	8	8674	R385 PLASTIC CORNER W TREAD	8	4887	1/4W 7K5 5% T&R RES	2
6439	1N5225B 3V0 0W5 ZENER 5% T&R	1	3467	CLIP 205X032 14-16AWG DISC/INSUL	2	4990	1/4W 8K2 5%MINI T&R RES	1
6440	1N750ARL 4V7 0W5 ZENER 5% T&R	4	3490	CLIP 250X032 14-16AWG DISCO/INSL	2	4762	1/4W 9K760 0.1% *** T&R RES	2
6436	1N753ARL 6V2 0W5 ZENER 5% T&R	1	3494	CLIP 205/187X020 14-16AWG DISCO/INS	1	4800	1/4W 10K0 1% T&R RES	3
6824	1N5246B 16V0 0W5 ZENER 5% T&R	4	3682	250 MALE PCB TAB BULK CARTRIGE	11	4983	1/4W 10K 5%MINI T&R RES	15
6463	1N5251BRL 22V0 0W5 ZENER 5% T&R	1	3498	1/4" JCK PCB MT HORZ	4	6116	1/4W 10K0 1%MINI MF T&R RES	15
6426	1N5254B 27V0 0W5 ZENER 5% T&R	1	3921	1/4" JCK PCB MT VERT STER RT SWT	11	4856	1/4W 12K 5% T&R RES	3
6738	MC7805CT TO220 P 5V0 REG V1	1	3466	RCA DUAL PCB MT VERT GOLD 24MM	3	6125	1/4W 18K 5%MINI T&R RES	18
6856	NJM7815FA TO220 P 15V0 REG IS V1	1	3925	XLR FEML PCB MT VERT 24MM U-CONT	8	6123	1/4W 20K0 1%MINI MF T&R RES	2
6857	NJM7915FA TO220 N 15V0 REG IS V2	1	3451	EYELET SMALL 0.089 OD PLATED	17	4832	1/4W 22K 5% T&R RES	2
5101	BC550C TO92 NPN TRAN T&R TB	2	3412	LOWPROFILE FUSEHOLDER 1/4" H345601	1	6129	1/4W 27K 5%MINI T&R RES	2
5102	BC560C TO92 PNP TRAN T&R TB	1	2486	1.5 AMP SLO-BLO T&R FUSE	2	6122	1/4W 33K 5%MINI T&R RES	33
5103	MPSA06 TO92 NPN TRAN T&R TA	3	2428	6.0 AMP SLO-BLO .25X1.25 FUSE	1	4794	1/4W 37K90 0.1% *** T&R RES	2
5104	MPSA56 TO92 PNP TRAN T&R TA	5	8458	10.5" STRAP HANDLE, PLASTIC COVERS	1	4908	1/4W 45K3 1% T&R RES	2
5109	MPSA43 TO92 NPN TRAN TA	2	8604	10-32 T NUT	2	4927	1/4W 47K 5% .2"U T&R RES	1
5110	MPSA93 TO92 PNP TRAN TA	2	3745	DUAL XSISTOR PBL SPRING PLATE ZN	5	6119	1/4W 47K 5%MINI T&R RES	10
5105	MPSA13 TO92 NPN DARL T&R TA	12	3804	SNAP ON 1.5" INSULATING BUSHING	1	4928	1/4W 56K 5% .2"U T&R RES	4
5122	J109 TO92 NCH JFET T&R TC	2	3803	NYLON SECUR-A-TACH MINI PLASTIC TIE	1	4848	1/4W 62K 5% T&R RES	6
6808	MJE15032 TO220 NPN TRAN TE	2	3810	4" NYLON CABLE TIE	8	4836	1/4W 68K 5% T&R RES	2
6809	MJE15033 TO220 PNP TRAN TE	2	8392	RED STYLE 1 KNOB	9	4760	1/4W 75K 5% T&R RES	2
6915	TIP102 TO220 NPN TRAN DARL TE	1	8393	GREY STYLE 1 KNOB	16	4586	1/4W 82K 5%MINI T&R RES	4
6988	MJL21194 TO3P NPN TRAN TK	2	8394	GREEN STYLE 1 KNOB	9	4929	1/4W 82K 5% .2"U T&R RES	16
6991	MJL21193 TO3P PNP TRAN TK	2	8395	BLUE STYLE 1 KNOB	10	4942	1/4W 100K 5% .2"U T&R RES	2
6798	MC4741CP IC QUAD OP AMP	1	8397	GREY STYLE 2 KNOB	1	6120	1/4W 100K 5%MINI T&R RES	1
6804	MC33079P IC QUAD OP AMP	1	8661	BUTTON KNOB FLAT GREY	1	4851	1/4W 120K 5% T&R RES	2
6840	MC33078P IC DUAL OP AMP	6	3484	8' 3/18 SJT AC LINE CORD 250WH187BL	1	4796	1/4W 180K 5%MINI T&R RES	1
6882	TL072CP IC FET DUAL OP AMP	7	3834	HEYCO #1214 STRAIN RELIEF	1	4843	1/4W 470K 5% T&R RES	1
6889	TLO74CN IC QUAD O/A T.I ONLY	6	8910	YORKVILLE PRODUCT MANUAL	1	6127	1/4W 470K 5%MINI T&R RES	2
6745	LM13600N IC XCONDUCTANCE AMP	1	8900	YORKVILLE WARRANTY CARD 2-YR UNLTD.	1	4948	1/4W 1M 5% .2"U T&R RES	5
6943	74HC374N IC OCTAL DTYPE LATCH	1	3638	12 CIR CABLE HOLDER .098	1	4845	1/4W 2M2 5% T&R RES	1
6982	27C512 PROM IC YORKVILLE 32 PROGRA	1	8800	6-32 KEPS NUT ZINC	3	4888	1/4W 4M7 5% T&R RES	1
6992	1365-102 IC DIGITAL REVERB ASIC	1	8788	1/4-20 KEPS NUT ZINC	1	4951	1/4W 4M7 5% .2"U T&R RES	8
6993	1250-101 IC SRAM 32KX8	1	3866	ELASTOMER PAD TSIL 3 1.2X6.0	2	4751	1/4W 22M 5% T&R RES	2
6477	100K 5% 1/4W THERMISTOR T&R 0.2	2	3580	12 CIR WAFER W/LCK VT 0.1"	1	3740	15" 12C-26AWG RIB 1 W/LCK HDR 098	1
5200	_10P 200V 5%CAP T&R RAD CER.2"NPO	2	3818	EMI SUPPRESSION FERRITE BEAD T&R	3	9250	.040" 48X96 5052H32 ALUM VINYL LAMI	2
5405	_27P 200V 5%CAP T&R RAD CER.2"NPO	3	4597	22AWG STRAN TC WIR JMP	42	9564	HEATSINK (RIDGE) AP812/818/DJM806	1
5203	_47P 100V 2%CAP T&R RAD CER.2"NPO	7	4599	22AWG SOLID SC WIR T&R JMP	85	9811	3/4"X4"X8" SPRUCE STAN. SHEATING	3.84
5199	100P 100V 2%CAP T&R RAD CER.2"NPO	3	5299	24AWG SOLID SC WIR RAD JMP	4	8865	4-40 X 5/16 PAN PH MS JS500	21
5196	150P 100V 2%CAP T&R RAD CER.2"NPO	4	4719	5.0W 0R18 5% BLK RES	4	8741	4-40 X 1/2 PAN PH MS JS500	1
5816	680P 100V 5%CAP T&R RAD CER.2"NPO	1	4703	2.0W 2R 5% T&R RES	4	8842	#4 X 5/16 PAN QUAD TYPE A JS500 BLK	19
5206	_1N 400V 5%CAP T&R RAD .2"FLM	1	4666	1/2W 4R7 5% T&R RES	4	8801	6-32 X 3/8 PAN PH TAPTITE JS500	9
5273	_1N5 200V 5%CAP T&R RAD CER.2"NPO	29	4605	1/8W 10R 5% T&R RES	3	8830	6-32 X 7/8 PAN PH MS JS500	2
5274	_2N2 200V 5%CAP T&R RAD CER.2"NPO	6	4686	1.0W 10R 5%FLAME PROOF T&R RES	2	8999	8-32 X 5/8 PAN PH TAPTITE JS500	9
5275	_3N3 100V 5%CAP T&R RAD .2"FLM	1	4930	1/4W 10R 5% .2"U T&R RES	4	8785	#8 X 3/4 OVAL PH TYPE A JS500 BLACK	32
5209	_4N7 250V 5%CAP T&R RAD .2"FLM	2	4709	5.0W 22R 5% BLK RES	1	8815	8-32 X 3/4 PAN PH TAPTITE JS500	2
6451	_4N7 250V 20%CAP BLK 'Y' 10MM AC	1	4995	1/4W 33R2 1%FLAME PROOF T&R RES	6	8804	8-32X1.25 PAN PH MS ZINC CLEAR	2
5204	_10N 100V 10%CAP T&R RAD .2"FLM	14	4957	1/4W 47R 5% .2"U T&R RES	16	8781	#10 X 7/8 FLAT PHIL TYPE A JS500BLK	2
5300	_10N 50V 10%CAP T&R BEAD X7R	1	4608	1/8W 75R 2%FLAME PROOF T&R RES	6	8821	10-16 X 1 3/32 TYPE B HEX W/SLOT BL	5
5205	_15N 100V 10%CAP T&R RAD .2"FLM	2	4852	1/4W 100R 5% T&R RES	9	8843	10-32 X 1 1/8 FLAT PH MS JS500	2
5207	_18N 100V 5%CAP T&R RAD .2"FLM	1	4593	1/8W 150R 2%FLAME PROOF T&R RES	6	8773	10-32 X 1 1/4 FN QD TT JS500 1"THRD	9
5210	_22N 100V 10%CAP T&R RAD .2"FLM	6	4857	1/4W 220R 5% T&R RES	11	8765	1/4-20 X 2 1/2 HEX HD MS JS500 BLK	1
5222	_33N 100V 10%CAP T&R RAD .2"FLM	2	4770	1/4W 249R 1% T&R RES	16	8607	3/16 NYLON SPACER OD 1/8 X ID .063	8
5224	_47N 100V 10%CAP T&R RAD .2"FLM	4	4780	1/8W 274R 1%FLAME PROOF T&R RES	4	8866	#6 NYLON SPACER OD.250XID.140X.187	1
5226	_68N 100V 5%CAP T&R RAD .2"FLM	1	5010	1/4W 330RX9 5% 10PIN SIP RES	1	3744	SNAP IN .375 SPACER RICHO	1
5228	100N 100V 5%CAP T&R RAD .2"FLM	33	4950	1/4W 390R 5% .2"U T&R RES	4	3739	CUSTOM 4 LED SPACER	1
5314	100N 50V 10%CAP T&R BEAD X7R	19	4821	1/4W 470R 5% T&R RES	3	3743	SNAP ON 0.5" SPACER RICHO	4
5230	180N 63V 5%CAP T&R RAD .2"FLM	1	4933	1/4W 470R 5% .2"U T&R RES	3	3859	1/2 PLASTIC HEX SPACER #4	10
5233	330N 63V 5%CAP T&R RAD .2"FLM	1	4799	1/4W 562R 1% T&R RES	16	3858	3/4 PLASTIC HEX SPACER #4	1
5240	680N 63V 10%CAP T&R RAD .2"FLM	1	4891	1/4W 620R 5% T&R RES	2	8657	6-32 X 3/8" HEX SPACER ALUMINUM	2
5266	680N 250V 20%CAP BLK 'X2' 30MM AC	1	4922	1/4W 620R 5% .2"U T&R RES	7	8482	3/8 1D FLAT WASHER	11
5255	_1U 63V 20%CAP T&R RAD .2"EL	2	4781	1/8W 681R 1%FLAME PROOF T&R RES	1	8818	3/4 OD X 5/16 ID X .08 THICK WASHER	1
5256	_1U 63V 5%CAP T&R RAD .2"FLM	2	4923	1/4W 680R 5% .2"U T&R RES	1	8817	#10 FLAT WASHER FOR 3/16" BOLT	9
5257	_2U2 63V 20%CAP T&R RAD .2"EL	4	4924	1/4W 750R 5% .2"U T&R RES	3	3436	DPDPT PUSH SW PCMT H BREAK B4 MAKE	1
5259	_4U7 63V 20%CAP T&R RAD .2"EL	3	4925	1/4W 820R 5% .2"U T&R RES	3	3698	SPST ROKR SW QUIK 180" AC PWR BL/BL	1
5282	_10U 16V 20%CAP T&R 5X7MM .2"NP	12	4892	1/4W 910R 5% T&R RES	2	5635	1000U 35V 20%CAP RADIAL ELECT BUL	1
5260	_22U 50V 20%CAP T&R RAD .2"EL	1	4823	1/4W 1K 5% T&R RES	4	8581	CUSTOM PBL TRANSISTOR SPACER	5

M1109.PCB_POT LIST				
#	REF	FUNCTION	PART#	AS OF
1	P13A-H	GAIN	#4567	#8392
2	P14A-H	MONITOR	#4567	#8394
3	P12A-H	BASS	#4568	#8393
4	P11A-H	TREBLE	#4566	#8393
5	P15A-H	EFFECTS	#4566	#8395
6	P7	MAIN	#4566	#8392
7	P8	MONITOR	#4566	#8394
8	P9	EFX-MAIN	#4568	#8395
9	P10	EFX-MONITOR	#4568	#8395
10	P11	EFFECTS	#4583	#8397
11	P13-P21	EQ	#3999	-
12	D		N	K
13	D		N	K
14	D		N	K
15	D		N	K
16	D		N	K
17	D		N	K
18	D		N	K
19	D		N	K
20	D		N	K

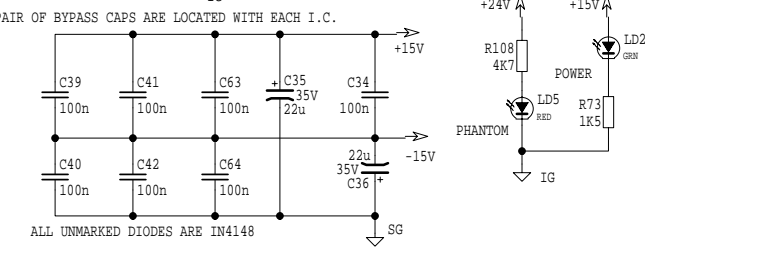
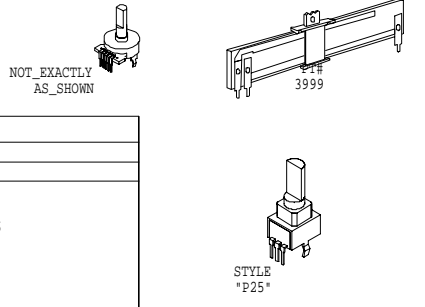
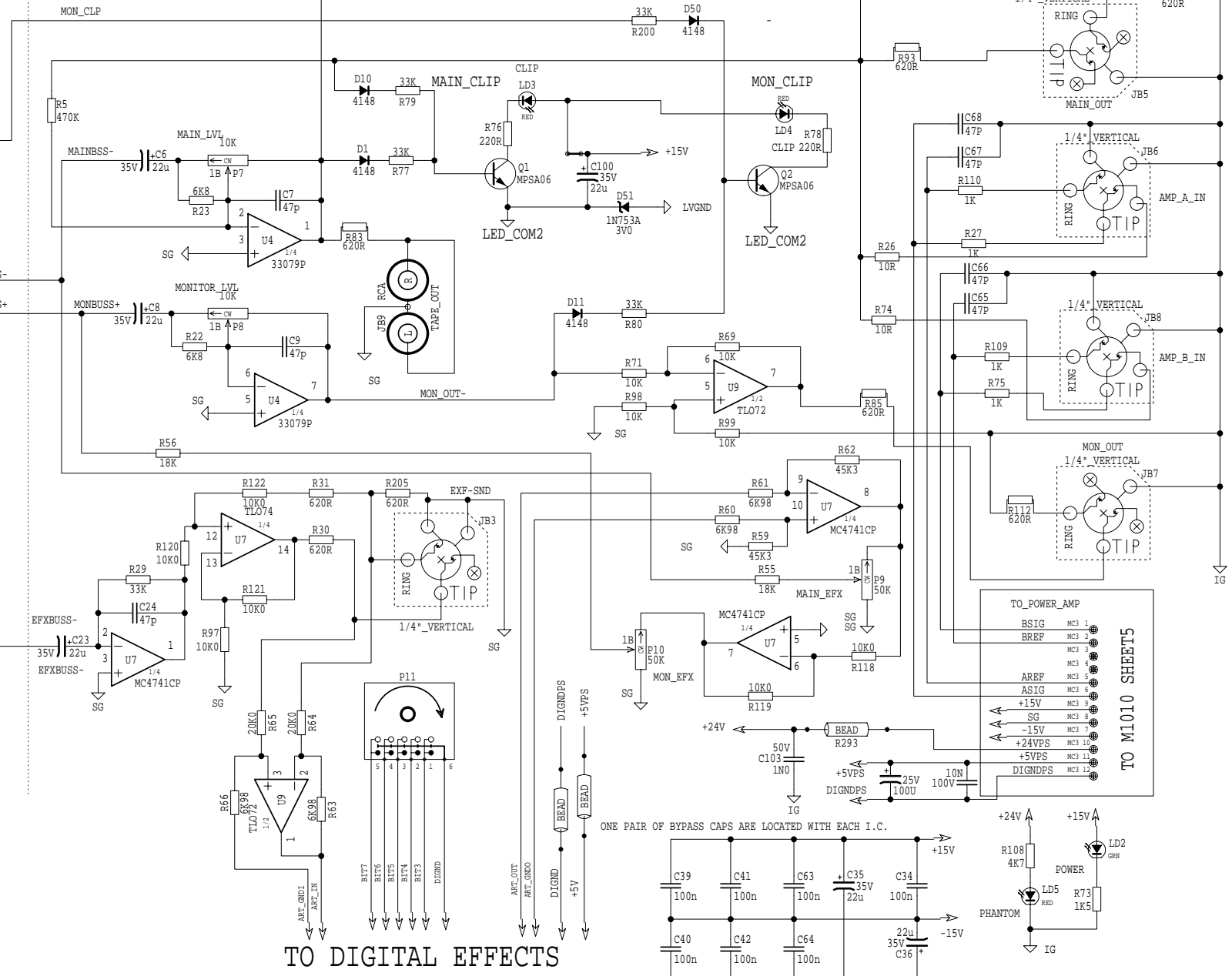
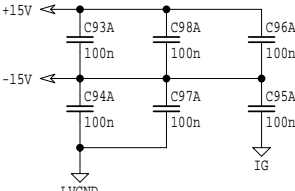
NOTE - REFERENCE DESIGNATORS MOST PARTS IN CHANNEL 1 WITH SUFFIX 'A' WILL EXIST IN CHANNELS 2-6 WITH SUFFIXES 'B'-'F'. ANY PARTS WHICH ARE SHARED BY ADJACENT CHANNELS WILL HAVE THE SUFFIX BELONGING TO THE LOWER NUMBERED CHANNEL. I.E. IF U12A IS SHARED BY CHANNELS '1' AND '2', THERE WILL NOT BE A U12B.



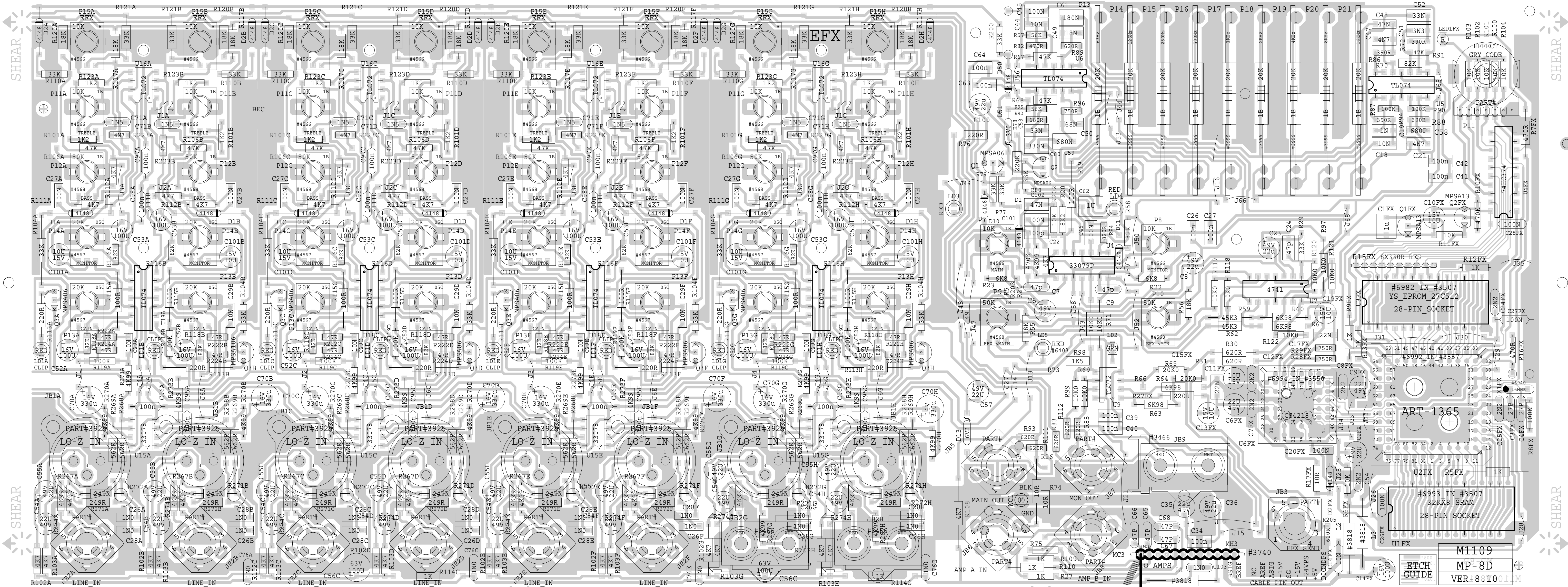
INPUTS

M1109.SCH_DATABASE_HISTORY			MODEL(S) :-		
#	DATE	DESCRIPTION OF CHANGE	#	DATE	DESCRIPTION OF CHANGE
1	96/09/04	1.00 NEW	1	JUN/10/02	1.70 PCH#6309_C26A-G,C28A-G,C76A-G
2	96/09/17	1.10 CUT GAIN TO LIMIT TO 6V	2	JUN/27/02	1.80 C103 IN5-1N0
3	96/09/26	1.20 ADDED R205-E20R TO EFX_SND JACK	3	OCT/27/03	1.90 PCH#642_R119A_1K->100K
4	97/01/09	1.11 CHG D51_6V2->3V0 DEL R115_R206	4		2.00 PCH#649_Q1,Q2,Q3A_MPSA13->MPSA06
5	97/01/09	1.20 CHANGES FOR NOISE REDUCTION_PER_DX	5		
6	MAR/4/97	1.30 PCH#5318_ADD_1K_(R119A)	6		
7	APR/09/98	1.40 PCH#583_U4_4741->33079_U5,U6,U18A	7		
8			8		
9	JAN/2000	1.50 ADD_POT_LIST	9		
10	OCT/24/00	1.60 PCH#_C70A_330u-25V->330u-16V	10		

YORKVILLE	DATE: OCT/27/2003	MODELS: BOX-MIXER MP-8D	SCH ISSUE: 1.90
	NAME: M1009.SCH	PCBH#: M1109	TITLE: MIXER/EQ/MASTER



SOLDERSIDE M1109-8.10



BLANK SIZE=18.375"X7.750"

PRODUCTION NOTES

AUTO-INSERTION BOARD-ASSEMBLY

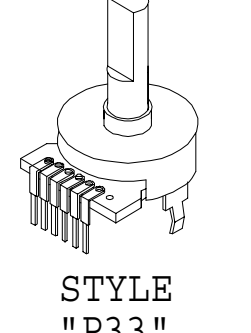
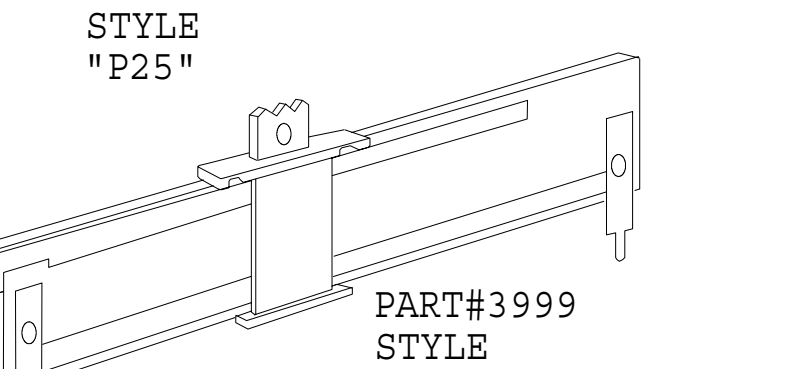
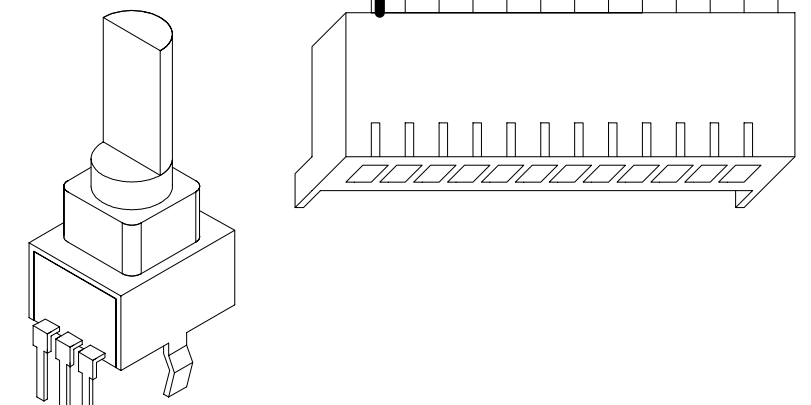
1. INSTALL U1FX,U2FX,U4FX,U6FX IN SOCKETS AFTER WAVE SOLDERING. USE A GROUND STRAP!!!
2. IF THE 'X1FX' CRYSTAL IS THE TALL (1/2") PACKAGE LEAN IT OVER TOWARD THE ART CHIP.
3. BEND THE LEADS OF 1/4" JACK JB2F ONLY.
4. INSTALL EQ POT JIG BEFORE WAVE SOLDERING AND LEAVE IN PLACE FOR WIRING.
5. THE HOLE BETWEEN 'P2F' AND 'P2G' MAY BE USED TO SUPPORT THE BOARD WHILE WAVE SOLDERING.
6. SOLDER WITH THE JIG FOR 9MM POTS AND THE JACKS.
7. PUT A NUT ON JB2F TO HOLD THE JIG DOWN FOR SOLDERING
8. SHEAR LEFT AND RIGHT SIDES BEFORE THE TOP AND BOTTOM SO THE BOARD WILL FIT INTO THE SHEAR.
9. HEIGHT OF C70A-H 330u 16V MUST NOT EXCEED 8 CM

M1109.PCB DATABASE HISTORY

#	DATE	VER#	DESCRIPTION OF CHANGE
1	96/09/17	1.0P0	FIRST PROTO
2	96/09/26	1.0P1	C16FX,L2,L3 TOO CLOSE;C62-->POLYCAP
3			C62 TOO CLOSE TO POT AND R19
4			ALL CAPS IN POT AREA SHORT VERSIONS
5			USE OVAL SYMBOL FOR C9C7
6			ALL 2N2 CAPS -->100V #5835
7			R20I,R78,R113A,C,E,G-->1/2"
8			FIX #3818 SYMBOL
9			ADD 620R R205 TO FXSEND_RING_SWITCH
10	97/01/30	2.00	FLIPPED RCA JACKS
11	FEB/12/97		PC#5310 C1FX 680N-->1u
12	MAR/4/97	3.00	PC#5295 O2FX MPSA06->MPSA13
13			PC#5307 R55,R56,R120A-H,R117A-H
14			10K-->18K PC#5310 C1FX 680N-->1u
15			PC#5318 1K ADDED FROM + C70A-F->GND
16			PC#5327 O1FX MPSA06->MPSA13
17	APR/22/97	4.00	PC#XXXX ADD BYPASS CAPS U1FX,U3FX,U4FX
18			
19	APR/09/98	4.01	PC#5683 U4 4741->33079P U6,U5,U18A,U18C,U18E,U18G 4741->TL074
20			
21	MAY/10/99	4.20	PC#5988 XLR #3454->#3925
22	AUG/24/99	4.21	PC#6036 UPDATE LD2,LED1FX_TO_AUTO-I
23	NOV/01/99	5.00	PC#6136 MOVE R5FX

M1109.PCB POT LIST

MODEL (S) :-	MP8D	FUNCTION	PART#	KNOB	AS OF
P13A-H	GAIN	#4567	#8392	JAN/2000	
P14A-H	MONITOR	#4567	#8394	N	
P12A-H	BASS	#4568	#8393	N	
P11A-H	TREBLE	#4566	#8393	N	
P15A-H	EFFECTS	#4566	#8395	N	
P7	MAIN	#4566	#8392	N	
P9	EFX-MAIN	#4568	#8395	N	
P8	MONITOR	#4566	#8394	N	
P10	EFX-MONITOR	#4568	#8395	N	
P11	EFFECTS	#4568	#8397	N	
P13-P21	EQ	#3999	-	N	
	F		K	N	

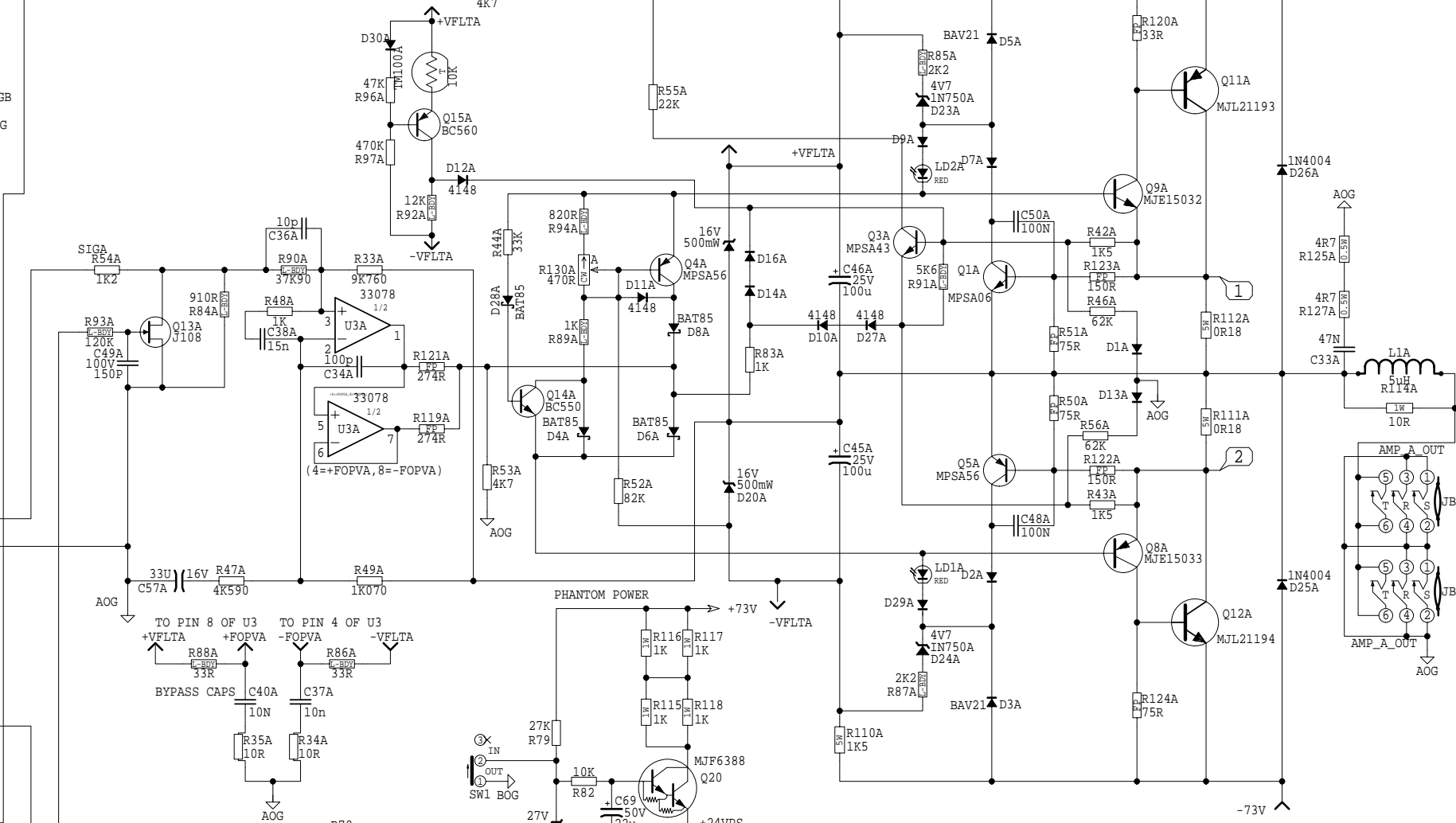
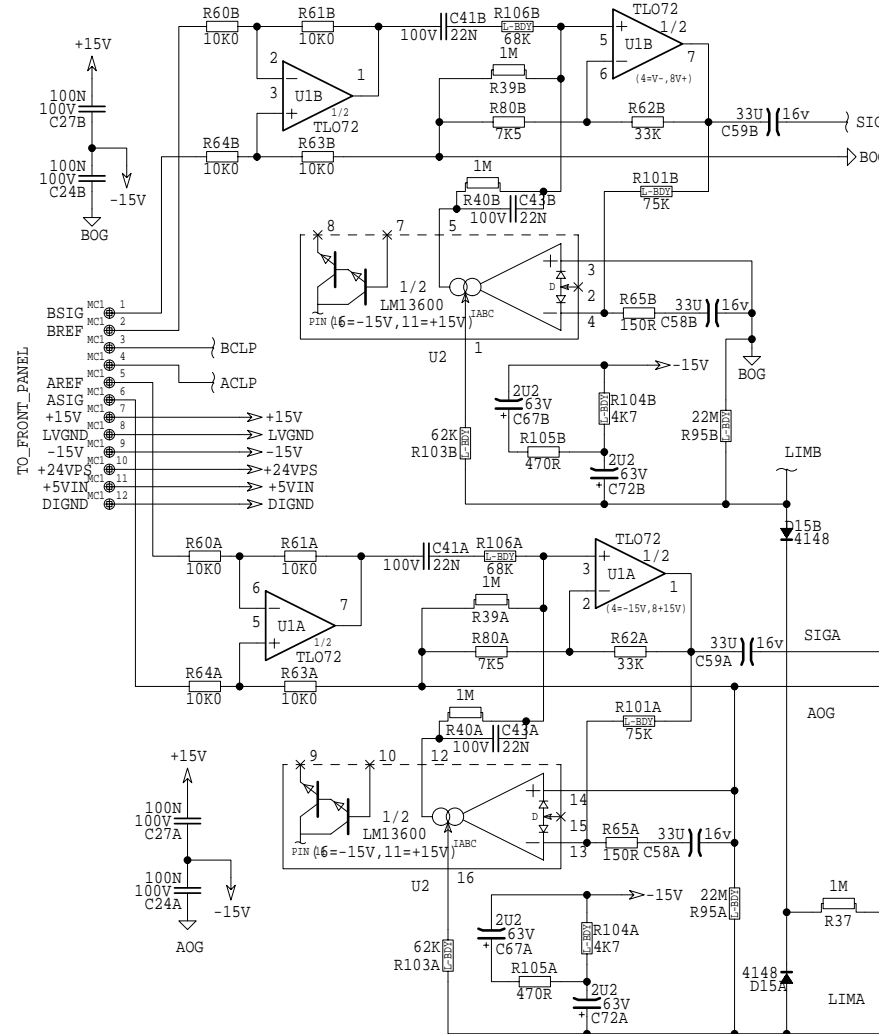


M1109
MP-8D
VER-8.10

ETCH GUIDE

POWER AMP

POWER SUPPLY AND LIMITERS



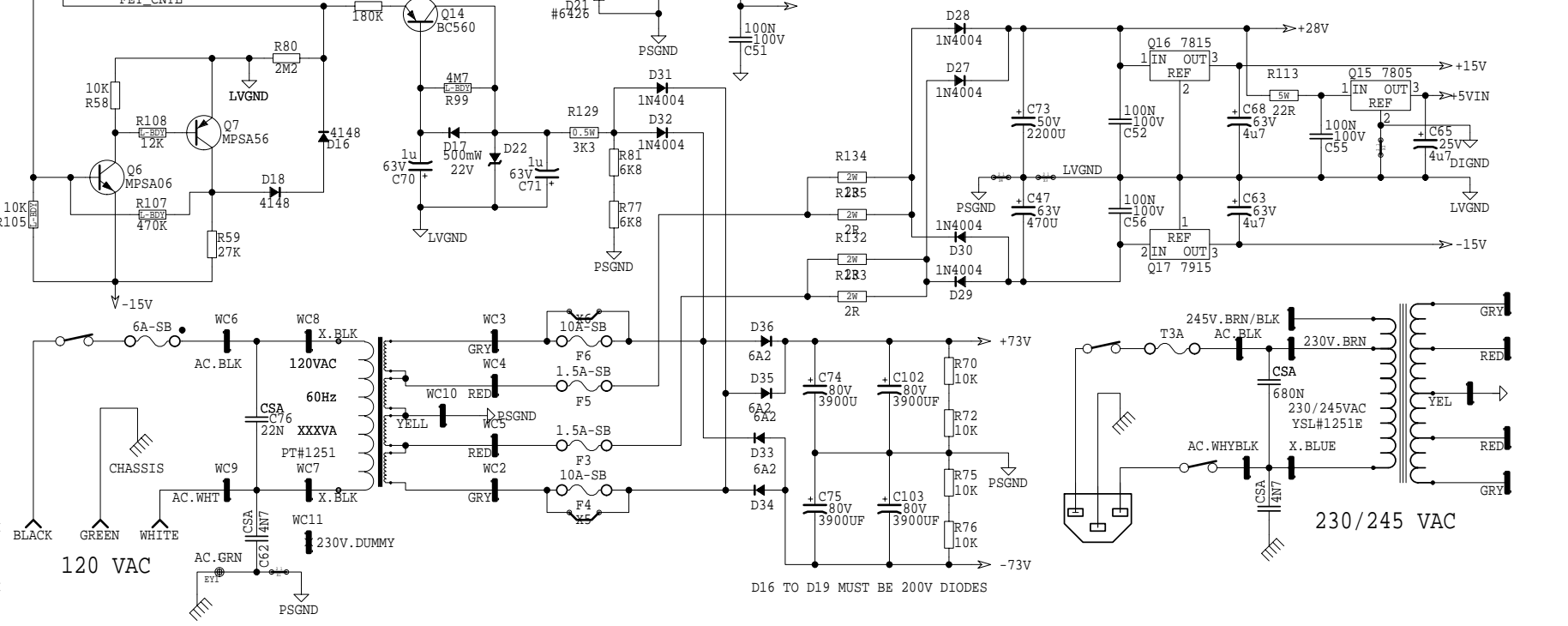
M1110.SCH DATABASE HISTORY

#	DATE	VER#	DESCRIPTION OF CHANGE
1	FEB/24/97	1.10	PC#5317 ADD R80 2M2
2	SEP/10/97	1.20	PC#5228 R105 8K2->10K
3	FEB/02/99	1.30	PC#5456 ADD R105A/B 470R
4	MAR/12/99	1.40	XMR WIRE COLOURS UPDATED
5			PC#5890 TMI00 100K->10K_ADD_R96A
6			R97A, D30A, Q15A
7			
8			
9			
10			

M1110.SCH DATABASE HISTORY

#	DATE	VER#	DESCRIPTION OF CHANGE
1	AUG/25/97	1.10	PC#5454 U3A TL072->MC33078
2	SEP/10/97	1.20	PC#5456 ADD D29A AT LD1A
3	SEP/29/97	1.30	PC#5456 ADD D29A AT LD1A
4			ZENER->4148 ADD 4148X2 D14A/D16A
5	APR/09/98	1.40	PC#5682_U3A_TL072->33078
6			
7			
8			
9			
10			

YORKVILLE	DATE: FEB/02/99	MODELS: MP-10DS/8D	SHEET 6 OF 7	SCH ISSUE: 1.30
YORKVILLE	NAME: M1110-PS	PCB#&VER: M1116	TITLE: LIMITER_&_PS	
YORKVILLE	DATE: APR/09/98	MODELS: MP-10DS, MP-8D	SHEET 7 OF 7	SCH ISSUE: 1.40
YORKVILLE	NAME: M1110-PA	PCB#&VER: M1110	TITLE: POWER_AMP	

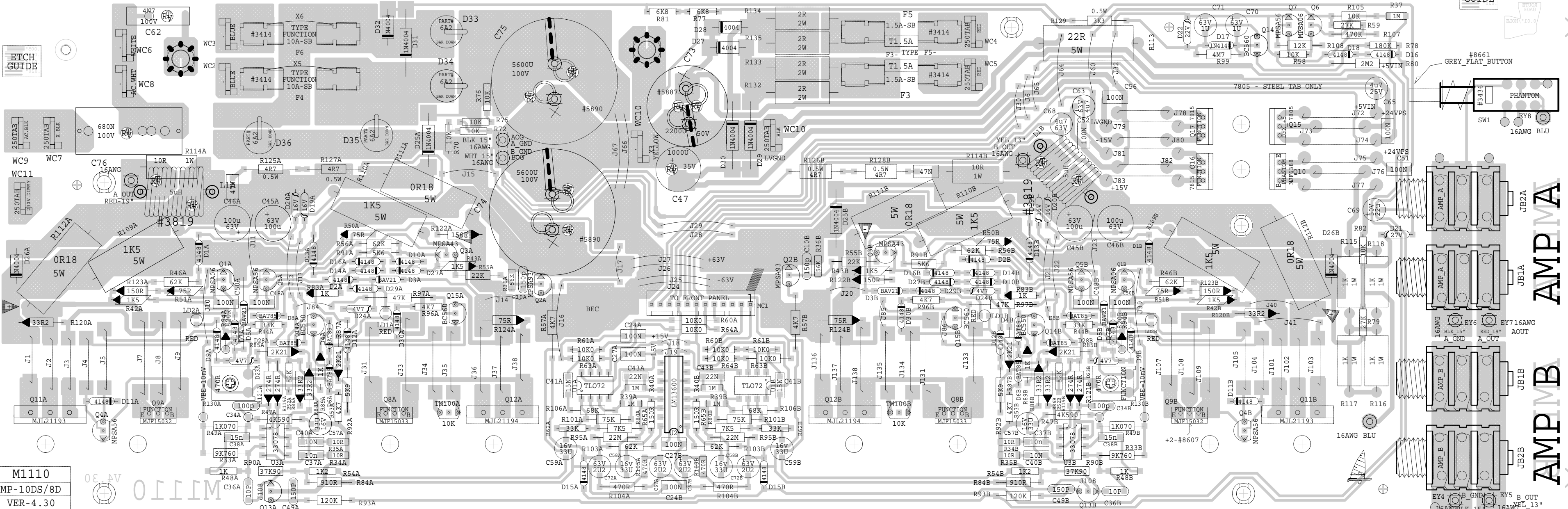


120 VAC

230/245 VAC

D16 TO D19 MUST BE 200V DIODES

2oz. COPPER



M1110
MP-10DS/8D
VER-4.30

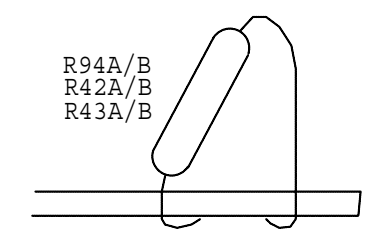
ASSEMBLY M1110-4.30
PCB MECH M1110-4.30

BLANK SIZE=18.500"X6.625"
"253.9X"002.815"ENR-16.625"

M1110.PCB DATABASE HISTORY		#	DATE	VER#	DESCRIPTION OF CHANGE
MODEL(S) :- MP-8D,MP-10DS		24		V	N
1	96/12/17	1.0P2		V	N
2	97/01/25	1.0P3		V	N
3				V	N
4	FEB/24/97	2.00		V	N
5				V	N
6				V	N
7				V	N
8	AUG/25/97	2.10		V	N
9	SEP/09/97	3.00		V	N
10	SEP/29/97	3.00		V	N
11				V	N
12				V	N
13	APR/09/98	3.01		V	N
14	JUN/16/98	3.20		V	N
15	MAR/22/99	4.00		V	N
16				V	N
17	MAR/25/99			V	N
18	MAR/26/01	4.10		V	N
19				V	N
20	DEC/06/01	4.20		V	N
21				V	N
22	JUN/25/02	4.30		V	N
23				V	N

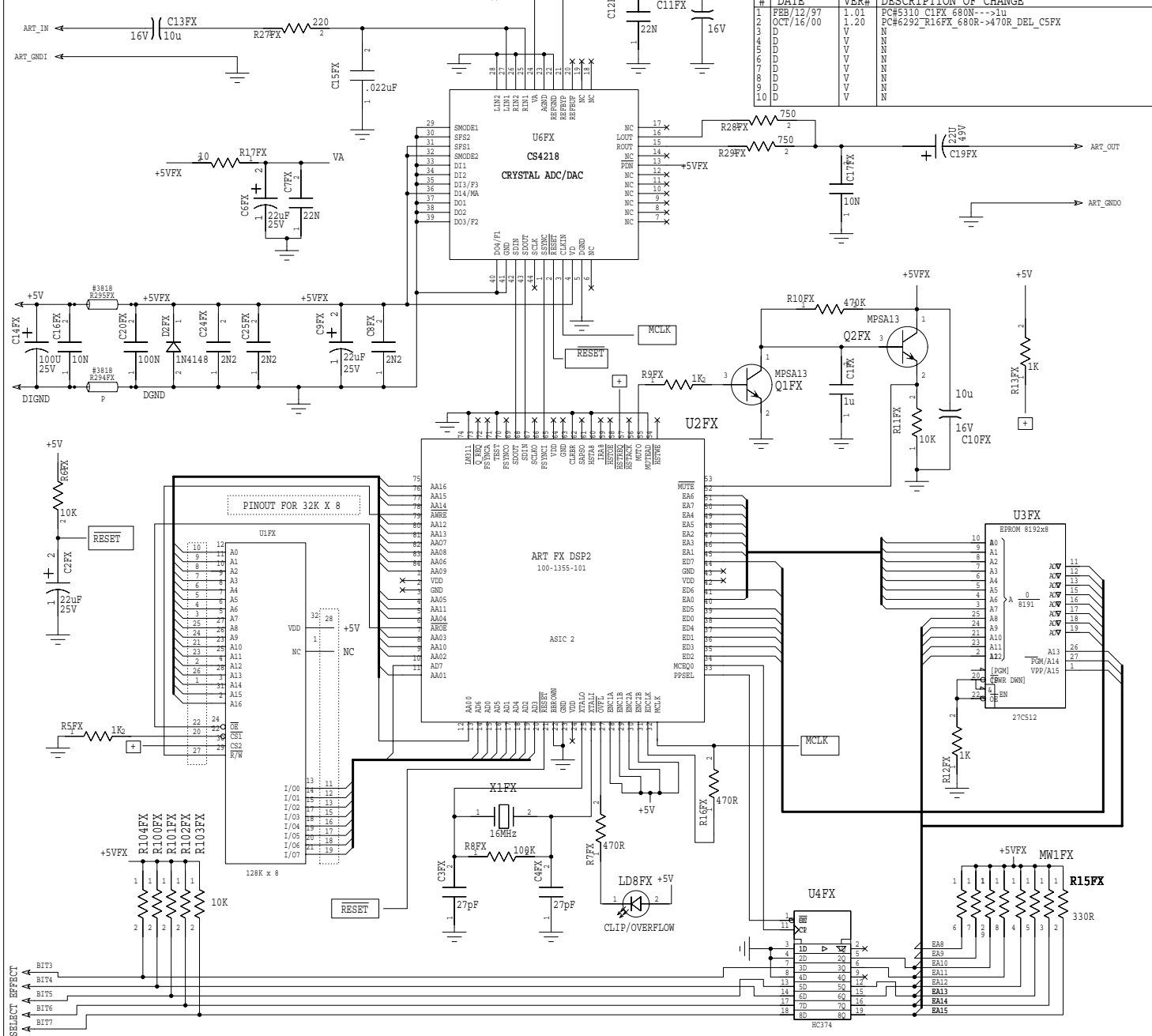
PRODUCTION NOTES

- AUTO-INSERTION
- BOARD-ASSEMBLY
- 1.MOUNT MJE15032 AND '33 TRANSISTORS WITH #8607 SPACERS ON TWO LEADS Q8A,Q8B,Q9A,Q9B
- 2.Q15 7805 REGULATOR MUST BE STEEL TAB VERSION ONLY.
- 3.NO FUSE HOLDERS SHOULD BE STUFFED. F3&5 ARE REPLACED WITH AUTO-INSERT FUSES, F4&6 WITH JUMPERS.
- 4 R94A/B,R42A/B,R43A/B HAND INSERTED AS SHOWN



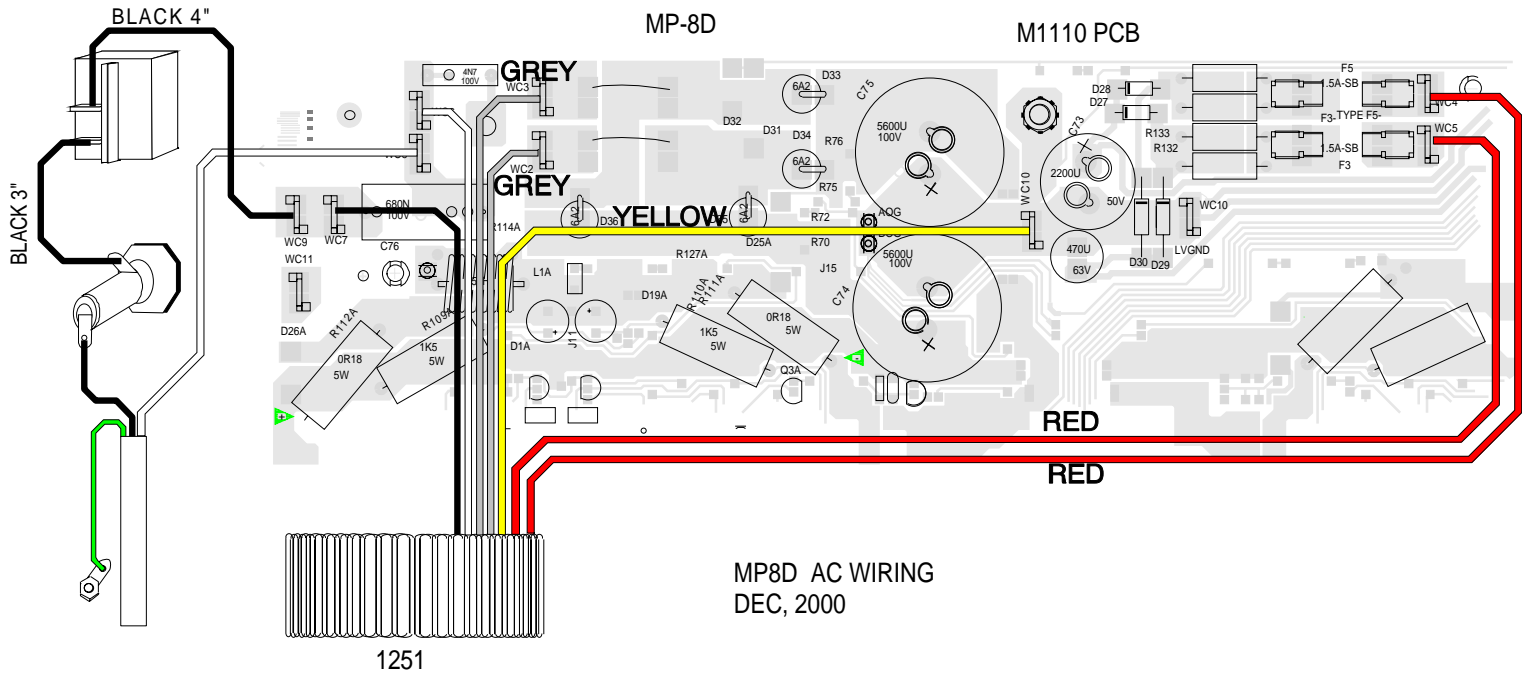
M1109.SCH DATABASE HISTORY

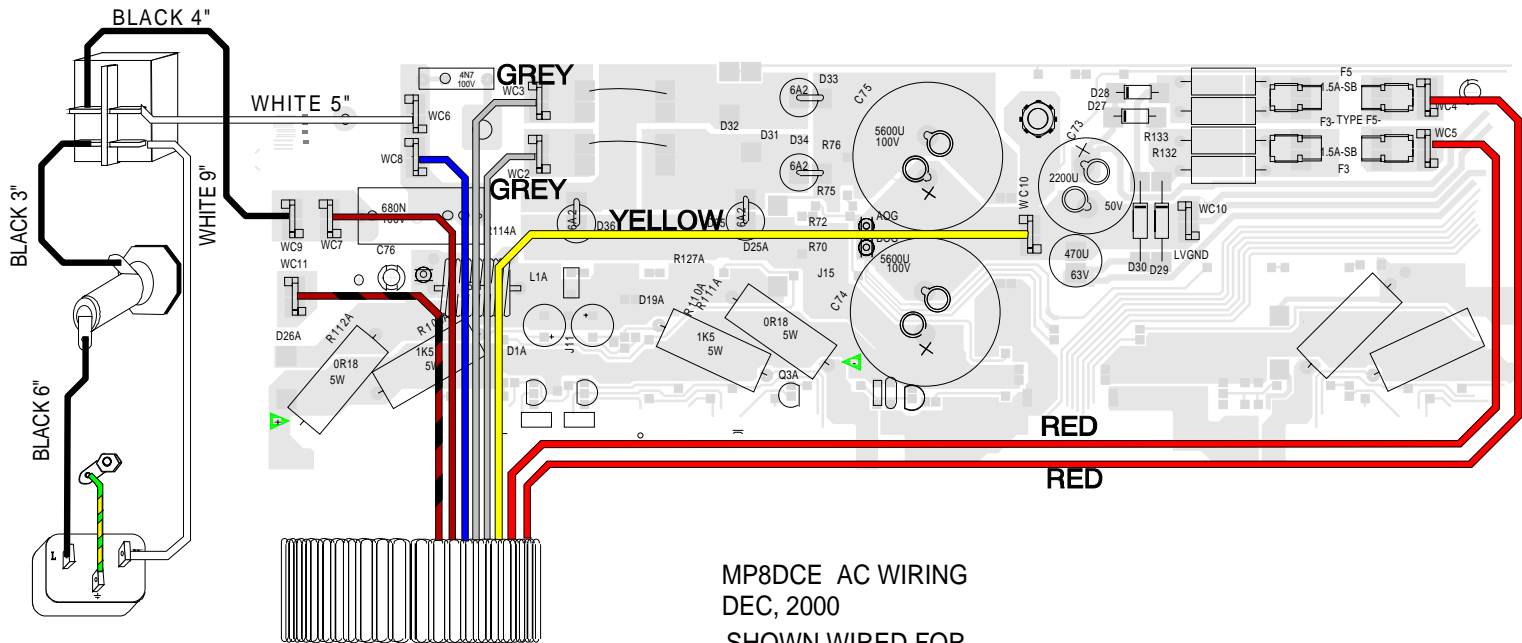
MODEL(S) :-	MP-8D		
#	DATE	VER#	DESCRIPTION OF CHANGE
1	FEB/12/97	1.01	PC#5310 C1FX 680N-->1u
2	OCT/16/00	1.20	PC#6292_R16FX_680R->470R_DEL_C5FX
3			
4			
5			
6			
7			
8			
9			
10			



DIGITAL EFFECTS

REVISED BY	DATE	DESCRIPTION
R. NEATROUR	2-16-94	
A. CHILCO	1996/10/17	
ART OEM REVERSE BOARD		
REVISED BY	DATE	DESCRIPTION
A		400-4001-100
12-1-94		
PROJECT	M1092-FX	SHEET 4 OF 4





MP8DCE AC WIRING
 DEC, 2000
 SHOWN WIRED FOR
 230V

