



SERVICE MANUAL

NX84 / NX88

WEB ACCESS: <http://www.yorkville.com>

WORLD HEADQUARTERS CANADA

Yorkville Sound
550 Granite Court
Pickering, Ontario
L1W-3Y8 CANADA

Voice: (905) 837-8481
Fax: (905) 837-8746

U.S.A.

Yorkville Sound Inc.
4625 Witmer Industrial Estate
Niagara Falls, New York
14305 USA

Voice: (716) 297-2920
Fax: (716) 297-3689



Quality and Innovation Since 1963
Printed in Canada

IMPORTANT SAFETY INSTRUCTIONS



INSTRUCTIONS PERTAINING TO A RISK OF FIRE, ELECTRIC SHOCK, OR INJURY TO PERSONS.

INSTRUCTIONS RELATIVES AU RISQUE DE FEU, CHOC ÉLECTRIQUE, OU BLESSURES AUX PERSONNES.

CAUTION:

TO REDUCE THE RISK OF ELECTRIC SHOCK, DO NOT REMOVE COVER (OR BACK). NO USER SERVICEABLE PARTS INSIDE.

REFER SERVICING TO QUALIFIED SERVICE PERSONNEL.

AVIS:

AFIN DE REDUIRE LES RISQUE DE CHOC ELECTRIQUE, N'ENLEVEZ PAS LE COUVERT (OU LE PANNEAU ARRIERE). NE CONTIENT AUCUNE PIECE REPARABLE PAR L'UTILISATEUR.

CONSULTEZ UN TECHNICIEN QUALIFIE POUR L'ENTRETIEN.

Read Instructions:

The *Owner's Manual* should be read and understood before operation of your unit. Please, save these instructions for future reference.

Packaging:

Keep the box and packaging materials, in case the unit needs to be returned for service.

Warning:

When using electric products, basic precautions should always be followed, including the following:

Power Sources:

Your unit should be connected to a power source only of the voltage specified in the owners manual or as marked on the unit. This unit has a polarized plug. Do not use with an extension cord or receptacle unless the plug can be fully inserted. Precautions should be taken so that the grounding scheme on the unit is not defeated.

Hazards:

Do not place this product on an unstable cart, stand, tripod, bracket or table. The product may fall, causing serious personal injury and serious damage to the product. Use only with cart, stand, tripod, bracket, or table recommended by the manufacturer or sold with the product. Follow the manufacturer's instructions when installing the product and use mounting accessories recommended by the manufacturer.

The apparatus should not be exposed to dripping or splashing water; no objects filled with liquids should be placed on the apparatus.

Terminals marked with the "lightning bolt" are hazardous live; the external wiring connected to these terminals require installation by an instructed person or the use of ready made leads or cords.

No naked flame sources, such as lighted candles, should be placed on the apparatus.

Power Cord:

The AC supply cord should be routed so that it is unlikely that it will be damaged. If the AC supply cord is damaged **DO NOT OPERATE THE UNIT.**

Service:

The unit should be serviced only by qualified service personnel.

Veillez lire le manuel:

Il contient des informations qui devraient étre comprises avant l'opération de votre appareil. Conservez S.V.P. ces instructions pour consultations ultérieures

Emballage:

Conservez la boîte au cas ou l'appareil devait étre retourner pour réparation.

Attention:

Lors de l'utilisation de produits électrique, assurez-vous d'adhérer à des précautions de bases incluant celle qui suivent:

Alimentation:

L'appareil ne doit étre branché qu'à une source d'alimentation correspondant au voltage spécifié dans le manuel ou tel qu'indiqué sur l'appareil. Cet appareil est équipé d'une prise d'alimentation polarisée. Ne pas utiliser cet appareil avec un cordon de raccordement à moins qu'il soit possible d'insérer complètement les trois lames. Des précautions doivent étre prises afin d'éviter que le système de mise à la terre de l'appareil ne soit désengagé.

Risque:

Ne pas placer cet appareil sur un chariot, un support, un trépied ou une table instables. L'appareil pourrait tomber et blesser quelqu'un ou subir des dommages importants. Utiliser seulement un chariot, un support, un trépied ou une table recommandés par le fabricant ou vendus avec le produit. Suivre les instructions du fabricant pour installer l'appareil et utiliser les accessoires recommandés par le fabricant.

Il convient de ne pas placer sur l'appareil de sources de flammes nues, telles que des bougies allumées.

L'appareil ne doit pas étre exposé à des égouttements d'eau ou des éclaboussures et qu'aucun objet rempli de liquide tel que des vases ne doit étre placé sur l'appareil.

Les dispositifs marqués d'une symbole "d'éclair" sont des parties dangereuses au toucher et que les câblages extérieurs connectés à ces dispositifs de connection extérieure doivent étre effectués par un opérateur formé ou en utilisant des cordons déjà préparés.

Cordon d'alimentation:

Évitez d'endommager le cordon d'alimentation. **N'UTILISEZ PAS L'APPAREIL** si le cordon d'alimentation est endommagé.

Service:

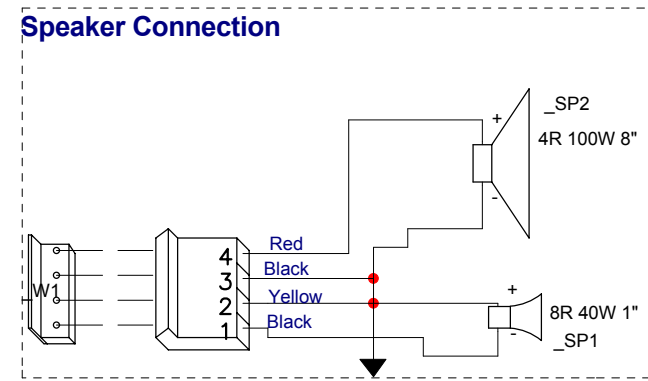
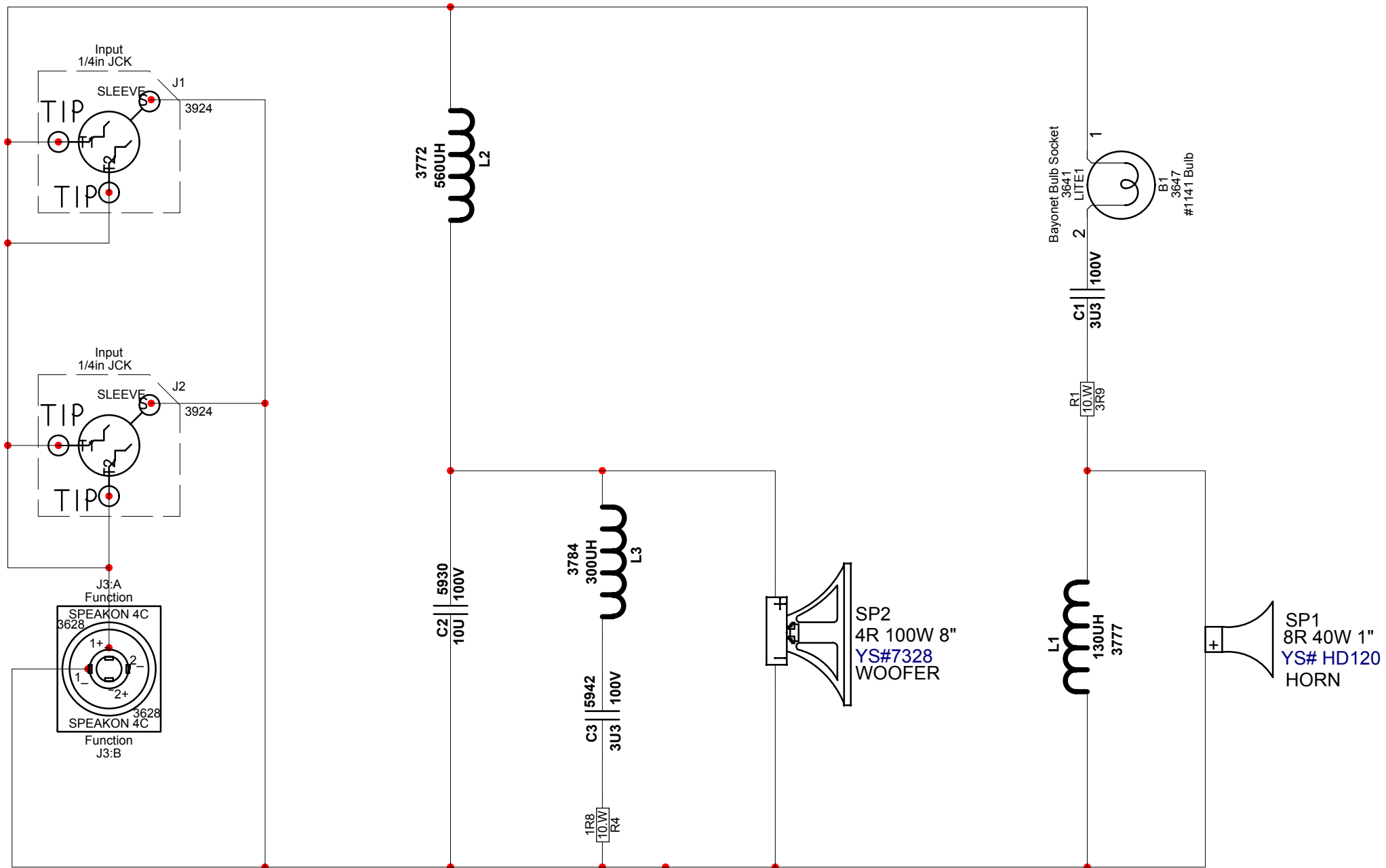
Consultez un technicien qualifié pour l'entretien de votre appareil.

NX84

NX88

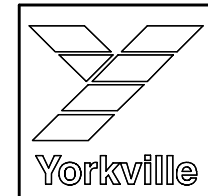
YS No.	Description	Qty.
5942	_3U3 100V 20%CAP BLK RAD POLY FLM	2
5930	_10U 100V 10%CAP BLK RAD POLY FLM	1
711	30 X 50 X 1.5MIL PLASTIC BAG	1
3777	_130UH COIL 22AWG R000 BOBBIN	1
3784	_300UH COIL 22AWG R000 BOBBIN	1
3772	_560UH COIL 18AWG R348 AIR CORE	1
8487	ADAPTOR,SPEAKER STAND,PLASTIC,LARGE	1
8522	RUBBER BUMPER WITH WASHER -SMALL-	3
3489	CLIP 250X032 18-22AWG DISCO/INSL	2
3491	CLIP 205/187X020 18-22AWG DISCO/INS	2
3924	1/4" JCK PCB MT VERT 2XTIP HICURNT	2
3628	SPKON 4C PCB MT VERT 250TAB GRY #4	1
8517	SMALL BLACK XOVERDISH PLASTIC CNFG3	1
3451	EYELET SMALL 0.089 OD PLATED	7
8540	HANDLE BAR, ZINC DIECAST	1
DE-10	8R 40W 1" DRIVER B&C DE-10-8OHM	1
3841	5.5" NYLON CABLE TIE	2
8517DV2	ALUMINIZED DECAL FOR 8517 SM. DISH	1
8240D	"Y" LOGO SML. DOMED YORKVILLE BLUE	1
3641	S.C BAYONET WIRE SOCKET TINNED	1
3647	12V 18W SC BAYONET #1141 BULB	1
3543	20 PIN BRKAWAY 90 LOCK .156	0.2
3549	TRIFURCON TERM .156	4
3558	TERM HOUSING 4 CIR .156/RAMP	1
8800	6-32 KEPS NUT ZINC	1
4599	22AWG SOLID SC WIR T&R JMP	4
4723	10.W 1R8 5% BLK RES	1
4741	10.W 3R9 5% BLK RES	1
8729	#4 X 3/8 FLAT QUAD TYPE A JS500 BLK	2
8835	6-32 X 1/2 PAN QUAD MS TIN PLATED	1
8785	#8 X 3/4 OVAL PH TYPE A BLACK OXIDE	4
8815	8-32 X 3/4 PAN PH TAPTITE JS500	4
8990	#8 X 2 1/2 SCKT DECK SCRW FLT JS500	7
8781	#10 X 7/8 FLAT PHIL TYPE A JS500BLK	2
8843	10-32 X 1 1/8 FLAT PH MS JS500	6
8786	10-32 X 1 1/4 PAN QD MS JS500 BLACK	5
8862	#10 X 1 1/2 PAN PH TYPE A JS500	2
8928	#14X11/4 ALLEN FLHD WOOD SCRW JS500	4
8847	1/4-20 X 1 1/4 FLAT PH MS JS500	3
8991	M5 X 35 PAN PHIL JS500 BLACK	2
7328	8" 4R 75WPGM SPEAKER	1
8908	#10 SAE FLAT WASHER .25"ID .565" OD	2

YS No.	Description	Qty.
5938	560N 100V 10%CAP BLK RAD POLY FLM	1
5932	_2U2 100V 10%CAP BLK RAD POLY FLM	1
5931	_6U8 100V 10%CAP BLK RAD POLY FLM	1
5930	_10U 100V 10%CAP BLK RAD POLY FLM	1
3780	_220UH COIL 22AWG R000 BOBBIN	1
3781	_430UH COIL 22AWG R000 BOBBIN	1
3772	_560UH COIL 18AWG R348 AIR CORE	1
3724	1000UH COIL 20AWG R361 IRON CORE	1
8487	ADAPTOR,SPEAKER STAND,PLASTIC,LARGE	1
8522	RUBBER BUMPER WITH WASHER -SMALL-	4
3489	CLIP 250X032 18-22AWG DISCO/INSL	2
3491	CLIP 205/187X020 18-22AWG DISCO/INS	2
3924	1/4" JCK PCB MT VERT 2XTIP HICURNT	2
3628	SPKON 4C PCB MT VERT 250TAB GRY #4	1
8517	SMALL BLACK XOVERDISH PLASTIC CNFG3	1
3451	EYELET SMALL 0.089 OD PLATED	7
8540	HANDLE BAR, ZINC DIECAST	1
DE-10	8R 40W 1" DRIVER B&C DE-10-8OHM	1
3841	5.5" NYLON CABLE TIE	2
8517DV2	ALUMINIZED DECAL FOR 8517 SM. DISH	1
8240D	"Y" LOGO SML. DOMED YORKVILLE BLUE	1
3641	S.C BAYONET WIRE SOCKET TINNED	1
3647	12V 18W SC BAYONET #1141 BULB	1
3543	20 PIN BRKAWAY 90 LOCK .156	0.2
3549	TRIFURCON TERM .156	4
3558	TERM HOUSING 4 CIR .156/RAMP	1
8800	6-32 KEPS NUT ZINC	1
4599	22AWG SOLID SC WIR T&R JMP	3
5012	15.W 8R2 5% BLK RES	1
4702	10.W 12R 5% BLK RES	2
9041	.093" HOLE .156" STAG 16GA 36"X120"	1.4
8835	6-32 X 1/2 PAN QUAD MS TIN PLATED	1
8785	#8 X 3/4 OVAL PH TYPE A BLACK OXIDE	4
8815	8-32 X 3/4 PAN PH TAPTITE JS500	4
8990	#8 X 2 1/2 SCKT DECK SCRW FLT JS500	7
8781	#10 X 7/8 FLAT PHIL TYPE A JS500BLK	2
8843	10-32 X 1 1/8 FLAT PH MS JS500	4
8786	10-32 X 1 1/4 PAN QD MS JS500 BLACK	5
8862	#10 X 1 1/2 PAN PH TYPE A JS500	2
8928	#14X11/4 ALLEN FLHD WOOD SCRW JS500	4
8847	1/4-20 X 1 1/4 FLAT PH MS JS500	3
8991	M5 X 35 PAN PHIL JS500 BLACK	2
7329	8" 8R 125WPGM SPEAKER	1
8908	#10 SAE FLAT WASHER .25"ID .565" OD	2



M646 SCHEMATIC HISTORY

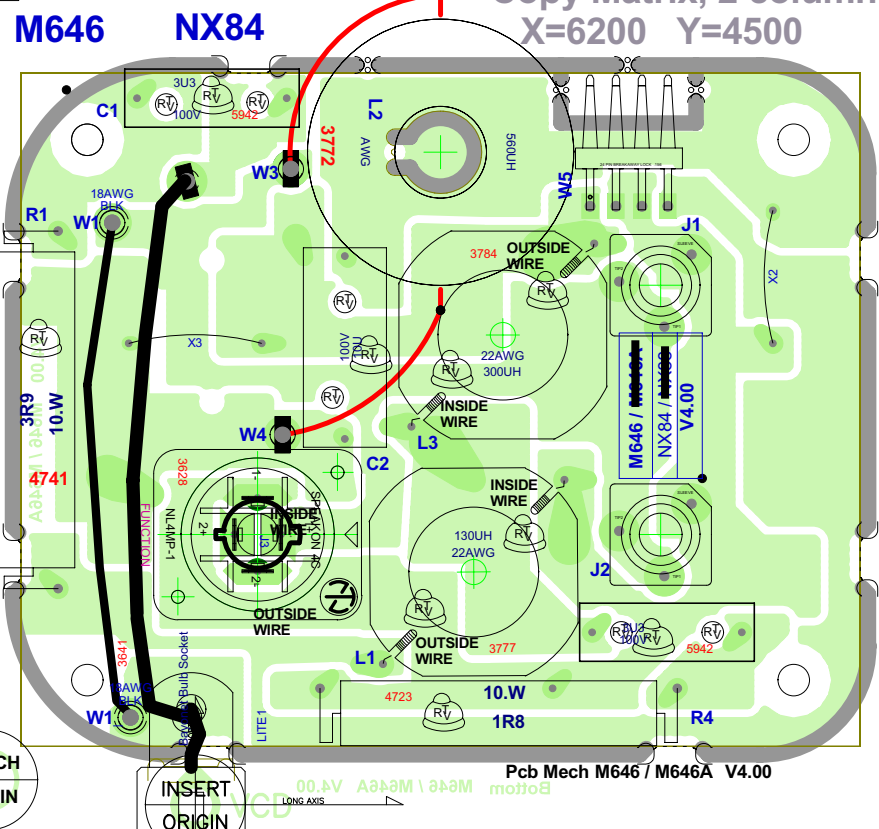
MODEL(S):-		NX 84	
#	DATE	VER#	DESCRIPTION OF CHANGE
1	Aug 26, 2002	v1.00	NEW PCB
2	NOV 21 2002	1.10	MOLEX FROM 8 PIN TO 4 PIN
3	9-DEC-2003	2.00	PC#6655 Added Speakon Connector
4	13-JAN-2004	3.00	Removed routing from L4
5	JAN-19-2005	4.00	PC#6756: FIXED CLEARANCE VIOLATIONS (GT)
6			MADE ECO'S TO CONVERT BETWEEN PDFS FOR NX88/84
7	D	V	N
8	D	V	N
9	D	V	N
10	D	V	N
11	D	V	N
12	D	V	N
13	D	V	N



Product NX84

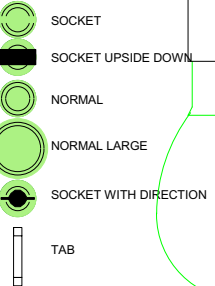
PCB# M646	Sheet 1 of 2
Date: Wed Jan 19, 2005	Rev: v4.00
Filename: NX84-M646-4v0.sch2002	

Copy Matrix, 2 columns 2 rows
X=6200 Y=4500

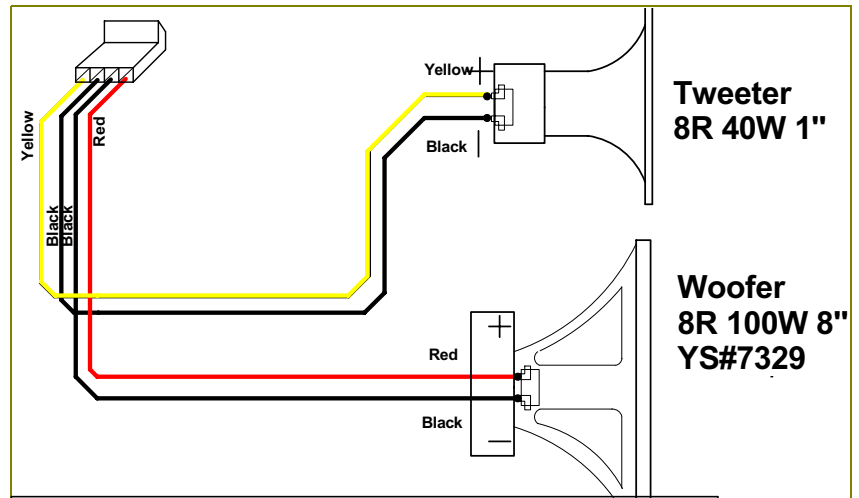


M646 / M646 A .PCB_DATABASE_HISTORY

MODEL(S):- NX 84 - 88			
#	DATE	VER#	DESCRIPTION OF CHANGE
1	August 26th, 02	1.00	New PCB M646 / M646A
2	NOV 20, 2002	2.00	MOLEX FROM 8 PIN TO 4 PIN
3	9-DEC-2003	3.00	PC#6655 Added Speakon connector
4	13-JAN-2004	3.00	Removed routing from L4
5	JAN-19-2005	4.00	PC#6756: FIXED CLEARANCE VIOLATIONS (GT)
6			MADE ECO'S TO CONVERT BETWEEN PDFS FOR NX88/84
7	D	V	N
8	D	V	N
9	D	V	N
10	D	V	N
11	D	V	N
12	D	V	N
13	D	V	N



BlankSize - 12250x9550



M646/M646A DRILL HISTORY

MODEL(S):- NX84/NX88			
#	DATE	VER#	DESCRIPTION OF CHANGE
1	D	V	N
2	D	V	N
3	D	V	N
4	D	V	N
5	D	V	N
6	D	V	N

StepAndRepeat - X2@6.200Y2@4.500

Production Notes:

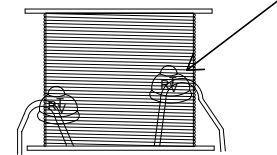
PCBM: 1. Eyelets for L2 and BULB are inserted on bottom side.

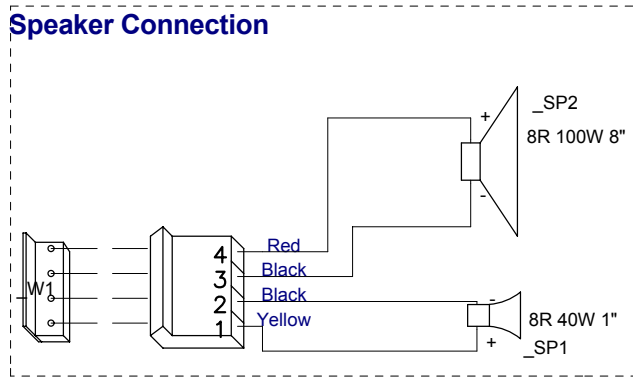
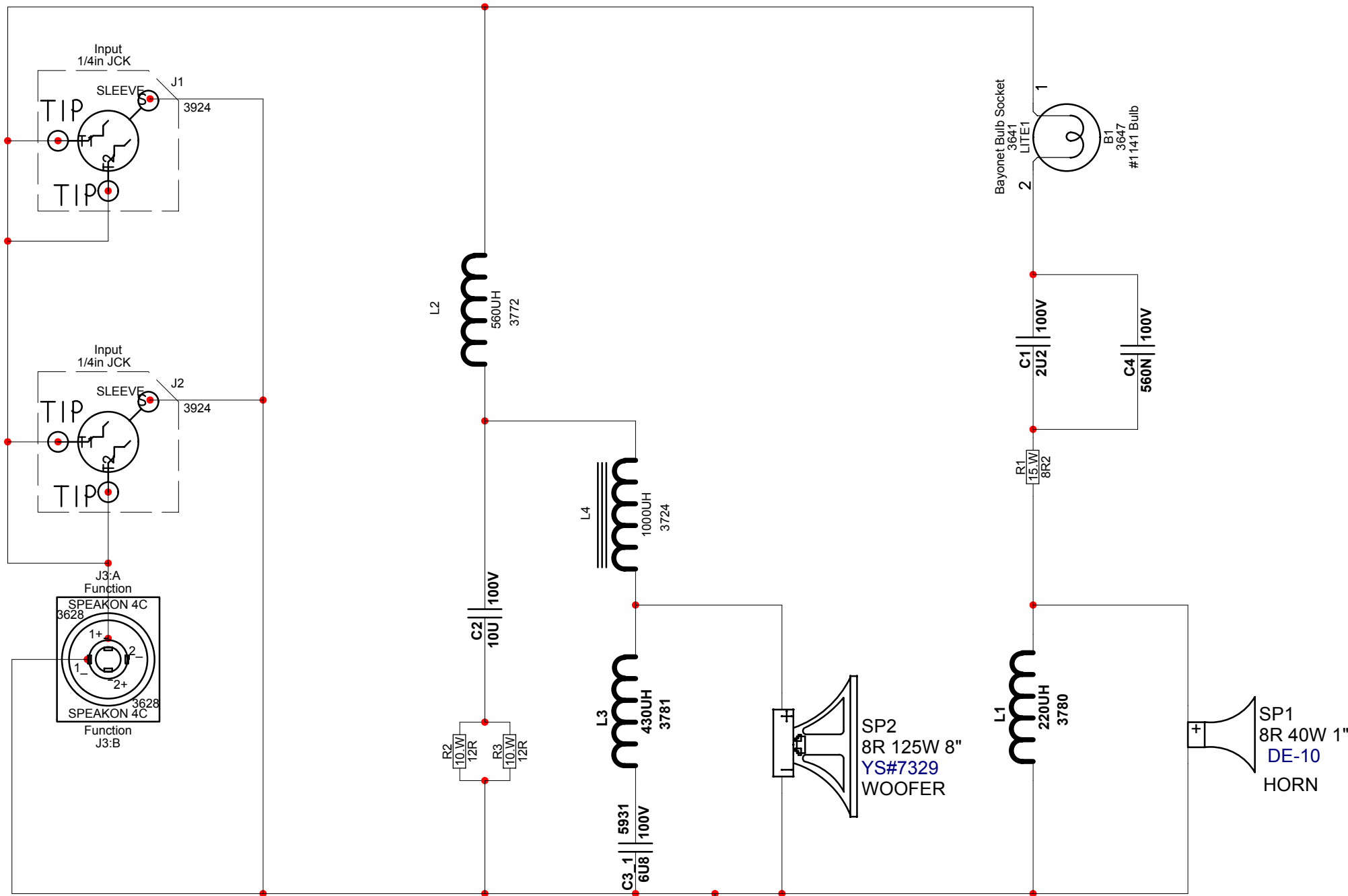
PCBSA: 2. L2 goes on copper side and is handsoldered after wave soldering to W3 and W4. BULB is done by WIRING.

WIRING: 3. Mount bulb on copper side and point towards middle of board before screwing board to dish.

WIRING: 4. Solder bulb to board and its wire to eyelet.

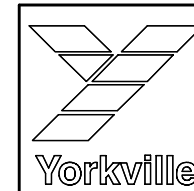
Place RTV points to fix leads on L2





M646A .PCB_DATABASE_HISTORY

MODEL(S):-		NX 88	
#	DATE	VER#	DESCRIPTION OF CHANGE
1	Aug 26 2002	1.00	NEW PCB
2	NOV 21 2002	1.10	MOLEX FROM 8 PIN TO 4 PIN
3	9-DEC-2003	2.00	PC#6655 Added Speakon connector
4	13-JAN-2004	3.00	Removed routing from L4
5	JAN-19-2005	4.00	PC#6756: FIXED CLEARANCE VIOLATIONS (GT)
6	.	.	MADE ECO'S TO CONVERT BETWEEN PDFS FOR NX88/84
7	D	V	N
8	D	V	N
9	D	V	N
10	D	V	N
11	D	V	N
12	D	V	N
13	D	V	N



Product **NX88**

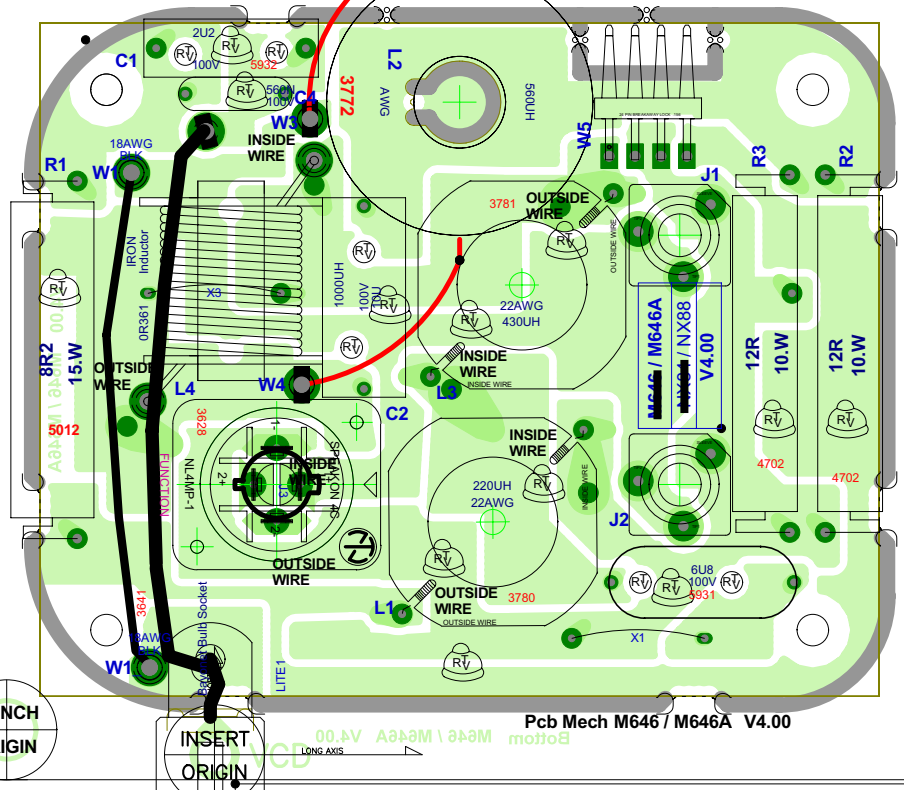
PCB# M646A Sheet 1 of 2

Date: Wed Jan 19, 2005 Rev: v4.00

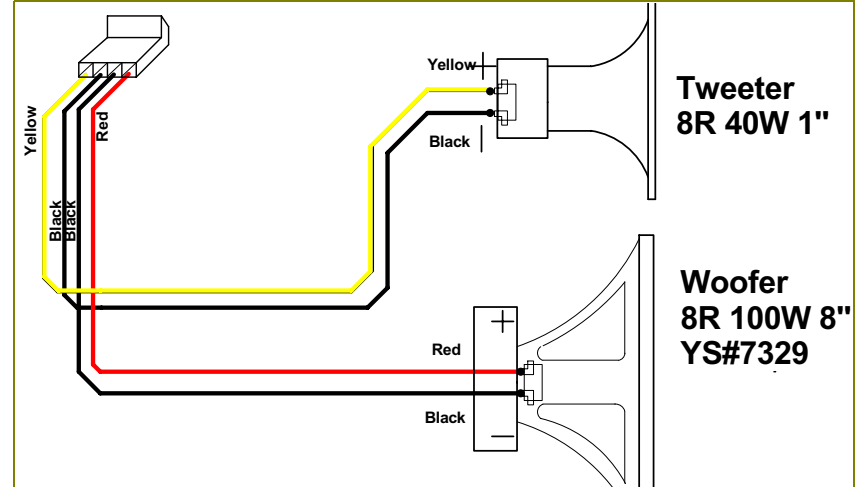
Filename: NX88-M646A-4V0.sch2002

Copy Matrix, 2 columns 2 rows
X=6200 Y=4500

M646A NX88



BlankSize - 12250x9550



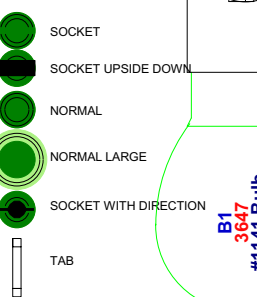
StepAndRepeat - X2@6.200Y2@4.500

M646/M646A DRILL HISTORY

MODEL(S):-		NX84/NX88	
#	DATE	VER#	DESCRIPTION OF CHANGE
1	D	V	N
2	D	V	N
3	D	V	N
4	D	V	N
5	D	V	N
6	D	V	N



Pcb Mech M646 / M646A V4.00



M646 / M646 A .PCB_DATABASE_HISTORY

MODEL(S):-		NX 84 - 88	
#	DATE	VER#	DESCRIPTION OF CHANGE
1	August 26th, 02	1.00	New PCB M646 / M646A
2	NOV 20, 2002	2.00	MOLEX FROM 8 PIN TO 4 PIN
3	9-DEC-2003	3.00	PC#6655 Added Speakon connector
4	13-JAN-2004	3.00	Removed routing from L4
5	JAN-19-2005	4.00	PC#6756: FIXED CLEARANCE VIOLATIONS (GT)
6			MADE ECO'S TO CONVERT BETWEEN PDFS FOR NX88/B4
7	D	V	N
8	D	V	N
9	D	V	N
10	D	V	N
11	D	V	N
12	D	V	N
13	D	V	N

Production Notes:

PCBM: 1. Eyelets for L2 and BULB are inserted on bottom side.

PCBSA: 2. L2 goes on copper side and is handsoldered after wave soldering to W3 and W4. BULB is done by WIRING.

WIRING: 3. Mount bulb on copper side and point towards middle of board before screwing board to dish.

WIRING: 4. Solder bulb to board and its wire to eyelet.

Place RTV points to fix leads on L2

