



SERVICE MANUAL

PS210PX

WEB ACCESS: <http://www.yorkville.com>

WORLD HEADQUARTERS CANADA

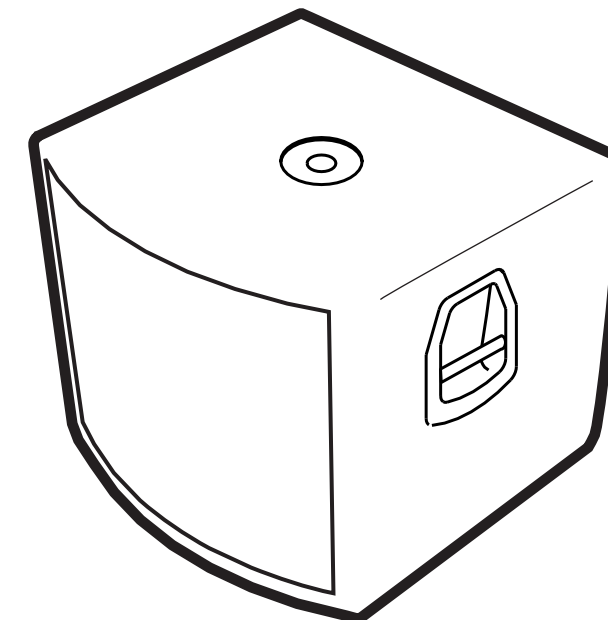
Yorkville Sound
550 Granite Court
Pickering, Ontario
L1W-3Y8 CANADA

Voice: (905) 837-8481
Fax: (905) 837-8746

U.S.A.

Yorkville Sound Inc.
4625 Witmer Industrial Estate
Niagara Falls, New York
14305 USA

Voice: (716) 297-2920
Fax: (716) 297-3689



Quality and Innovation Since 1963
Printed in Canada

IMPORTANT SAFETY INSTRUCTIONS



INSTRUCTIONS PERTAINING TO A RISK OF FIRE, ELECTRIC SHOCK, OR INJURY TO PERSONS.

INSTRUCTIONS RELATIVES AU RISQUE DE FEU, CHOC ÉLECTRIQUE, OU BLESSURES AUX PERSONNES.

CAUTION:

TO REDUCE THE RISK OF ELECTRIC SHOCK, DO NOT REMOVE COVER (OR BACK). NO USER SERVICEABLE PARTS INSIDE.

REFER SERVICING TO QUALIFIED SERVICE PERSONNEL.

AVIS:

AFIN DE REDUIRE LES RISQUE DE CHOC ELECTRIQUE, N'ENLEVEZ PAS LE COUVERT (OU LE PANNEAU ARRIERE). NE CONTIENT AUCUNE PIECE REPARABLE PAR L'UTILISATEUR.

CONSULTEZ UN TECHNICIEN QUALIFIE POUR L'ENTRETIEN.

Read Instructions:

The *Owner's Manual* should be read and understood before operation of your unit. Please, save these instructions for future reference.

Packaging:

Keep the box and packaging materials, in case the unit needs to be returned for service.

Warning:

When using electric products, basic precautions should always be followed, including the following:

Power Sources:

Your unit should be connected to a power source only of the voltage specified in the owners manual or as marked on the unit. This unit has a polarized plug. Do not use with an extension cord or receptacle unless the plug can be fully inserted. Precautions should be taken so that the grounding scheme on the unit is not defeated.

Hazards:

Do not place this product on an unstable cart, stand, tripod, bracket or table. The product may fall, causing serious personal injury and serious damage to the product. Use only with cart, stand, tripod, bracket, or table recommended by the manufacturer or sold with the product. Follow the manufacturer's instructions when installing the product and use mounting accessories recommended by the manufacturer.

The apparatus should not be exposed to dripping or splashing water; no objects filled with liquids should be placed on the apparatus.

Terminals marked with the "lightning bolt" are hazardous live; the external wiring connected to these terminals require installation by an instructed person or the use of ready made leads or cords.

No naked flame sources, such as lighted candles, should be placed on the apparatus.

Power Cord:

The AC supply cord should be routed so that it is unlikely that it will be damaged. If the AC supply cord is damaged **DO NOT OPERATE THE UNIT.**

Service:

The unit should be serviced only by qualified service personnel.

Veillez lire le manuel:

Il contient des informations qui devraient étre comprises avant l'opération de votre appareil. Conservez S.V.P. ces instructions pour consultations ultérieures

Emballage:

Conservez la boîte au cas ou l'appareil devait étre retourner pour réparation.

Attention:

Lors de l'utilisation de produits électrique, assurez-vous d'adhérer à des précautions de bases incluant celle qui suivent:

Alimentation:

L'appareil ne doit étre branché qu'à une source d'alimentation correspondant au voltage spécifié dans le manuel ou tel qu'indiqué sur l'appareil. Cet appareil est équipé d'une prise d'alimentation polarisée. Ne pas utiliser cet appareil avec un cordon de raccordement à moins qu'il soit possible d'insérer complètement les trois lames. Des précautions doivent étre prises afin d'éviter que le système de mise à la terre de l'appareil ne soit désengagé.

Risque:

Ne pas placer cet appareil sur un chariot, un support, un trépied ou une table instables. L'appareil pourrait tomber et blesser quelqu'un ou subir des dommages importants. Utiliser seulement un chariot, un support, un trépied ou une table recommandés par le fabricant ou vendus avec le produit. Suivre les instructions du fabricant pour installer l'appareil et utiliser les accessoires recommandés par le fabricant.

Il convient de ne pas placer sur l'appareil de sources de flammes nues, telles que des bougies allumées.

L'appareil ne doit pas étre exposé à des égouttements d'eau ou des éclaboussures et qu'aucun objet rempli de liquide tel que des vases ne doit étre placé sur l'appareil.

Les dispositifs marqués d'une symbole "d'éclair" sont des parties dangereuses au toucher et que les câblages extérieurs connectés à ces dispositifs de connection extérieure doivent étre effectués par un opérateur formé ou en utilisant des cordons déjà préparés.

Cordon d'alimentation:

Évitez d'endommager le cordon d'alimentation. **N'UTILISEZ PAS L'APPAREIL** si le cordon d'alimentation est endommagé.

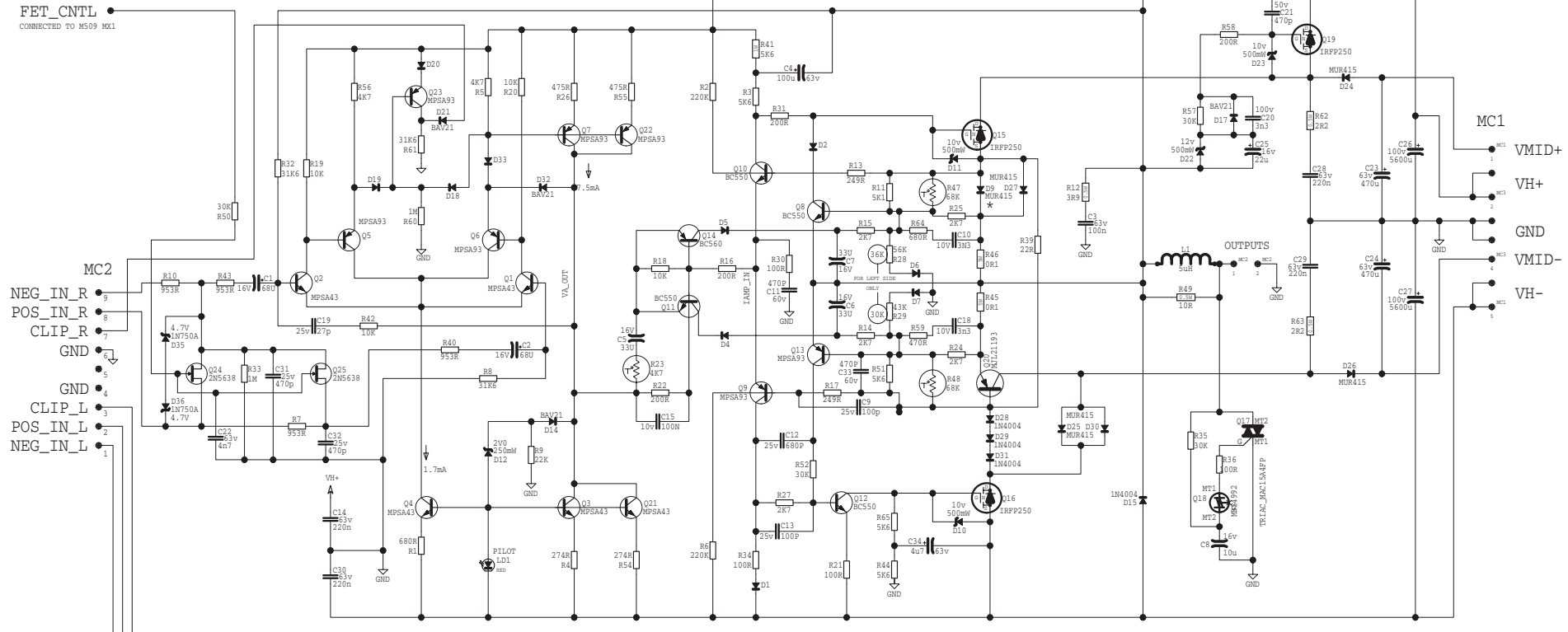
Service:

Consultez un technicien qualifié pour l'entretien de votre appareil.

PS210PX Parts List 1/18/2005

YS #	Description	Qty.	YS #	Description	Qty.	YS #	Description	Qty.
6405	RED 3MM LED 1V7 5MA BRT	2	3810	4" NYLON CABLE TIE	11	8742	4-40 X 3/8 PAN PH TAPTITE JS500	16
6410	GRN 3MM LED 1V7 5MA CLEAR BRT	2	8661	BUTTON KNOB FLAT GREY	2	8861	4-40 X 3/8 PAN PH MS JS500	2
6419	BRIDGE 35A 400V WIRE LEAD GI3504	2	8693	S ROTARY KNOB GREY	2	8799	#6 X 1/4 PAN PH TYPE B JS500	1
6425	BAV21 200V 0A25 DIODE T&R	8	3468	8' 3/16 SJT AC LINE CORD STRIP 17'	1	8832	6-32 X 1/4 PAN PH TAPTITE JS500	2
6825	1N4148 75V 0A45 DIODE T&R	23	3821	HEYCO #1200 STRAIN RELIEF	1	8801	6-32 X 3/8 PAN PH TAPTITE JS500	2
6438	1N4007 400V 1A0 DIODE T&R	16	8245	PULSE SMALL LEXAN LABEL	1	8823	6-32 X 1 PAN PH TAPTITE JS500	9
6479	MUR415 150V 4A0 DIODE FASREC	12	8242	"Y" LOGO PULSE SERIES SMALL	1	8998	6-32 X 1 FLAT PH MS ZINC CLEAR	4
5121	MZ4615RL 2V0 W25 ZENER 5% T&R	2	3521	SIDE ENTRY PCB CONN .156 8POS	1	8803	8-32 X 3/8 PAN QUAD TAPTITE JS500	4
6440	1N750ARL 4V7 0W5 ZENER 5% T&R	4	3607	SIDE ENTRY PCB CONN. 9 POS.	1	8815	8-32 X 3/4 PAN PH TAPTITE JS500	10
6461	1N5240BRL 10V0 0W5 ZENER 5% T&R	6	3674	9 CIR CABLE HOLDER .098	1	8875	#8 X 1 1/2 PAN PH TYPE A JS500	4
6450	1N5242B 12V0 0W5 ZENER 5% T&R	2	8701	4-40 KEPS NUT ZINC	2	8749	10-32 X 1/2 QDX PH TAPTITE JS500	2
6465	1N5250B 20V0 0W5 ZENER 5% T&R	1	8800	6-32 KEPS NUT ZINC	14	8781	#10 X 7/8 FLAT PHIL TYPE A JS500BLK	22
6856	NJM7815FA TO220 P 15V0 REG IS V1	1	8797	5/16-18 KEPS NUT JS500	1	8727	#10 X 1" PAN PH TYPE A JS500 BLACK	16
6857	NJM7915FA TO220 N 15V0 REG IS V2	1	4597	22AWG STRAN TC WIR JMP	8	8862	#10 X 1 1/2 PAN PH TYPE A JS500	8
5101	BC550C TO92 NPN TRAN T&R TB	11	4599	22AWG SOLID SC WIR T&R JMP	33	8751	10-32 X 2 PAN PH MS JS500	8
5102	BC560C TO92 PNP TRANSISTOR T&R TB	8	5299	24AWG SOLID SC WIR RAD JMP	18	8777	#14 X 1 FLAT PH TYPE A JS500 M6 HEAD	4
5109	MPSA43 TO92 NPN TRAN TA	10	4745	5.0W 0R1 5% BLK RES	5	8740	5/16-18 X 3 GRD 5 HEX BOLT JS500	1
5114	MPSA92 TO92 PNP TRAN T&R TA	14	4688	1/2W 2R2 5% T&R RES	4	3741	5 SPACER ID-.171 OD-.25 #912-500	6
5119	2N5638 TO92 NCH JFET T&R TC	4	4748	2.0W 3R9 5% T&R	4	8657	6-32 X 3/8" HEX SPACER ALUMINUM	4
6928	IRFP250 TO247 NCH MFET TM	6	4675	1/2W 10R 5% T&R RES	2	7265	10" 8R 300WPGM SPEAKER	2
6991	MJL21193 TO3P PNP TRAN TK	2	2013	1/8W 22R1 1%FLAME PROOF T&R RES	2	8818	3/4 OD X 3/8 ID X .080 THICK WASHER	1
6882	TL072CP IC FET DUAL OP AMP	5	2019	1/8W 100R0 1%FLAME PROOF T&R RES	2	3511	#6 FLAT WASHER NYLON	2
6884	NE5532N IC DUAL OP AMP	2	4852	1/4W 100R 5% T&R RES	1	8485	#6 SPLIT WASHER ZINC	2
6745	LM13600N IC XCONDUCTANCE AMP	2	4921	1/4W 100R 5% .2"U T&R RES	6	8820	#8 FLAT WASHER JS500	4
5190	MBS4992 TO92 8V5 TRNSISTR DIAC T&R	2	4909	1/4W 200R 5% T&R RES	2	8473	#10 BLACK CUPWASHER SWF-10BK	1
6470	MAC15A6FP TO220 15A TRIAC 400V	2	4932	1/4W 200R 5% .2"U T&R RES	8	3436	DPDT PUSH SW PCMT H BREAK B4 MAKE	2
6472	4K7 3% 0W0 THERMISTOR	2	4857	1/4W 220R 5% T&R RES	4	3585	DPDT ROKR SW QUIK 250" AC/PWR IEC65	1
6473	68K 3% 0W0 THERMISTOR	4	4944	1/4W 220R 5% .2"U T&R RES	4	3705	4P3T SLID SW PCMT H	1
6482	115R 20% 0W0 PTC THERMISTOR	2	2024	1/8W 249R 2%FLAME PROOF T&R RES	4	3399	THERMO/BRKR:N/CLOSED OPEN@96C	1
5405	.27P 200V 5%CAP T&R RAD CER.2"NPO	2	2025	1/8W 274R 1%FLAME PROOF T&R RES	4	8468	VELCRO STRAP 3/4"X22CM (VELSTRAP)	1
5199	100P 100V 2%CAP T&R RAD CER.2"NPO	4	4208	1/8W 475R 1%FLAME PROOF T&R RES	4	1287	PPW/EPW 120VAC 60HZ TRD	
5197	220P 100V 2%CAP T&R RAD CER.2"NPO	2	4933	1/4W 470R 5% .2"U T&R RES	2			
5201	470P 100V 5%CAP T&R RAD CER.2"NPO	10	2030	1/8W 681R 1%FLAME PROOF T&R RES	2			
5816	680P 100V 5%CAP T&R RAD CER.2"NPO	2	4923	1/4W 680R 5% .2"U T&R RES	3			
5275	.3N3 100V 5%CAP T&R RAD .2"FLM	6	4758	1/4W 953R 1% T&R RES	8			
5209	.4N7 250V 5%CAP T&R RAD .2"FLM	2	4823	1/4W 1K 5% T&R RES	4			
6451	.4N7 250V 20%CAP BLK Y' 10MM AC	1	4934	1/4W 1K 5% .2"U T&R RES	4			
5840	.22N 400V 10%CAP BLK RAD POLY FLM	1	4791	1/4W 1K54 1% T&T RES	2			
6435	.22N 275V 20%CAP BLK X2' 15MM AC	1	4825	1/4W 1K8 5% T&R RES	1			
5224	.47N 100V 10%CAP T&R RAD .2"FLM	5	4936	1/4W 2K7 5% .2"U T&R RES	10			
5226	.68N 100V 5%CAP T&R RAD .2"FLM	1	4826	1/4W 3K3 5% T&R RES	1			
5228	100N 100V 5%CAP T&R RAD .2"FLM	17	4943	1/4W 4K7 5% .2"U T&R RES	5			
5231	220N 63V 10%CAP T&R RAD .2"FLM	8	4982	1/4W 4K7 5%MINI T&R RES	4			
5318	220N 50V 10%CAP T&R BEAD X7R	1	4939	1/4W 5K1 5% .2"U T&R RES	2			
5255	.1U 63V 20%CAP T&R RAD .2"EL	1	4685	1.0W 5K6 5% T&R RES	2			
5259	.4U7 63V 20%CAP T&R RAD .2"EL	2	4862	1/4W 5K6 5% T&R RES	8			
5281	.10U 16V 20%CAP T&R RAD .2"NP	6	4762	1/4W 9K760 0.1% *** T&R RES	2			
5945	.10U 63V 20%CAP T&R RAD .2"EL	2	4829	1/4W 10K 5% T&R RES	6			
5260	.22U 50V 20%CAP T&R RAD .2"EL	8	4940	1/4W 10K 5% .2"U T&R RES	12			
5961	.33U 16V 20%CAP T&R RAD .2"NP	6	4953	1/4W 12K 5% .2"U T&R RES	1			
5265	.68U 25V 20%CAP T&R RAD .2"EL	6	4901	1/4W 13K 5% T&R RES	1			
5267	100U 25V 20%CAP T&R RAD .2"EL	2	4630	1/2W 15K 5% T&R RES	3			
5914	100U 63V 20%CAP BLK 10X13MM EL	2	4979	1/4W 15K 5%MINI T&R RES	5			
5621	470U 63V 20%CAP BLK 12X25MM EL	4	4784	1/4W 17K40 0.1% *** T&R RES	4			
5859	4700U 50V 20%CAP BLK 25X36MM ELS	2	4954	1/4W 18K 5% .2"U T&R RES	2			
5890	5600U 100V 20%CAP RAD 35X50MM ELS	4	4832	1/4W 22K 5% T&R RES	2			
4403	.10K 5B LIN 16MM P14	2	6118	1/4W 22K 5%MINI T&R RES	6			
3819	.5UH COIL 18AWG R000 AIR CORE	2	4890	1/4W 30K 5% T&R RES	1			
8483	ADAPTOR,SPEAKER STAND,METAL,BLACK	1	4941	1/4W 30K 5% .2"U T&R RES	8			
8547	PLASTIC FOOT BLACK, POLYETHYLENE	4	4917	1/4W 31K6 1% T&R RES	6			
3489	CLIP 250X032 18-22AWG DISCO/INSL	3	4840	1/4W 33K 5% T&R RES	7			
3490	CLIP 250X032 14-16AWG DISCO/INSL	6	4947	1/4W 33K 5% .2"U T&R RES	7			
3491	CLIP 205/187X020 18-22AWG DISCO/INS	4	4868	1/4W 36K 5% T&R RES	1			
3601	RING TERMINAL 16AWG WIRE & #8 SCREW	1	4878	1/4W 43K 5% T&R RES	1			
3682	250 MALE PCB TAB REEL	12	4927	1/4W 47K 5% .2"U T&R RES	3			
3498	1/4" JCK PCB MT HORZ	4	4835	1/4W 56K 5% T&R RES	1			
3660	XLR FEML PCB MT HORZ	1	4836	1/4W 68K 5% T&R RES	2			
3451	EYELET SMALL 0.089 OD PLATED	62	4838	1/4W 100K 5% T&R RES	5			
3412	LOWPROFILE FUSEHOLDER FOR .25X1.25	1	4942	1/4W 100K 5% .2"U T&R RES	1			
3414	INTERNATIONAL PC MOUNT FUSEHOLDER	8	6120	1/4W 100K 5%MINI T&R RES	1			
2427	5.0 AMP SLO-BLO .25X1.25 FUSE	1	4839	1/4W 150K 5% T&R RES	1			
2438	12.0 AMP SLO-BLO .25X1.25 FUSE	4	4849	1/4W 180K 5% T&R RES	1			
8537	TEARDROP HANDLE "YORKVILLE" BLUE	2	4949	1/4W 180K 5% .2"U T&R RES	1			
8604	10-32 T NUT	8	4841	1/4W 220K 5% T&R RES	5			
3501	B52200F006 COMP WASH #4 SMALL	2	4843	1/4W 470K 5% T&R RES	3			
3556	XSISTOR HOLD SPRING-BAR (PLATED)	4	6127	1/4W 470K 5%MINI T&R RES	1			
3800	BELLY BUTTON #BB1 CORDS CANADA	8	4844	1/4W 1M 5% T&R RES	6			
3862	SIL PAD 400 1.5X6.75	2	4888	1/4W 4M7 5% T&R RES	1			
3795	#8 GROUND LUG ZIERICK 505-169	1	3608	10" 9C-24AWG RIBBON HITMP 0.1"	1			
3803	NYLON SECUR-A-TACH MINI PLASTIC TIE	1	8729	#4 X 3/8 FLAT QUAD TYPE A JS500 BLK	2			

A



MC2
 NEG_IN_R
 POS_IN_R
 CLIP_R
 GND
 GND
 CLIP_L
 POS_IN_L
 NEG_IN_L

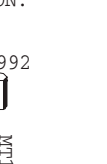
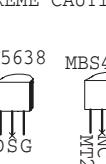
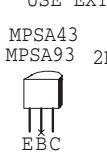
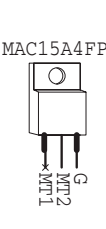
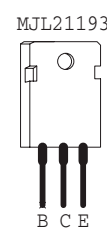
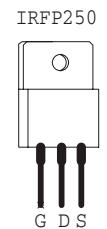
MC1
 VMID+
 VH+
 GND
 VMID-
 VH-

SERVICE WARNING: POTENTIALS GREATER THAN 130VDC PRESENT.

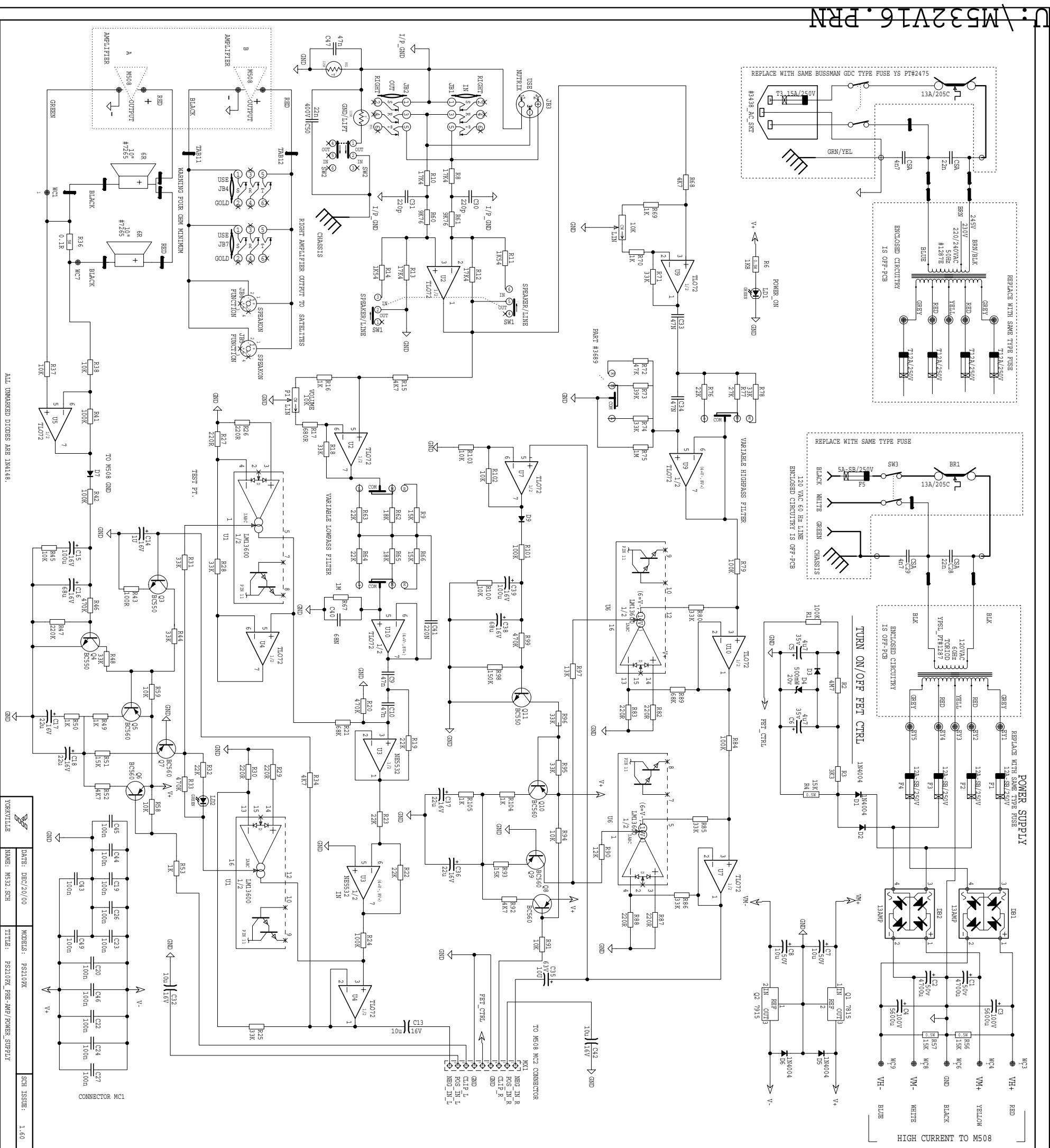
USE EXTREME CAUTION.

CLIP_L
 POS_IN_L
 NEG_IN_L

CONNECTIONS TO
 THE LEFT CHAN
 AMPLIFIER



YORKVILLE	DATE: MARCH/24/97	MODELS: PS210PK SUB WOOFER	SCH ISSUE: 1.00
	NAME: M508C.SCH	PCB#VER: M508_3_40	TITLE: PWR_AMP



M532.SCH DATABASE HISTORY		
MODEL(S) :-	PS210PX	
#	DATE	DESCRIPTION OF CHANGE
1	AUG/06/98	PC#5785 PRIMARY FUSE CE T5A->T2,5A NA 8A-SB->5A-SB
2	SEP/15/98	REPLACE FUSE SYMBOL
3	OCT/27/98	PC#5867-R51,R93 33K->15K
4	JAN/25/99	CE XFMR WIRE COLOURS UPDATED
5	OCT/06/99	PC#6108 REDO_GND_LIFT SWITCH ADDED RV2,C47,C48
6	DEC/20/00	PC#6314_CE_FUSE T2,5A->T3,15A

PRODUCTION NOTES

7915
7815
BC550C
BC560C

STYLE *P14*

V+
V-
GND

M508C PS210PX

AUTO-INSERTION

2 oz COPPER

1. Q1L/Q1R, Q2L/Q2R
THE ABOVE TRANSISTORS MUST BE FROM THE SAME BATCH (MANUFACTURERS LOT #)

BOARD ASSEMBLY

1. ADD RTV TO THE FOLLOWING COMPONENTS
C34L/R, C5L/R, C1L/R, C2L/R, L1L/R
R45L/R, R46L/R, C6L/R, C8L/R, C25L/R
ADD RTV BETWEEN C23L/R , C24L/R AND
C7L/R, C26L/R.
2. LD1L/R ARE BENT OVER FLAT TO PCB AND
RTV'D IN PLACE
3. C26 AND C27 ARE BROKEN AWAY AFTER WAVE
SOLDER AND SOLDERED MANUALLY TO THEIR
CORRECT POSITION. THESE CAPS ARE RTV'D
AND HELD IN POSITION WITH NYLON CABLE
TIES.
4. ADD RTV UNDER THE MOLEX RIBBON CABLE
BEFORE IT IS PUT INTO THE STRAIN RELIEF.
5. ADD TOOTH PICKS TO EYELETS BEFORE WAVE
SOLDER.
6. USE #8799 SCREW TO MOUNT Q17L/R.
7. BEND THERMISTORS R23L/R OVER FLAT TO PCB.

208-2-00

BLANK SIZE=17.35"X8.625"

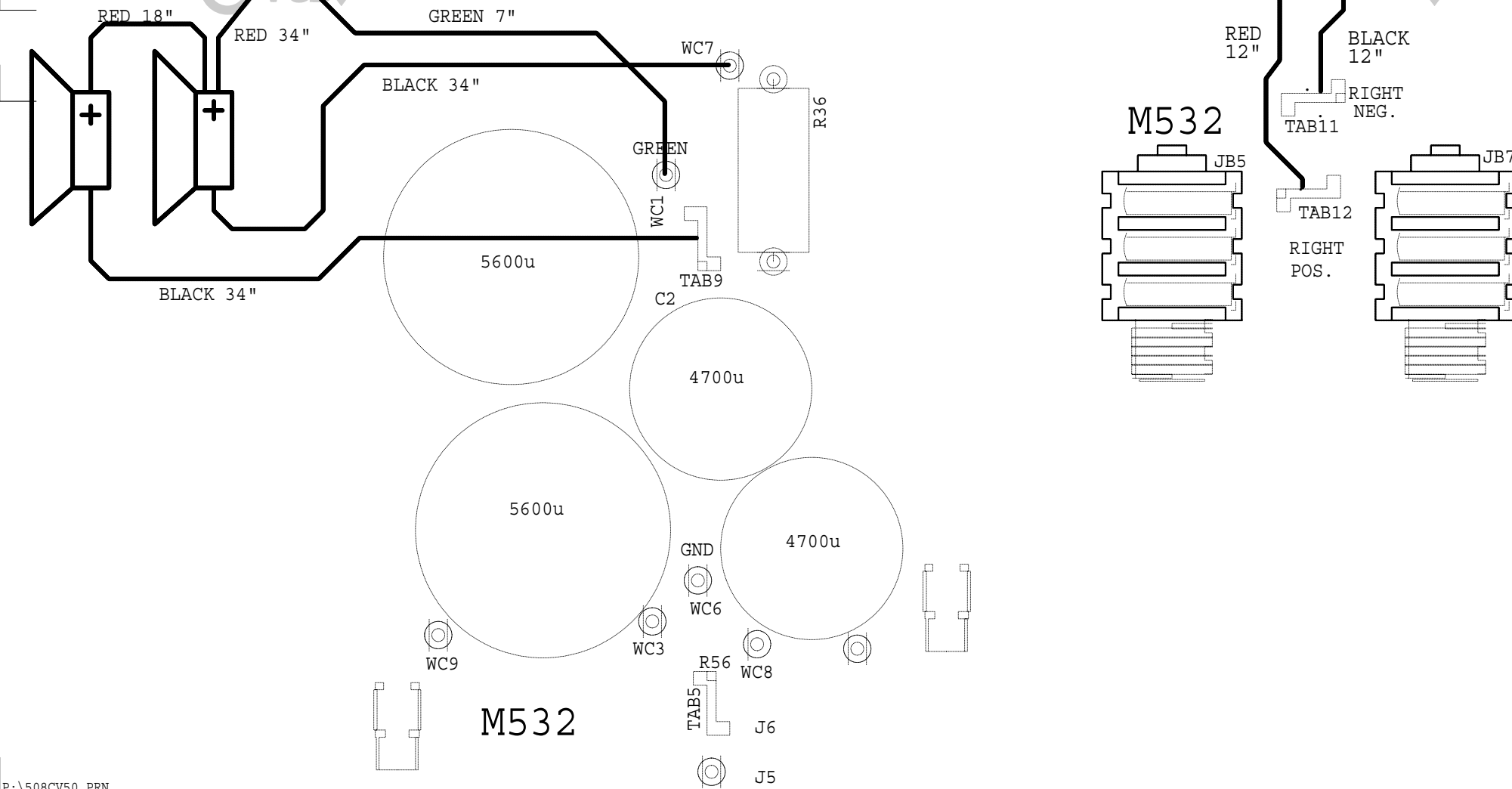
GUIDE
ETCH

GUIDE
ETCH

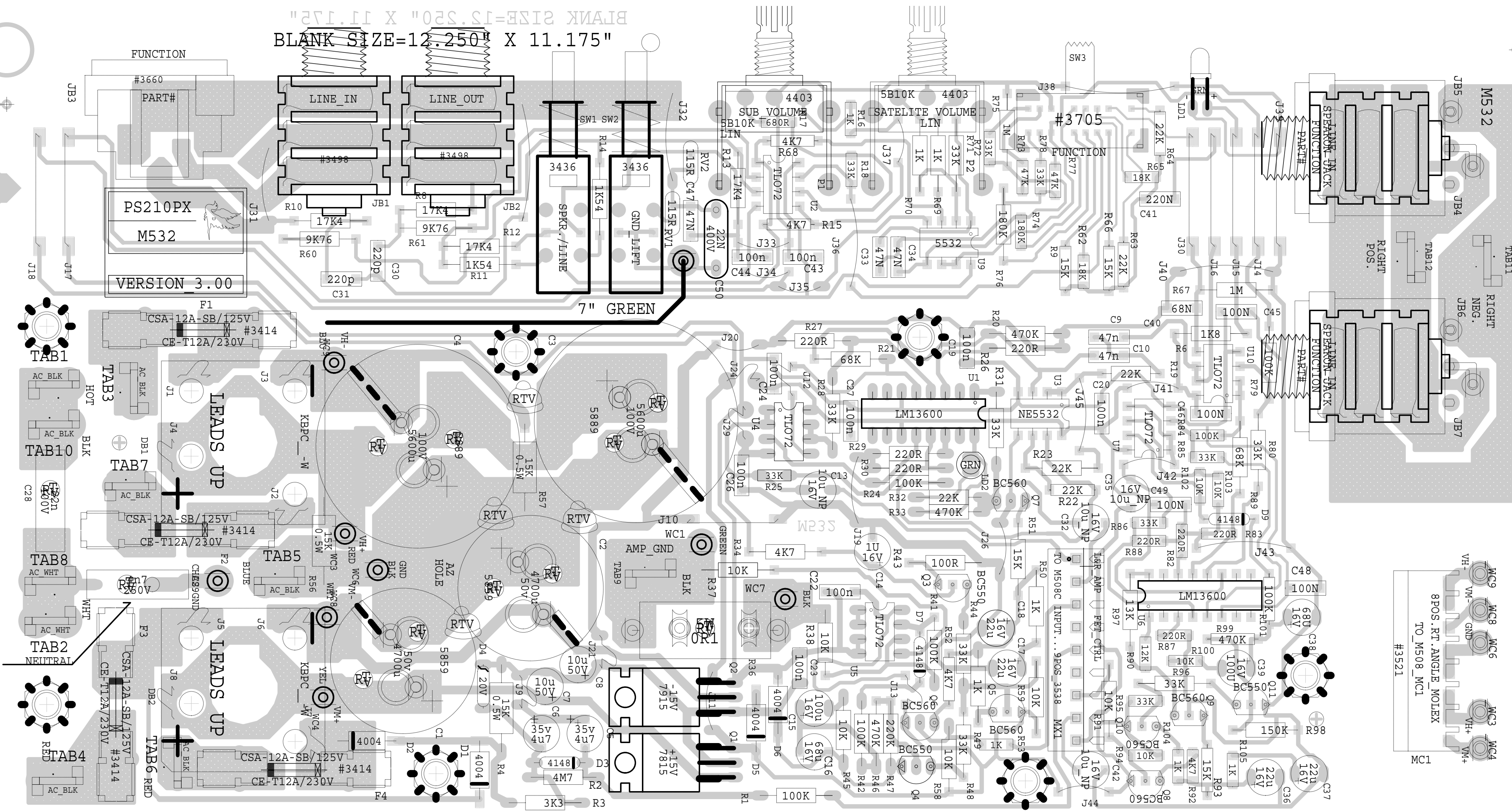
VER. 5.00

M508/A/C.PCB DATABASE HISTORY

MODEL(S) :- ES700P PS218 PS210PX		
#	DATE	VER# DESCRIPTION OF CHANGE
1	FEB/24/95	3.40 SOME TRACES ALTERED. PADS FOR MOLEX
2	.	CHANGED FROM S100 TO R120.
3	.	ROUTING BY FILTER CAPS CHANGED.
4	AUG/27/97	4.00 PC#XXXX FILTER CAPS CHANGED
5	.	PC#4409 Q11R MOVED
6	SEP/05/97	PC#XXXX Q1L/R Q2L/R MOVED
7	MAR/25/98	5.00 J10_RADIAL->AXIAL
8	D	V N
9	D	V N
10	D	V N
11	D	V N
12	D	V N
13	D	V N
14	D	V N
15	D	V N
16	D	V N
17	D	V N
18	D	V N
19	D	V N
20	D	V N



BLANK SIZE=12.250" X 11.175"



M532.PCB_DATABASE_HISTORY

MODEL(S) :- PS210PX

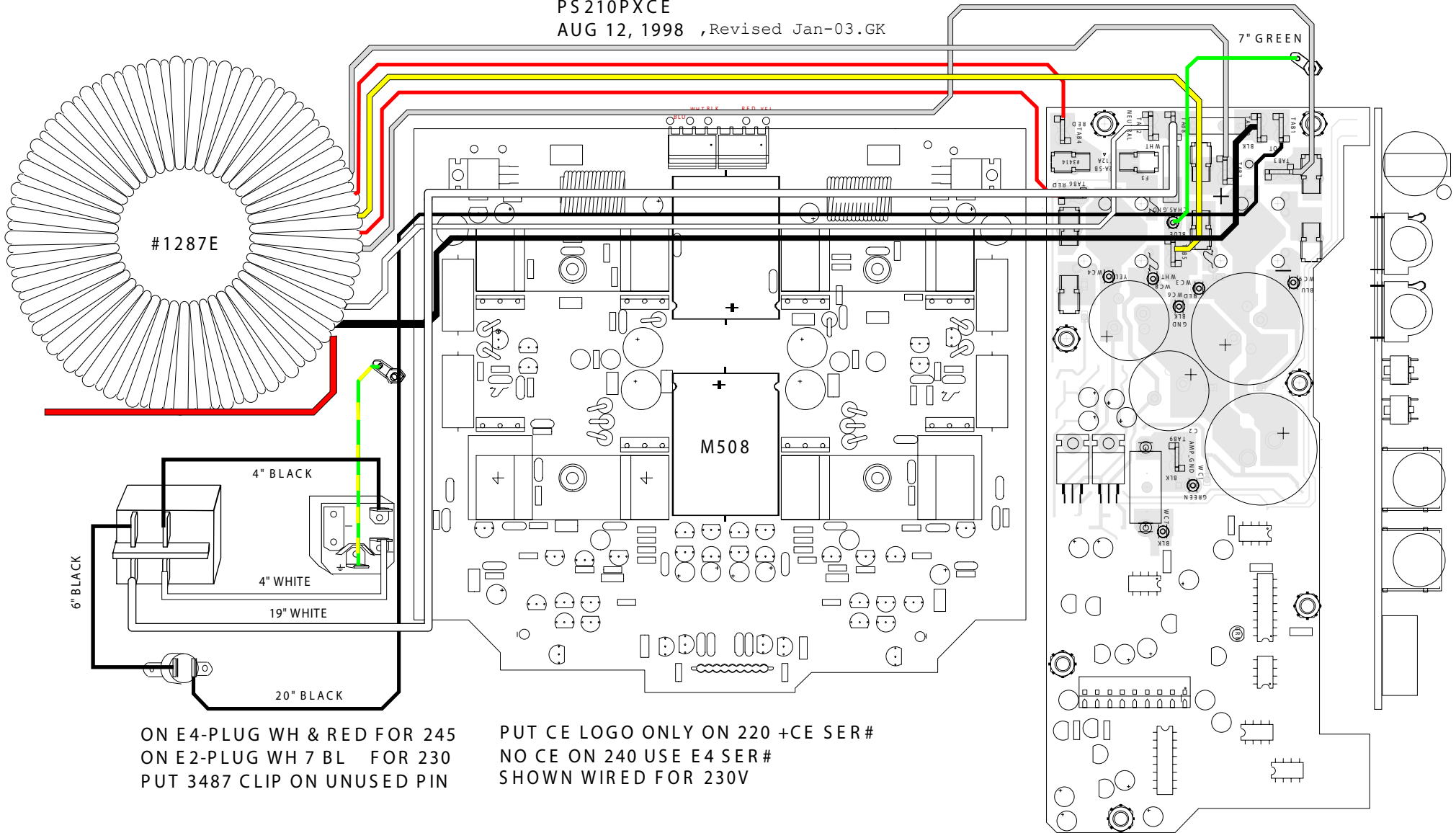
#	DATE	VERSION	DESCRIPTION OF CHANGE
1	OCT/27/98	1.01	PC#5867 R51,R93 33K->15K
2	OCT/07/99	2.00	PC#6108_GROUND LIFT_SWITCH_REDONE_ADD RV2_C47,C50
3	.	.	PC#6130_MOVE R3 AWAYA-FROM R2
4	JUL/01/02	3.00	PC#6178_R93_RADIAL->AXIAL
5	D	V	N
6	D	V	N
7	D	V	N
8	D	V	N
9	D	V	N
10	D	V	N
11	D	V	N
12	D	V	N
13	D	V	N
14	D	V	N

PS210PX

PRODUCTION NOTES

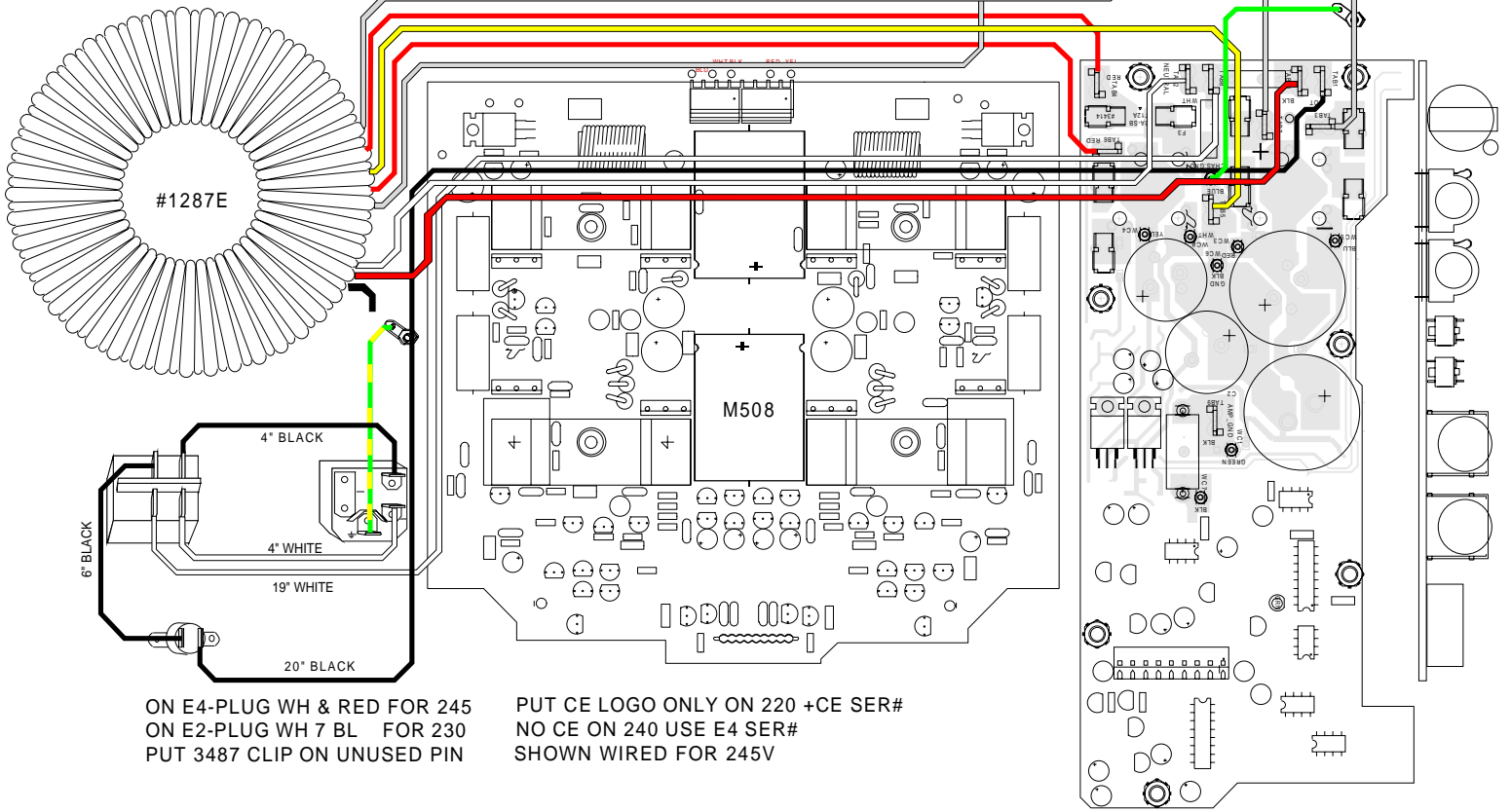
1. ADD RTV TO ALL CAPS AND RV2.
2. INSTALL #6956 SPEAKON IN JB4,JB5 AND JB6,JB7 FOR EUROPEAN VERSION
3. HAND STUFF R93
- 4.

PS210PXCE
AUG 12, 1998 , Revised Jan-03.GK



ON E4-PLUG WH & RED FOR 245
ON E2-PLUG WH 7 BL FOR 230
PUT 3487 CLIP ON UNUSED PIN

PUT CE LOGO ONLY ON 220 +CE SER#
NO CE ON 240 USE E4 SER#
SHOWN WIRED FOR 230V



ON E4-PLUG WH & RED FOR 245
ON E2-PLUG WH 7 BL FOR 230
PUT 3487 CLIP ON UNUSED PIN

PUT CE LOGO ONLY ON 220 +CE SER#
NO CE ON 240 USE E4 SER#
SHOWN WIRED FOR 245V