



SERVICE MANUAL

PS218P

WEB ACCESS: <http://www.yorkville.com>

WORLD HEADQUARTERS CANADA

Yorkville Sound
550 Granite Court
Pickering, Ontario
L1W-3Y8 CANADA

Voice: (905) 837-8481
Fax: (905) 837-8746

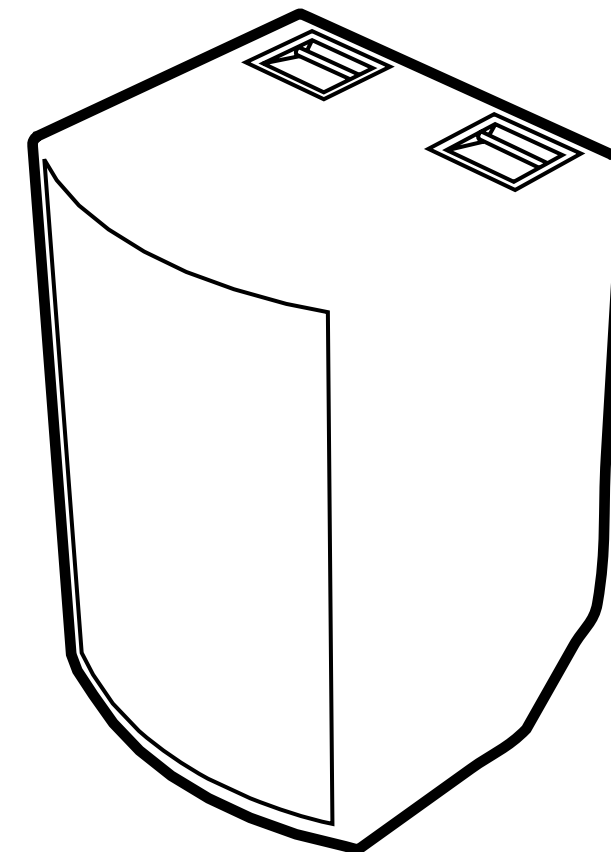
U.S.A.

Yorkville Sound Inc.
4625 Witmer Industrial Estate
Niagara Falls, New York
14305 USA

Voice: (716) 297-2920
Fax: (716) 297-3689



Quality and Innovation Since 1963
Printed in Canada



IMPORTANT SAFETY INSTRUCTIONS



INSTRUCTIONS PERTAINING TO A RISK OF FIRE, ELECTRIC SHOCK, OR INJURY TO PERSONS.

INSTRUCTIONS RELATIVES AU RISQUE DE FEU, CHOC ÉLECTRIQUE, OU BLESSURES AUX PERSONNES.

CAUTION:

TO REDUCE THE RISK OF ELECTRIC SHOCK, DO NOT REMOVE COVER (OR BACK). NO USER SERVICEABLE PARTS INSIDE.

REFER SERVICING TO QUALIFIED SERVICE PERSONNEL.

AVIS:

AFIN DE REDUIRE LES RISQUE DE CHOC ELECTRIQUE, N'ENLEVEZ PAS LE COUVERT (OU LE PANNEAU ARRIERE). NE CONTIENT AUCUNE PIECE REPARABLE PAR L'UTILISATEUR.

CONSULTEZ UN TECHNICIEN QUALIFIE POUR L'ENTRETIEN.

Read Instructions:

The *Owner's Manual* should be read and understood before operation of your unit. Please, save these instructions for future reference.

Packaging:

Keep the box and packaging materials, in case the unit needs to be returned for service.

Warning:

When using electric products, basic precautions should always be followed, including the following:

Power Sources:

Your unit should be connected to a power source only of the voltage specified in the owners manual or as marked on the unit. This unit has a polarized plug. Do not use with an extension cord or receptacle unless the plug can be fully inserted. Precautions should be taken so that the grounding scheme on the unit is not defeated.

Hazards:

Do not place this product on an unstable cart, stand, tripod, bracket or table. The product may fall, causing serious personal injury and serious damage to the product. Use only with cart, stand, tripod, bracket, or table recommended by the manufacturer or sold with the product. Follow the manufacturer's instructions when installing the product and use mounting accessories recommended by the manufacturer.

The apparatus should not be exposed to dripping or splashing water; no objects filled with liquids should be placed on the apparatus.

Terminals marked with the "lightning bolt" are hazardous live; the external wiring connected to these terminals require installation by an instructed person or the use of ready made leads or cords.

No naked flame sources, such as lighted candles, should be placed on the apparatus.

Power Cord:

The AC supply cord should be routed so that it is unlikely that it will be damaged. If the AC supply cord is damaged **DO NOT OPERATE THE UNIT.**

Service:

The unit should be serviced only by qualified service personnel.

Veillez lire le manuel:

Il contient des informations qui devraient étre comprises avant l'opération de votre appareil. Conservez S.V.P. ces instructions pour consultations ultérieures

Emballage:

Conservez la boîte au cas où l'appareil devait étre retourner pour réparation.

Attention:

Lors de l'utilisation de produits électrique, assurez-vous d'adhérer à des précautions de bases incluant celle qui suivent:

Alimentation:

L'appareil ne doit étre branché qu'à une source d'alimentation correspondant au voltage spécifié dans le manuel ou tel qu'indiqué sur l'appareil. Cet appareil est équipé d'une prise d'alimentation polarisée. Ne pas utiliser cet appareil avec un cordon de raccordement à moins qu'il soit possible d'insérer complètement les trois lames. Des précautions doivent étre prises afin d'éviter que le système de mise à la terre de l'appareil ne soit désengagé.

Risque:

Ne pas placer cet appareil sur un chariot, un support, un trépied ou une table instables. L'appareil pourrait tomber et blesser quelqu'un ou subir des dommages importants. Utiliser seulement un chariot, un support, un trépied ou une table recommandés par le fabricant ou vendus avec le produit. Suivre les instructions du fabricant pour installer l'appareil et utiliser les accessoires recommandés par le fabricant.

Il convient de ne pas placer sur l'appareil de sources de flammes nues, telles que des bougies allumées.

L'appareil ne doit pas étre exposé à des égouttements d'eau ou des éclaboussures et qu'aucun objet rempli de liquide tel que des vases ne doit étre placé sur l'appareil.

Les dispositifs marqués d'une symbole "d'éclair" sont des parties dangereuses au toucher et que les câblages extérieurs connectés à ces dispositifs de connection extérieure doivent étre effectués par un opérateur formé ou en utilisant des cordons déjà préparés.

Cordon d'alimentation:

Évitez d'endommager le cordon d'alimentation. **N'UTILISEZ PAS L'APPAREIL** si le cordon d'alimentation est endommagé.

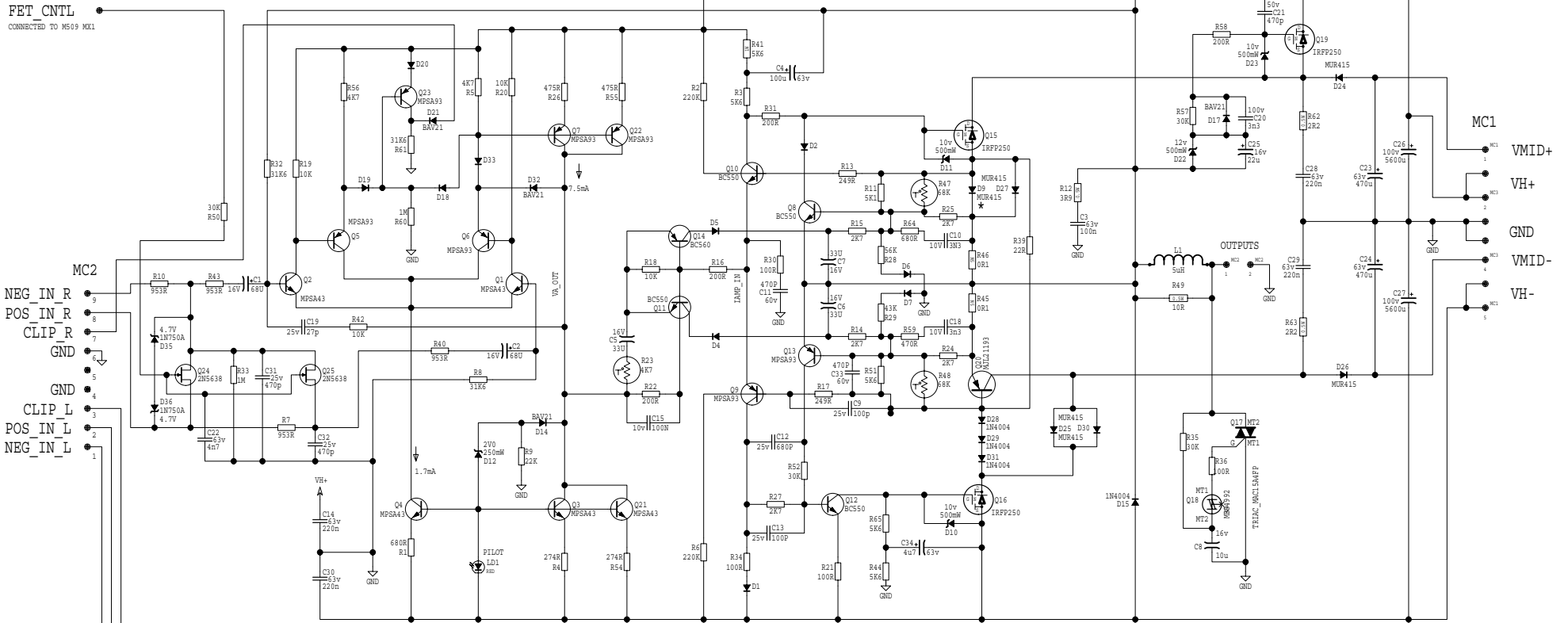
Service:

Consultez un technicien qualifié pour l'entretien de votre appareil.

PS218P Parts List 1/18/2005

YS #	Description	Qty.	YS #	Description	Qty.	YS #	Description	Qty.
6405	RED 3MM LED 1V7 5MA BRT	2	8693	S ROTARY KNOB GREY	1	8770	1/4-20 X 1 5/16 TRUSS PH MS JS500	10
6410	GRN 3MM LED 1V7 5MA CLEAR BRT	2	3468	8' 3/16 SJT AC LINE CORD STRIP 17"	1	8740	5/16-18 X 3 GRD 5 HEX BOLT JS500	1
6419	BRIDGE 35A 400V WIRE LEAD GI3504	2	3821	HEYCO #1200 STRAIN RELIEF	1	3741	5 SPACER ID-.171 OD-.25 #912-500	6
6425	BAV21 200V 0A25 DIODE T&R	8	8246	PULSE LARGE LEXAN LABEL	1	8657	6-32 X 3/8" HEX SPACER ALUMINUM	4
6825	1N4148 75V 0A45 DIODE T&R	22	8243	"Y" LOGO PULSE SERIES LARGE	1	7267	18" 4R 300WPGM SPEAKER SUBWOOFER	2
6438	1N4007 400V 1A0 DIODE T&R	16	8900	YORKVILLE WARRANTY CARD 2-YR UNLTD.	1	8818	3/4 OD X 3/8 ID X .080 THICK WASHER	1
6479	MUR415 150V 4A0 DIODE FASREC	12	3521	SIDE ENTRY PCB CONN .156 8POS	1	3511	#6 FLAT WASHER NYLON	2
5121	MZ4615RL 2V0 W25 ZENER 5% T&R	2	3607	SIDE ENTRY PCB CONN. 9 POS.	1	8485	#6 SPLIT WASHER ZINC	2
6440	1N750ARL 4V7 0W5 ZENER 5% T&R	4	3674	9 CIR CABLE HOLDER .098	1	8820	#8 FLAT WASHER JS500	20
6461	1N5240BRL 10V0 0W5 ZENER 5% T&R	6	8800	6-32 KEPS NUT ZINC	14	8473	#10 BLACK CUPWASHER SWF-10BK	1
6450	1N5242B 12V0 0W5 ZENER 5% T&R	2	8602	1/4-20 T NUT	10	3436	DPDT PUSH SW PCMT H BREAK B4 MAKE	2
6465	1N5250B 20V0 0W5 ZENER 5% T&R	1	8797	5/16-18 KEPS NUT JS500	1	3585	DPDT ROKR SW QUIK 250" AC/PWR IEC65	1
6856	NJM7815FA TO220 P 15V0 REG IS V1	1	4597	22AWG STRAN TC WIR JMP	6	3399	THERMO/BRKR:N/CLOSED OPEN@96C	1
6857	NJM7915FA TO220 N 15V0 REG IS V2	1	4599	22AWG SOLID SC WIR T&R JMP	23	8468	VELCRO STRAP 3/4"X22CM (VELSTRAP)	1
5101	BC550C TO92 NPN TRAN T&R TB	9	5299	24AWG SOLID SC WIR RAD JMP	23	1287	PPW/EPW 120VAC 60HZ T'RD	1
5102	BC560C TO92 PNP TRANSISTOR T&R TB	5	4745	5.0W 0R1 5% BLK RES	6			
5109	MPSA43 TO92 NPN TRAN TA	10	4688	1/2W 2R2 5% T&R RES	4			
5114	MPSA92 TO92 PNP TRAN T&R TA	14	4748	2.0W 3R9 5% T&R	4			
5119	2N5638 TO92 NCH JFET T&R TC	4	4675	1/2W 10R 5% T&R RES	2			
6928	IRFP250 TO247 NCH MFET TM	6	2013	1/8W 22R1 1%FLAME PROOF T&R RES	2			
6991	MJL21193 TO3P PNP TRAN TK	2	2019	1/8W 100R0 1%FLAME PROOF T&R RES	2			
6882	TL072CP IC FET DUAL OP AMP	4	4921	1/4W 100R 5% .2"U T&R RES	6			
6884	NE5532N IC DUAL OP AMP	1	4909	1/4W 200R 5% T&R RES	2			
6745	LM13600N IC XCONDUCTANCE AMP	1	4932	1/4W 200R 5% .2"U T&R RES	8			
6470	MAC15A6FP TO220 15A TRIAC 400V	2	4857	1/4W 220R 5% T&R RES	4			
6472	4K7 3% 0W0 THERMISTOR	2	2024	1/8W 249R 2%FLAME PROOF T&R RES	4			
6473	68K 3% 0W0 THERMISTOR	4	2025	1/8W 274R 1%FLAME PROOF T&R RES	4			
6482	115R 20% 0W0 PTC THERMISTOR	2	2028	1/8W 475R 1%FLAME PROOF T&R RES	4			
5405	.27P 200V 5%CAP T&R RAD CER.2"NPO	2	4933	1/4W 470R 5% .2"U T&R RES	2			
5199	100P 100V 2%CAP T&R RAD CER.2"NPO	4	2030	1/8W 681R 1%FLAME PROOF T&R RES	2			
5197	220P 100V 2%CAP T&R RAD CER.2"NPO	2	4923	1/4W 680R 5% .2"U T&R RES	3			
5201	470P 100V 5%CAP T&R RAD CER.2"NPO	10	4758	1/4W 953R 1% T&R RES	8			
5816	680P 100V 5%CAP T&R RAD CER.2"NPO	2	4823	1/4W 1K 5% T&R RES	3			
5275	.3N3 100V 5%CAP T&R RAD .2"FLM	6	4934	1/4W 1K 5% .2"U T&R RES	1			
5209	.4N7 250V 5%CAP T&R RAD .2"FLM	2	4854	1/4W 1K2 5% T&R RES	1			
6451	.4N7 250V 20%CAP BLK 'Y' 10MM AC	1	4824	1/4W 1K5 5% T&R RES	2			
5840	.22N 400V 10%CAP BLK RAD POLY FLM	1	4936	1/4W 2K7 5% .2"U T&R RES	10			
6435	.22N 275V 20%CAP BLK 'X2' 15MM AC	1	4764	1/4W 2K740 0.1%*** T&R RES	2			
5224	.47N 100V 10%CAP T&R RAD .2"FLM	3	4826	1/4W 3K3 5% T&R RES	1			
5228	100N 100V 5%CAP T&R RAD .2"FLM	17	4827	1/4W 4K7 5% T&R RES	1			
5314	100N 50V 10%CAP T&R BEAD X7R	1	4943	1/4W 4K7 5% .2"U T&R RES	5			
5231	220N 63V 10%CAP T&R RAD .2"FLM	7	4939	1/4W 5K1 5% .2"U T&R RES	2			
5318	220N 50V 10%CAP T&R BEAD X7R	1	4685	1.0W 5K6 5% T&R RES	2			
5259	.4U7 63V 20%CAP T&R RAD .2"EL	2	4862	1/4W 5K6 5% T&R RES	8			
5281	.10U 16V 20%CAP T&R RAD .2"NP	4	4762	1/4W 9K760 0.1%*** T&R RES	2			
5945	.10U 63V 20%CAP T&R RAD .2"EL	2	4829	1/4W 10K 5% T&R RES	5			
5260	.22U 50V 20%CAP T&R RAD .2"EL	6	4940	1/4W 10K 5% .2"U T&R RES	8			
5961	.33U 16V 20%CAP T&R RAD .2"NP	6	4630	1/2W 15K 5% T&R RES	3			
5265	.68U 25V 20%CAP T&R RAD .2"EL	5	4830	1/4W 15K 5% T&R RES	1			
5267	100U 25V 20%CAP T&R RAD .2"EL	1	4832	1/4W 22K 5% T&R RES	6			
5914	100U 63V 20%CAP BLK 10X13MM EL	2	4941	1/4W 30K 5% .2"U T&R RES	8			
5621	470U 63V 20%CAP BLK 12X25MM EL	4	4917	1/4W 31K6 1% T&R RES	6			
5859	4700U 50V 20%CAP BLK 25X36MM ELS	2	4840	1/4W 33K 5% T&R RES	5			
5890	5600U 100V 20%CAP RAD 35X50MM ELS	4	4947	1/4W 33K 5% .2"U T&R RES	1			
4403	.10K 5B LIN 16MM P14	1	4878	1/4W 43K 5% T&R RES	2			
3819	.5UH COIL 18AWG R000 AIR CORE	2	4835	1/4W 56K 5% T&R RES	2			
8545	RECESSED RUBBER BUMPER WITH WASHER	2	4836	1/4W 68K 5% T&R RES	1			
8579	4000 SERIES RIGID CASTER	2	4772	1/4W 82K5 1% T&R RES	6			
3489	CLIP 250X032 18-22AWG DISCO/INSL	1	4838	1/4W 100K 5% T&R RES	4			
3490	CLIP 250X032 14-16AWG DISCO/INSL	6	4841	1/4W 220K 5% T&R RES	5			
3491	CLIP 205/187X020 18-22AWG DISCO/INS	4	4842	1/4W 330K 5% T&R RES	1			
3494	CLIP 205/187X020 14-16AWG DISCO/INS	1	4843	1/4W 470K 5% T&R RES	2			
3601	RING TERMINAL 16AWG WIRE & #8 SCREW	1	4844	1/4W 1M 5% T&R RES	4			
3682	250 MALE PCB TAB REEL	10	4888	1/4W 4M7 5% T&R RES	1			
3498	1/4" JCK PCB MT HORZ	4	3608	10" 9C-24AWG RIBBON HITMP 0.1"	1			
3451	EYELET SMALL 0.089 OD PLATED	58	8742	4-40 X 3/8 PAN PH TAPTITE JS500	18			
3412	LOWPROFILE FUSEHOLDER FOR .25X1.25	1	8799	#6 X 1/4 PAN PH TYPE B JS500	1			
3414	INTERNATIONAL PC MOUNT FUSEHOLDER	8	8832	6-32 X 1/4 PAN PH TAPTITE JS500	2			
2427	5.0 AMP SLO-BLO .25X1.25 FUSE	1	8801	6-32 X 3/8 PAN PH TAPTITE JS500	2			
2438	12.0 AMP SLO-BLO .25X1.25 FUSE	4	8823	6-32 X 1 PAN PH TAPTITE JS500	9			
8560	POCKET HANDLE, PLASTIC, RECTANGULAR	2	8998	6-32 X 1 FLAT PH MS ZINC CLEAR	4			
8604	10-32 T NUT	16	8812	#6 X 1 1/8 FLAT SQ. SOCKT CLEAR ZNC	10			
3501	B52200F006 COMP WASH #4 SMALL	2	8803	8-32 X 3/8 PAN QUAD TAPTITE JS500	4			
3556	XSISTOR HOLD SPRING-BAR (PLATED)	4	8785	#8 X 3/4 OVAL PH TYPE A BLACK OXIDE	5			
3800	BELLY BUTTON #BB1 CORDS CANADA	8	8815	8-32 X 3/4 PAN PH TAPTITE JS500	6			
3862	SIL PAD 400 1.5X6.75	2	8875	#8 X 1 1/2 PAN PH TYPE A JS500	6			
3795	#8 GROUND LUG ZIERACK 505-169	1	8749	10-32 X 1/2 QDX PH TAPTITE JS500	2			
3803	NYLON SECUR-A-TACH MINI PLASTIC TIE	1	8707	#10 X 7/8 (#8 HEAD)FLAT PHIL TYPE A	16			
3810	4" NYLON CABLE TIE	18	8727	#10 X 1" PAN PH TYPE A JS500 BLACK	16			
8661	BUTTON KNOB FLAT GREY	2	8786	10-32 X 1 1/4 PAN QD MS JS500 BLACK	16			

A

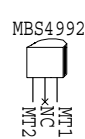
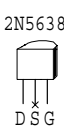
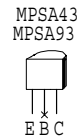
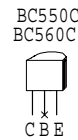
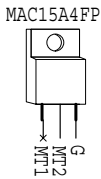
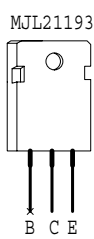
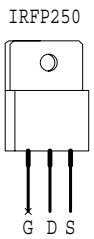


SERVICE WARNING: POTENTIALS GREATER THAN 130VDC PRESENT.

USE EXTREME CAUTION.

- NEG_IN_R
- POS_IN_R
- CLIP_R
- GND
- GND
- CLIP_L
- POS_IN_L
- NEG_IN_L

CONNECTIONS TO THE LEFT CHAN AMPLIFIER



YORKVILLE	DATE: MAR/30/98	MODELS: BS700P PS218P	SCH ISSUE: 1.40
	NAME: M508A.SCH	PCB#AVER: M508	TITLE: PWR_AMP

M508A /ES700P/PS218/PS210P PRODUCTION NOTES

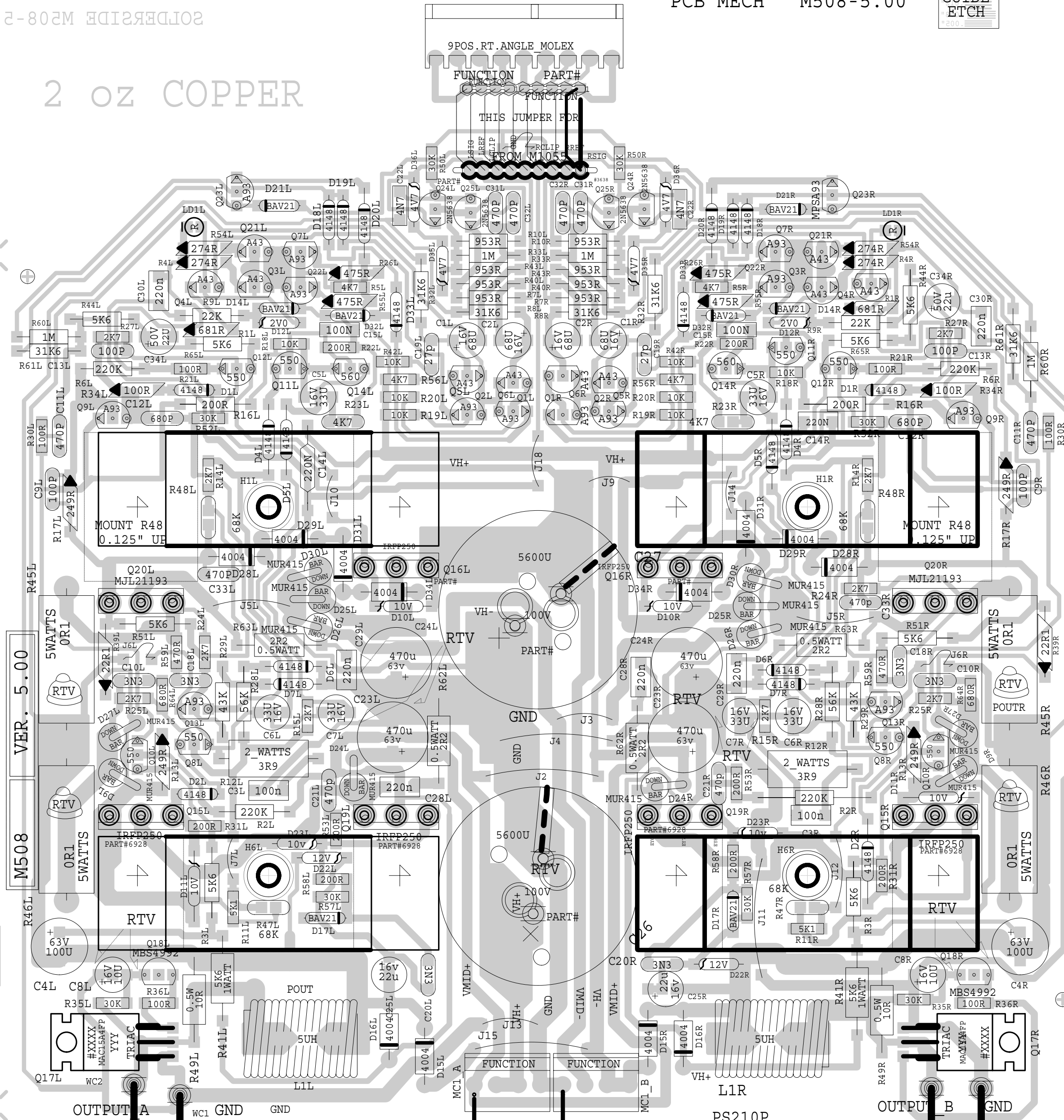
2 oz COPPER

AUTO-INSERTION

1. Q1L/Q1R, Q2L/Q2R
THE ABOVE TRANSISTORS MUST BE FROM THE SAME BATCH (MANUFACTURERS LOT #)

BOARD ASSEMBLY

1. ADD RTV TO THE FOLLOWING COMPONENTS
C34L/R, C5L/R, C1L/R, C2L/R, L1L/R
R45L/R, R46L/R, C6L/R, C8L/R, C25L/R
ADD RTV BETWEEN C23L/R , C24L/R AND C7L/R,C26L/R.
2. LD1L/R ARE BENT OVER FLAT TO PCB AND RTV'D IN PLACE
3. C26 AND C27 ARE BROKEN AWAY AFTER WAVE SOLDER AND SOLDERED MANUALLY TO THEIR CORRECT POSITION. THESE CAPS ARE RTV'D AND HELD IN POSITION WITH NYLON CABLE TIES.
4. ADD RTV UNDER THE MOLEX RIBBON CABLE BEFORE IT IS PUT INTO THE STRAIN RELIEF.
5. ADD TOOTH PICKS TO EYELETS BEFORE WAVE SOLDER.
6. USE #8799 SCREW TO MOUNT Q17L/R.
7. BEND THERMISTORS R23L/R OVER FLAT TO PCB.



BLANK SIZE=17.35"X8.625"

M508 VER. 5.00

M200-2.00

M508/A/C.PCB DATABASE HISTORY			
MODEL(S) :- ES700P PS218 PS210PX			
#	DATE	VER#	DESCRIPTION OF CHANGE
1	FEB/24/95	3.40	SOME TRACES ALTERED.PADS FOR MOLEX CHANGED FROM S100 TO R120.
2	.	.	ROUTING BY FILTER CAPS CHANGED.
3	AUG/27/97	4.00	PC#XXXX FILTER CAPS CHANGED
4	SEP/05/97	.	PC#4409 Q11R MOVED
5	MAR/25/98	5.00	PC#XXXX Q1L/R Q2L/R MOVED
6			J10_RADIAL->AXIAL
7			N
8			N
9			N
10			N
11			N
12			N
13			N
14			N
15			N
16			N
17			N
18			N
19			N
20			N

PS210P ES700P PS218P

250 CLIP 250 CLIP 250 CLIP

12" BLACK 9" GREEN 9" GREEN

12" RED 30" RED 9 1/2" RED

NO CLIP #3491 CLIP NO CLIP

PS210P

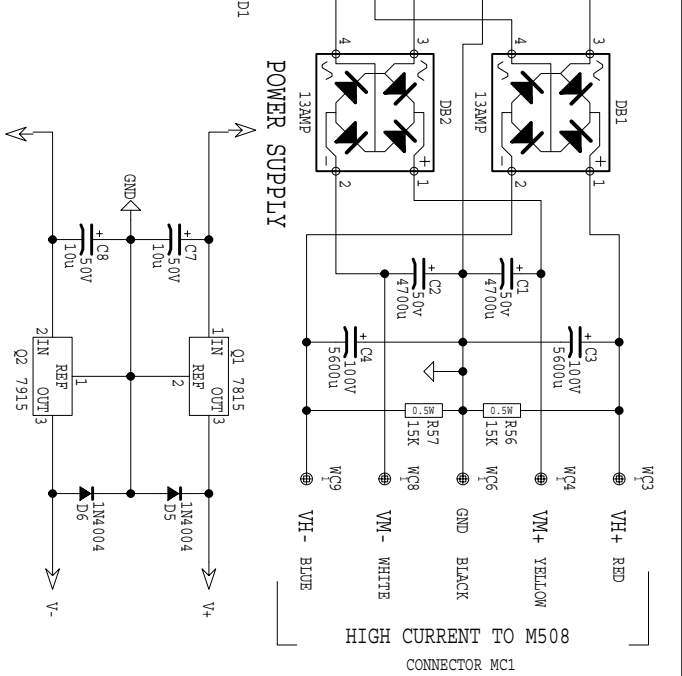
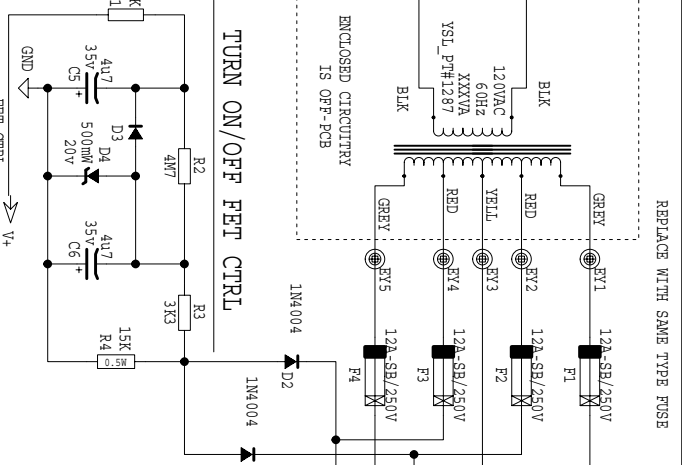
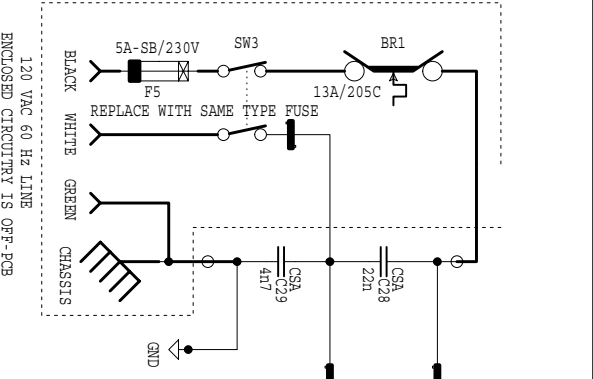
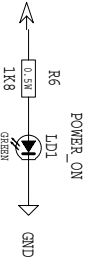
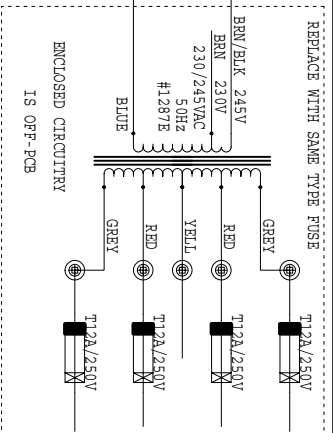
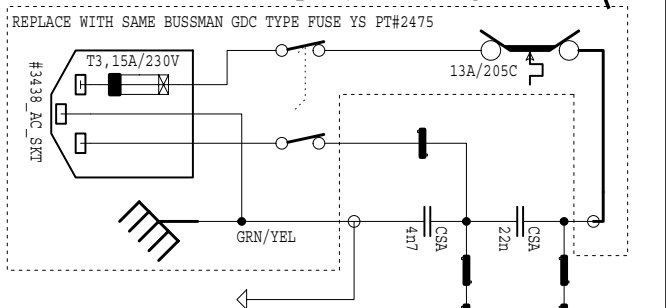
27" RED #3491 CLIP

27" BLACK #3491 CLIP

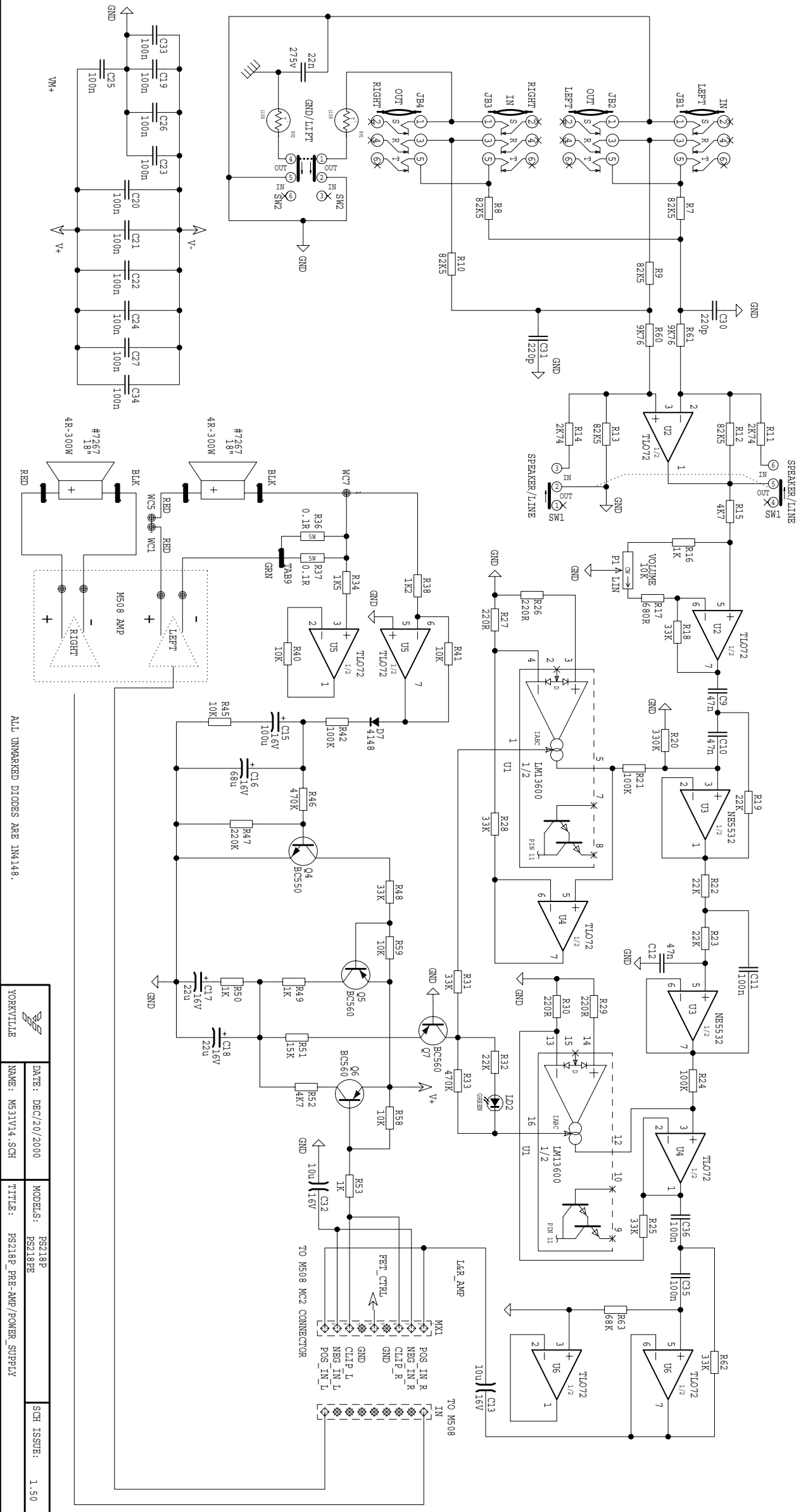
PS218P ES700P

33" RED #3491 CLIP

33" BLACK #3491 CLIP



HIGH CURRENT TO M508
CONNECTOR MC1



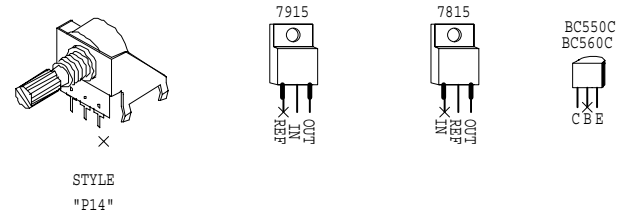
ALL UNMARKED DIODES ARE 1N4148.

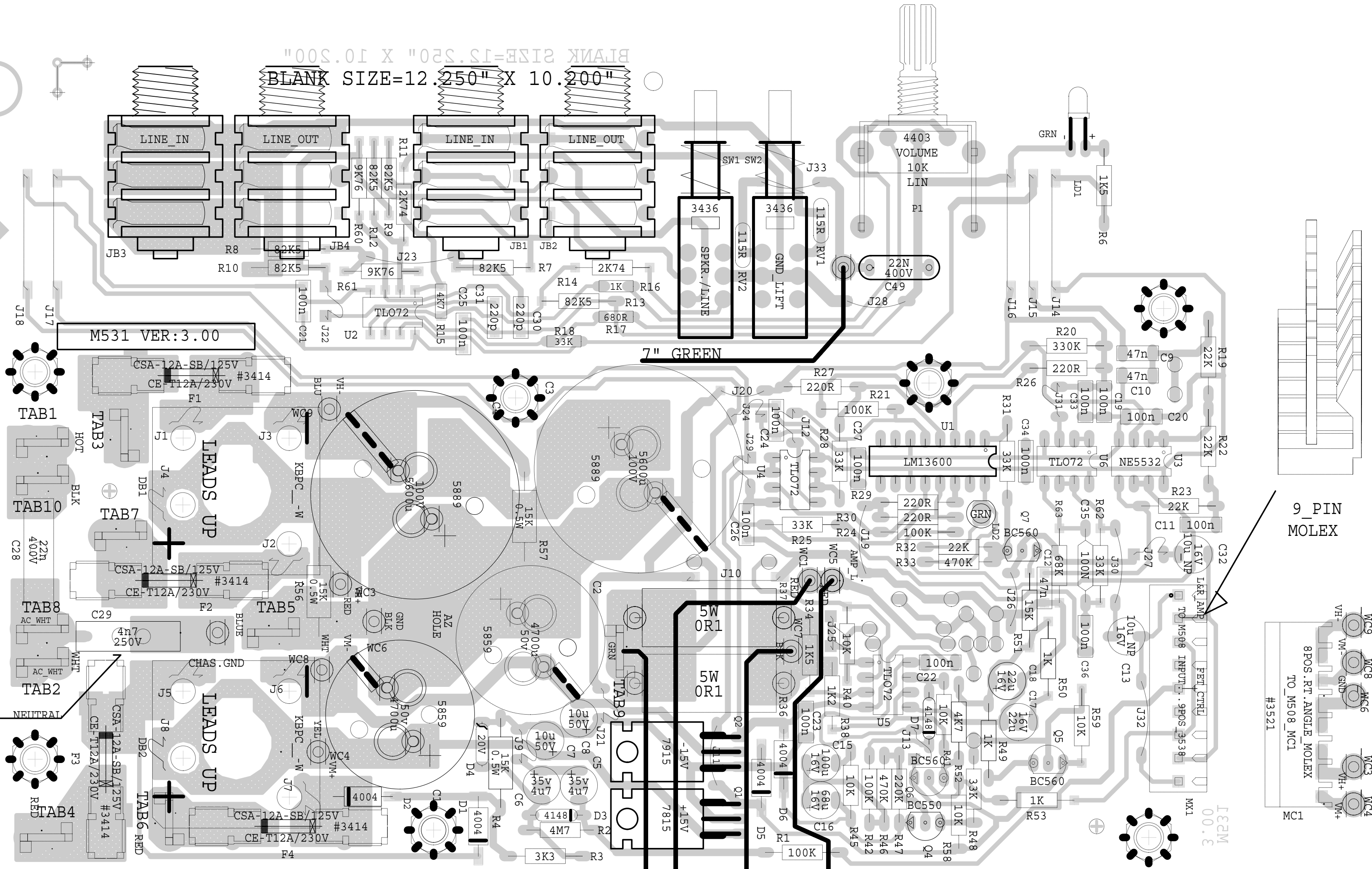
DATE: DEC/20/2000	MODELS: PS218P	SCH ISSUE: 1.50
NAME: M531V14.SCH	TITLE: PS218P_PRR-AMP/POWER_SUPPLY	
YORKVILLE		

M531.SCH DATABASE HISTORY

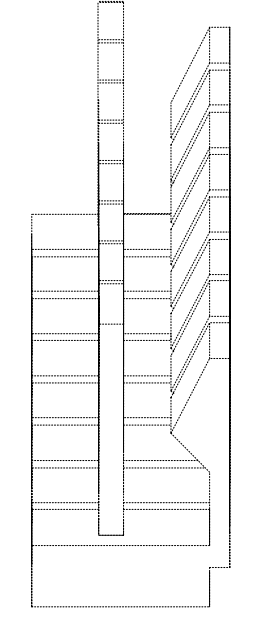
#	DATE	VER#	DESCRIPTION OF CHANGE
1	JAN/31/97		FIRST PROTYPE
2	MAR/12/97		R38 1K-->2K2 U5A NOT USED MX1_ALTRD
3	MAR/25/97		PC#5349 U3 TL072-->NE5532
4	MAY/30/97	1.10	PC#5391 R38 2K2->1K2
5	JUN/26/97		CORRECTIONS TO CLARIFY
6	AUG/06/98	1.20	PC#5785 PRIMARY FUSE CE_T5A->T2,5A
7			NA 8A-SB->5A-SB
8	OCT/27/98	1.30	PC#5867 R51 33K->15K
9	JAN/25/99	1.40	CE XFMR WIRE COLOURS UPDATED
10	DEC/20/00	1.50	PC#6314_CE_FUSE_T,5A->T3,15

PRODUCTION NOTES

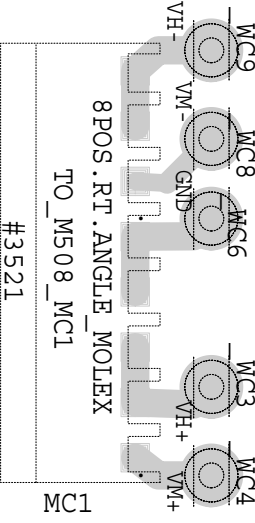




PCBMECH M531-3.00
 ASSEMBLY M531-3.00



9_PIN MOLEX



8 POS .RT. ANGLE MOLEX TO M508 MC1 #3521

M531.PCB_DATABASE_HISTORY

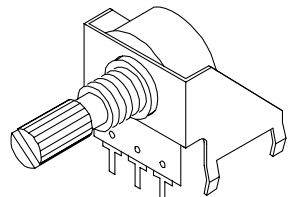
MODEL(S) :- PS218P

#	DATE	VER#	DESCRIPTION OF CHANGE
1	FEB/97	1.P1	1ST PROTOTYPE
2	FEB/17/97	1.P2	AMP-INS REPLACED BY EYELETS
3	MAR/12/97	.	R38 1K->2K2 R35,R39,R43,C14,D8,Q3
4	.	.	DELETED POLARITY_L&R_AT_MX1
5	.	.	REVERSED
6	MAR/25/97	1.P3	PC#5349 U3 TL072-->NE5532
7	APR/23/97	1.00	FIRST PRODUCTION
8	MAY/30/97	1.01	PC#5391 R38 2K2->1K2
9	OCT/27/98	1.02	PC#5867 R51 33K->15K
10	OCT/06/99	2.00	PC#6130 MOVE R3 AWAY FROM R2
11	.	.	PC#6109 REDO GND LIFT SW ADD C33
12	JUL/02/02	3.00	PC#6179 REMOVE COPPER_ATJ4,J8
13	.	.	NEW_PADS_FOR_TABS
14	D	V	N
15	D	V	N

PRODUCTION NOTES
 FOR Q1 Q2 USE #8742 THREAD-FORMING WITH A #3501 BELL WASHER

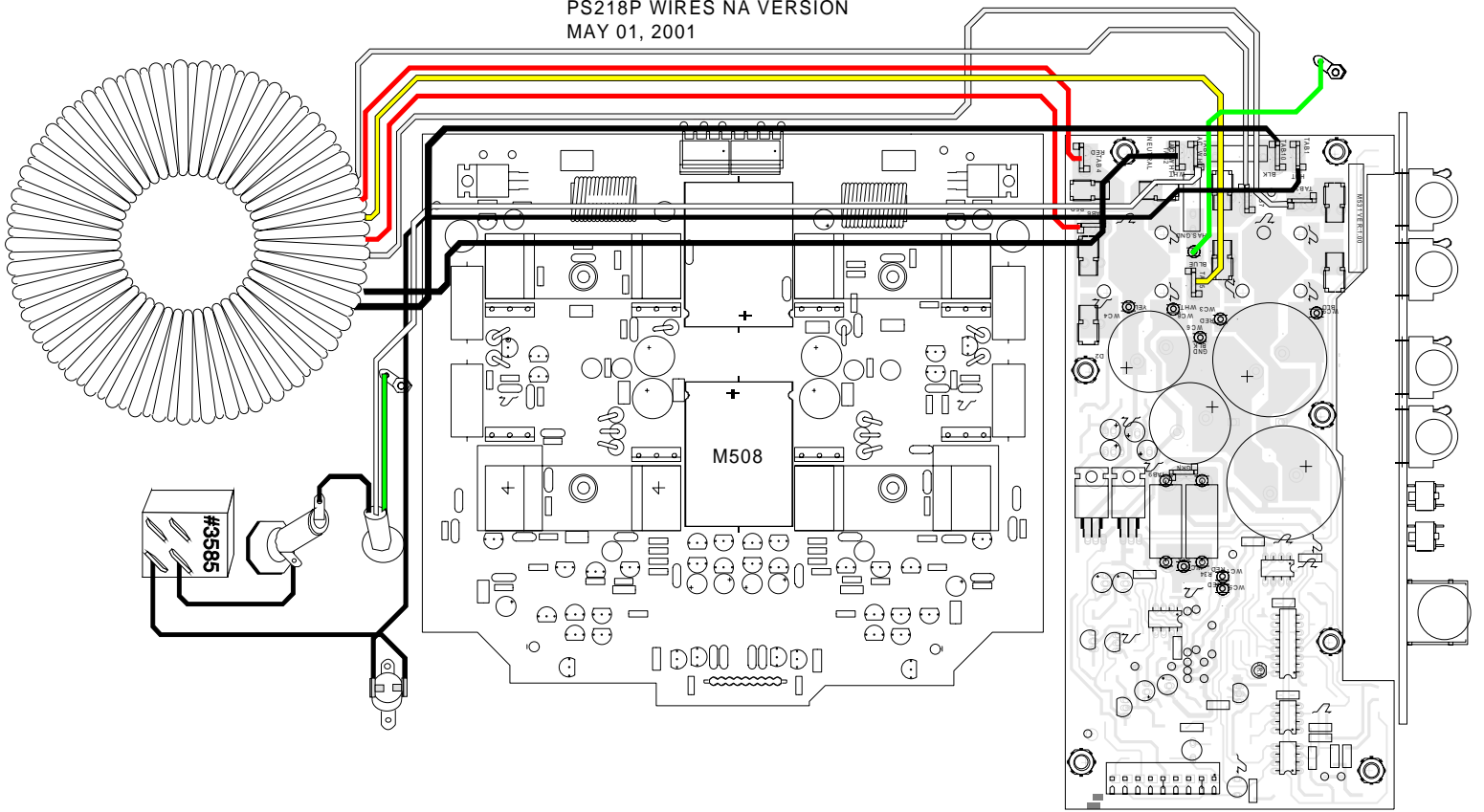
INSERT 35" SPKR WIRES
 BLK TO WC7
 RED TO WC5

THESE WIRES ARE FOR WIRING DEPT ONLY



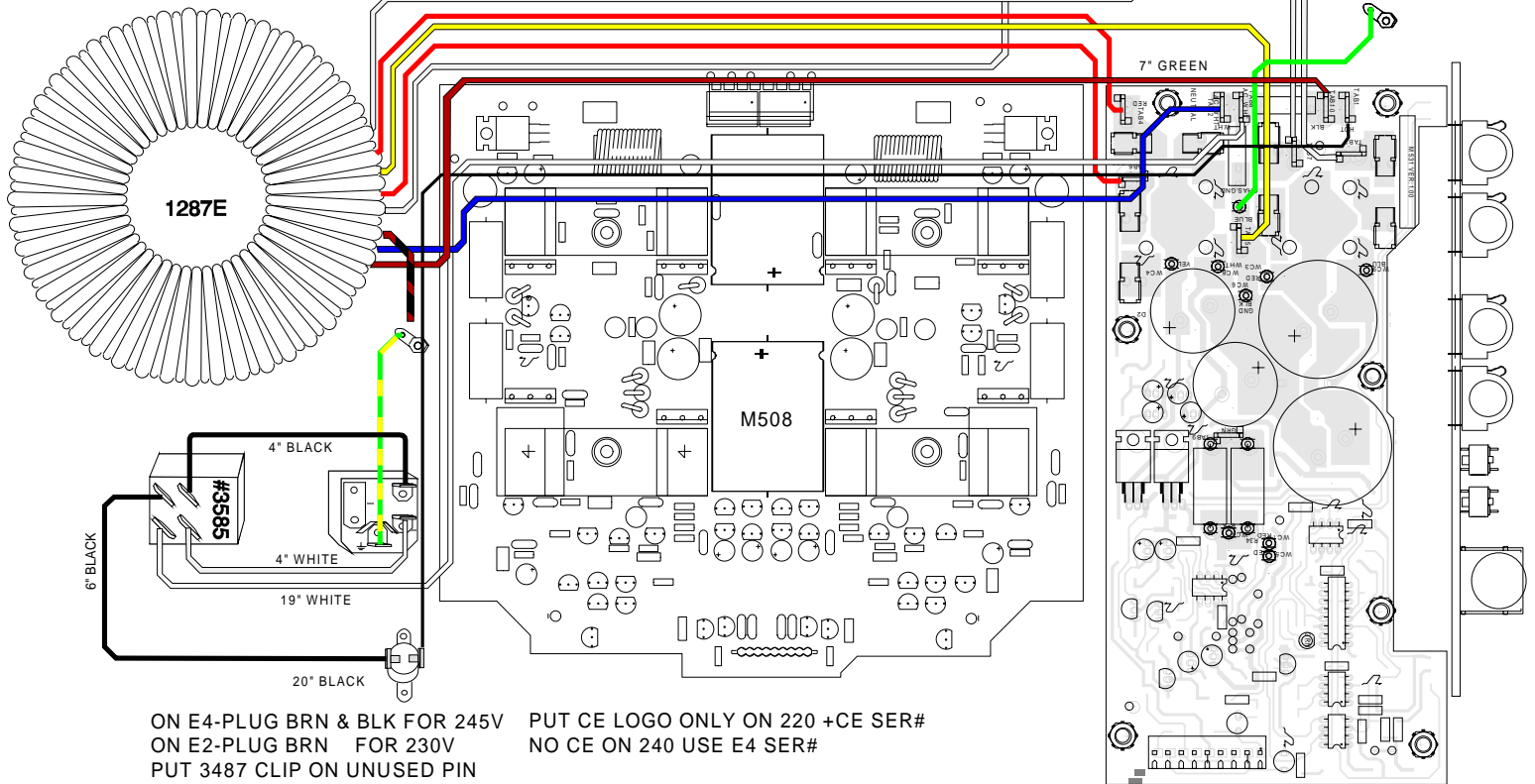
STYLE "P14"

PS218P WIRES NA VERSION
MAY 01, 2001



SHOWN WIRED FOR 230V

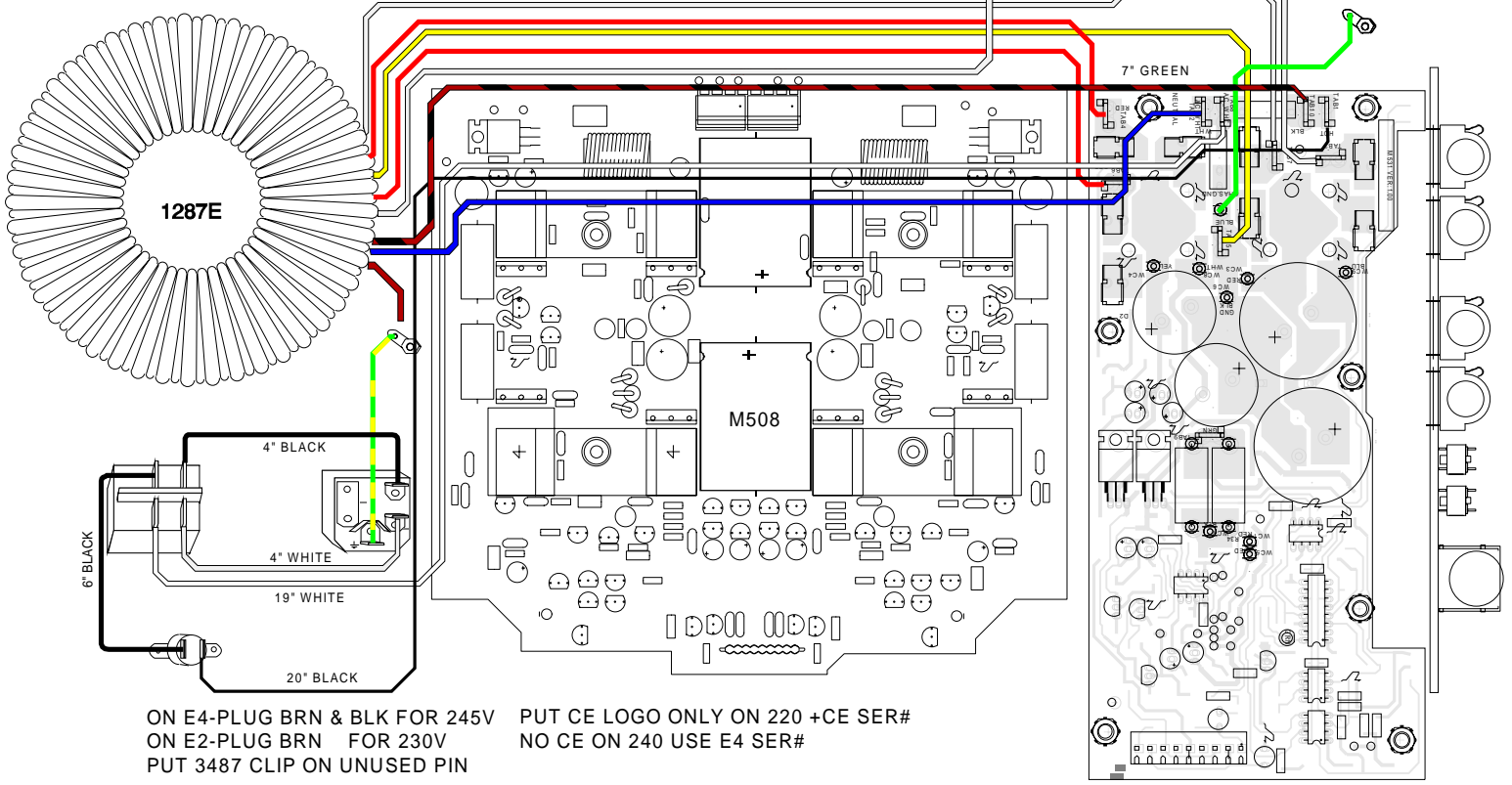
PS218P WIRES CE VERSION
MAY 01, 2001



ON E4-PLUG BRN & BLK FOR 245V
 ON E2-PLUG BRN FOR 230V
 PUT 3487 CLIP ON UNUSED PIN

PUT CE LOGO ONLY ON 220 +CE SER#
 NO CE ON 240 USE E4 SER#

SHOWN WIRED FOR 245V PS218P WIRES CE VERSION
MAY 01, 2001



ON E4-PLUG BRN & BLK FOR 245V PUT CE LOGO ONLY ON 220 +CE SER#
 ON E2-PLUG BRN FOR 230V NO CE ON 240 USE E4 SER#
 PUT 3487 CLIP ON UNUSED PIN