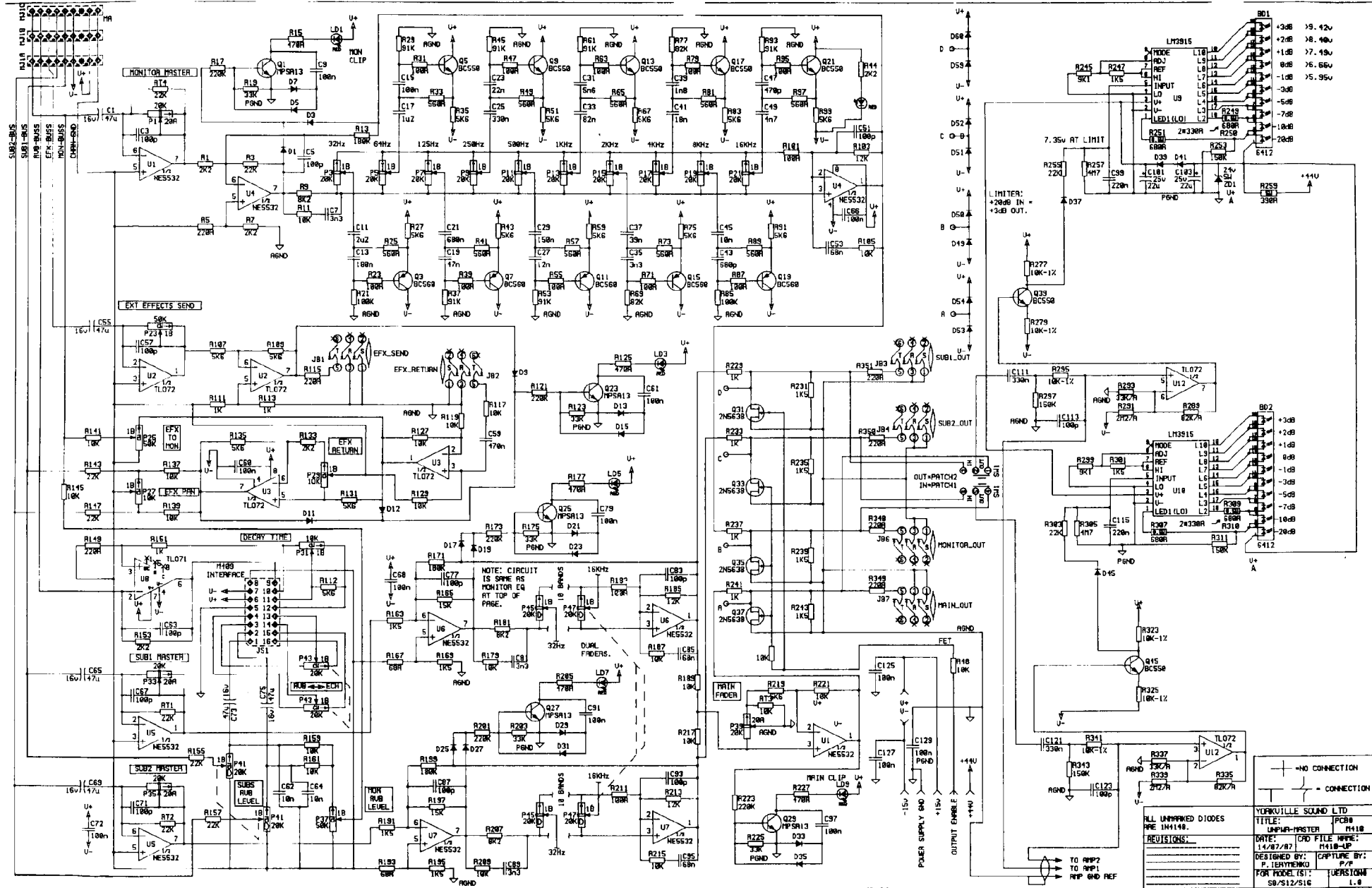


AUDIOPRO MICROMIX

S-SERIES

SERVICE

OWNERS MANUAL



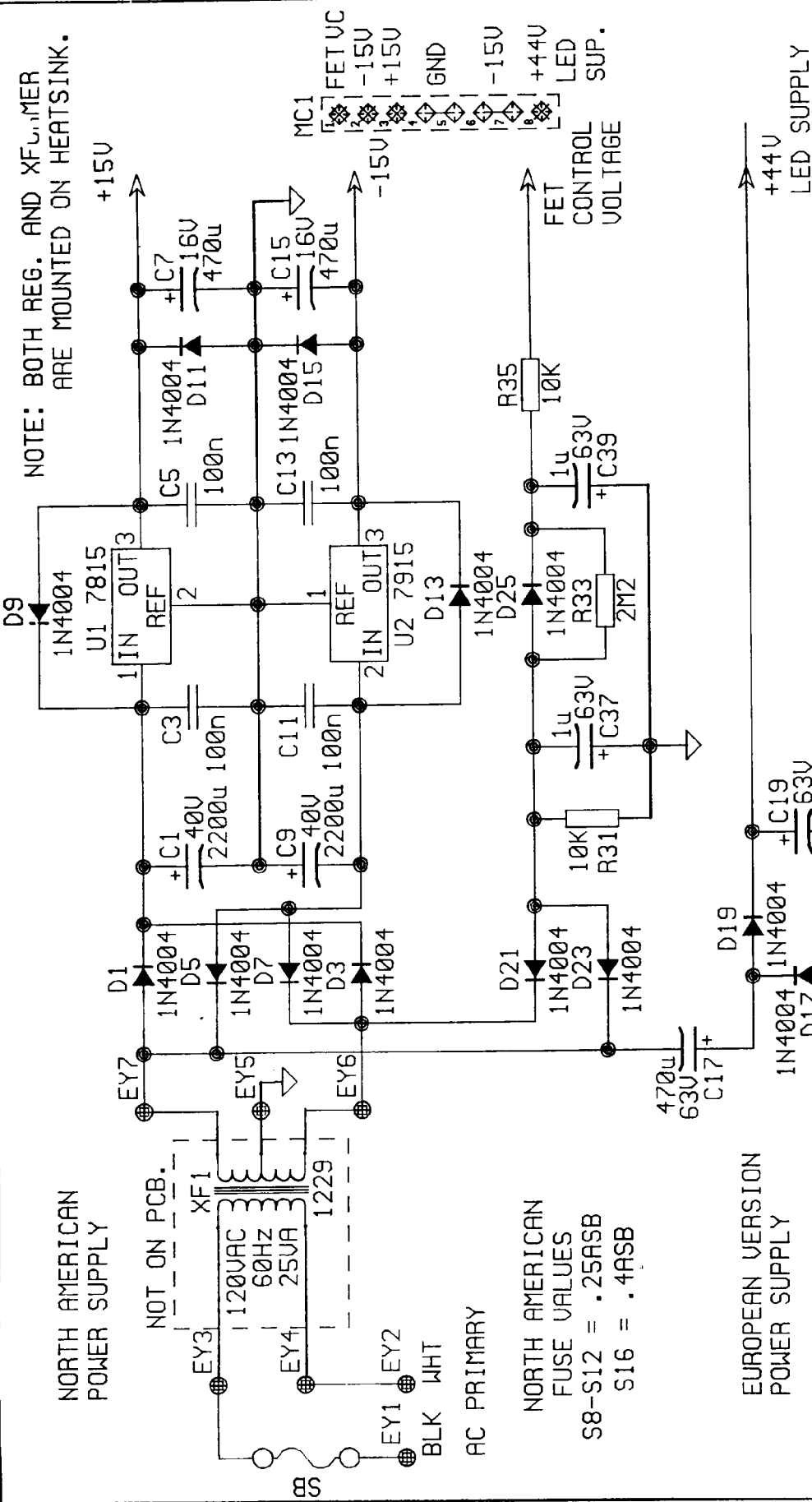
ALL UNMARKED DIODES ARE 1N4148.
 REVISIONS:
 DESIGNED BY: P. LEVYENKO
 FOR MODEL(S): SB/S12/S16

YORKVILLE SOUND LTD
 TITLE: LAPAR MASTER PCB
 DATE: 14/07/87
 CAPTURE BY: M11B-UP
 LAYER(S): URSSTON L1.0

+ NO CONNECTION
 - CONNECTION

TO AMP2
 TO AMP1
 AMP GND REF

NOTE: BOTH REG. AND XF₁ MER
ARE MOUNTED ON HEATSINK.



NORTH AMERICAN
POWER SUPPLY

NOT ON PCB.
XF₁

120VAC
60HZ
25VA

1229

EY1 EY2
BLK WHT
AC PRIMARY

NORTH AMERICAN
FUSE VALUES
S8-S12 = .25ASB
S16 = .4ASB

EUROPEAN VERSION
POWER SUPPLY

NOT ON PCB.
EY3

220VAC
50HZ
25VA

1228

EY1 EY2
BLK WHT

YORKVILLE SOUND LTD	
TITLE:	POWER SUPPLY
PCB#	M414
DATE:	27/09/88
CAD FILE NAME:	M414V11.SCH
DESIGNED BY:	R. PARENTEAU
PFI. & C.P.	
FOR MODEL(S):	S8/S12/S16
VERSION#	1.1

REVISIONS:

